

RECORD OF PROCEEDINGS  
OF THE  
BOARD OF TRUSTEES  
OF THE  
OHIO STATE UNIVERSITY

COLUMBUS

July 1, 1973 to June 30, 1974

1973-1974

THE OHIO STATE UNIVERSITY

HAROLD L. ENARSON, *President*

BOARD OF TRUSTEES

	<i>Term Beginning</i>	<i>Term Expiring</i>
JAMES W. SHOCKNESSY, Columbus	August 2, 1965	May 13, 1974
DON M. HILLIKER, Bellefontaine	January 15, 1967	May 13, 1975
WILLIAM C. SAFFORD, Cincinnati	May 14, 1967	May 13, 1976
JOHN H. DUNLAP, Williamsport	May 14, 1968	May 13, 1977
M. MERLE HARROD, Wapakoneta	September 2, 1969	May 13, 1978
JOHN L. GUSHMAN, Lancaster	December 11, 1970	May 13, 1979
HOWARD D. SIRAK, Columbus	May 19, 1971	May 13, 1980
PATRICIA D. JAMES, Cleveland	July 18, 1972	May 13, 1981
CHESTER DEVENOW, Toledo	May 14, 1973	May 13, 1982
JOHN W. KESSLER, Columbus	May 14, 1974	May 13, 1983

OFFICERS

DON M. HILLIKER, *Chairman*  
WILLIAM C. SAFFORD, *Vice Chairman*  
EDWARD Q. MOULTON, *Secretary*  
ERNEST W. LEGGETT, *Treasurer*



THE OHIO STATE UNIVERSITY  
OFFICIAL PROCEEDINGS OF THE  
ONE THOUSAND AND EIGHTY-EIGHTH MEETING  
OF THE BOARD OF TRUSTEES

Columbus, Ohio, July 6, 1973

The Board of Trustees met at its regular monthly meeting on Friday, July 6, 1973, at The Ohio State University Fawcett Center for Tomorrow, Columbus, Ohio, pursuant to adjournment.

Present: Don M. Hilliker, Chairman, James W. Shocknessy, William C. Safford, John H. Dunlap, M. Merle Harrod, John L. Gushman, Howard D. Sirak, Patricia D. James, and Chester Devenow.

\* \* \*

Minutes of the last meeting were approved.

\* \* \*

July 6, 1973 meeting, Board of Trustees

RESOLUTIONS IN MEMORIAM

President Enarson reported to the Board the deaths of Ely E. Bell, Professor in the Department of Physics; and Charles C. Callahan, Professor in the College of Law. In accordance with the instructions of the Board of Trustees, copies of the following resolutions expressing on behalf of the University the sorrow and sympathy of the Board will be furnished the families of the deceased.

A. Ely E. Bell

The Board of Trustees of The Ohio State University expresses its sorrow at the death on June 20, 1973, of Ely E. Bell, Professor of Physics.

Dr. Bell was born in Trinidad, Colorado, on December 26, 1915. He received his bachelor's and master's degrees from the University of Colorado in 1938 and 1940 respectively and his doctoral degree in physics from The Ohio State University in 1947.

Dr. Bell began his service to The Ohio State University in 1942 as an Instructor in the Department of Electrical Engineering. He was a National Research Council Pre-doctoral Fellow in Physics at Ohio State in 1946-47 and became an Instructor in Physics in 1947. He was promoted to Assistant Professor in 1949, to Associate Professor in 1955, and to Professor in 1960. During the year 1952-53 he was on leave as a physicist at the U. S. Naval Research Laboratory, and in 1968-69 he held the Merton Professorship as Distinguished Visiting Professor at the University of Freiburg in Germany.

Dr. Bell's forty-four published papers and his international reputation in the field of molecular spectroscopy and infrared instrumentation attest to the important contributions he made to his chosen fields of research. He was a member of the American Physical Society, Phi Beta Kappa, and Sigma Xi.

Dr. Bell had a strong and vital interest in students as people, and he enjoyed teaching and working with them at all levels - from freshmen to graduate students. His recent contributions to the generation of new introductory courses in physics for students with no background in science were important ones and illustrative of his concerns as a scholar and teacher.

On behalf of the University, the Board of Trustees expresses to his family its deep sympathy and sense of understanding in its loss. It was directed that this resolution be inscribed upon the minutes of the Board of Trustees and that a copy be tendered to the family as a humble expression of the Board's heartfelt sympathy in its bereavement.

July 6, 1973 meeting, Board of Trustees

RESOLUTIONS IN MEMORIAM (continued)

B. Charles C. Callahan

The Board of Trustees expresses its sorrow at the death on June 18, 1973, of Charles C. Callahan, Professor in the College of Law.

Professor Callahan was an outstanding teacher and a leading expert in the field of Property Law. He published a number of noteworthy books and articles and contributed chapters to Encyclopaedia Britannica and American Jurisprudence. He also taught Insurance and Evidence.

A native of Jackson, Ohio, Professor Callahan graduated from The Ohio State University College of Law in 1934 with the degree Juris Doctor (summa cum laude). He practiced briefly in Wellston, Ohio, and was then a Sterling Fellow and Research Assistant at the Yale Law School, from which he received the J. S. D. degree in 1937. He was Assistant Professor of Law at the Yale Law School from 1939 to 1943. He then joined the faculty of The Ohio State University College of Law and remained in its service until his death. He was widely known and respected among lawyers in Ohio and throughout the Nation and devoted himself unselfishly to his profession. Administrators and colleagues found in him a wise, sympathetic and steady co-worker. His passing leaves a void in the College of Law and The Ohio State University.

Professor Callahan was a man of many interests. He played the piano, violin and bass viol and enjoyed both jazz and classical music. He was also an accomplished amateur photographer and did bookbinding and woodworking in his spare time.

In 1971 Professor Callahan was honored by alumni of the College of Law with their Distinguished Alumnus Award, becoming only the eighth graduate of the College to be so recognized. It was then estimated that he had taught more than 3,000 graduates of the College. His portrait hangs in the Alumni Lounge of the College with the select group of statesmen and civic and professional leaders who have been similarly honored.

On behalf of the University, the Board of Trustees expresses to the family its deep sympathy and sense of understanding in its loss. It was directed that this resolution be inscribed upon the minutes of the Board of Trustees and that a copy be tendered to the family as a humble expression of the Board's heartfelt sympathy in its bereavement.

\*

\*

\*

July 6, 1973 meeting, Board of Trustees

President Enarson presented the following recommendations:

I. GENERAL RECOMMENDATIONS

A. Degrees and Certificates Conferred--Summer Quarter Commencement

President Enarson recommended that degrees and certificates be conferred at the Summer Quarter Commencement Convocation on August 31, 1973, to those students who have completed the requirements for their respective degrees and certificates and are recommended by the University Senate. The names of those awarded degrees and certificates will be included in the minutes of this meeting. (See Appendix I, page 51.)

Upon motion of Mr. Shocknessy, seconded by Mr. Devenow, the Board of Trustees approved the foregoing recommendation by unanimous voice vote.

B. Distinguished Service Awards

Serving as a Committee on Distinguished Service Awards, the President's Cabinet has nominated and recommended for approval by the Board of Trustees, the following-named persons to receive the Distinguished Service Award at the August 31, 1973 Commencement. These awards are given in recognition of distinguished service to The Ohio State University and the awards are in accordance with action taken by the Board of Trustees in 1952.

Harold P. Fawcett  
Alfred B. Garrett  
John H. Herrick  
Frederick Stecker

Upon motion of Mr. Harrod, seconded by Mr. Safford, the Board of Trustees approved the foregoing recommendation by unanimous voice vote.

C. Fee Schedule, Effective Autumn Quarter, 1973

President Enarson made the following statement on fees for evening and part-time students:

Along with all major urban universities in the country, The Ohio State University needs to turn on the lights and open its doors to the non-traditional, the evening and part-time student. No longer can we--or should we--seek to appeal only to the typical undergraduate or graduate student.

Effective this autumn quarter, Ohio State will make it possible for a part-time student to earn a degree entirely during evening hours. And it will be economically feasible for him to do so, with fees charged on a sliding scale per credit hour, rather than on the current fee structure.

July 6, 1973 meeting, Board of Trustees

I. GENERAL RECOMMENDATIONS (continued)

C. Fee Schedule, Effective Autumn Quarter, 1973 (continued)

President Enarson's statement (continued)

This extension of the existing evening program will be of particular benefit to those in Central Ohio who are employed or otherwise occupied during the day but want to pursue a degree after 5:00 p.m. The emphasis will be on making the University's courses and services as convenient and accessible as possible.

We think these new opportunities will be especially appealing to several groups. The person on a job who has not attended college before will now be able to begin and complete a degree after working hours. The college graduate who may want to change careers, or obtain a master's degree for advancement in his present field, will be able to do so. Homemakers and others who started college but did not finish may now complete their degree. And students who are presently enrolled will welcome the flexibility of evening courses so that they can fit part-time employment into their schedules more easily.

Initially, undergraduate degree programs will be available in eleven fields--English, history, political science, psychology, sociology, social science, business administration, electrical engineering, mechanical engineering, computer and information science, and theatre.

Master's degrees will be available in six fields--English, history, journalism, business administration, music education, and art education. The possibility of M. A. programs in classics, French, German, and Spanish is being considered also and will depend upon whether sufficient demand exists.

All evening courses will continue to be exactly the same as their daytime counterparts. However, administrative procedures will be streamlined to make it as easy as possible for the evening student to be admitted, to schedule classes, and to receive such advising and counseling services as he may need or wish.

The Admissions Office will coordinate services for evening students and answer questions of prospective students. Interested persons may contact the Admissions Office for information.

July 6, 1973 meeting, Board of Trustees

I. GENERAL RECOMMENDATIONS (continued)

C. Fee Schedule, Effective Autumn Quarter, 1973 (continued)

President Enarson's statement (continued)

Evening classes are not new at Ohio State. In addition to regular course offerings in the evening, the University provides a wide range of credit and non-credit programs through its Division of Continuing Education. But interest has grown during the past few years to such an extent that last summer the Provost appointed a task force to assess the need and consider ways of expanding our evening program.

To get initial guidance on the kinds of courses needed, the task force conducted an informal survey of area businesses. More detailed information is currently being collected by Statewide Opinion Research of Ohio, a division of the University's Behavioral Sciences Laboratory. These findings will be used to refine the program this autumn and in future planning.

We feel that it is absolutely necessary to move ahead rapidly in offering a wider range of courses to the working adult, the housewife, or to any others who need these opportunities but have not found them readily available in the past. And we view this extension of our evening program and the modification of our fee structure as an essential first step.

President Enarson recommended that the current fee structure and attendant charges be modified in accordance with the accompanying schedule to support this University's commitment to provide broadened opportunities in continuing and non-traditional education through a comprehensive part-time and evening program. The current charge structure simply does not accommodate those persons who wish to register for but one course, since they are presently obliged to pay one-half of full quarterly fees plus an Application Fee and an Acceptance Fee upon initial registration. (For a three-credit-hour undergraduate level course, this presently is \$160.00.)

The modified fee structure and attendant charges proposed establishes a credit-hour charge for enrollment in six or fewer credit hours with a minimum charge for three or fewer credit hours and changes the Orientation and Registration Fee to an Acceptance Fee and defers the payment of this fee for part-time students until students enroll in a degree program. (This fee will continue to be assessed for all students enrolling for the first time in one of the University's undergraduate degree-granting colleges or schools or University College.)

Schedule of Student Fees, Effective Autumn Quarter, 1973

	<u>Credit Hours Enrolled</u>	<u>Instruc- tional</u>	<u>General</u>	<u>Resident Total</u>	<u>Out-of-State Tuition</u>	<u>Non- Resident Total</u>
Administrative Science						
Agriculture and Home Economics						
Allied Medical Professions						
Architecture						
Biological Sciences						
Continuing Education						
Dental Hygiene						
Education						
Engineering						
Health, Physical	0-3	\$ 54	\$ 9	\$ 63	\$ 90	\$153
Education and Recreation	4	72	12	84	120	204
Humanities	5	90	15	105	150	255
Journalism	6	105	20	125	175	300
Mathematics and Physical Sciences	7 or more	210	40	250	350	600
Music						
Natural Resources						
Nursing						
Pharmacy						
Social and Behavioral Sciences						
Social Work						
The Arts						
University College						
Dentistry	0-3	\$ 69	\$ 9	\$ 78	\$ 90	\$168
Graduate School	4	92	12	104	120	224
Law	5	115	15	130	150	280
Medicine	6	135	20	155	175	330
Optometry	7 or more	270	40	310	350	660
Veterinary Medicine						
University Regional Campuses	0-3	\$ 51	\$ 6	\$ 57	\$ 90	\$147
	4	68	8	76	120	196
	5	85	10	95	150	245
	6	100	13	113	175	288
	7 or more	200	25	225	350	575

Full-time students (those enrolled in any quarter, term, or period for seven or more hours) will be assessed full fees. Fees for students enrolled for six or fewer hours in any quarter, term, or period shall be assessed on a per credit hour of enrollment basis, with the minimum fee for three or fewer hours being the fee computed for three hours.

I. GENERAL RECOMMENDATIONS (continued)

C. Fee Schedule, Effective Autumn Quarter, 1973 (continued)

And finally because of the costs associated with the increased number of students who are receiving credit by examination, and in anticipation of a further increase in this means of earning credit particularly in our non-traditional education program, it is proposed that a \$10.00 charge be established for each examination taken for the possible award of credit by examination. However, examinations required by academic departments for placement of students in appropriate levels in a course series will be exempt from this charge.

It was further recommended that Rule 43.02 of Rules for the University Faculty be revised to accomplish the above change in regard to the Acceptance Fee. The modified Rule 43.02 will be as follows:

43.02. Application and Acceptance Fees.\*

Section 1. All applications for first admission to the University must be accompanied by an application fee of \$10.00. This fee is non-refundable and is not credited against any other fees charged by the University.

Section 2. A non-refundable Acceptance Fee in the amount of \$25.00 is assessed all students enrolling for the first time in one of the University's undergraduate degree-granting colleges or schools or University College. The Acceptance Fee is to be paid within three weeks following notification of official admission, in all cases prior to orientation, or within two weeks prior to the final date for registration.

Section 3. A non-refundable Acceptance Fee in the amount of \$15.00 is assessed all students enrolling for the first time in one of the professional colleges or the Graduate School of The Ohio State University. Payment is to be made at the time registration forms are requested.

-----  
\*Rule initiated by Board of Trustees.

Upon motion of Mr. Gushman, seconded by Mr. Harrod, the Board of Trustees approved the foregoing recommendations by unanimous roll call vote.

\* \* \*

II. PERSONNEL ACTIONS

Personnel actions since the June 7, 1973 meeting of the Board, as recorded in the official "Salary Roll" of the University, include the following Appointments, Leaves of Absence Without Salary, Emeritus Titles, and Modification of Terms of Appointment of Department Chairmen:



July 6, 1973 meeting, Board of Trustees

II. PERSONNEL ACTIONS (continued)

A. Appointments

Ted R. Robinson, Assistant Vice President in the Office of the Vice President for Regional Campuses and Dean of University College, effective September 1, 1973, at a salary of \$28,488.00 per annum. Dr. Robinson will continue to hold an academic appointment in the Department of Agricultural Education as Associate Professor.

Elson L. Craig, Assistant Dean for Medical Student Affairs, (part time - 50 per cent), effective immediately at a salary of \$12,708.00 per annum. Dr. Craig will continue to hold an academic appointment as Assistant Professor (part time - 50 per cent), Department of Ophthalmology. (Twelve-month appointment)

Jerry Huddleston, Assistant Dean in the College of Medicine, effective immediately, at a salary of \$20,448.00 per annum. (Twelve-month appointment)

Manuel Tzagournis, Assistant Dean and Secretary in the College of Medicine, effective immediately, at a salary of \$25,728.00 per annum. Dr. Tzagournis will continue to hold an academic appointment in the Department of Medicine as Associate Professor. (Twelve-month appointment)

Garth F. Essig, Assistant Professor and Acting Chairman, Department of Obstetrics and Gynecology, effective immediately, at a salary of \$21,576.00 per annum. (Twelve-month appointment)

B. Leaves of Absence Without Salary

Bogdan Baishanski, Professor, Department of Mathematics, effective October 1, 1973 through December 31, 1973, to do research and teach at the University of Florida, Gainesville, Florida.

Melvin Greenball, Professor, Academic Faculty of Accounting, effective October 1, 1973 through September 30, 1974, to serve as a visiting professor at the University of British Columbia, Vancouver, B.C., Canada.

Nicholas Holowaychuck, Professor, Department of Agronomy, effective July 1, 1973 through July 31, 1973, to conduct a soil survey in Alaska for the United States Park Service.

July 6, 1973 meeting, Board of Trustees

II. PERSONNEL ACTIONS (continued)

B. Leaves of Absence Without Salary (continued)

James R. Kincaid, Professor, Department of English, effective October 1, 1973 through September 30, 1974, to accept a Guggenheim Fellowship.

Ilse Lehiste, Professor, Department of Linguistics, effective April 1, 1974 through June 30, 1974, to serve as a guest professor at Institut Fur Allegemeine und Indogerm Sprachwissenschaft Universitat, Wein, Austria.

Richard S. Miller, Professor, College of Law, effective October 1, 1973 through September 30, 1974, to teach at the University of Hawaii, School of Law, Honolulu, Hawaii.

Morgan Shipman, Professor, College of Law, effective October 1, 1973 through December 31, 1973, to teach at the University of Michigan, Ann Arbor, Michigan.

David H. Stansbery, Professor, Department of Zoology, effective October 1, 1973 through June 30, 1974, to serve as Curator of mollusks and updating identification, participating in research program and presenting lectures at the Smithsonian Institution, Washington, D. C.

John C. Weicher, Associate Professor, Department of Economics, effective October 1, 1973 through September 30, 1974, to serve as staff economist at the Office of Economic Opportunity, Washington, D. C.

Shirley Wynne, Associate Professor, Department of Dance, effective October 1, 1973 through September 30, 1974, to teach at Ohio University, Department of Dance, Athens, Ohio.

Katherine Burkman, Assistant Professor, Division of Comparative Literature, effective October 1, 1973 through September 30, 1974, for personal reasons.

Bohuslav Divis, Assistant Professor, Department of Mathematics, effective October 1, 1973 through September 30, 1974, to do research and teach at Johann Wolfgang Goethe-Universitat, Frankfurt, West Germany.

Iona Grosshans, Assistant Professor, School of Health, Physical Education, and Recreation, effective October 1, 1973 through September 30, 1974, to do graduate work on doctorate, in the Department of Health Education at Indiana University, Bloomington, Indiana.

July 6, 1973 meeting, Board of Trustees

II. PERSONNEL ACTIONS (continued)

B. Leaves of Absence Without Salary (continued)

Koichiro Harada, Assistant Professor, Department of Mathematics, effective October 1, 1973 through September 30, 1974, to do research and teach at Cambridge University, Oxford, England.

Bertram Katz, Assistant Professor, Division of Art, effective October 1, 1973 through September 30, 1974, to direct the arts program of the Great Lakes Colleges Association in New York.

James E. Schultz, Assistant Professor, Department of Mathematics, effective October 1, 1973 through September 30, 1974, to do research and teach at Michigan State University.

Neil E. Smeck, Assistant Professor, Department of Agronomy, effective July 20, 1973 through August 31, 1973, to conduct soil survey for U. S. Park Service in Alaska.

Jewell Vroonland, Assistant Professor, Department of English, effective October 1, 1973 through September 30, 1974, to do research for Ohio Legislative Service Commission.

Jean Gottfried, Instructor, Cooperative Extension Service, effective October 1, 1973 through March 31, 1974, to participate in a program of professional improvement at The Ohio State University.

Larry Lotz, Instructor, Cooperative Extension Service, effective October 1, 1973 through June 15, 1974, to participate in a program of professional improvement at The Ohio State University.

Marilynne Snook, Instructor, Cooperative Extension Service, effective July 1, 1973 through June 30, 1974, to participate in a program of professional improvement at The Ohio State University.

Paul zumFelde, Instructor, Cooperative Extension Service, effective September 1, 1973 through April 30, 1974, to participate in a program of professional improvement at Eastern Michigan University.

July 6, 1973 meeting, Board of Trustees

II. PERSONNEL ACTIONS (continued)

C. Emeritus Titles

H. Farrand Livingston, School of Social Work, with the title Professor Emeritus, effective July 1, 1973.

Joseph N. Miller, Department of Zoology, with the title Professor Emeritus, effective July 1, 1973.

Clarence C. Bowen, Cooperative Extension Service, with the title Associate Professor Emeritus, effective July 1, 1973.

Louis W. Jacquemin, Cooperative Extension Service, with the title Instructor Emeritus, effective July 1, 1973.

D. Modification of Terms of Appointment of Department Chairmen

The expiration dates for the following appointments as Department Chairmen are modified to be consistent with the academic appointment cycle:

November 1, 1973 through September 30, 1977

Randall B. Ripley Political Science

January 1, 1974 through September 30, 1978

Jon S. Cunnyngham Economics

President Enarson recommended that the Appointments, Leaves of Absence Without Salary, Emeritus Titles, Modification of Terms of Appointment of Department Chairmen, and the personnel budget actions as recorded in the "Salary Roll" of the University be approved.

Upon motion of Mr. Harrod, seconded by Dr. Sirak, the Board of Trustees approved the foregoing recommendation by unanimous roll call vote, and the Secretary was instructed to file these changes in the "Salary Roll," an official document of the University.

\*

\*

\*

July 6, 1973 meeting, Board of Trustees

III. REPORT OF RESEARCH CONTRACTS, GRANTS, GIFTS, AND AGREEMENTS

President Enarson recommended that the following contracts and grants negotiated and monies received for the month of May be accepted.

SUMMARY

	No. of Projects/ Donors	Gross Value
Office of Finance and Treasurer	33	\$3,198,409.00
The Ohio State University Research Foundation	58	2,151,451.00
The Engineering Experiment Station	1	38,040.00
The Ohio State University Development Fund	3,495	354,897.00

A detailed listing of the items in each section is shown on the following pages.

Upon motion of Mr. Safford, seconded by Dr. Sirak, the research agreements between The Ohio State University and The Ohio State University Research Foundation for the contracts and grants reported herein, and the acceptance of the report from the Office of Finance and Treasurer and The Ohio State University Development Fund, including the establishment of named funds, were approved by unanimous voice vote.

July 6, 1973 meeting, Board of Trustees

III. REPORT OF RESEARCH CONTRACTS, GRANTS, GIFTS, AND AGREEMENTS  
(continued)

A. OFFICE OF FINANCE AND TREASURER

Summary for Fiscal Year 1972-73  
(Eleven Months through May 31, 1973)

	Number of Projects	Amount of Support	% Change 1971-72
<u>Federal</u>			
Student	21	\$ 4,723,889.50	- 13.1
Training Grants	126	15,189,918.71	- 18.6
	147	\$19,913,808.21	- 17.4
<u>State</u>	14	304,627.93	- 38.8
<u>Industrial and Other</u>	13	527,141.27	36.8
Totals	174	\$20,745,577.41	- 17.0

- o -

B. THE OHIO STATE UNIVERSITY RESEARCH FOUNDATION

Summary for Fiscal Year 1972-73  
(Eleven Months through May 31, 1973)

	Number of Projects	Amount of Support	% Change 1971-72
<u>Federal</u>			
Atomic Energy Commission	8	\$ 453,445.00	2.25
National Aeronautics and Space Administration	17	491,533.00	- 17.10
National Science Foundation	85	3,299,850.00	34.00
Department of Defense	58	2,230,473.00	- 44.31
Health, Education, and Welfare	114	7,609,354.52	- 5.13
Other Federal	40	3,578,901.00	237.65
Total	322	\$17,663,545.52	4.09
<u>State</u>	12	550,686.56	230.64
<u>Industrial and Other</u>	111	2,325,360.82	40.77
Totals	445	\$20,539,592.90	9.32

- o -

July 6, 1973 meeting, Board of Trustees

III. REPORT OF RESEARCH CONTRACTS, GRANTS, GIFTS, AND AGREEMENTS  
(continued)

C. THE ENGINEERING EXPERIMENT STATION

Summary for Fiscal Year 1972-73  
(Eleven Months through May 31, 1973)

	Number of Projects	Amount of Support	% Change 1971-72
<u>Federal</u>	15	\$ 145,181.00	- 31.3
<u>State</u>	34	501,620.00	27.8
<u>Industrial and Other</u>	<u>284</u>	<u>430,337.00</u>	<u>28.2</u>
Totals	333	\$ 1,077,138.00	14.7

- o -

D. THE OHIO STATE UNIVERSITY DEVELOPMENT FUND

Summary for Fiscal Year 1972-73  
(Eleven Months through May 31, 1973)

	Number of Donors	Amount of Gifts	% Change 1971-72
<u>General Solicitation</u>	<u>27,770</u>	<u>\$ 594,681.00</u>	<u>14.4</u>
<u>Major Resources Group</u>			
Major Individual Gifts	661	\$ 2,476,848.00	13.4
Corporate Gifts	417	1,077,847.00	9.1
Foundation and Non- Profit Organization Gifts	<u>437</u>	<u>1,335,701.00</u>	<u>36.5</u>
Total	<u>1,515</u>	<u>\$ 4,890,396.00</u>	<u>17.8</u>
Grand Total	29,285	\$ 5,485,077.00	17.4

- o -

July 6, 1973 meeting, Board of Trustees

III. REPORT OF RESEARCH CONTRACTS, GRANTS, GIFTS, AND AGREEMENTS  
(continued)

A. Office of Finance and Treasurer

1. Contracts/Grants

- a. \$1,111,522.00 granted by Department of Health, Education, and Welfare, Office of Education, Bureau of Higher Education, Washington, D. C., to the University for College Work-Study Program, for the period July 1, 1973 through June 30, 1974. (NIH Grantee No. 766505)
- b. \$605,070.00 granted by Department of Health, Education, and Welfare, Office of Education, Bureau of Higher Education, Washington, D. C., to the University for Educational Opportunity Grants Program, for the period July 1, 1973 through June 30, 1974. (NIH Grantee No. 766505)
- c. \$218,137.00 granted by Department of Health, Education, and Welfare, Office of Education, Washington, D. C., to the University for Training of Professional Personnel in the Education of the Handicapped, for the period through August 31, 1974; \$153,307.00 under the direction of the College of Education, Academic Faculty for Exceptional Children; \$41,461.00 under the direction of the School of Health, Physical Education and Recreation; and \$23,369.00 under the direction of The Nisonger Center. (Grant No. OEG-0-72-4136)
- d. \$143,443.00 granted by Department of Health, Education, and Welfare, Public Health Service, Bethesda, Maryland, to the University for Cardiovascular Training Program - Training Grant, under the direction of the Department of Medicine, for the period July 1, 1973 through June 30, 1974. (Grant No. 5 T01 HL05968-02)
- e. \$124,999.00 granted by Department of Health, Education, and Welfare, Region V, Social and Rehabilitation Service - Rehabilitation Training MR, Chicago, Illinois, to the University for Home Training Consultants - Training Grant, under the direction of The Nisonger Center, for the period July 1, 1973 through June 30, 1974. (Grant No. 55-P-25182/5-03)
- f. \$117,442.00 granted by Department of Health, Education, and Welfare, Public Health Service, Bethesda, Maryland, to the University for Graduate Psychiatric Nursing - Training Grant, under the direction of the School of Nursing, for the period July 1, 1973 through June 30, 1974. (Grant No. 5 T01 MH12394-04)
- g. \$112,000.00 granted by Department of State, Agency for International Development, Washington, D. C., to the University for amendment to PIO/T 617-060-3-20035 for project in Uganda, East Africa, under the direction of the College of Agriculture and Home Economics - International Development Programs. (Contract No. AID/afr-798, Amendment No. 1)



July 6, 1973 meeting, Board of Trustees

III. REPORT OF RESEARCH CONTRACTS, GRANTS, GIFTS, AND AGREEMENTS  
(continued)

A. Office of Finance and Treasurer

1. Contracts/Grants (continued)

- h. \$71,447.00 granted by Department of Health, Education, and Welfare, Public Health Service, Bethesda, Maryland, to the University for Clinical Cancer Training - Medical - Training Grant, under the direction of the Department of Surgery, for the period July 1, 1973 through June 30, 1974. (Grant No. 5 T12 CA08110-08)
- i. \$50,430.00 granted by Department of Health, Education, and Welfare, Office of Education, Washington, D. C., to the University for Training of Professional Personnel in the Education of the Handicapped, under the direction of the School of Home Economics, for the period June 1, 1973 through August 31, 1974. (Grant No. OEG-0-73-6165)
- j. \$49,999.00 granted by Department of Health, Education, and Welfare, Office of Education, Washington, D. C., to the University for Developmentally Delayed Infant Education Project, under the direction of The Nisonger Mental Retardation Center, for the period July 1, 1973 through June 30, 1974. (Grant No. OEG-0-73-5583)
- k. \$48,000.00 granted by Department of State, Agency for International Development, Washington, D. C., to the University for amendment to PIO/T 617-060-3-10026, PIO/T 617-060-3-20035, and PIO/T 617-060-3-30008 for project in Uganda, East Africa, under the direction of the College of Agriculture and Home Economics - International Development Programs. (Contract No. AID/afr-798, Amendment No. 3)
- l. \$46,537.00 granted by Department of Health, Education, and Welfare, Public Health Service, Bethesda, Maryland, to the University for Parasitology and Medical Entomology - Training Grant, under the direction of the Department of Entomology, for the period July 1, 1973 through June 30, 1974. (Grant No. 5 T01 AI00216-13)
- m. \$45,000.00 granted by the State of Ohio, Department of Natural Resources, Division of Wildlife, Columbus, Ohio, to the University for Impact of Parasitic Red Worms on Lake Erie Fishes, under the direction of the College of Biological Sciences, for the period May 1, 1973 through May 31, 1974. (Project No. F-48-R-2)
- n. \$43,088.00 granted by Department of Health, Education, and Welfare, Public Health Service, Bethesda, Maryland, to the University for Pharmacology - Training Grant, under the direction of the Department of Pharmacology, for the period July 1, 1973 through June 30, 1974. (Grant No. 5 T01 GM01417-09)

III. REPORT OF RESEARCH CONTRACTS, GRANTS, GIFTS, AND AGREEMENTS  
(continued)

A. Office of Finance and Treasurer

1. Contracts/Grants (continued)

- o. \$37,556.00 granted by Department of Health, Education, and Welfare, Public Health Service, Bethesda, Maryland, to the University for Experimental Psychology Graduate - Training Grant, under the direction of the Department of Psychology, for the period July 1, 1973 through June 30, 1974. (Grant No. 5 T01 MH08526-10)
- p. \$37,500.00 granted by the State of Ohio, Department of Natural Resources, Division of Wildlife, Columbus, Ohio, to the University for Environmental Evaluation of a Nuclear Power Plant on Lake Erie, under the direction of the College of Biological Sciences, for the period May 1, 1973 through May 31, 1974. (Project No. F-41-R-5)
- q. \$37,278.00 granted by Department of Health, Education, and Welfare, Public Health Service, Bethesda, Maryland, to the University for Surgery - Training Grant, under the direction of the Department of Surgery, for the period July 1, 1973 through June 30, 1974. (Grant No. 2 T01 GM01539-08)
- r. \$34,974.00 granted by Department of Health, Education, and Welfare, Region V, Social and Rehabilitation Service - RSA Developmental Disabilities, Chicago, Illinois, to the University for UAF Administration and Operation, under the direction of The Nisonger Center, for the period June 30, 1973 through June 29, 1974. (Grant No. 59-P-25294/5-02)
- s. \$31,500.00 additional grant by Department of Health, Education, and Welfare, National Institute of Education, Washington, D. C., to the University for Projects for Preparation of Information Analysis Products, under the direction of the Center for Vocational and Technical Education, for the period ending August 31, 1973. (Contract No. OEC-0-70-1214)
- t. \$31,481.00 granted by Department of Health, Education, and Welfare, Public Health Service, Bethesda, Maryland, to the University for Social Psychology - Training Grant, under the direction of the Department of Psychology, for the period July 1, 1973 through June 30, 1974. (Grant No. 5 T01 MH12349-03)
- u. \$29,001.00 granted by Department of Health, Education, and Welfare, Public Health Service, Bethesda, Maryland, to the University for Research Training Physiological Psychology - Training Grant, under the direction of the Department of Psychology, for the period July 1, 1973 through June 30, 1974. (Grant No. 5 T01 MH06748-16)

July 6, 1973 meeting, Board of Trustees

III. REPORT OF RESEARCH CONTRACTS, GRANTS, GIFTS, AND AGREEMENTS  
(continued)

A. Office of Finance and Treasurer

1. Contracts/Grants (continued)

- v. \$27,044.00 granted by Department of Health, Education, and Welfare, Public Health Service, Bethesda, Maryland, to the University for Research and Faculty Training in Dental Anesthesiology, under the direction of the College of Dentistry, for the period July 1, 1973 through June 30, 1974. (Grant No. 5 T01 DE00291-02)
- w. \$20,000.00 additional grant by Department of Health, Education and Welfare, Office of Education, Bureau of Higher Education, Washington, D. C., to the University for the College Work-Study Program, for the period July 1, 1972 through June 30, 1973. (NIH Grantee No. 766505)
- x. \$20,000.00 granted by Defense Civil Preparedness Agency, Region IV, Federal Center, Battle Creek, Michigan, to the University, for Conducting Four Regional and State, Local On-Site Assistance Surveys to Determine State and Local Training Requirements, under the direction of the Division of Continuing Education, for the period beginning June 1, 1973. (Contract No. DAHC20-73-C-0211)
- y. \$18,500.00 granted by the Department of State, Agency for International Development, Washington, D. C., to the University for an amendment to PIO/T 617-060-3-30008 for project in Uganda, East Africa, under the direction of the College of Agriculture and Home Economics - International Development Programs. (Contract No. AID/afr-798, Amendment No. 2)
- z. \$17,322.00 granted by Department of Health, Education, and Welfare, Public Health Service, Bethesda, Maryland, to the University for Orthopaedic Education for Medical School Careers - Training Grant, under the direction of the Department of Surgery, for the period July 1, 1973 through June 30, 1974. (Grant No. 5 T01 AM05695-02)
- aa. \$17,093.00 granted by Department of Health, Education, and Welfare, Public Health Service, Bethesda, Maryland, to the University for Clinical Cancer Training, Dental - Training Grant, under the direction of the College of Dentistry, for the period July 1, 1973 through June 30, 1974. (Grant No. 5 T12 CA08129-07)

July 6, 1973 meeting, Board of Trustees

III. REPORT OF RESEARCH CONTRACTS, GRANTS, GIFTS, AND AGREEMENTS  
(continued)

A. Office of Finance and Treasurer

1. Contracts/Grants (continued)

- bb. \$15,717.00 granted by Department of Health, Education, and Welfare, Public Health Service, Bethesda, Maryland, to the University for Psychiatric Social Work Doctoral and Third Year - Training Grant, under the direction of the School of Social Work, for the period July 1, 1973 through June 30, 1974. (Grant No. 5 T01 MH11981-05)
- cc. \$13,500.00 additional grant by National Science Foundation, Washington, D. C., to the University for Student Science Training Program (Pre-College), under the direction of the Department of Mathematics, for the period ending October 31, 1973. (Grant GW-8206, Proposal No. 3/1627, Amendment No. 1)
- dd. \$11,880.00 granted by The Ford Foundation, New York, New York, to the University for two Black American Doctoral Fellowships, under the direction of the Graduate School, for the academic year 1973-74. (Project No. 719-0021)
- ee. \$5,000.00 granted by the State of Ohio, Department of State Personnel, Division of Intergovernmental Personnel and Training, Columbus, Ohio, to the University for a comprehensive training and reference manual covering the areas of employer-employee relations or labor-management relations in the public sector within the State of Ohio, under the direction of the College of Administrative Science, Division of Continuing Education, for period ending June 30, 1973.
- ff. \$4,500.00 additional grant by National Endowment for the Humanities, Washington, D. C., to the University for two additional summer seminar participants, under the direction of the Department of English. (Grant No. FS-9386-73-246)
- gg. \$1,449.00 granted by Department of Health, Education, and Welfare, Region V, Social and Rehabilitation Service - Rehabilitation Services, Chicago, Illinois, to the University for Undergraduate Traineeships in Rehabilitation Medicine, under the direction of the Department of Physical Medicine, for the period May 1, 1973 through April 30, 1974. (Grant No. 44-P-25217/5-02)

July 6, 1973 meeting, Board of Trustees

III. REPORT OF RESEARCH CONTRACTS, GRANTS, GIFTS, AND AGREEMENTS  
(continued)

B. The Ohio State University Research Foundation

1. Federal Research Contracts/Grants

- a. Department of Health, Education, and Welfare, Public Health Service, National Institutes of Health, National Cancer Institute, Bethesda, Maryland, Southwest Cooperative Chemotherapy Group (to be known as Project No. 1094-M - Revised Award Dtd. 2/21/73 - Department of Medicine).  
Gross Value - \$6,519.00.
- b. Department of Health, Education, and Welfare, Public Health Service, National Institutes of Health, Division of Research Resources, Bethesda, Maryland, General Clinical Research Center - 10 Beds (to be known as Project No. 1196-2M - Ext. #12 - Department of Medicine).  
Gross Value - \$295,050.00.
- c. Department of Health, Education, and Welfare, Public Health Service, National Institutes of Health, Division of Research Resources, Bethesda, Maryland, General Clinical Research Center - 10 Beds (to be known as Project No. 1196-3M - Ext. #11 - Department of Medicine).  
Gross Value - \$170,051.00.
- d. Department of Health, Education, and Welfare, Public Health Service, National Institutes of Health, National Heart and Lung Institute, Bethesda, Maryland, Distribution and Metabolism of Labeled Digitaloids (to be known as Project No. 1451-L - Ext. #11 - Department of Pharmacology).  
Gross Value - \$44,690.00.
- e. Department of Health, Education, and Welfare, Public Health Service, National Institutes of Health, National Cancer Institute, Bethesda, Maryland, Synthesis of Carcinogenic Compounds (to be known as Project No. 1809-H - Ext. #8 - Department of Chemistry).  
Gross Value - \$29,709.00.
- f. Department of Health, Education, and Welfare, Public Health Service, National Institutes of Health, National Cancer Institute, Bethesda, Maryland, Biochemistry of Mitosourea Induced Brain Tumors (to be known as Project No. 2069-H - Ext. #8 - Department of Medicine).  
Gross Value - \$39,137.00.
- g. National Aeronautics and Space Administration, Goddard Space Flight Center, Greenbelt, Maryland, Millimeter-Wavelengths Propagation Studies (to be known as Project No. 2374 - Sup. #9 - Department of Electrical Engineering).  
Gross Value - \$30,000.00.

III. REPORT OF RESEARCH CONTRACTS, GRANTS, GIFTS, AND AGREEMENTS  
(continued)

B. The Ohio State University Research Foundation (continued)

1. Federal Research Contracts/Grants (continued)

- h. Department of Health, Education, and Welfare, Public Health Service, National Institutes of Health, National Institute of Allergy and Infectious Diseases, Bethesda, Maryland, A Model of Para-infectious Demyelinating Encephalitis (to be known as Project No. 2797-D - Ext. #4 - Department of Veterinary Pathobiology).  
Gross Value - \$43,352.00.
- i. Department of Health, Education, and Welfare, Public Health Service, National Institutes of Health, National Institute of Arthritis, Metabolic and Digestive Diseases, Bethesda, Maryland, Enzyme Catalysts of Electron and Group Transfer (to be known as Project No. 2811-D - Ext. #4 - Department of Chemistry).  
Gross Value - \$27,480.00.
- j. Department of Defense, Office of Naval Research, Arlington, Virginia, Open-Loop Analysis of the Carbon Dioxide Receptor Reflex (to be known as Project No. 2822 - Mod. #4 - Department of Physiology).  
Gross Value - \$8,985.00.
- k. Department of Defense, Office of Naval Research, Arlington, Virginia, Seminars in Defense Two-Step Formal Advertising and Multi-Year Procurement Procedures (to be known as Project No. 3006-A1 - Mod. #6 - College of Administrative Science, Division of Continuing Education).  
Gross Value - \$4,449.00.
- l. Department of Health, Education, and Welfare, Public Health Service, National Institutes of Health, National Institute of Allergy and Infectious Diseases, Bethesda, Maryland, New Antibiotics - Isolation, Synthesis and Evaluation (to be known as Project No. 3054-A4 - Ext. #4 - College of Pharmacy).  
Gross Value - \$41,255.00.
- m. U. S. Agency for International Development, APO, New York, Venezuelan Human Resources Planning Project (to be known as Project No. 3096-A1 - Amend. #3 - Center for Human Resource Research).  
Gross Value - \$10,000.00.
- n. National Science Foundation, Washington, D. C., Problems in Molecular Structure Employing Infrared Techniques and Theory (to be known as Project No. 3205-A1 - Amend. #1 - Department of Physics).  
Gross Value - \$15,000.00.

III. REPORT OF RESEARCH CONTRACTS, GRANTS, GIFTS, AND AGREEMENTS

(continued)

B. The Ohio State University Research Foundation (continued)

1. Federal Research Contracts/Grants (continued)

- o. Department of Health, Education, and Welfare, Public Health Service, National Institutes of Health, Bureau of Health Manpower Education, Division of Nursing, Bethesda, Maryland, A Study of the Communicative Interaction Process (to be known as Project No. 3235-A3 - Ext. #2 - School of Nursing).  
Gross Value - \$97,859.00.
- p. Department of Health, Education, and Welfare, Public Health Service, National Institutes of Health, National Heart and Lung Institute, Bethesda, Maryland, Aortic Function (to be known as Project No. 3236-A3 - Ext. #2 - Department of Physiology).  
Gross Value - \$25,679.00.
- q. Department of Defense, Department of the Air Force, Air Force Systems Command, Wright-Patterson Air Force Base, Ohio, Development of a Duoplasmatron Excitation Technique for Measuring Flow Properties Around High Speed Vehicles (to be known as Project No. 3361-A1 - Mod. #P00002 - Department of Aeronautical and Astronautical Engineering).  
Gross Value - \$7,928.00.
- r. National Science Foundation, Washington, D. C., Low-Temperature Transport Phenomena in Metals (to be known as Project No. 3436-B1 - New - Department of Physics).  
Gross Value - \$24,000.00.
- s. Department of Health, Education, and Welfare, Public Health Service, National Institutes of Health, National Institute of General Medical Sciences, Bethesda, Maryland, Application of Immobilized Enzymes in Protein Chemistry (to be known as Project No. 3477-A2 - Ext. #1 - Department of Biochemistry).  
Gross Value - \$23,229.00.
- t. Department of Defense, Department of the Air Force, Air Force Systems Command, Brooks Air Force Base, Texas, Development and Evaluation of Social Incentive System for Air Force Technical Training (to be known as Project No. 3481-A1 - Mod. #P00001 - Department of Psychology).  
Gross Value - \$14,612.00.
- u. Department of Health, Education, and Welfare, Public Health Service, National Institutes of Health, National Institute of Child Health and Human Development, Bethesda, Maryland, Immunology of Oviducal and Uterine Fluid Proteins (to be known as Project No. 3483-A2 - Ext. #1 - Department of Obstetrics and Gynecology).  
Gross Value - \$68,549.00.

III. REPORT OF RESEARCH CONTRACTS, GRANTS, GIFTS, AND AGREEMENTS  
(continued)

B. The Ohio State University Research Foundation (continued)

1. Federal Research Contracts/Grants (continued)

- v. U. S. Department of Labor, Manpower Administration, Washington, D. C., National Longitudinal Studies of Labor Force Behavior (to be known as Project No. 3489-A1 - Mod. #3 - Center for Human Resource Research).  
Gross Value - \$57,746.00.
- w. Department of Defense, Department of the Army, Corps of Engineers, Huntington, West Virginia, Environmental Analysis of Central Ohio (to be known as Project No. 3492-A1 - Ltr. Dtd. 5/15/73 - Ohio Biological Survey).  
Gross Value - \$23,540.00.
- x. Department of Defense, Department of the Army, Corps of Engineers, Huntington, West Virginia, Environmental Analysis of Central Ohio (to be known as Project No. 3492-C1 - Ltr. Dtd. 5/15/73 - Ohio Biological Survey and School of Architecture).  
Gross Value - \$1,460.00.
- y. Department of Health, Education, and Welfare, Public Health Service, National Institutes of Health, National Library of Medicine, Bethesda, Maryland, Participation in the Biomedical Data Network (BDN) (to be known as Project No. 3497-A1 - Mod. #1 - Department of Medicine).  
Gross Value - \$31,842.00.
- z. Department of Health, Education, and Welfare, Public Health Service, National Institutes of Health, National Institute of General Medical Sciences, Bethesda, Maryland, Spin-Label Investigation of Enzyme Conformation (to be known as Project No. 3506-A2 - Ext. #1 - Department of Chemistry).  
Gross Value - \$16,246.00.
- aa. Department of Defense, Department of the Navy, Office of Naval Research, Arlington, Virginia, Defense Cost and Price Analysis Course (to be known as Project No. 3528-A1 - Amend. #1 - College of Administrative Science, Division of Continuing Education).  
Gross Value - \$35,245.00.
- bb. U. S. Department of Transportation, Federal Highway Administration, Washington, D. C., Field Test and Evaluation Center for Eastern States (to be known as Project No. 3535-A1 - Mod. #1 - Engineering Experiment Station).  
Gross Value - \$196,307.00.



III. REPORT OF RESEARCH CONTRACTS, GRANTS, GIFTS, AND AGREEMENTS  
(continued)

B. The Ohio State University Research Foundation (continued)

1. Federal Research Contracts/Grants (continued)

- cc. National Science Foundation, Washington, D. C., Research Hybrid Computer Equipment (to be known as Project No. 3669-A1 - New - Department of Electrical Engineering).  
Gross Value - \$70,000.00.
- dd. Department of Defense, Department of the Air Force, Office of Scientific Research, Arlington, Virginia, Fluid Dynamic Interactions in Multiple Nozzle Arrays (to be known as Project No. 3670-A1 - New - Department of Aeronautical and Astronautical Engineering).  
Gross Value - \$39,780.00.
- ee. Department of Health, Education, and Welfare, Public Health Service, National Institutes of Health, National Cancer Institute, Bethesda, Maryland, Transfer Factor Immunotherapy of Cancer (to be known as Project No. 3674-A1 - New - Department of Medicine).  
Gross Value - \$69,888.00.
- ff. National Science Foundation, Washington, D. C., Strontium Isotope Stratigraphy of Deep Sea Sediment from the Red Sea (to be known as Project No. 3675-A1 - New - Department of Geology and Mineralogy).  
Gross Value - \$11,800.00.
- gg. National Science Foundation, Washington, D. C., Graph Connectivity (to be known as Project No. 3676-A1 - New - Department of Mathematics).  
Gross Value - \$5,700.00.
- hh. National Science Foundation, Washington, D. C., Linear Systems Over Commutative Rings (to be known as Project No. 3677-A1 - New - Department of Mathematics).  
Gross Value - \$6,600.00.
- ii. National Science Foundation, Washington, D. C., Diffusion Induced Stresses and Plastic Deformation (to be known as Project No. 3678-A1 - New - Department of Metallurgical Engineering).  
Gross Value - \$40,000.00.
- jj. National Science Foundation, Washington, D. C., Trait Meaning in Impression Formation (to be known as Project No. 3679-A1 - New - Department of Psychology).  
Gross Value - \$48,100.00.
- kk. National Science Foundation, Washington, D. C., Role of RNA Synthesis in Abscisic Acid Activity (to be known as Project No. 3680-A1 - New - Department of Botany).  
Gross Value - \$38,000.00.

III. REPORT OF RESEARCH CONTRACTS, GRANTS, GIFTS, AND AGREEMENTS  
(continued)

B. The Ohio State University Research Foundation (continued)

1. Federal Research Contracts/Grants (continued)

- ii. National Science Foundation, Washington, D. C., Spectroelectrochemistry in Flowing Streams (to be known as Project No. 3681-A1 - New - College of Pharmacy).  
Gross Value - \$30,000.00.
- mm. National Science Foundation, Washington, D. C., Combinatorial Geometry: The Whitney Numbers and Elementary Strong Maps (to be known as Project No. 3684-A1 - New - Department of Mathematics).  
Gross Value - \$6,800.00.
- nn. National Science Foundation, Washington, D. C., Invariant Algebraic Structures for Nonsplit Lie Algebras and Algebraic Groups (to be known as Project No. 3685-A1 - New - Department of Mathematics).  
Gross Value - \$20,000.00.
- oo. Department of Health, Education, and Welfare, Public Health Service, National Institutes of Health, National Institute of Neurological Diseases and Stroke, Bethesda, Maryland, Stroke Acute Care Research Unit (to be known as Project No. 3687-A1 - New - Department of Medicine).  
Gross Value - \$71,105.00.
- pp. Department of Defense, Army Research Institute for the Behavioral and Social Sciences, Arlington, Virginia, Visual Search with Embedded Targets (to be known as Project No. 3689-A1 - New - Institute for Research in Vision).  
Gross Value - \$29,576.00.
- qq. Department of Health, Education, and Welfare, Public Health Service, National Institutes of Health, National Cancer Institute, Bethesda, Maryland, RNA Mediated Abrogation of Lung Cancer Induced Energy (to be known as Project No. 3692-A1 - New - Department of Microbiology).  
Gross Value - \$45,070.00.

TOTAL - Federal Research Contracts/Grants \$1,922,338.00

2. State Research Contracts/Grants

- a. State of Ohio, Department of Liquor Control, Columbus, Ohio, A Comprehensive Review of the State of Ohio Department of Liquor Control's Policies and Procedures (to be known as Project No. 3263-A1 - Amend. Dtd. 5/17/73 - Academic Faculty of Marketing).  
Gross Value - \$18,695.00.

III. REPORT OF RESEARCH CONTRACTS, GRANTS, GIFTS, AND AGREEMENTS

(continued)

B. The Ohio State University Research Foundation (continued)

2. State Research Contracts/Grants (continued)

- b. State of Ohio, Department of Mental Health and Mental Retardation, Columbus, Ohio, Pet-Oriented Psychotherapy Program (to be known as Project No. 3668-A1 - New - Department of Psychiatry).  
Gross Value - \$40,000.00.
- c. State of Ohio, Department of Mental Health and Mental Retardation, Columbus, Ohio, Mental Health and Mental Retardation Study (to be known as Project No. 3671-A1 - New - Behavioral Sciences Laboratory).  
Gross Value - \$2,000.00.
- d. State of Ohio, Department of Mental Health and Mental Retardation, Chillicothe, Ohio, Evaluation of the Toledo Forensic Psychiatry Center (to be known as Project No. 3691-A1 - New - College of Administrative Science, Division of Public Administration).  
Gross Value - \$2,300.00.

TOTAL - State Research Contracts/Grants \$62,995.00

3. Industrial and Other Research Contracts/Grants

- a. The John A. Hartford Foundation, New York, New York, The Pharmacologic Control of Portal Hypertension (to be known as Project No. 3386-A2 - Ext. #1 - Department of Surgery).  
Gross Value - \$78,146.00.
- b. Columbus/Franklin County Criminal Justice Coordinating Council, Columbus, Ohio, Franklin County Criminal Justice System (to be known as Project No. 3664-A1 - New - College of Administrative Science, Division of Public Administration).  
Gross Value - \$4,451.00.
- c. Buckeye Boys Ranch, Grove City, Ohio, Evaluation Audit of Buckeye Boys Ranch (to be known as Project No. 3665-A1 - New - Department of Sociology and College of Administrative Science, Division of Public Administration).  
Gross Value - \$6,700.00.
- d. State of Ohio, Department of Rehabilitation and Correction, Columbus, Ohio, Evaluation of Community Reintegration Centers (to be known as Project No. 3666-A1 - New - College of Administrative Science, Division of Public Administration and School of Social Work).  
Gross Value - \$5,560.00.

July 6, 1973 meeting, Board of Trustees

III. REPORT OF RESEARCH CONTRACTS, GRANTS, GIFTS, AND AGREEMENTS

(continued)

B. The Ohio State University Research Foundation (continued)

3. Industrial and Other Research Contracts/Grants (continued)

- e. State of Ohio, Department of Rehabilitation and Correction, Columbus, Ohio, Evaluation of Community Reintegration Centers (to be known as Project No. 3667-A1 - New - College of Administrative Science, Division of Public Administration and School of Social Work).  
Gross Value - \$5,560.00.
- f. General Electric Company, Cincinnati, Ohio, Acoustic Deflector Tests Inlet (to be known as Project No. 3673-A1 - New - Department of Aeronautical and Astronautical Engineering).  
Gross Value - \$1,200.00.
- g. American Iron and Steel Institute, New York, New York, Embrittlement in Stainless Steel (to be known as Project No. 3682-A1 - New - Department of Metallurgical Engineering).  
Gross Value - \$18,000.00.
- h. American Iron and Steel Institute, New York, New York, Composition of Passive Films (to be known as Project No. 3683-A1 - New - Department of Metallurgical Engineering).  
Gross Value - \$20,000.00.
- i. World Health Organization, Geneva, Switzerland, Acquisition and Stabilization of Baboons (to be known as Project No. 3686-A1 - New - Department of Obstetrics and Gynecology).  
Gross Value - \$7,500.00.
- j. The Ohio Program in the Humanities, Columbus, Ohio, Justice, Law, and Public Opinion: A Black Perspective (to be known as Project No. 3690-A1 - New - Department of Black Studies).  
Gross Value - \$9,001.00.
- k. Union Carbide Corporation, Tarrytown, New York, An Ecology Evaluation of Hypolimnetic Oxygenation (to be known as Project No. 3693-A1 - New - Department of Zoology).  
Gross Value - \$10,000.00.

TOTAL - Industrial and Other Research Contracts/Grants \$166,118.00

July 6, 1973 meeting, Board of Trustees

III. REPORT OF RESEARCH CONTRACTS, GRANTS, GIFTS, AND AGREEMENTS  
(continued)

C. The Engineering Experiment Station

1. Government Research Project

EES 411X      Field Evaluation of Sand-Drain Construction, Ohio  
Ext. #1        Department of Transportation, Columbus, Ohio.  
Gross Value - \$38,040.00.

D. The Ohio State University Development Fund

1. Gifts of \$5,000 or More

- a. \$35,300.00 from an anonymous donor--\$25,000.00 in support of Jewish Studies and \$10,300.00 to be divided among all the University's colleges, Graduate School, and Department of Athletics.
- b. \$35,222.04 from The Associates of Medicine for the Department of Medicine General Fund.
- c. \$14,500.00 from Ohio Turfgrass Foundation for the Golf Course Superintendents Association of America Research Fund.
- d. \$14,362.08 from American Medical Association Education and Research Foundation for the College of Medicine Faculty Seminar on Medical Education.
- e. \$14,300.00 from the Trust Under the Will of Anna Roessler for the Samuel J. Roessler Memorial Fund.
- f. \$12,737.62 from the Estate of Lucille Morrissey Denney--\$6,368.82 for the Joseph V. Denney Memorial Fund and \$6,368.80 for the College of The Arts Foundation Fund.
- g. \$10,131.51 from Dr. Sidney L. Pressey for the Sidney L. and Alice Pressey Scholarship in Psychology.
- h. \$10,000.00 from an anonymous donor for the Department of Dance Workshop.
- i. \$10,000.00 from The Ohio National Bank for the University Activities Center.
- j. \$7,000.00 from Eli Lilly and Company for the Eli Lilly and Company Organic Chemistry Research Fund.
- k. \$6,250.00 from The Huntington National Bank for the University Activities Center.

III. REPORT OF RESEARCH CONTRACTS, GRANTS, GIFTS, AND AGREEMENTS  
(continued)

D. The Ohio State University Development Fund (continued)

1. Gifts of \$5,000 or More (continued)

- l. \$5,000.00 from Robert H. Fergus for the University Activities Center.
- m. \$5,000.00 from Organon, Inc., for the Renal Disease Research Fund.
- n. \$5,000.00 from Rohm and Haas Company for the Rohm and Haas Company Fund in Chemistry.
- o. \$5,000.00 from the Estate of Lester L. Roth for the College of Law Emergency Fund.

2. Establishment of Named Funds

- a. \$30,000.00 from the Trust of Willard F. Guard for the establishment of the Dr. Willard F. Guard Memorial for Veterinary Surgery.

Dr. Willard F. Guard Memorial for  
Veterinary Surgery

The Dr. Willard F. Guard Memorial for Veterinary Surgery was established July 6, 1973, by the Board of Trustees of The Ohio State University with gifts through the Development Fund by bequest from the Trust of Willard F. Guard, D. V. M. 1912, Professor Emeritus of Veterinary Surgery and Radiology, former Chairman of the Department of Veterinary Surgery and Clinics, a founder of The Equine Practitioners Association and holder of a University Centennial Award.

All gifts are to be invested in the University's Permanent Endowment Fund, under the rules and regulations adopted by the Board of Trustees of the University, with the right to invest and reinvest as the occasion dictates.

The income is to be used in support of graduate study in Veterinary Surgery, and/or research projects pertaining to the field of Veterinary Surgery and related Veterinary Clinical Sciences. The income may be awarded annually, accumulated for larger or multiple awards, or assigned to the principal of this fund, at the discretion of the administrators of the fund.

This is to be a perpetual fund for the support of Veterinary Medicine to which additional gifts may be directed. The fund is to be administered by Professor Richard L. Rudy, D. V. M., in consultation with the Dean of the College of Veterinary Medicine and the Chairman of the Department of Veterinary Clinical Sciences. The Dean shall appoint a senior Professor of Veterinary Clinical Sciences, specializing in Veterinary Surgery, to succeed Dr. Rudy at such time as the latter terminates his active professorship.

III. REPORT OF RESEARCH CONTRACTS, GRANTS, GIFTS, AND AGREEMENTS  
(continued)

D. The Ohio State University Development Fund (continued)

2. Establishment of Named Funds (continued)

- b. \$23,670.17 from gifts through The Ohio State University Development Fund for the establishment of the Business Administration Advisory Council Fund.

Business Administration Advisory Council Fund

The Business Administration Advisory Council Fund was established July 6, 1973, by the Board of Trustees of The Ohio State University with gifts through The Ohio State University Development Fund.

Annual income is to be used to support the business and corporate relations programs of the College of Administrative Science as determined by the Dean of the College.

- c. \$5,000.00 by a bequest from Kenyon S. Campbell for the establishment of the Kenyon Stafford Campbell Fund.

Kenyon Stafford Campbell Fund

The Kenyon Stafford Campbell Fund was established July 6, 1973, by a bequest from Kenyon S. Campbell, B. A. '20, J. D. '22.

The principal is to be invested in accordance with rules and regulations therefor adopted by the Board of Trustees of The Ohio State University, with right to invest and reinvest as occasion dictates.

The income is to be used for the benefit of the College of Law as recommended by the Dean of said College, but limited to those activities not normally supported by legislative appropriated monies. This would not prevent, however, use of income for such items as named professorships or endowed chairs; special collection of books for the Law Library; or similar items.

In the event that the College of Law as it now exists should be altered in any reorganization of University colleges, schools and departments, the Board of Trustees or successor governing body of the University shall direct use of income for purposes within the field of Law as stipulated above, as recommended by the appropriate administrative official of the University then directly responsible for legal education at The Ohio State University.

- d. \$5,000.00 by a bequest from Kenyon S. Campbell for the establishment of the Elsie Kemery Campbell Fund.

III. REPORT OF RESEARCH CONTRACTS, GRANTS, GIFTS, AND AGREEMENTS  
(continued)

D. The Ohio State University Development Fund (continued)

2. Establishment of Named Funds (continued)

Elsie Kemery Campbell Fund

The Elsie Kemery Campbell Fund was established July 6, 1973, by a bequest from Kenyon S. Campbell, B. A. '20, J. D. '22, in honor of his wife, Elsie Kemery Campbell, B. A. '22.

The principal is to be invested in accordance with rules and regulations therefor adopted by the Board of Trustees of The Ohio State University, with right to invest and reinvest as occasion dictates.

The income is to be used for the benefit of the College of Law as recommended by the Dean of said College, but limited to those activities not normally supported by legislative appropriated monies. This would not prevent, however, use of income for such items as named professorships or endowed chairs; special collection of books for the Law Library; or similar items.

In the event that the College of Law as it now exists should be altered in any reorganization of University colleges, schools and departments, the Board of Trustees or successor governing body of the University shall direct use of income for purposes within the field of Law as stipulated above, as recommended by the appropriate administrative official of the University then directly responsible for legal education at The Ohio State University.

- e. \$3,350.00 from The Allstate Foundation for the establishment of The Allstate Foundation Nursing Scholarship Program.

The Allstate Foundation Nursing Scholarship Program

The Allstate Foundation Nursing Scholarship Program was established July 6, 1973, by the Board of Trustees of The Ohio State University with a gift to The Ohio State University Development Fund from the Allstate Foundation.

All gifts are to be invested in the University's Permanent Endowment Fund, under the rules and regulations adopted by the Board of Trustees of The Ohio State University, with the right to invest and reinvest as occasion dictates.



III. REPORT OF RESEARCH CONTRACTS, GRANTS, GIFTS, AND AGREEMENTS  
(continued)

D. The Ohio State University Development Fund (continued)

2. Establishment of Named Funds (continued)

e. The Allstate Foundation Nursing Scholarship Program (continued)

The annual income and/or principal is to be used to provide one or more scholarships for undergraduate students in Nursing who have demonstrated a need for financial assistance. The selection of the recipient is to be made upon the recommendation of the University Scholarship Committee.

Should the need for these scholarships cease to exist or so diminish as to provide unused income, then the income may be used for any purpose whatsoever as determined by the Board of Trustees, with preference being given to recommendations from the appropriate administrative official of the University who is then directly responsible for scholarships.

- f. \$2,742.00 from friends, colleagues, and former students of Harald H. Nielsen for the establishment of the Harald H. Nielsen Memorial Fund.

Harald H. Nielsen Memorial Fund

The Harald H. Nielsen Memorial Fund was established July 6, 1973, by gifts to The Ohio State University Development Fund from friends, colleagues and former students, in memory of Harald H. Nielsen, a member of the Department of Physics faculty from 1930 until the time of his death on January 8, 1973. Professor Nielsen was Chairman of the Department of Physics 1946-1967 and was internationally recognized for his work in and service to the field of infrared spectroscopy.

All gifts are to be invested in the University's Permanent Endowment Fund, under the rules and regulations adopted by the Board of Trustees of the University, with the right to invest and reinvest as occasion dictates.

Annual income is to be used for purposes selected by the Chairman of the Department of Physics and with the approval of the Dean of the College of Mathematics and Physical Sciences, with first consideration to be given to visiting lectureships.

- g. \$1,000.00 from members of Scarlet Mask for the establishment of the Scarlet Mask Alumni Fund.

July 6, 1973 meeting, Board of Trustees

III. REPORT OF RESEARCH CONTRACTS, GRANTS, GIFTS, AND AGREEMENTS  
(continued)

D. The Ohio State University Development Fund (continued)

2. Establishment of Named Funds (continued)

Scarlet Mask Alumni Fund

The Scarlet Mask Alumni Fund was established July 6, 1973, by the Board of Trustees of The Ohio State University with gifts from members of Scarlet Mask to The Ohio State University Development Fund.

All gifts are to be invested in the University's Permanent Endowment Fund, under the rules and regulations adopted by the Board of Trustees of The Ohio State University, with the right to invest and reinvest as occasion dictates.

The annual income is to be used to provide a cash award to a selected student of theatre to recognize distinction or good performance. The selection of the recipient is to be made upon the recommendation of the Chairman of the Department of Theatre and the Dean of the College of The Arts.

Should the need for this award cease to exist or so diminish as to provide unused income, then the income may be used for any purpose whatsoever as determined by the Board of Trustees, with preference being given to recommendations from the appropriate administrative official of the University who is then directly responsible for theatrical training and education.

- h. \$1,000.00 from Paul H. Smucker for the establishment of The Paul H. Smucker Fund.

The Paul H. Smucker Fund

The Paul H. Smucker Fund was established July 6, 1973, by the Board of Trustees of The Ohio State University with a gift to The Ohio State University Development Fund from Paul H. Smucker, Orrville, Ohio.

All gifts are to be invested in the University's Permanent Endowment Fund, under the rules and regulations adopted by the Board of Trustees of The Ohio State University, with the right to invest and reinvest as occasion dictates.

The income is to be used for the benefit of the College of Agriculture and Home Economics as recommended by the dean of that college.

Should the College of Agriculture and Home Economics cease to exist through any reorganization of the University, the income or the principal may then be used by the Board of Trustees, with preference being given to recommendations of the appropriate administrative official of the University who is then directly responsible for agricultural education.

#### IV. APPROPRIATION AND TRANSFER OF FUNDS

In accordance with a requirement of the Auditor of State all transfers made among fund groups during the fiscal year 1972-1973 are reported below:

##### A. Transfer of Earned Indirect Costs

President Enarson reported that in accordance with the policy previously adopted by the Board, earned indirect costs were transferred to Account 149999, University Treasurer General Fund.

Administrative expenses, operation and maintenance of physical plant, library expenses, use allowances, and other indirect costs on grants and contracts of National Science Foundation; U. S. Department of Health, Education, and Welfare; other Federal Agencies; State of Ohio; Corporate and other organizations for fiscal year 1972-1973.

##### National Science Foundation

310131	Physics	Riley	\$ 813.59
310143	Geology	Mayer	734.78
310144	Sociology	Schwirian	4,510.07
310145	Geology	Spieker	2,480.05
310146	Mathematics	Riner	5,020.33
310148	Education	Mayer	912.26
310153	Mathematics	Ross	9,766.97
310154	Engineering	Smith	<u>4,999.00</u>
Total National Science Foundation			<u>\$ 29,237.05</u>

##### U. S. Department of Health, Education, and Welfare

320362	NIH	Medicine - Balcerzak	245.95
320374	NIH	Pharmacy - LaPibus	2,479.10
320375	NIH	Physics - Nelson	2,053.04
320376	NIH	Psychiatry - Gregory	2,850.90
320377	NIH	Psychiatry - Gregory	8,204.64
320378	NIH	School of Nursing - King	2,247.42
320379	NIH	School of Social Work - Medhurst	2,272.33
320380	NIH	Veterinary Pathology - Cole	9,804.37
320381	NIH	Medicine - Warren	5,400.56
320382	NIH	Medicine - Warren	3,697.88
320384	NIH	Psychology - Wickens	1,823.70
320385	NIH	Medicine - Cerilli	5,687.96
320386	NIH	Dentistry - Rosen	1,899.80
320387	NIH	Pharmacology - Hollander	1,825.12
320388	NIH	Physiology - Little	1,683.94
320390	NIH	Surgery - Zollinger	7,151.68
320391	NIH	Dentistry - Trippy	3,550.61
320392	NIH	Veterinary Physiology and Pharmacology - Hamlin	1,209.96

July 6, 1973 meeting, Board of Trustees

IV. APPROPRIATION AND TRANSFER OF FUNDS (continued)

A. Transfer of Earned Indirect Costs (continued)

U. S. Department of Health, Education, and Welfare (continued)

320393	NIH	Medicine - George	\$ 2,258.00
320394	NIH	Pathology - Gruemer	1,489.49
320395	NIH	School of Social Work - Medhurst	1,992.08
320396	NIH	Preventive Medicine - Ellingson	3,117.70
320397	NIH	Psychology - Meyer	1,704.05
320398	NIH	Psychology - Siegel	4,593.20
320399	NIH	Psychiatry - Coddington	2,806.84
320400	NIH	Surgery - Hunt	4,846.07
320402	NIH	Medicine - Skillman	2,769.30
320403	NIH	School of Social Work - Medhurst	827.20
320404	NIH	School of Social Work - Medhurst	1,518.48
320405	NIH	School of Nursing - Sills	6,985.18
320406	NIH	Pharmacology - Marks	4,299.88
320407	NIH	Otolaryngology - Saunders	6,073.37
320408	NIH	Entomology - Wharton	4,795.32
320409	NIH	Psychology - Brock	1,863.33
320410	NIH	Dentistry - Gaston	3,333.00
320412	NIH	Psychiatry - Marks	1,068.22
320414	NIH	Medicine - Greenberger	2,347.00
320415	NIH	Dentistry - Cavalaris	2,514.28
320417	NIH	Psychology - Meyer	1,510.78
320421	NIH	Medicine - Brown	2,036.05
320423	NIH	Medical Microbiology - Bowman	1,803.51
320426	NIH	Medicine - Warren	1,575.00
320427	NIH	Veterinary Physiology and Pharmacology - Hamlin	2,247.89
330057	SRS	Nisonger Center - Gibson	34,209.34
330110	PHS	Regional Medicine Program - Pace	284,389.37
330127	SRS	Physical Medicine - Nagi	12,177.54
330132	PHS	Dentistry - Zacherl	6,000.00
330133	PHS	School of Nursing - Hickey	3,002.70
330139	SRS	School of Social Work - Medhurst	6,472.69
330141	PHS	Preventive Medicine - Keller	6,840.17
330142	PHS	Nisonger Center - Gibson	4,788.05
330144	PHS	Surgery - Vasko	4,773.49
330145	PHS	School of Nursing - Kruse	1,406.97
330148	SRS	Nisonger Center - Bardwell	5,732.32
330149	PHS	School of Nursing - Kalafatic	3,842.22
330150	PHS	Preventive Medicine - Keller	6,486.50
330151	SRS	School of Allied Medical Professions - Woods	887.23
330152	SRS	Sociology - Nagi	593.40
330154	SRS	Speech Communication - Wilcox	707.40
330155	PHS	Nisonger Center - Chase	4,154.74

July 6, 1973 meeting, Board of Trustees

IV. APPROPRIATION AND TRANSFER OF FUNDS (continued)

A. Transfer of Earned Indirect Costs (continued)

U. S. Department of Health, Education, and Welfare (continued)

330156	PHS	School of Allied Medical Professions - Schoen	\$ 3,390.95
330158	PHS	School of Nursing - Pease	4,619.02
330159	SRS	Physical Medicine - Johnson	3,564.49
330188	PHS	Cooperative Extension - Dougan	1,261.96
330189	MCH	Nisonger Center - Cotzin	632.36
340065	OE	Center for Vocational and Technical Education - Taylor	200,000.00
340118	OE	Center for Vocational and Technical Education - Taylor	33,521.47
340119	OE	Graduate School - Yovits	73.77
340133	OE	Graduate School - Johnson	5,923.92
340134	OE	International Programs - Smallwood	100.00
340139	OE	Education - Blanke	1,480.00
340143	OE	Center for Vocational and Technical Education - McCracken	3,439.84
340149	OE	Nisonger Center - Cavin	2,147.86
340150	OE	School of Health, Physical Education, and Recreation - Ersing	2,370.27
340152	OE	Center for Vocational and Technical Education - Miller	18,833.19
340153	OE	Graduate School - Huelsman	20,024.96
340157	OE	Center for Vocational and Technical Education - Taylor	1,825.26
340167	OE	Center for Vocational and Technical Education - Magisos	1,510.57
340173	OE	Agricultural Education - Roediger	<u>7,087.76</u>
Total U. S. Department of Health, Education, and Welfare			<u>\$832,735.96</u>

U. S. Government - Other

390006	AID	India - Education	\$ 27,481.37
390020	AID	Brazil - Agriculture	16,605.92
390034	AID	India - Agriculture	8,007.31
390035	AID	India - Agriculture	3,597.55
390052	AID	Administrative Science - Hurley	5,180.09
390075	NEH	Classics - Cleary	287.65
390077	DOT	Center for Vocational and Technical Education - Miller	3,833.42
390078	DOL	Administrative Science - Kelley	2,778.00
390082	WPCA	Graduate School - Washington	4,374.70

July 6, 1973 meeting, Board of Trustees

IV. APPROPRIATION AND TRANSFER OF FUNDS (continued)

A. Transfer of Earned Indirect Costs (continued)

U. S. Government - Other (continued)

390085	DOT	Center for Vocational and Technical Education - Miller	\$ 3,612.98
390091		Wright Patterson Graduate Center	1,847.49
390092		Peace Corps - Agriculture	918.49
390093	AID	Uganda - Agriculture	8,799.47
390101		Peace Corps - Tunisia - Agriculture	<u>1,162.56</u>
Total U. S. Government - Other			<u>\$ 88,487.00</u>

Miscellaneous

410096		State Department of Education - Lux	\$ 1,647.75
410113		State Department of Education - Miller	2,514.80
410116		State Division of Mental Hygiene - Administrative Science	502.50
410122		Bureau of Employment Services - Administrative Science	1,568.00
522925		INCRA Fellowship - Welding Engineering	1,666.00
531095		Ford Foundation - Nelson	1,340.00
531186		Public Administrative Service - Agriculture	1,762.50
531208		Ohio Nursing Home Association - Administrative Science	7,564.30
531211		Ford Foundation - Wagstaff	<u>12,000.00</u>
Total Miscellaneous			<u>\$ 30,565.85</u>

Grand Total \$981,025.86

B. Transfers to Plant Funds

President Enarson reported for information and the record that during the fiscal year 1972-1973, the following transfers were made from current funds to plant funds.

<u>Account Description</u>	<u>B/A</u>	<u>Transferred from B/A</u>	<u>Amount</u>
Laboratory Animal Center	801021	134620	\$ 857.55
Edward S. Drake Union	801083	149997	34,100.00
Dieter Cunz Hall of Languages	801129	149999	(305.00)
Marion Academic Facility	801141	120956	(5,375.00)
		130956	(2,312.74)

July 6, 1973 meeting, Board of Trustees

IV. APPROPRIATION AND TRANSFER OF FUNDS (continued)

B. Transfer to Plant Funds (continued)

<u>Account Description</u>	<u>B/A</u>	<u>Transferred from B/A</u>	<u>Amount</u>
Boiler Conversion	801143	149999	\$ (375.93)
Physical Education Building Remodeling	801161	256796	(14,603.36)
Hagerty Hall Remodeling	801171	149999	(5,652.00)
McCracken Power Plant Boilers	801179	149999	(1,349.89)
Cockins Hall Remodeling	801181	129060	(1,404.00)
Olentangy Freeway Relocation	801211	125064	4,044.86
Dentistry Building Addition	801222	132100	1,429.30
Ohio Stadium - Artificial Turf	801226	522740	691.00
		999000	1,584.83
Lima Parking Improvement	801242	921353	20,000.00
Lima Recreation Court	801246	149939	(72.00)
Arps Ramp Sealing	801250	921300	(1,608.10)
Telecommunications - Equipment	801254	149997	90,000.00
Ohio Stadium - Lighting	801256	999000	42,000.00
Neil Hall Improvement	801258	920600	600,000.00
Land Purchases	801262	149996	161,250.00
		149997	54,000.00
Clinical Medical Sciences Educational Facility	801266	960200	159,328.50
Marion Academic Facility Remodeling	801268	149969	34,529.00
McCracken Power Plant - Fuel Storage	801270	149997	130,000.00
Campus Lights	801271	921300	27,000.00
Hitchcock Hall Air Conditioning	801273	124220	39,932.00
Fawcett Center for Tomorrow	801274	149997	17,778.41
Bicycle Paths	801275	149997	21,186.00
Derby Hall Remodeling	801276	149996	39,904.00
Food Facility - Water Line	801277	149997	19,086.06
Dodd Hall - Parking Lot	801280	921300	68,735.00
Polo Field - Parking Lot	801281	921300	48,179.00
Hamilton Hall Air Conditioning	801283	149997	32,229.00
Comparative Medical Teaching and Research Facility	801290	122905	1,200.00
		132900	5,000.00
		149997	397,993.25
		159375	4,250.00
		531041	179,024.05

July 6, 1973 meeting, Board of Trustees

IV. APPROPRIATION AND TRANSFER OF FUNDS (continued)

B. Transfer to Plant Funds (continued)

<u>Account Description</u>	<u>B/A</u>	<u>Transferred from B/A</u>	<u>Amount</u>
Sisson Hall Air Conditioning	801291	330115	\$ 169,607.00
Parking Lots - West 10th and West 11th	801292	921300	17,310.00
Goss Laboratory Cancer Facility	801293	125908 531041	5,758.97 21,741.03
President's Residence	801294	292842	140,000.00
University Activities Center	801295	522851	200,000.00
University Hospital Capital Reserve	809998	960200	<u>1,540,000.00</u>
Total			<u>\$4,296,670.79</u>
*	*		*

V. PLANS AND SPECIFICATIONS

At the request of the Acting Vice President for Administrative Operations, the President recommended that the plans and specifications, bills of materials, and estimates of cost for the following projects be approved by the Board of Trustees:

A. McPherson Laboratory--Repair and Replacement  
of Roof and Deck

This project will repair and replace the roof and roof deck on the sawtooth portion of McPherson Laboratory. This work is necessary due to deterioration.

Funds are budgeted in Budget Account 125064 (Contract Repair).

B. Newark Campus--New Parking Facility

This project will provide 400 additional parking spaces. The work also includes embankment construction, installation of a storm sewer, lighting, landscaping, and related improvements.

Funds are budgeted in Budget Account 801285 (Newark Campus--Parking Facility).



V. PLANS AND SPECIFICATIONS (continued)

C. University Hospital--Equipment Room Ventilation

This project will reduce the equipment room temperature during summer months which will minimize service interruptions and increase equipment life. Equipment located in this area includes air conditioning apparatus and elevator machinery.

Funds are budgeted in Budget Account 801282 (University Hospital Ventilation).

Upon motion of Mr. Safford, seconded by Mr. Harrod, the above recommendations were approved by unanimous roll call vote, and the Secretary was authorized and directed to sign the plans and specifications for the above projects for and on behalf of the Board of Trustees. Acting Vice President Zimmerman was directed to proceed with a request for bids in the normal University manner and if satisfactory bids are received, to proceed with the award of contracts. All action regarding this matter will be reported to the Board of Trustees at a later meeting.

\*

\*

\*

VI. REPORT OF AWARD OF CONTRACTS

In accordance with authorization provided by the Board of Trustees, bids were taken on the projects listed below and the contracts were recommended for award. The action reported to the Board was as follows:

A. Dodd Hall--South Parking Lot Renovation

	<u>Low Bid</u>	<u>Est. of Cost</u>
<u>General Contract</u>		
(6 bids received 5-25-73)		
Floyd H. Baker Corporation (Columbus)	\$31,810.00	\$52,225.00
<u>Electrical Contract</u>		
(4 bids received 6-14-73 - Rebid)		
Gustav Hirsch Organization (Columbus)	<u>6,838.00</u>	<u>12,200.00</u>
<u>Total All Contracts</u>	<u>\$38,648.00</u>	<u>\$64,425.00</u>

Funds for this project have been provided from Budget Account 801280 (Parking Lot--Dodd Hall).

July 6, 1973 meeting, Board of Trustees

VI. REPORT OF AWARD OF CONTRACTS (continued)

B. Mansfield Campus--Repair and Resurface Parking Facilities

	<u>Low Bid</u>	<u>Est. of Cost</u>
<u>General Contract</u> (1 bid received 6-19-73 - Rebid)		
Mansfield Asphalt Paving Company (Mansfield, Ohio)	\$27,988.40	\$28,500.00

Funds for this project have been provided from Budget Account 120942 (Mansfield Fund).

Upon motion of Mr. Safford, seconded by Mrs. James, the above award of contracts and expenditure of funds were approved and the action of the Acting Vice President for Administrative Operations was ratified by unanimous roll call vote.

\* \* \*

VII. REPORT OF CONTROLLING BOARD ACTIONS PERTAINING TO THE OHIO STATE UNIVERSITY

- 22 Approves the release of \$166,500 from HB 988, Item 315-074 (Utilities and Renovations) for the award of contracts on the project known as "Sisson Hall--Air Conditioning and Electrical Renovation."
- 23 Approves the release of \$98,453 from HB 988, Item 315-074 (Utilities and Renovations) for the purchase of equipment necessary for the project known as "Substation C - Underground Cables and Equipment."

\* \* \*

VIII. MISCELLANEOUS FROM OFFICE OF ADMINISTRATIVE OPERATIONS

A. University Airport, Ground Control Landing Approach System

The Federal Aviation Administration has requested to lease 3.25 acres of land at the University Airport to install a MALSR (ground approach lighting system) along the center line of Runway 9R from a point 200 feet west of the runway west end to a point 2,400 feet west of the runway west end. This will improve aircraft safety for all users of the University Airport. The University will agree to this lease with the understanding that the Federal Aviation Administration will assume full cost of this installation.

It was recommended that the President and/or Acting Vice President for Administrative Operations be authorized to request that the Director of Public Works, pursuant to his statutory duties, act on behalf of the University in developing the necessary legal instruments to provide this lease.

VIII. MISCELLANEOUS FROM OFFICE OF ADMINISTRATIVE OPERATIONS (continued)

B. Easement - Lima Campus - Trans-Ohio Pipeline Company

The Trans-Ohio Pipeline Company has requested a pipeline easement on State of Ohio lands that have been designated for the use of The Ohio State University, Lima Campus. Payment for this easement is \$3,375. This easement will be granted for a period of, not to exceed 15 years, subject to renewal. This is in accordance with the standard operating procedure, State of Ohio, Department of Public Works.

It was recommended that the President and/or Acting Vice President for Administrative Operations be authorized to request that the Director of Public Works, pursuant to his statutory duties, act on behalf of the University in developing the necessary legal instruments to provide for the pipeline easement.

C. Aircraft, Hangar Keepers and Student Flight Insurance

Coverage under the existing contracts is expiring. Competitive bids were solicited and received June 4, 1973, to extend the above coverage. In each case alternative specifications were invited, with the University reserving the right to select the alternatives which, in its judgment, provided the best coverage commensurate with the cost involved. An analysis revealed that the Ohio Casualty Insurance Company, John B. Koch, Agent, submitted the lowest and best proposal with a bid of \$69,524.72 for a three-year period.

It was recommended that the President and/or Acting Vice President for Administrative Operations be authorized to award the Ohio Casualty Insurance Company the contracts covering aircraft, hangar keepers and student flight insurance, effective on the expiration of the present contracts.

D. Building, Contents, Boiler, Machinery and Auto Insurance

Coverage under the existing contracts is expiring. Competitive bids were solicited and received June 4, 1973, to extend the above coverage. In each case alternative specifications were invited, with the University reserving the right to select the alternatives which, in its judgment, provided the best coverage commensurate with the cost involved. An analysis revealed that the Buckeye Union Insurance Company, with Atkinson-Dauksch Agencies, Inc., and John H. Gardiner Agency as servicing agencies submitted the lowest and best proposal with a bid of \$104,299 for a three-year period.

It was recommended that the President and/or Acting Vice President for Administrative Operations be authorized to award the Buckeye Union Insurance Company the contracts covering building, contents, boiler, machinery and auto insurance, effective on the expiration of the present contracts.

Upon motion of Mr. Safford, seconded by Mr. Gushman, the above recommendations were approved by unanimous roll call vote.

\*

\*

\*

July 6, 1973 meeting, Board of Trustees

IX. REPORTS

A. Report from the Retirement and Insurance Committee

1. Tax Deferred Annuity Proposal

Mr. Gushman, Chairman of the Retirement and Insurance Committee, presented on behalf of the Committee the following recommendation:

In accordance with Section 403 (b) of the United States Internal Revenue Code, Public Law 87-370, and Section 9.90 of the Ohio Revised Code it is recommended that a Tax Deferred Annuity program be made available to all eligible employees of The Ohio State University.

It is further recommended that four companies, selected on the basis of specific bid proposals, be authorized to enroll and service this Tax Deferred Annuity program in accordance with each company's bid proposal and in full compliance with the rules and regulations of this University.

Teachers Insurance and Annuity Association and College  
Retirement Equities Fund  
Variable Annuity Life Insurance Company  
Prudential Life Insurance Company of America  
Aetna Variable Annuity Life Insurance Company

It is further recommended that the Acting Vice President for Administrative Operations be authorized to enter into an agreement in support of the University's Tax Deferred Annuity program with each of the above companies with the understanding that each such agreement be reviewed on a periodic basis to determine its suitability, but in no case should the period of review exceed three years.

Finally, it is recommended that the Acting Vice President for Administrative Operations be charged with the responsibility for the development of the necessary administrative procedures in support of this program.

Upon motion of Mr. Gushman, seconded by Mr. Safford, the Board of Trustees approved the foregoing recommendation by unanimous roll call vote.

Mr. Devenow proposed that Paragraph 3 in this recommendation include the following condition:

". . . above companies including the condition that any such agreements are within the Phase IV guidelines of the Wage-Price Board and . . ."

Mr. Gushman and Mr. Safford accepted the addition to the recommendation.

Mr. Hilliker commended and thanked Mr. Gushman, Mrs. James, and Dr. Sirak for the outstanding job they have done on this Committee and cited this Committee as an example of how a Committee can work to the betterment of this University.

July 6, 1973 meeting, Board of Trustees

IX. REPORTS (continued)

B. Report on the University's Investment Portfolio

The report dated July 6, 1973, as submitted to the Finance and Investment Committee of the Board of Trustees by Mr. Ernest W. Leggett pertaining to the University's Investment Portfolio, was received and ordered to be filed with the official records of the Board of Trustees.

\*

\*

\*

X. COMMITTEE APPOINTMENTS

Mr. Hilliker made the following statement preceding the appointment of the committees for 1973-74:

At this time, it is my desire to make the new committee appointments which will be in effect, beginning today until May of 1974. I alluded to these committees at the last meeting. I don't think that it is necessary that I repeat again the charges that were made to these committees but I would like to say that this committee structure which I am proposing is one which is used widely, not in all universities, but in many. It is also used widely in business. We are within a very, very complex city--a city within a city--a university with some \$288,000,000.00 worth of budget. The development of this committee structure is an attempt, at least a step, to bring this Board and the various segments of this University closer together. I am talking about students. I am talking about faculty. I am talking about the administration. I am talking about everybody connected with The Ohio State University.

I want to repeat what I said at the last meeting and I want to be sure that it is understood that these committees have absolutely no power. They have no vote as a committee. They are formed to help advise the President. They are formed hopefully to provide more input from the various segments of this University. The Chairman of each committee has the charge of calling a meeting of his committee at any time, any place. He may invite anyone and hopefully thus will reach out and include students and faculty as the various issues are considered. The Chairmen then will bring recommendations to this Board in a public meeting and this Board will hear, accept, reject, or modify such recommendations.

In appointing these committees, I want to re-emphasize that statement. I want to be honest with you. It is an increased work load for each of you but if this Board is to fulfill its statutory responsibility, we have got to be prepared to work a little harder. This committee structure is based upon what I consider to be a very favorable experience during the tenure of Mr. Shocknessy as Chairman in which he saw fit to reactivate the Insurance Committee.

July 6, 1973 meeting, Board of Trustees

X. COMMITTEE APPOINTMENTS (continued)

Mr. Hilliker's statement (continued)

I have already alluded to the fine job that Committee has done. He also created the OARDC Agenda Review Committee of which I was a member and which was chaired by Mr. Dunlap and I know, that this Committee was very effective in resolving some problems and misunderstandings between this Board and the administration at Wooster. So, these committees should assist this Board hopefully in furthering its work.

It might appear to some that the Board is delegating and fragmenting its responsibility through this approach. This simply is not the case. It is not true. These are resource committees. They are not delegated any authority to act on behalf of the Board thus the authority of this Board is not pre-empted or diluted in any way. But hopefully it is re-enforced with a comprehensive committee review structure. I asked the Secretary to mail all members of the Board a memorandum soliciting their interests in service on these committees. As you well know, you all can't serve on the same committee and thus there were preferences which I was not able to honor.

The committee membership will be as follows:

Committee Appointments - 1973-74

Finance Committee

William C. Safford, Chairman  
M. Merle Harrod, Vice Chairman  
John H. Dunlap  
Howard D. Sirak

Educational Affairs Committee

John L. Gushman, Chairman  
John H. Dunlap, Vice Chairman  
Patricia D. James  
Howard D. Sirak

Insurance Committee

Chester Devenow, Chairman  
Patricia D. James, Vice Chairman  
Howard D. Sirak

Buildings and Grounds Committee

M. Merle Harrod, Chairman  
Chester Devenow, Vice Chairman  
John L. Gushman

July 6, 1973 meeting, Board of Trustees

X. COMMITTEE APPOINTMENTS (continued)

Committee Appointments - 1973-1974 (continued)

OARDC Agenda Review Committee

John H. Dunlap, Chairman  
Gene R. Abercrombie, Vice Chairman  
William C. Safford

Research Foundation Board of Directors  
(Three-year term, July 1, 1973 - June 30, 1976)

John H. Dunlap

Development Fund Board of Directors  
(One-year term)

Patricia D. James  
Chester Devenow

Upon motion of Mr. Safford, seconded by Mrs. James, the Board of Trustees approved the above nominations for committees for 1973-1974 by unanimous voice vote.

Mr. Shocknessy then made the following statement:

So there won't be any misunderstanding by the people here attending this Board meeting, I advised the Chairman of the Board that I chose not to serve as Chairman of one of the committees. The Chairman asked me to serve as Chairman of the Educational Affairs Committee of which he has now appointed Mr. Gushman, Chairman. I chose, for reasons satisfactory to me and I hope to the Chairman, not to accept the Chairmanship of that committee and I also advised him that during this last year of my term I would choose to serve as a member-at-large to contribute anything to the University from the experience that I have had with the University over the years rather than to be confined to the Chairmanship responsibility or to membership on any specific committee. So, if that's agreeable with you, Mr. Chairman, I'd be glad to be invited by anybody who thinks I could offer anything.

Mr. Hilliker then said

Well, I would be less than honest, Jim, if I didn't say that I was disappointed when you saw fit not to serve on the Educational Affairs Committee. However, I see your point and I will respect your wishes in this regard.

Mr. Shocknessy said "I'm glad you amplified your understanding and interpretation of the charges because I wasn't altogether agreed with the specification that you gave last time but the amplification, I think, is helpful."

July 6, 1973 meeting, Board of Trustees

X. COMMITTEE APPOINTMENTS (continued)

Mr. Hilliker responded

Well, I believe, if you will go back to the minutes of the last meeting, you will find that I tried to make it very clear that these were review committees only and in no way were to have any power, any vote, nor could they take any action on behalf of this Board.

\* \* \*

XI. CHANCELLOR OF BOARD OF REGENTS

A resolution was offered by Mr. Shocknessy, seconded by Mr. Safford, offering the Board's congratulations and best wishes and cooperation to the new Chancellor of the Board of Regents, Dr. James A. Norton, who assumed office July 1.

The above resolution was approved by unanimous vote.

\* \* \*

XII. REPORT ON INVITATIONS

Mr. Hilliker reported that the Board had received two invitations:

- (1) an invitation by Mr. Mount to conduct the April 1974 meeting at the Lima Campus
- (2) an invitation by Director Kottman to conduct the October meeting in Wooster or in Columbus as was done in the past. At this time, the Board will be provided with a brief review of the research programs being conducted in Wooster.

\* \* \*

XIII. REPORT ON WOSU

President Enarson made the following report:

If I may just have one minute, I would like to report to a waiting world in Central Ohio that the "Friends of WOSU" have contributed \$20,000 which has been extremely helpful; and as of several days ago, I instructed our folks to make a partial restoration of the services. They tell me it can be done, effective August 1. Television programming will be resumed on Sundays from 7:00 p.m. to 11:00 p.m., and AM-FM split programming will resume Monday through Friday, 7:00 a.m. to 11:30 a.m. This restoration of services is based, of course, on the honoring of pledges of those who joined the "Friends of WOSU" and I hope that now the letters will subside.

\* \* \*



July 6, 1973 meeting, Board of Trustees

Thereupon the Board adjourned to meet Friday, September 7, 1973, at The Ohio State University Fawcett Center for Tomorrow, Columbus, Ohio, at 1:30 p.m.

Attest:

\_\_\_\_\_  
Edward Q. Moulton  
Secretary

\_\_\_\_\_  
Don M. Hilliker  
Chairman

Page 50 Blank

APPENDIX I

Degrees Conferred at  
THE OHIO STATE UNIVERSITY  
COMMENCEMENT CONVOCATION

August 31, 1973

Page 52 Blank

## **Distinguished Service Awards**

### **Harold P. Fawcett**

An illustrious teacher and author, Harold Fawcett is nationally known as an innovator in mathematical reasoning and understanding, and was instrumental in the development of the revolutionary "new" mathematics concept. His encouragement of many Ohio State University students to attain distinctions of their own, and his leadership of the Department of Education and the University Planning Committee demonstrate his professional acumen. The Ohio State University recognizes his dedication by conferring upon Harold P. Fawcett the Distinguished Service Award.

### **Alfred B. Garrett**

A noted scientist and educator, the fresh thinking and enthusiasm which Alfred Garrett has demonstrated by his accomplishments as an author, teacher, and researcher, have marked him as a significant leader in the academic community. His effective guidance as Vice President for Research at the Ohio State University came at an important time in the development of increased quality programs and expanded opportunities for the University. The Ohio State University recognizes his dedication by conferring upon Alfred B. Garrett the Distinguished Service Award.

### **John H. Herrick**

The adept planning and keen perception of John Herrick have been effectual in The Ohio State University's continued broadening of facilities to serve higher education. Developing a carefully delineated blueprint for progress, he has applied perspective and thoroughness to designing the campus for tomorrow, achieving a balance between form and function. The Ohio State University recognizes his dedication by conferring upon John H. Herrick the Distinguished Service Award.

### **Frederick Stecker**

A civic and collegiate leader, Frederick Stecker has left an indelibly beneficial mark on The Ohio State University and the community at large. As Director of the Ohio Union and Executive Director of University Relations, his personal interactions with students and citizens have distinguished him as a man deeply involved in human progress. The Ohio State University recognizes his dedication by conferring upon Frederick Stecker the Distinguished Service Award.

## Graduate School

Dean: Arliss L. Roaden

### Doctor of Arts

One candidate

David Terry Paul, Dayton  
B.B.A., M.B.A. (University of Cincinnati); M.A.  
*Dissertation*: A Primer in Economics Professional Project  
*Field of Specialization*: Economics

### Doctor of Philosophy

Two hundred and sixty-two

Michael Fred Adams, Nashville, Tenn.  
B.A. (David Lipscomb College); M.A.  
*Dissertation*: A Critical Analysis of the Rhetorical Strategies of Senator Howard H. Baker, Jr. in his 1972 Campaign for Re-Election  
*Field of Specialization*: Speech Communication

Sabah Naji Al-Abbassy, Abu-Ghuraib, Iraq  
B.V.M. (University of Baghdad); M.S.  
*Dissertation*: Development of Trypanosoma cruzi in Cell Cultures, with Studies on the Nature of the Surface Charge and the Fine Structure of the Trypomastigote and Epimastigote Forms  
*Field of Specialization*: Microbiology

Thomas Harrell Allen, Palestine, Tex.  
B. J. (University of Texas); M.S. (West Virginia University)  
*Dissertation*: An Examination of the Communicative Interaction between the United States and the People's Republic of China from January 1969 to February 1972.  
*Field of Specialization*: Speech Communication

Mohamed Sami Anwar, Cairo, Egypt  
B.A. (Ein Shams University); M.A. (American University); M.A.  
*Dissertation*: The Grammatical Theory of Contrastive Analysis: A New Approach  
*Field of Specialization*: Education

Eugene Arthur Armour, Granger, Ind.  
B.S. (Purdue University)  
*Dissertation*: The Synthesis and Chemistry of 1,4-Bridged Bicyclo [2.1.0] Pentanes  
*Field of Specialization*: Chemistry

Kenneth Allen Bachmann, Columbus  
B.S. Phar.  
*Dissertation*: Phenylbutazone and Warfarin: Aspects of Their Interaction in the Dog  
*Field of Specialization*: Pharmacy

Richard Warman Bailey, Gambier  
B.S.  
*Dissertation*: The Use of a Pseudo Random Binary Reactivity Input and the Resulting Gamma Ray Fluctuations to Determine the Transfer Function of a Nuclear Reactor  
*Field of Specialization*: Nuclear Engineering

Dale LeRoy Baker, Columbus  
A.B. (West Liberty State College); M.A.  
*Dissertation*: A Study of Self-Evaluation of Elementary Education: A Consensus Approach  
*Field of Specialization*: Education

Ruth E. Bamberger, Columbus  
B.S. Ed. (Nazareth College); M.A.  
*Dissertation*: Determinants of Policy Orientations and Likemindedness of Local Party Elites: The Case of Franklin County, Ohio  
*Field of Specialization*: Political Science

John William Bardo, Cincinnati  
B.A. (University of Cincinnati); M.A. (Ohio University)  
*Dissertation*: An Empirical Analysis of an Application of Lewis Mumford's Theories of Community Planning  
*Field of Specialization*: Sociology

Robert William Batchellor, Glenside, Pa.  
B.S. (Saint Francis College, Pennsylvania); M.S.  
*Dissertation*: The Development of the General Chemistry Program at The Ohio State University  
*Field of Specialization*: Education

Mohinder Singh Bathala, Karnal, India  
B. Pharm., M. Pharm. (Punjab University)  
*Dissertation*: Part I Determination of the Absolute Configuration of B-Arylethanolamines and Related Substances Using CD Measurements of Cupra A Solutions Part II Investigation of the Antimicrobial Agents from Ptelea trifoliata L.  
*Field of Specialization*: Pharmacy

Ronald Roy Bellamy, Fanwood, N. J.  
B.S. in Chem. E. (Lehigh University); M.S.  
*Dissertation*: The Adsorption of Elemental Iodine and Methyl Iodine on Activated Charcoal from Flowing Air Streams at Low Inlet Concentrations  
*Field of Specialization*: Nuclear Engineering

Martin Beller, Huntington Station, N. Y.  
B.A. (C.W. Post College, Long Island University); M.A.  
*Dissertation*: Shakespeare's Editors, 1709-1857  
*Field of Specialization*: English

Richard Allen Bieberich, Preble, Ind.  
B.S. (Ball State University); M.S.  
*Dissertation*: Bounded Functions with No Spectral Gaps  
*Field of Specialization*: Mathematics

Juan David Blejer, Mexico, D.F., Mexico  
Lic. (Universidad Nacional Autonoma de Mexico); M.A. (University of California, Santa Barbara)  
*Dissertation*: Objective and Subjective Measures of Leisure: An Argentinian Sample  
*Field of Specialization*: Sociology

Edward William Bohlander, Jr., Cincinnati  
B.S.Ed.; M.A. (Ball State University)  
*Dissertation*: Shock Probation: The Use and Effectiveness of an Early Release Program as a Sentencing Alternative  
*Field of Specialization*: Sociology

James Christopher Boison, Kettering  
B.M.E., M.M.E. (Syracuse University)  
*Dissertation*: Investigation of Test Facility Environmental Factors Affecting Shock Tube Sidewall Boundary Layer Transition  
*Field of Specialization*: Aeronautical and Astronautical Engineering

- Charles Hathaway Bowers, Oxford  
B.S. (United States Naval Academy); M.S.  
*Dissertation*: Transient Analysis of Heat Pipes with Applications to Selected Experiments and a Conceptual Reactor Design  
*Field of Specialization*: Nuclear Engineering
- Rennie William Brantz, Crete, Neb.  
B.A. (Doane College); M.A.  
*Dissertation*: Anton Erkelenz, The Hirsch-Duncker Trade Unions, and the German Democratic Party  
*Field of Specialization*: History
- Jacqueline Conner Bresnahan, Akron  
B.A. (Kent State University); M.A.  
*Dissertation*: Synergies and Reciprocities in the Behavioral Effects of Combinatorial Ablations of the Septal and Amygdalar Components of the Limbic System of the Rat  
*Field of Specialization*: Psychology
- Larry Davis Browning, Chickasha, Okla.  
B.S.Ed., M.A. (University of Oklahoma)  
*Dissertation*: Developing a Grounded Communication Theory: An Approach to Interpersonal Behavior in an Organization  
*Field of Specialization*: Speech Communication
- Roy Andrew Buckingham, Aransas Pass, Tex.  
B.S., M.Ed. (Texas Agricultural and Mechanical University)  
*Dissertation*: An Identification and Evaluation of Selected Praxiological Inputs for the Preparation of Construction Technology Teachers in Industrial Arts Education  
*Field of Specialization*: Education
- David Leroy Buettner, East Alton, Ill.  
B.S. (Southern Illinois University); M.Ed. (University of Illinois)  
*Dissertation*: Priorities for the Further Development of Career Education  
*Field of Specialization*: Education
- Charles Gregory Buntz, Iowa City, Ia.  
B.B.A., M.A. (University of Iowa); M.A.  
*Dissertation*: The Columbus Ohio Manpower Service Matrix: An Evaluation  
*Field of Specialization*: Public Administration
- Suzanne Shute Burkholder, Eaton  
B.S.Ed., M.A.  
*Dissertation*: The Process of Experiencing as Reported by Students Participating in a Field Based Education Program  
*Field of Specialization*: Education
- Robert Sheets Bussom, Shelby  
B.S.Bus.Ad., M.B.A.  
*Dissertation*: Cybernetic Modeling in Health: An Application to Head Nurse Behavior  
*Field of Specialization*: Business Administration
- David Medford Butler, Trotwood  
B.S.Ed., M.A.  
*Dissertation*: An Historical Investigation and Bibliography of Nineteenth Century Music Psychology Literature  
*Field of Specialization*: Music
- Jimmie Louis Cal, Huntsville, Ala.  
B.S. (Alabama State College); M.Ed. (Tuskegee Institute)  
*Dissertation*: The Effects of Interval Bench Stepping on the Metabolic Energy Mechanisms  
*Field of Specialization*: Physical Education
- Richard Kendall Childers, Catlin, Ill.  
B.S. (University of Illinois); M.S.  
*Dissertation*: Fine Structure in the Thermal Resistance of Helium II  
*Field of Specialization*: Physics
- William James Clark, Berea  
B.A. (Baldwin-Wallace College); M.A. (Western Reserve University)  
*Dissertation*: Development and Validation of a Basketball Potential Skill Test  
*Field of Specialization*: Physical Education
- Frederick Marsh Coggin, Salisbury, N. C.  
A.B. (Catawba College); M.F.A. (University of Georgia)  
*Dissertation*: The Pantomimes of Augustus Harris: Drury Lane 1879-1895  
*Field of Specialization*: Theatre
- Philip Leonard Cooley, Flint, Mich.  
B.M.E. (General Motors Institute); M.B.A. (University of Hawaii)  
*Dissertation*: Return Distributions: A Multidimensional Analysis of Institutional Investor Perception and Preference  
*Field of Specialization*: Business Administration
- Lawrence Allen Coon, Rochester, N. Y.  
A.B. (University of Rochester); M.A. (Oakland University)  
*Dissertation*: Long Term Effects of Acceleration on Undergraduate Calculus Students in the Crimel Program at The Ohio State University  
*Field of Specialization*: Education
- Lonnie Gene Cordell, Wheeling, Ill.  
A.B. (Upper Iowa University); M.Ed. (University of Illinois)  
*Dissertation*: The Effect of Structured Group Counseling on the Self-Concept, Attendance, and Achievement of Absentee-Prone High School Students  
*Field of Specialization*: Education
- Richard Ellsworth Crable, Delaware  
B.A. (Bowling Green State University); M.A.  
*Dissertation*: Rhetoric as Architectonic: Burke, Perelman, and Toulmin on Valuing and Knowing  
*Field of Specialization*: Speech Communication
- Glenn Douglas Crater, Dobson, N. C.  
B.S., M.Ed. (North Carolina State University at Raleigh)  
*Dissertation*: The Effect of Different Forms of Nitrogen on Growth, Nitrogen Content, Stem Strength, and Keeping Quality of the Standard Chrysanthemum (*Chrysanthemum morifolium*, Ramat) 'Giant #4 Indianapolis White'  
*Field of Specialization*: Horticulture
- Duane Boyd Crum, Chicago, Ill.  
B.S. (University of Illinois); M.S.  
*Dissertation*: Properties of the Surface and Superfluid Film of Dilute <sup>3</sup>He-<sup>4</sup>He Mixtures at Low Temperatures  
*Field of Specialization*: Physics

- James Eugene Cummins, Pioneer  
B.S.Agr., M.S.  
*Dissertation*: A Follow-up of Technical Agricultural Graduates and Dropouts in Ohio  
*Field of Specialization*: Agricultural Education
- Deborah Davis, Houston, Tex.  
B.A. (University of Texas)  
*Dissertation*: Physical Pleasuring in the Human Dyad: Effects of Sex Combinations and the Attractiveness and Responsiveness of the Recipient  
*Field of Specialization*: Psychology
- Robert Hess Denlinger, Columbus  
D.V.M. (University of Pennsylvania)  
*Dissertation*: Experimental Studies on Nervous System Tumors Induced by Resorptive Nitrosoureas  
*Field of Specialization*: Veterinary Pathobiology
- Douglas Leon Denton, Davenport, Ia.  
B.S. Chem. (Iowa State University); M.S.  
*Dissertation*: The Preparation and Nuclear Magnetic Resonance Studies of Magnesium, Zinc and Cadmium Derivatives of Hexaborane(10) and Nonahydrohexaboratobis(cyclopentadienyl)titanium (III)  
*Field of Specialization*: Chemistry
- Louis Michael DeSantis, Columbus  
B.S.Pharm.  
*Dissertation*: Stereoselectivity of the Adrenergic Receptor Mediating Fat Cell Lipolysis and Cyclic AMP Level  
*Field of Specialization*: Pharmacy
- Stephen Roy Dillon, Columbus  
B.E.E., M.S.  
*Dissertation*: Computer Assisted Equation Generation in Linkage Dynamics  
*Field of Specialization*: Electrical Engineering
- Gerald Richard Doan, Marion  
B.M. (Ohio Wesleyan University); M.A.  
*Dissertation*: An Investigation of the Relationships Between Parental Involvement and the Performance Ability of Violin Students  
*Field of Specialization*: Music
- James Alfred Drake, Columbus  
B.A. (College of Saint Mary of the Springs)  
*Dissertation*: Argument Analysis and Practical Reasoning in the Context of Educational Theory and Practice  
*Field of Specialization*: Education
- Sahibsingh Amulsingh Dudani, Bombay, India  
B.Tech. (Indian Institute of Technology, India); M.S.  
*Dissertation*: An Experimental Study of Moment Methods for Automatic Identification of Three-Dimensional Objects from Television Images  
*Field of Specialization*: Electrical Engineering
- James Rudolf Eckardt, Prospect Heights, Ill.  
B.S. (University of Illinois); M.S. (Cornell University)  
*Dissertation*: The Surface Tension of  $^4\text{He}$  from 0.3K to  $T_{\lambda}$   
*Field of Specialization*: Physics
- Denzil Edge, Lexington, Ky.  
B.S. (Brescia College); M.A. (Georgetown College)  
*Dissertation*: Ohio's Instructional Resource Center Network: A Needs Assessment  
*Field of Specialization*: Education
- Donald Ray Edmonds, Roselle, N. J.  
A.B., B.S. (Rutgers-The State University); M.S.  
*Dissertation*: Sequential Detection and Control in a Decision Adaptive Estimation System  
*Field of Specialization*: Industrial Engineering
- Glenn Leroy Ehlers, Bristol, Tenn.  
B.S., M.A. (East Tennessee State University)  
*Dissertation*: Professional Growth Activities and Needs of Practicing Ohio Industrial Arts Teachers  
*Field of Specialization*: Education
- David Engleman, Cleveland  
B.A., B.S.Ed., M.Ed. (Kent State University)  
*Dissertation*: Comparative Study of Adaptive Behavior of Ohio Educable Mentally Retarded and Normal Children  
*Field of Specialization*: Education
- Linda Jean Enloe, Decatur, Ga.  
A.B. (University of Georgia); M.A.  
*Dissertation*: Mediation of Septal-Amygdaloid Social Reciprocity by Some Midbrain and Diencephalic Structures  
*Field of Specialization*: Psychology
- Carol Dawn Erdman, Quinnesec, Mich.  
B.Mus. (University of Michigan)  
*Dissertation*: The Effects of Didactic Modeling and Laboratory Training on the Display of Counselor Expertness  
*Field of Specialization*: Psychology
- Brian William Fahey, Seattle, Wash.  
B.A., M.S. (University of Washington)  
*Dissertation*: Women and Sport: An Existential Analysis  
*Field of Specialization*: Physical Education
- Jack Moreland Ferrier, Bay Village  
B.S., M.S.  
*Dissertation*: Junction Theories of Photoelectric Effects at Dye-Semiconductor Interfaces  
*Field of Specialization*: Physics
- Patricia Nancy Feulner, Columbus  
B.A. (Fordham University); M.A.  
*Dissertation*: Women in the Professions: A Social-Psychological Study  
*Field of Specialization*: Sociology
- Joyce Robinson Filippi, Belpre  
B.S., M.S. (Ohio University)  
*Dissertation*: Thermal Characterization of Poliovirus Type 1 in Ground Beef Containing Three Levels of Fat  
*Field of Specialization*: Microbiology
- Francis Joseph Fishburne, Jr., Sullivan's Island, S. C.  
B.S. (United States Military Academy); M.A.  
*Dissertation*: The Concurrent Validity of Two Measures Operationalizing Holland's Theory Using a Sample of Non-Professional Workers  
*Field of Specialization*: Psychology
- Mary Donaldson Flowers, Columbus  
B.A. (College of Wooster); M.A.  
*Dissertation*: Sentence Structure and Characterization in the Tragedies of Jean Racine: A Computer-Assisted Study  
*Field of Specialization*: Education



- Charles David Foust, Akron  
B.S.Ed., M.A.  
*Dissertation*: The Relationship Between Understanding  
Prepositions and Reading Comprehension  
*Field of Specialization*: Education
- Herman Franklin, Tuskegee Institute, Ala.  
B.S. (Kentucky State College); M.S. (Tuskegee Institute)  
*Dissertation*: An Evaluation of Minority Students  
Supportive Services Program at The Ohio State  
University  
*Field of Specialization*: Education
- Rex Maxwell Fuller, Grove City  
B.S.Ed., M.A.  
*Dissertation*: Creative Dramatics: Instructional  
Methodologies for the Elementary Curriculum  
*Field of Specialization*: Education
- Nathaniel Norward Fullwood, Raleigh, N. C.  
B.A. (Shaw University); M.A.  
*Dissertation*: An Analysis of Perceived and Stated  
Objections of the Black Studies Department of The Ohio  
State University  
*Field of Specialization*: Education
- Gregg Michael Furth, Lakewood  
B.S.Ed., M.A.  
*Dissertation*: Impromptu Paintings by Terminally Ill,  
Hospitalized and Healthy Children: What can We Learn  
From Them?  
*Field of Specialization*: Education
- Alfred Lee Gage, Lawton, Okla.  
B.A. (Lewis and Clark College); M.A. (University of  
Oregon)  
*Dissertation*: A Study of the Role-Analysis and  
Interrelationship of Guidance Counselors and Foreign  
Language Teachers in Selected Schools  
*Field of Specialization*: Education
- Frances Harriett Gailey, Adams, N. Y.  
B.S. (Syracuse University); M.S. (Cornell University)  
*Dissertation*: An Analysis of Development/Use Time for  
a Computer Assisted Instruction Unit on Basic Household  
Electricity  
*Field of Specialization*: Home Economics
- Jane Benner Gammel, Columbus  
B.S. (University of Delaware); M.A. (Murray State  
College)  
*Dissertation*: A Study of the Effects of Levels of  
Self-Actualization on Communication in Small Structured  
Experiential Groups  
*Field of Specialization*: Education
- Norman Lawrence Gearhart, Jr., Youngstown  
B.S. (Youngstown State University); M.S.  
*Dissertation*: Nuclear Spectroscopy Via the  $(p, p\gamma)$   
Reaction  
*Field of Specialization*: Physics
- Richard Merritt Gibson, Toledo  
B.A. (University of Toledo); M.A. (Indiana University)  
*Dissertation*: John Rogers: Religion and Politics in the  
Life of a Puritan Saint  
*Field of Specialization*: History
- Wilma Beavers Gillespie, Vincent  
B.S. in Ed. (University of Pennsylvania); M. Ed. (Ohio  
University)  
*Dissertation*: Search Strategies Used for Educational  
Decision Making by Vocational Teachers  
*Field of Specialization*: Education
- Terrence L. Glass, Xenia  
B.A. (Central State University); M.A.  
*Dissertation*: Myths, Dreams and Reality: Cycles of  
Experience in the Novels of John Hawkes  
*Field of Specialization*: English
- Arthur Eric Gooding, Ashland  
B.B.A. (Ohio University); M.B.A. (Arizona State  
University)  
*Dissertation*: Investors' Evaluations of Common Stocks:  
Perceptions and Information Processed  
*Field of Specialization*: Business Administration
- Malloy Chester Gould, Columbus  
B.S.Ed., M.A. (University of Texas)  
*Dissertation*: Integrated Curricula Alternatives and  
Instructional Strategies for Teaching Communication in  
the Secondary Speech Class  
*Field of Specialization*: Education
- Bernie Jacob Grablowsky, St. Louis, Mo.  
B.C.E., M.S. (Georgia Institute of Technology)  
*Dissertation*: A Behavioral Model of Risk in Consumer  
Credit  
*Field of Specialization*: Business Administration
- Robert James Griffin, Trenton, N.J.  
B.A., M.A. (Seton Hall University); Cert. TESOL  
*Dissertation*: Teaching Hispanic Folk Music as a Means  
to Cross-Cultural Understanding  
*Field of Specialization*: Education
- Frances Anita Grimes, Chattanooga, Tenn.  
B.S. (Tuskegee Institute); M.A. (Southern Illinois  
University)  
*Dissertation*: The Use of Cuckoldry in the Plays of  
Thomas Middleton  
*Field of Specialization*: English
- William Douglas Guentzler, San Diego, Calif.  
B.S.Ed., M.A. (Kent State University)  
*Dissertation*: A Rationale for and Structure of Fluid  
Power Technology with Implications for Industrial Arts  
Teacher Education  
*Field of Specialization*: Education
- Radhey Shyam Gupta, Meerut, India  
B.Sc., M.Sc. (Agra University); M.S.  
*Dissertation*: Paired Comparison Model Building and  
Related Inference  
*Field of Specialization*: Statistics
- Robert Richard Haccoun, Montreal, Que., Canada  
B.A. (McGill University); M.A.  
*Dissertation*: Mandate Base and Evaluation Source as  
Determiners of Negotiator Behavior  
*Field of Specialization*: Psychology

- Paul Wellsley Hailey, Findlay  
B.S. (Bob Jones University); M.A. (Furman University)  
*Dissertation:* The Identification of Specific Areas of Strength and Weakness in Teacher Education Programs  
*Field of Specialization:* Education
- Ibrahim Yusuf Hamdan, Kuwait, Kuwait  
B.S. (California State University); M.S. (University of Wyoming)  
*Dissertation:* Isolation and Characterization of Antimicrobial Agent from *Lactobacillus acidophilus*  
*Field of Specialization:* Food Science and Nutrition
- Thomas Lewis Hamer, Columbus  
B.S. (Pennsylvania State University); M.A. (San Jose State College)  
*Dissertation:* Beyond Feminism: The Women's Movement in Austrian Social Democracy, 1890-1920  
*Field of Specialization:* History
- Robert Quentin Hanham, Reading, England  
B.A. (University of Reading); M.A.  
*Dissertation:* Diffusion of Innovation From a Supply Perspective: An Application to the Artificial Insemination of Cattle in Southern Sweden  
*Field of Specialization:* Geography
- Henry Walter Hansen, Jr., Columbus  
A.B. (University of Rochester); M.S.  
*Dissertation:* The Second Gap of the Markoff Spectrum of  $Q(i)$   
*Field of Specialization:* Mathematics
- Susan Irene Hardin, Englewood, Colo.  
B.A. (University of New Mexico); M.A.  
*Dissertation:* Genuineness and Gender: Effects on Perceptions of Counselor Behavior  
*Field of Specialization:* Psychology
- Albert Joseph Harris, New Orleans, La.  
B.A. (Loyola University); M.A. (Pennsylvania State University)  
*Dissertation:* "This Radical Noh": A Study of Two Productions by Kanze Hisao and Kanze Hideo  
*Field of Specialization:* Theatre
- Allen Lee Hauer, Jackson, Mich.  
B.S. (Central Michigan University); M.A.  
*Dissertation:* The Effects of an Orientation Session and Feedback Training on the Learning of a Basic Helping Skill  
*Field of Specialization:* Psychology
- Daniel Hauser, Columbus  
B.Met.E. (Rensselaer Polytechnic Institute); M.S. (Met.E.) (Syracuse University)  
*Dissertation:* Effect of Temperature and Strain Rate on Plastic Instability of Type 316 Stainless Steel  
*Field of Specialization:* Metallurgical Engineering
- Douglas Bruce Henderson, Grand Island, N. Y.  
B.S. (Saint Lawrence University); M.A.  
*Dissertation:* Occlusion of Auditory Feedback by White Noise and its Effects on Verbal and Written Production: A Developmental Study  
*Field of Specialization:* Psychology
- Stephen Philip Hepler, Elkhart, Ind.  
B.S. in Edu. (Ball State University); M.S.  
*Dissertation:* Use of Probabilistic Automata as Models of Human Performance  
*Field of Specialization:* Computer and Information Science
- Gary Dean Herrin, Columbus  
B.S.I.E., M.S.  
*Dissertation:* On Planning Experiments Incorporating Prior Knowledge That Some of the Data May be Missed  
*Field of Specialization:* Industrial Engineering
- David McClelland Hockenbery, West Jefferson  
B.A. (Capital University); M.A.  
*Dissertation:* The Radical Reformation in Nürnberg, 1524-1530  
*Field of Specialization:* History
- Patrick Brooks Hodges, Columbus  
B.S. (Manchester College); M.S. (Indiana University)  
*Dissertation:* A Study of Physical Education in Public Two-Year Colleges in the Midwest United States  
*Field of Specialization:* Physical Education
- Ronald Bennett Hoekstra, Elmhurst, Ill.  
B.S., M.Ed. (University of Illinois)  
*Dissertation:* The Governor as Policy Maker in Education: A Case Study  
*Field of Specialization:* Education
- Dennis Michael Holt, Champaign, Ill.  
B.A. (West Virginia Wesleyan); M.Ed. (Westchester State College)  
*Dissertation:* An Evaluation Study of Two Units of Instruction for Providing Prospective Elementary Teachers with an Orientation to Selected Aspects of General Music Teaching and Learning  
*Field of Specialization:* Music
- Jay Glenn Horowitz, South Euclid  
B.S.Phys., M.S.  
*Dissertation:* Measurement of Polarization in Neutron-Proton C Charge Exchange Scattering From 2 to 12 GeV/c  
*Field of Specialization:* Physics
- Joseph Henry Huber, West Chester, Pa.  
B.S. (West Chester State College); M.A. (University of Maryland)  
*Dissertation:* The Effects of a Token Economy Program on Appropriate Behavior and Motor Task Performance of Educable Mentally Retarded Children in Adapted Physical Education  
*Field of Specialization:* Physical Education
- Eugene Wesley Huddle, Ashland  
A.B. (Asbury College); M.A.Ed. (University of Kentucky)  
*Dissertation:* A Perceptual Process for Predicting Teacher Demand  
*Field of Specialization:* Education
- William Rodney Hughes, Baltimore  
B.S.Ed., M.A.  
*Dissertation:* A Study of the Use of Computer Simulated Experiments in the Physics Classroom  
*Field of Specialization:* Education

- J. David Hunger, Barberton  
B.A. (Bowling Green State University); M.B.A.  
*Dissertation*: An Empirical Test of the Superordinate  
Goal as a Means of Reducing Intergroup Conflict in a  
Bargaining Situation  
*Field of Specialization*: Business Administration
- James Wallace Hutcheson, Columbia, S. C.  
B.A. (Wabash College); M.A. (George Washington  
University)  
*Dissertation*: A Natural History of Complete Consonantal  
Assimilations  
*Field of Specialization*: Linguistics
- John Anthony Hyatt, Jonesville, Va.  
B.S. (Wake Forest University)  
*Dissertation*: Researchers in the Synthetic Photochemistry  
of Some Nitrogen Heterocycles  
*Field of Specialization*: Chemistry
- Godfrey Ihom, Wilberforce  
B.S. (University of Oregon); M.S. (Atlanta University)  
*Dissertation*: A Dynamic Quasi-Stochastic Model for  
Forecasting Population Distribution of Residential Black  
Pupils in Suburbia  
*Field of Specialization*: Education
- Kaare T. Jacobsen, Thousand Oaks, Calif.  
B.A., M.A. (San Fernando Valley State College)  
*Dissertation*: The Effects of Planned Intervention on  
Dissident Teachers' Attitudes Toward Career Education  
*Field of Specialization*: Education
- Anil Kumar Jain, Lucknow, India  
B. Tech. (Indian Institute of Technology); M.S.  
*Dissertation*: Some Aspects of Dimensionality and Sample  
Size Problems in Statistical Pattern Recognition  
*Field of Specialization*: Electrical Engineering
- Jon Phillip Johnston, Mt. Vernon  
A.B. (Pasadena College); M.A. (Los Angeles State  
College); B. D. (Nazarene Theological Seminary)  
*Dissertation*: A Value-Oriented Typology of the  
Nazarene Pastorate: An Empirical Study  
*Field of Specialization*: Sociology
- Michael Thomas Jones, Newport News, Va.  
B.A. (College of William and Mary in Virginia); M.A.  
*Dissertation*: Intentionalist and Conventionalist Solutions  
to Problems of Reference in the Philosophy of Language  
*Field of Specialization*: Philosophy
- Richard Crouch Jones, Clarksville, Tenn.  
B.S. (Austin Peay State College); A.M. (Indiana  
University)  
*Dissertation*: A Target Planning Model for Regional Crop  
Allocation: The Western Llanos of Venezuela  
*Field of Specialization*: Geography
- Robert George Kalinsky, Cleveland  
B.S. (University of Dayton); M.S.  
*Dissertation*: An Identification System for the Genus  
*Nitzschia* Hassall (Bacillariophyta), with a  
Nomenclatural Revision  
*Field of Specialization*: Botany
- Hagop Karekin Kayayan, Beirut, Lebanon  
B.S., M.S.Agr. (American University of Beirut)  
*Dissertation*: Socio-economic Comparisons of Four Ethnic  
Groups in the State of Sao Paulo, Brazil  
*Field of Specialization*: Agricultural Economics and  
Rural Sociology
- Joseph Andre Keane, Schenectady, N. Y.  
B.S. (Union College, New York); M.S.  
*Dissertation*: The Ion Beam Aspects of a Compact  
Polarized Ion Source  
*Field of Specialization*: Physics
- June Frances Kearney, Cedarville  
B.S.Ed. (Taylor University); M.Ed. (Wittenberg  
University)  
*Dissertation*: The History of Women's Intercollegiate  
Athletics in Ohio—1945-1972.  
*Field of Specialization*: Physical Education
- Peter Edward Kennedy, Toledo  
B.A. (Niagara University); A.M. (Indiana University)  
*Dissertation*: The Life and Professional Contributions of  
Robert John Herman Kiphuth to Yale and Competitive  
Swimming  
*Field of Specialization*: Physical Education
- William Klinger, Marion  
B.S. in Ed. (Taylor University); M.S.  
*Dissertation*: Effect of Distribution of Earlier Concepts  
as Preliminary Homework Exercises Upon Achievement in  
a Remedial Mathematics Course at the College Level.  
*Field of Specialization*: Education
- Dennis Paul Klug, Kent  
B.S. in Educ., M.A. (Kent State University)  
*Dissertation*: The Significance of the Judeo-Christian-  
Black Concept of Man and History in Values Education  
*Field of Specialization*: Education
- Francis Joseph Kollarits, Cleveland  
B.S., M.S. (John Carroll University)  
*Dissertation*: Measurements of the Kapitza Boundary  
Conductance between Gallium Single Crystals and Liquid  
Helium II  
*Field of Specialization*: Physics
- Fred Jay Krieg, Fresh Meadows, N. Y.  
A.B. (Boston University); M.A. (University of  
Massachusetts); M.S., O.D.  
*Dissertation*: Perceptual Skills and Cognitive Skills as  
Predictors of Academic Achievement  
*Field of Specialization*: Education
- Thomas Lee Kruse, Redlands, Calif.  
B.A. (University of Kansas); M.S.W. (Washington  
University)  
*Dissertation*: Adequacy of Preparation for Social Work  
Practice: Self-Assessment by Students About to Graduate  
with the Baccalaureate Degree in Social Work  
*Field of Specialization*: Social Work
- Anthony Joseph LaGreca, Omaha, Neb.  
A.B. (Creighton University); M.A.  
*Dissertation*: Class, Race, and Ethnicity as Factors of  
Residential Density  
*Field of Specialization*: Sociology

Chun Choon Lam, Ipoh, Malaysia  
B.A. (Nanyang University); M.S.  
*Dissertation*: A Class of Biased Estimators for Linear Models  
*Field of Specialization*: Statistics

Curtis Pleasant Lawrence, Pauls Valley, Okla.  
B.A. (Baylor University); M.A.  
*Dissertation*: The Structure of Ovid's Amores II  
*Field of Specialization*: Classics

Alan Lyon Leach, Chagrin Falls  
B.A. (Ohio Wesleyan University); M.A.  
*Dissertation*: Commercialism and the Quality of Children's TV Programs: An Analysis of Responses to the Proposals of Action for Children's Television-February 1970 to January 1973  
*Field of Specialization*: Speech Communication

James Joseph Legasse, Cohes, N. Y.  
B.A. (Saint Bernardine of Siena College); M.A.  
*Dissertation*: "This Dark State": James Thomson's Critical-Satirical Response to the Literary and Political Delinquency of the 1720's and 1730's  
*Field of Specialization*: English

Neil Burkhart Lehman, Berne, Ind.  
B.A. (Bluffton College); M.A.  
*Dissertation*: The Life of John Murray Spear: Spiritualism and Reform in Antebellum America  
*Field of Specialization*: History

I-Cheng Liang, Taichung, Taiwan  
B.A. (Tunghai University); M.A.  
*Dissertation*: Hsu Wei (1521-1593): His Life and Literary Works  
*Field of Specialization*: East Asian Languages and Literatures

Charisma Madson Lindberg, Galena  
B.S.H.E., M.S.  
*Dissertation*: Sociodramatic Play of Low Socioeconomic Black and White Kindergarten Children  
*Field of Specialization*: Education

Mary Brown Linde, Columbus  
B.S. (Northwestern State College of Louisiana); M.S.  
*Dissertation*: Chromosomal Studies in Lymphoma Induced in Long-Evans Rats by 7, 12-Dimethylbenz(a)anthracene  
*Field of Specialization*: Pathology

Gordon Rice Little, Arlington, Va.  
B.S., M.S.  
*Dissertation*: A Neutron Diffraction Study of Single Crystal Holmium to 0.4K  
*Field of Specialization*: Physics

Charles Stephen Locke, Murfreesboro, Tenn.  
B.A. (David Lipscomb College); M.S.  
*Dissertation*: The Conditional Distribution of  $\frac{1}{2} | X_1 - X_2 |$  Given  $\frac{1}{2} (X_1 + X_2)$  and a Test for Normality  
*Field of Specialization*: Statistics

Rebecca Powell Lovingood, Fresno  
B.S.H.E., M.S.  
*Dissertation*: The Effect of Selected Social-Demographic Factors on Household Task Performance of Young Families  
*Field of Specialization*: Home Economics

Ann Lucas, Birmingham, Ala.  
B.S. (Livingstone College); M.A. (Atlanta University)  
*Dissertation*: An Exploration of the Relationships Among the Goals and Values of Students and Teachers  
*Field of Specialization*: Education

Theodore Edward Luke, Columbus  
B.E.E., M.S.  
*Dissertation*: The Role of Crystal Conductivity in Modifying the Properties of Ferroelectric Bismuth Titanate  
*Field of Specialization*: Electrical Engineering

Ralph Nikolas Macioci, Jr., Columbus  
B.S.Ed., M.A.  
*Dissertation*: Rationale and Organum for the Completion of Humanity Through the Acquisition of Consciousness  
*Field of Specialization*: Education

Fred Dey Mack, Jr., Jackson, Miss.  
B.S. (McNeese State College); M.A. (University of Alabama)  
*Dissertation*: Identification and Analysis of the Current Issues in Health Occupations Education  
*Field of Specialization*: Education

Clark Stephen Markell, East Greenbush, N. Y.  
B.S. (State University Teachers College at New Paltz); M.S.T. (Union College)  
*Dissertation*: A Search for Optimum Relationships between Student Perceptions of and Attitudes Toward the Frequency with Which Science Teachers Employ Instructional Moves  
*Field of Specialization*: Education

Judith O'Hara Marsh, Worthington  
B.A., M.A.  
*Dissertation*: Militant Paths: Continuity and Discontinuity  
*Field of Specialization*: Sociology

Jon Elden Marshall, Columbus  
B.A. (Oberlin College); M.A. (University of Chicago)  
*Dissertation*: The Whitman Tradition in Twentieth Century American Poetry  
*Field of Specialization*: English

Donald Franklin Martin, Columbus  
B.S. (North Carolina Agricultural and Technical State University); M.A. (University of Akron)  
*Dissertation*: An Analysis of Role Perceptions of Adult Educators in Model Cities  
*Field of Specialization*: Education

Scott McClung Martin, Charleston, W. Va.  
B.S. (Marshall University); M.S. (Brigham Young University)  
*Dissertation*: Lysosomal Activity during Population Growth and Encystment in the Soil Amoeba, *Acanthamoeba castellanii*  
*Field of Specialization*: Zoology

Leeda Pollock Marting, Chesapeake  
B.S.Ed., M.A. (University of Alabama)  
*Dissertation*: An Empirical Study of the Images of Males and Females During Prime-Time Television Drama  
*Field of Specialization*: Speech Communication

- David Francis Maune, Marthasville, Mo.  
B.S.M.E. (University of Missouri); M.S.  
*Dissertation*: Photogrammetric Self-Calibration of a Scanning Electron Microscope  
*Field of Specialization*: Geodetic Science
- Paul Andrew Mayewski, New York, N. Y.  
B.A. (State University of New York at Buffalo)  
*Dissertation*: Glacial Geology and Late Cenozoic History of the Transantarctic Mountains, Antarctica  
*Field of Specialization*: Geology
- Robert Daniel McClish, Columbus  
B.A., M.A.  
*Dissertation*: A Method for Quantitative Morphologic Computer Analysis of Tissues Applied to the Islets of Langerhans in the Avian Pancreas  
*Field of Specialization*: Anatomy
- Clair Bruce McCullough, Columbus  
B.S.Agr., D.V.M., M.S.  
*Dissertation*: Studies in Experimental Canine Distemper Virus-Induced Demyelination and Lymphoid Depletion  
*Field of Specialization*: Veterinary Pathobiology
- James McCutcheon, Ravenswood, W.Va.  
B.S.Agr., M.S. (West Virginia University)  
*Dissertation*: An Assessment of Factors Related to the Diffusion Strategy for Simulation Training Materials  
*Field of Specialization*: Agricultural Education
- Dennis Robert McDermott, Toledo  
B.B.A. (University of Toledo)  
*Dissertation*: A Simulation Study Examining the Economic and Social Benefits of an Urban Consolidated Terminal  
*Field of Specialization*: Business Administration
- Lauren Hyatt McElhaney, State College, Pa.  
B.A. (Pennsylvania State University); M.A.  
*Dissertation*: An Examination of an Experiential Sophomore Program in English Teacher Education  
*Field of Specialization*: Education
- Sandra Muters McKinley, Marion  
B.S.Ed., M.A.  
*Dissertation*: Comparative Analysis of the Character Education Process of the United States and the Soviet Union  
*Field of Specialization*: Education
- Jeffery Thomas McLean, Morrilton, Ark.  
B.A. (Hendrix College); M.S.  
*Dissertation*: Transitivity in Finite Affine and Projective Planes  
*Field of Specialization*: Mathematics
- William Eugene Melin, Oxford  
B.Mus. (Lawrence College); M.Mus. (American Conservatory of Music)  
*Dissertation*: The Music of Johannes Tinctoris (ca. 1435-1511): A Comparative Study of Theory and Practice  
*Field of Specialization*: Music
- David Chester Mellick, Wellington  
B.A. (Greenville College); M.A.  
*Dissertation*: The Mataphysics of Behavior  
*Field of Specialization*: Philosophy
- Betty Duba Melragon, Columbus  
B.S. Comm. (State University of New York, Albany); M.A.  
*Dissertation*: A Comparison of the Sociodramatic Play of Low Socioeconomic Status Black Second Grade Children and Low Socioeconomic Status Black Kindergarten Children  
*Field of Specialization*: Education
- Robert Lee Mertens, Columbus  
B.S. (Carnegie Institute of Technology); M.S.  
*Dissertation*: On the Product of Linear Forms  
*Field of Specialization*: Mathematics
- Raymond Joseph Michalewski, New Rochelle, N. Y.  
B.A., M.A. (Fordham University)  
*Dissertation*: Vehicular Negligence: The Social and Criminal Patterns of Auto Traffic Fatalities  
*Field of Specialization*: Sociology
- Jan Erwin Mikesell, Columbus  
B.S.Ed., M.S. (Western Illinois University)  
*Dissertation*: Ontogeny and Correlative Relationships of the Primary Thickening Meristem in Noninduced and Photoinduced Four-O'Clock Plants  
*Field of Specialization*: Botany
- John Edgar Miller, Cleveland Heights  
B.A. (Goshen College); M.Ed. (Kent State University)  
*Dissertation*: The Comparative Effectiveness of Data Processing Programs in Proprietary and Public Postsecondary Institutions  
*Field of Specialization*: Education
- Jacqueline Walton Mitchell, Danville, Va.  
B.A. (Howard University); M.A.  
*Dissertation*: Bands of Frequencies Which Are Important in Judging Preferred Quality of Speech  
*Field of Specialization*: Speech Communication
- June Anthea Mitchelmore, Bristol, England  
B.S., Cert. of Edu. (University of Liverpool)  
*Dissertation*: Development of the Instructor Behavior Description Questionnaire to Measure Graduate Student Satisfaction from Perceptions of Ideal and Actual Instructor Behavior  
*Field of Specialization*: Education
- Edward Barry Mitchelson, Edmonton, Alta., Canada  
B.A. (University of Western Ontario); B.P.E., M.A. (University of Alberta)  
*Dissertation*: An Analysis of the Relationship between Programs of Physical Education and Intercollegiate Athletics in the CIAU  
*Field of Specialization*: Physical Education
- Richard Frank Moerchen, St. Louis, Mo.  
B.S. (Saint Mary's University of San Antonio); M.S. (University of Notre Dame)  
*Dissertation*: Specific Isolating Mechanisms of the Orangethroat Darter, *Etheostoma spectabile* (Agassiz), and the Rainbow Darter, *Etheostoma caeruleum* Storer, in Central Ohio, with Considerations of their Hybridization  
*Field of Specialization*: Zoology

Richard Louis Mojeski, Grand Rapids, Mich.  
B.S. (Aquinas College); M.A. (Western Michigan University)  
*Dissertation*: A Comparative Study of Rational—Emotive Therapy and Systematic Desensitization in the Treatment of Stuttering  
*Field of Specialization*: Education

Ann Edmondson Morehead, San Francisco, Calif.  
B.A., B.S.Ed.; A.M. (University of Michigan)  
*Dissertation*: A Critical Edition of Roger Ascham's *Toxophilus*  
*Field of Specialization*: English

Marcia Ruth Morgan, Fort Worth, Tex.  
B.A. (Texas Wesleyan College); M.A.  
*Dissertation*: A Comparison of Selected Personality, Biographical and Motivational Traits Among Women Athletes, Physicians and Attorneys  
*Field of Specialization*: Physical Education

Judith Anne Morris, Washington, D.C.  
B.A. (Wake Forest College)  
*Dissertation*: Teacher Career Expectations for Students as Related to Elementary Student Career Aspirations: An Exploratory Study  
*Field of Specialization*: Education

Russell Dale Morris, Crofton, Md.  
B.S.Bus.Adm., M.B.A.  
*Dissertation*: An Analysis of Certain Aspects of the Federal Reserve System Payments Mechanism Program  
*Field of Specialization*: Business Administration

Robert Carl Moschel, Columbus  
B.S.  
*Dissertation*: Oxidation of Nucleic Acid Components by Potassium Peroxodisulfate in Alkaline Aqueous Solution  
*Field of Specialization*: Biochemistry

Thomas Alphonse Muth, Columbus  
B.S. in Bus. Adm. (University of Dayton); J.D. (Salmon P. Chase College); M.A.  
*Dissertation*: State Interest in Cable Communications  
*Field of Specialization*: Speech Communication

Seetharama L. Narasimhan, Madras, India  
B.E. (University of Madras); M.S. (University of Tennessee)  
*Dissertation*: Models for Integrated Research and Development, Production and Inventory Planning  
*Field of Specialization*: Industrial Engineering

Paula Jane Nassen, Janesville, Wis.  
B.A. (Luther College)  
*Dissertation*: Pindar: A Literary Study of Olympian IX and Olympian X  
*Field of Specialization*: Classics

Roger Harvey Neff, Bucyrus  
B.A., M.A.  
*Dissertation*: Rhetorical Theory and Practice in Selected Works of Fenelon  
*Field of Specialization*: Romance Languages and Literatures

Bessie Espersen Nelson, Superior, Wis.  
B.S., M.S. (Wisconsin State University)  
*Dissertation*: A Survey of Science Teaching in the Public Elementary Schools of the New England, the Midwest, and the Southwest Regions of the United States during the 1970-1971 School Year  
*Field of Specialization*: Education

Gregory Armstrong Norton, Pontiac, Mich.  
B.A. (Oakland University); M.S.  
*Dissertation*: Comparison of Sub-Coulomb ( $d, p$ ) Stripping and Analog Resonance Results for the  $N = 82$  Isotones  
*Field of Specialization*: Physics

Thomas Michael Nosek, Berea  
B.S. (University of Notre Dame)  
*Dissertation*: Contribution of Potassium Active Transport to the Myocardial Plateau Potential of Guinea-Pig Ventricle  
*Field of Specialization*: Biophysics

Robert Alan Oakley, Columbus  
B.S.inAero.andAstro.Engr. (Purdue University); M.B.A.  
*Dissertation*: An Application of Multidimensional Scaling to the Construction of Predictive Portfolio Selection Models  
*Field of Specialization*: Business Administration

Gerald Olivero, Hollywood, Calif.  
B.A. (University of California at Los Angeles); M.A.  
*Dissertation*: Expectancy Theory Predictions of Motivation Moderated by Race, Sex and Socioeconomic Status  
*Field of Specialization*: Psychology

Dessie D. Page, Carbondale, Ill.  
B.S.E.E. (Valparaiso Technical Institute); M.S.Ed. (Southern Illinois University)  
*Dissertation*: Impact Evaluation of Two Types of Innovations Upon Educational Administrators  
*Field of Specialization*: Education

Richard James Parish, Medina  
B.A., M.A., B.S. (Kent State University)  
*Dissertation*: The Design and Testing of an Instructional Model for Population and Resources Education Concepts at the Community College Level  
*Field of Specialization*: Education

Thomas Andrew Parks, Columbus  
B.S., M.S. (Louisiana State University)  
*Dissertation*: An Experimental Comparison of the Demonstration-Performance Method Versus Videotape Recording for Teaching Selected Welding Skills  
*Field of Specialization*: Education

Judith Tanis Parr, Hudsonville, Mich.  
A.B. (Hope College); M.A.  
*Dissertation*: Eloquent Silence in the Poetry of Henry Vaughan  
*Field of Specialization*: English

- Prabhakar Harihar Pathak, Santa Cruz, India  
B.Sc. (University of Bombay); B.S.E.E. (Louisiana State University); M.S.  
*Dissertation*: TM Surface Wave Diffraction by a Truncated Dielectric Slab Recessed in a Perfectly Conducting Surface  
*Field of Specialization*: Electrical Engineering
- Albert Cordell Perkes, Wellsville, Utah  
B.S., M.A. (Utah State University)  
*Dissertation*: A Survey of Environmental Knowledge and Attitudes of Tenth and Twelfth Grade Students from Five Great Lakes and Six Far Western States  
*Field of Specialization*: Education
- Naney Reichard Perry, Dayton  
B.S.Nurs., M.A.  
*Dissertation*: Drug Knowledge and Attitudes Toward Drug Abuse Among Teachers, Administrators, and Students  
*Field of Specialization*: Psychology
- Aldwyn Thomas Philip, Port of Spain, Trinidad  
Diploma (University of London); M.S.  
*Dissertation*: Independent Model Aerial Triangulation-Refinements and Error Studies  
*Field of Specialization*: Geodetic Science
- Douglas Taylor Pine, Freehold, N. J.  
B.S. (State University College of Education at Oswego, New York); M.A. (Trenton State College)  
*Dissertation*: The Effects of Teaching Numerical Control Concepts Via Simulator Versus Non-Simulator Activities on the Achievement, Programming Proficiency and Attitude of High School Students  
*Field of Specialization*: Education
- John James Polick, Chicago, Ill.  
B.A. (Northwestern University); M.S.  
*Dissertation*: Electron Tunneling Measurements of the Superconducting Energy Gap of Gallium  
*Field of Specialization*: Physics
- Robert Everett Potts, Columbus  
B.F.A. (College Conservatory of Music of Cincinnati)  
*Dissertation*: The Development of Principles to Guide A Curriculum in Medical Communications  
*Field of Specialization*: Education
- Robert Lewis Pratt, Bowling Green  
B.A. (Aquinas College, Michigan); M.Ed. (Bowling Green State University)  
*Dissertation*: The Concept of Play in American Physical Education  
*Field of Specialization*: Physical Education
- Jeffery Bruce Press, Rochester, N. Y.  
B.S. (Bucknell University)  
*Dissertation*: Synthesis and Chemistry of Bicyclo [4.2.2] deca-2, 4, 9-trien-7-one and Bicyclo [4.2.2] deca-2, 4, 9-trien-7-yl Intermediates  
*Field of Specialization*: Chemistry
- Charles Savas Raben, Totowa, N. J.  
B.A. (Fairleigh Dickinson University); M.A.  
*Dissertation*: Participation and Member Power Base in Group Decision Making  
*Field of Specialization*: Psychology
- Roy Howard Rengstorff, Union City, N. J.  
B.S., O.D. (Northern Illinois College of Optometry); M.S. (Pacific University)  
*Dissertation*: Succinic Dehydrogenase in Corneal Epithelium: Quantification and Localization After Oxygen Deprivation  
*Field of Specialization*: Physiological Optics
- Joyce Cordell Richardson, Springfield  
B.A. (Oakwood College); M.A.  
*Dissertation*: The Identification by Voice of Speakers Belonging to Two Ethnic Groups  
*Field of Specialization*: Speech Communication
- Frank Nicholas Rife, San Antonio, Tex.  
B.S. (Trinity University); M.S. (Brigham Young University)  
*Dissertation*: Modification of Student-Teacher Behavior and its Effects Upon Pupil Behavior  
*Field of Specialization*: Physical Education
- Timothy LaVerne Rink, Columbus  
B.A. (Capital University); M.A.  
*Dissertation*: An Exploration of the Relationship Between a Hearing Protective Device and Speech Discrimination Performance for Persons with Sensori-Neural Hearing Loss  
*Field of Specialization*: Speech Communication
- Charles Henry Rivers, Dayton  
A.B. (Findlay College); M.Ed. (Miami University)  
*Dissertation*: The Development of a Planning Guide for Comprehensive Change Through the Process of Desegregation  
*Field of Specialization*: Education
- Mark Howard Rose, Highland Park, Ill.  
B.A. (Roosevelt University)  
*Dissertation*: Express Highway Politics, 1939-1956  
*Field of Specialization*: History
- Paul David Rosso, New Cumberland, W. Va.  
B.S. (West Virginia University)  
*Dissertation*: Part I. The Direct and Photosensitized Chemistry of the 7-Azabenzonorbornadienes Part II. Substituent Effects on the Photorearrangement of the Benzenorcaradienes  
*Field of Specialization*: Chemistry
- Harold Paul Wallace Rostad, Saskatoon, Sask., Canada  
B.S.A., M.S. (University of Saskatchewan)  
*Dissertation*: Genesis of Argillic Horizons in Hapludalfs Derived from Coarse Textured Calcareous Gravels in Western and Central Ohio  
*Field of Specialization*: Agronomy
- Victor Curtis Rowley, Jr., West Jefferson  
A.B. (Saint Meinrad Seminary); M.A.  
*Dissertation*: Artifact, Author, and Audience in Robert Herrick's Hesperides  
*Field of Specialization*: English
- Csaba Miklos Rozsa, Cleveland  
B.S., M.S.  
*Dissertation*: Nuclear Spectroscopy of 49X up to 4 MeV  
*Field of Specialization*: Physics

- Catherine Estelle Rudder, Atlanta, Ga.  
A.B. (Emory University); M.A.  
*Dissertation*: Why Southerners Vote the Way They Do; Determinants of the Presidential Vote in the South, 1952-1968  
*Field of Specialization*: Political Science
- Earl Richard Sage, Cardington  
B.S.Bus.Adm.; M.B.A. (Harvard University)  
*Dissertation*: An Empirical Evaluation of a Management Training Program  
*Field of Specialization*: Business Administration
- Kewal Krishan SaijPaul, Ludhiana, India  
B.Sc. (Panjab University); B.Sc. (Ag.Eng.) (Panjab Agricultural University); M.S.  
*Dissertation*: Design and Feasibility Study of Integrating Separation and Cleaning Processes in a Combine  
*Field of Specialization*: Agricultural Engineering
- Chhote Lal Saraf, Panna, India  
B.S. (Banaras Hindu University); M.E. (University of Roorkee)  
*Dissertation*: Effect of Mix Variables on the Fatigue Response of Asphaltic Mixes  
*Field of Specialization*: Civil Engineering
- Bruce Dee Schanbacher, Cherokee, Okla.  
B.S. (Oklahoma State University); M.S.  
*Dissertation*: Testicular Carnitine Acetyltransferase Activity and Serum Testosterone Levels in Developmental Stages of the Rat and Ram  
*Field of Specialization*: Dairy Science
- Nancy Esther Schwartz, Medicine Hat, Alta., Canada  
B.H.E. (University of British Columbia)  
*Dissertation*: The Relationship of Nutrition Education to Subsequent Nutrition Knowledge, Attitudes, and Practices of Ohio High School Graduates  
*Field of Specialization*: Home Economics
- Herman Elmo Scott, Manchester  
B.A. (Ohio Wesleyan University); M.S.  
*Dissertation*: Noble Gas Broadening of the HCl Rotation Lines  
*Field of Specialization*: Physics
- Neil Edward Seitz, Prospect  
B.S. (Findlay College); M.B.A. (University of Hawaii)  
*Dissertation*: The Effect of Taxes on Capital Market Theory  
*Field of Specialization*: Business Administration
- Paul William Shearer, III, Hockessin, Del.  
B.A. (University of Delaware); M.A.  
*Dissertation*: The Effect of First-Half and Second-Half of the Night Sleep on Single List Retention, Resistance to Retroactive Inhibition, and Spontaneous Recovery of Verbal Material  
*Field of Specialization*: Psychology
- Thomas Edward Shirley, Texas City, Tex.  
B.S. (Lafayette College); M.S.  
*Dissertation*: Monte Carlo Studies of Some Models in Lattice Statistics  
*Field of Specialization*: Physics
- Devendra Prasad Sinha, Patna, India  
B.V.Sc. and A.H. (Bihar University); M.S. (University of Missouri, Columbia)  
*Dissertation*: Influence of Bovine Mastitis on Selected Milk Serum Proteins  
*Field of Specialization*: Food Science and Nutrition
- William Paul Skivolocki, Homeworth  
B.S., M.D., M.S.  
*Dissertation*: Pharmacological Control of Portal Pressure  
*Field of Specialization*: Physiology
- Robert Bruce Slaney, Pittsburgh, Pa.  
B.A. (College of Wooster); M.A.  
*Dissertation*: The Effects of Pre-Counseling Training on the In-Counseling Behavior of Clients  
*Field of Specialization*: Psychology
- David Lynn Smith, Indianapolis, Ind.  
B.M.E. (General Motors Institute); M.S. (Purdue University)  
*Dissertation*: An Analytical and Experimental Study of a Tuned Acoustic Absorber  
*Field of Specialization*: Mechanical Engineering
- Eric Howard Smith, Cincinnati  
B.A. (Miami University); M.S. (Purdue University)  
*Dissertation*: Systematic Revision of the Maculate Species of the Genus *Phyllotreta* (Coleoptera: Chrysomelidae, Alticinae)  
*Field of Specialization*: Entomology
- Alan Peter Sprague, Rochester, N. Y.  
A.B. (Oberlin College); M.A.T. (Northwestern University); M.S.  
*Dissertation*: A Characterization of Projective and Affine 3-Schemes  
*Field of Specialization*: Mathematics
- James Michael Sproule, Dayton  
B.A., M.A.  
*Dissertation*: The Case for a Wider War: A Study of the Administration Rationale for Commitment to Vietnam, 1964-1967  
*Field of Specialization*: Speech Communication
- Norman Marvin Stanley, Fredericktown  
B.S.Agr., M.S.  
*Dissertation*: Factors Related to Decisions Made by High School Graduates Concerning Post-High School Education  
*Field of Specialization*: Agricultural Education
- Barbara Gail Star, Los Angeles, Calif.  
B.S.Ed. (State College of New York at Buffalo); M.S.W. (University of California, Los Angeles)  
*Dissertation*: An Experimental Study of the Impact of Videotape Self-image Confrontation on the Self Perceptions of Social Work Students  
*Field of Specialization*: Social Work
- Rae Alden Stewart, Fredericton, N.B., Canada  
B.S. in C.E. (University of New Brunswick); M.S.  
*Dissertation*: Aerodist Controlled Photography for Topographic Mapping  
*Field of Specialization*: Geodetic Science



Elaine Naramoto Tanabe, Columbus  
B.S. in Bus. (Indiana University); M.A.  
*Dissertation*: A Longitudinal Study of Self Concepts and Attitudes of Economically and Educationally Disadvantaged Students During 1968-1972  
*Field of Specialization*: Psychology

Charles Paul Temple, Canton  
B.S.Ed., M.Ed. (Kent State University)  
*Dissertation*: A Study of the Effectiveness of Competition Festivals in the Music Education Process  
*Field of Specialization*: Music

Margareth Gresser Teuber, Columbus  
B.S. (Saint Cloud State College); M.A.  
*Dissertation*: The Dynamics of Free School Survival: A Sociological Analysis of Organizational Attributes and Member Perceptions  
*Field of Specialization*: Sociology

Charles Stanley Thompson, Shawnee Mission, Kan.  
B.A. (University of Kansas); M.A. (Wesleyan University)  
*Dissertation*: The Learning of Multiplication and Other Mathematical Concepts and Skills by Four Children in a Fourth Grade Open Classroom: A Case Study  
*Field of Specialization*: Education

Edward Louis Tremba, Dearborn, Mich.  
B.S. (University of Michigan); M.S.  
*Dissertation*: Isotope Geochemistry of Strontium in Carbonate and Evaporite Rocks of Marine Origin  
*Field of Specialization*: Geology

Barbara Mitchell Tull, Delaware  
B.S. (Miami University); M.A. (Western Michigan College)  
*Dissertation*: Analysis of Selected Prosodic Features in the Speech of Black and White Children  
*Field of Specialization*: Speech Communication

David Philip Turtle, Bala-Cynwyd, Pa.  
B.S.Ch.E. (Bucknell University); M.S.  
*Dissertation*: The Molecular-Weight Distribution of an Emulsion Polymerization of Styrene  
*Field Specialization*: Chemical Engineering

Charles Allyn Uniacke, Columbus  
B.S., M.S.  
*Dissertation*: Healing Mechanisms of a Nonpenetrating Lesion in the Cornea: A Morphological Study of the Rabbit  
*Field of Specialization*: Physiological Optics

Hubert Robert Vance, Columbus  
B.S., M.A. (East Tennessee State University)  
*Dissertation*: A Scale Analysis of the Wechsler Intelligence Scale for Children with Different Groups of Disadvantaged Children  
*Field of Specialization*: Education

Michael Cornelius Vander Zwan, Orange, N. J.  
B.S. (Seton Hall University)  
*Dissertation*: I. A New Synthesis of the, -Unsaturated Carbonyl Function. II. Intramolecular Trapping of the Trimethylene Diradical. III. Steric and Polar Effects in the Thermal Decarboxylation of Mercuric Salts of Unsymmetrical Aromatic 1,2-Dicarboxylic Acids, the Pesci Reaction  
*Field of Specialization*: Chemistry

Surendra Prasad Varma, Motihari, Bihar, India  
B.Sc. (Ag) (Bihar University); M.Sc. (Bhagalpur University)  
*Dissertation*: Physio-Chemical Regulation of Growth and Sex Expression in Cucumber (*Cucumis satifus*, L.)  
*Field of Specialization*: Horticulture

William Edward Vejdovec, Lakewood  
A.B., M.A. (Western Reserve University)  
*Dissertation*: The Effects of Two Science Curriculum Approaches on the Achievement of Science Knowledge of Elementary Students  
*Field of Specialization*: Education

Arnold Evald Vlieks, Columbus  
B.S. (Rensselaer Polytechnic Institute); M.S.  
*Dissertation*: Total Alpha-Induced Cross Sections in Stellar Nucleosynthesis  
*Field of Specialization*: Physics

Gregory John Wall, Guelph, Ont., Canada  
B.S.Agr., M.S. (University of Guelph)  
*Dissertation*: Sediment and Solution Parameters in the Maumee River Basin, Ohio  
*Field of Specialization*: Agronomy

Clarence Walls, Dayton  
B.S. (Ed.) (Central State College); M.A.  
*Dissertation*: The Identification of Musical Concepts by Elementary Children from Contrasting Racial Groups and Socioeconomic Environments  
*Field of Specialization*: Music

Janet Louise Walter, Lima  
B.S.Ed.; M.S.P.E. (University of North Carolina at Greensboro)  
*Dissertation*: The Effects of Instruction as a Secondary Task Load on Skill in an Eye-Hand Coordination Task  
*Field of Specialization*: Physical Education

Paul Tiing Renn Wang, Tainan, Taiwan  
B.S. (Cheng Kung University); M.S.  
*Dissertation*: Bandwidth Minimization, Reducibility Decomposition, and Triangularization of Sparse Matrices  
*Field of Specialization*: Computer and Information Science

Paul Dean Warner, Piercetown, Ind.  
B.Sc. (Purdue University); M.S.  
*Dissertation*: A Comparative Study of Three Patterns of Staffing Within the Cooperative Extension Service Organization and Their Association with Organizational Structure, Organizational Effectiveness, Job Satisfaction and Role Conflict  
*Field of Specialization*: Agricultural Economics and Rural Sociology

William Evan Warren, Lincoln, Del.  
B.A. (University of Delaware); M.A. (University of Virginia)  
*Dissertation*: The Love Elegies of Donne and Jonson: A Critical Study  
*Field of Specialization*: English

Paul Victor Washburn, Boiling Springs, N. C.  
B.A. (Wake Forest University); M.A.  
*Dissertation*: Group Process and Productivity  
*Field of Specialization*: Psychology

Jerry Joseph Waxman, Miami, Fla.  
B.A. (Florida State University); M.A.  
*Dissertation*: An Analysis of Commercial Broadcasting Organizations During Flood Disasters  
*Field of Specialization*: Sociology

Kathryn D. Black Weathersby, D'lo, Miss.  
B.S. (Jackson State College); M.Ed. (Tuskegee Institute)  
*Dissertation*: Adolescents' Perception and Use of Credit  
*Field of Specialization*: Home Economics

Terry Lee Weaver, Columbus  
B.S. (Indiana University of Pennsylvania); M.S.  
*Dissertation*: Biochemical, Morphological, and Physiological Studies on the Methane Oxidizing Bacterium, *Methylosinus trichosporium*, with Emphasis on Structure, Function, and Composition of the Intracytoplasmic Membranes  
*Field of Specialization*: Microbiology

Lawrence Allenby Weller, New York, N. Y.  
B.S. (City College, New York); M.A. (University of Toronto)  
*Dissertation*:  $\nu_2$  Band of  $^{14}\text{N}^{16}\text{O}_2$   
*Field of Specialization*: Physics

Gardner Robert Whitcomb, Falls Church, Va.  
B.S. (Springfield College); M.S.W.  
*Dissertation*: Social Change in a Private Welfare Planning Agency: An Organizational Analysis  
*Field of Specialization*: Sociology

Andrew Michael White, Lorain  
B.S.  
*Dissertation*: The Distribution, Abundance, and in vivo Cultivation of the Polyradiate Anomaly in the Cestode *Taenia pisiformis*  
*Field of Specialization*: Zoology

Anna Hopkins White, Springfield  
B.S. (Bob Jones University); M.A. (Central State University)  
*Dissertation*: An Assessment of the Current Information Needs of State Directors of Special Education  
*Field of Specialization*: Education

Donald Glenn White, Huntington, W. Va.  
B.A., M.S. (Marshall University)  
*Dissertation*: The Preparation and Use of a Fluorescent Antibody Reagent for Detection of *Pythium graminicola*  
*Field of Specialization*: Plant Pathology

Truman Dale Whitfield, Owensboro, Ky.  
B.S., M.A. (Western Kentucky University)  
*Dissertation*: An Exploratory Study of Pupil Perceptions of Teacher Behavior to Develop a Classroom Observational System  
*Field of Specialization*: Education

Michelle Pach Wilhelm, Rosedale, N. Y.  
B.A. (Queens College); M.A.  
*Dissertation*: Pindar: A Literary Study of Pythians 4 and 5  
*Field of Specialization*: Classics

David Carlton Williams, Tiffin  
B.S.Ed., M.A.  
*Dissertation*: Alienation and Schooling: Toward Non-institutional Curricula  
*Field of Specialization*: Education

Sister Mary Louise Woerl, Columbus  
B.S. in Ed. (Athenaeum College); M.A. (University of Notre Dame)  
*Dissertation*: Effects of Rhythmical Speech Patterns in Prose and Verse of Misarticulations of the Phoneme /r/  
*Field of Specialization*: Speech Communication

Richard Henry Wojcik, Parma Heights  
B.A., M.A.  
*Dissertation*: The Expression of Causation in English Clauses  
*Field of Specialization*: Linguistics

Kwok Chi Wong, Kowloon, Hong Kong  
B.Sc. (Chinese University of Hong Kong); B.Sc. (Special) (University of Hong Kong); M.S.  
*Dissertation*: Restricted Representations of Classical Lie Algebras of Prime Characteristics  
*Field of Specialization*: Mathematics

Robert Judson Wynkoop, Canal Winchester  
B.S.Ed., M.A.  
*Dissertation*: A Study of Significant Education Finance Committee Reports Published After Serrano  
*Field of Specialization*: Education

Swanit Yamabhai, Dhonburi, Thailand  
B.A. (Chulalongkorn University); M.A.  
*Dissertation*: The Rhetoric of Non-Violence: A Critical Analysis of Selected Speeches by M. K. Gandhi  
*Field of Specialization*: Speech Communication

Panayiotis E. Yianoulis, Lesbos, Greece  
Dipl. (University of Thessaloniki)  
*Dissertation*: The Distribution of Ionization Energies of Absorbed Sensitizer Dye Molecules  
*Field of Specialization*: Physics

Richard Morrison Young, Anderson, Ind.  
A.B.Ed., M.Ed. (University of Wichita)  
*Dissertation*: The Effects of Various Reinforcement Contingencies on a Second Grade Physical Education Class  
*Field of Specialization*: Physical Education

Thomas Beetham Young, Columbus  
A.B. (Princeton University); M.F.A. (University of Iowa)  
*Dissertation*: Thematic Emphasis and Psychological Realism in Lawrence Durrell's Alexandria Quartet  
*Field of Specialization*: English

Richard Cornel Dean Yu, Aiea, Hawaii  
B.A. (Chaminade College); M.A. (University of Northern  
Colorado)  
*Dissertation: An Analysis of the Influence of Social  
Factors on Selected Curriculum Discourse*  
*Field of Specialization: Education*

Michele Wender Zak, Columbus  
B.A.; M.A. (University of California at Los Angeles)  
*Dissertation: Feminism and the New Novel*  
*Field of Specialization: English*

Georgia Zannaras, Columbus  
B.A. (Indiana State College, Pennsylvania); M.A.  
*Dissertation: An Analysis of Cognitive and Objective  
Characteristics of the City: Their Influence on Movements  
to the City Center*  
*Field of Specialization: Geography*

**Certificate of Specialist  
in Russian Area Studies**

One candidate

Michael Alexander Orloff, Skokie, Ill.  
B.A. (Knox College) ; M.A.

**Master of Accounting**

Three candidates

Cynthia Lee Abrams, Penllyn, Pa.  
B.S. (Pennsylvania State University)  
*Field of Specialization:* Accounting

Richard Joseph Johnson, Beloit, Wis.  
B.B.A. (University of Wisconsin)  
*Field of Specialization:* Accounting

James Edward Majewski,  
Norridge, Ill.  
B.S. (University of Illinois)  
*Field of Specialization:* Accounting

**Master of Architecture**

Two candidates

Shekhar Bhushan, New Delhi, India  
B.Arch. (Indian Institute of  
Technology)  
*Field of Specialization:* Architecture

Charles Thomas Gilman,  
San Luis Obispo, Calif.  
B.Arch. (California State Polytechnic  
College)  
*Field of Specialization:* Architecture

**Master of Arts**

Four hundred and thirty-four candidates

Goh Abe, Oita Ken, Japan  
B.A. (Seinan Gakuin University)  
*Field of Specialization:* Anthropology

Esther Shapiro Abraham,  
Raana, Israel  
B.A. (Tel Aviv University)  
*Field of Specialization:* Psychology

Kaye Roudabush Abraham,  
Westerville  
B.S.H.Ed. (Ohio University)  
*Field of Specialization:* Education

Varouj Aram Aivazian,  
Montreal, Que., Canada  
S.B. (Massachusetts Institute of  
Technology)  
*Field of Specialization:* Economics

Carlene Jeanette Alexander, Columbus  
B.S.Ed.  
*Field of Specialization:* Education

Paul Leslie Alheim, Newark  
B.A. (Muskingum College)  
*Field of Specialization:* Education

William Pete Allen, Dayton  
B.A. (West Virginia State College)  
*Field of Specialization:* Education

Dale Eugene Anderson, Reynoldsburg  
B.A. (Marietta College)  
*Field of Specialization:* Education

Dorothy Ziemak Anderson, Gahanna  
B.S.Ed.  
*Field of Specialization:* Education

Sister Madeleine J. Anderson, Ashland  
A.B. (Immaculata College)  
*Field of Specialization:* Education

Maureen Arnholt Andrews, Columbus  
B.S.Ed.  
*Field of Specialization:* Education

Jane Henry Applegate, Columbus  
B.S.Ed.  
*Field of Specialization:* Education

Yasue Aramaki, Takasaki City, Japan  
B.A. (Sophia University)  
*Field of Specialization:* Journalism

Florence Cecilia Archibald, Cincinnati  
B.A. (Notre Dame College) ; M.A.  
(Fordham University)  
*Field of Specialization:* Education

Eleanor Elizabeth Arnold, Cambridge  
B.A. (Capital University)  
*Field of Specialization:* Education

Earnest Charles Atkins, Decatur, Ga.  
B.S. (Georgia State College)  
*Field of Specialization:* Public  
Administration

Juanita Mortimer Baker, Columbus  
B.S.Ed.  
*Field of Specialization:* Education

Rodney Eugene Banks, Delaware  
B.S.Ed. (Central State College)  
*Field of Specialization:* Education

Nancy Lee Bannister, Amelia, Va.  
B.S. (Virginia State College)  
*Field of Specialization:* Education

Linda Sue Barnes, Columbus  
B.S.Ed.  
*Field of Specialization:* Education

Kathy Hackenberger Barnhill,  
Columbus  
B.S. (University of Nebraska)  
*Field of Specialization:* Education

Brenda Lynn Beach, Canfield  
B.S.Ed.  
*Field of Specialization:* Speech  
Communication

Joetta Henderson Beaver, Columbus  
B.S.Ed.  
*Field of Specialization:* Education

James Larry Beier, Clyde  
B.A. (Saint Joseph's College, Indiana)  
*Field of Specialization:* Political  
Science

Betty Lucille Bell, Columbus  
A.B. (Asbury College)  
*Field of Specialization:* Education

Susan Jane Bender, Canal Winchester  
B.S.Ed.  
*Field of Specialization:* Education

James Norman Bennink, Columbus  
B.S. (Western Michigan University)  
*Field of Specialization:* Physical  
Education

David Leo Berry, Lucas  
B.S.Ed.  
*Field of Specialization:* Education

William John Berutti, Franklin  
A.B. (University of Michigan)  
*Field of Specialization:* Education

Walter Paul Betley, Columbus  
B.S.Ed.  
*Field of Specialization:* Education

Debra Grace Bingaman,  
Silver Spring, Md.  
A.B. (Catawba College)  
*Field of Specialization:* Speech  
Communication

Virginia Ann Wisz Black, Westerville  
B.S.Ed.  
*Field of Specialization:* Education

Rita Eder Blejer,  
Mexico, D.F., Mexico  
Licenciado (Universidad Nacional  
Autonoma de Mexico)  
*Field of Specialization:* History of Art

Kathryn Mary Boesch,  
West Bend, Wis.  
B.S. (Wisconsin State University,  
LaCrosse)  
*Field of Specialization:* Physical  
Education

Charles Evans Boltwood,  
Richmond, Va.  
B.A. (University of Richmond)  
*Field of Specialization:* Psychology

Martha Baker Bonar, Granville  
B.S.H.E.  
*Field of Specialization: Education*

Patricia Diane Booker,  
Petersburg, Va.  
B.A. (Virginia State College)  
*Field of Specialization: Education*

Kay Kaiser Borkowski, Athens  
B.Mus. (Indiana University)  
*Field of Specialization: Music*

Richard David Bossart, Columbus  
B.S.Ed.  
*Field of Specialization: Education*

Mary Lou Dyer Bowers, Columbus  
B.S.Ed.  
*Field of Specialization: Education*

Charlotte Fern Bowman, Columbus  
B.S.Ed. (Ohio University)  
*Field of Specialization: Physical  
Education*

Margaret Frazier Bowman, Columbus  
B.S.Ed.  
*Field of Specialization: Education*

Patricia Rae Braasch, Lakeland, Fla.  
B.S. (Wisconsin State University,  
LaCrosse)  
*Field of Specialization: Physical  
Education*

Margaret Kleine Breen, Columbus  
B.S. (Northwestern University)  
*Field of Specialization: Education*

Susan Sara Breslow,  
Great Neck, N. Y.  
B.A. (State University of New York,  
Buffalo)  
*Field of Specialization: Journalism*

Danny Lee Brisker, Canal Winchester  
B.S.Ed. (Capital University)  
*Field of Specialization: Education*

Ann Hindman Brown, Columbus  
B.A.Jour.  
*Field of Specialization: Journalism*

\*Diane Paul Brown, Pittsburgh, Pa.  
*Field of Specialization: Speech  
Communication*

Carol Willis Browne, Columbus  
B.S.Ed.  
*Field of Specialization: Education*

Mary Alice Bucher, Columbus  
B.A.  
*Field of Specialization: Journalism*

Timothy Alan Budd, Columbus  
B.S.Ed. (Miami University)  
*Field of Specialization: Education*

Susan Burrows, Worthington  
B.A.  
*Field of Specialization: Public  
Administration*

Steven Davis Butler, Columbus  
B.S.Ed.  
*Field of Specialization: Education*

Paula Marie Byrckett, Columbus  
B.S.Ed. (Miami University)  
*Field of Specialization: Education*

Margaret Likens Byrum, Columbus  
B.S.Ed.  
*Field of Specialization: Education*

Carol Burkhart Campbell, Medway  
B.A. (Hiram College)  
*Field of Specialization: Education*

Karen Elaine Carney, Youngstown  
B.S.Ed. (Youngstown State  
University)  
*Field of Specialization: Education*

Donna Fuller Carskadden, Columbus  
B.S.Ed. (Ohio University)  
*Field of Specialization: Education*

Michele Caravella Carter,  
Trenton, N. J.  
B.A. (University of Minneapolis)  
*Field of Specialization: Speech  
Communication*

Donald Heng Chang, Lawrence, Kan.  
B.A. (National Taiwan University);  
M.A. (University of Nebraska)  
*Field of Specialization: Political  
Science*

Mary Louise Cibulka, Jamestown  
B.S.Ed. (University of Dayton)  
*Field of Specialization: Education*

Glenda Irene Colton Clark, Berea  
B.S.Ed. (Mansfield State College,  
Pennsylvania)  
*Field of Specialization: Education*

Lorna June Clark, Columbus  
B.A. (Marshall University)  
*Field of Specialization: Education*

Stevenson Williams Close, Jr.,  
Churchville, Md.  
B.S. (Cornell University)  
*Field of Specialization: Education*

Daniel Thomas Comerford, Jr.,  
Buffalo, N. Y.  
B.S. (Canisius College)  
*Field of Specialization: Journalism*

Maureen Teresa Connolly, Columbus  
B.A. (Rosary Hill College)  
*Field of Specialization: Education*

Jean Kibele Cook, Columbus  
B.S.Ed.  
*Field of Specialization: Education*

Donald Ross Cope, Columbus  
B.S.Ed.  
*Field of Specialization: Education*

Vikki Ann Cornette, Worthington  
B.S.Ed. (Ohio University)  
*Field of Specialization: Education*

Michael Anthony Cowan, Chicago, Ill.  
B.S. (Loyola University)  
*Field of Specialization: Psychology*

Robert William Crafton, Dayton  
B.S.Ed. (Miami University)  
*Field of Specialization: Education*

Joanne Lucille Walton Craig,  
Columbus  
B.S.Bus.Adm., B.S.Ed.  
*Field of Specialization: Education*

Gretchen Z. Crawford, St. Clairsville  
B.A. (Western College)  
*Field of Specialization: Education*

Anne Katherine Criticos,  
Rochester, N. Y.  
B.A. (State University of New York,  
Brookport)  
*Field of Specialization: Psychology*

W. David F. J. Crosson, Columbus  
A.B. (Shimer College)  
*Field of Specialization: Journalism*

Lauren Lewis Crum, Columbus  
B.S. (University of Illinois)  
*Field of Specialization: Education*

Loraine I. Cunningham, Columbus  
B.S. (Alabama State College)  
*Field of Specialization: Education*

Elbertie Newman Curry, Marion  
B.S. (Rio Grande College)  
*Field of Specialization: Education*

Ruth Ellen Dalezman, Columbus  
B.A.  
*Field of Specialization: Psychology*

Lauren Levy Dank, Columbus  
B.S.Ed.  
*Field of Specialization: Education*

Donna York Darlage, Columbus  
B.S. (Ball State University)  
*Field of Specialization: Education*

\*Also Bachelor of Arts, Colleges of the Arts  
and Sciences

- Barbara Chabek Davidson, Parma  
B.S.Ed.  
*Field of Specialization*: Speech  
Communication
- Robert Alan Davidson, Columbus  
B.M.E. (Westminster Choir College)  
*Field of Specialization*: Music
- Richard Anthony DeBrosse, Dayton  
A.B. (Ohio University)  
*Field of Specialization*: Education
- John William Dege, Columbus  
B.A. (Macalester College)  
*Field of Specialization*: German
- Greta Teresa DeJong, Columbus  
A.B. (Calvin College)  
*Field of Specialization*: Education
- Lucia Elizabeth Del Favero,  
Meriden, Conn.  
A.B. (Connecticut College)  
*Field of Specialization*: Psychology
- Marlene Lansman Deringer,  
Westerville  
B.A. (Otterbein College)  
*Field of Specialization*: Education
- Steven Paul Deringer, Westerville  
B.S. (Otterbein College)  
*Field of Specialization*: Education
- Dreamalee Sue Divers, Avon  
B.A. (Mount Union College)  
*Field of Specialization*: Education
- William Francis Dobson, Cincinnati  
B.S.J. (Ohio University)  
*Field of Specialization*: Journalism
- Diane Marie Dodd, Westlake  
B.S.Ed. (Miami University)  
*Field of Specialization*: Physical  
Education
- Lindy Niermann Doles, Columbus  
B.S.Ed.  
*Field of Specialization*: Education
- Laurel Siefert Doran, Granville  
B.S.Ed.  
*Field of Specialization*: Education
- Mary Kay Dorn, South Solon  
B.S.Ed.  
*Field of Specialization*: Education
- Ellen Lyle Douglas, Marion  
B.S.Ed. (Bowling Green State  
University); M.S.  
*Field of Specialization*: Education
- Ursula Voellinger Duguid, Cincinnati  
B.A., B.S. (University of Cincinnati)  
*Field of Specialization*: German
- Audrey DuPuy, Goldsboro, N. C.  
B.A. (North Carolina College,  
Durham)  
*Field of Specialization*: Journalism
- James Faulkner Durham, Berea, Ky.  
B.A. (Berea College)  
*Field of Specialization*: Journalism
- Christiane Semirod Edmondson,  
Columbus  
B.S.Ed.  
*Field of Specialization*: Education
- Gerald Lee Edwards, Columbus  
B.S.Bus.Adm. (Franklin University)  
*Field of Specialization*: Education
- Stephen Moore Eldredge, Columbus  
B.A.  
*Field of Specialization*: Education
- Roberta Bender Elliott,  
Oxon Hill, Md.  
B.A.  
*Field of Specialization*: Classics
- Genevieve Harvey Eplin,  
St. Albans, W. Va.  
B.S.Ed. (Concord College); M.A.  
(Marshall University)  
*Field of Specialization*: Education
- Alan Escovitz, Cleveland Heights  
B.S.Ed. (Ohio University)  
*Field of Specialization*: Education
- Dennis Mark Eshbaugh, Dayton  
B.A.  
*Field of Specialization*: Education
- Pamela Jean Etsinger, Bucyrus  
B. J. (University of Texas)  
*Field of Specialization*: Journalism
- Dian Sesar Ewing, Columbus  
B.S.Ed.  
*Field of Specialization*: Education
- Sister Gerald Maureen Fadden,  
Philadelphia, Pa.  
A.B. (Immaculata College)  
*Field of Specialization*: Education
- Mary Redmond Fair, Columbus  
B.A.Jour.  
*Field of Specialization*: Journalism
- Joan Eileen Fallon, Lawrence, Mass.  
B.A. (Lowell State College)  
*Field of Specialization*: Journalism
- Harding Faulk, Tulsa, Okla.  
B.A. (Langston University)  
*Field of Specialization*: Education
- Katherine Marie Ficthtl, Quincy, Ill.  
B.A. (Quincy College)  
*Field of Specialization*: Psychology
- Iris Brown Fields, Columbus  
B.S.Ed. (Kent State University)  
*Field of Specialization*: Education
- Mary Ann Fisher, Cincinnati  
A.B. (Thomas More College)  
*Field of Specialization*: Education
- Suzanne Aleta Fisher, Columbus  
A.B. (Vassar College)  
*Field of Specialization*: Music
- Michael John Fitsko, Columbus  
B.S.Ed.  
*Field of Specialization*: Education
- Norma McGhee Fitz, Columbus  
A.B. (Florida Agricultural and  
Mechanical University)  
*Field of Specialization*: Education
- Sister Helen Ann Flemington,  
St. Louis, Mo.  
B.A. (Pontbonne College)  
*Field of Specialization*: Education
- Virgil Randall Flora,  
Fort Mitchell, Ky.  
B.S. (Marietta College)  
*Field of Specialization*: Education
- Earl Richard Focht, Dayton  
B.A. (Capital University)  
*Field of Specialization*: Physical  
Education
- Nancy Beth Cherry Fones, Columbus  
B.S.Ed.  
*Field of Specialization*: Education
- Mary Stacy Fraley, Columbus  
B.A. (Saint Augustine's College)  
*Field of Specialization*: Education
- Elizabeth Mae Franks,  
Lambertville, N. J.  
B.S. (Trenton State College)  
*Field of Specialization*: Physical  
Education
- Thomas Greg Frazier, Columbus  
B.S.Ed.  
*Field of Specialization*: Education
- Steven Lewis French, Columbus  
B.S. (John Carroll University);  
B.S.Ed.  
*Field of Specialization*: Education
- Donna Sue Moses Friedman,  
Columbus  
B.S.Ed.  
*Field of Specialization*: Education
- Gloria Drubin Friedman,  
Yellow Springs  
B.A. (Brandeis University)  
*Field of Specialization*: History of  
Art

- Daniel William Fromm, Columbus  
B.A.  
*Field of Specialization* : Economics
- Rondi L. George Fry, Muskegon, Mich.  
B.A. (Western Michigan University)  
*Field of Specialization* : Education
- Arthur Chester Fulton, Jr.,  
Sanford, N. C.  
B.S. (Fayetteville State Teachers  
College)  
*Field of Specialization* : Education
- Mark Louis Gagyi, Columbus  
B.S. (Bowling Green State  
University)  
*Field of Specialization* : Education
- Maureen Kearns Garabis, Cleveland  
B.A. (Marygrove College)  
*Field of Specialization* : English
- Ethel Terry Garfinkle,  
Shaker Heights  
B.A. (Carnegie-Mellon University)  
*Field of Specialization* : Education
- Gary Kenneth Gartin, Columbus  
B.A.  
*Field of Specialization* : Political  
Science
- Felicia Menette Gaston,  
Roosevelt, N. Y.  
B.A. (Fisk University)  
*Field of Specialization* : Education
- Tom Joseph Gauldin,  
Washington C. H.  
B.S.  
*Field of Specialization* : Education
- Marilyn Reiff George,  
South Belmar, N. J.  
B.A. (College Misericordia)  
*Field of Specialization* : History of  
Art
- Sister Roxanne Gier, Manitowoc, Wis.  
B.A. (Holy Family College,  
Wisconsin)  
*Field of Specialization* : Education
- Jennifer Anne Gille, Topeka, Kan.  
B.A. (University of Kansas)  
*Field of Specialization* : Psychology
- Clarinda Gipson, Sibley, La.  
B.A. (Grambling College)  
*Field of Specialization* : Journalism
- Mary Harvey Glendenning,  
Springfield  
B.S.Ed. (Ohio University)  
*Field of Specialization* : Education
- Gerald Arthur Gochenour, Springfield  
B.S.Ed.  
*Field of Specialization* : Education
- Ruth Ellen Goldberg, Hillside, N. J.  
B.A. (Trenton State College)  
*Field of Specialization* : Psychology
- Donna Turk Goodman, Mansfield  
B.S.Ed.  
*Field of Specialization* : Education
- Dora West Gorey, Columbus  
B.S.Ed.  
*Field of Specialization* : Education
- Donald E. Grabenstetter, Valley City  
B.A. (University of Dayton)  
*Field of Specialization* : Economics
- Delsa Lattimer Grant, Columbus  
B.S.Ed.  
*Field of Specialization* : Education
- John William Grashel, Columbus  
B.S.Ed.  
*Field of Specialization* : Music
- Cordelia Ann Graves, Westfield, N. J.  
B.S.Ed. (Central State College)  
*Field of Specialization* : Physical  
Education
- Charles Robert Grimes, Barnesville  
B.A. (Bob Jones University)  
*Field of Specialization* : Education
- Janet Cole Grise, Columbus  
B.S.Ed. (University of Cincinnati)  
*Field of Specialization* : Education
- Rickie Sue Grunden, Columbus  
B.S.Ed.  
*Field of Specialization* : Physical  
Education
- Carolyn Marie Hagey, Columbus  
B.S.Ed.  
*Field of Specialization* : Speech  
Communication
- Frank Robert Haight, Baltimore, Md.  
B.A. (Furman University) ; M.L.A.  
(Johns Hopkins University)  
*Field of Specialization* : Education
- Jane Chrimer Hale, St. Louisville  
A.B. (Colorado State College)  
*Field of Specialization* : Education
- A. Laura Vandiver Hall, Columbus  
B.S. (Morris College)  
*Field of Specialization* : Education
- Evelyn Larson Hall, Columbus  
B.S.Ed.  
*Field of Specialization* : Education
- Sharon Duke Hallowes, Columbus, Ga.  
B.S. (North Georgia College)  
*Field of Specialization* : Education
- Wayne Edward Hannon, Grove City  
B.S.Ed.  
*Field of Specialization* : Education
- Draw Raymond Hansen, Norwich  
B.S.  
*Field of Specialization* : Education
- Wanda Miller Harewood, Columbus  
B.S.Ed.  
*Field of Specialization* : Education
- Mary Huntzinger Hargrove, Columbus  
B.A.Jour.  
*Field of Specialization* : Journalism
- Margaret Hitselberger Harmon,  
Columbus  
A.B. (Trinity College)  
*Field of Specialization* : Psychology
- Margaret Newhouse Harmon,  
Columbus  
B.S.Ed. (Miami University)  
*Field of Specialization* : Education
- Mary Morris Harris, Hilliard  
B.S.Ed.  
*Field of Specialization* : Education
- Clyde Eugene Harrison, Columbus  
B.S.Ed.  
*Field of Specialization* : Education
- Kiyoji Hasegawa, Osaka, Japan  
B.A. (Waseda University)  
*Field of Specialization* : Business  
Administration
- Robert Allen Hawkins, Columbus  
B.S.Ed.  
*Field of Specialization* : Education
- Susan Rae Savage Hearn, Columbus  
B.S.Ed.  
*Field of Specialization* : Education
- Diane Robinson Heck, Worthington  
B.S. (University of Maine)  
*Field of Specialization* : Education
- Dennis Randall Hedges, Columbus  
B.A. (Otterbein College)  
*Field of Specialization* : Education
- Larry Lee Heintz, Oak Harbor  
B.S.Agr.  
*Field of Specialization* : Agricultural  
Education
- Donald Richard Henne, Columbus  
B.S.Ed.  
*Field of Specialization* : Physical  
Education
- Susan Munch Hess, Columbus  
B.S.Ed.  
*Field of Specialization* : Education
- Shirley deChabert Highfield,  
Portsmouth  
B.S.Ed.  
*Field of Specialization* : Education

- Shaun Mark Hirschl, Columbus  
B.S.Ed. (Ohio University)  
*Field of Specialization*: Education
- Sister Margaret Mary Hoffman,  
Louisville  
A.B. (College of Saint Francis,  
Illinois)  
*Field of Specialization*: English
- Diana Oty Holbrook, Columbus  
B.S.Ed.  
*Field of Specialization*: Education
- Gary Leon Holland, Baltimore, Md.  
B.A. (Morgan State College)  
*Field of Specialization*: Public  
Administration
- Nicki Giacomo Holloway, Columbus  
B.A. (Mississippi State College for  
Women)  
*Field of Specialization*: Sociology
- David Gene Hoover, Columbus  
B.S.Ed.  
*Field of Specialization*: Political  
Science
- William George Hospodar,  
Sagamore, Pa.  
B.S. (Indiana University of  
Pennsylvania)  
*Field of Specialization*: Education
- Beverly Ace Hotze, Westerville  
B.S.Ed. (Otterbein College)  
*Field of Specialization*: Education
- Larry Gene Howes, Lakewood  
B.S.Ed.  
*Field of Specialization*: Music
- William David Hughes, Columbus  
B.S.Ed. (Bowling Green State  
University)  
*Field of Specialization*: Education
- Charles James Hunter, Columbus  
B.S.  
*Field of Specialization*: Physical  
Education
- Gerald Anthony Huss, Columbus  
B.S.Ed.  
*Field of Specialization*: Education
- Janette Pat Burton Huss, Columbus  
B.S.Ed. (Ohio University)  
*Field of Specialization*: Speech  
Communication
- Donna Kay Iden, Newark  
B.S. in Ed. (Muskingum College)  
*Field of Specialization*: Education
- Ann Ferguson Imbody, Marion  
B.S.Ed.  
*Field of Specialization*: Education
- Deborah Gwin Ingraham, Wadsworth  
B.M. (University of Akron)  
*Field of Specialization*: Music
- Helayna Theresa Iwani, Roslyn, N. Y.  
B.A.  
*Field of Specialization*: History of  
Art
- Karen Summers Jayne, Westerville  
B.S. in Ed. (Otterbein College)  
*Field of Specialization*: Education
- Arthur Bridges Jefferson, Jr.,  
Baton Rouge, La.  
B.S. (Southern University)  
*Field of Specialization*: Education
- Ben Robert Jinks, Columbus  
B.S.Ed. (Ohio University)  
*Field of Specialization*: Education
- Albert Neil Johnson, Columbus  
B.S.Ed.  
*Field of Specialization*: Education
- Sally Louise Johnston,  
New Philadelphia  
B.M.E. (Baldwin-Wallace College)  
*Field of Specialization*: Music
- Lillian Dolan Jonassen, Columbus  
B.S.Ed.  
*Field of Specialization*: Education
- Alan David Jones, Grove City  
B.S.Ed.  
*Field of Specialization*: Education
- Bruce William Jones, Grove City  
B.S.Ed.  
*Field of Specialization*: Education
- Barbara Phillips Juliussen, Columbus  
B.S.Ed.  
*Field of Specialization*: Education
- Gregory L. Karam, Cincinnati  
B.S.Bus.Adm.  
*Field of Specialization*: Public  
Administration
- Julia Holton King, Columbus  
B.A. (Miami University)  
*Field of Specialization*: Education
- Alexandra Kizinski, Providence, R. I.  
B.S. (Saint Louis University);  
M.A.T. (Rhode Island College)  
*Field of Specialization*: Education
- Boyd Edwin Klinker, Jr., Lancaster  
B.S.B.A. (Capital University)  
*Field of Specialization*: Business  
Administration
- Beverly Belair Knott, Columbus  
B.S.Ed.  
*Field of Specialization*: Education
- Maryanne Frances Koschir,  
Richmond Hill, N. Y.  
B.A. (LeMoyné College)  
*Field of Specialization*: Psychology
- Robert Gary Koziel, Cleveland  
B.S. in B.A. (Marquette University)  
*Field of Specialization*: Journalism
- James Walter Kristoff, Columbus  
B.S. in B.A. (John Carroll  
University)  
*Field of Specialization*: Business  
Administration
- Helen Louise Kropscott,  
Midland, Mich.  
B.A. (Adrian College)  
*Field of Specialization*: Speech  
Communication
- Michael Francis Kukla, Cleveland  
B.A. (Cleveland State University)  
*Field of Specialization*: Economics
- Linda Joyce Seymour Lambert,  
Fredericktown  
B.S.Ed.  
*Field of Specialization*: Education
- Kathleen McDargh Lane, Columbus  
B.S.Ed. (Miami University)  
*Field of Specialization*: Physical  
Education
- Roland Irvin Lane, Columbus  
A.B. (Asbury College)  
*Field of Specialization*: Education
- Richard Warren Lang, Wausau, Wis.  
B.A. (Saint Olaf College)  
*Field of Specialization*: Economics
- William Alin Lawrence,  
Indianapolis, Ind.  
B.S.Ed. (Central State College)  
*Field of Specialization*: Education
- Linda Lou Michael Lehman, Columbus  
B.S. (Wright State University)  
*Field of Specialization*: Education
- Elizabeth Lowey Lehnert, Columbus  
B.S. in Ed. (Ohio Dominican College)  
*Field of Specialization*: Education
- Linda Thoms Levstik, Columbus  
B.S. in Ed. (Capital University)  
*Field of Specialization*: Education
- Marc Allen Lindberg, Duluth, Minn.  
B.A. (University of Minnesota,  
Duluth)  
*Field of Specialization*: Psychology
- Dean Richard Lindsay, Richwood  
B.S.Med.Illus.  
*Field of Specialization*: Design



Ethel Edmondson Lineberger,  
Seat Pleasant, Md.  
A.B. (North Carolina College  
at Durham)  
*Field of Specialization:* Education

Wendell Wayne Litt, Fredericktown  
B.S.Agr.  
*Field of Specialization:* Agricultural  
Education

Paula Boron Lohnes, Orrville  
B.S.Ed. (Miami University)  
*Field of Specialization:* Physical  
Education

Pauline Mary Lokuta, Clark, N. J.  
B.A. (Newark State College)  
*Field of Specialization:* Physical  
Education

David Henry Looman, Canton  
A.B. (Columbia University)  
*Field of Specialization:* Philosophy

Alan Tunis Lord, Columbus  
B.S.Bus.Adm.  
*Field of Specialization:* Business  
Administration

Irene Hamilton Lund, Columbus  
B.S.Ed.  
*Field of Specialization:* Education

Trudy Mann Lusher,  
Canal Winchester  
B.S.Ed.  
*Field of Specialization:* Education

Lynn Eva Chambers Lust, Columbus  
B.S.Ed. (Ohio University)  
*Field of Specialization:* Education

Don Richard Lutz, Columbus  
B.Mus.Ed. (Otterbein College)  
*Field of Specialization:* Music

Carol Snashall Mackey, Grove City  
B.S.Ed.  
*Field of Specialization:* Education

Randall John Mackie,  
Grand Haven, Mich.  
A.B. (University of Michigan)  
*Field of Specialization:* Romance  
Languages

Susan Ann Manker, Canal Winchester  
B.S.Ed. (Capital University)  
*Field of Specialization:* Education

Fred Gordon Marshall, Kirkwood, Mo.  
B.A. (University of Wisconsin)  
*Field of Specialization:* Journalism

John Augustine Martin, III,  
Hingham, Mass.  
B.S. (Springfield College)  
*Field of Specialization:* Physical  
Education

Michelle Ann Mason, Monticello, N.Y.  
B.A. (University of Bridgeport)  
*Field of Specialization:* Education

Gloria C. Massenburg,  
Petersburg, Va.  
B.A. (Saint Augustine's College)  
*Field of Specialization:* Education

Margaret Jean Mastalerz,  
Charleston, W. Va.  
B.S.Bus.Ad. (West Virginia  
University)  
*Field of Specialization:* Journalism

Bonnie Hummel Matthews,  
Worthington  
B.S. (Bowling Green State  
University)  
*Field of Specialization:* Speech  
Communication

Velma Boerger Matuszewski, Anna  
A.B. (College of Mount Saint Joseph  
on-the-Ohio)  
*Field of Specialization:* Education

Emogene Mayper, Columbus  
B.S.Ed. (Ohio University)  
*Field of Specialization:* Education

Jerry Lee McAfee, Columbus  
B.S.Ed.  
*Field of Specialization:* Music

Willie James McCaslin, Dayton  
B.S.Ed. (Central State University)  
*Field of Specialization:* Education

Edwin P. McClain, Jr., Columbus  
B.A.  
*Field of Specialization:* Political  
Science

Sandra LaBlonde McClairne,  
West Helena, Ark.  
B.A. (Jackson State College)  
*Field of Specialization:* Journalism

Richard DeWayne McClellan,  
Columbus  
B.S.Ed.  
*Field of Specialization:* Education

Phillip Brenton McCluggage,  
Coshocton  
B.A. (Ohio Wesleyan University)  
*Field of Specialization:* Education

Nancy Jane McCormick, Columbus  
B.S.Ed. (Muskingum College)  
*Field of Specialization:* Education

Joan Root McElheny, Hilliard  
B.S.Ed.  
*Field of Specialization:* Education

George Steven McGuire, Marion  
B.A.  
*Field of Specialization:* Classics

Joseph Patrick McKerns,  
South Bend, Ind.  
B.A. (University of Notre Dame)  
*Field of Specialization:* Journalism

Mary Elizabeth McLaughlin,  
Columbus  
B.S. (Capital University)  
*Field of Specialization:* Education

Michael Joseph McLeod, Columbus  
A.B. (Ohio Dominican College)  
*Field of Specialization:* Journalism

Charles L. McNair, La Grange, Ga.  
B.S. (Tougaloo College)  
*Field of Specialization:* Education

Jacqueline Louise McNeil, Columbus  
B.S.Ed. (Knoxville College)  
*Field of Specialization:* Education

Sandra Sue Mendenhall, Columbus  
B.S.Ed. (Central State College)  
*Field of Specialization:* Education

Robyn Ann Meyer, Oneida, N. Y.  
B.S. (State University College,  
Oswego, New York)  
*Field of Specialization:* Education

Rollin McNamara Michael, Delaware  
B.S.Ed. (Capital University)  
*Field of Specialization:* Physical  
Education (Health Education)

Bette Speziale Miller,  
State College, Pa.  
B.S.Ed.  
*Field of Specialization:* Physical  
Education (Health Education)

Bruce Rowland Miller, Mansfield  
B.S.Ed.  
*Field of Specialization:* Music

Jerry Lynn Miller, Lexington  
B.S.Ed.  
*Field of Specialization:* Education

Penny Lee Miller, Miami Beach, Fla.  
B.S. (University of Missouri at  
Columbia)  
*Field of Specialization:* Physical  
Education

Russell Allen Miller, Columbus  
B.A. (Bradley University); M.C.P.  
*Field of Specialization:* Public  
Administration

- Chester Hayden Mohler, Columbus  
B.S.Ed.  
*Field of Specialization: Education*
- Thomas L. Mooney, Columbus  
B.S.Ed.  
*Field of Specialization: Education*
- Cheryl Frances Moore, Columbus  
B.S.J. (Ohio University)  
*Field of Specialization: Journalism*
- Sandra Irwin Morgan, Columbus  
B.S. (Middle Tennessee State University)  
*Field of Specialization: Education*
- Pete MacIntosh Murchison,  
Falls Church, Va.  
B.A. (University of Texas)  
*Field of Specialization: Political Science*
- Adrienne Viola Neal, Columbus  
B.S.Ed. (Chicago State University)  
*Field of Specialization: Education*
- Peggy Ellen Nemeth, Chagrin Falls  
B.S.Ed.  
*Field of Specialization: Education*
- Marvin Albert Neubig, Loudonville  
B.S.Ed.  
*Field of Specialization: Education*
- Don Leslie Neumann, Marion  
B.S.Ed.  
*Field of Specialization: Education*
- Thomas William Nightingale,  
Middleville, N. Y.  
B.S. (University of Cincinnati)  
*Field of Specialization: Physical Education*
- Carol Finkler Novak, Columbus  
A.B. (Hunter College)  
*Field of Specialization: Education*
- Sister Mary Ann Nugent, Columbus  
B.A. (Holy Family College,  
Wisconsin)  
*Field of Specialization: Education*
- Joseph Oddo, Newton Square, Pa.  
A.B. (Saint Joseph College,  
Pennsylvania)  
*Field of Specialization: History*
- Lawrence Okey Onyejekwe,  
Onitsha, Nigeria  
B.A. (University of Nigeria)  
*Field of Specialization: Journalism*
- Paul John Oosting,  
Grand Rapids, Mich.  
A.B., A.B.Ed. (Calvin College)  
*Field of Specialization: German*
- Charles Franklin Ottinger,  
Nashville, Tenn.  
B.A. (David Lipscomb College)  
*Field of Specialization: Speech Communication*
- Roberta Jean Otto, Columbus  
B.S.Ed.  
*Field of Specialization: Education*
- Mary Beth Overcash, Columbus  
B.S.Ed.  
*Field of Specialization: Education*
- Allan Bruce Padderud, Chicago, Ill.  
A.B. (University of Illinois)  
*Field of Specialization: Speech Communication*
- Susan Maxwell Panny, Columbus  
B.A. (Paterson State College)  
*Field of Specialization: Education*
- Terri Goldberg Paul, Columbus  
A.B. (Washington University)  
*Field of Specialization: English*
- Charles Allen Peckham, Rantoul, Kan.  
B.A. (Washburn University of Topeka)  
*Field of Specialization: History*
- Julie McAlister Pecko, Columbus  
B.A. (Capital University)  
*Field of Specialization: Education*
- Mary Ruff Perdue, Atlanta, Ga.  
B.S. (University of Georgia)  
*Field of Specialization: Speech Communication*
- Ralph Lorin Pim, Akron  
B.S. (Springfield College)  
*Field of Specialization: Physical Education*
- Cecilia Anne Pinkerton, Columbus  
B.A. (Ohio University)  
*Field of Specialization: Psychology*
- Louise Bourbeau Poirier,  
Charlesbourg, Que., Canada  
B.A. (Université Laval)  
*Field of Specialization: Art Education*
- Gail Laverne Porter, Loudonville  
B.S.Ed. (Kent State University)  
*Field of Specialization: Education*
- Martha Jane Posner, Fairport, N. Y.  
B.S. (State University of New York,  
Brookport)  
*Field of Specialization: Physical Education*
- Agnes Whittington Potect,  
Canal Winchester  
B.S.Ed.  
*Field of Specialization: Education*
- Carol Henshaw Prantich, Columbus  
B.S.Ed.  
*Field of Specialization: Education*
- Cynthia Ann Prendergast,  
Fort Dodge, Ia.  
B.S. (Iowa State University of Science and Technology)  
*Field of Specialization: Journalism*
- Janet Samolis Province, Lancaster  
B.S.Ed.  
*Field of Specialization: Education*
- Margaret Barenthin Pyron,  
Galesville, Wis.  
B.S. (Wisconsin State University)  
*Field of Specialization: Education*
- Donnie Lee Rader, Garber, Okla.  
B.S. (Northwestern State College)  
*Field of Specialization: Education*
- Dorothy Lavern Rainey, Ocala, Ga.  
B.S. (Albany State College)  
*Field of Specialization: Education*
- Marcia Jayne Penny Ramm, Akron  
B.S.Ed.  
*Field of Specialization: Education*
- Frederick Earl Ramsey,  
Glens Falls, N. Y.  
B.S. (Alabama State College)  
*Field of Specialization: Education*
- Stephen James Ramsey, Orient  
B.S.Ed.  
*Field of Specialization: Education*
- Kummi Ranjit, New Delphi, India  
B.S. (University of Wyoming)  
*Field of Specialization: Journalism*
- Ayers Ray Ratliff, Marion  
B.S.Ed.  
*Field of Specialization: Education*
- James Arthur Ravan, Jr., Akron  
B.Mus.  
*Field of Specialization: Music*
- Rebecca Ann Reed, Columbus  
B.A. (Miami University)  
*Field of Specialization: Journalism*
- John William Reese, Norman, Okla.  
B.A. (University of Oklahoma)  
*Field of Specialization: English*
- Brenda Christine Rensi, Columbus  
B.S.Ed. (Ohio University)  
*Field of Specialization: Education*
- Ernest Samuel Rensi, Columbus  
B.S.Ed.  
*Field of Specialization: Education*
- John Robert Rice, Columbus  
B.S.Ed.  
*Field of Specialization: Education*

Edna Hipsler Richards, Willard  
B.S. (Otterbein College)  
*Field of Specialization:* Education

Catherine Ruth Riekel, Columbus  
B.S.Ed.  
*Field of Specialization:* Education

Alma Jolley Riley, Columbus  
B.S.Ed.  
*Field of Specialization:* Education

Kathryn Helene Ripley,  
Livingston, N. J.  
B.A. (University of New Hampshire)  
*Field of Specialization:* Education

Carol Petuch Rissanen, Columbus  
B.S. (Marietta College)  
*Field of Specialization:* Education

Patricia Wise Ritter, Columbus  
B.A. (University of Virginia,  
Mary Washington College)  
*Field of Specialization:* Speech  
Communication

Blaine Montgomery Roberts,  
San Diego, Calif.  
B.A. (University of Southern  
California, Los Angeles)  
*Field of Specialization:* Psychology

Michael Lester Rose, Columbus  
B.A. (Miami University)  
*Field of Specialization:* Public  
Administration

Thomas Rutledge Rosebrough,  
Mt. Vernon  
B.A.  
*Field of Specialization:* Education

Barbara Lynn Ross, Zanesville  
B.Mus. (Capital University)  
*Field of Specialization:* Music

Melinda Laurel Ross, Columbus  
B.S.Ed.  
*Field of Specialization:* Education

Ann Weise Ruedele, Worthington  
A.B. (West Virginia University)  
*Field of Specialization:* Education

Aldena Ann Shato Runyan, Delaware  
B.S.Ed. (Rio Grande College)  
*Field of Specialization:* Education

Steven Neal Russell, Columbus  
B.S.Ed.  
*Field of Specialization:* Education

Sister Pamela Ann Russo,  
Bronx, N. Y.  
B.S. (Good Counsel College)  
*Field of Specialization:* Education

Joan Sagotsky, Freehold, N. J.  
A.B. (Cornell University)  
*Field of Specialization:* Education

Louise Janet Samaha,  
Plymouth, N. H.  
B.S. (Plymouth State College)  
*Field of Specialization:* Physical  
Education

Kathryn Rofkahr Sanders, Columbus  
B.A. (Holy Family College,  
Wisconsin)  
*Field of Specialization:* Education

Janice Ruth Sandiford, Columbus  
B.S.Nurs.  
*Field of Specialization:* Education

Stephen Craig Sawyer,  
Stanford, Conn.  
B.S. (Southern Connecticut State  
College)  
*Field of Specialization:* Physical  
Education (Health Education)

Mary Brown Schilling, Columbus  
B.Mus.Ed.  
*Field of Specialization:* Music

Madelyn Alcen Schlaepfer,  
Wheatridge, Colo.  
B.A. (University of Colorado)  
*Field of Specialization:* Psychology

Daniel K. Schneider, Kettlersville  
B.A. (Wittenberg University);  
M.S.T. (Drake University)  
*Field of Specialization:* History

Larry Anton Schoch, Wausau, Wis.  
B.S. (Wisconsin State College)  
*Field of Specialization:* Education

Amy Sabroske Schubeck, Findlay  
B.S.Ed.  
*Field of Specialization:* Education

Maxine Cunningham Scott, Coshocton  
B.S.Ed.  
*Field of Specialization:* Education

Keith Franklin Sellers, Columbus  
B.A. (Anderson College)  
*Field of Specialization:* Education

Linda Shapiro Semple, Reynoldsburg  
B.S.S.S. (Ohio University); B.S.Ed.  
*Field of Specialization:* Education

Nancy Geiger Shafer, Columbus  
B.S. (Capital University)  
*Field of Specialization:* Education

Sandra Laranell Shands, Dayton  
B.S.Ed. (Wilberforce University)  
*Field of Specialization:* Education

Peter Lazarus Shinbach, Columbus  
B.A. (Miami University)  
*Field of Specialization:* Journalism

Jane Mahler Sieuro, Columbus  
B.S.H.E.  
*Field of Specialization:* Education

Arthur Joseph Signore, Jr.,  
Worthington  
B.S.Ed.  
*Field of Specialization:* Physical  
Education

David Durell Simpson,  
Williamsville, N. Y.  
A.B. (Oberlin College)  
*Field of Specialization:* Psychology

James Eugene Sinden, Marion  
B.A. (Ohio Northern University)  
*Field of Specialization:* Education

Ruth Rolt-Wheeler Skidmore,  
Marysville  
B.A. (Denison University)  
*Field of Specialization:* Education

David Lee Slager, Lancaster  
B.S.Ed.  
*Field of Specialization:* Physical  
Education

Sheila Smith Sledge, Lynchburg, Va.  
B.S. (Madison College)  
*Field of Specialization:* Education

Nancy Elaine Small, Columbus  
B.S.Ed. (Capital University)  
*Field of Specialization:* Education

Gwendolyn Juanita Smith, Columbus  
B.S. (Bluefield State College)  
*Field of Specialization:* Education

Jessica Faye Smith, Ypsilanti, Mich.  
B.S.Ed.  
*Field of Specialization:* Education

Mary Jo Fetter Smith, Columbus  
B.A. (Otterbein College)  
*Field of Specialization:* Education

Robert James Smith, Tallahassee, Fla.  
B.A. (Florida Agricultural and  
Mechanical University)  
*Field of Specialization:* Psychology

Taylor Smith, Jr., Columbus  
B.S. (Kentucky State College)  
*Field of Specialization:* Education

Jack Benny Sopher, Columbus  
B.S.Ed. (Wilberforce University)  
*Field of Specialization:* Education

David Lewis Spittler, Columbus  
B.A. (Capital University)  
*Field of Specialization:* Education

Michael William Stanich, Columbus  
B.A.  
*Field of Specialization:* Education

David Lawrence Stanley, Columbus  
B.S.Ed.  
*Field of Specialization:* Education

- Geralda E. Stanton, Columbus  
B.S. (University of Minnesota,  
Minneapolis)  
*Field of Specialization*: Music
- JoAnn LaMuth Stearns, Columbus  
B.S.Ed.  
*Field of Specialization*: Education
- Rainer Erich Steinhoff, Columbus  
B.A., M.A.  
*Field of Specialization*: Journalism
- C. William Steinmetz, Columbus  
B.A. (Don Bosco College)  
*Field of Specialization*: Physical  
Education
- Mary Kirker Stenner, Columbus  
B.S.Ed.  
*Field of Specialization*: Education
- John Richard Stephens, Marysville  
B.S.Ed.  
*Field of Specialization*: Journalism
- Jewel Hope Stewart, Petersburg, Va.  
B.A. (Morgan State College)  
*Field of Specialization*: Education
- Gary Wayne Stith, Tulsa, Okla.  
B.A. (Oklahoma State University);  
M.C.P.  
*Field of Specialization*: Public  
Administration
- Randall Robert Stith, Columbus  
B.A. (Miami University)  
*Field of Specialization*: Speech  
Communication
- Haskel Paul Stone, Jr., Newark  
B.S. (West Virginia State College)  
*Field of Specialization*: Education
- Lennie Jeanette Stoner, Columbus  
B.A. (Grove City College)  
*Field of Specialization*: Education
- Marion Virginia Stoops, Columbus  
A.B. (Monmouth College)  
*Field of Specialization*: English
- Sandra Lybarger Strauch, Columbus  
B.S. in Ed. (Miami University)  
*Field of Specialization*: Education
- Steven White Straw, Salt Lake City, Utah  
B.S. (University of Utah)  
*Field of Specialization*: Business  
Administration
- Walter Louis Sunderhaus, Cincinnati  
B.S.Ed.  
*Field of Specialization*: Physical  
Education
- Joan Carol Swinehart, Columbus  
A.B. (Heidelberg College)  
*Field of Specialization*: Education
- Linda Lou Tallman, Columbus  
B.S.Ed.  
*Field of Specialization*: Education
- James Edwin Taylor, Steubenville  
B.S.Ed. (Bowling Green State  
University)  
*Field of Specialization*: Education
- Sylvia Moore Thompson, Columbus  
B.S. (University of Cincinnati)  
*Field of Specialization*: Education
- Thomas Eugene Thorpe, Springfield  
B.S.Bus.Adm.  
*Field of Specialization*: Public  
Administration
- Judy Ann Thurman, Lancaster  
B.S.Ed. (Ohio University)  
*Field of Specialization*: Education
- Thelma Jean Brookins Tippett,  
Chauncey  
B.S.Ed. (Ohio University)  
*Field of Specialization*: Education
- Frank Allen Titus, Pomeroy  
B.A.  
*Field of Specialization*: Journalism
- Richard Erick Torres, Columbus  
B.S.Ed.  
*Field of Specialization*: Education
- Arvo Wayne Toukonen, Jefferson  
B.S., B.S.Ed.  
*Field of Specialization*: Education
- Kenneth Wilton Town, Middlefield  
B.A. (Michigan State University)  
*Field of Specialization*: Political  
Science
- Bruce Homer Traub, Seattle, Wash.  
B.S.L. (Mountain View Bible  
College); B.A. (Seattle Pacific  
College)  
*Field of Specialization*: Psychology
- Betty Bell Tryon, Columbus  
B.S.Ed.  
*Field of Specialization*: Education
- Thomas Gerard Tyrowicz, Columbus  
B.S.Ed.  
*Field of Specialization*: Physical  
Education
- Nancy Jane Tyson,  
Huntington, W. Va.  
B.A. (Marshall University)  
*Field of Specialization*: English
- Geraldine Kloos Van Horn,  
Pittsburgh, Pa.  
B.A. (Carnegie-Mellon University)  
*Field of Specialization*: English
- Carmen Judith Velez,  
Rio Piedras, Puerto Rico  
B.A. (University of Puerto Rico)  
*Field of Specialization*: Journalism
- Pete Joseph Veneziano, Marion  
B.S. (Salem College, West Virginia)  
*Field of Specialization*: Education
- John Ray Venters, Columbus  
B.A.Jour.  
*Field of Specialization*: Journalism
- Donald Bradford Vitz, Cincinnati  
B.A. (Macalester College)  
*Field of Specialization*: Public  
Administration
- Renate Langwald Voris, Columbus  
B.A.  
*Field of Specialization*: German
- Elaine LaFontaine Wagner, Carey  
B.A., B.S.Ed.  
*Field of Specialization*: History
- George David Wainer, Columbus  
B.S. (Kent State University)  
*Field of Specialization*: Education
- Jacqueline Walbolt, Columbus  
B.S. (Eastern Michigan University)  
*Field of Specialization*: Education
- Joseph Anthony Waldron, Columbus  
B.A. (State University of New York  
College at Buffalo)  
*Field of Specialization*: Psychology
- Michael Thomas Walker, Columbus  
B.S.Ed. (Ohio University)  
*Field of Specialization*: Education
- Patricia Ann Walker, Rochester, N. Y.  
B.A. (Seton Hill College)  
*Field of Specialization*: Speech  
Communication
- Sharon Anita Walker, Lexington, Ky.  
B.A. (Kentucky State College)  
*Field of Specialization*: Education
- John Reed Walton, Bellefontaine  
B.S.Bus.Adm.  
*Field of Specialization*: Business  
Administration
- Barbara Ritchie Weaver, Columbus  
B.S.Ed.  
*Field of Specialization*: Education
- Audrey Beatrice Weeks, Columbus  
B.S.Ed.  
*Field of Specialization*: Education
- Ann Marie Weiss, Cleveland Heights  
B.A. (Saint Marys College, Indiana)  
*Field of Specialization*: English
- Douglas Whitaker, Centerburg  
B.S. (Cumberland College)  
*Field of Specialization*: Education

Geneva Lorine White, Columbus  
B.S.Ed.  
*Field of Specialization:* Education

Samuel Lee White, Natchez, Miss.  
B.A. (Jackson State College)  
*Field of Specialization:* Political  
Science

Sandra Jeanne White, Columbus  
B.A., B.S.Ed.  
*Field of Specialization:* Classics

Thomas Lynn White, Columbus  
B.S.Ed.  
*Field of Specialization:* Education

Susan Louise Wilcoxon, Columbus  
B.S. in Edu. (Muskingum College)  
*Field of Specialization:* Education

Cheryl Lucile Wilkins, Columbus  
B.A. (Ohio Dominican College)  
*Field of Specialization:* Education

Reginald Alan Wilkinson, Cleveland  
B.A.  
*Field of Specialization:* Education

Iris Pearl Williams, Norfolk, Va.  
B.A. (Norfolk State College)  
*Field of Specialization:* Education

James Arthur Williams, Sr.,  
Washington, D. C.  
B.S. (District of Columbia Teachers  
College)  
*Field of Specialization:* Education

Thomas Albert Williams, Thornville  
A.B. (Morehead State College)  
*Field of Specialization:* Education

Lawrence Lattimer Willis, Columbus  
B.A. (College of Wooster)  
*Field of Specialization:* Education

Deborah Jane Wilson, Vinton, Va.  
B.S. (Madison College)  
*Field of Specialization:* Physical  
Education

Alice Patrie Wing, Columbus  
B.A. (University of Dubuque);  
B.S.Ed.  
*Field of Specialization:* Physical  
Education

Paul Henry Winters, Columbus  
B.S.Ed. (Ohio University)  
*Field of Specialization:* Education

Edward J. Witaszek,  
New York Mills, N. Y.  
B.A. (State University of New York,  
Albany)  
*Field of Specialization:* Slavic  
Languages

Mitchell Jay Wolf, Levittown, N. Y.  
B.A. (State University of New York  
College at Cortland)  
*Field of Specialization:* Education

Mary Jenette Wolford, Columbus  
B.S.Ed. (Ohio University)  
*Field of Specialization:* Education

Wai-Leung Wong, Hong Kong  
B.A. (New Asia College); M.S.  
(Oklahoma State University)  
*Field of Specialization:* East Asian  
Languages

Marlene Mossberger Woodfill,  
Columbus  
B.S.Ed.  
*Field of Specialization:* Physical  
Education (Health Education)

Sandra Kay Woodruff, Albany  
B.S.Ed.  
*Field of Specialization:* Speech  
Communication

Teretha Ann Woods, Columbus  
B.S.Ed. (Central State College)  
*Field of Specialization:* Education

Timothy Warren Workman, Ashland  
B.M. (Ashland College)  
*Field of Specialization:* Music

Glenda Sharp York, Columbus  
B.S. (Middle Tennessee State College)  
*Field of Specialization:* Education

Judith Safstrom Zang, Columbus  
B.Mus.Ed.  
*Field of Specialization:* Music

Anne Carter Ely Zimmer, Columbus  
A.B. (Vassar College)  
*Field of Specialization:* Speech  
Communication

Jeanne Wiegand Zingale, Columbus  
B.S. (Capital University)  
*Field of Specialization:* Theatre

#### **Master of Business Administration** Twenty candidates

Scott Louis Armstrong, Columbus  
B.S.Bus.Adm.  
*Field of Specialization:* Business  
Administration

Robert Casmer Banasik, Columbus  
B.S.M.E. (Wayne State University);  
M.S. in Ind. Engr. (Texas  
Technological College)  
*Field of Specialization:* Business  
Administration

John Garfield Burt, Louisville, Ky.  
B.A. (Hanover College); M.S. (Miami  
University); M.S., Ph.D.  
*Field of Specialization:* Business  
Administration

Glenn Clark Christenson, Clinton  
B.A. (Wittenberg University)  
*Field of Specialization:* Business  
Administration

Charles William Claggett, Newark  
B.A. (Denison University)  
*Field of Specialization:* Business  
Administration

Robert Donald Clegg, Pickerington  
B.S.I.E.  
*Field of Specialization:* Business  
Administration

Roger Dean Drummond, Columbus  
B.S.E. (E.E.) (University of  
Michigan); M.S.  
*Field of Specialization:* Business  
Administration

Philip Eugene Eggers, Akron  
B.S., M.S.  
*Field of Specialization:* Business  
Administration

Richard Frederick Garvin,  
Charlestown, Mass.  
B.S. in Ch.E. (Northeastern  
University)  
*Field of Specialization:* Business  
Administration

Greg Lynn Gile, Derby, Kan.  
B.B.A. (Wichita State University)  
*Field of Specialization:* Business  
Administration

Charles Rollin Gowen, III,  
Rochester, N. Y.  
B.S. (University of Rochester)  
*Field of Specialization:* Business  
Administration

David Alvin Haring, Columbus  
B.S. (Baldwin-Wallace College)  
*Field of Specialization:* Business  
Administration

John Anthony Hayek, Seven Hills  
B.S.Bus.Adm.  
*Field of Specialization:* Business  
Administration

Miles Martin Kreider, Columbus  
B.S. (Indiana University)  
*Field of Specialization:* Business  
Administration

Richard Allen Langley, Dayton  
B.S.Bus.Adm.  
*Field of Specialization:* Business  
Administration

Michael Fook-Chuen Mak,  
Kowloon, Hong Kong  
B.B.A. (University of Oregon) ;  
M.Acc.  
*Field of Specialization:* Business  
Administration

Joseph Michael Motil, Columbus  
B.S.Ed., B.S.Bus.Adm.  
*Field of Specialization:* Business  
Administration

Walter William Stasik, Mt. Vernon  
B.S. (Pennsylvania State University)  
*Field of Specialization:* Business  
Administration

Mark Christopher Sutterley,  
Columbus  
B.S.Bus.Adm.  
*Field of Specialization:* Business  
Administration

Robert Howard Zerbst, Columbus  
B.A. (Miami University) ; M.A.  
*Field of Specialization:* Business  
Administration

#### Master of City Planning

Twelve candidates

Homer Ray Baskin, II, Lancaster  
B.A.  
*Field of Specialization:* City and  
Regional Planning

Bruce Edward Burns, Columbus  
B.A.  
*Field of Specialization:* City and  
Regional Planning

Arnold Jeffery Clebone, Columbus  
B.A.  
*Field of Specialization:* City and  
Regional Planning

Charles Earl Crook, Jr., Columbus  
B.A. (Wittenberg University)  
*Field of Specialization:* City and  
Regional Planning

Henry D'Antonio, Wharton, N. J.  
B.A.Arch. (Ohio University) ;  
M.Arch.  
*Field of Specialization:* City and  
Regional Planning

James Gregory Gannon,  
Elizabeth, N. J.  
A.B. (Lafayette College)  
*Field of Specialization:* City and  
Regional Planning

Clyde Willis Gaston, Columbus  
B.A. (College of Wooster)  
*Field of Specialization:* City and  
Regional Planning

Michael Barnard Hobbs, Columbus  
B.S.Arch., M.A.  
*Field of Specialization:* City and  
Regional Planning

Timothy Lee Horn, Columbus  
B.A.  
*Field of Specialization:* City and  
Regional Planning

Lawrence Andrew Kuzila,  
Youngstown  
B.S. (Wheeling College) ; M.A.  
*Field of Specialization:* City and  
Regional Planning

Richard E. Rising, Springfield, Mass.  
B.A. (Baldwin-Wallace College)  
*Field of Specialization:* City and  
Regional Planning

Thomas James Schultz, Bay Village  
B.A. (Bowling Green State  
University)  
*Field of Specialization:* City and  
Regional Planning

#### Master of Fine Arts

Six candidates

Michael Anthony Brun, Columbus  
B.S.Ed.  
*Field of Specialization:* Fine Arts  
(Graphics)

Gary Scott McDade, Columbus  
B.A. (University of Washington)  
*Field of Specialization:* Theatre

John Richard Newton,  
Indianapolis, Ind.  
B.F.A. (Herron School of Art)  
*Field of Specialization:* Fine Arts  
(Painting)

Diane Di Giammarino Schwenker,  
Waynesboro, Pa.  
B.S.Ed. (Indiana University of  
Pennsylvania) ; M.A.  
*Field of Specialization:* Fine Arts  
(Graphics)

Robert Charles Tauber,  
East Orange, N. J.  
B.F.A. (Denison University)  
*Field of Specialization:* Fine Arts  
(Graphics)

Vernon Emerson Will, Columbus  
B.F.A.  
*Field of Specialization:* Fine Arts  
(Graphics)

#### Master of Music

Two candidates

David Walter Kimball, Columbus  
B.S.Ed.  
*Field of Specialization:* Music

Richard Adams Patton, Columbus  
B.S. (State University of New York,  
Potsdam)  
*Field of Specialization:* Music

#### Master of Science

Two hundred and twenty-seven candidates

Lowell William Adams,  
Mt. Crawford, Va.  
B.S. (Virginia Polytechnic Institute)  
*Field of Specialization:* Zoology

Ahmed Mohammad Al-Jumaily,  
South Bend, Ind.  
B.S. (University of Baghdad, Iraq)  
*Field of Specialization:* Mechanical  
Engineering

Carl Joseph Arbes, Conway, Pa.  
B.S. (Geneva College) ; B.S. in Met.E.,  
M.S. (University of Pittsburgh)  
*Field of Specialization:* Metallurgical  
Engineering

Clarence Arnold, Cleveland  
B.S. (Cleveland State University)  
*Field of Specialization:* Mathematics

Peter Wainin Au,  
Kowloon, Hong Kong  
B.S.E. (National Taiwan University)  
*Field of Specialization:* Civil  
Engineering

Mary Susan Averill, Columbus  
B.S.Ed.  
*Field of Specialization:* Natural  
Resources

Susan Boley Banks, Columbus  
B.S. (Florida State University)  
*Field of Specialization:* Nursing

Russell Eugene Barefoot,  
Osterburg, Pa.  
B.S. (Delaware Valley College of  
Science and Agriculture)  
*Field of Specialization:* Animal  
Science

Russell Kirby Barrick, Jr., Johnstown  
B.S.Agr.  
*Field of Specialization:* Agricultural  
Education

Betty Miller Bartlett, Columbus  
B.S. (Northwestern University)  
*Field of Specialization:* Home  
Economics

James George Beasley, Seaman  
B.S.C.E.  
*Field of Specialization:* Civil  
Engineering

Mitchell Wade Becker,  
Rutherford, N. J.  
B.S.C.E.

*Field of Specialization:* Civil  
Engineering

Daniel James Belton, Columbus  
B.S.Cer.E.  
*Field of Specialization:* Ceramic  
Engineering

William Dean Berger, Wooster  
B.S.Agr.  
*Field of Specialization:* Agricultural  
Education

Charles Gerald Bigler, Columbus  
B.S.Cer.E.  
*Field of Specialization:* Ceramic  
Engineering

Nancy Diane Bishop, Springfield  
B.S.Ed. (Bowling Green State  
University)  
*Field of Specialization:* Home  
Economics

Reed Richard Bittinger, Mansfield  
B.S.E.P.  
*Field of Specialization:* Computer and  
Information Science

Thomas Howard Booth,  
New Kensington, Pa.  
B.Cer.E.  
*Field of Specialization:* Ceramic  
Engineering

Gene William Borton, Wauseon  
B.S.Agr.  
*Field of Specialization:* Agricultural  
Economics and Rural Sociology

\*Gary Nelson Bovard, Utica  
*Field of Specialization:* Agricultural  
Economics and Rural Sociology

Diana Louise Brant,  
Kansas City, Kan.  
B.S.Ed. (Kansas State Teachers  
College)  
*Field of Specialization:* Mathematics

\*\*James Robert Brown, Mansfield  
*Field of Specialization:* Electrical  
Engineering

Jonnie Horst Budke, Columbus  
B.S. (Montana State University)  
*Field of Specialization:* Home  
Economics

Thomas Otto Buti, Bellaire  
B.S.  
*Field of Specialization:* Mathematics

Sandra Roberts Byers, Worthington  
B.S.Nurs. (Cornell University)  
*Field of Specialization:* Nursing

Stephen Eugene Caldwell, Columbus  
B.S.Phys.  
*Field of Specialization:* Physics

Richard Wayne Carter, Springfield  
B.S.Agr.  
*Field of Specialization:* Plant  
Pathology

Paul Ward Case, West Mansfield  
B.S.Agr.  
*Field of Specialization:* Agricultural  
Education

Sister Carol Lynne Cassini,  
Mariemont  
B.S.Nurs. (Mercy College of Detroit)  
*Field of Specialization:* Nursing

Tamara Buell Caudy, Columbus  
B.S.H.E.  
*Field of Specialization:* Home  
Economics

Alexander K. H. Chan, Hong Kong  
B.S. (University of Oregon)  
*Field of Specialization:* Computer and  
Information Science

Jimmy Siu-Leung Chan, Hong Kong  
B.S. (University of Illinois)  
*Field of Specialization:* Electrical  
Engineering

Karoon Chandrangsu,  
Bangkok, Thailand  
B.Eng. (Chulalongkorn University)  
*Field of Specialization:* Civil  
Engineering

Tu-An Cheng, Taipei, Taiwan  
B.S. (National Taiwan University)  
*Field of Specialization:* Computer and  
Information Science

Lien-In Amy Chin, Yung Ho, Taiwan  
B.L. (National Chengchi University)  
*Field of Specialization:* Agricultural  
Economics and Rural Sociology

William Eugene Coatsworth,  
Macungie, Pa.  
B.S.Ed. (California State College,  
Pennsylvania)  
*Field of Specialization:* Mathematics

Edward Ira Cohen, Randolph, Mass.  
B.S. (Rensselaer Polytechnic  
Institute)  
*Field of Specialization:* Computer and  
Information Science

Harvey Jerome Cohen,  
New Castle, Pa.  
S.B. (Massachusetts Institute of  
Technology)  
*Field of Specialization:* Metallurgical  
Engineering

Veronica Lee Conners, Houston, Tex.  
B.S. (Texas Womans University)  
*Field of Specialization:* Nursing

James Daniel Cooper, Bucyrus  
B.S.Agr.  
*Field of Specialization:* Agricultural  
Education

Richard Ward Cumming, Wapakoneta  
B.S.  
*Field of Specialization:* Mathematics

Valentine Dahlem, III, Dayton  
B.S. in Aero.E. (Saint Louis  
University)  
*Field of Specialization:* Aeronautical  
and Astronautical Engineering

Richard Shoots Davidson, II,  
Columbus  
B.S.E.E. (Ohio University)  
*Field of Specialization:* Electrical  
Engineering

Mark Edward Davis, Dayton  
B.S.E.E., M.S.E.E. (Syracuse  
University)  
*Field of Specialization:* Physics

Paul Reuben Day,  
American Fork, Utah  
B.S. (Brigham Young University)  
*Field of Specialization:* Computer and  
Information Science

Donna Berner Deane, Springfield  
B.S.Nurs.  
*Field of Specialization:* Nursing

Om Parkash Dhiman, Punjab, India  
B.S., B.S.E. (Panjab University)  
*Field of Specialization:* Aeronautical  
and Astronautical Engineering

David Edward Dougherty, Canton  
B.A. (Denison University)  
*Field of Specialization:* Plant  
Pathology

Sister Mary Anne Doyle,  
Brighton, Mass.  
A.B. (Regis College)  
*Field of Specialization:* Physics

\* Also Bachelor of Science in Agriculture,  
College of Agriculture and Home Economics  
\*\* Also Bachelor of Electrical Engineering,  
College of Engineering

- Francisco Ong Du,  
Dumaguete City, Philippines  
B.S.M.E. (Silliman University);  
M.S. (University of Hawaii)  
*Field of Specialization: Metallurgical  
Engineering*
- Roberto Jose Duarte,  
Managua, Nicaragua  
B.S.C.E. (Ohio Northern University)  
*Field of Specialization: Civil  
Engineering*
- Richard Edward Duhkopf,  
Worthington  
B.S.  
*Field of Specialization: Genetics*
- Douglas Reber Dunkel, Circleville  
B.A.  
*Field of Specialization: Agricultural  
Economics and Rural Sociology*
- Helen Marie Dylag, Parma  
B.S.Nurs. (Saint John College of  
Cleveland)  
*Field of Specialization: Nursing*
- Cheryl Reppart Evans, New Carlisle  
B.S.H.E.  
*Field of Specialization: Home  
Economics*
- John Gerald Evans, Alliance  
B.S. (Kent State University)  
*Field of Specialization: Zoology*
- \*George Fayer, IV, Elyria  
*Field of Specialization: Welding  
Engineering*
- Sandra Elizabeth Fisher,  
Brooklyn, N. Y.  
B.S.Nurs. (Case Western Reserve  
University)  
*Field of Specialization: Nursing*
- Duncan Foley, Appleton, Wis.  
B.A. (Antioch College)  
*Field of Specialization: Geology*
- David James Ford, Columbus  
S.E. (Massachusetts Institute of  
Technology)  
*Field of Specialization: Mathematics*
- William Randolph Forrest,  
San Antonio, Tex.  
B.A. (Hardin-Simmons University);  
D.D.S. (Baylor University)  
*Field of Specialization: Dentistry*
- Philip Robert Fox, Dumont, N. J.  
B.S. (Marietta College)  
*Field of Specialization: Entomology*
- James Russell Freed, East Palestine  
B.S.Agr.  
*Field of Specialization: Agricultural  
Education*
- Suzann Carol Frey, Chicago, Ill.  
B.A. (Ohio Wesleyan University)  
*Field of Specialization: Agricultural  
Economics and Rural Sociology*
- Leonard Dean Frost, Lovington, Ill.  
B.S. (Eastern Illinois University)  
*Field of Specialization: Physics*
- Somporn Fuangchan,  
Washington, D. C.  
B.S.S. (Mahidol University,  
Thailand); M.P.A. (National  
Institute of Development  
Administration, Thailand)  
*Field of Specialization: Preventive  
Medicine*
- Kristine Marie Gable,  
Newton Center, Mass.  
B.S.  
*Field of Specialization: Geology*
- Peggy Lee Gawiser, Richmond Heights  
B.S.Ed. (Ohio University)  
*Field of Specialization: Home  
Economics*
- Alan Eugene George, Columbus  
B.S.Agr., D.V.M.  
*Field of Specialization: Veterinary  
Preventive Medicine*
- Gretchen M. Glasgow, Apple Creek  
B.S.Nurs. (Capital University)  
*Field of Specialization: Nursing*
- Vivian Lorraine Bougher Good,  
Columbus  
B.S.Nurs.  
*Field of Specialization: Nursing*
- Linda Abell Graham,  
Windsor, Ont., Canada  
B.Sc.N. (University of Toronto)  
*Field of Specialization: Nursing*
- David Mark Greene, Wellington  
B.S.Agr.  
*Field of Specialization: Animal  
Science*
- Richard Alan Grove, Shelby  
B.S.Agr.  
*Field of Specialization: Agricultural  
Education*
- Edward Gudan, Lorain  
B.E.E.  
*Field of Specialization: Electrical  
Engineering*
- Judith Ann Haase, Columbus  
B.S. (Indiana State University)  
*Field of Specialization: Nursing*
- Gary Lee Hahn, Circleville  
B.S.Ch.E. (University of Cincinnati)  
*Field of Specialization: Chemical  
Engineering*
- Lavonne Huther Hall, Columbus  
B.S.Nurs.  
*Field of Specialization: Nursing*
- John Pershing Hamill, Albany  
B.S.Agr.  
*Field of Specialization: Agricultural  
Education*
- Ester Delores Harber, Columbus  
B.S. (Hampton Institute)  
*Field of Specialization: Home  
Economics*
- \*\*Eugene Carson Harlan, Lyndon  
*Field of Specialization: Agricultural  
Education*
- \*\*\*David James Harshman, Columbus  
*Field of Specialization: Industrial  
Engineering*
- Susan Dorothy Haseltine,  
Pittsfield, Me.  
B.S. (University of Maine)  
*Field of Specialization: Zoology*
- Jeanne Cook Hay, Columbus  
B.A. (State University of New York,  
Buffalo)  
*Field of Specialization: Preventive  
Medicine*
- Larry Ross Hayes, Columbus  
B.S.  
*Field of Specialization: Geology*
- James LeRoy Herzog, St. Marys, Pa.  
B.S. in Edu. (Edinboro State College)  
*Field of Specialization: Mathematics*
- Edward G. Hetrick, Reading, Pa.  
B.S. in Edu. (Kutztown State College)  
*Field of Specialization: Mathematics*
- Morris Lamar Hicks, Fredericktown  
D.D.S.  
*Field of Specialization: Dentistry*
- David Eugene Horstman,  
Worthington  
B.I.E.  
*Field of Specialization: Industrial  
Engineering*
- Ronald Leonard Horstman, Ottawa  
B.S.Agr.  
*Field of Specialization: Agricultural  
Education*
- David Joe Houser, Casstown  
B.A. (DePauw University)  
*Field of Specialization: Chemistry*

\* Also Bachelor of Welding Engineering,  
College of Engineering

\*\* Also Bachelor of Science in Agriculture,  
College of Agriculture and Home Economics

\*\*\* Also Bachelor of Industrial Engineering,  
College of Engineering



- Mary Chen Huang, Canton  
B.A. (Case Western Reserve  
University)  
*Field of Specialization: Zoology*
- Philip Edward Hulse, Caledonia  
B.S.Agr.  
*Field of Specialization: Agricultural  
Education*
- Judy Yee Hwa, Taipei, Taiwan  
B.S. (National Tsing Hua University)  
*Field of Specialization: Biophysics*
- Tommy David Johnson, Madison, Wis.  
B.S. (University of Wisconsin,  
Madison)  
*Field of Specialization: Chemistry*
- \*Mary Carol Joyce, Baden, Pa.  
*Field of Specialization: Dairy Science*
- William Lee Judy, Columbus  
B.S.C.E. (West Virginia University)  
*Field of Specialization: Civil  
Engineering*
- Gene Allen Jumper, Delaware  
B.S.Agr.  
*Field of Specialization: Plant  
Pathology*
- James Earl Kahl, Monongahela, Pa.  
B.S.Ed. (California State College,  
Pennsylvania)  
*Field of Specialization: Mathematics*
- Chellappah Kanagalingam,  
Chauaka, North Ceylon  
B.S. (International Institute of  
Aerial Surface Earth Science,  
Netherlands)  
*Field of Specialization: Geodetic  
Science*
- Clyde Elden Keathley, Worthington  
B.S.Agr.  
*Field of Specialization: Agricultural  
Education*
- Joan Fernande Kerley, Shelby  
B.S. (Marquette University)  
*Field of Specialization: Statistics*
- Yew-Ky Kim, Seoul, Korea  
B.S., M.S. (Seoul National  
University)  
*Field of Specialization: Mathematics*
- Edward Keith King, Columbus  
B.S.Ch.E.  
*Field of Specialization: Chemical  
Engineering*
- Mynor King, Columbus  
B.S. (Taiwan Christian College,  
Taiwan); M.S.  
*Field of Specialization: Industrial  
Engineering*
- Charles Theodore Kitzmiller,  
Columbus  
B.S.A.A.E.  
*Field of Specialization: Aeronautical  
and Astronautical Engineering*
- Keiji Kiryu, Tokyo, Japan  
D.V.M. (Tokyo University of  
Agriculture and Technology)  
*Field of Specialization: Veterinary  
Pathobiology*
- Roy William Koch, Bellevue  
B.S.C.E.  
*Field of Specialization: Civil  
Engineering*
- Kenneth Jerome Koebel, Columbus  
B.S.  
*Field of Specialization: Mathematics*
- Allan Ray Kostreba, Euclid  
B.I.E.  
*Field of Specialization: Industrial  
Engineering*
- John Wallace Krauss, Jr.,  
Center Moriches, N. Y.  
B.S.Agr.  
*Field of Specialization: Horticulture*
- Panchit Kreungkamhang,  
Tak, Thailand  
B.E. (Chulalongkorn University)  
*Field of Specialization: Nursing*
- Wei Sheng Elizabeth Kung,  
Taipei, Taiwan  
B.S. (National Taiwan University)  
*Field of Specialization: Microbiology*
- Linda Lorraine Lacy,  
Fayetteville, N. C.  
B.S. (Texas Woman's University)  
*Field of Specialization: Nursing*
- Thomas Eugene Laska, Erie, Pa.  
B.A. (Saint Vincent College)  
*Field of Specialization: Mathematics*
- Otto Laster, Columbus  
B.E.E.  
*Field of Specialization: Electrical  
Engineering*
- Jacob Wilbur Lehman, Reynoldsburg  
B.S.Agr.  
*Field of Specialization: Zoology*
- Jerome A. Lemire, Pierpont  
B.S.  
*Field of Specialization: Geology*
- Sister M. Scholastica Lemmer,  
Aberdeen, S. D.  
B.S.M.T. (Creighton University)  
*Field of Specialization: Allied  
Medicine*
- Andrew Joseph Lingler, Cleveland  
A.B. (Ohio University)  
*Field of Specialization: Mathematics*
- Larry Alan Litteral,  
Princeton, W. Va.  
B.S.E.E. (Virginia Polytechnic  
Institute)  
*Field of Specialization: Electrical  
Engineering*
- John Sic-Yiu Liu, Cincinnati  
B.S. (Xavier University)  
*Field of Specialization: Physics*
- Larry Allan Londot, Mansfield  
B.S.C.E.  
*Field of Specialization: Civil  
Engineering*
- Susan Elizabeth Lott, Columbus  
B.S.Ed. (Indiana University of  
Pennsylvania)  
*Field of Specialization: Home  
Economics*
- Carlos Nicolas Lukac, Lima, Peru  
B.S. (Lowell Technological Institute)  
*Field of Specialization: Metallurgical  
Engineering*
- Thomas Alan Lyon, Ravenna  
B.S.C.E.  
*Field of Specialization: Civil  
Engineering*
- Thomas Lee Madden, Dayton  
B.S.E.E. (Ohio University)  
*Field of Specialization: Electrical  
Engineering*
- Alva Charles Madsen, Jr.,  
Houston, Tex.  
B.S., M.S. (University of Texas)  
*Field of Specialization: Metallurgical  
Engineering*
- Benjamin Gaylord Maiden, Columbus  
B.S.Agr.  
*Field of Specialization: Natural  
Resources*
- Patricia Elaine McDonald, Columbus  
B.S.Nurs.  
*Field of Specialization: Nursing*
- \*\*Kevin Charles McDonough, Elyria  
*Field of Specialization: Electrical  
Engineering*
- Ronald Lee McGuire, Vandalia  
B.S.Agr.  
*Field of Specialization: Agricultural  
Education*
- \* Also Bachelor of Science in Agriculture,  
College of Agriculture and Home Economics  
\*\* Also Bachelor of Electrical Engineering,  
College of Engineering

- Sergio Meriani, Trieste, Italy  
Laurea, (Universita Digli Studi de Trieste)  
*Field of Specialization* : Ceramic Engineering
- Joan Ellen Meyer, Reynoldsburg  
B.S. (University of Illinois)  
*Field of Specialization* : Computer and Information Science
- Carol Musselman Michael, Brookville  
B.S.H.E.  
*Field of Specialization* : Home Economics
- Gregory Allen Mihailoff, Mansfield  
B.S. (Ashland College)  
*Field of Specialization* : Anatomy
- James F. Mikus, Lapeer, Mich.  
B.S. (Central Michigan University)  
*Field of Specialization* : Mathematics
- John Ray Miller, Columbus  
B.S.Agr.  
*Field of Specialization* : Food Science and Nutrition
- Robert Edward Miller, Bayside, Calif.  
B.S.M.E. (Washington State University)  
*Field of Specialization* : Industrial Engineering
- Thomas Milligan, Jr., Columbus  
B.C.E.  
*Field of Specialization* : Civil Engineering
- Woon Lim Min, Seoul, Korea  
B.S. (Ewha Womans University)  
*Field of Specialization* : Home Economics
- Sun-De Sandra Mo, Taipei, Taiwan  
B.S. (National Taiwan University)  
*Field of Specialization* : Horticulture
- Jeanne Rae Moran, Mt. Olivet, Ky.  
B.S. in H.E. (Berea College)  
*Field of Specialization* : Home Economics
- James Allen Morris, King George, Va.  
B.E.E.  
*Field of Specialization* : Electrical Engineering
- Arnold Theodore Mosberg, Columbus  
B.A.A.E.  
*Field of Specialization* : Aeronautical and Astronautical Engineering
- Larry Sheldon Moyer, Bellevue  
B.S.Ch.E. (Ohio University)  
*Field of Specialization* : Chemical Engineering
- Mary Carol Stephens Munzinger, Columbus  
B.S.Nurs.  
*Field of Specialization* : Nursing
- Jaek Lee Musgrave, Columbus  
B.S.  
*Field of Specialization* : Botany
- Richard William Nelson, London  
B.W.E.  
*Field of Specialization* : Welding Engineering
- Sandra Erickson Oehrtman, Columbus  
B.S.Nurs. (Capital University)  
*Field of Specialization* : Nursing
- Emery Stephen Okos, Sylvania  
B.S.Food Tech.  
*Field of Specialization* : Food Science and Nutrition
- Petrus P. V. E. Olivier, Menlo Park, Pretoria, South Africa  
B.Sc.Eng.M., B.Sc.Eng.M.H. (University of Pretoria)  
*Field of Specialization* : Mechanical Engineering
- Mary Elizabeth Overbaugh, Saugerites, N. Y.  
B.S. (Ithaca College)  
*Field of Specialization* : Allied Medicine
- James Michael Palermo, South Euclid  
A.B. (Albion College) ; D.D.S.  
*Field of Specialization* : Dentistry
- Richard Earl Parent, Dayton  
B.S. (University of Dayton)  
*Field of Specialization* : Computer and Information Science
- John William Paul, Cincinnati  
B.S. (Rochester Institute of Technology) ; D.V.M.  
*Field of Specialization* : Veterinary Physiology and Pharmacology
- Ruth Evans Pearson, Parkersburg, W. Va.  
B.S. (Alderson Broaddus College)  
*Field of Specialization* : Nursing
- Lance Harry Penhale, Piscataway, N. J.  
B.S.Agr.  
*Field of Specialization* : Animal Science
- Larry Wayne Pennell, Dayton  
B.S. (University of Illinois)  
*Field of Specialization* : Aeronautical and Astronautical Engineering
- Marilyn Leet Penrod, Columbus  
B.S.H.E.  
*Field of Specialization* : Home Economics
- John Edward Peters, Columbus  
B.A. (Otterbein College)  
*Field of Specialization* : Microbiology
- Margaret Anne Phin, Chicago, Ill.  
B.S.H.E. (University of Manitoba, Canada)  
*Field of Specialization* : Allied Medicine
- Charles Edward Plikerd, Elida  
B.S.  
*Field of Specialization* : Agricultural Education
- †Sushil Kumar Prasad, New Delhi, India  
B.Sc. (Haryana Agricultural University)  
*Field of Specialization* : Genetics
- Kunwar Krishan Rampal, Kanpur, India  
B.Sc.,M.Sc. (Delhi University)  
*Field of Specialization* : Geodetic Science
- Phillip Terry Ray, Owensboro, Ky.  
B.S. (Western Kentucky University)  
*Field of Specialization* : Geology
- Martha Rickey Recchie, Columbus  
B.S. (H.E.) (College of Saint Mary of the Springs)  
*Field of Specialization* : Home Economics
- Joyce Lee Reed, Columbus  
B.S.Nurs. (Capital University)  
*Field of Specialization* : Nursing
- Toni Tripp Reimer, Columbus  
B.S.Nurs. (University of Maryland)  
*Field of Specialization* : Nursing
- William Joseph Repasky, Youngstown  
B.E. (Youngstown State University)  
*Field of Specialization* : Civil Engineering
- Sue Ann Scheffer Retter, Dayton  
B.S.Nurs. (College of Mount Saint Joseph on the Ohio)  
*Field of Specialization* : Nursing

† Degree awarded posthumously.  
Died July 5, 1973

\*Jeffrey Michael Reutter, Willoughby  
*Field of Specialization: Natural Resources*

Walter Henry Rice, Jr.,  
Saginaw, Mich.  
B.A. (Morehouse College)  
*Field of Specialization: Allied Medicine*

Gary Thomas Ringler, Columbus  
B.A.  
*Field of Specialization: Allied Medicine*

Gayle Richard Rink, Columbus  
B.S.Nurs. (Capital University)  
*Field of Specialization: Preventive Medicine*

Jerome Edward Roers,  
Mt. Clemens, Mich.  
B.S. (Morehead State College)  
*Field of Specialization: Mathematics*

Guillermo Justo Rojas, Columbus  
B.S.Bus. Adm.  
*Field of Specialization: Agricultural Economics and Rural Sociology*

Dennis Eugene Royer, Massillon  
B.S.C.E.  
*Field of Specialization: Civil Engineering*

Susan Jane Rudge, Youngstown  
B.S. (Miami University)  
*Field of Specialization: Home Economics*

Judith M. Inglis Scheiderer,  
Columbus  
B.A.  
*Field of Specialization: Home Economics*

Craig A. Schimming, Clyde  
B.S. in Ed. (Bowling Green State University)  
*Field of Specialization: Mathematics*

Deane Edward Schubert,  
Portsmouth, Va.  
B.S. (University of Florida)  
*Field of Specialization: Allied Medicine*

Peter Vincent Scoles, Columbus  
B.S. (Pennsylvania State University); M.D. (Jefferson Medical College of Philadelphia)  
*Field of Specialization: Surgery*

Bobby Jay Setzer, Knoxville, Ia.  
B.S. (Southeastern State College)  
*Field of Specialization: Allied Medicine*

U. A. Garred Sexton, Texarkana, Ark.  
M.D. (University of Arkansas)  
*Field of Specialization: Preventive Medicine*

Ronald James Seymour,  
Buffalo, N. Y.  
B.S. (State University of New York, Buffalo)  
*Field of Specialization: Allied Medicine*

\*\*David Allen Shafer, Columbus  
*Field of Specialization: Electrical Engineering*

Larry Stephen Shaffer, Columbus  
B.S. (University of Michigan)  
*Field of Specialization: Computer and Information Science*

Surekh Chinubhai Shah,  
Ahmedabad, India  
B.E. (Gujarat University)  
*Field of Specialization: Electrical Engineering*

Daryl Dee Shank, Columbus  
B.S.  
*Field of Specialization: Microbiology*

Arthur Lincoln Shapiro,  
Springfield, Pa.  
B.S. (University of Delaware)  
*Field of Specialization: Computer and Information Science*

Bert Taylor Showman, Liberty Center  
B.S.Agr.  
*Field of Specialization: Agricultural Education*

Donna Soppelsa Simmons, Columbus  
B.S.Nurs.  
*Field of Specialization: Nursing*

William Randolph Simpson,  
Wading River, N. Y.  
B.S. (Virginia Polytechnic Institute)  
*Field of Specialization: Aeronautical and Astronautical Engineering*

Kenneth Robert Sirinek, Columbus  
B.A. (Saint Marys College, Minnesota); M.D. (Marquette University)  
*Field of Specialization: Physiology*

David Michael Sliva, Cadiz  
B.Ch.E.  
*Field of Specialization: Chemical Engineering*

Theodore MacDonald Smith,  
Columbus  
B.S. (Rose Polytechnic Institute); M.S.  
*Field of Specialization: Statistics*

William James Smith, Akron  
B.S.E.P.  
*Field of Specialization: Nuclear Engineering*

Melinda Gay Spiker, Weston, W. Va.  
B.S.H.E. (West Virginia University)  
*Field of Specialization: Home Economics*

William Joseph Steeley, Kettering  
B.S.E.E.  
*Field of Specialization: Electrical Engineering*

Herbert Frederick Steinbeck,  
Wilmington, Ill.  
M.D. (Saint Louis University School of Medicine)  
*Field of Specialization: Preventive Medicine*

Robert Neville Stocking,  
St. Petersburg, Fla.  
B.A. (University of South Florida)  
*Field of Specialization: Computer and Information Science*

Allan Wesley Strong, Euclid  
B.Ch.E.  
*Field of Specialization: Chemical Engineering*

Joseph Anthony Sugrue, Chicago, Ill.  
B.S. (De Paul University)  
*Field of Specialization: Mathematics*

Kristine Lynne Supik, Brecksville  
B.S.  
*Field of Specialization: Genetics*

Sutrisno Budiman Tirtawidjaja,  
Bogor, Indonesia  
Sardjana Ir (Institut Teknologi Bandung, Indonesia)  
*Field of Specialization: Chemical Engineering*

David Charles Uhrin, Pittsburgh, Pa.  
B.A. (University of Notre Dame)  
*Field of Specialization: Geology*

Linda Kay VanDemark, Worthington  
B.S.  
*Field of Specialization: Home Economics*

Dorothy Willis Vivians, Wilberforce  
B.S.Nurs. (Tuskegee Institute)  
*Field of Specialization: Nursing*

\* Also Bachelor of Science in Agriculture.  
\* \* \* College of Agriculture and Home Economics  
\*\* Also Bachelor of Electrical Engineering,  
College of Engineering

Rachel Dianne Warren,  
Reidsville, N. C.  
B.S. (Appalachian State University)  
*Field of Specialization: Home  
Economics*

Donald Leslie Weaver, Groveport  
B.S.Ch.E.  
*Field of Specialization: Chemical  
Engineering*

Arthur Raymond Weinle, Cleveland  
B.S.Ed.  
*Field of Specialization: Geology*

Alfred Reinhold Weiss,  
Edmonton, Alta., Canada  
B.S. (University of Alberta)  
*Field of Specialization: Mathematics*

Nadine Diane Weltner, Dayton  
B.S.H.E. (University of Dayton)  
*Field of Specialization: Home  
Economics*

Robert John Wilhelm, Columbus  
B.S. (Xavier University)  
*Field of Specialization: Computer and  
Information Science*

James Wallace Wilkes, Pittsburgh, Pa.  
B.S. in Ed. (Ashland College)  
*Field of Specialization: Zoology*

Donald James Witt, Oak Lawn, Ill.  
B.S. (Loyola University)  
*Field of Specialization: Entomology*

Kathleen Hixon Wolff, Ravenna  
B.S. (Kent State University)  
*Field of Specialization: Nursing*

Bruce Richard Wood,  
Costa Mesa, Calif.  
B.S. (Harvey Mudd College)  
*Field of Specialization: Computer and  
Information Science*

Margaret Rene Wrensch, Columbus  
B.S.  
*Field of Specialization: Genetics*

Gordon Albert Wuethrich, Olean, N.Y.  
B.S. (Michigan State University)  
*Field of Specialization: Animal  
Science*

John Harry Yates, Absecon, N. J.  
B.S. (Case Western Reserve  
University)  
*Field of Specialization: Chemistry*

Gary Joe Yost, Fredericktown  
B.S.Ed.  
*Field of Specialization: Zoology*

Donn Curtis Young, Columbus  
B.S.  
*Field of Specialization: Botany*

Anthony Zerges, Cincinnati  
B.S.  
*Field of Specialization: Computer and  
Information Science*

\*Carl Robert Zulauf, Nevada  
*Field of Specialization: Agricultural  
Economics and Rural Sociology*

Elizabeth Ziegler Zweizig,  
Worthington  
B.S.Nurs. (Cornell University)  
*Field of Specialization: Nursing*

#### **Master of Social Work**

One candidate

Susan Carol Cooper, Dayton  
B.S.Soc.Wel.  
*Field of Specialization: Social Work*

\* Also Bachelor of Science in Agriculture,  
College of Agriculture and Home Economics

## Colleges of the Arts and Sciences

Chairman, Coordinating Council of Deans: Arthur E. Adams  
Vice Provost for the Arts and Sciences: Robert G. Arns

The Colleges of the Arts and Sciences, a federation of five colleges, includes:

### College of The Arts

Dean: Lee Rigsby

### College of Biological Sciences

Dean: Richard Bohning

### College of Humanities

Dean: Arthur E. Adams

### College of Mathematics and Physical Science

Dean: Colin B. B. Bull

### College of Social and Behavioral Sciences

Dean: Franklin P. Kilpatrick

## College of The Arts

Dean: Lee Rigsby

### Bachelor of Arts

Six candidates

Dennis Lee McCord, Galion  
Karen Louise Nielsen, Columbus  
Maryann Theresa O'Dell,  
Garden City, N. Y.  
Ponzianna Newell Reed, Columbus  
Marc Steven Shaw, Northbrook, Ill.  
Marilyn Beth Wise, Columbus

### Bachelor of Fine Arts

Thirty-seven candidates

Richard Jerome Amann, Kettering  
Robert Lee Bainter, Columbus  
Vinciene Sanford Bartley, Columbus  
Nancy Jane Bersin,  
Rockville Centre, N. Y.  
Randolph Stephen Blackburn,  
Columbus  
Nancy Susan Bolon, Columbus  
William Louis Brewer, Springfield  
Judy Ann Dillon, Columbus  
Russell Earl Douglass, Delaware  
Elizabeth Anne Farley, Columbus  
Patricia Mary Fedo, Granville  
Susan Kimberly Friend, Akron

John Guy Geddes, Grove City  
Lawrence Jason Hamill, Columbus  
Janice Cooper Hartstein, Columbus  
Jo Anne Hewlett, Columbus  
Carol Jean Horst, Wooster  
Ernest Leon Jackson, Columbus  
Linda Joyce Johanson, North Canton  
Ann Kegelmayer, Columbus  
Deborah Eckel King, Sylvania  
Kathy Wanda Klich, Chicago, Ill.  
Carol Jean Mayer, Columbus  
Victoria Lynn Mayhew, Worthington  
Wendy Schmeer McDade,  
Seattle, Wash.  
Lance Adrian Monjé, Newark, N. Y.  
Lynn Carol Palumbo, Sharon, Pa.  
\*Frederick Ion Reed, Columbus  
Douglas Paul Short, Columbus  
Stephen Farrell Tipton,  
San Diego, Calif.  
Randall Jay Turner, Columbus  
Andrew Todd Vadas, Columbus  
Beverly Ann Waferling, Cincinnati  
Sidney Lindley Waters, Mt. Vernon  
Myron Merle Weber, Rittman  
Christiane Charlotte Wendel,  
Lake Oswego, Ore.  
Bonnie Lou Zawodni, Toledo

### Bachelor of Music

Three candidates

\*\*David William Donovan, Lebanon  
Steven Patrick Monroe, Chillicothe  
\*\*\*Walter Watkins Nielsen, Columbus  
B.S.; J.D. (George Washington  
University)

**Bachelor of Art Education and  
Bachelor of Music Education  
degree are offered jointly by the  
College of The Arts and the  
College of Education  
Candidates are listed on page 41**

### Bachelor of Science in Industrial Design

Three candidates

Robert Frederick Mitchell, Columbus  
Louise Ellen Rothenberg,  
New Milford, N. J.  
Matthew Gillary Ungar, Columbus

## College of Biological Sciences

Dean: Richard Bohning

### Bachelor of Arts

Eleven candidates

Thomas Harry Boreman, Ashland  
William Michael Bridges, Columbus  
Lawrence Mark Hart, Findlay  
Douglas Eugene Hill, Columbus  
Charles Richard Hounshell, Dayton  
Diane Elizabeth Juillard, Columbus  
Charles Leroy Little, Logan  
James Michael McNamara,  
Parma Heights  
John Gerald Murphy, Columbus  
Howard Lane Tetelman, Columbus  
Philip Alden Weiser, Columbus

### Bachelor of Science

Thirty-one candidates

Carole Jane Acomb, Loveland  
Joseph Howard Adams, Fairborn  
Robert Dennis Aiello, Louisville  
Linda Ruth Albright, Columbus  
Carl Dinger, Jr., Mansfield  
Elizabeth Ann Duym,  
Little Silver, N. J.  
Donald Robert Eadie, Lockport, N. Y.  
Donald Craig Emmerling, Columbus  
Timothy Lee Gardner, Zoar  
Debra Louise Halberg, Columbus  
Ronald David Heller, Columbus  
Randall Albert Horner, Columbus  
Lawrence Fredrick Koppelman,  
Cleveland Heights  
Diann Leslie Kurz, Columbus  
Douglas Roy Marsden, Columbus  
Patricia Stevenson Paine, Columbus  
Albert James Peko, Columbus  
Daniel Joe Pottenger, Fairfield  
Margaret Eleanor Rice, Columbus  
Randel Gregory Riley, Cleveland  
Mark Steven Sams, Parma  
Vickie Lee Stout, Columbus  
Henry Charles Summerson, Columbus  
Harry John Timmerman,  
St. Clairsville

\* Also Bachelor of Art Education, College of Education

\*\* Also Bachelor of Music Education, College of Education

\*\*\* Also Bachelor of Arts, Colleges of the Arts and Sciences

Mary Lou Vukovich, Galena  
Michael Francis Walker, Salem  
Steven Randolph Welton, Portsmouth  
Janet Kay Williamson, Doshier  
Bruce Lee Yeager, Waverly  
Roderic Jay Yost, Newark  
John William Zech, Marysville

## College of Humanities

Dean: Arthur E. Adams

### Bachelor of Arts

Seventy-four candidates

David Bruce Adelstein,  
Cleveland Heights  
Chris Marie Allen, Montpelier  
Joyce Spray Anderson, Columbus  
Terry Lynn Bartley, Zanesfield  
Alexander Peter Bezruczko, Fayette  
Emily Patricia Bolla, Springfield  
David John Bontempo, Rocky River  
Ronald William Brann, Eastlake  
Douglas Hughes Bretz, Columbus  
\*John Michael Burger, Columbus  
Michael John Burns, Columbus  
Priscilla Lynn Chamberlain,  
Bay Village  
Joseph Rabindranath Chianese,  
Youngstown  
Joseph William Cody, Columbus  
Patricia Anne Collins, Columbus  
Steve Alan Craig, Gahanna  
Myron Stuart Daniels, Columbus  
Jeffrey Lewis Dorfman, Teaneck, N.J.  
\*Kathleen Irene Evan, Mansfield  
Roy Andrew Evans, Canal Winchester  
Richard Felix Ey, Columbus  
Kathleen Ann Garrison Fletcher,  
Columbus  
Minda Susan Frahm, Baltimore, Md.  
Barbara Jane George, Columbus  
Debra Joan Green, Columbus  
James Wallace Green, Columbus  
Philip Louis Guttridge, Columbus  
Stanley Raymond Haeger, Lorain  
Thomas Michael Hamilton, Fairborn  
\*David Henry Harmon, Mansfield  
Charles Alfred Wayne Hennebert,  
New Albany  
Paula Christine Horvath,  
North Olmsted  
Steven Marc Kahn, Shaker Heights  
Leslie Barbara Kane, Dayton  
Jackie Lee Keith, Columbus

Sharon Elizabeth Kendall, Columbus  
Donald Gary Keyser, Portsmouth  
Samuel Allan Kirk, Fairborn  
Ronald Steven Koch, Cleveland  
Rosemary Kolentus, Columbus  
William Boone Kunkle, Akron  
Rees Williams Lattimer, Columbus  
Joan Eileen Leary, Cincinnati  
William Charles Lebach, Fairborn  
Katherine Diane Manus, Hilliard  
Susan Elaine McNally,  
Floral Park, N. Y.  
Karen Anne Mueller, Columbus  
Carol Sue Nack, Columbus  
Sirinun Nalampoon,  
Bangkok, Thailand  
John Gregory Neal, Columbus  
\*\*Walter Watkins Nielsen, Columbus  
B.S.; J.D. (George Washington  
University)  
William Stanley Pepple, Jr., Bryan  
Tony Martin Pivowar, Brecksville  
Annette Bailey Price, Columbus  
John Elliott Rannenber, Columbus  
Joseph Bradin Roberts, Chagrin Falls  
Tod Bright Roshon, Baltimore  
Richard Stephen Roush, Columbus  
Robert Jay Schneck, Columbus  
Regina Lamm Silbert, Columbus  
Rosemary Stefanka, Findlay  
Dirck Wessel TenBroeck, Columbus  
Delmar Michael Thomas, Columbus  
Richard C. Ulen, Columbus  
Vernon Elliott Wallace, Columbus  
Ernest Angel Wallerstein, Toledo  
\*Barbara Lynn Walovich, Mansfield  
Judith Ann Walter, Columbus  
Beth Ellen Warman, Cincinnati  
Craig Frederick Warner, Columbus  
Margaret Mary Wenzke, Dayton  
Franz Karol Werling, Columbus  
William Porter Witney, Columbus  
Sandra Wutzler Zollett, Columbus

## College of Mathematics and Physical Sciences

Dean: Colin B. B. Bull

### Bachelor of Arts

Four candidates

Timothy Carl Lampson, Columbus  
Paul Robert Ongert, Columbus  
Mary Beth Zak, Brooklyn  
David Scott Ziegler, York, Pa.

### Bachelor of Science

Twenty-nine candidates

Daniel Robert Blazer, Columbus  
B.S.C.I.S.  
David Allen Bowdle, Chillicothe  
Harry Francis Boyle, Jr., Columbus  
David Harry Brock, Shaker Heights  
Gary Richard Cappallo, Columbus  
Peter John Cardullias, Euclid  
Donald Edward Galla, Youngstown  
Daniel Lawrence Harper, Columbus  
Robert Paul Hartshorne, Akron  
Bruce Hieronymus, South Charleston  
Patricia Elba Johnson, Port Clinton  
Janis Connin Jones, Columbus  
Dennis Lawrence Lambright,  
Columbus  
Rodney Louis McCormick, Middletown  
Jane Cecilia McGibbon, Columbus  
Gayle Elizabeth Monks, Delaware  
Donald Earl Mussard, Columbus  
Chris Edward Neville, Keyser, W.Va.  
Ann Marie Olson, Westerville  
Patrick Michael Perini, Columbus  
David Joseph Petiya, Warren  
Jeff L. Reese, Pataskala  
Christopher Ervin Reid, Columbus  
Larry Allen Rogers, Columbus  
Gary Dennis Seipel, Columbus  
Mark Stephen Smith, Lima  
Wayne Charles Summers, Columbus  
Ray Everett Weber, Forest  
Allan Bruce Young, Mansfield

## College of Social and Behavioral Sciences

Dean: Franklin P. Kilpatrick

### Bachelor of Arts

One hundred and forty-six candidates

Bruce Johnson Acer, North Canton  
Linda Diane Alexander, Woodsfield  
Cert. Grad. Dent. Hyg.  
Richard James Amborski, Toledo  
Martha Jane Armstrong, Columbus  
Jonathan Irwin Arons, Cincinnati  
Eugene Frederick Arthur, Jr.,  
Columbus

\* Also Bachelor of Science in Education,  
College of Education  
\*\* Also Bachelor of Music, Colleges of the Arts  
and Sciences

Jane Elizabeth Ashton, Cincinnati  
 Larry Joseph Baisden, Columbus  
 Priscilla Anne Baker, Syracuse, N. Y.  
 Paul Richard Bates, Warren  
 Robin Sue Becker, Columbus  
 Donald Lee Beech, Painesville  
 John Edwin Beimly, Columbus  
 Victoria Lynn Belfiglio, North Canton  
 Janet Mary Bernardino, Columbus  
 Willard Alan Bernbaum,  
 University Heights  
 Donald Hartford Birnie, Jr.,  
 Worthington  
 Charles Edward Blayney, Lima  
 Marianne Blumenthal, Columbus  
 Kenneth George Bonzak, Parma  
 Terri Ellen Bowers, Pandora  
 Cheryl Ann Bowersox, Ashland  
 \*Vancey Ray Bown, Toledo  
 Deborah Alene Branch, Elyria  
 Patricia Murphy Brinkman, Columbus  
 \*\*Diane Paul Brown, Pittsburgh, Pa.  
 Nancy Ann Bruggeman, Marion  
 Elaine Storzjohann Burrows, Columbus  
 Robert Martin Coburn, Middletown  
 Diana Irene Cohen, Dayton  
 Warren Arthur Colmer, Columbus  
 Jeffrey Allan Conley, North Canton  
 Navita Eloise Cummings, Columbus  
 Andrew Richard Denkowski,  
 Columbus  
 Robert William Detwiler,  
 Pittsburgh, Pa.  
 Terrence Lee Diehl, Cincinnati  
 Daniel Edward Dills, Columbus  
 Diane Mary Disbrow, North Canton  
 Henry Melvin Doss, Jr., Columbus  
 Phillip Walter Drake, Parma Heights  
 Larry Lee Dumbauld, Columbus  
 Sondra Lee Earley, Columbus  
 Wayne Allen Edge, Cleveland  
 Joseph Elton, Stow  
 Norman Ernest Facter,  
 University Heights  
 Ernest Odon Faska, Jr., Berea  
 Jay Edward Fisher, Columbus  
 Denise Anne Florance, Columbus  
 Robert Alan Foeller, Reynoldsburg  
 Deborah Ann Foster, New York, N. Y.  
 Charles Eugene Fraley, Lima  
 Franklin Robert Freeman, Columbus  
 Robert Duane Gearing, Columbus  
 Gale Anthony Gilbreath, Columbus  
 Barry Scott Gluck, Fairborn  
 Frederick Stanley Golan, Columbus  
 Regina Lynn Goodman, Columbus  
 Susan Laurette Goodwin, Columbus  
 Bruce Neill Graham, Columbus

Nicholas Frank Grasso,  
 Cleveland Heights  
 William Thomas Grunkemeyer,  
 Columbus  
 Christine Ann Hardman, Columbus  
 Barbara Lynn Hartley, Youngstown  
 Stephen Michael Herz, Columbus  
 Linda Messenger Hoch, Prospect  
 Steven Kendall Holloway, Columbus  
 Deborah Lynn Holmes,  
 Shaker Heights  
 Michael Gary Hoover, Ashville  
 Beverly Laine Horrocks, Columbus  
 Diane Sue Hougendobler, Coshocton  
 Christopher Joseph Howell,  
 Chillicothe  
 Robert Neal Johnson, Fairborn  
 Charlie A. Jones, Columbus  
 Michael Wayne Kachur, Columbus  
 Robert Allan Knight, Columbus  
 Chris Michael Kunkleman, Columbus  
 David S. Leitenberger, Mansfield  
 Walter William Leitenberger,  
 Mansfield  
 Edward Michael Levine, Columbus  
 Woodrow Lewis, Jr., Columbus  
 Judith Ann Loeber, Mansfield  
 \*Michael Lee Ludlow, Urbana  
 Joseph A. Malecki, Columbus  
 Douglas James Maser, Canton  
 Michael Gregg Maxfield, Columbus  
 Regina Lynn Maynard, Westerville  
 Karen Eleanor McGreevy, Columbus  
 Vicki Brenner McKibben, Columbus  
 Michael Joseph McManis, Columbus  
 Dennis William McNamara, Columbus  
 Louise Marie Messenger, Marion  
 Wesley Eugene Metz, Marion  
 Kenneth Austin Milner, Columbus  
 Susan Gaylord Moseley,  
 Shaker Heights  
 Frederic William Mousing, Napoleon  
 James Edward Mott, Mansfield  
 Carol Ann Mullan, Youngstown  
 Stephen Allen Musgrave, Tiffin  
 Rowena Nye Nelson, Chillicothe  
 Cheryl Ann Newton, Newark  
 Gregory K. Odell, Mentor  
 Diana Lynn Oditt, Dayton  
 Robert Henry Panning, Jewell  
 Michael Leroy Patterson, III,  
 Columbus  
 William Howard Peoples, Columbus  
 Jo Anna Perkins, Plain City  
 Penelope Francesca Phillips,  
 Youngstown  
 Frederick Pisanelli, Warren  
 Charles William Plummer, Columbus

Earl Benjamin Posey, Columbus  
 Elbert Roy Pringle, Columbus  
 Barry Gregory Rappaport, Toledo  
 Patricia Ann Rast, Columbus  
 William Kenneth Ream, Cincinnati  
 Ronald Anthony Redden, Fairfield  
 David Paul Rinkoski, Columbus  
 Karl Edward Rosenberg, Columbus  
 John Robert Russell, Columbus  
 David Ward Rust, Columbus  
 B.S.  
 Shirlee Ann Sanderson, Richwood  
 William Anthony Schneller, Jr.,  
 Cincinnati  
 Constance Eileen Seffens, Westerville  
 Norman Dale Shafran, Cleveland  
 Philip Bradley Sharp, Columbus  
 Lowell Eugene Shoaf, Columbus  
 Robert Walter Skusa, Sheffield Lake  
 Richard Alan Sloan, Springfield  
 Jennifer Nixon Smith, Columbus  
 Sheila Mary Sprague, Elyria  
 Sidney Louise Stewart, East Canton  
 Janet Lee Stroup, Warren  
 Fred Thomas, Jr., Columbus  
 Robert Bruce Waferling, Columbus  
 John William Wagner, Columbus  
 Francis Marion Wake, Jr., Columbus  
 Stephen Campbell Warren, Sylvania  
 Jean Marie Watkins, Trotwood  
 Warren Keith Weaver, Columbus  
 Martin Fred White, Warren  
 Robert James Whitely, Worthington  
 Ruth Berg Williams, Columbus  
 James Howard Wilson, Dayton  
 Mark James Wintering, Columbus  
 Ronita Lynn Wright, Mansfield  
 Herold Theodore Yaeger,  
 Mayfield Heights  
 Frank Irving Zykela, Waterville

#### Bachelor of Science

Seventeen candidates

Lawrence John Andrews, Avon Lake  
 David Edward Broyles, Columbus  
 Mark Andrew Crittenden, Mansfield  
 Vernon Anthony Ebert, Dayton  
 William John Fox, Lima  
 Larry Richard Hamrick, Columbus  
 Kay E. Kocian, Strongsville

\* Also Bachelor of Science in Education,  
 College of Education  
 \*\* Also Master of Arts, Graduate School

## College of Administrative Science

Dean: James R. McCoy

James Eugene May, Hinsdale, Ill.  
Raymond Virgil Payne, Hollins, Va.  
David Michael Schmidt, Cleveland  
Catherine Mary Seifert, Wyoming  
Craig Sentar, Columbus  
Gary Allen Serafin, Cleveland  
Lawrence James Snyder, Columbus  
John Robert Stone, Columbus  
Tamela Anson Turner, Akron  
Paul Francis Zauner, Sylvania

### School of Journalism

#### Bachelor of Arts in Journalism

Nineteen candidates

Deborah Sue Boggs, Kettering  
William Oden Bohman, Hamilton  
Daniel Michael Chesarino,  
Youngstown  
Patricia Ann Cunningham, Newark  
David Allen Dudley, Findlay  
Pamela Powers Ervin, Columbus  
Gary Michael Gorman, Columbus  
Sharon Marcia Green, South Euclid  
David Lee Harding, Lima  
Lynn Eugene Leuszler, Columbus  
James Robert Luckhaupt, Columbus  
Raymond Lee McCall, Newark  
Thomas Edward Niehaus, Cincinnati  
Robert Alan Nozar, Maple Heights  
William Henry Payne, Columbus  
Elizabeth Anne Reece,  
South Bend, Ind.  
Jill Debra Steuer, Columbus  
Michael Armon Thayer, Mentor  
Carla Louise Vasser, Columbus

#### Bachelor of Science in Business Administration

One hundred and fifty-five candidates

Barry Jay Adelman, Canton  
Jeffrey Paul Albrecht, Portsmouth  
Richard Alan Aleshire, Columbus  
Kenneth Richard Allshouse, Paulding  
James Joseph Antal, Seven Hills  
Larry Jack Armstrong, Delphos  
Keith Wayne Butler, Greenville  
Steven Leon Bick, Cincinnati  
Magdi Farid Bishara, Columbus  
John Robert Blome, Vandalia  
Timothy J. Boone, Bellefontaine  
Daniel Paul Brown, Newcomerstown  
David Lee Brown, New Albany  
Donald Dean Brown, Cambridge  
John Palmer Brown, Akron  
Matthew Sherman Brubaker,  
Granville  
John Dillen Burrer, Sunbury  
Willis Burgess Busey, Columbus  
James Michael Cahill, Jr., Grove City  
George Alexander Carlier, III,  
Point Marion, Pa.  
Shannon Noda Carroll,  
Honolulu, Hawaii  
Ronald Lee Chapman, Columbus  
Gary Joseph Clark, Columbus  
Jack Arthur Coneybeer, Columbus  
Irving Confino, Rochester, N. Y.  
Terry Lynn Conn, London  
Harry James Conway, Columbus  
Richard Gerard Cook, Lima  
Larry Cox, Holland  
Roger William Craig, Clyde  
Stephen David Crawford, Wapakoneta  
Daniel Waid Cross, Wooster  
Bruce Edward Crothers, Marion  
Phyllis Ann Cummins, Springfield  
Terry Stephen Cunningham,  
Grove City  
Timothy Stephen Darin, Columbus  
Barbara Jo Ann D'Aurora,  
Steuheville  
Joseph Edward Demshar, Mentor  
Charles Patrick Donovan,  
Wellsville, N. Y.  
Danny Leigh Drake, Columbus  
Ray Landes Drusekikis, Dayton  
Nancy Jean Dueceaster, Burghill  
Lyman Louis Dulin, Jr., Kent  
Mustafa Ahmed Elzahaby,  
Cairo, Egypt  
John Francis Fabanish, Youngstown  
Robert Arthur Francis, Chillicothe

Herman Harold Friedman,  
Shaker Heights  
Steven Craig Futrell, Worthington  
Steven Scott George, Lancaster  
Paul Walter Gera, Parma  
Thomas Lee Gilcher, Bryan  
Ronald Paul Gonya, Bellevue  
David Theodore Goresh,  
Weirton, W. Va.  
Edwin Lee Graham, South Point  
Richard Lance Grandstaff, Columbus  
David Louis Grant, Ashtabula  
Michael Paul Halter, Delaware  
Gerald Leo Hamilton, Columbus  
Thomas Craig Hamm, Thornville  
Joseph Moody Harp, Jr.,  
Hagerstown, Md.  
Rita Anne Hart, Cleveland  
Daniel Keith Hartenstein, Willard  
Jack Edward Hastings, Millersburg  
Timothy Eugene Hawley, Eaton  
Wayne Moore Hay, Columbus  
Joseph Walter Heffner, Waynesville  
Gregory Harold Henderson, Columbus  
Nicholas Joseph Hoffer, Cambridge  
Joseph Meyer Hollenberg,  
Williston Park, N. Y.  
Johnny Lee Hopkins, Cuyahoga Falls  
Robert Edison Houser, Wooster  
Gary Lee Jokiniemi, Ashtabula  
Gary Bruce Jones, Columbus  
Roger Dwight Jones, Delaware  
Roger Lee Kagy, Paulding  
Dale Scott Katz, Shaker Heights  
Michael James Keenan, Steubenville  
Robert Jay Kellerman, Akron  
Bruce Roye Kerns, Columbus  
Betsy Ann Kesselring, Tallmadge  
Joseph John Kienle, Columbus  
Joy Judith Klauminzer, Lakewood  
Roger Julius Klein,  
Middleburg Heights  
George Kleinman, Massapequa, N. Y.  
William Leo Kuenzli, Tiffin  
Kenneth James Lloyd Lambourne,  
Columbus  
Roy William Leonard, Columbus  
William John Lestock,  
Garfield Heights  
Craig Allen Looney, Vermilion  
John Bruce Lowe, Columbus  
Jeanne Victoria Mahfouz, Kettering  
Joseph William Marotta, Brook Park  
Joseph Gregory Martin, Findlay  
Robert William Maurer, Dover  
M. Gynell McGee, Columbus  
Noel Sean McMullen, Springfield



## College of Agriculture and Home Economics

Dean: Roy M. Kottman

Robert G. Miller, Jr., Vincennes, Ind.  
David Stewart Mills, Mansfield  
Joseph Alfred Moser, Dayton  
Kevin Murphy, Huron  
Derek A. Neff, Tipp City  
William Randall Neff, Columbus  
Thomas Patrick Nolan, Columbus  
John Edward Olson, Columbus  
Richard Frederick Ott,  
Sagamore Hills

Oleh Roman Paschyn, Lorain  
James Kenneth Pfirsich, Bucyrus  
James Robert Phillips, Plymouth  
Donald A. Poirier, Columbus  
Richard Lawrence Popham,  
Fort Meyers, Fla.

Nicholas Paul Raimo,  
West Babylon, N. Y.  
Kurt Louis Redinbaugh, Columbus  
Michael Robert Redman,  
West Jefferson

William Verl Reichert, Delaware  
B.S.

Thomas Reid, Columbus  
Jay Warren Roach, Madeira  
Daniel Francis Rohr, Greenville, S.C.  
Daniel Lawrence Rosenfield,  
Elmont, N. Y.

Charles Lossie Rowland, Jr., Galena  
Phillips Timothy Ruffalo, Youngstown  
Dominic Joseph Russo, Youngstown  
Thomas Gerard Ryan, II, Columbus  
Vincent George Satarino, Chicago, Ill.  
Michael Phillip Scannell, Toledo  
Robert Henry Schneider, Miamisburg  
David Michael Schultz, Springfield  
Thomas Dean Seaman, Dayton

Daniel Allen Semer, Lima  
David Anthony Semon, Warren  
Robert William Siekmann, Cincinnati  
Linda Joy Spitzer, St. Louis, Mo.  
Mark Andrew Sprenger, Toledo  
Charles Matthew Starcher,  
Parma Heights

Thomas Loy Steitz, Columbus  
Robert Denver Steward, Akron  
Mark Stephen Stickel, Columbus  
Gary Leslie Stutzman, Aurora  
Jay David Sukota, Willard  
Robert Dennis Szabo, Euclid  
Edward Francis Thurkettle, Columbus  
John William Tolos, Cincinnati  
Steven Julian Truitt, Galion  
Lizabeth Jane Utley,  
Richmond Heights

David Richard Van Meter,  
Dover, Del.

Ronald Vasko, Poland

Richard Alan Vogt, Norwalk  
John Michael Walker, Lima  
Thomas Alan Waters, Columbus  
Lawrence Henry Weller, Jr., Bellbrook  
Dexter Derr Wilson, Williamstown  
Michael Wayne Wilt, Wilmington  
Steven Craig Wingate, Columbus  
Bruce Alan Wise, Heath  
Charles Willie Wright, Delaware

### School of Social Work

#### Bachelor of Science in Social Welfare

Eleven candidates

Fred Anthony Allen, Columbus  
James Thedious Lawson,  
Switchback, W. Va.  
Michele Nan Linder, Youngstown  
Angeline Marie Mascari, Marion  
Edward Eugene Morrow,  
New Holland

Stephen William Oehrtman, Versailles  
Cynthia Doughman Popham,  
Columbus

Sue Carol Rubenstein,  
Chatanooga, Tenn.  
Nancy Burnham Rutter, Cleveland  
Jack B. Stockslager, Vandalia  
Jack Leroy Stoneburner, Columbus

#### Bachelor of Science in Agriculture

Fifty-nine candidates

Harold Wayne Benson, Carroll  
Michael Duane Berns, Middletown  
Stephen Jay Bidgood, Chardon  
\*Gary Nelson Bovard, Utica  
Faustino Uchiri Ceama,  
Azangaro, Peru  
Douglas Alan Davis, Washington C. H.  
Leonard George Delamater,  
Sandusky

Frank Ketcham Eckler, Norwalk  
John S. Fournier, Steubenville  
Jeffrey Paul Franklin, Columbus  
Stephen Paul Glasgow, Peebles  
John Tilghman Glisson, Foley, Ala.  
Richard Alan Graham, Shelby  
Kenneth Moseley Grove, Westerville  
Eric Davis Gyllenhaal, Bay Village  
James Robert Halliwell, Rittman  
Diane Christine Hare, Canton  
\*Eugene Carson Harlan, Lyndon  
William Howard Hegge, Cincinnati  
Jeffrey Stephen Hoffman,  
Rochester, N. Y.

\*Mary Carol Joyce, Baden, Pa.  
Ira Charles Kaplan, Cincinnati  
\*\*Karen Ann Kramer, Delaware  
John Leslie Kreachbaum,  
Pickerington

Jeffrey Crawford Lehman,  
Middleburg Heights  
George Ernest Like, Sciotoville  
Diane Louise Mason, Cincinnati  
Rodney Daniel McClanahan,  
Cuyahoga Falls  
John William Miley, Sarahsville  
Michael Raymond Nash, Alexandria  
William Allan Osborne, Akron  
Thomas Milton Overmier,  
Liberty Center

Ivan Theodore Pollack, Masury  
Ben Douglas Pratte, Spencerville  
Jeffrey Baird Rankin, Sebring  
G. Kent Redett, Amlin  
\*Jeffrey Michael Reutter, Willoughby  
Charles Robert Rodabaugh, Forest  
Wade Alvin Rusk, Worthington  
Alan Doyle Schriver, Reno  
Cathleen Leslie Scott, Urbana  
Daniel Earl Sexton, Steubenville  
Joyce Ann Shriver, Shreve  
Kenneth Thomas Siemer, Cincinnati  
Michael Joseph Skiver, Toledo

\* Also Master of Science, Graduate School

\*\* Also Bachelor of Science in Education,  
College of Education

## College of Dentistry

Dean: John R. Wilson

### Doctor of Dental Surgery

Three candidates

Gregory John Ermenc, Cincinnati  
B.A.

James Walter McCormick Lima

Robert Perry Merrill, III, Columbus  
B.S. (Bowling Green State  
University)

### Certificate of Graduate Dental Hygienist

One candidate

Karen Lynne Brucoli, Youngstown

Gary Lee Steinen, Huron  
Terry Lee Taylor, Chillicothe  
William Michael Theil, Colerain  
Michael Angelo Toporec,  
Mineral Ridge  
Thomas Joseph Wagler, Archbold  
Glenn Curtis Waugh, Dayton  
Daniel Webel, Akron  
Ronald Clinton Werner, Columbus  
Robert Verner White, Jr.,  
Williamsfield  
Randall Maurice Wilcox, Huron  
Laura Lee Williams, Dayton  
Bruce William Wright,  
Cuyahoga Falls  
Richard Allen Zimmerman,  
Worthington  
\*Carl Robert Zulauf, Nevada

### Bachelor of Science in Food Technology

One candidate

Ronald Paul Rugala, Marion

### School of Natural Resources

#### Bachelor of Science in Natural Resources

Sixteen candidates

Richard Allen Bantz, Englewood  
Allen Charles Close, Bellevue  
Craig Douglas Cope, Hudson  
Richard Wayne Counts, McDermott  
John Henry Cox, Middletown  
Timothy Earl Fair, Fairborn  
Stephen William Goodwin, Columbus  
Richard Alan Greene,  
University Heights  
Richard Louis Kimberly, Columbus  
James Bernard Kocinski, Sylvania  
David Lee Marsh, Dayton  
Layne Howard Monk, Portsmouth  
Michael Richard Norton, Cincinnati  
Thomas Alan Ottney, Elmore  
Jan Alan Rice, Andover  
Paul Fredrick Spurrier,  
Steubenville

### School of Home Economics

#### Bachelor of Science in Home Economics

Thirty candidates

Gretchen Ann Baas, Columbus  
Laura Jean Bisantz, Bay Village  
Vicky Hiltabiddle Boulton, Columbus  
Linda Ann Brown, Lima  
Helen Karn Brunelle, Lewistown, Pa.  
Mary Gibbs Cherrington, Dover  
Jana Lou Dasbach, Jacksonville, Fla.  
Cynthia Ann Drew,  
Kennebunkport, Me.  
Kathleen Marie Foster, Worthington  
Patricia Marie Heintz, Anna  
Nancy Rosenfeld Hirschl,  
New York, N. Y.  
Sharon Lou Hoelscher, New Knoxville  
Nora Cochrun Huber, Columbus  
Karen Smith Johnson, Columbus  
Stephanie Robinson Leffler, Marion  
Vera Rosalie Link, Mt. Vernon  
Jane Emily Martin, Portsmouth  
Marlene Ann Meccia, Columbus  
Mary Kay Neikirk, Bucyrus  
Kathryn Cullman Ogg, Columbus  
Susan Faye Overbey, Eaton  
Nancy Jane Pleasants, Blacklick  
Janice Porteus, Coshocton  
Mary Ann Schmelzer Reichley,  
Bremen  
Jane Gallup Reid, Painesville  
Nancy Elma Stiver, Warren  
Cynthia Lou Tanner, Mt. Sterling  
Ann Cecilia Willhelm, Cincinnati  
Cynthia Margaret Wills, Columbus  
Martha Bonsecour Zeyen, Columbus

#### Bachelor of Science in Restaurant Management

One candidate

Robert Allan Place, Columbus

\* Also Master of Science, Graduate School

## College of Education

Dean: Donald P. Anderson

### Bachelor of Science in Education

Three hundred and twelve candidates

William Francis Adamescu, Columbus  
Maria de los Angeles Agrelo, Dayton  
Melanie Sue Alacca, Mansfield  
Frank Stuart Alexander, III,  
Columbus

John Joseph Allen, Columbus  
Francis Augustus Aluise, Columbus  
Janice Anderson Amburgy, Columbus  
Debra Lynn Anderson, Wooster  
Esther Isaac Arav, Columbus  
Susan Kyle Arn, Dunkirk  
Timothy C. Ashford, Bedford  
Frances Hershey Ault, Columbus  
Gay Rae Barbera, Columbus  
Carol Valentine Barnes, Columbus  
Kenneth Melvin Barnes, Elyria  
Donna Marie Barton, Columbus  
Bonnie Sue Baruck, Lincolnwood, Ill.  
Victor Isadore Baskind, Cleveland  
Juanita Jolliff Battles, Marion  
Michael Eric Baumgardner, Coshocton  
Donnis Pember Bayless, Winchester  
Bruce Jeffrey Beck, Vanlue  
Phillip Eugene Bierly, Westerville  
Margaret Lynn Blackmore,  
Worthington

Patricia Niemeyer Boerger, Richwood  
Susan Ellen Boerger, Marysville  
Peggy Ann Anzo Bona, Lyndhurst  
Margaret Mary Bonfante, Columbus  
Margaret Jeanne Bonsall, Canfield  
Susan Oberschlake Bowen,  
Hampersville

\*Vancey Ray Bown, Toledo  
Wendy Lynette Bray,  
Wilmington, Del.

Katharine Cochran Brown,  
Fredericktown

Mary Elizabeth Brown, Columbus  
Paulk Davis Bryan, Wapakoneta  
Joyce Jones Buetner, Elida  
\* John Michael Burger, Columbus  
Colleen McKee Burman, Caledonia  
Susan Cheryl Bush, Columbus  
Connie Alberta Caldwell, Twinsburg  
Kathleen Deanna Cannon, Columbus  
Nancy Ann Catalano, Westlake  
George Edward Chaconas, Newark  
Leslie Coates Chadwell, Worthington  
Monecca Terry Chadwell, Columbus  
Rodney Allen Chapman, Columbus  
Joan Mary Chelekis, Cambridge  
Randall William Childress, Kettering  
Roger Kay Chitty, Sabina  
Joann Zallen Cleckner, Columbus

Michael LaVerne Cline, Lexington  
Sally Diehl Clutter, Columbus  
Claudia Reser Coe, Washington C. H.  
Rena Susan Cohen, Columbus  
Deborah Strader Collins, Westerville  
Dian Wiley Connott, Xenia  
Judith Ann Cook, Columbus  
Linda Lee Copeland, Shelby  
Carol Jean Core, Lima  
Julie Rose Cornell, Amherst  
Cheryl Romoser Crayercraft, Marion  
Karen Sutter Crownover, Mansfield  
Theresa Roberson Curtis, Grove City  
Antoinette Tanasichuk Cypher,  
Columbus  
Kathleen Whalen DeWitt, Columbus  
Robert Edward Dickenson, Pataskala  
David Albin Didion, Norwalk  
Timothy Todd Diemer, Worthington  
Allen Michael Dodge, Columbus  
Rebecca Wiewandt Donahue,  
Port Clinton

Suzanne Margaret Dorn, Columbus  
George Alan Dougal, Scott  
Janet Kay Douglass, Columbus  
Garry Wayne Dunlap, Columbus  
Donald Ray Dunn, Elyria  
Allison Louise Edge, Columbus  
Judith Gallogly Ehlerding,  
Washington C. H.  
Leah Troutman Elliott, Portsmouth  
Daniel Edwin Epley, Worthington  
Bruce Ira Epstein, University Heights  
Dennis William Ervin, Columbus  
\*Kathleen Irene Evan, Mansfield

David Lee Evans, Gahanna  
Barbara Ann Everett, Lima  
William Charles Farago, Columbus  
Suzanne Marsha Fein,  
Shaker Heights  
Laura Jean Ference, Parma  
Robert Lynn Fickle, Columbus  
Virginia Boynton Fishburne,  
Columbus

Alice J. Foley, Hilliard  
Thomas Keasler Foutz, Portsmouth  
Constance Love Fox, Pittsburgh, Pa.  
Barbara Ellen Frankel, Toledo  
Rhonda Lorraine Freedman,  
Columbus

Kathryn Fowles Frissora, Lakewood  
Marcia Ann Gall, Columbus  
Douglas MacArthur Gates, Columbus  
Janet Lee Gattes, Fairborn  
Donna Jean George, Columbus  
Beth Briner Gibbs, Dayton  
Gail Susan Ginsberg, Plainview, N.Y.  
Sylvester Lewis Glass, Columbus  
Lynne Shaffer Goldsmith, Galion

Denise Goodrich, Columbus  
Karen Sue Gould, Omaha, Neb.  
David Bruce Grant, Columbus  
Nena Eubanks Green, Columbus  
Susan Elaine Green, Caledonia  
Michael Lawrence Greene, Columbus  
Louise Alice Grossner, Shaker Heights  
Sharon Lee Hagerly, Avon Lake  
Sharon Pierce Haggard, Waynesfield  
Kathleen Boyd Hahn, Marysville  
Deborah Lorraine Hall, Kettering  
Barbara Carol Halter, Conneaut  
Judith Ann Haney, Pataskala  
Dieter Friedrich Hansen, Columbus  
\*David Henry Harmon, Mansfield  
Jacquelyn Haworth Harms, Columbus  
Martha Jane Harris, Wintersville  
Sharon Marie Harris, Columbus  
Mark Dennis Hartman, Granville  
Joan Elizabeth Hay, Poland  
Marcia Ann Hayden, New Lexington  
Patricia Jane Frazier Hazlett,  
Springfield

Sharon Marie Heit, Trotwood  
Elizabeth E. Helmuth, Plain City  
Vicki Due Hendricks, Cincinnati  
Katherine Ellenwood Hetzer,  
Columbus  
Jeanne Boals Hickie, Mansfield  
Gayle Gene Higgins, Ufca  
Terry William Hill, Columbus  
Janza Helene Hilson, Fort Valley, Ga.  
Dwayne Welcome Hoffman, Marion  
L. Jean Vanluppen Hopkins,  
Worthington

William Leslie Horning, Crestline  
Susan Mary Horstman, Columbus  
Cynthia Kay Hoskey, Chesterville  
Colleen Rae Howard, South Euclid  
Douglas Alan Hugel, Cleveland  
Loretta Jean Hummel, Columbus  
Ann Louise Hutcheson, Zanesville  
David Michael Hutchings, Columbus  
Sandra Lee Hutchison, Columbus  
Aristotle Louis Hutras, Dover  
Marian Ciriachi Hutson, Columbus  
Barbara Cohen Isaacs, Cleveland  
Nancy Hairston Ivers, Columbus  
Marcia Lynn Jacobs,  
Richmond Heights  
William Vincent James, Columbus  
Lois Schicker Johnston, Columbus  
Barbara Patrice Jones, Columbus  
Margaret Boyce Jones, Kirtland  
Linda Slusher Joseph, Columbus  
Margaret Ruth Kaiser, Columbus

\* Also Bachelor of Arts, Colleges of the Arts  
and Sciences.

Mary Keeran Karl, Sidney  
 Rebecca King Karnap, Columbus  
 Joan Marie Kaul, Brooklyn  
 Mary Ann Keckstein, Columbus  
 Joel Randolph Kefuss,  
 Cleveland Heights  
 Cathryn Luck Kellerman, Akron  
 Keith Leroy Kemper, Columbus  
 John Robert Kesler, Columbus  
 Josephine Constance Kestella,  
 Marysville  
 Rita Clay Kimmey, Mt. Gilead  
 Larry Joe Kirk, Columbus  
 Judith Lynn Kishman, Lorain  
 Darla Winkler Klukas, Lima  
 Nancy Corrao Kormanik, Columbus  
 Stanley Mark Kowalski, Columbus  
 Steven John Kozsey, Painesville  
 \*\*Karen Ann Kramer, Delaware  
 John Frederick Krumholtz, Dayton  
 Sandra Lee Kucinski, Cleveland  
 Carolyn Zita Kundert, Delphos  
 Denis Harry Lambillotte,  
 Worthington  
 Charla Joyce Lautar, Columbus  
 Cert. Grad. Dent. Hyg.  
 William Earl Lawson, Mechanicsburg  
 Helene Gaye Laxer, Fort Lee, N. J.  
 Linda Chandler Lehman, Lima  
 James Joseph Leonard, Columbus  
 B.A.  
 Marsha Ruth Levine, Columbus  
 Barbara Ellen Linger, Lorain  
 Donald Clinton Lloyd, Columbus  
 Janet Strunk Lobdell, Lima  
 Kathleen Coleman Lorenz, Mansfield  
 Martha Kessler Lozano, Columbus  
 \*Michael Lee Ludlow, Urbana  
 Catherine Lynch Luten, Columbus  
 Sue Graf Lutterbsin, Wapakoneta  
 Josephine Ann Malmgren,  
 Greenwich, Conn.  
 Mary Birchfield Martin, Sunbury  
 Michael Timothy McAndrew,  
 Columbus  
 Kathleen Marie McCann Columbus  
 Colette Armstrong McCloskey,  
 Columbus  
 Richard Joseph McCloskey, Jr.,  
 Columbus  
 Michael James McCreary, Columbus  
 Jerry David McCreery, Baltimore  
 B.S. (Capital University)  
 Marlene Meese Mendenhall, Newark  
 David Louis Merchant, Columbus  
 Merilyn Patricia Migliore,  
 Worthington  
 Margaret Rose Miller, Miamiville  
 Richard Lee Miller, Columbus  
 Mildred Downs Mitchell, Prospect  
 Margaret Mary Modecki, Marietta  
 Elizabeth Ann Moore, Circleville  
 Kathleen Sue Moran, Columbus  
 Virginia Ann Morelli, Steubenville  
 Sharon Lee Mosley, Wapakoneta  
 Charles Ernest Mustard, Columbus  
 Susan Douglass Muth, Columbus  
 Patricia Ann Newton, Loudonville  
 Carol Riggle Nichols, Mansfield  
 Diane Herd Noble, Hebron  
 Theresa Lynn Noon, Columbus  
 Yvonne Fuller Oaks, Bellefontaine  
 Margaret Stewart Oxley, Columbus  
 Patricia Ann Painter, Circleville  
 Charles Lovett Palmer, III, Columbus  
 Howard Ellis Parker, Columbus  
 John Edward Parsons, Norwood  
 Bernard Francis Paumier, Baltimore  
 Douglas Richard Petersen, Avon  
 Stanford Marc Platt, Beachwood  
 Louise Elizabeth Pohlman, Delphos  
 Robert Wilson Porter, Lima  
 Debra Hardman Pottenger, Fairfield  
 Sheila Diane Powell, Mansfield  
 Deborah Bennett Price, Columbus  
 Daiva Kristina Ramonas,  
 Richmond Heights  
 Barbara Farr Rash, Columbus  
 Richard Morgan Rees, Kent  
 Donna Glenn Reid, Cleveland  
 Kathryn Elaine Reilly,  
 Cuyahoga Falls  
 Errole Donnard Rembert, Cleveland  
 Christine Jaeger Ricketts, Columbus  
 Miriam Seitz Riddlebaugh, Galion  
 James Alfred Riley, Newark  
 Kathy Lynn Rittman, Columbus  
 Cheryl Smith Robbins, Columbus  
 Deborah Burkhart Roberts, Marietta  
 Harold Eugene Roberts, Jr.,  
 Martins Ferry  
 Virginia Marie Rodeman, Toledo  
 Janette Siedel Roemer, Columbus  
 Mary Rothbarth Rosenberg,  
 St. Louis, Mo.  
 Robin Jean Rosenfeld, Columbus  
 Lubomyra Holowaty Rozsa, Columbus  
 Debra Claire Ruben, Norfolk, Va.  
 Ronald Ruggiere, Levittown, N. Y.  
 Cheryl Lucille Sandberg, Columbus  
 Karen Elaine Sanders, Lakeview  
 Edita Anna Schmidt, Mansfield  
 Paul Francis Schodorf, Columbus  
 B.A.  
 Shirley Ann Shade, Versailles  
 Cert. Grad. Dent. Hyg.  
 Gwen Abrams Shar, Baltimore, Md.  
 Susan Lynn Sharrett, Bloomingburg  
 Darlene McFarland Shore, Cambridge  
 Margaret Lynn Simpson, Heath  
 Joel Ira Skolnik, Cleveland  
 James William Slack, Jr., Zanesville  
 B.A. (Otterbein College)  
 Ruth Ann Hunter Smith, Westerville  
 Sylvia Claire Smith, Columbus  
 Constance Sue Sneary, Lima  
 Colleen Ann Spires, Columbus  
 Deborah Snyder Stanfield, Ashland  
 Mildred Buchner Steiner, Mansfield  
 Marsha Ellen Stenzel, Fairview Park  
 Jack Edward Stevenor, Columbus  
 Steven Thomas Storer, Columbus  
 Steven Eugene Stump, Columbus  
 Judith Lynn Sullivan, Cincinnati  
 Richard Lee Swogger, Lexington  
 Janice Dennis Taylor, Xenia  
 Willie Mervin Teague Youngstown  
 Joslyn Ann Thomas, Chillicothe  
 Linda Brelsford Thomas, Columbus  
 Yvonne Andrews Thornton, Dayton  
 Edward Allen Thurman, Shelby  
 Linda Carole Tillman, Columbus  
 Patricia Joan Toberen, Columbus  
 Annette Topping, Xenia  
 Beverly Jayne Tranter, Wellsville  
 Thomas Edward Trittschuh,  
 Greenville  
 Donna Morris Turner, Lexington  
 Rosalind Mae Upson,  
 University Heights  
 Georgia Yvonne Vrahotes, Toledo  
 \*Barbara Lynn Walovich, Mansfield  
 Jane Ellen Walters, Columbus  
 Cathy Diana Waugh, Columbus  
 Mary Wehrman Weaver,  
 Pittsburgh, Pa.  
 Denise Webber, Cleveland  
 Diane Ackerman Weber, Columbus  
 John Wayne Weese, Columbus  
 Donna Maribeth Weiss, Hamilton  
 Stanley Mark Weller, Lima  
 Peggy Jean Wells, Columbus  
 Ronald Douglas Whitacre, Westerville  
 Sarah Ellen White, Sylvania  
 Linda Sue Whiteman, Columbus  
 Rita Mae Wienken, Ottawa  
 Vicki Lu Wilson, West Liberty  
 Richard Jefferson Winegardner,  
 Newark  
 Jerry Lee Woodruff, Hilliard

\* Also Bachelor of Arts, Colleges of the Arts and Sciences  
 \*\* Also Bachelor of Science in Agriculture, College of Agriculture and Home Economics

## College of Engineering

Dean: Harold A. Bolz

Linda Marie Woods, Navarre  
John Howard Woolard, Newark  
Claudia Irene Wren, Lima  
Christina McNew Yahn, Mt. Sterling  
Jerome Lee Yanevich, Columbus  
Pamela Kristine Yerian, Springfield  
Jane Marie Zackeroff, Warren  
Charles David Zimmerman, Collins  
Margaret Rose Zone, Cleveland

### Bachelor of Art Education Offered jointly by the College of The Arts and the College of Education

Seven candidates

Deborah Lynn Jones, Ada  
Beverly Sue Miller, Columbus  
Ann Cashman Peters, Columbus  
\*Frederick Ion Reed, Columbus  
Elysee Stacy Simon,  
Highland Park, Ill.  
James Arnold Smith, Columbus  
Diane Helen Zoldan, Youngstown

### Bachelor of Music Education Offered jointly by the College of The Arts and the College of Education

Four candidates

Charles Henry Cheuvront, Lima  
\*\*David William Donovan, Lebanon  
Alicia Vermel Fryson, Youngstown  
Sarah Ellen Stemen,  
Canal Winchester

### Bachelor of Science in Aeronautical and Astronautical Engineering

Four candidates

Raymond Alfred Johnson,  
Sutton, Mass.  
David Forbes Rogers, Hudson, N. H.  
Craig Eugene Thompson, Ashland  
Henry Lee Wise, Dayton

### Bachelor of Science in Ceramic Engineering

Three candidates

Jay Richard Moore, Lancaster  
Edwin Wilson Schmidt, Jr., Greenfield  
Patrick Michael Stephan, Canton

### Bachelor of Science in Chemical Engineering

Two candidates

William Bennett Clark, Toledo  
Timothy John Thomas,  
Cuyahoga Falls

### Bachelor of Science in Civil Engineering

Five candidates

John Marshall Bright, Portsmouth  
Michael Thomas McKibben,  
Miamisburg  
Ralph Edward Ruckel, Columbus  
Kenneth Lee Smarke, Columbus  
John Russell Williamson,  
Gettysburg, Pa.

### Bachelor of Science in Computer and Information Science

Thirteen candidates

Joseph Arthur Beebe, Columbus  
B.M.E.  
Arthur Hubert Fallon, Pickerington  
George Allison Flowers, II, Elyria  
Robert David Halprin, Columbus  
Richard Douglas Henry, Columbus  
Michael Vincent Joyce, Parma

Lick Hong Leung,  
Wanchai, Hong Kong  
Steven James Miller, Troy, Mich.  
Billy Richard Naylor,  
Washington C. H.  
Michael F. Niemann, Columbus  
Harry Reinhardt, Hackensack, N. J.  
Richard Henry Schmits, Cincinnati  
Richard Lee Scott, Columbus

### Electrical Engineer

One candidate

Hosam Gamal Eldin Ismail, Columbus  
B.S.E.E. (Cairo University, Egypt)

### Bachelor of Electrical Engineering

Four candidates

†James Robert Brown, Mansfield  
†Kevin Charles McDonough, Elyria  
†David Allen Shafer, Columbus  
John Arthur Stahler, Chesterland

### Bachelor of Science in Electrical Engineering

Eight candidates

Richard Brooke Bemiller,  
Grove City, Pa.  
Richard Lewis Clouse, Newark  
Lawrence John Downey, Caldwell  
Stephen Henry Eppig,  
Cleveland Heights  
Eugene James Kotrba,  
Garfield Heights  
Gerald John Lehner, Willowick  
Thomas Clark Nation, Bellevue  
Edwin Chester Wright, Jr., Columbus

### Bachelor of Science in Engineering Physics

Three candidates

Patrick Lawrence Crow, Danville  
Victor Jackson Harris, II, Marysville  
Neal Frederick Levine, Columbus

\* Also Bachelor of Fine Arts, Colleges of the Arts and Sciences

\*\* Also Bachelor of Music, Colleges of the Arts and Sciences

† Also Master of Science, Graduate School

## College of Medicine

Dean: Henry G. Cramblett, M.D.

### Bachelor of Industrial Engineering

Two candidates

\*David James Harshman, Columbus  
David Harrison Hoffmeister,  
North Olmsted

### Bachelor of Science in Industrial and Systems Engineering

Seven candidates

Robert Ernest Arbogast, Mt. Sterling  
Mark Alan Bradway, Smithville  
Philip Marvin Breinich, Galion  
John Edward Mosier, Columbus  
Stephen B. Schramm, Steubenville  
Robert William Spisak,  
Middleburg Heights  
Gregory Scott Zivoder, Mentor

### Bachelor of Science in Mechanical Engineering

Eleven candidates

Richard Jeff Cole, Painesville  
William Roger Dillon, Scottown  
Ralph Joseph Dybiec, Garfield Heights  
Richard Aquinas Knuff, Mentor  
Steven Kenichi Matthew, Dayton  
Alfred Carl Policy, Youngstown  
Patrick Edward Scharf, Marion  
Lowell Wendell Shelly, Thornville  
Richard Louis Utecht, Cincinnati  
David Alan Wagner, Euclid  
Michael Lee Winland, West Jefferson

### Bachelor of Science in Metallurgical Engineering

Three candidates

Theodore Clyde Armbruster,  
Columbus  
Donald Robert Kitchen, Dayton  
Guy Christopher Nicholson, II,  
Grove City

### Bachelor of Welding Engineering

One candidate

\*George Fayer, IV, Elyria

### School of Architecture

#### Bachelor of Science in Architecture

Twenty-six candidates

Daniel Edward Bly, Kettering  
Paul Robert Burgunder,  
Pittsburgh, Pa.  
Larry Francis Caldwell, Columbus  
David Richard Cooper, Columbus  
Gregory Alan Frosberg,  
Wilmington, Del.  
Charles Gary Gerard, Mt. Vernon  
Frank Joseph Gruchalla, Jr.,  
Columbus  
B.S. Geol. Eg. (Saint Louis  
University)  
Joseph John Kaweck, Columbus  
Robert Keith Larrimer, Columbus  
Carol Jean Light, Girard  
Farley Marc Lozowick, Hillside, N. J.  
Daniel John Miller, Columbus  
Dennis Michael Murphy, Bucyrus  
Scott Alan Phillips,  
Birmingham, Mich.  
Robert James Polear, Garfield Heights  
James Michael Pollifrone,  
Eatontown, N. J.  
William Joseph Riat, Columbus  
David Leo Schmitt, Glenshaw, Pa.  
Paul Anton Schmitt, Franklin, N. Y.  
Alan Marc Schneider, Fairlawn, N. J.  
Gregory Edward Sekreta,  
Plainview, N. Y.  
John Michael Smales, Marietta  
Joseph Wayne Sullivan,  
Jane Lew, W. Va.  
Mark Edward Tanner,  
Ellwood City, Pa.  
John Gregory Willi, Troy, N. Y.  
Thomas Joseph Woodman, Avon Lake

#### Bachelor of Science in Landscape Architecture

One candidate

Terry Clinton Slider, Worthington

### Doctor of Medicine

Nineteen candidates

Robert Claude Brooks, Rocky River  
B.A. (Ohio Wesleyan University)  
Frederick Lawrence Cohen, Toledo  
B.S. (University of Michigan)  
Joseph George Engelman, Columbus  
A.B. (Miami University)  
David Christopher Fabrey,  
Perrysburg  
A.B. (Dartmouth College)  
Joel Irwin Fisher, Canton  
Edward Clark Hall, IV, Cincinnati  
B.A. (Miami University)  
Stephen Ellsworth Helms, Poland  
A.B. (Youngstown State University)  
Arthur Gregory Laurell, Findlay  
B.S. (Cornell University)  
David H. Levine, Youngstown  
A.B. (Case Western Reserve  
University)  
Ricky Lee Long, Latham  
B.A. (Miami University)  
Frank Joseph Mayo, Warren  
B.A. (Denison University)  
Timothy John McDonough,  
Fairview Park  
B.S. (John Carroll University)  
Joseph Jesse Meli, Akron  
B.S. (University of Akron)  
John Lincoln Moore, Springfield  
A.B. (Case Western Reserve  
University)  
Thomas John Nickras, Cleveland  
B.S. (University of Dayton)  
James Kevin O'Donnell, Wickliffe  
B.S. (John Carroll University)  
Francis Timothy Reineck, Toledo  
B.S. (University of Toledo)  
Ronald Nesbitt Rhodes,  
McLean, Va.  
B.S. (Purdue University)  
John Michael Stachler, Dayton  
B.S. (Ohio University)

\* Also Master of Science, Graduate School

**School of Allied  
Medical Professions**

**Bachelor of Science in  
Allied Health Professions**

Forty-six candidates

Janice Lynn Achberger, Akron  
Beth Sue Adelman, Canton  
Donna Rae Alvord, Middlefield  
Martha Mary Bohlen, Cincinnati  
Eugenia Elaine Calle, Akron  
Elizabeth Ann Carleton, Columbus  
Debra Kay Dahl, Sunset Lake, Mich.  
Norma Kathleen Dansby, Akron  
Marcia Burruss Duncan, Columbus  
Linda Sue Fleming, Ada  
Lucy Alice Frazier, Orient  
Cathy Marie Goers, Fairborn  
Sally Virginia Greer, Newark  
Cristine Sutter Hecht, Mansfield  
John Walter Heinz, Millersburg  
Judith Hirst Horton, Dayton  
Mary Jane Jolliff, Lafayette  
Lynne Ellen Jones, Fairview Park  
Sandra Lee Jones, Toledo  
Mary Elizabeth Kapcar, Marion  
Joyce Ann Killen, Columbus Grove  
Geri Anne Lazarus, Pittsburgh, Pa.  
Randall Lynn McColister, Columbus  
Carol Ann Mersfelder, Cincinnati  
Kathlyn Marie Miller, Cincinnati  
Cynthia Elaine Moore, Elyria  
Marsha Gay Newkirk, Lancaster  
Esther Deborah Nyer,  
University Heights  
Katherine Hannah Oates,  
Cumberland, Md.  
Darlene Rouch Olson, Warren, Pa.  
Donna Jeanne Petty, Navarre  
Cynthia Irene Pler, Columbus  
Kathryn Louise Ramm, Toledo  
Diane Lynn Robinson, Solon  
Joanne Irene Schmidt, Swanton  
Teresa Jean Schmidt, Columbus  
Neill Ann Schultz, Sandusky  
B.A.  
Debra Hicks Scurlock, Portsmouth  
Jeffery Lin Smith, Phoenix, Ariz.  
David Charles Stanley, Columbus  
Nancy Gottschling Stills, Lakewood  
Deborah Lee Warden, Dayton  
Janie Ellen Warfield, Newark  
Nancy Virginia Wharton,  
Youngstown  
Diane Heydinger Winger, Bucyrus  
Nancie Ellen Zetts,  
Broadview Heights

**Certificate of Nurse Anesthetist**

Three candidates

Veronica Gonzales Haverick,  
Columbus  
Gail Kathryn Larkin, Reynoldsburg  
Jean Frances Sens, Marion

**Certificate of Post Baccalaureate  
Medical Technologist**

Two candidates

Davis Middleton Stroop, Columbus  
B.S. (Ohio University)  
Peggy Coleman Wilson, Columbus  
B.A. (Fisk University); M.S.

**Certificate of Post Baccalaureate  
Physical Therapist**

Nineteen candidates

B.S. (Kent State University)  
Jack Ross Baker, Cadiz  
Mark Dorian Beissel,  
Ann Arbor, Mich.  
B.S. (University of Michigan)  
Deanna Lorenz Bukovec, Lakewood  
B.S. Nurs.  
Steve John Cygan, Toledo  
B.A., B.S. (University of Toledo)  
Joan Elizabeth Fette, Lancaster  
B.S.Ed. (Ohio University)  
Maria Teresa Frick, North Olmsted  
B.S. (Ohio University)  
Jay Steven Frye, Greencastle, Ind.  
B.A. (DePauw University)  
Frank Thomas Gargon, Medina  
B.S.Ed. (Kent State University);  
M.S. (University of Washington)  
Kay Augustine Graham, Keswick, Ia.  
B.A. (Grinnell College)  
Stuart Alan Harris,  
San Rafael, Calif.  
B.S.Ed. (University of Toledo)  
Michael Steven Jackson, Dayton  
B.S. (University of Dayton)  
Maurita Ann Johns, Centerville  
B.S. (Bowling Green State  
University)  
Daniel Frank Kahsar, Cincinnati  
B.S.Ed. (Miami University)  
Danetha Masters Kapral, Southington  
B.A. (Kent State University)  
Paul Randle Logan, Shaker Heights  
B.S.Ed. (Central State College)

Kathleen Anne Page, Rocky River  
B.S. (University of California,  
Davis)  
Mary Margaret Pope, Mechanicsburg  
B.S. (Saint Francis College)  
Mary Linda Sotak, Masury  
A.B. (Youngstown State  
University)  
Barbara Marie Walkowsky,  
North Olmsted  
B.A. (Kent State University)

**The School of Nursing**

**Bachelor of Science in Nursing**

Eighteen candidates

Rita Marie Armstrong, Columbus  
Gloria Jean Caprino, Marion  
Susan Cook Dawson, Columbus  
Jeanne Lorelei Grube, Middletown  
Lynne Anne Kanatas, Columbus  
Carole Jane Kientz, Grove City  
Miriam Lorene Kuhn, Columbus  
B.A., M.A. (Bob Jones University)  
Constance Lydia Loydall, Vermillion  
Lois Ellen Myers, Mt. Gilead  
Evaline Taylor Nicolls, Hudson  
Yvonne Eleanor Rawraway,  
Cleveland Heights  
Wanda Wynn Richard, Columbus  
Jenny Grabitz Roberts, Euclid  
Kathleen Chullie Santho, Columbus  
Rebecca Anson Schmidt, Springfield  
Karen Mae Smith, Lakewood  
Nancy Louise Stingley, Wilmington  
Elizabeth Clare Wagner, Barberton

**College of  
Veterinary Medicine**

Dean: C. Roger Smith, D.V.M.

**Doctor of Veterinary Medicine**

One candidate

Barbara Jude Jordan, Hamden, Conn.  
B.S. (University of New Hampshire)



## Graduates With Honors

### Summa Cum Laude

James Joseph Antal, Seven Hills  
Susan Oberschlake Bowen,  
Hamersville  
Wendy Lynette Bray,  
Wilmington, Del.  
Gloria Jean Caprino, Marion  
Claudia Reser Coe, Washington C. H.  
Dian Wiley Connert, Xenia  
Ray Landes Drusekis, Dayton  
Barbara Ann Everett, Lima  
Nena Eubanks Green, Columbus  
Louise Alice Grossner, Shaker Heights  
Eric Davis Gyllenhaal, Bay Village  
Janice Cooper Hartstein, Columbus  
Joan Elizabeth Hay, Poland  
Sharon Lou Hoelscher, New Knoxville  
Jean Vanluppen Hopkins,  
Worthington  
Barbara Cohen Isaacs, Columbus  
Ira Charles Kaplan, Cincinnati  
Judith Ann Loeber, Mansfield  
Kevin Charles McDonough, Elyria  
Mildred Downs Mitchell, Prospect  
Carol Sue Nack, Columbus  
Carol Riggle Nichols, Mansfield  
Katherine Hannah Oates,  
Cumberland, Md.  
Margaret Stewart Oxley, Columbus  
Phillips Timothy Ruffalo, Youngstown  
David Michael Schultz, Springfield  
Richard Lee Scott, Columbus  
David Allen Shafer, Columbus  
Sylvia Claire Smith, London  
David Alan Wagner, Euclid  
Elizabeth Clare Wagner, Barberton  
Ronita Lynn Wright, Mansfield

### Summa cum laude and with Distinction in Agricultural Economics

Carl Robert Zulauf, Nevada

### Summa cum laude and with Distinction in History

Minda Susan Frahm, Baltimore, Md.

### Summa cum laude and with Distinction in Psychology

Cheryl Ann Newton, Newark

### Cum Laude

Kenneth Melvin Barnes, Elyria  
Victoria Lynn Belfiglio, North Canton

Timothy J. Boone, Bellefontaine  
Eugenia Elaine Calle, Akron  
Kathleen Deanna Cannon, Columbus  
Priscilla Lynn Chamberlain,  
Bay Village  
Susan Cook Dawson, Columbus  
Timothy Todd Diemer, Worthington  
David Allen Dudley, Findlay  
Elizabeth Ann Duym,  
Little Silver, N. J.  
Pamela Powers Ervin, Columbus  
Kathleen Irene Evan, Mansfield  
Norman Ernest Facter  
Constance Love Fox, Pittsburgh, Pa.  
Timothy Lee Gardner, Zoar  
Denise Goodrich, Columbus  
Gary Michael Gorman, Columbus  
David James Harshman, Columbus  
Cristine Sutter Hecht, Mansfield  
Douglas Eugene Hill, Columbus  
Paula Christine Horvath,  
North Olmsted  
Loretta Jean Hummel, Columbus  
Janis Connin Jones, Columbus  
Roger Dwight Jones, Delaware  
Mary Elizabeth Kapear, Marion  
Robert Jay Kellerman, Columbus  
Keith Leroy Kemper, Columbus  
Sharon Elizabeth Kendall, Columbus  
Geri Ann Lazarus, Pittsburgh, Pa.  
Linda Chandler Lehman, Lima  
Janet Strunk Lobdell, Lima  
James Robert Luckhaupt, Columbus  
Joseph A. Malecki, Columbus  
Joseph William Marotta, Brook Park  
Colette Armstrong McCloskey,  
Columbus  
Robert Frederick Mitchell, Columbus  
John Edward Mosier, Columbus  
Karen L. Nielsen, Columbus  
Diana Lynn Oditt, Dayton  
Ann Marie Olson, Westerville  
John Edward Parsons, Norwood  
Robin Jean Rosenfeld, St. Louis, Mo.  
Rosemary Stefanka, Findlay  
Timothy John Thomas,  
Cuyahog Falls  
Stephen Farrell Tipton,  
San Diego, Calif.  
Tamela Anson Turner, Akron  
Richard Alan Vogt, Norwalk  
John Michael Walker, Lima  
Judith Ann Walter, Columbus  
Ronald Clinton Werner, Columbus  
Martin Fred White, Warren  
Jerry Lee Woodruff, Hilliard  
Claudia Irene Wren, Lima  
Mary Beth Zak, Brooklyn

### Cum Laude and With Distinction in Art

Russell Earl Douglass, Delaware

### Cum Laude and With Distinction in Comparative Literature

Susan Elaine McNally,  
Floral Park, N. Y.

### Cum Laude and With Distinction in Dairy Science

Mary Carol Joyce, Baden, Pa.

### Cum Laude and With Distinction in History

Joyce Spray Anderson, Columbus

### Cum Laude and With Distinction in Horticulture

Laura Lee Williams, Dayton

### Cum Laude and With Distinction in Natural Resources

Jeffrey Michael Reutter, Willoughby

### Cum Laude and With Distinction in Political Science

Steven Kendall Holloway, Columbus

### Cum Laude and With Distinction in Psychology

Jay Edward Fisher, Columbus

### Cum Laude and With Distinction in Speech Communication

Diane Paul Brown, Pittsburgh, Pa.

### With Distinction in Agricultural Economics

Gary Nelson Bovard, Utica  
Faustino Uchiri Ceama,  
Azangaro, Peru

Page 98 Blank

Page 99 Blank

Page 100 Blank

THE OHIO STATE UNIVERSITY  
OFFICIAL PROCEEDINGS OF THE  
ONE THOUSAND AND EIGHTY-NINTH MEETING  
OF THE BOARD OF TRUSTEES

Columbus, Ohio, September 7, 1973

The Board of Trustees met at its regular monthly meeting on Friday, September 7, 1973, at The Ohio State University Fawcett Center for Tomorrow, Columbus, Ohio, pursuant to adjournment.

Present: Don M. Hilliker, Chairman, James W. Shocknessy, William C. Safford, John H. Dunlap, John L. Gushman, Howard D. Sirak, Patricia D. James, and Chester Devenow.

\* \* \*

Minutes of the last meeting were approved.

\* \* \*

September 7, 1973 meeting, Board of Trustees

REPORT BY CHAIRMAN

Mr. Hilliker made the following statement:

I would like to say a few words which I believe are of importance to the Board. We have now had our first month of operation under the new committee structure and I want to take this opportunity to extend my thanks to those members who have expressed a willingness to take the time, and it will take a considerable amount of time and energy, to make this committee structure work. Some of you have already had to take off full days from your work and have driven many miles--I do want you to know that it is appreciated.

Mr. Harrod's Buildings and Grounds Committee met on August 21 in Lima which I understand was a very fruitful meeting. Later in the agenda I would like to have just an informal report from Mr. Devenow since Mr. Harrod has been called out of the state.

Mr. Gushman's Educational Affairs Committee met in Lancaster last Friday following the Summer Commencement and spent a considerable amount of time discussing the President's organizational plan. I was present and I thought it was a fine meeting. I will ask Chairman Gushman also to report later this afternoon on that meeting.

Mr. Safford's Finance Committee met today at 1:00 p.m. I have said this before and I want to say it again, I have a very comfortable feeling with Bill Safford as Chairman of this Committee.

As I said at the beginning, I realize that this committee approach is certainly not the answer to all Board problems. And I'm sure that it probably has some rough spots in it. But it was not pulled out of a hat. There was considerable study given to some 25 or 30 committee-oriented Boards before this structure was proposed, and I intend to give it a fair trial during my term as Chairman which will end May 1974. Now that you have had an opportunity to work with this committee structure--I would appreciate your thinking. Do you like it--what is good or bad about it?

In response to Mr. Hilliker's question, Mrs. James indicated that earlier this year she had attended the meeting of the Association of Governing Boards. In the round table discussions as well as in informal discussions, differing policies of various universities were examined. She found that other participants expressed some astonishment that this University's Board was able to operate effectively working without a committee structure but as a Committee of the Whole. Mrs. James expressed the belief that the committee structure will help the Board fulfill its statutory responsibility and its responsibility to the University community.

Mr. Safford indicated that he was well satisfied with the existing committee structure.

Mr. Devenow said he thought it is an effective way to "zero in on" some educational problems. It also affords, in his opinion, an opportunity to brief each other on the various problems being reviewed by the various committees.

September 7, 1973 meeting, Board of Trustees

REPORT BY CHAIRMAN (continued)

Mr. Dunlap said that while his committee had not as yet had a meeting that they would be having one shortly. He expressed his enthusiasm for the committee structure as exemplified by the Educational Affairs Committee meeting which he had attended.

Mr. Hilliker then asked Mr. Shocknessy if he wished to pursue any questions concerning the Board's committee structure.

Mr. Shocknessy said that he wished to clarify one point and that was that the Board had prior to this year had committees. He also stated that he had raised several questions concerning the committee structure in a letter to the Secretary since this information had been forwarded to him by the Secretary and that he had not received a response to his letter except for an acknowledgment.

Mr. Hilliker responded that while it was correct that the Board has always had one or two committees, the Board had not heretofore been committee structured so as to enable it to "zero in on" specific problems. He also stated that according to the Board minutes of the July 6 meeting, Mr. Shocknessy did approve of the committee structure since it was indicated to be a unanimous vote.

Mr. Shocknessy again raised the question of the lack of a response to his letter.

Mr. Hilliker then indicated there are a couple of things that needed to be said and as Chairman he was going to say them. "I guess they have to do with what I consider to be my policy as your Chairman for the next nine months. I want the Board to feel free at any time to call me day or night if there is anything that you wish to discuss. I want the Board to feel free at any time to write me. I will take time off and I will sit down with you and discuss whatever issue is of concern to you. I cannot promise you that I will have the answers because I am sure that in most cases I will not, but I can promise you that I will try to get the answers for you. However, I will not, and I repeat, I will not answer copies of letters that are sent to me and addressed to someone else."

Mr. Shocknessy said he had addressed a letter to the Secretary of the Board and asked him to deliver it to Mr. Hilliker.

Mr. Hilliker in response said that Mr. Shocknessy had his address and if he wished any communication with him to write him directly.

Mr. Shocknessy said that he had written Mr. Hilliker an earlier letter and that he had yet to receive a response to it.

Mr. Hilliker replied that he was prepared to discuss any letter he had a copy of today or any time. And further, that he wanted any Board member not to hesitate at any time to discuss any issue frankly and fully at the Board meetings. He said, however, that he would not permit in his remaining time as Chairman anybody on the Board, on the staff, or persons attending the meetings to clutter up issues, take time with nitpicking, with headline seeking, or with trivia. He reiterated that he was available for discussion or any assistance that he might be able to give.

- o -

September 7, 1973 meeting, Board of Trustees

RESOLUTIONS IN MEMORIAM

President Enarson reported to the Board the deaths of Jane Barton, Instructor in the Cooperative Extension Service; Harry W. Cordell, Associate Professor Emeritus in the College of Administrative Science, James F. Fullington, Professor Emeritus in the Department of English; David M. Harrison, Professor Emeritus in the Department of Economics; John G. Ketterer, former Member and Chairman of the Board of Trustees; George Elwyn Large, Professor Emeritus in the Department of Civil Engineering; Richard M. Mall, Director of Alumni Affairs, Executive Director of The Ohio State University Development Fund, Editor of The Ohio State University Monthly, and Professor of Speech Communication; Harry W. Rogers, Professor Emeritus in the Department of Romance Languages; Wilbur M. Tidd, Professor in the Department of Zoology; S. Rains Wallace, Professor and Chairman in the Department of Psychology; and Eugene J. Weigel, Professor and Director Emeritus in the School of Music. In accordance with the instructions of the Board of Trustees, copies of the following resolutions expressing on behalf of the University the sorrow and sympathy of the Board will be furnished the families of the deceased.

A. Jane Barton

The Board of Trustees of The Ohio State University expresses its sorrow at the untimely death on May 16, 1973, of Jane Barton, Instructor in the Cooperative Extension Service.

Mrs. Barton was born June 29, 1913, on a farm near Sycamore, Ohio. She was graduated from Sycamore High School in 1931 and married Charles Barton May 25, 1931. The Bartons farmed and operated several businesses.

With the opening of the Marion Branch Campus of The Ohio State University, Jane Barton started her college training. She transferred to Heidelberg College, Tiffin, receiving her B. A. degree in home economics in 1963. She joined the Cooperative Extension Service on June 16, 1963. In August 1969, she completed her M. S. degree at The Ohio State University specializing in clothing.

Mrs. Barton loved her work and was especially effective in working with the disadvantaged. She influenced many girls to seek careers in home economics. She was an active member of the Ohio Cooperative Extension Agents Association, the Ohio Home Economics Association, and the American Home Economics Association serving as a committee member of the latter association.

On behalf of the University community, the Board of Trustees expresses its deepest sympathy to the family of Mrs. Barton. It was directed that this resolution be inscribed in the minutes of the Board of Trustees and that a copy be tendered to Mr. Barton as sincere appreciation of the loss which the family, the University, and her many friends and associates have sustained.



RESOLUTIONS IN MEMORIAM (continued)

B. Harry W. Cordell

The Board of Trustees expresses its sorrow at the death on July 17, 1973, of Harry W. Cordell, Associate Professor Emeritus in the College of Administrative Science.

Born in Moundsville, West Virginia, in 1883, Dr. Cordell received a Ph. B. from Hiram College in 1908. He was Pastor of the Fourth Street Christian Church in Harrisburg, Pennsylvania, the following year and of the Northside Christian Church in Cincinnati from 1909 to 1913. He left the ministry in 1913 for graduate study at the University of Chicago, receiving his A. M. in 1915.

Dr. Cordell began his teaching career at Washington State College in 1917 and served as Chairman, Department of Economics and Business Administration from 1920 to 1927. He came to Ohio State under a University Fellowship in 1927 and was awarded a Ph. D. in 1930. He began his teaching career in 1928 and continued until his retirement in 1953. His primary interest was in advertising, and he was a member of the Advertising Club of Columbus for many years. He was an honorary member of Theta Chi and Phi Kappa Phi fraternities.

Although he had left the ministry, Dr. Cordell remained active in the church, serving as Elder and Chairman of the Board of West Fourth Avenue Church of Christ in Columbus. He was an active Mason, a past Master of the University Lodge #631 in Columbus, and also belonged to the York Rite. His primary hobby was music, and he had a large collection of records.

On behalf of the University, the Board of Trustees expresses to the family its deep sympathy and sense of understanding in its loss. It was directed that this resolution be inscribed upon the minutes of the Board of Trustees and that a copy be tendered to the family as a humble expression of the Board's heartfelt sympathy in its bereavement.

C. James F. Fullington

The Board of Trustees of The Ohio State University expresses its sorrow at the death on July 14, 1973, of James F. Fullington, Professor Emeritus in the Department of English.

Professor Fullington was born in Marysville, Ohio, in 1895. A 1916 graduate of this University, he served with distinction in France during the first World War. He received a M. A. from The Ohio State University, a second M. A. from Harvard University, and a Ph. D. from Ohio State. He was a member of the faculty of this University from 1922 until his retirement in 1965. From 1936 until 1952, the rapidly changing years of depression, war, and the post-war expansion of the University, he was Chairman of the English Department; in those years, in the words of one of his successors, he turned "an inferior, provincial" department into "one of the major departments in the country."

RESOLUTIONS IN MEMORIAM (continued)

C. James F. Fullington (continued)

He provided administrative leadership, an atmosphere conducive to excellence in teaching and research, and the warmth of personal friendship for the distinguished faculty he brought to the University. In 1952 he became Dean of the Arts and Sciences College, serving with distinction in that post until 1957.

Although he was a great administrator and scholar, Professor Fullington will perhaps best be remembered as a teacher. He was regarded with affection and respect by generations of students, especially the many who took his highly popular course in The Bible, which he taught regularly even during his many years as an administrator. His achievements as a teacher were recognized when he received, in 1965, the Alumni Award for Distinguished Teaching.

On behalf of the University, the Board of Trustees expresses to the family its deep sympathy and sense of understanding in its loss. It was directed that this resolution be inscribed upon the minutes of the Board of Trustees and that a copy be tendered to the family as a humble expression of the Board's heartfelt sympathy in its bereavement.

D. David M. Harrison

The Board of Trustees of The Ohio State University expresses its sorrow at the death on June 17, 1973, of David M. Harrison, Professor Emeritus in the Department of Economics.

Professor Harrison was born in Loyalhanna, Pennsylvania, on March 21, 1902. He received the B. S. degree from Ursinus College in 1929, having been engaged in several business employments before his college years. He received the M. A. degree in 1933, and the Ph. D. degree in 1940 from Duke University. He was appointed as Instructor of Economics at Duke University in 1933 and at The Ohio State University in 1934. In 1942 he transferred to war work with the U. S. Office of Price Administration, returning to Ohio State in 1944 as Assistant Professor of Economics. From 1946 to 1959 he was an Associate Professor of Economics, and from 1959 until his retirement in 1970 he was a full Professor. He was also a Visiting Professor at the University of California at Berkeley in 1946 and at Ohio Wesleyan University in 1958 and 1959. He was Staff Economist at the Air Force School of Logistics from 1954 to 1963, and Consultant to the Economic Mobilization Branch, Industrial College of the Armed Forces in 1956.

The official record of "Dave" Harrison's life, however, doesn't quite capture its real quality to those who lived and worked with him over the decades at Ohio State. The one word seemingly most strongly projected by that life is sincerity. There was nothing "catchy" or flamboyant or pretentious about the man. Fads come and go among professional economists, as elsewhere in life, but they touched David Harrison lightly, if at all. "Publish or perish" could pass as the guiding rule for academic advancement, but to Dave, it had to take inferior status to the central focus of higher education upon the endless

RESOLUTIONS IN MEMORIAM (continued)

D. David M. Harrison (continued)

task of assisting young inquirers gain for themselves both broader and deeper understandings of their chosen fields of work. The Harrison office door was always open, as was the willingness of the man at the desk to talk at any length to any student who felt the need of his counsel. David Harrison never lacked for students of a quieter, more serious type who appreciated his sincerity and scholarly competence.

On behalf of the University, the Board of Trustees expresses to the family its deep sympathy and sense of understanding in its loss. It was directed that this resolution be inscribed upon the minutes of the Board of Trustees and that a copy be tendered to the family as a humble expression of the Board's heartfelt sympathy in its bereavement.

E. John G. Ketterer

The Board of Trustees expresses its sorrow upon the death on August 8, 1973, of its former member and Chairman, John G. Ketterer, of North Canton.

Mr. Ketterer served as a Trustee of this University from 1963 to 1971, the last two years as Chairman. At the completion of his Board membership, he continued his distinguished service to his alma mater by accepting an appointment as the citizen-at-large member and the Chairman of the Consultative Committee to Advise in the Selection of a President. He directed this activity until early in 1972 when illness necessitated his resignation.

He had been active also in alumni affairs and had served as President of the University Alumni Club of Stark County.

Born in Woodsfield, Ohio, Mr. Ketterer attended Villa Nova College briefly before entering Ohio State, where he received the Bachelor of Arts and the Juris Doctor degrees. He was elected to the Order of the Coif.

He entered the practice of law in Canton in 1925, specializing in general corporation practice and labor law, and rose to become a senior partner in the law firm of Day, Ketterer, Raley, Wright & Rybolt.

His many civic services included membership on the Board of Advisors of Walsh College and the Board of Trustees of Timken Mercy Hospital. He also had served as a Director of the Ohio Ferro-Alloys Corporation.

On behalf of The Ohio State University community, the Board of Trustees expresses its great sense of loss and deepest sympathy to Mrs. Ketterer and the sons and daughters. It was directed that this resolution be inscribed in the minutes of the Board of Trustees and that copies be tendered the family as sincere expressions of the Board's sense of understanding of the loss which the family and the University have sustained.

RESOLUTIONS IN MEMORIAM (continued)

F. George Elwyn Large

The Board of Trustees of The Ohio State University expresses its sorrow at the death on June 28, 1973, of George Elwyn Large, Professor Emeritus in the Department of Civil Engineering.

Professor Large was born in Whigville, Ohio, July 20, 1899. He received his Bachelor of Science Degree in Civil Engineering and his Professional Degree, Civil Engineer, from the University of Washington in 1922 and 1929 respectively.

Professor Large began his service to The Ohio State University in 1923 as an Instructor in the Department of Engineering Drawing. From 1924 to 1929 he served as an Assistant Production Engineer with the Buckeye Steel Castings Co. He returned to The Ohio State University in 1929 as an Assistant Professor in Civil Engineering and as a Research Engineer with the Engineering Experiment Station. He was promoted to Associate Professor in 1934 and to Professor in 1942. He served as Chairman of the Department of Civil Engineering from 1947 until 1953 when he returned to full time teaching as Professor. Upon his retirement in 1964 he became Professor Emeritus. Also during the above period of time he served as Structural Engineering Consultant to the University Architect, and to many private consulting and industrial firms.

Professor Large was nationally recognized as an authority on reinforced concrete. His book, Basic Reinforced Concrete Design, first published in 1950, became the leading text in its field. The second edition followed in 1957 and the third edition (with co-author T. Y. Chen) in 1969. He was author and co-author of four Engineering Experiment Station Bulletins and of many technical papers and reports. He was a member of Sigma Xi, Tau Beta Pi, Chi Epsilon, Triangle Fraternity and Texnikoi. He was a member of the American Society for Engineering Education, a Fellow in the American Society of Civil Engineers (President of the Central Ohio Section in 1947) and a member of the American Concrete Institute, in which he was active as a member and chairman of various committees. He was listed in Who's Who in America.

Professor Large developed and taught courses in reinforced concrete design, plain concrete, materials, soils, and engineering problems. He was a perfectionist in his work and expected the same from his students. His contributions to the profession were important and reflected his ideals as a teacher and as an engineer.

On behalf of the University, the Board of Trustees expresses to his family its deepest sympathy and sense of understanding in its loss. It was directed that this resolution be inscribed upon the minutes of the Board of Trustees and that a copy be tendered to the family as a humble expression of the Board's heartfelt sympathy in its bereavement.

RESOLUTIONS IN MEMORIAM (continued)

G. Richard M. Mall

The Board of Trustees of The Ohio State University expresses its sorrow at the death on August 28, 1973, of Dr. Richard M. Mall, Director of Alumni Affairs, Executive Director of The Ohio State University Development Fund, Editor of The Ohio State University Monthly, and Professor of Speech Communication.

Dr. Mall was born in Cambridge, Massachusetts, on January 15, 1919. He received his Bachelor of Science Degree in Industrial Journalism from Kansas State University in 1940 and both his M.A. and Ph. D. degrees from The Ohio State University in 1949 and 1952 respectively.

Dr. Mall began his association with The Ohio State University in 1947 after serving as Associate Professor of Speech at Kansas State University and as an officer with the Ninth Armored Division in Europe during World War II.

During his years of graduate study at Ohio State he served as an Instructor in Speech and as Assistant to the President of Peoples Broadcasting Co., and as Director of Public Affairs for WLW-C Television, Columbus.

He was named Director of Alumni Affairs, Executive Director of The Ohio State University Development Fund and Editor of The Monthly in 1967 by the Board of Directors of The Ohio State University Association. He retained his faculty appointment in the Department of Speech Communication and continued to guide and counsel graduate students, while directing the variety of activities involving the more than 50,000 members of the Alumni Association, and the 35,000 supporters of the Development Fund.

His distinguished listing of civic and community service included membership on the Board of Governors of the Columbus chapter of the National Academy of Television Arts and Sciences, Radio and Television Coordinator for two Statehouse Conferences on Education, Director of the Advance Placement Program for Ohio, Chairman of the Christmas Seal Campaign in Franklin County, Chairman of the Easter Seal Campaign in Franklin County, Chairman of the Council on Intercultural Education for the Columbus Board of Education, and founder of the Motorists and Pedestrian Safety Campaign conducted throughout Metropolitan Columbus.

A devoted family man, he was active in the affairs of Maple Grove United Methodist Church in Columbus and served as President of the PTA at Whetstone High School in Columbus.

For many years he had been featured as Judge Merrill on the Columbus television program, "Traffic Court," and won many plaudits for his portrayal on that entertaining and informative program.

He will be long remembered by thousands within and without the University community--his faculty and administrative colleagues, his students, the many members of the alumni body, and faithful television viewers--for his facile

RESOLUTIONS IN MEMORIAM (continued)

G. Richard M. Mall (continued)

and captivating delivery, the wisdom of his words, the timeliness of his thoughts and above all, his enthusiasm for the cause of higher education and his total dedication to improvement of the world about him.

On behalf of the University, the Board of Trustees expresses to the family its deep sympathy and sense of understanding in its loss. It was directed that this resolution be inscribed upon the minutes of the Board of Trustees and that a copy be tendered to the family as a small and humble expression of the Board's heartfelt sympathy in its bereavement.

H. Harry W. Rogers

The Board of Trustees of The Ohio State University expresses its sorrow at the death on July 9, 1973, of Harry W. Rogers, Professor Emeritus in the Department of Romance Languages.

A native of Dayton, Ohio, Professor Rogers' long association with The Ohio State University began as an undergraduate student in 1916 and continued until his retirement in 1968. He completed his degree program with a B. A. in 1925 and M. A. in 1928 and began his teaching career in the Department of Romance Languages in 1925. Besides his duties as a teacher of Spanish, Professor Rogers served for many years as coordinator of language instruction for French and Spanish.

In 1952, he participated with Professors Kenneth Abbott and the late John B. Titchener of the Department of Classics, in the preparation of a series of courses that eventually led to the establishment of the Division of Comparative Literature. Professor Rogers served as Chairman of the Division from its inception to the time of his retirement.

On behalf of the University, the Board of Trustees expresses to his family its deep sympathy and sense of understanding in its loss. It was directed that this resolution be inscribed upon the minutes of the Board of Trustees and that a copy be tendered to the family as a humble expression of the Board's heartfelt sympathy in its bereavement.

I. Wilbur M. Tidd

The Board of Trustees of The Ohio State University expresses its sorrow at the death on June 30, 1973, of Wilbur M. Tidd, Professor of Zoology, Department of Zoology, College of Biological Sciences.

Dr. Tidd was born in McGuffey, Ohio, on October 4, 1903. He completed his college preparatory course at Alger High School and went on to earn all three of his degrees at The Ohio State University; the Ph. D. was awarded in 1937. His association with The Ohio State University began in 1927 when he was appointed as a Teaching Assistant. He was promoted through the academic ranks and became a Professor of Zoology in 1956.

RESOLUTIONS IN MEMORIAM (continued)

I. Wilbur M. Tidd (continued)

His colleagues will remember him as an enthusiastic, energetic teacher who was constantly concerned about students, their learning processes and personal contact. Parents of his students wrote letters indicating their gratitude for his personal attention to student problems. His most recent teaching assignment involved lecturing on evolution to large classes of a hundred or more students. He tried to give each and every one of them the same personal attention when they came to him for assistance. Many of the students were pre-professional majors in Zoology and Dr. Tidd was always careful to prepare personal and detailed letters of recommendation to professional schools.

Dr. Tidd, in recent years, became very active in a research program involved with the description, identification and quantification of whirling disease (Myxosoma) in trout. His methods and techniques have been adopted throughout North America and he was constantly sought-after as a speaker and visitor to federal and state hatcheries and fish disease laboratories. He published over 30 technical papers, many of them in recent years as a result of his unique research on fish diseases. His enthusiasm was infective and he was anxious to enlarge and expand his research projects and programs.

Dr. Tidd was a member of six professional societies and was elected a Fellow of the Ohio Academy of Science and The American Association for the Advancement of Science. He was listed as a scientist in Who's Who and in the American Men of Science. He gave unselfishly of his time and effort when it came to University Committee assignments serving for several years on the Executive Committee of the Graduate School and the Conference Committee of the Teaching Staff.

On behalf of the University, the Board of Trustees expresses to the family its deep sympathy and sense of understanding in its loss. It was directed that this resolution be inscribed upon the minutes of the Board of Trustees and that a copy be tendered to the family as a small and humble expression of the Board's heartfelt sympathy in its bereavement.

J. S. Rains Wallace

The Board of Trustees of The Ohio State University expresses its sorrow at the death on August 28, 1973, of S. Rains Wallace, Professor and Chairman of the Department of Psychology, College of Social and Behavioral Sciences.

Dr. Wallace was born in McMinnville, Tennessee, on December 19, 1913. He will be remembered for his teaching. His classroom career began with his appointment as Instructor in Psychology at The Ohio State University in 1936. He taught at Tulane and Yale Universities and returned to campus teaching at Ohio State in 1970. At the Life Insurance Agency Management Association (LLAMA) in Hartford, Connecticut, he established and supported a large, effective educational division. But his finest teaching took place in the daily contacts he had with hundreds of friends and associates. The

RESOLUTIONS IN MEMORIAM (continued)

J. S. Rains Wallace (continued)

mark of his teaching was not just the breadth of his knowledge, the excellence of his preparation, or the skillfulness of his presentation, but it is found in the mastery, the achievement, the growth, and the understanding of his students.

Dr. Wallace's career as a scholar began at the University of Virginia where he received his bachelor's degree in 1934, his master's degree in 1935, and the doctorate in 1937. His work on vision and perception was published in the finest journals of the day. Early in his career he established a pattern which he followed throughout his life: he not only engaged in scholarly work on his own, but he also took responsibility for supporting the scholarship of others. During World War II he headed research efforts on the selection of the air crew members, and at LIAMA he built what is today the world's finest center for the application of psychological methods and theories to organizational problems. His work on employee selection and development is a model of scholarly effort. Dr. Wallace wrote extensively, and was editor of Personnel Psychology. Running throughout his scholarship was the vision that research and application are interdependent.

Dr. Wallace was a wise and effective leader, and his skills were widely known and admired. They were manifest in his work in the Army Air Corps, as Chairman of Psychology at Tulane, as Vice President for Research at LIAMA, as Behavioral Science Advisor to the Secretary of Defense, as President of the American Institutes for Research and as Chairman of Psychology at The Ohio State University.

On behalf of the University, the Board of Trustees expresses to the family its deep sympathy and sense of understanding in its loss. It was directed that this resolution be inscribed upon the minutes of the Board of Trustees and that a copy be tendered to the family as a small and humble expression of the Board's heartfelt sympathy in its bereavement.

K. Eugene J. Weigel

The Board of Trustees of The Ohio State University expresses its sorrow at the death on August 11, 1973, of Eugene J. Weigel, Professor and Director Emeritus of the School of Music.

Professor Weigel was born in Cleveland, Ohio, in 1894. He was educated in the Cleveland Public Schools, Columbia University, the Institute of Music in Berlin, and The Ohio State University from which he received both the Bachelors and Masters degrees.

Professor Weigel taught in the Cleveland Public Schools from 1923 to 1928 and was appointed Professor in the Department of Music at The Ohio State University in 1929. In 1940 he was named Chairman of the Department and in 1945, Director of the newly formed School of Music in which position he served until his retirement in 1959.



RESOLUTIONS IN MEMORIAM (continued)

K. Eugene J. Weigel (continued)

Professor Weigel's name will always be intimately associated with The Ohio State University Marching Band, which he developed into one of the finest organizations of its kind in the nation and which subsequently has exerted profound influence on marching band techniques and styles throughout the world. During his tenure as chief music administrator at the University, the Department of Music achieved the status of a School, enjoyed a three-fold increase in faculty and student body, enlarged its curriculum to embrace all the traditional areas of music instruction, was granted membership in the National Association of Schools of Music, and attained an enviable reputation for the excellence of its total music programs. Professor Weigel not only served as conductor of the Marching Band but was also, for some years, conductor of the University Symphony Orchestra and the University Concert Band. Under his directorship these ensembles performed innumerable concerts on campus, in downtown Columbus, and in various communities throughout Ohio.

Professor Weigel was extremely active in the cultural life of Columbus and occupied, among others, the positions of Conductor of the Columbus Civic Opera Company from 1933 to 1937 and President of the Columbus Philharmonic Association from 1943 to 1945. He was always a vigorous leader in the field of music education, both in the state and nation, and was recognized for his accomplishments in this area when he received the Ohio Music Education Association's distinguished service award in 1957.

Professor Weigel's many and varied contributions to music at The Ohio State University and to the profession of music in general will long be remembered and valued by his many colleagues, friends, and students. His fundamental integrity and vigor, his deep sense of discipline, and his forthrightness are qualities that guided and counseled both his faculty and students.

On behalf of the University, the Board of Trustees expresses to his family its deep sympathy and sense of understanding in its loss. It was directed that this resolution be inscribed upon the minutes of the Board of Trustees and that a copy be tendered to the family as a humble expression of the Board's heartfelt sympathy in its bereavement.

\*

\*

\*

President Enarson presented the following recommendations:

September 7, 1973 meeting, Board of Trustees

I. GENERAL RECOMMENDATIONS

A. Budget Statement

President Enarson made the following statement:

At the June meeting, this Board, at my request, approved a provisional budget for this current year since we had not at that time received our appropriation from the General Assembly. The General Assembly has now enacted an appropriation bill for the 1973-1975 biennium as well as a separate bill mandating pay increases for classified personnel. The 1973-1974 budget, which I am now presenting for your consideration, reflects the following substantial changes from the previously approved budget.

Income

The instructional subsidy provided by the State is slightly above what was previously anticipated both for the Columbus campus and regional campuses. There was also included a supplemental appropriation which will assist in funding classified employee special pay increases provided by the General Assembly. Earlier estimates of income from federal grants and contracts have been revised upward based upon increased activity in this area. And, there have been increases in both federal and state appropriations for Cooperative Extension. Finally, this budget has been generally modified upward to reflect increased rates. These increases are necessary to provide for classified pay increases mandated by the 110th General Assembly.

Expense

The expense budget for the Columbus campus, our regional campuses, and our auxiliary operations, now include the cost of increases for classified salaries and wages and related benefits. The budget also reflects increased expenses because of increased volume in federal grants and contracts. Also, the personnel services and operating budget for the Columbus campus have been adjusted to incorporate mandated Federal minimum wage increases, and utility and other rate increases, from funds which have previously been shown in the reserve category.

I. GENERAL RECOMMENDATIONS (continued)

A. Budget Statement (continued)

President Enarson's statement (continued)

Expense (continued)

This budget is balanced. A minimal, but adequate general reserve, of \$2 million is provided. Assuming our current enrollment estimates are reasonably accurate and assuming there will be no dramatic court decisions which directly affect non-resident fees, this is a workable budget. We are particularly pleased that it has not been necessary to increase the student fees. Indeed, we have decreased the part-time fees. We are also pleased that we have been able to provide a substantial increase to our classified personnel. Even though these increases were substantially more than anticipated in our provisional budget, they are well deserved. We regret, however, that we were unable to provide the same level of increases for instructional and professional staff. The average increase of 4% does not even enable our people to maintain the purchasing power they had last year. The impact of inflation continues to be severe and we cannot in good conscience be satisfied with this year's increase to our faculty and administrative and professional personnel. Unfortunately, this situation is further complicated by the inequities created to a number of these people by the classified service increases mandated by the General Assembly. To the limit of our resources, we will do our utmost to eliminate at least some of the greatest of such inequities during the year.

General Financial Planning for the  
Second Year of the Biennium

The State subsidy support formula contained in Amended Substitute House Bill 86, provides for the first time an increase in the support factors in the second year of the biennium. This represents a departure from the previous biennia. It will no longer be necessary for the University to set aside funds from the first year's budget so as to provide for the second year increases. Part of the anticipated increase in subsidy for the second year of the biennium will be offset by projected decreases in enrollment making necessary further budgetary retrenchments. At the same time it is essential that we improve substantially the salaries

BUDGETS FOR THE 1973-74 YEAR

	Actual 1972-73*	Provisional Budget 1973-74	Proposed Budget 1973-74
<b>Current General Unrestricted</b>			
Columbus Campus			
Personnel Services	\$100,546,970	\$ 99,451,000	\$101,206,000
Operating and Equipment	22,360,196	21,414,000	22,060,000
All Other	8,679,258	6,904,000	5,756,000
Total Columbus Campus	<u>\$131,586,424</u>	<u>\$127,769,000</u>	<u>\$129,022,000</u>
Regional Campuses			
Administration	\$ 115,000	\$ 131,000	\$ 131,000
Lima Campus	1,394,096	1,387,000	1,401,000
Mansfield Campus	1,378,325	1,293,000	1,306,000
Marion Campus	830,053	842,000	851,000
Newark Campus	1,041,292	1,167,000	1,177,000
Agricultural Technical Institute	251,547	669,000	671,000
Total Regional Campuses	<u>\$ 5,010,313</u>	<u>\$ 5,489,000</u>	<u>\$ 5,537,000</u>
Departmental Earnings	\$ 4,892,157	\$ 5,323,000	\$ 5,323,000
University Services	2,173,346	2,133,000	2,133,000
Research Foundation Administration	1,445,527	1,530,000	1,530,000
Total Unrestricted	<u>\$145,107,767</u>	<u>\$142,244,000</u>	<u>\$143,545,000</u>
<b>Current General Restricted</b>			
Endowments	\$ 963,286	\$ 1,000,000	\$ 1,000,000
Mershon Center	660,795	700,000	700,000
Federal Grants and Contracts	42,899,750	40,795,000	41,295,000
Ohio Grants and Contracts	2,269,886	2,200,000	2,200,000
Engineering Experiment Station	1,501,982	1,735,000	1,735,000
Development Fund	2,976,472	3,100,000	3,100,000
Other Private Gifts and Grants	1,949,454	1,834,000	1,834,000
Conference Accounts	1,166,113	1,200,000	1,200,000
Total Restricted	<u>\$ 54,387,738</u>	<u>\$ 52,564,000</u>	<u>\$ 53,064,000</u>
<b>Current General Auxiliaries</b>			
Cooperative Extension	\$ 11,672,902	\$ 11,856,000	\$ 12,317,000
University Hospitals	43,633,353	44,900,000	46,721,000
Student Housing	13,778,866	12,978,000	12,994,000
Intercollegiate Athletics	4,951,400	4,174,000	4,809,000
University Bookstores	2,899,605	2,547,000	2,630,000
Student Unions	1,801,169	1,838,000	1,838,000
Parking Facilities	1,629,912	1,481,000	1,480,000
Fawcett Center	912,293	1,020,000	922,000
Facilities Services	2,228,524	1,959,000	1,974,000
Dairy and Meat Laboratories	2,150,056	2,076,000	2,076,000
University Airport	805,763	972,000	972,000
Other	531,268	509,000	509,000
Total Auxiliaries	<u>\$ 86,995,111</u>	<u>\$ 86,310,000</u>	<u>\$ 89,242,000</u>
Total Current General Funds	<u>\$286,490,616</u>	<u>\$281,118,000</u>	<u>\$285,851,000</u>

\*Subject to minor adjustments when final accrual accounting is completed.

SOURCES OF INCOME FOR 1973-74 BUDGET

	Actual 1972-73	Provisional Budget 1973-74	Proposed Budget 1973-74
<b>Current General Unrestricted</b>			
Columbus Campus			
Instructional Subsidy	\$ 67,870,839	\$ 70,638,000	\$ 72,417,000
Student Fees	44,085,167	43,814,000	43,614,000
Carry Forward from Previous Year	4,449,069	-0-	-0-
Earnings Operations	5,377,050	4,718,000	4,718,000
Temporary Investments	1,739,879	1,700,000	1,700,000
All Other	3,421,780	1,616,000	1,616,000
Total Columbus Campus	<u>\$126,943,784</u>	<u>\$122,486,000</u>	<u>\$124,065,000</u>
Regional Campuses			
Lima Campus	\$ 1,566,289	\$ 1,576,000	\$ 1,572,000
Mansfield Campus	1,428,227	1,463,000	1,482,000
Marion Campus	854,870	954,000	985,000
Newark Campus	1,153,301	1,318,000	1,326,000
Agricultural Technical Institute	344,003	748,000	770,000
Total Regional Campuses	<u>\$ 5,346,690</u>	<u>\$ 6,059,000</u>	<u>\$ 6,135,000</u>
Departmental Earnings	\$ 5,566,819	\$ 5,419,000	\$ 5,419,000
University Services	1,910,305	2,144,000	2,144,000
Total Unrestricted	<u>\$139,767,598</u>	<u>\$136,108,000</u>	<u>\$137,763,000</u>
<b>Current General Restricted</b>			
Endowments	\$ 1,624,081	\$ 1,700,000	\$ 1,700,000
Federal Grants and Contracts	47,058,660	45,000,000	45,500,000
Ohio Grants and Contracts	2,269,886	2,200,000	2,200,000
Engineering Experiment Station	1,613,840	1,865,000	1,865,000
Development Fund	2,976,472	3,100,000	3,100,000
Other Private Gifts and Grants	1,966,107	1,850,000	1,850,000
Conference Accounts	1,166,113	1,200,000	1,200,000
Total Restricted	<u>\$ 58,675,159</u>	<u>\$ 56,915,000</u>	<u>\$ 57,415,000</u>
<b>Current General Auxiliaries</b>			
Cooperative Extension	\$ 11,672,902	\$ 11,856,000	\$ 12,317,000
University Hospitals	45,095,126	46,636,000	48,515,000
Student Housing	13,778,866	12,994,000	12,994,000
Intercollegiate Athletics	4,951,400	4,809,000	4,809,000
University Bookstores	2,899,605	2,630,000	2,630,000
Student Unions	1,357,319	1,439,000	1,439,000
Parking Facilities	1,629,912	1,480,000	1,480,000
Fawcett Center	912,293	867,000	922,000
Facilities Services	2,228,524	1,974,000	1,974,000
Dairy and Meat Laboratories	2,150,056	1,926,000	2,076,000
University Airport	840,588	1,008,000	1,008,000
Other	531,268	476,000	509,000
Total Auxiliaries	<u>\$ 88,047,859</u>	<u>\$ 88,095,000</u>	<u>\$ 90,673,000</u>
Total Current General Funds	<u>\$286,490,616</u>	<u>\$281,118,000</u>	<u>\$285,851,000</u>

September 7, 1973 meeting, Board of Trustees

I. GENERAL RECOMMENDATIONS (continued)

A. Budget Statement (continued)

President Enarson's statement (continued)

General Financial Planning for the  
Second Year of the Biennium (continued)

of our faculty and professional administrative personnel next year. This will require still further retrenchment. We are initiating a comprehensive review of all existing commitments of this University to see where such further cutbacks can most appropriately be made. With a broad base of cooperation and support from all the various units within this University, barring failures in anticipated enrollment projections, or additional inflationary pressure, I believe that it is possible to identify the necessary resources to support a salary plan which will place our people in a more competitive position. I hope to be back to you with such a plan at an early date.

Actual 1972-73 Expenses

The financial schedules which have been presented to you reflect actual income and expenses for the 1972-1973 year subject to minor adjustments when financial accrual statements are available. The only significant changes include an increase in federal grants and contract volume which contributed almost \$2 million toward the overall \$3 million increase. Increased activity in auxiliary operations accounted for the remainder. This final income and expense statement varied less than 1% from the amount estimated in our June presentation.

Upon motion of Mr. Safford, seconded by Dr. Sirak, the Board of Trustees approved the foregoing report by unanimous roll call vote.

B. Lincoln Tower

President Enarson made the following statement:

One of the major unresolved problems of my first year as President of this University is how best to utilize Lincoln Tower. On a number of occasions, I have discussed with you various alternatives for the utilization of this facility. I will not attempt to review that history today, but, rather, seek your concurrence for what we believe to be the best answer to this problem.

September 7, 1973 meeting, Board of Trustees

I. GENERAL RECOMMENDATIONS (continued)

B. Lincoln Tower (continued)

President Enarson's statement (continued)

You will recall that after a comprehensive review of the entire problem we initiated a request to the 110th General Assembly for the necessary financial support to renovate this facility for the purpose of housing the College of Social and Behavioral Sciences. At that time, we also requested a subsidy to cover the annual payment for the outstanding bonded indebtedness remaining on this facility.

The College of Social and Behavioral Sciences, the administration of the University, and this Board of Trustees are agreed that this was a most reasonable solution to a difficult problem. Indeed, we have been informed that there was strong sentiment in support of this solution within the General Assembly. Unfortunately, however, this plan did not receive the necessary support for funding, either for the renovation or for the bond payments. The Governor had called for a virtual moratorium on capital improvement money to higher education and, thus, a request of some six years standing for the construction of an urgently needed facility for the College of Social and Behavioral Sciences was not included in the appropriations bill. In spite of our best efforts, we still are in the untenable position of having a building that is substantially under-utilized and at the same time having a critical space shortage in our fastest growing college.

Because we can renovate Lincoln Tower at a cost of approximately \$1.5 million, a fraction of the cost of new construction, I remain convinced that this is the best possible use of Lincoln Tower. We have restudied the entire problem during the summer and I strongly recommend that we proceed in this manner, within the new resources made available to us for utility improvements and renovations for the biennium of \$2 million. We can delay no further in seeking a solution to this problem and we are persuaded that we must give first priority to this project.

We want to emphasize that in converting Lincoln Tower to an academic building, we are recommending an action which will have major, long-range benefits to the University, benefits which are academic and administrative, as well as financial. For in seeking to put Lincoln Tower to the best possible use, we have reviewed the assignment and quality of building space for the entire campus and have developed a comprehensive plan which, when fully realized over the next three years, will substantially improve the University's capacity for educational and administrative services.

September 7, 1973 meeting, Board of Trustees

I. GENERAL RECOMMENDATIONS (continued)

B. Lincoln Tower (continued)

President's Enarson's statement (continued)

The plan takes into account the new space now under construction in the University Hall complex and on the West Campus; it reviews the condition of many of the oldest buildings on campus, like Lord Hall, Student Services Building, McMillin Observatory, and many others; and it proposes the relocation of over 100 organizational and instructional units.

But the key move in the plan is Lincoln Tower. In converting Lincoln Tower to an academic facility, we accomplish the following academic and administrative benefits:

- it would consolidate the College of Social and Behavioral Sciences, a basic undergraduate college now scattered over 13 campus buildings, in one central location;
- it would provide, from space vacated by the Social and Behavioral Sciences, for much needed additional space for the Colleges of Administrative Science and Education;
- it would consolidate administrative support services now in Archer House, Oxley Hall, and Lincoln Tower, thereby returning Archer House and Oxley Hall to the housing system;
- it would allow the demolition of several obsolete buildings whose operating costs can no longer be justified in terms of the poor quality of space provided.

The quality and use of space of course must be our overriding concern, and our analysis of current campus buildings indicates that at least nine of them, built at the beginning of this century, are in very poor condition.

The implications of this decision should be clearly understood. Drastic cutbacks will be necessary in the current biennium and the following biennium in a variety of much needed, high priority, renovation projects; including Hayes Hall, Hughes Hall, and Brown Hall which have been scheduled for remodeling. In my judgment, we must be prepared to defer all other projects, to get on with a solution to the space needs of the College of Social and Behavioral Sciences. The second major implication of this decision is that we will have no other choice than to fund the bonded indebtedness of Lincoln Tower from the general funds of the University for at least the next



September 7, 1973 meeting, Board of Trustees

I. GENERAL RECOMMENDATIONS (continued)

B. Lincoln Tower (continued)

President Enarson's statement (continued)

two years. There is also the risk that we might be forced to continue funding this indebtedness from general funds beyond this period unless we are successful in winning the support of the Regents and the next General Assembly. The sad truth is that we will be draining our financial resources which come from State subsidy and student fees to meet these bond payments and this cannot help but have some impact on the quality of our educational programs.

The reluctance of the General Assembly to address itself to this problem we are told is largely caused by its awareness that several of the State universities have similar dormitory problems. The Chancellor of the Ohio Board of Regents recently has indicated that he intends to initiate a study of this problem on a state-wide basis and based upon his findings will make an appropriate recommendation to the next General Assembly upon this matter. We are most hopeful that the next General Assembly will support a reasonable solution to this problem.

We have a moral obligation to our students and faculty to continue to pursue everything within our means to obtain financial relief from this situation. Hopefully, it will come from the next General Assembly.

It is completely unreasonable to leave Lincoln Tower dark. It is also unrealistic to continue maintaining this facility as part of the residence system. Thus we seek your authorization to proceed to implement this decision. At subsequent meetings I will report on our progress in this matter and present specific requests for your consideration in implementing this decision.

Mr. Shocknessy suggested that the Legislature might wonder why the University requested State support for this project which was not provided and now the University has found the money to fund this project from within existing funds.

The President responded by saying that even though we are using existing resources for this project, we will be draining our financial resources which come from State subsidy and student fees to meet these bond payments which cannot help but have a direct effect on the quality of our educational program.

Upon motion of Mrs. James, seconded by Dr. Sirak, the Board of Trustees approved the foregoing recommendation with seven affirmative votes: Mr. Hilliker, Mr. Shocknessy, Mr. Safford, Mr. Dunlap, Mr. Gushman, Dr. Sirak, and Mrs. James.

I. GENERAL RECOMMENDATIONS (continued)

C. Sick Leave Policy

In conformity with a provision in Amended Substitute Senate Bill 31 which was passed by the General Assembly, President Enarson recommended that the Board adopt an amended sick leave policy for principal administrative officers and senior administrative and professional staff, unclassified professional staff and classified civil service employees effective July 23, 1973, as follows:

It shall be the policy of this Board that University employees upon retirement with ten or more years of service with the State, shall be compensated in an amount not to exceed one-fourth the value of accrued but unused sick leave credit based on the employee's rate of compensation at the time of retirement. The maximum payment for any employee shall be 240 hours. The payment for sick leave under this policy eliminates all sick leave credit of the employee at the time of retirement and payment will be made only once to any employee.

Upon motion of Mr. Dunlap, seconded by Mr. Safford, the Board of Trustees approved the foregoing recommendation with seven affirmative votes: Mr. Hilliker, Mr. Shocknessy, Mr. Safford, Mr. Dunlap, Mr. Gushman, Dr. Sirak, and Mrs. James.

D. Improvements in University Organizational Structure

President Enarson made the following statement:

I thought it best to become thoroughly familiar with the existing organizational structure of the University before proposing improvements. Accordingly, I have examined at length and with considerable care present organizational arrangements and am now prepared to recommend modifications, both major and minor, which should enhance administrative effectiveness in meeting institutional goals.

In this connection, I have no illusions that these or any other realignments by themselves will work a miracle. The results of organizational change are often imperceptible in any short-run assessment of institutional performance. We are ultimately dependent on the competence, dedication, and commitment of the people who are The Ohio State University. I should add that I have inherited an organizational structure which has served the University well. However, a dynamic university requires constant renewal in all respects, including its organizational structure.

I. GENERAL RECOMMENDATIONS (continued)

D. Improvements in University Organizational Structure (continued)

President Enarson's statement (continued)

It should be stressed at the outset that very likely there is no "one best way" of structuring any large comprehensive organization. Certainly there is no prescribed "perfect organization" for the bewilderingly complex multiversity.

For one thing no university has the same mix of programs, the same history, the same clientele, the same environment, the same goals as any other university. Moreover, universities--along with business corporations, government bureaus, churches, research bodies and the like--are inhabited by different persons, with different perceptions of organization and management. Thus it is not surprising that the vast literature of higher education provides little help in resolving the organizational issues of a modern university. Nor is it surprising that there is not even standard nomenclature of job titles and administrative units, let alone a clear-cut "once and for all" definition of duties that are properly allocated as between--for example--the Vice President for Student Affairs and the Business Office, or as between the Vice President for Finance and the Vice President for Academic Affairs.

In thinking about matters of administrative structure, however, there are several obvious (and well-accepted) "principles" of good organization.

For example, there must be a "reasonable" span of control; the president with twenty-five persons reporting to him faces an intolerable burden--but the president with only two persons reporting to him risks being sealed off from necessary first-hand contact with key people and key problems.

Tasks that are closely related should be closely linked; payroll and personnel records are closely related--the library and the police are not.

"Layering" must be kept at a minimum to avoid clogged lines of communication and dissipation of effective control.

The many tasks of the University must be assembled in manageable groups. While in a sense almost all tasks in a university have an academic dimension or an impact, however remote, on the quality of education, it would be self-defeating to burden the provost with all those tasks.

September 7, 1973 meeting, Board of Trustees

I. GENERAL RECOMMENDATIONS (continued)

D. Improvements in University Organizational Structure (continued)

President Enarson's statement (continued)

The difficulty with "principles" in administration is that they are general propositions and--as in law--general propositions do not decide concrete cases. Accordingly, in any thoughtful re-examination of organization, one's judgment and experience--even individual preference--must finally determine the precise delineation of who is responsible for what and who reports to whom.

In developing the accompanying recommendations, two considerations have been controlling:

1. Since any change is to some degree threatening to some persons and necessitates some dislocation, however temporary, no change will be proposed because it looks plausible, or "might work better" or would appear appropriate if one were designing a new university from scratch. In brief, if the structure is reasonable and the system "works," we do not propose change for the sake of change.
2. There will be no increase in costs of administration, no increase in the number of administrators, no new "layers" of administration--which so often isolate the responsible executive from a keen awareness of the problems for which he is ultimately responsible.

Before coming to the specific detailed recommendations for your consideration, may I direct attention to four general goals which I seek to achieve through those recommendations.

1. To infuse throughout all parts of the institution a concern for the primacy of academic values and educational concerns by strengthening the role of the Provost, reinforcing his responsibility for the whole broad range of academic concerns, and stressing the centrality of academic affairs in the University's mission.

The chief academic officer of the University should carry the title of Provost and the academic constellations of the University shall report to me through the Provost. As with the other senior officers, the Provost will be expected to consult with the various University officers in his sphere of responsibility and make recommendations to me concerning any necessary realignments.

I. GENERAL RECOMMENDATIONS (continued)

D. Improvements in University Organizational Structure (continued)

President Enarson's statement (continued)

2. To encourage and facilitate direct and continuing interactions between the President and the principal officers.

To this end, I propose a more closely knit management team, with workable spans of control, which will enable me to be linked more intimately with the major programs and operations of the University. This requires senior university officers, reporting to the President in the following areas: academic affairs, business and administration, budget and resources planning, university development, and student services. This realignment deals with each of these areas.

3. To create a new means for concentrating our staff resources on determining our future objectives, on establishing priorities, on planning programs, and allocating our resources purposefully in pursuing our agreed goals.

The Ohio State University is a multimillion dollar enterprise larger than many business corporations and government agencies. As long as steady growth was occurring, there was a fairly even balance between programs and resources. It is painfully evident that we are now entering a period marked by stable or uncertain enrollments, great inflationary pressures, and intensifying competition for state and federal resources. The need for effective budgetary planning and a matching of programs to resources are a requirement that any president must assert as a first priority.

It is necessary to establish an Office of Budget and Resources Planning, directly responsible to the President, so that major and continuing attention will be directed to matching our program priorities with our increasingly constraining fiscal resources. In this way we will most effectively meet our varied commitments and responsibilities.

4. To assure ourselves and those who support us that we are making the most effective use of resources by improving our management methods, by maximizing the return on the finances available, and by achieving closer coordination and more efficient use of all our support and service activities.

I. GENERAL RECOMMENDATIONS (continued)

D. Improvements in University Organizational Structure (continued)

President Enarson's statement (continued)

The area of business management, finance and administration is of crucial importance in the efficient operation of the University. The essential purposes of this institution--instruction--research--public service--cannot be fulfilled without sound management and effective utilization of our resources. It is necessary therefore, that one senior officer be charged with responsibility for financial and business management, physical facilities, space development, utilization and allocation, computer coordination, and other operations vital to the smooth functioning of a large and complex institution. All such operations should report to the President through a Vice President for Business and Administration.

To achieve these goals, I am recommending the following specific organizational realignments to be effective immediately:

Newly Created Authorities

Office of Vice President for Business and Administration

Office of Director of Budget and Resources Planning

Special Assistant to the President

Reassigned Authorities

University College to Office of Academic Affairs

Agricultural Technical Institute to the College of Agriculture and Home Economics

All authorities with the exception of the Office of Campus Planning and Office of Residence and Dining Halls within the Office of Administrative Operations to the Office of Business and Administration

Office of Administrative Systems to Office of Business and Administration

Office of Finance and Treasurer to Office of Business and Administration

September 7, 1973 meeting, Board of Trustees

I. GENERAL RECOMMENDATIONS (continued)

D. Improvements in University Organizational Structure (continued)

President Enarson's statement (continued)

Reassigned Authorities (continued)

Office of Personnel Services to Office of Business and Administration

Office of Public Safety to Office of Business and Administration

Office of University Budget to Office of Budget and Resources Planning

Office of Campus Planning to Office of Budget and Resources Planning

Division of Planning Studies to Office of Budget and Resources Planning

Office of Special Projects to Office of Budget and Resources Planning

Office of Residence and Dining Halls to Office of Student Services

Office of Student Discipline Officer to Office of Student Services

Eliminated Authorities

Office of Executive Vice President

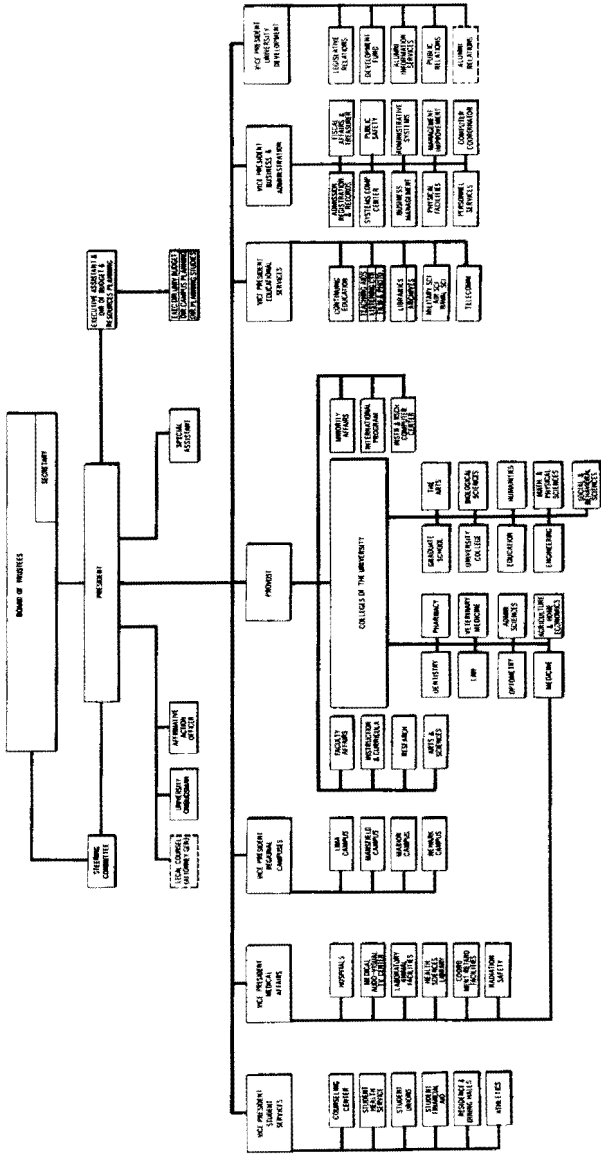
Office of Vice President for Administrative Operations

Office of Executive Director of University Planning

The accompanying chart graphically portrays the realigned organizational structure of the University.

These realignments will in all probability necessitate some further internal reorganization within the various units. Such changes, along with the Bylaws of the Board of Trustees in support of these changes and those which I have presented today, will be presented at the next Board meeting.

# ORGANIZATION OF THE OHIO STATE UNIVERSITY





September 7, 1973 meeting, Board of Trustees

I. GENERAL RECOMMENDATIONS (continued)

D. Improvements in University Organizational Structure (continued)

President Enarson's statement (continued)

It should be understood that this revised structure like any organizational structure is exceedingly time critical. With the many forces for change from both within and outside universities today, it is essential that we are prepared to accommodate change almost on a continuous basis rather than allowing such needs to accumulate until such a time that a major reorganization is necessary. Thus, I do not wish to represent these changes as the structure which I believe will somehow solve all the problems that the University is facing. Rather I believe that these shifts will assist in making this University more responsive to the problems at hand. I will be examining further organizational changes with you during the year.

In this connection, I should alert you to at least one additional area in which the existing organizational structure will be under careful review and that is the Health Sciences. This is under active study and I will be back to the Board with a recommendation when the study is completed.

Mr. Hilliker called on Mr. Gushman for a report from the Educational Affairs Committee.

Mr. Gushman made the following statement:

As you have indicated Mr. Chairman, our Committee, consisting of Mr. Dunlap, Mrs. James, and Dr. Sirak, Chairman Hilliker, President Enarson and Secretary Moulton, met last Friday in Lancaster. And may I say thanks to the Committee for meeting in Lancaster since I was unable to travel on that particular day.

The Committee spent the better part of three hours reviewing Dr. Enarson's proposed administrative realignments. A number of questions were raised by those present concerning this proposal. I should say for the benefit of the members of the Board not present at that meeting there was some concern expressed over the direct working relationship between the President and the number of major administrative officers of the University. This was of concern since we did not wish the President to be unduly burdened with administrative detail to the point that he might have less time to spend on what we believe is his number one job--planning the future and the well-being of this University. After considerable debate, Dr. Enarson convinced

September 7, 1973 meeting, Board of Trustees

I. GENERAL RECOMMENDATIONS (continued)

D. Improvements in University Organizational Structure (continued)

Mr. Gushman's statement (continued)

the Committee that such would not be the case. The Committee finally voted unanimously to recommend this re-organization to the Board recognizing first, that any organization structure has to be dynamic and fluid and that there undoubtedly will be further changes as time goes on. Thus we are not cemented into this organization for any fixed period. And secondly, we believe that the President as the Chief Executive Officer of this University must have, within reason, the organizational structure with which he feels most comfortable and in which he believes he can operate most efficiently.

Accordingly, I move that the Board adopt this organizational structure. In making the motion, I would like to add that I urge that there be a full and free discussion at this time on this very important proposal, particularly by those members who were unable to attend our Committee meeting.

The motion was seconded by Mr. Safford, and the Board of Trustees approved the foregoing structure of the administration by unanimous roll call vote.

Mr. Shocknessy expressed the thought that the administrative realignment as presented by the President did not represent the magnitude of change which he was led to believe would be recommended, but in his opinion represented only a minor modification of the existing structure which was a testimonial in itself to the past administrations. He inquired as to the effective date of these realignments.

President Enarson indicated that they were to be effective immediately.

Mr. Shocknessy also inquired as to the implications of the proposed change in the administrative location of University College.

President Enarson responded that this realignment was simply bringing the chart in line with operating authority.

I. GENERAL RECOMMENDATIONS (continued)

E. Establishment of a Chair in Endocrinology in the College of Medicine

President Enarson recommended that a Chair in Endocrinology in the College of Medicine be designated in accordance with the wishes of a donor who prefers to remain anonymous and pursuant to an action by the Board of Trustees of The Ohio State University approved on March 3, 1972.

The donor has agreed that this Chair should be funded from income derived from deposits made in the form of a revocable trust on September 15, 1971. The income from this trust will provide sufficient funds to support the Chair in Endocrinology on an annual basis and may eventually be used to permanently endow this Chair.

The purpose of this Chair in Endocrinology shall be for the teaching of endocrinology, for the enhancement of research in endocrinology and for the development of clinical learning experiences in endocrinology, but is not necessarily limited to these three areas. Funds provided for the support of this Chair can be used for purposes of salary or program support.

At some future date, if the donor wishes, the Chair may be named in his honor.

Upon motion of Mr. Gushman, seconded by Dr. Sirak, the Board of Trustees by unanimous voice vote approved the establishment of a Chair in Endocrinology in the College of Medicine.

\*

\*

\*

II. PERSONNEL ACTIONS

In order to effect the foregoing administrative changes, the following personnel actions were recommended:

A. Newly Created and/or Modified Authorities

Edward Q. Moulton, Vice President for Business and Administration, effective immediately, at no change in salary. (Dr. Moulton will continue his administrative responsibility as Secretary of the Board of Trustees.)

Albert J. Kuhn, Provost, in the Office of Academic Affairs, effective immediately, at no change in salary.

Richard H. Zimmerman, Executive Assistant to the President and Director of the Budget and Resources Planning, effective immediately, at no change in salary.

Eric Raymond Gilbertson, Special Assistant to the President, effective October 1, 1973, at a salary of \$17,868.00 per annum.

II. PERSONNEL ACTIONS (continued)

B. Resignation

President Enarson made the following statement:

In the reorganization of my office it will be readily apparent that Ken Krouse will not be continuing as Executive Assistant to the President. To avoid any misunderstanding, I want to say that Ken advised me earlier in the year that he wished to leave the University and pursue his own professional interests. He agreed to stay at least until I could rethink the administrative organization and then to assist me in the transition. It was his wish that nothing be said of his resignation, which is effective October 15, until this time. I wish to take this occasion to thank Ken publicly for the many valuable contributions to Ohio State while serving in the President's Office since 1964. Further, I wish to express my appreciation for his cooperation during this past year. And I wish him every possible success in his new career.

Personnel actions since the July 6, 1973 meeting of the Board, as recorded in the official "Salary Roll" of the University, include the following Appointments, Leaves of Absence Without Salary, and Emeritus Titles:

C. Appointments

John Anthony Walker, Associate Dean, College of The Arts, effective immediately, at No Salary. Dr. Walker will continue his appointment as Professor and Chairman of the Department of Theatre.

Francille M. Firebaugh, Associate Dean of the College of Agriculture and Home Economics, Professor and Director of the School of Home Economics, and Professor in the Cooperative Extension Service, effective immediately, at a salary of \$21,282.00 per annum. Dr. Firebaugh will continue as Professor and Chairman of the Department of Home Economics at the Ohio Agricultural Research and Development Center.

Clive W. Donoho, Jr., Associate Director, Ohio Agricultural Research and Development Center, College of Agriculture and Home Economics - Administration, (part time - 5 per cent), effective October 16, 1973, at a salary of \$1,662.00 per annum. Dr. Donoho will hold an appointment as Associate Director, Ohio Agricultural Research and Development Center, (part time - 95 per cent). He will hold the academic rank of Professor in the Department of Horticulture at No Salary.

September 7, 1973 meeting, Board of Trustees

II. PERSONNEL ACTIONS (continued)

C. Appointments (continued)

The following appointments as Acting Chairmen of Departments are effective as follows:

Frank A. Kapral, Professor and Acting Chairman, Department of Medical Microbiology, effective immediately, at a salary of \$24,648.00 per annum.

Yan Shuan Lao, Associate Professor and Acting Chairman, Department of East Asian Languages and Literature, effective October 1, 1973 through December 31, 1973, at a salary of \$17,568.00 per annum.

Heinz P. Pieper, Professor and Acting Chairman, Department of Physiology, effective immediately, at a salary of \$26,448.00 per annum.

The following appointment as Acting Director of the School of Music is effective as follows:

Donald E. McGinnis, Professor and Acting Director, School of Music, effective immediately, at a salary of \$19,212.00 per annum.

D. Leaves of Absence Without Salary

William G. Dewald, Professor, Department of Economics, effective October 1, 1973 through September 30, 1974, to accept a position as Special Assistant for Economic Analysis and Research, International Labor Bureau, U. S. Department of Labor, Washington, D. C.

Ralph E. Franklin, Professor, Department of Agronomy, effective September 1, 1973 through June 30, 1974, to continue as Soil Research Scientist with the Atomic Energy Commission.

Henry L. Hunker, Professor, Department of Geography and Division of Public Administration, effective July 1, 1973 through June 30, 1974, to do research at Battelle Memorial Institute, Columbus, Ohio.

Gordon L. Nelson, Professor, Department of Agricultural Engineering, effective September 1, 1973 through October 31, 1973, to serve as a Visiting Scholar at the Punjab Agricultural College of Agricultural Engineering, India.

September 7, 1973 meeting, Board of Trustees

II. PERSONNEL ACTIONS (continued)

D. Leaves of Absence Without Salary (continued)

William M. Boorstein, Associate Professor, Department of Metallurgical Engineering, effective October 1, 1973 through March 31, 1974, to gain practical experience in industry as a metallurgical engineer.

William B. Campbell, Associate Professor, Department of Ceramic Engineering, effective October 1, 1973 through September 30, 1974, to serve as Visiting Professor at the University of Tennessee for the academic year 1973-1974.

Ruth Currier, Associate Professor, Department of Dance, effective October 1, 1973 through September 30, 1974, to engage in a professional improvement program.

John H. Williams, Associate Professor, Department of Entomology, effective July 1, 1973 through June 30, 1974, to do research at the Ohio Environmental Protection Agency, Power Siting Commission.

Sara Foster, Assistant Professor, School of Social Work, effective October 1, 1973 through June 30, 1974, to pursue doctoral studies at the University of Wisconsin.

Dun Mow Hong, Assistant Professor, Department of Economics, Lima Campus, effective October 1, 1973 through September 30, 1974, to teach at the National Chung-Hsing University at Taiwan.

Nolan J. Rindfleisch, Assistant Professor, School of Social Work, effective July 1, 1973 through June 30, 1974, to participate in a program of professional improvement at Case Western Reserve University.

Howard Wayne Schuth, Assistant Professor, Department of Photography and Cinema, effective August 24, 1973 through July 23, 1974, to teach at Louisiana State University.

Marilyn V. Adderley, Instructor, School of Nursing, effective August 13, 1973 through July 31, 1974, to join the staff of the ECCO Family Health Center.

Donna J. Beck, Instructor, School of Nursing, effective August 29, 1973 through September 30, 1973, for personal reasons.

September 7, 1973 meeting, Board of Trustees

II. PERSONNEL ACTIONS (continued)

D. Leaves of Absence Without Salary (continued)

Bonnie J. Garvin, Instructor, School of Nursing, effective July 11, 1973 through September 16, 1973, to participate in a program of professional improvement at The Ohio State University.

Judith A. Graves, Instructor, School of Nursing, effective August 1, 1973 through August 31, 1973, for personal reasons.

Gerry D. Guthrie, Instructor, University Library, effective September 1, 1973 through September 30, 1973, to conduct a research project for The Council on Library Resources.

Ruth L. King, Instructor, School of Nursing, effective July 9, 1973 through September 30, 1973, for personal reasons.

Rachel E. Richards, Instructor, Academic Faculty of Special Services, effective July 1, 1973 through July 31, 1973, for personal reasons.

Peggy D. Wilson, Instructor, School of Allied Medical Professions, effective June 25, 1973 through September 4, 1973, to participate in a program of professional improvement at The Ohio State University.

E. Emeritus Titles

Robert H. Browning, Department of Medicine, with the title Professor Emeritus, effective July 1, 1973.

James B. Burr, Academic Faculty of Early and Middle Childhood Education, with the title Professor Emeritus, effective August 1, 1973.

John A. Eglitis, Department of Anatomy, with the title Professor Emeritus, effective July 1, 1973.

Morris B. Guthrie, Department of Medicine, with the title Professor Emeritus, effective July 1, 1973.

Robert E. Yoder, Department of Agronomy, with the title Professor Emeritus, effective July 1, 1973.

George F. Collins, Department of Anesthesiology, with the title Associate Professor Emeritus, effective July 1, 1973.

September 7, 1973 meeting, Board of Trustees

II. PERSONNEL ACTIONS (continued)

E. Emeritus Titles (continued)

Henry B. Lacey, Department of Surgery, with the title Associate Professor Emeritus, effective July 1, 1973.

Margaret F. McDonald, Department of Agricultural Economics and Rural Sociology, with the title Associate Professor Emeritus, effective July 1, 1973.

Miriam S. Mooney, School of Music, with the title Associate Professor Emeritus, effective July 1, 1973.

Ralph W. Bergman, Cooperative Extension Service, with the title Assistant Professor Emeritus, effective July 1, 1973.

Francis W. Dalrymple, Cooperative Extension Service, with the title Assistant Professor Emeritus, effective July 1, 1973.

Pearl S. Mullen, Cooperative Extension Service, with the title Assistant Professor Emeritus, effective August 16, 1973.

Robin C. Obetz, Department of Medicine, with the title Assistant Professor Emeritus, effective July 1, 1973.

Rollo W. Bonnell, Department of Medicine, with the title Instructor Emeritus, effective July 1, 1973.

President Enarson recommended that the Newly Created and/or Modified Authorities, Resignation, Appointments, Leaves of Absence Without Salary, Emeritus Titles, and the personnel budget actions as recorded in the "Salary Roll" of the University be approved.

Upon motion of Mr. Gushman, seconded by Mr. Devenow, the Board of Trustees approved the foregoing recommendation by unanimous roll call vote, and the Secretary was instructed to file these changes in the "Salary Roll," an official document of the University.

\*

\*

\*



September 7, 1973 meeting, Board of Trustees

III. REPORT OF RESEARCH CONTRACTS, GRANTS, GIFTS, AND AGREEMENTS

ANNUAL SUMMARY

(Fiscal Year 1972-73)

OFFICE OF FINANCE AND TREASURER

	Number of Projects	Level of Support	% Change from 1971-72
<u>Federal</u>			
Student	25	\$ 6,877,998.69	14
Training Grants	<u>157</u>	<u>21,612,630.71</u>	<u>(1)</u>
Total - Federal	182	\$28,490,629.40	2
<u>State</u>	16	974,826.61	76
<u>Industrial and Other</u>	<u>15</u>	<u>640,135.27</u>	<u>59</u>
Totals	213	\$30,105,591.28	4

THE OHIO STATE UNIVERSITY RESEARCH FOUNDATION

	Number of Projects	Level of Support	% Change from 1971-72
<u>Federal</u>			
U. S. Atomic Energy Com- mission	8	\$ 453,445.00	2
National Aeronautics and Space Administration	18	497,533.00	(16)
National Science Foundation	91	3,512,050.00	43
Department of Defense	65	2,505,486.00	(37)
Health, Education, and Welfare	141	9,727,591.52	21
Other Federal	<u>42</u>	<u>3,649,901.00</u>	<u>153</u>
Total - Federal	365	\$20,346,006.52	20
<u>State</u>	12	550,686.56	231
<u>Industrial, Subcontracts, and     Other Non-Federal</u>	<u>116</u>	<u>2,487,662.82</u>	<u>51</u>
Totals	499	\$23,384,355.90	24

September 7, 1973 meeting, Board of Trustees

III. REPORT OF RESEARCH CONTRACTS, GRANTS, GIFTS, AND AGREEMENTS  
(continued)

THE ENGINEERING EXPERIMENT STATION

	Number of Projects	Level of Support	% Change from 1971-72
<u>Federal</u>	16	\$ 149,181.00	(32)
<u>State</u>	37	504,000.00	(17)
<u>Industrial and Other</u>	<u>311</u>	<u>483,355.00</u>	<u>38</u>
Totals	364	\$ 1,136,536.00	(3)

THE OHIO STATE UNIVERSITY DEVELOPMENT FUND

	Number of Donors	Level of Support	% Change from 1971-72
<u>General Solicitation</u>	<u>31,722</u>	<u>\$ 666,630.00</u>	<u>15</u>
<u>Major Resources</u>			
Major Individual Gifts	708	\$ 2,702,755.00	8
Corporate Gifts	465	1,155,363.00	0
Foundation and Non- Profit Organization Gifts	496	1,428,316.00	29
	<u>1,669</u>	<u>\$ 5,953,434.00</u>	<u>11</u>
Totals	33,391	\$ 5,953,064.00	11

GRAND TOTAL - \$60,579,547.18

September 7, 1973 meeting, Board of Trustees

III. REPORT OF RESEARCH CONTRACTS, GRANTS, GIFTS, AND AGREEMENTS  
(continued)

President Enarson recommended that the following contracts and grants negotiated and monies received for the months of June and July be accepted.

Summary for June 1973

	No. of Projects/ Donors	Support Level
Office of Finance and Treasurer	39	\$9,360,013.87
The Ohio State University Research Foundation	52	2,844,752.00
The Engineering Experiment Station	4	31,456.00
The Ohio State University Development Fund	4,106	467,987.00

Summary for July 1973

	No. of Projects/ Donors	Support Level
Office of Finance and Treasurer	17	\$2,240,930.17
The Ohio State University Research Foundation	54	3,410,039.00
The Engineering Experiment Station	16	564,647.00
The Ohio State University Development Fund	3,575	479,468.71

A detailed listing of the items in each section is shown on the following pages.

Upon motion of Mr. Devenow, seconded by Dr. Sirak, the research agreements between The Ohio State University and The Ohio State University Research Foundation for the contracts and grants reported herein, and the acceptance of the report from the Office of Finance and Treasurer and The Ohio State University Development Fund, including the establishment of named funds, were approved by unanimous voice vote.

III. REPORT OF RESEARCH CONTRACTS, GRANTS, GIFTS, AND AGREEMENTS  
(continued)

A. Office of Finance and Treasurer

1. Contracts/Grants

- a. \$2,301,974.00 granted by Department of Health, Education, and Welfare, Public Health Service, Bethesda, Maryland, to the University for Health Professions Capitation Grant Program, under the direction of the College of Medicine, for the period July 1, 1973 through June 30, 1974. (Grant No. 5 E03 PE00142-08)
- b. \$2,127,725.00 granted by Department of Health, Education, and Welfare, Office of Education, Washington, D. C., to the University for the National Direct Student Loan Program, for the period July 1, 1973 through June 30, 1974. (NIH Grantee No. 766505)
- c. \$1,251,458.00 granted by Department of Health, Education, and Welfare, Public Health Service, Bethesda, Maryland, to the University for Health Professions Capitation Grant Program, under the direction of the College of Dentistry, for the period July 1, 1973 through June 30, 1974. (Grant No. 5 E03 PE00378-08)
- d. \$628,396.68 granted by State Department of Education, Division of Vocational Education, Columbus, Ohio, to the University for support of the training of teachers in Vocational Agriculture and Vocational Home Economics, under the direction of the College of Agriculture and Home Economics, for the period July 1, 1973 through June 30, 1974.
- e. \$601,367.00 granted by Department of Health, Education, and Welfare, Public Health Service, Health Services and Mental Health Administration, Bethesda, Maryland, to the University for Mental Retardation Training, under the direction of The Nisonger Center, for the period July 1, 1973 through June 30, 1974. (Project I. D. No. MCT-000922-07-0)
- f. \$349,372.00 granted by Department of Health, Education, and Welfare, Public Health Service, Bethesda, Maryland, to the University for Health Professions Special Project Grant Program, under the direction of the College of Medicine, for the period July 1, 1973 through June 30, 1974. (Grant No. 5 D08 PE00110-04)
- g. \$327,362.00 granted by Department of Health, Education, and Welfare, Public Health Service, Bethesda, Maryland, to the University for Health Professions Capitation Grant Program, under the direction of the College of Veterinary Medicine, for the period July 1, 1973 through June 30, 1974. (Grant No. 5 E03 PE00526-04)

III. REPORT OF RESEARCH CONTRACTS, GRANTS, GIFTS, AND AGREEMENTS  
(continued)

A. Office of Finance and Treasurer (continued)

1. Contracts/Grants (continued)

- h. \$224,702.00 granted by Department of Health, Education, and Welfare, Public Health Service, Bethesda, Maryland, to the University for Health Professions Capitation Grant Program, under the direction of the College of Pharmacy, for the period July 1, 1973 through June 30, 1974. (Grant No. 5 E03 PE00455-04)
- i. \$156,000.00 additional grant by Department of Health, Education, and Welfare, Office of Education, Washington, D. C., to the University for Vocational-Technical Leadership Development Program, under the direction of the College of Education, Academic Faculty of Vocational-Technical Education, for the period ending August 31, 1974. (Grant No. OEG-0-70-1945, Revision No. 3)
- j. \$131,874.00 granted by Department of Health, Education, and Welfare, Public Health Service, Bethesda, Maryland, to the University for Health Professions Capitation Grant Program, under the direction of the College of Optometry, for the period July 1, 1973 through June 30, 1974. (Grant No. 5 E03 PE00614-08)
- k. \$129,135.00 granted by Department of Health, Education, and Welfare, Public Health Service, Bethesda, Maryland, to the University for Health Professions Special Project Grant Program, under the direction of the College of Pharmacy, for the period July 1, 1973 through June 30, 1974. (Grant No. 5 D08 PE05014-03)
- l. \$110,429.00 granted by Department of Health, Education, and Welfare, Public Health Service, Health Services and Mental Health Administration, Chicago, Illinois, to the University for Medical Student Field Experience and Health Manpower Outreach Training, under the direction of the Department of Preventive Medicine, for the period July 1, 1973 through June 30, 1974. (Project I.D. No. 05 H 000166 02 0)
- m. \$99,533.00 granted by Department of Health, Education, and Welfare, Region V, Social and Rehabilitation Service (Developmental Disabilities), Chicago, Illinois, to the University for Developing Normalization Services, under the direction of The Nisonger Center, for the period June 29, 1973 through June 28, 1974. (Grant No. 56-P-25389/5-01)

III. REPORT OF RESEARCH CONTRACTS, GRANTS, GIFTS, AND AGREEMENTS  
(continued)

A. Office of Finance and Treasurer (continued)

1. Contracts/Grants (continued)

- n. \$94,283.00 granted by Department of Health, Education, and Welfare, Public Health Service, Health Services and Mental Health Administration, Bethesda, Maryland, to the University for Graduate Program in Comprehensive Health Planning, under the direction of the Department of Preventive Medicine, for the period July 1, 1973 through June 30, 1974. (Project I.D. No. CP-T 000022-05-0)
- o. \$93,923.00 granted by Department of Health, Education, and Welfare, Region V, Social and Rehabilitation Service - Rehabilitation Services, Chicago, Illinois, to the University for Traineeships in Rehabilitation Medicine, under the direction of the Department of Physical Medicine, for the period July 1, 1973 through June 30, 1974. (Grant No. 44-P-25122/5-12)
- p. \$76,994.00 granted by Columbus Metropolitan Area Community Action Organization, Columbus, Ohio, to the University for support of the New Careers Program, under the direction of the School of Social Work, for the period June 19, 1973 through June 30, 1974. (Contract No. 4)
- q. \$76,971.00 granted by Department of Health, Education, and Welfare, Public Health Service, Bethesda, Maryland, to the University for Health Professions Special Project Grant Program, under the direction of the College of Optometry, for the period July 1, 1973 through June 30, 1974. (Grant No. 5 D08 PE02043-02)
- r. \$75,000.00 additional grant by U. S. Department of Labor, Manpower Administration, Washington, D. C., to the University for Manpower Research Institutional Grant, under the direction of the Center for Human Resource Research, for the period ending July 31, 1974. (Grant No. 31-37-70-05, Modification No. 4)
- s. \$65,000.00 additional grant by Department of Health, Education, and Welfare, Office of Education, Washington, D. C., to the University for National Conference on Career Education for Deans of Education and Professors of Educational Administration, under the direction of the Center for Vocational-Technical Education, for the period ending December 31, 1973. (Project No. OEG-0-72-0055, Revision No. 3)

III. REPORT OF RESEARCH CONTRACTS, GRANTS, GIFTS, AND AGREEMENTS  
(continued)

A. Office of Finance and Treasurer (continued)

1. Contracts/Grants (continued)

- t. \$64,761.00 granted by Department of Health, Education, and Welfare, Public Health Service, Bethesda, Maryland, to the University for Health Professions Special Project Grant Program, under the direction of the College of Dentistry, for the period July 1, 1973 through June 30, 1974. (Grant No. 5 D08 PE01205-02)
- u. \$53,553.00 granted by Department of Health, Education, and Welfare, Office of Child Development, Child Welfare Research and Demonstration Grants Program, Washington, D. C., to the University for Structure and Performance of Programs of Child Abuse and Neglect, under the direction of the Department of Sociology, for the period July 1, 1973 through June 30, 1974. (Grant No. OCD-CB-500)
- v. \$49,652.00 granted by Department of Health, Education, and Welfare, Public Health Service, Bethesda, Maryland, to the University for Graduate Preparation for Leadership in Child Health Services, under the direction of the School of Nursing, for the period June 1, 1973 through May 31, 1974. (Grant No. 5 D10 NU00429-04)
- w. \$41,802.00 granted by State of Ohio, Department of Education, Columbus, Ohio, to the University for the development of specialists to serve the family life and impact home economics programs, under the direction of the School of Home Economics, for the period June 1, 1973 through June 30, 1974. (Grant No. 73032)
- x. \$36,000.00 granted by Ohio Real Estate Commission, Columbus, Ohio, to the University for the production of six real estate instructor manuals, under the direction of the College of Administrative Science, Academic Faculty of Finance, and will extend through Spring, 1974.
- y. \$35,792.00 granted by Department of Health, Education, and Welfare, Public Health Service, Bethesda, Maryland, to the University for Clinical Chemistry, under the direction of the Department of Pathology, for the period July 1, 1973 through June 30, 1974. (Grant No. 2 T01 GM01805-06)
- z. \$27,830.00 granted by U. S. Environmental Protection Agency, Washington, D. C., to the University for Multidisciplinary Training in Water Pollution Control, under the direction of the Water Resources Center, for the period July 1, 1973 through June 30, 1974. (Grant No. T-900130)

III. REPORT OF RESEARCH CONTRACTS, GRANTS, GIFTS, AND AGREEMENTS  
(continued)

A. Office of Finance and Treasurer (continued)

1. Contracts/Grants (continued)

- aa. \$22,038.00 granted by Department of Health, Education, and Welfare, Public Health Service, Bethesda, Maryland, to the University for Special Project Grants for Preceptorship Training, under the direction of the Department of Pediatrics, for the period July 1, 1973 through June 30, 1974. (Grant No. 5 D08 PE08018-02)
- bb. \$21,600.00 granted by the U. S. Atomic Energy Commission, Washington, D. C., to the University for Graduate Level Trainees, under the direction of the Department of Mechanical Engineering, for the period September 1, 1973 through August 31, 1974. (Contract No. AT-(40-1)-3892, Modification No. 4)
- cc. \$16,506.00 granted by Department of Health, Education, and Welfare, Public Health Service, National Institutes of Health, Bureau of Health Manpower Education, Bethesda, Maryland, to the University for Nursing Student Loan and Nursing Scholarships, under the direction of the Office of Student Financial Aids, for the period July 1, 1973 through June 30, 1974. (I.D. No. G 7 45 0430 15 1)
- dd. \$13,849.00 granted by Department of Health, Education, and Welfare, Public Health Service, Bethesda, Maryland, to the University for Clinical Psychology, under the direction of the Department of Psychiatry, for the period July 1, 1973 through June 30, 1974. (Grant No. 5 T01 MH10778-07)
- ee. \$10,925.00 granted by Department of Health, Education, and Welfare, Public Health Service, Bethesda, Maryland, to the University for Psychiatric Social Work MSW, under the direction of the School of Social Work, for the period July 1, 1973 through June 30, 1974. (Grant No. 3 T01 MH06530-16S1)
- ff. \$7,145.00 granted by Department of Health, Education, and Welfare, Region V, Social and Rehabilitation Service - Rehabilitation Services, Chicago, Illinois, to the University for Teaching Grant and Traineeships in Physical Therapy, under the direction of the School of Allied Medical Professions, for the period September 1, 1973 through August 31, 1974. (Grant No. 44-P-25124/5-10)



III. REPORT OF RESEARCH CONTRACTS, GRANTS, GIFTS, AND AGREEMENTS  
(continued)

A. Office of Finance and Treasurer (continued)

1. Contracts/Grants (continued)

- gg. \$6,312.00 granted by Department of Health, Education, and Welfare, Public Health Service, Bethesda, Maryland, to the University for Social Work - Community Organization, under the direction of the School of Social Work, for the period July 1, 1973 through June 30, 1974. (Grant No. 5 T01 MH10789-07)
- hh. \$6,250.00 granted by Department of Health, Education, and Welfare, Region V, Social and Rehabilitation Service - Rehabilitation Services, Chicago, Illinois, to the University for Occupational Therapy Undergraduate Traineeships, under the direction of the School of Allied Medical Professions, for the period September 1, 1973 through August 31, 1974. (Grant No. 44-P-25123/5-09)
- ii. \$5,320.00 additional grant by Department of Health, Education, and Welfare, Public Health Service, Bethesda, Maryland, to the University for Pharmacology, under the direction of the Department of Pharmacology, for the period July 1, 1973 through June 30, 1974. (Grant No. 5 T01 GM01417-09)
- jj. \$5,000.00 granted by National Science Foundation, Washington, D. C., to the University for the purchase of instructional scientific equipment, under the direction of the School of Architecture, for the period ending June 30, 1975. (Grant GY-10982, Proposal No. 3/4680)
- kk. \$5,000.00 granted by the Federal Highway Administration, Washington, D. C., to the University for fellowship, under the direction of the Graduate School, for the academic year 1973-1974. (Grant No. DOT-FH-11-8072)
- ll. \$4,878.19 granted by Department of Health, Education, and Welfare, Office of Education, Washington, D. C., to the University for Veterans' Cost of Instruction Program, under the direction of the Newark Campus, for the period July 1, 1973 through June 30, 1974. (NIH Grantee No. 766505)
- mm. \$4,302.00 granted by Department of Health, Education, and Welfare, Public Health Service, Bethesda, Maryland, to the University for Undergraduate Psychiatric Nursing, under the direction of the School of Nursing, for the period July 1, 1973 through June 30, 1974. (Grant No. 5 T02 MH06375-17)

III. REPORT OF RESEARCH CONTRACTS, GRANTS, GIFTS, AND AGREEMENTS  
(continued)

B. The Ohio State University Research Foundation

1. Federal Research Contracts/Grants

- a. Department of Health, Education, and Welfare, Public Health Service, National Institutes of Health, National Institute of General Medical Sciences, Bethesda, Maryland, Ligand Reactions, Catalysis and Macrocyclic Complexes (to be known as Project No. 1501-K - Ext. #10 - Department of Chemistry).  
Gross Value - \$61,442.00.
- b. Department of Health, Education, and Welfare, Public Health Service, National Institutes of Health, National Cancer Institute, Bethesda, Maryland, Anabolic Control in Normal and Neoplastic Tissues (to be known as Project No. 1571-H - Sup. #1 - Department of Biochemistry).  
Gross Value - \$5,899.00.
- c. Department of Health, Education, and Welfare, Public Health Service, National Institutes of Health, National Institute of Allergy and Infectious Diseases, Bethesda, Maryland, Studies on in vivo Growth of Staphylococci (to be known as Project No. 2330-D - Ext. #4 - Department of Medical Microbiology).  
Gross Value - \$25,051.00.
- d. Department of Health, Education, and Welfare, Public Health Service, National Institutes of Health, National Heart and Lung Institute, Bethesda, Maryland, Structural Investigation on Glycosaminoglycans (to be known as Project No. 2516-E - Sup. #1 - Department of Chemistry).  
Gross Value - \$8,579.00.
- e. Department of Health, Education, and Welfare, Public Health Service, National Institutes of Health, National Institute of General Medical Sciences, Bethesda, Maryland, Metabolism of 6-Deoxyhexoses (to be known as Project No. 2701-E - Ext. #5 - Department of Biochemistry).  
Gross Value - \$11,613.00.
- f. Department of Health, Education, and Welfare, Public Health Service, National Institutes of Health, National Eye Institute, Bethesda, Maryland, Electrophysiological Studies of Visual Adaptation (to be known as Project No. 2711-D - Ext. #4 - Department of Ophthalmology).  
Gross Value - \$33,761.00.

III. REPORT OF RESEARCH CONTRACTS, GRANTS, GIFTS, AND AGREEMENTS

(continued)

B. The Ohio State University Research Foundation

1. Federal Research Contracts/Grants

- g. National Aeronautics and Space Administration, Langley Research Center, Hampton, Virginia, Flutter of Thermally Stressed Plates Subjected to Large Deflections (to be known as Project No. 2792 - Sup. #4 - Department of Aeronautical and Astronautical Engineering). Gross Value - \$6,000.00.
- h. Department of Health, Education, and Welfare, Public Health Service, National Institutes of Health, National Cancer Institute, Bethesda, Maryland, Synthesis and Chemistry of Diazo Compounds (to be known as Project No. 2793-D - Ext. #4 - Department of Chemistry). Gross Value - \$46,384.00.
- i. Department of Health, Education, and Welfare, Public Health Service, National Institutes of Health, National Institute of Neurological Diseases and Stroke, Bethesda, Maryland, Stereochemical Studies of Adrenergic Drugs (to be known as Project No. 3034-A3 - Sup. #1 - College of Pharmacy). Gross Value - \$2,992.00.
- j. Department of Health, Education, and Welfare, Public Health Service, National Institutes of Health, National Heart and Lung Institute, Bethesda, Maryland, Research into Onset of Myocardial Infarction and Sudden Death (to be known as Project No. 3059-A1 - Mod. #3 - Department of Preventive Medicine). Gross Value - \$61,500.00.
- k. Department of Health, Education, and Welfare, Public Health Service, Food and Drug Administration, Rockville, Maryland, Pathologic Support for Evaluation of Cardiotoxic Drugs in the Canine (to be known as Project No. 3242-A1 - Mod. #4 - Departments of Pathology and Veterinary Pathobiology). Gross Value - \$57,938.00.
- l. Department of Health, Education, and Welfare, Social Security Administration, Baltimore, Maryland, Disability in the United States (to be known as Project No. 3246-A3 - Ext. #2 - College of Law). Gross Value - \$39,527.00.
- m. Department of Health, Education, and Welfare, Office of Education, Washington, D. C., National Program in Educational Leadership (to be known as Project No. 3252-A1 - Rev. #7 - Mershon Center for Education in National Security). Gross Value - \$839,868.00.

III. REPORT OF RESEARCH CONTRACTS, GRANTS, GIFTS, AND AGREEMENTS  
(continued)

B. The Ohio State University Research Foundation

1. Federal Research Contracts/Grants (continued)

- n. Department of Health, Education, and Welfare, Office of Education, Washington, D. C., National Program in Educational Leadership (to be known as Project No. 3252-B1 - Rev. #7 - Mershon Center for Education in National Security).  
Gross Value - \$61,934.00.
- o. Department of Health, Education, and Welfare, Office of Education, Washington, D. C., National Program in Educational Leadership (to be known as Project No. 3252-C1 - Rev. #7 - Mershon Center for Education in National Security).  
Gross Value - \$217,138.00.
- p. Department of Health, Education, and Welfare, Office of Education, Washington, D. C., National Program in Educational Leadership (to be known as Project No. 3252-D1 - Rev. #7 - Mershon Center for Education in National Security).  
Gross Value - \$106,060.00.
- q. Department of the Army, Harry Diamond Laboratories, Washington, D. C., Theoretical and Experimental Analysis and Antenna Designs Utilizing Computer-Aided Techniques (to be known as Project No. 3281-A1 - Mod. #P00003 - Department of Electrical Engineering, ElectroScience Laboratory).  
Gross Value - \$47,000.00.
- r. Department of Health, Education, and Welfare, Public Health Service, National Institutes of Health, National Cancer Institute, Bethesda, Maryland, Post Transcriptional Control in Eukaryotic Cells (to be known as Project No. 3283-A3 - Ext. #2 - Department of Physiological Chemistry).  
Gross Value - \$34,291.00.
- s. Department of Health, Education, and Welfare, Public Health Service, National Institutes of Health, National Cancer Institute, Bethesda, Maryland, Chemical Studies Related to Hydrocarbon Carcinogenesis (to be known as Project No. 3284-A3 - Ext. #2 - Department of Chemistry).  
Gross Value - \$48,417.00.
- t. Department of Health, Education, and Welfare, Public Health Service, National Institutes of Health, National Institute of Neurological Diseases and Stroke, Bethesda, Maryland, Research Center for Acute Spinal Injury (to be known as Project No. 3358-A1 - Sup. #1 - Department of Surgery).  
Gross Value - \$17,555.00.

III. REPORT OF RESEARCH CONTRACTS, GRANTS, GIFTS, AND AGREEMENTS  
(continued)

A. Office of Finance and Treasurer (continued)

1. Contracts/Grants (continued)

- t. \$64,761.00 granted by Department of Health, Education, and Welfare, Public Health Service, Bethesda, Maryland, to the University for Health Professions Special Project Grant Program, under the direction of the College of Dentistry, for the period July 1, 1973 through June 30, 1974. (Grant No. 5 D08 PE01205-02)
- u. \$53,553.00 granted by Department of Health, Education, and Welfare, Office of Child Development, Child Welfare Research and Demonstration Grants Program, Washington, D. C., to the University for Structure and Performance of Programs of Child Abuse and Neglect, under the direction of the Department of Sociology, for the period July 1, 1973 through June 30, 1974. (Grant No. OCD-CB-500)
- v. \$49,652.00 granted by Department of Health, Education, and Welfare, Public Health Service, Bethesda, Maryland, to the University for Graduate Preparation for Leadership in Child Health Services, under the direction of the School of Nursing, for the period June 1, 1973 through May 31, 1974. (Grant No. 5 D10 NU00429-04)
- w. \$41,802.00 granted by State of Ohio, Department of Education, Columbus, Ohio, to the University for the development of specialists to serve the family life and impact home economics programs, under the direction of the School of Home Economics, for the period June 1, 1973 through June 30, 1974. (Grant No. 73032)
- x. \$36,000.00 granted by Ohio Real Estate Commission, Columbus, Ohio, to the University for the production of six real estate instructor manuals, under the direction of the College of Administrative Science, Academic Faculty of Finance, and will extend through Spring, 1974.
- y. \$35,792.00 granted by Department of Health, Education, and Welfare, Public Health Service, Bethesda, Maryland, to the University for Clinical Chemistry, under the direction of the Department of Pathology, for the period July 1, 1973 through June 30, 1974. (Grant No. 2 T01 GM01805-06)
- z. \$27,830.00 granted by U. S. Environmental Protection Agency, Washington, D. C., to the University for Multidisciplinary Training in Water Pollution Control, under the direction of the Water Resources Center, for the period July 1, 1973 through June 30, 1974. (Grant No. T-900130)

III. REPORT OF RESEARCH CONTRACTS, GRANTS, GIFTS, AND AGREEMENTS  
(continued)

A. Office of Finance and Treasurer (continued)

1. Contracts/Grants (continued)

- aa. \$22,038.00 granted by Department of Health, Education, and Welfare, Public Health Service, Bethesda, Maryland, to the University for Special Project Grants for Preceptorship Training, under the direction of the Department of Pediatrics, for the period July 1, 1973 through June 30, 1974. (Grant No. 5 D08 PE08018-02)
- bb. \$21,600.00 granted by the U. S. Atomic Energy Commission, Washington, D. C., to the University for Graduate Level Trainees, under the direction of the Department of Mechanical Engineering, for the period September 1, 1973 through August 31, 1974. (Contract No. AT-(40-1)-3892, Modification No. 4)
- cc. \$16,506.00 granted by Department of Health, Education, and Welfare, Public Health Service, National Institutes of Health, Bureau of Health Manpower Education, Bethesda, Maryland, to the University for Nursing Student Loan and Nursing Scholarships, under the direction of the Office of Student Financial Aids, for the period July 1, 1973 through June 30, 1974. (I.D. No. G 7 45 0430 15 1)
- dd. \$13,849.00 granted by Department of Health, Education, and Welfare, Public Health Service, Bethesda, Maryland, to the University for Clinical Psychology, under the direction of the Department of Psychiatry, for the period July 1, 1973 through June 30, 1974. (Grant No. 5 T01 MH10778-07)
- ee. \$10,925.00 granted by Department of Health, Education, and Welfare, Public Health Service, Bethesda, Maryland, to the University for Psychiatric Social Work MSW, under the direction of the School of Social Work, for the period July 1, 1973 through June 30, 1974. (Grant No. 3 T01 MH06530-16S1)
- ff. \$7,145.00 granted by Department of Health, Education, and Welfare, Region V, Social and Rehabilitation Service - Rehabilitation Services, Chicago, Illinois, to the University for Teaching Grant and Traineeships in Physical Therapy, under the direction of the School of Allied Medical Professions, for the period September 1, 1973 through August 31, 1974. (Grant No. 44-P-25124/5-10)

III. REPORT OF RESEARCH CONTRACTS, GRANTS, GIFTS, AND AGREEMENTS  
(continued)

A. Office of Finance and Treasurer (continued)

1. Contracts/Grants (continued)

- gg. \$6,312.00 granted by Department of Health, Education, and Welfare, Public Health Service, Bethesda, Maryland, to the University for Social Work - Community Organization, under the direction of the School of Social Work, for the period July 1, 1973 through June 30, 1974. (Grant No. 5 T01 MH10789-07)
- hh. \$6,250.00 granted by Department of Health, Education, and Welfare, Region V, Social and Rehabilitation Service - Rehabilitation Services, Chicago, Illinois, to the University for Occupational Therapy Undergraduate Traineeships, under the direction of the School of Allied Medical Professions, for the period September 1, 1973 through August 31, 1974. (Grant No. 44-P-25123/5-09)
- ii. \$5,320.00 additional grant by Department of Health, Education, and Welfare, Public Health Service, Bethesda, Maryland, to the University for Pharmacology, under the direction of the Department of Pharmacology, for the period July 1, 1973 through June 30, 1974. (Grant No. 5 T01 GM01417-09)
- jj. \$5,000.00 granted by National Science Foundation, Washington, D. C., to the University for the purchase of instructional scientific equipment, under the direction of the School of Architecture, for the period ending June 30, 1975. (Grant GY-10982, Proposal No. 3/4680)
- kk. \$5,000.00 granted by the Federal Highway Administration, Washington, D. C., to the University for fellowship, under the direction of the Graduate School, for the academic year 1973-1974. (Grant No. DOT-FH-11-8072)
- ll. \$4,878.19 granted by Department of Health, Education, and Welfare, Office of Education, Washington, D. C., to the University for Veterans' Cost of Instruction Program, under the direction of the Newark Campus, for the period July 1, 1973 through June 30, 1974. (NIH Grantee No. 766505)
- mm. \$4,302.00 granted by Department of Health, Education, and Welfare, Public Health Service, Bethesda, Maryland, to the University for Undergraduate Psychiatric Nursing, under the direction of the School of Nursing, for the period July 1, 1973 through June 30, 1974. (Grant No. 5 T02 MH06375-17)

III. REPORT OF RESEARCH CONTRACTS, GRANTS, GIFTS, AND AGREEMENTS  
(continued)

B. The Ohio State University Research Foundation

1. Federal Research Contracts/Grants

- a. Department of Health, Education, and Welfare, Public Health Service, National Institutes of Health, National Institute of General Medical Sciences, Bethesda, Maryland, Ligand Reactions, Catalysis and Macrocyclic Complexes (to be known as Project No. 1501-K - Ext. #10 - Department of Chemistry).  
Gross Value - \$61,442.00.
- b. Department of Health, Education, and Welfare, Public Health Service, National Institutes of Health, National Cancer Institute, Bethesda, Maryland, Anabolic Control in Normal and Neoplastic Tissues (to be known as Project No. 1571-H - Sup. #1 - Department of Biochemistry).  
Gross Value - \$5,899.00.
- c. Department of Health, Education, and Welfare, Public Health Service, National Institutes of Health, National Institute of Allergy and Infectious Diseases, Bethesda, Maryland, Studies on in vivo Growth of Staphylococci (to be known as Project No. 2330-D - Ext. #4 - Department of Medical Microbiology).  
Gross Value - \$25,051.00.
- d. Department of Health, Education, and Welfare, Public Health Service, National Institutes of Health, National Heart and Lung Institute, Bethesda, Maryland, Structural Investigation on Glycosaminoglycans (to be known as Project No. 2516-E - Sup. #1 - Department of Chemistry).  
Gross Value - \$8,579.00.
- e. Department of Health, Education, and Welfare, Public Health Service, National Institutes of Health, National Institute of General Medical Sciences, Bethesda, Maryland, Metabolism of 6-Deoxyhexoses (to be known as Project No. 2701-E - Ext. #5 - Department of Biochemistry).  
Gross Value - \$11,613.00.
- f. Department of Health, Education, and Welfare, Public Health Service, National Institutes of Health, National Eye Institute, Bethesda, Maryland, Electrophysiological Studies of Visual Adaptation (to be known as Project No. 2711-D - Ext. #4 - Department of Ophthalmology).  
Gross Value - \$33,761.00.



III. REPORT OF RESEARCH CONTRACTS, GRANTS, GIFTS, AND AGREEMENTS

(continued)

B. The Ohio State University Research Foundation

1. Federal Research Contracts/Grants

- g. National Aeronautics and Space Administration, Langley Research Center, Hampton, Virginia, Flutter of Thermally Stressed Plates Subjected to Large Deflections (to be known as Project No. 2792 - Sup. #4 - Department of Aeronautical and Astronautical Engineering).  
Gross Value - \$6,000.00.
- h. Department of Health, Education, and Welfare, Public Health Service, National Institutes of Health, National Cancer Institute, Bethesda, Maryland, Synthesis and Chemistry of Diazo Compounds (to be known as Project No. 2793-D - Ext. #4 - Department of Chemistry).  
Gross Value - \$46,384.00.
- i. Department of Health, Education, and Welfare, Public Health Service, National Institutes of Health, National Institute of Neurological Diseases and Stroke, Bethesda, Maryland, Stereochemical Studies of Adrenergic Drugs (to be known as Project No. 3034-A3 - Sup. #1 - College of Pharmacy).  
Gross Value - \$2,992.00.
- j. Department of Health, Education, and Welfare, Public Health Service, National Institutes of Health, National Heart and Lung Institute, Bethesda, Maryland, Research into Onset of Myocardial Infarction and Sudden Death (to be known as Project No. 3059-A1 - Mod. #3 - Department of Preventive Medicine).  
Gross Value - \$61,500.00.
- k. Department of Health, Education, and Welfare, Public Health Service, Food and Drug Administration, Rockville, Maryland, Pathologic Support for Evaluation of Cardiotoxic Drugs in the Canine (to be known as Project No. 3242-A1 - Mod. #4 - Departments of Pathology and Veterinary Pathobiology).  
Gross Value - \$57,938.00.
- l. Department of Health, Education, and Welfare, Social Security Administration, Baltimore, Maryland, Disability in the United States (to be known as Project No. 3246-A3 - Ext. #2 - College of Law).  
Gross Value - \$39,527.00.
- m. Department of Health, Education, and Welfare, Office of Education, Washington, D. C., National Program in Educational Leadership (to be known as Project No. 3252-A1 - Rev. #7 - Mershon Center for Education in National Security).  
Gross Value - \$839,868.00.

III. REPORT OF RESEARCH CONTRACTS, GRANTS, GIFTS, AND AGREEMENTS  
(continued)

B. The Ohio State University Research Foundation

1. Federal Research Contracts/Grants (continued)

- n. Department of Health, Education, and Welfare, Office of Education, Washington, D. C., National Program in Educational Leadership (to be known as Project No. 3252-B1 - Rev. #7 - Mershon Center for Education in National Security).  
Gross Value - \$61,934.00.
- o. Department of Health, Education, and Welfare, Office of Education, Washington, D. C., National Program in Educational Leadership (to be known as Project No. 3252-C1 - Rev. #7 - Mershon Center for Education in National Security).  
Gross Value - \$217,138.00.
- p. Department of Health, Education, and Welfare, Office of Education, Washington, D. C., National Program in Educational Leadership (to be known as Project No. 3252-D1 - Rev. #7 - Mershon Center for Education in National Security).  
Gross Value - \$106,060.00.
- q. Department of the Army, Harry Diamond Laboratories, Washington, D. C., Theoretical and Experimental Analysis and Antenna Designs Utilizing Computer-Aided Techniques (to be known as Project No. 3281-A1 - Mod. #P00003 - Department of Electrical Engineering, ElectroScience Laboratory).  
Gross Value - \$47,000.00.
- r. Department of Health, Education, and Welfare, Public Health Service, National Institutes of Health, National Cancer Institute, Bethesda, Maryland, Post Transcriptional Control in Eukaryotic Cells (to be known as Project No. 3283-A3 - Ext. #2 - Department of Physiological Chemistry).  
Gross Value - \$34,291.00.
- s. Department of Health, Education, and Welfare, Public Health Service, National Institutes of Health, National Cancer Institute, Bethesda, Maryland, Chemical Studies Related to Hydrocarbon Carcinogenesis (to be known as Project No. 3284-A3 - Ext. #2 - Department of Chemistry).  
Gross Value - \$48,417.00.
- t. Department of Health, Education, and Welfare, Public Health Service, National Institutes of Health, National Institute of Neurological Diseases and Stroke, Bethesda, Maryland, Research Center for Acute Spinal Injury (to be known as Project No. 3358-A1 - Sup. #1 - Department of Surgery).  
Gross Value - \$17,555.00.

III. REPORT OF RESEARCH CONTRACTS, GRANTS, GIFTS, AND AGREEMENTS  
(continued)

B. The Ohio State University Research Foundation

1. Federal Research Contracts/Grants (continued)

- u. Department of Health, Education, and Welfare, Public Health Service, National Institutes of Health, National Institute of General Medical Sciences, Bethesda, Maryland, Spectroelectrochemistry of BioElectron Transfers (to be known as Project No. 3359-A2 - Ext. #1 - Department of Chemistry).  
Gross Value - \$34,801.00.
- v. Department of the Navy, Naval Air Development Center, Warminster, Pennsylvania, On-Aircraft Antennas (to be known as Project No. 3390-A1 - Mod. #P00002 - Department of Electrical Engineering, ElectroScience Laboratory).  
Gross Value - \$7,000.00.
- w. Department of the Army, Harry Diamond Laboratories, Washington, D. C., Theoretical and Experimental Research on Adaptive Array Antenna System (to be known as Project No. 3435-A1 - Mod. #P00002 - Department of Electrical Engineering, ElectroScience Laboratory).  
Gross Value - \$96,755.00.
- x. Department of the Air Force, Air Force Office of Scientific Research, Arlington, Virginia, Aspects of Decision Theory with Applications to Target Recognition and Digital Communications (to be known as Project No. 3444-A1 - Mod. #AFOSR-72-2351C - Department of Computer and Information Science).  
Gross Value - \$38,089.00.
- y. National Science Foundation, Washington, D. C., Surface Modes in Yttrium Iron Garnet Single Crystal Discs (to be known as Project No. 3457-A1 - Amend. #1 - Department of Physics).  
Gross Value - \$30,000.00.
- z. National Science Foundation, Washington, D. C., Dislocation Sources in the Microstrain Region (to be known as Project No. 3465-A1 - Ext. #1 - Department of Metallurgical Engineering).  
Gross Value - \$16,360.00.
- aa. National Science Foundation, Washington, D. C., Dislocation Sources in the Microstrain Region (to be known as Project No. 3465-B1 - Ext. #1 - Department of Metallurgical Engineering).  
Gross Value - \$27,640.00.

III. REPORT OF RESEARCH CONTRACTS, GRANTS, GIFTS, AND AGREEMENTS  
(continued)

B. The Ohio State University Research Foundation

1. Federal Research Contracts/Grants (continued)

- bb. Department of Health, Education, and Welfare, Public Health Service, National Institutes of Health, National Heart and Lung Institute, Bethesda, Maryland, Development of Effective Therapy for Sickle Cell Disease (to be known as Project No. 3478-A1 - Sup. #1 - Department of Medicine).  
Gross Value - \$95,572.00.
- cc. Department of Health, Education, and Welfare, Public Health Service, Food and Drug Administration, Rockville, Maryland, Develop and Conduct a Training Course for FDA Professional Personnel (to be known as Project No. 3479-B1 - Mod. #3 - College of Administrative Science, Division of Continuing Education).  
Gross Value - \$2,496.00.
- dd. Department of Health, Education, and Welfare, Public Health Service, National Institutes of Health, National Cancer Institute, Bethesda, Maryland, Metabolic Characteristics of Cellular Immune Response (to be known as Project No. 3488-A2 - Ext. #2 - Department of Medicine).  
Gross Value - \$32,382.00.
- ee. Department of Health, Education, and Welfare, Public Health Service, National Institutes of Health, National Cancer Institute, Bethesda, Maryland, Exploratory Study--Cancer Research Center (to be known as Project No. 3493-A2 - Ext. #1 - College of Medicine).  
Gross Value - \$124,223.00.
- ff. Department of Health, Education, and Welfare, Office of the Secretary, Washington, D. C., Planning, Conducting, and Reporting Upon a Conference Concerned with the Legal Rights of Retarded Citizens (to be known as Project No. 3630-A1 - Mod. #1 - College of Law).  
Gross Value - \$2,288.00.
- gg. Department of the Air Force, Air Force Office of Scientific Research, Arlington, Virginia, Cardiovascular, Renal, and Respiratory Effects of High Intensity, Intermediate Duration, Low Frequency Vibration (to be known as Project No. 3656-A1 - New - Departments of Aeronautical and Astronautical Engineering and Veterinary Physiology and Pharmacology).  
Gross Value - \$29,675.00.
- hh. Department of the Interior, Fish and Wildlife Service, Washington, D. C., Evaluation of the Effects of Stream Channelization on Warm-Water Fish Populations (to be known as Project No. 3695-A1 - New - Department of Zoology).  
Gross Value - \$56,000.00.

III. REPORT OF RESEARCH CONTRACTS, GRANTS, GIFTS, AND AGREEMENTS

(continued)

B. The Ohio State University Research Foundation

1. Federal Research Contracts/Grants (continued)

- ii. Department of the Army, Army Mobility Equipment Research and Development Center, Ft. Belvoir, Virginia, Development of Pyroelectric Field Effect Radiation Detectors for Use in Infrared Sensing and Imaging Devices (to be known as Project No. 3697-A1 - New - Department of Mechanical Engineering [Nuclear Engineering]). Gross Value - \$25,000.00.
- jj. National Science Foundation, Washington, D. C., Mechanism of Sexual Attraction in the Lower Plants Fucus and Allomyces (to be known as Project No. 3699-A1 - New - Department of Chemistry). Gross Value - \$24,900.00.
- kk. National Science Foundation, Washington, D. C., Criteria for the Allocation of Resources to Research and Development (to be known as Project No. 3702-A1 - New - Division of Public Administration). Gross Value - \$8,900.00.
- ll. National Science Foundation, Washington, D. C., Kidney Therapy and Public Policy: A Study of Medical Innovation (to be known as Project No. 3703-A1 - New - Division of Public Administration). Gross Value - \$104,400.00.
- mm. Department of the Army, Army Air Mobility Research and Development Laboratory, Ft. Eustis, Virginia, Investigation of Gear Dynamic Signal Analysis (to be known as Project 3707-A1 - New - Department of Mechanical Engineering). Gross Value - \$31,494.00.
- nn. Department of Health, Education, and Welfare, Public Health Service, National Institute of Mental Health, Rockville, Maryland, Testing of Drug Delivery Systems for Use in the Treatment of Narcotic Addiction (to be known as Project No. 3715-A1 - New - College of Pharmacy). Gross Value - \$93,000.00.
- oo. Department of Health, Education, and Welfare, Public Health Service, National Institutes of Health, National Institute of General Medical Sciences, Bethesda, Maryland, Mechanisms of Mitochondrial Transmission Genetics (to be known as Project No. 3720-A1 - New - Department of Genetics). Gross Value - \$32,873.00.

III. REPORT OF RESEARCH CONTRACTS, GRANTS, GIFTS, AND AGREEMENTS  
(continued)

B. The Ohio State University Research Foundation

1. Federal Research Contracts/Grants (continued)

pp. Department of Health, Education, and Welfare, Public Health Service, National Institutes of Health, National Institute of General Medical Sciences, Bethesda, Maryland, Biochemical Applications of Osmium Chemistry (to be known as Project No. 3721-A1 - New - Department of Biochemistry).  
Gross Value - \$20,653.00.

qq. Department of Commerce, National Oceanic and Atmospheric Administration, Boulder, Colorado, Theoretical Study of Vortex-Breakdown in Tornadoes (to be known as Project No. 3722-A1 - New - Department of Aeronautical and Astronautical Engineering).  
Gross Value - \$15,000.00.

TOTAL - Federal Research Contracts/Grants \$2,682,450.00

2. Industrial, Subcontracts, and Non-Federal Contracts/Grants

- a. Rockwell International Corporation, Columbus, Ohio, Studies of Thrust Augmentation Systems (to be known as Project No. 3625-A1 - Amend. #2 - Department of Aeronautical and Astronautical Engineering).  
Gross Value - \$26,029.00.
- b. Shell Chemical Company, San Ramon, California, Dieldrin Residues from Agricultural and Municipal Sources into Lake Erie (to be known as Project No. 3672-A1 - New - Department of Entomology).  
Gross Value - \$11,797.00.
- c. Columbus Public Schools, Columbus, Ohio, Audit of the Project Assessment and Placement Models for Special Education (to be known as Project No. 3694-A1 - New - Department of Entomology).  
Gross Value - \$11,797.00.
- d. City of Columbus, Columbus, Ohio, Research Survey (to be known as Project No. 3698-A1 - New - Behavioral Sciences Laboratory).  
Gross Value - \$3,800.00.

III. REPORT OF RESEARCH CONTRACTS, GRANTS, GIFTS, AND AGREEMENTS  
(continued)

B. The Ohio State University Research Foundation

2. Industrial, Subcontracts, and Non-Federal Contracts/Grants (continued)

- e. United Fund Health Foundation, Canton, Ohio, Effective Frozen Skin Grafts Upon Healing Wounds (to be known as Project No. 3700-A1 - New - Department of Surgery).  
Gross Value - \$14,336.00.
- f. American Cancer Society, Ohio Division, Inc., Columbus, Ohio, Immunologic Studies in Hodgkin's Disease (to be known as Project No. 3701-A1 - New - Department of Medicine).  
Gross Value - \$21,912.00.
- g. Muscular Dystrophy Association of America, New York, New York, Duchenne Muscular Dystrophy: A New Approach to Therapy (to be known as Project No. 3704-A1 - New - Department of Medicine).  
Gross Value - \$10,000.00.
- h. American Cancer Society, Inc., New York, New York, Sero-Epidemiology Study of Feline Leukemia (to be known as Project No. 3726-A1 - New - Department of Veterinary Pathobiology).  
Gross Value - \$25,000.00.

TOTAL - Industrial, Subcontracts, and Non-Federal Contracts/Grants  
\$162,302.00

C. The Engineering Experiment Station

1. Government Research Contract

EES 454X      A Community Tree Planting Plan for Upper Arlington,  
Ohio, City of Upper Arlington, Ohio.  
Gross Value - \$1,380.00.

2. Industrial Research Contracts

EES 307X      Experimental Determination of Combustibility,  
Ext. #8      American Iron and Steel Institute, New York, New  
York.  
Gross Value - \$15,000.00.

EES 441X      Columbus Region Natural Resource Data File Program,  
Academy for Contemporary Problems, Columbus, Ohio.  
Gross Value - \$7,500.00.

EES 453X      Tensile Fatigue Testing of V-Belts, Dayco Corporation,  
Springfield, Missouri.  
Gross Value - \$7,576.00.

TOTAL - Industrial Research Contracts \$30,076.00

III. REPORT OF RESEARCH CONTRACTS, GRANTS, GIFTS, AND AGREEMENTS  
(continued)

D. The Ohio State University Development Fund

1. Gifts of \$5,000 or More

- a. \$33,345.77 from The Associates of Medicine, Columbus, Ohio, for support of the Department of Medicine General Fund.
- b. \$30,000.00 from The Willard Frost Guard Trust, Silver Spring, Maryland, for support of the Dr. Willard F. Guard Memorial (Endowment) for Veterinary Surgery.
- c. \$27,862.06 from the Department of Obstetrics-Gynecology, Inc., Columbus, Ohio, for support of the Department of Obstetrics and Gynecology Endowment Fund.
- d. \$22,550.00 from Eli Lilly and Company, Indianapolis, Indiana, for support of infectious disease research.
- e. \$16,145.00 from The Bremer Foundation, Youngstown, Ohio, for support of the College of Medicine.
- f. \$13,308.00 from John S. Vasko, M.D., Pickerington, Ohio, for support of the Thoracic Surgery Support Fund.
- g. \$12,000.00 from anonymous donor for Minority Affairs Support Fund.
- h. \$12,000.00 from Edward E. Davis, Oak Hill, Ohio, for support of the University Activities Center Fund.
- i. \$12,000.00 from Mansfield C. S. U. Scholarship Fund, Mansfield, Ohio, for support of the Mansfield Campus Scholarship Fund.
- j. \$11,605.00 from John A. Hartford Foundation, Inc., New York, New York, for support of research in pharmacologic control of portal hypertension.
- k. \$11,264.00 from Charles V. Meckstroth, M.D., Columbus, Ohio, for support of the Thoracic Surgery Support Fund.
- l. \$10,000.00 from J. F. Lincoln Family Foundation, Cleveland, Ohio, for support of the University Activities Center Fund.
- m. \$10,000.00 from James R. Riley, Worthington, Ohio, for support of the University Activities Center Fund.
- n. \$9,000.00 from Martha Holden Jennings Foundation, Cleveland, Ohio, for support of a summer workshop for Ohio School Superintendents.



III. REPORT OF RESEARCH CONTRACTS, GRANTS, GIFTS, AND AGREEMENTS  
(continued)

D. The Ohio State University Development Fund (continued)

1. Gifts of \$5,000 or More (continued)

- o. \$8,252.00 from James W. Kilman, M.D., Columbus, Ohio, for support of the Thoracic Surgery Support Fund.
- p. \$8,200.00 from The Edward Orton, Jr., Ceramic Foundation, Columbus, Ohio--\$4,100.00 for support of a fellowship in Ceramic Engineering and \$4,100.00 for support of the Orton Foundation Fellowship (this project was formerly the Orton 1971-72 Fellowship Fund).
- q. \$8,000.00 from The George Gund Foundation, Cleveland, Ohio, for support of 4-H.
- r. \$6,688.31 from the Estate of Lucille Morrisey Denney, Columbus, Ohio--\$3,344.15 for support of the Shakespeare Memorial Library in memory of Thomas Hawkes Denney, B. A. '21, and Joseph Villiers Denney, Jr., LL. B. '36; and, \$3,344.16 for support of the School of Music in memory of T. H. Denney and J. V. Denney, Jr.
- s. \$6,000.00 from the Ohio Florists Association, Columbus, Ohio, for support of its fellowship fund in the Department of Horticulture.
- t. \$5,000.00 from Forging Industry Educational and Research Foundation, Cleveland, Ohio--\$2,500.00 for the Earl M. Tilton Professorship in Mechanical Metallurgy and \$2,500.00 for support of the Tilton Professor's work.
- u. \$5,000.00 from National Machinery Foundation, Inc., Tiffin, Ohio, for support of their fund for Mechanical Engineering.
- v. \$5,000.00 from The Procter & Gamble Company, Cincinnati, Ohio, for support of their new fund for a fellowship in Chemistry.
- w. \$5,000.00 from William E. Copeland, M.D., Columbus, Ohio, for support of research and educational programs in the Department of Obstetrics and Gynecology.

2. Establishment of Named Funds

- a. \$10,000.00 by a bequest from Florence Leone Lloyd for the establishment of the Florence Leone Lloyd Scholarship Fund.

III. REPORT OF RESEARCH CONTRACTS, GRANTS, GIFTS, AND AGREEMENTS  
(continued)

D. The Ohio State University Development Fund (continued)

2. Establishment of Named Funds (continued)

Florence Leone Lloyd Scholarship Fund

The Florence Leone Lloyd Scholarship Fund was established September 7, 1973, by the Board of Trustees of The Ohio State University with a bequest through The Ohio State University Development Fund from Florence Leone Lloyd, late of Columbus, Ohio, and a distinguished member of the faculty of The Ohio State University College of Agriculture, School of Home Economics.

All gifts are to be invested in the University's Permanent Endowment Fund, under the rules and regulations adopted by the Board of Trustees of The Ohio State University, with the right to invest and reinvest as occasion dictates.

The annual income is to be used to provide scholarship assistance to a junior or senior student in home economics who ranks in the upper third of her class; said student to be selected by the Scholarship Committee of the School of Home Economics.

Should the School of Home Economics of the College of Agriculture cease to exist through any reorganization of the University, then the income may be used by the Board of Trustees, with preference being given to the recommendations of the appropriate administrative official of the University who is then directly responsible for home economics instruction.

- b. \$4,000.00 from family and friends of Dr. Grant O. Graves for the establishment of the Grant O. Graves Memorial Scholarship Fund.

Grant O. Graves Memorial Scholarship Fund

The Grant O. Graves Memorial Scholarship Fund was established September 7, 1973, by the Board of Trustees of The Ohio State University with gifts to the Ohio State University Development Fund from family and friends in memory of Grant O. Graves, B.A. '26, M.A. '29, M.D. '32, a distinguished faculty member and Chairman of The Ohio State University Department of Anatomy for many years.

All gifts are to be invested in the University's Permanent Endowment Fund, under the rules and regulations adopted by the Board of Trustees of The Ohio State University, with the right to invest and reinvest as occasion dictates.

III. REPORT OF RESEARCH CONTRACTS, GRANTS, GIFTS, AND AGREEMENTS  
(continued)

D. The Ohio State University Development Fund (continued)

2. Establishment of Named Funds (continued)

b. Grant O. Graves Memorial Scholarship Fund (continued)

The annual income is to be used to provide scholarship support for students enrolled in the College of Medicine who have need for financial assistance. The selection of the recipient is to be made upon the recommendation of the Dean of the College of Medicine.

Should the need for this scholarship assistance cease to exist or so diminish as to provide unused income, then the income may be used for any purpose whatsoever as determined by the Board of Trustees, with preference being given to recommendations from the appropriate administrative official of the University who is then directly responsible for medical education.

c. \$2,846.93 from Mary Lou Johnson for the establishment of the Mary Lou Johnson Ophthalmology Fund.

Mary Lou Johnson Ophthalmology Fund

The Mary Lou Johnson Ophthalmology Fund was established September 7, 1973, by the Board of Trustees of The Ohio State University with gifts to The Ohio State University Development Fund from Mary Lou Johnson, M. A. '35.

All gifts are to be invested in the University's Permanent Endowment Fund, under the rules and regulations adopted by the Board of Trustees of The Ohio State University, with the right to invest and reinvest as occasion dictates.

The annual income is to be used at the discretion of the Chairman of the Department of Ophthalmology in the College of Medicine.

Should the need for this fund cease to exist or so diminish as to provide unused income, then the income may be used for any purpose whatsoever as determined by the Board of Trustees, with preference being given to recommendations from the appropriate administrative official of the University who is then directly responsible for medical education.

III. REPORT OF RESEARCH CONTRACTS, GRANTS, GIFTS, AND AGREEMENTS  
(continued)

E. Office of Finance and Treasurer

1. Contracts/Grants

- a. \$721,084.17 granted by State Department of Education, Division of Vocational Education, Columbus, Ohio, for support of the teacher training programs in Manpower Development and Training, Vocational Education, Trade and Industrial Education, Guidance Services, Distributive Education, and Business and Office Education, under the direction of the College of Education, Academic Faculty of Vocational-Technical Education, for the period July 1, 1973 through June 30, 1974.
- b. \$268,708.00 granted by Department of Health, Education, and Welfare, Public Health Service, National Institutes of Health, Bureau of Health Manpower Education, Bethesda, Maryland, to the University for Health Professions Scholarship and Health Professions Student Loan, under the direction of the College of Dentistry, for the period July 1, 1973 through June 30, 1974. (I. D. No. 2 7 45 0430 15 1)
- c. \$268,708.00 granted by Department of Health, Education, and Welfare, Public Health Service, National Institutes of Health, Bureau of Health Manpower Education, Bethesda, Maryland, to the University for Health Professions Scholarship and Health Professions Student Loan, under the direction of the College of Medicine, for the period July 1, 1973 through June 30, 1974. (I. D. No. 1 7 45 0430 15 1)
- d. \$195,174.00 granted by Department of Health, Education, and Welfare, Public Health Service, National Institutes of Health, Bureau of Health Manpower Education, Bethesda, Maryland, to the University for Health Professions Scholarship and Health Professions Student Loan, under the direction of the College of Veterinary Medicine, for the period July 1, 1973 through June 30, 1974. (I. D. No. 7 7 45 0430 15 1)
- e. \$168,736.00 granted by Department of Health, Education, and Welfare, Public Health Service, Bethesda, Maryland, to the University for Nursing Capitation Grant Program, under the direction of the School of Nursing, for the period July 1, 1973 through June 30, 1974. (Grant No. 2 E04 NU01080-02)
- f. \$99,028.00 granted by Department of Health, Education, and Welfare, Public Health Service, Bethesda, Maryland, to the University for Comparative Pathology, under the direction of the Department of Veterinary Pathology, for the period July 1, 1973 through June 30, 1974. (Grant No. 2 T01 GM01052-11)

III. REPORT OF RESEARCH CONTRACTS, GRANTS, GIFTS, AND AGREEMENTS

(continued)

F. The Ohio State University Research Foundation (continued)

1. Federal Research Contracts/Grants (continued)

- aa. Department of the Army, Army Mobility Equipment Research and Development Center, Ft. Belvoir, Virginia, Study of Improved Thermoelectric (TE) Materials (to be known as Project No. 3714-A1 - New - Department of Mechanical Engineering).  
Gross Value - \$40,079.00.
- bb. National Endowment for the Humanities, Washington, D. C., A Complete Vocabulary of the Works of Wace and of All Extant Old French Versions of the Brut in Verse (to be known as Project No. 3724-A1 - New - Department of Romance Languages and Literature).  
Gross Value - \$41,259.00.
- cc. Department of Health, Education, and Welfare, Public Health Service, National Institutes of Health, National Institute of Mental Health, Rockville, Maryland, Phenothiazine Metabolites as Mitochondrial Inhibitors (to be known as Project No. 3727-A1 - New - Department of Pharmacology).  
Gross Value - \$17,578.00.
- dd. Agency for International Development, Washington, D. C., Methodological and Substantive Research on Human Resource Planning in Ecuador (to be known as Project No. 3729-A1 - New - Center for Human Resource Research).  
Gross Value - \$53,000.00.
- ee. National Aeronautics and Space Administration, Ames Research Center, Moffett Field, California, Studies of Heat Source Driven Natural Convection (to be known as Project No. 3746-A1 - New - Department of Mechanical Engineering).  
Gross Value - \$4,214.00.
- ff. U. S. Postal Service, Washington, D. C., Development of Optimum Transportation System by Modes: Phase I (to be known as Project No. 3748-A1 - New - Academic Faculties of Marketing and Management Science).  
Gross Value - \$40,901.00.
- gg. Department of Health, Education, and Welfare, Public Health Service, National Institutes of Health, National Cancer Institute, Bethesda, Maryland, Biohazards Control and Containment in Oncogenic Virus Research (to be known as Project No. 3750-A1 - New - Department of Veterinary Pathobiology).  
Gross Value - \$150,000.00.

September 7, 1973 meeting, Board of Trustees

III. REPORT OF RESEARCH CONTRACTS, GRANTS, GIFTS, AND AGREEMENTS

(continued)

F. The Ohio State University Research Foundation (continued)

1. Federal Research Contracts/Grants (continued)

- hh. Department of Health, Education, and Welfare, National Institute of Education, Washington, D. C., The "Gatekeeper" Role in Educational Journal Publishing (to be known as Project No. 3751-A1 - New - Academic Faculty of Special Services and School of Journalism).  
Gross Value - \$9,957.00.

TOTAL - Federal Research Contracts/Grants \$2,698,377.00

2. State Research Contracts/Grants

- a. Ohio Bureau of Employment Services, Columbus, Ohio, Study of the Financing of the Ohio Unemployment Compensation Law (to be known as Project No. 3725-A1 - New - Department of Economics).  
Gross Value - \$20,813.00.
- b. Ohio Department of Mental Health and Mental Retardation, Columbus, Ohio, Preventive Mental Health Interventions in First Grade Classrooms (to be known as Project No. 3730-A1 - New - Department of Psychiatry).  
Gross Value - \$87,588.00.
- c. Ohio Department of Mental Health and Mental Retardation, Columbus, Ohio, Prediction and Comparison of Stimulant Benefit in Hyperkinetic Children (to be known as Project No. 3731-A1 - New - Department of Psychiatry).  
Gross Value - \$11,628.00.

TOTAL - State Research Contracts/Grants \$120,029.00

3. Industrial, Subcontracts, and Other Non-Federal Research Contracts/Grants

- a. Procter and Gamble Company, Cincinnati, Ohio, Study of Dental Caries (to be known as Project No. 2065-D - Ext. #7 - College of Dentistry).  
Gross Value - \$90,347.00.
- b. Procter and Gamble Company, Cincinnati, Ohio, Study of Dental Calculus (to be known as Project No. 2070-A - Ext. #8 - College of Dentistry).  
Gross Value - \$48,107.00.

III. REPORT OF RESEARCH CONTRACTS, GRANTS, GIFTS, AND AGREEMENTS  
(continued)

F. The Ohio State University Research Foundation (continued)

3. Industrial, Subcontracts, and Other Non-Federal  
Research Contracts/Grants (continued)

- c. Allegheny Foundation, Pittsburgh, Pennsylvania, Clinicopathologic and Genetic Investigations of Primary Canine Glaucoma in the Basset--A Study in Comparative Ophthalmology (to be known as Project No. 2779-A - Ltr. Dtd. 7/6/73 - Departments of Veterinary Clinical Sciences and Veterinary Pathobiology).  
Gross Value - \$15,165.00.
- d. American Heart Association, Inc., New York, New York, Blood Oxygen Transport in Hemoglobinopathies (to be known as Project No. 3243-A3 - Ext. #2 - Department of Medicine).  
Gross Value - \$13,090.00.
- e. International Lead Zinc Research Organization, Inc., New York, New York, Effect of G6Pd Deficiency on Lead Uptake of Erythrocytes (to be known as Project No. 3403-A1 - Ltr. Dtd. 6/26/73 - Department of Physiology).  
Gross Value - \$6,312.00.
- f. National Tuberculosis and Respiratory Disease Association, New York, New York, Cellular Immunity in Sarcoidosis (to be known as Project No. 3426-A2 - Ltr. Dtd. 3/5/73 - Department of Medicine).  
Gross Value - \$12,760.00.
- g. Ohio Power Company, Canton, Ohio, Environmental Analysis of a Potential Power Plant Site on Sandusky Bay (to be known as Project No. 3585-A1 - Ltr. Dtd. 7/5/73 - College of Biological Sciences).  
Gross Value - \$132,809.00.
- h. Ohio Power Company, Canton, Ohio, Radionuclide Uptake and Equilibrium Studies of Organisms Indigenous to Sandusky Bay (to be known as Project No. 3585-B1 - New - Department of Zoology).  
Gross Value - \$18,000.00.
- i. Ohio Power Company, Canton, Ohio, Hydrologic Studies of a Potential Nuclear Power Plant Site on Sandusky Bay (to be known as Project No. 3585-C1 - New - Department of Civil Engineering).  
Gross Value - \$28,672.00.
- j. Medical Advances Institute, Columbus, Ohio, Computerized Medical Review System (to be known as Project No. 3585-A1 - Ltr. Dtd. 7/10/73 - Departments of Preventive Medicine and Pediatrics).  
Gross Value - \$30,000.00.

III. REPORT OF RESEARCH CONTRACTS, GRANTS, GIFTS, AND AGREEMENTS  
(continued)

F. The Ohio State University Research Foundation (continued)

3. Industrial, Subcontracts, and Other Non-Federal  
Research Contracts/Grants (continued)

- k. World Health Organization, Geneva, Switzerland, Evaluation of Active Immunization with Subunits and Fragments of hCG as a Fertility Control Method (to be known as Project No. 3686-B1 - New - Department of Obstetrics and Gynecology).  
Gross Value - \$75,000.00.
- l. Leukemia Society of America, New York, New York, Metabolic Characteristics of the Cellular Immune Response (to be known as Project No. 3706-A1 - New - Department of Medicine).  
Gross Value - \$19,916.00.
- m. Abbott Laboratories, North Chicago, Illinois, Subcontract between Abbott Laboratories and The Ohio State University Research Foundation (to be known as Project No. 3713-A1 - New - Department of Obstetrics and Gynecology).  
Gross Value - \$44,000.00.
- n. University of Alaska, Tundra Biome Center, College, Alaska, The Structure and Function of the Tundra Ecosystem (to be known as Project No. 3717-A1 - New - Institute of Polar Studies).  
Gross Value - \$6,167.00.
- o. University of Alaska, Tundra Biome Center, College, Alaska, The Structure and Function of the Tundra Ecosystem (to be known as Project No. 3718-A1 - New - Institute of Polar Studies).  
Gross Value - \$15,000.00.
- p. American Iron and Steel Institute, New York, New York, Substitute Fluxes for the BOF (to be known as Project No. 3732-A1 - New - Department of Metallurgical Engineering).  
Gross Value - \$7,700.00.
- q. The Toledo Edison Company, Toledo, Ohio, Investigation on the Aquatic Environment in the Vicinity of Davis-Besse Power Plant (to be known as Project No. 3752-A1 - New - College of Biological Sciences).  
Gross Value - \$28,588.00.

TOTAL - Industrial, Subcontracts, and Other Non-Federal  
Research Contracts/Grants \$591,633.00



III. REPORT OF RESEARCH CONTRACTS, GRANTS, GIFTS, AND AGREEMENTS  
(continued)

G. The Engineering Experiment Station

1. Government Research Contracts

EES 356X Ext. #4	A Laboratory and Field Durability Study of Asphaltic Mixtures, Ohio Department of Transportation, Columbus, Ohio. Gross Value - \$48,384.00.
EES 429X Ext. #1	Development of a Land Use Data System and Recommend Resource Evaluation Functions, Ohio Department of Natural Resources, Columbus, Ohio. Gross Value - \$26,993.00.
EES 442X	Trace Metal Detection in Aquatic Environments by Activation Analysis of an Invertebrate Organism, U. S. Department of the Interior, Washington, D. C. Gross Value - \$14,058.00.
EES 444X	Oxidation of Ammonia by Ferrates (VI) and (IV) in Water, U. S. Department of the Interior, Washington, D. C. Gross Value - \$3,229.00.
EES 445X	Chemical Aspects of the Toxicity of Chlorinated Effluents, U. S. Department of the Interior, Washington, D. C. Gross Value - \$10,828.00.
EES 446X	Public Information of Water Resources: Content and Exposure, U. S. Department of the Interior, Washington, D. C. Gross Value - \$12,778.00.
EES 447X	Stream Deoxygenation Rates, U. S. Department of the Interior, Washington, D. C. Gross Value - \$9,499.00.
EES 449X	The Aquatic Environment and Fish Community Below Hoover Dam, Franklin County, Ohio - A Post Impoundment Study, U. S. Department of the Interior, Washington, D. C. Gross Value - \$5,383.00.
EES 450X	Director's Account, OWRR FY Allotment Program, U. S. Department of the Interior, Washington, D. C. Gross Value - \$25,647.00.

III. REPORT OF RESEARCH CONTRACTS, GRANTS, GIFTS, AND AGREEMENTS

(continued)

G. The Engineering Experiment Station (continued)

1. Government Research Contracts (continued)

EES 456X      Unreclaimed Strip Mined Lands Study, U. S. Department  
of the Interior, Washington, D. C.  
Gross Value - \$43,757.00.

EES 457X      Study of Pavement Overlay Design, Ohio Department  
of Transportation, Columbus, Ohio.  
Gross Value - \$48,000.00.

TOTAL - Government Research Contracts \$248,556.00

2. Industrial Research Contracts

EES 325X      RP66-OS Phase III, Simulation and Validation of Building  
Ext. #4      Environmental Control Systems for Energy Conservation,  
American Society of Heating, Refrigerating and Air Condi-  
tioning Engineers, Inc., New York, New York.  
Gross Value - \$24,000.00.

EES 404X      Pipe Location - Phase I, II, III, Columbia Gas Systems  
Ext. #2      Service Corporation, Columbus, Ohio.  
Gross Value - \$3,000.00.

EES 426X      Research on the Evaluation of Fire Safety in the Design  
Ext. #1      and Construction of the Cleveland-Cuyahoga County Judicial  
Center, Prindle, Patrick and Partners, Cleveland, Ohio.  
Gross Value - \$32,613.00.

EES 455X      Developing an Interface Between Engineering and the  
Social Sciences, A. P. Sloan Foundation, New York,  
New York.  
Gross Value - \$230,900.00.

EES 458X      Research on the Development and Evaluation of Building  
Construction Systems Using Lightweight Structural Insulat-  
ing Concrete, Major Frame-Crete, Inc., Erice, Ohio.  
Gross Value - \$25,578.00.

TOTAL - Industrial Research Contracts \$316,091.00

III. REPORT OF RESEARCH CONTRACTS, GRANTS, GIFTS, AND AGREEMENTS  
(continued)

H. The Ohio State University Development Fund

1. Gifts of \$5,000 or More

- a. \$50,000.00 from the Estate of Janet French Houston, Newark, New Jersey, for support of fellowships in Engineering Graphics, College of Engineering.
- b. \$35,000.00 from the E. F. Wildermuth Foundation, Columbus, Ohio, for scholarships and loans in the College of Optometry.
- c. \$30,666.19 from The Associates of Medicine, Columbus, Ohio, to continue their support of the Department of Medicine General Fund.
- d. \$30,000.00 from Battelle Memorial Institute, Columbus, Ohio, for its Professorship in Metallurgical Engineering.
- e. \$25,000.00 from IBEW Local 683, Columbus, Ohio, for a scholarship fund for undergraduate students.
- f. \$25,000.00 from International Nickel Company of Canada, Ltd., New York, New York, for their Professorship in Corrosion Science and Engineering.
- g. \$12,000.00 from the Central Ohio Lung Association, Columbus, Ohio, to support a medical fellowship grant in pulmonary diseases.
- h. \$10,600.00 from the Searle Diagnostic, Inc., Columbus, Ohio-- \$8,100.00 for research in gastrointestinal cancer and \$2,500.00 for research in gastroenterology.
- i. \$10,000.00 from the Estate of Florence L. Lloyd, Columbus, Ohio, for establishment of a scholarship fund in Home Economics.
- j. \$10,000.00 from Mr. Hewitt A. Gehres, Mt. Vernon, Ohio, for a purpose to be designated at a later date.
- k. \$9,875.00 from the Refractories Institute, Pittsburgh, Pennsylvania, for research in the Department of Ceramic Engineering.
- l. \$8,000.00 from the Merck Company Foundation, Rahway, New Jersey, for the use of the Chairman of the Department of Dairy Science, for the development of young faculty members in the department.
- m. \$7,500.00 from the Procter and Gamble Company, Cincinnati, Ohio, to support the teaching and research activities that form a part of the Department's graduate program in the field of Veterinary Pathobiology.

III. REPORT OF RESEARCH CONTRACTS, GRANTS, GIFTS, AND AGREEMENTS  
(continued)

B. The Ohio State University Development Fund (continued)

1. Gifts of \$5,000 or More (continued)

- n. \$7,045.00 from Mr. and Mrs. Ralph W. Kurtz, Tampa, Florida, in support of research in the College of Medicine.
- o. \$6,000.00 from Ralston Purina Company, St. Louis, Missouri, for graduate research in mushroom physiology.
- p. \$5,000.00 from Allied Chemical Foundation, Morristown, New Jersey, for their fellowship fund in Chemistry.
- q. \$5,000.00 from Armco Foundation, Middletown, Ohio, for its Professorship in Metallurgy.
- r. \$5,000.00 from Mr. George H. Dunlap, Columbus, Ohio, for a purpose to be designated at a later date.
- s. \$5,000.00 from Fritz Straumann, Waldenburg, Switzerland, for support of research in Veterinary Surgery.

2. Establishment of Named Funds

- a. \$27,862.06 from friends of the Department of Obstetrics and Gynecology for the establishment of the Department of Obstetrics and Gynecology Endowment Fund.

Department of Obstetrics and Gynecology Endowment Fund

The Department of Obstetrics and Gynecology Endowment Fund was established September 7, 1973, by the Board of Trustees of The Ohio State University with gifts to The Ohio State University Development Fund from friends of the Department of Obstetrics and Gynecology, College of Medicine.

All gifts are to be invested in the University's Permanent Endowment Fund, under the rules and regulations adopted by the Board of Trustees of The Ohio State University, with the right to invest and reinvest as occasion dictates.

The annual income is to be used to support the activities of the Department of Obstetrics and Gynecology of the College of Medicine as requested by the Chairman of that Department and approved by the Dean of the College of Medicine and such other officials as the Board of Trustees may designate.

III. REPORT OF RESEARCH CONTRACTS, GRANTS, GIFTS, AND AGREEMENTS  
(continued)

H. The Ohio State University Development Fund (continued)

2. Establishment of Named Funds (continued)

a. Department of Obstetrics and Gynecology Endowment Fund (continued)

Should the Department of Obstetrics and Gynecology cease to exist, through any reorganization of the University, then the income may be used for any purpose whatsoever as determined by the Board of Trustees, with preference being given to the recommendations of the appropriate administrative official of the University who is then directly responsible for Obstetrics and Gynecology.

- b. \$5,000.00 from William E. Copeland, M. D., for the establishment of The William E. Copeland Fund in Obstetrics and Gynecology.

The William E. Copeland Fund in Obstetrics and Gynecology

The William E. Copeland Fund in Obstetrics and Gynecology was established September 7, 1973, by the Board of Trustees of The Ohio State University with gifts to The Ohio State University Development Fund from William E. Copeland, M. D., Columbus, Ohio.

All gifts are to be invested in the University's Permanent Endowment under the rules and regulations adopted by the Board of Trustees of The Ohio State University with the right to invest and reinvest as occasion dictates.

The annual income is to be added to the principal until the fund reaches \$10,000. At that time, the income is to be used: to provide support of staff research; supplement expenses of staff, students and residents attending educational meetings that are beneficial to the department and to the College of Medicine; assist students and residents within this department in any other way possible. The income is to be used in accordance with the suggestions of Dr. Copeland while he is a member of the University faculty so long as the suggestions do not conflict with policies of said Board of Trustees then in effect. After Dr. Copeland retires, the income may be used for purposes suggested by the Chairman of the Department of Obstetrics and Gynecology and approved by the Dean of the College of Medicine.

Should the Department of Obstetrics and Gynecology or the College of Medicine cease to exist through any reorganization of the University, then the income may be used by the Board of Trustees, with preference being given to the recommendations of the appropriate administrative official of the University who is then directly responsible for medical education.

IV. ADMINISTRATIVE OPERATIONS

Mr. Hilliker called upon Mr. Devenow to report on the Buildings and Grounds Committee meeting.

Mr. Devenow made the following statement:

Mr. Chairman, the Buildings and Grounds Committee met in Lima, Ohio, several weeks ago at which time we spent approximately three hours examining the administrative process of bidding, letting of contracts, the massive problems related to the University's Master Plan, the physical problems associated with the operation and maintenance of some 300 buildings and approximately 14 million square feet of space. I believe we have a major start toward getting an understanding on exactly what the problems are from a maintenance and obsolescence point of view. I think it's important that the Board is aware that a great many of these buildings have deteriorated substantially over the years which has greatly increased the cost of maintenance. For this reason, I think it's important for the Board to understand not only this University's space needs in support of program growth but it is essential that we recognize also the need for building replacement. Over the years many of the campus buildings have served their purpose well but now they should be replaced because of their high operating costs and further they are simply worn out. We are trying to draw a line somewhere between the needs as related to obsolescence and needs as related to growth, so we can give this Board a better picture of what's ahead for the University.

A. Architects or Engineers

1. University Activities Center, Selection of Architect/Engineer

President Enarson recommended that the Architect/Engineer firm of Samborn, Steketee, Otis and Evans, Inc., Toledo, Ohio, be employed to provide complete services for this project, including preliminary plans, basic drawings, working drawings, specifications, estimate of cost, other bidding documents, and supervision of construction.

The fee for this service will be negotiated between the Architect/Engineer firm and the Ohio Department of Public Works. The total cost of the project will be about \$10,000,000. The State of Ohio has provided \$5,000,000 and the University expects to raise an additional \$5,000,000 through private gifts.

Funds for this Architect/Engineer service have been provided from Budget Account 801295 (University Activities Center).

Upon motion of Dr. Sirak, seconded by Mr. Dunlap, the above recommendation was approved with six affirmative votes: Mr. Hilliker, Mr. Shocknessy, Mr. Dunlap, Dr. Sirak, Mrs. James, and Mr. Devenow.

IV. ADMINISTRATIVE OPERATIONS (continued)

B. Plans and Specifications

At the request of the President and/or his designee, it was recommended that the plans and specifications, bills of materials, and estimates of cost for the following projects be approved by the Board of Trustees.

1. Upham Hall--Air Conditioning and Electrical Improvements

This work includes complete electrical renovations, including new distribution systems, and completion of air conditioning by means of through-wall units.

Funds are budgeted in Budget Account 801267 (Hospital Capital Reserve).

2. Mirror Lake--Additional Lighting, Amphitheater Area

This work includes the installation of permanent additional lighting.

Funds are budgeted in Budget Account 125064 (Contract Repair).

3. Law Building Library, Relighting

This work includes removal of existing incandescent lighting, installation of fluorescent lighting, and rewire branch circuits.

Funds are budgeted in Budget Account 125064 (Contract Repair).

Upon motion of Mr. Dunlap, seconded by Dr. Sirak, the above recommendation was approved with six affirmative votes: Mr. Hilliker, Mr. Shocknessy, Mr. Dunlap, Dr. Sirak, Mrs. James, and Mr. Devenow. The Secretary was authorized and directed to sign the plans and specifications for the above projects for and on behalf of the Board of Trustees. The President and/or his designee was directed to proceed with a request for bids in the normal University manner, and if satisfactory bids are received, to proceed with the award of contracts. All action regarding this matter will be reported to the Board of Trustees at a later meeting.

C. Report of Award of Contracts

In accordance with authorization provided by the Board of Trustees, bids were taken on the projects listed below and the contracts were recommended for award. The action reported to the Board was as follows:

September 7, 1973 meeting, Board of Trustees

IV. ADMINISTRATIVE OPERATIONS (continued)

C. Report of Award of Contracts (continued)

1. Agricultural Administration Building--School  
of Natural Resources - Renovations

	<u>Low Bid</u>	<u>Est. of Cost</u>
<u>General Contract</u>		
(1 bid received 7-26-73, Rebid)		
Ed Ross Construction Co. (Westerville, Ohio)	\$ 14,200.00	\$ 15,500.00
<u>Heating, Ventilating, and Air Conditioning Contract</u>		
(3 bids received 7-19-73)		
Farber Corporation (Columbus)	9,490.00	12,000.00
<u>Electrical Contract</u>		
(3 bids received 7-26-73, Rebid)		
Mid-City Electric Company (Columbus)	<u>12,313.00</u>	<u>15,500.00</u>
<u>Total All Contracts</u>	<u>\$ 36,003.00</u>	<u>\$ 43,000.00</u>

Funds for this project have been included in Substitute H. B. 985, Utilities and Renovations, and is subject to the Governor's approval of the Capital Improvements Appropriation Bill.

2. Northwest Parking Ramp

	<u>Low Bid</u>	<u>Est. of Cost</u>
<u>Design and Construct Contract</u>		
(6 bids received 7-5-73)		
The John G. Ruhlin Construction Co. (Akron, Ohio)		
Base bid	\$1,287,000.00	\$1,400,000.00
Alt. G-3 - 8 ft. 0 in. Section addition to base bid structure	+ <u>47,000.00</u>	+ <u>30,000.00</u>
Total Contract	<u>\$1,334,000.00</u>	<u>\$1,430,000.00</u>

Funds for this project have been provided from Budget Account 801289 (Northwest Parking Facility).



September 7, 1973 meeting, Board of Trustees

IV. ADMINISTRATIVE OPERATIONS (continued)

C. Report of Award of Contracts (continued)

3. University Hospital--New Desuperheating Station, North Wing

	<u>Low Bid</u>	<u>Est. of Cost</u>
<u>Plumbing Contract</u> (3 bids received 7-25-73, Rebid) Air Control Mechanical Contractors (New Albany, Ohio)	\$ 29,992.00	\$ 31,500.00

Funds for this project have been provided from Budget Account 960200 (Hospital Rotary).

4. Tennis Courts - Repairs and Restoration

	<u>Low Bid</u>	<u>Est. of Cost</u>
<u>General Contract</u> (1 bid received 8-15-73) Ritz Paving Company, Inc. (Columbus)	\$ 84,840.00	\$ 89,600.00

Funds for this project have been provided from Budget Account 125064 (Contract Repair).

5. Laneview Service Center--Railroad Siding

	<u>Low Bid</u>	<u>Est. of Cost</u>
<u>General Contract</u> (3 bids received 8-23-73) Interstate Construction (Youngstown, Ohio)	\$ 65,900.00	\$ 73,003.95

Funds for this project have been provided from Budget Account 801211 (Olentangy Freeway Relocation--to be reimbursed by State of Ohio).

6. McPherson Laboratory--Repair and Replacement of Roof and Deck

	<u>Low Bid</u>	<u>Est. of Cost</u>
<u>General Contract</u> (2 bids received 8-29-73) Waller & Lund, Inc. (Columbus)	\$ 135,870.00	\$ 150,200.00

September 7, 1973 meeting, Board of Trustees

IV. ADMINISTRATIVE OPERATIONS (continued)

C. Report of Award of Contracts (continued)

6. McPherson Laboratory--Repair and Replacement of Roof and Deck  
(continued)

Funds for this project have been provided from Budget Account 125064 (Contract Repair).

Upon motion of Mr. Devenow, seconded by Mr. Dunlap, the above award of contracts and expenditure of funds were approved and the action of the President and/or his designee was ratified by five affirmative votes: Mr. Hilliker, Mr. Dunlap, Dr. Sirak, Mrs. James, and Mr. Devenow.

D. Other Actions

1. Easement - Marion Campus Sewer Line

The Marion County Engineers have requested a sanitary sewer easement on State of Ohio lands that have been designated for use of The Ohio State University, Marion Campus. Marion County desires this easement. The University will have the right to future taps to the system.

It was recommended that the President and/or his designee be authorized to request the Director of Public Works pursuant to his statutory duties to act on behalf of the University in developing the necessary legal instruments to provide for the sanitary sewer easement.

2. Construction Contracts - Request for Approval of Extras

President Enarson requested that the Board approve increases in the total contract cost of the following project:

West Campus--Fifth Building (Proposals total - \$46,687.00)

Ground Floor Level - Since funds for the sixth building on the West Campus were not reappropriated, it is necessary to revise plans for the fifth building (which is now under construction). The revised plans will increase the cost of the fifth building by \$46,687.00. Contingency funds of \$63,700.00 are available to cover the cost of these revisions.

Tabulation of Proposals for West Campus--Fifth Building

General Contract	Deduct	\$15,580.00
Plumbing Contract	Add	1,200.00
Heating, Ventilating, and Air Conditioning Contract	Add	36,777.00
Electrical Contract	Add	<u>24,290.00</u>
Total for Extra Work to West Campus--Fifth Building		<u>\$46,687.00</u>

IV. ADMINISTRATIVE OPERATIONS (continued)

D. Other Actions (continued)

3. Lease: Cooperative Extension Service of The Ohio State University and Mahoning County Commissioners

The Cooperative Extension Service has requested to lease at no cost to the University 1.71 acres of land at Canfield, Mahoning County, Ohio, to construct and operate an Area Extension Center. Land to be leased is owned by the Mahoning County Commissioners.

It was recommended that the President and/or his designee be authorized to request that the Director of Public Works, pursuant to his statutory duties, act on behalf of the University in consummating the lease and in developing the necessary legal instruments to provide for the sanitary sewer easement and other utility requirements.

4. Lease Agreement - Board of Trustees of The Ohio State University and the Board of Control of the Ohio Agricultural Research and Development Center

Section 903.011, Ohio Revised Code, provides that the Board of Control of the Ohio Agricultural Research and Development Center may enter into a lease with the Board of Trustees of The Ohio State University authorizing said Board of Trustees of The Ohio State University the use of lands for the construction and operation of educational facilities.

The Center has custody and control of certain lands owned by the State of Ohio and located in Franklin Township, Jackson County, Ohio.

It is the desire of the parties hereto that the University have the use of these lands for the construction and operation of an Area Extension Center and related facilities.

The parties propose utilization of the land in accordance with the provisions of Section 903.011, Ohio Revised Code.

It was recommended that the President and/or his designee be authorized to act on behalf of the University to enter into a lease agreement between the Board of Control of the Ohio Agricultural Research and Development Center and the Board of Trustees of The Ohio State University to provide for the lease of 5 acres for the construction and operation of an Area Extension Center and related facilities located in Franklin Township, Jackson County, Ohio.

Upon motion of Mr. Devenow, seconded by Dr. Sirak, the Board of Trustees approved the foregoing recommendations with five affirmative votes: Mr. Hilliker, Mr. Dunlap, Dr. Sirak, Mrs. James, and Mr. Devenow.

\*

\*

\*

September 7, 1973 meeting, Board of Trustees

V. REPORTS

A. Expenses for Designated Administrative Officials

Mr. Dunlap moved that the Finance Committee be authorized to provide from the unrestricted gifts to the University Endowment Fund on an appropriate basis, to the President and designated University officials, reimbursement for expenditures which are directly and necessarily related to the performance of their assigned responsibilities and in the best interests of the University.

Dr. Sirak seconded the motion which was approved by unanimous roll call vote.

B. Report on the University's Investment Portfolio

The report dated August 31, 1973, as submitted to the Finance Committee of the Board of Trustees by Mr. Ernest W. Leggett pertaining to the University's Investment Portfolio, was received and ordered to be filed with the official records of the Board of Trustees.

\*

\*

\*

Mr. Hilliker introduced Dr. William B. Shook, a member of the Steering Committee of the University Senate, who was attending the meeting.

Mr. Hilliker expressed his support for continuing "Trustee Day" which was initiated last year and requested that the Secretary pursue with Dennis Sargent, President of the Undergraduate Student Body, the students' interest in continuing this concept and with the students' support to select a suitable date, preferably in October, for this event.

\*

\*

\*

Thereupon the Board adjourned to meet Friday, October 5, 1973, at The Ohio State University Fawcett Center for Tomorrow, Columbus, Ohio, at 1:30 p. m.

Attest:

\_\_\_\_\_  
Edward Q. Moulton  
Secretary

\_\_\_\_\_  
Don M. Hilliker  
Chairman

IV. ADMINISTRATIVE OPERATIONS (continued)

B. Plans and Specifications

At the request of the President and/or his designee, it was recommended that the plans and specifications, bills of materials, and estimates of cost for the following projects be approved by the Board of Trustees.

1. Upham Hall--Air Conditioning and Electrical Improvements

This work includes complete electrical renovations, including new distribution systems, and completion of air conditioning by means of through-wall units.

Funds are budgeted in Budget Account 801267 (Hospital Capital Reserve).

2. Mirror Lake--Additional Lighting, Amphitheater Area

This work includes the installation of permanent additional lighting.

Funds are budgeted in Budget Account 125064 (Contract Repair).

3. Law Building Library, Relighting

This work includes removal of existing incandescent lighting, installation of fluorescent lighting, and rewire branch circuits.

Funds are budgeted in Budget Account 125064 (Contract Repair).

Upon motion of Mr. Dunlap, seconded by Dr. Sirak, the above recommendation was approved with six affirmative votes: Mr. Hilliker, Mr. Shocknessy, Mr. Dunlap, Dr. Sirak, Mrs. James, and Mr. Devenow. The Secretary was authorized and directed to sign the plans and specifications for the above projects for and on behalf of the Board of Trustees. The President and/or his designee was directed to proceed with a request for bids in the normal University manner, and if satisfactory bids are received, to proceed with the award of contracts. All action regarding this matter will be reported to the Board of Trustees at a later meeting.

C. Report of Award of Contracts

In accordance with authorization provided by the Board of Trustees, bids were taken on the projects listed below and the contracts were recommended for award. The action reported to the Board was as follows:

September 7, 1973 meeting, Board of Trustees

IV. ADMINISTRATIVE OPERATIONS (continued)

C. Report of Award of Contracts (continued)

1. Agricultural Administration Building--School  
of Natural Resources - Renovations

	<u>Low Bid</u>	<u>Est. of Cost</u>
<u>General Contract</u>		
(1 bid received 7-26-73, Rebid)		
Ed Ross Construction Co.		
(Westerville, Ohio)	\$ 14,200.00	\$ 15,500.00
 <u>Heating, Ventilating, and Air Conditioning Contract</u>		
(3 bids received 7-19-73)		
Farber Corporation (Columbus)	9,490.00	12,000.00
 <u>Electrical Contract</u>		
(3 bids received 7-26-73, Rebid)		
Mid-City Electric Company		
(Columbus)	<u>12,313.00</u>	<u>15,500.00</u>
 <u>Total All Contracts</u>	 <u>\$ 36,003.00</u>	 <u>\$ 43,000.00</u>

Funds for this project have been included in Substitute H. B. 985, Utilities and Renovations, and is subject to the Governor's approval of the Capital Improvements Appropriation Bill.

2. Northwest Parking Ramp

	<u>Low Bid</u>	<u>Est. of Cost</u>
<u>Design and Construct Contract</u>		
(6 bids received 7-5-73)		
The John G. Ruhlin Construction Co. (Akron, Ohio)		
Base bid	\$1,287,000.00	\$1,400,000.00
Alt. G-3 - 8 ft. 0 in.		
Section addition to base bid structure	<u>+ 47,000.00</u>	<u>+ 30,000.00</u>
Total Contract	<u>\$1,334,000.00</u>	<u>\$1,430,000.00</u>

Funds for this project have been provided from Budget Account 801289 (Northwest Parking Facility).

September 7, 1973 meeting, Board of Trustees

IV. ADMINISTRATIVE OPERATIONS (continued)

C. Report of Award of Contracts (continued)

3. University Hospital--New Desuperheating Station, North Wing

	<u>Low Bid</u>	<u>Est. of Cost</u>
<u>Plumbing Contract</u> (3 bids received 7-25-73, Rebid) Air Control Mechanical Contractors (New Albany, Ohio)	\$ 29,992.00	\$ 31,500.00

Funds for this project have been provided from Budget Account 960200 (Hospital Rotary).

4. Tennis Courts - Repairs and Restoration

	<u>Low Bid</u>	<u>Est. of Cost</u>
<u>General Contract</u> (1 bid received 8-15-73) Ritz Paving Company, Inc. (Columbus)	\$ 84,840.00	\$ 89,600.00

Funds for this project have been provided from Budget Account 125064 (Contract Repair).

5. Laneview Service Center--Railroad Siding

	<u>Low Bid</u>	<u>Est. of Cost</u>
<u>General Contract</u> (3 bids received 8-23-73) Interstate Construction (Youngstown, Ohio)	\$ 65,900.00	\$ 73,003.95

Funds for this project have been provided from Budget Account 801211 (Olentangy Freeway Relocation--to be reimbursed by State of Ohio).

6. McPherson Laboratory--Repair and Replacement of Roof and Deck

	<u>Low Bid</u>	<u>Est. of Cost</u>
<u>General Contract</u> (2 bids received 8-29-73) Waller & Lund, Inc. (Columbus)	\$ 135,870.00	\$ 150,200.00

September 7, 1973 meeting, Board of Trustees

IV. ADMINISTRATIVE OPERATIONS (continued)

C. Report of Award of Contracts (continued)

6. McPherson Laboratory--Repair and Replacement of Roof and Deck  
(continued)

Funds for this project have been provided from Budget Account 125064 (Contract Repair).

Upon motion of Mr. Devenow, seconded by Mr. Dunlap, the above award of contracts and expenditure of funds were approved and the action of the President and/or his designee was ratified by five affirmative votes: Mr. Hilliker, Mr. Dunlap, Dr. Sirak, Mrs. James, and Mr. Devenow.

D. Other Actions

1. Easement - Marion Campus Sewer Line

The Marion County Engineers have requested a sanitary sewer easement on State of Ohio lands that have been designated for use of The Ohio State University, Marion Campus. Marion County desires this easement. The University will have the right to future taps to the system.

It was recommended that the President and/or his designee be authorized to request the Director of Public Works pursuant to his statutory duties to act on behalf of the University in developing the necessary legal instruments to provide for the sanitary sewer easement.

2. Construction Contracts - Request for Approval of Extras

President Enarson requested that the Board approve increases in the total contract cost of the following project:

West Campus--Fifth Building (Proposals total - \$46,687.00)

Ground Floor Level - Since funds for the sixth building on the West Campus were not reappropriated, it is necessary to revise plans for the fifth building (which is now under construction). The revised plans will increase the cost of the fifth building by \$46,687.00. Contingency funds of \$63,700.00 are available to cover the cost of these revisions.

Tabulation of Proposals for West Campus--Fifth Building

General Contract	Deduct	\$15,580.00
Plumbing Contract	Add	1,200.00
Heating, Ventilating, and Air Conditioning Contract	Add	36,777.00
Electrical Contract	Add	<u>24,290.00</u>
Total for Extra Work to West Campus--Fifth Building		<u><u>\$46,687.00</u></u>



IV. ADMINISTRATIVE OPERATIONS (continued)

D. Other Actions (continued)

3. Lease: Cooperative Extension Service of The Ohio State University and Mahoning County Commissioners

The Cooperative Extension Service has requested to lease at no cost to the University 1.71 acres of land at Canfield, Mahoning County, Ohio, to construct and operate an Area Extension Center. Land to be leased is owned by the Mahoning County Commissioners.

It was recommended that the President and/or his designee be authorized to request that the Director of Public Works, pursuant to his statutory duties, act on behalf of the University in consummating the lease and in developing the necessary legal instruments to provide for the sanitary sewer easement and other utility requirements.

4. Lease Agreement - Board of Trustees of The Ohio State University and the Board of Control of the Ohio Agricultural Research and Development Center

Section 903.011, Ohio Revised Code, provides that the Board of Control of the Ohio Agricultural Research and Development Center may enter into a lease with the Board of Trustees of The Ohio State University authorizing said Board of Trustees of The Ohio State University the use of lands for the construction and operation of educational facilities.

The Center has custody and control of certain lands owned by the State of Ohio and located in Franklin Township, Jackson County, Ohio.

It is the desire of the parties hereto that the University have the use of these lands for the construction and operation of an Area Extension Center and related facilities.

The parties propose utilization of the land in accordance with the provisions of Section 903.011, Ohio Revised Code.

It was recommended that the President and/or his designee be authorized to act on behalf of the University to enter into a lease agreement between the Board of Control of the Ohio Agricultural Research and Development Center and the Board of Trustees of The Ohio State University to provide for the lease of 5 acres for the construction and operation of an Area Extension Center and related facilities located in Franklin Township, Jackson County, Ohio.

Upon motion of Mr. Devenow, seconded by Dr. Sirak, the Board of Trustees approved the foregoing recommendations with five affirmative votes: Mr. Hilliker, Mr. Dunlap, Dr. Sirak, Mrs. James, and Mr. Devenow.

\*

\*

\*

V. REPORTS

A. Expenses for Designated Administrative Officials

Mr. Dunlap moved that the Finance Committee be authorized to provide from the unrestricted gifts to the University Endowment Fund on an appropriate basis, to the President and designated University officials, reimbursement for expenditures which are directly and necessarily related to the performance of their assigned responsibilities and in the best interests of the University.

Dr. Sirak seconded the motion which was approved by unanimous roll call vote.

B. Report on the University's Investment Portfolio

The report dated August 31, 1973, as submitted to the Finance Committee of the Board of Trustees by Mr. Ernest W. Leggett pertaining to the University's Investment Portfolio, was received and ordered to be filed with the official records of the Board of Trustees.

\* \* \*

Mr. Hilliker introduced Dr. William B. Shook, a member of the Steering Committee of the University Senate, who was attending the meeting.

Mr. Hilliker expressed his support for continuing "Trustee Day" which was initiated last year and requested that the Secretary pursue with Dennis Sargent, President of the Undergraduate Student Body, the students' interest in continuing this concept and with the students' support to select a suitable date, preferably in October, for this event.

\* \* \*

Thereupon the Board adjourned to meet Friday, October 5, 1973, at The Ohio State University Fawcett Center for Tomorrow, Columbus, Ohio, at 1:30 p. m.

Attest:

\_\_\_\_\_  
Edward Q. Moulton  
Secretary

\_\_\_\_\_  
Don M. Hilliker  
Chairman

Page 187 Blank

Page 188 Blank

THE OHIO STATE UNIVERSITY  
OFFICIAL PROCEEDINGS OF THE  
ONE THOUSAND AND NINETIETH MEETING  
OF THE BOARD OF TRUSTEES

Columbus, Ohio, October 5, 1973

The Board of Trustees met at its regular monthly meeting on Friday, October 5, 1973, at The Ohio State University Fawcett Center for Tomorrow, Columbus, Ohio, pursuant to adjournment.

Present: Don M. Hilliker, Chairman, James W. Shocknessy, William C. Safford, John H. Dunlap, M. Merle Harrod, John L. Gushman, Howard D. Sirak, Patricia D. James, and Chester Devenow.

\* \* \*

No action taken on minutes of the last meeting.

\* \* \*

REPORT BY CHAIRMAN

Mr. Hilliker read a letter from the President of the Undergraduate Student Body, Dennis Sargent, and the Vice President of the Student Body, Sharon Farmer, inviting the Trustees' participation again this year in "Trustee Day" initiated last year. He accepted the invitation on behalf of the Board and requested that the Secretary arrange an appropriate date with the Undergraduate Student Government.

- o -

RESOLUTION IN MEMORIAM

President Enarson reported to the Board the death of Wilson R. Dumble, Assistant Professor Emeritus in the Department of English. In accordance with the instructions of the Board of Trustees, a copy of the following resolution expressing on behalf of the University the sorrow and sympathy of the Board will be furnished the family of the deceased.

A. Wilson R. Dumble

The Board of Trustees of The Ohio State University expresses its sorrow at the death on August 30, 1973, of Wilson R. Dumble, Assistant Professor Emeritus in the Department of English.

Professor Dumble was born in Marion, Ohio, in 1895. He taught at Marion Harding High School, served overseas during World War I, and received his B. S. and M. A. degrees from Ohio State. He became a member of the faculty in 1931 and served continuously until his retirement in 1965.

Professor Dumble was a popular teacher with the many students who took his courses on modern literature, and he was widely known in the community. For many years he conducted radio programs on literature for WOSU, including a radio twilight course, a book review course, and, later, his very popular "In the Bookstall." He was much sought after as a speaker to civic groups, and in this role he performed a valuable function for the University.

On behalf of the University, the Board of Trustees expresses to the family its deep sympathy and sense of understanding in its loss. It was directed that this resolution be inscribed upon the minutes of the Board of Trustees and that a copy be tendered to the family as a humble expression of the Board's heartfelt sympathy in its bereavement.

\*

\*

\*

President Enarson presented the following recommendations:

I. GENERAL RECOMMENDATIONS

A. Establishment of the Leo Yassenoff Chair  
in Philosophy and Jewish Studies

President Enarson recommended that the Leo Yassenoff Chair in Philosophy and Jewish Studies be designated in accordance with the wishes of the trustees of the Leo Yassenoff Foundation, Inc., and pursuant to an action by the Board of Trustees of The Ohio State University approved on March 3, 1972.

The Foundation has pledged annual support of the Yassenoff Chair and related programs, with at least three years notice if support is to be discontinued or reduced. The University has agreed that at some future date it will establish a fully endowed Chair as a permanent memorial to Leo Yassenoff if the Foundation provides a grant of not less than \$500,000 to be added to the University's permanent endowment portfolio, with annual income used for support of the Chair or related programs.

This designated Chair will provide an opportunity for substantial improvement of the Ohio State program in Jewish Studies which has already been widely recognized by universities and Judaica scholars throughout the country.

Upon motion of Mr. Shocknessy, seconded by Mr. Safford, the Board of Trustees by unanimous voice vote approved the establishment of the Leo Yassenoff Chair in Philosophy and Jewish Studies.

B. Amendments to By-Laws of the Board of Trustees  
and Rules for the University Faculty

In accordance with Article IX of the By-Laws of the Board of Trustees, President Enarson recommended that the By-Laws of the Board of Trustees and Rules for the University Faculty be amended as indicated in the following pages to be in compliance with the administrative reorganization adopted by the Board of Trustees at the September 7, 1973, meeting. It was recommended further that the Secretary incorporate the appropriate change in titles and responsibilities in the Rules for the University Faculty to reflect the new authorities.

Upon motion of Mr. Gushman, seconded by Mr. Harrod, the Board of Trustees approved the foregoing recommendations by unanimous roll call vote, and the Secretary was instructed to incorporate these changes in the next printing of the By-Laws of the Board of Trustees and Rules for the University Faculty.

\*

\*

\*

## ARTICLE III

### ADMINISTRATION OF THE UNIVERSITY

#### Section 1. Office of the President.

The Office of the President shall consist of 1) the President, 2) the Executive Assistant to the President and Director of Budget and Resources Planning, 3) the Special Assistants to the President, 4) the University Ombudsman, and 5) the Affirmative Action Officer.

The Office of the President shall include such additional officers as the President, with the consent of the Board, may from time to time appoint.

#### Section 5. President's Staff.

The President's Staff shall consist of the President, the Provost, the Vice President for Business and Administration, the Vice President for Student Services, the Vice President for Medical Affairs, the Vice President for Regional Campuses, the Vice President for Educational Services, the Vice President for University Development, the Executive Assistant and Director of Budget and Resources Planning, and Special Assistants.

Each member of the President's Staff shall have a major area of responsibility as assigned to him by the President with the consent of the Board of Trustees. He shall, subject to the control of the President, exercise authority within his major area of responsibility and such other areas as may be assigned to him by the President from time to time.

Assignment of specific areas of responsibility to members of the President's Staff shall be made by the President with the approval of the Board of Trustees.

#### Section 6. Provost.

The major area of responsibility and authority of the Provost shall be that of all academic matters of the University including instructional, research, and faculty affairs. Without limiting the generality of the foregoing, the Provost shall, under the direction of the President and with the approval of the Board of Trustees, be responsible and have the requisite authority to provide coordinated leadership for: the development and evaluation of curricular patterns and teaching methods; the development and appraisal of research with particular concern for interdisciplinary and multidisciplinary programs; the securing and administering of governmental, industrial and foundation support for academic programs; the coordination of research with instruction; and the selection, promotion, professional development, tenure and compensation of the instructional and research personnel; through the Office for the Coordination of Minority Affairs and in cooperation with the other existing agencies of the University, the development and maintenance of supplemental programs for the recruitment, orientation, counseling, tutoring, and financial assistance for minority students and the search for necessary funds to support these programs; through the constituent academic divisions, the appraisal of the effectiveness of academic counseling and devising organization and procedures to improve its effectiveness; in cooperation



## Section 6. The Provost. (continued)

with the Vice President for Educational Services, the development of the University libraries and other learning resources; in cooperation with the Vice President for Regional Campuses, the development of the four Regional Campuses of the University; the administrative coordination of The Ohio State University Research Foundation; and as a deputy of the President of the University, be responsible for the coordination of all matters administratively assigned to the other Vice Presidents of the University which relate to the academic program of the University.

## Section 7. Vice President for Business and Administration.

The major area of responsibility and authority of the Vice President for Business and Administration shall be that of the administration of the University operations. Without limiting the generality of the foregoing, the Vice President for Business and Administration shall, under the direction of the President and with the approval of the Board of Trustees, be responsible and have the requisite authority for: the conduct and evaluation of all business and administrative activities and procedures, including management improvement programs; financial and business management; the development, allocation, utilization, and maintenance of the physical facilities; the administration of the Offices of Public Safety, Administrative Systems, Fiscal Affairs, the Treasurer of the University, Personnel Services, University Admissions, Registration, and Records, and Systems Computer Center; and as a deputy of the President of the University, be responsible for the coordination of all matters administratively assigned to the other Vice Presidents which relate to the business and administrative areas of the University.

## Section 8. Secretary of the Board of Trustees.

The major area of responsibility and authority of the Secretary of the Board of Trustees shall be that of custodian of the official books and records of the Board.

## Section 9. Vice President for Student Services.

The major area of responsibility and authority of the Vice President for Student Services shall be that of student services at the University. Without limiting the generality of the foregoing, the Vice President for Student Services shall, under the direction of the President and with the approval of the Board of Trustees, be responsible and have the requisite authority for: the promulgation of rules governing student conduct both on and off campus; the coordination of student extracurricular activities including all student (or student-connected) organizations; the administration of all residence and dining hall facilities; nonacademic student discipline; and the administration of student health service; University Union facilities and programs; student athletic programs including intercollegiate athletics, recreation and intramural programs; counseling; student financial aids and scholarships; and off-campus student housing.

#### Section 10. Vice President for University Development.

The major area of responsibility and authority of the Vice President for University Development shall be that of general University development. Without limiting the generality of the foregoing, the Vice President for University Development shall, under the direction of the President and with the approval of the Board of Trustees, be responsible and have the requisite authority for: the administration of all aspects of University development including the coordination of all University and related offices involved in resource development, fund raising, public relations, community relations, alumni affairs, alumni records and information services, governmental liaison and legislative relations; the development and administration of internal and external communications, including University publications; the coordination of special events; and the administrative coordination of The Ohio State University Development Fund.

#### Section 11. Vice President for Educational Services.

The major area of responsibility and authority of the Vice President for Educational Services shall be that of the educational services of the University. Without limiting the generality of the foregoing, the Vice President for Educational Services shall, under the direction of the President, through the appropriate coordinating deputy and with the approval of the Board of Trustees, be responsible and have the requisite authority for: the development and administration of policies and operating procedures for continuing education programs; University libraries, the Telecommunications Center and other learning resources; the development of instructional programs of the Departments of Air Force Aerospace Studies, Military Science, and Naval Science; the University Archives; and Film and Photography.

#### Section 13. Vice President for Regional Campuses.

The major area of responsibility and authority of the Vice President for Regional Campuses shall be that of the general administration of the regional campuses of the University. Without limiting the generality of the foregoing, the Vice President for Regional Campuses shall, under the direction of the President, through the appropriate coordinating deputy and with the approval of the Board of Trustees, be responsible and have the requisite authority for: the development and administration of policies and operating procedures for each of the regional campuses of the University; the coordination of the academic programs offered through these units with the administrative officials of the Colleges of the University; and the coordination of nonacademic matters with the principal administrative officials who have University-wide responsibility for such matters.

#### Section 14. Executive Assistant to the President and Director of Budget and Resources Planning.

The major area of responsibility of the Executive Assistant to the President and Director of Budget and Resources Planning shall be that of capital and current funds budgeting, including analyses and planning of resource needs and allocations.

Section 14. Executive Assistant to the President and Director of Budget and Resources Planning. (continued)

Without limiting the generality of the foregoing, the Executive Assistant to the President and Director of Budget and Resources Planning shall, under the direction of the President, be responsible for: formulation, review and monitoring of capital and current funds budgets; long-range resources analysis and planning, including cost implications of proposed programs; projections of enrollments and all factors bearing on future resource requirements and availabilities in the context of the mission and goals of the University.

Section 15. Special Assistants to the President.

The Special Assistants to the President shall render such service and have such responsibility and authority as the President may from time to time direct.

Section 16. Council of Deans.

The President of the University, the Provost, the Deans of the Colleges, the Associate Provost for Instruction, the Vice Provost for Research and Dean of the Graduate School, and the Vice Provost for Arts and Sciences shall comprise the Council of Deans of the University. The President shall be Chairman of the Council, the Provost shall be Vice Chairman, and the Associate Provost for Instruction the Secretary. In the temporary absence of the President, the duties of the presiding officer shall be assumed by the Provost.

The Council of Deans shall meet on the call of the Chairman. The Council of Deans shall serve as an advisory council to the President.

Section 17. President and Staff Committees.

The President and each member of the President's Staff shall have authority to designate advisory committees to advise in affairs relating to the University. Those committees shall have such responsibilities as are assigned to them and their membership shall be determined by the person designating the committee.

11.00. Administration of The Ohio State University

11.01. Office of the President.\*

The Office of the President shall consist of 1) the President, 2) the Executive Assistant to the President and Director of Budget and Resources Planning, 3) the Special Assistants to the President, 4) the University Ombudsman, and 5) the Affirmative Action Officer.

The Office of the President shall include such additional officers as the President, with the consent of the Board, may from time to time appoint.

11.07. Special Assistants to the President.\*

The Special Assistants to the President shall render such service and have such responsibility and authority as the President may from time to time direct.

11.11. President's Staff.\*

The President's Staff shall consist of the President, the Provost, the Vice President for Business and Administration, the Vice President for Student Services, the Vice President for Medical Affairs, the Vice President for Regional Campuses, the Vice President for Educational Services, the Vice President for University Development, the Executive Assistant and Director of Budget and Resources Planning, and Special Assistants.

Each member of the President's Staff shall have a major area of responsibility as assigned to him by the President with the consent of the Board of Trustees. He shall, subject to the control of the President, exercise authority within his major area of responsibility and such other areas as may be assigned to him by the President from time to time.

Assignment of specific areas of responsibility to members of the President's Staff shall be made by the President with the approval of the Board of Trustees.

11.1101. Provost.\*

Section 1. The Provost shall be the executive head of the Office of Academic Affairs and is the chief academic officer of the University.

Section 2. The major area of responsibility and authority of the Provost shall be that of all academic matters of the University including instructional, research, and faculty affairs. Without limiting the generality of the foregoing, the Provost shall, under the direction of the President and with the approval of the Board of Trustees, be responsible and have the requisite authority to provide coordinated leadership for: the development and evaluation of curricular patterns and teaching methods; the development and appraisal of research with particular concern for interdisciplinary and multidisciplinary programs; the securing and administering of governmental, industrial and foundation support for academic programs; the coordination of research with instruction; and the selection, promotion, professional

---

\*Rule initiated by Board of Trustees.

11.1101. Provost.\* (continued)

development, tenure, and compensation of the instructional and research personnel; through the Office for the Coordination of Minority Affairs and in cooperation with the other existing agencies of the University, the development and maintenance of supplemental programs for the recruitment, orientation, counseling, tutoring, and financial assistance for minority students and the search for necessary funds to support these programs; through the constituent academic divisions, the appraisal of the effectiveness of academic counseling and devising organization and procedures to improve its effectiveness; in cooperation with the Vice President for Educational Services, the development of the University libraries and other learning resources; in cooperation with the Vice President for Regional Campuses, the development of the four Regional Campuses of the University; the administrative coordination of The Ohio State University Research Foundation; and as a deputy of the President of the University, be responsible for the coordination of all matters administratively assigned to the other Vice Presidents of the University which relate to the academic program of the University.

Section 3. The principal administrative officials of the Office of the Provost shall include such associates as may be authorized from time to time.

11.1102. Vice President for Business and Administration.\*

Section 1. The Vice President for Business and Administration shall be the executive head of the Office of Business and Administration.

Section 2. The major area of responsibility and authority of the Vice President for Business and Administration shall be that of the administration of the University operations. Without limiting the generality of the foregoing, the Vice President for Business and Administration shall, under the direction of the President and with the approval of the Board of Trustees, be responsible and have the requisite authority for: the conduct and evaluation of all business and administrative activities and procedures, including management improvement programs; financial and business management; the development, allocation, utilization, and maintenance of the physical facilities; the administration of the Offices of Public Safety, Administrative Systems, Fiscal Affairs, the Treasurer of the University, Personnel Services, University Admissions, Registration, and Records, and Systems Computer Center; and as a deputy of the President of the University, be responsible for the coordination of all matters administratively assigned to the other Vice Presidents which relate to the business and administrative areas of the University.

Section 3. The principal administrative officials of the Office of Business and Administration shall include the Executive Director of Fiscal Affairs, and the Treasurer of the University; the Executive Director of Administrative Systems; the Executive Director of Personnel Services; the Assistant Vice President for Admissions, Registration, and Records; the Assistant Vice President for Business Management; the Assistant Vice President for Physical Facilities; the Director of the Systems Computer Center; the Director of Public Safety; the Director of Management Improvement; and such other associates as may be authorized from time to time.

---

\*Rule initiated by Board of Trustees.

11.1103. Secretary of the Board of Trustees.\*

Section 1. The Secretary of the Board of Trustees shall be custodian of and responsible for the official records of the Board.

Section 2. The major area of responsibility and authority of the Secretary of the Board of Trustees shall be that of maintaining the records of the Board. Without limiting the generality of the foregoing, the Secretary of the Board shall, under the direction of the President and with the approval of the Board of Trustees, be responsible and have the requisite authority for: signing, executing, and delivering in the name of the University all deeds, mortgages, bonds, contracts, and other instruments authorized by the Board; keep the minutes of all meetings of the Board and of the committees of the Board; and see that all notices are duly given in accordance with provisions of the Bylaws of the Board of Trustees.

11.1104. Vice President for Student Services.\*

Section 1. The Vice President for Student Services shall be the executive head of the Office of Student Services.

Section 2. The major area of responsibility and authority of the Vice President for Student Services shall be that of student services at the University. Without limiting the generality of the foregoing, the Vice President for Student Services shall, under the direction of the President and with the approval of the Board of Trustees, be responsible and have the requisite authority for: the promulgation of rules governing student conduct both on and off campus; the coordination of student extracurricular activities including all student (or student-connected) organizations; the administration of all residence and dining hall facilities; nonacademic student discipline; and the administration of student health service; University Union facilities and programs; student athletic programs including intercollegiate athletics, recreation and intramural programs; counseling; student financial aids and scholarships; and off-campus student housing.

Section 3. The principal administrative officials of the Office of Student Services shall be the Director of the Counseling Center, the Director of Student Health Service, the Director of Student Unions, the Director of Student Financial Aids, the Director of Athletics, the Assistant Vice President for Residence and Dining Hall Facilities, and such other associates as may be authorized from time to time.

11.1105. Vice President for University Development.\*

Section 1. The Vice President for University Development shall be the executive head of the Office of University Development.

Section 2. The major area of responsibility and authority of the Vice President for University Development shall be that of general University development. Without limiting the generality of the foregoing, the Vice President for University Development shall, under the direction of the President and with the approval of the Board of Trustees, be responsible and have the requisite authority for: the administration of all aspects of University development including the coordination of all University and related offices involved in resource development, fund raising, public relations, community relations, alumni affairs, alumni records and information services, governmental liaison and

---

\*Rule initiated by Board of Trustees.

11.1105. Vice President for University Development.\* (continued)

legislative relations; the development and administration of internal and external communications, including University publications; the coordination of special events; and the administrative coordination of The Ohio State University Development Fund.

Section 3. The principal administrative officials of the Office of University Development shall be the Coordinator of Legislative Relations, the Director of the Development Fund, the Director of Alumni Information Services, the Director of Public Relations, and such other associates as may be authorized from time to time.

11.1106. Vice President for Educational Services.\*

Section 1. The Vice President for Educational Services shall be the executive head of the Office of Educational Services.

Section 2. The major area of responsibility and authority of the Vice President for Educational Services shall be that of the educational services of the University. Without limiting the generality of the foregoing, the Vice President for Educational Services shall, under the direction of the President, through the appropriate coordinating deputy and with the approval of the Board of Trustees, be responsible and have the requisite authority for: the development and administration of policies and operating procedures for continuing education programs; University libraries, the Telecommunications Center and other learning resources; the development of instructional programs of the Departments of Air Force Aerospace Studies, Military Science, and Naval Science; the University Archives; and Film and Photography.

Section 3. The principal administrative officials of the Office of Educational Services shall be the Assistant Vice President for Continuing Education; the Director of the Teaching Aids Laboratory; the Director of the Listening Center; the Director of the Department of Film and Photography; the Director of University Libraries; the Director of University Archives; the Chairman of the Department of Military Science; the Chairman of the Department of Air Force Aerospace Studies; the Chairman of the Department of Naval Science; the Director of the Telecommunications Center; and such other associates as may be authorized from time to time.

11.1108. Vice President for Regional Campuses.\*

Section 1. The Vice President for Regional Campuses shall be the executive head of the Office of Regional Campuses.

Section 2. The major area of responsibility and authority of the Vice President for Regional Campuses shall be that of the general administration of the regional campuses of the University. Without limiting the generality of the foregoing, the Vice President for Regional Campuses shall, under the direction of the President, through the appropriate coordinating deputy and with the approval of the Board of Trustees, be responsible and have the requisite authority for: the development and administration of policies and operating procedures for each of the regional campuses of the University; the coordination of the academic programs offered through these units with the administrative officials of the Colleges of the University; and the coordination of nonacademic matters with the principal administrative officials who have University-wide responsibility for such matters.

---

\*Rule initiated by Board of Trustees.

11.1108. Vice President for Regional Campuses.\* (continued)

Section 3. The principal administrative officials of the Office of Regional Campuses shall be the Director of the Lima Campus, the Director of the Mansfield Campus, the Director of the Marion Campus, the Director of the Newark Campus, and such other associates as may be authorized from time to time.

11.1109. Executive Assistant to the President and Director of Budget and Resources Planning.\*

Section 1. The Executive Assistant to the President and Director of Budget and Resources Planning shall render such service and have such responsibility and authority as the President may from time to time direct and serve as Director of the Office of Budget and Resources Planning.

Section 2. The major area of responsibility of the Executive Assistant to the President and Director of Budget and Resources Planning shall be that of capital and current funds budgeting, including analyses and planning of resource needs and allocations. Without limiting the generality of the foregoing, the Executive Assistant to the President and Director of Budget and Resources Planning shall, under the direction of the President, be responsible for: formulation, review, and monitoring of capital and current funds budgets; long-range resources analysis and planning, including cost implications of proposed programs; projections of enrollments and all factors bearing on future resource requirements and availabilities in the context of the mission and goals of the University.

Section 3. The principal administrative officials of the Office of Budget and Resources Planning shall be the Executive Director of University Budget, the Director of Campus Planning and Space Utilization, the Director of Planning Studies, the Director of Special Projects, and such other associates as may be authorized from time to time.

11.1501. Council of Deans.\*

The President of the University, the Provost, the Deans of the Colleges, the Associate Provost for Instruction, the Vice Provost for Research and Dean of the Graduate School, and the Vice Provost for Arts and Sciences shall comprise the Council of Deans of the University. The President shall be Chairman of the Council, the Provost shall be Vice Chairman, and the Associate Provost for Instruction the Secretary. In the temporary absence of the President, the duties of the presiding officer shall be assumed by the Provost.

The Council of Deans shall meet on the call of the Chairman. The Council of Deans shall serve as an advisory council to the President.

11.1503. President and Staff Committees.\*

The President and each member of the President's Staff shall have authority to designate advisory committees to advise in affairs relating to the University. Those committees shall have such responsibilities as are assigned to them and their membership shall be determined by the person designating the committee.

---

\*Rule initiated by Board of Trustees.



October 5, 1973 meeting, Board of Trustees

## II. PERSONNEL ACTIONS

Personnel actions since the September 7, 1973 meeting of the Board, as recorded in the official "Salary Roll" of the University, include the following Appointments, Leaves of Absence Without Salary, and Emeritus Title:

### A. Appointments

Thomas A. Willke from Professor in the Division of Statistics to Vice Provost for Arts and Sciences, effective October 1, 1973, at a salary of \$25,248.00 per annum. Dr. Willke will continue to hold an academic appointment as Professor in the Division of Statistics at No Salary.

Samuel H. Osipow from Professor in the Department of Psychology to Professor and Acting Chairman of the Department of Psychology, effective October 1, 1973, at a salary of \$22,248.00 per annum.

Marvin Fox from Professor of Philosophy to Professor of the Leo Yassenoff Chair in Philosophy and Jewish Studies, effective October 1, 1973, at a salary of \$24,492.00 per annum.

### B. Leaves of Absence Without Salary

Ian W. Gregory, Professor and Chairman, Department of Psychiatry, effective November 1, 1973 through December 31, 1973, to accept an appointment on the General Hospital staff in Cornwall, Ontario.

Louis L. Bailin, Professor, Department of Electrical Engineering, effective October 1, 1973 through September 30, 1974, to participate in a management team at Thompson-Ramo-Woolridge Corporation, Radondo Beach, California.

Henry R. Velkoff, Professor, Department of Mechanical Engineering, effective October 1, 1973 through September 30, 1974, to work in army aviation research.

Swamy A. V. Paravastu, Professor, Department of Economics, effective October 1, 1973 through December 31, 1973, to continue as a consultant with the Board of Governors, Federal Reserve System, Washington, D. C.

Somasundaram Addanki, Associate Professor, Department of Pediatrics, effective June 11, 1973 through June 30, 1973, for personal reasons.

II. PERSONNEL ACTIONS (continued)

B. Leaves of Absence Without Salary (continued)

Shashikala A. Gogate, Assistant Professor, Department of Pathology, effective August 6, 1973 through September 21, 1973, for personal reasons.

James T. Tough, Associate Professor, Department of Physics, effective January 1, 1974 through September 30, 1974, to accept a Fellowship at the Scientific Research Council, St. Andrews, Scotland.

Beverly Koenig, Instructor, Cooperative Extension Service, effective January 1, 1974 through March 15, 1974, to participate in a program of professional improvement at Michigan State University.

Elmo Saunders, Instructor, University Libraries, effective October 1, 1973 through September 30, 1974, to engage in research in Africa.

C. Emeritus Title

Hollie W. Shupe, Office of University Architect, with the title University Architect Emeritus, effective October 1, 1973.

President Enarson recommended that the Appointments, Leaves of Absence Without Salary, Emeritus Title, and the personnel budget actions as recorded in the "Salary Roll" of the University be approved.

Upon motion of Mr. Harrod, seconded by Mr. Safford, the Board of Trustees approved the foregoing recommendation by unanimous roll call vote, and the Secretary was instructed to file these changes in the "Salary Roll," an official document of the University.

\*

\*

\*

October 5, 1973 meeting, Board of Trustees

III. REPORT OF RESEARCH CONTRACTS, GRANTS, GIFTS, AND AGREEMENTS

President Enarson recommended that the following contracts and grants negotiated and monies received for the month of August be accepted.

Summary for August 1973

	No. of Projects	Support Level
Office of Finance and Treasurer	19	\$1,126,152.00
The Ohio State University Research Foundation	89	2,637,044.55
The Engineering Experiment Station	3	455,980.00
	(Donors)	
The Ohio State University Development Fund	2,282	270,649.82

A detailed listing of the items in each section is shown on the following pages.

Upon motion of Mr. Safford, seconded by Mr. Dunlap, the research agreements between The Ohio State University and The Ohio State University Research Foundation for the contracts and grants reported herein, and the acceptance of the report from the Office of Finance and Treasurer and The Ohio State University Development Fund, including the establishment of named funds, were approved by unanimous voice vote.

III. REPORT OF RESEARCH CONTRACTS, GRANTS, GIFTS, AND AGREEMENTS

(continued)

A. Office of Finance and Treasurer

1. Federal Contracts/Grants

- a. \$52, 537.00 granted by Department of Health, Education, and Welfare, Public Health Service, National Institutes of Health, Bureau of Health Manpower Education, Bethesda, Maryland, for Health Professions Scholarship and Health Professions Student Loan, under the direction of the College of Medicine, for the period July 1, 1973 through June 30, 1974. (I. D. No. 1 7 45 0430 15 1)
- b. \$52, 537.00 granted by Department of Health, Education, and Welfare, Public Health Service, National Institutes of Health, Bureau of Health Manpower Education, Bethesda, Maryland, for Health Professions Scholarship and Health Professions Student Loan, under the direction of the College of Dentistry, for the period July 1, 1973 through June 30, 1974. (I. D. No. 2 7 45 0430 15 1)
- c. \$38, 575.00 granted by United States Department of Justice, Law Enforcement Assistance Administration, Des Plaines, Illinois, for Law Enforcement Education Program (LEEP), for the period July 1, 1973 through June 30, 1974. (Vendor Code 003090)
- d. \$38, 160.00 granted by Department of Health, Education, and Welfare, Public Health Service, National Institutes of Health, Bureau of Health Manpower Education, Bethesda, Maryland, for Health Professions Scholarship and Health Professions Student Loan, under the direction of the College of Veterinary Medicine, for the period July 1, 1973 through June 30, 1974. (I. D. No. 7 7 45 0430 15 1)
- e. \$30, 389.00 granted by Department of Health, Education, and Welfare, Public Health Service, Bethesda, Maryland, for Psychiatry (Child) - Training Grant, under the direction of the Department of Psychiatry, for the period July 1, 1973 through June 30, 1974. (Grant No. 5 T01 MH11296-06)
- f. \$100.00 granted by Department of Health, Education, and Welfare, Public Health Service, National Institutes of Health, Bureau of Health Manpower Education, Bethesda, Maryland, for Health Professions Scholarship, under the direction of the College of Pharmacy, for the period July 1, 1973 through June 30, 1974. (I. D. No. 5 7 45 0430 15 1)

III. REPORT OF RESEARCH CONTRACTS, GRANTS, GIFTS, AND AGREEMENTS

(continued)

A. Office of Finance and Treasurer (continued)

1. Federal Contracts/Grants (continued)

- g. \$69.00 granted by Department of Health, Education, and Welfare, Public Health Service, National Institutes of Health, Bureau of Health Manpower Education, Bethesda, Maryland, for Health Professions Scholarship, under the direction of the College of Optometry, for the period July 1, 1973 through June 30, 1974. (I. D. No. 4 7 45 0430 15 1)

TOTAL - Federal/Contracts/Grants \$212,367.00

2. State of Ohio Contracts/Grants

- a. \$112,388.00 granted by State of Ohio, Department of Education, Division of Vocational Education, Columbus, Ohio, for Local Education Agency Planning, under the direction of the Academic Faculty of Vocational-Technical Education, for the period July 1, 1973 through June 30, 1974. (EPDA Sub-Project 72052)
- b. \$97,249.00 granted by State of Ohio, Department of Education, Division of Vocational Education, Columbus, Ohio, for Occupational Analyses for 75 Occupations, under the direction of the Academic Faculty of Vocational-Technical Education, for the period July 1, 1973 through June 30, 1974. (EPDA Sub-Project 73042)
- c. \$95,000.00 granted by State of Ohio, Department of Education, Drug/Health Education Section, Columbus, Ohio, for organizing, developing, and implementing a working/writing project to create a drug education program for the inner-city student and for students enrolled in the educable mentally retarded classes of our State, under the direction of the School of Health, Physical Education, and Recreation for the period June 1, 1973 through June 30, 1974.
- d. \$66,149.00 granted by State of Ohio, Department of Education, Division of Vocational Education, Columbus, Ohio, for Development of and Training in the Use of a Management Information System by the State Staff, under the direction of the Academic Faculty of Vocational-Technical Education, for the period July 1, 1973 through June 30, 1974. (EPDA Sub-Project 73011)
- e. \$51,008.00 granted by State of Ohio, Department of Education, Division of Vocational Education, Columbus, Ohio, for Career Development Leadership Workshop, under the direction of the Academic Faculty of Vocational-Technical Education, for the period June 1, 1973 through June 30, 1974. (EPDA Sub-Project 72112)

III. REPORT OF RESEARCH CONTRACTS, GRANTS, GIFTS, AND AGREEMENTS

(continued)

A. Office of Finance and Treasurer (continued)

2. State of Ohio Contracts/Grants (continued)

- f. \$50,000.00 granted by State of Ohio, Department of Education, Division of Vocational Education, Columbus, Ohio, for establishment of a college laboratory center, under the direction of the Academic Faculty of Vocational-Technical Education, for the period ending December 31, 1973. (EPDA Project No. 72122)
- g. \$45,008.00 granted by State of Ohio, Department of Health, Columbus, Ohio, for Community Health Development Programs, under the direction of the Department of Preventive Medicine, for the period July 1, 1973 through June 30, 1974.
- h. \$44,000.00 granted by Ohio Board of Regents, Columbus, Ohio, for Columbus Metropolitan Area Management Advancement Program, under the direction of the College of Administrative Science. (Program No. 73-944-015)
- i. \$16,140.00 granted by Ohio Board of Regents, Columbus, Ohio, for Training Professionals to Work with the Educationally Disadvantaged Adults of Newark, Ohio, under the direction of The Ohio State University - Newark Branch. (Program No. 73-944-014)

TOTAL - State of Ohio Contracts/Grants \$576,942.00

3. Industrial and Other Contracts/Grants

- a. \$280,828.00 granted by The Ford Foundation, New York, New York, for continued support of a program to prepare principals and other administrators for schools in urban neighborhoods, under the direction of the College of Education, Academic Faculty of Education Administration, for the period June 16, 1973 through September 15, 1975. (Grant No. 690-0635C)
- b. \$40,015.00 granted by Education Task Force through New Detroit, Inc., Detroit, Michigan, for organizing the Detroit Decision Seminar and with preparation of maps, charts, and other data relevant to the seminar, under the direction of the Mershon Center for Education in National Security, for the period July 1, 1973 through June 30, 1974.
- c. \$16,000.00 granted by Muscular Dystrophy Associations of America, Inc., New York, New York, for purchase of a TE-4 Electromyogram with special adapters and attachments, under the direction of the Department of Physical Medicine.

TOTAL - Industrial and Other Contracts/Grants \$336,843.00

III. REPORT OF RESEARCH CONTRACTS, GRANTS, GIFTS, AND AGREEMENTS  
(continued)

B. The Ohio State University Research Foundation

1. Federal Research Contracts/Grants

- a. \$200,000.00 from Department of Health, Education, and Welfare, Social and Rehabilitation Service, Rehabilitation Services Administration, Washington, D. C., for Evaluation Project--Service Organization and Clients, under the direction of the Mershon Center for Education in National Security, for the period June 1, 1973 through May 31, 1974. (Project 3269-A3 - Ext. #2)
- b. \$145,796.00 from Department of Health, Education, and Welfare, Public Health Service, Health Services and Mental Health Administration, National Institute of Mental Health, Rockville, Maryland, for Methods for Prolonging Action of Narcotic Antagonists, under the direction of the College of Pharmacy, for the period June 1, 1973 through May 31, 1976. (Project 3740-A1 - New)
- c. \$103,000.00 from National Science Foundation, Washington, D. C., for Theory of Social Impact, under the direction of the Department of Psychology, for the period September 1, 1973 through August 31, 1975. (Project 3790-A1 - New)
- d. \$100,000.00 from Department of the Air Force, Air Force Systems Command, Headquarters 4950th Test Wing (Tech), Wright-Patterson Air Force Base, Ohio, for High Reynolds Number Transonic Testing Techniques, under the direction of the Department of Aeronautical and Astronautical Engineering, for the period June 30, 1971 through June 30, 1974. (Project 3273-A1 - Mod. #P00003)
- e. \$86,994.00 from Environmental Protection Agency, National Environmental Research Center, Cincinnati, Ohio, for Development of Predictive Models for Sanitary Landfill Gas Movement, under the direction of the Department of Civil Engineering, for the period June 29, 1973 through December 31, 1974. (Project 3733-A1 - New)
- f. \$74,796.00 from Department of the Navy, Naval Regional Procurement Office, Philadelphia Newport Division, Newport, Rhode Island, for Electro Magnetic Direction Finding Systems, under the direction of the Department of Electrical Engineering, ElectroScience Laboratory, for the period July 9, 1973 through June 30, 1974. (Project 3735-A1 - New)
- g. \$50,107.00 from Department of Health, Education, and Welfare, Public Health Service, National Institutes of Health, National Heart and Lung Institute, Bethesda, Maryland, for Structural Investigation on Glycosaminoglycans, under the direction of the Department of Chemistry, for the period September 1, 1973 through August 31, 1974. (Project 2516-F - Ext. #6)

III. REPORT OF RESEARCH CONTRACTS, GRANTS, GIFTS, AND AGREEMENTS  
(continued)

B. The Ohio State University Research Foundation (continued)

1. Federal Research Contracts/Grants (continued)

- h. \$50,000.00 from Department of Transportation, Federal Highway Administration, Washington, D. C., for Application of Fracture Mechanics for Improved Design of Bituminous Concrete, under the direction of the Department of Civil Engineering, for the period June 29, 1973 through December 30, 1974. (Project 3736-A1 - New)
- i. \$49,628.00 from Environmental Protection Agency, Headquarters Support Procurement Section, Washington, D. C., for Development and Implementation of Environmental Protection Agency Procurement Training Program, under the direction of the College of Administrative Science, Division of Continuing Education, for the period July 1, 1973 through March 22, 1974. (Project 3737-A1 - New)
- j. \$48,972.00 from Department of Health, Education, and Welfare, Public Health Service, National Institutes of Health, National Institute of Neurological Diseases and Stroke, Bethesda, Maryland, for Neuropharmacology of Isolated Neuroendocrine Systems, under the direction of the Department of Pharmacology, for the period September 1, 1973 through August 31, 1974. (Project 3529-A2 - Ext. #1)
- k. \$46,461.00 from Department of Health, Education, and Welfare, Public Health Service, National Institutes of Health, National Heart and Lung Institute, Bethesda, Maryland, for Pathogenesis of Coronary Atherosclerosis, under the direction of the Department of Pathology, for the period September 1, 1973 through August 31, 1974. (Project 2525-F - Ext. #6)
- l. \$45,216.00 from Department of Transportation, National Highway Traffic Safety Administration, Washington, D. C., for Effects of Noxious Gases on Driver Performance, under the direction of the Department of Industrial and Systems Engineering, for the period July 1, 1973 through April 30, 1974. (Project 3734-A1 - New)
- m. \$45,100.00 from National Science Foundation, Washington, D. C., for Chemical and Structural Relationships of the Intermediate Boron Hydrides, under the direction of the Department of Chemistry, for the period September 1, 1973 through August 31, 1974. (Project 3789-A1 - New)
- n. \$45,000.00 from Environmental Protection Agency, Ecological Effects Branch, Processes and Effects Division, Washington, D. C., for Propagation of Insect Viruses in Cultured Insect Cells, under the direction of the Department of Entomology, for the period July 23, 1973 through July 22, 1974. (Project 3745-A1 - New)



October 5, 1973 meeting, Board of Trustees

III. REPORT OF RESEARCH CONTRACTS, GRANTS, GIFTS, AND AGREEMENTS  
(continued)

B. The Ohio State University Research Foundation (continued)

1. Federal Research Contracts/Grants (continued)

- o. \$44,000.00 from National Science Foundation, Washington, D. C., for Factors Affecting Phloem Translocation in Plants, under the direction of the Department of Botany, for the period September 1, 1973 through August 31, 1975. (Project 3788-A1 - New)
- p. \$42,000.00 from National Science Foundation, Washington, D. C., for Conformational Studies of Biopolymers, under the direction of the Department of Biochemistry, for the period September 1, 1973 through August 31, 1975. (Project 3756-A1 - New)
- q. \$38,457.00 from Department of Health, Education, and Welfare, Public Health Service, National Institutes of Health, National Heart and Lung Institute, Bethesda, Maryland, for Wall Shear Stresses in Coronary Vessels, under the direction of the Departments of Veterinary Physiology and Pharmacology and Aeronautical and Astronautical Engineering, for the period October 1, 1973 through September 30, 1974. (Project 3797-A1 - New)
- r. \$35,180.00 from Department of Health, Education, and Welfare, Public Health Service, National Institutes of Health, National Institute of Neurological Diseases and Stroke, Bethesda, Maryland, for Development of Selective B-Adrenoreceptive Agents, under the direction of the College of Pharmacy, for the period September 1, 1973 through August 31, 1974. (Project 3798-A1 - New)
- s. \$35,143.00 from U. S. Atomic Energy Commission, Chicago Operations Office, Argonne, Illinois, for Methods, Computer Programs, and Approximations in Fast Reactor Design Basis Accident Calculations, under the direction of the Department of Mechanical Engineering, for the period October 1, 1972 through May 31, 1974. (Project 3588-A1 - Mod. #1)
- t. \$34,500.00 from National Science Foundation, Washington, D. C., for Comparative Functional Morphology of the Syrinx, under the direction of the Department of Zoology, for the period September 1, 1973 through August 31, 1975. (Project 3791-A1 - New)
- u. \$34,369.00 from Department of the Navy, Naval Air Development Center, Warminster, Pennsylvania, for On-Aircraft Antennas, under the direction of the Department of Electrical Engineering, ElectroScience Laboratory, for the period January 26, 1972 through December 31, 1973. (Project 3390-A1 - Mod. #P00003)

III. REPORT OF RESEARCH CONTRACTS, GRANTS, GIFTS, AND AGREEMENTS  
(continued)

B. The Ohio State University Research Foundation (continued)

1. Federal Research Contracts/Grants (continued)

- v. \$32,750.00 additional funds from Department of Health, Education, and Welfare, National Institute of Education, Washington, D. C., for Educational Research Information Center (ERIC) for Science, Mathematics, and Environmental Education, under the direction of the Academic Faculty of Science and Mathematics Education. (Project 2228 - Mod. #16)
- w. \$32,553.00 from Department of Transportation, National Highway Traffic Safety Administration, Washington, D. C., for Effects of Noxious Gases on Driver Performance, under the direction of the Department of Preventive Medicine, for the period July 1, 1973 through April 30, 1974. (Project 3734-B1 - New)
- x. \$32,533.00 from Department of the Interior, Fish and Wildlife Service, Bureau of Sport Fisheries and Wildlife, Washington, D. C., for The Physiological Mechanisms of Egg Shell Thinning, under the direction of the Department of Zoology, for the period June 15, 1973 through June 14, 1975. (Project 3709-A1 - New)
- y. \$30,197.00 from Department of Health, Education, and Welfare, Public Health Service, National Institutes of Health, National Cancer Institute, Bethesda, Maryland, for Iodoacetate--Immuno-therapy of Lymphoid Leukemia, under the direction of the Department of Microbiology, for the period September 1, 1973 through August 31, 1974. (Project 3538-A2 - Ext. #1)
- z. \$30,000.00 from Environmental Protection Agency, Research Triangle Park, North Carolina, for An Annotated Directory of Instruction of Materials and Resources in the Field of Air Pollution Control, under the direction of the Academic Faculty of Science and Mathematics Education, for the period June 25, 1973 through June 24, 1974. (Project 3728-A1 - New)
- aa. \$29,254.00 from Department of Health, Education, and Welfare, Public Health Service, National Institutes of Health, National Institute of Neurological Diseases and Stroke, Bethesda, Maryland, for A Comparative Study of the Extrapyrarnidal System, under the direction of the Department of Anatomy, for the period September 1, 1973 through August 31, 1974. (Project No. 2512-F - Ext. #6)
- bb. \$28,900.00 from National Science Foundation, Washington, D. C., for Metal Carbonyls and Metal-Carbon Bonds, under the direction of the Department of Chemistry, for the period September 1, 1972 through September 30, 1974. (Project 3536-A1 - Ext. #1)

III. REPORT OF RESEARCH CONTRACTS, GRANTS, GIFTS, AND AGREEMENTS  
(continued)

B. The Ohio State University Research Foundation (continued)

1. Federal Research Contracts/Grants (continued)

- cc. \$25,099.00 from Department of Health, Education, and Welfare, Social and Rehabilitation Service, Office of Research and Demonstrations, Washington, D. C., for Service Organizations and Clients, under the direction of the Mershon Center for Education in National Security, for the period July 1, 1973 through June 30, 1974. (Project 3441-A2 - Ext. #1)
- dd. \$20,000.00 from Department of the Air Force, Air Force Systems Command, Electronic Systems Division, L. G. Hanscom Field, Massachusetts, for Scattering by Cylinders with Finite Length, Finite Conductivity and Noncircular Cross Section, under the direction of the Department of Electrical Engineering, Electro-Science Laboratory, for the period August 1, 1973 through January 31, 1974. (Project 3754-A1 - New)
- ee. \$15,000.00 additional funds from Department of the Air Force, Headquarters 4950th Test Wing (Tech), Air Force Systems Command, Wright-Patterson Air Force Base, Ohio, for Gas Turbine Transpiration Cooling Research, under the direction of the Department of Mechanical Engineering. (Project 3611-A1 - Mod. #P00002)
- ff. \$15,000.00 from Department of the Interior, Fish and Wildlife Service, Bureau of Sport Fisheries and Wildlife, Washington, D. C., for Status of Endangered Fluvial Mollusks in Central North America, under the direction of the Department of Zoology, for the period June 15, 1973 through March 31, 1974. (Project 3712-A1 - New)
- gg. \$14,244.00 from Department of Health, Education, and Welfare, Public Health Service, Health Services and Mental Health Administration, National Institute of Mental Health, Bethesda, Maryland, for Amphetamine Tolerance: Central and Peripheral Studies, under the direction of the College of Pharmacy, for the period September 1, 1973 through August 31, 1974. (Project 3541-A2 - Ext. #1)
- hh. \$12,594.00 from Department of Health, Education, and Welfare, Public Health Service, National Institutes of Health, National Heart and Lung Institute, Bethesda, Maryland, for Intra-Hepatic Control of Liver Blood Flow, under the direction of the Department of Physiology, for the period September 1, 1973 through August 31, 1974. (Project 2518-F - Ext. #6)

III. REPORT OF RESEARCH CONTRACTS, GRANTS, GIFTS, AND AGREEMENTS  
(continued)

B. The Ohio State University Research Foundation (continued)

1. Federal Research Contracts/Grants (continued)

- ii. \$10,000.00 from U. S. Atomic Energy Commission, Chicago Operations Office, Argonne, Illinois, for Pre-Freshman and Cooperative Education for Minorities in Engineering at The Ohio State University, under the direction of the Department of Mechanical Engineering, for the period March 15, 1973 through August 31, 1974. (Project 3716-A1 - New)
- jj. \$9,996.00 from Department of Health, Education, and Welfare, National Institute of Education, Washington, D. C., for Games in Eskimo Children's Culture: Changes and Functions, under the direction of the Department of Anthropology, for the period June 27, 1973 through November 30, 1974. (Project 3738-A1 - New)
- kk. \$8,500.00 from National Science Foundation, Washington, D. C., for support of Geological Studies, under the direction of the Department of Geology and Mineralogy, for the period January 1, 1971 through June 30, 1974. (Project 3172-A1 - Amend. #2)
- ll. \$7,837.00 from Department of the Interior, Fish and Wildlife Service, Bureau of Sport Fisheries and Wildlife, Washington, D. C., for The Effects of Wetting on Redwing Blackbird Energetics and Survival, under the direction of the Department of Zoology, for the period July 1, 1973 through June 30, 1974. (Project 3723-A1 - New)
- mm. \$5,000.00 from Department of Health, Education, and Welfare, Office of Education, Bureau of Libraries and Learning Resources, Washington, D. C., for Acquisition of Academic Library Resources for Lima Regional Campus, under the direction of the University Libraries, for the period July 1, 1973 through June 30, 1974. (Project 3742-A1 - New)
- nn. \$5,000.00 from Department of Health, Education, and Welfare, Office of Education, Bureau of Libraries and Learning Resources, Washington, D. C., for Acquisition of Academic Library Resources for OSU Main Libraries, under the direction of the University Libraries, for the period July 1, 1973 through June 30, 1974. (Project 3743-A1 - New)
- oo. \$5,000.00 from Department of Health, Education, and Welfare, Office of Education, Bureau of Libraries and Learning Resources, Washington, D. C., for Acquisition of Academic Library Resources for Newark Regional Campus, under the direction of the University Libraries, for the period July 1, 1973 through June 30, 1974. (Project 3744-A1 - New)

III. REPORT OF RESEARCH CONTRACTS, GRANTS, GIFTS, AND AGREEMENTS

(continued)

B. The Ohio State University Research Foundation (continued)

1. Federal Research Contracts/Grants (continued)

pp. \$2,500.00 from National Science Foundation, Washington, D. C., for Studies of Glaciers in the South Shetland Islands, under the direction of the Institute of Polar Studies, for the period May 15, 1971 through March 31, 1974. (Project 3231-A1 - Amend. #3)

qq. \$1,000.00 from Department of Health, Education, and Welfare, Public Health Service, National Institutes of Health, National Eye Institute, Bethesda, Maryland, for Structure of the Red Mechanism in the Color-Normal, under the direction of the Department of Biophysics, for the period June 1, 1972 through November 30, 1973. (Project 3048-A3 - Sup. #1)

TOTAL - Federal Research Contracts/Grants \$1,727,676.00

2. State of Ohio Research Contracts/Grants

a. \$38,441.00 from Department of Mental Health and Mental Retardation, Division of Forensic Psychiatry, Columbus, Ohio, for The Diagnosis and Treatment of Sociopathic Personality in Psychiatric Inpatients: An Alternative to Institutionalization, under the direction of the Department of Psychiatry, for the period July 1, 1973 through June 30, 1974. (Project 3753-A1 - New)

b. \$15,403.00 from Department of Mental Health and Mental Retardation, Division of Forensic Psychiatry, Columbus, Ohio, for Effective Implementation of the Ascherman Act, under the direction of the Division of Public Administration and the School of Social Work, for the period July 1, 1973 through June 30, 1974. (Project 3596-A2 - Ext. #1)

c. \$7,500.00 from Department of Mental Health and Mental Retardation, Division of Forensic Psychiatry, Columbus, Ohio, for Evaluation of the Dayton Montgomery Forensic Psychiatry Center, under the direction of the Division of Public Administration and the School of Social Work, for the period October 1, 1973 through September 30, 1974. (Project 3595-A2 - Ext. #1)

TOTAL - State of Ohio Research Contracts/Grants \$61,344.00

3. Industrial, Subcontracts, and Other Non-Federal Research Contracts/Grants

a. \$540,000.00 from Council for Economic Opportunities in Greater Cleveland, Cleveland, Ohio, for Professional Service for a Technical Assistance and Management System, under the direction of The Ohio State University Nisonger Center for Mental Retardation, for the period July 1, 1973 through January 31, 1974. (Project 3739-A1 - New)

October 5, 1973 meeting, Board of Trustees

III. REPORT OF RESEARCH CONTRACTS, GRANTS, GIFTS, AND AGREEMENTS  
(continued)

B. The Ohio State University Research Foundation (continued)

3. Industrial, Subcontracts, and Other Non-Federal  
Research Contracts/Grants (continued)

- b. \$17,520.00 from Illuminating Engineering Research Institute, New York, New York, for Studies of Visual Performance and Illumination, under the direction of the Department of Biophysics, for the period July 1, 1973 through June 30, 1974. (Project 885 - Ext. #16)
- c. \$16,000.00 from Illuminating Engineering Research Institute, New York, New York, for Studies of Visual Performance and Illumination, under the direction of the Institute for Research in Vision, for the period July 1, 1973 through June 30, 1974. (Project 885-A - Ext. #7)
- d. \$14,812.00 from National Tuberculosis and Respiratory Disease Association, New York, New York, for Cellular Adaption to Chronic Hypoxia, under the direction of the Department of Medicine, for the period July 1, 1973 through June 30, 1974. (Project 3747-A1 - New)
- e. \$14,172.00 from E. R. Squibb & Sons, Inc., Worldwide Headquarters, Princeton, New Jersey, for The Efficacy of Ampicillin in Equine Respiratory Disease, under the direction of the Department of Veterinary Clinical Sciences, for the period August 1, 1973 through December 31, 1973. (Project 3760-A1 - New)
- f. \$13,800.00 from Battelle Memorial Institute, Columbus, Ohio, for Snow, Permafrost and Soils Investigations on Alaska's North Slope, under the direction of the Institute of Polar Studies, for the period April 1, 1973 through December 31, 1973. (Project 3755-A1 - New)
- g. \$8,874.00 from University of Washington, Seattle, Washington, for Investigations of the Geographic Applications of Holography, under the direction of the Department of Electrical Engineering, Electro-Science Laboratory, for the period July 1, 1973 through October 31, 1973. (Project 3759-A1 - New)
- h. \$7,559.00 from American Heart Association, Central Ohio Heart Chapter, Inc., Columbus, Ohio, for Prevention of Capillary No-Flow Phenomenon--Brain Ischemia, under the direction of the Department of Medicine, for the period October 1, 1973 through September 30, 1974. (Project 3778-A1 - New)

III. REPORT OF RESEARCH CONTRACTS, GRANTS, GIFTS, AND AGREEMENTS  
(continued)

B. The Ohio State University Research Foundation (continued)

3. Industrial, Subcontracts, and Other Non-Federal  
Research Contracts/Grants (continued)

- i. \$7,500.00 from American Heart Association, Central Ohio Heart Chapter, Inc., Columbus, Ohio, for Studies of the Physiology of Renin and Prostaglandin, under the direction of the Department of Medicine, for the period October 1, 1973 through September 30, 1974. (Project 3762-A1 - New)
- j. \$7,500.00 from American Heart Association, Central Ohio Heart Chapter, Inc., Columbus, Ohio, for Immunohistochemical Study in Atherosclerosis, under the direction of the Department of Pathology, for the period October 1, 1973 through September 30, 1974. (Project 3773-A1 - New)
- k. \$7,500.00 from American Heart Association, Central Ohio Heart Chapter, Inc., Columbus, Ohio, for Predisposing Factors in the Rupture of Left Ventricular Wall in the Postinfarction Period, under the direction of the Department of Medicine, for the period October 1, 1973 through September 30, 1974. (Project 3775-A1 - New)
- l. \$7,500.00 from American Heart Association, Central Ohio Heart Chapter, Inc., Columbus, Ohio, for Mechanism of Ion Extrusion in Heart Mitochondria, under the direction of the Department of Surgery, for the period October 1, 1973 through September 30, 1974. (Project 3779-A1 - New)
- m. \$7,500.00 from American Heart Association, Central Ohio Heart Chapter, Inc., Columbus, Ohio, for The Effects of Chronic Hypoxia and Cyanosis on Cardiac Performance and Metabolism, under the direction of the Department of Medicine, for the period October 1, 1973 through September 30, 1974. (Project 3780-A1 - New)
- n. \$7,500.00 from American Heart Association, Central Ohio Heart Chapter, Inc., Columbus, Ohio, for The Effect of Cholestyramine in Patients with Digitalis Intoxication, under the direction of the Department of Medicine, for the period October 1, 1973 through September 30, 1974. (Project 3781-A1 - New)
- o. \$7,500.00 from American Heart Association, Central Ohio Heart Chapter, Inc., Columbus, Ohio, for Electrophysiologic Studies of Supraventricular Tachycardia and Sinoatrial Dysfunction in Man, under the direction of the Department of Medicine, for the period October 1, 1973 through September 30, 1974. (Project 3783-A1 - New)
- p. \$7,484.00 from American Heart Association, Central Ohio Heart Chapter, Inc., Columbus, Ohio, for Model Derivation Based on Coronary Pressure Flow, under the direction of the Department of Veterinary Clinical Sciences, for the period October 1, 1973 through September 30, 1974. (Project 3768-A1 - New)

III. REPORT OF RESEARCH CONTRACTS, GRANTS, GIFTS, AND AGREEMENTS  
(continued)

B. The Ohio State University Research Foundation (continued)

3. Industrial, Subcontracts, and Other Non-Federal  
Research Contracts/Grants (continued)

- q. \$7,472.00 from American Heart Association, Central Ohio Heart Chapter, Inc., Columbus, Ohio, for The Biochemical Triggering Mechanisms Initiating Cardiac Hypertrophy, under the direction of the Department of Pathology, for the period October 1, 1973 through September 30, 1974. (Project 3764-A1 - New)
- r. \$7,472.00 from American Heart Association, Central Ohio Heart Chapter, Inc., Columbus, Ohio, for Effects of Catecholamines and Fatty Acids on the Anoxic Heart, under the direction of the Department of Physiological Chemistry, for the period October 1, 1973 through September 30, 1974. (Project 3784-A1 - New)
- s. \$7,450.00 from American Heart Association, Central Ohio Heart Chapter, Inc., Columbus, Ohio, for Cerebral Lactate Clearance and Energy Metabolism Following Vascular Interruption, under the direction of the Department of Surgery, for the period October 1, 1973 through September 30, 1974. (Project 3763-A1 - New)
- t. \$7,262.00 from American Heart Association, Central Ohio Heart Chapter, Inc., Columbus, Ohio, for The Role of Histones in the Initiation of Myocardial Hypertrophy, under the direction of the Department of Veterinary Pathobiology, for the period October 1, 1973 through September 30, 1974. (Project 3769-A1 - New)
- u. \$7,254.00 from American Heart Association, Central Ohio Heart Chapter, Inc., Columbus, Ohio, for A Study of the Conformational Change of Troponin in the Calcium Control Mechanism of Myocardial Contractility, under the direction of the Department of Biophysics, for the period October 1, 1973 through September 30, 1974. (Project 3766-A1 - New)
- v. \$7,176.00 from American Heart Association, Central Ohio Heart Chapter, Inc., Columbus, Ohio, for Effects of Training the Arm and/or Leg Muscles on Cardiorespiratory Responses to Submaximal and Maximal Exercise, under the direction of the School of Health, Physical Education, and Recreation, for the period October 1, 1973 through September 30, 1974. (Project 3793-A1 - New)
- w. \$7,126.00 from Council on Library Resources, Washington, D. C., for A Selective Statistical Study of an Automated Library Circulation System, under the direction of the University Libraries, for the period August 27, 1973 through November 26, 1973. (Project 3795-A1 - New)



October 5, 1973 meeting, Board of Trustees

III. REPORT OF RESEARCH CONTRACTS, GRANTS, GIFTS, AND AGREEMENTS  
(continued)

B. The Ohio State University Research Foundation (continued)

3. Industrial, Subcontracts, and Other Non-Federal  
Research Contracts/Grants (continued)

- x. \$7,080.00 from American Heart Association, Central Ohio Heart Chapter, Inc., Columbus, Ohio, for Antimycin-Receptor Site Interaction in the Heart-Muscle Respiratory System, under the direction of the Department of Physiological Chemistry, for the period October 1, 1973 through September 30, 1974. (Project 3785-A1 - New)
- y. \$7,000.00 from American Heart Association, Central Ohio Heart Chapter, Inc., Columbus, Ohio, for Wall Shear Stresses in Coronary Vessels of Horses, under the direction of the Department of Veterinary Physiology and Pharmacology, for the period October 1, 1973 through September 30, 1974. (Project 3770-A1 - New)
- z. \$6,903.00 from American Heart Association, Central Ohio Heart Chapter, Inc., Columbus, Ohio, for Diastolic Left Ventricular Distensibility Studied in Intact Dogs, under the direction of the Department of Physiology, for the period October 1, 1973 through September 30, 1974. (Project 3794-A1 - New)
- aa. \$6,720.00 from American Heart Association, Central Ohio Heart Chapter, Inc., Columbus, Ohio, for Mechanism(s), of Increased Cardiac Function During Myocardial Ischemia, under the direction of the Department of Pharmacology, for the period October 1, 1973 through September 30, 1974. (Project 3767-A1 - New)
- bb. \$6,680.00 from American Heart Association, Central Ohio Heart Chapter, Inc., Columbus, Ohio, for A New Operation for Transposition of the Great Vessels, under the direction of the Department of Surgery, for the period October 1, 1973 through September 30, 1974. (Project 3774-A1 - New)
- cc. \$6,577.00 from American Heart Association, Central Ohio Heart Chapter, Inc., Columbus, Ohio, for Biochemical Events Underlying Irreversible Injury to Ischemic Myocardium, under the direction of the Department of Physiological Chemistry, for the period October 1, 1973 through September 30, 1974. (Project 3786-A1 - New)

III. REPORT OF RESEARCH CONTRACTS, GRANTS, GIFTS, AND AGREEMENTS

(continued)

B. The Ohio State University Resesearch Foundation (continued)

3. Industrial, Subcontracts, and Other Non-Federal  
Research Contracts/Grants (continued)

- dd. \$6,510.00 from American Heart Association, Central Ohio Heart Chapter, Inc., Columbus, Ohio, for Hypercapnia as a Determinant of Coronary Vascular Resistance Alterations, under the direction of the Department of Physiology, for the period October 1, 1973 through September 30, 1974. (Project 3761-A1 - New)
- ee. \$6,351.00 from American Heart Association, Central Ohio Heart Chapter, Inc., Columbus, Ohio, for Differentiation of Spontaneous Subarachnoid Hemorrhage from Traumatic Tap, under the direction of the Department of Medicine, for the period October 1, 1973 through September 30, 1974. (Project 3777-A1 - New)
- ff. \$6,300.00 from American Heart Association, Central Ohio Heart Chapter, Inc., Columbus, Ohio, for The Enterohepatic Circulation and Intestinal Secretion of <sup>3</sup>H-Digoxin in Man, under the direction of the Department of Medicine, for the period October 1, 1973 through September 30, 1974. (Project 3776-A1 - New)
- gg. \$6,281.00 from American Heart Association, Central Ohio Heart Chapter, Inc., Columbus, Ohio, for Response of the Renal Vasculature to Vasal Constrictor and Vasal Dilator Agents, under the direction of the Department of Veterinary Physiology and Pharmacology, for the period October 1, 1973 through September 30, 1974. (Project 3771-A1 - New)
- hh. \$6,202.00 from American Heart Association, Central Ohio Heart Chapter, Inc., Columbus, Ohio, for The Effects of Chronic Heavy Physical Training on Selected Physical and Physiological Variables in Age Group Swimmers from 10-17 Years of Age, under the direction of the School of Health, Physical Education, and Recreation, for the period October 1, 1973 through September 30, 1974. (Project 3792-A1 - New)
- ii. \$4,921.05 additional funds from The Procter & Gamble Company, Cincinnati, Ohio, for Study of Dental Calculus, under the direction of the College of Dentistry. (Project 2070 - Ltr. Dtd. 7/24/73)
- jj. \$4,819.00 from American Heart Association, Central Ohio Heart Chapter, Inc., Columbus, Ohio, for Relationship Between the Anti-Arrhythmic Effect of Diphenylhydantoin and Its Binding to the Cardiac Subcellular Fractions, under the direction of the Department of Pharmacology, for the period October 1, 1973 through September 30, 1974. (Project 3765-A1 - New)

III. REPORT OF RESEARCH CONTRACTS, GRANTS, GIFTS, AND AGREEMENTS  
(continued)

B. The Ohio State University Research Foundation (continued)

3. Industrial, Subcontracts, and Other Non-Federal  
Research Contracts/Grants (continued)

- kk. \$4,627.00 from American Heart Association, Central Ohio Heart Chapter, Inc., Columbus, Ohio, for Effects of Upright Posture on the Hemodynamics of Mitral Stenosis, under the direction of the Department of Medicine, for the period October 1, 1973 through September 30, 1974. (Project 3782-A1 - New)
- ll. \$4,000.00 from The Metal Properties Council, United Engineering Center, New York, New York, for A Survey of Mechanical and Corrosion Properties of Selected Alloys, under the direction of the Department of Metallurgical Engineering, for the period July 1, 1970 through March 31, 1974. (Project 3069-A1 - Ltr. Dtd. 8/2/73)
- mm. \$3,500.00 from State of Ohio, Department of Rehabilitation and Corrections, Columbus, Ohio, for Evaluative Audit of Therapeutic Community, under the direction of the Division of Public Administration and the School of Social Work, for the period May 1, 1973 through June 30, 1973. (Project 3708-A1 - New)
- nn. \$3,120.50 additional funds from The Procter & Gamble Company, Cincinnati, Ohio, for Study of Dental Caries, under the direction of the College of Dentistry. (Project 2065-C - Ltr. Dtd. 7/24/73)
- oo. \$2,500.00 from State of Ohio, Department of Rehabilitation and Corrections, Columbus, Ohio, for Management Communications Training Seminar, under the direction of the Division of Public Administration, for the period July 1, 1973 through August 31, 1973. (Project 3741-A1 - New)
- pp. \$2,000.00 from The Metal Properties Council, United Engineering Center, New York, New York, for A Survey of Mechanical and Corrosion Properties of Selected Alloys, under the direction of the Department of Metallurgical Engineering, for the period July 1, 1970 through June 30, 1973. (Project 3069-B1 - New)
- qq. \$2,000.00 from AVCO Precision Products, Richmond, Indiana, for Wind Tunnel Tests of Models, under the direction of the Department of Aeronautical and Astronautical Engineering, for the period August 7, 1973 through September 6, 1973. (Project 3758-A1 - New)

TOTAL - Industrial, Subcontracts, and Other Non-Federal  
Research Contracts/Grants \$848,024.55

III. REPORT OF RESEARCH CONTRACTS, GRANTS, GIFTS, AND AGREEMENTS  
(continued)

C. The Engineering Experiment Station

1. State of Ohio Research Contracts

- a. \$21,000.00 from Ohio Department of Transportation, Columbus, Ohio, for Field Study of Subgrade Composition, under the direction of the Department of Civil Engineering, for the period November 1, 1973 through October 31, 1974. (EES 406 - Ext. No. 2)
- b. \$19,980.00 from Ohio Department of Transportation, Columbus, Ohio, for Development of Unified Bus Modal-Split Models for Ohio Cities Based on Census and Attitude Data, under the direction of the Department of Civil Engineering, for the period July 31, 1973 through July 31, 1974. (EES 459)

TOTAL - State of Ohio Research Contracts \$40,980.00

2. Industrial and Other Research Contract

- a. \$415,000.00 from Electric Power Research Institute, New York, New York, for Fuel Utilization in Residential Heating, under the direction of the Department of Mechanical Engineering, for the period July 30, 1973 through July 29, 1975. (EES 460)

D. The Ohio State University Development Fund

1. Gifts of \$5,000 or More

- a. \$28,307.71 from The Associates of Medicine, Columbus, Ohio, to continue their support of the Department of Medicine General Fund.
- b. \$25,000.00 from an anonymous donor, to assist in the purchase of the Rinhart Collection of Daguerreian Art.
- c. \$15,000.00 from Mr. and Mrs. Frederick L. Van Lennep, Lexington, Kentucky, for the Dean's Fund for Education and Research in the College of Veterinary Medicine.
- d. \$11,500.00 from Pfizer, Inc., New York, New York, for renal disease research.
- e. \$11,200.00 from The Procter & Gamble Company, Cincinnati, Ohio--\$6,000.00 to support the teaching and research activities that form a part of the department's graduate program in the field of Veterinary Pathobiology and \$5,200.00 for their fellowship fund in Mechanical Engineering.

III. REPORT OF RESEARCH CONTRACTS, GRANTS, GIFTS, AND AGREEMENTS  
(continued)

D. The Ohio State University Development Fund (continued)

1. Gifts of \$5,000.00 or More (continued)

- f. \$7,000.00 from George F. Lonz Foundation, Middle Bass, Ohio, to support the Department of Horticulture programs in Enology and Viticulture.
- g. \$6,551.00 from Schering Corporation, Bloomfield, New Jersey, for research in Veterinary Surgery.
- h. \$6,000.00 from The Upjohn Company, Kalamazoo, Michigan, for infectious disease research in the College of Medicine.
- i. \$5,500.00 from The Lubrizol Foundation, Cleveland, Ohio-- \$2,000.00 to support their fellowship fund in Chemical Engineering, \$2,000.00 for their fellowship in Chemistry, \$1,000.00 for their scholarship in Mechanical Engineering, and \$500.00 for their scholarship in Mathematics.
- j. \$5,210.00 from General Motors Corporation, Detroit, Michigan, for the O. S. U. Fellowship Fund.
- k. \$5,000.00 from NOBA, Inc., Tiffin, Ohio, for its research fund in the Department of Dairy Science.
- l. \$5,000.00 from Phi Beta Psi Sorority, Grand Chapter, Muncie, Indiana, for cancer research.
- m. \$5,000.00 from Fritz Straumann, Waldenburg, Switzerland, for support of research in Veterinary Surgery.

2. Establishment of Named Funds

- a. \$20,000.00 from The F. and R. Lazarus Company for the establishment of the Robert Lazarus Student Loan Fund.

Robert Lazarus Student Loan Fund

The F. and R. Lazarus Company has made an initial gift of \$20,000 through The Ohio State University Development Fund to establish a student loan fund in memory of the late Robert Lazarus, Sr. It is expected that additional contributions over the next five years will support a \$100,000 fund.

After his graduation from Ohio State in 1912, Robert Lazarus was dedicated to the enlargement of educational opportunities. He had particular interest and affection for his alma mater and took pride in its accomplishments.

III. REPORT OF RESEARCH CONTRACTS, GRANTS, GIFTS, AND AGREEMENTS  
(continued)

D. The Ohio State University Development Fund (continued)

2. Establishment of Named Funds (continued)

a. Robert Lazarus Student Loan Fund (continued)

Robert Lazarus had a life-long conviction that the self-disciplined individual can, by his own effort, make an effective contribution to the betterment of human life. He believed in the University as an institution which exists to enable the student to maximize his potential to make a particular contribution to the world in which he lives.

These scholarship loans are to be assigned to students devoted to the practical betterment of human life through the knowledge of demographic trends and the development of techniques, methods and philosophies that adapt the expanding technical, social, political, educational, environmental and other advances to the needs of individual men and women.

It is recommended that the income and principal of the Robert Lazarus Student Loan Fund be employed at the discretion of the University as a revolving fund and that the loans be repaid to the Fund.

- b. \$10,000.00 from the Estate of Siragan H. Ezekelian for the establishment of the Siragan H. Ezekelian Bacteriology Fund.

Siragan H. Ezekelian Bacteriology Fund

The Siragan H. Ezekelian Bacteriology Fund was established October 5, 1973, by the Board of Trustees of The Ohio State University with a bequest through The Ohio State University Development Fund from Siragan Hovhanes Ezekelian (B.Sc. Agr. '14, M.S. '16), late of Oak Park, Illinois.

All gifts are to be invested in the University's Permanent Endowment Fund, under the rules and regulations adopted by the Board of Trustees of The Ohio State University, with the right to invest and reinvest as occasion dictates.

The income is to be used to establish the Siragan H. Ezekelian Bacteriology Fund for the discretionary use of the Department of Microbiology, College of Biological Sciences.

Should the need for this Fund cease to exist or so diminish as to provide unused income, then the income may be used for any purpose whatsoever as determined by the Board of Trustees, with preference being given to recommendations from the appropriate administrative official of the University who is then directly responsible for bacteriology education.

\*

\*

\*

October 5, 1973 meeting, Board of Trustees

IV. BUSINESS AND ADMINISTRATION

A. Architects or Engineers

1. Hayes Hall, Fire Safety Improvements and Vivian Hall Remodeling, Selection of Architect/Engineer

President Enarson recommended that the architectural firm of John W. Spencer and Associates, Inc., Columbus, Ohio, be employed to provide complete architectural and engineering services for these projects, including preliminary plans, basic drawings, working drawings, specifications, estimate of cost, other bidding documents, and supervision of construction.

The fee for this service will be negotiated between the architectural firm and the Ohio Department of Public Works. The total estimated project cost for the Hayes Hall, Fire Safety Improvements project is \$60,000; total estimated project cost for Vivian Hall Remodeling is \$70,000.

Funds for this Architect/Engineer service have been provided from the Utilities and Renovation Appropriation (H. B. 985).

2. Hagerty Hall Air Conditioning, Selection of Architect/Engineer

President Enarson recommended that the engineering firm of W. E. Monks, Columbus, Ohio, be employed to provide complete engineering services for this project, including preliminary plans, basic drawings, working drawings, specifications, estimate of cost, other bidding documents, and supervision of construction.

The fee for this service will be negotiated between the engineering firm and the Ohio Department of Public Works. The total estimated project cost for the Hagerty Hall Air Conditioning project is \$475,000.

Funds for this Architect/Engineer service have been provided from the Utilities and Renovation Appropriation (H. B. 985).

Upon motion of Mr. Harrod, seconded by Mr. Safford, the above recommendations were approved by unanimous roll call vote.

B. Report of Award of Contracts

In accordance with authorization provided by the Board of Trustees, bids were taken on the project listed below and the contracts were recommended for award. The action reported to the Board was as follows:

October 5, 1973 meeting, Board of Trustees

IV. BUSINESS AND ADMINISTRATION (continued)

B. Report of Award of Contracts (continued)

1. Improvements for the Handicapped, Phase III  
(Building Improvements - Elevator)

	<u>Low Bid</u>	<u>Est. of Cost</u>
<u>General Contract</u>		
(2 bids received - 9-21-73, Rebid)		
A. L. Meyer Construction Company (Columbus)	\$42,343.00	\$ 48,500.00
<u>Elevator Contract</u>		
(2 bids received - 9-12-73)		
Plunger-Lift Elevator (Columbus)	28,095.00	33,930.00
<u>Plumbing Contract</u>		
(1 bid received - 9-12-73)		
Limbach Company (Columbus)	2,700.00	3,705.00
<u>Heating, Ventilating, and</u>		
<u>Air Conditioning Contract</u>		
(2 bids received - 9-12-73)		
J. A. Guy, Inc. (Dublin, Ohio)	3,970.00	18,320.00
<u>Electrical Contract</u>		
(4 bids received - 9-12-73)		
Electric Power & Equipment (Columbus)	<u>5,274.00</u>	<u>16,960.00</u>
<u>Total All Contracts</u>	<u>\$82,382.00</u>	<u>\$121,415.00</u>

Funds for this project have been provided from Budget Account 801272  
(Improvements - Handicapped).

Upon motion of Mr. Safford, seconded by Mr. Harrod, the above award of contracts and expenditure of funds were approved and the action of the Vice President for Business and Administration was ratified by unanimous roll call vote.

\*

\*

\*



V. REPORTS

A. Report from the Insurance Committee

1. Extension of Medical Coverage for Retirees and Dependents

The Insurance Committee of the Board of Trustees has consulted with members of the University administration in an effort to improve the post-retirement medical benefits with no additional out-of-pocket cost to the University. As a result of these deliberations and with the agreement of the insurance carrier, Mr. Devenow, Chairman of the Insurance Committee, recommended that the following modifications be adopted by the Board of Trustees of The Ohio State University.

Effective October 1, 1973, the major medical and surgical coverage under the John Hancock contract applicable to retirees and dependents be amended as follows:

1. The full John Hancock Medical Care Insurance (the basic surgical-medical coverage and the \$50,000 major medical insurance) be extended to include eligible retired employees and eligible dependents beyond age seventy until deceased.
2. The self-insured \$2,500 major medical plan be terminated.
3. The full John Hancock Major Medical and Surgical Insurance coverage be extended to all present and future eligible University retired employees and dependents who retire with a minimum of ten years of OSU service and who are eligible to receive retirement or disability benefits under any retirement program administered by the State of Ohio, by paying the monthly premium cost to the University.
4. No restrictions for preexisting conditions are to apply, except that the improved coverage shall not apply to any medical care treatment or physician's services being rendered with respect to a current injury or sickness for which treatment is now being received. A carefree period of ninety days shall apply as respecting a current treatment to establish eligibility.

Upon motion of Mr. Devenow, seconded by Mrs. James, the Board of Trustees approved the foregoing recommendation by unanimous roll call vote.

B. Report on the University's Investment Portfolio

The report dated September 28, 1973, as submitted to the Finance Committee of the Board of Trustees by Mr. Ernest W. Leggett pertaining to the University's Investment Portfolio, was received and ordered to be filed with the official records of the Board of Trustees.

October 5, 1973 meeting, Board of Trustees

V. REPORTS (continued)

C. Enrollment for the Autumn Quarter 1973

President Enarson made the following comments:

The leveling off of enrollments signals the end of the era of rapid growth and gives us the opportunity to concentrate our energies on upgrading quality.

We initially estimated that we would share in the common affliction, being down perhaps 1,500 or so students this fall. Instead, Ohio State University enrollment is up slightly to a new all time high of 46,700 on the Columbus campus.

Undergraduate enrollment is substantially down in the College of Education; it is substantially up in Agriculture and Natural Resources, in the Health Sciences and in other areas where market demand and social need are high. Call it 'dollar therapy,' call it students' 'voting preferences'--the point is that today's students are acutely conscious of the job market and are planning accordingly.

On yet another score I find the evidence impressive and encouraging--Ohio State University has powerful attraction, not only for those seeking graduate and professional preparation but for the starting freshmen as well. And well over 1,000 adult part-time students are enrolled for the first time in evening programs.

More flexibility, more options for the part-time student who works--these are the directions Ohio State must set for itself.

Mr. Richard Zimmerman, Executive Assistant to the President and Director of Budget and Resources Planning, made the following report:

The Columbus headcount enrollment for all credit programs (day and evening), Autumn 1973, is about 46,700 (approximately 1.6 per cent above the corresponding enrollment of 45,963 for Autumn 1972). The enrollment of 46,700 is 4 to 5 per cent above the level projected for Autumn 1973. Both the total baccalaureate enrollment and the total post-baccalaureate enrollment have increased by about 1.6 per cent over the corresponding enrollments for last Autumn.

Baccalaureate enrollment is higher than projected because of larger-than-expected numbers of new freshman and transfer students and because of the new evening program.

October 5, 1973 meeting, Board of Trustees

V. REPORTS (continued)

C. Enrollment for the Autumn Quarter 1973 (continued)

Mr. Zimmerman's report (continued)

Approximately 750 additional undergraduate students are enrolled in the new evening program. The number of new freshmen (first-time college students) is about 6,900; this number exceeds last year's number (6,463) by about 7 per cent and exceeds the projected number (6,250) by 10 per cent. The number of undergraduate transfer students is 400 to 500 (or approximately 25 per cent) above the expected number.

The number of credit hours of instruction and the FTE of enrollment by subsidy category will not be known until early in November 1973. It is expected that the number of part-time students will be greater than last Autumn.

For all non-Columbus campuses, the total enrollment is up from 4,077 last year to about 4,125 for Autumn 1973. Enrollment at the Agricultural Technical Institute (Wooster) is up from 198 to about 290. Enrollment at the OSU Graduate Center, Wright-Patterson Air Force Base, increased from 273 to about 330. The regional campuses (which enroll students in both baccalaureate and associate degree studies) are experiencing a continuing, steady growth in technical education. The total enrollment on these four campuses increased from 5,658 last Autumn to 5,900 for Autumn 1973 (+4%), even though the baccalaureate enrollment decreased slightly. The baccalaureate enrollment decreased about 4 per cent at Lima, increased about 4 per cent at Mansfield, decreased about 8 per cent at Marion and decreased about 6 per cent at Newark.

\*

\*

\*

Thereupon the Board adjourned to meet Friday, November 2, 1973, at The Ohio State University Fawcett Center for Tomorrow, Columbus, Ohio, at 1:30 p. m.

Attest:

---

Edward Q. Moulton  
Secretary

---

Don M. Hilliker  
Chairman

Page 228 Blank

THE OHIO STATE UNIVERSITY  
OFFICIAL PROCEEDINGS OF THE  
ONE THOUSAND AND NINETY-FIRST MEETING  
OF THE BOARD OF TRUSTEES

Columbus, Ohio, November 2, 1973

The Board of Trustees met at its regular monthly meeting on Friday, November 2, 1973, at The Ohio State University Fawcett Center for Tomorrow, Columbus, Ohio, pursuant to adjournment.

Present: Don M. Hilliker, Chairman, James W. Shocknessy, William C. Safford, John H. Dunlap, M. Merle Harrod, Howard D. Sirak, and Patricia D. James.

\*

\*

\*

Minutes of the September 7, 1973 and October 5, 1973 meetings were approved.

\*

\*

\*

November 2, 1973 meeting, Board of Trustees

REPORT BY CHAIRMAN

Mr. Hilliker announced that January 24, 1974, had been selected as a suitable date for "Trustee Day."

Mr. Hilliker took official note of Mr. Harrod's recent election to the Presidency of the Ohio Association of Manufacturers and extended his personal congratulations.

- o -

RESOLUTIONS IN MEMORIAM

President Enarson reported to the Board the deaths of George R. Eastwood, Professor Emeritus in the Cooperative Extension Service, and Hortense Rickard, Assistant Professor Emeritus in the Department of Mathematics. In accordance with the instructions of the Board of Trustees, copies of the following resolutions expressing on behalf of the University the sorrow and sympathy of the Board will be furnished the families of the deceased.

A. George R. Eastwood

The Board of Trustees of The Ohio State University expresses its sorrow at the death of George R. Eastwood, Professor Emeritus in the Cooperative Extension Service, on October 8, 1973.

Mr. Eastwood was born October 3, 1884, in Madisonville, Kentucky. He spent the early years of his life on a farm while attending school in Kentucky. In 1906 he acquired a state teachers' certificate upon completion of two years at Kentucky State Normal. In 1910 he secured a B.Sc. in Agriculture degree from Kentucky State University. A M.Sc. degree, with emphasis in agricultural economics, was secured at The Ohio State University in 1931.

In 1910 Mr. Eastwood was employed by the Kentucky Agricultural Experiment Station and from 1910 to 1915 at the Ohio Agricultural Experiment Station. On September 1, 1915, he became county agricultural agent in Miami County and held that position until July 1, 1918, when he was named district supervisor. This was the position from which he retired on October 31, 1954, culminating over forty years of public employment and service to the people of Ohio.

Throughout his career as a faculty member with the Ohio Cooperative Extension Service, Mr. Eastwood earned and enjoyed the admiration and respect of a large group of county and state Extension faculty as well as local leadership in the areas of the state which he served. He was noted for his honest and forthright expression and the slow deliberate manner in which he dealt with problems of personnel and programs. His ability in planning and coordinating educational programs was widely recognized.

On behalf of the University community, the Board of Trustees expresses to the family of Mr. Eastwood its deepest sympathy. It was directed that this resolution be inscribed in the minutes of the Board of Trustees and that a copy be tendered to his son and daughter as a sincere expression of sympathy and respect.

RESOLUTIONS IN MEMORIAM (continued)

B. Hortense Rickard

The Board of Trustees of The Ohio State University expresses its sorrow at the death on October 10, 1973, of Hortense Rickard, Assistant Professor Emeritus in the Department of Mathematics.

Professor Rickard was born in Columbus, Ohio, in 1885. She obtained her B.A. degree in 1907 and M.A. degree in 1910, both from Ohio State. She was appointed to the faculty of the Mathematics Department in 1910, becoming an Instructor in 1917 and an Assistant Professor in 1924. She served continuously until her retirement in 1955.

Her teaching interest was centered on the less experienced lower division students. Her excellent work with this group was appreciated by the many students she encountered over her long tenure with the University. She was a long time member of the Mathematical Association of America.

On behalf of the University, the Board of Trustees expresses to the family and her friends its deep sympathy and sense of understanding in their loss. It was directed that this resolution be inscribed upon the minutes of the Board of Trustees and that a copy be tendered to the family as a humble expression of the Board's heartfelt sympathy in its bereavement.

\*

\*

\*

President Enarson presented the following recommendations:

I. GENERAL RECOMMENDATIONS

A. Naming of Building

Upon the recommendation of the Vice President for Educational Services, President Enarson recommended that the ROTC Building located at 2121 Tuttle Park Place, housing the Department of Military Science, be officially named "George L. Converse Hall" to honor the memory of Colonel George Leroy Converse, Jr., Professor of Military Science with the longest tenure of any Commandant in the history of Ohio State University. Colonel Converse was primarily responsible for the creation of the Reserve Officer Training Corps (ROTC).

This recommendation is in accordance with the Bylaws of the Board of Trustees.

Upon motion of Mr. Dunlap, seconded by Mr. Harrod, the Board of Trustees approved the foregoing recommendation by unanimous voice vote.

November 2, 1973 meeting, Board of Trustees

I. GENERAL RECOMMENDATIONS (continued)

B. Amendment to Sick Leave Policy

In the Board action of September 7, 1973, pertaining to the University's sick leave policy, the definition of "employee" should be understood to be limited to: Principal administrative officers, senior administrative and professional staff, unclassified professional, and classified civil service employees.

President Enarson recommended that the foregoing amendment be adopted by the Board of Trustees.

Upon motion of Mr. Safford, seconded by Mr. Harrod, the Board of Trustees approved the foregoing recommendation by unanimous roll call vote.

C. Change in Organization for Office of Student Services

At the request of Richard Armitage, Vice President for Student Services, President Enarson recommended that the Office of Dean of Students be replaced by the Office of Student Programs and Development, and that the Rules for the University Faculty be modified to effectuate this organizational realignment.

Upon motion of Mr. Harrod, seconded by Mrs. James, the Board of Trustees approved the foregoing recommendation by unanimous voice vote.

\*

\*

\*

II. PERSONNEL ACTIONS

Personnel actions since the October 5, 1973 meeting of the Board, as recorded in the official "Salary Roll" of the University, include the following Appointments, Leaves of Absence Without Salary, and Emeritus Title:

A. Appointments

Charles H. Williams from Assistant Dean of Students to Assistant Vice President for Student Programs and Development, in the Office of Student Programs and Development, effective November 1, 1973, at a salary of \$19,368.00 per annum.

Rodney Swearingen from Acting Dean of Students to Assistant to the Vice President for Student Services, effective November 1, 1973, at a salary of \$19,368.00 per annum.



November 2, 1973 meeting, Board of Trustees

II. PERSONNEL ACTIONS (continued)

A. Appointments (continued)

David H. Elliot from Associate Professor in the Department of Geology and Mineralogy to Director of the Institute of Polar Studies and Associate Professor in the Department of Geology and Mineralogy, effective November 1, 1973, at a salary of \$20,088.00 per annum.

Robert W. Gardier from Professor in the Departments of Pharmacology and Anesthesiology to Professor and Acting Chairman of the Department of Pharmacology and Professor in the Department of Anesthesiology, effective November 1, 1973, at a salary of \$24,768.00 per annum.

Yehiel Hayon from Associate Professor in the Department of Romance Languages to Associate Professor of Hebrew in the College of Humanities, effective November 1, 1973, at a salary of \$16,008.00 per annum.

B. Leaves of Absence Without Salary

Ruth E. King, Instructor, School of Nursing, effective October 1, 1973 through December 31, 1973, for personal reasons.

Jean McClester, Instructor, Cooperative Extension Service, effective February 1, 1974 through June 15, 1974, to participate in a program of professional improvement at Michigan State University.

Edward L. Rice, Instructor, Mansfield Campus, effective October 1, 1973 through March 31, 1974, to continue work on his Ph. D. dissertation.

C. Emeritus Title

Charles J. Beetham, School of Health, Physical Education, and Recreation, with the title Instructor Emeritus, effective July 1, 1973.

President Enarson recommended that the Appointments, Leaves of Absence Without Salary, Emeritus Title, and the personnel budget actions as recorded in the "Salary Roll" of the University be approved.

Upon motion of Mr. Safford, seconded by Mr. Harrod, the Board of Trustees approved the foregoing recommendation by unanimous roll call vote, and the Secretary was instructed to file these changes in the "Salary Roll," an official document of the University.

\*

\*

\*

November 2, 1973 meeting, Board of Trustees

III. REPORT OF RESEARCH CONTRACTS, GRANTS, GIFTS, AND AGREEMENTS

FIRST QUARTER 1973-74

OFFICE OF FISCAL AFFAIRS AND THE TREASURER OF THE UNIVERSITY

	Number of Projects	Level of Support	% Change from 1972-73
<u>Federal</u>			
Student	13	\$1,117,010.00	(56)
Training Grants	<u>19</u>	<u>1,029,064.00</u>	<u>(81)</u>
Total - Federal	32	\$2,146,074.00	(73)
<u>State of Ohio</u>	12	1,304,776.17	1464
<u>Industrial and Other</u>	<u>4</u>	<u>424,314.00</u>	<u>1778</u>
Totals	48	\$3,875,164.17	(51)

THE OHIO STATE UNIVERSITY RESEARCH FOUNDATION

	Number of Projects	Level of Support	% Change from 1972-73
<u>Federal</u>			
U. S. Atomic Energy Com- mission	2	\$ 45,143.00	1136
National Aeronautics and Space Administration	7	141,184.00	(51)
National Science Foundation	15	609,200.00	6
Department of Defense	22	1,003,617.00	25
Health, Education, and Welfare	40	2,637,949.00	(21)
Other Federal	<u>20</u>	<u>922,100.00</u>	<u>(58)</u>
Total - Federal	106	\$5,359,193.00	(25)
<u>State of Ohio</u>	7	226,673.00	(6)
<u>Industrial, Subcontracts/Grants, and Other Non-Federal</u>	<u>68</u>	<u>1,575,357.55</u>	<u>48</u>
Totals	181	\$7,161,223.55	(16)

November 2, 1973 meeting, Board of Trustees

III. REPORT OF RESEARCH CONTRACTS, GRANTS, GIFTS, AND AGREEMENTS  
(continued)

THE ENGINEERING EXPERIMENT STATION

	Number of Projects	Level of Support	% Change from 1972-73
<u>Federal</u>	8	\$ 81,547.00	(37)
<u>State of Ohio</u>	8	281,074.00	30
<u>Industrial and Other</u>	<u>81</u>	<u>839,577.00</u>	<u>627</u>
Totals	97	\$1,202,198.00	160

THE OHIO STATE UNIVERSITY DEVELOPMENT FUND

	Number of Donors	Level of Support	% Change from 1972-73
<u>General Solicitation</u>	<u>7,968</u>	<u>\$ 168,133.17</u>	<u>(15)</u>
<u>Major Resources Group</u>			
Major Individual Gifts	145	\$ 630,412.79	30
Corporate Gifts	127	313,644.86	(9)
Foundation and Non- Profit Organization Gifts	<u>125</u>	<u>295,961.62</u>	<u>(35)</u>
	<u>397</u>	<u>\$1,240,019.27</u>	<u>(4)</u>
Totals	8,365	\$1,408,152.44	(5)

November 2, 1973 meeting, Board of Trustees

III. REPORT OF RESEARCH CONTRACTS, GRANTS, GIFTS, AND AGREEMENTS  
(continued)

President Enarson recommended that the following contracts and grants negotiated and monies received for the month of September be accepted.

Summary for September 1973

	No. of Projects	Support Level
Office of Fiscal Affairs and the Treasurer of the University	12	\$ 508,082.00
The Ohio State University Research Foundation	38	1,114,140.00
The Engineering Experiment Station	2	89,910.00
	(Donors)	
The Ohio State University Development Fund	2,498	658,033.91

A detailed listing of the items in each section is shown on the following pages.

Upon motion of Mr. Safford, seconded by Mr. Harrod, the research agreements between The Ohio State University and The Ohio State University Research Foundation for the contracts and grants reported herein, and the acceptance of the report from the Office of Fiscal Affairs and the Treasurer of the University and The Ohio State University Development Fund, including the establishment of a named fund, were approved by unanimous voice vote.

III. REPORT OF RESEARCH CONTRACTS, GRANTS, GIFTS, AND AGREEMENTS  
(continued)

A. Office of Fiscal Affairs and the Treasurer of the University

1. Federal Contracts/Grants

- a. \$267,000.00 granted by 2750th Air Base Wing - PMA, Special Procurement Branch, Building 2, Area C, Wright-Patterson Air Force Base, Ohio, for support of the graduate education program at Wright-Patterson Air Force Base, under the direction of the Graduate School, effective September 25, 1973. (Contract No. F33600-74-C-0341)
- b. \$93,250.00 granted by Department of Health, Education, and Welfare, Office of Education, Washington, D. C., for proposal and plan of operation for a Language and Area Center for Slavic and East European Studies, under the direction of the Department of Slavic Languages and Literatures, for the period September 27, 1973 through June 30, 1974. (Grant No. OEG-0-74-0410)
- c. \$47,310.00 granted by Department of Health, Education, and Welfare, Office of Education, Washington, D. C., for the NDEA Title VI Graduate Fellowship Program, under the direction of the Graduate School, for the period September 21, 1973 through June 30, 1974. (Grant No. OEG-0-74-0432)
- d. \$25,042.00 granted by Department of Health, Education, and Welfare, Office of Education, Washington, D. C., for Training of Professional Personnel in the Education of the Handicapped, under the direction of the School of Health, Physical Education, and Recreation, Academic Faculty of Exceptional Children, and Department of Psychology. (Grant No. OEG-0-72-4136, Revision No. 3)
- e. \$25,006.00 granted by Department of Health, Education, and Welfare, Public Health Service, National Institutes of Health, National Institute of Mental Health, Bethesda, Maryland, for Neocortical and Subcortical Interactions, under the direction of the Department of Psychology, for the period September 1, 1973 through August 31, 1974. (Grant No. 5 K02 MH12747-07)
- f. \$16,711.00 granted by Department of Health, Education, and Welfare, Public Health Service, National Institutes of Health, National Institute of Mental Health, Bethesda, Maryland, for Social Work - Corrections, under the direction of the School of Social Work, for the period July 1, 1973 through June 30, 1974. (Grant No. 5 T01 MH08254-11)

III. REPORT OF RESEARCH CONTRACTS, GRANTS, GIFTS, AND AGREEMENTS

(continued)

A. Office of Fiscal Affairs and the Treasurer of the University (continued)

1. Federal Contracts/Grants (continued)

- g. \$10,500.00 granted by Small Business Administration, Washington, D. C., to provide management counseling and technical assistance to small business concerns, under the direction of the College of Administrative Science, effective for the 1973 School Year. (Contract No. SBA-1626-PMA-74)
- h. \$7,700.00 granted by Department of the Interior, Bureau of Sport Fisheries and Wildlife, Washington, D. C., for the conduct of research studies on evaluation of strip-mine reclamation for Terrestrial Wildlife Restoration, under the direction of the Department of Zoology, for the period September 17, 1973 through November 15, 1974. (Contract No. 14-16-0008-1119)
- i. \$6,369.00 granted by Department of Health, Education, and Welfare, Office of Education, Washington, D. C., for the Training of Professional Personnel in the Education of the Handicapped, under the direction of the School of Home Economics. (Grant No. OEG-0-73-6165, Revision No. 1)
- j. \$2,444.00 granted by Department of Health, Education, and Welfare, Public Health Service, National Institutes of Health, Bureau of Health Manpower Education, Bethesda, Maryland, for Health Professions Student Loan, under the direction of the School of Nursing, for the period July 1, 1973 through June 30, 1974. (I. D. No. G 7 45 0430 15 1)

TOTAL - Federal Contracts/Grants \$501,332.00

2. State of Ohio Contracts/Grants

- a. \$6,000.00 granted by State of Ohio, Department of Health, Columbus, Ohio, for Proposal for Home Services, Dodd Hall Outpatient Department, under the direction of the Department of Physical Medicine, for the period July 1, 1973 through June 30, 1974.
- b. \$750.00 granted by State of Ohio, Department of Economic and Community Development, Columbus, Ohio, to engage in the service of providing general education and of recruiting students for work-study programs, under the direction of the Department of Black Studies, for the period June 25, 1973 through September 15, 1973.

TOTAL - State of Ohio Contracts/Grants \$6,750.00

III. REPORT OF RESEARCH CONTRACTS, GRANTS, GIFTS, AND AGREEMENTS  
(continued)

B. The Ohio State University Research Foundation

1. Federal Research Contracts/Grants

- a. \$159,774.00 from U. S. Department of Labor, Manpower Administration, Washington, D. C., for National Longitudinal Studies of Labor Force Behavior, under the direction of the College of Administrative Science, Division of Research, Center for Human Resource Research, for the period July 1, 1972 through June 30, 1974. (Project 3489-A1 - Mod. #4)
- b. \$65,000.00 from National Science Foundation, Washington, D. C., for Electrotransport and Diffusion in Metals, under the direction of the Department of Metallurgical Engineering, for the period September 15, 1973 through September 14, 1975. (Project 3805-A1 - New)
- c. \$63,993.00 from National Aeronautics and Space Administration, Goddard Space Flight Center, Greenbelt, Maryland, for Millimeter-Wavelengths Propagation Studies, under the direction of the Department of Electrical Engineering, for the period September 17, 1973 through June 16, 1974. (Project 2374 - Sup. #10)
- d. \$54,200.00 from Department of Health, Education, and Welfare, Public Health Service, National Institutes of Health, National Heart and Lung Institute, Bethesda, Maryland, for New Chemotherapy of Sickie Cell Disease, under the direction of the Department of Medicine, for the period September 1, 1973 through August 31, 1974. (Project 3537-A2 - Ext. #1)
- e. \$44,400.00 from National Science Foundation, Washington, D. C., for Synthesis and Rearrangement Reactions of Novel Alicyclic Hydrocarbons, under the direction of the Department of Chemistry, for the period September 1, 1972 through August 31, 1974. (Project 3526-A1 - Ltr. Dtd. 8/22/73)
- f. \$43,280.00 additional funds from U. S. Department of Transportation, Federal Highway Administration, Contracts and Procurement Division, Washington, D. C., for Application of Fracture Mechanics for Improved Design of Bituminous Concrete, under the direction of the Department of Civil Engineering. (Project 3736-A1 - Mod. #1)
- g. \$39,589.00 from Department of Health, Education, and Welfare, Public Health Service, Health Services and Mental Health Administration, National Institute of Mental Health, Bethesda, Maryland, for Memory and Interference in Classical Conditioning, under the direction of the Department of Psychology, for the period September 1, 1973 through August 31, 1974. (Project 1779-J - Ext. #9)

III. REPORT OF RESEARCH CONTRACTS, GRANTS, GIFTS, AND AGREEMENTS  
(continued)

B. The Ohio State University Research Foundation (continued)

1. Federal Research Contracts/Grants (continued)

- h. \$39,336.00 from Department of Health, Education, and Welfare, Public Health Service, Food and Drug Administration, Rockville, Maryland, for Hydrophilic Colloid Interactions in Foods, under the direction of the Department of Food Science and Nutrition, for the period September 1, 1973 through August 31, 1974. (Project 2037-H - Ext. #8)
- i. \$38,100.00 from National Science Foundation, Washington, D. C., for Catalysis by Labile Metal Ions in Mixed Ligand Systems, under the direction of the Department of Chemistry, for the period September 1, 1970 through August 31, 1974. (Project 3101-A1 - Ltr. Dtd. 8/20/73)
- j. \$37,000.00 from Department of the Air Force, Air Force Office of Scientific Research, Arlington, Virginia, for Research on Surface Properties of Metals, under the direction of the Department of Metallurgical Engineering, for the period December 1, 1971 through August 31, 1974. (Project 3360-A1 - Mod. AFOSR-72-2242C)
- k. \$33,477.00 additional funds from Department of the Air Force, Air Force Special Weapons Center (PMRB), Kirtland Air Force Base, New Mexico, for Spectrophone Development for Field Absorption Measurements, under the direction of the Department of Electrical Engineering, ElectroScience Laboratory. (Project 3688-A1 - Mod. #P00002)
- l. \$33,194.00 from Department of Health, Education, and Welfare, Public Health Service, National Institutes of Health, National Institute of Arthritis, Metabolic, and Digestive Diseases, Bethesda, Maryland, for Polyunsaturated Fatty Acid Interconversions, under the direction of the Department of Physiological Chemistry, for the period September 1, 1973 through August 31, 1974. (Project 2090-H - Ext. #8)
- m. \$29,510.00 from Department of Health, Education, and Welfare, Public Health Service, National Institutes of Health, National Institute of Neurological Diseases and Stroke, Bethesda, Maryland, for Stereochemical Studies of Adrenergic Drugs, under the direction of the College of Pharmacy, for the period September 1, 1973 through August 31, 1974. (Project 3034-A4 - Ext. #4)



III. REPORT OF RESEARCH CONTRACTS, GRANTS, GIFTS, AND AGREEMENTS  
(continued)

B. The Ohio State University Research Foundation (continued)

1. Federal Research Contracts/Grants (continued)

- n. \$27,700.00 from National Science Foundation, Washington, D. C., for Financial Support for a Closed Loop Servo Hydraulic Testing Machine, under the direction of the Department of Metallurgical Engineering, for the period September 1, 1973 through February 28, 1975. (Project 3806-A1 - New)
- o. \$24,241.00 from Department of Health, Education, and Welfare, Public Health Service, National Institutes of Health, National Cancer Institute, Bethesda, Maryland, for Brain Tumor Chemotherapy Study, under the direction of the Department of Surgery, for the period September 1, 1969 through August 31, 1974. (Project 2484 - Mod. #9).
- p. \$23,437.00 from National Aeronautics and Space Administration, Ames Research Center, Moffett Field, California, for Ultrastructures of Rats Reared Under Hypergravity Compared with Those Reared Under Normal Gravity, under the direction of the Department of Otolaryngology, for the period September 1, 1973 through August 31, 1974. (Project 3799-A1 - New)
- q. \$22,000.00 from Department of the Army, Defense Supply Service, The Pentagon, Washington, D. C., for Evaluation of the Present Understanding of the Hydrogen Embrittlement and Stress Corrosion Cracking of Iron Base Alloys, under the direction of the Department of Metallurgical Engineering, for the period June 20, 1973 through December 31, 1973. (Project 3787-A1 - New)
- r. \$20,000.00 from Department of the Navy, Office of Naval Research, Arlington, Virginia, for Separated Flows, under the direction of the Department of Aeronautical and Astronautical Engineering, for the period September 1, 1971 through August 31, 1974. (Project 3308-A1 - Mod. #1)
- s. \$19,474.00 from National Aeronautics and Space Administration, Goddard Space Flight Center, Greenbelt, Maryland, for The Direct Combination of Satellite and Gravity Data, under the direction of the Department of Geodetic Science, for the period May 1, 1971 through July 31, 1974. (Project 3210-A1 - Sup. #3)
- t. \$17,200.00 from National Science Foundation, Washington, D. C., for Dust Concentrations in Byrd Core Compared with Climate Over Last 100,000 Years, under the direction of the Institute of Polar Studies, for the period March 1, 1972 through September 30, 1975. (Project 3416-A1 - Amend. #1)

November 2, 1973 meeting, Board of Trustees

III. REPORT OF RESEARCH CONTRACTS, GRANTS, GIFTS, AND AGREEMENTS  
(continued)

B. The Ohio State University Research Foundation (continued)

1. Federal Research Contracts/Grants (continued)

- u. \$16,500.00 from U. S. Civil Service Commission, Denver Regional Training Center, Denver, Colorado, for Contract Training for Department of Labor Training Program, under the direction of the College of Administrative Science, Division of Continuing Education, for the period August 27, 1973 through October 31, 1973. (Project 3800-A1 - New)
- v. \$15,600.00 from U. S. Civil Service Commission, Bureau of Training Management Sciences Training Center, Washington, D. C., for Cost and Price Analysis Course, under the direction of the College of Administrative Science, Division of Continuing Education, for the period August 1, 1973 through April 30, 1974. (Project 3808-A1 - New)
- w. \$14,216.00 from Department of Health, Education, and Welfare, Public Health Service, Health Services and Mental Health Administration, National Institute of Mental Health, Bethesda, Maryland, for Stimulus Encoding in Human Learning and Retention, under the direction of the Department of Psychology, for the period October 1, 1973 through September 30, 1974. (Project 3334-A3 - Ext. #2)
- x. \$14,100.00 from National Science Foundation, Washington, D. C., for Ice Crater Closure Studies of a Glacier on Deception Island, under the direction of the Institute of Polar Studies and the Department of Civil Engineering, for the period December 1, 1972 through November 30, 1974. (Project 3600-A1 - Ltr. Dtd. 8/20/73)
- y. \$13,787.00 from Department of Health, Education, and Welfare, Public Health Service, National Institutes of Health, National Institute of General Medical Sciences, Bethesda, Maryland, for Control of Differential Gene Action and Morphogenesis, under the direction of the Department of Biochemistry, for the period September 1, 1973 through August 31, 1974. (Project 3307-A3 - Ext. #2)
- z. \$10,000.00 from National Aeronautics and Space Administration, Ames Research Center, Moffett Field, California, for Effects of Weightlessness on the Development of the Vestibular Apparatus and Ocular Nystagmus in the Rat, under the direction of the Department of Anatomy, for the period October 1, 1971 through September 30, 1974. (Project 3329-A1 - Mod. #3)

III. REPORT OF RESEARCH CONTRACTS, GRANTS, GIFTS, AND AGREEMENTS  
(continued)

B. The Ohio State University Research Foundation (continued)

1. Federal Research Contracts/Grants (continued)

- aa. \$6,966.00 additional funds from Department of Health, Education, and Welfare, Public Health Service, Health Services and Mental Health Administration, National Institute of Mental Health, Rockville, Maryland, for Testing of Drug Delivery Systems for Use in Treatment of Narcotic Addiction, under the direction of the College of Pharmacy. (Project 3715-A1 - Mod. #3)
- bb. \$4,000.00 additional funds from Department of the Air Force, Space and Missile System Organization/RSSP, Los Angeles, California, for Electrically Small Antennas for Nose Cone Applications, under the direction of the Department of Electrical Engineering, Electro-Science Laboratory. (Project 3378-A1 - Mod. #P00002)
- cc. \$3,066.00 additional funds from National Aeronautics and Space Administration, Washington, D. C., for Basic Research and Data Analysis for the National Geodetic Satellite Program and for the Earth Surveys Program, under the direction of the Department of Geodetic Science. (Project 2514 - Step Funds)

TOTAL - Federal Research Contracts/Grants \$933,140.00

2. State of Ohio Research Contract/Grant

- a. \$45,300.00 from Ohio Department of Mental Health and Mental Retardation, Division of Management Services, Columbus, Ohio, for Monitoring of Community Concerns and Resources, under the direction of the School of Nursing, for the period July 1, 1973 through June 30, 1974. (Project 3802-A1 - New)

TOTAL - State of Ohio Research Contract/Grant \$45,300.00

3. Industrial, Subcontracts/Grants, and Other Non-Federal Research Contracts/Grants

- a. \$50,000.00 from Model Secondary School for the Deaf, Office of Business Affairs, Washington, D. C., for The Impact of Instructional Environment on the Affect of Deaf Adolescents, under the direction of the Academic Faculty of Curriculum and Foundations, for the period October 1, 1973 through August 31, 1974. (Project 3801-A1 - New)
- b. \$28,480.00 from Modern Language Association of America, Center for Editions of American Authors, New York, New York, for Hawthorne Edition, under the direction of the Department of English, for the period September 1, 1973 through August 31, 1974. (Project 2338-G - Ltr. Dtd. 7/17/73)

III. REPORT OF RESEARCH CONTRACTS, GRANTS, GIFTS, AND AGREEMENTS  
(continued)

B. The Ohio State University Research Foundation (continued)

3. Industrial, Subcontracts/Grants, and Other Non-Federal  
Research Contracts/Grants (continued)

- c. \$23,316.00 from Martin Marietta Corporation, Denver, Colorado, for Evaluation of S-194 (L-Rand Radiometer) Flight Data from Sky Lab, under the direction of the Department of Electrical Engineering, ElectroScience Laboratory, for the period July 20, 1973 through April 15, 1974. (Project 3749-A1 - New)
- d. \$10,000.00 additional funds from Union Carbide Corporation, Nuclear Division, Oak Ridge, Tennessee, for Fundamental Study of Spiking in Partial Penetration Electron Beam Welding of Uranium and Refractory Materials, under the direction of the Department of Welding Engineering. (Project 2918-B - Sup. #6)
- e. \$10,000.00 from Rockwell International Corporation, Columbus Aircraft Division, Columbus, Ohio, for Subsonic and Transonic Wind Tunnel Tests of Airfoil Section Having Blowing Flap, under the direction of the Department of Aeronautical and Astronautical Engineering, for the period August 21, 1973 through September 30, 1973. (Project 3796-A1 - New)
- f. \$4,994.00 from American Cancer Society, Ohio Division, Franklin County Unit, Columbus, Ohio, for A New and Rapid Method for the Isolation of Tumor Specific Antigen, under the direction of the Department of Microbiology, for the period August 1, 1973 through August 31, 1974. (Project 3757-A1 - New)
- g. \$4,950.00 from American Cancer Society, Ohio Division, Franklin County Unit, Columbus, Ohio, for Renal Involvement in Extrarenal Malignancies, under the direction of the Department of Pathology, for the period July 1, 1973 through June 30, 1974. (Project 3809-A1 - New)
- h. \$3,960.00 from Dikewood Corporation, University Research Park, Albuquerque, New Mexico, for Determination of Fields External to a Dielectric Waveguide, under the direction of the Department of Electrical Engineering, ElectroScience Laboratory, for the period June 18, 1973 through August 31, 1973. (Project 3719-A1 - New)

TOTAL - Industrial, Subcontracts/Grants, and Other  
Non-Federal Research Contracts/Grants \$135,700.00

III. REPORT OF RESEARCH CONTRACTS, GRANTS, GIFTS, AND AGREEMENTS  
(continued)

C. The Engineering Experiment Station

1. State of Ohio Research Contract

- a. \$72,360.00 from Ohio Department of Transportation, Columbus, Ohio, for Field Performance of Culvert Pipes, under the direction of the Department of Civil Engineering, for the period September 5, 1973 through September 5, 1974. (EES 463)

2. Industrial and Other Research Contract

- a. \$17,550.00 from Keystone Steel and Wire Division, Peoria, Illinois, for Sonic Wire Drawing, under the direction of the Department of Engineering Mechanics, for the period August 20, 1973 through May 19, 1974. (EES 462)

D. The Ohio State University Development Fund

1. Gifts of \$5,000 or More

- a. \$194,178.19 from Estate of C. Howard Stokes, Cleveland, Ohio, to assist with the funding of the University Activities Center.
- b. \$54,516.47 from The Associates of Medicine, Columbus, Ohio, to continue support of the Department of Medicine General Fund.
- c. \$50,250.00 from the Estate of Robert Lazarus, Columbus, Ohio, for the Robert Lazarus Professorship in Population Studies.
- d. \$20,000.00 from ALCOA Foundation, Pittsburgh, Pennsylvania, for the Alcoa Professorship in Chemical Engineering.
- e. \$20,000.00 from United Jewish Fund of Columbus, Ohio, for a Professorship of Hebrew at Ohio State University.
- f. \$16,350.00 from Pfizer, Inc., New York, New York--\$11,350.00 for research in Endocrinology and \$5,000.00 for a research fund in the Department of Surgery.
- g. \$12,000.00 from International Copper Research Association, Inc., New York, New York, for its fellowship fund.
- h. \$10,013.33 from Lowell N. Mays, Bloomfield Hills, Michigan, for the Business Administration Advisory Council Fund.

III. REPORT OF RESEARCH CONTRACTS, GRANTS, GIFTS, AND AGREEMENTS  
(continued)

D. The Ohio State University Development Fund (continued)

1. Gifts of \$5,000 or More (continued)

- i. \$10,000.00 from The Porthouse Charitable Trust, Kent, Ohio, given in the names of Cyril R. Porthouse, Roberta Diehl Porthouse, J. David Porthouse, Jacqueline S. Porthouse, and Roberta A. Benich, for support of the University Activities Center.
- j. \$9,450.00 from American Foundation for Pharmaceutical Education, Washington, D. C., for its fellowship fund.
- k. \$8,553.00 from The Charles F. High Foundation, Bucyrus, Ohio, for scholarships.
- l. \$8,000.00 from Foundation for Endowment of a Chair at Ohio State University, Inc., New York, New York, for the Meshulam Riklis Chair in the College of Administrative Science.
- m. \$7,943.45 from Estate of Melvin E. Moffitt, San Antonio, Texas, as an unrestricted gift to the University.
- n. \$7,557.00 from The Grace High Washburn Trust, Bucyrus, Ohio, for its scholarship fund.
- o. \$6,000.00 from Eastman Kodak Company, Rochester, New York, for support of a new research grant in Mechanical Engineering.
- p. \$5,640.00 from Texaco, Inc., New York, New York, for its fellowship in Chemical Engineering.
- q. \$5,500.00 from Armco Foundation, Inc., Chicago, Illinois, for its fellowship in Chemistry.
- r. \$5,000.00 from Chevron Research Company, Richmond, California, for a new research fund in the Department of Chemistry.
- s. \$5,000.00 from General Motors Corporation Research Laboratories, Warren, Michigan, for research in Metallurgical Engineering.

2. Establishment of Named Fund

- a. \$50,000.00 from friends of the College of Medicine for the establishment of the College of Medicine Progress Fund.

College of Medicine Progress Fund

The College of Medicine Progress Fund was established November 2, 1973, by the Board of Trustees of The Ohio State University with funds contributed to The Ohio State University Development Fund by friends of the College of Medicine.

III. REPORT OF RESEARCH CONTRACTS, GRANTS, GIFTS, AND AGREEMENTS  
(continued)

D. The Ohio State University Development Fund (continued)

2. Establishment of Named Fund (continued)

a. College of Medicine Progress Fund (continued)

All gifts are to be invested in the University's Permanent Endowment Fund, under the rules and regulations adopted by the Board of Trustees of The Ohio State University, with the right to invest and reinvest as occasion dictates.

The income is to be used as directed by the Dean of the College of Medicine to achieve excellence in medical education, medical research, and patient care. The principal may be invaded to the extent of part or all of it for uses as indicated above.

Should the need for this Fund cease to exist or so diminish as to provide unused income, then the income may be used for any purpose whatsoever as determined by the Board of Trustees, with preference being given to recommendations of the Dean of the College of Medicine or administrative official of the University who is then directly responsible for the College of Medicine.

3. Gifts-in-Kind

a. The Milton Caniff Collection for Research in  
Cinematography, Photography and Journalism

Milton Caniff, distinguished alumnus and internationally known and respected cartoonist, has offered to this University the complete collection of his works, including a unique reference library.

The University is fortunate to have this opportunity to add to its research holdings one of the outstanding collections of this form of graphic art and related materials.

The donor, a native of Hillsboro, Ohio, received the bachelor of arts degree from Ohio State in 1930. The long list of awards and honors earned during his career includes the Distinguished Service Award of Sigma Delta Chi; the Ohioana Career Medal; the National Service Medal and George Washington Honor Medal of the Freedoms Foundation; The Ohio State University Centennial Achievement Award; the presidency and currently the honorary chairmanship of the National Cartoonists Society; and citations from the U. S. Defense Department, Treasury Department, the Air Force Association, the Aerospace Education Council, the Boy Scouts of America, and the YMCA.

III. REPORT OF RESEARCH CONTRACTS, GRANTS, GIFTS, AND AGREEMENTS  
(continued)

D. The Ohio State University Development Fund (continued)

3. Gifts-in-Kind (continued)

- a. The Milton Caniff Collection for Research in Cinematography, Photography and Journalism (continued)

Although research would be the primary use of this collection, it is Mr. Caniff's intention that it be open and available to the largest possible number of students and others who have interest in his work.

It is recommended that Mr. Caniff's generous offer be accepted, and that the Milton Caniff Collection for Research in Cinematography, Photography and Journalism be established and appropriately housed at The Ohio State University.

- b. On April 3, 1973, Nancy L. and Carley Cramer provided The Ohio State University Development Fund with a letter of intent to make a gift of real and personal property located on the Island of St. Croix, Virgin Islands, to The Ohio State University. Subsequently, representatives from the University inspected the property and had an appraisal report from Raymond L. W. Wright, AIA Registered Architect and Licensed Appraiser, on St. Croix. The property consists of approximately 1.8 acres, three buildings, and all furnishings located on Constitution Hill, Christiansted, St. Croix, Virgin Islands. The appraised value of the property is \$286,000.

The appropriate deed searches have been completed and it is recommended that the Secretary of the Board be authorized to proceed with the acceptance of the Deed of Gift.

\*

\*

\*

IV. BUSINESS AND ADMINISTRATION

A. Architects or Engineers

1. Derby Hall Improvements - Selection of Architect/Engineer

President Enarson recommended that the engineering firm of Heapy and Associates, Dayton, Ohio, be employed to provide complete engineering services for this project including preliminary plans, basic drawings, working drawings, specifications, estimate of cost, necessary bidding documents, and supervision of construction.

The fee for this service will be negotiated between the engineering firm and the Ohio Department of Public Works. The total estimated project cost for the Derby Hall Improvements project is \$300,000.00.



IV. BUSINESS AND ADMINISTRATION (continued)

A. Architects or Engineers (continued)

1. Derby Hall Improvements - Selection of Architect/Engineer (continued)

Funds for this Architect/Engineer service have been provided from the Utilities and Renovations Appropriation (H. B. 985).

Upon motion of Mr. Shocknessy, seconded by Mr. Harrod, the above recommendation was approved by unanimous roll call vote.

B. Plans and Specifications

At the request of the Vice President for Business and Administration, President Enarson recommended that the plans and specifications, bills of materials, and estimates of cost for the following projects be approved by the Board of Trustees:

1. University Hospital, Intensive Care Unit Alteration

This project is necessary because the hospital critically requires more intensive care beds. The project will provide 21 new beds and will be located on the fourth floor adjacent to the surgical suite of the existing University Hospital. Existing intensive care beds in the hospital will remain.

Funds are budgeted in Budget Account 801279 (Hospital Rotary).

2. Agricultural Technical Institute, Wooster, Ohio--  
Street and Parking Lot Lighting

This project will provide roadway and parking lot lighting to improve traffic and pedestrian safety.

Funds are budgeted in Budget Account 024001 (Agricultural Technical Institute) H. B. 985.

Upon motion of Mr. Safford, seconded by Mr. Dunlap, the above recommendation was approved by unanimous roll call vote and the Secretary was authorized and directed to sign the plans and specifications for the above projects for and on behalf of the Board of Trustees. The Vice President for Business and Administration was directed to proceed with a request for bids in the normal University manner, and if satisfactory bids are received, to proceed with the award of contracts. All action regarding this matter will be reported to the Board of Trustees at a later meeting.

IV. BUSINESS AND ADMINISTRATION (continued)

C. Report of Award of Contracts

In accordance with authorization provided by the Board of Trustees, bids were taken on the project listed below and the contract was recommended for award. The action reported to the Board was as follows:

1. Law Building Library, Relighting

	<u>Low Bid</u>	<u>Est. of Cost</u>
<u>Electric Contract</u> (9 bids received 10-19-73)		
Electric Power Equipment Co. (Columbus)	\$6,869.00	\$24,600.00

Funds for this project have been provided in Budget Account 125064 (Contract Repair).

Upon motion of Mr. Safford, seconded by Mr. Dunlap, the above award of contracts and expenditure of funds were approved and the action of the Vice President for Business and Administration was ratified by unanimous roll call vote.

D. Other Action

1. Easement (Underground) Columbus and Southern Ohio Electric Company - University Airport

The Columbus and Southern Ohio Electric Company has requested an easement for the installation of an electric service at the University Airport. The electric service will provide power to operate the ground approach lighting system to be installed by the Federal Aviation Administration. The easement is to be granted at no cost to the University.

President Enarson recommended that the electric service easement be granted to the Columbus and Southern Ohio Electric Company. It was further recommended that the President and/or the Vice President for Business and Administration be authorized to request the Director of Public Works, pursuant to his statutory duties, to act on behalf of the University in developing the necessary legal instruments to provide the easement.

Upon motion of Mr. Harrod, seconded by Mr. Safford, the above recommendations were approved by unanimous roll call vote.

IV. BUSINESS AND ADMINISTRATION (continued)

E. Report of Controlling Board Actions Pertaining to The Ohio State University

- 1 Approves the release of \$303,388.00 from H. B. 985, Item 366-001, for the project known as "Agricultural Technical Institute" at Wooster, Ohio, for equipment and final architect fees for Building I of a new center for technical education in agriculture.
- 2 Approves the release of \$442,004.00 from H. B. 985, Item 315-067, for the project known as "University College Phase III," (Building No. 13), for equipment, final architect fees, and awarding change orders made necessary by change in program requirements.
- 3 Approves the release of \$15,886.00 from H. B. 985, Item 315-071, for the project known as "College of Optometry, Clinical Facility," for planning money.
- 4 Approves the release of \$242,660.00 for the project known as "Journalism Building Expansion," for equipment and architect fees, from H. B. 985, Item 315-064.
- 5 Approves the release of \$160,109.00 from H. B. 985, Item 315-085, for the project known as "Newark Campus, Phase II," for planning funds and loose equipment.
- 6 Approves the release of \$62,899.00 from H. B. 985, Item 315-074, for the projects known as, "Electrical Trunk Lines," - \$57,905.00, to supply power to new buildings and additional power to existing buildings, and meeting general increasing power demands on campus; "Agricultural Administration, School of Natural Resources," - \$4,936.00, for the release of planning funds; "Renovation of Stillman Hall," - \$58.00, this request is for the release of remaining contingency funds.
- 7 Approves the release of \$288,549.00 from H. B. 985, Item 315-078, for the project known as "University Hall Complex," for necessary change orders and loose equipment.
- 9 Approves the release of \$45,000.00 from H. B. 985, Item 315-074, for the project known as "Agricultural Administration Building, School of Natural Resources," to award the contracts for general; heating, ventilating, and air conditioning; and electrical work.

\*

\*

\*

November 2, 1973 meeting, Board of Trustees

V. REPORTS

A. Report on the University's Investment Portfolio

The report dated October 26, 1973, as submitted to the Finance Committee of the Board of Trustees by Mr. Ernest W. Leggett pertaining to the University's Investment Portfolio, was received and ordered to be filed with the official records of the Board of Trustees.

B. America's Leading Professional Schools

President Enarson distributed to the members of the Board copies of a recent report which appeared in the magazine, Change. This study undertaken by a Columbia faculty member purports to rate the various professional schools around the country. Ohio State was ranked fifth in Education, second in Pharmacy, third in Optometry, and fifth in Veterinary Medicine in this study.

\*

\*

\*

Thereupon the Board adjourned to meet Friday, December 7, 1973, at The Ohio State University Fawcett Center for Tomorrow, Columbus, Ohio, at 1:30 p. m.

Attest:

\_\_\_\_\_  
Edward Q. Moulton  
Secretary

\_\_\_\_\_  
Don M. Hilliker  
Chairman

THE OHIO STATE UNIVERSITY  
OFFICIAL PROCEEDINGS OF THE  
ONE THOUSAND AND NINETY-SECOND MEETING  
OF THE BOARD OF TRUSTEES

Columbus, Ohio, December 7, 1973

The Board of Trustees met at its regular monthly meeting on Friday, December 7, 1973, at The Ohio State University Fawcett Center for Tomorrow, Columbus, Ohio, pursuant to adjournment.

Present: Don M. Hilliker, Chairman, James W. Shocknessy, John H. Dunlap, John L. Gushman, Howard D. Sirak, Patricia D. James, and Chester Devenow.

\* \* \*

Minutes of the last meeting were approved.

\* \* \*

December 7, 1973 meeting, Board of Trustees

RESOLUTIONS IN MEMORIAM

President Enarson reported to the Board the deaths of Eugene Van Cleef, Professor Emeritus in the Department of Geography, and Louis Edmond Vandegrift, Professor Emeritus in the Department of Civil Engineering. In accordance with the instructions of the Board of Trustees, copies of the following resolutions expressing on behalf of the University the sorrow and sympathy of the Board will be furnished the families of the deceased.

A. Eugene Van Cleef

The Board of Trustees of The Ohio State University expresses its sorrow at the death of Eugene Van Cleef, Professor Emeritus in the Department of Geography, on November 7, 1973.

Dr. Van Cleef was born January 17, 1887, in Chicago, Illinois. He obtained a S. B. degree from the University of Chicago in 1908 after which he was employed with Rand McNally and Company until 1911. His service as an Instructor in Geography at the State Teachers College, Duluth, Minnesota, from 1911 to 1918 was interrupted by a year of graduate study at the University of Leipzig. He obtained the Ph. D. degree from Clark University in 1926.

In 1921 Dr. Van Cleef joined the faculty of The Ohio State University where he served a long and distinguished career, retiring in 1957. During his tenure he compiled an impressive bibliography reflecting his interests in climatology, business and foreign trade, and urban geography and planning. Included was the first American text in Urban Geography entitled Trade Centers and Trade Routes.

Throughout his academic career, Dr. Van Cleef earned and enjoyed the admiration and respect of a large number of businessmen and officials in state and local government. He founded the International Trade Committee of the Columbus Area Chamber of Commerce and served on the Columbus, Franklin County, and Upper Arlington Planning Commissions. Such responsibilities reflected his concern with the application of his discipline to urban planning and development.

On behalf of the University community, the Board of Trustees expresses to the brother of Dr. Van Cleef its deepest sympathy. It was directed that this resolution be inscribed in the minutes of the Board of Trustees and that a copy be tendered to his brother as a sincere expression of sympathy and respect.

B. Louis Edmond Vandegrift

The Board of Trustees of The Ohio State University expresses its sorrow at the death of Louis E. Vandegrift, Professor Emeritus in the Department of Civil Engineering, on November 7, 1973.

RESOLUTIONS IN MEMORIAM (continued)

B. Louis Edmond Vandegrift (continued)

Professor Vandegrift was born February 10, 1893, in Hollywood, West Virginia, but moved to Columbus at an early age. Although family circumstances prevented completion of formal secondary education, independent study enabled him to gain admission to The Ohio State University from which he received the B. S. degree in 1920. Between 1909 and 1916, he had worked for a sheet metal company and for the Norfolk and Western Railroad. He also served in the infantry during the First World War.

Following graduation from The Ohio State University, Professor Vandegrift was for a number of years self-employed as a building contractor. In 1928, he became a field engineer with the City of Columbus, supervising construction of various bridges, buildings, and waterworks, including the O'Shaughnessy Dam. From 1936 to 1940, he worked for a heavy construction firm and as a supervisor in the Public Works Administration.

Between the years 1940 and 1946, he served as Research Engineer for the Bureau of Bridges, Ohio Department of Highways, and obtained the M. S. and C. E. degrees from The Ohio State University where he also taught part time as Assistant Professor of Mechanics. From 1946 to 1948, he was Associate Professor of Civil Engineering at Wayne State University and in 1948 became Professor of Civil Engineering and Research Professor of Structural Engineering at The Ohio State University, positions he held until his retirement in 1960.

Professor Vandegrift was a member of the American Society of Civil Engineers, American Concrete Institute, American Railway Engineers Association, and American Society for Engineering Education, as well as of the honoraries Tau Beta Pi, Chi Epsilon, Pi Mu Epsilon, Sigma Xi, and Triangle Fraternity. He was the author of several bulletins of the Engineering Experiment Station and served as consultant on a number of complex structures and storage elevators. Following retirement from the University, he again served the City of Columbus in a supervising capacity.

This modest self-made man, possessed of unusual idealism, ability, and personality, was greatly esteemed and respected by his associates and students for his intimate knowledge of engineering practice and his thorough understanding of theory and engineering principles.

On behalf of the University community, the Board of Trustees expresses to the family of Professor Vandegrift its deepest sympathy. It was directed that this resolution be inscribed in the minutes of the Board of Trustees and that a copy be tendered to Mrs. Vandegrift and her daughter as a sincere expression of sympathy and respect.

December 7, 1973 meeting, Board of Trustees

President Enarson presented the following recommendations:

I. GENERAL RECOMMENDATIONS

A. Revision of Rules 27.0701 and 27.0703 of Rules for the University Faculty

The University Senate by an action on November 13, 1973, approved a revision of the Rules for the University Faculty pertaining to the representation and election of the members on the Graduate Council. The specific nature of this proposed revision is presented on the accompanying page. (See page 257.)

President Enarson recommended that this revision in the Rules for the University Faculty as approved by the University Senate be approved by the Board of Trustees, effective immediately.

Upon motion of Mr. Dunlap, seconded by Mr. Shocknessy, the Board of Trustees approved the foregoing recommendation by unanimous voice vote.

B. Establishment of a Program in Black Studies  
Leading to Master of Arts Degree

The Curriculum Committee of the College of Humanities, the Executive Committee of the Graduate School, the Graduate Council, the Council on Academic Affairs, and the University Senate at its meeting November 13, 1973, have approved a program leading to the Master of Arts in Black Studies and recommended it for adoption by this Board, with the program to be effective upon approval of this Board and the Ohio Board of Regents.

This Master of Arts program is conceived as an extension of the academic work previously established by the Black Studies Department at the undergraduate level. Students enrolled for the Master of Arts program may specialize in Afro-American and African Literature, Afro-American and African Politics, Philosophy in the Black World, Black Community Development, and Afro-American and African History. The Black Studies Library has become a major distribution center for the 21,500 titles available for circulation. The Master of Arts program will be unique in Ohio since no other universities in Ohio offer comprehensive programs in this area.

President Enarson recommended that the proposal of the University Senate be adopted, and pursuant to Section 3333.04 of the Revised Code of Ohio, with the approval of the Board of Trustees, the proposal be forwarded to the Ohio Board of Regents for approval.

Upon motion of Mr. Devenow, seconded by Mrs. James and Mr. Shocknessy, the Board of Trustees approved the foregoing recommendation by unanimous roll call vote.



Revision of Rules 27.0701 and 27.0703 of Rules for the University Faculty

On November 13, 1973, the University Senate approved changes in Rules 27.0701 and 27.0703 of Rules for the University Faculty. The text of each Rule as modified is as follows:

27.0701 (Section c, paragraph 2). Membership.

Service as an alternate does not make the alternate ineligible for election to membership in the Council the following year.

- o -

27.0703 (Section 2, paragraph 2). Elections.

There shall be a Graduate Council Nominating Committee in each area, consisting of the retiring member of the Graduate Council representing that area, as chairman, and as members the continuing members representing that area and the chairman of the graduate committee for each Department in that area or, in the absence of a graduate committee, the Department Chairman or his designee. The committee shall make a minimum of four nominations, including nominations received by petition from any six or more members of the Graduate Faculty of the area concerned. The area nominating committee shall prepare and mail the election ballot to each member of its graduate faculty. The election ballots shall be counted by that committee. The person or persons receiving the highest number of votes shall be elected to the vacancy or vacancies existing at the time of election. The person receiving the next highest number of votes shall be an alternate member for a term of two years.

- o -

December 7, 1973 meeting, Board of Trustees

I. GENERAL RECOMMENDATIONS (continued)

C. Establishment of a Department of Statistics

Upon the recommendation of the College of Mathematics and Physical Sciences and the Council on Academic Affairs, the University Senate on November 13, 1973, approved departmental status for the Division of Statistics, effective July 1, 1974.

The Division of Statistics was established in 1969 to provide a program for those who wish to specialize in this area at the undergraduate and graduate levels, as well as to provide consultation service on statistical problems to all disciplines and to support research on this subject.

At the present time programs are available which lead to a Bachelor of Science, Master of Science, and Doctor of Philosophy degrees. During the four quarters, Summer 1971 through Spring 1972, the Division taught 1,923 students with 9,059 credit hours.

President Enarson recommended that a Department of Statistics be established, effective July 1, 1974, in accordance with the University Senate's recommendation.

Upon motion of Mr. Gushman, seconded by Mr. Dunlap, the Board of Trustees approved the above recommendation by unanimous voice vote.

D. Adoption of an Official Shield for the School of Allied Medical Professions

The administration, faculty, and students of the School of Allied Medical Professions of the College of Medicine have accepted a shield for the School of Allied Medical Professions. It is the intention of the personnel of the School to wear this shield on their coats in a manner similar to that of faculty, staff members, and students of the College of Medicine, University Hospital, and School of Nursing.

President Enarson recommended that the Board of Trustees approve the proposed shield as submitted by the Vice President for Medical Affairs, and further that the original copy of such shield be filed with the official records of the Board of Trustees.

Upon motion of Mr. Dunlap, seconded by Mr. Gushman, the Board of Trustees approved the above recommendation by unanimous voice vote.

E. Degrees and Certificates Conferred--Autumn Quarter Commencement

President Enarson recommended that degrees and certificates be conferred at the Autumn Quarter Commencement Convocation on December 14, 1973, to those students who have completed the requirements for their respective degrees and certificates and are recommended by the University Senate. The names of those awarded degrees and certificates will be included in the minutes of this meeting. (See Appendix II, page 289.)

Upon motion of Mr. Shocknessy, seconded by Mr. Devenow, the Board of Trustees approved the above recommendation by unanimous voice vote.

December 7, 1973 meeting, Board of Trustees

I. GENERAL RECOMMENDATIONS (continued)

F. Renaming of "Royer Commons"

At the request of the Vice President for Student Services, acting upon a request from the Office of Residence and Dining Halls, President Enarson recommended that the building now identified as "Royer Commons" (by action of the Board of Trustees on April 6, 1966), be renamed "Royer Student Activities Center."

This building is currently being used by North Campus Residence Hall students as a student activities center.

This proposal is in accordance with the Bylaws of the Board of Trustees.

Upon motion of Mr. Devenow, seconded by Mrs. James, the Board of Trustees by unanimous voice vote approved the foregoing recommendation to rename the building located at 85 Curl Drive as "Royer Student Activities Center."

\*

\*

\*

II. PERSONNEL ACTIONS

Personnel actions since the November 2, 1973 meeting of the Board, as recorded in the official "Salary Roll" of the University, include the following Appointments, Leaves of Absence Without Salary, and Emeritus Titles:

A. Appointments

John W. Shumaker from Associate Professor in the Department of Classics to Associate Dean of the College of Humanities, effective January 1, 1974, at a salary of \$18,528.00 per annum. He will continue as Associate Professor in the Department of Classics at No Salary.

Robert Earl Roth from Associate Professor in the School of Natural Resources and Associate Director for Environmental Education project through The Ohio State University Research Foundation to Associate Professor and Chairman of the Division of Environmental Education in the School of Natural Resources, effective January 1, 1974. Dr. Roth will continue on the Environmental Education project (part time - 30 per cent), at a total salary of \$20,448.00 per annum.

Thomas G. Skillman from Professor in the Department of Medicine to Professor (Endocrinology Chair in the College of Medicine), effective January 1, 1974, at a salary of \$37,008.00 per annum.

December 7, 1973 meeting, Board of Trustees

II. PERSONNEL ACTIONS (continued)

B. Leaves of Absence Without Salary

Robert H. Bremner, Professor, Department of History, effective July 1, 1974 through September 30, 1974, to continue work under the National Endowment for the Humanities grant.

Raphael D. Levine, Professor, Department of Chemistry, effective October 1, 1973 through December 31, 1973, to continue work at the Hebrew University in Jerusalem.

Harold B. Pepinsky, Professor, Department of Psychology, effective January 1, 1974 through March 31, 1974, to consult with the Provost and Faculty of Omega College, University of West Florida, on curricular plans; to serve as Visiting Distinguished Professor of Psychology at Louisiana State University; and to continue with research and writing projects.

C. Emeritus Titles

Julia L. Marine, Colleges of the Arts and Sciences, with the title Assistant Dean Emeritus, effective January 1, 1974.

Evelyn P. Gordon, School of Allied Medical Professions, with the title Instructor Emeritus, effective August 1, 1973.

President Enarson recommended that the Appointments, Leaves of Absence Without Salary, Emeritus Titles, and the personnel budget actions as recorded in the "Salary Roll" of the University be approved.

Upon motion of Mr. Dunlap, seconded by Mr. Gushman, the Board of Trustees approved the foregoing recommendation by unanimous roll call vote, and the Secretary was instructed to file these changes in the "Salary Roll," an official document of the University.

\*

\*

\*

December 7, 1973 meeting, Board of Trustees

III. REPORT OF RESEARCH CONTRACTS, GRANTS, GIFTS, AND AGREEMENTS

President Enarson recommended that the following contracts and grants negotiated and monies received for the month of October be accepted.

Summary for October 1973

	No. of Projects	Support Level
Office of Fiscal Affairs and the Treasurer of the University	10	\$ 293,017.00
The Ohio State University Research Foundation	45	1,749,298.03
The Engineering Experiment Station	8	320,482.00
	(Donors)	
The Ohio State University Development Fund	3,270	400,405.56

A detailed listing of the items in each section is shown on the following pages.

Upon motion of Mr. Devenow, seconded by Mrs. James, the research agreements between The Ohio State University and The Ohio State University Research Foundation for the contracts and grants reported herein, and the acceptance of the report from the Office of Fiscal Affairs and the Treasurer of the University and The Ohio State University Development Fund, including the establishment of named funds, were approved by unanimous voice vote.

III. REPORT OF RESEARCH CONTRACTS, GRANTS, GIFTS, AND AGREEMENTS  
(continued)

A. Office of Fiscal Affairs and the Treasurer of the University

1. Federal Contracts/Grants

- a. \$56,164.00 additional grant from Department of Health, Education, and Welfare, Public Health Service, Bureau of Health Resources Development, Bethesda, Maryland, for the counseling, referral, job development and education placement activities in Ohio, under the direction of the College of Medicine, for the period September 30, 1973 through September 30, 1974. (Contract No. N01-AH-24026, Modification No. 3)
- b. \$38,386.00 granted by National Science Foundation, Washington, D. C., for 1974 Summer Institute in Mathematics for Secondary School Teachers, under the direction of the Department of Mathematics. This grant expires September 30, 1974. (Grant GW-7709, Amendment No. 1, Proposal No. 4/00092)
- c. \$24,640.00 additional grant from Department of Health, Education, and Welfare, Office of Education, Washington, D. C., for Abstracts of Instructional Materials (AIM) and Abstracts of Research Materials (ARM) on Vocational and Technical Education, under the direction of the Center for Vocational-Technical Education, for the period February 1, 1973 through February 28, 1974. (Grant No. OEG-0-73-3016)
- d. \$22,968.00 granted by Department of Health, Education, and Welfare, Public Health Service, National Institute of General Medical Sciences, Bethesda, Maryland, for Chromosome: Regulation, Organization and Function, Development Award - Research Career Program, under the direction of the Department of Microbiology, for the period January 1, 1974 through December 31, 1974. (Grant No. 5 K04 GM70300-02)
- e. \$10,943.00 additional grant from Defense Civil Preparedness Agency, Region Four - Federal Center, Battle Creek, Michigan, for Conducting Four Regional and State, Local On-Site Assistance Surveys to Determine State and Local Training Requirements, under the direction of the Division of Continuing Education, to be completed on or before December 31, 1973. (Contract No. DAHC20-73-C-0211, Modification No. P026-2)

TOTAL - Federal Contracts/Grants \$153,136.00

III. REPORT OF RESEARCH CONTRACTS, GRANTS, GIFTS, AND AGREEMENTS  
(continued)

A. Office of Fiscal Affairs and the Treasurer of the University (continued)

2. State of Ohio Contracts/Grants

- a. \$86,000.00 granted by Ohio Department of Mental Health and Mental Retardation, Division of Mental Retardation and Developmental Disabilities, Columbus, Ohio, for the purpose of creating a manpower pool in Ohio of knowledgeable local personnel in a variety of service settings, under the direction of the Nisonger Center for Mental Retardation, for the period September 25, 1973 through July 20, 1974.
- b. \$919.00 granted by State Department of Education, Division of Vocational Education, Columbus, Ohio, for Professional Education Competency of Three Different Groups of Vocational Agriculture Teachers in Ohio, under the direction of the Department of Agricultural Education, for the period July 1, 1973 through June 30, 1974.

TOTAL - State of Ohio Contracts/Grants \$86,919.00

3. Industrial and Other Contracts/Grants

- a. \$20,000.00 granted by University of Puerto Rico, Rio Piedras, Puerto Rico, for faculty and non-credit instruction in social work at the post M.S.W. level for residents of Puerto Rico on the campus of the Catholic University, Ponce, under the direction of the School of Social Work, for the period October 21, 1973 through June 15, 1975.
- b. \$18,848.00 granted by Columbus Metropolitan Area Community Action Organization, Columbus, Ohio, for support of the New Careers Program, under the direction of the College of Administrative Science, for the period September 1, 1973 through June 14, 1974. (Contract No. 6)
- c. \$14,114.00 granted by Columbus Metropolitan Area Community Action Organization, Columbus, Ohio, for support of the New Careers Program, under the direction of the School of Social Work, for the period September 1, 1973 through June 14, 1974. (Contract No. 5)

TOTAL - Industrial and Other Contracts/Grants \$52,962.00

III. REPORT OF RESEARCH CONTRACTS, GRANTS, GIFTS, AND AGREEMENTS  
(continued)

B. The Ohio State University Research Foundation

1. Federal Research Contracts/Grants

- a. \$261,961.00 from Department of Health, Education, and Welfare, Public Health Service, National Institutes of Health, Division of Research Resources, Bethesda, Maryland, for General Clinical Research Center - 10 Beds, under the direction of the Department of Medicine, for the period October 1, 1973 through September 30, 1974. (Project 1196-2N - Ext. #13)
- b. \$95,500.00 from National Science Foundation, Washington, D. C., for Fluid Mechanics Problems in Arterial Disease, under the direction of the Department of Aeronautical and Astronautical Engineering, for the period October 1, 1971 through September 30, 1975. (Project 3331-A1 - Ltr. Dtd. 10/16/73)
- c. \$95,241.00 from Department of Health, Education, and Welfare, Public Health Service, National Institutes of Health, Division of Nursing, Bethesda, Maryland, for Research Development Program, under the direction of the School of Nursing, for the period October 1, 1973 through September 30, 1974. (Project 2927-D - Ext. #4)
- d. \$67,963.03 from Department of Health, Education, and Welfare, Public Health Service, National Institutes of Health, National Library of Medicine, Bethesda, Maryland, for Participation in the Biomedical Data Network (BDN), under the direction of the College of Medicine, for the period June 28, 1972 through October 31, 1974. (Project 3497-A1 - Mod. #2)
- e. \$62,200.00 from Department of Health, Education, and Welfare, Public Health Service, National Institutes of Health, National Cancer Institute, Bethesda, Maryland, for Highly Strained Nitrogen Heterocyclics, under the direction of the Department of Chemistry, for the period October 1, 1973 through September 30, 1974. (Project 1640-K - Ext. #10)
- f. \$61,534.00 additional funds from National Aeronautics and Space Administration, Washington, D. C., for Basic Research and Data Analysis for the Geodetic Satellite Program and for the Earth Surveys Program, under the direction of the Department of Geodetic Science. (Project 2514 - Step Funds)
- g. \$61,400.00 from National Science Foundation, Washington, D. C., for Collaborative Research on the Foreign Events of Nations, under the direction of the Mershon Center for Education in National Security, for the period October 1, 1973 through September 30, 1975. (Project 3822-A1 - New)



III. REPORT OF RESEARCH CONTRACTS, GRANTS, GIFTS, AND AGREEMENTS  
(continued)

B. The Ohio State University Research Foundation (continued)

1. Federal Research Contracts/Grants (continued)

- h. \$54,017.00 from Department of Health, Education, and Welfare, Public Health Service, National Institutes of Health, National Institute of Child Health and Human Development, Bethesda, Maryland, for Comparative Studies in Perinatal Toxicology, under the direction of the Department of Veterinary Physiology and Pharmacology, for the period October 1, 1973 through September 30, 1974. (Project 2962-D - Ext. #4)
- i. \$52,345.00 from Department of Health, Education, and Welfare, Public Health Service, National Institutes of Health, National Heart and Lung Institute, Bethesda, Maryland, for Biophysical Mechanisms of Cardiac Membrane Responses, under the direction of the Department of Pharmacology, for the period September 1, 1973 through August 31, 1974. (Project 2085-H - Ext. #8)
- j. \$50,000.00 from Department of the Navy, Office of Naval Research, Arlington, Virginia, for Exploratory Development Studies Computational Techniques for Satellite Antenna and Antenna Systems, under the direction of the Department of Electrical Engineering, ElectroScience Laboratory, for the period July 1, 1972 through June 30, 1974. (Project 3468-A1 - Mod. #01)
- k. \$50,000.00 from Department of the Air Force, Air Force Office of Scientific Research, Arlington, Virginia, for Information Processing for Target Detection and Classification, under the direction of the Department of Electrical Engineering, ElectroScience Laboratory, for the period January 1, 1974 through December 31, 1974. (Project 3815-A1 - New)
- l. \$50,000.00 from National Science Foundation, Washington, D. C., for Spectroelectrochemistry and Related Electron Transfer Studies, under the direction of the Department of Chemistry, for the period October 1, 1973 through September 30, 1974. (Project 3817-A1 - New)
- m. \$45,800.00 from National Science Foundation, Washington, D. C., for Improved Design Techniques for Low Noise Corrugated Horn Antennas, under the direction of the Department of Electrical Engineering, ElectroScience Laboratory, for the period September 15, 1973 through September 14, 1975. (Project 3821-A1 - New)
- n. \$44,600.00 from National Science Foundation, Washington, D. C., for Chemistry of Bent Bonds, under the direction of the Department of Chemistry, for the period October 1, 1971 through September 30, 1974. (Project 3313-A1 - Ltr. Dtd. 9/28/73)

III. REPORT OF RESEARCH CONTRACTS, GRANTS, GIFTS, AND AGREEMENTS  
(continued)

B. The Ohio State University Research Foundation (continued)

1. Federal Research Contracts/Grants (continued)

- o. \$38,506.00 from National Aeronautics and Space Administration, Washington, D. C., for Proposed Activity Related to Earth and Ocean Physics Applications Program (EOPAP), under the direction of the Department of Geodetic Science, for the period October 1, 1973 through September 30, 1975. (Project 3820-A1 - New)
- p. \$32,768.00 from Department of Health, Education, and Welfare, Public Health Service, National Institutes of Health, National Cancer Institute, Bethesda, Maryland, for Aberrant Gene Expression During Chemotherapy, under the direction of the Department of Physiological Chemistry, for the period October 1, 1973 through September 30, 1974. (Project 3546-A2 - Ext. #1)
- q. \$32,036.00 from National Aeronautics and Space Administration, Langley Research Center, Hampton, Virginia, for Recovery Temperature Investigation for Viking Entry Probe, under the direction of the Department of Aeronautical and Astronautical Engineering, for the period September 28, 1973 through March 27, 1974. (Project 3811-A1 - New)
- r. \$22,480.00 from Department of Labor, Manpower Administration, Office of Research and Development, Washington, D. C., for A Disaggregate Study of the Effects of Unemployment Rates on Labor Study, under the direction of the Department of Economics, for the period October 1, 1973 through September 30, 1974. (Project 3813-A1 - New)
- s. \$20,624.00 additional funds from Department of the Army, Huntington District, Corps of Engineers, Huntington, West Virginia, for Environmental Analysis of Central Ohio, under the direction of the College of Biological Sciences, Ohio Biological Survey. (Project 3492-A1 - Ltr. Dtd. 9/28/73)
- t. \$20,205.00 from Department of the Air Force, Office of Scientific Research, Arlington, Virginia, for Synthesis and Properties of Rotaxane Compounds, under the direction of the Department of Chemistry, for the period February 1, 1972 through September 30, 1974. (Project 3377-A1 - Mod. #AFOSR-72-2237B)
- u. \$17,800.00 from National Science Foundation, Washington, D. C., for Surface Buckling on Meserve Glacier and Adjacent Glaciers, Wright Valley, Antarctica, under the direction of the Institute of Polar Studies, for the period May 15, 1971 through August 31, 1974. (Project 3219-A1 - Ed. #4)

III. REPORT OF RESEARCH CONTRACTS, GRANTS, GIFTS, AND AGREEMENTS

(continued)

B. The Ohio State University Research Foundation (continued)

1. Federal Research Contracts/Grants (continued)

- v. \$17,140.00 from Department of Health, Education, and Welfare, Public Health Service, National Institutes of Health, Office of the Director, Research Contracts Branch, Bethesda, Maryland, for Presentation of Instructional Course Entitled Program Officials Guide to Contracting, under the direction of the College of Administrative Science, Division of Continuing Education, for the period September 10, 1973 through June 30, 1974. (Project 3804-A1 - New)
- w. \$16,100.00 from National Science Foundation, Washington, D. C., for Multi-User Information Channels, under the direction of the Department of Mathematics, for the period October 1, 1973 through September 30, 1975. (Project 3823-A1 - New)
- x. \$14,250.00 from Department of Health, Education, and Welfare, Public Health Service, Food and Drug Administration, Rockville, Maryland, for Conduct Training Course Entitled: "Program Officials Guide to Contracting," under the direction of the College of Administrative Science, Division of Continuing Education, for the period October 1, 1973 through March 29, 1974. (Project 3814-A1 - New)
- y. \$12,570.00 from Department of Health, Education, and Welfare, Office of the Secretary, Procurements and Contracts, Washington, D. C., for National Conference on the Legal Rights of Mentally Retarded Citizens for the President's Committee on Mental Retardation, under the direction of the College of Law, for the period February 7, 1973 through December 31, 1973. (Project 3630-A1 - Mod. #2)
- z. \$10,000.00 from Department of the Navy, Office of Naval Research, Arlington, Virginia, for Nuclear Magnetic Resonance, under the direction of the Department of Chemistry, for the period July 1, 1973 through December 31, 1973. (Project 3803-A1 - New)
- aa. \$9,990.00 from National Endowment for the Arts, Washington, D. C., for Student Artist in Residence, under the direction of the College of The Arts, Division of Art Education, for the period September 27, 1973 through June 9, 1974. (Project 3816-A1 - New)
- bb. \$6,108.00 from U. S. Postal Service, Support Group, Washington, D. C., for Development of Optimum Transportation System by Modes: Phase I, under the direction of Academic Faculty of Marketing, for the period July 12, 1973 through October 31, 1973. (Project 3748-A1 - Mod. Dtd. 10/19/73)

III. REPORT OF RESEARCH CONTRACTS, GRANTS, GIFTS, AND AGREEMENTS  
(continued)

B. The Ohio State University Research Foundation (continued)

1. Federal Research Contracts/Grants (continued)

- cc. \$4,376.00 additional funds from Department of the Army, Huntington District, Corps of Engineers, Huntington, West Virginia, for Environmental Analysis of Central Ohio, under the direction of the College of Biological Sciences, Ohio Biological Survey. (Project 3492-C1 - Ltr. Dtd. 9/28/73)
- dd. \$500.00 additional funds from Department of the Interior, National Park Service, Northeast Region Office, Philadelphia, Pennsylvania, for Natural Landmark Evaluation Reports, under the direction of the Department of Zoology. (Project 3437-A1 - Amend. #1)

TOTAL - Federal Research Contracts/Grants \$1,328,014.03

2. Industrial, Subcontracts/Grants, and Other Non-Federal Research Contracts/Grants

- a. \$85,160.00 additional funds from State of Ohio, Ohio Industrial Relations Department, Columbus, Ohio, for Studying, Evaluating, and Developing a State of Ohio Plan for Occupational Safety and Health Act (1970), under the direction of the College of Administrative Science, Division of Continuing Education. (Project 3439-A1 - Amend. #2)
- b. \$70,000.00 from Columbus/Franklin County Criminal Justice Coordinating Council, Columbus, Ohio, for Halfway House Evaluation Project, under the direction of the College of Administrative Science, Division of Public Administration, for the period October 1, 1973 through September 30, 1974. (Project 3810-A1 - New)
- c. \$65,554.00 from Department of Mental Health and Mental Retardation, Division of Administration on Aging, Columbus, Ohio, for Homebound Dental Care, under the direction of the College of Dentistry, for the period October 1, 1973 through September 30, 1974. (Project 3542-A2 - Ext. #1)
- d. \$52,508.00 from State of Ohio, Department of Health, Columbus, Ohio, for Family Planning Clinic, under the direction of the Department of Obstetrics and Gynecology, for the period April 1, 1973 through December 31, 1973. (Project 3510-A2 - Ext. #1)
- e. \$27,000.00 from State of Ohio, Department of Health, Columbus, Ohio, for Newborn Care, under the direction of the Department of Pediatrics, for the period July 1, 1973 through December 31, 1973. (Project 2052-H - Ext. #8)

III. REPORT OF RESEARCH CONTRACTS, GRANTS, GIFTS, AND AGREEMENTS  
(continued)

B. The Ohio State University Research Foundation (continued)

2. Industrial, Subcontract/Grants, and Other Non-Federal  
Research Contracts/Grants (continued)

- f. \$24,000.00 from Abbott Laboratories, North Chicago, Illinois, for Chemistry of Mold Metabolites, under the direction of the College of Pharmacy, for the period September 1, 1973 through August 31, 1974. (Project 3819-A1 - New)
- g. \$20,780.00 from State of Ohio, Department of Health, Columbus, Ohio, for Family Planning - Infertility Clinic, under the direction of the Department of Obstetrics and Gynecology, for the period April 1, 1973 through December 31, 1973. (Project 3509-A2 - Ext. #1)
- h. \$19,620.00 from Philips Roxane Laboratories, Inc. (Subsidiary of North American Roxane), Columbus, Ohio, for Comparative Bioavailability of Digoxin Products, under the direction of the College of Pharmacy, for the period September 1, 1973 through August 31, 1974. (Project 3812-A1 - New)
- i. \$13,504.00 from City of New York, Health Services Administration, New York, New York, for Synthesis and Pharmacological Evaluation of Potential Narcotic Antagonists, under the direction of the College of Pharmacy, for the period April 1, 1973 through March 31, 1974. (Project 3655-A1 - New)
- j. \$13,119.00 from Ohio Department of Rehabilitation and Corrections, Columbus, Ohio, for Evaluation of Community Reintegration Centers - Phase II, under the direction of the College of Administrative Science, Division of Public Administration, for the period July 1, 1973 through June 30, 1974. (Project 3827-A1 - New)
- k. \$11,550.00 from American Heart Association, Inc., New York, New York, for Studies on the Distribution of Renal Blood Flow, under the direction of the Department of Medicine, for the period October 1, 1973 through September 30, 1974. (Project 3772-A1 - New)
- l. \$9,333.00 from Columbus/Franklin County Criminal Justice Coordinating Council, Columbus, Ohio, for Halfway House Evaluation Project, under the direction of the College of Administrative Science, Division of Public Administration, for the period October 1, 1973 through September 30, 1974. (Project 3810-B1 - New)
- m. \$5,000.00 from Charles F. Kettering Foundation, Dayton, Ohio, for Interim Feedback Surveys of International Involvement in Findlay, Ohio, under the direction of the Mershon Center for Education in National Security, for the period September 1, 1973 through August 31, 1974. (Project 3818-A1 - New)

December 7, 1973 meeting, Board of Trustees

III. REPORT OF RESEARCH CONTRACTS, GRANTS, GIFTS, AND AGREEMENTS  
(continued)

B. The Ohio State University Research Foundation (continued)

2. Industrial, Subcontracts/Grants, and Other Non-Federal  
Research Contracts/Grants (continued)

- n. \$3,100.00 additional funds from American Iron and Steel Institute, New York, New York, for Substitute Fluxes for the BOF, under the direction of the Department of Metallurgical Engineering. (Project 3732-A1 - Ltr. Dtd. 10/1/73)
- o. \$1,056.00 from Adult Probation Department, Franklin County Court of Common Pleas, Columbus, Ohio, for Evaluation of Volunteers in Probation Project, under the direction of the College of Administrative Science, Division of Public Administration, for the period October 1, 1973 through April 30, 1974. (Project 3825-A1 - New)

TOTAL - Industrial, Subcontracts/Grants, and Other  
Non-Federal Research Contracts/Grants \$421,284.00

C. The Engineering Experiment Station

1. State of Ohio Research Contracts

- a. \$127,277.00 from Ohio Department of Industrial Relations, Columbus, Ohio, for Technical Assistance to the Board of Building Standards on Revision of the Ohio Building Code, under the direction of the Department of Civil Engineering, for the period September 17, 1973 through December 16, 1973. (EES 467)
- b. \$57,000.00 from Ohio Department of Transportation, Columbus, Ohio, for Signal Progression on Routes in Suburban-to-Rural Areas, under the direction of the Department of Civil Engineering, for the period October 1, 1973 through September 30, 1974. (EES 471)
- c. \$28,000.00 from Ohio Department of Transportation, Columbus, Ohio, for Development of Guidelines for the Application of Continuous Two-Way Left-Turn Median Lanes, under the direction of the Department of Civil Engineering, for the period October 2, 1973 through October 1, 1974. (EES 470)
- d. \$5,000.00 from Ohio Department of Natural Resources, Columbus, Ohio, for A Study to Demonstrate Applications of Small-Format Aerial Photography, under the direction of the Department of Civil Engineering, for the period October 12, 1973 through October 11, 1974. (EES 469)

TOTAL - State of Ohio Research Contracts \$217,277.00

III. REPORT OF RESEARCH CONTRACTS, GRANTS, GIFTS, AND AGREEMENTS  
(continued)

C. The Engineering Experiment Station (continued)

2. Industrial and Other Research Contracts

- a. \$50,000.00 from The Ohio State University, Columbus, Ohio, for Study of Energy Conservation for University Buildings, under the direction of the Department of Mechanical Engineering, for the period October 11, 1973 through October 10, 1974. (EES 468)
- b. \$25,979.00 from Lilliston Corporation, Albany, Georgia, for Application of Sonic Power in Agriculture, under the direction of the Department of Engineering Mechanics, for the period September 24, 1973 through September 23, 1974. (EES 464)
- c. \$18,000.00 from American Gas Association, Arlington, Virginia, for An Experimental and Analytical Study of the Influence of Sound on the Products of Combustion, Flame Control, and the Sound Power of the Combustion Process, under the direction of the Department of Mechanical Engineering, for the period October 1, 1973 through September 30, 1974. (EES 466)
- d. \$9,226.00 from Whirlpool Corporation, Benton Harbor, Michigan, for Investigation of Ultrasonic Deep Drawing, under the direction of the Department of Engineering Mechanics, for the period October 1, 1973 through March 30, 1974. (EES 465)

TOTAL - Industrial and Other Research Contracts \$103,205.00

D. The Ohio State University Development Fund

1. Gifts of \$5,000 or More

- a. \$57,548.95 from Estate of Mervin B. France, Cleveland, Ohio, for a purpose to be designated at a later date.
- b. \$33,580.00 from Ohio Lions Eye Research Foundation, Springfield, Ohio, for support of various projects in the College of Optometry.
- c. \$23,989.25 from Louise Orr Scott Foundation, Columbus, Ohio-- \$17,991.94 for scholarships in the College of Medicine and \$5,997.31 for scholarships in the College of Pharmacy.
- d. \$14,400.00 from Trust under the Will of Glenna R. Joyce, Columbus, Ohio, for the Glenna R. Joyce Scholarship Fund.
- e. \$13,569.63 from Children's Hospital - Dispatch Charities - Pro Am Championship, Columbus, Ohio, for an endowed scholarship fund for students in the College of Law.

III. REPORT OF RESEARCH CONTRACTS, GRANTS, GIFTS, AND AGREEMENTS  
(continued)

D. The Ohio State University Development Fund (continued)

1. Gifts of \$5,000 or More (continued)

- f. \$12,250.00 from Ohio Electric Utility Institute, Columbus, Ohio, for its fellowship fund in the Department of Electrical Engineering.
- g. \$12,000.00 from Battelle Memorial Institute, Columbus, Ohio, for its Professorship in Theoretical Chemistry.
- h. \$12,000.00 from Estate of Olline G. Hyman, Columbus, Ohio, for the Department of Ophthalmology for eye research.
- i. \$11,156.46 from Searle Diagnostic, Inc., Columbus, Ohio-- \$8,656.46 for gastrointestinal cancer research and \$2,500.00 for pharmacology research.
- j. \$10,000.00 from Grange Mutual Casualty Company, Columbus, Ohio-- \$5,000.00 for scholarships in the College of Administrative Science and \$5,000.00 for The Griffith Foundation Endowment Fund for use in accomplishing the general activities of the Foundation.
- k. \$10,000.00 from Shell Companies Foundation, Houston, Texas-- \$5,000.00 for its fund for Chemical Engineering and \$5,000.00 for Metallurgical Engineering.
- l. \$9,291.25 from The Brandt Foundation, Short Hills, New Jersey, for an endowed scholarship fund for undergraduate students in the College of Humanities.
- m. \$5,200.00 from George Gund Foundation, Cleveland, Ohio, for aid for 4-H work.
- n. \$5,000.00 from Amoco Foundation, Inc., Chicago, Illinois-- \$3,000.00 for support of the Distinguished Teaching Awards program and \$2,000.00 for the University Emergency Fund.
- o. \$5,000.00 from George F. Lonz Foundation, Middle Bass, Ohio, for support of the Department of Horticulture programs in Enology and Viticulture.
- p. \$5,000.00 from Harry C. Moores Foundation, Columbus, Ohio, for its scholarship fund in Dairy Technology.



III. REPORT OF RESEARCH CONTRACTS, GRANTS, GIFTS, AND AGREEMENTS

(continued)

D. The Ohio State University Development Fund (continued)

2. Establishment of Named Funds

- a. \$50,000.00 from the Estate of Edith R. Harris for the establishment of the Edith R. Harris Memorial Scholarship Fund.

Edith R. Harris Memorial Scholarship Fund

The Edith R. Harris Memorial Scholarship Fund was established December 7, 1973, by the Board of Trustees of The Ohio State University with a bequest from Edith R. Harris, B.A. '16, Lima, Ohio, to The Ohio State University Development Fund.

All gifts are to be invested in the University's Permanent Endowment Fund, under the rules and regulations adopted by the Board of Trustees of The Ohio State University, with the right to invest and reinvest as occasion dictates.

The annual income is to be used to provide scholarships for students attending the Lima Regional Campus who have demonstrated academic ability and need for financial assistance. The selection of the recipients is to be made upon the recommendation of the Director of the Lima Campus and the University Scholarship Committee.

Should the need for these scholarships cease to exist or so diminish as to provide unused income, then the income may be used for any purpose whatsoever as determined by the Board of Trustees, with preference being given to recommendations from the Director of the Lima Regional Campus.

- b. \$5,000.00 from Ithamar D. Weed and Sally Lemert Weed for the establishment of The Weed-Lemert Fund.

The Weed-Lemert Fund

The Weed-Lemert Fund was established December 7, 1973, by the Board of Trustees of The Ohio State University with gifts to The Ohio State University Development Fund from Ithamar D. Weed, J.D. '39, and Sally Lemert Weed, B.A. '40, J.D. '42, Cincinnati, Ohio.

All gifts are to be invested in the University's Permanent Endowment Fund, under the rules and regulations adopted by the Board of Trustees of The Ohio State University, with the right to invest and reinvest as occasion dictates.

III. REPORT OF RESEARCH CONTRACTS, GRANTS, GIFTS, AND AGREEMENTS

(continued)

D. The Ohio State University Development Fund (continued)

2. Establishment of Named Funds (continued)

b. The Weed-Lemert Fund (continued)

The annual income is to be used at the discretion of the Dean of the College of Law in support of programs for which established funds are not available.

Should the need for this fund cease to exist or so diminish as to provide unused income, then the income may be used for any purpose whatsoever as determined by the Board of Trustees, with preference being given to recommendations from the appropriate administrative official of the University who is then directly responsible for law education.

c. \$1,900.00 from Marjorie Best Garmhausen for the establishment of The Erwin J. Garmhausen Memorial Fund.

The Erwin J. Garmhausen Memorial Fund

The Erwin J. Garmhausen Memorial Fund was established December 7, 1973, by the Board of Trustees of The Ohio State University with gifts to The Ohio State University Development Fund from Marjorie Best Garmhausen, B.S. '36, Sidney, Ohio, widow of Erwin J. Garmhausen, LL.B. '37, family and friends, in memory of Erwin J. Garmhausen.

All gifts are to be invested in the University's Permanent Endowment Fund, under the rules and regulations adopted by the Board of Trustees of The Ohio State University, with the right to invest and reinvest as occasion dictates.

The income is to be used for scholarships for students enrolled in The Ohio State University College of Law, these to be designated as the Erwin J. Garmhausen Scholarships. Preference is to be given to Shelby County, Ohio, students.

Should the need for this fund cease to exist or so diminish as to provide unused income, then the income may be used for any purpose whatsoever as determined by the Board of Trustees, with preference being given to recommendations from the appropriate administrative official of the University who is then directly responsible for law education.

III. REPORT OF RESEARCH CONTRACTS, GRANTS, GIFTS, AND AGREEMENTS  
(continued)

D. The Ohio State University Development Fund (continued)

2. Establishment of Named Funds (continued)

- d. \$1,506.25 from the Thomas family in memory of John Ross Thomas for the establishment of The John Ross Thomas Fund.

The John Ross Thomas Fund

The John Ross Thomas Fund was established December 7, 1973, by the Board of Trustees of The Ohio State University with a gift to The Ohio State University Development Fund from the Thomas family in memory of John Ross Thomas, (LL. B. '31), late of Columbus, Ohio.

All gifts are to be invested in the University's Permanent Endowment Fund, under the rules and regulations adopted by the Board of Trustees of The Ohio State University, with the right to invest and reinvest as occasion dictates.

The income is to be used by the College of Law for any purpose in the discretion of the Dean of said College. Suggested uses include student financial aid, scholarships, lectureships, support of the Ohio State Law Journal, Student Bar Association, Legal Aid Clinic, or the Law Library of the College of Law. However, the use of the income is in no way restricted by the enumeration of these suggested uses.

In the event that the College of Law as it now exists should be altered in any reorganization of University colleges, schools and departments, the Board of Trustees or successor governing body of the University shall direct use of the income for educational and related purposes in the field of law.

- e. \$1,000.00 from Maxwell M. Scarff for the establishment of The Maxwell M. Scarff Fund.

The Maxwell M. Scarff Fund

The Maxwell M. Scarff Fund was established December 7, 1973, by the Board of Trustees of The Ohio State University with gifts to The Ohio State University Development Fund from Maxwell M. Scarff, B.S. '14.

All gifts are to be invested in the University's Permanent Endowment Fund, under the rules and regulations adopted by the Board of Trustees of The Ohio State University, with the right to invest and reinvest as occasion dictates.

III. REPORT OF RESEARCH CONTRACTS, GRANTS, GIFTS, AND AGREEMENTS  
(continued)

D. The Ohio State University Development Fund (continued)

2. Establishment of Named Funds (continued)

e. The Maxwell M. Scarff Fund (continued)

The annual income is to be used at the discretion of the Dean of the College of Agriculture and Home Economics in support of educational and research programs for which established funds are not available.

Should the need for this fund cease to exist or so diminish as to provide unused income, then the income may be used for any purpose whatsoever as determined by the Board of Trustees, with preference being given to recommendations from the appropriate administrative official of the University who is then directly responsible for agricultural education.

- f. \$998.75 from Edwin W. Jones for the establishment of The Harriette C. Jones Summers and Mary E. Jones Mason Memorial Fund.

The Harriette C. Jones Summers and Mary E.  
Jones Mason Memorial Fund

The Harriette C. Jones Summers and Mary E. Jones Mason Memorial Fund was established December 7, 1973, by the Board of Trustees of The Ohio State University with gifts to The Ohio State University Development Fund from Edwin W. Jones, B.A. '31, Ravenna, Ohio, in memory of his two sisters, Harriette C. Jones Summers, B.A. '29, M.A. '30, and Mary E. Jones Mason, B.A. '37, B.S. Ed. '38.

All gifts are to be invested in the University's Permanent Endowment Fund, under the rules and regulations adopted by the Board of Trustees of The Ohio State University, with the right to invest and reinvest as occasion dictates.

The annual income is to be used for the aid and assistance of deserving students enrolled in the College of Law. The selection of the recipient(s) is to be made by the University Scholarship Committee upon the recommendation of the Dean of the College of Law.

Should the need for this fund cease to exist or so diminish as to provide unused income, then the income may be used for any purpose whatsoever as determined by the Board of Trustees, with preference being given to recommendations from the appropriate administrative official of the University who is then directly responsible for law education.

IV. BUSINESS AND ADMINISTRATION

A. Architects or Engineers

1. Lincoln Tower Remodeling for the College  
of Social and Behavioral Sciences

President Enarson recommended that the architectural firm of Trott & Bean Associates, Columbus, Ohio, be employed contingent upon subsequent approval of the Program of Requirements by the Board of Regents to provide complete architectural services for this project including preliminary plans, basic drawings, working drawings, specifications, estimate of cost, necessary bidding documents, and supervision of construction.

The fee for this service will be negotiated between the architectural firm and the Ohio Department of Public Works. The total estimated project cost is \$1,500,000.

Funds for this service have been provided from the Utilities and Renovations Appropriation (H. B. 985, Item 315-074).

2. Main Library Addition

President Enarson recommended that the architectural firm of Lorenz, Williams, Lively & Likens, Dayton, Ohio, be employed to provide complete architectural services for this project including preliminary plans, basic drawings, working drawings, specifications, estimate of cost, necessary bidding documents, and supervision of construction.

The fee for this service will be negotiated between the architectural firm and the Ohio Department of Public Works. The total estimated project cost is \$4,000,000.

Funds for this service have been provided from H. B. 985, Item 315-079 (Main Library Addition).

3. Ohio Stadium--Additional Rest Room Facilities

Upon unanimous action by the Athletic Council and the recommendation of the Vice President for Student Services, President Enarson recommended that the engineering firm of Robert S. Curl and Associates, Columbus, Ohio, be employed to provide complete engineering services for the project including preliminary plans, basic drawings, working drawings, specifications, estimate of cost, necessary bidding documents, and supervision of construction.

The fee for this service will be negotiated between the engineering firm and the Ohio Department of Public Works. The total estimated project cost is \$260,000.

December 7, 1973 meeting, Board of Trustees

IV. BUSINESS AND ADMINISTRATION (continued)

A. Architects or Engineers (continued)

3. Ohio Stadium--Additional Rest Room Facilities (continued)

Funds for this service have been provided from Budget Account 801288 (Athletic Revenue Funds).

4. Ohio Stadium--All Weather Track

Upon unanimous action by the Athletic Council and the recommendation of the Vice President for Student Services, President Enarson recommended that the engineering firm of Jones & Stuckey, Ltd., Columbus, Ohio, be employed to provide complete engineering services for this project including preliminary plans, basic drawings, working drawings, specifications, estimate of cost, necessary bidding documents, and resident supervision of construction.

The fee for this service will be negotiated between the engineering firm and the Ohio Department of Public Works. The total estimated project cost is \$350,000.

Funds for this service have been provided from Budget Account 801287 (Athletic Revenue Funds).

Upon motion of Mr. Gushman, seconded by Mr. Shocknessy, the above recommendations were approved by unanimous roll call vote.

B. Plans and Specifications

At the request of the Vice President for Business and Administration, President Enarson recommended that the plans and specifications, bills of materials, and estimates of cost for the following projects be approved by the Board of Trustees:

1. Brown Hall, Main Entrance South Side--  
Removal and Replacement of Steps

This project will remove and replace badly deteriorated steps which will restore them to a first-class condition. This area, as it now exists, is a safety hazard. This work will be coordinated with long-term plans for Brown Hall.

Funds are budgeted in Budget Account 125064 (Contract Repair).

2. Lazenby Hall, Optometry Building (Part I), Physical  
Education Building, Interior Painting, 1974

This project involves the repair of plaster walls, repainting of walls, ceiling and trim, and vinyl wall covering in designated areas.

Funds are budgeted in Budget Account 125064 (Contract Repair).

IV. BUSINESS AND ADMINISTRATION (continued)

B. Plans and Specifications (continued)

3. Lord Hall, North Wing--Repair of Masonry Parapet Walls

This project will accomplish the removal and building of the north, west and east parapet walls down to the second floor window head of the building. Deterioration has caused the joints to open and the walls have extended outward from their original foundation.

Funds are budgeted in Budget Account 125064 (Contract Repair).

4. Welding Engineering Building--Exterior Masonry Repairs

This project involves repairs which are necessary to the joints in the masonry as a result of the mortar losing bond to the brick.

Funds are budgeted in Budget Account 125064 (Contract Repair).

5. Electric Trunk Lines--Utility Substation

This project involves the installation of 13.8 KV equipment as required to accept electric service from the electric utility and make connections to the existing campus distribution. This is a part of implementing the long-term contract between The Ohio State University and the Columbus and Southern Ohio Electric Company, signed October 1, 1972.

Funds are budgeted in H. B. 985, Item 315-074 (Utilities and Renovations).

6. Tennis Courts--New Locations

This project will provide eight new tennis courts. The location for six courts will be northeast of the Biggs Athletic Facility and two courts will be located east of Raney Commons.

Funds are budgeted in Budget Account 801296 (Tennis Courts - New Locations - Athletic Revenue Funds).

7. Fawcett Center for Tomorrow--Roadway Improvements

This project will improve the traffic pattern of the existing intersection at Argyll Street which is commonly used by The Ohio State University and Chemical Abstracts Service. The improvement will reduce the hazards currently existing in this intersection.

Funds are budgeted in Budget Account 125064 (Contract Repair), and Chemical Abstracts is sharing the cost of the improvements.

IV. BUSINESS AND ADMINISTRATION (continued)

B. Plans and Specifications (continued)

8. Arps Hall, College of Education--Library Improvements

This project will improve the traffic flow in the collection and reading areas and increase seating capacity in the library area.

Funds are budgeted in H. B. 985, Item 315-074 (Utilities and Renovations).

9. Law Building, Library--Improvements

This project will expand the library to include Room 019 and provide for a rare book storage area, two faculty offices and a small storage space.

Funds are budgeted in H. B. 985, Item 315-074 (Utilities and Renovations).

Upon motion of Mr. Shocknessy, seconded by Mr. Devenow, the above recommendation was approved by unanimous roll call vote, and the Secretary was authorized and directed to sign the plans and specifications for the above projects for and on behalf of the Board of Trustees. The Vice President for Business and Administration was directed to proceed with a request for bids in the normal University manner, and if satisfactory bids are received, to proceed with the award of contracts. All action regarding this matter will be reported to the Board of Trustees at a later meeting.

C. Report of Award of Contracts

In accordance with authorization provided by the Board of Trustees, bids were taken on the projects listed below and the contracts were recommended for award. The action reported to the Board was as follows:

1. Mirror Lake--Supplemental Safety Lighting, Amphitheater Area

	<u>Low Bid</u>	<u>Est. of Cost</u>
<u>Electric Contract</u> (4 bids received 10-26-73) Miller-Davis Electric Company (Columbus)	\$ 14,665.00	\$ 16,900.00

Funds for this project have been provided in Budget Account 125064 (Contract Repair).



December 7, 1973 meeting, Board of Trustees

IV. BUSINESS AND ADMINISTRATION (continued)

C. Report of Award of Contracts (continued)

2. University Hospital--Equipment Room Ventilation

	<u>Low Bid</u>	<u>Est. of Cost</u>
<u>Heating and Ventilating Contract</u> (3 bids received 10-25-73)		
Mechanical Specialties (Hilliard, Ohio)	\$ 34,376.00	\$ 42,000.00
Alt. H-1 Louvered screen	+ 7,850.00	+ 9,760.00
Total Contract	\$ 42,226.00	\$ 51,760.00
<u>Electric Contract</u> (5 bids received 11-6-73, Rebid)		
Miller-Davis Electric Company (Columbus)	<u>11,345.00</u>	<u>14,500.00</u>
<u>Total All Contracts</u>	<u>\$ 53,571.00</u>	<u>\$ 66,260.00</u>

Funds for this project have been provided in Budget Account 801282  
(University Hospital - Ventilation).

3. Joseph Sullivant Hall Remodeling

	<u>Low Bid</u>	<u>Est. of Cost</u>
<u>General Contract</u> (5 bids received 11-20-73)		
Payt Construction Company (Columbus)	<u>\$1,029,000.00</u>	<u>\$ 770,000.00</u>
<u>Plumbing Contract</u> (8 bids received 11-20-73)		
Huffman-Wolfe Company (Columbus)	<u>160,656.00</u>	<u>127,000.00</u>
<u>Heating and Air Conditioning Contract</u> (10 bids received 11-20-73)		
Sauer, Inc. (Columbus)		
Base bid	1,027,730.00	1,124,553.00
Alt. H-4 Centrifugal water cooled chiller	- 79,000.00	- 30,000.00
Total Contract	<u>\$ 948,730.00</u>	<u>\$ 994,553.00</u>

December 7, 1973 meeting, Board of Trustees

IV. BUSINESS AND ADMINISTRATION (continued)

C. Report of Award of Contracts (continued)

3. Joseph Sullivant Hall Remodeling (continued)

	<u>Low Bid</u>	<u>Est. of Cost</u>
<u>Electrical Contract</u>		
(5 bids received 11-20-73)		
Mid-City Electric (Columbus)		
Base bid	\$ 438,580.00	\$ 390,000.00
Alt. E-1 Electric work for water cooled chiller	- 4,980.00	N/C
Total Contract	<u>\$ 433,600.00</u>	<u>\$ 390,000.00</u>
<u>Total All Contracts</u>	<u>*\$2,571,986.00</u>	<u>\$2,381,533.00</u>

\*There were at least five bids on each prime contract demonstrating a good competitive situation, and it is believed no better bids would be received by readvertising and rebidding.

Funds for this project have been provided in Budget Account 801095 (Undergraduate Library), H. B. 828, Item 315-061 (Board of Regents).

Upon motion of Mr. Gushman, seconded by Mr. Dunlap, the above award of contracts and expenditure of funds were approved and the action of the Vice President for Business and Administration was ratified by unanimous roll call vote.

D. Other Actions

1. Purchase of Property - Glenn Wendland Property, West Boundary of Barnebey Center, Fairfield County

It was recommended that the President and/or Vice President for Business and Administration be authorized to proceed with the purchase of:

118 acres adjacent to The Ohio State University Barnebey Center, Fairfield County

for the sum of \$45,000 from University Investment Portfolio Funds and in the name of the Board of Trustees.

This purchase of land will permit expansion of the research program by the School of Natural Resources now in effect at Barnebey Center.

Funds are available in Budget Account 801262.

IV. BUSINESS AND ADMINISTRATION (continued)

D. Other Actions (continued)

2. Utility Easement - Marysville, Ohio, Veterinary Clinic Property

The University has received a request for a thirty-foot easement across University land at The Ohio State University's Marysville Veterinary Clinic. The purpose of this easement is to install a twelve-inch sanitary sewer, 285 feet in length, across University property. The University will be compensated for the easement.

It was recommended that the President and/or Vice President for Business and Administration be authorized to request that the Director of Public Works, pursuant to his statutory duties, act on behalf of the University in developing the necessary legal instruments to provide for the lease.

Upon motion of Mr. Gushman, seconded by Dr. Sirak, the above recommendations were approved by unanimous roll call vote.

E. Report of Controlling Board Actions Pertaining to The Ohio State University

- 10 Approves the release of \$13,000 from H. B. 985, Item 315-074 (Utilities and Renovations) to enter into a contract with John W. Spencer and Associates, Inc., for the planning and preparation of complete bidding documents and related miscellaneous costs for the project known as "Hayes Hall, Fire Safety Improvements - Vivian Hall Remodeling."
- 11 Approves the release of \$45,000 from H. B. 985, Item 315-074 (Utilities and Renovations) to enter into a contract with W. E. Monks and Company, Engineers, to provide engineering design and drafting services for the project known as "Hagerty Hall Air Conditioning."
- 12 Approves the release of \$30,000 from H. B. 985, Item 315-074 (Utilities and Renovations) to enter into a contract with Heapy and Associates, Dayton, Ohio, to provide complete engineering services for the project known as "Derby Hall Alterations."

\*

\*

\*

V. REPORTS

A. Proposal - Clinical Medical Sciences Education Facility

Mr. Gushman made the following statement:

On behalf of the Educational Affairs Committee, I wish to report to this Board on a matter which has been referred to this Committee for consideration by President Enarson--the proposed expansion of the University Hospital (the Clinical Medical Sciences Education Facility). By way of review, in February, 1970, this Board endorsed a \$38 million expansion program

V. REPORTS (continued)

A. Proposal - Clinical Medical Sciences Education Facility (continued)

Mr. Gushman's statement (continued)

of the existing University Hospital facilities as the final phase in the expansion of our medical facilities to support an expanded medical education program. The Board's endorsement of this proposed facility expansion was a necessary condition for the submission of a Federal matching request. The request was for \$24 million, the balance to be provided from the remaining \$10 million from a \$14 million State capital improvements appropriation made by the 108th General Assembly, and \$4 million from bonds issued against future hospital revenues. After several submissions and a substantial amount of encouragement by Federal representatives, particularly in the earlier stages of this process, it is now apparent that matching Federal funds are not presently available for this purpose. Because of this situation a reexamination of the scope and funding of the project is now essential.

Accordingly the administration of medical affairs revised the project downward by \$6 million and proposed that the loss of Federal funds be made up by an additional \$18 million in revenue bonds. Thus the proposed funding pattern of \$32 million would include a total of \$22 million in revenue bonds financed by an increase in patient charges and the \$10 million still available through the original capital improvements funds which were again reappropriated by the 110th General Assembly.

This proposal has now been carefully reviewed by the Educational Affairs Committee and it is the consensus of the Committee that immediate steps should be taken to develop the necessary plans for a \$10 million expansion funded by the State capital improvements which would incorporate the highest priority needs of the initially proposed facility. It was further recommended that such a modification should be achieved in such a way to accommodate the total proposed project if and when Federal and/or State funds become available for this purpose. The Committee took this position because of the urgently needed support facilities of the existing facility, coupled with the belief that it would be unwise to commit this Board to further indebtedness in the light of the Board's current obligations, particularly with the many uncertainties that appear to exist within the health care delivery area as evidenced by the Federal Government's withdrawal from the capital improvements grants program.

This position was transmitted to President Enarson and he in turn has been working directly with the administration in medical affairs to implement this decision. A new program of requirements has been developed now accommodating this recommendation and at an early date a contract should be negotiated for the appointment of the project architects.

V. REPORTS (continued)

A. Proposal - Clinical Medical Sciences Education Facility (continued)

Mr. Gushman, on behalf of the Educational Affairs Committee, moved the adoption of the following resolution:

The architectural firms of Page Southerland Page, in association with Dan A. Carmichael, be continued as architects of the revised Clinical Medical Sciences Education Facility, that the fee for this service be negotiated with the architectural firms by the Ohio Department of Public Works, and finally that the earlier Board action authorizing a \$38 million support level be modified downward to limit a total project cost to \$10 million for present planning purposes.

Funds for this service have been provided from H. B. 985, Item 315-077 (Clinical Medical Sciences Education Facility).

Upon motion of Mr. Gushman, seconded by Mrs. James, the Board of Trustees adopted the foregoing resolution by unanimous roll call vote.

Mr. Gushman made the following additional statement:

In making this motion I would like to make a few additional comments--This Committee arrived at this conclusion most reluctantly. Dr. Meiling, Vice President for Medical Affairs, believes sincerely that we should proceed with the total project now. And Doctor we are aware of the superb job you have done in developing one of the finest medical education facilities in the country. We have no quarrel with the plan; your presentation, I thought was most thorough and complete. We simply prefer a different timetable and hopefully less patient cost in the financing of this facility.

At Mr. Shocknessy's suggestion, the motion was modified to clarify the intent of this action by the addition of "for present planning purposes" to the end of the resolution as stated.

Mr. Devenow raised a question as to the need for the additional support services facility.

Dr. Meiling indicated that the need for these facilities is extremely critical, since the present hospital core facilities were built 25 years ago in support of 600 beds. Since that time we have added 400 beds and four buildings without any increase in the core facilities. Further he stated, that the proposed \$10 million project will provide our existing facilities with but minimal health standards.

V. REPORTS (continued)

B. Report on Committee Studying Development Fund Organization

Mr. Gushman was requested to report on the activities of the special committee to which he was appointed concerned with the administrative relationship of the Development Fund.

Mr. Gushman reported as follows:

This Committee has had many meetings and interviewed a lot of people, and the function of the Committee is to study the organizational relationship between the Development Fund, the University administration, and the Alumni Association. The Chairman of this Committee is Mr. Jacob E. Davis. (Incidentally, I think it might be appropriate, with your consent, to point out that Dan Heinlen, the new Director of Alumni Affairs, is here in the room, and I know the rest of you join with me in offering Dan congratulations from the Board of Trustees in this assignment, and we wish you well. Mr. Hilliker noted that he had a note to congratulate Dan Heinlen on his new position on behalf of the Board.) Mr. Wesley Leas, who is Chairman of the Alumni Advisory Board and a member of this Committee, has undertaken an assignment to visit a number of Big Ten and other major universities on a fact-finding assignment to learn how the private fund and alumni fund raising organizations work relative to the university administrations. This will take probably several months. About April 1 the Committee will reconvene and I will be coming back to the Board to get your advice and direction and also to bring you up-to-date on the findings of the Committee.

C. Report from President Enarson

President Enarson called the Board's attention to a "Fact Sheet" enumerating steps which have been taken by the administration relating to the conservation of energy. He indicated that fairly effective cooperation was being achieved.

President Enarson announced a plan for opening University resources to area residents over 65. This plan would allow them to "sit in" on some University classes free. The details of the plan remain to be worked out.

The President reported that the campus United Appeal raised more dollars this year than before although not by any significant amount, except in the student sector.

December 7, 1973 meeting, Board of Trustees

V. REPORTS (continued)

D. Report on President's Speech at National Football Hall of Fame

Mr. Shocknessy congratulated the President on the speech which he made in New York on December 4 at the National Football Hall of Fame ceremonies at which time some of the University's distinguished alumni were honored.

E. Report on the University's Investment Portfolio

The report dated November 30, 1973, as submitted to the Finance Committee of the Board of Trustees by Mr. Ernest W. Leggett pertaining to the University's Investment Portfolio, was received and ordered to be filed with the official records of the Board of Trustees.

\*

\*

\*

Thereupon the Board adjourned to meet Friday, February 1, 1974, at The Ohio State University Fawcett Center for Tomorrow, Columbus, Ohio, at 1:30 p.m.

Attest:

\_\_\_\_\_  
Edward Q. Moulton  
Secretary

\_\_\_\_\_  
Don M. Hilliker  
Chairman

Page 288 Blank



APPENDIX II

Degrees Conferred at  
THE OHIO STATE UNIVERSITY  
COMMENCEMENT CONVOCATION

December 14, 1973

Page 290 Blank

## Graduate School

Dean: Arliss L. Roaden

### Doctor of Philosophy

One hundred and seventy-two candidates

Carmeta Clark Abbott, Columbus

B.A., M.A.

*Dissertation*: Currents of Stoic Moral Theory in Representative Works of Corneille, Pascal, Moliere, and La Bruyere

*Field of Specialization*: Romance Languages and Literatures

Thomas Joseph Acquario, Albany, N.Y.

B.A. (Siena College); M.A.

*Dissertation*: Agrippa D'Aubigne's *Histoire Universelle*: Objectivity and Partisanship

*Field of Specialization*: Romance Languages and Literatures

Ronald Jerry Adams, Columbus

B.A. (University of Texas)

*Dissertation*: Building a Foundation for Evaluation of Instruction in Higher Education and Continuing Education

*Field of Specialization*: Education

William Samuel Arnett, Morgantown, W. Va.

B.A. (West Virginia University); M.A.

*Dissertation*: The Predynastic Origin of Egyptian Hieroglyphs: Evidence For the Development of Rudimentary Forms of Hieroglyphs in Upper Egypt in the Fourth Millennium B.C.

*Field of Specialization*: History

Thomas George Attig, Pontiac, Ill.

B.A. (De Pauw University)

*Dissertation*: The Stereo Chemistry at the Iron Atom During Reactions Involving Iron-Carbon Sigma Bonds

*Field of Specialization*: Chemistry

JAlan Louis Auferderheide, Delaware

B.S.Ed., M.Ed. (Bowling Green State University)

*Dissertation*: The Place of Educational Interest Groups in State Educational Policy-Making Systems

*Field of Specialization*: Education

Bette Lou Bakelaar, Springfield

A.B. (Wilson College); M.A. (Middlebury College)

*Dissertation*: From Verse to Prose: A Study of the Fifteenth-Century Versions of Chrestien's *Erec and Cligés*

*Field of Specialization*: Romance Languages and Literatures

David C. Baker, Jonesville, Va.

B.S. (University of Tennessee)

*Dissertation*: Part One: Synthesis and Reactions of Carbonyl Sugars

Part Two: Synthesis and Modifications of Nucleosides

*Field of Specialization*: Chemistry

Patricia McKay Baker, Bethesda, Md.

B.A. (University of Maryland); M.A.

*Dissertation*: Relationships Among Weight, Sex, Deprivation, Time of Eating, Eating Patterns, Taste, and Eating Behavior

*Field of Specialization*: Psychology

Sandy Kay Beveridge, Rock Springs, Wyo.

B.S. (Brigham Young University); M.A.

*Dissertation*: The Relationships Among Motor Creativity, Movement Satisfaction, and the Utilization of Certain Movement Factors of Second Grade Children

*Field of Specialization*: Physical Education

Jimmie Ray Biddle, Harrison

B.A. (Bob Jones University); M.Ed. (University of Cincinnati)

*Dissertation*: Predicting Teachers' Innovativeness from their Conceptions of Pupils

*Field of Specialization*: Education

Sharon Spaulding Biddle, Harrison

B.A. (Bob Jones University); M.A. (University of Cincinnati)

*Dissertation*: Conservative Communication: A Critical Analysis of the Rhetorical Behaviors of Edmund Burke, Conservative Exemplar

*Field of Specialization*: Speech Communication

Richard James Bodonyi, Cleveland

B.S.; M.S. (Case Western Reserve University)

*Dissertation*: The Laminar Boundary Layer on a Finite Rotating Disc

*Field of Specialization*: Aeronautical and Astronautical Engineering

Barry Lynn Bozeman, West Palm Beach, Fla.

B.A., M.A. (Florida Atlantic University)

*Dissertation*: Appropriations in the Policy Arena: An Investigation of Funding Patterns for Selected Federal Agencies

*Field of Specialization*: Political Science

Ernest Thomas Brooks, Murray, Ky.

A.B. (Lane College); M.A. (Murray State University)

*Dissertation*: The Relationship Between Non-Intellectual Variables and College Performance of Black College Freshmen

*Field of Specialization*: Education

Harold Haywood Brown, Columbus

B.S. (Ohio University); M.A.

*Dissertation*: Selected Factors Relevant to the Selection of Post-Secondary Technically Oriented Programs by Black High School Students

*Field of Specialization*: Education

Walker Thornton Brown, New York, N. Y.

A.B. (Gettysburg College); M.S. (Columbia University, New York School of Social Work)

*Dissertation*: Racial Devaluation Among Transracially Adopted Black Children.

*Field of Specialization*: Social Work

Ronald Carl Burton, Spencer

B.S.Ed.

*Dissertation*: Solvent Extraction of Heavy Metals Using a Fluorinated Beta Di Ketone and its Thio Derivative

*Field of Specialization*: Chemistry

Albert Lincoln Caffo, Port Allegany, Pa.

B.S. (Pennsylvania State University); M.S.

*Dissertation*: Kinetics and Mechanisms of the Formation and Solvent Extraction of Some Metal-Fluorinated B-Diketone Chelates

*Field of Specialization*: Chemistry

Paul Gerald Carlson, Greenwood, Ind.  
B.A. (Cedarville College); M.A.  
*Dissertation*: The Relationship of Three Organizational Variables to the Utilization of Evaluation  
*Field of Specialization*: Education

Ernest Lee Carlton, Columbus  
B.S. Bus. Adm.; M.B.A. (Michigan State University)  
*Dissertation*: The Motivational, Perceptual, and Attitudinal Variables and the Job Performance of Insurance Agents, Trainers, Managers and Underwriters  
*Field of Specialization*: Business Administration

Charles Nelson Carpenter, Franklin  
B.Ch.E., M.S.  
*Dissertation*: Drag Reduction Visual Study  
*Field of Specialization*: Chemical Engineering

Paul Sui-Yuen Chan, Hong Kong  
B.S. (University of Wisconsin); M.S.  
*Dissertation*: An Investigation of Symmetric Radix for Computer Arithmetic  
*Field of Specialization*: Computer and Information Science

George Richard Chesley, Halifax, N.S., Canada  
B. Com. (Mount Allison University, Canada); M.A.  
*Dissertation*: The Theory of Elicitation of Subjective Probabilities: An Accounting Study  
*Field of Specialization*: Accounting

Liu-Gei Chou, Tamsui, Taiwan  
B.Sc. (National Taiwan University); M.S.  
*Dissertation*: Factors Affecting *Pythium* Root Rot of Soybean and Germination of Oos pores of *Pythium ultimum*  
*Field of Specialization*: Plant Pathology

Woo Yong Chun, Seoul, Korea  
B.A., M.A.  
*Dissertation*: Thought and Structure in Melville's *Moby-Dick* and his Later Works  
*Field of Specialization*: English

Charles Frederick Clark, Jr., Lancaster  
B.A. (Dartmouth College); M.S.  
*Dissertation*: The Dielectric Constant of the Solid Hydrogens  
*Field of Specialization*: Physics

David Wylie Cliness, Worthington  
A.B.Ed., M.A. (University of Kentucky)  
*Dissertation*: The Development and Application of a Curriculum Based Information System for Career Guidance  
*Field of Specialization*: Education

Deborah Dye Coleman, Columbus  
B.S.Ed., M.A.  
*Dissertation*: Family Building for Adolescents: A Model of Developmental Learning Tasks  
*Field of Specialization*: Education

Helen Loftin Cornell, Nashville, Tenn.  
B.M. (George Peabody College for Teachers); M.A. (University of Louisville)  
*Dissertation*: An Evaluation of Vocal Music by American Women Composers as to its Appropriateness in the Elementary School  
*Field of Specialization*: Music

John Kenneth Corwin, Miami, Fla.  
B.Ed. (University of Miami); M.Ed. (Florida Atlantic University)  
*Dissertation*: Electrical Hazards Found in Selected High School Agricultural, Home Economics, and Trade and Industrial Shops and Laboratories in Ohio  
*Field of Specialization*: Education

Dominic John Costanzo, New Concord  
A.B. (George Washington University); M.A. (Temple University)  
*Dissertation*: An Experimental Analysis of the Reproductive Behavior of Dominant and Subordinate Rats  
*Field of Specialization*: Psychology

Alice Kaaren Courtney, Columbus  
B.S. in Edu. (Kansas State Teachers' College); M.A.  
*Dissertation*: A Reappraisal of Literary Form in *Les. XV. Joies de mariage*  
*Field of Specialization*: Romance Languages and Literatures

Herbert Michael Cox, Columbus  
B.A., M.S.  
*Dissertation*: The Measurement of Crystal-Solution-Vapor Contact Angles and the Growth Rates of Corresponding Crystal Faces  
*Field of Specialization*: Geology and Mineralogy

Edward Neil Dalder, Pittsburgh, Pa.  
B.A. in Met. Engr., M.S. in Met. Engr. (Polytechnic Institute of Brooklyn)  
*Dissertation*: Flow and Fracture of Type 304 Austenitic Stainless Steel Bar and Weldments  
*Field of Specialization*: Metallurgical Engineering

Gary Joe Daniels, Parsons, Kan.  
B.A., M.S. (Kansas State College of Pittsburg)  
*Dissertation*: A Methodological Study of Concept Formation in Mentally Retarded Adults.  
*Field of Specialization*: Psychology

Paul Alexander Daum, Akron  
B.F.A. (Wesleyan College); M.A. (University of Akron)  
*Dissertation*: The Royal Circus 1782-1809: An Analysis of Equestrian Entertainments  
*Field of Specialization*: Theatre

Mark Edward Davis, Dayton  
B.S.E.E., M.S.E.E. (Syracuse University); M.S.  
*Dissertation*: Impurity Analysis of Epitaxial Gallium Arsenide with an Accurate Hall Effect Apparatus  
*Field of Specialization*: Physics

Thelma Lee Deamer, Baton Rouge, La.  
B.S. (Southern University); M.S. (Atlanta University)  
*Dissertation*: The Perceptions of Individuals Involved in a Science Teacher Education Field Experience Program  
*Field of Specialization*: Education

Berndt Boris Dettloff, Rossford  
B.C.E., M.S.  
*Dissertation*: A Numerical Solution for the Elastica Problem of the Slender Rod Initially Curved and Twisted  
*Field of Specialization*: Civil Engineering

- Gulzar Singh Dhillon, Punjab, India  
B.Sc., M.Sc. (Panjab University)  
*Dissertation*: Effect of Seed Size on the Growth, Yield, and Composition of Soybeans (*Glycine Max. (L.) Merr.*)  
*Field of Specialization*: Agronomy
- David Arthur Dittman, Cincinnati  
B.A. (University of Notre Dame); M.A.  
*Quim. Ing.*: A Limited Cost-Benefit Analysis of the Diploma Nursing School Dilemma: A Case Study on the Continue/Discontinue Decision  
*Field of Specialization*: Accounting
- James Jefferson Doughty, Columbus  
B.S. (Capital University); M.A.  
*Dissertation*: A Historical Analysis of Black Education—Focusing on the Contemporary Independent Black School Movement  
*Field of Specialization*: Education
- Matthias C. Drake, Wilmington  
B.S.Ed., M.A.  
*Dissertation*: Quaker Consensus: Helping Learners Understand and Participate in the Quaker Way of Reaching Group Decisions  
*Field of Specialization*: Education
- Aidron Duckworth, Winchester, Mass.  
Diploma (Royal College of Art, England)  
*Dissertation*: Dialectic as Necessary to Performance, Understanding, and Teaching in the Visual Arts with Particular Reference to Studio Practices at the College and University Level in an Egalitarian Society  
*Field of Specialization*: Art Education
- Richard Francis Dutro, Lakewood  
B.S. (University of Dayton); M.Ed. (Miami University)  
*Dissertation*: The Effect of In-Service Education of Teachers on Student Achievement Scores While Using Three Approaches of Teaching Reading  
*Field of Specialization*: Education
- Charles Evans Ebeling, Pittsburgh, Pa.  
B.S. (University of Pittsburgh); M.S. (Air Force Institute of Technology)  
*Dissertation*: On the Construction of Optimal Regression Designs  
*Field of Specialization*: Industrial Engineering
- Thomas Raymond Eggers, Forest Park, Ill.  
B.S. (University of Iowa)  
*Dissertation*: Kinetics of Poliovirus Production in Synchronized HEP-2 Cells  
*Field of Specialization*: Microbiology
- Kathleen Ann Emmett, Columbus  
B.A.  
*Dissertation*: Talking About Seeing: An Examination of Some Aspects of the Ayer-Austin Debate on the Sense-Datum Theory  
*Field of Specialization*: Philosophy
- Simeo Okole Esipiku, Maseno, Kenya  
B.A. (Eastern Nazarene College); M.S.W. (State University of New York at Buffalo)  
*Dissertation*: Problems of Coordination in the Community Planning Process: An Analysis of the Akron Model Cities Organization  
*Field of Specialization*: Social Work
- Patrick McCoy Ewing, Wooster  
B.A. (DePauw University)  
*Dissertation*: A Study of the Effects of Individualizing the Pacing and the Instruction of Elementary Algebra at the College Level  
*Field of Specialization*: Education
- Raul Ernesto Fajardo, Lima, Peru  
Quim. Ing. (National University of Engineering, Peru)  
M.S.  
*Dissertation*: A Mathematical Model for Predicting Dynamic Behavior of a Fixed Bed Reactor  
*Field of Specialization*: Chemical Engineering
- Michael Warren Fowler, Ada, Okla.  
B.S. (Oklahoma Christian College)  
*Dissertation*: Uncoupling and Induction of Ion Permeability Changes in Heart Mitochondria by N, N'-BIS (Dichloroacetyl)-1, 12-Diaminododecane  
*Field of Specialization*: Physiological Chemistry
- David Joseph Frantz, Columbus  
B.S. (Albright College); M.S. (University of Iowa)  
*Dissertation*: A Comparison of Two Methods of Instruction (Inquiry versus Verification) With Respect to Instructional Preferences of Secondary School Science Teachers in an Astronomy Inservice Institute.  
*Field of Specialization*: Education
- Irving Fried, Columbus  
B.A. (Brooklyn College); M.A. (Columbia University)  
*Dissertation*: Trends and Issues in Hebrew Day School Education  
*Field of Specialization*: Education
- Douglas Andrew Gamble, Maryville, Tenn.  
B.A. (Maryville College); M.A.  
*Dissertation*: Moral Suasion in the West Garrisonian Abolitionism, 1831-1861  
*Field of Specialization*: History
- Donald Kenneth Gartman, Columbus  
B.A., M.S.  
*Dissertation*: Artificial Aeration and Destratification of Ottoville Quarry  
*Field of Specialization*: Zoology
- Paulette M. Gillig, Buffalo, N.Y.  
B.A. (State University of New York at Buffalo); M.A.  
*Dissertation*: Evaluation Apprehension, and its Effect on Responses to Counterattitudinal Information.  
*Field of Specialization*: Psychology
- Howard Robert Greenstein, Dayton  
A.B. (Cornell University); B.H.L., M.A. (Hebrew Union College)  
*Dissertation*: The Changing Attitudes Toward Zionism in Reform Judaism, 1937-1948  
*Field of Specialization*: History
- John Edward Gump, Waynesburg, Pa.  
B.S. (Waynesburg College); A.M. (West Virginia University)  
*Dissertation*: An Analysis of the Changes in Business Education in the Public Senior High Schools of Ohio Since the Passage of the Vocational Education Act of 1963.  
*Field of Specialization*: Education

Alfred Gunter, Shippensburg, Pa.  
B.S.Ed. (State Teacher's College, California,  
Pennsylvania); A.M. (West Virginia University)  
*Dissertation:* The Effects of Different Sequences of  
Instructional Units and Experiences Within Instructional  
Units on the Achievement and Attitudes of College  
General Biology Students  
*Field of Specialization:* Education

Danford Lee Hagan, Dayton  
B.A. (Ohio Wesleyan University); M.M. (Miami  
University)  
*Dissertation:* A Comparison of Humanistic and Scientific  
Epistemologies in Educational Research and Evaluation  
*Field of Specialization:* Education

Dale Emerson Hall, Marysville  
B.S.Pharm. (Ohio Northern University); Mus.B. (Oberlin  
College); M.A.  
*Dissertation:* The Italian Secular Vocal Works of  
Jacquet Berchem  
*Field of Specialization:* Music

Edwin Hamilton, Tuskegee Institute, Ala.  
B.S., M.Ed. (Tuskegee Institute)  
*Dissertation:* Organization and Administration of  
Non-Credit Adult Continuing Education Programs in  
Two-Year Institutions of Higher Education in Ohio  
*Field of Specialization:* Education

Douglas Brian Hampton, Tallmadge  
B.A. in A. and S. (Kent State University); M.A.  
*Dissertation:* Urbanus Rhegius and the Spread of the  
German Reformation  
*Field of Specialization:* History

David Gene Hattan, Rapid City, S.D.  
B.S. Pharmacy (University of Kansas)  
*Dissertation:* Characterization of Feline Hypothalamic  
Heat-Loss Receptors by Intracerebral Microinjection of  
Sympathomimetic Amines  
*Field of Specialization:* Pharmacy

Raymond Philip Heath, Columbus  
A.B. (Providence College); M.S. (Southern Connecticut  
State College)  
*Dissertation:* A Description of the Chief Student Personnel  
Administrators and an Analysis of the Developmental  
Orientation of the Student Affairs Programs in Selected  
Private Liberal Arts Colleges  
*Field of Specialization:* Education

Angela Dolores Hergenroeder, West Richfield  
B.S., M.A. (Western Reserve University)  
*Dissertation:* The Business Communications Program in  
Ohio Community Colleges and Technical Institutes  
*Field of Specialization:* Education

Richard Charles Hess, Farmington, W. Va.  
B.A. in Edu. (Fairmont State College); M.A. (Temple  
University)  
*Dissertation:* The 1970 Senatorial Campaign in Indiana:  
A Rhetorical Case Study of Political Communication  
*Field of Specialization:* Speech Communication

Margaret Stevens Hoell, Galion  
B.A. (University of Arizona); M.A.T. (College of  
Wooster)  
*Dissertation:* The Ticaret Odasi; Origins, Functions, and  
Activities of the Chamber of Commerce of Istanbul,  
1885-1899  
*Field of Specialization:* History

E. Renée Huettenmueller, Shawnee Mission, Kan.  
A.B. (Marymount College)  
*Dissertation:* A Multi-Sensory Approach to Teaching  
Poetry to Sixth Grade Students  
*Field of Specialization:* Education

George Andrew Huzinec, Erie, Pa.  
B.S. (Pennsylvania State University)  
*Dissertation:* A Conceptualization of the Spatial Model of  
Soviet Economic Development  
*Field of Specialization:* Geography

Yeong Ming Hwang, Columbus  
B.S. (National Taiwan University); M.S. (National  
Chiao Tung University)  
*Dissertation:* The Diffraction at the Edge of a Uniform  
Impedance Surface  
*Field of Specialization:* Electrical Engineering

Martha Combs Jenkins, Bowling Green, Ky.  
B.S. (Western Kentucky State College); M.S.  
(Louisiana State University and Agricultural and  
Mechanical College)  
*Dissertation:* Clothing and Textile Evaluative Criteria:  
Basis for Benefit Segmentation and Reflection of  
Underlying Values  
*Field of Specialization:* Home Economics

Maryalycy Jeremiah, Cedarville  
B.A. (Cedarville College); B.S.Ed. (Central State  
College); M.A.  
*Dissertation:* Ohio School Health Education Study:  
Status of the School Health Instruction Program in Ohio's  
Public Secondary Schools  
*Field of Specialization:* Physical Education  
(Health Education)

Charles Edwin Jobe, Dayton  
B.Aero.E. (University of Detroit); M.S.  
*Dissertation:* The Numerical Solution of the Asymptotic  
Equations of Trailing Edge Flow  
*Field of Specialization:* Aeronautical and Astronautical  
Engineering

Thomas Gerald Johns, Struthers  
B.E. (Youngstown University); M.S.  
*Dissertation:* The Normal Contact of Arbitrarily-Shaped  
Multilayered-Elastic Bodies  
*Field of Specialization:* Engineering Mechanics

Manoranjan Kalia, Himachal, India  
B.Sc., M.Sc. (Panjab Agricultural University)  
*Dissertation:* Effect of Different Chemical Treatments  
and Storage Conditions on the Quality and Shelf Life of  
Apple Slices  
*Field of Specialization:* Horticulture

Ellen B. Karge, Harrisonburg, Va.  
Staatsexamen (University of Hamburg, Germany)  
*Dissertation*: Aspects of Tacitus' Presentation of Tiberius as *Princeps* and *Proconsul*  
*Field of Specialization*: Classics

Harold Marion Keener, Ashland  
B.Agr.E., M.S.  
*Dissertation*: Dynamic Modeling of Energy Utilization of Bovine Animals  
*Field of Specialization*: Agricultural Engineering

Philip Willard Keezer, Siloam Springs, Ark.  
B.A. (Wisconsin State College); M.A. (Michigan State University)  
*Dissertation*: Temporal and Valuational Dimensions of the Image of Man Held By Campus Religious and Parareligious Leaders  
*Field of Specialization*: Speech Communication

Sylvan Heath Keselman, Philadelphia, Pa.  
A.B., M.A. (Temple University)  
*Dissertation*: John Tyler and the Presidency: Old School Republicanism, Partisan Realignment, and Support for His Administration  
*Field of Specialization*: History

Tae Choon Kim, Chester, Pa.  
B.Com. (Seoul National University, Korea); M.A., M.S. (University of Minnesota)  
*Dissertation*: The Investment Performance of College Endowment Funds  
*Field of Specialization*: Business Administration

Donald Wayne Kinzy, Bloomingdale  
B.S.Ed. (Ohio University); M.A. (Ball State University)  
*Dissertation*: The American Council on Industrial Arts Teacher Education: Its Origin, Development, Leaders, and Accomplishments  
*Field of Specialization*: Education

Kenneth J. Kiser, Stillwater, Okla.  
B.A., M.S. (Oklahoma State University)  
*Dissertation*: Explorations in Organizational Change: A Case Study of a Federal Intervention Program  
*Field of Specialization*: Sociology

Richard Gerald Kolczynski, Oak Ridge, Tenn.  
B.S., M.S. (University of Tennessee)  
*Dissertation*: A Psycholinguistic Analysis of Oral Reading Miscues in Selected Passages from Science, Social Studies, Mathematics, and Literature  
*Field of Specialization*: Education

Richard Arthur Kolson, Painesville  
B.S., M.S.  
*Dissertation*: Behavior of the Bullfrog (*Rana catesbeiana*), With Special Emphasis on Vocalization  
*Field of Specialization*: Zoology

Thomas Otto Krause, Grand Rapids, Mich.  
B.Sc. (Massachusetts Institute of Technology)  
*Dissertation*: A Study of Spurious Effects in Non-Local Equations  
*Field of Specialization*: Physics

Thomas Preston Kridler, Steubenville  
B.A., M.A.  
*Dissertation*: Structure, Behavior, and Cohesiveness of Inter-Nation Alliances: Isomorphism with Sociological Small-Group Model  
*Field of Specialization*: Political Science

Patricia Joan Avery Kroes, Columbus  
B.A. (Denison University); M.A.  
*Dissertation*: Comparison of the Relative Intelligibility of Four Spanish Speech-Audiometric Tests  
*Field of Specialization*: Speech Communication

Hung-Ting Ku, Columbus  
B.A. (Tunghai University, Taiwan); M.A. (State College of Iowa)  
*Dissertation*: Urban Mass Politics in the Southern China, 1923-1972: Some Case Studies  
*Field of Specialization*: History

Hu Kuan, Hualien, China  
B.S. (National Taiwan University); M.S.  
*Dissertation*: Dislocation Behavior Near the Interface of a Bimetallic Couple  
*Field of Specialization*: Engineering Mechanics

Earl Charles Lammel, Kent  
A.B. (Heidelberg College); M.A. (University of Rochester)  
*Dissertation*: Paul Osborn: A Professional Biography  
*Field of Specialization*: Theatre

Frank Peter Lane, Columbus  
A.B. (Ohio Northern University); M.A.  
*Dissertation*: Poverty and Poor Relief in the German Church Orders of Johann Bugenhagen 1485-1558  
*Field of Specialization*: History

Wayne Paul Lawson, Parma  
B.A., M.A.  
*Dissertation*: The Dramatic Hunt: A Critical Evaluation of Peter Shaffer's Plays  
*Field of Specialization*: Theatre

Raymond Warren Lawton, III, Huntington Station, N.Y.  
B.A. (State University of New York College at Oswego); M.A.  
*Dissertation*: Action in the National Interest  
*Field of Specialization*: Political Science

Lance T. LeLoup, Latham, N.Y.  
A.B. (Georgetown University); M.A.  
*Dissertation*: Explaining Agency Appropriations Change, Success and Legislative Support: A Comparative Study of Agency Budget Determination  
*Field of Specialization*: Political Science

George Robert Levin, Englewood  
B.S.Ed., M.Ed. (Ohio University)  
*Dissertation*: Social Modeling as a Teacher Education Technique: Its Effects on Teacher Praise and Student Attending Behaviors  
*Field of Specialization*: Education

Robert William Lewis, Columbus  
B.S. in Edu. (Capital University); M.A.  
*Dissertation*: Sport and the Fiction of John Updike and Philip Roth  
*Field of Specialization*: Physical Education

Dale William Lichtenberg, Westlake  
B.S. (Case Institute of Technology); M.S. (Massachusetts Institute of Technology)  
*Dissertation*: Electrophilic Additions to 2-Alkenyl and 2-Alkynyl-Transition Metal Complexes  
*Field of Specialization*: Chemistry

William Eugene Lieb, Sandusky  
B.S. (Saint Joseph's College); M.Bus.Ad. (Indiana University)  
*Dissertation*: Perceived Costs and Perceived Values of Information as Determinants of External Search Activity for a Personal Cash Installment Loan  
*Field of Specialization*: Business Administration

John Richard Long, Toledo  
B.S. (University of Toledo)  
*Dissertation*: The Reactions of Hexaborane (12), Pentaborane (11) and Tetraborane (10) with Selected Lewis Bases  
*Field of Specialization*: Chemistry

Donald Ralph Loose, Grove City  
B.S.  
*Dissertation*: A Psychophysical Test for the Site of Retinal Cone-Rod Interaction  
*Field of Specialization*: Biophysics

Vincent Anthony Mabert, Garfield Heights  
B.S.Bus.Ad., M.B.A.  
*Dissertation*: A Methodology for Work Scheduling and Labor Assignment Within a Single Postal Facility  
*Field of Specialization*: Business Administration

Jonathan Benning Marcantel, Carroll  
B.S., M.S. (Louisiana State University and Agricultural and Mechanical College)  
*Dissertation*: Upper Pennsylvanian and Lower Permian Sedimentation in Northeast Nevada  
*Field of Specialization*: Geology

Colin James Marsh, Morley, Australia  
B.A., M.A. (University of Western Australia)  
*Dissertation*: A Comparative Study of Preservice Teacher Attitudes to Selected Inquiry Teaching Techniques in Social Studies at The Ohio State University (United States of America) and the Secondary Teachers' College (Western Australia)  
*Field of Specialization*: Education

Vincent Marston, Brockton, Mass.  
A.B. (Boston College); M.A.  
*Dissertation*: Aristophanes' Use of Obscenity  
*Field of Specialization*: Classics

Mary Garrett Martin, Lebanon  
B.A. (Marshall College); M.Ed. (Miami University)  
*Dissertation*: Self-Development: An Alternative Approach for Teacher Education  
*Field of Specialization*: Education

John Lenard Mason, Leroy, N.Y.  
B.A. (Washington and Jefferson College)  
*Dissertation*: The Identity Crisis Theme in American Feature Films, 1960-1969  
*Field of Specialization*: Speech Communication

Robert Edgar Maute, Columbus  
B.S. (Lamar State College of Technology); M.S.  
*Dissertation*: A Study of the Reaction  $^{11}\text{B}$  ( $^3\text{He}$ ,  $\gamma_{0,1}$ )  $^{14}\text{N}$  from  $\text{E}_3\text{He} = 1.5$  MeV to 6.1 MeV  
*Field of Specialization*: Physics

Albert Quince McGee, Westerville  
B.S. (Howard University); M.S.  
*Dissertation*: The Heat Capacity of Solid HD  
*Field of Specialization*: Physics

Andrew Martin McGreevy, Berea  
B.A., M.A.  
*Dissertation*: A.P. Shehapov's Scientific Analysis of the Nature of Russian Society  
*Field of Specialization*: History

Robert Samuel McQuate, Ocean City, N.J.  
B.S. in Chem. (Lebanon Valley College)  
*Dissertation*: Formation and Reactions of Salicylaldehyde-Schiff Bases and Zinc Complexes: Equilibrium and Kinetic Study of Vitamin B<sub>6</sub> Model Systems  
*Field of Specialization*: Chemistry

John Richard Meckley, Columbus  
B.S. (Ohio University); M.S.  
*Dissertation*: Photon Echoes in the  $\nu_3$  Band of SF<sub>6</sub> Hexafluoride  
*Field of Specialization*: Physics

Boota Singh Mehta, Madison, Wis.  
B.S. (Uttar Pradesh Agricultural University, India); M.S. (University of Wisconsin)  
*Dissertation*: Processing of Model Compositional Whey Solutions with Pressure Driven Membranes  
*Field of Specialization*: Agricultural Engineering

Edward Menge, Jr., Columbus  
B.A., M.A.  
*Dissertation*: Congress and Agency Appropriations: An Explanation of House Appropriations Committee Actions for Federal Agencies  
*Field of Specialization*: Political Science

Floyd Ernest Merritt, Tullahoma, Tenn.  
B.A. (David Lipscomb College); M.A. (University of Kansas)  
*Dissertation*: William F. Buckley, Jr.: Spokesman for Contemporary American Conservatism — A Classical-Weaverian Rhetorical Analysis  
*Field of Specialization*: Speech Communication

Barton Joel Michelson, Columbus  
B.A., M.A.  
*Dissertation*: Educational Grantsmanship and Project Management: A System Approach  
*Field of Specialization*: Education

William B. Moreland, Costa Mesa, Calif.  
B.A. (University of California); M.A.  
*Dissertation*: The Limits of Policy Discretion: A Non-Incremental, Time Series Analysis of Agency Appropriations  
*Field of Specialization*: Political Science



- Myrna Neuman Mumm, Columbus  
B.S.Ed., M.A.  
*Dissertation*: A Comparison of the Results of "Behavior-Modification" versus "Traditional" Approaches in the Treatment of Misarticulations in a Public School Setting  
*Field of Specialization*: Speech Communication
- Donald James Munton, West Vancouver, B.C., Canada  
B.A., M.A. (University of British Columbia, Canada)  
*Dissertation*: External Influences on Canadian Foreign Policy Behavior: Developing and Testing Three Theoretical Models  
*Field of Specialization*: Political Science
- Jeffrey Alan Myers, Columbus  
B.C.E., M.S.  
*Dissertation*: An Experimental Investigation of the Applicability of the Hydrodynamic Approach for Describing the Macroscopic Behavior of Traffic Flow on a Single Lane of a Multi-Lane, One-Way Roadway  
*Field of Specialization*: Civil Engineering
- Arthur Thomas Neavill, Lincoln, Ill.  
B.S., M.S. (University of Illinois)  
*Dissertation*: Criterion-Referenced Assessment of Ninth- and Tenth-Grade Instruction in Agriculture  
*Field of Specialization*: Agricultural Education
- James Lowell Peterson, Glenville, W. Va.  
B.A. (West Virginia Wesleyan College);  
M.S. (West Virginia University)  
*Dissertation*: An NMR Investigation of Bonding in Heavy Metal Complexes  
*Field of Specialization*: Chemistry
- Roger David Peterson, Carbonvale, Ill.  
B.A. (Northwestern University)  
*Dissertation*: A Group Ring Invariant for Finite Groups and Quadratic Forms over Semi-Local Rings  
*Field of Specialization*: Mathematics
- John Richard Ponting, Burlington, Ont., Canada  
B.A. (University of Western Ontario); M.A.  
*Dissertation*: Rumor Control Centers as Intermittent Organizations: A Study of a Neglected Organizational Type  
*Field of Specialization*: Sociology
- Susan Payne Porterfield, Worthington  
B.S., M.S.  
*Dissertation*: Alterations of Carbohydrate Metabolism in the Maternal-Fetoplacental Unit of the Hypothyroid Rat  
*Field of Specialization*: Physiology
- Charles Randall Powell, Bloomington, Ind.  
B.S., M.B.A. (Indiana University)  
*Dissertation*: Correlates of Career Performance of 1962 MBA Graduates Impacting Upon the Career Decisions of Male Students Contemplating Study Toward the MBA Degree.  
*Field of Specialization*: Business Administration
- Georgette Marie Psarras, Akron  
A.B. (Vassar College); M.A.  
*Dissertation*: Infant Language Development and Its Relationship to Selected Maternal and Infant Variables  
*Field of Specialization*: Psychology
- Albert Edward Pye, Yeadon, Pa.  
B.S., M.S. (Pennsylvania State University)  
*Dissertation*: The Activation and Inhibition of Phenoloxidase in Immunized *Galleria mellonella* (L.) Larvae  
*Field of Specialization*: Entomology
- William Patrick Rahilly, Kettering  
B.S., M.S. (South Dakota State University)  
*Dissertation*: Nuclear Magnetic Relaxation of Si<sup>29</sup> in Lithium Doped Single Crystal Silicon  
*Field of Specialization*: Physics
- Joyce Oliver Rasdall, Smiths Grove, Ky.  
B.S. (Western Kentucky State College);  
M.S.H.E. (University of North Carolina)  
*Dissertation*: Product Information as a Resource: A Study of Factors Affecting its Usefulness to Consumers  
*Field of Specialization*: Home Economics
- Kenneth Lynn Reinhard, Kettering  
B.E.E., M.S.  
*Dissertation*: Adaptive Antenna Arrays for Coded Communication Systems  
*Field of Specialization*: Electrical Engineering
- John Jacob Rheinfrank, III, Columbus  
B.I.E., M.S.  
*Dissertation*: Toward a Systemic Paradigm of Integrative Inquiry  
*Field of Specialization*: Industrial and Systems Engineering
- Won Byung Roh, Columbus  
B.Sc. (Seoul National University); M.S.  
*Dissertation*: Design and Development of a Co Laser and Interpretation of Its Infrared Spectra  
*Field of Specialization*: Electrical Engineering
- Jeffrey Lloyd Rossio, Beachwood  
B.S. (University of Michigan); M.S.  
*Dissertation*: Characterization of Transducing "Immunogenic" Ribonucleic Acid  
*Field of Specialization*: Microbiology
- Mary Constance Rountree, Columbus  
B.S. (Madison College); M.S.  
*Dissertation*: Effectiveness of the Expanded Food and Nutrition Education Program in Producing Improvements in Diets of Homemakers  
*Field of Specialization*: Home Economics
- Harriet Jane Rudolph, Columbus  
B.S. (University of Arkansas)  
*Dissertation*: A Rhetorical Analysis of Robert F. Kennedy's University Addresses in South Africa, June, 1966  
*Field of Specialization*: Speech Communication
- Jesse Colvin Ryles, Lexington, Ky.  
B.S. in M.E. (University of Kentucky); M.S.  
*Dissertation*: Optimal Estimation of Angular Misalignment  
*Field of Specialization*: Electrical Engineering
- Allan Peter Sather, Edmonton, Alta., Canada  
B.S. Agr. (University of Alberta, Canada); M.S.  
*Dissertation*: Monte Carlo Simulation of Genetic Drift in Finite Populations Undergoing Selection  
*Field of Specialization*: Animal Science

Thomas Charles Sawyer, Worthington  
B.A., M.A.

*Dissertation*: The Mass Communication Roles of the  
Republican National Chairman in the 1972 Campaign  
*Field of Specialization*: Speech Communication

Christine Grace Schultz, Columbus  
A.B. (MacMurray College); M.S. in Edu. (Northern  
Illinois University)

*Dissertation*: Sociopathic and Non-Sociopathic  
Female Felons  
*Field of Specialization*: Sociology

Larry Allan Seitz, Cleveland  
B.S.Phys., M.A.

*Dissertation*: Towards a Selection and Admissions Model:  
Predicting Academic Success in Veterinary School  
*Field of Specialization*: Education

Sin-Yan Shen, Singapore

B.Sc. (University of Singapore); M.S.  
*Dissertation*: Surface Second Sound in Superfluid Helium  
*Field of Specialization*: Physics

Linda Ruth Shockey, Columbus  
B.A.

*Dissertation*: Phonetic and Phonological Properties of  
Connected Speech  
*Field of Specialization*: Linguistics

Paul Alexander Shoemaker, Bourneville  
B.S.Ed. (Ohio University); M.A.

*Dissertation*: Current Issues in Adult Distributive  
Education in Ohio  
*Field of Specialization*: Education

Gerald Paul Smeyak, Columbus

B.F.A. (Ohio University); M.A.  
*Dissertation*: The History and Development of  
Broadcasting in Guyana, South America  
*Field of Specialization*: Speech Communication

Ronald Cabot Smith, Athens, Ga.

B.S.A., M.S. (University of Georgia)  
*Dissertation*: Evaluation of an Introductory College Level  
Course in Landscape Horticulture  
*Field of Specialization*: Horticulture

Dean David Sommers, Walled Lake, Mich.

B.S. (Huntington College); M.S.  
*Dissertation*: A Study of Selected Factors Predictive of  
Success in Calculus at Hope College  
*Field of Specialization*: Education

Madeleine Frome Speiss, Columbus

B.A. (Hofstra College)  
*Dissertation*: The Effect of Four Communication Variables  
on the Utilization of Evaluation Conclusions in  
Decision Making  
*Field of Specialization*: Education

Paul Warren Springer, North Madison

B.A. (Ohio Wesleyan University); M.S.  
*Dissertation*: The Effects of Extrusion on the Molecular  
and Rheological Properties of General-Purpose Polystyrene  
*Field of Specialization*: Chemical Engineering

Gary Stuart Stacey, Columbus

B.S. (University of Maryland)  
*Dissertation*: The Allocation of Resources in Municipal  
Fire Protection  
*Field of Specialization*: Economics

Albert Paul Steiner, Jr., Indianapolis, Ind.

A.B. (Saint Meinrad Seminary); M.S. (Butler University)  
*Dissertation*: The Vigintivirate During the Empire  
A Study of the Epigraphical Evidence  
*Field of Specialization*: Classics

Arthur Paul Stokes, Urbana

B.S. in Jour., M.A.  
*Dissertation*: Daniel Alexander Payne: Churchman and  
Educator  
*Field of Specialization*: History

Charles Porter Stone, Jr., Worthington

B.A. (University of Minnesota); M.S. (Colorado State  
University)  
*Dissertation*: Phenetic Variation of Breeding Red-Winged  
Blackbirds in Ohio  
*Field of Specialization*: Zoology

Durward Lee Sudduth, Columbus

B.S.Ed., M.A.  
*Dissertation*: An Analysis of Observer and Participant  
Agreement Using the Flanders' System of Interaction  
Analysis for Observing Classroom Verbal Behavior  
*Field of Specialization*: Education

Janet Amine Sumida, Honolulu, Hawaii

Ed.B., M.Ed. (University of Hawaii)  
*Dissertation*: A Manual of Guidelines for Development and  
Implementation of The Hawaii Department of Education  
Statewide Assessment System Within the Systems  
Framework of the Foundation Program Assessment  
and Improvement System (FPAIS)  
*Field of Specialization*: Education

Linda Haas Tarr, Miami Beach, Fla.

B.A. (University of Pennsylvania); M.A.  
*Dissertation*: The Relationship of Parental Variables to  
Sex Role Attitudes and Identity in Late Adolescents  
*Field of Specialization*: Psychology

Tsong-Po Tsai, Chia-Yi, Taiwan

B.S., M.S. (National Taiwan University)  
*Dissertation*: Identification of an Elastic Half-Space and  
Layered-Systems by Heated Punches  
*Field of Specialization*: Engineering Mechanics

Chyau Tuan, Tainan, Taiwan

B.S. (Taiwan Provincial Chung Hsing University); M.S.  
*Dissertation*: Determinants of Financial Savings in  
Farmers' Associations in Taiwan 1960 - 1970  
*Field of Specialization*: Agricultural Economics and  
Rural Sociology

Lorne John Verabioff, Napanee, Ont., Canada

B.A., B.P.H.E. (Queen's University, Canada);  
M.S. (University of Michigan)  
*Dissertation*: The Effect of Different Post Knowledge of  
Results Intervals and Interpolated Verbal Activity on  
Performance and Retention of a Motor Skill  
*Field of Specialization*: Physical Education

Samuel Emlen Walker, Omaha, Neb.  
A.B. (University of Michigan); M.A. (University of  
Nebraska)

*Dissertation*: Terence Powderly, "Labor Mayor":  
Workingmen's Politics in Scranton, Pennsylvania,  
1870-1884

*Field of Specialization*: History

James Dwight Walter, Mayfield Heights  
B.A. (Kent State University); M.A. (Indiana State  
University)

*Dissertation*: Police in the Middle: Police Intervention  
in Domestic Disputes

*Field of Specialization*: Sociology

Thomas Joseph Wegren, Chicago, Ill.

B. of Mus. (DePaul University); M.A.

*Dissertation*: The Solo Piano Music of Gabriel Fauré

*Field of Specialization*: Music

Randall Lee Wells, Charleston, W. Va.

B.S. (Morris Harvey College); M.A. (Marshall University)

*Dissertation*: The Usefulness of an *Innovations Evaluation*  
*Guide* to Administrators and Teacher Educators in  
Vocational and Technical Education

*Field of Specialization*: Education

Carol Miebe Werner, Northfork, Id.

B.A. (Raymond College, University of the Pacific); M.A.

*Dissertation*: Responsiveness and Communication Medium  
in Dyadic Interactions.

*Field of Specialization*: Psychology

Charles Victor Anthony White, Columbus

B.A., M.S. (University of Connecticut)

*Dissertation*: Supply Response and Interregional  
Competition in the Midwest Dairy Industry: An  
Econometric Analysis

*Field of Specialization*: Agricultural Economics and  
Rural Sociology

Bruce Wendell Wieland, Columbus

B.S.M.E. (Iowa State College)

*Dissertation*: Development and Evaluation of Facilities for  
the Efficient Production of Compounds Labeled with  
Carbon-11 and Oxygen-15 at the Washington University  
Medical Cyclotron

*Field of Specialization*: Nuclear Engineering

William Erwin Winkler, East Grand Rapids, Mich.

B.S. (Michigan State University)

*Dissertation*: Contributions to the Theory of Markov Chains

*Field of Specialization*: Mathematics

Joseph Kazimierz Winsen, Newcastle, Australia

B.Com., M.Com. (University of Newcastle, Australia);

M.A.

*Dissertation*: Investor Behavior, Stock Market Efficiency  
and Publicly Available Information

*Field of Specialization*: Accounting

James Russell Wisner, Jr., Oakland, Calif.

B.A. (University of California, Berkeley)

*Dissertation*: Androgen Biosynthetic Capabilities of  
Isolated, Seminiferous Tubules, Interstitial and Whole  
Testis Tissues of Normal and Cryptorchid Rats

*Field of Specialization*: Dairy Science

Thomas Francis Woods, Columbus

B.S., M.A. (John Carroll University)

*Dissertation*: Dryden and the Prophetic Mode: An  
Examination of his Poetic Theory and Practice in Light of  
Seventeenth-Century Concepts of Prophecy

*Field of Specialization*: English

**Certificate of Specialist  
In Latin American Studies**

One candidate

\*Romas Benedict Cejauskas,  
Omaha, Neb.  
B. Arch. (University of Nebraska)

**Master of Accounting**

Three candidates

Anthony Francis Hoydilla,  
Meriden, Conn.  
B.A. (University of Connecticut)  
*Field of Specialization*: Accounting

William Donaldson Pectol,  
Kingsport, Tenn.  
B.S. (Clemson University)  
*Field of Specialization*: Accounting

James Francis Saltzman, Columbus  
A.B. (Indiana University)  
*Field of Specialization*: Accounting

**Master of Architecture**

Five candidates

John Franklin Hedge, Jr.,  
Worthington  
B.Arch.  
*Field of Specialization*: Architecture

Edward Alan Kozlowski,  
Naugatuck, Conn.  
B.Arch. (Ohio University)  
*Field of Specialization*: Architecture

Gun-Young Lee, Seoul, Korea  
B.S.E., M.S.E. (Seoul National  
University)  
*Field of Specialization*: Architecture

Michael Andrew Liscano, Columbus  
B.Arch. (University of Notre Dame)  
*Field of Specialization*: Architecture

David Schackne, Jr., Columbus  
B.Arch.  
*Field of Specialization*: Architecture

**Master of Arts**

One hundred and seventy-two candidates

Yair Abraham, Hod Hasharon, Israel  
B.A. (Hebrew University of  
Jerusalem)  
*Field of Specialization*: Psychology

Judith Davis Abruzzo, Columbus  
A.B. (University of Michigan)  
*Field of Specialization*: Education

Michael Hackney Adams, Columbus  
B.A.  
*Field of Specialization*: Education

Jane Phillips Allyn, Chillicothe  
B.S.Ed. (Ohio University); M.A.  
*Field of Specialization*: English

Kathleen Phillips Allyn, Chillicothe  
A.B. (Radcliffe College)  
*Field of Specialization*: Journalism

Allan Warren Anthony, Columbus  
B.S.Ed.  
*Field of Specialization*: Education

Judith Warren Arnold, Cortland, N.Y.  
B.A. (University of New Hampshire)  
*Field of Specialization*: Sociology

Virginia Weaver Artz, Hebron  
B.S.Ed.  
*Field of Specialization*: Education

Howard Ian Atkins, New York, N.Y.  
B.S. (City University of New York)  
*Field of Specialization*: Economics

Bonnie Osenbaugh Baker,  
San Jose, Calif.  
B.S., M.B.A. (San Jose State College)  
*Field of Specialization*: Anthropology

Betsy Eileen Bayha, Adrian, Mich.  
B.A. (Oakland University)  
*Field of Specialization*: Public  
Administration

Samuel Herbert Beckley,  
Reynoldsburg  
B.S.Ed. (Ohio Northern University)  
*Field of Specialization*: Physical  
Education

Barbara May Herman Beimly,  
Columbus  
A.B. (Ohio University)  
*Field of Specialization*: Slavic  
Languages

Thomas Ely Bell, Columbus  
B.S.Bus.Adm.  
*Field of Specialization*: Geography

Geneva Alford Benson, Columbus  
B.S. (Morris College)  
*Field of Specialization*: Education

Peter Anderson Bond, Columbus  
B.A.  
*Field of Specialization*: Political  
Science

Robert Henry Bonde, South Beloit, Ill.  
B.A. (Beloit College)  
*Field of Specialization*: Sociology

Rodica Ciocanelea Botoman, Columbus  
Licentiatore (Pedagogical Institute of  
Bucharest, Rumania)  
*Field of Specialization*: Romance  
Languages

Karen Zimmer Brown, West Lafayette  
B.S.Ed. (Kent State University)  
*Field of Specialization*: Education

Ruth Wilson Brown, Columbus  
B.S. (Wiley College)  
*Field of Specialization*: Education

Lenita Compton Bunch, Columbus  
B.S.Ed. (Central State University)  
*Field of Specialization*: Education

Ann Janett Bush, Jackson, Tenn.  
B.S. (Tennessee Agricultural and  
Industrial State University)  
*Field of Specialization*: Political  
Science

Betty Brown Cataldi, Columbus  
B.A. (University of Kentucky)  
*Field of Specialization*: Theatre

Candis Lee Condo, Memphis, Tenn.  
B.A. (University of Cincinnati)  
*Field of Specialization*: Classics

Dennis Ray Costello,  
North Tonawanda, N.Y.  
A.B. (State University of New  
York College at Fredonia)  
*Field of Specialization*: Economics

Stuart Platt Coxhead, Jr., Columbus  
B.A. (Trinity College); B.D.  
(Episcopal Theological Seminary)  
*Field of Specialization*: Sociology

Alice Kahlenberg Coy, Columbus  
B.A. (Capital University)  
*Field of Specialization*: Education

Robert James Crackel, Owosso, Mich.  
B.A. (Western Michigan University)  
*Field of Specialization*: Romance  
Languages

Donald Albert Danielson, Jr.,  
Columbus  
B.F.A. (Ohio University)  
*Field of Specialization*: Education

Pamela Harvey Dase, Columbus  
B.S.Ed.  
*Field of Specialization*: Education

\*<sup>a</sup>Carolyn Delbrugge Dawson,  
Columbus  
*Field of Specialization*: Sociology

Patricia Carlson Dege, Columbus  
B.A. (Macalester College)  
*Field of Specialization*: German

\* Also Master of City Planning, Graduate  
School  
\*\* Also Bachelor of Arts, Colleges of the Arts  
and Sciences

- John Timothy Diamond, Nedrow, N.Y.  
B.A. (University of Waterloo,  
Canada)  
*Field of Specialization:* Sociology
- Anna Kalenak Doray, Worthington  
B.S.Ed.  
*Field of Specialization:* Education
- Charlene Green Dossett, Columbus  
B.S.Ed.  
*Field of Specialization:* Education
- Jeanette Heidmann Edie, Findlay  
B.S.Ed. (Capital University)  
*Field of Specialization:* Physical  
Education
- William Carson Ellis, Roanoke, Va.  
B.A. (University of Virginia)  
*Field of Specialization:* English
- Pamela Lynne Ennis, Westbury, N.Y.  
B.S. in Ed. (Central State College)  
*Field of Specialization:* Education
- Steven Charles Fazio,  
Birmingham, Ala.  
B.A. (Birmingham Southern College)  
*Field of Specialization:* Classics
- Kenneth Robert Ferris, Baltimore, Md.  
B.B.A., M.B.A. (George Washington  
University)  
*Field of Specialization:* Accounting
- Dina Sheinberg Fishman,  
Ottawa, Ont., Canada  
B.A. (Hebrew University of  
Jerusalem, Israel)  
*Field of Specialization:*  
Communications
- Dennis Joseph Foley, Middletown  
B.S.Ind.Des.  
*Field of Specialization:* Design
- Mary Margaret Fonow, Steubenville  
A.B. (Ohio University)  
*Field of Specialization:* Sociology
- Mary Ellen Forrester, Columbus  
B.S.Ed.  
*Field of Specialization:* English
- Daniel Jay Friedman, Columbus  
B.A. (Antioch College)  
*Field of Specialization:* Psychology
- Kenneth Jay Gerhardt, Mt. Gilead  
B.S.Ed.  
*Field of Specialization:*  
Communications
- Robert Alfred Gervasi, Holiday, Fla.  
B.A. (Xavier University)  
*Field of Specialization:* Classics
- Marion Frances Gillis, Plainfield  
B.A. (Newark State College)  
*Field of Specialization:* Education
- Donald Ray Goldberg, Cleveland  
B.A.  
*Field of Specialization:* Public  
Administration
- Sharon Rae Goldberg, Columbus  
B.S.Ed.  
*Field of Specialization:* Education
- Jay S. Goodell, Columbus  
B.A. (Ohio Wesleyan University)  
*Field of Specialization:* Economics
- Margaret Sievert Goodlin, Carroll  
B.A. (Wittenberg University)  
*Field of Specialization:* East Asian  
Languages
- Margaret Kinsey Goodman, Columbus  
B. of Music (Eastern Nazarene  
College)  
*Field of Specialization:* Journalism
- James Thomas Grant, Jr.,  
Reynoldsburg  
A.B. (University of Missouri)  
*Field of Specialization:* Journalism
- Joy Chamberlain Grant, Newark, N. J.  
B.A. (Glassboro State College)  
*Field of Specialization:* Education
- Russell Martin Greata,  
Beaver Falls, Pa.  
A.B. (University of Pennsylvania)  
*Field of Specialization:* Accounting
- Paul Alexis Griffin,  
Wellington, New Zealand  
B.C.A., B.C.A., M.C.A. (Victoria  
University of Wellington)  
*Field of Specialization:* Accounting
- William Arthur Grundemann,  
Cincinnati  
B.A.  
*Field of Specialization:* Education
- Roger Warren Hafford, Fremont  
B.A.  
*Field of Specialization:* Education
- Joseph Talbert Hairston, Worthington  
B.S.Soc.Wel., M.S.W.  
*Field of Specialization:* Public  
Administration
- David Francis Hall, Columbus  
B.A. (Reed College)  
*Field of Specialization:* Psychology
- Charles Edward Hayes, Somers, Conn.  
B.A. (Ohio Wesleyan University)  
*Field of Specialization:* Journalism
- David Cliffe Hayes, Moorabbin,  
Australia  
B.Econ.(Hons.) (Monash University,  
Australia)  
*Field of Specialization:* Accounting
- Loretta Evans Heigle, Columbus  
B.S.Ed. (Otterbein College)  
*Field of Specialization:* Education
- Linda Spiker Helzer, Norwich  
B.S.Ed.  
*Field of Specialization:* Education
- Nancy Medhurst Hertl, Worthington  
B.A.  
*Field of Specialization:* Romance  
Languages
- Lynne Elizabeth Hobstetter, Columbus  
B.S.Ed.; M.S. (State University of  
New York at Albany)  
*Field of Specialization:* Psychology
- Lawrence Nicholas Hogan, Cincinnati  
B.S. (Xavier University)  
*Field of Specialization:*  
Communications
- Richard Le Holladay,  
San Bernardino, Calif.  
B.A. (University of California,  
Riverside)  
*Field of Specialization:* Music
- Joanne Frances Holland, Columbus  
B.A.  
*Field of Specialization:* Psychology
- Philip Wayne Hord, Columbus  
B.S.Ed.  
*Field of Specialization:* Education
- James Leslie Ingraham, Columbus  
B.S.Ed. (University of Akron)  
*Field of Specialization:* Music
- Loring Ivanick, Yonkers, N. Y.  
B.A. (New York University)  
*Field of Specialization:* German
- Dale Matthew Jakab, Cleveland  
B.A. (University of Dayton)  
*Field of Specialization:* Education
- Mary Cathey Jenkins, Martin, Tenn.  
B.S. (University of Tennessee)  
*Field of Specialization:* Anthropology
- Ruth Clement Jenkins, Columbus  
B.S.Ed.  
*Field of Specialization:* Education
- Martin Dale Johnson, Pataskala  
B.S.Ed. (Ohio University)  
*Field of Specialization:* Physical  
Education
- William Bruce Johnson,  
Myrtle Creek, Ore.  
B.S. (University of Oregon)  
*Field of Specialization:* Accounting

- Barry Travis Jones, LaMesa, Calif.  
A.B. (San Diego State College)  
*Field of Specialization*: Psychology
- Tamara House Juba, Columbus  
B.A.  
*Field of Specialization*: Political Science
- Ronald Jay Karpf, New Brunswick, N. J.  
B.A. (University of Rochester)  
*Field of Specialization*: Psychology
- William Emerson Kilbourne, III, Columbus  
B.S.Ed.  
*Field of Specialization*: Education
- Collin Marvin Kinsey, II, East Liverpool  
B.S.Ed.  
*Field of Specialization*: Physical Education
- Virginia Elizabeth Kniesner, Cleveland  
B.M. (Kent State University)  
*Field of Specialization*: Music
- Joseph Siegfried Krzesni, San Francisco, Calif.  
B.A. (University of San Francisco)  
*Field of Specialization*: Psychology
- Karen Copp Lachat, Centerville  
B.A. (University of Kentucky)  
*Field of Specialization*: Education
- Thomas James Lando, Willows, Calif.  
B.A. (University of the Pacific)  
*Field of Specialization*: Public Administration
- Gerard Thomas Lennon, Worthington  
B.A.  
*Field of Specialization*: Public Administration
- Harriette Bassler Levy, Columbus  
B.S.Ed.  
*Field of Specialization*: Education
- Jeanie Louise Lewis, Richland, Wash.  
B.S. (University of Washington)  
*Field of Specialization*: Psychology
- Robert Richard Little, West Union  
B.A. Jour.  
*Field of Specialization*: Journalism
- Diane Josephine Lowe, Columbus  
B.A. (Northwestern University)  
*Field of Specialization*: Psychology
- Paul Clement Luken, Cincinnati  
B.A. (Quincy College)  
*Field of Specialization*: Sociology
- James Roderick Maguire, Bloomington, Ill.  
B.S. in B.A. (Drake University)  
*Field of Specialization*: Education
- Edward T. Mahr, Columbus  
B.A.  
*Field of Specialization*: Education
- Mary Hildebrand Majewski, Chicago, Ill.  
A.B. (University of Illinois)  
*Field of Specialization*: English
- Anthony Peter Mannarino, Columbus  
A.B. (Cornell University)  
*Field of Specialization*: Psychology
- Judith Marland, Washington, D.C.  
B.A. (Denison University)  
*Field of Specialization*: Anthropology
- Curtis Eugene Martin, Abbeville, S. C.  
B.S.Ed. (Ashland College)  
*Field of Specialization*: Physical Education
- Baerbel Safraneck Mason, Columbus  
B.S.Ed.  
*Field of Specialization*: German
- Kathleen Jane McCormick, Springfield, Pa.  
A.B. (Mount Holyoke College)  
*Field of Specialization*: German
- Joyce Lynn McKenney, Dayton  
B.A. (Wright State University)  
*Field of Specialization*: Anthropology
- Victor Lee Miller, West Lafayette  
B.S.Ed.  
*Field of Specialization*: Education
- William Walter Miller, Canton  
B.A.  
*Field of Specialization*: History
- Hendree Brinton Milward, Lexington, Ky.  
B.A. (University of Kentucky)  
*Field of Specialization*: Public Administration
- Colleen Lily Mooney, Huntington, W. Va.  
B.A. (Marshall University)  
*Field of Specialization*: History
- John Larkin Nickerson, Columbus  
B.A. (University of San Francisco)  
*Field of Specialization*: Anthropology
- Linda Jane Otten, Springfield  
B.A. (Georgetown College)  
*Field of Specialization*: Music
- Margaret Emery Park, Columbus  
B.S. (Florida State University)  
*Field of Specialization*: Education
- Ethel Budin Parsons, Wilmington, Del.  
B.A. (University of Delaware)  
*Field of Specialization*: Sociology
- Hope Juanette Patterson, Columbus  
B.S.Ed.  
*Field of Specialization*: Education
- Clara Baker Paulus, Sidney  
B.A.  
*Field of Specialization*: Education
- Donald Pengov, Columbus  
B.S.Ed.  
*Field of Specialization*: Physical Education
- David Elwood Phillips, Miamisburg  
B.M.Ed. (Otterbein College)  
*Field of Specialization*: Music
- Ned Hansen Phillips, Berea  
B.A. (Muskingum College)  
*Field of Specialization*: Economics
- Rosie Mae Phillips, Memphis, Tenn.  
B.A. (Elmhurst College)  
*Field of Specialization*: Education
- Robert Wayne Price, Cleveland  
B.A. (Kenyon College)  
*Field of Specialization*: Economics
- Marilyn White Pritchett, Columbus  
B.A., B.S.Ed.  
*Field of Specialization*: Education
- Bonnie Eileen Pugliese, Gillette, N. J.  
B.S. (Rutgers-The State University)  
*Field of Specialization*: Physical Education
- David Harold Resler, Garrettsville  
B.A. (Muskingum College)  
*Field of Specialization*: Economics
- Christopher Knox Rich, Minneapolis, Minn.  
B.S. (Yale University)  
*Field of Specialization*: Psychology
- Suellen Lee Richmond, South Weymouth, Mass.  
B.S. (State University of New York College at Potsdam)  
*Field of Specialization*: Music
- Zoran Roca, Columbus  
Engr. (University of Zagreb, Yugoslavia)  
*Field of Specialization*: Geography
- Ruey Landis Rodman, Lancaster, Pa.  
B.A. (Marietta College)  
*Field of Specialization*: Music
- Stephen Andrew Rose, Columbus  
B.S.Ed.  
*Field of Specialization*: Education

John Joseph Ruszkiewicz,  
Maple Heights  
B.A. (Saint Vincent College)  
*Field of Specialization: English*

Susan Mary Saiter, Columbus  
A.B. (University of Michigan)  
*Field of Specialization: Journalism*

Marsha Grundemann Sales, Cincinnati  
B.S.Ed.  
*Field of Specialization: Education*

Dean Allen Sarbaugh, Dresden  
B.S.Ed. (Ohio University)  
*Field of Specialization: Education*

Frieda Kass Scaduto, Columbus  
B.S. (Midwestern University)  
*Field of Specialization: Education*

Margaret C. Schano, Columbus  
B.A. (Ohio Dominican College)  
*Field of Specialization: Education*

Philip Michael Schieber, Galion  
B.A.  
*Field of Specialization: Journalism*

Frederick Owen Schmidt, Logan  
B.S.Ed.  
*Field of Specialization: Music*

Mark Alan Schweickart, Columbus  
B.S.Ed.  
*Field of Specialization: English*

Martin Joel Shapiro,  
Kendall Park, N. J.  
B.A. (Trenton State College); B.S.Ed.  
*Field of Specialization: Education*

Sandra Parrish Shawhan,  
Mt. Juliet, Tenn.  
B.A. (Lambuth College)  
*Field of Specialization: Education*

Mary Jenelle Kauser Showalter,  
Columbus  
B.S.Ed.  
*Field of Specialization: Education*

Benjamin Bell Shriver,  
Mingo Junction  
B.A.  
*Field of Specialization: English*

Neil Edward Singleton, Cleveland  
A.B. (John Carroll University)  
*Field of Specialization: Classics*

Milton Howard Sleeter, Lewisburg, Pa.  
B.Mus. (Bucknell University)  
*Field of Specialization: Music*

Mary Elisabeth Snyder,  
Bloomfield Hills, Mich.  
B.A. (Western Michigan University)  
*Field of Specialization: Education*

Roderick Vincent South, Reynoldsburg  
B.S.Ed.  
*Field of Specialization: Education*

Judith Ann Spiers, Columbus  
B.S.Ed.  
*Field of Specialization: Education*

Gayle Lloyd Stafford, Columbus  
B.A. (Ohio Dominican College)  
*Field of Specialization: Education*

Raymond H. Starrett, Tustin, Calif.  
B.A. (California State College, Long  
Beach)  
*Field of Specialization: Psychology*

Phortia Rostorfer Stevens, Pataskala  
B.S. (Rio Grande College)  
*Field of Specialization: Education*

Donna Kaessen Stewart, Columbus  
B.S. (California State Polytechnic  
College)  
*Field of Specialization: Education*

Susan Bosak Stine, Cleveland  
B.A. (Michigan State University)  
*Field of Specialization: Journalism*

Wesley Howard Sylvia, Columbus  
B.A.  
*Field of Specialization: Psychology*

Daniel Duane Taylor,  
Wilmington, Del.  
B.S.Bus. Adm. (Bowling Green State  
University)  
*Field of Specialization: Economics*

Eric Paul Trilling, Yonkers, N. Y.  
B.A. (State University of New York  
College at Plattsburgh)  
*Field of Specialization: Journalism*

Larry Lee Tucker, Warren  
B.A. (Edinboro State College)  
*Field of Specialization: Anthropology*

Gretchen Hummel Tuckerman,  
Columbus  
A.B. (Ohio University)  
*Field of Specialization: Education*

Susan Elaine Turk, Centerville, Pa.  
B.A. (Allegheny College)  
*Field of Specialization: Economics*

Diane Loeey Uldricks, Worthington  
B.S.Ed.  
*Field of Specialization: Journalism*

Diana Lee Veith, Chicopee Falls, Mass.  
B.S. (University of Massachusetts,  
Amherst)  
*Field of Specialization: Psychology*

Gail Iris Walton, Cleveland  
B.S.  
*Field of Specialization: Education*

Joseph Wyrick Warren,  
Willingboro, N. J.  
B.A. (Oakwood College)  
*Field of Specialization: English*

Faythe Mays Weaver, Columbus  
B.A. (State University of New York  
College at Oswego)  
*Field of Specialization: History of Art*

Mary Waltz Weingartner, Norwich  
B.S.Ed.  
*Field of Specialization: Education*

James Michael White, Chillicothe  
B.A. (Miami University)  
*Field of Specialization: Sociology*

Mary Hatcher Wideman, Bellefontaine  
B.S.Ed.  
*Field of Specialization: Education*

Suzanne Wigert, St. Louis, Mo.  
B.S. (Washington University)  
*Field of Specialization: Sociology*

Janet Lynn Williams, Ravenna  
B.S.Nurs. (Kent State University)  
*Field of Specialization: Physical  
Education (Health Education)*

Katherine Susanna Williams,  
Bethesda, Md.  
B.A. (University of Alabama)  
*Field of Specialization: Sociology*

Max Dale Windham, Westerville  
B.A. (Hardin-Simmons University)  
*Field of Specialization: Education*

Albert Wolfram,  
Altmunster, Austria  
Diplom-Kaufmann (Vienna School of  
Economics and Business  
Administration)  
*Field of Specialization: Economics*

Mary Riedl Wozny, Lockbourne AFB  
B.A. (Marquette University)  
*Field of Specialization: Education*

Joseph Eugene Wright, Massillon  
B.A.  
*Field of Specialization: Sociology*

Robert Charles Wurnstedt,  
Pepper Pike  
B.S. in Bus. Adm. (University of  
Arizona)  
*Field of Specialization: Journalism*

Diane Elizabeth Yassenoff, Columbus  
B.A.  
*Field of Specialization: Education*

Patricia Long Zimmerman, Newark  
B.S.Ed.  
*Field of Specialization: Education*

### Master of Business Administration

Twenty-six candidates

Karl Randall Auker, Columbus  
B.S.Bus.Adm. (University of Akron)  
*Field of Specialization:* Business Administration

Bruce John Bond, Hudson  
B.S. (Miami University)  
*Field of Specialization:* Business Administration

Kenneth James Foley, Liverpool, N. Y.  
B.S.A.A.E. (Purdue University)  
*Field of Specialization:* Business Administration

Christopher James Handel,  
Chagrin Falls  
B.S.M.E. (Purdue University)  
*Field of Specialization:* Business Administration

Michael Francis Hogan, Garrettsville  
B.A., B.S.Ed.  
*Field of Specialization:* Business Administration

Phillip Clifford Houlette, Columbus  
B.S.Bus.Adm.  
*Field of Specialization:* Business Administration

Nancy Marie Huisman,  
Indianapolis, Ind.  
B.S. (Purdue University)  
*Field of Specialization:* Business Administration

<sup>1</sup>Philip George Knowles, Akron  
B.Ch.E.  
*Field of Specialization:* Business Administration

James Dean Milby, Steubenville  
B.S.Bus.Adm.  
*Field of Specialization:* Business Administration

Alex Milli, Columbus  
B.S.Bus.Adm.  
*Field of Specialization:* Business Administration

Irvin Howard Moscovitz, Dayton  
B.S.Bus. (Miami University)  
*Field of Specialization:* Business Administration

Robert Larry Mueller, Columbus  
B.S.Bus.Adm.  
*Field of Specialization:* Business Administration

Souhail Nassib Nemer, Akron  
B.A. (Hartwick College); M.A.  
*Field of Specialization:* Business Administration

Peter Michael Oldani, Unionville  
B.Mech.E. (University of Detroit)  
*Field of Specialization:* Business Administration

Charles Benjamin Patterson,  
Columbus  
B.S.  
*Field of Specialization:* Business Administration

Felipe Jaime Penaredonda,  
New York, N. Y.  
Ingeniero-Quinico (Universidad Nacional de Colombia)  
*Field of Specialization:* Business Administration

James Eric Petticrew, New Carlisle  
B.S.C.I.S.  
*Field of Specialization:* Business Administration

Andrew Walter Prout, III, Columbus  
A.B. (Duke University)  
*Field of Specialization:* Business Administration

Robert Norman Redella, Cincinnati  
B.S.C.E. (University of Cincinnati)  
*Field of Specialization:* Business Administration

Joseph Raymond Rodriguez, Jr., Lima  
B.S. (Rose Polytechnic Institute)  
*Field of Specialization:* Business Administration

Neil George Siebenhar, Columbus  
B.S.A.A.E.  
*Field of Specialization:* Business Administration

Jeffrey Stephen Stein, Beachwood  
B.S.Bus. (Miami University)  
*Field of Specialization:* Business Administration

Frank Joseph Tate, Columbus  
B.S.Bus.Adm.  
*Field of Specialization:* Business Administration

Stephen Wagner, Columbus  
B.S.Bus.Adm.  
*Field of Specialization:* Business Administration

Larry Frederick Zimmerman,  
Columbus  
B.S.Bus.Adm.  
*Field of Specialization:* Business Administration

John Nolan Zinsmaster, Bryan  
B.S.Bus.Adm.  
*Field of Specialization:* Business Administration

### Master of City Planning

Eight candidates

John Ray Allen, New Concord  
B.A. (Muskingum College)  
*Field of Specialization:* City and Regional Planning

\*\*Romas Benedict Cejauskas,  
Omaha, Neb.  
B.Arch. (University of Nebraska)  
*Field of Specialization:* City and Regional Planning

John Sieder Ohlson, Springfield, N. J.  
B.A. (University of Oklahoma)  
*Field of Specialization:* City and Regional Planning

Matthew Walter Prishby, Venetia, Pa.  
B.S. (Pennsylvania State University)  
*Field of Specialization:* City and Regional Planning

\*Ronald Stewart Rybak, Columbus  
B.A.  
*Field of Specialization:* City and Regional Planning

Christopher Alan Schaefer, Toledo  
B.A. (Miami University)  
*Field of Specialization:* City and Regional Planning

\*Stanley David Sells, Columbus  
B.A.  
*Field of Specialization:* City and Regional Planning

Douglas Ross Wiegand,  
Minneapolis, Minn.  
B.A. (University of Minnesota)  
*Field of Specialization:* City and Regional Planning

### Master of Fine Arts

Four candidates

Warren Drake Bartholomew,  
Columbus  
B.F.A.  
*Field of Specialization:* Fine Arts (Painting)

Judith Ann Davids, Columbus  
B.A. (Cornell College)  
*Field of Specialization:* Fine Arts (Sculpture)

Michael Robert Seiler, Columbus  
B.F.A.  
*Field of Specialization:* Fine Arts (Painting)

<sup>1</sup> Also Master of Science, Graduate School  
<sup>\*\*</sup> Also Master of Social Work, Graduate School  
<sup>\*\*</sup> Also Certificate of Specialist in Latin American Studies, Graduate School



Philip Ray Warner, Columbus  
B.A.  
*Field of Specialization*: Theatre

### Master of Music

Two candidates

Marsha Gay Stewart Phillips,  
Columbus  
B.S.Ed.  
*Field of Specialization*: Music

Susan Jeanne Woodard, Columbus  
B.A. (Adelphi University)  
*Field of Specialization*: Music

### Master of Science

One hundred and fifty-nine candidates

James Bruce Achmoody, Columbus  
A.B. (Asbury College)  
*Field of Specialization*: Botany

Marjorie Smith Anderson,  
Hanahan, S. C.  
E.S. (University of South Carolina)  
*Field of Specialization*: Nursing

Lee Ross Andre, Wauseon  
B.S.M.E. (University of Toledo)  
*Field of Specialization*: Mechanical  
Engineering

George Antwi-Boateng,  
Kumasi, Ghana  
B.S. (University of Science and  
Technology, Ghana)  
*Field of Specialization*: Metallurgical  
Engineering

Vasken Boghos Aprahamian,  
Ainjar, Lebanon  
B.S. (American University of Beirut)  
*Field of Specialization*: Food Science  
and Nutrition

Jack Robert Arney, La Crescent, Minn.  
B.S. (Wisconsin State University)  
*Field of Specialization*: Computer and  
Information Science

Opas Arpornchayanon,  
Chiengmai, Thailand  
B.Eng. (Chulalongkorn University)  
*Field of Specialization*: Civil  
Engineering

Susan Jones Ball, Parma  
B.A. (Ohio Wesleyan University)  
*Field of Specialization*: Mathematics

David Carr Bell, Cleveland  
A.B. (University of Michigan)  
*Field of Specialization*: Computer and  
Information Science

Amin Farid Bishara, Columbus  
B.E.E.  
*Field of Specialization*: Electrical  
Engineering

Maureen Annette Blankenberger,  
Cynthiana, Ind.  
B.S. (Purdue University)  
*Field of Specialization*: Home  
Economics

Kathleen Grybos Bockbrader,  
Youngstown  
B.S.H.E.  
*Field of Specialization*: Home  
Economics

Elaine Murphy Bolzan,  
Rochester, N. Y.  
A. B. (Oberlin College)  
*Field of Specialization*: Mathematics

James Francis Brady, Scott  
B.S.I.E.  
*Field of Specialization*: Industrial  
Engineering

Viswanathan Naganathan Bringi,  
Bombay, India  
B.Tech.E.E. (Indian Institute of  
Technology)  
*Field of Specialization*: Electrical  
Engineering

Lawrence LeRoy Brownley, Columbus  
B.A. (Vanderbilt University)  
*Field of Specialization*: Mathematics

Guy Capaldo, Dayton  
B.E.E. (University of Dayton)  
*Field of Specialization*: Electrical  
Engineering

Bryson Reed Carter, Gallipolis  
B.S.Agr.  
*Field of Specialization*: Agricultural  
Education

Kay Frances Carter, St. Louis, Mo.  
B.S. in P.T. (Saint Louis University)  
*Field of Specialization*: Allied  
Medicine

Kathleen Yacobozzi Cassandra,  
Amherst  
B.S.Nurs.  
*Field of Specialization*: Nursing

HaiSoon Cho Chai, Seoul, Korea  
B.Pharm. (Ewha Women's  
University)  
*Field of Specialization*: Pharmacy

Young Gui Chai, Seoul, Korea  
B.S. (Seoul National University)  
*Field of Specialization*: Electrical  
Engineering

Ronald Stephen Chemistruck,  
Albuquerque, N. M.  
B.S.E.E. (University of Hawaii)  
*Field of Specialization*: Nuclear  
Engineering

Sun-I Chen, Taipei, Taiwan  
B.S. (Chung Cheng Institute of  
Technology); M.S. (National  
Tsinghua University)  
*Field of Specialization*: Chemical  
Engineering

Chyau-Bin Grace Chou,  
Kao Hsiung, Taiwan  
B.S. (Taiwan Province Chung-Hsing  
University)  
*Field of Specialization*: Genetics

Carlos Jose Chua, Manila, Philippines  
B.S. (University of the Philippines)  
*Field of Specialization*: Mathematics

Steven Dean Clapham, Worthington  
B.Cer.E.  
*Field of Specialization*: Ceramic  
Engineering

James Gregory Clark, Columbus  
B.S.Agr.  
*Field of Specialization*: Animal  
Science

Cynthia Hartley Cochran, Columbus  
B.S.H.E.  
*Field of Specialization*: Home  
Economics

Bonnie Bosworth Coe, Fredericktown  
B.S.  
*Field of Specialization*: Allied  
Medicine

Alan Dale Cook, Newark  
B.S.Agr.  
*Field of Specialization*: Horticulture

Robert Franklin Cook, Urbana, Ill.  
B.S. (University of Illinois)  
*Field of Specialization*: Aeronautical  
and Astronautical Engineering

Edward Beekman Cooper, Jr.,  
Columbus  
B.S. (Wake Forest University)  
*Field of Specialization*: Computer and  
Information Science

- Kenneth William Coryell,  
Chagrin Falls  
B.S.W.E.  
*Field of Specialization* : Welding  
Engineering
- Charles Nicholas Costakos, Columbus  
B.A.  
*Field of Specialization* : Computer and  
Information Science
- John Duffy De Walt, Columbus  
B.S.  
*Field of Specialization* : Pathology
- James Stockley Diehl, Columbus  
B.S.Nutrition  
*Field of Specialization* : Animal  
Science
- Gary Patrick Dimenna, Columbus  
B.S.  
*Field of Specialization* : Dairy Science
- Nancy Loeprich Drake, Worthington  
B.S.Nurs. (University of Michigan)  
*Field of Specialization* : Nursing
- Curt Summers Dunham, Columbus  
B.S.Agr.  
*Field of Specialization* : Agricultural  
Education
- John Leslie Elson, II, Versailles  
B.I.E.  
*Field of Specialization* : Industrial  
Engineering
- James Earl Emery, Ithaca, Mich.  
B.S. (Michigan State University)  
*Field of Specialization* : Computer and  
Information Science
- Richard Walter Emmert, Cincinnati  
M.E. (University of Cincinnati)  
*Field of Specialization* : Industrial  
Engineering
- William McKenzie Falls, Muncie, Ind.  
B.A. (Hanover College)  
*Field of Specialization* : Anatomy
- Kathleen Elsie Fia, Columbus  
B.S.Nurs. (Saint John College of  
Cleveland)  
*Field of Specialization* : Nursing
- Jo Ellen Hitch Force, Columbus  
B.S. (Iowa State University)  
*Field of Specialization* : Natural  
Resources
- Alice Messeloff Fraenkel, Columbus  
A.B. (Radcliffe College); A.M.  
(Columbia University)  
*Field of Specialization* : Genetics
- Julia Bever George, Dayton  
B.S.Nurs. (University of Cincinnati)  
*Field of Specialization* : Nursing
- \*Timothy Dale Gerber, Brecksville  
*Field of Specialization* : Agronomy
- Sheri Ann Gilbert, East Meadow, N. Y.  
B.S.  
*Field of Specialization* : Microbiology
- Saulius Antanas Girnius,  
Boston, Mass.  
A.B. (Case Western Reserve  
University)  
*Field of Specialization* : Mathematics
- Anne Jean Goetz, Tiffin  
B.S. (University of Miami)  
*Field of Specialization* : Nursing
- Barbara Furst Gormley, Columbus  
B.S. (Cornell University)  
*Field of Specialization* : Home  
Economics
- Edward Lynn Grau, Sunbury  
B.S.A.A.E  
*Field of Specialization* : Aeronautical  
and Astronautical Engineering
- Peggy Limehouse Gray, Columbus  
B.S.Nurs. (University of Virginia)  
*Field of Specialization* : Nursing
- Andrew David Griffith,  
Ellicott City, Md.  
B.S.E. (Johns Hopkins University)  
*Field of Specialization* : Computer  
and Information Science
- Sylvia Daina Grislis, Park Ridge, Ill.  
B.S. (University of Illinois)  
*Field of Specialization* : Computer  
and Information Science
- Dennis Porter Grose, Chesire  
B.S. (Marietta College)  
*Field of Specialization* : Industrial  
Engineering
- Jean Ann Grubb, North Canton  
B.S.  
*Field of Specialization* : Animal  
Science
- John Earl Gruss, Columbus  
B.S.Agr.  
*Field of Specialization* : Animal  
Science
- Debra Blaylock Hanes,  
Indianapolis, Ind.  
B.A. (Marian College)  
*Field of Specialization* : Home  
Economics
- Robert Thomas Harp, Greenville  
B.S.Agr.  
*Field of Specialization* : Agricultural  
Education
- David Harrison Hoffmeister,  
North Olmsted  
B.I.E.  
*Field of Specialization* : Industrial  
Engineering
- Bruce David Hulman, Dayton  
B.S.  
*Field of Specialization* : Geology
- Diane Peiniger Jansson, Columbus  
B.S.Nurs. (Loyola University)  
*Field of Specialization* : Nursing
- Jeanette Jones, Fort Valley, Ga.  
B.S. (Fort Valley State College)  
*Field of Specialization* : Botany
- Joseph Eugene Justin, Woodbury, N.J.  
B.S. (United States Air Force  
Academy)  
*Field of Specialization* : Aeronautical  
and Astronautical Engineering
- \*\*Dennis John Justus, Columbus  
*Field of Specialization* : Mechanical  
Engineering
- Shao-Hui Kao, Pen Chiao, Taiwan  
B.S. (National Taiwan University)  
*Field of Specialization* : Genetics
- Moses Karakouzian, Blacksburg, Va.  
B.E. (American University of Beirut,  
Lebanon)  
*Field of Specialization* : Civil  
Engineering
- Marjorie Wood Kauffman,  
Greenville, S.C.  
B.S. (Bob Jones University)  
*Field of Specialization* : Home  
Economics
- Jack William Kelley, Botkins  
B.S.A. (Purdue University)  
*Field of Specialization* : Animal  
Science
- Yung Soo Kim, Seoul, Korea  
D.D.S., M.D.S., Ph.D. (Seoul  
National University)  
*Field of Specialization* : Dentistry
- George Philip Kinstle, Mansfield  
B.S. (University of Notre Dame)  
*Field of Specialization* : Chemistry
- Konrad Thomas Kmetz, Lakewood  
B.S. (Ohio University)  
*Field of Specialization* : Plant  
Pathology
- <sup>1</sup> Philip George Knowles, Akron  
B.Ch.E.  
*Field of Specialization* : Chemical  
Engineering
- \* Also Bachelor of Science in Agriculture,  
College of Agriculture and Home Economics
- \*\* Also Bachelor of Mechanical Engineering,  
College of Engineering
- <sup>1</sup> Also Master of Business Administration,  
Graduate School

- Jeffrey Roland Kreutzberg, Columbus  
B.S.All'd.Hlth.Prof.  
*Field of Specialization: Allied  
Medicine*
- Linda Sue Lamb, Canal Winchester  
B.S.  
*Field of Specialization: Horticulture*
- Rae Wynelle Langford, Houston, Tex.  
B.S. (Texas Woman's University)  
*Field of Specialization: Nursing*
- Donna Drury Larson, Delaware  
B.A. (Ohio Wesleyan University)  
*Field of Specialization: Botany*
- David Bruce Lause, Delphos  
B.S. (Ohio Northern University)  
*Field of Specialization: Anatomy*
- Richard Kwok-Keung Law,  
Hong Kong  
A.B. (University of California,  
Berkeley)  
*Field of Specialization: Chemical  
Engineering*
- Yong Han Lee, Seoul, Korea  
B.S. (Seoul National University)  
*Field of Specialization: Electrical  
Engineering*
- Beverly Bowers Lenahan, Hudson  
B.S.Nurs.  
*Field of Specialization: Nursing*
- Danny Lewis Levine, Winnipeg  
Man., Canada  
B.S.M.E. (University of Manitoba)  
*Field of Specialization: Metallurgical  
Engineering*
- Donald Ray Lewis, Findlay  
A.B. (Wilmington College)  
*Field of Specialization: Entomology*
- Benjamin Lloyd Lichtin, Cincinnati  
B.A. (University of Cincinnati)  
*Field of Specialization: Mathematics*
- Tzong-Yau Lin, Taipei, Taiwan  
B.S. (National Tsing Hua University)  
*Field of Specialization: Nuclear  
Engineering*
- Ming-Ru Liu, Taipei, Taiwan  
B.Sc. (National Taiwan Normal  
University)  
*Field of Specialization: Mathematics*
- Ting-Chung Lo, Hong Kong  
B.S. (Wisconsin State University)  
*Field of Specialization: Computer  
and Information Science*
- Larry P. Lokai, Springfield  
B.S.Agr.  
*Field of Specialization: Agricultural  
Education*
- Dennis William Lynch, Cincinnati  
A.B. (University of Cincinnati)  
*Field of Specialization: Zoology*
- Margaret Roloson Maloon, Columbus  
B.S.Nurs.  
*Field of Specialization: Nursing*
- Ramakant Hasmukhlal Mandalaywala,  
Gujarat, India  
B.Tech. (Indian Institute of  
Technology)  
*Field of Specialization: Electrical  
Engineering*
- Delores Ann Marik, Garfield Heights  
A.B. (Indiana University)  
*Field of Specialization: Computer  
and Information Science*
- Zilda Paes de Barros Mattos,  
Sao Paulo, Brazil  
Engenheiro-Agronomo (Universidade  
de Sao Paulo, Brazil)  
*Field of Specialization: Agricultural  
Economics and Rural Sociology*
- Arthur Newell Maupin, Coshocton  
B.S.Ch.E. (Michigan Technological  
University)  
*Field of Specialization: Chemical  
Engineering*
- Bonita Arline McIntosh, Youngstown  
B.S.  
*Field of Specialization: Mathematics*
- Paul Brian McMahan, Larue  
B.S.I.E.  
*Field of Specialization: Industrial  
Engineering*
- Mukul Mohanlal Mehta, Bombay, India  
B.Chem.Eng. (University of  
Bombay); M.S.  
*Field of Specialization: Statistics*
- Joseph Steve Mikols, Midland, Mich.  
B.S.M.E. (Michigan College of  
Mining and Technology)  
*Field of Specialization: Welding  
Engineering*
- Christine Lee Minor, Eugene, Ore.  
B.A. (University of Oregon)  
*Field of Specialization: Computer  
and Information Science*
- Gary Elwood Moore, Beverly  
B.S. (Tarleton State College)  
*Field of Specialization: Agricultural  
Education*
- Lynn Ellen Morris, Pittsburgh, Pa.  
B.A. (Case Western Reserve  
University)  
*Field of Specialization: Natural  
Resources*
- Natarajan Neelakantan,  
Tamilnadu, India  
B. Tech. (Indian Institute of  
Technology)  
*Field of Specialization: Electrical  
Engineering*
- \*Kathleen Alison Neverman, Solon  
*Field of Specialization: Computer  
and Information Science*
- John Allen Nikora, Amherst  
B.S. (Baldwin-Wallace College)  
*Field of Specialization: Chemistry*
- Carlos Alberto Nolasco,  
Rio de Janeiro, Brazil  
Diploma (Universidade Federal  
Fluminense, Brazil)  
*Field of Specialization: Metallurgical  
Engineering*
- Nancy Jean Noonan, Rocky River  
B.S. (University of Dayton)  
*Field of Specialization: Home  
Economics*
- Susan Tarantur Outterson,  
Urbana, Ill.  
B.A. (Northwestern University)  
*Field of Specialization: Mathematics*
- Samuel Charles Palumbo, Jr.,  
Columbus  
B.S.  
*Field of Specialization: Mathematics*
- Rhea Samuel Peden, New Albany, Ind.  
B.S. (Ball State University)  
*Field of Specialization: Computer and  
Information Science*
- Michael Joseph Piccardo,  
Sunnyvale, Calif.  
B.S. (University of Santa Clara)  
*Field of Specialization: Computer and  
Information Science*
- Marie Ploeger Prins, Columbus  
B.S. (University of Minnesota)  
*Field of Specialization: Electrical  
Engineering*
- William Edward Ratz, Columbus  
B.A. (Miami University); M.S.  
*Field of Specialization: Industrial  
Engineering*
- Alan Kent Reichert, Columbus  
B.S. in Bus. (Miami University)  
*Field of Specialization: Agricultural  
Economics and Rural Sociology*
- Mary Kathryn Reinhard, Dublin  
B.S.Agr.  
*Field of Specialization: Animal  
Science*

\*Also Bachelor of Arts, Colleges of the Arts  
and Sciences

- John McCune Rice, Euclid  
B.S.  
*Field of Specialization: Microbiology*
- Lawrence Thomas Ricer, Jr.,  
Jerusalem  
B.S. Agr.  
*Field of Specialization: Agricultural  
Education*
- Preston Purdy Richmond, Belpre  
O.D.  
*Field of Specialization: Optometry  
(Physiological Optics)*
- Mary Jean Rickenberg, Napoleon  
B.S.Ed. (Bowling Green State  
University)  
*Field of Specialization: Home  
Economics*
- Timothy Lee Riley, Frazeeburg  
B.S. (Muskingum College)  
*Field of Specialization: Civil  
Engineering*
- Suemma Riskey, Columbus  
B.S.Nurs.  
*Field of Specialization: Nursing*
- Martha Sue Finkel Rock, Zanesville  
B.S. (Alderson-Broadus College)  
*Field of Specialization: Nursing*
- Yea Sang, Taipei, Taiwan  
B.S. (National Taiwan University)  
*Field of Specialization: Medical  
Microbiology*
- Philip Loren Sannes, North Canton  
B.A.  
*Field of Specialization: Anatomy*
- Bryan Wilfred Schurle, Green, Kan.  
B.A. (Kansas State Teachers College)  
*Field of Specialization: Computer and  
Information Science*
- Frederic Clifton Schwartz, Fairborn  
B.S. (Florida Institute of Technology)  
*Field of Specialization: Industrial  
Engineering*
- Alfred Pak-Quan Shen, Hong Kong  
B.S. (Saint Edwards University  
and Maryhill College)  
*Field of Specialization: Zoology*
- Maureen Alexa Sherer,  
Indianapolis, Ind.  
B.S. (Purdue University)  
*Field of Specialization: Chemistry*
- Emerson Ray Shimp, Baltimore  
B.S.Agr.  
*Field of Specialization: Agricultural  
Education*
- Reed Douglas Slevin, Pittsburgh, Pa.  
B.S.Cer.E.  
*Field of Specialization: Ceramic  
Engineering*
- Betty Jean Smith, Charleston, W. Va.  
B.S. (Alderson-Broadus College)  
*Field of Specialization: Nursing*
- Charles Hartzell Stahl, Radnor, Pa.  
B.S. (Union College)  
*Field of Specialization: Electrical  
Engineering*
- Gary Robert Statler, Centerburg  
B.S.Met.E. (University of Cincinnati)  
*Field of Specialization: Metallurgical  
Engineering*
- Frank Burton Steel, Evergreen  
Park, Ill.  
B.S. (University of Illinois)  
*Field of Specialization: Chemistry*
- Andrew Lytle Stergiades,  
Birmingham, Ala.  
B.S.I.E. (University of Alabama)  
*Field of Specialization: Computer and  
Information Science*
- Kenneth Francis Szczesny,  
Detroit, Mich.  
B.S. (Michigan State University)  
*Field of Specialization: Computer and  
Information Science*
- Yuan-Kai Tang, Taipei, Taiwan  
B.S.E. (Taiwan Cheng Kung  
University)  
*Field of Specialization: Metallurgical  
Engineering*
- Carol Cross Taylor, Columbus  
B.S.H.E.  
*Field of Specialization: Home  
Economics*
- Thomas Craig Tecco, Grafton  
B.S. (Tri-State College)  
*Field of Specialization: Mechanical  
Engineering*
- Arthur Cassel Tinney,  
New Orleans, La.  
B.S. (Louisiana State University)  
*Field of Specialization: Mechanical  
Engineering*
- Thomas James Trimbur, Niles  
B.A. (Duke University)  
*Field of Specialization: Botany*
- Rajeswari K. Venkatraman,  
Madras, India  
B.S., M.S. (University of Madras)  
*Field of Specialization: Home  
Economics*
- Anne Louise Vore, Richmond, Va.  
B.S.N. (Medical College of Virginia)  
*Field of Specialization: Nursing*
- Linda Lewin Walkup, Columbus  
B.S.Nurs. (Capital University)  
*Field of Specialization: Nursing*
- Randall George Wangler, Toledo  
B.A. (University of Toledo)  
*Field of Specialization: Computer and  
Information Science*
- Richard Eric Wehnes, Glendale, Mo.  
B.A. (DePauw University)  
*Field of Specialization: Zoology*
- Paula Jean Wenger, Dayton  
B.S.Nurs.  
*Field of Specialization: Nursing*
- Mark Daniel Westbrook, Grove City  
B.S.Ch.E.  
*Field of Specialization: Chemical  
Engineering*
- Katherine Furbee Whinnery,  
St. Clairsville  
B.S.H.E.  
*Field of Specialization: Agricultural  
Education*
- Thomas Glen Whitham, Agency, Ia.  
B.S. (Iowa State University of  
Science and Technology)  
*Field of Specialization: Zoology*
- Roger Neal Whiting, Lima  
B.S. (Northern Illinois University);  
M.H.A. (University of Minnesota)  
*Field of Specialization: Preventive  
Medicine*
- Theodore Morgan Wille, Jr., Lakewood  
B.A. (Muskingum College);  
M.S. (Wright State University)  
*Field of Specialization: Preventive  
Medicine*
- Ellen Marie Wittekind, Grove City  
B.S.Nurs.  
*Field of Specialization: Nursing*
- Alex Po-Fai Wong,  
Halifax, N.S., Canada  
B.S.I.E.E. (University of Wisconsin)  
*Field of Specialization: Computer and  
Information Science*
- Frederick Ross Yaeger, Jr., Columbus  
B.S.  
*Field of Specialization: Computer and  
Information Science*
- Suek Han Yoon, St. Louis, Mo.  
D.D.S. (Seoul National University)  
*Field of Specialization: Dentistry*
- Galynn Dee Zitnik, Cleveland  
B.S.  
*Field of Specialization: Zoology*

**Master of Social Work**

**Three candidates**

Robin Jane Milstead, Zanesville

B.A.

*Field of Specialization: Social Work*

\*Ronald Stewart Rybak, Columbus

B.A.

*Field of Specialization: Social Work*

\*Stanley David Sells, Columbus

B.A.

*Field of Specialization: Social Work*

\*Also Master of City Planning, Graduate School

## **Colleges of the Arts and Sciences**

Chairman, Coordinating Council of Deans: Franklin P. Kilpatrick  
Vice Provost of the Arts and Sciences: Thomas A. Willke

The Colleges of the Arts and Sciences, a federation of five colleges, includes:

### **College of The Arts**

Dean: Lee Rigsby

### **College of Biological Sciences**

Dean: Richard Bohning

### **College of Humanities**

Dean: Arthur E. Adams

### **College of Mathematics and Physical Sciences**

Dean: Colin B. B. Bull

### **College of Social and Behavioral Sciences**

Dean: Franklin P. Kilpatrick

## **College of The Arts**

Dean: Lee Rigsby

### **Bachelor of Arts**

Ten candidates

Judith Ann Benezra, Mentor  
Kathleen Jean Dorchak, Solon  
Cheryl Walker Kutsko, Akron  
Philip Harry Leach, Rockford, Ill.  
Mark L. Lisson, Teaneck, N. J.  
Edmund Michael Meade, South Euclid  
Cheryl Ann Pollack, Maple Heights  
Kenneth John Snow, Columbus  
James Richard Wernecke, Columbus  
Ronald K. Wolfson, Pine Brook, N. J.

### **Bachelor of Fine Arts**

Thirteen candidates

Diane Spodarek Delbeke, Detroit, Mich.  
Kathryn Joan Drozda, Columbus B.A. (Ohio Dominican College)  
Becky Anne Frazier, Novelty  
Arnold Holmes, Mansfield  
Ernestine Hurt, Cleveland  
Michael Jerome Kennelly, Columbus  
Jane Berta King, Grove City  
Joe Allan Lambert, Columbus  
Rowena Pon, Poughkeepsie, N. Y.  
Mary Elizabeth Ricci, Columbus  
Helen Zborovsky Rudy, Columbus

Kevin Wallace Spence, Columbus  
Stephen Allen Troehler, Circleville

### **Bachelor of Music**

Three candidates

James Branson Bell, Greenville  
David Franklin Jones, Columbus  
B.S. (Otterbein College); M.S.  
\*Teresa Crone Stoldt, Columbus

### **Bachelor of Art Education**

Offered jointly by the  
College of The Arts and the  
College of Education

Ten candidates

Onalee Moseley Bodi, Columbus  
Janet Ilene Bush, Miami, Fla.  
Karen Jeanine Butler, Norwalk  
Cheryl Lynn Cesta, Grove City  
Deborah Jo Lepley, Columbus  
Janet Elizabeth Lowe, Columbus  
Linda Jean Meinen, Columbus  
Jody Ann Phillian, Columbus  
Christine Laura Skapik, Dayton  
Pamela Jane Thompson, Springfield

### **Bachelor of Music Education**

Offered jointly by the  
College of The Arts and the  
College of Education

Eleven candidates

Martha Everingham Boyse, Ridgeway  
Timothy D. Cochlin, Wapakoneta  
Margaret Lavonne Cramer Cooperider, Iberia  
Mary Jane Fahrenbruck, Tiffin  
Gary Frank Guzy, Sandusky  
John David Kennedy, Columbus  
Timm A. Mackley, North Canton  
Michael Eddie Merry, Caldwell  
Anne C. Puglisi, Columbus  
\*\*Teresa Crone Stoldt, Columbus  
Paul Frederick Zubrod, II, Columbus

### **Bachelor of Science in Industrial Design**

Three candidates

Richard Lee Kaylin, Bayside, N. Y.  
Mary Ann Kruger, College Park, Ga.  
Richard Guadalupe Tapia, Genoa

## **College of Biological Sciences**

Dean: Richard H. Bohning

### **Bachelor of Arts**

Eight candidates

Leonard Joseph Buck, Toledo  
Christopher Lee Burke, Columbus  
Michael Phillip Derin, Columbus  
Craig Warren Fisher, Columbus  
Paula Elizabeth Grimm, Columbus  
Henry David Millit, Bellaire  
Marguerite Ann Persi, Columbus  
John Joseph Zulliger, Lima

### **Bachelor of Science**

Forty-nine candidates

John Christopher Baker, Warren  
Howard Alan Bateman, Chicago, Ill.  
Joseph William Becker, Columbus  
Albert Jay Bick, Columbus  
Charles Austin Bowen, II, Bellevue  
Carl Leland Branscom, Westerville  
Deborah Ann Brockman, Cincinnati  
Mark Evans Bundesen, Columbus  
Lee Austin Cavano, Rocky River  
Terry Marc Dickson, Columbus  
Mark Steven Dreyfuss, Columbus  
Ronald Stephen Dzurec, Westlake  
Mary Lou Elliott, Marion  
James Lynn Frey, Lima  
Gail Howard, Ridgeway, N. J.  
Brent Alan Howe, Akron  
Gregory David Hrenya, Parma Heights

\* Also Bachelor of Music Education,  
Colleges of the Arts and Sciences  
\*\* Also Bachelor of Music, Colleges of  
the Arts and Sciences

Dale John Hudec, Hillsboro  
 Steven Alan Kah, Wapakoneta  
 Robert Bennet Klein,  
 Cleveland Heights  
 Karinlee Kneiler, Toledo  
 Joseph Edward Kole, Columbus  
 Cecil Ray Livingston, Columbus  
 John Michael Lombardi, Columbus  
 Robert James McClure, Wooster  
 Patrick Pel Yung Moh, Hong Kong  
 David Llewellyn Murray, Columbus  
 John Wesley Ness, Mansfield  
 Jane Elizabeth Paiement, Columbus  
 Mark Anthony Petruccio, Dover  
 Steven Craig Pettibone, Columbus  
 Daniel Joseph Prezioso, Niles  
 Clifford Scott Rohlke, Bedford Heights  
 Gordon Raymond Rudloff, Eastlake  
 Howard Briggs Sampson, Jr.,  
 Columbus  
 Mark William Sayre,  
 Hide-A-Way Hills  
 Timothy James Seidenwand, Cleveland  
 Alan Michael Sheinman,  
 Far Rockaway, N. Y.  
 Deborah Lynn Smeltzer, Worthington  
 Duane Milton Smith, Columbus  
 Kenneth Paul Spencer, Columbus  
 Michael Ethan Stein, Steubenville  
 Jean Lorene Swanger, Willoughby  
 Duncan McLeod Thorp, Columbus  
 Daniel Attilio Valleria, East Liverpool  
 Mary Kathryn VanGundy, Lancaster  
 David Lee VanHouse, Dayton  
 John Anderson Wehrly, Eaton  
 Jane Marie Wieder, Huntington, N. Y.

## College of Humanities

Dean: Arthur E. Adams

### Bachelor of Arts

Seventy-five candidates

Eric Conrad Abrahamsen, Marietta  
 Jean Loyd Adams, Columbus  
 Yvonne Ann Allums, Cleveland  
 Robert Miles Baker, Livingston, N. J.  
 Janice Wolfe Balsaon, Columbus  
 \*Marti Jean Bergstein, Cincinnati  
 Robin Nan Blackford, Dublin  
 Anthony Dwight Bobo, Columbus  
 John Charles Brackin,  
 Lower Burrell, Pa.  
 Cecil James Butler, Jr., Columbus

Rebecca McNeill Callender,  
 Bellefontaine  
 Jerry Lee Casebeer, New Philadelphia  
 Theresa Diane Dale, Columbus  
 Joseph Denney, Amanda  
 Susan Butterfield Donta, Columbus  
 James Michael Engle, Gahanna  
 \*Beverly Mae Finkel, Wellington  
 Janice Louise Fleischner, Rocky River  
 Vicky Fox, Columbus  
 Gehrig Barnett Franklin, Cincinnati  
 John Ellis Goldsmith, Marion  
 Marjorie Ann Greenhut,  
 Oceanside, N. Y.

Jonathan P. Greentree, Columbus  
 John Wilson Hartis, Columbus  
 Wayne Michael Hausmann, Westlake  
 Nancy Larsen Helmick, Cleveland  
 Michael R. Hitsman, Columbus  
 Lawrence Joseph Hollern, Columbus  
 Alice Jean Humbert, Fayette  
 Joe Stephen Kersey, Lebanon  
 Samuel Jay Kletter, Hallandale, Fla.  
 Jeffrey Allen Louthan, Columbus  
 Susan Arlene Lowry, Columbus  
 Kathleen Mudd Maggied,  
 West Jefferson  
 Joseph James Marko, Columbus  
 Paul Martin McIntire, Columbus  
 Faye W. Mellema, Worthington  
 Kenneth James Metzner, Columbus  
 Steven Wayne Michel, Columbus  
 Robert Aaron Miller, Columbus  
 Nicholas Anthony Mocas, Columbus  
 Patrick Owen Moore, Columbus  
 Thomas Alan Neundorf,  
 Fairview Park

Carol Lynn Nicolls, Columbus  
 Alonzo Lawrence Pearson, Columbus  
 Richard Alan Peters, Reynoldsburg  
 Amy Jane Peterson, Ashtabula  
 Thomas Paul Plassman, Napoleon  
 Lawrence Douglas Poteet,  
 Reynoldsburg  
 Richard Terrence Rettemnier,  
 Columbus  
 James Powell Rosenblatt, Beachwood  
 Sharon Lee Ruswinkle, Sylvania  
 Judy Lynn Sanders, Cleveland  
 \*Frances Ann Sarro, Warren  
 Robert Allen Schantz, Columbus  
 Barbara Hugney Schickling, Columbus  
 Nancy Lee Schmelzer, Lancaster  
 George Michael Sellati, Lima  
 John Ronald Shearer, Westerville  
 Scott William Smith, Toledo  
 Josephine Mary Stabile, Columbus  
 Stuart Bohn Supman,  
 New Orleans, La.

Abigail Elizabeth Syring, Flint, Mich.  
 Edward James Taaffe, Columbus  
 Alexander Michael Tihanyi, Cleveland  
 Gail Susan Trecker, Columbus  
 Timothy Michael Tulley, Mentor  
 Barbara Scribner Vaughn, Columbus  
 Mark Leslie Wagar, Avon  
 Tim Allen Willis, Marion  
 Donna Palmer Wilson, Columbus  
 Thomas Michael Wiswell,  
 Reynoldsburg  
 Donald A. Wolff, Columbus  
 Michael Joel Yanes, Skokie, Ill.  
 Linda Rochelle Zall, Edison, N. J.

## College of Mathematics and Physical Sciences

Dean: Colin B. B. Bull

### Bachelor of Arts

Nine candidates

Jeffrey William Arthur, Columbus  
 George Brande Elsass, Chillicothe  
 Robert Erik Kose, Pickerington  
 \*\*Kathleen Alison Neverman, Solon  
 Jeffrey Gay Smith, Mansfield  
 Gregory Atlee Stockert, Columbus  
 Christine Louise Terbeek, Columbus  
 George Thomas Westbrook, Columbus  
 Keith Allan Woodyard, Columbus

### Bachelor of Science

Twenty-five candidates

Gilbert Bargar Black, Columbus  
 David Neil Brown, Westerville  
 Charla Jo Woolf Calderhead,  
 Columbus  
 Rocco Detomo, Jr., Indialantic, Fla.  
 Daniel Diehr, Columbus  
 Gary Louis Eginton, Hopelawn, N. J.  
 Michael Lynn Finefrock, Robertsville  
 James Martin Hartshorne, Akron  
 Gary Lee Higdon, Akron  
 Carl David Kantor, Warren

\* Also Bachelor of Science in Education,  
 College of Education  
 \*\* Also Master of Science, Graduate School

Henry Brinkman Kline, Columbus  
 John Frank Kozlowski, Cleveland  
 Yu Bong Lee, Columbus  
 Dallas Terry Lower, Columbus  
 Robert Lawrence Mains, Columbus  
 Ronald Kenat Moore, Columbus  
 Lewis John Newhard, Columbus  
 Jeffrey Ray Palmer, Bucyrus  
 Gary Philip Pietrangelo, Mt. Vernon  
 B.A. (Miami University)  
 Ronald David Selby, Middletown  
 William Dean Smith, Columbus  
 James Thomas Spaeth, Cincinnati  
 Timothy Kirk Staker, Mansfield  
 Jerry Walter, Mentor  
 Jeffrey Tod Wysel, Columbus

## College of Social and Behavioral Sciences

Dean: Franklin P. Kilpatrick

### Bachelor of Arts

One hundred and forty-four candidates

Patrick Joseph Agnew, Columbus  
 Rebecca Smith Albers, Groveport  
 Charles Fred Allbery, Kettering  
 Michael Jason Amsel, South Euclid  
 Randy Earl Baker, Kansas  
 Martha Dianne Bartter, Columbus Station  
 Elizabeth Ann Beebe, Marengo  
 Thomas Guthrie Bell, Columbus  
 Robert Leo Benjamin, Columbus  
 Wayne Barry Berzon, Skokie, Ill.  
 Girard Edward Besanceneay, III, Newark  
 John David Bilby, Columbus  
 James Dale Billings, Dayton  
 Gerald Lee Bloom, Columbus  
 Robert Douglas Bolinger, Vandalia  
 William Thomas Bolon, Jr., Westerville  
 Deborah Ann Braidic, Mentor  
 Michael Loren Burns, Galion  
 Harold Hopson Campbell, Columbus  
 Mary Ann Castillo, Springfield  
 John Peter Chiarelli, Canton  
 Jamie Lee Clayton, Westerville  
 Jeffrey Bruce Clellen, Shaker Heights  
 James Edward Daley, Lima  
 Craig Lynn Dame, Columbus

Gilbert Anton Darcy, Lagrange, Ill.  
 \*Carolyn Delbrugge Dawson, Columbus  
 Martin Harold Derrow, Columbus  
 Charles Joseph DeVirgilio, Columbus  
 Dennis Michael DiMartini, Pittsburgh, Pa.  
 Donald Lewis Dixon, Columbus  
 Sherman Micheal Dow, Columbus  
 Dennis Brooks Dumbauld, Chillicothe  
 Stienbant Dyer, Jr., Columbus  
 Christine Lucille Eberhard, Clyde  
 David Richard Edmiston, Kingston  
 Charles Jay Eisinger, Richmond Heights  
 Gloria Joyce Ennis, Springfield  
 Richard Thomas Ferko, McKees Rocks, Pa.  
 David Fulton Finney, Bloomfield, N. J.  
 John Roderick Flanigan, Columbus  
 Martin Lee Flicker, Columbus  
 Jeffery Charles Franklin, Cornwall, N. Y.  
 Francis Ambrose Fregiato, Martins Ferry  
 Kenneth Joseph Gagen, Columbus  
 \*\*Patricia Elaine Garrison, Newark, N. J.  
 Amy Christine Gasser, Logan  
 Susan Elizabeth Gaylor, Dayton  
 John Terry Gentry, Columbus  
 Patricia Torbron Geoghegan, Columbus  
 Linda Marie Georgeff, Columbus  
 Brian Leslie Gilbert, Worthington  
 Mitchell Jay Gilbert, Chicago, Ill.  
 Diane Peppler Gilhousen, Columbus  
 Alonzo Godfrey, Columbus  
 Amy Knight Goffee, Columbus  
 Anna Gottlieb, Columbus  
 Mary Ann Gray, Lisbon  
 Frank Grundy, Jr., Columbus  
 Roxie Ann Haas, Medina  
 Madeleine Wells Hall, Columbus  
 Mark Elliott Hammond, Canfield  
 Bradley Allen Hebble, Shelby  
 Lana Diane Hendershot, Whipple  
 James Wolstoncroft Henry, Columbus  
 David Alan Hiatt, Dayton  
 Timothy Paul Hildebrand, Massillon  
 Christine Kay Hill, Zanesville  
 Gary Everett Huneycutt, Columbus  
 Gareth Daniel Jenkins, North Lima  
 Herbert C. Johnson, III, Columbus  
 Robert Edward Kane, Baldwin, N.Y.  
 Robin Eric Kellough, Washington C.H.  
 Lenore Kligman, Jericho, N.Y.  
 Jon Carson Kundtz, Columbus  
 Kevin Michael Lawson, Middletown

Lawrence S. Levinson, Shaker Heights  
 Jeffrey Martin Lieberman, Columbus  
 Marilyn Irene Lubetsky, Pittsburgh, Pa.  
 Keith Scot Lynn, Brooklyn, N.Y.  
 Laura Marie Macpherson, Bay Village  
 Mona Marra, Wayne, N. J.  
 Sherril Romine Marshall, Columbus  
 Joseph Francis McDermott, Columbus  
 Craig Patrick Miller, Worthington  
 George Alfred Miller, Gahanna  
 Susan Inette Milligan, Columbus  
 Stephen Rufus Milsted, Zanesville  
 Robert Wesley Mintier, Mt. Vernon  
 Stephen Andrew Moore, Columbus  
 Erin Frances Moriarty, Columbus  
 Leon Ozebek, Columbus  
 Donald Lee Painter, Fort Recovery  
 Linda Jean Palmer, Columbus  
 Melody Lee Paul, Newark  
 Jayne Kimber Pearce, Columbus  
 Brenda Cheryl Pearlman, Canton  
 Sheri Lynn Perlman, Canton  
 Robert Neal Pierce, Columbus  
 Peggy Jolane Poling, London  
 Ann Sheedy Porter, Pickerington  
 Nancy Cole Ports, Columbus  
 Brian O'Donald Ressler, Arcanum  
 Gary Lynn Rhue, Columbus  
 Catherine Ann Rings, Amlin  
 Mark Jeffrey Rubin, Westbury, N.Y.  
 Marc Douglas Russell, North Canton  
 Phillip Craig Ryan, Worthington  
 Ronald Blaine Rymer, Columbus  
 Thomas Harold Sager, Johnstown  
 Jane Elizabeth Sandstrom, Parma  
 Lianne Louise Santellani, Worthington  
 Mary Kathleen Shanahan, Lima  
 James Jeffrey Sheard, Xenia  
 Philip Warren Skeeles, Canton  
 Gary Micheal Smith, Columbus  
 George Alan Smith, Amsterdam  
 Steven Joseph Smith, New Lexington  
 Susan W. Sonnenberg, Columbus  
 Jeffrey Phillip Spriesterbach, Mansfield  
 James Theodore Stanceu, North Canton  
 Jack Allan Stark, Columbus  
 Regina Harris Stone, Columbus  
 Michael Charles Sullivan, Cincinnati  
 Julian Michael Suso, Akron  
 James Patrick Thomas, Columbus  
 Timothy Stayner Tuttle, Columbus  
 Daniel Vainonen, Painesville

\*Also Master of Arts, Graduate School  
 \*\*Also Bachelor of Science in Education, College of Education



## College of Administrative Science

Dean: James R. McCoy

### Bachelor of Science in Business Administration

One hundred and fifty-eight candidates

Mark Joseph Andio, Youngstown  
Dennis Edward Anspach, Lima  
Mark Douglas Anthony, Columbus  
James Emanuel Austin, Columbus  
Michael Allen Bagi, Trotwood  
Dennis Duane Bahnsen, Newark  
Charles Ignatius Barracato, Solon  
Vaughn Edward Bateman, Columbus  
Richard Allan Beech, Wapakoneta  
Corwin Evert Belt, Columbus  
Thomas Gregory Bostwick, Columbus  
Wilson Norton Boyles, III, Lancaster  
Arnold Blaine Brandyberry,  
Youngstown  
David Bruce Brown, Bryan  
Thomas Palmer Brown, Akron  
Stewart Irvin Brownstein, Columbus  
Michael Dennis Bugeda, Brecksville  
James Alan Burden, Columbus  
Gary Marshall Burlin,  
University Heights  
James Franklin Burney, Cleveland  
Richard Franklin Buxton, Marietta  
Louis Vincent Cameron, Akron  
Charles John Cammock, III,  
Mayfield Heights  
Joseph Edward Cermak, Dillonvale  
Margaret Melinda Chandler,  
Cocoa Beach, Fla.  
Donald Henry Chmielewski, Fairborn  
Carl Timothy Clark, Columbus  
Scott Robert Clark, Gahanna  
Edward Lynn Collins, Cumberland  
Robert Lee Conklin, Marion  
John Howard Coy, Xenia  
Gerald Frank Cserbak, Cleveland  
Jeffery John Danitz, Buffalo, N. Y.  
Steven Eugene Day, Cincinnati  
Alphonse Ray DeBlasis, Bellaire  
Charles Alban DeLuca, Bellevue  
William James Di Blasi, Westerville  
Kenneth Henry DiRienzo, Canfield  
Dennis H. Douglas, Columbus  
Glenn Shelby Douglas, Dayton  
David Clare Dulmage, Columbus  
Bettie Lou Dunlap, Washington, D. C.  
Jeffrey Alan Dvorin,  
Berkeley Heights, N. J.  
William Joseph Edgar, Jr., Fairborn  
Donald Eugene Edwards, Chilo  
David Alan Ewing, Columbus  
Gail Victor Fankhauser, Jr.,  
Boyton Beach, Fla.

\*Also Bachelor of Science in Education,  
College of Education

James Anthony Varga, Columbus  
Diana Lynn Ward, Batavia  
Ann Helene Warth, Cincinnati  
Sandra Sue Weaver, Alliance  
Timothy Earl Wegner, Columbus  
\*Bruce Allen Weinstein,  
University Heights  
Susan Gajus Weis, Columbus  
Robert Don Weisenborn, Dayton  
Timothy James Wersel, Lebanon  
Linda Sue Wielgos, Enfield, Conn.  
Karen Kristine Williamson,  
Springfield  
Margery Anne Wilson, Columbus  
Evelyn Jean Wright, Wapakoneta  
Thomas Allen Yoakum, Bainbridge  
David Wayne Young, Xenia  
Karen Fae Zimmerman,  
Cuyahoga Falls

### Bachelor of Science

Eleven candidates

Richard Allen Bill, Richmond Heights  
Nancy Joslyn Bronson, Columbus  
Robert Reese Clippard,  
Huntington, W. Va.  
Louisa Ogden Dixon, Columbus  
Susan Kay Mastriana, Kettering  
Deborah Kay Phillipson, Hilliard  
Jesse Darden Pollard, Columbus  
Sharon Jean Rice, Columbus  
Mark Adam Shabsin, San Diego, Calif.  
Miriam Lamneck Spaeth, Columbus  
Charles Robert Wisler, Bryan

Thomas Dollison Ewing, Columbus  
Kathy Sue Fox, Columbus  
Thomas John George, Lakewood  
Ronald Stanley Gorski, Delaware  
Gareth Roger Graf, Xenia  
Patricia Ann Huston, Hebron  
James Edward Irwin, Columbus  
Craig Stephen James, Columbus  
Thomas Alan Kennedy, Columbus  
Dale Emil Leach, Columbus  
Steven Jay Levine, Columbus  
Phillip Alfred Long, Vero Beach, Fla.  
Harold Edward Looman, Steubenville  
Howard Robert McMunn, Columbus  
B.A.  
Teresa Ilene Meese, Dayton  
Danny Lee Muston, Newark  
Steven F. Patton, Jackson  
Elaine Ann Perkins, Columbus  
Carol Ann Piaseczny, Newark  
Sharon Lois Spolter, Columbus  
Lois Ann Tolley, Columbus  
Martin Duane Trussell, Columbus  
Lorelei Jane VanWey, Westerville  
John Francis Weadock, Columbus  
Jeffrey Richard Weiser,  
Huntington Station, N.Y.  
Neil Martin Winget, Wapakoneta  
Robert Alwyn York, Columbus

### School of Journalism

#### Bachelor of Arts in Journalism

Thirty-four candidates

Karen Jo Blocher, Cleveland  
Donna Miskin Brail, Columbus  
Karen Lynn Brandon, Columbus  
Beverly Ann Burge, Wellington  
James Michael Callihan, Columbus  
Michael Francis Curtin, Columbus  
David Jacob Daulton, Columbus

William Charles Faulds, Galion  
 Michael Gene Federer, Columbus  
 David Lee Forstthoffer, Cleveland  
 Carol Kincaid Fox, Columbus  
 Joseph Thomas Fritzky, Cleveland  
 Edward William George, Botkins  
 David Wilford Glenn, Erie, Pa.  
 Michael John Glenn, Cleveland  
 Beverly Jean Grimm, South Euclid  
 Robert Allen Grossman, Columbus  
 Edward Allen Haight, Jr., Ashtabula  
 Robert David Hall, Kettering  
 Donald Raymond Hanigosky, Parma  
 David John Harnicher, Warren  
 Thomas Charles Harrison, Columbus  
 James Anthony Hawking, Columbus  
 Allen Charles Hays, Westlake  
 Roy Bernard Henning, Jr., Columbus  
 David Douglas Heston, Akron  
 James Thomas Hlay, Columbus  
 Richard Morris Hosea, Cincinnati  
 Warren Lee Jagodnik, Wickliffe  
 Richard Proctor Jones, Marietta  
 Steven William Kant, Willoughby  
 Samuel Ray Karr, Chester  
 Timothy Michael Kelly,  
 Cuyahoga Falls  
 Danny Neal Kennard, Montezuma  
 Jon Reeves Kern, Middlesex, N. J.  
 Howard Henry Knapp, Shelby  
 Ronald Ray Koons, Columbus  
 Jack Lee Kruskamp, Columbus  
 Gary Stanley Kryk, Rochester, N. Y.  
 Donald Byrle Kuhr, Dayton  
 Gordon Neil Kuhr, Dayton  
 Jeffrey Enck Laird, Reynoldsburg  
 Jeffrey Lee Likover,  
 University Heights  
 Paul Martin Link, Vienna, Va.  
 Martin Joseph Lucki, Bridgeport  
 Mary Louise Luebke, Columbus  
 Robert Charles Lynch, Cincinnati  
 John Raymond Manley, East Rochester  
 Donald Maxwell McCann, Newark  
 Anne George McIntire, Columbus  
 Paul Eugene Meszaros, Columbus  
 Robert David Methé, Delaware  
 Craig Emerson Miller, Brunswick  
 Mark Evans Miller, Lindsey  
 John Michael Mills, Columbus  
 Richard Fredrick Mlasofsky, Columbus  
 David Vernon Moder, Columbus  
 Gregory Stanley Modzelewski,  
 Chesterland  
 Robert Brian Moloney, Columbus  
 Randall Joseph Montelone, Bridgeport  
 Michael Stephen Murphy, Akron  
 Nancy Lane Nafz, Columbus  
 Guy Edward Napier, Cincinnati

Joseph Gerard Nelson, Massillon  
 Ronald Karl Nims, Troy  
 Joseph Edward Olszewski,  
 North Royalton  
 Robert Ferguson Orr, Cleveland  
 John Matthews Pearce,  
 Warner Robins, Ga.  
 David Matthew Pikla, Barberton  
 James Russell Pitzer, Columbus  
 Robert Harold Pope, Columbus  
 Hal Kent Pryor, Columbus  
 Donna Marie Purzycki, Dayton  
 Thomas William Rabatin, Wadsworth  
 Louise Ellen Rathbun, Worthington  
 Bruce Allen Rathkamp, Milford  
 William Arthur Reddington,  
 Huntsville, Ala.  
 Jarren Scott Ringle, Sidney  
 Ralph Vincent Roberts, Columbus  
 Stephen Thomas Roberts, Worthington  
 William Thomas Rose, Columbus  
 James William Roudabush, Columbus  
 Donald Gregory Roush, Ironton  
 James Kernen Rush, Kettering  
 Arthur Roger Salyer, Jr., Columbus  
 Lawrence John Sarachene, Massillon  
 James Edward Savage, Worthington  
 James Carl Scartz, Columbus  
 Daniel Ellyson Schmidt, Cincinnati  
 Hans Carl Schumeyer, Toledo  
 Harry Franklin Sheraw, Lima  
 Leonard Russell Smith, Columbus  
 Richard Harter Snyder,  
 Shaker Heights  
 John Clifford Stalnaker, Columbus  
 James Robert Stelbasky,  
 North Olmsted  
 Paul Michael Stickel, Columbus  
 Michael David Stitzlein, Glenmont  
 Terry Lee Strong, Weirton, W. Va.  
 James Edward Studer, Lima  
 Deborah Kay Swanson, Dayton  
 Thomas Milton Thompson, Columbus  
 Konrad Stephen Tinius,  
 Camp Springs, Md.  
 John Joseph Tricomi, Niles  
 John Alan Trotter, Dover  
 Jeffrey Thomas Urbanski, Rossford  
 Frederick Richard Vernon, Lima  
 David Lee Virginia, Euclid  
 Darrell Leonomous Walker,  
 Middletown  
 Raymond Robert Wampler,  
 New Lebanon  
 Terry Lee Ward, Millbury  
 Scott Paul Wheeler, Brecksville  
 Russell Andrew White, Jackson  
 James Kurt Winterhalter, Kettering  
 Douglas Michael Wyer,  
 Sagamore Hills

Michael Thomas Yavorsky,  
 Hendersonville, N.C.  
 Ralph Matthew Zimmer, Cincinnati  
 Douglas Milton Zimmerman, Bellevue  
 Christine Louise Zone, Willoughby

## School of Social Work

### Bachelor of Science in Social Welfare

Forty-six candidates

Wendy Lynne Apgar, Columbus  
 Linda Sue Beal, Columbus  
 Norma Jean Bonen, Galion  
 Sue Ellen Browning, Cortland  
 Denise Alane Bytsura, Seven Hills  
 Joyce Cantisano, Rochester, N.Y.  
 Ann Wainwright Church, Bellefontaine  
 Ann Price Conkle, Logan  
 Margaret Searle Coulson, Columbus  
 Virginia Ann Davidson, Plain City  
 Jay Richard Denton, Columbus  
 James Michael DeSalle, Youngstown  
 Deborah Kerr Doeden, Hicksville  
 Diane Marie Edwards, Batavia  
 Vicki Lynn Ellis, Toledo  
 Ruth Anne Ellison, North Olmsted  
 Mary Ann Falvey, Kettering  
 Carole Weinstein Flaster,  
 Merrick, N.Y.  
 Sally Ann Freedman, Atlanta, Ga.  
 Angela Greta Golden, Cleveland  
 Deborah Murphy Harrison, Columbus  
 Marcia Ellen Howell, Baldwin, N.Y.  
 Brenda Yvonne Jamison, Peebles  
 Henry Lee Jenkins, Jr., Columbus  
 Mary Kennedy Lawson, Middletown  
 Janet Marie Dick Lerner, Columbus  
 Marilyn Eiseaman Markovich,  
 North Bergen, N.J.  
 Cindy Jean Miller, Galion  
 Susan Robinson Miller, Miamisburg  
 Gloria Christine Napper, Gahanna  
 Liane Marie Nelson, Reynoldsburg  
 David Allen Olds, Parma  
 Beverly Jane Pack, Columbus  
 Lou Ella Poteet, Reynoldsburg  
 Jackie Ullman Ralston, Circleville  
 Barbara Anne Schmidapp, Piqua  
 Kathleen Martha Schroeder,  
 Columbus Grove  
 Scott Harrison Sher, Columbus  
 Sandra Michelle Sternberg,  
 Hollandale, Fla.  
 Donald Albert Stevens, Toledo

## College of Agriculture and Home Economics

Dean: Roy M. Kottman

Rhonda Ann Tokash, Canton  
Sue Carolyn Goins Turton, Grafton  
Ruth Esther Weinrib, Columbus  
Kathy Jo Wilgus, West Mansfield  
Lynne Ann Williams, Fairview Park  
Anita Losey Wyner, Columbus

### Bachelor of Science in Agriculture

Seventy-two candidates

George Frederick Albright, Willard  
Steven Michael Atkins, Akron  
Jonathan Goodwin Auster, Dayton  
Robert Eugene Baker, Cleveland  
Hugh James Barr, Ashland  
Gary Beery, Richwood  
Alan Bruce Bigler, Parma Heights  
Keith James Boyd, Geneva  
Timothy Keith Buchs, Oberlin  
William W. Burns, Jr., Marysville  
Cheryl Ann Caputo, Solon  
Lawrence Golden Collins, Ironton  
Roger Eugene Darrach, Clarington  
Daniel Frederick Daugherty, Canton  
John Thomas Delong, Nevada  
David William Dirmeyer, Dola  
Gary Robert Doerr, Mansfield  
Hugh Delno Dresbach, Circleville  
Jonita Wargo Dysert, Caldwell  
Donald Gerard Dzurec, Rocky River  
Edward Arthur Emmert, Greenhills  
Richard Dennis Eshleman, Clyde  
Robert Howard Feldman  
Staten Island, N. Y.  
William Boyd Gainer, New Lexington  
\*Timothy Dale Gerber, Brecksville  
Vicki Jean Gilger, Shiloh  
Sarah Griffin Gold, Columbus  
Timothy Lee Hayes, Quaker City  
Gary Conrad Heet, Greenville  
Thomas Lee Hertlein, Vandalia  
Edward Joseph Hippely, Rome  
Norman Lynn Holley, Bowling Green  
Christopher William Jalkanen,  
Westlake  
Mark Alan Kelly, Bryan  
Gary Leonard Kruse, Ottawa  
Jeffrey Dale Layman, Kenton  
Jane Elizabeth Leasure, Gates Mills  
Steven Earl Longfellow, Greenville  
Gale LaMar Love, Fremont  
Eric Paul Mayer, Ashland  
Jack Dennis McGory, Ithaca, N. Y.  
Michael Patrick McPhee, Canfield  
Timothy Louis Menapace, Dover  
Gerald Emerson Mercer, Shiloh  
Louise Dora Michael, Minersville  
Robert Joseph Moore, Hamilton  
Ray Martin Oyer, Wauseon  
Gregory Carroll Pell, Columbus  
Gregory Wayne Pfeffer, Ripley  
Richard Michael Pitovak, Middlefield  
Stephen James Roberts, Tiffin  
Robert Alan Roch,  
Warrensville Heights  
Jack Allen Rohrbach, St. Marys

Lee Harris Rosenbaum,  
Mt. Vernon, N. Y.  
James Lee Sanford, London  
Connie Rush Searcy, Columbus  
William Scott Searcy, Cincinnati  
John Patrick Sheridan, Athens  
Ronald David Shover, Grove City  
Thomas Henry Slavik, Coldwater  
Thomas Lawrence Smith, Loveland  
David Lee Snyder, Arcanum  
Robert Raymond Steckel, Byesville  
Michael Brian Stefan, Columbus  
William Edwin Stone, Lucas  
Timothy Curtis Townsend,  
Delhi, N. Y.  
Sharon Hauff Ulrich, Columbus  
David Alan Westhoven, Lancaster  
Kenneth Edwin Witter, Crestline  
Mark Allen Yoder, West Liberty  
Douglas Lee Zehner, Ashland  
Michael Edward Zientek, Swanton

### Bachelor of Science in Dairy Technology

One candidate

Richard Henry Eltzroth, Dayton

### Bachelor of Science in Food Technology

Two candidates

Gary Allen Burtchin, Lima  
Stephen Earl Hauck, Columbus

### Bachelor of Science in Nutrition

Three candidates

William George Helferich, Parma  
Bruce Warren Hollis, Elyria  
Susan Jane Matre, Cincinnati

\*Also Master of Science, Graduate School

## College of Education

Dean: Donald P. Anderson

### School of Natural Resources

#### Bachelor of Science in Natural Resources

Fifteen candidates

Robert Stephen Baker, Kettering  
William Crane Beattie, Columbus  
Robert Harold Bowman, Columbus  
Stephen Joseph Buening, Columbus  
Frederick Meade Evans, Springfield  
Clair March Forrest, Tiffin  
Gary Richard Hepp, Cincinnati  
Richard Howard Johnson, Columbus  
James Albert Schneider, Bedford Heights  
James Michael Shilling, Ada  
Stephen Charles Smith, Findlay  
Daniel Paul Stickler, Columbus  
Dale Gilbert Thompson, Jr., Columbus  
James Ray Wentz, Kenton  
Richard Harold Wepler, Jr., Wooster

### School of Home Economics

#### Bachelor of Science in Home Economics

Sixty-one candidates

Pamela Jane Ault, Columbus  
Deborah Elder Bagenstose, Columbus  
Dorian Chaney Bauerle, Westlake  
Karen Brown Baumann, Kettering  
Kimberly Elizabeth Bell, Wadsworth  
Cynthia Carol Bender, Parma Heights  
Sheila Bloom, Beachwood  
Janet Shawver Callender, Bellefontaine  
Deborah Joyce Clinger, Kenton  
Carol Jean Cole, Youngstown  
Anne Betty Conrad, Canton  
Jane Ellen Doak, Marietta  
Jennifer Meyer Drefahl, Cincinnati  
Sharon Murray Dugan, Old Fort  
Sherrie Kay Durbin, Piketon  
Constance Colleen Elliott, Mt. Victory  
Nancy Rowland Fender, Ravenna  
Lorraine Ann Friend, Hicksville  
Barbara Ann Glantz, Toledo  
Eliza Glover, Cleveland  
Vicki Joette Hancock, Cleveland  
Patricia Mintzer Hopkins, Columbus  
Kathryn Jean Irwin, Columbus  
Barbara Taylor Kelly, Warsaw  
Sandra Jane Kerr, Shelby  
Martha Lynne Kopp, Nashville, Tenn.  
Karen Marie Ledford, Columbus

Charlee Beth Lindsay, Westerville  
Susan Elaine Littleton, Sabina  
Christine Ann Lofgren, Columbus  
Jean Marie Maughlin, Columbus  
Diane Klespies McCann, Akron  
Gail Pogalies McDermott, Seven Hills  
Anne Katherine Millet, Troy  
Cheryl Ann Moffitt, East Liberty  
Gretchen Sebring Moriarty, Columbus  
Betty Ann Morris, Poland  
Nancy Seitz Mosholder, Columbus  
Sandra Jean Noletti, Wooster  
Jonie Sue Novotny, Dayton  
Marlene Baker Pitt, Newark  
Lynn Dudzik Podojil, Northfield  
Jill Denise Powell, Ada  
Rebecca Ann Reed, Cincinnati  
Alita Jean Risser, Grafton  
Rita Rae Root, Pickerington  
Vicky Linn Ross, Dayton  
Thomasine Grace Rossetter, Columbus  
Karen Marie Schiefer, Bucyrus  
Georgina Witwer Shahan, Greenville  
Jeanetta Petry Sinzinger, Columbus  
MaryLou Straka, Parma  
Lori Marie Susyne, Seven Hills  
Anne Taylor, Columbus  
Karen Sue Turner, Marion  
Jan Lee Umberhour, Westlake  
Mary Lally Verhoff, Columbus  
Rebecca Jayne Warner, Newark  
Janet Rae Wollett, Westerville  
Kathie Eileen Woodward, Barnesville  
Linda Widman Wyer, Northfield

#### Bachelor of Science in Restaurant Management

One candidate

William Robert Havelec, Parma

### Bachelor of Science in Education

Three hundred and twenty-three candidates

Catherine Utz Albert, Shelby  
Carole Halley Alvarez, Columbus  
Jeffrey Clark Ames, Columbus  
Susan Elizabeth Andrews, Cincinnati  
Diane Rita Antoniak, Columbus  
Deborah Ann Archer, Ashville  
Nancy Felton Arthur, Columbus  
Hope Edith Asbury, Rochester, N. Y.  
Randall Wayne Ashbaugh, Columbus  
Patricia Richie Baker, Mansfield  
Christine Ann Barrington, Fremont  
Lynne Louise Barton, Franklin  
James Carl Beaver, Galena  
William Clifford Beinhrech, Shelby  
Michael Alex Beres, Columbus  
\*Marti Jean Bergstein, Cincinnati  
Debra Sanderson Berry, Marion  
Carolyn Blanchard Bohnlein, Columbus  
Ruth Ann Bolyard, Lima  
Allen R. Bond, Belmont B.A.  
Arlene Stanek Bottenfield, Columbus  
Brenda Pace Bowman, Columbus  
Paula Louise Bozzacco, Massillon  
Sally Joan Brady, Marion  
Patricia Ann Brannan, Toledo  
James Robert Braun, Troy  
Laura Lee Brown, Mt. Gilead  
Karen Lynne Bruccoli, Youngstown  
Cert. Grad. Dent. Hyg.  
Cindy Lou Brunton, Columbus  
Cynthia Valentine Bucher, Leipsic  
Marilyn Jean Bucklew, Columbus  
Brenda Withington Bull, West Richfield  
Carolyn Loraine Bunke, Cridersville  
Debra Kay Bussard, Columbus  
Diane Butler, Sandusky  
Kathy Wright Campbell, Kettering  
William H. Campbell, Columbus  
Annette Hugo Candel, Bucyrus  
Jean Lavonne Carnahan, Wilmington  
Robert Winston Carroll, Shaker Heights  
Stephen Dale Cavin, Trenton  
Susan Barbara Chaplik, Lincolnwood, Ill.  
Judith Elaine Chapman, Columbus  
Mary Morrison Charles, Marysville  
Gary Lynn Chiero, Grove City  
Candy Henson Clark, Columbus  
Sue Milleson Clark, Worthington  
Sue Weller Cline, Grove City

\*Also Bachelor of Arts, Colleges of the Arts and Sciences

Mary Barlow Clouse, Lucas  
 Mary Elizabeth Conway, Columbus  
 Sue Ann Cooke, Fremont  
 Cheryl Joan Coon, Lima  
 Michele Ann Cooper, Cincinnati  
 Eileen Anne Cox, Edison, N.J.  
 Susan Kay Cox, Adams Mills  
 Darleen Mae Cramer, Columbus  
 Thomas Evan Curtis, Lorain  
 James Hoffman Daggett, II, Columbus  
 Annette Therese Daniel, Columbus  
 Larry Emmett Daniel, Columbus  
 Treva Mae Danison, Somerset  
 Mark Anthony Del Col, Columbus  
 Cheryl Leigh Deubner, Columbus  
 Nancy Carol Dodd, Marysville  
 Lissa Ellen Dollinger, Fairborn  
 Steven Dietmar Domsloy, Columbus  
 Rebecca Ann Dorinsky, Columbus  
 Grady Eugene Doughty, Columbus  
 Bonita McClelland Drake, Mt. Gilead  
 Suzanne Elizabeth Dressler,  
 Teaneck, N.J.  
 William Edward Dunaway, Jr.,  
 Columbus  
 Thomas Frederick Dunlap, Columbus  
 Paula Hiss Dunn, Marion  
 Stephen Earl Eaton, Columbus  
 Roger Edward Edens, Dublin  
 B.A.  
 Vivian Ruth Engelmann,  
 Bethesda, Md.  
 Diana Groh Ervin, Bellefontaine  
 Anthony Louis Farone, Parma  
 Gregory Earl Ferguson, Columbus  
 \*Beverly Mae Finkel, Wellington  
 Robert Edward Flood, Rocky River  
 Carl Sanford Friedland, Columbus  
 Philip Charles Frolin, Columbus  
 William Ellis Fullwiler, Columbus  
 Pamela Jean Fusner, Newark  
 Donald Paul Gaddis, Columbus  
 Peggy Ann Galloway, Reynoldsburg  
 \*Patricia Elaine Garrison,  
 Newark, N.J.  
 Sherri Gavlin, Tallahassee, Fla.  
 Mary Louise Georgiton, Columbus  
 B.A.  
 Fred Andrew Gibson, Columbus  
 Joan Dorff Gibson, Columbus  
 Janice Irene Gillespie, Columbus  
 Marcie Lyn Goldman, Youngstown  
 Nancy Ruth Gracely, Marion  
 Kathleen McAnally Graham, Columbus  
 Lorraine Ann Gratz, Lakeview  
 Phillip Charles Green, Vandalia  
 B.A., M.A.  
 Kathy Jo Griner, Troy  
 Cert. Grad. Dent. Hyg.  
 Carol Kiess Grove, Shelby

Cherita Underwood Groves, Edison  
 Janice Burkes Guess, Columbus  
 Alexandra Guliano, Niles  
 Linda Marie Gunter, Marion  
 William Victor Haefling, Columbus  
 Patricia Ann Halsey, Middletown  
 Betty Luther Hamblin, Mansfield  
 James Robert Haney, Pittsburgh, Pa.  
 Jimmie Lee Harris, Columbus  
 Susan Faye Harrison, Toledo  
 Marilyn Ruth Hathaway, Columbus  
 Shirley O'Neil Hawk, Lima  
 Claudia Ann Haydock, Dublin  
 Barbara Ellen Heilman, Mansfield  
 Charlene Smith Hellyer, North Canton  
 Terry Joseph Hempfling, Lima  
 Irene Mair Henry, Lexington  
 Kathryn Jean Henschel, New Bremen  
 Donna Jean Herbert, Marion  
 Michael John Hilber, Cleveland  
 Billy Alvin Hill, Columbus  
 Jeff Faulkner Hilson, III, Columbus  
 B.A. (Capital University)  
 Victoria Baze Hine, Columbus  
 Margaret Hayes Holgate, Worthington  
 Margaret Dautremont Honton,  
 Columbus  
 Barbara Joan Hopkins, Piqua  
 Patricia Dixon Hostetler, Columbus  
 Mildred Priebe Hoxworth, Lexington  
 Jean Suzanne Hubbard, Bedford  
 Maureen Frueh Hurlow, Botkins  
 Meale Ann Hurst, Havertown, Pa.  
 Barbara Cryan Hysell, Columbus  
 Pamela Miley Innes, Westerville  
 Nancy Lucas Jenkins, Beallsville  
 Kristine Antoinette Johanson,  
 Columbus  
 Anita Johnson, Hubbard  
 Janet Ullman Jones, Westerville  
 Linda Joanne Kahle, Delta  
 Roger Jay Katz, University Heights  
 B.A., M.A.  
 Mary Blimes Katzenbach, Columbus  
 Shelley Rose Kazan, Lyndhurst  
 Carol Louise Kearney, Avon  
 Thomas Patrick Keenan, Columbus  
 Shari Kelley, Columbus  
 James Timothy Kennedy, Mason  
 Daryl Ann Kidder, North East, Pa.  
 Elizabeth Case Kirk, Worthington  
 Carol Ann Klutch, Elida  
 Karen Beth Kostyn, Elyria  
 Carlene Jo Kramer, Shaker Heights  
 Carl Henry Krauskopf, III, Dayton  
 John Louis Krupla, Columbus  
 Charles Henry Kuhlman, Dayton  
 Susan Ailer Landfried, Ashland  
 Carla Warnecke Landin, Fort Jennings

Merle Rise Lapirow, Cincinnati  
 Cert. Grad. Dent. Hyg.  
 Patricia Atherton Larcomb, Shelby  
 Deborah Ann Lauber, Archbold  
 Sandra Roslyn Lawrence,  
 East Meadow, N.Y.  
 Goorley Newton Levering, Edison  
 Charles Emery Lew, Columbus  
 Sharon Ellen Light, Shaker Heights  
 Jacqueline Crumrine Litsey,  
 Wapakoneta  
 Beverly Elaine Loughner, Newark  
 Deborah Ann Lowman, Columbus  
 Linda Blansit Lowry, Newark  
 Charles Edward Lozano, Westerville  
 Pamela Lynne Lyles, Washington, D.C.  
 Margaret Mary Maag, Kalida  
 Jacqueline Evilsizor MacDonald,  
 Columbus  
 Jack Patrick Madden, Wapakoneta  
 Charles Howard Mader, Columbus  
 Nancy Whipple Main, Columbus  
 Donna J. Malainy, Shelby  
 David Lee Marbover, Louisville  
 B.S.  
 Marcia Fry Marbover, Columbus  
 Albert Edward Marignoni, Jr.,  
 Broadview Heights  
 Daniel William Marignoni,  
 Broadview Heights  
 Helen Thomas Mast, Columbus  
 Susan Gay Mathiason, Edina, Minn.  
 Linda Lou May, East Palestine  
 Philip Alan Mayer, Mansfield  
 Frank William Mayle, Columbus  
 Ralph Thomas McBride, Warren  
 Constance Bauer McDaniel,  
 Westerville  
 Paula Jean McDonald, Chardon  
 Walter Edward McEnery, III,  
 Columbus  
 Carol Merchant McKinley, Kenton  
 Debra Eileen Menchhofer, Celina  
 Richard Everett Metz, Zanesville  
 Nadine Pfeiffer Middendorf, Findlay  
 Diana Kay Milan, Columbus  
 Charles Allan Miley, Delaware  
 Mileta Collins Miller, Columbus  
 Christine E. Milum, Mansfield  
 Gretchen Rose Moler, Lima  
 Victoria Ann Moore, Grove City  
 Carolyn Ann Mulbay, New Albany  
 Joseph Edward Murphy, Jr., Parma  
 Marilyn Jean Myers, Salina  
 David Michael Nance, Columbus  
 Joan Willowenc Nehlsen, Granville  
 Robert Gerard Neubert, Euclid

\*Also Bachelor of Arts, Colleges of the Arts and Sciences

Charles Robert Newell, Jr., Marion  
 Norma Zorn Newell, Marion  
 La Verne Alice Nichols, Cleveland  
 Michael James Nishimura, Kettering  
 Diane L. Nisoff, Shaker Heights  
 Margaret Marshall O'Connell, Dayton  
 Mark Thomas O'Connor, Xenia  
 Deborah Kay Ogle, Lima  
 Joseph Wrink Orem, Powell  
 Eleanor Pearl Orenstein, Columbus  
 Kathleen Robbins Orr, Columbus  
 Susan Joy Overholt, Piqua  
 Kathy Sue Palestrant, Columbus  
 Cheryl Tana Parker, Orange, N.J.  
 James R. Payne, Montpelier  
 Melinda Kay Pelto, Findlay  
 Robert Earl Peters, Springfield  
 Veronica Malcolm Petru, Columbus  
 Timothy Gene Phillians, Marion  
 Barbara Jane Pierce, Camden, N.J.  
 B.A.  
 James Philip Pintz, Newark  
 Reginald Maurice Pitt, Newark  
 Anthony Porco, Steubenville  
 Laura Marie Porubsky,  
 Garfield Heights  
 Richard Gavin Poston, Columbus  
 Jennifer Mae Price, Brecksville  
 Dennis Ronald Radliff, Newark  
 Sue Ann Rankin, Fairview Park  
 Steven Gary Rapoport,  
 University Heights  
 J.C. Ratliff, Marion  
 Madeline Louise Rea, Gahanna  
 Adrienne Rich, Columbus  
 Cert. Grad. Dent. Hyg.  
 Angela Meyer Richards, Delaware  
 Patricia Ann Riehl, Columbus  
 James Andrew Ries, Columbus  
 David James Rihn, Dayton  
 Janice Ley Roberts, Lima  
 Katherine Joy Robison, McLean, Va.  
 Peter Andrew Robison, Columbus  
 Robin Peck Robson, Columbus  
 Sarah Beth Rose, Wellington  
 Marcia Nadine Rosen, Bronx, N.Y.  
 Sheila Terry Ross, Toledo  
 Alice Jungling Rostofer, Newark  
 Cynthia Marie Rothermel,  
 Villanova, Pa.  
 Jill Marie Rufo, Lorain  
 B.A.  
 Cheryl Miley Ruhl, Galion  
 Monica Alt Sanzo, Columbus  
 \*Frances Ann Sarro, Warren  
 Carl Weldon Schaaf, Galion  
 Susan Ann Schlecht, Columbus  
 Kathleen Jo Schleyer, Cincinnati  
 Deborah Kay Schottenstein, Columbus

Karen Lee Schreiber, Marion  
 Rebecca Dapper Schultz, Galion  
 Marian Vuyk Schumacher, Columbus  
 Rick Joseph Serge, Madeira  
 Jane Marie Sheldon, Bay Village  
 Sandra Gilmore Sheppard, Columbus  
 Thomas Ralph Sheppard, Columbus  
 Susan Jean Shireman, Galion  
 Phyllis Jean Shriver, Shreve  
 Elizabeth Ann Shub,  
 Cleveland Heights  
 Priscilla Treadwell Shutic, Avon Lake  
 Mary McGovern Sikora, Columbus  
 Joseph Jacob Silver, Dayton  
 Daphne Diane Sisson, Middletown  
 Eva Slomovic, Cleveland  
 David George Smith, Galion  
 Pamela Arthur Smith, Spencerville  
 Susan Louise Sosenko, Salem  
 Cert. Grad. Dent. Hyg.  
 Allan Drew Sowash, Mansfield  
 Janet Lynn Stehle, Columbus  
 Harold Lewis Stemen, Jr., Columbus  
 Christopher Carl Steve, Columbus  
 Robert Alan Stevens, Newark  
 Charles Thomas Storch, Reynoldsburg  
 Beverly Sue Strom, Mayfield Heights  
 Robert Earl Swift, Marion  
 Jacqueline Price Takacs, St. Clairsville  
 Michael Henry Tanner, Newark  
 Cynthia Suzanne Tawney, Middletown  
 Becky Sue Taylor, Wapakoneta  
 Mary-Jo Taylor, Mansfield  
 Susan Gayle Tedford, Cincinnati  
 Cert. Grad. Dent. Hyg.  
 Donna Malernee Terry, Columbus  
 Carolyn Clark Thompson,  
 Newcomerstown  
 Victoria Lynne Thompson, Zanesville  
 Cert. Grad. Dent. Hyg.  
 Mary Lee Tigner, Columbus  
 Julia Ann Treglia, Lima  
 Cathy Bee Tucker, Mansfield  
 Edee Lynn Turner, Waynesfield  
 Richard Douglas Uncapher, Marion  
 Paul Joseph Valine, Columbus  
 Carla Willemijn van der Hoeven,  
 Dayton  
 Deborah Isaly van Dommelen, Marion  
 Kay Ellen Van Niel, Amherst  
 Nora Maginn Van Riper, Marion  
 Dolores Ann Vitullo, Columbus  
 Susan Elaine Wade, Columbus  
 Donna June Wagner, Steubenville  
 Richard Harper Wakefield, Avon Lake  
 Peter Lawrence Walter, Grove City  
 Kristin Ruth Warren, Marion  
 Judith Elaine Weaver, Lima  
 Jane Marie Weekley, Columbus

\*Bruce Allen Weinstein,  
 University Heights  
 Janice Balk Weiser, Columbus  
 Cert. Grad. Dent. Hyg.  
 Dianna Lou Weller, Marion  
 Ann Tharp Wertz, Columbus  
 Linda Kay Whiting, Elmore  
 Linda Baker Wilcox, Columbus  
 Hannelore Gutwein Wilka, Columbus  
 Dolores Evans Williams, Heath  
 Jay Allen Willoughby, Berea  
 Dayle Lynn Wolfe, Mansfield  
 Carol Jean Wuenker, Columbus  
 Janice Faye Wunderle, Columbus  
 Hal Dean Wurthmann, Berlin  
 Cynthia Lee Yoder, Columbus

**Bachelor of Art Education and  
 Bachelor of Music Education  
 degree are offered jointly by the  
 College of the Arts and the  
 College of Education  
 Candidates are listed on page 21**

\*Also Bachelor of Arts. Colleges of the  
 Arts and Sciences

## College of Engineering

Dean: Harold A. Bolz

### Bachelor of Science in Aeronautical and Astronautical Engineering

One candidate

James Francis Lyons, Cleveland

### Bachelor of Science in Agricultural Engineering

One candidate

John Robert McKee, Euclid

### Bachelor of Science in Chemical Engineering

Five candidates

Patrick Lowell Berry, Columbus  
John Daniel Chmielewski, Toledo  
Carl Arthur Hofmann, Akron  
Luther Joseph Mills, III, Shadyside  
Richard Thurlow Schwarz,  
Cleveland Heights

### Bachelor of Science in Civil Engineering

Twenty-two candidates

Steven Barbour, Columbus  
Timothy Allan Bell, Quincy  
George Donald Biemel, Parma  
Ralph Dana Crabb, Columbus  
Bryan Courtney Curtis, Marietta  
Jerry Rodger Dailey, Grove City  
William Rodgers Feltz, Jr., Columbus  
Guerschon Mayer Galimidi,  
Brooklyn, N. Y.  
Joseph Lewis Gilbreath, Columbus  
Bruce Edward Goff, Martins Ferry  
Bruce Clifton Hills, Grafton  
Leslie Alan Karnes, Elyria  
Lavern Norbert Meyer, Ottawa  
Stephen Edward Rosebrook, Deshler  
Steven Carl Shimp, Columbus  
B.A. (Denison University)  
Gary Robert Short, Dover  
Jack Randall Smelker, Columbus  
Jerry Camden Swart, Columbus  
Jeffrey Alan Tarbuton, Columbus  
Leslie Eugene Thompson, Columbus  
Thomas Patrick Thornton,  
Youngstown

David Guy Webster, Painesville

### Bachelor of Science in Computer and Information Science

Fourteen candidates

Joseph Eugene Brehm, Columbus  
Ronald Erwin Bucher, Whitehouse  
Wayne Curtis Clark, Gallipolis  
Kenneth Donald Crebs, Columbus  
John Karl Farnlacher, Columbus  
Jay Edward Fleming,  
Winter Haven, Fla.  
William Victor Harper, Columbus  
Carolyn Swanson Hasbrouck,  
Columbus  
Dale Michael Kubacki, Willoughby  
Patrick A. Nuzum, Columbus  
Robert James Clinton Rice, Jackson  
Terrence Walter Ryan, Columbus  
Ronald Lee Smith, Cuyahoga Falls  
James Davis Veale, East Liverpool

### Electrical Engineer

One candidate

Edward Arthur Wilson,  
Kansas City, Mo.  
B.E.E.

### Bachelor of Science in Electrical Engineering

Nineteen candidates

William Anthony Albanese, Columbus  
Hamid Ashaary, Tehran, Iran  
Patrick Arthur Curran, Columbus  
B.S.  
Douglas Carl Dolch, North Olmsted  
James Lee Hefner, Columbus  
Keith A. Jamey, Columbus  
Fred Andrew Lovell, North Olmsted  
Cathy Mazgaj, Lorain  
Grant Carl Melocik, Chardon  
Eugene Jerome Meyer, Columbus  
Ray Arthur Overmyer, Amherst  
David Merlin Powell, Findlay  
John Clement Procario, Columbus  
John Wilfred Richards, II,  
Worthington

Olivier Henri Rinaldi,  
Caracas, Venezuela  
John Scott Steele, Gallipolis  
James Davis Veale, East Liverpool  
John Charles Werner, Genoa  
William Jay Wilke, North Olmsted

### Bachelor of Science in Industrial and Systems Engineering

Eleven candidates

David Wanner Barnitz, Columbus  
Donald Duane Borman, Lorain  
Rick Stephen Clark, Toledo  
David John Fuchik, Columbus  
Richard Wayne Garver, Columbus  
Kim William Lienberger, Lima  
Joseph Wood Londeree, III, Lancaster  
James Bertram Robinson, Galion  
Gary Lee Stevens, Columbus  
Stephen Milton Swearengin,  
St. Petersburg, Fla.  
Randall Thomas Wollam, Columbus

### Bachelor of Mechanical Engineering

Two candidates

Michael James Grimsley, Westerville  
Dennis John Justus, Columbus

### Bachelor of Science in Mechanical Engineering

Eighteen candidates

James Denny Albright, Mt. Vernon  
Gary Stephen Ash, Wooster  
Steven Glenn Conover, Cincinnati  
Farzin Gharabaghi, Tehran, Iran  
Stephen Curtis Hay, Dublin  
Michael David Heitkamp, Minster  
Jeffrey Daryl Hilleary, Columbus  
Thomas Doyle Hirt, Clyde  
Dennis Ralph Hoffer, Delaware  
Paul Herman Kreinbrink, Findlay  
Scott Eldridge Lambert, Columbus  
Charles Edwin Lyons, Springfield

<sup>1</sup> Also Bachelor of Science in Electrical Engineering, College of Engineering

<sup>2</sup> Also Bachelor of Science in Computer and Information Science, College of Engineering

<sup>3</sup> Also Master of Science, Graduate School

## College of Law

Dean: James C. Kirby, Jr.

James Albert Nagala, Oxford  
Howard Donald Ross, South Euclid  
Stephen Timm Sheridan, Columbus  
Stephen Earl Smith, Cincinnati  
Robert Leon Wacker, Wellington  
David Lee Wheeler, Columbus

### Bachelor of Science in Metallurgical Engineering

One candidate

Lawrence Edward Helm, Columbus

### Bachelor of Science in Welding Engineering

Two candidates

William Andrew Baeslack, III,  
Seven Hills  
Kenneth David Vaughan, Bucyrus

## School of Architecture

### Bachelor of Science in Architecture

Four candidates

Nancy Josephine Haydocy, Columbus  
Elton Earl Jones, Cincinnati  
Michael Lusk, Columbus  
Patricia Ann Runnels, Martinsville

### Bachelor of Science in Landscape Architecture

Three candidates

David Allen Matt, Cleveland  
Randall Otto Slabe, Parma  
B.S.  
Gary Lee Werkmeister,  
South Plainfield, N. J.

### Juris Doctor

Thirty-five candidates

James William Adair, III, Cincinnati  
B.S. (University of Cincinnati)  
Raymond Berry, Cincinnati  
B.S. (Xavier University)  
David Michael Buda, Medina  
B.A. (Kent State University)  
Douglas Richard Denny, Maple Heights  
B.S. (United States Merchant Marine  
Academy)  
Erwin Diener, Mansfield  
B.S. Ed.  
Thomas Arden Dillon, Marshall, Mich.  
B.S. in Ed. (Taylor University)  
David Peck Emmens, Mansfield  
B.A. (Kenyon College)  
Charles Joseph Taji Faruki, Dayton  
B.A. (University of Cincinnati)  
James Lewis Finebrock, Columbus  
B.M.E.  
Mark Allen Frost, Salem  
B.A.  
Carl Byron Fry, Columbus  
B.A.  
John Dexter Gardner, Cincinnati  
B.A. (Johns Hopkins University)  
Susan Dianne Garner, Columbus  
B.A.  
James Frederick Gatzke, Columbus  
B.A.  
William Allan Grim, Crestline  
B.A.  
William Collins Hicks, Springfield  
A.B. (Dartmouth College)  
Clara Jeanne Hudak, Cleveland  
A.B. (Saint Louis University)  
Joseph Fulton Hutchinson,  
Ann Arbor, Mich.  
A.B. (University of Michigan)  
Randall Lee Johnson, Hubbard  
B.A. (Ohio Northern University)  
Roger William Kienzle, Canton  
B.A. (Malone College)  
David Gary Latanick, Parma  
B.A. (Bowling Green State University)  
Dennis Daryl Liston, Columbus  
B.A. (University of Iowa)  
Philip Martin Manogg, Lakewood  
B.S.Bus.Adm.

Nancy Ashbrook Martin, Columbus  
B.A. (Ohio Dominican College)

James Shelby Nordholt, Jr., Tiffin  
B.S. Bus. Adm.

Wilbert James Outlaw, Cincinnati  
B.A.

Hubert Joseph Pries, Lexington  
B.S.Ed.

James Lee Rench, Germantown  
B.S. (Miami University)

George Carlton Rogers, Columbus  
B.S. (Ohio University)

George Willard Rooney, Jr., Akron  
B.S. (University of Virginia)

John Luther Ross, Canton  
A.B. (Ohio University)

Terry Lee Ross, Antwerp  
B.A.

Alan Bradley Schaeffer, Dayton  
A.B. (Hillsdale College)

Edward Frank Seidel, Jr., Columbus  
B.S. (Miami University)

Mark Wayne Sinkhorn, Kettering  
B.A.



## College of Medicine

Dean: Henry G. Cramblett, M.D.

### Doctor of Medicine

Eight candidates

Glenn Raymond Black, Akron  
B.S. (Bowling Green State University)

Gerald Allan Dysert, Summerfield  
B.S.

Helen Mary Giemza, Cleveland  
B.A. (Case Western Reserve  
University)

John Stanley Held, Cincinnati  
B.S. (Xavier University)

Gregory John Kundrat, Worthington  
A.B. (Harvard University)

Mark Edward Meany, Cleveland  
B.S. (Xavier University)

Thomas Lee Strachan, Bedford  
B.S. (Denison University)

Robert Jeffrey Zieve, Columbus  
B.A. (Miami University)

Susan Noreen Rogers, Steubenville  
Sydney Lee Samuel, Rocky River  
Susan Lee Schoeppner, Columbus  
Deborah Kay Smith, Yellow Springs  
Phyllis Rankin Sturtevant,  
Worthington  
Karen Elizabeth Voss, Waverly  
Patricia Marie Warnecke, Ottoville  
Nancy Kate Willard, Wellston

### Certificate of Post Baccalaureate Medical Technologist

Two candidates

Janice Waggoner Blackburn,  
Wintersville  
B.S.

Rebecca Agnes Creer, Salem  
B.S.

### School of Allied Medical Professions

#### Bachelor of Science in Allied Health Professions

Twenty-eight candidates

Karen Lee Adams, Gallipolis  
Susan Marie Sauner Carnahan,  
Columbus

Catherine Jo Clark, Chagrin Falls  
Susan Mahan Condit, Cuyahoga Falls  
Donald Michael Elliott, West Mansfield  
Patricia Alene Foster, Fort Belvoir, Va.  
Daniel Gene Gregory, Columbus

Phillip David Hoberty, Springfield  
Erin Theresa Keane, Steubenville  
Brenda Sue Kidder, Richmond, Va.  
Carole Ann Krichbaum, Mansfield  
Ellen Harrington LaVile, Worthington  
Deborah Sue Locke, Greenville

Susan Fueger Lowe, Fairborn  
Timothy Maynard, Westlake  
Rebecca Jo Roll McLearn, Greenville  
Mary Katherine Meixner,  
Fort Recovery

Jane Eilen Mesnard, Tiffin  
Ruth Gladys Plautz, Brecksville  
Ruth Ann Richards, Bronson, Mich.

### The School of Nursing

#### Bachelor of Science in Nursing

Seven candidates

Janet Gerlak Call, Columbus  
Deborah Ann Freese, Marion  
Nondalee Blue Gerken, Columbus  
Dorothy Jones Mason, Columbus  
Stephen Eugene Mason, Columbus  
Debra Niemeyer McFeely, Columbus  
Jeanette Ruth Newman, Columbus

## Graduates With Honors

### Summa cum laude

Corwin Evert Belt, Columbus  
Debra Sanderson Berry, Marion  
Cindy Lou Brunton, Columbus  
Louisa Ogden Dixon, Columbus  
John Dexter Gardner, Cincinnati  
Patricia Torbron Geoghegan,  
Columbus  
Janice Irene Gillespie, Columbus  
Carol Kiess Grove, Shelby  
William Victor Harper, Columbus  
Barbara Ellen Heilman, Mansfield  
Kathryn Jean Henschen, New Bremen  
David Franklin Jones, Columbus  
Mary Blimes Katzenbach, Columbus  
Joe Stephen Kersey, Lebanon  
Elizabeth Case Kirk, Worthington  
Carla Warnecke Landin,  
Fort Jennings  
Susan Arlene Lowry, Columbus  
Constance Bauer McDaniel, Chardon  
Anne Katherine Millet, Troy  
Diane L. Nisoff, Shaker Heights  
Ray Arthur Overmyer, Amherst  
Kathy Sue Palestrant, Columbus  
Richard Michael Pitorak, Middlefield  
Nancy Cole Ports, Columbus  
James Lee Rench, Germantown  
Rita Rae Root, Pickerington  
Frances Ann Sarro, Warren  
Rebecca Dapper Schultz, Galion  
Steven Carl Shimp, Columbus  
Priscilla Treadwell Shutic,  
Avon Lake  
James Theodore Stanceu,  
North Canton  
William Edwin Stone, Lucas  
Lori Marie Susyne, Seven Hills  
James Patrick Thomas, Columbus  
Julia Ann Treglia, Lima  
Sue Carolyn Goins Turton, Grafton  
John Anderson Wehrly, Eaton  
Dolores Evans Williams, Heath  
Lynne Ann Williams, Fairview Park  
Randall Thomas Wollam, Columbus

### Summa cum laude and with Distinction in Agronomy

Timothy Dale Gerber, Brecksville

### Summa cum laude and with Distinction in Natural Resources

Michael Brian Stefan, Columbus

### Cum laude

Jean Loyd Adams, Columbus  
Catherine Utz Albert, Shelby  
John Christopher Baker, Warren  
Patricia Richie Baker, Mansfield  
Elizabeth Ann Beebe, Marengo  
Judith Ann Benezra, Mentor  
Ruth Ann Bolyard, Lima  
John Charles Brackin,  
Lower Burrell, Pa.

Donna Miskin Brail, Columbus  
Rick Stephen Clark, Toledo  
David Jacob Daulton, Columbus  
Carolyn Delbrugge Dawson, Columbus  
Douglas Richard Denny,  
Maple Heights  
Martin Harold Derrrow, Columbus  
Donald Lewis Dixon, Columbus  
Jane Ellen Doak, Marietta  
Mary Jane Fahrenbruck, Tiffin  
Mary Ann Palvey, Kettering  
Charles Joseph Taji Faruki, Dayton  
William Rodgers Feltz, Jr., Columbus  
Martin Lee Flicker, Columbus  
Sally Ann Freedman, Atlanta, Ga.  
Francis Ambrose Fregiato,  
Martins Ferry  
Mark Allen Frost, Salem  
Pamela Jean Fusner, Newark  
Susan Dianne Garner, Columbus  
James Frederick Gatzke, Columbus  
Edward William George, Botkins  
Nondalee Blue Gerken, Columbus  
Joan Dorff Gibson, Columbus  
Amy Knight Goffee, Columbus  
Lorraine Ann Gratz, Lakeview  
William Allan Grim, Crestline  
Carolyn Swanson Hasbrouck,  
Columbus  
Thomas Lee Hertlein, Vandalia  
William Collins Hicks, Springfield  
Margaret Dautremont Honton,  
Columbus  
Marcia Ellen Howell, Baldwin, N. Y.  
Kathryn Jean Irwin, Columbus  
Kristine Antoinette Johanson,  
Columbus  
Robert Erik Kose, Pickerington  
David Gary Latanick, Parma  
Dennis Daryl Liston, Columbus  
Carol Merchant McKinley Kenton  
Debra Eileen Menchhofer, Celina  
Mark Evans Miller, Lindsey  
Susan Robinson Miller, Miamisburg  
Henry David Millitt, Bellaire  
Patrick Pel Yung Moh, Hong Kong  
Erin Frances Moriarty, Columbus  
Joan Willovene Nehlsen, Granville  
Kathleen Allison Neverman, Solon  
Norma Zorn Newell, Marion  
Carol Lynn Nicolls, Columbus  
Michael James Nishimura, Kettering  
Beverly Jane Pack, Columbus  
Sheri Lynn Perlman, Canton  
Timothy Gene Phillians, Marion  
Robert Neal Pierce, Columbus  
Thomas Paul Plassman, Napoleon  
Jill Denise Powell, Ada  
Anne C. Puglisi, Columbus  
J. C. Ratliff, Marion  
Robert Alan Roch,  
Warrensville Heights  
George Willard Rooney, Jr., Columbus  
Vicky Linn Ross, Dayton  
Thomas Harold Sager, Johnstown

Howard Briggs Sampson, Jr.,  
Columbus  
Barbara Hugney Schickling,  
Columbus  
Nancy Lee Schmelzer, Lancaster  
Deborah Kay Schottenstein Columbus  
Edward Frank Seidel, Jr., Columbus  
Jeanetta Petry Sinzinger, Columbus  
David George Smith, Galion  
James Thomas Spaeth, Columbus  
Josephine Mary Stabile, Columbus  
Janet Lynn Stehle, Columbus  
Jean Lorene Swanger, Willoughby  
Deborah Kay Swanson, Dayton  
Thomas Milton Thompson, Columbus  
Deborah Isaly van Dommelen,  
Marion  
Nora Maginn Van Riper, Marion  
Susan Elaine Wade, Columbus  
William Jay Wilke, North Olmsted  
Linda Widman Wyer, Northfield  
Anita Losey Wyner, Columbus  
Jeffrey Tod Wysler, Columbus  
Karen Fae Zimmermann,  
Cuyahoga Falls  
John Joseph Zulliger, Lima

### Cum laude and with Distinction in Animal Science

Thomas Lawrence Smith, Loveland

### Cum laude and with Distinction in City and Regional Planning

Sharon Jean Rice, Columbus

### Cum laude and with Distinction in Dairy Science

Alan Bruce Bigler, Parma Heights

### Cum laude and with Distinction in English

Patrick Owen Moore, Columbus

### Cum laude and with Distinction in Sociology

Lenore Kligman, Jericho N. Y.

### Cum laude and with Distinction in Spanish

Frances Ann Sarro, Warren

### With Distinction in Botany

James Lynn Frey, Lima

### With Distinction in Home Economics

Cheryl Ann Moffitt, East Liberty

Page 323 Blank

Page 324 Blank

THE OHIO STATE UNIVERSITY  
OFFICIAL PROCEEDINGS OF THE  
ONE THOUSAND AND NINETY-THIRD MEETING  
OF THE BOARD OF TRUSTEES

Columbus, Ohio, February 1, 1974

The Board of Trustees met at its regular monthly meeting on Friday, February 1, 1974, at The Ohio State University Fawcett Center for Tomorrow, Columbus, Ohio, pursuant to adjournment.

Present: John H. Dunlap, Acting Chairman, James W. Shocknessy, William C. Safford, M. Merle Harrod, John L. Gushman, Patricia D. James, and Chester Devenow.

\*

\*

\*

Minutes of the last meeting were approved.

\*

\*

\*

---

Upon motion of Mr. Safford, seconded by Mr. Harrod, Mr. John H. Dunlap was elected to preside at this meeting in the absence of the Chairman, Mr. Don M. Hilliker.

---

Mr. Dunlap acknowledged the presence of Mr. Ed Heinke and indicated his pleasure on behalf of the Board and thanked him for the wonderful publicity given the University in his recent articles on "Program 65."

---

RESOLUTIONS IN MEMORIAM

President Enarson reported to the Board the deaths of Esther Allen Gaw, Dean of Women Emeritus; Alan W. Hart, Head Athletic Trainer in the Department of Athletics, and Instructor in the School of Health, Physical Education, and Recreation; and Salvatore M. Marco, Professor Emeritus in the Department of Mechanical Engineering. In accordance with the instructions of the Board of Trustees, copies of the following resolutions expressing on behalf of the University the sorrow and sympathy of the Board will be furnished the families of the deceased.

A. Esther Allen Gaw

The Board of Trustees of The Ohio State University expresses its sorrow at the death on December 27, 1973, of Esther Allen Gaw, Dean of Women Emeritus.

Dean Gaw was born in Hudson, Ohio, December 28, 1879. She received a B.A. degree from Western Reserve University in 1910; and a Ph.D. degree from the University of Iowa in 1919. She was a sister of Judge Florence Allen, the first woman elected to the Supreme Court of Ohio in 1921. Mrs. Gaw served as Dean of Women at The Ohio State University for seventeen years. While holding this position she became interested in Spanish and attended freshman and advanced classes in the subject. She became so proficient in the language that in 1938 she was invited to visit Santiago, Chile, as a special lecturer in psychology.

Mrs. Gaw was named Dean of Women Emeritus when she retired on March 31, 1944. She was a member of the American Psychological Association, a Fellow in the American Association for the Advancement of Science, a member of Sigma Xi, Phi Beta Kappa, and Pi Lambda Theta. After retirement she made her home in California.

On behalf of the University, the Board of Trustees expresses to the family and her friends its deep sympathy and sense of understanding in their loss. It was directed that this resolution be inscribed upon the minutes of the Board of Trustees and that a copy be tendered to the family as a humble expression of the Board's heartfelt sympathy in its bereavement.

RESOLUTIONS IN MEMORIAM (continued)

B. Alan W. Hart

The Board of Trustees of The Ohio State University expresses its sorrow at the death of Alan W. Hart, Head Athletic Trainer in the Department of Athletics, and Instructor in the School of Health, Physical Education, and Recreation, on November 25, 1973.

Mr. Hart was born May 27, 1936, in Cleveland, Ohio. He lived his entire pre-college life in Cleveland, having graduated from Fairview Park High School in 1954. He was active in high school athletics and served as President of his Junior Class.

In the fall of 1954 Mr. Hart enrolled at Ohio University and in the spring of 1958, graduated from that school with a B.S. in Education degree. While in college he served as a student athletic trainer and became interested in this field as a profession.

Upon graduation from Ohio University, Mr. Hart was named Head Athletic Trainer at his alma mater. He remained in this position until August, 1971, when he was named Head Athletic Trainer at The Ohio State University.

During the time that Mr. Hart was associated with the Ohio State Athletic Department, he gained the complete respect and admiration of the athletes, coaches, and administrators for his knowledge and warmth shown to all. He was efficient, competent, and compassionate. Everyone who knew Mr. Hart liked him.

Last summer he was selected to be Head Trainer for the United States athletes competing in the World University Games in Russia.

On behalf of the University community, the Board of Trustees expresses to the family of Mr. Hart its deepest sympathy. It was directed that this resolution be inscribed in the minutes of the Board of Trustees and that a copy be sent to his family as a sincere expression of sympathy and respect.

C. Salvatore M. Marco

The Board of Trustees of The Ohio State University expresses its sorrow at the death of Salvatore M. Marco, Professor Emeritus in the Department of Mechanical Engineering, on December 15, 1973.

Professor Marco was born in Cleveland, Ohio, on December 19, 1907. He graduated from Cleveland's East Technical High School in 1926. He earned his Bachelor of Mechanical Engineering degree (1930) and his Master of Science degree (1932) from The Ohio State University. Professor Marco began his academic career at The Ohio State University in 1935 as an Instructor of Mechanical Engineering. He progressed rapidly to Assistant Professor

RESOLUTIONS IN MEMORIAM (continued)

C. Salvatore M. Marco (continued)

in 1940, Associate Professor in 1944, and Professor in 1947. He was appointed Chairman of the Department of Mechanical Engineering in 1952 and served with distinction until 1968, when he elected to return to the classroom and research.

Professor Marco dedicated his life to The Ohio State University and during his 35 years as a member of the faculty he made many outstanding contributions in teaching and research in the design and heat transfer area, in sixteen years as Chairman in active participation with the many committees through which the University functions, and in many national society committees which establish the criteria for the engineering profession.

His superlative teaching and consideration of his students is attested to by many spontaneous acclamations of former students. He was always available for counsel and consultation and all who knew him have felt the warmth of kindness.

His textbook on heat transfer was ahead of its time and was adopted by more than fifty colleges. This text was also translated and sold in foreign countries. His high quality technical papers and direct contributions have enhanced technical societies and the engineering profession.

In the past few years he developed a new program of teaching and research in engineering acoustics; timely for its contribution to improvement of our environment.

His character was unassailable. He set high standards on integrity, honesty, and moral values and then lived his daily life meticulously by them. This, with his total dedication to the University, led him to membership and leadership in the highest level councils.

His influence on our civilization is ensured by his direction of at least thirty-five doctoral dissertations and scores of master's theses. At least twenty of his former advisees serve on no less than thirteen college faculties and many are leaders in research and industry.

On behalf of the University community, the Board of Trustees expresses to the family of Salvatore M. Marco its deepest sympathy. It was directed that this resolution be inscribed in the minutes of the Board of Trustees and that a copy be tendered to Mrs. Salvatore Marco as a sincere expression of sympathy and respect.

\*

\*

\*



February 1, 1974 meeting, Board of Trustees

President Enarson presented the following recommendations:

I. GENERAL RECOMMENDATIONS

A. Revision of Rules 41.15, 47.05, 47.07, 47.09, and 47.11 of Rules for the University Faculty

In order to make the Rules for the University Faculty compatible with the recently enacted Amended Substitute Senate Bill 1, 110th General Assembly, establishing 18 years as the age of majority within the State of Ohio, President Enarson proposed that the Rules for the University Faculty be modified as follows:

41.15. Student Addresses.

At the time of registration each student shall submit to the Office of Registration and Records the address of the person who should be notified in case of emergency and his local address. All subsequent changes to these addresses shall be promptly reported to the Office of Registration and Records as long as he is currently enrolled at the University.

47.05. Academic Warning.

Section 1. Any student who has never attended another college or university and who seeks to enroll as a new freshman in this University shall be placed on special warning when his application for admission is received and processed if his academic credentials indicate the probability of low achievement. He shall be so informed before final registration and the payment of fees are completed, except as provided in Rule 47.11. The fact that special warning has been given shall be made known to the office of the College or School to which he seeks admission.

Section 2. If, at the end of any quarter, a student subject to the provisions of Rule 47.03 has accumulated deficiency points in the range from one through fourteen, he shall receive a warning from the Dean of his College, or the Director of his School, except as provided in Rule 47.11.

47.07. Academic Probation.

Section 1. Any student who has accumulated fifteen or more deficiency points shall be placed on probation. The probation shall continue provided the student's college considers his progress to be satisfactory and shall be removed when he has reduced his deficiency points to fourteen or

February 1, 1974 meeting, Board of Trustees

I. GENERAL RECOMMENDATIONS (continued)

A. Revision of Rules 41.15, 47.05, 47.07, 47.09,  
and 47.11 of Rules for the University Faculty (continued)

47.07. Academic Probation.

fewer. The student shall be notified of probationary status by the Dean of the College or the Director of the School in which he is registered, except as provided in Rule 47.11. Such notification shall include a clear statement of what shall be considered to be satisfactory progress.

Section 2. Probation by special action. If at any time the preparation, progress, or success of a student in his academic program is determined to be unsatisfactory, the College or School in which the student is registered shall be empowered to place him on academic probation.

47.09. Academic Dismissal.

Section 1. If the student's College or School considers a student's progress as unsatisfactory in meeting the conditions placed on his probation the College or School shall be empowered to dismiss him from the University. An exception to this authority for undergraduate professional students shall be in accordance with Rule 47.03, Section 1. Notice of the dismissal shall be sent to the student by the Dean of the College or the Director of the School in which the student was registered for the quarter, except as provided in 47.11. No student shall be subject to academic dismissal unless he is currently on probation.

47.11. Notice of Dismissal.

Notice of dismissal from the University shall be sent by the Dean of the College in which the dismissed student is registered.

Upon motion of Mr. Safford, seconded by Mr. Gushman, the Board of Trustees approved the foregoing recommendation by unanimous voice vote.

February 1, 1974 meeting, Board of Trustees

I. GENERAL RECOMMENDATIONS (continued)

B. 1973-1974 Budget Second Quarter Reconciliation  
(Quarter Ended December 31, 1973)

Based upon the experience of the second quarter, the University's estimated income for the fiscal year will be \$285,948,000 which represents only a slight modification from an income of \$285,851,000 that was anticipated and approved by the Board on September 7, 1973.

There were some significant variations in the individual sources of income. Increases were primarily associated with a larger enrollment than anticipated this past Autumn Quarter and the concomitant increases in the state instructional subsidy, student fees, and housing revenue. The endowment income would appear to be significantly larger than anticipated due to an increase in the number of gifts as well as earnings. Intercollegiate Athletics was also increased due to a modification in the accounting and reporting procedures. These increases were largely offset by decreases in federal grants and contracts funds due to program reductions.

The budget expenditure program has been modified to be commensurate with the changes in the activities within the areas in which the modifications of income were experienced.

President Enarson recommended that the sources of income and the budget as presented on the attached tables be approved.

Upon motion of Mr. Harrod, seconded by Mr. Safford, the Board of Trustees approved the above recommendation by unanimous roll call vote.

\*

\*

\*

II. PERSONNEL ACTIONS

Personnel actions since the December 7, 1973 meeting of the Board, as recorded in the official "Salary Roll" of the University, include the following Appointments, Leaves of Absence Without Salary, and Emeritus Titles:

A. Appointments

Edward H. Bowman, Dean, College of Administrative Science, effective September 1, 1974, at a salary of \$38,568.00 per annum.

Frederick R. Cyphert, Dean, College of Education, effective July 1, 1974, at a salary of \$37,968.00 per annum.

SOURCES OF INCOME FOR THE 1973-74 BUDGET

	Budget Approved September 7, 1973	Revised Budget December 31, 1973	Difference
<b>Current General Unrestricted</b>			
Columbus Campus			
Instructional Subsidy	\$ 72,417,000	\$ 73,482,000	\$1,065,000
Student Fees	43,614,000	43,735,000	121,000
Earnings Operations	4,718,000	4,718,000	-0-
Temporary Investments	1,700,000	1,700,000	-0-
All Other	1,616,000	1,616,000	-0-
Total Columbus Campus	<u>\$124,065,000</u>	<u>\$125,251,000</u>	<u>\$1,186,000</u>
Regional Campuses			
Lima Campus	\$ 1,572,000	\$ 1,680,000	\$ 108,000
Mansfield Campus	1,482,000	1,603,000	121,000
Marion Campus	985,000	961,000	(24,000)
Newark Campus	1,326,000	1,397,000	71,000
Agricultural Technical Institute	770,000	794,000	24,000
Total Regional Campuses	<u>\$ 6,135,000</u>	<u>\$ 6,435,000</u>	<u>\$ 300,000</u>
Departmental Earnings	\$ 5,419,000	\$ 5,419,000	\$ -0-
University Services	2,144,000	2,144,000	-0-
Total Unrestricted	<u>\$137,763,000</u>	<u>\$139,249,000</u>	<u>\$1,486,000</u>
<b>Current General Restricted</b>			
Endowments	\$ 1,700,000	\$ 1,950,000	\$ 250,000
Federal Grants and Contracts	45,500,000	42,240,000	( 3,260,000)
Ohio Grants and Contracts	2,200,000	2,200,000	-0-
Engineering Experiment Station	1,865,000	1,865,000	-0-
Development Fund	3,100,000	3,100,000	-0-
Other Private Gifts and Grants	1,850,000	1,850,000	-0-
Conference Accounts	1,200,000	1,200,000	-0-
Total Restricted	<u>\$ 57,415,000</u>	<u>\$ 54,405,000</u>	<u>(\$3,010,000)</u>
<b>Current General Auxiliaries</b>			
Cooperative Extension	\$ 12,317,000	\$ 12,317,000	\$ -0-
University Hospitals	48,515,000	48,515,000	-0-
Student Housing	12,994,000	13,924,000	930,000
Intercollegiate Athletics	4,809,000	5,500,000	691,000
University Bookstores	2,630,000	2,630,000	-0-
Student Unions	1,439,000	1,439,000	-0-
Parking Facilities	1,480,000	1,480,000	-0-
Fawcett Center	922,000	922,000	-0-
Facilities Services	1,974,000	1,974,000	-0-
Dairy and Meats Laboratories	2,076,000	2,076,000	-0-
University Airport	1,008,000	1,008,000	-0-
Other	509,000	509,000	-0-
Total Auxiliaries	<u>\$ 90,673,000</u>	<u>\$ 92,294,000</u>	<u>\$1,621,000</u>
Total Current General Funds	<u>\$285,851,000</u>	<u>\$285,948,000</u>	<u>\$ 97,000</u>

BUDGETS FOR THE 1973-74 YEAR

	Budget Approved September 7, 1973	Revised Budget December 31, 1973	Difference
<b>Current General Unrestricted</b>			
Columbus Campus			
Personnel Services	\$101,206,000	\$102,478,000	\$1,272,000
Operating and Equipment	22,060,000	22,558,000	498,000
All Other	5,756,000	5,475,000	(281,000)
Total Columbus Campus	<u>\$129,022,000</u>	<u>\$130,511,000</u>	<u>\$1,489,000</u>
Regional Campuses			
Administration	\$ 131,000	\$ 116,000	\$ (15,000)
Lima Campus	1,401,000	1,430,000	29,000
Mansfield Campus	1,306,000	1,395,000	89,000
Marion Campus	851,000	874,000	23,000
Newark Campus	1,177,000	1,214,000	37,000
Agricultural Technical Institute	671,000	680,000	9,000
Total Regional Campuses	<u>\$ 5,537,000</u>	<u>\$ 5,709,000</u>	<u>\$ 172,000</u>
Departmental Earnings	\$ 5,323,000	\$ 5,323,000	\$ -0-
University Services	2,133,000	2,133,000	-0-
Research Foundation Administration	1,530,000	1,530,000	-0-
Total Unrestricted	<u>\$143,545,000</u>	<u>\$145,206,000</u>	<u>\$1,661,000</u>
<b>Current General Restricted</b>			
Endowments	\$ 1,000,000	\$ 1,250,000	\$ 250,000
Mershon Center	700,000	700,000	-0-
Federal Grants and Contracts	41,295,000	37,860,000	( 3,435,000)
Ohio Grants and Contracts	2,200,000	2,200,000	-0-
Engineering Experiment Station	1,735,000	1,735,000	-0-
Development Fund	3,100,000	3,100,000	-0-
Other Private Gifts and Grants	1,834,000	1,834,000	-0-
Conference Accounts	1,200,000	1,200,000	-0-
Total Restricted	<u>\$ 53,064,000</u>	<u>\$ 49,879,000</u>	<u>(\$3,185,000)</u>
<b>Current General Auxiliaries</b>			
Cooperative Extension	\$ 12,317,000	\$ 12,317,000	\$ -0-
University Hospitals	46,721,000	46,721,000	-0-
Student Housing	12,994,000	13,924,000	930,000
Intercollegiate Athletics	4,809,000	5,500,000	691,000
University Bookstores	2,630,000	2,630,000	-0-
Student Unions	1,838,000	1,838,000	-0-
Parking Facilities	1,480,000	1,480,000	-0-
Fawcett Center	922,000	922,000	-0-
Facilities Services	1,974,000	1,974,000	-0-
Dairy and Meats Laboratories	2,076,000	2,076,000	-0-
University Airport	972,000	972,000	-0-
Other	509,000	509,000	-0-
Total Auxiliaries	<u>\$ 89,242,000</u>	<u>\$ 90,863,000</u>	<u>\$1,621,000</u>
Total Current General Funds	<u>\$285,851,000</u>	<u>\$285,948,000</u>	<u>\$ 97,000</u>

February 1, 1974 meeting, Board of Trustees

II. PERSONNEL ACTIONS (continued)

A. Appointments (continued)

John P. Schoessler, Assistant Dean and Assistant Professor, College of Optometry, effective January 1, 1974, at a salary of \$21,048.00 per annum.

Frederick P. Zuspan, Professor and Chairman, Department of Obstetrics and Gynecology, effective December 1, 1974, at a salary of \$40,128.00 per annum.

B. Leaves of Absence Without Salary

George J. Demko, Professor, Department of Geography, effective April 1, 1974 through June 30, 1974, to conduct research at Comenius University in Bratislava, Czechoslovakia.

James Morganstern, Assistant Professor, Division of History of Art, effective April 1, 1974 through June 30, 1974, to work on archaeological project in Turkey.

Hannah H. Beish, Instructor, Cooperative Extension Service, effective February 1, 1974 through February 28, 1974, to participate in a program of professional development at the University of Akron.

Geraldine I. Olson, Instructor, Cooperative Extension Service, effective January 1, 1974 through June 30, 1974, to accept an Institute of Life Insurance Fellowship through the American Home Economics Association to complete requirements for the Ph.D. degree.

Charlotte S. Sweet, Instructor, Division of History of Art, effective January 1, 1974 through March 31, 1974, for personal reasons.

C. Emeritus Titles

Lowell A. Wrigley, Office of Student Services, with the title Assistant Dean Emeritus, effective August 1, 1973.

William A. Stephen, Cooperative Extension Service, with the title Professor Emeritus, effective July 1, 1973.

Emmerich von Haam, Department of Pathology, with the title Professor Emeritus, effective July 1, 1973.

February 1, 1974 meeting, Board of Trustees

II. PERSONNEL ACTIONS (continued)

C. Emeritus Titles (continued)

Robert T. Trippy, College of Dentistry, with the title Associate Professor Emeritus, effective October 1, 1973.

Ruth D. DeVol, Cooperative Extension Service, with the title Assistant Professor Emeritus, effective January 1, 1974.

Woodrow W. Hamilton, Cooperative Extension Service, with the title Assistant Professor Emeritus, effective January 1, 1974.

Wilbur C. Roberts, Cooperative Extension Service, with the title Assistant Professor Emeritus, effective January 1, 1974.

Berman E. Ross, Cooperative Extension Service, with the title Assistant Professor Emeritus, effective January 1, 1974.

President Enarson recommended that the Appointments, Leaves of Absence Without Salary, Emeritus Titles, and personnel budget actions as recorded in the "Salary Roll" of the University be approved.

Upon motion of Mr. Safford, seconded by Mr. Harrod, the Board of Trustees approved the foregoing recommendation by unanimous roll call vote, and the Secretary was instructed to file these changes in the "Salary Roll," an official document of the University.

\*

\*

\*

February 1, 1974 meeting, Board of Trustees

III. REPORT OF RESEARCH CONTRACTS, GRANTS, GIFTS, AND AGREEMENTS

SECOND QUARTER 1973-74

OFFICE OF FISCAL AFFAIRS AND THE TREASURER OF THE UNIVERSITY

	Number of Projects	Level of Support	% Change from 1972-73
<u>Federal</u>			
Student	1	\$ 47,148.00	(40)
Training Grants	<u>10</u>	<u>601,699.00</u>	<u>(86)</u>
Total - Federal	11	\$ 648,847.00	(85)
<u>State of Ohio</u>	6	296,753.00	648
<u>Industrial and Other</u>	<u>6</u>	<u>68,287.00</u>	<u>(78)</u>
Totals	23	\$1,013,887.00	(79)

THE OHIO STATE UNIVERSITY RESEARCH FOUNDATION

	Number of Projects	Level of Support	% Change from 1972-73
<u>Federal</u>			
U. S. Atomic Energy Com- mission	0		(100)
National Aeronautics and Space Administration	4	\$ 162,076.00	25
National Science Foundation	17	563,100.00	(14)
Department of Defense	16	607,916.00	86
Health, Education, and Welfare	19	1,060,814.03	(43)
Other Federal	<u>10</u>	<u>140,334.00</u>	<u>(42)</u>
Total - Federal	66	\$2,534,240.03	(24)
<u>State of Ohio</u>	2	128,784.00	143
<u>Industrial, Subcontracts/Grants,     and Other Non-Federal</u>	<u>42</u>	<u>3,476,906.00</u>	<u>1221</u>
Totals	110	\$6,139,930.03	69



February 1, 1974 meeting, Board of Trustees

III. REPORT OF RESEARCH CONTRACTS, GRANTS, GIFTS, AND AGREEMENTS  
(continued)

THE ENGINEERING EXPERIMENT STATION

	Number of Projects	Level of Support	% Change from 1972-73
<u>Federal</u>	2	\$ 10,925.00	(21)
<u>State of Ohio</u>	4	217,277.00	11
<u>Industrial and Other</u>	66	191,069.00	141
Totals	72	\$ 419,271.00	48

THE OHIO STATE UNIVERSITY DEVELOPMENT FUND

	Number of Donors	Level of Support	% Change from 1972-73
<u>General Solicitation</u>	10,069	\$ 235,885.32	5
<u>Major Resources Group</u>			
Major Individual Gifts	264	1,192,693.87	10
Corporate Gifts	94	264,452.48	(36)
Foundation and Non- Profit Organization Gifts	110	416,000.78	38
	468	\$1,873,147.13	4
Totals	10,537	\$2,109,032.45	4

February 1, 1974 meeting, Board of Trustees

III. REPORT OF RESEARCH CONTRACTS, GRANTS, GIFTS, AND AGREEMENTS  
(continued)

President Enarson recommended that the following contracts and grants negotiated and monies received for the months of November and December be accepted.

Summary for November 1973

	No. of Projects	Support Level
Office of Fiscal Affairs and the Treasurer of the University	4	\$ 70,682.00
The Ohio State University Research Foundation	36	1,229,003.00
The Engineering Experiment Station	2	<u>23,983.00</u>
		\$1,323,668.00
	(Donors)	
The Ohio State University Development Fund	2,909	721,708.29

Summary for December 1973

	No. of Projects	Support Level
Office of Fiscal Affairs and the Treasurer of the University	9	\$ 650,223.00
The Ohio State University Research Foundation	29	<u>3,161,629.00</u>
		\$3,811,852.00
	(Donors)	
The Ohio State University Development Fund	4,357	986,908.60

A detailed listing of the items in each section is shown on the following pages.

Upon motion of Mr. Devenow, seconded by Mr. Safford, the research agreements between The Ohio State University and The Ohio State University Research Foundation for the contracts and grants reported herein, and the acceptance of the report from the Office of Fiscal Affairs and the Treasurer of the University and The Ohio State University Development Fund, including the establishment of named funds, were approved by unanimous voice vote.

III. REPORT OF RESEARCH CONTRACTS, GRANTS, GIFTS, AND AGREEMENTS

(continued)

A. Office of Fiscal Affairs and Treasurer of the University

1. Federal Contract/Grant

- a. \$31,431.00 additional grant from National Institute of Education, Contracts/Grants Management Division, Washington, D. C., for phase-out of ERIC Clearinghouse on Vocational and Technical Education, under the direction of the Center for Vocational-Technical Education, for the period September 1, 1973 through November 30, 1973. (Contract No. OEC-0-70-1214, Modification No. 9)

2. State of Ohio Contracts/Grants

- a. \$23,751.00 granted by State of Ohio, Department of Education, Columbus, Ohio, for introducing the career development continuum concept to teacher candidates in the pre-service teacher education program, under the direction of the Academic Faculty of Special Services, for the period September 1, 1973 through June 30, 1974.
- b. \$15,000.00 granted by Ohio Department of Education, Division of Special Education, Columbus, Ohio, for classroom and in-service training for teacher education in the area of special education administration, under the direction of the Academic Faculty of Exceptional Children, for the period July 1, 1973 through June 30, 1974.

TOTAL - State of Ohio Contracts/Grants \$38,751.00

3. Industrial and Other Contract/Grant

- a. \$500.00 additional grant from The Ford Foundation, New York, New York, for Doctoral Fellowships for Black Americans for 1973-1974, under the direction of the Graduate School.

B. The Ohio State University Research Foundation

1. Federal Research Contracts/Grants

- a. \$132,250.00 additional funds from Department of Health, Education and Welfare, Office of Education, Contracts and Grants Division, Washington, D. C., for Establishing and Operating a National Center on Educational Media for the Handicapped, under the direction of Academic Faculty of Curriculum and Foundations. (Project 3471-A1 - Mod. #3)

III. REPORT OF RESEARCH CONTRACTS, GRANTS, GIFTS, AND AGREEMENTS  
(continued)

B. The Ohio State University Research Foundation (continued)

1. Federal Research Contracts/Grants (continued)

- b. \$117,970.00 from Department of the Navy, Office of Naval Research, Arlington, Virginia, for Defense Cost and Price Analysis Course, under the direction of College of Administrative Science, Division of Continuing Education, for period July 1, 1972 through December 31, 1974. (Project 3528-A1 - Amend. #2)
- c. \$73,089.00 from Department of Health, Education, and Welfare, Public Health Service, National Institutes of Health, National Eye Institute, Bethesda, Maryland, for Development Study of Congenital Glaucoma, under the direction of Department of Veterinary Clinical Sciences, for period November 1, 1973 through October 31, 1974. (Project 3830-A1 - New)
- d. \$62,691.00 from Department of the Navy, Office in Charge, Naval Regional Procurement Office, Long Beach, California, for Man-Pack Loop Antenna System, under the direction of Department of Electrical Engineering, ElectroScience Laboratory, for period October 15, 1973 through October 14, 1974. (Project 3824-A1 - New)
- e. \$60,000.00 from Department of the Navy, Office of Naval Research, Arlington, Virginia, for Five-Day Defense Contract Negotiation Techniques Course, under the direction of College of Administrative Science, Division of Continuing Education, for period August 15, 1972 through December 31, 1974. (Project 3523-A1 - Mod. #01)
- f. \$54,985.00 from Department of the Navy, Naval Air Systems Command, Washington, D. C., for Adaptive Arrays Multiple Access Communications Systems, under the direction of Department of Electrical Engineering, ElectroScience Laboratory, for period December 1, 1973 through November 30, 1974. (Project 3832-A1 - New)
- g. \$48,593.00 from Department of Transportation, Washington, D. C., for Laboratory Spectroscopy of Environmental Pollutants, under the direction of Department of Physics, for period November 1, 1973 through June 30, 1974. (Project 3831-A1 - New)
- h. \$30,000.00 from National Aeronautics and Space Administration, Langley Research Center, Hampton, Virginia, for Omega Signal Disturbance by Obstacles and Surface Impedance Variations, under the direction of Department of Electrical Engineering, ElectroScience Laboratory, for period September 1, 1969 through November 14, 1974. (Project 2902 - Sup. #5)

III. REPORT OF RESEARCH CONTRACTS, GRANTS, GIFTS, AND AGREEMENTS  
(continued)

B. The Ohio State University Research Foundation (continued)

1. Federal Research Contracts/Grants (continued)

- i. \$30,000.00 from Department of the Navy, Office of Naval Research, Arlington, Virginia, for Defense Termination Settlement, under the direction of College of Administrative Science, Division of Continuing Education, for period November 16, 1970 through December 31, 1974. (Project 3150-A1 - Mod. #05)
- j. \$28,562.00 from Department of Health, Education, and Welfare, Public Health Service, Alcohol, Drug Abuse and Mental Health Administration, National Institute of Mental Health, Rockville, Maryland, for Studies in Learning and Perception, under the direction of Department of Psychology, for period December 1, 1973 through November 30, 1974. (Project 887-P - Ext. #15)
- k. \$25,900.00 from Department of the Navy, Office of Naval Research, Arlington, Virginia, for Defense Multi-Year Procurement and Two-Step Formal Advertising, under the direction of College of Administrative Science, Division of Continuing Education, for period January 1, 1970 through December 31, 1974. (Project 3006-A1 - Mod. #7)
- l. \$25,900.00 from National Science Foundation, Washington, D. C., for Glaciology and Glacial History of James Ross, Deception, King George and Livingston Islands, under the direction of Institute of Polar Studies, for period November 1, 1973 through October 31, 1974. (Project 3839-A1 - New)
- m. \$24,800.00 from National Science Foundation, Washington, D. C., for Linguistic Units and Boundaries, under the direction of Department of Linguistics, for period November 15, 1971 through February 28, 1975. (Project 3349-A1 - Amend. #2)
- n. \$19,700.00 from National Science Foundation, Washington, D. C., for Preparation of Micrometeorological Studies at the South Pole, under the direction of Institute of Polar Studies, for period November 1, 1973 through October 31, 1974. (Project 3838-A1 - New)
- o. \$16,000.00 from Department of the Navy, Office of Naval Research, Procuring Contracting Officer, Arlington, Virginia, for Open-Loop Analysis of the Carbon Dioxide Receptor Reflex, under the direction of Department of Physiology, for period May 1, 1969 through October 31, 1974. (Project 2822 - Mod. #5)

III. REPORT OF RESEARCH CONTRACTS, GRANTS, GIFTS, AND AGREEMENTS  
(continued)

B. The Ohio State University Research Foundation (continued)

1. Federal Research Contracts/Grants (continued)

- p. \$15,500.00 from National Science Foundation, Washington, D. C., for Preparation and Investigation of Compounds Containing Aluminum-Boron, Aluminum-Silicon and Aluminum-Transition Metal Bonds, under the direction of Department of Chemistry, for period December 1, 1973 through November 30, 1974. (Project 3826-A1 - New)
- q. \$7,800.00 from U. S. Civil Service Commission, Bureau of Training, Washington, D. C., for "Research and Development Contracting" Course for U. S. Civil Service, under the direction of College of Administrative Science, Division of Continuing Education, for period August 1, 1973 through July 31, 1974. (Project 3808-B1 - New)
- r. \$7,800.00 from U. S. Civil Service Commission, Bureau of Training, Washington, D. C., for "Government Property Administration" Course for U. S. Civil Service, under the direction of College of Administrative Science, Division of Continuing Education, for period August 1, 1973 through August 31, 1974. (Project 3808-C1 - New)

TOTAL - Federal Research Contracts/Grants \$781,540.00

2. State of Ohio Research Contracts/Grants

- a. \$93,688.00 from Ohio Department of Economic and Community Development, Administration of Justice Division, Columbus, Ohio, for Goals and Standards Comparison, under the direction of College of Administrative Science, Division of Public Administration, for period September 4, 1973 through May 9, 1974. (Project 3807-A1 - New)
- b. \$35,096.00 from Ohio Department of Mental Health and Mental Retardation, Division of Mental Retardation, Columbus, Ohio, for Research and Legislative Drafting in the Area of Ohio Law on Mental Retardation, under the direction of College of Law, for period October 1, 1973 through September 30, 1974. (Project 3828-A1 - New)

TOTAL - State of Ohio Research Contracts/Grants \$128,784.00

3. Industrial, Subcontracts/Grants and Other Non-Federal Research Contracts/Grants

- a. \$132,070.00 from The Ohio Valley Health Services Foundation, Inc., Athens, Ohio, for Education Component of the Consolidated Medical Services System for Southeastern Ohio, under the direction of Department of Preventive Medicine, for period October 1, 1972 through September 30, 1974. (Project 3615-A1 - Amend. #1)

III. REPORT OF RESEARCH CONTRACTS, GRANTS, GIFTS, AND AGREEMENTS  
(continued)

B. The Ohio State University Research Foundation (continued)

3. Industrial, Subcontracts/Grants and Other Non-Federal  
Research Contracts/Grants (continued)

- b. \$54,593.00 from American Cancer Society, Inc., New York, New York, for Endocrine Profiles in Patients with Breast Cancer, under the direction of Department of Medicine, for period January 1, 1974 through December 31, 1975. (Project 3847-A1 - New)
- c. \$26,075.00 from American Cancer Society, Inc., New York, New York, for Effect of Chemotherapy on Macrophage Function, under the direction of Department of Medicine, for period January 1, 1974 through December 31, 1974. (Project 3850-A1 - New)
- d. \$20,000.00 from Rockwell International Corporation, Columbus Aircraft Division, Columbus, Ohio, for Subsonic and Transonic Wind Tunnel Tests - Airfoil with Blowing Flap, under the direction of Department of Aeronautical and Astronautical Engineering, for period October 1, 1973 through September 30, 1974. (Project 3796-A2 - Amend. #1)
- e. \$15,000.00 from Damon Runyon Memorial Fund, New York, New York, for Human Macrophage Tumoricidal Activity, under the direction of Department of Medicine, for period November 1, 1973 through October 31, 1975. (Project 3836-A1 - New)
- f. \$12,000.00 from Rockwell International Corporation, Columbus Aircraft Division, Columbus, Ohio, for Subsonic and Transonic Wind Tunnel Tests - Temperature Effects on Thrust Augmentation, under the direction of Department of Aeronautical and Astronautical Engineering, for period October 1, 1973 through September 30, 1974. (Project 3796-C2 - New)
- g. \$11,000.00 from Research Corporation, New York, New York, for Electronic Energy Transfer from Metastable Metal Atoms to Molecules Using Crossed Molecular Beams, under the direction of Department of Chemistry, for period December 1, 1973 through November 30, 1974. (Project 3844-A1 - New)
- h. \$8,000.00 from Rockwell International Corporation, Columbus Aircraft Division, Columbus, Ohio, for Subsonic and Transonic Wind Tunnel Tests - Internal Duct Studies, under the direction of Department of Aeronautical and Astronautical Engineering, for period October 1, 1973 through September 30, 1974. (Project 3796-B2 - New)

III. REPORT OF RESEARCH CONTRACTS, GRANTS, GIFTS, AND AGREEMENTS  
(continued)

B. The Ohio State University Research Foundation (continued)

3. Industrial, Subcontracts/Grants and Other Non-Federal  
Research Contracts/Grants (continued)

- i. \$7,904.00 from Morris Animal Foundation, Denver, Colorado, for Characterization of the Pathogenicity of the Feline Picornaviruses, under the direction of the Department of Veterinary Pathobiology, for the period October 1, 1973 through September 30, 1974. (Project 3829-A1 - New)
- j. \$7,035.00 from American Heart Association, Eastern Ohio Chapter, Youngstown, Ohio, for Lipid Metabolism as a Function of Dietary Carbohydrate, under the direction of Department of Food Science and Nutrition, for period November 16, 1973 through November 15, 1974. (Project 3840-A1 - New)
- k. \$5,462.00 from Schering Corporation, Kenilworth, New Jersey, for A Study on Clinical Superficial Ocular Diseases in Dogs and Cats, under the direction of Department of Veterinary Clinical Sciences, for period November 1, 1973 through April 30, 1974. (Project 3843-A1 - New)
- l. \$4,950.00 from American Cancer Society, Ohio Division, Franklin County Unit, Columbus, Ohio, for Synthesis and Biological Evaluation of Small Ring Antileukemic Drugs, under the direction of College of Pharmacy, for period November 1, 1973 through October 31, 1974. (Project 3833-A1 - New)
- m. \$4,840.00 from American Cancer Society, Ohio Division, Franklin County Unit, Columbus, Ohio, for In Vivo Synchronization of Tumor Cell Division, under the direction of Department of Physiological Chemistry, for period November 1, 1973 through October 31, 1974. (Project 3834-A1 - New)
- n. \$4,500.00 from University of Pittsburgh, Pittsburgh, Pennsylvania, for Study of Treatment of Primary Breast Cancer, under the direction of Department of Surgery, for period July 1, 1973 through December 31, 1973. (Project 3639-A2 - Ext. #1)
- o. \$4,250.00 from American Cancer Society, Ohio Division, Franklin County Unit, Columbus, Ohio, for Enzymes of Pyrimidine Biosynthesis in Stimulated Bone Marrow and Spleen, Normal and Malignant, under the direction of the Department of Physiology, for period October 1, 1973 through September 30, 1974. (Project 3835-A1 - New)



February 1, 1974 meeting, Board of Trustees

III. REPORT OF RESEARCH CONTRACTS, GRANTS, GIFTS, AND AGREEMENTS  
(continued)

B. The Ohio State University Research Foundation (continued)

3. Industrial, Subcontracts/Grants and Other Non-Federal  
Research Contracts/Grants (continued)

- p. \$1,000.00 from American Heart Association, Eastern Ohio Chapter, Inc., Youngstown, Ohio, for Chromium and Coronary Artery Disease, under the direction of the Department of Pathology, for the period December 1, 1972 through February 28, 1974. (Project 3353-A2 - Ext. #3)

TOTAL - Industrial, Subcontracts/Grants and Other  
Non-Federal Research Contracts/Grants \$318,679.00

C. The Engineering Experiment Station

1. Industrial and Other Research Contracts

- a. \$23,143.00 from Columbia Gas System Service Corporation, Columbus, Ohio, for the continuation of Pipe Location - Phase I, II, & III, under the direction of the Department of Electrical Engineering, for the period November 1, 1973 through December 31, 1973. (EES - Ext. #4)
- b. \$840.00 from Monsanto Research Corp., Dayton, Ohio, for Design Analysis of Neutron Sources for Use in Nuclear Power Reactors, under the direction of the Department of Mechanical Engineering, for the period November 1, 1973 through December 31, 1973. (EES 472)

TOTAL - Industrial and Other Research Contracts \$23,983.00

D. The Ohio State University Development Fund

1. Gifts of \$5,000.00 or More

- a. \$64,465.13 from The Associates of Medicine, Columbus, Ohio, for continued support of the Department of Medicine General Fund.
- b. \$11,800.00 from American Cyanamid Company, Pear River, New York, for infectious disease research.
- c. \$10,000.00 from Ford Motor Company Fund, Dearborn, Michigan-- \$5,000.00 for support of the Department of Mechanical Engineering and \$5,000.00 for graduate research programs in city planning.

III. REPORT OF RESEARCH CONTRACTS, GRANTS, GIFTS, AND AGREEMENTS  
(continued)

D. The Ohio State University Development Fund (continued)

1. Gifts of \$5,000.00 or More (continued)

- d. \$9,768.75 from Robert Critchfield, late of Birmingham, Michigan--\$3,256.25 for the University Activities Center, \$3,256.25 for the Robert M. Critchfield Fund for Engineering, and \$3,256.25 for the Novice G. Fawcett Chair in Educational Administration.
- e. \$7,756.79 from the Estate of D. P. Snyder, Columbus, Ohio--\$5,161.19 for loans to students enrolled in the College of Dentistry and \$2,585.60 for medical research, especially research for aiding the prevention of diseases of the blind.
- f. \$6,666.65 from State Automobile Mutual Insurance Company, Columbus, Ohio, for the University Activities Center.
- g. \$5,000.00 from Mrs. Margaret W. Kahliff, Elyria, Ohio, for scholarships for students enrolled in the School of Natural Resources.
- h. \$5,000.00 from Maurice A. Young, M. D., Youngstown, Ohio, for the College of Medicine Progress Fund.

2. Gift-in-Kind

- a. The Gerking Collection of Indiana Fishes from the Department of Zoology, Indiana University, Bloomington, Indiana, for the College of Biological Sciences, Department of Zoology.

3. Establishment of Named Funds

- a. \$35,459.36 from the Estate of Dorothy D. King for the establishment of the Chester C. Cook Memorial Fund.

Chester C. Cook Memorial Fund

The Chester C. Cook Memorial Fund was established February 1, 1974, by the Board of Trustees of The Ohio State University with a bequest from the late Dorothy D. King, B.S.Ed. '32, M.A. '33, to The Ohio State University through The Ohio State University Development Fund in memory of her father, Chester C. Cook, formerly of Columbus, Ohio.

All gifts are to be invested in the University Permanent Endowment Fund, under the rules and regulations adopted by the Board of Trustees of The Ohio State University, with the right to invest and reinvest as occasion dictates.

III. REPORT OF RESEARCH CONTRACTS, GRANTS, GIFTS, AND AGREEMENTS  
(continued)

D. The Ohio State University Development Fund (continued)

3. Establishment of Named Funds (continued)

a. Chester C. Cook Memorial Fund (continued)

The annual income is to be used by The Ohio State University Cancer Research Center to establish the Chester C. Cook Memorial Fund. Disbursements are to be made upon the recommendation of the Provost of The Ohio State University.

Should The Ohio State University Cancer Research Center cease to exist through any reorganization of the University, then the income may be used by the Board of Trustees, with preference being given to the recommendations of the Provost of the University or the appropriate administrative official who is then directly responsible for cancer research.

b. \$25,000.00 from the Estate of Herman Van Moss Glunz for the establishment of the H. V. Glunz Scholarship Fund.

H. V. Glunz Scholarship Fund

The H. V. Glunz Scholarship Fund was established February 1, 1974, by the Board of Trustees of The Ohio State University with a gift to The Ohio State University Development Fund from the late Herman Van Moss Glunz, with Class of 1912, formerly of Norristown, Pennsylvania.

All gifts are to be invested in the University's Permanent Endowment Fund, under the rules and regulations adopted by the Board of Trustees of The Ohio State University, with the right to invest and reinvest as occasion dictates.

The annual income is to be used to provide one or more scholarships for undergraduate and/or fellowships for graduate students who have demonstrated academic ability and need for financial assistance. The fund shall be known as the H. V. Glunz Scholarship Fund. The selection of the recipient is to be made upon the recommendation of the Scholarship Committee of the College of Engineering. Preference is to be given to students enrolled in the College of Engineering, and who are working in the broad field of the mineral industries.

Should the need for these scholarships cease to exist or so diminish as to provide unused income, then the income may be used for any purpose whatsoever as determined by the Board of Trustees, with preference being given to recommendations from the appropriate administrative official of the University who is then directly responsible for scholarships.

III. REPORT OF RESEARCH CONTRACTS, GRANTS, GIFTS, AND AGREEMENTS  
(continued)

D. The Ohio State University Development Fund (continued)

3. Establishment of Named Funds (continued)

- c. \$11,425.00 from Mrs. Olive H. Emery, Helen K. Cooley, Paul E. Emery, Evelyn E. Kingan, and former students and friends for the establishment of The Walter B. Emery Memorial Scholarship for Communication.

The Walter B. Emery Memorial Scholarship for Communication

The Walter B. Emery Memorial Scholarship for Communication was established February 1, 1974, by the Board of Trustees of The Ohio State University in memory of the late Walter B. Emery, distinguished professor of Communication, with a gift to The Ohio State University Development Fund from Mrs. Olive H. Emery, Columbus, Ohio, widow of Professor Emery, their children, Helen K. Cooley, Paul E. Emery, Evelyn E. Kingan, and former students and friends.

All gifts are to be invested in the University's Permanent Endowment under the rules and regulations adopted by the Board of Trustees of The Ohio State University, with the right to invest and reinvest as occasion dictates.

The annual income is to be used to provide scholarship assistance for one or more students enrolled in the Department of Communication. Selection of the recipient(s) is to be made by the University Scholarship Committee upon the recommendation of the Chairman of the Department of Communication after appropriate consultation with Mrs. Emery and faculty members of that department.

Should the need for the scholarships cease to exist or so diminish as to provide unused income, then the income may be used for any purpose whatsoever as determined by the Board of Trustees, with preference being given to recommendations from the appropriate administrative official of the University who is then directly responsible for speech education.

- d. \$10,000.00 from Hewitt A. Gehres for the establishment of the Hewitt A. Gehres Fund in Engineering.

Hewitt A. Gehres Fund in Engineering

The Hewitt A. Gehres Fund in Engineering was established February 1, 1974, by the Board of Trustees of The Ohio State University with a gift to The Ohio State University Development Fund from Hewitt A. Gehres, B. M. E. '07, Mount Vernon, Ohio.

III. REPORT OF RESEARCH CONTRACTS, GRANTS, GIFTS, AND AGREEMENTS  
(continued)

D. The Ohio State University Development Fund (continued)

3. Establishment of Named Funds (continued)

d. Hewitt A. Gehres Fund in Engineering (continued)

The gift is to be invested in the University's Permanent Endowment Fund under the rules and regulations adopted by the Board of Trustees of The Ohio State University, with the right to invest and reinvest as occasion dictates.

The annual income is to be used for approved programs and activities of the Department of Mechanical Engineering as selected by the chairman of that department and approved by the Dean of the College of Engineering.

Should the need for this fund cease to exist or so diminish as to provide unused income, then the income may be used for any purpose whatsoever as determined by the Board of Trustees, with preference being given to recommendations from the appropriate administrative official of the University who is then directly responsible for engineering education.

- e. \$1,000.00 from Joe R. Engle for the establishment of The Perry L. Engle Endowment Fund.

The Perry L. Engle Endowment Fund

The Perry L. Engle Endowment Fund was established February 1, 1974, by the Board of Trustees of The Ohio State University with a gift to The Ohio State University Development Fund from Joe R. Engle, B. I. E. '43, Coshocton, Ohio, in honor of his father, Perry L. Engle.

All gifts are to be invested in the University's Permanent Endowment Fund, under the rules and regulations adopted by the Board of Trustees of The Ohio State University, with the right to invest and reinvest as occasion dictates.

The annual income is to be used for the purchase of appropriate equipment in the intensive care--cardiac unit, University Hospital. Requests for the funds will be initiated by the Chairman of the Department of Medicine and approved by the Dean of the College of Medicine.

Should the need for these funds cease to exist or so diminish as to provide unused income, then the income may be used for any purpose whatsoever as determined by the Board of Trustees, with preference being given to recommendations from the appropriate administrative official of the University who is then directly responsible for medical education.

February 1, 1974 meeting, Board of Trustees

III. REPORT OF RESEARCH CONTRACTS, GRANTS, GIFTS, AND AGREEMENTS  
(continued)

E. Office of Fiscal Affairs and the Treasurer of the University

1. Federal Contracts/Grants

- a. \$291,094.00 granted by Department of Health, Education, and Welfare, National Institute of Education, Contracts/Grants Management Division, Matomic Building, Washington, D. C., for Development of a Career Education Occupational Exploration Program, under the direction of the Center for Vocational-Technical Education, for the period September 1, 1973 through June 30, 1974.
- b. \$75,068.00 additional grant by Department of Health, Education, and Welfare, Office of Education, Washington, D. C., in support of Effects of Protocols on Teachers Ability to Understand and Interpret Language of Young Children, under the direction of the Academic Faculty of Humanities Education, for the period August 14, 1973 through August 13, 1974. (Grant No. OEG-0-70-2057, Revision No. 7)
- c. \$49,255.00 granted by Defense Civil Preparedness Agency, Region Four, Federal Center, Battle Creek, Michigan, for Conducting Regional and State Local On-Site Assistance Surveys to Determine State and Local Training Requirements, under the direction of the Division of Continuing Education, for the period January 1, 1974 through September 30, 1974. (Contract No. DCPA01-74-C-0139)
- d. \$47,148.00 granted by United States Department of Justice, Law Enforcement Assistance Administration, Des Plaines, Illinois, for Law Enforcement Education Program, for the period November 30, 1973 through June 30, 1974. (Grant Award FY1974 - Supplemental)
- e. \$1,750.00 additional grant by National Science Foundation, Washington, D. C., in support of the Graduate Traineeship Program, under the direction of the Graduate School. (Grant GZ-2456, Amendment No. 1)

TOTAL - Federal Contracts/Grants \$464,315.00

2. State of Ohio Contracts/Grants

- a. \$101,083.00 additional grant by State of Ohio, Department of Education, Columbus, Ohio, in support of a study on Governance of Education: State Structures, Processes, and Relationships, under the direction of the Academic Faculty of Educational Administration, for the period October 1, 1973 through June 30, 1974.

III. REPORT OF RESEARCH CONTRACTS, GRANTS, GIFTS, AND AGREEMENTS

(continued)

E. Office of Fiscal Affairs and the Treasurer of the University (continued)

2. State of Ohio Contracts/Grants (continued)

- b. \$70,000.00 granted by Ohio Department of Education, Division of Special Education, Columbus, Ohio, for services and staff to operate An Exemplary Model for Learning Disabled Students, Emphasizing Secondary Programs, Teacher Training and Assessment Techniques, under the direction of the Academic Faculty of Exceptional Children, for the period June 22, 1973 through June 21, 1974.

TOTAL - State of Ohio Contracts/Grants \$171,083.00

3. Industrial and Other Contracts/Grants

- a. \$9,825.00 granted by State of Wisconsin, Board of Vocational, Technical and Adult Education, Madison, Wisconsin, in support of the Assessment of the Impact of the Wisconsin Research Coordinating Unit, under the direction of the Center for Vocational-Technical Education, for the period January 1, 1974 through June 30, 1974.
- b. \$5,000.00 granted by World Health Organization, Geneva, Switzerland, for support of WHO International Reference Centre for Diagnosis of Diseases of Vectors, under the direction of the Department of Entomology, for the year 1973.

TOTAL - Industrial and Other Contracts/Grants \$14,825.00

F. The Ohio State University Research Foundation

1. Federal Research Contracts/Grants

- a. \$45,065.00 from Department of the Navy, Office of Naval Research, Arlington, Virginia, for Contract Administration, under the direction of College of Administrative Science, Division of Continuing Education, for period December 20, 1970 through December 31, 1974. (Project 3164-A1 - Mod. #08)
- b. \$39,800.00 from National Science Foundation, Washington, D. C., for A Master List of Nonstellar Optical Astronomical Objects, under the direction of Department of Electrical Engineering, for period November 15, 1973 through November 14, 1974. Project 3848-A1 - New)
- c. \$31,979.00 from Department of Health, Education, and Welfare, Public Health Service, National Institutes of Health, National Institute of Neurological Diseases and Stroke, Bethesda, Maryland, for The Role of the Red Nucleus in Motor Function, under the direction of Department of Anatomy, for period January 1, 1974 through December 31, 1974. (Project 2956-C - Ext. #3)

February 1, 1974 meeting, Board of Trustees

III. REPORT OF RESEARCH CONTRACTS, GRANTS, GIFTS, AND AGREEMENTS  
(continued)

F. The Ohio State University Research Foundation (continued)

1. Federal Research Contracts/Grants (continued)

- d. \$31,726.00 from Department of Health, Education, and Welfare, Public Health Service, National Institutes of Health, National Heart and Lung Institute, Bethesda, Maryland, for The Pharmacology of Coumarin Anticoagulants, under the direction of Department of Pharmacology, for period January 1, 1974 through December 31, 1974. (Project 3623-A2 - Ext. #1)
- e. \$31,500.00 from National Science Foundation, Washington, D. C., for Electronic, Dynamic and Chemical Properties of Carbanionic Substances, under the direction of Department of Chemistry, for period January 1, 1973 through April 30, 1975. (Project 3610-A1 - Ltr. Dtd. 11/15/73)
- f. \$30,000.00 from National Science Foundation, Washington, D. C., for Effect of Structure on Rates and Equilibria, under the direction of Department of Chemistry, for period March 1, 1972 through February 28, 1975. (Project 3397-A1 - Ltr. Dtd. 12/12/73)
- g. \$29,871.00 additional funds from Department of Health, Education, and Welfare, Office of Education, Contracts and Grants Division, Washington, D. C., for Establishing and Operating a National Center on Educational Media for the Handicapped, under the direction of Academic Faculty of Curriculum and Foundations. (Project 3471-A1 - Mod. #4)
- h. \$26,000.00 from National Science Foundation, Washington, D. C., for Low Temperature Transport Phenomena in Metal, under the direction of Department of Physics, for period November 1, 1973 through October 31, 1974. (Project 3837-A1 - New)
- i. \$24,906.00 from Department of Health, Education, and Welfare, Public Health Service, National Institutes of Health, National Cancer Institute, Bethesda, Maryland, for Potentially Therapeutically Useful NAD Antagonists, under the direction of Department of Chemistry, for period January 1, 1974 through December 31, 1974. (Project 3351-A3 - Ext. #2)
- j. \$21,797.00 from Department of the Air Force, Electronic Systems Division, Laurence G. Hanscom Field, Bedford, Massachusetts, for Studying the External Gravity Potential of the Earth, Gravimetric Quantities and Geodetic Parameters Affected by Gravity, under the direction of Department of Geodetic Science, for period January 1, 1972 through June 30, 1975. (Project 3368-A1 - Mod. #P00003)



III. REPORT OF RESEARCH CONTRACTS, GRANTS, GIFTS, AND AGREEMENTS  
(continued)

F. The Ohio State University Research Foundation (continued)

1. Federal Research Contracts/Grants (continued)

- k. \$21,194.00 from Department of Health, Education, and Welfare, Public Health Service, National Institutes of Health, National Heart and Lung Institute, Bethesda, Maryland, for Control of Activity of Cardiac and Smooth Muscle, under the direction of Department of Physiology, for period January 1, 1974 through December 31, 1974. (Project 874-P - Ext. #15)
- l. \$18,303.00 from Department of the Air Force, Electronic Systems Division, Laurence G. Hanscom Field, Bedford, Massachusetts, for Studying the External Gravity Potential of the Earth, Gravimetric Quantities and Geodetic Parameters Affected by Gravity, under the direction of Department of Geodetic Science, for period January 1, 1972 through June 30, 1975. (Project 3368-B1 - Mod. #P00003)
- m. \$16,782.00 from Department of Health, Education, and Welfare, Public Health Service, Alcohol, Drug Abuse and Mental Health Administration, National Institute of Mental Health, Bethesda, Maryland, for Postoperative Recovery Mechanisms and Retention, under the direction of Department of Psychology, for period January 1, 1974 through December 31, 1974. (Project 1470-L - Ext. #11)
- n. \$15,600.00 from U. S. Civil Service Commission, Management Sciences Training Center, Washington, D. C., for "Government Contract Law" Course for U. S. Civil Service, under the direction of College of Administrative Science, Division of Continuing Education, for period October 1, 1973 through July 31, 1974. (Project 3808-E1 - New)
- o. \$14,600.00 from National Science Foundation, Washington, D. C., for Isotopic and Geochemical Studies in the Transantarctic Mountains, under the direction of Institute of Polar Studies, for period November 15, 1973 through November 14, 1974. (Project 3846-A1 - New)
- p. \$13,663.00 from U. S. Department of Transportation, Federal Highway Administration, Washington, D. C., for Use of Aerial Color Photography for Highway Applications, under the direction of Department of Civil Engineering, for period November 27, 1973 through November 29, 1974. (Project 3849-A1 - New)
- q. \$7,800.00 from U. S. Civil Service Commission, Bureau of Training, Management Sciences Training Center, Washington, D. C., for Developing Contract Work Specifications, under the direction of College of Administrative Science, Division of Continuing Education, for period October 1, 1973 through July 31, 1974. (Project 3808-D1 - New)

III. REPORT OF RESEARCH CONTRACTS, GRANTS, GIFTS, AND AGREEMENTS  
(continued)

F. The Ohio State University Research Foundation (continued)

1. Federal Research Contracts/Grants (continued)

- r. \$4,100.00 from National Science Foundation, Washington, D. C., for Doctoral Dissertation Research - Adaptive Radiation in Lipochaeta (Compositae) of the Hawaiian Islands, under the direction of Department of Botany, for period January 1, 1974 through December 31, 1975. (Project 3852-A1 - New)

TOTAL - Federal Research Contracts/Grants \$424,686.00

2. Industrial, Subcontracts/Grants and Other Non-Federal Research Contracts/Grants

- a. \$2,547,237.00 from Medical Advances Institute, Columbus, Ohio, for Computerized Medical Review System, under the direction of Departments of Preventive Medicine and Pediatrics, for period November 1, 1972 through October 31, 1974. (Project 3585-A1 - Ltr. Dtd. 12/12/73)
- b. \$95,000.00 from Medical Advances Institute, Columbus, Ohio, for Computerized Medical Review System, under the direction of Departments of Preventive Medicine and Pediatrics, for period November 1, 1972 through March 31, 1974. (Project 3585-A1 - Ltr. Dtd. 12/4/73)
- c. \$25,619.00 from National Multiple Sclerosis Society, New York, New York, for The Ultrastructural Immunohistochemical Localization of the Myelin Encephalitogenic Protein in the Central and Peripheral Nervous System, under the direction of Department of Medicine, for period January 1, 1974 through June 30, 1975. (Project 3853-A1 - New)
- d. \$17,687.00 additional funds from Ohio Department of Industrial Relations, Columbus, Ohio, for Feasibility Study of a Cooperative Ohio/Federal Occupational Safety and Health (OSHA) Statistical Program, under the direction of College of Administrative Science, Division of Continuing Education. (Project 3612-A1 - Ltr. Dtd. 11/29/73)
- e. \$10,000.00 from Union Carbide Corporation, Nuclear Division, Oak Ridge, Tennessee, for Fundamental Study of Spiking in Partial Penetration Electron Beam Welding of Uranium and Refractory Materials, under the direction of Department of Welding Engineering, for period November 1, 1973 through October 31, 1974. (Project 2918-C - Sup. #7)

February 1, 1974 meeting, Board of Trustees

III. REPORT OF RESEARCH CONTRACTS, GRANTS, GIFTS, AND AGREEMENTS  
(continued)

F. The Ohio State University Research Foundation (continued)

2. Industrial, Subcontracts/Grants and Other  
Non-Federal Research Contracts/Grants (continued)

- f. \$10,000.00 from The Deafness Research Foundation, New York, New York, for X-Ray Microanalysis of Inner Ear Tissue, under the direction of Department of Otolaryngology, for period January 1, 1974 through December 31, 1974. (Project 3608-A2 - Ext. #1)
- g. \$10,000.00 from World Health Organization, Human Reproduction Unit, Geneva, Switzerland, for Systemic Effects of Copper Intra-Uterine Devices, under the direction of Department of Obstetrics and Gynecology, for period January 1, 1973 through December 31, 1974. (Project 3640-A1 - Ext. #1)
- h. \$7,500.00 from American Heart Association, Eastern Ohio Chapter, Youngstown, Ohio, for Lysosomal Enzymes of Lower Extremity Origin in Regional Ischemia Possible Relationship to Congesting Atelectasis, under the direction of Department of Surgery, for period December 1, 1973 through November 30, 1974. (Project 3841-A1 - New)
- i. \$7,500.00 from American Heart Association, Eastern Ohio Chapter, Youngstown, Ohio, for Mechanisms of Systolic Time Interval Abnormalities in Coronary Disease, under the direction of Department of Medicine, for period December 1, 1973 through November 30, 1974. (Project 3842-A1 - New)
- j. \$4,050.00 from American Cancer Society, Ohio Division, Franklin County Unit, Columbus, Ohio, for Thyrotropin Dynamics During the Experimental Production of Rat Thyroid Neoplasms, under the direction of Department of Medicine, for period December 1, 1973 through November 30, 1974. (Project 3851-A1 - New)
- k. \$2,350.00 from Columbus Board of Health, Columbus, Ohio, for Analysis of Blood Leads and Consultation on Blood Lead Determination, under the direction of Department of Physiology, for period October 1, 1973 through December 31, 1973. (Project 3845-A1 - New)

TOTAL - Industrial, Subcontracts/Grants and Other  
Non-Federal Research Contracts/Grants \$2,736,943.00

III. REPORT OF RESEARCH CONTRACTS, GRANTS, GIFTS, AND AGREEMENTS  
(continued)

G. The Ohio State University Development Fund

1. Gifts of \$5,000 or More

- a. \$100,000.00 from Charles H. Kimberly Trusts, New York, New York, for the Kimberly Endowment for Chemistry.
- b. \$90,000.00 from The Andersons (Donald E. Anderson, Harold Anderson, John D. Anderson, Richard P. Anderson, Robert J. Anderson, Thomas H. Anderson, and Paul M. Kraus), Maumee, Ohio, for the Andersons Agricultural Research Fund.
- c. \$50,000.00 from Nationwide Mutual Insurance Company, Columbus, Ohio, for the University Activities Center.
- d. \$39,870.00 from The John A. Hartford Foundation, Inc., New York, New York, for research study in pharmacologic control of portal hypertension in the College of Medicine.
- e. \$31,705.51 from The Associates of Medicine, Columbus, Ohio, for support of the Department of Medicine General Fund.
- f. \$20,000.00 from The F. & R. Lazarus Company, Columbus, Ohio-- \$15,000.00 for the University Activities Center and \$5,000.00 for the Robert Lazarus Student Loan Fund.
- g. \$18,000.00 from the Edward C. and Hazel L. Stephenson Foundation, Grosse Pointe Woods, Michigan, for their scholarship fund.
- h. \$12,500.00 from the Ohio Electric Utility Institute, Columbus, Ohio, for its fellowship program in the Department of Electrical Engineering.
- i. \$11,500.00 from Miles Laboratories, Inc., Elkhart, Indiana, for a research fund in allergies and pharmacology in the College of Medicine.
- j. \$10,433.00 from the Newark Campus Citizens Advisory Committee, Newark, Ohio, for the Newark Campus Scholarship Fund.
- k. \$10,000.00 from American Electric Power Service Corporation, New York, New York, to be used at the discretion of the Dean of the College of Engineering.
- l. \$10,000.00 from Caral Corporation, DBA Heidelberg Distributing Company (given in name of Al Vontz, Jr., Dayton, Ohio), for the Department of Animal Science.

III. REPORT OF RESEARCH CONTRACTS, GRANTS, GIFTS, AND AGREEMENTS  
(continued)

G. The Ohio State University Development Fund (continued)

1. Gifts of \$5,000 or More (continued)

- m. \$10,000.00 from Charles W. Carroll (given in name of Mary Jean Carroll, Akron, Ohio)--\$9,000.00 for the University Activities Center and \$1,000.00 to be used at the discretion of the Director of Admissions.
- n. \$10,000.00 from The Emmet Blakeney Gleason Memorial Fund, Inc., Rochester, New York, for its scholarship fund in Engineering.
- o. \$10,000.00 from the Estate of Viola B. Gossman, Columbus, Ohio, for the University Activities Center.
- p. \$10,000.00 from Andrew S. Iddings, Dayton, Ohio, for the University Emergency Fund.
- q. \$10,000.00 from the Roscoe C. Iddings Benevolent Trust, Dayton, Ohio, for the College of Law Student Financial Aids Fund.
- r. \$9,464.63 from Paul G. Benedum, Naples, Florida, for the Novice G. Fawcett Chair in Educational Administration.
- s. \$9,000.00 from Alfred E. Stockum, M. D., Columbus, Ohio, for a purpose to be designated at a later date.
- t. \$8,650.00 from The George Gund Foundation, Cleveland, Ohio, for support of the Ohio 4-H Club programs in the College of Agriculture.
- u. \$7,000.00 from Gager-Keim, Inc., (given in name of Robert D. Keim, Columbus, Ohio), for support of the Student Athlete Grant-in-Aid Fund.
- v. \$6,635.00 from Bell Laboratories, Columbus, Ohio, for teaching and research fund in Engineering.
- w. \$5,492.29 from Antique Show Receipts (given in name of Mrs. Josephine Failer, Columbus, Ohio), for a purpose to be designated at a later date.
- x. \$5,212.50 from Richard M. Ross, Columbus, Ohio, for assistance in the purchase of the Rinhart Collection of Daguerreian Art.
- y. \$5,000.00 from William F. Bradley, M. D., Columbus, Ohio, for endocrine research.

III. REPORT OF RESEARCH CONTRACTS, GRANTS, GIFTS, AND AGREEMENTS  
(continued)

G. The Ohio State University Development Fund (continued)

1. Gifts of \$5,000 or More (continued)

- z. \$5,000.00 from Buckeye Federal Savings and Loan Association, Columbus, Ohio--\$3,500.00 for the Novice G. Fawcett Chair in Educational Administration and \$1,500.00 for the University Activities Center.
- aa. \$5,000.00 from Clow Foundation, Chicago, Illinois, for support of research in the College of Medicine.
- bb. \$5,000.00 from The Duriron Company, Dayton, Ohio, for its Professorship in Metallurgical Engineering.
- cc. \$5,000.00 from William E. Hunt, M.D., Columbus, Ohio, for the Harry E. LeFever Fund for Education in Neurological Surgery.
- dd. \$5,000.00 from Mrs. Tahlman Krumm, Columbus, Ohio, for her late husband's memorial endowment fund in Engineering.
- ee. \$5,000.00 from George F. Lonz Foundation, Middle Bass, Ohio, for support of the Department of Horticulture's programs in Enology and Viticulture.

2. Establishment of Named Funds

- a. \$20,000.00 from Jack W. Nicklaus for the establishment of The L. Charles Nicklaus Golf Scholarship Fund.

The L. Charles Nicklaus Golf Scholarship Fund

The L. Charles Nicklaus Golf Scholarship Fund was established February 1, 1974, by the Board of Trustees of The Ohio State University with a gift through The Ohio State University Development Fund from Jack W. Nicklaus, (A.A.D. '72), of North Palm Beach, Florida, in memory of his father, L. Charles Nicklaus, (B.S. Pharm. '35), late of Columbus, Ohio.

All gifts are to be invested in the University's Permanent Endowment Fund, under the rules and regulations adopted by the Board of Trustees of The Ohio State University, with the right to invest and reinvest as occasion dictates.

The annual income is to be used to provide scholarship assistance for a worthy student from southwestern Ohio who is interested in golf. The fund shall be known as The L. Charles Nicklaus Golf Scholarship Fund. The selection of the recipient is to be made upon the recommendation of the golf coach and approved by the Director of Athletics and the University Scholarship Committee.

III. REPORT OF RESEARCH CONTRACTS, GRANTS, GIFTS, AND AGREEMENTS  
(continued)

G. The Ohio State University Development Fund (continued)

2. Establishment of Named Funds (continued)

a. The L. Charles Nicklaus Golf Scholarship Fund (continued)

Should the need for this scholarship cease to exist or so diminish as to provide unused income, then the income may be used for any purpose whatsoever as determined by the Board of Trustees, with preference being given to recommendations from the appropriate administrative official of the University who is then directly responsible for athletic scholarships.

b. \$2,500.00 from John D. Drinko and several of his friends for the establishment of The Newton D. Baker Memorial Scholarship Fund.

The Newton D. Baker Memorial Scholarship Fund

The Newton D. Baker Memorial Scholarship Fund was established February 1, 1974, by the Board of Trustees of The Ohio State University with initial gifts from John D. Drinko, LL.B. '44, of the law firm of Baker, Hostetler and Patterson, Cleveland, Ohio, and several of his friends in memory of the firm's founder, Newton D. Baker, who was also a loyal benefactor and Chairman of the Board of Trustees of The Ohio State University.

All gifts allocable to this Fund are to be invested in the University's Permanent Endowment under the rules and regulations adopted by the Board of Trustees of The Ohio State University, with the right to invest and reinvest as occasion dictates.

The annual income is to be used to provide one or more scholarships or other forms of financial assistance for students enrolled in the College of Law. Selection of the recipient(s) is to be made by the University Scholarship Committee upon the recommendation of the Dean of the College of Law.

Should the need for the scholarships or other forms of financial assistance cease to exist or so diminish as to provide unused income, then the income may be used for any purpose whatsoever as determined by the Board of Trustees, with preference being given to recommendations from the appropriate administrative official of the University who is then directly responsible for law education.

c. \$2,000.00 from John M. Lurie for the establishment of The Bernard Lurie Memorial Scholarship Fund.

The Bernard Lurie Memorial Scholarship Fund

The Bernard Lurie Memorial Scholarship Fund was established February 1, 1974, by the Board of Trustees of The Ohio State

III. REPORT OF RESEARCH CONTRACTS, GRANTS, GIFTS, AND AGREEMENTS  
(continued)

G. The Ohio State University Development Fund (continued)

2. Establishment of Named Funds (continued)

c. The Bernard Lurie Memorial Scholarship Fund (continued)

University with gifts to The Ohio State University Development Fund from John M. Lurie, Columbus, Ohio, in memory of his father, Bernard Lurie.

All gifts are to be invested in the University's Permanent Endowment under the rules and regulations adopted by the Board of Trustees of The Ohio State University, with the right to invest and reinvest as occasion dictates.

The annual income is to be added to the principal until the fund reaches \$10,000. At that time, the annual income is to be used to provide a scholarship for a student enrolled in the College of Medicine. Selection of the recipient is to be made by the University Scholarship Committee upon the recommendation of the Assistant Dean of Student Affairs of the College of Medicine or his duly selected successor in any restructuring of the college.

Should the need for the scholarship cease to exist or so diminish as to provide unused income, then the income may be used for any purpose whatsoever as determined by the Board of Trustees, with preference being given to recommendations from the appropriate administrative official of the University who is then directly responsible for medical education.

d. \$1,000.00 from Robert S. Hoag for the establishment of The Robert S. Hoag Golf Scholarship Fund.

The Robert S. Hoag Golf Scholarship Fund

The Robert S. Hoag Golf Scholarship Fund was established February 1, 1974, by the Board of Trustees of The Ohio State University with a gift to The Ohio State University Development Fund from Robert S. Hoag, B.S. '51, Columbus, Ohio.

All gifts are to be invested in the University's Permanent Endowment Fund, under the rules and regulations adopted by the Board of Trustees of The Ohio State University, with the right to invest and reinvest as occasion dictates.

The annual income is to be added to the principal until the fund reaches \$10,000. At that time, the income is to be used to provide one or more undergraduate golf scholarships. Selection of the recipient(s) is to be made by the University Scholarship Committee upon the recommendation of The Ohio State University golf coach.



III. REPORT OF RESEARCH CONTRACTS, GRANTS, GIFTS, AND AGREEMENTS  
(continued)

G. The Ohio State University Development Fund (continued)

2. Establishment of Named Funds (continued)

d. The Robert S. Hoag Golf Scholarship Fund (continued)

Should the need for this fund cease to exist or so diminish as to provide unused income, then the income may be used for any purpose whatsoever as determined by the Board of Trustees, with preference being given to recommendations from the appropriate administrative official of the University who is then directly responsible for inter-collegiate athletics.

- e. \$1,000.00 from Joseph K. Walkup, and sons, David W., Robert E., and John D. Walkup, for the establishment of The Wildah Turnbull Walkup Memorial Fund.

The Wildah Turnbull Walkup Memorial Fund

The Wildah Turnbull Walkup Memorial Fund was established February 1, 1974, by the Board of Trustees of The Ohio State University with gifts to The Ohio State University Development Fund from Joseph K. Walkup, B.A. '32, Professional I. E. '41, Ames, Iowa, and sons, David W., Robert E., and John D. Walkup, in memory of their wife and mother, Mrs. Wildah Turnbull Walkup, B.A. '31, M.A. '32.

All gifts are to be invested in the University's Permanent Endowment under the rules and regulations adopted by the Board of Trustees of The Ohio State University, with the right to invest and reinvest as occasion dictates.

The annual income is to be used to provide one or more undergraduate scholarships for female students enrolled in the College of Engineering. Selection of the recipient(s) is to be made by the University Scholarship Committee upon the recommendation of the Dean of the College of Engineering. Recipients will be selected solely on the basis of their academic achievement during the first full year of enrollment in the engineering curriculum.

It is understood that additional funds may be provided to this named endowment and new specifications for the use of the added income may then be suggested.

Should the College of Engineering cease to exist, through any reorganization of the University, then the income may be used by the Board of Trustees, with preference being given to the recommendations of the appropriate administrative official of the University who is then directly responsible for engineering education.

IV. BUSINESS AND ADMINISTRATION

A. Architects or Engineers

1. Jackson County Area Extension Center

President Enarson recommended that the architectural firm of Swiatek and Grutsch, Columbus, Ohio, be employed to provide architectural services for this project including preliminary plans, basic drawings, working drawings, specifications, estimate of cost, necessary bidding documents, and periodic supervision of construction.

The fee for this service will be negotiated between the architectural firm and the Division of Public Works. The total estimated project cost is \$275,000.

Funds for this service have been provided from H. B. 985, Item 315-086 (Jackson County Area Extension Center).

2. Mahoning County Area Extension Center

President Enarson recommended that the architectural firm of C. Robert Buchanan and Associates, Canfield, Ohio, be employed to provide architectural services for this project including preliminary plans, basic drawings, working drawings, specifications, estimate of cost, necessary bidding documents, and periodic supervision of construction.

The fee for this service will be negotiated between the architectural firm and the Division of Public Works. The total estimated project cost is \$275,000.

Funds for this service have been provided from H. B. 985, Item 315-087 (Mahoning County Area Extension Center).

Upon motion of Mr. Safford, seconded by Mr. Devenow, the above recommendations were approved by unanimous roll call vote.

B. Plans and Specifications

At the request of the Vice President for Business and Administration, the President recommended that the plans and specifications, bills of materials, and estimates of cost for the following projects be approved by the Board of Trustees:

February 1, 1974 meeting, Board of Trustees

IV. BUSINESS AND ADMINISTRATION (continued)

B. Plans and Specifications (continued)

1. Veterinary Hospital--Connecting Road

This project will construct a roadway which will provide direct access to the Veterinary Hospital from Loop Road. This will eliminate circuitous routing of Veterinary Hospital patrons and minimize traffic on campus roads.

Funds are budgeted in Budget Account 125064 (Contract Repair).

2. Dentistry Building--Heating System Repair (Original Building)

This project will provide for the removal of the existing 1948 ventilating apparatus and the installation of a new system. This is necessary due to the obsolescence of the existing system and to better serve the building as it is now used.

Funds are budgeted in Budget Account 125064 (Contract Repair).

3. Campbell Hall--Office Improvements

Substantial reconfiguration of the involved areas to provide efficient office space for the School of Home Economics. Work will include demolition, new ceiling high partitioning and consequent work involving new ceiling lighting and electrical-mechanical systems and refinishing of surfaces.

Funds are budgeted in H. B. 985 (Utilities and Renovation).

Upon motion of Mr. Devenow, seconded by Mr. Safford, the above recommendation was approved by unanimous roll call vote, and the Secretary was authorized and directed to sign the plans and specifications for the above projects for and on behalf of the Board of Trustees. The Vice President for Business and Administration was directed to proceed with a request for bids in the normal University manner, and if satisfactory bids are received, to proceed with the award of contracts. All action regarding this matter will be reported to the Board of Trustees at a later meeting.

C. Report of Award of Contracts

In accordance with authorization provided by the Board of Trustees, bids were taken on the projects listed below and the contracts were recommended for award. The action reported to the Board was as follows:

February 1, 1974 meeting, Board of Trustees

IV. BUSINESS AND ADMINISTRATION (continued)

C. Report of Award of Contracts (continued)

1. Brown Hall, Main Entrance South Side--  
Removal and Replacement of Steps

	<u>Low Bid</u>	<u>Est. of Cost</u>
<u>General Contract</u> (3 bids received 1-18-74) General Masonry Contractors, Inc. (Marion, Ohio)	\$15,700.00	\$16,920.00

Funds for this project have been provided in Budget Account 125064  
(Contract Repair).

2. Goss Laboratory--Partial Remodeling, Phase II  
(Freight Elevator Modifications)

	<u>Low Bid</u>	<u>Est. of Cost</u>
<u>Elevator Contract</u> (1 bid received 12-4-73) Otis Elevator Company (Columbus)	\$19,527.00	\$22,000.00

Funds for this project have been provided in Budget Account 801293  
(Goss Laboratory Remodeling).

3. Welding Engineering Building--Exterior Masonry Repairs

	<u>Low Bid</u>	<u>Est. of Cost</u>
<u>General Contract</u> (5 bids received 1-18-74) Hull-McNutt Contractors (Cleveland, Ohio)	\$26,500.00	\$46,553.00

Funds for this project have been provided in Budget Account 125064  
(Contract Repair).

4. Substation "C"--Underground Cables and Equipment

	<u>Low Bid</u>	<u>Est. of Cost</u>
<u>Electric Contract</u> (4 bids received 12-6-73) Jess Howard Electric Co. (Columbus) Alt. E-1 Substation enclosure wall	\$69,950.00 + 8,042.00	\$80,000.00 +11,700.00
Total Contract	<u>\$77,992.00</u>	<u>\$91,700.00</u>

February 1, 1974 meeting, Board of Trustees

IV. BUSINESS AND ADMINISTRATION (continued)

C. Report of Award of Contracts (continued)

4. Substation "C"--Underground Cables and Equipment (continued)

Funds for this project have been provided in S. B. 457 (Utilities and Renovation) and H. B. 988 (Electrical System Expansion).

Upon motion of Mr. Safford, seconded by Mr. Harrod, the above award of contracts and expenditure of funds were approved and the action of the Vice President for Business and Administration was ratified by unanimous roll call vote.

D. Other

1. Agricultural Technical Institute, Wooster, Ohio--  
Sewer Easement

The Zieg Realty Company has requested a sanitary sewer easement to tap into an existing sanitary sewer line at the Agricultural Technical Institute, Wooster, Ohio. This will permit the construction of a housing facility to serve the Agricultural Technical Institute. The Zieg Realty Company will compensate the University for a share of the sewer cost based upon usage.

It was recommended that the President and/or the Vice President for Business and Administration be authorized to request the Division of Public Works, pursuant to their statutory duties, to act on behalf of the University in developing the necessary legal instruments to provide for the sewer line easement.

2. Purchase of Property - Ott Farm, Ashland County, Ohio

It was recommended that the President and/or Vice President for Business and Administration be authorized to proceed with the purchase of:

120 acres of land (Ashland County), adjacent to The Ohio State University Moore's Demonstration Farm at a price mutually agreeable to the present owner and a third party who has agreed to give the necessary funds to the University for this purpose.

Upon motion of Mr. Gushman, seconded by Mr. Harrod, the above recommendations were approved by unanimous roll call vote.

February 1, 1974 meeting, Board of Trustees

IV. BUSINESS AND ADMINISTRATION (continued)

E. Report of Controlling Board Actions Pertaining to The Ohio State University

- 13 Approves the release of \$232,500 from H. B. 985, Item 315-079 (Main Library Addition) to enter into a contract with the architectural firm of Lorenz, Williams, Lively & Likens, for services through the bidding stage of the project known as "Main Library Addition."
- 14 Approves the release of \$2,291,922 from H. B. 985, Item 315-061 (Undergraduate Library), for the project known as "Joseph Sullivant Hall" to award the contracts for the remodeling of the building.
- 15 Approves the release of \$45,000 from The Ohio State University Investment Fund to purchase a property contiguous to the "Barnebey Center," in Fairfield County, from Glenn A. Wendland and Marilyn A. Wendland for a total of 118 acres.
- 16 Approves the release of \$420,000 from H. B. 985, Item 315-077 (Clinical Medical Sciences Education Facility-Supporting Services Phase) to be used for associate architect's fees through the bidding stage, and for other prebidding expenses for the project known as "Clinical Medical Sciences Education Facility-Supporting Services Phase."

\*

\*

\*

V. REPORTS

A. Report by President Enarson

- (1) The President also acknowledged Mr. Heinke's presence and expressed his appreciation on behalf of the University for the outstanding articles on "Program 65" written by Mr. Heinke which recently appeared in the Columbus Citizen-Journal.
- (2) President Enarson called on Dr. Moulton who reviewed the "Energy Crisis" conservation measures initiated by the University.
- (3) President Enarson gave a brief report on his recent trip to Central and South America in which he cited the many contributions made to the University of Sao Paulo during the past ten years by this University.
- (4) In response to a question by Mr. Shocknessy, the President gave a brief report to the Board on the status of the University's Black Cultural Center.

February 1, 1974 meeting, Board of Trustees

V. REPORTS (continued)

B. Report on the University's Investment Portfolio and Accountant's Report on the University Dormitory Revenue Bond Funds

The reports on the University's Investment Portfolio dated January 7, 1974 and January 25, 1974, and the Accountant's Report on the University Dormitory Revenue Bond Funds, including the financial statements of June 30, 1973, prepared by Peat, Marwick, Mitchell & Co., as submitted to the Finance and Investment Committee of the Board of Trustees, were received and ordered to be filed with the official records of the Board.

\* \* \*

VI. "TRUSTEE DAY"

Mr. Dunlap concluded the meeting by commending Dennis Sargent, President of the Undergraduate Student Government, for arranging for "Trustee Day."

\* \* \*

Thereupon the Board adjourned to meet Friday, March 1, 1974, at The Ohio State University Fawcett Center for Tomorrow, Columbus, Ohio, at 1:30 p. m.

Attest:

\_\_\_\_\_  
Edward Q. Moulton  
Secretary

\_\_\_\_\_  
John H. Dunlap  
Acting Chairman

Page 368 Blank



THE OHIO STATE UNIVERSITY  
OFFICIAL PROCEEDINGS OF THE  
ONE THOUSAND AND NINETY-FOURTH MEETING  
OF THE BOARD OF TRUSTEES

Columbus, Ohio, March 1, 1974

The Board of Trustees met at its regular monthly meeting on Friday, March 1, 1974, at The Ohio State University Fawcett Center for Tomorrow, Columbus, Ohio, pursuant to adjournment.

Present: Don M. Hilliker, Chairman, James W. Shocknessy, William C. Safford, John H. Dunlap, M. Merle Harrod, Howard D. Sirak, Patricia D. James, and Chester Devenow.

\* \* \*

Minutes of the last meeting were approved.

\* \* \*

March 1, 1974 meeting, Board of Trustees

GUEST SPEAKER

Mr. William T. Goslee, Speaker for an Ad Hoc Committee of Buckeye Village residents, was granted permission to address the Board in opposition to the proposed rent increase for Buckeye Village apartments recommended by the Office of Residence and Dining Halls.

At the conclusion of Mr. Goslee's remarks, he was questioned on the information which he presented by several members of the Board, and specifically about depreciation, utility, and personnel costs.

Dr. Armitage, Vice President for Student Services, also supplied additional information justifying the rent increase based on cost figures for the operation of these housing units.

- o -

RESOLUTIONS IN MEMORIAM

President Enarson reported to the Board the deaths of James C. Babcock, Professor Emeritus in the Department of Romance Languages; Jacob W. Old, Jr., Associate Professor in the Department of Pathology; and Palmer E. Overholt, Assistant Professor in the Department of English. In accordance with the instructions of the Board of Trustees, copies of the following resolutions expressing on behalf of the University the sorrow and sympathy of the Board will be furnished the families of the deceased.

A. James C. Babcock

The Board of Trustees of The Ohio State University expresses its sorrow at the death on January 16, 1974, of James C. Babcock, Professor Emeritus in the Department of Romance Languages.

A native of the State of Arkansas, Professor Babcock received his B.A. degree from the University of Arkansas in 1929. He received his M.A. degree in 1930 and his Ph. D. degree in 1939, both from the State University of Iowa. He then was appointed Professor of Spanish and subsequently Chairman of Spanish at the University of Chicago. During his years of service at the University of Chicago, he was deeply involved in the humanities program. In 1950, he became Professor of Spanish at Dartmouth College and later Chairman of its Department of Romance Languages. At Dartmouth he was also prominently identified with humanities courses.

In 1957 he came to The Ohio State University as Chairman of the Department of Romance Languages. He held that position until 1966. During the nine years of his Chairmanship, he was active in bringing a number of new professors to the Department. He participated in the planning of the new Language Listening Center in Denney Hall and in the early stages of the planning of Cunz Hall. He was Chairman at the period of the greatest growth of the University

March 1, 1974 meeting, Board of Trustees

RESOLUTIONS IN MEMORIAM (continued)

A. James C. Babcock (continued)

and of the greatest increase in enrollment in the Department of Romance Languages. He is happily remembered by his colleagues for his affable and urbane manner and for his understanding nature.

In 1966 Professor Babcock retired from the Chairmanship to devote his time to teaching. He was particularly interested in Spanish poetry and was co-author of a widely used textbook in beginning Spanish and of another, on French composition. For some thirty years he was the Spanish editor of Houghton Mifflin Company.

On behalf of the University, the Board of Trustees expresses to his family its deep sympathy and sense of understanding in its loss. It was directed that this resolution be inscribed upon the minutes of the Board of Trustees and that a copy be tendered to the family as a humble expression of the Board's heartfelt sympathy in its bereavement.

B. Jacob W. Old, Jr.

The Board of Trustees of The Ohio State University expresses its sorrow at the death on December 30, 1973, of Jacob W. Old, Jr., Associate Professor in the Department of Pathology.

Dr. Old was born in Louvier, Colorado, on June 6, 1921. He received his B. E. degree from the Virginia Polytechnic Institute in 1942, and his M. D. degree from Washington University in St. Louis in 1946.

Dr. Old served his internship at the Santa Barbara College Hospital, Santa Barbara, California, 1946 to 1947, and his residency as a Captain in the United States Medical Corps and as an Assistant of Pathology with the Armed Forces Institute of Pathology in Washington, D. C., from 1947 to 1950. He was certified by the American Board of Pathology and Clinical Pathology in 1950. He then served one year as a Fellow in the Department of Pathology of the M. D. Anderson Hospital, Houston, Texas, from 1950 to 1951, and an Instructor at the University of Texas Post Graduate School in the same institution from 1951 to 1953. From 1953 to 1957, he served as an Assistant Professor in Pathology at the M. D. Anderson Hospital and the University of Texas School of Medicine, Post Graduate School. From 1957 until his death, he served as Associate Professor in the Department of Pathology at The Ohio State University and on the staff of the University Hospital.

Dr. Old was identified with the teaching program in Pathology while in Texas and in Ohio. He taught tumor pathology to second year medical students and participated in the surgical pathology rounds for senior medical students and residents. He was Chairman of the Tissue Committee during his stay at The Ohio State University and his name appeared in the Bibliography of the American Men of Science in 1965.

March 1, 1974 meeting, Board of Trustees

RESOLUTIONS IN MEMORIAM (continued)

B. Jacob W. Old, Jr. (continued)

Dr. Old was always interested in medical research and published seven papers while in Texas and seven papers while at The Ohio State University, including a chapter on reserve cell hyperplasia in Gray's book on Dysplasia, Carcinoma in Situ in 1964. His proposed new classification of carcinoma in situ found wide acceptance here and abroad. In his medical writing, Dr. Old proved himself as a perfectionist who often rewrote a manuscript many times before he was satisfied with the text. His wide knowledge in dermatological pathology made him a valuable consultant to the area of skin disease and his great experience in tumor pathology, which he acquired at the M. D. Anderson Hospital, made him a valuable consultant to the Departments of Surgery and Obstetrics and Gynecology.

On behalf of the University, the Board of Trustees expresses to the family its deep sympathy and sense of understanding in its loss. It was directed that this resolution be inscribed upon the minutes of the Board of Trustees and that a copy be tendered to the family as a humble expression of the Board's heartfelt sympathy in its bereavement.

C. Palmer E. Overholt

The Board of Trustees of The Ohio State University expresses its sorrow at the death on January 27, 1974, of Palmer E. Overholt, Assistant Professor in the Department of English.

Professor Overholt was born in Fostoria, Ohio, in 1913. He received his undergraduate education at Oberlin College, the University of Arizona, and The Ohio State University, where he subsequently earned a Master's degree and completed most of the requirements for a doctorate. During World War II he worked as a chemist in a high-explosives laboratory and as a quality control engineer on a bomb-loading line. Later he worked as an advertising executive in a Columbus department store, a newspaper circulation manager, and a procedure writer for a U. S. Navy installation. He taught English on the Columbus campus of The Ohio State University from 1956 to 1962, at which time he became a member of the faculty of the Mansfield campus of Ohio State where he taught until his death.

Professor Overholt was a popular teacher with the many students who took his courses, particularly his early English course featuring Beowulf, and he was widely known in the Mansfield community. For many years he organized and produced Manuscript, a yearly compilation of outstanding literary works of students, and he had been in charge of several student writing contests, including The Florence Allen Poetry Contest. He was a member of the regional campus academic review board and was a former coordinator of the Mansfield English Department.

March 1, 1974 meeting, Board of Trustees

RESOLUTIONS IN MEMORIAM (continued)

C. Palmer E. Overholt (continued)

On behalf of the University, the Board of Trustees expresses to the family its deep sympathy and sense of understanding in its loss. It was directed that this resolution be inscribed upon the minutes of the Board of Trustees and that a copy be tendered to the family as a humble expression of the Board's heartfelt sympathy in its bereavement.

\*

\*

\*

President Enarson presented the following recommendations:

I. GENERAL RECOMMENDATIONS

A. Authorization for the Filing of Application for Grant Funds Under Title VII of the Public Health Service Act, as Amended

At its meeting on February 12, 1970, this Board authorized and directed that an application be filed with the Secretary of Health, Education and Welfare under Title VII of the Public Health Service Act, as amended, for a grant in support of the development of a Clinical Medical Sciences Education Facility (Inpatient Teaching Facility) of the College of Medicine.

The National Advisory Council on Education for Health Professions at its June 1970 meeting recommended approval of this application at a level of support not to exceed \$22, 441, 649 or 66. 67 percent of eligible costs which ever was less. Regrettably, however, Federal funds were not sufficient to fund all of the approved projects and our project was not funded. Additional Federal funds for Health Professions Education Facilities construction are now to be allocated from Federal Fiscal Year 1973 and Fiscal Year 1974 appropriations and a new application cycle has been announced by the Secretary of Health, Education and Welfare. As a part of the formal application, this Board is required to approve the following resolution in order to reapply for Federal funds for this project:

The Board of Trustees of The Ohio State University authorizes and directs that an application be filed with the Secretary of Health, Education and Welfare under Title VII of the Public Health Service Act, as amended, for a grant in support of the development of a Clinical Medical Sciences Education Facility (Inpatient Teaching Facility).

The Board designates Harold L. Enarson, President of The Ohio State University, as the person authorized to file this application and act as the representative of the University in all matters relating to this application and Edward Q. Moulton, Vice President for Business and Administration, as the alternate.

March 1, 1974 meeting, Board of Trustees

I. GENERAL RECOMMENDATIONS (continued)

A. Authorization for the Filing of Application for Grant Funds Under Title VII of the Public Health Service Act, as Amended (continued)

And finally, the Board of Trustees of The Ohio State University is cognizant of the conditions under which such grant funds are made available and approved for payment to an applicant.

President Enarson recommended that the foregoing resolution be adopted by this Board.

Upon motion of Mr. Harrod, seconded by Mr. Safford, the Board of Trustees approved the above recommendation by unanimous roll call vote.

B. Revision of Rules 29.2709, 35.07, and 37.15 of Rules for the University Faculty

The University Senate on February 12, 1974, approved revisions of Rules 29.2709, 35.07, and 37.15 of Rules for the University Faculty. The full text of the Rules as modified is attached. Briefly, the proposed changes are:

- (1) Rules 35.07 and 37.15 pertain to grades resulting from an approved petition to withdraw from a course after noon of the seventh Saturday of a quarter, and
- (2) Rule 29.2709 pertains to membership on the Council on Student Affairs and the Standing Committee on Student Affairs of University Senate.

President Enarson recommended that the changes as authorized by the University Senate be approved by the Board of Trustees and that these changes become effective upon approval by the Board.

Upon motion of Mr. Dunlap, seconded by Mr. Safford, the Board of Trustees approved the foregoing recommendation by unanimous voice vote.

C. Degrees and Certificates Conferred--Winter Quarter Commencement

President Enarson recommended that degrees and certificates be conferred at the Winter Quarter Commencement Convocation on March 15, 1974, to those students who have completed the requirements for their respective degrees and certificates and are recommended by the University Senate. The names of those awarded degrees and certificates will be included in the minutes of this meeting. (See Appendix III, page 397.)

Upon motion of Mr. Shocknessy, seconded by Dr. Sirak, the Board of Trustees approved the above recommendation by unanimous voice vote.

Revision of Rules 29.2709, 35.07, and 37.15  
of Rules for the University Faculty

On February 12, 1974, the University Senate approved changes in Rules 29.2709, 35.07, and 37.15 of Rules for the University Faculty. The text of each Rule as modified is as follows:

29.2709. Council on Student Affairs.

Section 2. The University Senate members elected or appointed to the Council on Student Affairs shall also constitute the Standing Committee on Student Affairs of the University Senate.

Section 3. The Vice President for Student Services shall be the Chairperson of the Council. A Vice Chairperson shall be designated by the University Senate members of the Council on Student Affairs, who shall also serve as Chairperson of the University Senate's Standing Committee on Student Affairs.

- o -

35.07. Marks.

W--Withdraw.

Section 4. After noon of the seventh Saturday of a quarter (third Saturday of a term) an undergraduate student, who because of extenuating circumstances finds it necessary to withdraw from one or more courses, must file the appropriate petition with the authorized representative of the Dean or Director of his enrollment unit. Upon approval of the petition, the Office of Registration and Records is authorized to enter the grade W on the student's official permanent record, and the instructor of the course will be so notified; if the petition is not approved, the student continues to be enrolled in the course.

- o -

37.15. Withdrawal from Courses.

Section 4. After noon of the seventh Saturday of a quarter (third Saturday of a term) an undergraduate student, who because of extenuating circumstances finds it necessary to withdraw from one or more courses, must file the appropriate petition with the authorized representative of the Dean or Director of his enrollment unit. Upon approval of the petition, the Office of Registration and Records is authorized to enter the grade W on the student's official permanent record, and the instructor of the course will be so notified; if the petition is not approved, the student continues to be enrolled in the course.

- o -

March 1, 1974 meeting, Board of Trustees

I. GENERAL RECOMMENDATIONS (continued)

D. Residence Hall Room and Board Rates and Rentals for North Campus Apartments

President Enarson made the following statement:

This administration continues to make every reasonable effort to hold down the costs of education in spite of the dramatic increases in costs of operating this University which we are presently experiencing. The pressures of increased costs being imposed on the operation of this University's Residence and Dining Hall Facilities and Apartments have been particularly acute during this past two-year period. Labor costs have been increased almost 25 per cent. Food costs have exceeded this amount. The problem has been compounded by our commitment to provide improved services which will attract students to these facilities rather than drive them away. In an effort to counteract these costs, numerous efficiencies and economies have been implemented both in personnel and operating budgets. Thus through these efforts we have been able to minimize the increases which must be passed on to the students utilizing these services.

I am pleased to be able to report to you that through such efforts it will not be necessary to implement an across-the-board increase in these services for this coming year. Rather, we believe that we can achieve financial stability through selective increases within those housing situations where because of special circumstances such adjustments are essential.

Accordingly, President Enarson recommended that the attached rate structure for the fiscal year 1974-75 be adopted.

Upon motion of Mr. Safford, seconded by Mr. Dunlap, the Board of Trustees approved the foregoing recommendation with the deletion of the rates for Buckeye Village apartments by unanimous roll call vote. (Consideration of the proposed increase in the rates for Buckeye Village apartments will be deferred to a later meeting.)

Mr. Hilliker added for the record that he will request a review of the proposed rates at Buckeye Village and if there is any inequity in these rates this matter will be corrected before it is considered by the Board again.



Residence and Dining Halls  
Rates 1974-75

	Meals Per Week	Current Rates 1973-74		Proposed Rates 1974-75	
		3 Quarters	Quarter	3 Quarters	Quarter
<u>Undergraduate Residence Halls<sup>1</sup></u>					
Room and Meals					
Multiple Occupancy	20	\$1,335	\$445	No Change	
Single	20	1,470	490	No Change	
Room Only					
Multiple Occupancy	--	825	275	No Change	
Single	--	960	320	No Change	
Meals Only	20	738	246	\$ 771	\$257
<u>Special Housing</u>					
<u>Stadium Dormitories<sup>1</sup></u>					
Multiple Occupancy	20	618	206	699	233
		<u>Year</u>	<u>Quarter</u>	<u>Year</u>	<u>Quarter</u>
<u>Graduate and Professional</u>					
<u>Jones Tower<sup>1</sup></u>					
Single	--	\$ 924	\$231	No Change	
Double	--	792	198	No Change	
Double as Single	--	--	--	\$1,028	\$257
<u>Morrison Tower<sup>1</sup></u>					
Single	--	840	210	876	219
Double	--	720	180	756	189
Double as Single	--	--	--	988	247
		<u>Year</u>	<u>Month</u>	<u>Year</u>	<u>Month</u>
<u>Buckeye Village<sup>2</sup></u>					
One Bedroom	--	\$1,128	\$ 94	\$1,188	\$ 99
Two Bedroom	--	1,428	119	1,500	125
<u>Neil Hall<sup>2</sup></u>					
Efficiency	--	1,080	90	No Change	
One Bedroom (2 Persons)	--	720	60	No Change	
One Bedroom (1 Person)	--	1,440	120	No Change	
Two Bedrooms (2 Persons)	--	1,080	90	No Change	
Two Bedrooms (3 Persons)	--	1,080	90	No Change	
Single Bedroom	--	1,080	90	No Change	
Double Bedroom	--	720	60	No Change	

<sup>1</sup>Effective Summer Quarter 1974

<sup>2</sup>Effective July 1, 1974

March 1, 1974 meeting, Board of Trustees

I. GENERAL RECOMMENDATIONS (continued)

D. Residence Hall Room and Board Rates and Rentals for North Campus Apartments (continued)

NORTH CAMPUS APARTMENT RENTAL RATES<sup>1</sup>

	<u>Present Rate</u>	<u>Proposed Rate</u>
<u>Lane Manor Apartments</u>		
One-Bedroom Apartment	\$ 84	\$ 92
<u>Neilwood Gables Apartments</u>		
Efficiency Apartment		
Type 1	82	90
Type 2	88	96
<u>North Campus Apartments</u>		
Two-Bedroom Apartment	103	103
One-Bedroom Apartment	84	92

<sup>1</sup> Effective July 1, 1974

\*

\*

\*

II. PERSONNEL ACTIONS

Personnel actions since the February 1, 1974 meeting of the Board, as recorded in the official "Salary Roll" of the University, include the following Appointments, Resignation, Leave of Absence Without Salary, and Emeritus Titles:

A. Appointments

Robert F. Mathis from Assistant Professor, Department of Computer and Information Science, to Assistant Dean and Secretary of the Graduate School, effective July 1, 1974, at a salary of \$19,608 per annum. Dr. Mathis will continue as Assistant Professor at No Salary in the Department of Computer and Information Science.

Albert B. Bishop from Professor in the Department of Industrial and Systems Engineering to Professor and Chairman, Department of Industrial and Systems Engineering, effective July 1, 1974, at a salary of \$29,928 per annum.

Robert Y. Hare, Professor and Director of the School of Music, effective July 1, 1974, at a salary of \$28,608 per annum.

March 1, 1974 meeting, Board of Trustees

II. PERSONNEL ACTIONS (continued)

A. Appointments (continued)

David P. Robinson from Associate Professor and Acting Chairman, Department of Slavic Languages and Literatures, to Associate Professor and Chairman, Department of Slavic Languages and Literatures, effective March 1, 1974, at a salary of \$19,858 per annum.

Tennyson Williams from Clinical Instructor in the Department of Preventive Medicine to Professor and Director of the division of Family Medicine in the Department of Preventive Medicine, effective April 1, 1974, at a salary of \$20,148 per annum. Dr. Williams will be working 50 percent time through June 14, 1974. On June 15, 1974, he will assume the position on a full-time basis at a salary of \$40,128 per annum.

B. Resignation

James C. Kirby, Jr. has resigned his position as Dean of the College of Law, effective June 30, 1974. Dean Kirby will accept a position as Vice President, General Counsel, and Secretary at New York University.

C. Leave of Absence Without Salary

Bonnie J. Garvin, Instructor, School of Nursing, effective February 18, 1974 through March 16, 1974, for personal reasons.

D. Emeritus Titles

Charles E. Blakeslee, Cooperative Extension Service, with the title Professor Emeritus, effective February 1, 1974.

Kenneth S. Rinehart, Cooperative Extension Service, with the title Associate Professor Emeritus, effective February 1, 1974.

President Enarson recommended that the Appointments, Resignation, Leave of Absence Without Salary, Emeritus Titles, and personnel budget actions as recorded in the "Salary Roll" of the University be approved.

Upon motion of Mr. Devenow, seconded by Mr. Safford, the Board of Trustees approved the foregoing recommendation by unanimous roll call vote, and the Secretary was instructed to file these changes in the "Salary Roll," an official document of the University.

\*

\*

\*

March 1, 1974 meeting, Board of Trustees

III. REPORT OF RESEARCH CONTRACTS, GRANTS, GIFTS, AND AGREEMENTS

President Enarson recommended that the following contracts and grants negotiated and monies received for the month of January be accepted.

Summary for January 1974

	No. of Projects	Support Level
Office of Fiscal Affairs and the Treasurer of the University	11	\$1,071,437.96
The Ohio State University Research Foundation	44	1,907,362.00
The Engineering Experiment Station	5	<u>19,494.00</u>
		\$2,998,293.96
	(Donors)	
The Ohio State University Development Fund	1,202	\$ 340,500.60

A detailed listing of the items in each section is shown on the following pages.

Upon motion of Mr. Safford, seconded by Mr. Shocknessy, the research agreements between The Ohio State University and The Ohio State University Research Foundation for the contracts and grants reported herein, and the acceptance of the report from the Office of Fiscal Affairs and the Treasurer of the University and The Ohio State University Development Fund were approved by unanimous voice vote.

March 1, 1974 meeting, Board of Trustees

III. REPORT OF RESEARCH CONTRACTS, GRANTS, GIFTS, AND AGREEMENTS

(continued)

A. Office of Fiscal Affairs and the Treasurer of the University

1. Federal Contracts/Grants

- a. \$197,758.00 additional grant from Department of Health, Education, and Welfare, Office of Human Development, Washington, D. C., for Structure and Performance of Programs of Child Abuse and Neglect, under the direction of Mershon Center for Education in National Security, for period July 1, 1973 through June 30, 1974. (Grant No. OCD-CB-500)
- b. \$170,632.00 granted by Department of Health, Education, and Welfare, Public Health Service, Bethesda, Maryland, for General Research Support Grant, under the direction of College of Medicine, for period January 1, 1974 through December 31, 1974. (Grant No. 5 S01 RR05409-13)
- c. \$49,300.00 additional grant from National Science Foundation, Washington, D. C., for Institutional Grant for Science, under the direction of the Graduate School. (Grant GU-3637, Amendment No. 4)
- d. \$39,606.00 granted by Department of Health, Education, and Welfare, Public Health Service, Bethesda, Maryland, for General Research Support Grant, under the direction of College of Pharmacy, for period January 1, 1974 through December 31, 1974. (Grant No. 5 S01 RR05607-08)
- e. \$22,032.00 granted by Department of Health, Education, and Welfare, Public Health Service, Bethesda, Maryland, for General Research Support Grant, under the direction of School of Nursing, for period January 1, 1974 through December 31, 1974. (Grant No. 5 S01 RR05742-03)

TOTAL - Federal Contracts/Grants \$479,328.00

2. Industrial and Other Contracts/Grants

- a. \$349,763.00 granted by National Training Fund of the Sheet Metal and Air Conditioning Industry, Washington, D. C., for training sheet metal and air conditioning apprentices in industry, under the direction of Center for Vocational and Technical Education, for period January 1, 1974 through December 31, 1974.
- b. \$120,000.00 granted by Ministry of Education and Culture of the Federative Republic of Brazil, Brazilia, Brazil, for providing technical advice and assistance for the purpose of administering a program for the planning and implementation of technical assistance in agricultural education and administration, under the direction of College of Agriculture and Home Economics, for period November 26, 1973 through June 30, 1975.

March 1, 1974 meeting, Board of Trustees

III. REPORT OF RESEARCH CONTRACTS, GRANTS, GIFTS, AND AGREEMENTS  
(continued)

A. Office of Fiscal Affairs and the Treasurer of the University (continued)

2. Industrial and Other Contracts/Grants (continued)

- c. \$57,279.96 granted by Indiana University, Bloomington, Indiana, for conducting an Education Professions Development Act Center/Satellite Project, under the direction of Academic Faculty of Special Services, for period July 1, 1973 through June 30, 1974.
- d. \$53,991.00 granted by Charles F. Kettering Foundation, Dayton, Ohio, for project Columbus in the World: The World in Columbus, under the direction of Mershon Center for Education in National Security, for period October 1, 1973 through December 31, 1974. (Grant-in-Aid No. IA 74-1)
- e. \$8,076.00 granted by Rhode Island State Department of Education, Vocational Education Core Group, Providence, Rhode Island, for Development of a Master Plan for Vocational Education in the State of Rhode Island, under the direction of Center for Vocational and Technical Education, for period February 1, 1974 through March 15, 1974.
- f. \$3,000.00 granted by Planning Systems Corporation, Columbus, Ohio, for improving business and employment opportunities in Ohio, under the direction of College of Administrative Science, for period July 1, 1973 through March 31, 1974.

TOTAL - Industrial and Other Contracts/Grants \$592,109.96

B. The Ohio State University Research Foundation

1. Federal Research Contracts/Grants

- a. \$257,547.00 from Atomic Energy Commission, Argonne, Illinois, for High Energy Physics Studies (Experimental Portion), under the direction of Department of Physics, for period October 1, 1965 through September 30, 1974. (Project 2116 - Mod. #12 and #13)
- b. \$205,975.00 from Department of Health, Education, and Welfare, Education Division, National Institute of Education, Washington, D. C., for Educational Research Information Center (ERIC) for Science, Mathematics, and Environmental Education, under the direction of Academic Faculty of Science and Mathematics Education, for period June 1, 1966 through December 31, 1974. (Project 2228 - Mod. #17)
- c. \$175,000.00 from National Aeronautics and Space Administration, Goddard Space Flight Center, Greenbelt, Maryland, for ATS-F Millimeter Wavelength Propagation Experiment, under the direction of Department of Electrical Engineering, ElectroScience Laboratory, for period January 14, 1974 through July 14, 1975. (Project 3863-A1 - New)

March 1, 1974 meeting, Board of Trustees

III. REPORT OF RESEARCH CONTRACTS, GRANTS, GIFTS, AND AGREEMENTS  
(continued)

B. The Ohio State University Research Foundation (continued)

1. Federal Research Contracts/Grants (continued)

- d. \$156,500.00 from National Science Foundation, Washington, D. C., for Mechanized Information Center, under the direction of University Libraries, for period February 1, 1971 through January 31, 1975. (Project 3182-A1 - Amend. #4)
- e. \$103,900.00 from National Science Foundation, Washington, D. C., for Real-Time Animation/Graphics as a Tool for Research, under the direction of College of The Arts, Division of Art, for period November 1, 1973 through October 31, 1974. (Project 3859-A1 - New)
- f. \$69,878.00 from Department of Health, Education, and Welfare, Public Health Service, National Institutes of Health, National Cancer Institute, Bethesda, Maryland, for Southwest Cooperative Chemotherapy Group, under the direction of Department of Medicine, for period January 1, 1974 through December 31, 1974. (Project 1094-N - Ext. #14)
- g. \$67,453.00 from Atomic Energy Commission, Argonne, Illinois, for High Energy Physics Studies, under the direction of Department of Physics, for period October 1, 1965 through September 30, 1974. (Project 2116-A - Mod. #12 and #13)
- h. \$67,343.00 from Department of Health, Education, and Welfare, Public Health Service, National Institutes of Health, National Institute of General Medical Sciences, Bethesda, Maryland, for Synthesis of Biologically Important Carbohydrates, under the direction of Department of Chemistry, for period February 1, 1974 through January 31, 1975. (Project 1820-J - Ext. #9)
- i. \$49,985.00 from Department of the Air Force, Office of Scientific Research, Arlington, Virginia, for Automatic Pattern Recognition in a Multi-Sensor Environment, under the direction of Department of Electrical Engineering, for period March 1, 1971 through December 31, 1974. (Project 3183-A1 - Mod. AFOSR-71-2048 E)
- j. \$45,000.00 from Atomic Energy Commission, Argonne, Illinois, for Kinetics of Ionizing-Radiation Induced Reactions in Organic Compounds, under the direction of Department of Chemistry, for period December 1, 1973 through November 30, 1974. (Project 1398-G - Mod. #9-1)
- k. \$44,241.00 from National Endowment for the Humanities, Office of Special Projects, Washington, D. C., for The Social Relevance of the Afro-American Experience, under the direction of Department of Black Studies, for period February 1, 1974 through February 28, 1975. (Project 3864-A1 - New)

March 1, 1974 meeting, Board of Trustees

III. REPORT OF RESEARCH CONTRACTS, GRANTS, GIFTS, AND AGREEMENTS

(continued)

B. The Ohio State University Research Foundation (continued)

1. Federal Research Contracts/Grants (continued)

- l. \$43,800.00 from National Science Foundation, Washington, D. C., for New Synthetic Reactions by the 3,2,1-Bicyclic Mechanism, under the direction of Department of Chemistry, for period January 1, 1970 through December 31, 1974. (Project 2933 - Ltr. Dtd. 1/2/74)
- m. \$41,478.00 from Department of Health, Education, and Welfare, Public Health Service, National Institutes of Health, National Heart and Lung Institute, Bethesda, Maryland, for Hypocholesterolemic Agents - Stereochemical Studies, under the direction of College of Pharmacy, for period February 1, 1974 through January 31, 1975. (Project 2769-E - Ext. #5)
- n. \$39,988.00 from Department of Health, Education, and Welfare, Public Health Service, National Institutes of Health, National Cancer Institute, Bethesda, Maryland, for Research on Preparation of Polymers Containing Carcinogenic Moieties, under the direction of Department of Chemistry, for period January 11, 1974 through January 10, 1975. (Project 3870-A1 - New)
- o. \$39,945.00 from Department of the Army, U. S. Army Research Office--Durham, Durham, North Carolina, for Stimulated Raman Scattering in Methane with Nd: YAG PUMP, under the direction of Department of Electrical Engineering, for period February 1, 1974 through January 31, 1976. (Project 3869-A1 - New)
- p. \$38,100.00 from National Science Foundation, Washington, D. C., for Wave Propagation in Heterogeneous Materials, under the direction of Department of Physics, for period July 1, 1972 through June 30, 1975. (Project 3448-A1 - Amend. #1)
- q. \$34,800.00 from National Science Foundation, Washington, D. C., for The Development of a General Theory of Information Flow and Analysis, under the direction of Department of Computer and Information Science, for period February 1, 1974 through January 31, 1976. (Project 3871-A1 - New)
- r. \$34,334.00 from Department of Health, Education, and Welfare, Public Health Service, National Institutes of Health, National Institute of Arthritis, Metabolic, and Digestive Diseases, Bethesda, Maryland, for Anti-Vascular Endothelium Antibody in Transplantation, under the direction of Department of Surgery, for period January 1, 1974 through December 31, 1974. (Project 3857-A1 - New)



March 1, 1974 meeting, Board of Trustees

III. REPORT OF RESEARCH CONTRACTS, GRANTS, GIFTS, AND AGREEMENTS  
(continued)

B. The Ohio State University Research Foundation (continued)

1. Federal Research Contracts/Grants (continued)

- s. \$31,590.00 from Department of Health, Education, and Welfare, Public Health Service, National Institutes of Health, National Institute of Neurological Diseases and Stroke, Bethesda, Maryland, for Developing a Semiconductor Gamma Camera System for Nuclear Medicine, under the direction of Department of Mechanical Engineering, for period June 30, 1972 through March 31, 1974. (Project 3495-A1 - Mod. #3)
- t. \$29,554.00 from Department of the Army, U. S. Army Medical Research and Development Command, Washington, D. C., for Isolation and Characterization of Plasmodial and Babesial Antigens, under the direction of Department of Microbiology, for period December 1, 1971 through November 30, 1974. (Project 3365-A1 - Mod. #P-403)
- u. \$23,900.00 from National Science Foundation, Washington, D. C., for Spectroelectrochemistry in Flowing Streams, under the direction of College of Pharmacy, for period June 1, 1973 through May 31, 1975. (Project 3681-A1 - Ltr. Dtd. 1/8/74)
- v. \$21,459.00 from Department of the Navy, Office of Naval Research, Arlington, Virginia, for Nucleation and Propagation Kinetics of Crystal Dissolution and Growth, under the direction of Department of Metallurgical Engineering, for period November 15, 1969 through December 14, 1974. (Project 2966 - Mod. #05)
- w. \$19,880.00 from Department of Health, Education, and Welfare, Public Health Service, National Institutes of Health, National Institute of Arthritis, Metabolic, and Digestive Diseases, Bethesda, Maryland, for Renal Lymph and Renal Function, under the direction of Department of Physiology, for period February 1, 1974 through January 31, 1975. (Project 2308-F - Ext. #6)
- x. \$19,760.00 from National Aeronautics and Space Administration, Langley Research Center, Hampton, Virginia, for Calculation of Roll Plane Patterns of Antennas Mounted on Aircraft Structures, under the direction of Department of Electrical Engineering, ElectroScience Laboratory, for period November 15, 1973 through November 14, 1974. (Project 2902-A - New)
- y. \$19,000.00 from Atomic Energy Commission, Argonne, Illinois, for Cycling of C1-36 Labeled DDT in Natural Systems, under the direction of Department of Zoology, for period September 1, 1973 through August 31, 1974. (Project 1794-G - Mod. #7-1)

March 1, 1974 meeting, Board of Trustees

III. REPORT OF RESEARCH CONTRACTS, GRANTS, GIFTS, AND AGREEMENTS  
(continued)

B. The Ohio State University Research Foundation (continued)

1. Federal Research Contracts/Grants (continued)

- z. \$17,900.00 from National Science Foundation, Washington, D. C., for Study of the Ice Sheet Dynamics Northeast of Byrd Station, under the direction of Institute of Polar Studies, for period March 1, 1974 through February 28, 1975. (Project 3855-A1 - New)
- aa. \$17,497.00 from Department of Health, Education, and Welfare, Public Health Service, National Institutes of Health, National Cancer Institute, Bethesda, Maryland, for In vitro Study of the Nature of Interaction Between Chemical and Viral Carcinogens, under the direction of Department of Veterinary Pathobiology, for period December 20, 1971 through February 19, 1974. (Project 3374-A1 - Mod. #2)
- bb. \$14,000.00 additional funds from Department of the Army, Eustis Directorate, U. S. Army Air Mobility Research and Development Laboratory, Fort Eustis, Virginia, for Investigation of Gear Dynamic Signal Analysis, under the direction of Department of Mechanical Engineering. (Project 3707-A1 - Mod. #P00001)
- cc. \$13,872.00 from Department of Health, Education, and Welfare, Public Health Service, Center for Disease Control, National Institute of Occupational Safety and Health, Rockville, Maryland, for Development and Presentation of an Instructional Course Entitled "Program Officials Guide to Contracting," under the direction of College of Administrative Science, Division of Continuing Education, for period December 26, 1973 through May 31, 1974. (Project 3854-A1 - New)
- dd. \$9,700.00 from National Science Foundation, Washington, D. C., for Study of the Qualccaya Ice Cap, Peru: A Possible Cold, Tropical Glacier, under the direction of Institute of Polar Studies, for period January 1, 1974 through September 30, 1974. (Project 3860-A1 - New)
- ee. \$7,500.00 from National Science Foundation, Washington, D. C., for Mapping of Eruption Effects, Deception Island, Antarctica, under the direction of Institute of Polar Studies, for period December 15, 1973 through December 14, 1974. (Project 3861-A1 - New)
- ff. \$2,600.00 additional funds from Department of Health, Education, and Welfare, Public Health Service, National Institutes of Health, Office of the Director, Bethesda, Maryland, for Presentation of Instructional Course Entitled "Program Officials Guide to Contracting," under the direction of College of Administrative Science, Division of Continuing Education. (Project 3804-A1 - Mod. #2)

March 1, 1974 meeting, Board of Trustees

III. REPORT OF RESEARCH CONTRACTS, GRANTS, GIFTS, AND AGREEMENTS  
(continued)

B. The Ohio State University Research Foundation (continued)

1. Federal Research Contracts/Grants (continued)

gg. \$2,500.00 from National Science Foundation, Washington, D. C., for Dry Valley Drilling Project--Geochemical and Chronological Studies in the Ice-Free Valleys, Antarctica, under the direction of Institute of Polar Studies, for period January 1, 1974 through June 30, 1975. (Project 3865-A1 - New)

TOTAL - Federal Research Contracts/Grants \$1,765,979.00

2. State of Ohio Research Contracts/Grants

a. \$6,300.00 additional funds from Ohio Department of Mental Health and Mental Retardation, Columbus, Ohio, for The Diagnosis and Treatment of Sociopathic Personality in Psychiatric Inpatients: An Alternative to Institutionalization, under the direction of Department of Psychiatry. (Project 3753-A1 - Amend. #1)

b. \$4,000.00 from Ohio Department of Economic and Community Development, Columbus, Ohio, for Conducting a Management Analysis of the Village of Urbancrest as Part of a Demonstration Plan of Community Development for Small Urbanized Communities, under the direction of College of Administrative Science, Division of Public Administration, for period January 8, 1974 through April 1, 1974. (Project 3866-A1 - New)

TOTAL - State of Ohio Research Contracts/Grants \$10,300.00

3. Industrial, Subcontracts/Grants and Other  
Non-Federal Research Contracts/Grants

a. \$27,200.00 from World Health Organization, Human Reproduction Unit, Geneva, Switzerland, for Evaluation of Immunizations of Female Baboons with Hapten-coupled Baboon Placental Lactogen as a Fertility Control Method-Task Force on Immunological Methods of Fertility Regulation, under the direction of Department of Obstetrics and Gynecology, for period January 1, 1974 through December 31, 1974. (Project 3858-A1 - New)

b. \$22,900.00 from World Health Organization, Human Reproduction Unit, Geneva, Switzerland, for Evaluation of Immunizations of Female Baboons with Hapten-coupled Baboon Placental Lactogen as a Fertility Control Method-Task Force on Immunological Methods of Fertility Regulation, under the direction of Departments of Obstetrics and Gynecology and Medical Microbiology, for period January 1, 1974 through December 31, 1974. (Project 3858-B1 - New)

March 1, 1974 meeting, Board of Trustees

III. REPORT OF RESEARCH CONTRACTS, GRANTS, GIFTS, AND AGREEMENTS  
(continued)

B. The Ohio State University Research Foundation (continued)

3. Industrial, Subcontracts/Grants and Other  
Non-Federal Research Contracts/Grants (continued)

- e. \$20,000.00 from Petroleum Research Fund, American Chemical Society, Washington, D. C., for Alicyclic Molecules with Petroleum Homoaromatic and Three-Dimensional Aromatic Ground States, under the direction of Department of Chemistry, for period September 1, 1974 through August 31, 1976. (Project 3868-A1 - New)
- d. \$16,235.00 from Kal Kan Foods, Incorporated, Columbus, Ohio, for Feeding Study, under the direction of Laboratory Animal Center, for period December 1, 1973 through November 30, 1974. (Project 3867-A1 - New)
- e. \$15,000.00 from Ohio Program in the Humanities, Columbus, Ohio, for Justice, Law, and Public Opinion: A Black Perspective, under the direction of Department of Black Studies, for period January 1, 1974 through July 31, 1974. (Project 3856-A1 - New)
- f. \$8,926.00 from North Atlantic Treaty Organization Headquarters, Belgium, for Transient Electrochemical Processes on Transiently Strained Electrodes of Fe-Cr-Ni Alloys, under the direction of Department of Metallurgical Engineering, for period January 1, 1974 through December 31, 1974. (Project 3872-A1 - New)
- g. \$8,454.00 from University of Washington, Seattle, Washington, for Investigations of the Geographic Applications of Holography, under the direction of Department of Electrical Engineering, ElectroScience Laboratory, for period July 1, 1973 through June 15, 1974. (Project 3759-A1 - P.O. 724877)
- h. \$7,300.00 from Ohio Department of Rehabilitation and Corrections, Columbus, Ohio, for Evaluation of Parole Officer Aide Program, under the direction of College of Administrative Science, Division of Public Administration, for period September 1, 1973 through May 6, 1974. (Project 3653-B1 - Ext. #1)
- i. \$5,068.00 from Rachelwood Wildlife Research Preserve, Pittsburgh, Pennsylvania, for The Effect of Undernutrition on the Reproductive Endocrinology of White Tailed Deer, under the direction of Department of Zoology, for period June 1, 1974 through May 31, 1975. (Project 3874-A1 - New)

TOTAL - Industrial, Subcontracts/Grants and Other  
Non-Federal Research Contracts/Grants \$131,083.00

March 1, 1974 meeting, Board of Trustees

III. REPORT OF RESEARCH CONTRACTS, GRANTS, GIFTS, AND AGREEMENTS  
(continued)

C. The Engineering Experiment Station

1. State of Ohio Research Contract

- a. \$5,682.00 from Ohio Department of Transportation, Columbus, Ohio, for Development of an Educational Film on Driver Eye Movements for Highway Designers and Traffic Engineers, under the direction of Department of Industrial and Systems Engineering, for period December 14, 1973 through September 13, 1974. (EES 474)

2. Industrial and Other Research Contracts

- a. \$7,500.00 from Owens Illinois Technical Center, Toledo, Ohio, for Polymer Engineering Research, under the direction of Department of Chemical Engineering, for period January 1, 1974 through January 1, 1975. (EES 408 - Ext. #3)
- b. \$3,452.00 from AMP, Incorporated, Glen Rock, Pennsylvania, for Development of a Center Draw Transducer, under the direction of Department of Engineering Mechanics, for period January 1, 1974 through April 30, 1974. (EES 473)
- c. \$1,600.00 from Pennsylvania Separator Company, Brookville, Pennsylvania, for In-Line Separator Efficiency, under the direction of Department of Mechanical Engineering, for period January 1, 1974 through May 31, 1974. (EES 438 - Ext. #3)
- d. \$1,260.00 from Monsanto Research Corporation, Dayton, Ohio, for Design Analysis of Neutron Sources for Use in Nuclear Power Reactors, under the direction of Department of Mechanical Engineering (Nuclear Division), for period January 1, 1974 through March 31, 1974. (EES 472 - Ext. #1)

TOTAL - Industrial and Other Research Contracts \$13,812.00

D. The Ohio State University Development Fund

1. Gifts of \$5,000 or More

- a. \$50,000.00 from Estate of Edith R. Harris, Delphos, Ohio, to be added to the endowed scholarship fund for students attending the Lima Regional Campus.
- b. \$30,000.00 from E. I. du Pont de Nemours & Company, Wilmington, Delaware--\$15,000.00 for the Department of Chemistry, \$10,000.00 for the Department of Chemical Engineering, and \$5,000.00 for the Department of Mechanical Engineering.

March 1, 1974 meeting, Board of Trustees

III. REPORT OF RESEARCH CONTRACTS, GRANTS, GIFTS, AND AGREEMENTS  
(continued)

D. The Ohio State University Development Fund (continued)

1. Gifts of \$5,000 or More (continued)

- c. \$27,902.50 from Florence O. Wilson, Oklahoma City, Oklahoma, for her named endowment fund for the development of the University's Ernest Q. Moore's Demonstration Farm.
- d. \$26,500.00 from Estate of Olline G. Hyman, Columbus, Ohio, for the Department of Ophthalmology for eye research.
- e. \$23,816.48 from Louise Orr Scott Foundation, Columbus, Ohio-- \$17,862.36 for scholarships in the College of Medicine and \$5,954.12 for scholarships in the College of Pharmacy.
- f. \$12,350.00 from General Motors Corporation, Detroit, Michigan, for their named scholarship fund.
- g. \$9,875.00 from The Refractories Institute, Pittsburgh, Pennsylvania, for research in the Department of Ceramic Engineering.
- h. \$7,600.00 from The Charles F. High Foundation, Bucyrus, Ohio, for its named scholarship fund.
- i. \$7,222.00 from The Grace High Washburn Trust, Bucyrus, Ohio, for its scholarship fund.
- j. \$6,000.00 from Roy and Sara Brenholts Fund, Columbus, Ohio, to support research of arthritis due to mycoplasmas.
- k. \$6,000.00 from Ciba-Geigy Corporation, Summit, New Jersey, to support endocrine research.
- l. \$5,500.00 from Johnson & Johnson, East Windsor, New Jersey, for dental research.
- m. \$5,250.00 from The Pharmaceutical Manufacturers Association Foundation, Inc., Washington, D. C., for the PMA Foundation's fellowship fund.
- n. \$5,000.00 from George H. Dunlap, Columbus, Ohio, to apply on the purchase of an argon laser machine.
- o. \$5,000.00 from Exxon Education Foundation, New York, New York, for a fellowship in chemical engineering.
- p. \$5,000.00 from Don F. Marsh, Dublin, Ohio, for the University Activities Center.

\*

\*

\*

March 1, 1974 meeting, Board of Trustees

IV. BUSINESS AND ADMINISTRATION

A. Architects or Engineers

1. Cancellation of Previous Actions - Approval of Engineers for the Projects Designated as--Hagerty Hall Air Conditioning and Derby Hall Air Conditioning

In agreement with the University's current programs and in the national interest to conserve energy, it was proposed that two of the University's Utilities and Renovation projects which were primarily air conditioning in nature be removed from active status.

These jobs have progressed only to the point of hiring engineers.

President Enarson recommended that Board action for the employment of engineers for the following projects be rescinded:

Hagerty Hall Air Conditioning  
W. E. Monks, Engineers - October 5, 1973

Derby Hall Air Conditioning  
Heapy & Associates - November 2, 1973

2. Mansfield Campus, Phase IV

President Enarson recommended that the architectural firm of Zaugg, Olinger, Zaugg, Architects, Inc., Mansfield, Ohio, be employed to provide complete architectural and engineering services for this project, including preliminary plans, basic drawings, working drawings, specifications, estimate of cost, architectural rendering, necessary bidding documents, and supervision of construction.

The fee for this service will be negotiated between the architectural firm and the Division of Public Works. The total estimated project cost is \$3,870,000.

Funds for this service have been provided from H. B. 985, Item 315-082 (Mansfield Branch, Ohio State University, in cooperation with North Central Ohio Technical College).

3. Marion Campus, Phase II

President Enarson recommended that the architectural firm of Edwards, Burris & Lockwood, Marion, Ohio, be employed to provide complete architectural services for this project including preliminary plans, basic drawings, working drawings, specifications, estimate of cost, architectural rendering, necessary bidding documents, and periodic supervision of construction.

March 1, 1974 meeting, Board of Trustees

IV. BUSINESS AND ADMINISTRATION (continued)

A. Architects or Engineers (continued)

3. Marion Campus, Phase II (continued)

The fee for this service will be negotiated between the architectural firm and the Division of Public Works. The total estimated project cost is \$2,500,000.

Funds for this service have been provided from H. B. 985, Item 315-088 (The Ohio State University, in cooperation with Marion Technical College), and H. B. 988, Item 359-001 (Marion Technical College, in cooperation with The Ohio State University).

Upon motion of Mr. Safford, seconded by Dr. Sirak, the above recommendations were approved by unanimous roll call vote.

B. Plans and Specifications

At the request of the Vice President for Business and Administration, President Enarson recommended that the plans and specifications, bills of materials, and estimates of cost for the following projects be approved by the Board of Trustees:

1. Ohio Stadium--Additional Rest Room Facilities

This project will provide additional rest room facilities on the ground level of the Ohio Stadium. Existing facilities will be approximately doubled.

Funds are budgeted in Budget Account 801288 (Athletic Revenue Funds).

2. Ohio Stadium--All Weather Track

This project will involve excavation of the track area and some other areas peripheral to the playing field, replace excavated material with controlled fill, installation of asphalt concrete subsurface and synthetic running track surfacing and synthetic surfaces for other recreational facilities in the Ohio Stadium area.

Funds are budgeted in Budget Account 801287 (Athletic Revenue Funds).

Upon motion of Mr. Dunlap, seconded by Mr. Safford, the above recommendation was approved by unanimous roll call vote, and the Secretary was authorized and directed to sign the plans and specifications for the above projects for and on behalf of the Board of Trustees. The Vice President for Business and Administration was directed to proceed with a request for bids in the normal University manner, and if satisfactory bids are received, to proceed with the award of contracts. All action regarding this matter will be reported to the Board of Trustees at a later meeting.



March 1, 1974 meeting, Board of Trustees

IV. BUSINESS AND ADMINISTRATION (continued)

C. Report of Award of Contracts

In accordance with authorization provided by the Board of Trustees, bids were taken on the projects listed below and the contracts were recommended for award. The action reported to the Board was as follows:

1. Agricultural Technical Institute, Wooster, Ohio--  
Street and Parking Lot Lighting

	<u>Low Bid</u>	<u>Est. of Cost</u>
<u>Electric Contract</u> (4 bids received 1-22-74) Mirk, Inc. (Orrville, Ohio)	\$16,211.00	\$23,000.00

Funds for this project have been provided in H. B. 985, Item 366-001 (Agricultural Technical Institute).

2. Lazenby Hall, Optometry Building (Part I), Physical  
Education Building - Interior Painting, 1974

	<u>Low Bid</u>	<u>Est. of Cost</u>
<u>General Contract</u> (4 bids received 2-19-74) L. D. Henry, Inc. (Columbus)	\$49,432.00	\$63,780.00

Funds for this project have been provided in Budget Account 125064 (Contract Repair).

Upon motion of Mr. Dunlap, seconded by Mr. Harrod, the above award of contracts and expenditure of funds were approved and the action of the Vice President for Business and Administration was ratified by unanimous roll call vote.

D. Other

1. Easement - Columbus and Southern Ohio Electric Company,  
OSU Golf Course at McCoy and Kenny Roads

The University has received a request from the Columbus and Southern Ohio Electric Company for a 5' by 20' and a 47.36' easement at the north-east corner of The Ohio State University Golf Course at Kenny and McCoy Roads. The purpose of this easement is to install underground electric cables and will be effective for a period of fifteen years.

It was recommended that the President and/or the Vice President for Business and Administration be authorized to request the Division of Public

March 1, 1974 meeting, Board of Trustees

IV. BUSINESS AND ADMINISTRATION (continued)

D. Other (continued)

1. Easement - Columbus and Southern Ohio Electric Company,  
OSU Golf Course at McCoy and Kenny Roads (continued)

Works, pursuant to their statutory duties to act on behalf of the University in developing the necessary legal instruments to provide for this easement.

Upon motion of Mr. Harrod, seconded by Mr. Safford, the above recommendation was approved by unanimous roll call vote.

E. Report of Controlling Board Actions Pertaining  
to The Ohio State University

- 17 Approves the release of \$77,992 from H. B. 985, Item 315-074 (Utilities and Renovations) to award the electrical contract work for the project known as "Substation C--Underground Cable and Equipment."
- 18 Approves the expenditure of \$85,000 from the Investment Fund to purchase the property commonly referred to as the Ott Farm.

\*

\*

\*

V. REPORTS

A. Report on Action Taken by Ohio Board of Regents

President Enarson reported that the Ohio Board of Regents at the meeting held February 15, 1974, approved the

New degree program Master of Arts in Black Studies submitted by The Ohio State University.

B. Report from the Insurance Committee

Mr. Devenow, as Chairman of the Insurance Committee of this Board, made the following recommendation:

I wish to recommend on behalf of this Committee and with the full support of the administration of the University, the establishment of a supplemental long-term disability program for the purpose of supplementing the disability benefits for those employees of this University who are presently within either the State Teachers Retirement System or the Public Employees Retirement System, and specifically, that the Teachers Insurance Annuity Association be awarded a long-term disability contract effective July 1, 1974,

March 1, 1974 meeting, Board of Trustees

V. REPORTS (continued)

B. Report from the Insurance Committee (continued)

Mr. Devenow's recommendation (continued)

at a premium rate of 21 cents per hundred dollars of payroll per year for a period of three years, subject to renewal for an additional three years based upon satisfactory performance.

In making this recommendation, I should like to point out that the need for this supplemental disability program was first brought to this Board's attention approximately three years ago by the firm of Alexander and Alexander, Inc., engaged by this Board to review the insurance program of this University. At the direction of this Board the University administration reviewed this matter and solicited the information and experience from a number of other universities, prepared the necessary bid documents and employee information, solicited bids from over forty insurance carriers, made a careful analysis of the comparative benefits versus cost, and in turn recommended that the Teachers Insurance Annuity Association be awarded this contract.

Finally, I should like to say that the Committee believes that the addition of this benefit fills a very distinct void in the current benefit package of a large segment of the employees within this University, and, accordingly, I am pleased to move the adoption of this recommendation.

Upon motion of Mr. Devenow, seconded by Mr. Safford, the Board of Trustees approved the foregoing recommendation by unanimous roll call vote.

C. Report on the University's Investment Portfolio

The report dated February 22, 1974, as submitted to the Finance Committee of the Board of Trustees by Mr. Ernest W. Leggett pertaining to the University's Investment Portfolio, was received and ordered to be filed with the official records of the Board of Trustees.

\*

\*

\*

Thereupon the Board adjourned to meet Friday, April 5, 1974, at The Ohio State University Lima Campus, Lima, Ohio, at 10:30 a.m.

Attest:

---

Edward Q. Moulton  
Secretary

---

Don M. Hilliker  
Chairman

Page 396 Blank

APPENDIX III

Degrees Conferred at  
THE OHIO STATE UNIVERSITY  
COMMENCEMENT CONVOCATION

March 15, 1974

Page 398 Blank

## Graduate School

Dean: Arliss L. Roaden

### Doctor of Philosophy

Seventy-one candidates

Kaiomars Phiroze Anklesaria, Bombay, India  
B.E. (University of Poona, India); M.S. (Carnegie-Mellon University); M.B.A. (University of Dayton)  
*Dissertation*: A Method of Analysis for the Determination of System Behavior Through the Analysis of Time-Series Nominal Data  
*Field of Specialization*: Business Administration

Robert Casmer Banasik, Columbus  
B.S.M.E. (Wayne State University); M.S. in Ind.Engr. (Texas Technological College); M.B.A.  
*Dissertation*: Partitioning the Regulator: An Investigation of the Relationship Between Regulator Part Functions and the Patient State  
*Field of Specialization*: Business Administration

Peter Nevius Bartram, Columbus  
B.S. (Michigan State University); M.S.  
*Dissertation*: Development of a Dual-Computer System Executive and Application of the System to Analysis of Extruded Plastic Sheet  
*Field of Specialization*: Chemical Engineering

Roger Lee Baur, Columbus  
B.S., M.S. (Michigan State University)  
*Dissertation*: Historical Description of Capital and Technology Changes at the Farm Level in Four Southern Brazil Regions: 1960-1969  
*Field of Specialization*: Agricultural Economics and Rural Sociology

Gregory John Blosick, Selinsgrove, Pa.  
B.S. (Bucknell University)  
*Dissertation*: Studies in Nitrenium Ion Chemistry: Cyclizations to a Nondescript Nitrogen Center  
*Field of Specialization*: Chemistry

P. Dee Boersma, Mt. Pleasant, Mich.  
B.S. (Central Michigan University)  
*Dissertation*: A Behavioral and Ecological Study of the Galapagos Penguin (*Spheniscus mendiculus*)  
*Field of Specialization*: Zoology

Linda Parrish Brady, Hillsdale, N. J.  
A.B., A.M. (Douglass College)  
*Dissertation*: Threat, Decision Time, and Awareness: The Impact of Situational Variables on Foreign Policy Behavior  
*Field of Specialization*: Political Science

Gary Vernon Branson, Mt. Vernon  
A.B. (Morehead State University); M.Ed. (Kent State University)  
*Dissertation*: The Characteristics of Upper Level Administrators in State Departments of Education and the Relationship of These Characteristics to Other State Variables  
*Field of Specialization*: Education

Frank Lewis Breedlove, Springfield  
B.S.Agr., M.A.  
*Dissertation*: Teacher and Student Assessments of the Performance Capabilities of Graduates of Agricultural-Industrial Equipment Mechanics Curricula in Joint Vocational Schools  
*Field of Specialization*: Agricultural Education

William Kent Brooks, Columbus  
B.S. (Mississippi State University)  
*Dissertation*: A Study of the Attitudes and Teaching Behaviors of Occupational Orientation Teachers in Mississippi  
*Field of Specialization*: Education

Jo Carol Brown, Columbus  
B.S., B.S.Ed., M.S.  
*Dissertation*: A Comparative Study of Patterns of Pacing and Review in a Pre-Calculus Mathematics Sequence for College Freshmen  
*Field of Specialization*: Education

James Fredrick Burson, Worthington  
B.A. (Muskingum College); M.A.  
*Dissertation*: Developing a Systematic Procedure to Basketball Film Analysis and Utilization  
*Field of Specialization*: Physical Education

Inez Cardozo-Freeman, Worthington  
B.S.Ed., M.A.  
*Dissertation*: Arnulfo Castillo, Mexican Fold-Poet  
*Field of Specialization*: Education

Shirley Ann Chase, Worthington  
B.S. in Ed., M.Ed. (University of Missouri)  
*Dissertation*: Interaction Simulation Technique as a Means for the Preparation of Home Economics Administrators  
*Field of Specialization*: Home Economics

David John Citino, Cleveland  
B.A. (Ohio University); M.A.  
*Dissertation*: From Pemberley to Eccles Street: Families and Heroes in the Fiction of Jane Austen, Charles Dickens, and James Joyce  
*Field of Specialization*: English

Richard Post Coatney, Columbus  
A.B. (University of Cincinnati); A.M. (Indiana University)  
*Dissertation*: The Effect of Activity and Responsibility Assignments on Learning From Written Materials  
*Field of Specialization*: Psychology

Nimrod Cobb, Hurtsboro, Ala.  
B.S. (Alabama Agricultural and Mechanical College); M.Ed. (Tuskegee Institute)  
*Dissertation*: Inservice Education for Black Teachers of Vocational Agriculture in Alabama  
*Field of Specialization*: Agricultural Education

- James Frederic Corum, Columbus  
B.S. (E.E.) (Lowell Technological Institute); M.S.  
*Dissertation:* An Investigation of the Anholonomic Nature of the Rotating Lorentz Transformation with Applications to Electrodynamics  
*Field of Specialization:* Electrical Engineering
- Robert Lee Daugherty, Charleston, W. Va.  
A.B., A.M. (West Virginia University)  
*Dissertation:* Citizen Soldiers in Peace: The Ohio National Guard, 1919-1940  
*Field of Specialization:* History
- Michael John Devine, Columbus  
B.A. (Loras College); M.A.  
*Dissertation:* John W. Foster and the Diplomacy of Imperialism  
*Field of Specialization:* History
- William Joseph DiBattista, Lynwood, Calif.  
B.S. (University of Rhode Island)  
*Dissertation:* Asparatate Carbamyl Transferase Activity During Different Conditions of Rat Uterine Growth  
*Field of Specialization:* Physiology
- Richard Alan Dieffenderfer, Columbus  
B.A., M.A. (State Teachers College, Trenton, New Jersey)  
*Dissertation:* Metric Contingency Study: A National Survey Concerning Problems in State Level Vocational Education Planning for Metrication  
*Field of Specialization:* Education
- Leroy Edward Erker, Wichita, Kan.  
A.B. (Saint Benedict's College); M.A.T. (Oberlin College)  
*Dissertation:* Development of an Observational Instrument to Assess the Instructional Variety of the Student Teacher of Secondary Mathematics  
*Field of Specialization:* Education
- James Lee Felty, Columbus  
A.B., A.M. (University of Missouri)  
*Dissertation:* A Quantitative Stylistic Comparison of the Oral and Written Language Habits of Twenty Ohio State University Freshmen  
*Field of Specialization:* English
- Eugene Louis Ferretti, Lockport, Ill.  
B.A. (Lewis College); M.S.  
*Dissertation:* Infrared Bands of HCNO and DCNO  
*Field of Specialization:* Physics
- Gordon Edward Fuchs, Dayton  
B.S., M.S. (University of Wisconsin)  
*Dissertation:* The Effects of Three Different Types of Student Teacher-College Supervisor Conferences upon Selected Phenomena Associated with Supervisory Conferences  
*Field of Specialization:* Education
- Charles Thorne Gaskins, Jr., Lubbock, Tex.  
B.S.Agr., M.S. (Texas Technological College)  
*Dissertation:* An Evaluation of a Range Cattle Selection Program  
*Field of Specialization:* Dairy Science
- Mark Lee Gillenson, Brooklyn, N. Y.  
B.S. (Rensselaer Polytechnic Institute); M.S.  
*Dissertation:* The Interactive Generation of Facial Images on a CRT Using a Heuristic Strategy  
*Field of Specialization:* Computer and Information Science
- Joseph Goldsten, Lexington, Va.  
B.S. (Virginia Polytechnic Institute); M.S. (Lehigh University)  
*Dissertation:* A Normative Model of Net Operating Income and the Effect of Inflation on the Market Value and Equity Interest of Multi-Family Dwelling Units  
*Field of Specialization:* Business Administration
- Roger Allan Gruenke, Dayton  
B.E.E. (University of Minnesota); M.S.  
*Dissertation:* Design, Programming, and Use of an Interactive Terminal—Computer System to Determine the Effect of Aortic Smooth Muscle on Aortic Input Impedance  
*Field of Specialization:* Electrical Engineering
- Gordon Dwight Gruetzmacher, Sinton, Tex.  
B.S. in Chem. (University of Texas)  
*Dissertation:* The Chemistry of Azasulfonium Salts  
*Field of Specialization:* Chemistry
- Robert William Hall, Columbus  
B.S.Agr., M.S.  
*Dissertation:* The Effects of Pharmacologically-Induced Reversible Aspermatogenesis and Cryptorchidism on Serum Estrogens of the Male Rat  
*Field of Specialization:* Dairy Science
- Judy Jones Hample, Jacks Creek, Tenn.  
B.A. (David Lipscomb College); M.A.  
*Dissertation:* William Wirt: A Study in Rhetorical Stance  
*Field of Specialization:* Communication
- Chester Kirk Hansen, Columbus  
B.S., M.S. (Washington State University)  
*Dissertation:* Attitudes of Students, Parents, and Public School Teachers, Compared to College of Education Faculties Concerning Career Education Concepts  
*Field of Specialization:* Education
- Anne Cole Hayes, Lexington, Ky.  
B.S. (Berea College); M.S. (University of Kentucky)  
*Dissertation:* Assessment of Eighth and Eleventh Grade Student Attitudes Toward Major Home Economics Curriculum Concepts  
*Field of Specialization:* Home Economics
- John Anthony Hilderbrand, Hialeah, Fla.  
B.S. (Florida State University); M.Ed. (University of Miami)  
*Dissertation:* A Study of Role Conflict and Credibility of Educational Evaluators in Selected Large City School Systems  
*Field of Specialization:* Education



Harold Willard Horton, Gahanna  
B.S. in Ed. (Capital University); M.A. (McCormick  
Theological Seminary); M.A. (Roosevelt University)  
*Dissertation*: A Study of the Status of Black Studies  
Programs in Universities and Colleges in the United States  
of America  
*Field of Specialization*: Education

Alan Jeffrey Katz, Columbus  
B.S., M.S.  
*Dissertation*: Some Effects of Population Structure on  
Response to Selection for Body Weight in *Drosophila*  
*melanogaster*  
*Field of Specialization*: Genetics

Edward Thomas Kelly, Arlington, Mass.  
B.S., M.S. (Massachusetts College of Pharmacy)  
*Dissertation*: An Examination of the Pharmacists  
Perceptions of Demographic and Competitive Market  
Factors  
*Field of Specialization*: Pharmacy

Lois Belton Kinney, Columbus  
B.Sc. (Wilberforce University); M.A.  
*Dissertation*: A Rhetorical Study of the Practice of  
Frederick Douglas on the Issue of Human Rights,  
1840-1860  
*Field of Specialization*: Communication

William Case Kramer, Columbus  
B.A. (University of Virginia); A.M. (Columbia  
University)  
*Dissertation*: Gordon Craig: Uber-Director, Major  
Influences on Craig's Theory and Practice  
*Field of Specialization*: Theatre

Michael Joseph Kukla, Kalamazoo, Mich.  
B.A. (Kalamazoo College)  
*Dissertation*: Thermal and Photo-Induced Hydrocarbon  
Interconversions  
*Field of Specialization*: Chemistry

Janet Pentress Laster, Milford Center  
B.S. (Murray State College); M.S.  
*Dissertation*: Effects of Home Economics Teacher  
Education Courses and Selected Experiences on Attitudes  
Concerning Self  
*Field of Specialization*: Home Economics

Charles Arthur Layne, Clayton  
B.S.Ed.; M.A. (Wright State University)  
*Dissertation*: Perception of Verbal Classroom Behavior  
by Culturally Different Students  
*Field of Specialization*: Education

James Herbert Lee, Houston, Tex.  
B.A. (North Texas State University); M.A.  
*Dissertation*: Nationalism and Education in Mexico,  
1821-1861  
*Field of Specialization*: History

Patricia Ann Lee, Columbus  
B.A., M.A. (University of Iowa)  
*Dissertation*: Impositive Speech Acts  
*Field of Specialization*: Linguistics

Helen Elizabeth Lindsay, Baltimore, Md.  
B.S., M.Ed. (State Teachers College, Towson); M.Ed.  
(Shippensburg State College)  
*Dissertation*: Sex-Role Classification of School Objects by  
Selected Second-Grade Boys from Contrasting Learning  
Environments  
*Field of Specialization*: Education

Linn Earl Miller, Jr., Lewisburg  
B.S.E., M.S. (University of Michigan)  
*Dissertation*: Application of Differential Games to  
Pursuit-Evasion Problems  
*Field of Specialization*: Industrial and Systems  
Engineering

Ray Napoleon Moses, Jr., Fairborn  
B.A.E. (Georgia Institute of Technology)  
*Dissertation*: The Evolution of Solar Active Regions  
*Field of Specialization*: Astronomy

Lizbeth Fay Myrko, Youngstown  
B.A. (Bowling Green State University); M.S.  
*Dissertation*: Health and Illness in Rural America  
*Field of Specialization*: Agricultural Economics and Rural  
Sociology

Janice Winne Palm, Jonesville, N. Y.  
B.A.  
*Dissertation*: Correlation of Physiological Activity with  
Ultrastructural Changes in the Carotid Body of the Cat  
*Field of Specialization*: Pharmacology

William Gerald Platt, Detroit, Mich.  
B.S. (Michigan State University); M.B.A. (Wayne State  
University); M.A.  
*Dissertation*: Conceptual Analysis of the Base Sharing  
Approach to Reducing Metropolitan Fiscal Disparities  
*Field of Specialization*: Public Administration

Joseph Matthew Plecnik, New Middletown  
B.E. (Youngstown University); M.S.  
*Dissertation*: Optimization of Engineering Systems Using  
Extended Geometric Programming  
*Field of Specialization*: Civil Engineering

James Patrick Reilly, Columbus  
B.S. (Pennsylvania State University); M.S.  
*Dissertation*: Station Position Determination from  
Correlated Satellite Observations in the NGS/DOD  
(BC-4) Worldwide Network  
*Field of Specialization*: Geodetic Science

Edward Lloyd Rice, Columbus  
A.B. (West Virginia University);  
B.S. in Ed. (Morris Harvey College); M.A.  
*Dissertation*: The Influence of the Reformation on  
Nuremberg's Provisions for Social Welfare 1521-1528  
*Field of Specialization*: History

Helen Wilkinson Richter, Milledgeville, Ga.  
A.B. (Woman's College of Georgia); M.S.  
*Dissertation*: The Radiolysis of Deuterium Oxide Vapor:  
Mechanisms for the Production of Hd-Molecules in the  
Presence of Protium and Propane Radical Scavengers  
*Field of Specialization*: Chemistry

- Daniel Louis Schneid, Columbus  
B.S. (West Virginia Institute of Technology);  
M.S. (Florida State University)  
*Dissertation*: Social Responsibility: An Empirical Test of Significance  
*Field of Specialization*: Business Administration
- Robert Dean Sedoris, Springfield  
B.S.Ed., M.A.  
*Dissertation*: An Analysis of Selected Aspects of Student Teaching Abroad  
*Field of Specialization*: Education
- Long-Chin Shieh, Huaiien, Taiwan  
B.S. (National Taiwan University);  
M.S. (University of Houston)  
*Dissertation*: A Study of Frequency Variation in Ultrasonic Transducers  
*Field of Specialization*: Engineering Mechanics
- Larry Anthony Shockling, Canton  
B.M.E., M.S.  
*Dissertation*: Hysteretic Load-Deflection Characteristics of Mechanically Coupled Tubular Assemblies  
*Field of Specialization*: Mechanical Engineering
- John Michael Showalter, Lancaster  
B.A., M.A.  
*Dissertation*: Test Anxiety Reduction: A Comparison of Three Approaches  
*Field of Specialization*: Education
- Steven Alan Shull, Columbus  
B.S. (Manchester College); M.A. (Ball State University);  
M.A.  
*Dissertation*: A Comparative Examination of Agency Policy Response to Structural, Environmental, and Budgetary Stimuli  
*Field of Specialization*: Political Science
- Sirichai Sirikaya, Nontabure, Thailand  
B.A. (Chulalongkorn University); M.A.  
*Dissertation*: An Exploratory Investigation of Communication Media Variables in Relation to National Behavior Variables: A Cross-National Study  
*Field of Specialization*: Communication
- John S. Skuratowicz, Berwyn, Ill.  
B.S., M.S. (Trinity University)  
*Dissertation*: Synthesis and Characterization of Some Complexes Containing Macrocytic Liquids Derived from Acid Salts of Ortho-Aminobenzaldehyde  
*Field of Specialization*: Chemistry
- Shu Shen Sun, Taipei, Taiwan  
B.S.E. (Taiwan Cheng Kung University);  
M.S. (University of North Dakota)  
*Dissertation*: A Theoretical Study of Gaits for Legged Locomotion Systems  
*Field of Specialization*: Electrical Engineering
- Pankajam Sundaram, Madras, India  
B.Sc., M.Sc. (Fatima College of Madras)  
*Dissertation*: An Exploratory Use of the Simulation Technique in Studying Planning Abilities and Decision Making Patterns Among Indian Couples  
*Field of Specialization*: Home Economics
- Thomas Lindsay Terrall, Marion  
B.S. (Capital University)  
*Dissertation*: Polarization from Scattering Polarized Spin-1 Particles on Unpolarized Spin-1 Particles  
*Field of Specialization*: Physics
- Stephen Scott Ulrey, Dordrecht, Holland  
B.S. (West Virginia University)  
*Dissertation*: Bifunctional Catalysis of  $\beta$ -Hydrogen Exchange in Isobutyraldehyde-2-d by Octakis-O-(3-Aminopropyl) sucrose  
*Field of Specialization*: Chemistry
- Thomas Michael Walsh, East Liverpool  
B.S.E.E. (Ohio University); M.S. in Engr. (University of Akron)  
*Dissertation*: Attitude Determination of a Spinning Spacecraft Through Application of Detected and Identified Star Transits to the Estimation of Spacecraft Model Parameters  
*Field of Specialization*: Electrical Engineering
- Norman Dean Wheatercraft, Canton  
B.A., M.A.  
*Dissertation*: Francis Coventry's *Pomey the Little*: An Historical, Textual, and Critical Study  
*Field of Specialization*: English
- Robert Howard Zerbst, Columbus  
B.A. (Miami University); M.A., M.B.A.  
*Dissertation*: The Determinants of Single Family Residential Property Values with Special Reference to the Measurement of Housing Quality and Environmental Factors  
*Field of Specialization*: Business Administration

**Certificate of Specialist  
in Educational Administration**

One candidate

Terry Lee Russell, Shelby  
B.S.Ed. (Ohio University); M.A.  
(Western Reserve University)

**Master of Accounting**

Three candidates

Suleiman Othman Abusubha,  
Amman, Jordan  
B.Com. (Ain Shams University,  
Egypt)  
*Field of Specialization:* Accounting

Stuart Harvey Kaplow,  
University Heights  
B.A.  
*Field of Specialization:* Accounting

Alan Tunis Lord, Columbus  
B.S.Bus.Adm., M.A.  
*Field of Specialization:* Accounting

**Master of Architecture**

Two candidates

Tzih Lin, Bangkok, Thailand  
B.A. (Tunghai University)  
*Field of Specialization:* Architecture

Yicheng Egan Lin,  
Kaohsiung, Taiwan  
B.E. (Chung Yuan Christian College)  
*Field of Specialization:* Architecture

**Master of Arts**

One hundred and twenty-one candidates

Arroyo Wilfredo Alequin,  
Maricao, Puerto Rico  
B.A. (University of Puerto Rico)  
*Field of Specialization:* Education

Charles Edward Alexander,  
Albany, Ga.  
B.S. (Albany State College)  
*Field of Specialization:* Physical  
Education

Edith Kroo Allouche, Hyattsville, Md.  
B.A.  
*Field of Specialization:* Education

Ronald Alan Ash, Columbus  
B.S.  
*Field of Specialization:* Psychology

David William Ball, Pickerington  
B.S.  
*Field of Specialization:* Public  
Administration

Steven Curtis Ballard, Galesburg, Ill.  
B.A. (University of Arizona)  
*Field of Specialization:* Political  
Science

Marian Zornow Berliner, Columbus  
A.B. (Stanford University)  
*Field of Specialization:* English

Jeffrey James Blaga, Cincinnati  
B.S.Ed.  
*Field of Specialization:* Education

Marie Welch Blake, Columbus  
B.S.Ed.  
*Field of Specialization:* Education

Lewis Bogaty, Englewood, N. J.  
B.A. (George Washington University)  
*Field of Specialization:* English

Mark Philip Bohlmann, Columbus  
B.A. (Miami University)  
*Field of Specialization:* Public  
Administration

Allen Ray Boyd, Jr., Columbus  
B.S.Ed. (Ohio University)  
*Field of Specialization:* Education

Edward Darrel Bozeman, III,  
Columbus  
B.S.Ed.  
*Field of Specialization:* Education

Timothy Todd Brechbill, Canton  
B.A.  
*Field of Specialization:* Philosophy

James Bryant, III, Grove City, Pa.  
B.A. (University of Pittsburgh)  
*Field of Specialization:* Political  
Science

Clara Jahrling Bunk, Worthington  
B.A. (State University of New York  
at Albany)  
*Field of Specialization:* Education

Linda Baughman Burmeister,  
Columbus  
B.S.Ed.  
*Field of Specialization:* Education

Ann Everal Callis, Louisville, Ky.  
B.A. (University of Louisville)  
*Field of Specialization:* Theatre

Dwayne Eugene Channell, Seneca  
B.S.Ed.  
*Field of Specialization:* Education

Joel Peter Chermonte, Columbus  
B.A.Ed. (University of Akron);  
M.Div. (Methodist Theological  
School)  
*Field of Specialization:* Education

Robert John Cirino, Euclid  
B.A. (John Carroll University)  
*Field of Specialization:* Education

Richard Everette Coldwell, Columbus  
B.A. (Otterbein College)  
*Field of Specialization:* Education

John Gwyn Cole, Springfield  
B.A. (Denison University)  
*Field of Specialization:* Journalism

Shirley Ann Klutts Cutler, Springfield  
B.Mus. (University of Rochester)  
*Field of Specialization:* Music

Jeanne Elizabeth Daniel, Tiffin  
B.Com.Sc. (Tiffin University)  
*Field of Specialization:* Education

William Richard Davies, III,  
Bay Village  
B.A. (Baldwin-Wallace College)  
*Field of Specialization:* Physical  
Education

Frederick Albert Day, Granville  
A.B. (Syracuse University)  
*Field of Specialization:* Geography

Anne Elizabeth Deam, Springfield  
B.A. (Wright State University)  
*Field of Specialization:* Romance  
Languages and Literatures

Marilyn Kay Eshelman,  
Council Bluffs, Ia.  
B.S. (Iowa State University)  
*Field of Specialization:* Psychology

Larry Eskridge, Shaker Heights  
B.A.  
*Field of Specialization:* Education

Darlene S. Eubanks,  
Chattanooga, Tenn.  
B.S. (Tennessee State University)  
*Field of Specialization:* English

Nathaniel E. Fitz, Columbus  
B.S. (Florida Agricultural and  
Mechanical University)  
*Field of Specialization:* Education

- Donna Lee Fitzpatrick, Columbus  
B.S. (University of Florida)  
*Field of Specialization*:  
Communication
- Glennaldyn Ord Fradd,  
West Jefferson  
A.B.Ed. (Glenville State College)  
*Field of Specialization*: Education
- David Kerwin Frank, Covington  
B.A. (Miami University)  
*Field of Specialization*: Public  
Administration
- Donatella Vigo Glod, Columbus  
B.A.  
*Field of Specialization*: Romance  
Languages and Literatures
- George Daniel Goehring, Jr., Dayton  
B.S. (Wright State University)  
*Field of Specialization*: Philosophy
- Joel Irwin Gottlieb, Brooklyn, N. Y.  
B.A. (Queens College)  
*Field of Specialization*: Public  
Administration
- Margaret Ellen Griffiths, Pomeroy  
B.S. in Educ. (Kent State University)  
*Field of Specialization*: Education
- Richard George Grumney, Galena  
B.S. in B.A. (Bowling Green State  
University)  
*Field of Specialization*: Public  
Administration
- Chiang-Ning Lucy Han,  
Tainan, Taiwan  
B.A. (National Taiwan University)  
*Field of Specialization*: East Asian  
Languages and Literatures
- John In Ling Han, Chiayi, Taiwan  
B.A. (National Cheng Chi University)  
*Field of Specialization*: Journalism
- Randall Jay Hart, Willoughby  
B.S.Ed.  
*Field of Specialization*: Education
- Arnold Michael Hartstein,  
Brooklyn, N. Y.  
B.A. (Brooklyn College)  
*Field of Specialization*: English
- Sally Huey Hess, Columbus  
A.B. (West Virginia University)  
*Field of Specialization*: English
- David Michael Holt, Sharon, Pa.  
B.A. (University of Rochester)  
*Field of Specialization*: Philosophy
- Marsha McMurry Howell, Columbus  
B.A. (Mount Union College)  
*Field of Specialization*: Education
- Paul Howard Hysell, Columbus  
B.S.Ed.  
*Field of Specialization*: Education
- Oguguo M. B. Igwe, New York, N. Y.  
B.A. (University of Nigeria)  
*Field of Specialization*: Physical  
Education (Health Education)
- Lana Lee Livezey Irvin, Columbus  
B.A. (Purdue University)  
*Field of Specialization*: Education
- Robert Marshall Jones, Columbus  
B.S.Ed.  
*Field of Specialization*: Physical  
Education (Health Education)
- Elizabeth McKenzie Keller,  
Grove City  
B.A. (Grove City College,  
Pennsylvania)  
*Field of Specialization*: Education
- Kathleen Agnes Kelly, Akron  
B.A. (Saint Mary's College, Indiana)  
*Field of Specialization*: English
- Marilyn Adrian Kirschen,  
Glenwood, Ill.  
A.B. (University of Illinois)  
*Field of Specialization*: History
- Tahlman Krumm, Jr., Columbus  
B.A.; B.A. (University of Southern  
Florida)  
*Field of Specialization*: Journalism
- Peggy Shu Chin Lee,  
Kaohsiung, Taiwan  
B.A. (State University of New York  
at Binghamton)  
*Field of Specialization*: Art
- Jean Willis LeLoup, Columbus  
B.A. (Wittenberg University)  
*Field of Specialization*: Romance  
Languages and Literatures
- Richard Jay Levin, South Euclid  
A.B. (Washington University)  
*Field of Specialization*: Economics
- Todd Vernon Lewis, Fullerton, Calif.  
B.A. (Biola College)  
*Field of Specialization*:  
Communication
- Betty Carol Lightfoot, Hilliard  
B.S.Ed.  
*Field of Specialization*: Education
- Barbara Koch Lindamood, Columbus  
B.A. (Mount Union College)  
*Field of Specialization*: Education
- Mark Eric Lunsford, Columbus  
B.Mus.Ed.  
*Field of Specialization*: Music
- Stephen Clarence Lunsford,  
Orlando, Fla.  
B.A. (Florida Presbyterian College)  
*Field of Specialization*: Philosophy
- Mark Marion Lutz, Minerva  
B.A.  
*Field of Specialization*: Political  
Science
- Edward Dennis Makruski, Columbus  
B.A.  
*Field of Specialization*: Philosophy
- Dorothy Ann Martin, Columbus  
B.S.Ed. (West Virginia State College)  
*Field of Specialization*: Education
- Carole Williams Mauney, Columbus  
B.A. (Lenoir-Rhyne College)  
*Field of Specialization*: Education
- Alan Brent McConkie, Columbus  
B.A. (University of Utah)  
*Field of Specialization*: Psychology
- Nancy Lou McConnell, Mansfield  
B.S. (Ashland College)  
*Field of Specialization*: Education
- Marticia Day McFarren, Columbus  
B.S.Ed. (Otterbein College)  
*Field of Specialization*: Education
- Harry Kenneth McLaughlin,  
Sandusky  
B.S. (Pennsylvania State University)  
*Field of Specialization*: Education
- Roseanne Rini Mullen,  
Cleveland Heights  
B.S.Ed. (Cleveland State University)  
*Field of Specialization*: English
- Fatma Esen Mutluay, Waco, Tex.  
B.A. (Robert College, Turkey);  
M.S. (Baylor University)  
*Field of Specialization*: Economics
- Mary Kotatis Nearhood, Ashland  
B.A. (Ashland College)  
*Field of Specialization*: Classics
- Marlene Landau Neiman, Columbus  
B.S.Ed.  
*Field of Specialization*: Education

Lillian White Niese, Mt. Giload  
R.S.Ed. (Bowling Green State  
University)  
*Field of Specialization: Education*

Ronald Elliot Nusenoff,  
Worcester, Mass.  
A.B. (Cornell University)  
*Field of Specialization: Philosophy*

Alicia Ortega, Dayton  
B.A. (Wright State University)  
*Field of Specialization: Romance  
Languages and Literatures*

Richard Gabriel Palacios,  
San Francisco, Calif.  
B.A. (Saint Mary's College of  
California)  
*Field of Specialization: Romance  
Languages and Literatures*

Roy Elbert Palmer, Jr., Logan  
R.A. (Otterbein College)  
*Field of Specialization: Education*

Eugene Philip Parker, Columbus  
B.A.  
*Field of Specialization: Philosophy*

David James Parks, Kirtland  
B.A. (Cleveland State University)  
*Field of Specialization: Business  
Administration*

Timothy James Perri,  
Winchester, Ky.  
B.S. (University of Kentucky)  
*Field of Specialization: Economics*

Joan Ramme Petersilia,  
Pacific Palisades, Calif.  
B.A. (Loyola University)  
*Field of Specialization: Sociology*

Judith Mayer Pfaltzgraf, Columbus  
B.S.Ed. (Wittenberg University)  
*Field of Specialization: Education*

Ann Peters Phillips, Ashville  
B.S. (Miami University)  
*Field of Specialization:  
Communication*

Goldie Woodyard Plank, Columbus  
B.S.Ed.  
*Field of Specialization: Education*

Peter Michael Pope, Spokane, Wash.  
B.A. (University of Washington)  
*Field of Specialization: English*

Carol Jean Poppe, New Bremen  
B.S.Ed.  
*Field of Specialization:  
Communication*

Dorothy J. Carter Purviance,  
Westerville  
B.S.Soc.Wel.  
*Field of Specialization: Education*

Hal Griffin Rainey, Lexington, Ky.  
B.A. (University of North Carolina)  
*Field of Specialization: Psychology*

Sheila Belle Rowlette, Petersburg, Va.  
B.A. (Virginia State College)  
*Field of Specialization: Political  
Science*

Susan Elaine Rowley, Columbus  
B.S.Ed.  
*Field of Specialization: Education*

Karen Ann Russell, Columbus  
R.S.Ed.  
*Field of Specialization: Education*

John Walter Scharer, Marion  
B.S.Ed. (Ohio Northern University)  
*Field of Specialization: Education*

Jeffrey Alan Schwamberger,  
Louisville, Ky.  
B.A. (University of Dayton)  
*Field of Specialization: Theatre*

Jack Howard Schwarz, Bayside, N. Y.  
B.A. (Queens College)  
*Field of Specialization: English*

Harry Searles, Columbus  
B.S.Ed.  
*Field of Specialization: Education*

Paul Simon Shaker, Orrville  
B.A.  
*Field of Specialization: Education*

Gregory Monroe Shreve,  
Hilton Head Island, S. C.  
B.A.  
*Field of Specialization: Anthropology*

Berlin Edward Snyder, III,  
Philippi, W. Va.  
A.B. (West Virginia University)  
*Field of Specialization: Economics*

Semra Somersan, New York, N. Y.  
B.A. (Robert College, Turkey)  
*Field of Specialization: Psychology*

Norman Joseph Spitzig, Jr.,  
Cincinnati  
A.B. (Boston College)  
*Field of Specialization: Philosophy*

Paul Stann, Sunnyvale, Calif.  
B.A. (Alliance College)  
*Field of Specialization: Slavic  
Languages and Literatures*

Rozanne Spigner Stern, Columbus  
B.A. (State University of New York  
at Buffalo)  
*Field of Specialization: Education*

Marie Lucile Stoaan, Wooster  
B.S.Ed., B.A.  
*Field of Specialization: Education*

Robert Adair Stough,  
Somerville, Mass.  
B.A. (University of Toledo)  
*Field of Specialization: Philosophy*

Linda Smith Stowell, Poway, Calif.  
B.A. (University of California,  
Santa Cruz)  
*Field of Specialization: Anthropology*

Gary Franklin Suttles, Columbus  
B.A.  
*Field of Specialization: Public  
Administration*

Harry James Swearingen, Columbus  
B.A. (College of Steubenville)  
*Field of Specialization: Education*

Jacqueline Nancy Taylor, Marion  
B.S.Ed.  
*Field of Specialization: Education*

Virginia Ruth Thompson, Columbus  
B.S.Ed. (Miami University)  
*Field of Specialization: Education*

Brent Wayne Todd, Ogden, Utah  
B.A. (Weber State College)  
*Field of Specialization: English*

Joseph Thomas Tolliver, Akron  
B.A.  
*Field of Specialization: Philosophy*

David Eugene Wagner, Columbus  
B.A.  
*Field of Specialization: East Asian  
Languages and Literatures*

Patricia McClellan Waller, Columbus  
B.A. (Michigan State University)  
*Field of Specialization: Education*

Jennings Allen Ward, Columbus  
B.S.Ed.  
*Field of Specialization: Education*

Robert Edwin Wayland, Columbus  
B.S.Bus.Adm.  
*Field of Specialization: Economics*

Marian Frances Weiss,  
University Heights  
B.Ed. (University of Toledo)  
*Field of Specialization: Education*

Joel Robert Wish, Columbus  
B.A. (Alfred University)  
*Field of Specialization: Psychology*

Susanne Marie Wrhen, Columbus  
B.S.Ed. (Otterbein College)  
*Field of Specialization: Education*

## Master of Business Administration

Twenty-one candidates

John Russell Bishop, Zanesville  
B.S.M.E.  
*Field of Specialization: Business Administration*

Washington D. Caldwell, Jr.,  
Middletown  
B.S. in B.A. (Sacramento State  
College)  
*Field of Specialization: Business Administration*

Barry William Cole, Columbus  
B.S.Bus.Adm.  
*Field of Specialization: Business Administration*

Leonard Ronald Copeland, Cincinnati  
B.S. (Central State College)  
*Field of Specialization: Business Administration*

Robert Jack Crall, Columbus  
B.E.E.  
*Field of Specialization: Business Administration*

Jeffrey Alan Davidson, Tiffin  
B.A. (Ohio Northern University)  
*Field of Specialization: Business Administration*

Keith Alan Dunnigan, Westerville  
B.Ch.E.  
*Field of Specialization: Business Administration*

Stephen Evans Dutton, Mansfield  
B.A. (Ohio Wesleyan University)  
*Field of Specialization: Business Administration*

Rodney Keith Evans, Columbus  
B.S.Bus.Adm.  
*Field of Specialization: Business Administration*

Gregory Nicholas Geaman, Warren  
B.W.E.  
*Field of Specialization: Business Administration*

William Hardy Giffen, Chagrin Falls  
B.A. (Allegheny College)  
*Field of Specialization: Business Administration*

Jay Charles Juliussen, Columbus  
B.A., B.S.Ed.  
*Field of Specialization: Business Administration*

Donald Albert Kadunc, Euclid  
B.M.E., M.S., M.S.  
*Field of Specialization: Business Administration*

Mark Allen Lettes, West Haven, Conn.  
B.S. (University of Connecticut)  
*Field of Specialization: Business Administration*

Delbert Joseph Mack, Amherst  
B.S. (United States Merchant  
Marine Academy)  
*Field of Specialization: Business Administration*

Douglas J. Niemeyer, Sidney  
B.M.E., M.S.  
*Field of Specialization: Business Administration*

Craig Weston Robb, Columbus  
B.E.E.  
*Field of Specialization: Business Administration*

Terry Vincent Sherburn, Columbus  
B.M.E.  
*Field of Specialization: Business Administration*

Donald Leo Simcox, Columbus  
B.S.Bus.Adm.  
*Field of Specialization: Business Administration*

Charles B. Sweeney, Jr., Columbus  
B.A. (Hiram College)  
*Field of Specialization: Business Administration*

William David Wood, Columbus  
B.C.E.  
*Field of Specialization: Business Administration*

## Master of City Planning

Fifteen candidates

Richard Charles Bernhardt,  
Nashville, Tenn.  
B.S. (Auburn University)  
*Field of Specialization: City and Regional Planning*

James David Cool, Marshall, Minn.  
B.A. (University of Minneapolis)  
*Field of Specialization: City and Regional Planning*

Thomas James Dearing,  
Williamsville, N. Y.  
B.A. (Canisius College)  
*Field of Specialization: City and Regional Planning*

Peggy Lou Drake, Pittsburgh, Pa.  
B.A. (College of William and Mary)  
*Field of Specialization: City and Regional Planning*

Paul Howard Goesling,  
Milwaukee, Wis.  
B.S. (University of Wisconsin)  
*Field of Specialization: City and Regional Planning*

William Leroy Hart, Oberlin  
A.B. (Oberlin College)  
*Field of Specialization: City and Regional Planning*

Thomas James Lando, Willows, Calif.  
B.A. (University of the Pacific);  
M.A.  
*Field of Specialization: City and Regional Planning*

Bruce Alden Langner, Columbus  
B.A. (Wittenberg University)  
*Field of Specialization: City and Regional Planning*

Frank Edward Lucician,  
Maple Heights  
B.A. (Gannon College)  
*Field of Specialization: City and Regional Planning*

Craig Bien Mahlman, Columbus  
A.B. (Grove City College,  
Pennsylvania)  
*Field of Specialization: City and Regional Planning*

Samuel Andrew Mutch, Columbus  
B.A. (Marietta College)  
*Field of Specialization: City and Regional Planning*

Benoit Joseph Poisson, Jr., Columbus  
B.A. (Fairfield University)  
*Field of Specialization: City and Regional Planning*

Charles Edwin Regele, Columbus  
B.A. (Wheeling College)  
*Field of Specialization: City and Regional Planning*

Steven Marc Salomon, Columbus  
B.S.C.E. (University of Cincinnati)  
*Field of Specialization: City and Regional Planning*

Richard Edward Wollmershauser,  
Cincinnati  
B.S.E. (Princeton University);  
M.B.A. (Xavier University)  
*Field of Specialization: City and Regional Planning*

**Master of Fine Arts**

Three candidates

Betty Hebden Collings, Columbus  
B.F.A.  
*Field of Specialization: Art*

Walter Alexander Didur,  
Parsippany, N. J.  
A.B. (Wilmington College)  
*Field of Specialization: Art*

Jane Warnock Finneran, Worthington  
B.F.A.  
*Field of Specialization: Art*

**Master of Music**

One candidate

Bodil Gjodvad Frolund, Westerville  
*Field of Specialization: Music*

**Master of Public Administration**

One candidate

Leonard Franklin Blanton,  
Lakewood, Calif.  
B.S. (Berea College)  
*Field of Specialization: Public  
Administration*

**Master of Science**

One hundred and thirty-one candidates

Oladipo Kokumo Akinkuolie,  
Ondo, Nigeria  
B.S. (University of Ibadan)  
*Field of Specialization: Poultry  
Science*

Kathleen Foreman Austin,  
Oak Harbor  
B.S.H.E.  
*Field of Specialization: Home  
Economics*

Steven Ralph Bartels, Hamilton  
B.S. (Wilmington College)  
*Field of Specialization: Agricultural  
Education*

Samuel Jerome Basham, Jr., Columbus  
B.S. in M.E. (University of  
Kentucky)  
*Field of Specialization: Nuclear  
Engineering*

Richard Irwin Baum, Brooklyn, N. Y.  
B.S. (Cornell University)  
*Field of Specialization: Computer and  
Information Science*

Richard Alan Berthiaume,  
Hialeah, Fla.  
B.S. (United States Air Force  
Academy)  
*Field of Specialization: Physics*

Dietrich Nelson Bieser, Dayton  
B.S.  
*Field of Specialization: Natural  
Resources*

David Scott Birsa, Columbus  
B.S.  
*Field of Specialization: Geology and  
Mineralogy*

Douglas Lee Blair, Columbus  
B.S.C.I.S.  
*Field of Specialization: Computer and  
Information Science*

Daniel E. Blickenstaff, Columbus  
B.S.  
*Field of Specialization: Zoology*

Stephen Arnold Boeder, Lima  
B.S.Agr.  
*Field of Specialization: Natural  
Resources*

James Albert Booth, Chillicothe  
B.S., M.S. (Bowling Green State  
University)  
*Field of Specialization: Nuclear  
Engineering*

William Urban Borger, St. Henry  
B.S. (Indiana Institute of  
Technology)  
*Field of Specialization: Electrical  
Engineering*

Michael Alan Borland, Chillicothe  
B.G.S. (Ohio University)  
*Field of Specialization: Natural  
Resources*

Barry John Brinkman, Worthington  
B.S. (University of Notre Dame)  
*Field of Specialization: Computer and  
Information Science*

Mary Frances Brunner, Louisville  
B.S.  
*Field of Specialization: Zoology*

Dennis Wayne Burdette,  
Richmond, Ind.  
B.S.I.E. (Purdue University)  
*Field of Specialization: Industrial and  
Systems Engineering*

Sister Mary Paul Buser, Salina, Kan.  
A.B. (Marymount College); A.M.,  
Ph.D. (Saint Louis University)  
*Field of Specialization: Computer and  
Information Science*

Lee Mark Butler, Columbus  
B.A., D.D.S.  
*Field of Specialization: Dentistry*

David Clinton Carr, Columbus  
B.S. (Michigan State University)  
*Field of Specialization: Electrical  
Engineering*

Yi-Way Chang, Taipei, Taiwan  
B.S. (National Taiwan University)  
*Field of Specialization: Horticulture*

Hsiang-Chun Sylvia Chen,  
Taipei, Taiwan  
B.S. (National Taiwan University)  
*Field of Specialization: Entomology*

Gerald Lee Cook, Vermont, Ill.  
B.S. (United States Air Force  
Academy)  
*Field of Specialization: Physics*

Teryl Timothy Craig, Ripley  
B.S.A.A.E.  
*Field of Specialization: Mechanical  
Engineering*

Raul Gonzalo Cuero, Tiffin  
B.A. (Universidad de Valle,  
Colombia); B.S. (Heidelberg College)  
*Field of Specialization: Plant  
Pathology*

Sandra Heasley Czajka, Mansfield  
B.A. (Ohio Wesleyan University)  
*Field of Specialization: Chemistry*

Keith Donner Davis, Columbus  
D.D.S. (Loyola University, Illinois)  
*Field of Specialization: Dentistry*

Robert Henry Doeringer, South Euclid  
B.S.  
*Field of Specialization: Microbiology*

Harry Elliott Downs, Jr., Newark  
B.S. (Memphis State University)  
*Field of Specialization: Computer and  
Information Science*

Carolyn Summers Edwards,  
Long Beach, Calif.  
B.A. (California State College)  
*Field of Specialization: Home  
Economics*

Mamdouh Ayad El-Maraghy,  
Cairo, Egypt  
B.C.E. (Cairo University)  
*Field of Specialization: Civil  
Engineering*

Kamran Firooz, Baton Rouge, La.  
B.S. (Louisiana State University)  
*Field of Specialization: Electrical  
Engineering*

- Wilbur Francis Forester, Jr.,  
East Liverpool  
B.S.E.E. (University of Cincinnati)  
*Field of Specialization: Statistics*
- John Dean Freund, Mansfield  
B.S.Ed.  
*Field of Specialization: Natural Resources*
- Marcia Leigh Friedrich,  
Milwaukee, Wis.  
B.A. (University of Wisconsin)  
*Field of Specialization: Anatomy*
- Richard Wesley Garvin, Kenton  
B.S.  
*Field of Specialization: Physics*
- Sharon Louise Garvin,  
Philadelphia, Pa.  
B.S. (Morgan State College)  
*Field of Specialization: Allied Medical Professions*
- Rita Diane Gasser, Columbus  
B.S.H.E.  
*Field of Specialization: Home Economics*
- Rita Renee Gerber, Westerville  
B.S.  
*Field of Specialization: Preventive Medicine*
- Bhupinder Kumar Girdhar,  
Dehra Dun, India  
B.Sc. (Punjab University)  
*Field of Specialization: Food Science and Nutrition*
- Paul Mark Guttman, Huntsville, Ala.  
B.S. (United States Air Force Academy)  
*Field of Specialization: Physics*
- Robert James Harmon, Columbus  
B.S.Agr.  
*Field of Specialization: Dairy Science*
- Bill R. Haynes, Columbus  
B.S.Agr.  
*Field of Specialization: Animal Science*
- Alfred Louis Heller, Columbus  
D.D.S.  
*Field of Specialization: Dentistry*
- Allen Rogers Hess, Dayton  
B.A. (College of William and Mary)  
*Field of Specialization: Natural Resources*
- Myrta Jean Dorn Hovland,  
South Solon  
B.S.H.E.  
*Field of Specialization: Home Economics*
- Patricia Agnes Hrutkay,  
Shaker Heights  
B.S. (University of Northern Colorado)  
*Field of Specialization: Nursing*
- Paul George Jakob, Columbus  
B.S.  
*Field of Specialization: Geology and Mineralogy*
- David Paul Johnson, Columbus  
B.S.  
*Field of Specialization: Natural Resources*
- Ali Hussein Kanoun,  
Tripoli, Libya  
B.S. (University of Libya)  
*Field of Specialization: Poultry Science*
- Bernhard Albert Kats,  
Jerusalem, Israel  
Diploma (State University of Leiden, Holland)  
*Field of Specialization: Preventive Medicine*
- Bruce Clifton Kelley, Columbus  
B.A.  
*Field of Specialization: Preventive Medicine*
- Kevin Anthony Kelly, Ossining, N. Y.  
B.S. (University of Notre Dame);  
M.S. (Yale University)  
*Field of Specialization: Nuclear Engineering*
- Michael Lee Killian, Hicksville  
B.S.W.E.  
*Field of Specialization: Welding Engineering*
- Hai-Ping Ko, Taipei, Taiwan  
B.S. (National Taiwan University)  
*Field of Specialization: Mathematics*
- James Elwood Kohl, Columbus  
B.S. (Muskingum College)  
*Field of Specialization: Physics*
- Barbara Kiner Komives, Columbus  
Cert.Grad.Dent.Hyg., B.S.Ed.  
*Field of Specialization: Allied Medical Professions*
- Ibrahim Cihan Koru, Istanbul, Turkey  
Engr. Agronomy (Ege University, Turkey)  
*Field of Specialization: Horticulture*
- Mahendra Mohanlal Kothari,  
Ahmedabad, India  
B.E.M., B.F.E., M.E. (Gujarat University)  
*Field of Specialization: Electrical Engineering*
- David Joel Kotker, Worthington  
B.S. (Boston University)  
*Field of Specialization: Aeronautical and Astronautical Engineering*
- Jeanne Marie Krupko, McDonald  
B.S.Ed.  
*Field of Specialization: Zoology*
- Robert Walter Lahmers,  
Newcomerstown  
B.S.Agr.  
*Field of Specialization: Agricultural Education*
- Timothy Kuipun Lai, Hong Kong  
B.S.E.E. (University of Tennessee)  
*Field of Specialization: Electrical Engineering*
- Hing-Fai Lee, Kowloon, Hong Kong  
B.Sc. (California State Polytechnic College)  
*Field of Specialization: Electrical Engineering*
- Chun Liang Lin, Taichung, Taiwan  
B.S. (Fu Jen Catholic University)  
*Field of Specialization: Physics*
- Timothy John Long, Marysville  
B.A., B.S.Ed. (University of Cincinnati)  
*Field of Specialization: Computer and Information Science*
- Chi-Houng Eddie Lu, Taipei, Taiwan  
B.S. (National Taiwan University)  
*Field of Specialization: Industrial and Systems Engineering*
- Michael Stephen Luther, Columbus  
B.S.C.E.  
*Field of Specialization: Civil Engineering*
- Ian Leslie Madden, Columbus  
B.S. (University of Illinois)  
*Field of Specialization: Chemistry*
- Vaughn Jeffrey Mantor, Columbus  
B.S.Ed.  
*Field of Specialization: Computer and Information Science*
- George Gerald Marburger, Jr.,  
Delaware  
B.S. (United States Naval Academy)  
*Field of Specialization: Geodetic Science*
- Alexander Elichilia Mboya,  
Moshi, Tanzania  
B.Sc. in Eng. (University of Nairobi)  
*Field of Specialization: Civil Engineering*
- Paul Francis McManamon, Fairborn  
B.S. (John Carroll University)  
*Field of Specialization: Physics*



- John Charles Merritt, Jr.,  
Bangor, Maine  
B.S. (University of Maine)  
*Field of Specialization: Nuclear Engineering*
- Anthony Louis Mescher, Celina  
B.S. (Saint Joseph's College, Indiana)  
*Field of Specialization: Zoology*
- Bruce Allen Miller, Massillon  
B.S.C.E.  
*Field of Specialization: Civil Engineering*
- Charles Joseph Murnane, Galloway  
B.S.E.E.  
*Field of Specialization: Electrical Engineering*
- Carole Wendy Myer, Columbus  
D.V.M. (Cornell University)  
*Field of Specialization: Veterinary Clinical Sciences*
- Michael Edward Nagle, Portsmouth  
B.S.M.E. (Ohio University)  
*Field of Specialization: Mechanical Engineering*
- Ronald Ellis Nassar, Columbus  
D.D.S.  
*Field of Specialization: Dentistry*
- Thomas Harry Newhouse,  
Sissonville, W. Va.  
B.S.E.E. (West Virginia Institute of Technology)  
*Field of Specialization: Electrical Engineering*
- Stephen Roger Nixon, Lebanon  
B.S.Agr.  
*Field of Specialization: Animal Science*
- Charles Gordon Noll,  
Northumberland, Pa.  
B.A. (Bloomsburg State College)  
*Field of Specialization: Physics*
- Harold Gene Oyster, Mansfield  
B.S.E.E. (Ohio University)  
*Field of Specialization: Electrical Engineering*
- Surat Palalikit, Bangkok, Thailand  
B.S. (Mahidol University)  
*Field of Specialization: Chemistry*
- Dennis Raymond Pandy, Elyria  
B.M.E.  
*Field of Specialization: Mechanical Engineering*
- Ronald Willis Parker, Chicago, Ill.  
B.S.Math. (Western Illinois University)  
*Field of Specialization: Computer and Information Science*
- Thomas Dickson Pretlow,  
Virginia Beach, Va.  
B.S. (North Carolina State University at Raleigh)  
*Field of Specialization: Horticulture*
- Elizabeth Szyszkowski Puchala,  
Heath  
B.A. (Muskingum College)  
*Field of Specialization: Zoology*
- \*Blake Eugene Rafeld, Ashland  
*Field of Specialization: Horticulture*
- Mehemmed Shamis Rahal,  
Washington, D. C.  
B.S. (University of Libya)  
*Field of Specialization: Animal Science*
- Ramesh Shandas Ramchandani,  
Bombay, India  
B.S.M.E. (Banaras Hindu University)  
*Field of Specialization: Mechanical Engineering*
- John Charles Reindl, Dayton  
B.Ch.E. (University of Dayton)  
*Field of Specialization: Chemical Engineering*
- Larry Alan Roberts, Kettering  
B.S. (University of Missouri)  
*Field of Specialization: Aeronautical and Astronautical Engineering*
- David Leo Roush, Columbus  
B.S.  
*Field of Specialization: Microbiology*
- Ronald Lee Saunders, Stillwater, Okla.  
B.S. (University of Oklahoma) ; M.S. (Oklahoma State University of Agriculture and Applied Science)  
*Field of Specialization: Computer and Information Science*
- Charles William Schwegman,  
Cincinnati  
B.S.E.E. (University of Cincinnati)  
*Field of Specialization: Electrical Engineering*
- Yan-Chi Shi, Taipei, Taiwan  
B.Sc. (National Taiwan Normal University)  
*Field of Specialization: Physics*
- Lin-Gen David Shih, Hsinchu, Taiwan  
B.E. (Chung Yan Christian College)  
*Field of Specialization: Industrial and Systems Engineering*
- Robert Barry Shuman, Cincinnati  
B.S.  
*Field of Specialization: Computer and Information Science*
- Michael Dan Simmons, Columbus  
D.D.S. (Northwestern University)  
*Field of Specialization: Dentistry*
- Thomas Wayne Stemmer,  
Upper Sandusky  
B.S.Agr.  
*Field of Specialization: Natural Resources*
- Steven Dennis Slifko, Columbus  
B.S.I.E.  
*Field of Specialization: Computer and Information Science*
- Charles Richard Smith, Lancaster  
B.S.Agr.  
*Field of Specialization: Animal Science*
- Augusto César de Monteiro Soares,  
Fortalez, Brazil  
B.S. (University of Ceara, Brazil)  
*Field of Specialization: Agricultural Economics and Rural Sociology*
- Liviu I. Sofonea, Bucharest, Rumania  
B. Computers (University of Bucharest)  
*Field of Specialization: Computer and Information Science*
- John Paul Sponseller, Columbus  
B.Ch.E.  
*Field of Specialization: Chemical Engineering*
- William Shores Stalcup, Winfield, Ala.  
B.S. (Birmingham Southern College)  
*Field of Specialization: Computer and Information Science*
- Charles Frederick Strong, Jr.,  
Framingham, Mass.  
B.S. (University of Massachusetts)  
*Field of Specialization: Poultry Science*
- Piyush Swami, Hapur, India  
B.S. (Agra University) ; B.Ed. (Rajasthan University) ; M.Ed. (Western Washington State College)  
*Field of Specialization: Botany*
- Nabil Issa Sweis, Amman, Jordan  
B.A., M.A. (Cambridge University, England)  
*Field of Specialization: Civil Engineering*

\* Also Bachelor of Science in Agriculture, College of Agriculture and Home Economics

Judith Brandon Swinehart,  
New Lexington  
B.S. (Capital University)  
*Field of Specialization: Nursing*

James Paul Tobin, Warren  
B.S.Agr.  
*Field of Specialization: Dairy Science*

Hugh Byer Trimble, III, Dayton  
B.S.Agr.  
*Field of Specialization: Natural Resources*

Tsang Lin Tsin, Kowloon, Hong Kong  
B.S. (Southern Oregon College)  
*Field of Specialization: Physics*

Chao-An Tu, Jackson Heights, N. Y.  
B.S.E. (Taiwan Cheng Kung  
University, Taiwan); M.S. (Fairleigh  
Dickinson University)  
*Field of Specialization: Engineering  
Mechanics*

Vichate Ungvichian,  
Bangkok, Thailand  
B.Eng. (Khonkaen University)  
*Field of Specialization: Electrical  
Engineering*

Robert David Vincent, South Euclid  
A.B. (Washington University)  
*Field of Specialization: Zoology*

Lynda Peatross Wager, Cincinnati  
B.S.H.Ec. (University of Cincinnati)  
*Field of Specialization: Allied Medical  
Professions*

Larry Edward Ward, Barnesville  
B.S.Agr.  
*Field of Specialization: Agricultural  
Economics and Rural Sociology*

Sister Clarann Weinert,  
Santa Fe, N. M.  
B.S.Nurs. (College of Mount Saint  
Joseph on the Ohio)  
*Field of Specialization: Nursing*

Martha Dalton Wells, Delaware  
B.S. (Alderson-Broadus College)  
*Field of Specialization: Pathology*

Brent Robert Wientjes, Westerville  
B.S.E.E.  
*Field of Specialization: Electrical  
Engineering*

Eugene Harry Williamson, Columbus  
B.S. (Heidelberg College); D.D.S.  
*Field of Specialization: Dentistry*

Ronnie David Willis, Columbus  
B.S.  
*Field of Specialization: Computer and  
Information Science*

Maleolm Donald Winter,  
Fresno, Calif.  
B.A. (University of California,  
Berkeley); B.S. (E.E.) (University  
of Colorado)  
*Field of Specialization: Industrial and  
Systems Engineering*

Mark Elmer Winterland, Dayton  
B.S.Agr.  
*Field of Specialization: Natural  
Resources*

Thomas Fleming Wyrick, Austin, Tex.  
B.A. (University of Texas)  
*Field of Specialization: Computer and  
Information Science*

Jeffrey Roland Wyvill, Avon Lake  
B.S.E.P.  
*Field of Specialization: Nuclear  
Engineering*

Chun-Kwan Kenneth Yee,  
Waterloo, Ia.  
B.A. (University of Northern Iowa)  
*Field of Specialization: Computer and  
Information Science*

Andrew Stephen Zolnay, Sandusky  
B.S. (Saint Joseph's College,  
Pennsylvania); B.S.Phys.; M.S.  
(Miami University)  
*Field of Specialization: Nuclear  
Engineering*

## Colleges of the Arts and Sciences

Chairman, Coordinating Council of Deans: Franklin P. Kilpatrick  
Vice Provost for the Arts and Sciences: Thomas A. Willke

The Colleges of the Arts and Sciences, a federation of five colleges, includes:

### College of The Arts

Dean: Lee Rigsby

### College of Biological Sciences

Dean: Richard Bohning

### College of Humanities

Dean: Arthur E. Adams

### College of Mathematics and Physical Sciences

Dean: Colin B. B. Bull

### College of Social and Behavioral Sciences

Dean: Franklin P. Kilpatrick

## College of The Arts

Dean: Lee Rigsby

### Bachelor of Arts

Thirteen candidates

Jeffery Jay Coulter, Zanesville  
Deborah Attridge Floyd, Cincinnati  
Margaret Lyn Gebhart, Fairborn  
Diane Marie Goelner, Concord  
Michael Ray Grimes, East Liverpool  
Jennifer Lee, Columbus  
Rita Jean Lewis, Chicago, Ill.  
Charles Edward Luce, Columbus  
Laura Lissa McKinney, Portsmouth  
Sue Ann Reiheld, Orrville  
Elaine Susan Saunders, Columbus  
Susan Jane Smith, Rochester, N. Y.  
Kevin Lynn Stayton, Sidney

### Bachelor of Fine Arts

Fifteen candidates

Karen May Adams,  
Easthampton, Mass.  
B.A. (New College)  
Sue Ann Bender, Wickliffe  
Cathryn Roth Dini, Columbus  
David Earl Guinn, Medina  
Timothy O'Neil Hughes, Granville  
Diane Beth Jacobowitz,  
Princeton, N. J.  
Anne Bryan Kaser, Fairview Park  
Richard Holmes Lajer, Columbus  
Mark William Miller, Westerville

Cynthia Ann Morse, Hudson  
Carl Mac Piatt, Ashley  
Randeë Ellen Schottenstein, Columbus  
Susan Catherine Smith, Chesterland  
Catherine Marie Turocy,  
Chagrin Falls  
Christopher Webb Wintrich, Columbus

### Bachelor of Music

Three candidates

Charles Iwanusa, Jr., Massillon  
Candace Bennett Lovell, Columbus  
Douglas Paul Starr, Mt. Vernon

### Bachelor of Art Education

Offered jointly by the  
College of The Arts and the  
College of Education

Ten candidates

David Lewis Diedrich, Fremont  
William Fredrick Foster, Columbus  
Charles Phillip Gaffney, Miami, Fla.  
Carol Ebersole Henricks, Columbus  
Mark Alan Kreis, Marysville  
Patricia Counts Marino, Columbus  
Mary Margaret McCabe, Columbus  
Tina Marie Mutigli, Waynesburg  
Elizabeth Anne Van Balen, Columbus  
Deborah Ann Wilson, Bowling Green

### Bachelor of Music Education

Offered jointly by the  
College of The Arts and the  
College of Education

Six candidates

Patricia Chapin Childers, Columbus  
Herschel Arnold Denner, Chillicothe  
Richard Lee Early, Toledo  
Jeffrey Martin Holtschulte, Columbus  
Martha Hughes Londergan, Columbus  
B.A. (Wellesley College)  
Nancy Christine Rafeld, Columbus

## College of Biological Sciences

Dean: Richard H. Bohning

### Bachelor of Arts

Eighteen candidates

Stephen Lee Bell, Columbus  
Hayes Ronald Berk, Youngstown

Thomas Michael Brennan, Columbus  
David Franklyn Crawford, Euclid  
Thomas Whitney Crosby,  
Mayfield Village  
John Patrick Cummings, Cincinnati  
David James Delnostro,  
Highland Heights  
Stephen Michael Fries, Columbus  
Raymond Bruce Hasson, Lima  
Daniel Lee Kessler, Columbus  
Charles Brian Lawton, Buffalo, N. Y.  
Joseph Thurston Leach, Columbus  
Robert Hugh Mabry, Jr., Columbus  
Dean R. Massey, Englewood, Colo.  
Mark Anthony Penn, Mt. Gilead  
Mark Christen Smith, Cincinnati  
Edward John Strittmatter, Jr.,  
Cincinnati  
Klaus Heinz Wiesmann, Cincinnati  
B.S.E.E. (University of Cincinnati)

### Bachelor of Science

Fifty-eight candidates

Susan Rae Baer, Youngstown  
Gregory Stephen Barger, Fairborn  
James William Bennett, Columbus  
Roman Rojwka, Lorain  
Lana Cheri Braun, Cridersville  
George Michael Bullock,  
North Ridgeville  
Stephen Earl Buxser, Massillon  
Steven William Campbell, Cincinnati  
David William Caton, Lima  
Karl Vernon Clemons, Bryan  
Janice Louise Conrad, Akron  
Sherry Ann Cottle, Columbus  
Murtha Elizabeth Daw, Zanesville  
Norman William Delzeith, Dayton  
Dennis Engeler Driggs, Columbus  
Glenn Robert Edgecombe,  
Fairview Park  
Allison Smith Fulford, Columbus  
Nann Jeannette Garner, Dayton  
Randall Edward Gates, Columbus  
Robert Earl Gaylor, Columbus  
James Paul Girves, Columbus  
John Carl Grote, Cheviot  
Patricia Lea Hallauer, Toledo  
Francis John Hiadek, Ashtabula  
Mark David Holmes, Westlake  
John Marc Holser, Columbus  
Ruth Cook Hunley, Columbus  
Leila Susan Jacobs,  
Broadview Heights  
Andrew Michael Kachmarik, Parma  
Edward Francis Kenney, Columbus

Jack Dennis King, Mansfield  
 Daniel Henry Klos, Bellaire  
 Richard Russell Knoesley, Dayton  
 Robert Edward Knoesley, Dayton  
 Charles Victor Knueve, Wapakoneta  
 John William Kuhn, Dublin  
 Robin Joan Landefeld, Massillon  
 Mark Charles Langenderfer, Swanton  
 Darrell Lynn Laughlin, Columbus  
 Mark David Lazar, Worthington  
 Deborah June Longley, Akron  
 Kevin Michael McGaharan, Sherwood  
 Stephen Harcourt McLemore,  
 Columbus  
 Chris Roshon Miller, Columbus  
 Marlene Woolun Monnett, Columbus  
 Myron Emmett Moody,  
 Mingo Junction  
 Karl Martin Mueller, Shelby  
 Stephen Anthony Murray, Columbus  
 Susan Stranahan Parker, Columbus  
 Stephen Kent Powers, Columbus  
 Dale Edward Reno, Washington C. H.  
 Larry Keith Ritzhaupt, Galion  
 Eric Bruce Stein, Steubenville  
 John Evans Stevenson, Columbus  
 Allan Wayne Stoner, West Unity  
 Susan Lynn Sweeney, Broomall, Pa.  
 Thomas Arlen Wagner, Fostoria  
 Richard Rudi Webel, Mansfield

## College of Humanities

Dean: Arthur E. Adams

### Bachelor of Arts

Sixty-four candidates

Stephen Lewis Altman, Belleville, Ill.  
 Steven Barry Barbash, Columbus  
 Julia Mary Basbagill, Columbus  
 Heather Ann Beatty, Canton  
 Linda Joy Benson, Fair Haven, N. J.  
 Robert James Brancatelli,  
 Parma Heights  
 Leslie Avery Chittenden, Columbus  
 Thomas Alan Cordell, Worthington  
 Robert David DeAnthony, Columbus  
 Fernande Bella Douek, Columbus  
 Daryl Leo Drobnic, Columbus  
 Ronald Dennis Edwards, Columbus  
 Mark Williams Gilson, Columbus  
 Sheldon Gerald Gordon, Cleveland

Loree Ellen Green, South Euclid  
 Martha Clare Hablitzel, Port Clinton  
 Reinhard Hagenhofer, Northfield  
 Hal Michael Hare, Columbus  
 John Bruce Hegenberger, Columbus  
 Diane Elizabeth Heisel, Dayton  
 Mary Kathryn Hennessy, Pomeroy  
 Ronald Scott Hightshoe, Columbus  
 Deborah Ann Hill, Avon Lake  
 Karl Ray Hiltner, Dover  
 Cathy Coffman Howard, Waynesville  
 William Michael Howard, Beachwood  
 Joseph Richard Hunger, Columbus  
 Marylou Janotta, Columbus  
 Richard Campbell Jenkinson,  
 York, Pa.

Charles Joseph Johnson, Galloway  
 Deborah Sue Johnson, Dayton  
 Linda Elise Kalette, Syracuse, N. Y.  
 Jane Stefani Kasdan,  
 Rockville Centre, N. Y.

Darryl C. Lindsey, Columbus  
 Karen Sue Loudenback, Urbana  
 Douglas Robert Magnant, Columbus  
 Ellen Beth Marks, South Euclid  
 Don Wesley Martin, Worthington  
 John Gary Matchison, Lorain  
 John Jared McClintock, Columbus  
 Richard Anthony Meyer, Centerville  
 Janice Louise Molnar, Columbus  
 Glenn Edwin Morrical, Columbus  
 Paddy Jill Morse, Columbus  
 Micahel David Mosure, Columbus  
 Jeanne Marie Nicolette, Leetonia  
 Patrick Joseph O'Farrell, Columbus  
 Susan Elizabeth Parsons,  
 Worthington  
 Philip Realmuto, Brooklyn, N. Y.  
 Dinu M. Rehner, Columbus  
 Carmine Anthony Romano, Cleveland  
 John Michael Schluep, Hilliard  
 Loretta Johnson Smith, Columbus  
 Diana Jane Snyder, Columbus  
 William Stewart Snyder,  
 South Zanesville  
 Roger Stern, Cleveland Heights  
 Colette Giles Tennant, Columbus  
 Beverly Kay Thompson, Columbus  
 Sharon Anne Tubbs, Montpelier  
 Michael Robert Urban, Painesville  
 Charles Anthony Vangas, Dayton  
 Jan Andrea Wieting, Columbus  
 David Morton Yanes, Skokie, Ill.  
 Linda Morin Zimmerman, Columbus

## College of Mathematics and Physical Sciences

Dean: Colin B. B. Bull

### Bachelor of Arts

Seven candidates

John William Finn, Amelia  
 Elbert Ross Lindsey, Jr., Columbus  
 Daniel Lawson Moore, Columbus  
 Sandra Oliver, Columbus  
 Barbara Louise Parker, Warren  
 Edgardo Andrew Ramos, Columbus  
 Vickie Lee Thurston, Columbus

### Bachelor of Science

Thirty-one candidates

John Otto Bratcher, Kilbourne  
 Reinhold Burbach, Mansfield  
 Donald Jacobs Christian, Strongsville  
 Jacob Dean Eisel, Columbus  
 Ross Clark Fonticella, Chesterland  
 John Henry Fuller, Jr., Columbus  
 Fred Gene Galliers, Columbus  
 Michael Craig Gridley, Columbus  
 Pamala Clare Henjum, Cincinnati  
 Thomas Morgan Hoch, Wickliffe  
 Frank Koch Holterhoff, Cincinnati  
 Philip Mark Hupcher,  
 Plainview, N. Y.  
 Robert William Jones, Columbus  
 Robert Michael Karrer, Wooster  
 James Henry Kirk, Richmond  
 Kenneth David Lebda, Columbus  
 Scott Kenneth Losch, North Canton  
 David William Marshall, Columbus  
 Steven Ross Milam, Columbus  
 Craig Donaldson Nardone, Columbus  
 Rebecca Anne Niedecken, Delphos  
 Veronica C. Oestreicher, Fairborn  
 David Andrew Piper, Columbus  
 Alan Ralph Rendina, Columbus  
 Michael Lee Rhodes, Chardon  
 John Leland Romine, Pataskala  
 Anson Henry Russell, Columbus  
 Stephen Schmitt, Columbus  
 Lorraine Barbara Seach, Campbell  
 Terence John Stofko, Ashtabula  
 James Robert Waltz, Port Clinton

## College of Social and Behavioral Sciences

Dean: Franklin Kilpatrick

### Bachelor of Arts

One hundred and thirty-nine candidates

Jeffrey Alan Adler, Lyndhurst  
Janeen Sue Adron, Columbus  
Neal Wilson Ball, Jr., Columbus  
Laura Neece Baltaro, Columbus  
Manuel Banda, Jr., Cleveland  
Stephen William Beck, Akron  
Terry Lee Bellew, Worthington  
Loris Paul Bemesderfer, Columbus  
Peter Howard Berk,  
New Rochelle, N. Y.  
David Lee Bowlus, Columbus  
Margaret Anne Boyce, Columbus  
Edward Kenneth Brass, Murray, Utah  
Ava Gay Broner, Cincinnati  
Janet Elaine Brown, Worthington  
Robert Frederick Bruce, Columbus  
David Eric Byrnes, Columbus  
Robert Bruce Catterton, Columbus  
Paul Alan Clinton, Columbus  
Mark Steven Coco, Alliance  
Charles Edward Connor, Columbus  
Lawrence Arthur Cunnings, Columbus  
Carl Michael Dailey, Columbus  
Stephen Paul Dailey, Wintersville  
Christopher Edward Damico,  
Chillicothe  
Cynthia Grace Davis, Glassport, Pa.  
James William Davis, Columbus  
Edward Arthur Deering, Columbus  
Rickey Al Dennett, Columbus  
Robert Michael Dini, Columbus  
Sharon Rena Drake, Uniontown  
Michael Glenn Drown, Clyde  
Pamela Radcliffe Dunn, Columbus  
John Joseph Eagles, Cleveland  
John Francis Erjavec, Columbus  
William Walter Fedash, Brooklyn  
Jeffrey Alan Fishman,  
West Orange, N. J.  
Judith E. Fish, Dayton  
Alton Lee Franz, Worthington  
Stephen Frederick Frey, Cincinnati  
William Scott Friedman,  
University Heights  
Isaac Frydman, Columbus  
\*Stephany Ann George, Willowick  
David Lloyd Gill, Columbus  
Alison Marie Graff, Columbus  
Marsha Lynn Grancee,  
Arlington, Va.

Wendy Lynne Hinden,  
Massapequa, N. Y.  
Robert Andrew Holod, Columbus  
Ricky Alan Holt, Rossford  
Daniel James Hooks, Columbus  
Carolyn Louise Jackson, Columbus  
Judy Ann Jackson, Lafayette  
Charles Robert Janes, Reynoldsburg  
Rosemary Jones, Washington, Pa.  
Harry Alan Kahn, Columbus  
Samira Kanaan, Columbus  
David Michael Katz, Columbus  
Steven Lamoyne Kersey, Marion  
Marilyn Kay Kertoy, Dillonvale  
Stuart Michael Kolinsky,  
South Euclid  
Ronnie Lee Kreiter, Marion  
Linda Marie Kurick, Columbus  
Keith Samuel Lammers, Columbus  
Richard Allan Larmi, Warren  
Charles Joseph Laufersweiler,  
Columbus  
Lois Ann Laynor, Millersville, Pa.  
Terrence Edward Lee,  
Warrensville Heights  
Phillip Douglas Lehmkuhl, Springfield  
Joy Lynn Lightcap, Columbus  
Carol Beckman Loke, Columbus  
Jan Michael Long, Middleport  
Thomas Lorenzo, Jr., East Canton  
Milo Shawn Manley, Montpelier  
Connie Lynn Mathis, Dayton  
Rikki Stephany Matthews, Mansfield  
Janice Lynn Mazza, Fairborn  
Daniel Peter McKay, Grove City  
Paul Allen McKelvey, Columbus  
Sandra Lynn McKnight, Richwood  
Assad Moheimani, Columbus  
John Thomas Moore, Columbus  
Daniel Robert Moreland, Columbus  
Mary Woode Morton, Columbus  
Christine Louise Nelms, Oregon  
Kathleen Susan Nelson,  
Huntington Beach, Calif.  
Debra Ann Newman,  
Miami Beach, Fla.  
Ronald Ray Oertle, Columbus  
Deborah Shelley Orlin, Lyndhurst  
Richard Dickson Owens, Jeffersonville  
Janet Lucille Parker, Seven Hills  
Rocky Alton Penn, Rarden  
Michael William Porter, Columbus  
Rick D. Potter, Worthington  
John Scott Prindle, Coshocton  
Linda Ann Radey, Parma  
Catherine Ella Rappoport,  
Youngstown  
Ervel Gene Ratcliffe, Columbus  
Thomas Donald Reimund, Lima

Timothy Charles Ries, Columbus  
Galen Denver Risley, Columbus  
Henry Leo Roubicek,  
Cleveland Heights  
Ronald Arthur Roush, Columbus  
Judy Ann Ruth, Marion  
Robert Schindelholz, Mayfield Heights  
Friedrich Schuster, Youngstown  
Jesse Arnold Scott, Jr., Columbus  
Randolph Scott, Pomeroy  
David Michael Sellers, Columbus  
Diane Cook Semon, Columbus  
Alicie Jeanne Shustick, Columbus  
James Lee Singleton, Middletown  
Lynn Marie Smith, Columbus  
Terrye Kathleen Smith, Steubenville  
Thomas James Spangler, Jr.,  
Columbus  
James Patrick Spillman, Findlay  
David Lloyd Starliner, Findlay  
Peter Wesley Stephens, Springfield  
Jack Lee Stewart, Gahanna  
Scott Allen Sutton, Arcanum  
Robert Earl Tanksley, Columbus  
Daniel James Taylor, Columbus  
Nan Sue Teitelbaum, Bellbrook  
Nancy Kay Teton, Los Angeles, Calif.  
\*Thomas Gayle Tolan, Columbus  
\*\*Robert Lee Trueblood, Columbus  
\*Margaret Ruth Valentine,  
Elma, N. Y.  
Darleen Susan Valerian, Cleveland  
John Paul Vivian, Columbus  
Joseph Francis Walsh, Springfield  
William Michael Watkins, Radnor  
George Frederick Weilemann,  
Chagrin Falls  
Susan Ruth Weisman, Columbus  
\*Elizabeth Ann Welker,  
East Liverpool  
Paul Frederick White, Jr., Columbus  
Roger Allen Whiteamire, Caledonia  
Deborah Ann Wick, Kettering  
Betty Jean Wilson, Columbus  
Thomas Angelo Wirtanen,  
Chelmsford, Mass.  
Katen Ann Woeste, Maria Stein  
Richard Daryl Wurtzel, Columbus

\* Also Bachelor of Science in Education,  
College of Education  
\*\* Also Doctor of Dental Surgery, College of  
Dentistry

## College of Administrative Science

Dean: James R. McCoy

### Bachelor of Science

Twenty-nine candidates

Susan M. Arnoeczy, Amherst  
Thomas Alan Becher, Louisville, Ky.  
Sally Jo Briggs, Elma, N. Y.  
Paul Howard Crow, Columbus  
Steven Lee Dawson, Coshocton  
David Eugene Dunlap, Columbus  
Charles Gregg Eblen, Columbus  
James Paul Evans, Kettering  
Timothy David Field, Columbus  
Richard Anthony Guzzo, Reynoldsburg  
Timothy Hugh Hatem, Columbus  
Christopher James Hensien, Toledo  
Arnold Marc Hertz, Baldwin, N. Y.  
John Robert Hogan, Parma  
Dianna Lynn Houpt, Columbus  
Janice Margery Jackson,  
Georgetown, Guyana  
Guilford Gage Kingsbury, Columbus  
Kenneth Lee Knowlton, Columbus  
B.A.  
Sue Jane Knox, Euclid  
Bretton Ross Merryman, Bellaire  
Karl Jerome Michael, Columbus  
Patricia Dale Nute, Perry  
Karen Shafer, Columbus  
Gwendolyn Young Stukey, Columbus  
Frank John Trautman, Columbus  
Daniel Edwin Walker, Columbus  
Joseph Anthony Wildi, Columbus  
John Streett Williams, Medina  
Stephen Harold Wittenberg, Napoleon

### School of Journalism

#### Bachelor of Arts in Journalism

Twenty-four candidates

Pamela Stambaugh Appel,  
Youngstown  
James William Atkinson,  
Fairview Park  
Karen Ann Bender, Columbus  
Bill Conner Briscoe, Columbus  
Donald Finley Calhoun, Hilliard  
Dennis Charles Cusick, Columbus  
Nancy Anne Essex, Columbus  
Neil Joseph Fallon, Bay Village  
Lisa Karen Favish, Bellaire  
Alan Jay Goodman, Cleveland  
Linda Louise Halsey, Marion  
Anne Elizabeth Hummer, Columbus  
Sue Ann Langdon, Columbus  
Michael O'Brien Maness,  
Sarasota, Fla.

Carol Lynn McBurney,  
Bethel Park, Pa.  
Joyce Elaine McKenna, Worthington  
Raymond Terrance Mechan, Columbus  
Karen Jan Newberne, Cincinnati  
Nancy Lynn Oshinsky,  
Chevy Chase, Md.  
Harry Hamilton Peck, Aurora  
John Matthew Quinn, Columbus  
John Lee Salisbury, Columbus  
Thomas Michael Siekierka, Kettering  
Robert John Simon, Centerville

### Bachelor of Science in Business Administration

One hundred and twenty-seven

Gregory Dale Abbott,  
Canal Winchester  
Mark Bartholomew Adams, Dayton  
Donald Wayne Ault, Lebanon  
Jeffrey John Andrew Baker, Killbuck  
Richard Michael Bassett, Oak Harbor  
Robert Edward Bauer, Columbus  
Stanley Lloyd Baumberger, Mansfield  
Robert Richard Beebe, Cincinnati  
Michael James Benedict, Covington  
David Parnly Blackmore, Columbus  
Joseph William Bleicher, Dayton  
Louis John Bonfante, Columbus  
Paul Joseph Bonifas, Cloverdale  
Robert Barry Bowen, Columbus  
Thomas Michael Burke, Columbus  
Thomas Joseph Callahan, Columbus  
Donald Eugene Calvert, Columbus  
David Phillip Carroll, Cincinnati  
Gregory Dale Chalfant, Columbus  
George Thomas Chambers, Hilliard  
Steven Donn Chiles, Chillicothe  
Donald Franklin Clark, Columbus  
Raymond John Cole, Parma Heights  
Robert Paul Cook, New Carlisle  
Don Philippe Corpier, Columbus  
Scott Alan Coy, Akron  
James Frederick Curran, Columbus  
Stephen Craig Daily, Columbus  
Gary Lee DeJohn, Columbus  
Peggy Lorraine Demers,  
Richmond, Va.  
Jeffrey Scott DeVore, Columbus  
Leonard Joseph Dibble, Warren  
Charles Andrew DoBroka,  
North Olmsted  
David Lee Dragics, Columbus  
Kenneth Bradford Dunn, Chillicothe  
Glenn Robert Evans,  
Park Ridge, N. J.  
Robert Jessie Fairbanks, Cincinnati  
James Frank Feldhaus, Columbus  
Michael Joseph Gade, Seven Hills  
Richard Thomas Germano,  
Greensburg, Pa.  
Sheila Marie Gladieux, Toledo  
Alan Earl Gordon, Syracuse, N. Y.  
Karl Max Gorman, Columbus  
Lawrence William Graf, Akron  
Barbara Ann Griffin, Painesville  
Delbert Haney, Gallipolis  
Robert Heatwole, Newark  
Michael James Hedge,  
Sacramento, Calif.  
Loraine Gibb Herron, Marion

Bard Harrison Holbert,  
San Antonio, Tex.  
Michael Paul Holdsworth, Erie, Pa.  
Abdul-Rahman Amin Jawa,  
Jeddah, Saudi Arabia  
Thomas Michael Kemper, Wilmington  
Timothy Allen King, Columbus  
Daniel Ray Kiser, Columbus  
Richard Edmund Lange, Logan  
Blane Lee Lau, Curtice  
Donn Lee Lauer, Prospect  
Jimmie Douglas Leftwich, Ironton  
Raymond Mark Locker, Columbus  
B.S.Agr.  
John Robert Mackay, Marion  
Steven Paul Mackenbach, St. Marys  
Thomas Kent Mahany, Fairborn  
Randall Glenn Mast, Wooster  
Stephen Joseph McCarthy, Hudson  
Paul Michael McClain, Columbus  
Dennis Edward Michaels,  
Rochester, N. Y.  
Michael George Mihalek, Avon Lake  
Lawrence Paul Miller, St. Marys  
William Harry Miller, Lockbourne  
Michael Dan Mokodean, Canton  
Ronald Eugene Molnar, Columbus  
Daniel David Moore, Reynoldsburg  
Jane Ellen Moore, Columbus  
Robert Scott Moore, Worthington  
Ronald Alan Neff, Columbus  
John Patrick Neville, Springboro  
Maris Falken Ogg, Lancaster  
Mary Joanne Olson, Columbus  
David Scott Owens, Brecksville  
Christopher Robert Parke, Wauseon  
Ray Pope Patterson, Columbus  
Wayne Ray Pittenger, Shelby  
William Russell Plautz, Brecksville  
Michael John Plazak, Cuyahoga Falls  
Robert Douglas Polny, Lorain  
Daniel Robert Pope, Kenton  
Charles Raymond Porter, Jr.  
Reynoldsburg  
Armin Mark Price, South Euclid  
Terry Jay Quinn, Zanesville  
Michael Samuel Rebich, Steubenville  
Jimmie Dale Richey, Mowrystown  
Martin Thomas Rini, Columbus  
Douglas Ross Rogers, Loudonville  
Eugene Victor Ruhe, Ottawa  
Delbert Anderson Russell, Jr., Elyria  
B.A. (Wittenberg University)  
John David Russell, Waldo  
Patrick John Ryan, Northfield  
Daniel Sadivnyehy, Cleveland  
Stephen James Schieser, Columbus  
Robert Joseph Schmidt, Columbus  
Gary Lee Schneider, Columbus

Stephan Allen Schneider, Columbus  
Gary Lee Schottenstein, Columbus  
Carol Ann Shivers, Columbus  
John William Shroy, Findlay  
Ronald Ray Snawley, Sidney  
Timothy Duane Snyder,  
Maple Heights  
John Riley Standfield, Cleveland  
David Gene Stebel, Clinton, N. C.  
Samuele Pompeo Stefanelli, Columbus  
Michael William Steiger, Spencerville  
Dale Edward Strang, Toledo  
Thomas James Sundquist, Marietta  
Frank William Sytnik,  
Wantagh, N. Y.  
Steven Daniel Urban, Kent  
Charles Edward VanWinkle,  
Mt. Vernon  
Melvin Anthony Vermaaten,  
Columbus  
David Glen Vinsel, Zanesville  
John Collier Voderberg, Wilmette, Ill.  
John James Wain, Seven Hills  
Gary Weiss, Cleveland  
Ora Edwert Wolf, Newark  
Osbon Woodford, Columbus  
Cynthia Rose Wutchiett, Cleveland  
Michael B. Yost, Worthington  
Richard Louis Zedecker, Sidney

Mary Lucille Kraemer, Hilliard  
Christopher George Lohman,  
Columbus  
Joan Leslie Malinas, Cleveland  
Leah Ethel Meyer, University Heights  
Debra Joyce Poster, Mt. Pleasant, Pa.  
Laura Jean Rappaport, Fairfax, Va.  
Carol Elaine Rocco, Newark  
Cheryl Reeves Royster,  
Washington C. H.  
Janet Elaine Schmidt, Bainbridge  
Thomas Walter Scott, Conneaut  
Barbara Frances Shultz, Blanchester  
Ellen Efrid Smith, Powell  
Charmain Dawn Stebbins,  
Canandaigua, N. Y.  
Maria Anna Stravelakis, Columbus  
Jill Ellen Surber, Lake Orion, Mich.  
Deborah Ann Theile, Cincinnati  
Bonnie Jean Walker,  
Lauderdale-by-the-Sea, Fla.  
Barbara Susan With, Cincinnati  
Marvin Ira Zeldin, Columbus

## School of Social Work

### Bachelor of Science in Social Welfare

Thirty-seven candidates

Charles Ira Balcher, Cleveland  
Jane Ann Barry, Columbus  
Carolyn Berliner, Columbus  
Paula Jane Carrier, Bay Village  
Charles Clarence Cataline, Columbus  
Carolyn Ann Cocklin, Hartsville  
Vicki Lynn Davis, Uniontown, Pa.  
Marla Anita Delgado, Worthington  
Jennifer Jo Elam, Middletown  
Ronda Lee Griffith, Columbus  
Susan Lynn Guzzo, Columbus  
Nancy Dean Haigh, Cincinnati  
Cynthia Sue Harris, Niles  
Dianne Barker Howard, Columbus  
Dehra Sue Isroff, Akron  
Sbeva Shari Kleiman,  
Huntington Station, N. Y.  
Rebecca Jo Kohler, Toledo  
Lisa Diane Korben,  
Rockville Centre, N. Y.

## College of Agriculture and Home Economics

Dean: Roy M. Kottman

### Bachelor of Science in Agriculture

One hundred and fifteen candidates

Kenneth Lewis Aukerman, Medina  
Neil Robert Bair, Forest  
Michael Lee Bayes, Orient  
Ted Paul Becker, Eaton  
David Eugene Beisner, Greenville  
Edmond Robert Benedict,  
Cleveland Heights  
B.A.  
James Reese Benson, Carroll  
Barbara Ann Bertsch, Cincinnati  
Michael Irwin Bloomfield,  
Youngstown  
Allan Edward Boster, Gallipolis  
John Frederick Brandau, Amherst  
Paul Richard Brautigam, Anna  
Theresa Anne Brim, Findlay  
James Michael Broadhurst, Columbus  
Ronald Lee Brooks, Continental  
John Richard Brula, Worthington  
William James Carstensen, Martin  
Ronald Allen Cave, Stoutsville  
Robert Dean Cline, Delaware  
Gerald Lee Connolly, Zanesfield  
Laurence Keith Cook, New London  
Charles Preston Cooley, Cedarville  
Charles Evan Cory, Cincinnati  
Janet Marie Coulter, Brecksville  
Joe William Cress, West Milton  
Tony Lee Cummins, West Mansfield  
Robert Leslie Curtner, Berea  
Candace Howell Cushman, Columbus  
David Paul Darr, Fremont  
Stephen Thomas Deger, Lebanon  
Thomas Donald Dieter, Austintown  
Keith Edward Dill, Sidney  
Dennis Dee Dolch, Bloomville  
Thomas Frear Dugan, Perry  
James Francis Eckman, Columbus  
Gordon Richard Flax,  
South Charleston  
Charles Lee Flint, Greenwich  
Timothy Lee Freund, Delphos  
Dennis Philip Garrity, Cleveland  
Darrell Mark Grassbaugh, Mt. Vernon  
Frederick Michael Haber, Eaton  
David Lee Hague, Senecaville  
Jeffery Peter Hahn, Worthington  
David Alan Hance, Piqua  
Robert Edward Harper, Beallsville  
Janet Lee Henderson, Bay Village  
Ray Allen Hephner, Maple Heights  
Dennis Allen Heyob, Harrison  
Jerald Wayne Hines, Ashville  
Robert Dean Hisey, Marysville  
Jon Ervin Hodge, Wooster  
Thomas Ray Hoffman, Archbold

Dennis Michael Holloran, Brookville  
Gerald Lee Horan,  
Middleburg Heights  
David Edward Houts, Celina  
Kevin Bruce Jeffers, Mt. Victory  
Allan Lee Johnson, Logan  
Neil Leonard Jordan, Tiffin  
Daryl Lynn Knipp, Oak Harbor  
Robert Douglas Lanker, Mt. Gilead  
James Philip Longenecker, Laura  
Terry Alan Love, Defiance  
Mark Alan Luttner, North Royalton  
Steven Ray McKee, Manchester  
Jesse Townsend McLeod, Westerville  
Paul Joseph Mihalko,  
Cleveland Heights  
Walter David Miller, North Benton  
Jeffrey Wayne Mizer, Stone Creek  
John Richard Moser, Dalton  
Brent Earl Oatney, Lancaster  
Michael Anthony O'Connell, Cincinnati  
B.A. (Xavier University)  
John Michael O'Herron, Painesville  
Robert James Oroszi, Fairborn  
William Joseph Otto, Cincinnati  
Bradley Ervin Owens, Van Wert  
William John Robert Park,  
Tupperville, Ont., Canada  
Dennis Leon Parnaby, Middlefield  
Bradley Allen Perry, Clyde  
Douglas Lee Putnam, Alger  
Timothy John Radachi, Elyria  
Blake Eugene Rafeld, Ashland  
Douglas Creighton Ritchey,  
Belle Center  
Gregory Allen Roadruck, Coshocton  
Ronald George Roell, Cleves  
John Robert Rohrs, Holgate  
Robert Donald Runk, Eaton  
Freddy Eugene Schafer, Hannibal  
Larry Wendal Schriver, Grafton  
Ralph Dale Schrock, Jr., Millersburg  
Robert James Selikson, Austintown  
B. Patrick Smith, Medina  
Bruce Edward Smith, Lancaster  
David Alan Smith, Sabina  
Stevan Jay Sprague, Vincent  
Dennis Lee Stacy, Green Springs  
Ralph Michael Stegbauer, Fayetteville  
Lesley Williams Steidley, Mansfield  
Valerie Capodanno Stewart, Mansfield  
Richard Alan Storehalder, Lyons  
Thomas Clayton Terrell, New Vienna  
Anthony George Trachevski, Dublin  
Robert Russell Troike, Sandusky  
Donald Charles Ungemach, Parma  
Nevin Lee Vandegrift, Minerva  
Daniel Earl Verhoff, Bellevue  
William Francis Vogel, New Lebanon

Edward George VonderEmbse,  
Mansfield  
B.A.  
Steven Ernest Vulgamore, St. Paris  
Miranda A. Warner, Columbus  
Joseph Arthur Wellman,  
Port Recovery  
Ray Allen Wells, Mingo Junction  
James Howard Williams, Wilmington  
Elizabeth Reeb Winzeler, Whitehouse  
Richard Dean Wiseman, Pedro  
Carla Turner Wright, Gahanna

### Bachelor of Science in Dairy Technology

One candidate

Warren Bruce Taylor, Worthington

### Bachelor of Science in Nutrition

One candidate

Timothy Allen Reinhardt, Elyria

### School of Home Economics

#### Bachelor of Science in Home Economics

Forty-six candidates

Judy Lee Aldrich, La Grange  
Elise Valerie Allen,  
Spring Valley, N. Y.  
Barbara Jane Aman, Canton  
Julie Wilson Bower, Granville  
Georgia Hansel Cackler, Delaware  
Susan Wipert Cannon, Waverly  
Connie Hurst Codispoti, Kettering  
Karen Yvonne Connar, Zanesville  
Mary Lynn Crawford, Newark  
Rebecca Ellen Crown, Dresden  
Linda Suzanne Davis, Grove City  
Margaret Lucille Eshler, Barnesville  
Joanne Eisenman Findley, Columbus  
Vicki Lee Fraunfelder, Laurelville  
Connie Lee Frost, Salem  
Paulette Bunger Garrison, Greenville  
Janice Diane Gartman, Parma  
Madeline Lee Greene,  
New Rochelle, N. Y.

\* Also Master of Science, Graduate School



Marilyn Sue Hufford, Troy  
 Donna Jean Huprich, Fairborn  
 Sandra Natoli James, Columbus  
 Betty Rodgers Kulich, Orient  
 Sally Dianne Leask,  
 St. Catharines, Ont., Canada  
 Teri Diane Linn, Columbus  
 Linda Kealey Lowe, Columbus  
 Deborah Ann McSurley, Whitehouse  
 Patricia Sue Murphy, Columbus  
 Susan Gayle Nesbit,  
 University Heights  
 Mary Elizabeth Overmyer, Elmore  
 Linnell Adams Perry, Columbus  
 Susan White Peters, Columbus  
 Kathleen Ann Plaskett, Canton  
 Eva Jean Promen, Columbus  
 Joy Ellen Reed, Dover  
 Margaret Webb Richer, Lima  
 Diane Eve Rosen, East Meadow, N. Y.  
 Sandra Lee Schwallie, Dayton  
 Deborah Ellice Sherman, Cleveland  
 Karen Darlene Skubie, Norton  
 Patricia Anne Stone, Brecksville  
 Cathy Sue Trantina, Northfield  
 Sandra Lynn Tuttle, Defiance  
 Constance Rae Umpleby, Columbus  
 Cynthia Elizabeth Villhauer, Maumee  
 Sandra Mary Whalen,  
 Mayfield Heights  
 Rebecca Anne Wilkins, Columbus

## School of Natural Resources

### Bachelor of Science in Natural Resources

Twenty-eight candidates

Teresa Jo Allen, Chillicothe  
 John William Bensheimer, Columbus  
 Robert Noakes Brenner, Findlay  
 Robert Ciz-madia, Cleveland Heights  
 Thomas Joseph Coelho, Columbus  
 John Charles Doeden, Hicksville  
 B.S.Engr. (Purdue University)  
 James Martin Duffy, Wooster  
 Gene Arthur Emond, Cleveland  
 Guy Robert Evans, Cincinnati  
 James William Farfsing, Cincinnati  
 Joseph Robert Flick, Cincinnati  
 Thomas Neil Glover, Columbus  
 Edward Allen Greer, Reynoldsburg  
 James Parker Haub, Columbus  
 Thomas Arthur Henry, Columbus  
 Steven Edward Henthorne, Newark  
 Jean Marie Kandrac, Rocky River

Katherine Ann Killen, Worthington  
 John Gary Marciniak, Cleveland  
 Jerry Edwin McComas, Columbus  
 Eric Benton Partee, Bryan  
 Richard Lynn Poling, Columbus  
 Edward Stuart Reed, Westerville  
 Todd DeWitt Rolf, Gibsonburg  
 Richard Maxwell Slaybaugh, Jr.,  
 Columbus  
 Edwin James Stiffler, Jr., Mansfield  
 Robert Martin Vidourek, Columbus  
 Gregory James Wolf, Jamestown

## College of Dentistry

Dean: John R. Wilson

### Doctor of Dental Surgery

One hundred and forty-nine candidates

David Johnson Aeer, Beaver, Pa.  
 Roger Lewis Albrecht, Columbus  
 B.A.  
 George Michael Albu, Niles  
 B.S.  
 Douglas Warren Alderman, Windsor  
 Thomas Edward Anderson, Akron  
 B.S. (University of Akron)  
 Robert Stephen Anthony, Bellevue  
 B.S.  
 John Rees Aughenbaugh, Oberlin  
 B.A. (Wittenberg University)  
 Peter Phillip Austin, Dayton  
 B.A. (Ohio Wesleyan University)  
 Jay Reed Basil, Fort Wayne, Ind.  
 B.S.Bus.Adm.  
 Joy Del Bebout, Hebron  
 B.A.  
 Phillip Julian Beckwith, Columbus  
 B.A. (Miami University)  
 Jack Bradley Bell, Ashtabula  
 B.A. (Kent State University)  
 Terry Berkley, Cleveland  
 B.S.  
 Charles Nicholas Bertolami, Lorain  
 Robert Carl Blankenburg,  
 Fairview Park  
 A.B. (Wittenberg University)  
 John Kennedy Boedigheimer,  
 Miamisburg  
 B.S. (University of Dayton)  
 Craig Edward Booth, Jr.,  
 Elkins, W. Va.  
 Richard Thiel Boyd, Alliance  
 B.A. (Kent State University)  
 John Michael Bozick, Adena  
 William Howard Braund, Wooster  
 B.S.  
 Charles Aaron Casher, Dayton  
 B.A. (University of Louisville)  
 Everett Lee Chapman, Columbus  
 B.S.  
 Joe Peiping Chu, Cincinnati

Thomas Thatcher Clafin,  
 Bowling Green  
 B.A. (College of Wooster)  
 Thomas Bowers Cook, Youngstown  
 B.A. (University of Vermont)  
 Stanley Kaj Coss, Toledo  
 Robert Mitchell Craig, Jr., Dayton  
 B.A. (Ohio Wesleyan University)  
 Thomas Charles Cray, Toledo  
 B.S. (University of Toledo)  
 Kent Winfield Cunningham, Kettering  
 Richard Pratt Cunningham,  
 Portsmouth  
 David Shoff Daugherty, Delaware  
 B.S. (Houghton College)  
 James Lawrence DellaSantina,  
 Fremont  
 B.A. (Ohio Northern University)  
 Charles Louis DiPasquale, Dayton  
 B.S. (Xavier University)  
 Martin Allen Drozdowicz, Toledo  
 B.A.  
 James Lawrence Drummond, Maumee  
 B.S. (University of Illinois) ;  
 M.S. (Massachusetts Institute of  
 Technology)  
 Todd Reign Dunkle, Swanton  
 B.A.  
 Wayne Dennis DuPont,  
 New Port Richey, Fla.  
 Michael Wayne Easley, Defiance  
 Robert E. Ellis, North Canton  
 B.S. (Ohio University)  
 Gerald Andrew Eskay, Struthers  
 B.A. (Saint Vincent College)  
 Thomas Nagel Ewing, Columbus  
 B.A. (Hiram College)  
 Joseph Henry Fallon, IV, Cincinnati  
 B.S.  
 Larry Steven Faust, Cincinnati  
 B.S. (University of Cincinnati)  
 David William Fix, Rossford  
 B.S. (Bowling Green State  
 University)  
 Gary Michael Flasco, Akron  
 James Nelson Fodor, Cleveland  
 B.S.Bus.Adm.  
 Stevan Karl Forney, Cridersville  
 B.A. (Miami University)  
 Robert Blair Fox, Mason  
 B.S. (University of Dayton)  
 James Edward Frounfelter, Ravenna  
 B.S.  
 Thomas Michael Gabriel, Youngstown  
 B.A. (Youngstown State University)  
 Richard Edward Godfrey, Jr.,  
 North Olmsted  
 Mark Richard Gordon, Fairborn  
 B.S.  
 Gregory David Grucella, Akron  
 B.S.  
 Thomas Charles Hall, Sylvania  
 David LeRoy Harnett, Kinsman  
 B.A.  
 David Ramon Harrison, Cincinnati  
 B.S. (University of Cincinnati)  
 Bruce Allen Hartle, Garrettsville  
 Thomas Paul Heckler, Celina  
 Lynn Earl Heldreth, Alliance  
 Gary Lee Holtz, Toledo  
 Richard E. Howell, Ashtabula  
 B.A. (Wittenberg University)  
 Eugene Hunter, Sr., Columbus  
 B.S. (Tennessee State University)  
 Stephen Lloyd Hutcheson, Zanesville  
 Burton Wayne Job, Warren  
 Craig Thomas Johnson, Edgerton  
 B.A. (Miami University)  
 Merwin Russell Jones, Cincinnati  
 B.S. (Xavier University)  
 John Charles Kline, North Canton  
 Lawrence Roy Kluener, Cincinnati  
 Philip Arnold Knall, Columbus  
 Eric John Koren, Chesterland  
 B.S. (Ashland College)  
 Gregg Reno Kroen, Columbus  
 B.S. (Capital University)  
 Raymond Frank Kubel, Jr., Willowick  
 Gregory Joseph Kvaska,  
 Middleburg Heights  
 B.S. (Bowling Green State  
 University)  
 Jerry Douglas Lachat, Centerville  
 Kent Stuart Lamoreux, Lakewood  
 B.S. (Bowling Green State  
 University)  
 James Roy LaRocco, Canton  
 Carl Alan Legg, Athens  
 B.S. (Ohio University)  
 Dale Michael Leonhardt, Cleveland  
 B.A. (Miami University)  
 Rand Allen Luckner, North Canton  
 David Laurence MacKnight, Madeira  
 B.S. (Ohio University)  
 Richard Anthony Mahfood,  
 Steubenville  
 B.A. (College of Steubenville)  
 Charles Alexander Mardis, Akron  
 John Edward Mayer, North Royalton  
 B.S. (Ohio University)  
 Michael William McConnell, Dayton  
 B.S. (University of Dayton)  
 John James McDonald, Canton  
 B.S. (Otterbein College)  
 Ralph Richard Mello, Columbus  
 Loman Earl Miller, Wadsworth  
 B.A. (Ohio University)  
 John Edward Mitakides, Dayton  
 B.S.  
 David Ross Monfort, Columbus  
 B.S. (University of Notre Dame)  
 Stephen Parker Moore, Cambridge  
 B.A. (Wittenberg University)  
 Albert George Muldrow, Cincinnati  
 B.S. (University of Dayton)  
 Thomas Michael Murphy, Athens  
 B.S. (Ohio University)  
 Steven Lee Owdom, Solon  
 B.S.  
 James Dick Pardoe, II, Hudson  
 B.S. (Grove City College,  
 Pennsylvania)  
 Edward George Parobek, Jr.,  
 Cleveland  
 B.S.  
 Gary David Parson, Columbus  
 B.S.

Richard Owen Patten, Columbus  
B.A. (Ohio Wesleyan University)

Jon Douglas Paulus, Massillon  
B.S. (University of Akron)

Stanley Thomas Payne, Cincinnati  
B.S.

Timothy Walter Peters, Cincinnati  
A.B. (Miami University)

Reed Davy Prugh, Dayton  
B.S. (Virginia Military Institute)

Harold George Pryor, Cleveland  
B.S.C.I.S.

Dennis Mark Rafferty, Clinton  
B.S.

John Daniel Rajniak, Barberton  
B.A. (Miami University)

John Walter Rauch, Dayton  
B.S. (University of Dayton)

Joseph Pearl Reichley, Xenia

Ronald Stephen Ricci, Dayton  
A.B. (Miami University)

Douglas Dennis Richardson, Dayton  
B.S. (University of Dayton)

Joseph Barry Risher, Enon  
B.A. (Miami University)

Robert John Roberts, Plymouth, Mich.  
B.S. (Capital University)

Thomas Lee Rogers, Kenton

Philip Paul Rothermel, Columbus  
B.S.

Dennis Robert Salapack, Canton  
B.A. (University of Akron)

Alex David Sales, Uhrichsville  
B.S.

Michael David Salkovitch, Beachwood  
B.S.

J. Michael Sarnovsky, Elyria  
B.S. (Ohio University)

John Joseph Scherer, Bellevue

Nikolaj Schischiskij, Vandalia  
A.B. (Miami University)

Eric Christian Schlanser, Cincinnati  
B.S.

James Michael Schultz, Lyndhurst  
B.S.Bus.Adm. (Miami University)

Gary E. Schumacher, Dover  
B.S. (Ohio University)

Joseph James Shadeed, Akron  
B.A. (University of Akron)

Scott Coburn Shafer, Germantown  
B.A. (Earlham College)

William Francis Shannon, Portsmouth  
B.S. (Ohio University)

H. Kent Slater, Oberlin  
B.S. (Otterbein College)

Randall MacDonald Speer,  
Worthington  
B.A.

Jack Spratt, Jr., Toledo  
B.S.

James Robert Stahl, Lima

William Thomas Stano, Jr.,  
Cleveland  
B.S. (Ohio University)

Paul Edward Staubitz, Cincinnati

Robert Bode Stickrath, Jr., Marietta

Patrick Joseph Stillisano, Willoughby  
B.S. (University of Notre Dame)

Glenn Ralph Swearingen, Jr., Toronto  
B.S. (University of Akron)

William Richard Syverson,  
Worthington  
B.S. (DePauw University)

James Forest Taylor, Bloomingdale

\*Robert Lee Trueblood, Columbus

Chris Bernard Uhlenbrock, Cincinnati  
B.A.

David Livingston Upperman,  
Groveport  
B.A. (Asbury College)

Henry Addison VanHala, Jr.,  
Rocky River  
B.A.

Ronald Lynn Walker, Columbus  
B.S.

Eric Wayne Warnock, Maumee  
B.S. (Capital University)

Wayne Richard Wauligman,  
Cincinnati

Douglas Allen Webb, Wooster

Alan Robert Weber, Cincinnati

William Edward Wellman, Greenhills

Thomas O'Brien Williams, Dayton  
B.S. (University of Dayton)

Alan Joseph Wood, Springfield  
B.S.

Barry Edward Wootton, Cincinnati

John Cheverton Wyatt, Cincinnati  
B.A. (Denison University)

\* Also Bachelor of Arts, Colleges of the Arts  
and Sciences

## College of Education

Dean: Donald P. Anderson

### Bachelor of Science in Education

Three hundred and fifty-four candidates

- Charles Phiness Adkins, Columbus  
Charles Anthony Amicon, Jr.,  
Columbus  
Ann Elizabeth Anderson, Coshocton  
Timothy Claiborne Anderson,  
Columbus  
Sarah Nees Antochow, Columbus  
Michael William Arbutina, Mansfield  
Michael Van Nicholas Axtell,  
Gallipolis  
B.A. (Marietta College)  
Robert Ignatius Baeslack, Seven Hills  
Deborah Jean Bailey, Lima  
Richard Mark Baker, Columbus  
Gerald Warren Ballinger, Cincinnati  
Janet Sue Benington, Dayton  
Mary Taylor Bensman, Lima  
Cheryl Bowers Bentley, Marion  
Donna Marie Bevilacqua, Columbus  
David Franklin Bible, Coshocton  
Michael Lee Binkley, Lima  
Jane Ellen Biro, Lakeside  
Ross Donald Bittner, Cincinnati  
Elizabeth Susan Black, Piqua  
Robin Reid Blevins, Columbus  
Thomas Allen Bloom, Heath  
Stephanie Anne Blume, Columbus  
Paul Jean Bodman, Columbus  
James Edward Bolinger, Van Wert  
Debra Ann Booth, Rocky River  
Catherine Gretchen Bornemiss, Girard  
Mary Helen Boston, Dayton  
Lynette Sue Boyce, Columbus  
David Walter Bradford, Grove City  
Jerry Linton Branham, Ashville  
Marc Alan Braun, Beachwood  
Patricia Bray, Marion  
Martha Lou Brediger, Chardon  
Alberta Berg Brennan,  
Washington C. H.  
Michael Joseph Brennan, Columbus  
Sharon Lee Brenneman, Rawson  
Gary Sanford Brian, Sandusky  
Charles Bradley Brobeck, Marysville  
Janet Hope Brownstein, Akron  
Anne Cecelia Brugger, Springfield  
Barbara Kay Bruny, Columbus  
Larry Anthony Buccilla, Columbus  
Nancy Ann Buchanan, Middleport  
Mary Schnug Buck, Hilliard  
Judith Lossing Callander, Newark  
Frederick Lee Camp, Wilmington  
Margaretta Ludden Camp, Columbus  
Marcia Ruth Canine, Rocky River  
Marie Antoinette Caporini, Shelby  
Sallyann Carpenter, Columbus  
Peter Gordon Carswell, Columbus  
Jean Ann Carte, Columbus  
Jeanette Steinke Carter, Uniopolis  
Mary Lawrence Chafin, Worthington  
Barbara Jean Chesler,  
Garfield Heights  
Marilyn Anne Claar, Springfield  
Myra Dawn Clark, Columbus  
Janet Sue Close, Shelby  
William Robert Coe, Columbus  
Karen Anne Conklin, Warren  
Christy Ellen Conn, Columbus  
Janet Beth Cooke, Columbus  
Connie Candler Corkwell, Columbus  
Susan Helene Cossman, Fords, N. J.  
Linda Van Horn Cummings,  
Columbus  
Cathy Lee Dabney, Columbus  
Elsie Yvonne Danner, Columbus  
Virginia Kieffer Deal, Columbus  
B.F.A.  
Susan Earnhardt Deering, Waverly  
Nancy Susan Dempsey, Columbus  
Simone DePasquale, Jr., Columbus  
Patricia Atehison DeVore, Columbus  
June Maxine Dickerson, Hazlet, N. J.  
Keith Howard Dickess, New Albany  
Thomas Lester Donaldson, Newark  
Susan Ann Donegan, Kettering  
William Doran,  
Port Jefferson Station, N. Y.  
Claudia Suzanne Dostal, Bucyrus  
Elizabeth Ann Dalkoski, Cadiz  
Catherine Cox Dumbauld, Columbus  
Cathy Owens Edwards, Dayton  
Charlene Kay Eisele, Marion  
Diane Marie Elliott, Columbus  
Mark Alan Ely, Columbus  
Holly Anne Ensley, Fairborn  
Garry Lee Esmonde, Chardon  
Lorraine Esswein, Columbus  
Timothy Lynn Fannin, Newark  
Joseph William Farry, Columbus  
Christine Stroup Fazio, Wilmington  
Beth Ann Fisher, Columbus  
Constance Jean Fitzsimmons,  
Columbus  
Richard James Flint, Columbus  
Dorothy Joan Flowers, McClure  
Janelle Marie Forsyth, Columbus  
Carole Ann Poster, Centerburg  
James Irene Franklin, Lorain  
Maud Combs Franklin,  
Camp Dennison  
Mary Ann Hardin Free, Lucas  
Lisa Michal Freedman, Lorain  
Susan Marsha French, Columbus  
Ann Recker Frieson, Lima  
Glenda Kay Fuleky, Columbus  
Donna Kluender Gallanis, Columbus  
Carmen Elaine Garrett, Mattoon, Ill.  
Bruce Michael Gast, Prospect  
Joan Ann Gentry, Miamisburg  
Stephany Ann George, Willowick  
Debra Ann Ghezzi, Uhrichsville  
Michael Dennis Gifford, Columbus  
Katherine Julian Goldberg, Columbus  
Elizabeth Mary Grabowski, Chardon  
Cert. Grad. Dent. Hyg.  
Judith Lynn Granger, Marion  
Mary Ann Gray, South Euclid  
Diane Lola Green, Lodi  
Sally Lynn Griffith, Shelby  
James Douglas Grigger,  
North Royalton  
Suzanne Clara Grillo, Jackson  
Karen Sue Gubernath, Bucyrus  
Craig Randall Hadley, Hilliard  
Joseph Gallagher Hagloch, Dover  
Pamela Jeanne Hahn, Sandusky  
Jerry Nestor Hall, Whipple  
Timothy Dale Hamilton,  
West Mansfield  
Kathleen McGill Harte, Columbus  
Lynn Zubowsky Hartshorne,  
Columbus  
Frank Wesley Hatcher, Columbus  
Patricia Ledinsky Hauser,  
South Bend, Ind.  
Cynthia Johnson Hausser,  
Decatur, Ill.  
Joan Marie Hayes, Toledo  
Linda Frances Hecht, Norfolk, Va.  
Valerie Dawn Hergatt, Mansfield  
Vicki Lynn Hirsch, Livingston, N. J.  
Susan Marie Hoffman, Columbus  
Janet Dawn Hogan, Chardon  
Eugene Wallace Hohwald, Columbus  
Bernice Ruth Horbaly, Brecksville  
Faith Diane Houston, Columbus  
Bonita DeBacker Howard, Bucyrus  
Margaret Ann Howard, Columbus  
Holly Elizabeth Huber, Worthington  
Mary Ellen Hulme, Youngstown  
Margaret Sieh Huneke, Eaton  
Betty Humphreys Hunlock, Columbus  
Suellen James James, Fredericktown  
Stanley Jefferson, Germantown  
Janet Jenkins Johnson, London  
Paul Andrew Johnson, Williston  
Cathleen Ann Johnston, Columbus  
Carol Ann Jones, Lima  
Penny Lee Jones, Spencerville  
Thomas William Jones, Columbus  
Sandra Lee Jordan, Independence

\* Also Bachelor of Arts, Colleges of the Arts and Sciences

Louise Spivey Joyner, Columbus  
 Faith Lynette Justice, Kingston  
 Lynda Diane Kahn, Beachwood  
 Susan Lynn Kale, Columbus  
 Rose Kleski Kaplan, Gahanna  
 Lisa Freiberg Katz, Shaker Heights  
 Ann Irene Keck,  
   New Providence, N. J.  
 Anne Louise Kelly, Zanesville  
 Louann Sue Kent, Newark  
 David Leonard Killius, Youngstown  
 Patricia Lee Kinchy, Cleveland  
 Patricia Ellen Kleffman,  
   Pittsburgh, Pa.  
 Sheryl Ellen Kline, South Euclid  
 Linann Kay Knodel, Columbus  
 Nancy Jane Kolb, Centerville  
 Kim Forester Koos, Lorain  
 Marcia Louise Kos, Lorain  
 Wayne James Koury,  
   Cleveland Heights  
 Connie Dodson Kristoff, Columbus  
 Fran Cindy Krupp, Freeport, N. Y.  
 Paula Mae Kuehner, Columbus  
 Linda Marie Kufta, Brecksville  
 Nancy Ellen Kuper, Columbus  
 Karen Denise Kyle, McMurray, Pa.  
 Judith Ann Laird, Grove City  
 Robert Alvin Lamneck, Columbus  
 Jane Stauffer Lane, Lima  
 Elaine Marie Leckzesy, Fairview Park  
 Debora Tischer Lee, North Randall  
 William Arthur Leichman, Cincinnati  
 Michael Lawrence Leonino, Akron  
 Darlene Diller Lewis, Reynoldsburg  
 Nancy Jo Libster, Canton  
 Thomas Carl Lieb, Columbus  
 Carol Sue Liebenthal, Cincinnati  
 Linda Liuzella Lambert, Botkins  
 Joan Margaret Lindow, Columbus  
   Cert. Grad. Dent. Hyg.  
 Candice Cass Link, Newark  
 Richard Alan Link, Upper Sandusky  
 Betsy Sue Lobel, Hewlett, N. Y.  
 Susan Marie Longo, Steubenville  
 Patricia Ann Loschiavo, Troy  
 Michael Weeks Lowary,  
   Princeton, W. Va.  
 Nina Elizabeth Lubin, Beachwood  
 Christopher Dean Lucas,  
   Cannal Winchester  
 Terry R. Lugenbeal, Wooster  
 Beth Ann Lymanstall, Defiance  
   Cert. Grad. Dent. Hyg.  
 Karen Deborah Maki, Willowick  
 Pete Maneff, Columbus  
 Sandra Evans Manley, Columbus  
 Terry Edward Manning, Columbus  
 Linda Kay Marquardt, Kettering  
 John Franklin Martin, Newark  
 David Charles McCarty, New Carlisle  
 Marilyn Kay McGrievy, Lima  
 David Hubert McKay, Columbus  
 Mary Catherine Nally McKenzie,  
   Newark  
 Jean Hoover McLearn, Columbus  
 Nancy Stroup Medley, Shelby  
 Nancy Gail Lang Mehling, Columbus  
 Mark William Menard, Avon Lake  
 Susan Bobett Metzger, Grove City  
 Sharman McClead Meyer, Columbus  
 Nancy Jean Michaels,  
   Bedford Heights  
 James Franklin Middleton, Sidney  
 Nancy Duffy Milburn, Columbus  
 James Alan Miller, Lima  
 Patricia Fox Miller, Marion  
 Patricia Stout Miller, Delaware  
 Terry Lee Minister, Columbus  
 Ruth Maria Molock, Cheltenham, Md.  
 Vivian Vasil Monce, Columbus  
 Frances Ellen Montgomery, Newark  
 Isabel Myers Moon, Englewood, Fla.  
 Sheelah Kathleen Moriarty,  
   Columbus  
 Joyce Elaine Mueck, Richwood  
 Mark Kirsten Mueller, Findlay  
 Bradley Karlton Muller, Cincinnati  
 Robert Leo Musgrave, Arlington  
 Patricia Jones Nethers, Newark  
 Rebecca Jane Neubacher, Bucyrus  
 Kathryn Houser Neuendorf,  
   Fairview Park  
 David Simon Norris,  
   University Heights  
 Jon Charles Null, Orrville  
 Joyce Margaret O'Brien, Columbus  
 Corey Patrick O'Dell, Cleveland  
 Debra Frazier Odum, Columbus  
 Francis Patrick O'Grady, Columbus  
 Gloria Elsa Pados, Columbus  
 Evelyn Palecznicki, Canton  
 Patricia Conway Park, Marion  
 Richard James Park, Lima  
 Pamela Sue Passante, Columbus  
 Bonnie Ann Patten, Cincinnati  
 Patricia Ann Patton, Salem  
 Miriam Kristen Peck, Columbus  
 Lynn Jernigan Perry, Columbus  
 Jane Eileen Phillips, Kenton  
 Brenda Lee Phillips, Cedarville  
 Janice Lynn Pinter, Lorain  
 Martha Anita Pitney, McComb  
 Margilec Planton, Warren  
 Nancy Jean Potter, Columbus  
 Jerry Robert Price, Van Wert  
 Judy Lynn Price, Columbus  
 Susan Irene Pulsinelli, Columbus  
 Nancy Smith Purvis, Columbus  
 Sally Arnold Randles, Columbus  
 Diana Lynn Rarick, Millersport  
   Cert. Grad. Dent. Hyg.  
 Franklin Cole Ratermann,  
   Port Loramic  
 Carolyn Anne Ream, Hartsville  
 Peggy Anne Reed, Columbus  
 Pamela Lynn Reiter, Toledo  
 Pamela Ann Reno, Columbus  
 Susan Faye Rensi, Hopedale  
   Cert. Grad. Dent. Hyg.  
 Judith Larson Reynolds, Columbus  
 Barbara Jo Rickelman, Novelty  
 William George Rickett, Ashland  
 Jerry Alan Rizor, Amherst  
 Stephen Franklin Robbins, Napoleon  
 Marlene J. Robi, Richmond Hill, N. Y.  
 Roberta Lynn Robison, Matawan, N.J.  
   Cert. Grad. Dent. Hyg.  
 Lola Ellen Roley, Granville  
 Eleanor Diane Rosenfeld,  
   Shaker Heights  
 Gerald Edward Roush, Lima  
 Jane Ann Routsong, Dayton  
 Robert Gordon Rusiska, Mansfield  
 Jill Frymier Russell, Columbus  
 V'Ann Kimberly Ryther, Gahanna  
 Paula Diane Sand, Bucyrus  
 David Glenn Sanders, Columbus  
 Fredrick Jay Saull, Jr., Marion  
 John Edward Schlessman, Sandusky  
 Eric John Schmieder, Columbus  
 Helen Bernice Schuster, South Euclid  
 John Stephen Seeger, Chagrin Falls  
 Dennis Neal Shay, Columbus  
 Margie Diane Sheets, Delaware  
 Joan Geist Short, Columbus  
 Jill Dillon Shumaker, Newark  
 Toni Lynn Sidon, Martins Ferry  
 Michael Edward Siegel, Columbus  
 Jacquelyn Jeri Silver,  
   Greensboro, N. C.  
 Michael Elliot Slate,  
   University Heights  
 Charles Henry Slattery, Columbus  
 Edward Brian Slesnick, Canton  
 Susan Amelia Shiva, Cadiz  
 Rosemary Smart, Dayton  
 Audrey Schlosser Smith, Rawson  
 Terry Tilton Snow, Newark  
 Lana Galbreath Snyder, Columbus  
 Edwin Harry Solomon, Lyndhurst  
 Ann Fennig Spahr, Jeffersonville  
 Marylee Elizabeth Spain, Warren  
 Pamela Grafton Spence, Ashland  
 Marci Carol Spero, Milburn, N. J.  
 Virginia Ann Spurg, Columbus  
 John Thomas Starr, Livonia, Mich.  
 Linda Jeanne Steele, Beaver, Pa.  
 Becky McDonald Stevens, Botkins  
 Sharon Elizabeth Stevens, Columbus

## College of Engineering

Dean: Harold A. Bolz

James Eugene Stillson, Columbus  
Kevin Lee Stotts, Waynesfield  
Robert Lewis Stout, Pataskala  
Kathleen McMurray Straub, Delaware  
Stephen Porter Swartz, Waynesfield  
Vernon Jefferson Talbert, Columbus  
Marcus Allen Taylor, Columbus  
Mary Beth Terwoord, Berea  
Eric Neil Tessler, Bentleyville  
John David Thomas, Westerville  
Joy Ellen Thompson,  
West Manchester  
Roxanne Tippie, Dublin  
\*Thomas Gayle Tolan, Columbus  
Michael Anthony Trumps, Columbus  
\*Margaret Ruth Valentine,  
Elma, N. Y.  
Patricia VanTilburg, Forest  
Mary Hofstetter Vidourek, Columbus  
Thaddeus J. VonJasinski, III,  
Columbus  
A.B. (The Citadel)  
Peggy Jo Vrabel, Mansfield  
Gailyn Waddell, Centerville  
Jacalyn Carol Wallace,  
New Albany, Ind.  
David Willingham Wand,  
Schiller Park, Ill.  
John Lamar Webster, Springfield  
Richard Douglas Weinman, Toledo  
\*Elizabeth Ann Welker,  
East Liverpool  
Wendell Wilbur Weller,  
Fredericktown  
Judith Kline White, Columbus  
A.B. (Oberlin College)  
Pamela Smith White, Mt. Vernon  
Janice Armstrong Wiles, Wooster  
Linda Sharp Wilke, Columbus  
Lela Frances Williams, Marion  
David Steven Wilson, Cadiz  
Debra Cerele Wilson, Columbus  
Gerald William Wilson, Columbus  
Margaret A. Winegardner,  
Belle Center  
Marcia Arlene Wolfe, Harrisburg, Pa.  
Edward Charles Woodman,  
Avon Lake  
William Anthony Young, Columbus  
Ann Marie Zambon, Dillonvale  
Brenda Ann Zima, Chardon

**Bachelor of Art Education and  
Bachelor of Music Education  
degree are offered jointly by the  
College of The Arts and the  
College of Education  
Candidates are listed on page 14**

### **Bachelor of Science in Aeronautical and Astronautical Engineering**

One candidate

George Carl Tyler, Monroeville

### **Bachelor of Science in Agricultural Engineering**

Four candidates

Russell Dale Gest, Grafton  
Robert Leroy Gibbs, Fremont  
Paul Bruce Roseberry, Hilliard  
Joseph Charles Thompson,  
Colfax, Wash.

### **Bachelor of Science in Ceramic Engineering**

One candidate

Diane Nora Traub, Willoughby

### **Bachelor of Science in Chemical Engineering**

One candidate

Stephen Mark Irwin, Columbus

### **Civil Engineer**

One candidate

Jeremy Frank Elliot, Columbus  
B.S.

### **Bachelor of Science in Civil Engineering**

Thirteen candidates

Brent William Boreman, Shelby  
Rodney Edward Creager, Napoleon  
Jeffrey Robert Kramer,  
University Heights  
Timothy Allen Lawrence, Bucyrus

\* Also Bachelor of Arts, Colleges of the Arts  
and Sciences

Gordon Alan Lobodinsky, Lyndhurst  
James Michael Mardis, Vandalia  
Gurgun Muharrem,  
Nicosia, Cyprus  
Rashed Abdul-Aziz Al-Rashed  
Riad, Saudi Arabia  
James Calvin Smith, Trotwood  
Gregory John Tierney, Martins Ferry  
Joseph Leslie Ungvari, Cleveland  
Robert Alexander Vajda, Columbus  
B.A.  
Russell Lee Wertz, Tiffin

### **Bachelor of Science in Computer and Information Science**

Five candidates

Paul Roy Butler, Vienna  
Steven Mark Clemmer, Westerville  
Rohn E Craig, Medina  
James Thomas Roberts, Columbus  
Janet Marie Seibert, Bryan

### **Electrical Engineer**

One candidate

Stephen Douglas Brown, Columbus  
B.S.

### **Bachelor of Electrical Engineering**

One candidate

James Alexander Halladay,  
Bayside, N. Y.

### **Bachelor of Science in Electrical Engineering**

Twenty-one candidates

Mitchell Calvin Adams, Hanoverton  
Thomas Emanuel Alexy, Mansfield  
Stanley Jay Bednarczyk,  
Powhatan Point  
Craig Ambrose Colopy, Zanesville  
Larry Copanos, Akron  
Jon Randolph Dials, Westerville  
Roger Allen Eddy, Columbus

## College of Law

Dean: James C. Kirby, Jr.

Douglas Harmon Ensign, Springfield  
Michael William Heslop, Columbus  
James William Holdren, Cincinnati  
Steve Kiss, Bellaire  
Luther Joseph Mills, III, Shadyside  
B.S.Ch.E.

Dean Michael Nitschke, Perrysburg  
John William Rammel, Miamisburg  
Susan Elizabeth Ramser, Danville  
Thomas Anthony Reynolds, Dayton  
Vernon Gene Sproat, Salem  
Alan Robert Stuart, Columbus  
Albert Leon Swalley, Worthington  
Frank Lee Swanger, Shelby  
Jackie Lee Warnock, Portsmouth

### Bachelor of Science in Engineering Physics

Three candidates

George Henry Albers, Botkins  
Douglas Eugene Gingrich, Troy  
Theodore Alan Mustric, Worthington

### Bachelor of Science in Industrial and Systems Engineering

Four candidates

Orval Warren Karlen, Smithville  
Wing-Chuen Lun,  
Kowloon, Hong Kong  
Joseph Anthony Tapocsi,  
Maple Heights  
Michael John Yurgosky, Huron

### Bachelor of Science in Mechanical Engineering

Twenty candidates

Don Russell Barger, St. Paris  
Roger D. Brum, Westerville  
Cecilia Dosh-Bluhm Craig, Columbus  
Robert David Fell, Senecaville  
Timothy Wayne Freeze, Mason  
Gregg Tracy Gilbert, Toledo  
David John Hercik,  
Cuyahoga Falls  
Francis Charles Klahn, Columbus  
Bradley Wayne Larson, Chagrin Falls  
Keith Millar Leuthold, Mansfield

Clyde Dennis McCann, Jr., Columbus  
James John Molloy, Columbus  
Roger Allen Ormiston, Elyria  
Eugene Ernest Osborne, Reynoldsburg  
Philip Michael Penn, Columbus  
Larry Lynn Richcreek, Grove City  
Mark Thomas Sondrini, Columbus  
Gregory Wayne Takacs, Chesterland  
Finis Curtis Whitt, Wickliffe  
Dale Fredrick Witte, Hamler

### Bachelor of Science in Metallurgical Engineering

Five candidates

James Harold Bauman, Euclid  
Kenneth Richard Foulke, Columbus  
Carrie Lee Maykuth, Columbus  
Paul Joseph Schasney, Newton Falls  
Robert Hall Wagoner,  
Sterling Heights, Mich.

### Bachelor of Science in Welding Engineering

Two candidates

Stephen King Madden, Mansfield  
Jeffrey Vallen Prose, Worthington

## School of Architecture

### Bachelor of Science in Architecture

Two candidates

Christopher Joseph Humphrey,  
Columbus  
David Mark Kellner, Columbus

### Bachelor of Science in Landscape Architecture

One candidate

Charles Joseph Kenzig, Columbus

### Juris Doctor

Three candidates

Susan Barnes Collins, Columbus  
B.A.

John Charles Deat, Columbus  
B.S.Bus.Adm.

Judith Kelner Weiss, Philadelphia, Pa.  
B.S. (University of Pennsylvania)

## College of Medicine

Dean: Henry G. Cramblett, M.D.

### Doctor of Medicine

Three candidates

Michael Gregory Leadbetter,  
Brookville  
B.S. (Otterbein College)

Francis Gregory Noveske, Elyria  
B.S. (John Carroll University)

Peter Timothy Roemer, Solon  
B.A. (Bethel College)

### School of Allied Medical Professions

#### Bachelor of Science in Allied Health Professions

Eight candidates

Ronald Earl Harman, North Canton  
Roberta Ellen Khoury, Canton  
Nancy Jean Rung, Columbus  
Ronald Leon Saunders, Gallipolis  
Ben Francis Schowe, Columbus  
Anne Melinda Sexton, Celina  
James Eugene Snyder, Columbus  
Judith Marie Wechter, North Olmsted

#### Certificate of Nurse Anesthetist

Six candidates

Michael Ray HERNICZ, Hicksville  
Judith Ann Long, Dayton  
Allan Lee Miller, Hicksville  
Margaret Jo Schwartz Russell,  
Columbus  
Robert Wilkie Shepherd, Dayton  
Donald Jean Williams, Marion

#### Certificate of Post Baccalaureate Circulation Technologist

Two candidates

Jerome Joseph Bartosik, Warren  
B.S.  
Jeffrey Brock Riley, Stow  
B.A. (Kent State University)

## College of Pharmacy

Dean: Lloyd M. Parks

### Bachelor of Science in Pharmacy

One candidate

Richard L. Shumaker, Columbus

### Certificate of Post Baccalaureate Medical Technologist

One candidate

Jung-San Carolyn Huang,  
Taipei, Taiwan

### School of Nursing

#### Bachelor of Science in Nursing

One candidate

Coletta Ann Pycha, Garfield Heights



## Graduates With Honors

### Summa cum laude

Janet Sue Benington, Dayton  
Charles Nicholas Bertolami, Lorain  
Barbara Ann Bertsch, Cincinnati  
Roger D. Brum, Westerville  
Mary Schnug Buck, Hilliard  
Thomas Bowers Cook, Youngstown  
Thomas Whitney Crosby,  
Mayfield Village  
James Francis Eckman, Columbus  
Jennifer Jo Elam, Middletown  
Margaret Lucille Eshler, Barnesville  
James Irene Franklin, Lorain  
Mary Ann Hardin Free, Lucas  
Donna Kluender Gallanis, Columbus  
Joan Ann Gentry, Miamisburg  
Diane Lola Green, Lodi  
Delbert Haney, Gallipolis  
Joan Marie Hayes, Toledo  
Pamela Clare Henjum, Cincinnati  
Mary Ellen Hulme, Youngstown  
Margaret Siehl Huneke, Eaton  
Faith Lynette Justice, Kingstown  
Lynda Diane Kahn, Beachwood  
Jack Dennis King, Mansfield  
Paula Mae Kuehner, Columbus  
Robin Joan Landefeld, Massillon  
Darlene Diller Lewis, Reynoldsburg  
Nancy Stroup Medley, Shelby  
David Lawrence MacKnight, Madeira  
Nancy Duffy Milburn, Columbus  
Assad Moheimani, Columbus  
James John Molloy, Columbus  
Ruth Maria Molock, Cheltenham, Md.  
Glenn Edwin Morrical, Columbus  
Kathleen Susan Nelson,  
Huntington Beach, Calif.  
Susan Stranahan Parker, Columbus  
Judy Lynn Price, Columbus  
Carol Ann Shivers, Columbus  
Joan Geist Short, Columbus  
Pamela Grafton Spence, Ashland  
Douglas Paul Starr, Mt. Vernon  
Kevin Lynn Stayton, Sidney  
Linda Jeanne Steele, Beaver, Pa.  
Lesley Williams Steidley, Mansfield  
Valerie Capodanno Stewart, Mansfield  
Deborah Ann Theile, Cincinnati  
Vickie Lee Thurston, Columbus  
Frank John Trautman, Columbus  
Elizabeth Anne VanBalen, Columbus  
Robert Hall Wagoner,  
Sterling Heights, Mich.  
Judith Kelnor Weiss,  
Philadelphia, Pa.  
Elizabeth Ann Welker, East Liverpool  
Thomas Angelo Wirtanen,  
Chelmsford, Mass.

### Summa cum laude and with Distinction in Agronomy

Dennis Philip Garrity, Cleveland

### Summa cum laude and with Distinction in Animal Science

Theresa Anne Brim, Findlay  
William Joseph Otto, Cincinnati

### Summa cum laude and with Distinction in Biochemistry

Stephen Kent Powers, Columbus

### Cum laude

Mark Bartholomew Adams, Dayton  
Laura Neece Baltaro, Columbus  
Heather Ann Beatty, Canton  
Robert Richard Beebe, Cincinnati  
Loris Paul Bemederfer, Columbus  
Hayes Ronald Berk, Youngstown  
Lynette Sue Boyce, Columbus  
John Michael Bozick, Adena  
Robert James Brancatelli,  
Parma Heights  
Mareia Ruth Canine, Rocky River  
Mark Steven Coco, Alliance  
Connie Hurst Codispoti, Kettering  
Susan Barnes Collins, Columbus  
Connie Candler Corkwell, Columbus  
John Charles Deal, Columbus  
David James Delnostro,  
Highland Heights  
Robert E. Ellis, North Canton  
Constance Jean Fitzsimmons,  
Columbus  
Deborah Attridge Floyd, Cincinnati  
Michael Joseph Gade, Seven Hills  
David Lloyd Gill, Columbus  
Mary Ann Gray, South Euclid  
Lorece Ellen Green, South Euclid  
Suzanne Clara Grillo, Jackson  
Richard Anthony Guzzo,  
Reynoldsburg  
Susan Lynn Guzzo, Columbus  
Pamela Jeanne Hahn, Sandusky  
James Alexander Halladay,  
Bayside, N. Y.  
Linda Louise Halsey, Marion  
David Alan Hance, Piqua  
Patricia Ledinsky Hauser,  
South Bend, Ind.  
Karl Ray Hiltner, Dover  
Mark David Holmes, Westlake  
Holly Elizabeth Huber, Worthington  
Charles Robert Janes, Reynoldsburg  
Burton Wayne Job, Warren  
Carol Ann Jones, Lima  
Linda Elise Kalette, Syracuse, N. Y.  
Louann Sue Kent, Newark  
Daniel Lee Kessler, Columbus  
Richard Russell Kneisley, Dayton  
Robert Edward Kneisley, Dayton  
Sue Jane Knox, Euclid  
Nancy Jane Koib, Centerville  
Charles Joseph Lauferweiler,  
Columbus  
Kenneth David Lebda, Columbus  
Carl Alan Legg, Athens  
Christopher George Lohman,  
Columbus  
Deborah June Longley, Akron  
Beth Ann Lymanstall, Defiance  
Don Wesley Martin, Worthington  
John Jared McClintock, Columbus  
Laura Lissa McKinney, Portsmouth  
Leah Ethel Meyer, University Heights  
Marlene Woolun Monnett, Columbus  
Thomas Michael Murphy, Athens  
Ronald Alan Neff, Columbus  
Debra Ann Newman,  
Miami Beach, Fla.  
Rebecca Anne Niedecken, Delphos  
Joyce Margaret O'Brien, Columbus  
Patrick Joseph O'Farrell, Columbus  
Sandra Oliver, Columbus  
Mary Elizabeth Overmyer, Elmore  
Richard Dickson Owens, Jeffersonville  
Barbara Louise Parker, Warren  
Mark Anthony Penn, Mt. Gilead  
Harold George Pryor, Cleveland  
Nancy Smith Purvis, Columbus  
Nancy Christine Rafeld, Columbus  
Peggy Anne Reed, Toledo  
Alan Ralph Rendina, Columbus  
Dale Edward Reno, Washington C. H.  
Judith Larson Reynolds, Columbus  
Martin Thomas Rini, Columbus  
Lola Ellen Roley, Granville  
John Leland Romine, Pataskala  
Judy Ann Ruth, Marion  
J. Michael Sarnovsky, Elyria  
Eric Christian Schlanser, Cincinnati  
James Michael Schultz, Lyndhurst  
Diane Cook Semon, Columbus  
Joseph James Shadede, Akron  
Jacquelyn Jeri Silver,  
Greensboro, N. C.  
H. Kent Slater, Oberlin  
Lana Galbreath Snyder, Columbus  
Kevin Lee Stotts, Waynesfield  
Gwendolyn Sue Stukey, Columbus  
Nan Sue Teitelbaum, Bellbrook  
Nancy Kay Teton, Los Angeles, Calif.  
Catherine Marie Turocy,  
Chagrin Falls  
Michael Robert Urban, Painesville  
Daniel Edwin Walker, Columbus  
Joseph Frances Walsh, Springfield  
Alan Robert Weber, Cincinnati  
Elizabeth Ann Welker, East Liverpool  
Paul Frederick White, Jr., Columbus  
Klaus Heinz Wiesmann, Cincinnati  
Joseph Anthony Wildi, Columbus  
Janice Armstrong Wiles, Wooster  
Barbara Susan With, Cincinnati  
Cynthia Rose Wutchiett, Cleveland  
Brenda Ann Zima, Chardon

**Cum laude and with  
Distinction in English**

Cathy Coffman Howard, Waynesville  
Richard Campbell Jenkinson,  
York, Pa.

**Cum laude and with  
Distinction in Entomology**

Glenn Robert Edgecombe,  
Fairview Park

**Cum laude and with  
Distinction in Genetics**

James Paul Girves, Columbus

**Cum laude and with  
Distinction in History of Art**

Susan Catherine Smith, Chesterland

**Cum laude and with  
Distinction in Home Economics**

Marilyn Sue Hufford, Troy

**Cum laude and with  
Distinction in International Studies**

Daniel Robert Moreland, Columbus

**With Distinction in Agricultural  
Economics**

David Lee Hague, Senecaville

**With Distinction in History**

Philip Realmuto, Brooklyn, N. Y.

**With Distinction in Horticulture**

Blake Eugene Rafeld, Ashland

**With Distinction in Rural Sociology**

Ted Paul Becker, Eaton

**With Distinction in Theatre**

Jennifer Lee, Columbus

Page 427 Blank

Page 428 Blank

THE OHIO STATE UNIVERSITY  
OFFICIAL PROCEEDINGS OF THE  
ONE THOUSAND AND NINETY-FIFTH MEETING  
OF THE BOARD OF TRUSTEES

Lima, Ohio, April 5, 1974

The Board of Trustees met at its regular monthly meeting on Friday, April 5, 1974, at The Ohio State University Lima Regional Campus, Lima, Ohio, pursuant to adjournment.

Present: Don M. Hilliker, Chairman, William C. Safford, John H. Dunlap, M. Merle Harrod, John L. Gushman, Howard D. Sirak, and Patricia D. James.

\* \* \*

Minutes of the last meeting were approved.

\* \* \*

Mr. Hilliker expressed the appreciation and pleasure of the Board to the staff of the Lima Campus for having the opportunity to meet in such beautiful surroundings. He also stated that all of those who had the foresight, energy, and money to develop the Lima Campus were to be congratulated.

- o -

Mr. Hilliker indicated that action on the proposed rate increase for Buckeye Village which was postponed at the March 1, 1974 meeting would be taken up at the May meeting of the Board.

- o -

President Enarson concurring in the comments of the Chairman said he was pleased to be meeting on the Lima Campus which along with the other Regional Campuses are an essential part of The Ohio State University.

---

#### RESOLUTIONS IN MEMORIAM

President Enarson reported to the Board the deaths of Francis I. Bell, County Extension Agent Emeritus in the Cooperative Extension Service; Robert Clifford Chase, Instructor in the Department of Preventive Medicine; Florence M. Harvey, Professor Emeritus in the School of Nursing; Joseph F. Haskins, Professor Emeritus in the Department of Chemistry; Paul N. Lehoczky, Professor Emeritus in the Department of Industrial and Systems Engineering; Gladyce E. Scott, Instructor Emeritus in the University Libraries; Francis Lee Utley, Professor in the Department of English; and John F. Williams, Jr., Assistant Professor in the Department of English. In accordance with the instructions of the Board of Trustees, copies of the following resolutions expressing on behalf of the University the sorrow and sympathy of the Board will be furnished the families of the deceased.

##### A. Francis I. Bell

The Board of Trustees of The Ohio State University expresses its sorrow at the death on February 19, 1974, of Francis I. Bell, County Extension Agent Emeritus in the Cooperative Extension Service.

Mr. Bell was born September 13, 1901, in Zanesfield, Ohio. He was graduated from West Mansfield High School in 1919. He received a Bachelor of Science in Agriculture degree from The Ohio State University in 1923. Additional education towards a Master of Science degree in Agricultural Economics was undertaken in 1925 and 1930 at Ohio State, in 1939 at Cornell University, plus additional work at Purdue, Wisconsin, and Colorado A & M.

April 5, 1974 meeting, Board of Trustees

RESOLUTIONS IN MEMORIAM (continued)

A. Francis I. Bell (continued)

Prior to joining the faculty of The Ohio State University on August 1, 1926, Mr. Bell was employed as vocational agriculture teacher in both Fayette and Williams Counties. His entire Cooperative Extension career was in Williams County. He retired on January 31, 1964. In 1952 and 1953, Mr. Bell served as an Extension Specialist in Agriculture with the Foreign Agriculture Service of the United States Department of Agriculture. His assignment was in India and a leave of absence was granted from the Williams County Agricultural Agent position.

Mr. Bell was a dedicated and highly respected leader in Williams County as well as among his peers within and beyond the State of Ohio. Mr. Bell was active in the affairs of the Ohio Cooperative Extension Agents' Association. He will be remembered for his contribution as an educational leader in Williams County. The impact of his leadership is felt in the dairy industry and with both agronomy and farm management education programs.

On behalf of the University community, the Board of Trustees expresses to the family of Mr. Bell its deepest sympathy. It was directed that this resolution be inscribed in the minutes of the Board of Trustees and a copy be tendered to Mrs. Bell as sincere appreciation of the Board's realization of the loss which the family, the University, his many friends and associates have sustained.

B. Robert Clifford Chase

The Board of Trustees of The Ohio State University expresses its sorrow at the death on February 3, 1974, of Robert Clifford Chase, Instructor in the Department of Preventive Medicine.

Robert Chase was born in Piercefild, New York, on April 2, 1929. He was graduated from the University of Maine in 1953, with the degree of Bachelor of Science in Chemical Engineering. He became a member of the Society of Professional Engineers and continued to work at the University of Maine as Instructor in Engineering. He also pursued graduate studies and earned the degree of Master of Science in Chemical Engineering in 1956. He first came to The Ohio State University in 1959 and spent one year as Instructor in the Department of Chemical Engineering. He then returned to the University of Maine as Associate Professor of Chemical Engineering, from 1960 to 1964. In 1965, he returned to The Ohio State University to pursue further studies and to serve as Math Analyst at the Computer Center.

Robert Chase had a rare combination of skills in computer science and engineering and a talent for adapting these skills to needs for information science and technology in medicine. This arose not out of his formal educational background alone, but rather out of unique vision and the ability to synthesize the concepts of several fields. In October, 1966, he was invited to join the Department of Preventive Medicine, where he served with distinction to the time of his death on February 3, 1974.

April 5, 1974 meeting, Board of Trustees

RESOLUTIONS IN MEMORIAM (continued)

B. Robert Clifford Chase (continued)

In the course of his activities in the Department of Preventive Medicine, Robert Chase participated in numerous studies that resulted in scientific publications. His versatility is exemplified by the titles of his papers that include medical data processing, engineering applications in medical research, studies of human performance under stress, and the assessment of health care.

In 1969, Robert Chase was appointed Associate Director of the Biometrics Laboratory of the Department of Preventive Medicine. Together with his colleagues in the Laboratory he served over 400 faculty, students, and research fellows in the design of biomedical investigations and the analysis of research data. This devoted work was responsible for significant augmentation of the research capability of the College of Medicine and of related programs throughout the University. He also served on the Coordinating Committee of the Biomedical Engineering Center of The Ohio State University.

On behalf of the University, the Board of Trustees expresses to his family its deep sympathy and sense of understanding in its loss. It was directed that this resolution be inscribed upon the minutes of the Board of Trustees and that a copy be tendered to the family as a humble expression of the Board's heartfelt sympathy in its bereavement.

C. Florence M. Harvey

The Board of Trustees of The Ohio State University expresses its sorrow at the death on February 3, 1974, of Florence M. Harvey, Professor Emeritus in the School of Nursing.

Miss Harvey had been associated with The Ohio State University from 1951 until her retirement in June, 1972. In 1951 she accepted a faculty position in the School of Nursing while also assuming the responsibilities as Director of Psychiatric Nursing at Upham Hall (then the Columbus Psychiatric Institute and Hospital). While serving in this dual position, Miss Harvey, in collaboration with several others, designed and implemented a six-months nurse residency program for psychiatric nurses lasting from 1956 to 1961.

It was through Miss Harvey's efforts that a course in psychiatric nursing became an integral part of the undergraduate nursing curriculum at The Ohio State University. Prior to Miss Harvey's coming to The Ohio State University, students had had to affiliate with psychiatric institutions in Toledo, New York, and Chicago. In 1967 Miss Harvey resigned her position as Director of Nursing Service at Upham Hall to devote full-time efforts to the School of Nursing.

A native of Dover-Foxcraft, Maine, Miss Harvey earned her baccalaureate degree from Columbia University Teachers College and a Master of Education degree from The Ohio State University. From 1934 until coming here Miss Harvey had held a variety of positions in nursing including staff nurse



RESOLUTIONS IN MEMORIAM (continued)

C. Florence M. Harvey (continued)

and head nurse positions; faculty positions in such institutions as Butler Hospital School of Nursing, Cornell University-New York Hospital School of Nursing, University of Michigan School of Nursing, and the Johns Hopkins Hospital School of Nursing; director of nursing in the Westchester Division of The New York Hospital, Henry Phipps Psychiatric Clinic (Johns Hopkins Hospital), and Spring Grove State Hospital in Catonsville, Maryland.

Miss Harvey was active in the Central Ohio League for Nursing and the Mid-Ohio District Nurses Association. She served for several years on the Nursing Service Committee of the Columbus Hospital Federation. From 1962 until 1967 Miss Harvey was a nursing service consultant to the Veterans Administration Hospitals at Brecksville and Chillicothe, Ohio. From 1952 to 1962 Miss Harvey was a member of the Nursing Service and Educational Committee of the Ohio Division of Mental Hygiene and Correction. Other professional activities included membership in the American Association of University Professors, and Sigma Theta Tau, a nursing honorary.

On behalf of the University, the Board of Trustees expresses to her family its deep sympathy and sense of understanding in its loss. It was directed that this resolution be inscribed upon the minutes of the Board of Trustees and that a copy be tendered to the family as a humble expression of the Board's heartfelt sympathy in its bereavement.

D. Joseph F. Haskins

The Board of Trustees of The Ohio State University expresses its sorrow at the death on December 18, 1973, of Joseph F. Haskins, Professor Emeritus in the Department of Chemistry.

Professor Joseph F. Haskins was born in St. Joseph, Michigan, August 1, 1891. He began his career in chemistry at Denison University where he obtained a B.S. degree in 1914 and the M.S. degree in 1917. After service as a First Lieutenant in the Army Air Force in World War I, he entered The Ohio State University where he worked as a Teaching Assistant while earning the Ph.D. degree in chemistry in 1922 under the supervision of the late Professor William McPherson. He then joined the faculty at the College of Wooster as an Instructor in Chemistry; he was advanced to the position of Assistant Professor in 1923, and to Professor in 1924. While at Wooster he served as Visiting Assistant Professor of Chemistry at Ohio State during the Summers of 1924, 1925, 1926, and 1927. He served as Professor of Chemistry at Wooster until 1929, at which time he joined the technical staff of E. I. du Pont de Nemours and Company, Wilmington, Delaware. At du Pont he served as a Research Laboratory Supervisor until 1936. In 1936 he accepted a position as a Special Research Chemist with the Canadian International Paper Company in Hawkesbury, Ontario. In 1942 he moved to Columbus, Ohio, to accept the position of Professor of Chemistry, a position he held until retirement in 1961 to become Professor Emeritus.

April 5, 1974 meeting, Board of Trustees

RESOLUTIONS IN MEMORIAM (continued)

D. Joseph F. Haskins (continued)

Professor Haskins' research was concerned with the chemistry of cellulose and its derivatives, an area in which he made a number of inventions covered by U. S. Patents and authored several papers for publication in scientific journals. He was a co-author of textbooks and laboratory teaching manuals in General Chemistry. Dr. Haskins was a member of the American Chemical Society, Phi Beta Kappa, Sigma Xi, and Phi Lambda Upsilon.

On behalf of the University, the Board of Trustees expresses to the family its deep sympathy and sense of understanding in its loss. It was directed that this resolution be inscribed upon the minutes of the Board of Trustees and that a copy be tendered to the family as a humble expression of the Board's heartfelt sympathy in its bereavement.

E. Paul N. Lehoczky

The Board of Trustees of The Ohio State University expresses its sorrow at the death on February 25, 1974, of Paul N. Lehoczky, Professor Emeritus in the Department of Industrial and Systems Engineering.

Born in Pittsburgh, Professor Lehoczky was a graduate of Case Institute of Technology in 1927. He received his Master of Science degree in 1928 and his Ph. D. degree in 1931, both from The Ohio State University. He joined the faculty of Ohio State in 1928 and was instrumental in the creation and development of the Department of Industrial and Systems Engineering. He became Chairman of the Department in 1944 and served in that position until 1964. In 1965 he retired as Professor Emeritus. He served the University in many ways, leading his Department to a position of national prominence, creating the first five-year program in Industrial Engineering and participating actively in major boards and committees.

Dr. Lehoczky's service to a variety of government and industrial agencies included appointment by President Eisenhower to a three-man fact-finding board required under provisions of the Taft-Hartley Act to inquire into the steel strike of 1959. His arbitration practice was chiefly in the steel, steel products, glass, chemical, rubber, aircraft, and metal-working industries, as well as the iron mines.

In recent years he had been a permanent arbitrator for a number of contracts including Goodyear Aerospace--United Auto Workers; White Pine Copper Co. and USW; De Havilland (Toronto) and U. A. W. ; National Electric Coil and I. W. E. ; PPG Industries and UGCWA; Hanna Mining--United Steel Workers; Pickands Mather--USW; Westinghouse E & M--International Union of Electrical Workers (work standards), and others. Earlier he served in a similar capacity for the Pittsburgh Plate Glass Co. for ten years. He was chairman of a three-man board empowered to write sections of the labor contract after a 142-day strike between Pittsburgh Plate Glass and the United Glass and Ceramic Workers. He served in a similar capacity for the Springfield, Ohio, newspapers and printing pressmen.

April 5, 1974 meeting, Board of Trustees

RESOLUTIONS IN MEMORIAM (continued)

E. Paul N. Lehoczky (continued)

On behalf of the University, the Board of Trustees expresses to his family its deep sympathy and sense of understanding in its loss. It was directed that this resolution be inscribed upon the minutes of the Board of Trustees and that a copy be tendered to the family as a humble expression of the Board's heartfelt sympathy in its bereavement.

F. Gladyce E. Scott

The Board of Trustees of The Ohio State University expresses its sorrow at the death of Gladyce E. Scott, Instructor Emeritus in the University Libraries, on September 25, 1973.

Gladyce E. Scott was born December 11, 1904, in Lancaster, Ohio. She obtained a B. A. degree in 1927 from Ohio Wesleyan University where she then was employed in the library until 1928. Miss Scott attended the University of Illinois in 1929 where she earned the B. S. L. S. degree. During the Summer of 1929, Miss Scott served as a librarian at the Akron Public Library.

On September 1, 1929, Miss Scott joined the staff of The Ohio State University Libraries where she served continuously as Librarian-in-Charge of Binding until her retirement in 1968.

During her career with the University Libraries, Miss Scott contributed ideas as well as many years of service to the improvement of all technical service areas and especially the area of binding for which she was responsible. On problems of binding and collection preservation, her assistance was constantly sought, reflecting her devotion to the profession and to the University. Throughout her career, Miss Scott earned and maintained the respect of her colleagues.

On behalf of the University community, the Board of Trustees expresses to the family and friends its deepest sympathy. It was directed that this resolution be inscribed in the minutes of the Board of Trustees and that a copy be tendered to the family and friends as a sincere expression of sympathy and respect.

G. Francis Lee Utley

The Board of Trustees of The Ohio State University expresses its sorrow at the death of Francis Lee Utley, Professor in the Department of English, on March 8, 1974.

Professor Utley was born in Watertown, Wisconsin, in 1907, and was a graduate of the University of Wisconsin. He received M. A. and Ph. D. degrees from Harvard, the latter in 1936.

RESOLUTIONS IN MEMORIAM (continued)

G. Francis Lee Utley (continued)

In 1935 Professor Utley joined the faculty of The Ohio State University, where he served long and brilliantly as teacher, scholar, and citizen of the academic community. He attained the rank of Professor in 1947, and in 1973 was honored by being named the first Professor of English and Folklore at this institution. Throughout his career he published frequently in the fields of medieval and modern literature, linguistics, and folklore. His best-known book was The Crooked Rib, a study of medieval stereotypes of women; but he was also the author of countless articles and notes, and the editor of a number of studies of literary figures and phenomena. At the time of his death he was working on a major research project dealing with apocryphal stories of the flood. His research had been supported by three Guggenheim Fellowships.

Professor Utley was internationally known and respected as a scholar. He was past national president of the American Folklore Society, the College English Association, and the American Name Society. He was also an officer of the Ohio Academy of Science, a member of the Executive Board of the Modern Language Association, and a fellow of the American Folklore Society and the American Anthropological Association. He lectured in Padua, Rome, Oxford, Uppsala, and Helsinki. He was instrumental in establishing the American place-name survey and the Center for Medieval and Renaissance Studies at Ohio State.

On behalf of the University community, the Board of Trustees expresses to the family of Professor Utley its deepest sympathy. It was directed that this resolution be inscribed in the minutes of the Board of Trustees and that a copy be tendered to the family as a sincere expression of sympathy and respect.

H. John F. Williams, Jr.

The Board of Trustees of The Ohio State University expresses its sorrow at the death on February 11, 1974, of John F. Williams, Jr., Assistant Professor in the Department of English.

Professor Williams was born in Boston, Massachusetts, in 1939, and received his B. A. degree from Dartmouth College. He received his M. A. degree from Indiana University in 1967 and did further graduate work there. He was appointed Assistant Professor of English at The Ohio State University in 1970. Professor Williams was a member of the Modern Language Association and the American Association of University Professors.

On behalf of the University, the Board of Trustees expresses to the family and his friends its deep sympathy and sense of understanding in their loss. It was directed that this resolution be inscribed upon the minutes of the Board of Trustees and that a copy be tendered to the family as a humble expression of the Board's heartfelt sympathy in its bereavement.

\*

\*

\*

President Enarson presented the following recommendations:

I. GENERAL RECOMMENDATIONS

A. Revision of Rule 43.02 of Rules for the University Faculty

During the past several years a number of graduate programs in this country have begun to experience a drop off in applicants and in enrollments. Because of this growing trend, more and more universities are finding it necessary to increase their recruitment efforts to sustain their current enrollment levels. With this effort many of the major institutions either have or are in the process of revising the application process to make it less onerous, including deferring the payment of an Application Fee until such a time that the students are accepted in the program.

President Enarson recommended that this University adopt a similar procedure whereby the \$10 fee for those applying to the Graduate School of this University is deferred and incorporated into the Acceptance Fee which will be increased from \$15 to \$25. The Rule which must be amended to achieve this change in fee structure is attached.

43.02. Application and Acceptance Fees.\*

Section 1. Undergraduate. Undergraduate applications for first admission to the University must be accompanied by an Application Fee of \$10. This fee is non-refundable and is not credited against any other fees charged by the University.

Section 2. A non-refundable Acceptance Fee in the amount of \$25 is assessed all students enrolling for the first time in one of the University's undergraduate degree-granting colleges or schools or University College. The Acceptance Fee is to be paid within three weeks following notification of official admission, in all cases prior to orientation, or within two weeks prior to the final date for registration.

Section 3. Professional. Professional applications for first admission to the University must be accompanied by an Application Fee of \$10. This fee is non-refundable and is not credited against any other fees charged by the University.

Section 4. A non-refundable Acceptance Fee in the amount of \$15 is assessed all students enrolling for the first time in one of the professional colleges of The Ohio State University. Payment is to be made at the time registration forms are requested.

---

\*Rule initiated by Board of Trustees.

April 5, 1974 meeting, Board of Trustees

I. GENERAL RECOMMENDATIONS (continued)

A. Revision of Rule 43.02 of Rules for the University Faculty (continued)

43.02. Application and Acceptance Fees. \* (continued)

Section 5. Graduate. A non-refundable Acceptance Fee in the amount of \$25 is assessed all students enrolling for the first time in the Graduate School of the University. Payment is to be made at the time registration forms are requested.

Upon motion of Mr. Safford, seconded by Mr. Gushman, the Board of Trustees approved the foregoing recommendation by unanimous voice vote.

B. Reprinted Sections--Bylaws of the Board of Trustees and Rules for the University Faculty

Two sections of the publication--Bylaws of the Board of Trustees and Rules for the University Faculty--have been reprinted to conform with changes which have been approved by the Board of Trustees since the last publication in March, 1973.

President Enarson recommended that these two reprinted sections be accepted as the official publication of the Board of Trustees.

Upon motion of Mrs. James, seconded by Mr. Gushman, the Board of Trustees approved the foregoing recommendation by unanimous voice vote.

\*

\*

\*

II. PERSONNEL ACTIONS

Personnel actions since the March 1, 1974 meeting of the Board, as recorded in the official "Salary Roll" of the University, include the following Appointments, Leaves of Absence Without Salary, and Emeritus Titles:

A. Appointments

Joseph R. Bianchine, Professor and Chairman, Department of Pharmacology, effective July 1, 1974, at a salary of \$35,208 per annum.

Samuel H. Osipow from Professor and Acting Chairman to Professor and Chairman, Department of Psychology, effective April 1, 1974, at a salary of \$25,588 per annum.

Heinz P. Pieper from Professor and Acting Chairman to Professor and Chairman, Department of Physiology, effective April 1, 1974, at a salary of \$30,648 per annum.

April 5, 1974 meeting, Board of Trustees

II. PERSONNEL ACTIONS (continued)

B. Leaves of Absence Without Salary

Anthimos J. Christoforidis, Professor, Department of Radiology, effective April 1, 1974 through April 30, 1974, for personal reasons.

Jean Rhoad, Assistant Professor, Lima Campus, effective April 1, 1974 through June 30, 1974, for personal reasons.

Gale Marie Baumgardner, Instructor, Cooperative Extension Service, effective April 1, 1974 through June 30, 1974, to participate in a program of professional improvement at Kansas State University of Agriculture and Applied Science, Manhattan, Kansas.

Bonnie Lu Stultz, Instructor, School of Nursing, effective April 1, 1974 through June 30, 1974, for personal reasons.

C. Emeritus Titles

Richard H. Baker, Department of Agricultural Economics and Rural Sociology, with the title Professor Emeritus, effective May 1, 1974.

Leland D. Schuler, Cooperative Extension Service, with the title Associate Professor Emeritus, effective April 1, 1974.

President Enarson recommended that the Appointments, Leaves of Absence Without Salary, Emeritus Titles, and personnel budget actions as recorded in the "Salary Roll" of the University be approved.

Upon motion of Mr. Dunlap, seconded by Dr. Sirak, the Board of Trustees approved the foregoing recommendation by unanimous roll call vote, and the Secretary was instructed to file these changes in the "Salary Roll," an official document of the University.

\*

\*

\*

April 5, 1974 meeting, Board of Trustees

III. REPORT OF RESEARCH CONTRACTS, GRANTS, GIFTS, AND AGREEMENTS

President Enarson recommended that the following contracts and grants negotiated and monies received for the month of February be accepted.

Summary for February 1974

	No. of Projects	Support Level
Office of Fiscal Affairs and the Treasurer of the University	21	\$2,623,774.00
The Ohio State University Research Foundation	26	835,210.00
The Engineering Experiment Station	1	<u>14,833.00</u>
		\$3,473,817.00
	(Donors)	
The Ohio State University Development Fund	780	198,741.10

A detailed listing of the items in each section is shown on the following pages.

Upon motion of Mr. Safford, seconded by Mr. Gushman, the research agreements between The Ohio State University and The Ohio State University Research Foundation for the contracts and grants reported herein, and the acceptance of the report from the Office of Fiscal Affairs and the Treasurer of the University and The Ohio State University Development Fund, including the establishment of named funds, were approved by unanimous voice vote.



April 5, 1974 meeting, Board of Trustees

III. REPORT OF RESEARCH CONTRACTS, GRANTS, GIFTS, AND AGREEMENTS  
(continued)

A. Office of Fiscal Affairs and the Treasurer of the University

1. Federal Contracts/Grants

- a. \$789,920.00 additional grant from Department of Health, Education, and Welfare, National Institute of Education, Washington, D. C., for Vocational Development and Adjustments - Career Planning Support System, under the direction of Center for Vocational and Technical Education, for period March 1, 1973 through January 31, 1976. (Contract No. NE-C-00-3-0079, Modification No. 3)
- b. \$394,000.00 additional grant from Department of Health, Education, and Welfare, National Institute of Education, Washington, D. C., for Cooperative Development of Performance Based Curricular Systems for Vocational Education Personnel, under the direction of Center for Vocational and Technical Education, for period March 1, 1973 through July 31, 1976. (Contract No. NE-C-00-3-0077, Modification No. 3)
- c. \$308,000.00 additional grant from Department of Health, Education, and Welfare, National Institute of Education, Washington, D. C., for Instructional Systems Design, under the direction of Center for Vocational and Technical Education, for period March 1, 1973 through January 31, 1976. (Contract No. NE-C-00-3-0078, Modification No. 4)
- d. \$250,000.00 additional grant from Department of Health, Education, and Welfare, National Institute of Education, Washington, D. C., for Information, Evaluation, and Planning Systems for Vocational Education, under the direction of Center for Vocational and Technical Education, for period March 1, 1973 through July 31, 1975. (Contract No. NE-C-00-3-0076, Modification No. 3)
- e. \$152,517.00 additional grant from Department of Health, Education, and Welfare, Public Health Service, Bethesda, Maryland, for General Research Support Grant, under the direction of College of Medicine, for period January 1, 1973 through December 31, 1973. (Grant No. 3 S01 RR05409-12S1)
- f. \$146,250.00 additional grant from Department of Health, Education, and Welfare, National Institute of Education, Washington, D. C., for Diffusion Strategies for Career Education, under the direction of Center for Vocational and Technical Education, for period March 1, 1973 through October 31, 1975. (Contract No. NE-C-00-3-0080, Modification No. 3)
- g. \$142,016.00 additional grant from Department of Health, Education, and Welfare, Public Health Service, Bethesda, Maryland, for Health Professions Special Project Grant Program, under the direction of College of Medicine, for period July 1, 1973 through June 30, 1974. (Grant No. 3 D08 PE 00110-04, Supplement)

April 5, 1974 meeting, Board of Trustees

III. REPORT OF RESEARCH CONTRACTS, GRANTS, GIFTS, AND AGREEMENTS

(continued)

A. Office of Fiscal Affairs and the Treasurer of the University (continued)

1. Federal Contracts/Grants (continued)

- h. \$86,129.00 additional grant from Department of Health, Education, and Welfare, Public Health Service, Bethesda, Maryland, for Research and Faculty Training in Dental Anesthesiology, under the direction of College of Dentistry, for period March 1, 1974 through June 30, 1974. (Grant No. 3 T01 DE00291-02S1)
- i. \$84,603.00 granted by Department of Health, Education, and Welfare, Public Health Service, Bethesda, Maryland, for Biomedical Computing and Information Processing, under the direction of College of Medicine, for period April 1, 1974 through June 30, 1975. (Grant No. 1 T01 LM00159-01)
- j. \$36,228.00 additional grant from Department of Health, Education, and Welfare, Public Health Service, Bethesda, Maryland, for Health Professions Special Project Grant Program, under the direction of College of Dentistry, for period July 1, 1973 through June 30, 1975. (Grant No. 3 D08 PE 01205-02S1)
- k. \$30,278.00 additional grant from Department of Health, Education, and Welfare, Public Health Service, Bethesda, Maryland, for General Research Support Grant, under the direction of College of Pharmacy, for period January 1, 1973 through December 31, 1973. (Grant No. 3 S01 RR05607-07S1)
- l. \$27,000.00 additional grant from Department of Health, Education, and Welfare, Public Health Service, Bethesda, Maryland, for Surgery - Training Grant, under the direction of Department of Surgery, for period March 1, 1974 through June 30, 1974. (Grant No. 3 T01 GM01539-08S1)
- m. \$26,664.00 additional grant from Department of Health, Education, and Welfare, Public Health Service, Bethesda, Maryland, for Comparative Pathology - Training Grant, under the direction of Department of Veterinary Pathobiology, for period March 1, 1974 through June 30, 1974. (Grant No. 3 T01 GM01052-11S1)
- n. \$25,648.00 additional grant from Department of Health, Education, and Welfare, Public Health Service, Bethesda, Maryland, for Pharmacology - Training Grant, under the direction of Department of Pharmacology, for period March 1, 1974 through June 30, 1974. (Grant No. 3 T01 GM01417-09S1)

III. REPORT OF RESEARCH CONTRACTS, GRANTS, GIFTS, AND AGREEMENTS  
(continued)

A. Office of Fiscal Affairs and the Treasurer of the University (continued)

1. Federal Contracts/Grants (continued)

- o. \$17,417.00 granted by National Science Foundation, Washington, D. C., for An Implementation Project in Secondary School Science, under the direction of Academic Faculty of Science and Mathematics Education, for period February 1, 1974 through January 31, 1975. (Grant GW-4873, Proposal No. 4/00494)
- p. \$16,867.00 granted by National Science Foundation, Washington, D. C., for An Implementation Project in Secondary School Science, under the direction of Academic Faculty of Science and Mathematics Education, for period February 1, 1974 through January 31, 1975. (Grant GW-8474, Proposal No. 4/00334)
- q. \$12,329.00 additional grant from Department of Health, Education, and Welfare, Public Health Service, Bethesda, Maryland, for Special Project Grants for Preceptorship Training, under the direction of Department of Pediatrics, for period July 1, 1973 through June 30, 1974. (Grant No. 3 D08 PE 08018-02, Supplement)
- r. \$10,556.00 additional grant from Department of Health, Education, and Welfare, Public Health Service, Bethesda, Maryland, for Clinical Chemistry - Training Grant, under the direction of Department of Pathology, for period March 1, 1974 through June 30, 1974. (Grant No. 3 T01 GM01805-06S1)
- s. \$9,352.00 additional grant from Department of Health, Education, and Welfare, Public Health Service, Bethesda, Maryland, for Otolaryngology and Audiology - Training Grant, under the direction of Department of Otolaryngology, for period July 1, 1973 through June 30, 1974. (Grant No. 3 T01 NS05397-11S1)

TOTAL - Federal Contracts/Grants \$2,565,774.00

2. State of Ohio Contract/Grant

- a. \$24,000.00 granted by State of Ohio, Department of Health, Columbus, Ohio, for developing and implementing the Special Supplemental Food Program for Women, Infants and Children, under the direction of The Ohio State University Hospitals, Out Patient Department, for period March 1, 1974 through June 30, 1974.

III. REPORT OF RESEARCH CONTRACTS, GRANTS, GIFTS, AND AGREEMENTS

(continued)

A. Office of Fiscal Affairs and the Treasurer of the University (continued)

3. Industrial and Other Contract/Grant

- a. \$34,000.00 granted by Fayette County Board of Education, Fayetteville, West Virginia, for planning of new school plant facilities-- four new high schools, four new elementary schools, and six major renovation projects, under the direction of Academic Faculty of Educational Administration, for period February 1, 1974 through September 30, 1974.

B. The Ohio State University Research Foundation

1. Federal Research Contracts/Grants

- a. \$119,718.00 from Department of the Air Force, Rome Air Development Center, Griffiss Air Force Base, New York, for Laser Absorption Studies in the 5 Micron Band, under the direction of Department of Electrical Engineering, for period June 23, 1971 through August 31, 1974. (Project 3271-A1 - Mod. #P00005)
- b. \$82,000.00 additional funds from Department of the Army, Defense Supply Service, Washington, D. C., for The Utilization of the Behavioral Sciences in Long Range Forecasting and Policy Planning, under the direction of Department of Political Science. (Project 3527-A1 - Mod. #P0001)
- c. \$71,207.00 from Department of Health, Education, and Welfare, Public Health Service, National Institutes of Health, National Heart and Lung Institute, Bethesda, Maryland, for Biochemical Mechanism in Cardiac Hypertrophy, under the direction of Departments of Pathology and Medicine, for period March 1, 1974 through February 28, 1975. (Project 3405-A3 - Ext. #2)
- d. \$57,720.00 from Environmental Protection Agency, National Environmental Research Center, Research Triangle Park, North Carolina, for Mechanisms of Photochemically Initiated Oxidations, under the direction of Department of Chemistry, for period January 1, 1974 through December 31, 1974. (Project 1220-N - Ext. #13)
- e. \$57,374.00 from Department of Health, Education, and Welfare, Public Health Service, National Institutes of Health, National Institute of Child Health and Human Development, Bethesda, Maryland, for Household Formation, Fertility, and Market Activity, under the direction of Department of Economics, for period February 1, 1974 through January 31, 1975. (Project 3629-A2 - Ext. #1)

April 5, 1974 meeting, Board of Trustees

III. REPORT OF RESEARCH CONTRACTS, GRANTS, GIFTS, AND AGREEMENTS  
(continued)

B. The Ohio State University Research Foundation (continued)

1. Federal Research Contracts/Grants (continued)

- f. \$55,399.00 from Department of Health, Education, and Welfare, Public Health Service, National Institutes of Health, National Cancer Institute, Bethesda, Maryland, for Central Oncology Group, under the direction of Department of Surgery, for period February 1, 1974 through January 31, 1975. (Project 3167-A4 - Ext. #3)
- g. \$54,114.00 additional funds from Environmental Protection Agency, Washington, D. C., for Lake Erie Nutrient Control Program: An Assessment of Its Effectiveness in Controlling Lake Eutrophication, under the direction of College of Biological Sciences. (Project 3705-A1 - Amend. #1)
- h. \$45,460.00 from Department of Health, Education, and Welfare, Public Health Service, National Institutes of Health, National Institute of Neurological Diseases and Stroke, Bethesda, Maryland, for Psychoactive, Anticonvulsant, Antiparkinsonism Drugs, under the direction of College of Pharmacy, for period February 1, 1974 through January 31, 1975. (Project 3394-A2 - Ext. #1)
- i. \$27,363.00 from Department of Health, Education, and Welfare, Public Health Service, National Institutes of Health, Division of Research Resources, Bethesda, Maryland, for General Research Support Grant, under the direction of College of Veterinary Medicine, for period January 1, 1974 through December 31, 1974. (Project 2776-A5 - Ext. #5)
- j. \$27,096.00 from Department of Health, Education, and Welfare, Public Health Service, National Institutes of Health, Division of Research Resources, Bethesda, Maryland, for General Research Support Grant, under the direction of College of Veterinary Medicine, for period January 1, 1973 through December 31, 1974. (Project 2776-A4 - Sup. #S1)
- k. \$25,000.00 from Department of the Air Force, Rome Air Development Center, Griffiss Air Force Base, New York, for Atmospheric Effects on Space Object Imagery, under the direction of Department of Electrical Engineering, for period January 14, 1974 through October 14, 1974. (Project 3862-A1 - New)
- l. \$22,946.00 from Department of Health, Education, and Welfare, Public Health Service, National Institutes of Health, National Institute of General Medical Sciences, Bethesda, Maryland, for a Stereospecific Functionalization of Aromatic Amines, under the direction of Department of Chemistry, for period March 1, 1974 through February 28, 1975. (Project 3878-A1 - New)

III. REPORT OF RESEARCH CONTRACTS, GRANTS, GIFTS, AND AGREEMENTS  
(continued)

B. The Ohio State University Research Foundation (continued)

1. Federal Research Contracts/Grants (continued)

- m. \$17,280.00 from Environmental Protection Agency, National Environmental Research Center, Research Triangle Park, North Carolina, for Mechanisms of Photochemically Initiated Oxidations, under the direction of Department of Electrical Engineering, for period January 1, 1974 through December 31, 1974. (Project 1220-N1 - Ext. #9)
- n. \$16,240.00 from Department of Health, Education, and Welfare, Public Health Service, National Institutes of Health, National Institute of General Medical Sciences, Bethesda, Maryland, for Synthesis of B-Glycosyl Nucleotides, under the direction of Department of Biochemistry, for period February 1, 1974 through January 31, 1975. (Project 3876-A1 - New)
- o. \$15,375.00 from U. S. Civil Service Commission, Washington, D. C., for Course Materials, under the direction of College of Administrative Science, Division of Continuing Education, for period July 1, 1973 through June 30, 1974. (Project 3808-F1 - New)
- p. \$15,000.00 from National Aeronautics and Space Administration, Washington, D. C., for GEOP--Geodesy/Solid-Earth and Ocean Physics Research Conferences, under the direction of Department of Geodetic Science, for period February 22, 1972 through December 31, 1974. (Project 3511-A1 - Mod. #4)
- q. \$10,175.00 from Department of the Air Force, Office of Scientific Research, Arlington, Virginia, for Transport Phenomena in Highly Ionized Shock Heated Gases, under the direction of Department of Aeronautical and Astronautical Engineering, for period March 15, 1974 through September 14, 1974. (Project 3881-A1 - New)
- r. \$7,500.00 from Department of Health, Education, and Welfare, Public Health Service, National Institutes of Health, National Institute of Dental Research, Bethesda, Maryland, for Effect of Periodontopathies on Periodontal Mechanics, under the direction of Department of Physiology, for period February 1, 1974 through January 31, 1975. (Project 3392-A3 - Ext. #2)
- s. \$5,000.00 from Department of the Air Force, Air Force Systems Command, 4950th Test Wing, Wright Patterson Air Force Base, Ohio, for Permanent and Temporary Shifts in Hearing Threshold Produced by Exposure to Air Force Noise, under the direction of Department of Otolaryngology, for period March 1, 1974 through December 15, 1976. (Project 3873-A1 - New)

April 5, 1974 meeting, Board of Trustees

III. REPORT OF RESEARCH CONTRACTS, GRANTS, GIFTS, AND AGREEMENTS  
(continued)

B. The Ohio State University Research Foundation (continued)

1. Federal Research Contracts/Grants (continued)

- t. \$3,014.00 from Department of Health, Education, and Welfare, Public Health Service, National Institutes of Health, National Heart and Lung Institute, Bethesda, Maryland, for Blood PO<sub>2</sub> - Artery QO<sub>2</sub> Relationship and Atherosclerosis, under the direction of Department of Physiology, for period January 1, 1973 through March 31, 1974. (Project 1800-J - Sup. #1)
- u. \$2,400.00 from National Science Foundation, Washington, D. C., for Productivity of Tundra Lichens in the Prudhoe Bay Region: Physiological Ecology of Arctic Bryophytes, under the direction of Institute of Polar Studies, for period April 1, 1972 through March 31, 1975. (Project 3462-A1 - Ltr. Dtd. 1/21/74)
- v. \$1,998.00 from U. S. Department of Agriculture, Animal and Plant Health Inspection Service, Scientific and Technical Services, Washington, D. C., for The Statistical Evaluation of Age Determinants in Calves Used for Meat Production, under the direction of Department of Veterinary Preventive Medicine, for the period February 1, 1974 through August 31, 1974. (Project 3880-A1 - New)

TOTAL - Federal Research Contracts/Grants \$739,379.00

2. Industrial, Subcontracts/Grants, and Other  
Non-Federal Research Contracts/Grants

- a. \$80,549.00 from The John A. Hartford Foundation, Inc., New York, New York, for The Pharmacologic Control of Portal Hypertension, under the direction of Department of Surgery, for period February 1, 1974 through January 31, 1975. (Project 3386-A3 - Dtd. 1/7/74)
- b. \$8,500.00 from The Ohio Program in the Humanities, Columbus, Ohio, for A Videotape Concerning Rape, under the direction of OSU Libraries, for period January 1, 1974 through May 31, 1974. (Project 3879-A1 - New)
- c. \$6,282.00 from University of Rochester, Rochester, New York, for Statistical Theory and Applications: Sequential, Nonparametric, and Ranking Procedures, under the direction of Department of Statistics, for period March 1, 1974 through February 28, 1975. (Project 3877-A1 - New)
- d. \$500.00 from Illuminating Engineering Research Institute, New York, New York, for Studies of the Illumination Requirements for Roadway Visual Tasks, under the direction of Institute for Research in Vision, for period July 1, 1973 through June 30, 1974. (Project 872 - Ltr. Dtd. 12/13/74)

TOTAL - Industrial, Subcontracts/Grants and Other  
Non-Federal Research Contracts/Grants \$95,831.00

April 5, 1974 meeting, Board of Trustees

III. REPORT OF RESEARCH CONTRACTS, GRANTS, GIFTS, AND AGREEMENTS

(continued)

C. The Engineering Experiment Station

1. Industrial and Other Research Contract

- a. \$14,833.00 from V. Mueller, Chicago, Illinois, for Comparative Study of Natural and Prosthetic Knee Joint Mechanics, under the direction of Department of Engineering Mechanics, for period February 7, 1974 through November 6, 1974. (EES 476)

D. The Ohio State University Development Fund

1. Gifts of \$5,000 or More

- a. \$29,794.41 from The Associates of Medicine, Columbus, Ohio, to continue their support of the Department of Medicine General Fund.
- b. \$18,000.00 from The Upjohn Company, Kalamazoo, Michigan, for infectious disease research in the College of Medicine.
- c. \$10,000.00 from the Estate of Oline G. Hyman, Columbus, Ohio, for the Department of Ophthalmology for Operation Eye Research Fund.
- d. \$10,000.00 from Dr. John D. Kraus, Delaware, Ohio, for support of The Ohio State University Radio Observatory and its programs, specifically the Radio Telescope Research Fund.
- e. \$10,000.00 from Noba, Inc., Tiffin, Ohio, for their research fund in the Department of Dairy Science.
- f. \$8,400.00 from American Foundation for Pharmaceutical Education, Washington, D. C., for their fellowship fund.
- g. \$7,400.00 from the Trust Under the Will of Anna Roessler, Columbus, Ohio, for continuing support of research scholarships for students enrolled in the College of Medicine.
- h. \$6,129.38 from Dr. Lowry W. Harding, Columbus, Ohio, for scholarships for students enrolled in the College of Education who are majoring in elementary education.
- i. \$5,750.00 from Hoffmann-LaRoche, Inc., Nutley, New Jersey, for infectious disease research in the College of Medicine.
- j. \$5,000.00 from The American Prosthodontic Society, Chicago, Illinois, to support the continuing Post Graduate Education Program in the specialties of Prosthodontics in the College of Dentistry.



III. REPORT OF RESEARCH CONTRACTS, GRANTS, GIFTS, AND AGREEMENTS  
(continued)

D. The Ohio State University Development Fund (continued)

2. Establishment of Named Funds

- a. \$46,197.50 from the Estate of Beatrice M. Miller for the establishment of the Beatrice M. Miller Memorial Fund.

Beatrice M. Miller Memorial Fund

The Beatrice M. Miller Memorial Fund was established April 5, 1974, by the Board of Trustees of The Ohio State University with a bequest from the late Beatrice M. Miller, B.S. Edu. '28, M.A. '32, formerly of Warren, Ohio, to The Ohio State University through The Ohio State University Development Fund.

All gifts are to be invested in the University's Permanent Endowment Fund, under the rules and regulations adopted by the Board of Trustees of The Ohio State University, with the right to invest and reinvest as occasion dictates.

The annual income is to be used for the sole purpose of pursuing a cure for cancer through The Ohio State University Cancer Research Center. The principal may be invaded to the extent of part or all of it for uses as indicated above. Disbursements are to be made upon the recommendation of the Provost of The Ohio State University.

Should The Ohio State University Cancer Research Center cease to exist through any reorganization of the University, then the income may be used by the Board of Trustees, with preference being given to the recommendations of the Provost of the University or the appropriate administrative official who is then directly responsible for cancer research.

- b. \$6,000.00 from The American Prosthodontic Society for the establishment of The Victor L. Steffel American Prosthodontic Society Fund.

The Victor L. Steffel American Prosthodontic Society Fund

The Victor L. Steffel American Prosthodontic Society Fund was established April 5, 1974, by the Board of Trustees of The Ohio State University with a gift from The American Prosthodontic Society to The Ohio State University College of Dentistry through The Ohio State University Development Fund to honor Professor Emeritus Victor L. Steffel, (D. D. S. '26), Columbus, Ohio, for his many years of service as Secretary and Executive Director of The American Prosthodontic Society.

III. REPORT OF RESEARCH CONTRACTS, GRANTS, GIFTS, AND AGREEMENTS  
(continued)

D. The Ohio State University Development Fund (continued)

2. Establishment of Named Funds (continued)

b. The Victor L. Steffel American Prosthodontic Society Fund (continued)

All gifts are to be invested in the University's Permanent Endowment Fund, under the rules and regulations adopted by the Board of Trustees of The Ohio State University with the right to invest and reinvest as occasion dictates.

The annual income is to be used to aid the continuing Post Graduate Education Program in the specialties of Prosthodontics in the College of Dentistry. The funds are to be used upon the recommendation of the Chairman of this Division and Dean of the College of Dentistry.

Should the Post Graduate Education Program in Prosthodontics or the College of Dentistry cease to exist through any reorganization of the University, then the income may be used by the Board of Trustees, with preference being given to the recommendations of the appropriate administrative official of the University who is then directly responsible for the instruction of dentistry.

c. \$2,700.00 from friends of Sol D. Shaman for the establishment of The Sol D. Shaman Memorial Fund.

The Sol D. Shaman Memorial Fund

The Sol D. Shaman Memorial Fund was established April 5, 1974, by the Board of Trustees of The Ohio State University with a gift to The Ohio State University Development Fund from friends of the late Sol D. Shaman, B.S. Ed. '30, Columbus, Ohio.

All gifts are to be invested in the University's Permanent Endowment Fund, under the rules and regulations adopted by the Board of Trustees of The Ohio State University, with the right to invest and reinvest as occasion dictates.

The annual income is to be used by the College of Medicine for cancer research. If the need for cancer research diminishes, or ceases to exist, so as to leave unused funds, then this bequest may be used in other areas of medical research closely allied or related to cancer.

III. REPORT OF RESEARCH CONTRACTS, GRANTS, GIFTS, AND AGREEMENTS  
(continued)

D. The Ohio State University Development Fund (continued)

2. Establishment of Named Funds (continued)

- d. \$2,050.00 from the family and friends of John King Sherman and Gussie Greener Sherman and a gift from Uniroyal, Inc., for the establishment of The John King and Gussie Greener Sherman Class of 1901 Scholarship Fund.

The John King and Gussie Greener Sherman  
Class of 1901 Scholarship Fund

The John King and Gussie Greener Sherman Class of 1901 Scholarship Fund was established April 5, 1974, by the Board of Trustees of The Ohio State University, with gifts to The Ohio State University Development Fund from the family and friends of John King Sherman, B. C. E. '01, late of Fort Wayne, Indiana, and Gussie Greener Sherman (Mrs. John K.), B. A. '01, Fort Wayne, and a gift from Uniroyal, Inc.

All gifts are to be invested in the University's Permanent Endowment Fund, under the rules and regulations adopted by the Board of Trustees of The Ohio State University, with the right to invest and reinvest as occasion dictates.

The annual income is to be used for scholarships to students with B or better grade averages, who are enrolled in the College of Engineering or the College of Education, with preference being given to those students majoring in Civil Engineering or Special Education - Hard of Hearing. Selection of these students is to be made upon the recommendations of the University Scholarship Committee.

Should the need for these scholarships cease to exist or so diminish as to provide unused income, then the income may be used for any purpose whatsoever as determined by the Board of Trustees, with preference being given to recommendations from the appropriate administrative official of the University who is then directly responsible for scholarships.

- e. \$1,970.00 from the family and friends of Hope Strong for the establishment of the Hope Strong Memorial Fund.

Hope Strong Memorial Fund

The Hope Strong Memorial Fund was established April 5, 1974, by the Board of Trustees of The Ohio State University with gifts through

III. REPORT OF RESEARCH CONTRACTS, GRANTS, GIFTS, AND AGREEMENTS  
(continued)

D. The Ohio State University Development Fund (continued)

2. Establishment of Named Funds (continued)

e. Hope Strong Memorial Fund (continued)

The Ohio State University Development Fund from the family and friends of Hope Strong (Mrs. James W. ), late of Lima, Ohio.

All gifts are to be invested in the University's Permanent Endowment Fund, under the rules and regulations adopted by the Board of Trustees of The Ohio State University, with the right to invest and reinvest as occasion dictates.

The annual income is to be used to provide scholarship award(s) and books for worthy students of journalism (and competitive trophies, when applicable), who are enrolled in the Lima Regional Campus and have attended the Lima Campus for at least two quarters by the end of the Winter Quarter in the year the award(s) is/are made. No funds shall be paid in cash to students to accomplish either of the above purposes, but shall be expended directly for the purchase of books or in payment of tuition.

Selection of the recipient(s) is to be made upon the recommendation of the Director of the Lima Regional Campus and the University Scholarship Committee.

Distribution of all income shall be made at least every two years. The principal is not to be invaded.

Should the need for the award(s) and books cease to exist or so diminish as to provide unused income, then the income may be used for any purpose whatsoever as determined by the Board of Trustees, with preference being given to recommendations from the Director of the Lima Regional Campus.

\*

\*

\*

IV. BUSINESS AND ADMINISTRATION

A. Architect or Engineer

1. Lima Campus, Phase IV

President Enarson recommended that the architectural firm of Barnes, Neiswander and Associates, Cleveland, Ohio, be employed to provide complete architectural and engineering services for this project including preliminary plans, basic drawings, working drawings, specifications, estimate of cost, architectural rendering, necessary bidding documents, and supervision of construction of Phase IV - Lima Campus of The Ohio State University.

April 5, 1974 meeting, Board of Trustees

IV. BUSINESS AND ADMINISTRATION (continued)

A. Architect or Engineer (continued)

1. Lima Campus, Phase IV (continued)

The fee for this service will be negotiated between the architectural firm and the Division of Public Works. The total estimated project cost is \$3,725,000.

Funds for this service have been provided from H. B. 985, Item 315-083 (Lima Branch, Ohio State University, in cooperation with the Lima Technical College).

Upon motion of Mr. Harrod, seconded by Mr. Safford, the above recommendation was approved by unanimous roll call vote.

B. Plans and Specifications

At the request of the Vice President for Business and Administration, President Enarson recommended that the plans and specifications, bills of materials, and estimates of cost for the following projects be approved by the Board of Trustees.

1. Jackson County Area Extension Center

This center will be located in Jackson County, Ohio, and will provide agricultural extension services for nine counties in Southern and Southeastern Ohio.

Funds are budgeted in H. B. 985, Item 315-086 (Jackson County Area Extension Center).

2. Physical Education Building--Improvements (Phase I, Floor)

This project will make areas safer and more convenient for various physical activities, improve working environment for health, physical education and recreational personnel, and reduce future maintenance of heavily used facilities.

Funds are budgeted in H. B. 985 (Utilities and Renovation).

3. Vivian Hall Partial Remodeling

This project will provide for the improvements of certain laboratories, classrooms, and offices for the Department of Food Science and Nutrition.

Funds are budgeted in H. B. 985 (Utilities and Renovation).

April 5, 1974 meeting, Board of Trustees

IV. BUSINESS AND ADMINISTRATION (continued)

B. Plans and Specifications (continued)

4. Watts Hall--Masonry Repair

This project will provide relief to stresses occurring in the masonry walls and the first floor stone surround. It will also provide for the repair of cracks, broken stone, and spot pointing as a result of these stresses.

Funds are budgeted in Budget Account 125064 (Contract Repair).

Upon motion of Mr. Gushman, seconded by Mr. Harrod, the above recommendations were approved by unanimous roll call vote, and the Secretary was authorized and directed to sign the plans and specifications for the above projects for and on behalf of the Board of Trustees. The Vice President for Business and Administration was directed to proceed with a request for bids in the normal University manner, and if satisfactory bids are received to proceed with the award of contracts. All action regarding this matter will be reported to the Board of Trustees at a later meeting.

C. Report of Award of Contracts

In accordance with authorization provided by the Board of Trustees, bids were taken on the projects listed below and the contracts were recommended for award. The action reported to the Board was as follows:

1. Lord Hall, North Wing--Repair of Masonry Parapet Walls

	<u>Low Bid</u>	<u>Est. of Cost</u>
<u>General Contract</u> (3 bids received 3-4-74, Rebid) General Maintenance & Engineering (Columbus)	\$ 42,988.00	\$ 47,823.00

Funds for this project have been provided in Budget Account 125064 (Contract Repair).

2. Law Building Library--Improvements

	<u>Low Bid</u>	<u>Est. of Cost</u>
<u>General Contract</u> (3 bids received 3-6-74) Ed Ross Construction Company (Westerville, Ohio)	\$ 8,975.00*	\$ 5,762.00

\*Bids received were above the estimate of cost, but it is believed that better bids could not be obtained by readvertising.

April 5, 1974 meeting, Board of Trustees

IV. BUSINESS AND ADMINISTRATION (continued)

C. Report of Award of Contracts (continued)

2. Law Building Library--Improvements (continued)

	<u>Low Bid</u>	<u>Est. of Cost</u>
<u>Electric Contract</u> (5 bids received 3-6-74) Electric Power Equipment Co. (Columbus)	\$ 13,666.00*	\$ 12,238.00
<u>Total All Contracts</u>	<u>\$ 22,641.00*</u>	<u>\$ 18,000.00</u>

\*Bids received were above the estimate of cost, but it is believed that better bids could not be obtained by readvertising.

Funds for this project have been provided in H. B. 985, Item 315-074 (Utilities and Renovation).

3. Upham Hall--Air Conditioning and Electrical Improvements

	<u>Low Bid</u>	<u>Est. of Cost</u>
<u>Air Conditioning Contract</u> (6 bids received 2-20-74) Mechanical Specialties (Columbus)		
Base bid	\$229,000.00	\$267,362.00
Alt. H-1 Self-contained room air conditioner	- 25,000.00	No Change
Alt. H-2 Installation of self-contained air conditioner in Room 1 and Room 5	+ 5,500.00	+ 6,650.00
Total Contract	<u>\$209,500.00</u>	<u>\$274,012.00</u>
<u>Electric Contract</u> (4 bids received 3-8-74, Rebid) Reco Electric (Columbus)		
Base bid	\$190,947.00	\$225,000.00
Alt. E-1 Electric work on Alt. H-2	+ 1,180.00	+ 3,000.00
Alt. E-2 Electric work for additional panelboard	+ 6,092.00	+ 12,000.00
Total Contract	<u>\$198,219.00</u>	<u>\$240,000.00</u>
<u>Total All Contracts</u>	<u>\$407,719.00</u>	<u>\$514,012.00</u>

Funds for this project have been provided from Budget Account 801267 (Hospital Capital Reserve).

April 5, 1974 meeting, Board of Trustees

IV. BUSINESS AND ADMINISTRATION (continued)

C. Report of Award of Contracts (continued)

4. Fawcett Center for Tomorrow--Roadway Improvements

	<u>Low Bid</u>	<u>Est. of Cost</u>
<u>General Contract</u> (3 bids received 3-26-74)		
Legg & Davis, Inc. (Columbus)		
Base bid	\$ 17,552.00	\$ 20,116.00
Alt. G-1 Section of roadway south of new intersection	+ 9,291.00	+ 6,129.00
Alt. G-2 Construction of temporary bypass road	+ 4,390.00	+ 4,227.00
<u>Total Contract</u>	<u>\$ 31,233.00</u>	<u>\$ 30,472.00*</u>

\*It was necessary to delete Alternate 3 because the total would exceed project funds authorized by the Board on December 7, 1973.

Funds for this project have been provided from Budget Account 125064 (Contract Repair) and Chemical Abstracts.

Upon motion of Mr. Gushman, seconded by Mr. Safford, the above award of contracts and expenditure of funds were approved and the action of the Vice President for Business and Administration was ratified by unanimous roll call vote.

D. Other

1. WTVN--Broadcasting Tower Lease

At the request of the Telecommunications Center and with the support of the Office of Educational Services, it was recommended that the University lease 4.728 acres of land at 2470 North Star Road to the Taft Broadcasting Company to construct a 600-foot broadcasting tower, buildings, and other related structures to properly broadcast radio and television programs.

This facility will support the transmission of a 50,000 watt signal of WOSU-FM and the signal for WTVN-Channel 6. Transmission from a single tower will prevent interference between these signals.

The lease agreement is for a term of 15 years with renewal provisions for two five-year periods. This proposed lease has been reviewed by legal counsel.



April 5, 1974 meeting, Board of Trustees

IV. BUSINESS AND ADMINISTRATION (continued)

D. Other (continued)

1. WTVN--Broadcasting Tower Lease (continued)

President Enarson recommended that the Board of Trustees approve the form of lease (filed with the official records of the Board of Trustees) and authorize the Division of Public Works to execute the same with the Taft Broadcasting Company.

Upon motion of Mr. Safford, seconded by Mrs. James, the Board of Trustees approved the foregoing recommendations by unanimous roll call vote.

E. Report of Controlling Board Actions Pertaining to The Ohio State University

19 Approves the release of \$12,000 from H. B. 985, Item 315-086 (Jackson County Area Extension Center) for planning funds, soil testing, site survey for the project known as "Jackson County Area Extension Center."

20 Approves the release of \$15,000 from H. B. 985, Item 315-087 (Mahoning County Area Extension Center) for planning funds, soil testing, site survey for the project known as "Mahoning County Area Extension Center."

\*

\*

\*

V. REPORTS

A. Report of Auditor of State to The Ohio State University

The Annual Report of the Auditor of State for the fiscal year 1971-1972 has been received and reviewed by the appropriate officers of the University.

President Enarson recommended that the Annual Report of the Auditor of State for the fiscal year 1971-1972 be accepted and filed with the official documents of the University.

Upon motion of Mr. Gushman, seconded by Mr. Harrod, the Board of Trustees approved the above recommendation by unanimous voice vote.

B. Report on the University's Investment Portfolio

The report dated March 29, 1974, as submitted to the Finance Committee of the Board of Trustees by Mr. Ernest W. Leggett pertaining to the University's Investment Portfolio, was received and ordered to be filed with the official records of the Board of Trustees.

\*

\*

\*

April 5, 1974 meeting, Board of Trustees

President Enarson called on Vice President Mount who presented enrollment and budgetary information on the operation of the Regional Campuses. Vice President Mount then introduced the Directors and representatives of the Advisory Committees of the Regional Campuses.

- o -

Vice President Mount called on Dr. James Biddle, Director of the Lima Campus, who spoke on the accomplishments of the Lima Campus.

- o -

Mr. Wayne Bahr, a Vietnam veteran, representing the students of the Lima Regional Campus, spoke on the opportunity of attending college locally.

- o -

Dr. David Hagar made a presentation on behalf of the faculty of the Lima Campus on the advantages of a small campus. He also discussed the opportunities available to the faculty for working with community groups.

- o -

Harriett Pughsley Williams, a graduate of The Ohio State University, who began her college career on the Lima Regional Campus expressed her appreciation for the availability of the educational opportunity at the Lima Campus. She stated that she would not have been able to go beyond high school had it not been that she could live at home and with scholarship assistance complete the first two years of college before transferring to the Columbus Campus. She is now a member of the faculty of the Lima Senior High School.

- o -

Mr. Charles H. Cook, Chairman of the Lima Campus Advisory Committee, whose association with the University encompasses 58 years, reviewed some of the accomplishments of the Lima Campus from the time classes first met in the Lima Senior High School until funds were raised in the community to get the first building constructed. He cited the financial contribution of John Galvin and the work of former Senator Ross Pepple as examples of leadership in the development of the Lima Campus.

- o -

At the conclusion of this program, President Enarson presented Mr. Cook with a citation for his many years of devoted service to The Ohio State University.

- o -

April 5, 1974 meeting, Board of Trustees

Thereupon the Board adjourned to meet Friday, May 3, 1974, at The Ohio State University Fawcett Center for Tomorrow, Columbus, Ohio, at 1:30 p.m.

Attest:

\_\_\_\_\_  
Edward Q. Moulton  
Secretary

\_\_\_\_\_  
Don M. Hilliker  
Chairman

Page 460 Blank

THE OHIO STATE UNIVERSITY  
OFFICIAL PROCEEDINGS OF THE  
ONE THOUSAND AND NINETY-SIXTH MEETING  
OF THE BOARD OF TRUSTEES

Columbus, Ohio, May 3, 1974

The Board of Trustees met at its regular monthly meeting on Friday, May 3, 1974, at The Ohio State University Fawcett Center for Tomorrow, Columbus, Ohio, pursuant to adjournment.

Present: Don M. Hilliker, Chairman, William C. Safford, John H. Dunlap, M. Merle Harrod, John L. Gushman, Howard D. Sirak, and Patricia D. James.

\*

\*

\*

Minutes of the last meeting were approved.

\*

\*

\*

May 3, 1974 meeting, Board of Trustees

ELECTION OF OFFICERS

The Chairman, Mr. Hilliker, convened the meeting of the Board of Trustees of The Ohio State University first for the purpose of electing officers for the coming year.

Dr. Sirak moved, and Mr. Gushman seconded the motion, that the following persons be nominated as officers of the Board of Trustees:

Chairman	William C. Safford
Vice Chairman	John H. Dunlap
Secretary	Edward Q. Moulton
Treasurer	Ernest W. Leggett

The Board approved, with Mr. Safford abstaining, the above slate by roll call vote.

Mr. Hilliker congratulated the new officers.

Mr. Safford thanked Mr. Hilliker and pledged that the current slate of officers would attempt to carry on in the same manner as the officers in the past.

Mr. Hilliker said, "Thank you, Bill. You know our President has an expression that I've always thought well of. When something goes well with him, he says he feels comfortable (I assume if something doesn't go well, he feels uncomfortable) and I can truthfully say that with Bill Safford and Jack Dunlap, I feel comfortable and I know I speak for the Board."

The Board of Trustees recessed and the Board of Control meeting was convened.

\* \* \*  
\* \*  
\*

The meeting of the Board of Trustees was reconvened following the meeting of the Board of Control.

MR. HILLIKER'S STATEMENT

Mr. Hilliker made the following statement:

Speaking as Chairman of this Board I would like to make about an hour's speech. Seriously, it's been an easy year for me, I guess because it's been a quiet year. I want to give special thanks to the gentleman on my right [President Enarson] who has been a great help. He has a very capable Staff and its members have been most cooperative. I want to thank the gentleman on my left [Secretary Moulton] because he has a very effective under-the-table jab when I get out of line, and I say, Bill, to you that Ned Moulton will keep you on the straight and narrow. He's essential.

Mr. Safford: "I need that."

May 3, 1974 meeting, Board of Trustees

MR. HILLIKER'S STATEMENT (continued)

I'd like to thank Mrs. Smith for such a splendid job of recording the minutes of these meetings and getting me to sign on the right line.

This marks my eighth year of service on this Board, and for seven of those years I read in the papers and I heard about all of the secret meetings that the Board of Trustees have had in smoke-filled rooms, all the decisions that were made and were 'cut and dried' when we got to this point. And I made up my mind that this year you would not hear about secret meetings for two reasons: (1) we didn't have any, and (2) the reason we didn't have any is because we worked through a system of committees which I felt would bring the members of the Board into a better working relationship with the administration and with faculty and with students. Now it's not easy for Board members like Pat James to get up at seven o'clock in the morning and drive down from Cleveland or Mr. Safford to drive from Cincinnati. Everybody is busy, and I want to express really and truly and sincerely my appreciation to all of you who have made the committee system work. I'd like to thank Jack Dunlap who chaired the OARDC Committee and Mr. Abercrombie and Mr. Safford who were members. I want to thank Jack Gushman, who chaired a particularly difficult committee responsibility, the Educational Affairs Committee, and did an outstanding job along with the other members Dr. Sirak, Mrs. James, and Jack Dunlap. I want to thank Merle Harrod for chairing the Buildings and Grounds Committee, and I can assure you that he asked some very searching questions in this connection; and he, in conjunction with Mr. Devenow and Mr. Gushman, has done a fine job. I want to thank Mr. Devenow, who unfortunately could not be here for chairing the Insurance Committee, along with Mrs. James and Dr. Sirak who were members of that committee. And finally I want to thank Mr. Safford for chairing the Finance Committee, along with its members Mr. Harrod and Mr. Dunlap, and Dr. Sirak, and I've got news for you--if you don't listen to this man when it comes to financial matters you're going to be in trouble.

I also want to say a word about Mr. Shocknessy, who is not at the meeting today and who I am told will not be here. This marks the end of the ninth year of Jim's association with this Board. Jim and I have not always agreed on every subject, and I think this is constructive. (I don't think there is anything worse than a rubber stamp.) I wanted to tell him that I forgave him all of his many sins with one exception, the 1935 Ohio State-Notre Dame game. Mr. Shocknessy, probably as much as any Board member faced the full gamut of problems that have and will continue to confront a large and complex university. I can recall when he came on this Board in 1965 the big issue, and it was a very emotional issue, was the speaker's rule on campus. It was getting a little bit out of bounds and there were about three Lantern extras a day, and as I recall, I believe it was largely due to Mr. Shocknessy that the issue was met head-on, a few heads were butted together, and it was resolved, and resolved correctly. Soon after that the Board was confronted with the possibility of building the new President's house. That was only good for two Lantern extras a day. But this

May 3, 1974 meeting, Board of Trustees

MR. HILLIKER'S STATEMENT (continued)

issue was resolved with Mr. Shocknessy's help. Of course, we all recall with little enthusiasm the campus disruptions in 1970, which I think was one of Ohio State's dark hours. I suppose some things came out of it that were good, but a lot of things that came out of it were not good. Hopefully, however, we all became more understanding of each other's problems, the lines of communication opened up to a greater degree, and we all learned to compromise more. I pray to the good Lord that this situation will never arise again where rocks and obscenities become a way of life on this campus, and I don't think they will. It was during Mr. Shocknessy's term as Chairman that this Board was faced with selecting a replacement for Dr. Fawcett. I don't have to tell you that that was handled effectively and expertly, the living proof sits to my right [President Enarson]. I'm sorry that Mr. Shocknessy is not here, however I want to say for the record, on behalf of this Board, and I know I speak for the entire University community, we all appreciate the many hours of his devotion to this University. He'll be missed. Mr. President, that concludes my hour's speech.

PRESIDENT ENARSON'S STATEMENT

President Enarson made the following statement:

It's been a joy to work with Don Hilliker and I know it's going to be an equal joy to work with Bill Safford. Mr. Hilliker doesn't scare easily--he doesn't move into frenzy and excitement when he reads of some new disaster in the morning issue of the Lantern. His motto has been, 'If Harold has a problem, he'll call.' And I think, Don, your secretary and mine can testify to the fact that there have been those calls. One of my frustrations, among many, is the difficulty in clarifying for the University community what the Trustees do and don't do and that they operate necessarily at a certain level of abstraction, at least the good ones do. They do not meddle in detail, but they do share a responsibility in the main for policy-making. In an attempt to kind of warm-up for today and this moment of transition, I tried to find a good definition of what Boards of Trustees do, and I discovered that the Ohio law was no help. Indeed, it was a positive discouragement to me, because it provides that the Trustees 'hold and administer' our dollars, 'supervise and control' our property, and 'elect and remove' the President. That's as far as I read. The former President of Harvard University, Nathan Pusey, didn't quite capture it when he used to say that the function of a member of the Board of the Harvard Corporation was to see that the University was properly staffed and that the bills were paid. And, indeed, my friend, Logan Wilson, the former President of the American Council on Education, missed it too when he said and I quote, 'The basic function of institutional trustees is commonly conceived as that of representing the best interests of the outside world intramurally, and of the academic community, in turn, to the larger community,' or, if you will,



May 3, 1974 meeting, Board of Trustees

PRESIDENT ENARSON'S STATEMENT (continued)

'to act as buffers against misconceived or improper influences.' Well, of course, the Board of Trustees is all of those things and more. It involves asking necessarily probing questions of the University administration, of offering sage advice particularly in the business area to professional educators that don't know the Dow Jones average, wouldn't know how to read it if they knew where to find it in the newspaper, and more often than not, offering a friendly shoulder to cry on. But I think, the dimension of this job that strikes me as most crucial is really in many ways that you gentlemen are, and must be, the conscience of the community as you look at this enterprise. I am sorry that Jim isn't here to hear me say this, but I think Mr. Shocknessy has a good, clear grasp of that particular, distinctive role.

MR. DUNLAP'S STATEMENT

Mr. Dunlap made the following statement:

Mr. Chairman, before Harold moves into his agenda, I'd just like to add, and I guess I'm the third oldest person with reference to seniority in this group now, that I think Don is a little modest. I think he's done a tremendous job, and we all know that he had some difficult problems. And I told his wife, who I'm sure is, as is mine, his severest critic, that I thought he had done one heck of a good job. He organized the present committee system, which has worked beautifully, and they say if you want to get a job done, give it to a busy man. Well, he's probably as busy or maybe the busiest in this group. And, I think he's done a terrific job, and I want that to go on the record, and I think we all feel that way about it.

And I would like to say a word about Jim. I didn't know him until I was appointed to the Board. And about ten minutes after the Governor called to appoint me, Jim called to congratulate me. We've had our ups and downs, but I think he's a very conscientious member of this Board, and I think he's done a terrific job on behalf of this Board. I have enjoyed working with him.

The above statement was duly seconded and passed by acclamation.

INTRODUCTION OF LEADERS OF THE STUDENT BODY

President Enarson introduced Doug Holmes, President of the Undergraduate Student Government, and Jim Parsons, President of the Council of Graduate Students.

\*

\*

\*

May 3, 1974 meeting, Board of Trustees

RESOLUTIONS IN MEMORIAM

President Enarson reported to the Board the deaths of Richard L. Canary, Instructor in the Department of English, and Wilbert Cathmore Ronan, Professor Emeritus in the School of Architecture. In accordance with the instructions of the Board of Trustees, copies of the following resolutions expressing on behalf of the University the sorrow and sympathy of the Board will be furnished the families of the deceased.

A. Richard L. Canary

The Board of Trustees of The Ohio State University expresses its sorrow at the death of Richard L. Canary, Instructor in the Department of English, on March 21, 1974.

Mr. Canary was born on April 11, 1910, in Bowling Green, Ohio. He attended the Bowling Green public schools and obtained a B.A. degree from Denison University in 1931. He was for a number of years a sales representative, first for Meredith Publishing Company and later for several tire companies, including B. F. Goodrich, Kelly-Springfield and Dunlop. During World War II he served for three years in the U. S. Navy, rising to the rank of Lieutenant Commander.

Mr. Canary resumed his education in 1963 at The Ohio State University, receiving both a B.S. Ed. and a M.A. in 1966. After two years of teaching at Groveport High School, he joined the teaching staff of the English Department of The Ohio State University where he continued until his death. He was a conscientious and dedicated teacher and colleague whose wide experience in the non-academic world stood him in good stead in the classroom and in the administrative duties he performed cheerfully and well.

On behalf of the University community, the Board of Trustees expresses to the wife and family of Mr. Canary its deepest sympathy. It was directed that this resolution be inscribed in the minutes of the Board of Trustees and that a copy be tendered to the family as a sincere expression of sympathy and respect.

B. Wilbert Cathmore Ronan

The Board of Trustees of The Ohio State University expresses its sorrow at the death on December 7, 1973, of Wilbert Cathmore Ronan, Professor Emeritus in the School of Architecture.

Born in Ottawa, Canada, Professor Ronan received the degree of C. E. in Architecture from The Ohio State University in 1910. In 1913 he earned a B.S. in Architecture from the University of Pennsylvania, earning a prize in the decorative arts, a parallel area of study which later became his lifelong avocation. He joined the faculty of the School of Architecture in 1913 and served as a member of the teaching faculty until his retirement in 1957. From 1945 to 1950 he served as Professor and Chairman of the School of Architecture. His principal areas of teaching were the history of architecture, architectural design, and the decorative arts. He authored or co-authored many books and articles on architectural drawing and

May 3, 1974 meeting, Board of Trustees

RESOLUTIONS IN MEMORIAM (continued)

B. Wilbert Cathmore Ronan (continued)

stained glass. In 1955 he was one of nine teachers in architectural education in the United States cited by the College of Fellows of the American Institute of Architects for his "effectiveness in teaching."

Professor Ronan was a scholar, possessed of splendid reading and writing skills in Greek, Latin, French, German, and Spanish. His personal studies took him to all parts of the United States and Europe. His knowledge and excellent personal collections of fine Oriental carpets and stained glass, together with his extensive collection of color slides, kept him in constant demand as a lecturer throughout Ohio. A practicing registered architect, he was responsible for the design of many notable buildings in central Ohio, including buildings on the campus of Kenyon College and at Kent State University. He was twice president of the Columbus Chapter of the American Institute of Architects. Upon his retirement, Professor Ronan was appointed a Whitney Visiting Professor in the Humanities, a program of awards sponsored by the John Hay Whitney Foundation.

On behalf of the University, the Board of Trustees expresses to his family its deepest sympathy and sense of understanding in its loss. It was directed that this resolution be inscribed upon the minutes of the Board of Trustees and that a copy be tendered to the family as a humble expression of the Board's heartfelt sympathy in its bereavement.

\*

\*

\*

President Enarson presented the following recommendations:

I. GENERAL RECOMMENDATIONS

A. Establishment of a Department of Art Education

Upon the recommendation of the College of The Arts, the College of Education, and the Council on Academic Affairs, the University Senate on April 9, 1974, approved departmental status for the Division of Art Education.

Presently the Division of Art Education offers programs leading to a Bachelor of Art Education, Master of Arts, and Doctor of Philosophy degrees. The Division is presently teaching over 1,300 credit hours each quarter, including Summer Quarter. Thus this Division meets all criteria to be an academic department under Rule 13.0501.

President Enarson recommended that a Department of Art Education be established effective July 1, 1974, in accordance with the University Senate's recommendation.

Upon motion of Mr. Safford, seconded by Mr. Harrod, the Board of Trustees approved the above recommendation by unanimous voice vote.

May 3, 1974 meeting, Board of Trustees

I. GENERAL RECOMMENDATIONS (continued)

B. Establishment of a Division of Hebrew Language and Literature

The University Senate at its meeting April 9, 1974, approved the establishment of a Division of Hebrew Language and Literature, effective July 1, 1974.

The Hebrew program at Ohio State is considered to be among the best undergraduate Hebrew programs in the United States, because of its academic content, its teaching staff, and the scholastic achievement of its students.

In the present academic year, 1973-1974, a new Designated Professorship of Hebrew was established. This Professorship was made possible by a grant of \$100,000.

Presently twenty-eight courses are being offered through this program. Approval of a Division of Hebrew Language and Literature does not preclude development in the future for some combination of Hebrew/Arabic/Islamic offerings. The criteria for the establishment of a Division have been met in the proposal.

President Enarson recommended that a Division of Hebrew Language and Literature be established as recommended by the University Senate.

Upon motion of Mr. Dunlap, seconded by Mrs. James, the Board of Trustees approved the recommendation by unanimous voice vote.

C. Rental Rates for Buckeye Village

At the March 1, 1974 meeting of the Board of Trustees, President Enarson recommended certain changes for Residence Hall Room and Board rates. A rate increase for Buckeye Village apartments was included in this proposal. Mr. William Goslee, representing an ad hoc group of Buckeye Village residents, spoke in opposition to the proposed rent increase as submitted by the Office of Residence and Dining Halls for the Buckeye Village apartments and presented a petition to this effect.

Chairman Hilliker requested that action on this proposal be deferred to a later meeting so that this request might be restudied.

Dr. Armitage, Vice President for Student Services, has now supplied additional information further justifying the rent increase based on cost figures for the operation of these housing units.

President Enarson recommended that the rates for Buckeye Village apartments be as follows, effective July 1, 1974:

May 3, 1974 meeting, Board of Trustees

I. GENERAL RECOMMENDATIONS (continued)

C. Rental Rates for Buckeye Village (continued)

	<u>Current</u>		<u>Proposed</u>	
	<u>Year</u>	<u>Month</u>	<u>Year</u>	<u>Month</u>
One Bedroom	\$1,128	\$ 94	\$1,188	\$ 99
Two Bedroom	1,428	119	1,500	125

Upon motion of Mr. Safford, seconded by Mr. Gushman, the Board of Trustees approved the foregoing recommendation by unanimous roll call vote.

D. Naming of Building

Upon the recommendation of the Vice President for Regional Campuses, and with the concurrence of the President's Staff, President Enarson recommended that University College Building No. 13, located at 1050 Carmack Road, be designated "West Hall" until such time as a suitable memorial name is selected.

The new facility will be occupied this spring and contains the administrative offices of University College including University College student academic advisors, laboratories, and classrooms for instruction for the Departments of Physics, Political Science, Theatre, and Geology as well as faculty offices and an auditorium with a seating capacity of 312.

This recommendation is in accordance with the Bylaws of the Board of Trustees.

Upon motion of Mr. Safford, seconded by Mr. Harrod, the Board of Trustees approved the foregoing recommendation by unanimous voice vote.

E. Quarterly Review of Current Funds Budget  
(Quarter Ended March 31, 1974)

The third quarter of the current fiscal year ending March 31 is presented to you for your consideration and approval. You will note from the accompanying income and budget statements that no significant change from the previous quarter has been experienced during this period. There have been some increases in the volume of activities conducted within the University. Also, greater income than anticipated is being realized from the endowment, grants and contracts, and private gifts. The decrease in the budget of the Dairy and Meats Laboratory reflects a phase-out of the Dairy Laboratory's commercial activities. The change in the Intercollegiate Athletics budget is attributable to a change in bookkeeping procedures.

BUDGETS FOR THE 1973-74 YEAR

	Budget Approved December 31, 1973	Revised Budget March 31, 1974	Difference
<b>Current General Unrestricted</b>			
Columbus Campus			
Personnel Services	\$102,478,000	\$102,478,000	\$ -0-
Operating and Equipment	22,558,000	22,558,000	-0-
All Other	5,475,000	5,475,000	-0-
Total Columbus Campus	<u>\$130,511,000</u>	<u>\$130,511,000</u>	<u>\$ -0-</u>
Regional Campuses			
Administration	\$ 116,000	\$ 116,000	\$ -0-
Lima Campus	1,430,000	1,430,000	-0-
Mansfield Campus	1,395,000	1,395,000	-0-
Marion Campus	874,000	874,000	-0-
Newark Campus	1,214,000	1,214,000	-0-
Agricultural Technical Institute	680,000	680,000	-0-
Total Regional Campuses	<u>\$ 5,709,000</u>	<u>\$ 5,709,000</u>	<u>\$ -0-</u>
Departmental Earnings	\$ 5,323,000	\$ 6,140,000	\$ 817,000
University Services	2,133,000	2,550,000	417,000
Research Foundation Administration	1,530,000	1,530,000	-0-
Total Unrestricted	<u>\$145,206,000</u>	<u>\$146,440,000</u>	<u>\$1,234,000</u>
<b>Current General Restricted</b>			
Endowments	\$ 1,250,000	\$ 1,400,000	\$ 150,000
Mershon Center	700,000	700,000	-0-
Federal Grants and Contracts	37,860,000	37,860,000	-0-
Ohio Grants and Contracts	2,200,000	2,600,000	400,000
Engineering Experiment Station	1,735,000	1,735,000	-0-
Development Fund	3,100,000	3,100,000	-0-
Other Private Gifts and Grants	1,834,000	2,034,000	200,000
Conference Accounts	1,200,000	1,200,000	-0-
Total Restricted	<u>\$ 49,879,000</u>	<u>\$ 50,629,000</u>	<u>\$ 750,000</u>
<b>Current General Auxiliaries</b>			
Cooperative Extension	\$ 12,317,000	\$ 12,317,000	\$ -0-
University Hospitals	46,721,000	46,721,000	-0-
Student Housing	13,924,000	13,924,000	-0-
Intercollegiate Athletics	5,500,000	6,000,000	500,000
University Bookstores	2,630,000	2,630,000	-0-
Student Unions	1,838,000	1,838,000	-0-
Parking Facilities	1,480,000	1,600,000	120,000
Fawcett Center	922,000	922,000	-0-
Facilities Services	1,974,000	2,100,000	126,000
Dairy and Meats Laboratories	2,076,000	1,700,000	(376,000)
University Airport	972,000	1,032,000	60,000
Other	509,000	550,000	41,000
Total Auxiliaries	<u>\$ 90,863,000</u>	<u>\$ 91,334,000</u>	<u>\$ 471,000</u>
Total Current General Funds	<u>\$285,948,000</u>	<u>\$288,403,000</u>	<u>\$2,455,000</u>

SOURCES OF INCOME FOR THE 1973-74 BUDGET

	Budget Approved December 31, 1973	Revised Budget March 31, 1974	Difference
<b>Current General Unrestricted</b>			
Columbus Campus			
Instructional Subsidy	\$ 73,482,000	\$ 73,482,000	\$ -0-
Student Fees	43,735,000	43,735,000	-0-
Earnings Operations	4,718,000	4,718,000	-0-
Temporary Investments	1,700,000	1,800,000	100,000
All Other	1,616,000	1,823,000	207,000
Total Columbus Campus	<u>\$125,251,000</u>	<u>\$125,558,000</u>	<u>\$ 307,000</u>
Regional Campuses			
Lima Campus	\$ 1,680,000	\$ 1,680,000	\$ -0-
Mansfield Campus	1,603,000	1,603,000	-0-
Marion Campus	961,000	961,000	-0-
Newark Campus	1,397,000	1,397,000	-0-
Agricultural Technical Institute	794,000	794,000	-0-
Total Regional Campuses	<u>\$ 6,435,000</u>	<u>\$ 6,435,000</u>	<u>-0-</u>
Departmental Earnings	\$ 5,419,000	\$ 5,940,000	\$ 521,000
University Services	2,144,000	2,550,000	406,000
Total Unrestricted	<u>\$139,249,000</u>	<u>\$140,483,000</u>	<u>\$1,234,000</u>
<b>Current General Restricted</b>			
Endowments	\$ 1,950,000	\$ 2,100,000	\$ 150,000
Federal Grants and Contracts	42,240,000	42,240,000	-0-
Ohio Grants and Contracts	2,200,000	2,600,000	400,000
Engineering Experiment Station	1,865,000	1,865,000	-0-
Development Fund	3,100,000	3,100,000	-0-
Other Private Gifts and Grants	1,850,000	2,050,000	200,000
Conference Accounts	1,200,000	1,200,000	-0-
Total Restricted	<u>\$ 54,405,000</u>	<u>\$ 55,155,000</u>	<u>\$ 750,000</u>
<b>Current General Auxiliaries</b>			
Cooperative Extension	\$ 12,317,000	\$ 12,317,000	\$ -0-
University Hospitals	48,515,000	48,515,000	-0-
Student Housing	13,924,000	13,924,000	-0-
Intercollegiate Athletics	5,500,000	6,000,000	500,000
University Bookstores	2,630,000	2,630,000	-0-
Student Unions	1,439,000	1,439,000	-0-
Parking Facilities	1,480,000	1,600,000	120,000
Fawcett Center	922,000	922,000	-0-
Facilities Services	1,974,000	2,100,000	126,000
Dairy and Meats Laboratories	2,076,000	1,700,000	(376,000)
University Airport	1,008,000	1,068,000	60,000
Other	509,000	550,000	41,000
Total Auxiliaries	<u>\$ 92,294,000</u>	<u>\$ 92,765,000</u>	<u>\$ 471,000</u>
Total Current General Funds	<u>\$285,948,000</u>	<u>\$288,403,000</u>	<u>\$2,455,000</u>

May 3, 1974 meeting, Board of Trustees

I. GENERAL RECOMMENDATIONS (continued)

E. Quarterly Review of Current Funds Budget  
(Quarter Ended March 31, 1974) (continued)

President Enarson recommended that this report as submitted be approved.

Upon motion of Mr. Safford, seconded by Mr. Gushman, the Board of Trustees approved the foregoing recommendation by unanimous roll call vote.

\*

\*

\*

II. PERSONNEL ACTIONS

Personnel actions since the April 5, 1974 meeting of the Board, as recorded in the official "Salary Roll" of the University, include the following Appointment, Resignation, Leaves of Absence Without Salary, and Emeritus Titles:

A. Appointment

Thomas N. Taylor, Professor and Chairman, Department of Botany, effective July 1, 1974, at a salary of \$29,088 per annum.

B. Resignation

Franklin P. Kilpatrick has resigned his position as Dean of the College of Social and Behavioral Sciences, effective September 30, 1974. Dr. Kilpatrick will continue as a Professor in the Department of Psychology.

C. Leaves of Absence Without Salary

Roger D. Blackwell, Professor, Academic Faculty of Marketing, effective April 1, 1974 through June 30, 1974, to be a Visiting Professor of Marketing at Stanford University.

Bibb Latane, Professor, Department of Psychology, effective October 1, 1974 through March 31, 1975, to accept a Guggenheim Fellowship Award.

Robert E. Notari, Professor, College of Pharmacy, effective September 15, 1974 through July 31, 1975, to lecture and do research in biopharmaceutics in the Department of Pharmacy at the University of Aston, Birmingham, England.

Michael D. Rose, Professor, College of Law, effective October 1, 1974 through March 31, 1975, to be a Visiting Professor at the University of Minnesota Law School.



May 3, 1974 meeting, Board of Trustees

II. PERSONNEL ACTIONS (continued)

C. Leaves of Absence Without Salary (continued)

William M. Boorstein, Associate Professor, Department of Metallurgical Engineering, effective April 1, 1974 through September 30, 1974, to gain experience in industry as a metallurgical engineer.

Ruth Currier, Associate Professor, Department of Dance, effective October 1, 1974 through September 30, 1975, to continue as Director of Jose Limon Company.

Thomas W. Dunfee, Associate Professor, Academic Faculty of Finance, effective October 1, 1974 through September 30, 1975, to be a Visiting Associate Professor in the Department of Business Law at the University of Pennsylvania.

Bertram S. Katz, Associate Professor, Division of Art, effective October 1, 1974 through September 30, 1975, to direct the arts program of the Great Lakes Colleges Association in New York.

David R. Dowty, Assistant Professor, Department of Linguistics, effective October 1, 1974 through September 30, 1975, to accept an American Council of Learned Societies Study Fellowship.

Howard W. Schuth, Assistant Professor, Department of Photography and Cinema, effective July 1, 1974 through September 30, 1974, to continue teaching at Louisiana State University.

Martha E. Sucheston, Assistant Professor, Department of Anatomy, effective July 1, 1974 through March 31, 1975, for personal reasons.

David G. Tarr, Assistant Professor, Department of Economics, effective October 1, 1974 through September 30, 1975, to accept a position with the Bureau of Industry Analysis, Federal Trade Commission, Washington, D. C.

Eugene J. Watts, Assistant Professor, Department of History, effective October 1, 1974 through September 30, 1975, to accept an American Council of Learned Societies Fellowship.

Marilyn V. Adderley, Instructor, School of Nursing, effective August 1, 1974 through August 31, 1974, to continue on the staff of ECCO Family Health Center.

May 3, 1974 meeting, Board of Trustees

II. PERSONNEL ACTIONS (continued)

C. Leaves of Absence Without Salary (continued)

Gale Marie Baumgardner, Instructor, Cooperative Extension Service, effective July 1, 1974 through December 31, 1974, to participate in a program of professional improvement at Kansas State University of Agriculture and Applied Science, Manhattan, Kansas.

Geraldine I. Olson, Instructor, Cooperative Extension Service, effective July 1, 1974 through September 30, 1974, to accept an Institute of Life Insurance Fellowship through the American Home Economics Association, to complete requirements for the Ph. D. degree.

Elmo S. Saunders, Instructor, University Libraries, effective July 1, 1974 through September 30, 1974, to engage in research in Africa.

D. Emeritus Titles

Naomi M. Allenbaugh, School of Health, Physical Education, and Recreation, with the title Professor Emeritus, effective July 1, 1974.

Joseph D. Blickle, Cooperative Extension Service, with the title Professor Emeritus, effective July 1, 1974.

Robert P. Bullock, Department of Sociology, with the title Professor Emeritus, effective July 1, 1974.

Wesley P. Cushman, School of Health, Physical Education, and Recreation, with the title Professor Emeritus, effective July 1, 1974.

John O. Everhart, Department of Ceramic Engineering, with the title Professor Emeritus, effective July 1, 1974.

J. Marshall Hanna, Academic Faculty of Vocational-Technical Education, with the title Professor Emeritus, effective July 1, 1974.

Feliks W. Jablonowski, University Libraries, with the title Professor Emeritus, effective July 1, 1974.

Hugh D. Laughlin, Academic Faculty of Educational Administration, with the title Professor Emeritus, effective October 1, 1974.

May 3, 1974 meeting, Board of Trustees

II. PERSONNEL ACTIONS (continued)

D. Emeritus Titles (continued)

Walter Meiden, Department of Romance Languages, with the title Professor Emeritus, effective October 1, 1974.

Robert M. Reese, Academic Faculty of Vocational-Technical Education, with the title Professor Emeritus, effective July 1, 1974.

Hoyt L. Sherman, Division of Art, with the title Professor Emeritus, effective July 1, 1974.

George L. Tilley, School of Architecture, with the title Professor Emeritus, effective July 1, 1974.

Fairfax E. Watkins, Department of Engineering Graphics, with the title Professor Emeritus, effective July 1, 1974.

Robert J. Wherry, Department of Psychology, with the title Professor Emeritus, effective July 1, 1974.

Chester M. Winter, College of Dentistry, with the title Professor Emeritus, effective July 1, 1974.

Anthony J. Montonaro, School of Health, Physical Education, and Recreation, with the title Associate Professor Emeritus, effective July 1, 1974.

Frances E. Bovard, Cooperative Extension Service, with the title Assistant Professor Emeritus, effective July 1, 1974.

President Enarson recommended that the Appointment, Resignation, Leaves of Absence Without Salary, Emeritus Titles, and personnel budget actions as recorded in the "Salary Roll" of the University be approved.

Upon motion of Mr. Harrod, seconded by Mrs. James, the Board of Trustees approved the foregoing recommendation by unanimous roll call vote, and the Secretary was instructed to file these changes in the "Salary Roll," an official document of the University.

\*

\*

\*

III. REPORT OF RESEARCH CONTRACTS, GRANTS, GIFTS, AND AGREEMENTS

THIRD QUARTER 1973-74

OFFICE OF FISCAL AFFAIRS AND THE TREASURER OF THE UNIVERSITY

	Number of Projects	Level of Support	% Change from 1972-73
<u>Federal</u>			
Student	6	\$ 105,785.00	(29)
Training Grants	<u>41</u>	<u>3,693,525.00</u>	<u>3</u>
Total - Federal	47	\$3,799,310.00	2
<u>State of Ohio</u>	2	63,749.00	(15)
<u>Industrial and Other</u>	<u>17</u>	<u>759,836.85</u>	<u>519</u>
Totals	66	\$4,622,895.85	18

THE OHIO STATE UNIVERSITY RESEARCH FOUNDATION

	Number of Projects	Level of Support	% Change from 1972-73
<u>Federal</u>			
U. S. Atomic Energy Commission	6	\$ 489,336.00	39
National Aeronautics and Space Administration	3	209,760.00	1099
National Science Foundation	13	491,000.00	(65)
Department of Defense Health, Education, and Welfare	21	705,563.00	(7)
Other Federal	<u>31</u>	<u>1,554,152.00</u>	<u>81</u>
Total - Federal	82	\$4,619,679.00	11
<u>State of Ohio</u>	3	12,000.00	(55)
<u>Industrial, Subcontracts, and     Other Non-Federal</u>	<u>16</u>	<u>536,128.00</u>	<u>(32)</u>
Totals	101	\$5,167,807.00	4

May 3, 1974 meeting, Board of Trustees

III. REPORT OF RESEARCH CONTRACTS, GRANTS, GIFTS, AND AGREEMENTS  
(continued)

THIRD QUARTER 1973-74

THE ENGINEERING EXPERIMENT STATION

	Number of Projects	Level of Support	% Change from 1972-73
<u>Federal</u>	9	\$ 20,060.00	654
<u>State of Ohio</u>	8	39,132.00	160
<u>Industrial and Other</u>	66	108,239.00	(19)
Totals	83	\$ 167,431.00	11

THE OHIO STATE UNIVERSITY DEVELOPMENT FUND

	Number of Donors	Level of Support	% Change from 1972-73
<u>General Solicitation</u>	2,496	\$ 78,806.99	33
<u>Major Resources Group</u>			
Major Individual Gifts	193	\$ 453,356.82	(20)
Corporate Gifts	103	206,218.52	3
Foundation and Non- Profit Organization Gifts	131	316,104.17	(14)
Total	427	\$ 975,679.51	(14)
Totals	2,923	\$1,054,486.50	(12)

May 3, 1974 meeting, Board of Trustees

III. REPORT OF RESEARCH CONTRACTS, GRANTS, GIFTS, AND AGREEMENTS  
(continued)

President Enarson recommended that the following contracts and grants negotiated and monies received for the month of March 1974 be accepted.

Summary for March 1974

	No. of Projects	Support Level
Office of Fiscal Affairs and the Treasurer of the University	34	\$ 927,683.89
The Ohio State University Research Foundation	31	2,425,235.00
The Engineering Experiment Station	1	<u>14,318.00</u>
		\$3,367,236.89
	(Donors)	
The Ohio State University Development Fund	941	\$ 515,244.80

A detailed listing of the items in each section is shown on the following pages.

Upon motion of Dr. Sirak, seconded by Mr. Gushman, the research agreements between The Ohio State University and The Ohio State University Research Foundation for the contracts and grants reported herein, and the acceptance of the report from the Office of Fiscal Affairs and the Treasurer of the University and The Ohio State University Development Fund, including the establishment of named funds, was approved by unanimous voice vote.

May 3, 1974 meeting, Board of Trustees

III. REPORT OF RESEARCH CONTRACTS, GRANTS, GIFTS, AND AGREEMENTS  
(continued)

A. Office of Fiscal Affairs and the Treasurer of the University

1. Federal Contracts/Grants

- a. \$175,413.00 granted by Department of Health, Education, and Welfare, Public Health Service, Bethesda, Maryland, for Preventive Medicine Curriculum Augmentation - Training Grant, under the direction of Department of Preventive Medicine, for period July 1, 1974 through June 30, 1976. (Grant No. 5 D04 AH01113-09)
- b. \$102,904.00 granted by Department of Health, Education, and Welfare, Public Health Service, Bethesda, Maryland, for Medicinal Chemistry - Training Grant, under the direction of College of Pharmacy, for period March 1, 1974 through June 30, 1975. (Grant No. 3 T01 GM01949-05S1)
- c. \$90,359.00 additional grant from Department of Health, Education, and Welfare, Office of Education, Washington, D. C., for Abstracts of Instructional Materials (AIM) and Abstracts of Research Materials (ARM) on Vocational and Technical Education, under the direction of Center for Vocational and Technical Education, for period February 1, 1973 through December 31, 1974. (Grant No. OEG-0-73-3016)
- d. \$81,000.00 granted by Department of Health, Education, and Welfare, Public Health Service, Bethesda, Maryland, for Renal Disease - Training Grant, under the direction of College of Medicine, for period April 1, 1974 through June 30, 1975. (Grant No. 3 T01 HL05975-02S1)
- e. \$30,969.00 additional grant from Department of Health, Education, and Welfare, Public Health Service, Bethesda, Maryland, for Clinical Cancer Training, Dental - Training Grant, under the direction of College of Dentistry, for period July 1, 1973 through June 30, 1974. (Grant No. 3 T12 CA08129-07S1)
- f. \$30,810.00 granted by National Science Foundation, Washington, D. C., for Student Science Training for High Ability Secondary School Students, under the direction of Department of Mathematics, for period March 15, 1974 through October 31, 1974. (Grant GY-11406, Proposal No. 4/01027)
- g. \$26,349.00 granted by Department of Health, Education, and Welfare, Public Health Service, National Institutes of Health, Bureau of Health Resources Development, Bethesda, Maryland, for Health Professions Scholarship, under the direction of College of Medicine, for period July 1, 1973 through June 30, 1975. (I. D. No. 05L390071 74 BHL10; Former No. 1 7 45 0430 15 1)

May 3, 1974 meeting, Board of Trustees

III. REPORT OF RESEARCH CONTRACTS, GRANTS, GIFTS, AND AGREEMENTS  
(continued)

A. Office of Fiscal Affairs and the Treasurer of the University (continued)

1. Federal Contracts/Grants (continued)

- h. \$26,349.00 granted by Department of Health, Education, and Welfare, Public Health Service, National Institutes of Health, Bureau of Health Resources Development, Bethesda, Maryland, for Health Professions Scholarship, under the direction of College of Dentistry, for period July 1, 1973 through June 30, 1975. (I. D. No. 05L390075 74 BHL30; Former No. 2 7 45 0430 15 1)
- i. \$25,308.00 additional grant from Department of Health, Education, and Welfare, Public Health Service, Bethesda, Maryland, for Parasitology and Medical Entomology - Training Grant, under the direction of Department of Entomology, for period April 1, 1974 through June 30, 1975. (Grant No. 3 T01 AI00216-13S1)
- j. \$24,735.00 additional grant from Department of Health, Education, and Welfare, Public Health Service, Bethesda, Maryland, for General Research Support Grant, under the direction of School of Nursing, for period January 1, 1973 through December 31, 1973. (Grant No. 3 S01 RR05742-02S1)
- k. \$23,688.00 granted by Department of Health, Education, and Welfare, Public Health Service, Bethesda, Maryland, for Monte Carlo Calculations of Polypeptide and Nucleic, Development Award - Research Career Program, under the direction of Department of Biochemistry, for period June 1, 1974 through May 31, 1975. (Grant No. 1 K04 GM70742-01)
- l. \$22,843.00 additional grant from Department of Health, Education, and Welfare, Public Health Service, Bethesda, Maryland, for Clinical Cancer Training - Medical, under the direction of Department of Surgery, for period July 1, 1973 through June 30, 1974. (Grant No. 3 T12 CA08110-08S1)
- m. \$19,350.00 granted by Department of Health, Education, and Welfare, Public Health Service, Bethesda, Maryland, for Protein Structure - Functions, Pheromones in Lower Plants, Development Award - Research Career Program, under the direction of Department of Chemistry, for period June 1, 1974 through May 31, 1975. (Grant No. 1 K04 GM70711-01)
- n. \$19,139.00 granted by Department of Health, Education, and Welfare, Public Health Service, Bureau of Health Resources Development, Bethesda, Maryland, for Health Professions Scholarship, under the direction of College of Veterinary Medicine, for period July 1, 1973 through June 30, 1975. (I. D. No. 05L390083 74 BHL70; Former No. 7 7 45 0430 15 1)



III. REPORT OF RESEARCH CONTRACTS, GRANTS, GIFTS, AND AGREEMENTS  
(continued)

A. Office of Fiscal Affairs and the Treasurer of the University (continued)

1. Federal Contracts/Grants (continued)

- o. \$13,543.00 granted by Department of Health, Education, and Welfare, Public Health Service, Bethesda, Maryland, for Research Fellowship - International, under the direction of Department of Surgery, for one year. (Fellowship No. 1 F05 TW02075-01)
- p. \$12,082.00 granted by Department of Health, Education, and Welfare, Public Health Service, Bureau of Health Resources Development, Bethesda, Maryland, for Health Professions Scholarship, under the direction of College of Pharmacy, for period July 1, 1973 through June 30, 1975. (I.D. No. 05L390079 74 BHL50; Former No. 5 7 45 0430 15 1)
- q. \$8,323.00 granted by Department of Health, Education, and Welfare, Public Health Service, Bureau of Health Resources Development, Bethesda, Maryland, for Health Professions Scholarship, under the direction of College of Optometry, for period July 1, 1973 through June 30, 1975. (I.D. No. 05L390077 74 BHL40; Former No. 4 7 45 0430 15 1)
- r. \$5,852.00 additional grant from Department of Health, Education, and Welfare, National Institute of Education, Contracts and Grants Management Division, Washington, D. C., for Development of a Career Education Occupational Exploration Program, under the direction of Center for Vocational and Technical Education, for period March 1, 1974 through June 30, 1974. (Contract No. NE-C-00-4-0012, Modification No. 2)
- s. \$5,589.00 additional grant from Department of Health, Education, and Welfare, Public Health Service, Bethesda, Maryland, for Postdoctoral Training in Neurological Surgery, under the direction of Department of Surgery, for period July 1, 1973 through June 30, 1974. (Grant No. 3 T01 NS05529-08S1)
- t. \$3,500.00 granted by Department of the Interior, Bureau of Sport Fisheries and Wildlife, Washington, D. C., for preparation of a report detailing types, distribution, and hazards to wildlife from radio-active isotopes released into the environment by nuclear power plants, under the direction of Department of Zoology, for period April 1, 1974 through September 30, 1974. (Contract No. 14-16-0008-1137)
- u. \$3,262.00 additional grant from Department of Health, Education, and Welfare, Public Health Service, Bethesda, Maryland, for Orthopaedic Education for Medical School Careers, under the direction of Department of Surgery, for period April 1, 1974 through June 30, 1975. (Grant No. 3 T01 AM05695-02S1)

III. REPORT OF RESEARCH CONTRACTS, GRANTS, GIFTS, AND AGREEMENTS  
(continued)

A. Office of Fiscal Affairs and the Treasurer of the University (continued)

1. Federal Contracts/Grants (continued)

- v. \$2,121.00 granted by Department of the Navy, Supply Officer, Navy Recruiting Area Four, Columbus, Ohio, for Evaluation of Navy Display Booth, APGA Conference April 8 through 12, 1974, under the direction of Center for Vocational and Technical Education. (Contract No. N62914-74-M-0142)
- w. \$720.00 additional grant from Department of Health, Education, and Welfare, Public Health Service, Bethesda, Maryland, for Chromosome: Regulation, Organization and Function, Development Award - Research Career Program, under the direction of Department of Microbiology, for period January 1, 1974 through December 31, 1974. (Grant No. 3 K04 GM70300-02S1)

TOTAL - Federal Contracts/Grants \$754,208.00

2. State of Ohio Contract/Grant

- a. \$39,749.00 granted by State of Ohio, The Ohio Advisory Council for Vocational Education, Columbus, Ohio, for Evaluation Studies, under the direction of Center for Vocational and Technical Education, for period April 1, 1974 through November 30, 1974.

3. Industrial and Other Contracts/Grants

- a. \$22,968.53 granted by Charleston County Schools, Charleston, South Carolina, for providing a continuing organizational structure to facilitate the development and implementation of career education in the member school districts in the Alliance for Career Education, under the direction of Center for Vocational and Technical Education, effective February 1, 1974. (Contract No. CVTE/ACE-121-CCSC-74)
- b. \$21,809.23 granted by Flint Community Schools, Flint, Michigan, for providing a continuing organizational structure to facilitate the development and implementation of career education in the member school districts in the Alliance for Career Education, under the direction of Center for Vocational and Technical Education, effective February 1, 1974. (Contract No. CVTE/ACE-118-FCSC-74)
- c. \$17,675.74 granted by Salinas Union High School District, Salinas, California, for providing a continuing organizational structure to facilitate the development and implementation of career education in the member school districts in the Alliance for Career Education, under the direction of Center for Vocational and Technical Education, effective February 1, 1974. (Contract No. CVTE/ACE-117-SUHS-74)

May 3, 1974 meeting, Board of Trustees

III. REPORT OF RESEARCH CONTRACTS, GRANTS, GIFTS, AND AGREEMENTS

(continued)

A. Office of Fiscal Affairs and the Treasurer of the University (continued)

3. Industrial and Other Contracts/Grants (continued)

- d. \$16,025.67 granted by Columbus Metropolitan Area Community Action Organization, Columbus, Ohio, for support of New Careers Program, under the direction of College of Administrative Science, for period January 3, 1974 through June 30, 1974. (DOL Contract No. N5-2519-39)
- e. \$13,629.00 additional grant from Columbus Metropolitan Area Community Action Organization, Columbus, Ohio, for support of New Careers Program, under the direction of School of Social Work, for period January 3, 1974 through June 30, 1974. (DOL Contract No. 2519-39)
- f. \$12,500.00 granted by Madison Township Local Schools, Trotwood, Ohio, for Planning Service for a New Junior High School and a New Elementary School, under the direction of Academic Faculty of Educational Administration.
- g. \$11,972.04 granted by Madison Public Schools, Madison, Wisconsin, for providing a continuing organizational structure to facilitate the development and implementation of career education in the member school districts in the Alliance for Career Education, under the direction of Center for Vocational and Technical Education, effective February 1, 1974. (Contract No. CVTE/ACE-116-MPSC-74)
- h. \$5,800.00 granted by The Delaware City Board of Education, Delaware, Ohio, for School Facilities Survey of Delaware, Ohio, under the direction of Academic Faculty of Educational Administration, for period March 1, 1974 through August 15, 1974.
- i. \$5,793.34 granted by Milwaukee Public Schools, Milwaukee, Wisconsin, for providing a continuing organizational structure to facilitate the development and implementation of career education in the member school districts in the Alliance for Career Education, under the direction of Center for Vocational and Technical Education, effective March 8, 1974. (Contract No. CVTE/ACE-120-MPSC-74)
- j. \$5,553.34 granted by Anne Arundel County Schools, Glen Burne, Maryland, for providing a continuing organizational structure to facilitate the development and implementation of career education in the member school districts in the Alliance for Career Education, under the direction of Center for Vocational and Technical Education, effective February 1, 1974. (Contract No. CVTE/ACE-114-AACS-74)

TOTAL - Industrial and Other Contracts/Grants \$133,726.89

May 3, 1974 meeting, Board of Trustees

III. REPORT OF RESEARCH CONTRACTS, GRANTS, GIFTS, AND AGREEMENTS  
(continued)

B. The Ohio State University Research Foundation

1. Federal Research Contracts/Grants

- a. \$959,140.00 from Department of Labor, Manpower Administration, Washington, D. C., for National Longitudinal Studies of Labor Force Behavior, under the direction of College of Administrative Science, Division of Research, Center for Human Resource Research, for period July 1, 1972 through June 30, 1975. (Project 3489-A1 - Mod. #5)
- b. \$133,323.00 from Department of Health, Education, and Welfare, Public Health Service, National Institutes of Health, National Cancer Institute, Bethesda, Maryland, for Transfer Factor Therapy of Sarcoma, under the direction of Department of Medicine, for period April 1, 1974 through March 31, 1975. (Project 3888-A1 - New)
- c. \$89,683.00 from Department of Health, Education, and Welfare, Public Health Service, National Institutes of Health, Bureau of Health Manpower Education, Division of Physical and Health Professions Education, Bethesda, Maryland, for Health Professions Special Project Grant Program, under the direction of Department of Medicine, for period July 1, 1973 through June 30, 1974. (Project 3517-A2 - Sup. #1)
- d. \$87,286.00 from Department of Health, Education, and Welfare, Public Health Service, National Institutes of Health, National Cancer Institute, Bethesda, Maryland, for In vitro Study of the Nature of Interaction Between Chemical and Viral Carcinogens, under the direction of Department of Veterinary Pathobiology, for period February 20, 1974 through December 19, 1974. (Project 3885-A1 - New)
- e. \$78,287.00 from Department of Health, Education, and Welfare, Public Health Service, National Institutes of Health, National Cancer Institute, Bethesda, Maryland, for Chemical Studies Related to Hydrocarbon Carcinogenesis, under the direction of Department of Chemistry, for period June 1, 1974 through May 31, 1975. (Project 3284-A4 - Ext. #3)
- f. \$74,900.00 from Department of Health, Education, and Welfare, Public Health Service, National Institutes of Health, National Cancer Institute, Bethesda, Maryland, for Therapy of Patients with Bronchogenic Carcinoma, under the direction of Department of Surgery, for period March 15, 1973 through March 14, 1976. (Project 3648-A1 - Mod. #1)

III. REPORT OF RESEARCH CONTRACTS, GRANTS, GIFTS, AND AGREEMENTS  
(continued)

B. The Ohio State University Research Foundation (continued)

1. Federal Research Contracts/Grants (continued)

- g. \$68,098.00 from Department of Health, Education, and Welfare, Public Health Service, National Institutes of Health, National Cancer Institute, Bethesda, Maryland, for Transfer Factor Immunotherapy of Cancer, under the direction of Department of Medicine, for period March 1, 1974 through February 28, 1975. (Project 3674-A2 - Ext. #1)
- h. \$60,000.00 from Department of the Army, Eustis Directorate, Army Air Mobility Research and Development Laboratory, Ft. Eustis, Virginia, for Investigation of Accelerated Life Prediction Techniques, under the direction of Department of Mechanical Engineering, for period March 1, 1974 through January 15, 1975. (Project 3882-A1 - New)
- i. \$50,336.00 from U. S. Atomic Energy Commission, Argonne, Illinois, for Pulse Radiolysis Studies of Fast Reaction in Molecular Systems, under the direction of Department of Chemistry, for period February 1, 1974 through January 31, 1975. (Project 2589-F - Mod. #3-1)
- j. \$50,000.00 from Department of the Navy, Office of Naval Research, Arlington, Virginia, for Development of a Design Handbook on Stress-Corrosion Cracking, under the direction of Department of Metallurgical Engineering, for period December 15, 1973 through December 14, 1974. (Project 3875-A1 - New)
- k. \$50,000.00 from U. S. Atomic Energy Commission, Argonne, Illinois, for Corrosion, Stress Corrosion Cracking, and Electrochemistry of Iron and Nickel Base Alloys in Caustic Environments, under the direction of Department of Metallurgical Engineering, for the period March 1, 1974 through February 28, 1975. (Project 3886-A1 - New)
- l. \$46,312.00 from Department of Health, Education, and Welfare, Public Health Service, National Institutes of Health, National Cancer Institute, Bethesda, Maryland, for Yaba Virus Oncogenesis Immunologic and Viral Factors, under the direction of Department of Veterinary Pathobiology, for period April 1, 1974 through March 31, 1975. (Project 2899-D - Ext. #6)
- m. \$40,280.00 from Department of the Air Force, Office of Scientific Research, Arlington, Virginia, for Ignition, Combustion, Detonation, and Arresting of Unconfined and Confined Reactive Mixtures, under the direction of Department of Aeronautical and Astronautical Engineering, for period April 1, 1973 through March 31, 1975. (Project 3641-A1 - Mod. AFOSR-73-2511A)

May 3, 1974 meeting, Board of Trustees

III. REPORT OF RESEARCH CONTRACTS, GRANTS, GIFTS, AND AGREEMENTS  
(continued)

B. The Ohio State University Research Foundation (continued)

1. Federal Research Contracts/Grants (continued)

- n. \$40,000.00 from Department of the Army, Defense Civil Preparedness Agency, Washington, D. C., for Disaster Response and Planning, under the direction of Department of Sociology, for period April 1, 1974 through March 31, 1975. (Project 3395-A1 - Mod. #P442-4)
- o. \$35,000.00 from National Science Foundation, Washington, D. C., for Studies on Galactose-1-P Uridyl-yl-transferase, under the direction of Department of Chemistry, for period March 1, 1974 through February 29, 1976. (Project 3883-A1 - New)
- p. \$34,510.00 from Department of Health, Education, and Welfare, Public Health Service, National Institutes of Health, National Cancer Institute, Bethesda, Maryland, for Modification of Cellular Immunity to Neoplasia in Man, under the direction of Department of Medicine, for period February 1, 1974 through January 31, 1975. (Project 3399-A3 - Ext. #2)
- q. \$33,218.00 from Department of Health, Education, and Welfare, Public Health Service, National Institutes of Health, National Cancer Institute, Bethesda, Maryland, for Synthesis of Carcinogenic Compounds, under the direction of Department of Chemistry, for period March 1, 1974 through February 28, 1975. (Project 1809-J - Ext. #10)
- r. \$32,000.00 from Department of the Navy, Office of Naval Research, Arlington, Virginia, for Alloy Corrosion, under the direction of Department of Metallurgical Engineering, for period March 1, 1974 through February 28, 1975. (Project 3003-A1 - Mod. #05)
- s. \$30,501.00 from Department of Health, Education, and Welfare, Public Health Service, National Institutes of Health, National Heart and Lung Institute, Bethesda, Maryland, for Dynamics of O<sub>2</sub> and CO<sub>2</sub> Regulation, under the direction of Department of Physiology, for period April 1, 1974 through March 31, 1975. (Project 3464-A3 - Ext. #2)
- t. \$30,000.00 from Department of the Navy, Arlington, Virginia, for Defense Contract Laws Course, under the direction of College of Administrative Science, Division of Continuing Education, for period August 1, 1972 through December 31, 1974. (Project 3548-A1 - Mod. #01)

May 3, 1974 meeting, Board of Trustees

III. REPORT OF RESEARCH CONTRACTS, GRANTS, GIFTS, AND AGREEMENTS  
(continued)

B. The Ohio State University Research Foundation (continued)

1. Federal Research Contracts/Grants (continued)

- u. \$29,997.00 from Department of the Navy, Naval Regional Procurement Office, Officer-in-Charge, Long Beach, California, for Pattern Optimization of Wing Mounted Array Antennas at NHF, under the direction of Department of Electrical Engineering, for period March 1, 1974 through February 28, 1975. (Project 3884-A1 - New)
- v. \$20,000.00 additional funds from Environmental Protection Agency, National Environmental Research Center, Research Triangle Park, New York, for Mechanisms of Photochemically Initiated Oxidation, under the direction of Department of Chemistry. (Project 1220-N - Amend. #1)
- w. \$15,000.00 from National Science Foundation, Washington, D. C., for Equipment Grant--Spectroscopic Instrumentation, under the direction of Department of Physics, for period April 1, 1974 through September 30, 1975. (Project 3889-A1 - New)
- x. \$8,000.00 from Department of the Air Force, Air Force Systems Command, Headquarters 4950th Test Wing, Wright-Patterson Air Force Base, Ohio, for Development of High Density Gas Diagnostics for High Speed Aerodynamics, under the direction of Department of Aeronautical and Astronautical Engineering, for period April 1, 1974 through April 1, 1975. (Project 3890-A1 - New)
- y. \$7,307.00 additional funds from Department of the Army, Huntington District, Corps of Engineers, Huntington, West Virginia, for Environmental Analysis of Central Ohio, under the direction of College of Biological Sciences, Ohio Biological Survey and College of Engineering, School of Architecture. (Project 3492-C1 - Ltr. Dtd. 3/6/74)
- z. \$7,000.00 from Department of the Navy, Office of Naval Research, Arlington, Virginia, for Nuclear Magnetic Resonance, under the direction of Department of Chemistry, for period July 1, 1973 through June 30, 1974. (Project 3803-A1 - Mod. #01)
- aa. \$4,143.00 additional funds from Department of the Army, Huntington District, Corps of Engineers, Huntington, West Virginia, for Environmental Analysis of Central Ohio, under the direction of College of Biological Sciences, Ohio Biological Survey. (Project 3492-A1 - Ltr. Dtd. 3/6/74)

TOTAL - Federal Research Contracts/Grants \$2,114,321.00

May 3, 1974 meeting, Board of Trustees

III. REPORT OF RESEARCH CONTRACTS, GRANTS, GIFTS, AND AGREEMENTS  
(continued)

B. The Ohio State University Research Foundation (continued)

2. State of Ohio Research Contract/Grant

- a. \$1,700.00 from State of Ohio, Department of Mental Health and Mental Retardation, Division of Forensic Psychiatry, Columbus, Ohio, for Computer Services--Dayton-Montgomery Forensic Center, under the direction of College of Administrative Science, Division of Public Administration, for period February 25, 1974 through September 30, 1974. (Project 3595-B2 - New)

3. Industrial, Subcontracts/Grants and Other Non-Federal Research Contracts/Grants

- a. \$283,750.00 additional funds from Edison Electric Institute, New York, New York, for Stress Corrosion Cracking of Stainless Steels and Inconels, under the direction of Department of Metallurgical Engineering. (Project 3507-A1 - Dtd. 2/28/74)
- b. \$15,000.00 additional funds from Union Carbide Corporation, Nuclear Division, Oak Ridge, Tennessee, for Fundamental Study of Spiking in Partial Penetration Electron Beam Welding of Uranium and Refractory Materials, under the direction of Department of Welding Engineering. (Project 2918-C - Sup. Agreement #8)
- c. \$10,464.00 from University of Oklahoma, Norman, Oklahoma, for Characterization and Analysis of University-Connected Research Foundation, under the direction of The Ohio State University Research Foundation, for period February 1, 1974 through April 30, 1975. (Project 3887-A1 - New)

TOTAL - Industrial, Subcontracts/Grants and Other  
Non-Federal Research Contracts/Grants \$309,214.00

C. The Engineering Experiment Station

1. Industrial and Other Research Contract

- a. \$14,318.00 from Labrenz Riemer Incorporated, Columbus, Ohio, for Assistance in the Preparation of a Comprehensive Water-course Plan, under the direction of School of Architecture, for period February 22, 1974 through June 7, 1974. (EES 477)



May 3, 1974 meeting, Board of Trustees

III. REPORT OF RESEARCH CONTRACTS, GRANTS, GIFTS, AND AGREEMENTS  
(continued)

D. The Ohio State University Development Fund

1. Gifts of \$5,000 or More

- a. \$100,000.00 from The Kiplinger Foundation, Inc., Washington, D. C., for the Willard M. Kiplinger Chair in Public Affairs Reporting.
- b. \$51,748.76 from The Associates of Medicine, Columbus, Ohio, for continued support of the Department of Medicine General Fund.
- c. \$33,800.00 from Stern Fund, New York, New York, for the College of Medicine, to be used for investigation into transfer factor immunotherapy in cancer.
- d. \$25,000.00 from Estate of Herman V. Glunz, Cleveland, Ohio, for scholarships for undergraduate and/or fellowships for graduate students in the College of Engineering.
- e. \$25,000.00 from The F. & R. Lazarus & Company, Columbus, Ohio, for the Robert Lazarus Student Loan Fund.
- f. \$21,500.00 from Estate of Olline G. Hyman, Columbus, Ohio, for the Department of Ophthalmology for eye research.
- g. \$13,750.00 from Estate of Elizabeth D. Jones, Cincinnati, Ohio, for an endowed scholarship in the College of Veterinary Medicine.
- h. \$12,810.00 from Ohio Electric Utility Institute, Columbus, Ohio, for its fellowship fund in the Department of Electrical Engineering.
- i. \$10,000.00 from Westinghouse Educational Foundation, Pittsburgh, Pennsylvania, for support of the Lamme Power Systems Laboratory.
- j. \$7,765.00 from The Charles F. High Foundation, Bucyrus, Ohio, for its named scholarship fund.
- k. \$6,346.00 from The Grace High Washburn Trust, Bucyrus, Ohio, for its scholarship fund.
- l. \$6,000.00 from PPG Industries Foundation, Pittsburgh, Pennsylvania, to purchase laboratory equipment for the Department of Mechanical Engineering.
- m. \$5,893.73 from Association of Home Appliance Manufacturers, Chicago, Illinois, for an endowed fund for use by the School of Home Economics.
- n. \$5,500.00 from National Steel Corporation, Weirton, West Virginia, for its fellowship in the Department of Metallurgical Engineering.

III. REPORT OF RESEARCH CONTRACTS, GRANTS, GIFTS, AND AGREEMENTS  
(continued)

D. The Ohio State University Development Fund (continued)

1. Gifts of \$5,000 or More (continued)

- o. \$5,400.00 from Trust Under the Will of Anna Roessler, Columbus, Ohio, for continuing support of research scholarships for students enrolled in the College of Medicine.
- p. \$5,170.51 from Antique Show Receipts (given in the name of Mrs. Josephine Sitterle Failer, Columbus, Ohio), for a purpose to be designated at a later date.
- q. \$5,000.00 from Estate of Eugene John Weigel, Columbus, Ohio, for scholarships to undergraduate female students in the School of Music.

2. Establishment of Named Funds

- a. \$25,000.00 from the membership of the International Brotherhood of Electrical Workers, Local 683, Columbus, Ohio, for the establishment of the A. Z. Larison/Local 683 I. B. E. W. Scholarship Fund.

A. Z. Larison/Local 683 I. B. E. W. Scholarship Fund

The A. Z. Larison/Local 683 I. B. E. W. Scholarship Fund was established May 3, 1974, by the Board of Trustees of The Ohio State University, with a gift from the membership of the International Brotherhood of Electrical Workers, Local 683, Columbus, Ohio, to commemorate the memory of Mr. A. Z. Larison, the first Business Manager of Local 683.

The original gift, and all subsequent gifts, are to be invested in The Ohio State University's Permanent Endowment Fund under the rules and regulations adopted by the Board of Trustees of The Ohio State University, with the right to invest and reinvest as occasion dictates.

The annual income from this fund is to be used to provide scholarships awarded on the bases of need and merit to sons, daughters, and wards of members of Local 683 of the International Brotherhood of Electrical Workers. The University's Student Financial Aids Committee is to evaluate applicants and make the selections annually. The awards are renewable annually through four years of undergraduate study.

III. REPORT OF RESEARCH CONTRACTS, GRANTS, GIFTS, AND AGREEMENTS  
(continued)

D. The Ohio State University Development Fund (continued)

2. Establishment of Named Funds (continued)

a. A. Z. Larison/Local 683 I. B. E. W. Scholarship Fund (continued)

Should the need for these scholarships cease to exist, or so diminish as to provide unused income, then the income may be used for any purpose whatsoever as determined by The Ohio State University Board of Trustees, with preference being given to recommendations from the Office of Student Financial Aids and the Business Manager of I. B. E. W. Local 683.

- b. \$15,600.00 from family, alumni, and other friends of the University, as well as gifts from The Ohio State University Association Board of Directors and The Ohio State University Development Fund Board of Directors for the establishment of the Richard M. Mall Memorial Scholarship Fund.

Richard M. Mall Memorial Scholarship Fund

The Richard M. Mall Memorial Scholarship Fund was established May 3, 1974, by the Board of Trustees of The Ohio State University with gifts through the Development Fund from family, alumni, and other friends of the University, as well as gifts from The Ohio State University Association Board of Directors and The Ohio State University Development Fund Board of Directors, in memory of Dr. Richard M. Mall, M.A. '49, Ph.D. '52, late of Columbus, Ohio, Director of Alumni Affairs, Editor of the MONTHLY, and Executive Director of The Ohio State University Development Fund, 1967 to 1973, Professor of Speech, 1960 to 1973, and faculty member since 1947.

All gifts are to be invested in the University's Permanent Endowment Fund, under the rules and regulations adopted by the Board of Trustees of The Ohio State University, with the right to invest and reinvest as occasion dictates.

The annual income is to be used to provide scholarships for undergraduate student leaders, these students to be selected by the University Scholarship Committee.

Should the need for these scholarships cease to exist or so diminish as to provide unused income, or should the University Scholarship Committee cease to exist, through any reorganization of the University, then the income may be used for any purpose whatsoever as determined

III. REPORT OF RESEARCH CONTRACTS, GRANTS, GIFTS, AND AGREEMENTS  
(continued)

D. The Ohio State University Development Fund (continued)

2. Establishment of Named Funds (continued)

b. Richard M. Mall Memorial Scholarship Fund (continued)

by the Board of Trustees, with preference being given to the recommendations of the appropriate administrative official of the University who is then directly responsible for the student financial aids program.

c. \$1,000.00 from R. Richard McNeal for the establishment of The R. Richard McNeal Scholarship Fund.

The R. Richard McNeal Scholarship Fund

The R. Richard McNeal Scholarship Fund was established May 3, 1974, by the Board of Trustees of The Ohio State University with gifts to The Ohio State University Development Fund from R. Richard McNeal, Columbus, Ohio.

All gifts are to be invested in the University's Permanent Endowment Fund, under the rules and regulations adopted by the Board of Trustees of The Ohio State University, with the right to invest and reinvest as occasion dictates.

The annual income is to be used to provide one or more scholarships for undergraduate students who have demonstrated academic ability and need for financial assistance. The students must be enrolled in the College of Education. The selection of the recipient(s) is to be made by the University Scholarship Committee upon the recommendation of the Dean of the College of Education.

Should the need for the scholarship cease to exist or so diminish as to provide unused income, then the income may be used for any purpose whatsoever as determined by the Board of Trustees with preference being given to the recommendations from the appropriate administrative official of the University who is then directly responsible for scholarships.

\*

\*

\*

IV. BUSINESS AND ADMINISTRATION

A. Architect or Engineer

1. University Hospital, Air Conditioning Improvements

President Enarson recommended that the engineering firm of W. E. Monks, Columbus, Ohio, be employed to provide complete engineering services required including preliminary, basic and final bidding documents and cost estimates.

May 3, 1974 meeting, Board of Trustees

IV. BUSINESS AND ADMINISTRATION (continued)

A. Architect or Engineer (continued)

1. University Hospital, Air Conditioning Improvements (continued)

The fee for this service will be negotiated between the engineering firm and the Division of Public Works. The total estimated project cost is \$303,570.

Funds for this service have been provided from Budget Account 960200 (Hospital Rotary).

Upon motion of Mr. Safford, seconded by Mr. Gushman, the above recommendation was approved by unanimous roll call vote.

B. Plans and Specifications

At the request of the Vice President for Business and Administration, President Enarson recommended that the plans and specifications, bills of materials, and estimates of cost for the following projects be approved by the Board of Trustees.

1. Mahoning County Area Extension Center

This center will be located in Canfield, Ohio, and will provide agricultural extension services for the nine-county area of Northeastern Ohio and for the Mahoning County Extension Office.

Funds are budgeted in H. B. 985, Item 315-087 (Mahoning County Area Extension Center).

2. Mansfield Campus--Recreational Facility

This project will provide two tennis courts and one multi-purpose court for basketball and volleyball. At present there is no recreational facility of this type on the Mansfield Campus.

Funds are budgeted in Budget Account 801299 (Mansfield Recreation Courts).

3. Means Hall--Renovation of Elevators

This project will provide for replacement of two passenger elevators and one freight elevator with a passenger elevator. The existing elevators were installed in 1948 for the Tuberculosis Hospital.

Funds are budgeted in Budget Account 801297 (Means Hall Elevators).

IV. BUSINESS AND ADMINISTRATION (continued)

B. Plans and Specifications (continued)

4. Parking Lot Renovation--Eleventh and Worthington Avenues

This project will provide compatible grading plans to expand the number of existing parking spaces.

Funds are budgeted in Budget Account 801292 (Parking Lots West Tenth - West Eleventh Avenues).

5. Evans Laboratory - Ventilation (Phase I, First Floor)

This project will improve the ventilation of the first floor laboratories for the purpose of eliminating safety hazards to students and all University personnel.

Funds are budgeted in H. B. 985, Item 315-074 (Utilities and Renovation).

Upon motion of Mr. Harrod, seconded by Dr. Sirak, the above recommendations were approved by unanimous roll call vote, and the Secretary was authorized and directed to sign the plans and specifications for the above projects for and on behalf of the Board of Trustees. The Vice President for Business and Administration was directed to proceed with a request for bids in the normal University manner, and if satisfactory bids are received to proceed with the award of contracts. All action regarding this matter will be reported to the Board of Trustees at a later meeting.

C. Report of Award of Contracts

In accordance with authorization provided by the Board of Trustees, bids were taken on the projects listed below and the contracts were recommended for award. The action reported to the Board was as follows:

1. Arps Hall, College of Education--Library Improvements

	<u>Low Bid</u>	<u>Est. of Cost</u>
<u>General Contract</u>		
(3 bids received 4-17-74)		
A. L. Meyer Construction (Columbus)	\$ 17,442.00*	\$ 11,908.00
<u>Heating, Ventilating, and Air Conditioning Contract</u>		
(3 bids received 4-17-74)		
Farber Corporation (Columbus)	11,700.00*	9,443.00

\*Bids received were above the estimate of cost but it is believed that no better bids could be obtained by readvertising.

May 3, 1974 meeting, Board of Trustees

IV. BUSINESS AND ADMINISTRATION (continued)

C. Report of Award of Contracts (continued)

1. Arps Hall, College of Education--Library Improvements (continued)

	<u>Low Bid</u>	<u>Est. of Cost</u>
<u>Electric Contract</u> (3 bids received 4-17-74) Claggett Electric (Columbus)	\$ 7,262.00	\$ 10,817.00
<u>Total All Contracts</u>	<u>\$ 36,404.00*</u>	<u>\$ 32,168.00</u>

\*Bids received were above the estimate of cost but it is believed that no better bids could be obtained by readvertising.

Funds for this project have been provided in H. B. 985, Item 315-074 (Utilities and Renovation).

2. Electric Trunk Lines--Utility Substation

	<u>Low Bid</u>	<u>Est. of Cost</u>
<u>Electric Contract</u> (2 bids received 4-2-74) Jess Howard Electric Company (Blacklick, Ohio) Base bid	\$ 99,708.00	\$144,200.00
Alt. E-1 Rewire feeder cables for Bio Sciences and Drake Union to new substation and demolish the existing meter station	+ 41,869.00	+ 23,100.00
<u>Total Contract</u>	<u>\$141,577.00</u>	<u>\$167,300.00</u>

Funds for this project have been provided in H. B. 985, Item 315-074 (Utilities and Renovation).

Upon motion of Mr. Harrod, seconded by Dr. Sirak, the above award of contracts and expenditure of funds were approved and the action of the Vice President for Business and Administration was ratified by unanimous roll call vote.

D. Other

1. WTVN--Broadcasting Tower Lease

At last month's meeting, this Board authorized the University's Administration through the Division of Public Works to negotiate a lease

May 3, 1974 meeting, Board of Trustees

IV. BUSINESS AND ADMINISTRATION (continued)

D. Other (continued)

with Taft Broadcasting Company for lease of a parcel of University property for the purpose of erecting a television broadcasting tower. This negotiation has now been completed and the lease with some minor modifications is ready for approval by both parties.

It was recommended that the President and/or the Vice President for Business and Administration be authorized to enter into this lease on behalf of The Ohio State University.

Upon motion of Mr. Harrod, seconded by Mr. Safford, the Board of Trustees approved the foregoing recommendation by unanimous roll call vote.

\* \* \*

V. REPORTS

A. Report of Auditor of State - The Ohio State University Hospitals

The Annual Report of the Auditor of State for The Ohio State University Hospitals for the fiscal year 1971-1972 has been received and reviewed by the appropriate officers of the University.

The accounts, records, files, and reports of The Ohio State University Hospitals were found to be in order with a limited number of exceptions which have since been accommodated.

President Enarson recommended that this Report of the Auditor of State for the fiscal year 1971-1972 for The Ohio State University Hospitals be received and filed with the official documents of the University.

Action on the foregoing recommendation was deferred until the June meeting.

B. Report on the University's Investment Portfolio

The report dated April 26, 1974, as submitted to the Finance Committee of the Board of Trustees by Mr. Ernest W. Leggett pertaining to the University's Investment Portfolio, was received and ordered to be filed with the official records of the Board of Trustees.

\* \* \*

Thereupon the Board adjourned to meet Thursday, June 6, 1974, at The Ohio State University Fawcett Center for Tomorrow, Columbus, Ohio, at 1:30 p.m.

Attest:

\_\_\_\_\_  
Edward Q. Moulton  
Secretary

\_\_\_\_\_  
Don M. Hilliker  
Chairman



THE OHIO STATE UNIVERSITY  
OFFICIAL PROCEEDINGS OF THE  
ONE THOUSAND AND NINETY-SEVENTH MEETING  
OF THE BOARD OF TRUSTEES

Columbus, Ohio, June 14, 1974

The Board of Trustees met at its regular monthly meeting on Friday, June 14, 1974, at The Ohio State University Fawcett Center for Tomorrow, Columbus, Ohio, pursuant to adjournment.

Present: John H. Dunlap, Vice Chairman, Don M. Hilliker, M. Merle Harrod, John L. Gushman, Howard D. Sirak, Patricia D. James, and John W. Kessler.

\* \* \*

Minutes of the last meeting were approved.

\* \* \*

The Vice Chairman, Mr. Dunlap, introduced the new member of the Board of Trustees of The Ohio State University:

John W. Kessler, who was appointed by Governor John J. Gilligan to succeed Mr. James W. Shocknessy, for the term beginning May 14, 1974 and ending May 13, 1983.

\* \* \*

---

Vice Chairman Dunlap presided in the absence of Chairman Safford.

---

RESOLUTIONS IN MEMORIAM

President Enarson reported to the Board the deaths of Clarence C. Bowen, Associate Professor Emeritus in the Department of Agricultural Economics and Rural Sociology; Lawrence Francis Hill, Professor Emeritus in the Department of History; William E. Linch, University Architect Emeritus; Richard C. Miller, Professor Emeritus in the Department of Agricultural Engineering; and Gates S. Vickers, Assistant Professor Emeritus in the Cooperative Extension Service. In accordance with the instructions of the Board of Trustees, copies of the following resolutions expressing on behalf of the University the sorrow and sympathy of the Board will be furnished the families of the deceased.

A. Clarence C. Bowen

The Board of Trustees of The Ohio State University expresses its sorrow at the death on May 4, 1974, of Clarence C. Bowen, Associate Professor Emeritus in the Department of Agricultural Economics and Rural Sociology.

Professor Bowen was born on August 16, 1909, in Montpelier, Ohio, where he graduated from high school in 1926. Following graduation from high school, Professor Bowen entered Ohio State University and received his Bachelor of Science degree with a major in agricultural education in June of 1930. In the autumn of that year he accepted a position as instructor of vocational agriculture at Cheshire High School, a position he held until 1935. In 1935 he accepted a similar position at St. Paris and Rosewood High School, a position he held until 1939. In 1939 he became a vocational agriculture instructor at Covington High School and held this position until 1943. During the period 1943-1947, he was a technician with the Western Ohio Breeders Association. In 1943, he became a livestock marketing county agriculture agent in Preble County, Eaton, Ohio. He held this position until 1959. In 1959, he accepted a position in the Department of Agricultural Economics and Rural Sociology at Ohio State University as a livestock marketing specialist. He held this position until his retirement in 1973.

During the period of his association with the Department of Agricultural Economics and Rural Sociology at Ohio State University, one of his most significant contributions was the development, demonstration, and evaluation of carcass weight and grade selling of beef and hogs in Ohio. He worked closely with Ohio meat packers and livestock market operators. He was a co-author of the Cooperative Extension Service Bulletin, "Auction Selling of Slaughtered Cattle on a Carcass Basis--An Alternative Approach." This publication had a major impact in Ohio and was reprinted primarily because of the unexpected demand from other states throughout the United States. Professor Bowen was really an agent of change in the livestock industry in Ohio and because of his work there has been a large increase in the proportion of Ohio beef and hogs sold on a weight and carcass grade basis. The livestock marketing industry and consumers generally are benefiting from the work he did in this area.

RESOLUTIONS IN MEMORIAM (continued)

A. Clarence C. Bowen (continued)

In 1967 through a program sponsored by the Agency for International Development of the USA, Professor Bowen served three months as a consultant to the Brazilian Meat Type Hog Production and Marketing Program in Brazil. In this capacity, he was responsible for developing a meat type hog production and marketing program for this nation.

Professor Bowen was a member of Gamma Sigma Delta, the honor society of agriculture, the American Economics Association, the Ohio Pork Improvement Association, and the American Agricultural Economics Association.

On behalf of The Ohio State University, the Board of Trustees expresses to the family its deep sympathy and sense of understanding in its loss. It was directed that this resolution be inscribed in the minutes of the Board of Trustees and that a copy be tendered to the family as a sincere expression of the Board's realization of the loss which the family and the University have sustained.

B. Lawrence Francis Hill

The Board of Trustees of The Ohio State University expresses its sorrow at the death on May 6, 1974, of Lawrence Francis Hill, Professor Emeritus in the Department of History.

Professor Hill was born in Bivins, Texas, November 19, 1890. He received a B.S. degree from West Texas State College in 1915; an A.B. degree in 1919, a M.A. degree in 1921, and a Ph.D. degree in 1923, all three from the University of California at Berkeley. He was an Assistant Professor of History at East Texas State College, 1919-1920, and was appointed Assistant Professor of History at The Ohio State University in 1922. He was promoted to the rank of Associate Professor in 1927 and to Professor in 1933, which position he held until 1959 when he became an Emeritus Professor. He also served as Acting Chairman of the Department of History for the year, 1948-1949. He held summer appointments at the University of Nevada, 1921, University of Michigan, 1927 and 1942, University of Colorado, 1932, and Duke University, 1939. Following retirement, he taught at Southern Illinois University, the University of Kansas, and the University of Denver. During World War II he served as an adviser to the Office of Strategic Services from 1941 to 1945, and in 1944 he went to Brazil on a cultural mission for the Department of State.

Professor Hill was recognized as one of the prominent American scholars regarding the affairs of Brazil, and his volume entitled Diplomatic Relations Between the United States and Brazil, published in 1932 by the Duke University Press, has remained the outstanding study of this subject. He was the author of three other books: Jose de Escandon and the Founding of Nuevo Santander; The Confederate Exodus to Latin-America; and Brazil. In addition he contributed a score of articles to scholarly periodicals and reviewed more than one hundred books for professional journals.

Professor Hill was a member of the Mississippi Valley Historical Association, the Conference of Hispanic American History, the Society of American

RESOLUTIONS IN MEMORIAM (continued)

B. Lawrence Francis Hill (continued).

Historians, the Ohio Historical Society, and the American Historical Association, in which he played an active role. At the time of his retirement he was Chairman of the Latin American Conference of the American Historical Association. Professor Hill was elected an honorary member of Phi Beta Kappa.

As a valued member of the Faculty of the Department of History for thirty-seven years, Professor Hill was a warm-hearted, interested, cordial, and candid adviser of many students. As a teacher, he was very exacting and his students were superbly trained. He possessed a vigorous, crisp personality. Before he attended college he worked as a ranchman in West Texas and at one time he played semi-professional baseball. Rugged characteristics and skills developed during these early years remained with him throughout his life. After retirement and post-retirement teaching, he made his home in Colorado.

On behalf of the University, the Board of Trustees expresses to the family and his friends its deep sympathy and sense of understanding in their loss. It was directed that this resolution be inscribed upon the minutes of the Board of Trustees and that a copy be tendered to the family as a humble expression of the Board's heartfelt sympathy in its bereavement.

C. William E. Linch

The Board of Trustees of The Ohio State University expresses its sorrow at the death on May 25, 1974, of William E. Linch, University Architect Emeritus.

Born November 21, 1895, in Steubenville, Ohio, Mr. Linch graduated from The Ohio State University, June, 1921, with the degree of Bachelor of Architectural Engineering. During his school years he was President of Strollers Dramatic Club and was a member of the Glee Club, Scarlet Mask, and Alpha Tau Omega fraternity.

Prior to his University service, Mr. Linch was employed by the architectural firms of York and Sawyer in New York and Robert S. Harsh Associates in Columbus. During the years 1930 through 1944 he served in the Office of the State Architect and from 1945 to 1956 was a member of the firm of Sims, Cornelius, and Schooley.

In February, 1956, Mr. Linch was appointed University Architect to succeed retiring Professor Howard Dwight Smith. As University Architect, Mr. Linch was a member of the Council on Business Affairs, chaired by the Vice President and Business Manager. Under his leadership, 71 buildings on the campus were constructed, remodeled or received major additions. During this period, the increased volume of construction forced a gradual shift of design work to off-campus architectural firms, with some design work continuing in-house. In this capacity, he gained the respect and admiration of the prominent professional and nonprofessional associates in the construction industry.

June 14, 1974 meeting, Board of Trustees

RESOLUTIONS IN MEMORIAM (continued)

C. William E. Linch (continued)

Mr. Linch retired from full-time service, effective July 1, 1966, and continued to serve the University as a Consulting Architect until December, 1969.

His many professional and community affiliations included membership in the First Community Church, the Downtown Rotary Club, the Players Club, the Faculty Club, the American Institute of Architects, and the Association of University Architects. Mr. Linch was one of a very select group of men to have been given the 33rd degree in Masonry and was a member of the Scottish Rite and Aladdin Temple Shrine.

On behalf of the University community, the Board of Trustees expresses to the family of Mr. Linch its deepest sympathy. It was directed that this resolution be inscribed in the minutes of the Board of Trustees and that a copy be tendered to Mrs. Linch as sincere appreciation of the Board's realization of the loss which the family, the University, his many friends and associates have sustained.

D. Richard C. Miller

The Board of Trustees of The Ohio State University expresses its sorrow at the death on April 20, 1974, of Richard C. Miller, Professor Emeritus in the Department of Agricultural Engineering.

Professor Miller was born in Jackson, Minnesota, on January 6, 1892. He began his career in Agricultural Engineering at Iowa State University where he received his B.S. degree in 1916. In the fall of 1916, he was employed as Extension Specialist in the Agricultural Engineering Department at The Ohio State University. This was followed by an Instructorship in the Department of Agricultural Engineering at Iowa State University, Ames, Iowa. In 1918, he entered military service and served as a Second Lieutenant in the Army Engineers Corps in France until the Spring of 1919. He then taught Mathematics, History, Drawing, and Agriculture in the Iowa Public School System from 1919 to 1923. He then joined the faculty at the North Dakota Agriculture College where he was instrumental in developing the Agricultural Engineering Department, as well as conducting research, teaching, and extension programs in Agricultural Engineering. In 1930, Professor Miller returned to The Ohio State University where he conducted a very active program of teaching, research, and extension in the Agricultural Engineering Department. He held this position until his retirement in 1962 to become Professor Emeritus.

Professor Miller was recognized as an outstanding teacher who managed to teach students how to "think." He was also recognized as a leader and a pioneer in research dealing with the artificial drying of crops such as ear corn, shelled corn, and alfalfa hay. He authored numerous technical papers, building plans, fact sheets, and popular articles on his work. Professor Miller was a member of the American Society of Agricultural Engineers, the American Society of Engineering Education, the Ohio Society of Professional Engineers, Tau Beta Pi, and Gamma Sigma Delta.

RESOLUTIONS IN MEMORIAM (continued)

D. Richard C. Miller (continued)

An OSU Agricultural Engineering "R. C. Miller Award" was established in 1972 to honor Professor Miller. The award is supported by gifts by former students, alumni, faculty, and friends of Agricultural Engineering. The award is given annually to the Junior in Agricultural Engineering who best exemplifies the mental qualities which Professor Miller sought to develop in his students.

On behalf of the University, the Board of Trustees expresses to his family its deepest sympathy and sense of understanding in its loss. It was directed that this resolution be inscribed upon the minutes of the Board of Trustees and that a copy be tendered to the family as a humble expression of the Board's heart-felt sympathy in its bereavement.

E. Gates S. Vickers

The Board of Trustees of The Ohio State University expresses its sorrow at the death on April 17, 1974, of Gates S. Vickers, Assistant Professor Emeritus in the Cooperative Extension Service.

Mr. Vickers was born on December 2, 1895, in Canajorie, New York. He received a Bachelor of Science in Agriculture degree from New Mexico State University in 1917. Following the receipt of a Master of Science degree from Cornell University in 1920 he joined the faculty at The Ohio State University as an Extension Poultry Specialist, a position he retained for seven years. In 1927 he joined the Ohio Poultry Improvement Association, a group responsible to the United States Department of Agriculture for poultry breeding and disease control work in the State of Ohio. Later he organized an industry-wide trade association, The Ohio Poultry Association, and served as its Executive Secretary. On July 1, 1961, Mr. Vickers rejoined The Ohio State University as an Assistant Professor and Extension Poultry Specialist, a position which he retained until retirement in 1966.

During his career in Ohio, Mr. Vickers instituted a certification program for the breeding value and disease control methods used in hatchery flocks that supplied the farmer with chicks for his farm production operation. Under his leadership the hatchery industry in Ohio led the nation in solving one of the major disease problems transmitted through the egg to the chick from the breeder flocks. Mr. Vickers was the co-author of the widely used textbook on hatchery management and as an Extension Poultry Specialist conducted an intensive program for determining the costs of egg production in Ohio that was one of the most comprehensive projects of its kind in the United States. Mr. Vickers was a dynamic speaker and writer and was considered to be a national authority on disease control problems of the hatchery industry.

On behalf of the University community, the Board of Trustees expresses to the family of Mr. Vickers its deepest sympathy. It was directed that this resolution be inscribed in the minutes of the Board of Trustees and a copy be tendered to Mrs. Vickers as sincere appreciation of the Board's realization of the loss which the family, the University, and his many friends and associates have sustained.

\*

\*

\*

June 14, 1974 meeting, Board of Trustees

President Enarson presented the following recommendations:

I. GENERAL RECOMMENDATIONS

A. Establishment of School of Public Administration

Upon the recommendations of the College of Administrative Science and the Council on Academic Affairs, the University Senate on May 14, 1974, approved the change in status for the Division of Public Administration to the School of Public Administration, effective July 1, 1974.

The Division of Public Administration was established July 1, 1968, to provide a professional school of public administration in a state-assisted institution of higher education in Ohio in accordance with the Master Plan for State Policy in Higher Education. The committees originally formed to study the need for education in public administration recommended a broad interdisciplinary curriculum that integrated contributions from many disciplines and fields in the graduate professional education of public administrators. Undergraduate programs were not included within the scope of the Division program as either originally or presently contemplated since current needs are best served by graduate instructional programs. Following the establishment of the Division, three graduate degree programs were approved: M. A., M. P. A., and Ph. D., with a field of specialization in Public Administration.

Since its inception this program has experienced a dramatic growth. Presently more than 170 graduate students are enrolled within the Division with over 3,000 student credit hours being taught in 1973-74.

President Enarson recommended that a School of Public Administration be established, effective July 1, 1974, in accordance with the University Senate's recommendation.

Upon motion of Mr. Gushman, seconded by Mr. Harrod, the Board of Trustees approved the foregoing recommendation by unanimous voice vote.

B. Establishment of an Associate of Arts Program

Upon the recommendations of the Senate of the Colleges of the Arts and Sciences and the Council on Academic Affairs, the University Senate approved the establishment of an Associate of Arts program at the meeting May 14, 1974.

The Associate of Arts Certificate will be awarded upon recommendation of the Faculty of the Arts and Sciences with the approval of the University Senate and the Board of Trustees.

The student will have a great deal of flexibility in designing an Associate of Arts program commensurate with his interests and abilities. It will signify a half-way point in the progression toward a baccalaureate degree only if the student, in consultation with his adviser, includes in his Associate of Arts

I. GENERAL RECOMMENDATIONS (continued)

B. Establishment of an Associate of Arts Program (continued)

program those foundational courses (programmatic prerequisites) needed to enable him to move without delay into the upper division portion of his program.

Awarding of the Associate of Arts Certificate in no way relieves the student of the responsibility to meet all University requirements, College requirements, and major program requirements of the baccalaureate program of his choice.

President Enarson recommended that an Associate of Arts program be established, effective upon the approval of the Board of Trustees, in accordance with the University Senate's recommendation.

Upon motion of Mr. Gushman, seconded by Mr. Harrod, the Board of Trustees approved the foregoing recommendation by unanimous voice vote.

C. Establishment of New Rule 29.2733 and Revision of Rules 28.01, 28.05, 28.07, 28.19, 29.2701, 29.2705, 29.2711, and 29.2721

The University Senate, at its meeting on May 14, 1974, approved changes in three Rules for the University Faculty, 29.2701 (Council on Academic Affairs), 29.2705 (Library Council), and 29.2721 (Committee on Academic Misconduct), relating to the membership, qualifications, and the manner of selecting the members on these Councils and Committee.

At this meeting held May 28, 1974, the University Senate approved the adoption of a new Rule 29.2733, establishing a Committee on Faculty Compensation and Benefits. At the same Senate meeting revisions were approved relating to the University Senate: 28.01 (Membership); 28.05 (Representation and Methods of Selection); 28.07 (Alternate Members); 28.19 (Committees); and 29.2711 (membership and the qualifications for service on the Athletic Council).

President Enarson recommended that the Rules for the University Faculty, as amended by the University Senate, be approved.

Upon motion of Mr. Harrod, seconded by Mr. Gushman, the Board of Trustees approved the foregoing recommendation by unanimous voice vote.

D. Honorary Degrees

Upon the recommendation of the Committee on Honorary Degrees, the University Senate at a meeting on May 14, 1974, approved and recommended to the Board of Trustees the following four persons for the honorary degrees as indicated:

Milton Arthur Caniff	Doctor of Humane Letters
Joseph Sandy Himes	Doctor of Science
Walter R. Krill	Doctor of Science
Robert M. Zollinger	Doctor of Science



Establishment of New Rule 29.2733 and Revision of Rules 28.01, 28.05, 28.07, 28.19, 29.2701, 29.2705, 29.2711, and 29.2721

The University Senate in meetings held on May 14, 1974 and May 28, 1974, approved the establishment of a new Rule 29.2733 and the revision of Rules 28.01, 28.05, 28.07, 28.19, 29.2701, 29.2705, 29.2711, and 29.2721 of Rules for the University Faculty. The text of the new Rule and sections of each Rule as modified are as follows:

29.2733. Committee on Faculty Compensation and Benefits.

A. Membership:

1. The committee shall consist of:

- a. Twelve elected faculty members, at least two of whom also shall be members of the Senate, to serve a three-year term with four to be elected each year;
- b. The Provost or his designee, ex officio;
- c. The Vice President for Business and Administration or his designee, ex officio; and
- d. Additional ex officio, non-voting members and consultants from the University, at the discretion of the committee.

B. Duties:

1. The committee shall study and regularly report to the Senate, no less than once each year, on the adequacy and other attributes of the University's policies and provisions for:
  - a. Salaries, outside professional services and supplemental compensation; and
  - b. Retirement benefits, hospitalization and medical insurance and other health benefits, life insurance, other insurance, travel reimbursement, educational benefits, recreational benefits, and other perquisites, benefits and conditions of faculty employment.
2. In accord with the two major areas of duties as specified under B above, the committee shall designate two standing sub-committees; one to concentrate on faculty salaries and related matters and the second to concentrate on faculty benefits.

C. Committee Review:

1. Prior to the end of its third year of existence, the committee shall present to the University Senate a report covering the role, structure, and functioning of the committee on recommendations for change.

28.01. Membership.

- b. Non-voting Members: Senate Members not entitled to vote on the floor of the Senate, but otherwise to participate in all Senate deliberations, shall include the University Ombudsman, the Director of Alumni Affairs, one representative elected by and from the Intra-University Counselors' Organization, the President of Undergraduate Student Government, the Vice President of Undergraduate Government, the President of the Council of Graduate Students, and the President of the Inter-Professional Council.

- o -

28.05. Representation and Methods of Selection.

- c. The 40 Student Members shall be apportioned and selected as follows:
1. 25 Undergraduate Students to be apportioned in the following manner:
    - 14 Fourteen students to be elected directly by their constituencies according to procedures to be determined by the Undergraduate Student Government to represent the following constituencies:
      - Apartment and Rooming House Districts  
(4 representatives)
      - Town Students (2 representatives)
      - North Campus Area (1 representative)
      - South Campus Area (1 representative)
      - West Campus Area (1 representative)
      - Fraternity and Sorority Houses (1 representative)
      - Regional Campuses (4 representatives)
    - 11 Eleven Student members to be elected according to procedures to be determined by the Undergraduate Student Government to represent the following:
      - One to represent each of the following colleges  
(10 representatives):  
The Arts, Biological Sciences, Humanities,  
Mathematics and Physical Sciences, Social  
and Behavioral Sciences, Administrative  
Science, Agriculture and Home Economics,  
Education, Engineering, Pharmacy;
      - One representing University College.
  2. 5 Five Student Members to be elected according to procedures to be determined by the Inter-Professional Council, one to represent each of the following graduate professional colleges:

28.05. Representation and Methods of Selection. (continued)

Dentistry	Optometry
Law	Veterinary Medicine
Medicine	

3. 10 Ten Student Members to be elected according to procedures to be determined by the Council of Graduate Students, one to represent each of the following graduate areas:

Administrative Science	Physical Sciences and
Agricultural Sciences	Mathematics
The Arts	Professional Biological
Biological Sciences	Sciences
Education	Social and Behavioral
Engineering Sciences	Sciences
Humanities	

4. In the event of a concurrent vacancy during the term of both the elected Student Member and his/her Alternate, the President with the advice and consent of his/her respective Council or governing body shall appoint a student from the Member's constituency.

- o -

28.07. Alternate Members.

- c. A Student Member shall designate an Alternate from his constituency in the following way:
1. The Student's runner-up in his/her Senatorial election shall be declared his/her Alternate by his/her Council or governing body.
    - a. In the event of a vacancy in the Alternate's position during the year the Student Member shall designate one from his/her constituency with the advice and consent of his/her Council or governing body.
  - d. Non-voting members (see Rule 28.01.b.) shall designate their Alternates from their respective constituencies or offices.

- o -

28.19. Committees.

1. Steering Committee

The Steering Committee shall consist of 13 members apportioned as follows: 6 Faculty, 1 elected Dean, 2 Administrators, and 4 Students. The Faculty representatives, 3 of whom shall be elected each year, and the elected Dean shall serve two-year terms and be ineligible for immediate re-election. The Student members shall serve one-year terms but be eligible for election to a second term. The representatives from the Administration shall be the Provost and the Vice President for Business and Administration. The (elected) members of the Steering Committee shall be chosen as follows:

The Faculty Membership shall nominate a slate of at least 3 and no more than 6 faculty representatives.

The representatives of the Administration shall nominate at least 1 and no more than 2 Deans when a new representative is to be elected.

The four Student Members shall be as follows:

- 1 The President of the Inter-Professional Council
- 1 The President of the Council of Graduate Students
- 1 The President of the Undergraduate Student Government
- 1 1 Elected from the Undergraduate Student Membership of the Senate

A special meeting of Members selected to serve for the following academic year shall be held in June for the purpose of electing the members of the Steering Committee. Written nominations shall be sent to the Membership at least seven days prior to this meeting. The Membership of the new Senate shall elect the Committee members from among these nominees and voting shall be by written ballot. For the period of time beginning with this election and ending with the start of the Autumn Quarter there will be two Steering Committees.

The Steering Committee shall select its Chairman from among the 6 faculty members of the Committee, and he shall serve for one year.

- o -

29.2701. Council on Academic Affairs.

Section 1. The Council on Academic Affairs shall consist of fourteen members.

- a. Five members of the University Faculty, at least two of whom must be Senate members, shall be nominated by the Faculty Membership and subject to confirmation by vote of the Senate for three-year terms; one member to be elected the first year and every third year thereafter, and two members to be elected in each of the other years.

Establishment of New Rule 29.2733 and Revision of Rules 28.01,  
28.05, 28.07, 28.19, 29.2701, 29.2705, 29.2711, and 29.2721 (continued)

29.2701. Council on Academic Affairs. (continued)

- b. Four members of the University Faculty shall be appointed by the President for three-year terms; two members to be appointed the first year and every third year thereafter, and one member to be appointed in each of the other years.
- c. A faculty member who has completed a three-year term on the Council shall not be eligible for appointment or election for one year after such service.
- d. Four members shall be students: one graduate student appointed by the President of the Council of Graduate Students with the approval of the Council of Graduate Students; one professional student appointed by the President of the Inter-Professional Council with the approval of the Inter-Professional Council; and two undergraduate students appointed by the President of the Undergraduate Student Government with the approval of the Undergraduate Student Assembly. At least one of the undergraduate students shall be a member of the University Senate. Each student member shall be appointed for a one-year term and be eligible for reappointment.
- e. When an unexpired term becomes vacant, the vacancy shall be filled in the same manner that the position was previously filled. A member selected to fill such a vacancy shall serve for the duration of the unexpired term.
- f. The Provost or his designee shall be the Chairman of the Council. The Vice Chairman of the Council shall be elected for a one-year term from the Faculty Membership of the Council. The Chairman (or in his absence, the Vice Chairman) shall preside at all meetings of the Council. The Chairman shall vote only in case of a tie vote among members of the Council present and voting; whereas the Vice Chairman shall vote without such restriction, even though presiding.

Section 2. No change

Section 6. No change

Section 3. No change

Section 7. No change

Section 4. No change

Section 8. No change

Section 5. No change

- o -

29.2705. The Library Council.

Section 1. The Library Council shall consist of eight members of the University Faculty, one of whom is a member of the Senate; the Vice President for Educational Services; the Vice Provost for Research and Dean of the Graduate School; the Director of Libraries; one graduate student appointed by the President of the Council of Graduate Students with the approval of the Council of Graduate Students; one professional student appointed by the President of the Inter-Professional Council with the approval of the Inter-Professional Council; and two undergraduate students appointed by the President of the Undergraduate Student Government with the approval of the Undergraduate Student Assembly. The President, on recommendation of the Vice President for Educational Services, shall appoint the eight faculty members for four-year terms, one or more to retire each year and to be ineligible for re-appointment during one year thereafter. Student members shall be appointed for one-year terms and be eligible for reappointment. The Chairman shall be elected from among the faculty members of the Library Council and he shall report to the University Senate.

Section 2. No change

Section 3. No change

Section 4. No change

Section 5. When an unexpired term becomes vacant, the vacancy shall be filled in the same manner that the position was previously filled. A member selected to fill such a vacancy shall serve for the duration of the unexpired term.

- o -

29.2711. Athletic Council.

Section 1. The Athletic Council shall consist of fourteen members, eight of whom shall be members of the University Faculty, two of whom shall be alumni of the University, and four of whom shall be students of the University. These members shall be selected as follows:

- a. One Faculty member shall be elected by the University Senate in the spring of each year at one of its regular meetings and one faculty member shall be appointed by the President each spring. The term of service for each shall be four years commencing July 1 following election or appointment; a member serving a full term may not be re-elected or re-appointed until one year has passed; the terms shall be staggered so that two members retire each year.
- b. The Alumni members shall be designated by The Ohio State University Association for a term of four years, the terms to be staggered so that one member retires every two years, and under such procedures as the Association shall adopt.

Establishment of New Rule 29.2733 and Revision of Rules 28.01,  
28.05, 28.07, 28.19, 29.2701, 29.2705, 29.2711, and 29.2721 (continued)

29.2711. Athletic Council. (continued)

- c. Two Undergraduate Student members shall be elected by the Undergraduate Student Government, one each year, for a term of two years under such procedures as the Undergraduate Student Government shall adopt. One student member shall be selected by the Council of Graduate Students for a term of one year under such procedures as the Council shall adopt. One student member shall be selected by the Inter-Professional Council for a term of one year under such procedures as the Council shall adopt.
- d. In the event of a vacancy in the membership of the Athletic Council, the vacancy will be filled for the unexpired term by the same method as that originally used to fill that position.

Section 2. No change

Section 3. No change

Section 4. No change

Section 5. No change

- o -

29.2721. Committee on Academic Misconduct.

Section 1. The Committee on Academic Misconduct shall consist of six members of the University Faculty, two representatives from the Council of Graduate Students (see Rule 53.0705), two undergraduate students, and without vote, the Assistant Vice President for Student Programs and Development (or his designee), ex officio. The Committee membership shall also include a Coordinator, appointed by the Provost, and charged with assisting the Committee in administrative matters. The Coordinator shall not participate in the decisions of the Committee. The six members of the University Faculty shall be elected by the Senate for a term of three years, the election to be held annually so that two members will retire each year. No member of the University Faculty shall serve more than two consecutive terms.

The graduate student members shall be appointed by the President of the Council of Graduate Students, with the approval of the Council of Graduate Students for a term of one year. The undergraduate student members shall be appointed by the President of the Undergraduate Student Government with the approval of the Undergraduate Student Assembly for a term of one year.

When an unexpired term becomes vacant, the vacancy shall be filled in the same manner that the position was previously filled. A member selected to fill such a vacancy shall serve for the duration of the unexpired term.

Section 2. No change

Section 3. No change

- o -

June 14, 1974 meeting, Board of Trustees

I. GENERAL RECOMMENDATIONS (continued)

D. Honorary Degrees (continued)

President Enarson recommended that the conferring of the above-named honorary degrees at the June Commencement be ratified.

Upon motion of Mr. Harrod, seconded by Mr. Kessler, the Board of Trustees approved the foregoing recommendation by unanimous voice vote.

E. Degrees and Certificates Conferred--Spring Quarter Commencement

President Enarson recommended that the awarding of degrees and certificates conferred at the Spring Quarter Commencement Convocation on June 7, 1974, to those students who had completed the requirements for their respective degrees and certificates and were recommended by the University Senate be ratified. The names of those awarded degrees and certificates are included in the minutes of this meeting. (See Appendix IV, page 557.)

Upon motion of Mr. Harrod, seconded by Mr. Gushman, the Board of Trustees approved the above recommendation by unanimous voice vote.

F. Establishment of the Charles H. Kimberly Professorship in Chemistry

Pursuant to the initial conditions set forth by the Board of Trustees at the January 14, 1965 meeting for the establishment of "Named Professorships," President Enarson recommended that the Kimberly Professorship in Chemistry be established at The Ohio State University.

A bequest of \$100,000 was made for the establishment of the Kimberly Professorship in Chemistry through the Charles H. Kimberly Trusts in full compliance with all conditions set forth by this Board at the time this bequest was made.

President Enarson recommended further that this bequest be accepted and that this designated professorship be appropriately named for the donor, the Charles H. Kimberly Professorship in Chemistry.

Upon motion of Mr. Kessler, seconded by Mr. Harrod, the Board of Trustees approved the foregoing recommendations by unanimous voice vote.

G. Establishment of the Charles H. Kimberly Professorship in Pharmacy

Pursuant to the initial conditions set forth by the Board of Trustees at the January 14, 1965 meeting for the establishment of "Named Professorships," President Enarson recommended that the Kimberly Professorship in Pharmacy be established at The Ohio State University.



June 14, 1974 meeting, Board of Trustees

I. GENERAL RECOMMENDATIONS (continued)

G. Establishment of the Charles H. Kimberly Professorship in Pharmacy (continued)

A bequest of \$100,000 is to be received through the Charles H. Kimberly Trusts for the establishment of a Kimberly Endowment for Pharmacy. It is deemed advisable to use this bequest and establish a Designated Professorship when the money is received and that this professorship be appropriately named for the donor, the Charles H. Kimberly Professorship of Pharmacy.

Upon motion of Mrs. James, seconded by Mr. Harrod, the Board of Trustees approved the foregoing recommendation by unanimous voice vote.

H. Budget for the 1974-1975 Fiscal Year and Increase in General Fee

President Enarson presented the following statement:

I am presenting the current funds budget for the second year of the biennium, 1974-1975, for your consideration and approval. The total expenditure level is expected to increase from \$284,500,000 in the current year to \$300,800,000 in 1974-1975, an increase of \$16,300,000 or 5.8 percent. Budgeted expenditures for the Columbus Campus and for the Regional Campuses are:

	<u>1973-1974</u>	<u>1974-1975</u>	<u>Increase</u>
Columbus Campus	\$278,300,000	\$294,000,000	\$15,700,000 (5.7%)
Regional Campuses	<u>6,200,000</u>	<u>6,800,000</u>	<u>600,000</u> (9.3%)
Total	\$284,500,000	\$300,800,000	\$16,300,000 (5.8%)

The recommended expenditure level of \$294,000,000 for the Columbus Campus for this coming year includes the following five major components:

1. Instruction and General Program: (48%) \$143,500,000
  - Departmental Instruction and Research
  - Instructional Services
  - Library Services
  - Student Services
  - General Expense
  - General Administration
  - Plant Operation

June 14, 1974 meeting, Board of Trustees

I. GENERAL RECOMMENDATIONS (continued)

H. Budget for the 1974-1975 Fiscal Year  
and Increase in General Fee (continued)

President Enarson's statement (continued)

2.	Sponsored Research: Federal, State and Private Contracts	(9%)	\$ 25,200,000
3.	Public Service: Cooperative Extension Service, Hospitals, Conferences	(27%)	79,300,000
4.	Student Aid: Federal Funds, Private Gifts, Endowment	(3%)	7,900,000
5.	Auxiliary Services: Housing, Bookstores, Parking, Athletics, Facility Services, Student Unions	(13%)	38,100,000
	Total	(100%)	\$294,000,000

The key budget for policy review by the Board of Trustees is the Instruction and General Program Budget. And it is essential to understand the main elements which govern the preparation of this budget.

Income for the Instruction and General Program is largely in direct proportion to students enrolled. Enrollment determines, for the most part, the level of state subsidy and the income from student charges. We are greatly encouraged by the current predictions for Fall, 1974. I am pleased to report that our enrollment applications are up from last year, except in the Graduate School, and now we must be concerned that we do not exceed the enrollment ceiling imposed by the General Assembly. Enrollment estimates are influenced by a number of factors--a variation of 2 percent in our enrollment estimate corresponds to 1,000 students. At this time, our best estimates of the enrollments for the Autumn Quarter are:

June 14, 1974 meeting, Board of Trustees

I. GENERAL RECOMMENDATIONS (continued)

H. Budget for the 1974-1975 Fiscal Year  
and Increase in General Fee (continued)

President Enarson's statement (continued)

	<u>Fall, 1973</u>	Estimated Range <u>Fall, 1974</u>	Estimates for Planning <u>Fall, 1974</u>
Columbus			
Undergraduate	36,545	36,000-37,200	37,000
Graduate School	8,067	7,800- 8,200	8,025
Professional Colleges	<u>2,656</u>	<u>2,700- 2,750</u>	<u>2,725</u>
Total	47,268	46,500-48,200	47,750
Regional Campuses	<u>4,350</u>	<u>4,350- 4,500</u>	<u>4,450</u>
Grand Total	51,491	50,800-52,700	52,200

The two principal sources of Instruction and General income are State of Ohio subsidy and student fees. Expected income from each of these two sources is determined from the enrollment estimates. The third source of Instruction and General revenue is within the category labeled "Other Instruction and General Income." It includes land-grant funds, departmental earnings from such areas as clinics, computer centers, laboratory services, publications, income from endowments and temporary investments, faculty released time, designated gifts, capitation grants, training grants, laboratory stores, general stores, print shop, laundry and food facility. Funds in the "Other Instruction and General" category are not, simply undesignated gift funds. The great bulk of these funds is accepted or earned for specific programs.

The expected Instruction and General income, by source, for the Columbus Campus for this coming year is as follows:

	<u>1973-1974</u>	<u>1974-1975</u>	<u>Increase</u>
State Subsidy	\$ 73,500,000	\$ 80,000,000	\$6,400,000 (8.7%)
Student Charges	43,700,000	45,100,000	1,400,000 (3.1%)
Other Income	<u>18,500,000</u>	<u>18,500,000</u>	<u>--</u>
Total Instruc- tion and General	\$135,800,000	\$143,500,000	\$7,700,000 (5.7%)

June 14, 1974 meeting, Board of Trustees

I. GENERAL RECOMMENDATIONS (continued)

H. Budget for the 1974-1975 Fiscal Year  
and Increase in General Fee (continued)

President Enarson's statement (continued)

The apparent increase of \$7,700,000 (5.7%) in the Instruction and General budget for 1974-1975 represents, in fact, a loss of real income. With inflation figured conservatively at from 8 to 9 percent for 1974-1975, this means the Instruction and General budget will suffer a loss in purchasing power of about 3 percent. We have fewer real, i. e., equivalent dollars available to educate the same or probably a slightly larger number of students. For the current biennium, our Instruction and General budget will increase only 4 percent, while its equivalent purchasing power will decrease approximately 10 percent.

Even to hold our losses to these levels has forced us to recommend an increase of \$10 per quarter in the General Fee. In making this recommendation, it is important to understand that the University operates under severe restraints on the Instruction and General Fees. A ceiling on the Instruction Fee was fixed with the enactment of the appropriations act for this biennium. We are at the ceiling for undergraduate students, \$210 per quarter. The General Fee, which has been held constant for four years, is at \$40 per quarter. The only leeway we have on the income side is to bring the General Fee to its ceiling level which will be comparable to that for most all other public universities in Ohio. In short, the prices we charge are frozen, yet the prices of goods and services are constantly rising. Thus, the faculty and staff generally face erosion of real income.

We are caught in the crunch between what amounts to controlled prices on what we charge and rapidly escalating prices for that which we must buy. This has forced us into extremely cruel choices in the use of available resources for 1974-1975.

Our objectives for the 1974-1975 budget are:

- a. An average adjustment of 6 percent in salaries for regular, continuing faculty; an average adjustment of 5 percent for other regular, continuing personnel, except classified personnel who receive increases according to S. B. 31. The slight differential between faculty and staff reflects our judgment that the catch-up situation for faculty salaries is more critical, even though major improvements in salaries are urgently needed for both faculty and staff.

June 14, 1974 meeting, Board of Trustees

I. GENERAL RECOMMENDATIONS (continued)

H. Budget for the 1974-1975 Fiscal Year  
and Increase in General Fee (continued)

President Enarson's statement (continued)

- b. A 0.5 percent adjustment in fringe benefits.
- c. A 0.5 percent for salary equity adjustments, e.g., minorities, women and intra-group inequities.
- d. Adjustments for unavoidable increases in operating costs, e.g., utilities, the opening of new buildings and minimum wage laws.
- e. One percent of the Instruction and General budget for minimally essential program flexibility (high-priority needs, matching fund opportunities, etc.)
- f. No increase in funds for travel, telephone, equipment and supplies.

Total required increase in Instruction and General budget: 7.7%

These objectives require an increase of 7.7 percent in the Instruction and General budget. However, even with the increase in the recommended student fees of \$10 per quarter, the increase in Instruction and General income next year is only 5.7 percent-- leaving a gap of 2 percent. To close this gap, existing budgets were reduced 2 percent "across the board." This cut will mean less employment, fewer dollars for equipment and supplies and reduced services.

Prices of books, equipment and supplies are increasing dramatically. Some of these increases which we experienced during this current year are:

Instructional and Research Equipment	20-25%
Instructional Supplies	12%
Books, Films, Tapes	15%
Serials	25%
Laboratory Chemicals	14%
Office Furniture	10%
Gasoline	74%
Heating Oil	90%
Natural Gas	25%

June 14, 1974 meeting, Board of Trustees

I. GENERAL RECOMMENDATIONS (continued)

H. Budget for the 1974-1975 Fiscal Year  
and Increase in General Fee (continued)

President Enarson's statement (continued)

Purchased Power	10%
Water and Sewage	7%
Food Purchases	12%
Computer Paper	62%
Fertilizers	37%
Photographic Supplies	14%

Stringent measures of economy are already under way within the University. Next year will be the third straight year for which departments of instruction have not had an increase in their budget allocations for equipment, travel, telephone and supplies. Departmental budgets have been required to absorb the increasing cost of phone services, postage, equipment, etc.

Our Energy Conservation Program is producing major savings in utility use. The consumption of fuels and electrical energy is being reduced by operating buildings at lower temperatures in the winter and at higher temperatures in the summer, the closure of certain buildings during low-use periods, the elimination of several large air conditioning projects, the lowering of light levels, the lowering of the domestic water temperature, the elimination of excess use of ventilation and the redesign of building systems to recover a portion of the thermal energy normally wasted to the outside environment or to cooling water. Specifically, our Energy Conservation Program is expected to produce a savings of over \$400,000 in utility costs for 1973-1974 (which is over 7 percent of the total utility cost of \$5,500,000) and a savings of about \$300,000 in 1974-1975.

A few examples of other economy measures which are being implemented include:

Elimination of 55 FTE positions in service areas.

A sizeable reduction in the number of University vehicles.

Reductions in the amount of overtime employment by adjustments in work schedule.

Selective reductions in services during the weekends.

Replacement of some police cruisers with motor-cycles, reduced motor patrol assignments and increased foot patrol assignments.

June 14, 1974 meeting, Board of Trustees

I. GENERAL RECOMMENDATIONS (continued)

H. Budget for the 1974-1975 Fiscal Year  
and Increase in General Fee (continued)

President Enarson's statement (continued)

Reduction in the amount of printed material, including a 25 percent reduction in the number of copies of college bulletins.

The development of a new computerized food management system to control the purchase, processing and preparation of food.

Economy measures across the whole range of activities are estimated to save over \$1,000,000 next year, with approximately one-half of these economies being direct savings to the Instruction and General budget.

Finally, I want to comment briefly on the other major budgets for 1974-1975. Sponsored research is expected to increase from \$22,900,000 in 1973-1974 to about \$25,200,000 next year, an increase of 3 percent. The proportion of grants and contracts being sponsored by non-federal agencies, including industrial and other commercial agencies, continues to increase. Budgeted expenditures for Public Service programs are up \$4,200,000 or 9 percent, primarily because of higher Hospital revenues. Budgets for Cooperative Extension are up \$1,400,000 or 11.6 percent; additional Smith-Lever funds allow significant improvements in salaries for faculty and staff in this area. Grants and contracts for other Public Service programs are expected to decline by about \$2,800,000. Federal support for vocational and technical education programs has decreased from a recent peak level. Auxiliary enterprise costs will increase by \$2,700,000 or 4.6 percent, reflecting the higher costs for food, fuel and services.

Regional Campus budgets have been developed using the same set of budget objectives as was applied to the Columbus Campus. Instruction and General expenditures for the Regional Campuses are expected to increase from \$6,200,000 in 1973-1974 to about \$6,800,000 or 9.3 percent, for this coming year. Some increases in enrollments was projected for these campuses, especially at the Agricultural Technical Institute. But the principal source of new funds will be from higher unit subsidies in Amended Substitute House Bill 86.

Now I wish to recommend that the budget for the fiscal year 1974-75 and that an increase in the student General Fee of \$10 per quarter, from \$40 to \$50, effective Autumn, 1974, be approved; and that the Secretary be instructed to incorporate all supporting

Sources of Income to Support the 1974-75 Budget

	<u>Estimated 1973-74</u>	<u>Budgeted 1974-75</u>
Columbus Campus		
Government Appropriations		
State of Ohio	\$ 89,730,000	\$ 97,933,000
Federal	<u>37,950,000</u>	<u>38,498,000</u>
Subtotal	\$127,680,000	\$136,431,000
Student Fees		
Instruction and General	\$ 43,735,000	\$ 45,080,000
Room and Board	<u>11,970,000</u>	<u>11,772,000</u>
Subtotal	\$ 55,705,000	\$ 56,852,000
Recovered Costs	\$ 5,430,000	\$ 5,541,000
Other Income		
Auxiliary Sales and Charges	\$ 65,810,000	\$ 66,459,000
Departmental and University Services	12,860,000	14,450,000
Endowment Income	2,660,000	2,600,000
Gifts and Grants	6,690,000	9,492,000
Temporary Investments	1,900,000	1,900,000
Other	<u>330,000</u>	<u>282,000</u>
Subtotal	\$ 90,250,000	\$ 95,183,000
Total Columbus Campus	<u>\$279,065,000</u>	<u>\$294,007,000</u>
Regional Campuses		
Lima Campus	\$ 1,656,000	\$ 1,758,000
Mansfield Campus	1,582,000	1,635,000
Marion Campus	946,000	1,026,000
Newark Campus	1,381,000	1,454,000
Agricultural Technical Institute	<u>761,000</u>	<u>943,000</u>
Total Regional Campuses	<u>\$ 6,326,000</u>	<u>\$ 6,816,000</u>
Grand Total	<u>\$285,391,000</u>	<u>\$300,823,000</u>



Budgeted Expenditures for the 1974-75 Year

	Estimated <u>1973-74</u>	Budgeted <u>1974-75</u>
Columbus Campus		
Instruction and General		
Departmental Instruction and Research	\$ 98,373,000	\$103,564,000
Instructional Services	1,993,000	2,154,000
Libraries	5,046,000	5,602,000
Student Services	3,763,000	4,191,000
Plant Operation	17,313,000	19,558,000
Institutional Expense	<u>9,285,000</u>	<u>8,435,000</u>
Total Instruction and General	<u>\$135,773,000</u>	<u>\$143,504,000</u>
Sponsored Research		
Research Foundation	\$ 17,320,000	\$ 18,540,000
Engineering Experiment Station	1,735,000	1,860,000
Research Administration	1,530,000	1,660,000
University Sponsored Research	1,447,000	1,773,000
Other Grants and Contracts	<u>859,000</u>	<u>1,379,000</u>
Total Sponsored Research	<u>\$ 22,891,000</u>	<u>\$ 25,212,000</u>
Public Services		
University Hospitals	\$ 46,721,000	\$ 50,907,000
Cooperative Extension Service	12,317,000	13,750,000
Other Grants and Contracts	13,874,000	11,058,000
University Sponsored Programs	2,847,000	2,398,000
Conferences	<u>1,200,000</u>	<u>1,200,000</u>
Total Public Services	<u>\$ 76,959,000</u>	<u>\$ 79,313,000</u>
Student Aid		
Scholarships and Loans	\$ 5,375,000	\$ 7,007,000
Fee Remissions	<u>900,000</u>	<u>900,000</u>
Total Student Aid	<u>\$ 6,275,000</u>	<u>\$ 7,907,000</u>
Auxiliaries		
Student Housing	\$ 15,306,000	\$ 15,520,000
Intercollegiate Athletics	6,560,000	6,625,000
University Bookstores	3,150,000	3,534,000
Facilities Services	2,101,000	2,630,000
Meats Laboratory	1,887,000	1,758,000
Parking Facilities	1,676,000	1,725,000
Student Health Services	1,354,000	1,492,000
Student Unions	1,828,000	1,827,000
University Airport	1,025,000	1,251,000
Fawcett Center for Tomorrow	1,023,000	1,109,000
Other	<u>510,000</u>	<u>629,000</u>
Total Auxiliaries	<u>\$ 36,420,000</u>	<u>\$ 38,100,000</u>
Total Columbus Campus	<u>\$278,318,000</u>	<u>\$294,036,000</u>

Budgeted Expenditures for the 1974-75 Year (continued)

	<u>Estimated</u> <u>1973-74</u>	<u>Budgeted</u> <u>1974-75</u>
Regional Campuses		
Administration	\$ 116,000	\$ 125,000
Lima Campus	1,549,000	1,690,000
Mansfield Campus	1,535,000	1,634,000
Marion Campus	963,000	1,037,000
Newark Campus	1,323,000	1,407,000
Agricultural Technical Institute	<u>748,000</u>	<u>923,000</u>
Total Regional Campuses	<u>\$ 6,234,000</u>	<u>\$ 6,816,000</u>
Grand Total	<u><u>\$284,552,000</u></u>	<u><u>\$300,852,000</u></u>

Schedule of Student Fees, Effective Autumn Quarter, 1974

	<u>Credit Hours Enrolled</u>	<u>Instruc- tional</u>	<u>General</u>	<u>Resident Total</u>	<u>Out-of-State Tuition</u>	<u>Non- Resident Total</u>						
Administrative Science	}											
Agriculture and Home Economics												
Allied Medical Professions												
Architecture												
Biological Sciences												
Continuing Education												
Dental Hygiene												
Education												
Engineering												
Health, Physical							0-3	\$ 54	\$12	\$ 66	\$ 90	\$156
Education and Recreation							4	72	16	88	120	208
Humanities							5	90	20	110	150	260
Journalism							6	105	25	130	175	305
Mathematics and Physical Sciences							7 or more	210	50	260	350	610
Music												
Natural Resources												
Nursing												
Pharmacy												
Social and Behavioral Sciences												
Social Work												
The Arts												
University College												
Dentistry							0-3	\$ 69	\$12	\$ 81	\$ 90	\$171
Graduate School							4	92	16	108	120	228
Law							5	115	20	135	150	285
Medicine	6	135	25	160	175	335						
Optometry	7 or more	270	50	320	350	670						
Veterinary Medicine												
University Regional Campuses	0-3	\$ 51	\$ 9	\$ 60	\$ 90	\$150						
	4	68	12	80	120	200						
	5	85	15	100	150	250						
	6	100	18	118	175	293						
	7 or more	200	35	235	350	585						

Full-time students (those enrolled in any quarter, term, or period for seven or more hours) will be assessed full fees. Fees for student enrolled for six or fewer hours in any quarter, term, or period shall be assessed on a per credit hour of enrollment basis, with the minimum fee for three or fewer hours being the fee computed for three hours.

Schedule of Student Fees, Effective Autumn Quarter, 1974

College or School	Instructional	General	Resident Total	Out-of-State Tuition	Non- Resident Total
Administrative Science	\$210	\$50	\$260	\$350	\$610
Agriculture and Home Economics	210	50	260	350	610
Arts and Sciences					
The Arts	210	50	260	350	610
Biological Sciences	210	50	260	350	610
Humanities	210	50	260	350	610
Mathematics and Physical Sciences	210	50	260	350	610
Social and Behavioral Sciences	210	50	260	350	610
Education	210	50	260	350	610
Engineering	210	50	260	350	610
Graduate School	270	50	320	350	670
Dentistry	270	50	320	350	670
Dental Hygiene	210	50	260	350	610
Law	270	50	320	350	670
Medicine	270	50	320	350	670
School of Allied Medical Professions	210	50	260	350	610
School of Nursing	210	50	260	350	610
Optometry	270	50	320	350	670
Pharmacy	210	50	260	350	610
Veterinary Medicine	270	50	320	350	670
University College	210	50	260	350	610
University Regional Campuses	200	35	235	350	585

June 14, 1974 meeting, Board of Trustees

I. GENERAL RECOMMENDATIONS (continued)

H. Budget for the 1974-1975 Fiscal Year  
and Increase in General Fee (continued)

President Enarson's statement (continued)

documents by reference, including the salary rolls and the inventory of fees and charges for the fiscal year 1974-1975, and to file these materials with the official records of the University.

Upon motion of Mr. Hilliker, seconded by Dr. Sirak, the Board of Trustees approved the foregoing recommendations by unanimous roll call vote.

\*

\*

\*

II. PERSONNEL ACTIONS

Personnel actions since the May 3, 1974 meeting of the Board as recorded in the official "Salary Roll" of the University, include the following: Appointments, Retirement; Resignations; Leaves of Absence Without Salary; Emeritus Titles; and Appointment of Chairmen of Departments, Academic Faculties and Divisions, and Directors of Schools.

A. Appointments

L. Orin Slagle, Acting Dean, College of Law, effective July 1, 1974, at a salary of \$37,128.00 per annum.

Elsie J. Alberty, Professor and Chairman, Academic Faculty of Curriculum and Foundations, effective July 1, 1974, at a salary of \$26,436.00 per annum.

Felix P. Kollaritsch, Professor and Chairman, Academic Faculty of Accounting, effective October 1, 1974, at a salary of \$22,488.00 per annum.

Glen H. Schmidt, Professor and Chairman (part time - 65 percent), Department of Dairy Science, and Professor (part time - 15 percent), Cooperative Extension Service, effective August 15, 1974, at a combined salary of \$24,168.00 per annum. Dr. Schmidt will hold an appointment as Professor (part time - 20 percent) at the Ohio Agricultural Research and Development Center.

Clayton K. Lowe, Associate Professor and Chairman, Department of Photography and Cinema, effective July 1, 1974, at a salary of \$25,452.00 per annum.

June 14, 1974 meeting, Board of Trustees

II. PERSONNEL ACTIONS (continued)

A. Appointments (continued)

William M. Protheroe, Professor and Acting Chairman, Department of Astronomy, effective October 1, 1974, at a salary of \$21,768.00 per annum with an additional \$963.00 for the period October 1, 1974 through June 30, 1975, for serving as Acting Chairman.

Luvern L. Cunningham, Professor (Novice G. Fawcett Chair of Educational Administration), Academic Faculty of Educational Administration, effective October 1, 1974, at a salary of \$30,408.00 per annum.

Jack G. Calvert, Professor (Kimberly Professor of Chemistry), Department of Chemistry, effective October 1, 1974, at a salary of \$38,328.00 per annum.

Morgan E. Shipman, Professor (John W. Bricker Professorship), College of Law, effective October 1, 1974, at a salary of \$35,568.00 per annum.

Samuel C. Ashcroft, Program Director, National Center on Educational Media and Materials for the Handicapped, effective August 15, 1974, at a salary of \$31,968.00 per annum. He will hold an academic appointment as Professor in the Academic Faculty of Exceptional Children at No Salary.

Within the Office of Business and Administration the following major administrative reassignments were recommended, effective July 1, 1974:

Madison H. Scott from Executive Director of Personnel Services to Associate Vice President for Personnel Services.

Thomas B. Smith from Assistant Vice President of Physical Facilities to Associate Vice President for Physical Facilities.

Weldon E. Ihrig from Executive Director of Administrative Systems to Assistant Vice President for Administration.

Charles R. Gambs, Jr., from Executive Assistant to the Vice President for Business and Administration to the newly created position of University Contracts Officer.

June 14, 1974 meeting, Board of Trustees

II. PERSONNEL ACTIONS (continued)

A. Appointments (continued)

Within the College of Medicine, the following administrative assignments were recommended, effective July 1, 1974:

Henry G. Cramblett currently Dean of the College of Medicine, to serve also as Acting Vice President for Medical Affairs, at a salary of \$45,168.00 per annum.

David L. Steffy currently Hospital Administrator, to serve also as Acting Director of Administrative Services, The Ohio State University Hospitals, at a salary of \$23,808.00 per annum.

President Enarson said, "These two changes in administrative duties are interim appointments. At an early date, I will be bringing to the Board of Trustees a recommendation for the administrative reorganization of the health sciences in the University."

B. Retirement

Richard L. Meiling will retire from the position of Vice President for Medical Affairs, effective June 30, 1974. Dr. Meiling's retirement from the position as Vice President is pursuant to the policy of this Board. Dr. Meiling will also retire as Professor in the Department of Obstetrics and Gynecology, effective the same date.

C. Resignations

Robert G. Smith has resigned as Vice President for University Development, effective August 31, 1974, to pursue further professional development.

Arliss L. Roaden has resigned as Vice Provost for Research and Dean of the Graduate School, effective August 31, 1974. Dr. Roaden recently has been appointed President of Tennessee Technological University, Cookeville, Tennessee.

June 14, 1974 meeting, Board of Trustees

II. PERSONNEL ACTIONS (continued)

C. Resignations (continued)

G. Edwin Howe has resigned as Director of Administrative Services, The Ohio State University Hospitals, effective June 30, 1974, to accept a position as President of St. Luke's Hospital, Milwaukee, Wisconsin.

D. Leaves of Absence Without Salary

Charles L. Babcock, Professor, Department of Classics, effective October 1, 1974 through December 31, 1974, to serve as Professor-in-Charge of the Intercollegiate Center in Rome.

Samuel C. Chu, Professor, Department of History, effective January 1, 1975 through September 30, 1975, to accept a research grant from the American Council of Learned Societies.

Bradley M. Richardson, Professor, Department of Political Science, effective October 1, 1974 through December 31, 1974, to accept a Japan Foundation Research Fellowship, and April 1, 1975 through September 30, 1975, to accept a Social Science Research Foundation grant.

Arne E. Slettebak, Professor and Chairman, Department of Astronomy, effective January 1, 1975 through September 30, 1975, to accept a Guest Professorship at the University of Vienna Observatory, Vienna, Austria.

E. Emeritus Titles

Richard L. Meiling, Office of Medical Affairs, with the title Vice President Emeritus, effective July 1, 1974, and Department of Obstetrics and Gynecology, with the title Professor Emeritus, effective July 1, 1974.

Paul M. Pepper, Department of Industrial and Systems Engineering, with the title Professor Emeritus, effective July 1, 1974.

Robert M. Zollinger, Department of Surgery, with the title Professor Emeritus, effective July 1, 1974.



June 14, 1974 meeting, Board of Trustees

II. PERSONNEL ACTIONS (continued)

F. Chairmen of Departments, Academic Faculties,  
and Divisions, and Directors of Schools

Reappointment of the following persons to terms as Chairmen of Departments, Academic Faculties, and Divisions, and Directors of Schools, effective as indicated:

July 1, 1974 through June 30, 1978

Allied Medical Professions, School of	Robert J. Atwell
Architecture, School of	L. C. Gerckens
Aviation	Jack J. Eggspuehler
Curriculum and Foundations	Elsie Alberty <sup>(1)</sup>
Horticulture	Howard A. Rollins, Jr.
Industrial and Systems Engineering	Albert B. Bishop <sup>(1)</sup>
Journalism, School of	William H. Hall
Pharmacology	Joseph R. Bianchine <sup>(1)</sup>
Physiology	Heinz P. Pieper <sup>(1)</sup>
Preventive Medicine	Harold V. Ellingson
Psychology	Samuel H. Osipow <sup>(1)</sup>
Slavic Languages and Literatures	David F. Robinson <sup>(1)</sup>
Social Work, School of	Richard Medhurst
Statistics	D. Ransom Whitney
Veterinary Anatomy	Walter G. Venzke <sup>(2)</sup>

July 1, 1974 through June 30, 1975

Administrative and Social Sciences (Pharmacy)	T. Donald Rucker
Clinical Pharmacy and Professional Practice (Pharmacy)	Clifton J. Latiolais
History of Art	Franklin M. Ludden
Management Science	Robert Miljus
Medicinal Chemistry (Pharmacy)	Donald T. Witiak
Pharmaceutics and Pharmaceutical Chemistry (Pharmacy)	Louis Malspeis
Pharmacognosy and Natural Products (Pharmacy)	Jack L. Beal
Pharmacology (Pharmacy)	Harold H. Wolf
Veterinary Preventive Medicine	John A. Helwig <sup>(3)</sup>

(1) New appointment.

(2) Through June 30, 1977, consistent with mandatory retirement date.

(3) Through June 30, 1975, consistent with mandatory retirement date.

June 14, 1974 meeting, Board of Trustees

II. PERSONNEL ACTIONS (continued)

F. Chairmen of Departments, Academic Faculties  
and Divisions, and Directors of Schools (continued)

October 1, 1974 through September 30, 1978

Art Education	Kenneth Marantz
Astronomy	Arne E. Slettebak
Public Administration	Clinton V. Oster

October 1, 1974 through September 30, 1977

Accounting	Felix P. Kollaritsch <sup>(1)</sup>
------------	-------------------------------------

Acting Chairmen of Departments and Acting Chairman of an Academic Faculty, effective as indicated:

July 1, 1974 through June 30, 1975

Vocational and Technical Education	Aaron Miller <sup>(1)</sup>
------------------------------------	-----------------------------

July 1, 1974 until a permanent Chairman is named

Medical Microbiology	Frank Kapral
Obstetrics and Gynecology	Garth F. Essig
(New Chairman assumes duties December 1, 1974)	
Pathology	Colin Macpherson

<sup>(1)</sup>New appointment.

President Enarson recommended that the Appointments; Retirement; Resignations; Leaves of Absence Without Salary; Emeritus Titles; Appointments of Chairmen of Departments, Academic Faculties, and Divisions, and Directors of Schools; and the personnel budget actions as recorded in the "Salary Roll" of the University be approved.

Upon motion of Mr. Harrod, seconded by Dr. Sirak, the Board of Trustees approved the foregoing recommendation by unanimous roll call vote, and the Secretary was instructed to file these changes in the "Salary Roll," an official document of the University.

\*

\*

\*

June 14, 1974 meeting, Board of Trustees

III. REPORT OF RESEARCH CONTRACTS, GRANTS, GIFTS, AND AGREEMENTS

President Enarson recommended that the following contracts and grants negotiated and monies received for the month of April 1974 be accepted.

Summary for April 1974

	No. of Projects	Support Level
Office of Business and Administration	42	\$1,773,146.00
The Ohio State University Research Foundation	35	1,005,658.00
The Engineering Experiment Station	5	<u>126,958.00</u>
Total		\$2,905,762.00
(Donors)		
The Ohio State University Development Fund	703	\$ 296,948.01

A detailed listing of the items in each section is shown on the following pages.

Upon motion of Mr. Gushman, seconded by Dr. Sirak, the research agreements between The Ohio State University and The Ohio State University Research Foundation for the contracts and grants reported herein, and the acceptance of the report from the Office of Business and Administration and The Ohio State University Development Fund, including the establishment of named funds, was approved by unanimous voice vote.

III. REPORT OF RESEARCH CONTRACTS, GRANTS, GIFTS, AND AGREEMENTS  
(continued)

A. The Office of Business and Administration

1. Federal Contracts/Grants

- a. \$183,000.00 granted by Department of Health, Education, and Welfare, Office of Education, Washington, D. C., for Continued Development of Individualized and Field-Based Preparation Programs for Personnel Serving the Handicapped, under the direction of Academic Faculty for Exceptional Children, for period June 1, 1974 through May 31, 1975. (Grant No. OEG-0-74-2749)
- b. \$170,639.00 granted by Department of Health, Education, and Welfare, Public Health Service, Bethesda, Maryland, for Family Centered Practicum - Developmental Disabilities - Training Grant, under the direction of Nisonger Center, for period July 1, 1974 through June 30, 1976. (Grant No. 5 D12 AH00135-04)
- c. \$157,143.00 granted by Department of Health, Education, and Welfare, Public Health Service, Bethesda, Maryland, for Medical Communications Division - Training Grant, under the direction of School of Allied Medical Professions, for period July 1, 1974 through June 30, 1976. (Grant No. 5 D12 AH00340-04)
- d. \$145,746.00 granted by Department of Health, Education, and Welfare, Public Health Service, Bethesda, Maryland, for Cardiovascular Training Program - Training Grant, under the direction of Department of Medicine, for period April 1, 1974 through June 30, 1975. (Grant No. 3 T01 HL05968-02S1)
- e. \$105,645.00 granted by Department of Health, Education, and Welfare, Office of Education, Washington, D. C., for Identification and Assessment of Existing Models of Cooperative Industry and State Administered Adult Education Programs, under the direction of Center for Vocational and Technical Education, for period July 1, 1974 through June 30, 1975. (Grant No. OEG-0-74-1812)
- f. \$94,593.00 granted by Department of Health, Education, and Welfare, Public Health Service, Bethesda, Maryland, for Otolaryngology and Audiology - Training Grant, under the direction of Department of Otolaryngology, for period July 1, 1974 through June 30, 1975. (Grant No. 5 T01 NS05397-12)
- g. \$89,477.00 additional grant from Department of Health, Education, and Welfare, Office of Education, Washington, D. C., for Development Delayed Infant Education Outreach Project, under the direction of Nisonger Center for Mental Retardation, for period July 1, 1974 through June 30, 1975. (Grant No. OEG-0-73-5583, Revision No. 1)

III. REPORT OF RESEARCH CONTRACTS, GRANTS, GIFTS, AND AGREEMENTS

(continued)

A. The Office of Business and Administration (continued)

1. Federal Contracts/Grants (continued)

- h. \$87,511.00 granted by Department of Health, Education, and Welfare, Public Health Service, Bethesda, Maryland, for Research and Faculty Training in Dental Anesthesiology - Training Grant, under the direction of College of Dentistry, for period July 1, 1974 through June 30, 1975. (Grant No. 5 T01 DE00291-03)
- i. \$65,000.00 additional grant from Department of Health, Education, and Welfare, Office of Education, Washington, D. C., for Higher Education Act, Title IX-B, College Teacher Fellowships, under the direction of Graduate School, for period September 1, 1974 through August 31, 1975. (Grant No. OEG-0-73-2637, Revision No. 2)
- j. \$61,612.00 granted by Department of Health, Education, and Welfare, Public Health Service, Bethesda, Maryland, for Parasitology and Medical Entomology - Training Grant, under the direction of Department of Entomology, for period July 1, 1974 through June 30, 1975. (Grant No. 5 T01 AI00216-14)
- k. \$50,016.00 granted by Department of Health, Education, and Welfare, Public Health Service, Chicago, Illinois, for Graduate Preparation for Leadership in Child Health Services, under the direction of School of Nursing, for period June 1, 1974 through May 31, 1975. (Project No. 05 D 000292-050; Former No. 5D10NU00429-04)
- l. \$45,467.00 granted by Department of Health, Education, and Welfare, Public Health Service, Bethesda, Maryland, for Postdoctoral Training in Neurological Surgery - Training Grant, under the direction of Department of Surgery, for period July 1, 1974 through June 30, 1975. (Grant No. 5 T01 NS05529-09)
- m. \$45,000.00 granted by Department of Health, Education, and Welfare, Office of Education, Washington, D. C., for A Competency Based Model for the Preparation of Teachers of Very Young Handicapped Children, under the direction of School of Home Economics, for period June 1, 1974 through May 31, 1975. (Grant No. OEG-0-74-2728)
- n. \$43,848.00 granted by Department of Health, Education, and Welfare, Public Health Service, Health Resources Administration, Bureau of Health Resources Development, Bethesda, Maryland, for Nursing Student Scholarships (Baccalaureate), under the direction of School of Nursing, for period July 1, 1973 through June 30, 1975. (I. D. No. 05L390029-74 BHL 83; Former No. B 7 45 0430 15 1)

III. REPORT OF RESEARCH CONTRACTS, GRANTS, GIFTS, AND AGREEMENTS

(continued)

A. The Office of Business and Administration (continued)

1. Federal Contracts/Grants (continued)

- o. \$39,422.00 additional grant from Department of Health, Education, and Welfare, Public Health Service, Bethesda, Maryland, for Biomedical Support Grant, under the direction of Graduate School, for period June 1, 1973 through May 31, 1974. (Grant No. 3 S05 RR07074-08S1)
- p. \$26,000.00 granted by Department of Health, Education, and Welfare, Office of Education, Washington, D. C., for Special Education Component in University-Affiliated Facility, under the direction of Nisonger Center for Mental Retardation, for period June 1, 1974 through May 31, 1975. (Grant No. OEG-0-74-2731)
- q. \$25,603.00 additional grant from Department of Health, Education, and Welfare, Public Health Service, Bethesda, Maryland, for Undergraduate Psychiatry - Training Grant, under the direction of Department of Psychiatry, for period May 1, 1974 through June 30, 1974. (Grant No. 3 T02 MH05924-22S1)
- r. \$23,748.00 granted by Department of Health, Education, and Welfare, Public Health Service, Bethesda, Maryland, for Pathology of Myocardial Hypertrophy and Failure, Development Award - Research Career Program, under the direction of Department of Pathology, for period July 1, 1974 through June 30, 1975. (Grant No. 5 K04 HL70248-03)
- s. \$23,035.00 additional grant from Department of Health, Education, and Welfare, Public Health Service, Bethesda, Maryland, for Psychiatric Social Work MSW - Training Grant, under the direction of School of Social Work, for period May 1, 1974 through June 30, 1974. (Grant No. 3 T01 MH06530-16S2)
- t. \$20,000.00 additional grant from Department of Health, Education, and Welfare, Office of Education, Washington, D. C., for College Work-Study Program, for period July 1, 1973 through June 30, 1974. (NIH Grantee No. 766505)
- u. \$13,871.00 additional grant from Department of Health, Education, and Welfare, Public Health Service, Bethesda, Maryland, for Social Work - Community Organization - Training Grant, under the direction of School of Social Work, for period May 1, 1974 through June 30, 1974. (Grant No. 3 T01 MH10789-07S1)

III. REPORT OF RESEARCH CONTRACTS, GRANTS, GIFTS, AND AGREEMENTS  
(continued)

A. The Office of Business and Administration (continued)

1. Federal Contracts/Grants (continued)

- v. \$12,598.00 additional grant from Department of Health, Education, and Welfare, Public Health Service, Bethesda, Maryland, for Oncology Training Program - Training Grant, under the direction of Department of Medicine, for period July 1, 1973 through June 30, 1974. (Grant No. 3 T01 CA05192-06S1)
- w. \$9,438.00 additional grant from Department of Health, Education, and Welfare, Public Health Service, Bethesda, Maryland, for Undergraduate Psychiatric Nursing - Training Grant, under the direction of School of Nursing, for period May 1, 1974 through June 30, 1974. (Grant No. 3 T02 MH06375-17S1)
- x. \$8,378.00 additional grant from Department of Health, Education, and Welfare, Public Health Service, Bethesda, Maryland, for Psychiatry (Child) - Training Grant, under the direction of Department of Psychiatry, for period May 1, 1974 through June 30, 1974. (Grant No. 3 T01 MH11296-06S1)
- y. \$7,848.00 granted by Department of Health, Education, and Welfare, Public Health Service, Health Resources Administration, Bureau of Health Resources Development, Bethesda, Maryland, for Nursing Student Loans and Scholarships, under the direction of School of Nursing, for period July 1, 1973 through June 30, 1975 (Scholarships) and July 1, 1973 through June 30, 1974 (Loans). (I. D. No. 05L390068-74 BHL84; Former No. G 7 45 0430 15 1)
- z. \$7,193.00 additional grant from Department of Health, Education, and Welfare, Public Health Service, Bethesda, Maryland, for Cardiovascular Physiology - Training Grant, under the direction of Department of Physiology, for period April 1, 1974 through June 30, 1975. (Grant No. 3 T01 HL05843-05S1)
- aa. \$6,709.00 granted by Department of Health, Education, and Welfare, Office of Education, Washington, D. C., for Manpower Information Research Training Project, under the direction of Academic Faculty of Vocational-Technical Education, for period July 1, 1974 through December 31, 1974. (Grant No. OEG-0-74-1677)
- bb. \$5,000.00 additional grant from Department of Health, Education, and Welfare, Office of Education, Washington, D. C., for Supplemental Educational Opportunity Grants Program, for period July 1, 1973 through June 30, 1974. (NIH Grantee No. 766505)

TOTAL - Federal Contracts/Grants \$1,573,540.00

III. REPORT OF RESEARCH CONTRACTS, GRANTS, GIFTS, AND AGREEMENTS  
(continued)

A. The Office of Business and Administration (continued)

2. State of Ohio Contracts/Grants

- a. \$47,000.00 granted by Ohio Board of Regents, Columbus, Ohio, for Columbus Public Awareness Program, under the direction of College of Administrative Science, Division of Continuing Education. (Project No. 74-944-009)
- b. \$22,289.00 granted by State of Ohio, Department of Education, Division of Vocational Education, Agricultural Education Service, Columbus, Ohio, for Technical Workshops in Vocational Education in Agriculture, under the direction of Department of Agricultural Education.
- c. \$20,000.00 granted by Ohio Board of Regents, Columbus, Ohio, for Training Professionals to Work with the Educationally Disadvantaged Adults of Newark, Ohio, under the direction of The Ohio State University Newark Campus. (Project No. 74-944-010)
- d. \$16,200.00 granted by State of Ohio, Department of Natural Resources, Division of Wildlife, Columbus, Ohio, for Study of the Kinetics of an Atomic Power Reactor Effluent into a Freshwater Marsh, under the direction of Department of Zoology, for period July 1, 1974 through June 30, 1975. (Project No. W-104-R-17)
- e. \$14,000.00 granted by State of Ohio, Department of Natural Resources, Columbus, Ohio, for Effects of Channelization on Terrestrial Vegetation and Vertebrates of the South Fork of Gordon Creek, under the direction of Department of Zoology, for period April 1, 1974 through March 31, 1976.
- f. \$10,000.00 additional grant from State of Ohio, Department of Education, Columbus, Ohio, for Governance of Education: State Structures, Processes, and Relationships, under the direction of Academic Faculty of Educational Administration, for period October 1, 1973 through August 31, 1974.
- g. \$9,250.00 granted by State of Ohio, Department of Natural Resources, Division of Wildlife, Columbus, Ohio, for study of Toxic Metals in Ohio Wildlife, under the direction of Department of Zoology, for period July 1, 1974 through June 30, 1975. (Project No. W-103-R-18)



III. REPORT OF RESEARCH CONTRACTS, GRANTS, GIFTS, AND AGREEMENTS

(continued)

A. The Office of Business and Administration (continued)

2. State of Ohio Contracts/Grants (continued)

- h. \$7,200.00 granted by State of Ohio, Department of Natural Resources, Division of Wildlife, Columbus, Ohio, for An Analysis of Public Use of State Wildlife Areas in Ohio, under the direction of Department of Zoology, for period July 1, 1974 through June 30, 1975. (Project No. W-126-R-1)
- i. \$5,700.00 granted by State of Ohio, Department of Natural Resources, Division of Wildlife, Columbus, Ohio, for Survey of Public Attitudes Concerning Hunting, under the direction of Department of Zoology, for period July 1, 1974 through June 30, 1975. (Project No. W-125-R-2)
- j. \$4,500.00 granted by State of Ohio, Department of Economic and Community Development, Administration of Justice Division, Columbus, Ohio, for Radio Equipment - Mansfield Campus, under the direction of The Ohio State University Mansfield Campus. (Grant No. 3166-02-A7-73)

TOTAL - State of Ohio Contracts/Grants \$156,139.00

3. Industrial and Other Contracts/Grants

- a. \$29,500.00 granted by Council on Legal Education for Professional Responsibility, Inc., New York, New York, for Joint Clinical Program Involving the College of Law and Laborers' International Union, Local 423, under the direction of College of Law, for period July 1, 1974 through June 30, 1976. (Grant No. 74-18)
- b. \$5,800.00 granted by Marshall County Schools, Moundsville, West Virginia, for Student Scheduling at John Marshall High School, under the direction of Academic Faculty of Educational Administration.
- c. \$5,167.00 additional grant from State of Wisconsin, Board of Vocational, Technical and Adult Education, Madison, Wisconsin, for Assessment of the Impact of the Wisconsin Research Coordinating Unit, under the direction of Center for Vocational and Technical Education, for period January 1, 1974 through June 30, 1974. (Project No. 19-013-151-224)
- d. \$3,000.00 granted by The Rockefeller Foundation, New York, New York, for study of Social Science as a Transnational System, under the direction of Graduate School, for period March 1, 1974 through September 30, 1974. (GA SS 7419)

TOTAL - Industrial and Other Contracts/Grants \$43,467.00

III. REPORT OF RESEARCH CONTRACTS, GRANTS, GIFTS, AND AGREEMENTS  
(continued)

B. The Ohio State University Research Foundation

1. Federal Research Contracts/Grants

- a. \$133,899.00 from Department of Health, Education, and Welfare, Public Health Service, National Institutes of Health, National Heart and Lung Institute, Bethesda, Maryland, for Physiology of Renin, Aldosterone, and Prostaglandin, under the direction of Department of Medicine, for period April 1, 1974 through March 31, 1976. (Project 3209-A4 - Ext. #3)
- b. \$121,630.00 from Department of Health, Education, and Welfare, Public Health Service, National Institutes of Health, National Library of Medicine, Bethesda, Maryland, for Participation in the Biomedical Data Network (BDN), under the direction of College of Medicine, for period June 28, 1972 through May 31, 1975. (Project 3497-A1 - Mod. #4)
- c. \$94,000.00 from Department of the Navy, Office of Naval Research, Arlington, Virginia, for Research on Computer Data Base Systems, under the direction of Department of Computer and Information Science, for period March 1, 1973 through February 28, 1975. (Project 3636-A1 - Mod. #02)
- d. \$65,000.00 from Department of Health, Education, and Welfare, Public Health Service, National Institutes of Health, National Institute of Neurological Diseases and Stroke, Bethesda, Maryland, for Developing a Semiconductor Gamma Camera System for Nuclear Medicine, under the direction of Department of Mechanical Engineering, for period June 30, 1972 through August 31, 1974. (Project 3495-A1 - Mod. #4)
- e. \$60,000.00 from Department of Commerce, National Oceanic and Atmospheric Administration, Rockville, Maryland, for Spectroscopic Measurements of Ozone, Water Vapor and Other Atmospheric Gases, under the direction of Department of Physics, for period April 1, 1974 through March 31, 1975. (Project 3910-A1 - New)
- f. \$54,595.00 additional funds from National Aeronautics and Space Administration, Goddard Space Flight Center, Greenbelt, Maryland, for ATS-F Millimeter Wavelength Propagation Experiment, under the direction of Department of Electrical Engineering. (Project 3863-A1 - Mod. #1)
- g. \$50,658.00 from Department of Health, Education, and Welfare, Public Health Service, National Institutes of Health, National Heart and Lung Institute, Bethesda, Maryland, for Structural Investigation on Glycosaminoglycans, under the direction of Department of Chemistry, for period September 1, 1973 through August 31, 1975. (Project 2516-F - Revised Award)

III. REPORT OF RESEARCH CONTRACTS, GRANTS, GIFTS, AND AGREEMENTS  
(continued)

B. The Ohio State University Research Foundation (continued)

1. Federal Research Contracts/Grants (continued)

- h. \$44,800.00 from National Science Foundation, Washington, D. C., for Metal Complexes of Linear and Microcyclic Tetradentate Ligands, under the direction of Department of Chemistry, for period July 1, 1974 through June 30, 1975. (Project 3891-A1 - New)
- i. \$43,105.00 from Department of Health, Education, and Welfare, Public Health Service, National Institutes of Health, National Institute of Allergy and Infectious Diseases, Bethesda, Maryland, for A Model of Parainfectious Demyelinating Encephalitis, under the direction of Department of Veterinary Pathobiology, for period May 1, 1974 through April 30, 1975. (Project 2797-E - Ext. #5)
- j. \$40,000.00 from National Aeronautics and Space Administration, Lewis Research Center, Cleveland, Ohio, for Remote Sensing of Lake Ice Thickness, under the direction of Department of Electrical Engineering, ElectroScience Laboratory, for period April 1, 1974 through March 31, 1975. (Project 3892-A1 - New)
- k. \$35,779.00 from Department of Health, Education, and Welfare, Public Health Service, National Institutes of Health, National Institute of Arthritis and Metabolic Diseases, Bethesda, Maryland, for Enzyme Catalysis of Electron and Group Transfer, under the direction of Department of Chemistry, for period May 1, 1974 through April 30, 1975. (Project 2811-E - Ext. #5)
- l. \$24,065.00 from Department of Health, Education, and Welfare, Public Health Service, National Institutes of Health, National Heart and Lung Institute, Bethesda, Maryland, for Mapping of Intimal O<sub>2</sub> Tension in Artherosclerosis, under the direction of Department of Physiology, for period April 1, 1974 through December 31, 1974. (Project 1800-K - Ext. #10)
- m. \$23,547.00 from Department of Health, Education, and Welfare, Public Health Service, National Institutes of Health, National Institute of General Medical Sciences, Bethesda, Maryland, for Development of New Assays for Enzymes and Inhibitors, under the direction of College of Pharmacy, for period April 1, 1974 through March 31, 1975. (Project 2791-E - Ext. #5)
- n. \$17,000.00 from National Science Foundation, Washington, D. C., for Research Initiation--Work Flow in Complex Job Shops, under the direction of Department of Industrial and Systems Engineering, for period April 1, 1974 through September 30, 1975. (Project 3895-A1 - New)

III. REPORT OF RESEARCH CONTRACTS, GRANTS, GIFTS, AND AGREEMENTS  
(continued)

B. The Ohio State University Research Foundation (continued)

1. Federal Research Contracts/Grants (continued)

- o. \$17,000.00 from National Science Foundation, Washington, D. C., for Research Initiation--Optimal Price and Rationing Policies, under the direction of College of Engineering, School of Architecture, for period April 1, 1974 through September 30, 1975. (Project 3894-A1 - New)
- p. \$13,205.00 from Department of Health, Education, and Welfare, Social Security Administration, Baltimore, Maryland, for Disability in the United States, under the direction of College of Law, for period April 1, 1973 through December 31, 1974. (Project 3246-A3 - Amend. #1)
- q. \$9,900.00 from National Science Foundation, Washington, D. C., for Workshop in Materials Problems and Research Opportunities in Coal Conversion, under the direction of Department of Metallurgical Engineering, for period April 1, 1974 through March 31, 1975. (Project 3897-A1 - New)
- r. \$6,700.00 from National Science Foundation, Washington, D. C., for Combinatorial Designs and Related Structures, under the direction of Department of Mathematics, for period July 1, 1971 through June 30, 1975. (Project 3228-A1 - Amend. #3)
- s. \$5,500.00 from Civil Service Commission, Denver, Colorado, for Contract Training for Department of Labor Training Program, under the direction of College of Administrative Science, Division of Continuing Education, for period August 27, 1973 through April 30, 1974. (Project 3800-A1 - Amend. #1)
- t. \$5,000.00 from National Science Foundation, Washington, D. C., for Fundamental Aspects of the Passivity of Metals, under the direction of Department of Metallurgical Engineering, for period April 1, 1974 through March 31, 1976. (Project 3907-A1 - New)
- u. \$4,500.00 from National Science Foundation, Washington, D. C., for Soviet American-Romania Seminar on Economic Relations Between Market and Planned Economics, under the direction of Department of Economics, for period May 1, 1974 through April 30, 1975. (Project 3905-A1 - New)
- v. \$3,750.00 additional funds from Civil Service Commission, Washington, D. C., for Course Materials, under the direction of College of Administrative Science, Division of Continuing Education. (Project 3808-F1 - Ext. #1)

III. REPORT OF RESEARCH CONTRACTS, GRANTS, GIFTS, AND AGREEMENTS  
(continued)

B. The Ohio State University Research Foundation (continued)

1. Federal Research Contracts/Grants (continued)

- w. \$3,400.00 from National Science Foundation, Washington, D. C., for Development and Total Synthesis of Physiologically Active Natural Products, under the direction of College of Pharmacy, for period April 1, 1974 through March 31, 1976. (Project 3906-A1 - New)
- x. \$2,236.00 additional funds from Department of Health, Education, and Welfare, Public Health Service, National Institutes of Health, National Institute of Allergy and Infectious Diseases, Bethesda, Maryland, for Studies on in vivo Growth of Staphylococci, under the direction of Department of Medical Microbiology. (Project 2330-D - Sup. #1)
- y. \$2,180.00 from Civil Service Commission, Washington, D. C., for Inter-Government Training Course Preparation Instruction, under the direction of College of Administrative Science, Division of Continuing Education, for period February 11, 1974 through June 30, 1974. (Project 3808-G1 - New)

TOTAL - Federal Research Contracts/Grants \$881,449.00

2. State of Ohio Research Contract/Grant

- a. \$70.00 additional funds from State of Ohio, Department of Mental Health and Mental Retardation, Division of Forensic Psychiatry, Columbus, Ohio, for Computer Services--Dayton-Montgomery Forensic Center, under the direction of College of Administrative Science, Division of Public Administration. (Project 3595-B2 - New)

3. Industrial, Subcontracts/Grants and Other  
Non-Federal Research Contracts/Grants

- a. \$38,665.00 from The Dikewood Corporation, Albuquerque, New Mexico, for High Frequency Analysis of EMP Interaction with Aircraft Models, under the direction of Department of Electrical Engineering, ElectroScience Laboratory, for period March 21, 1974 through February 15, 1975. (Project 3893-A1 - New)
- b. \$27,000.00 from State of Ohio, Department of Health, Columbus, Ohio, for Newborn Care, under the direction of Department of Pediatrics, for period January 1, 1974 through June 30, 1974. (Project 2052-H - Ext. #9)

III. REPORT OF RESEARCH CONTRACTS, GRANTS, GIFTS, AND AGREEMENTS  
(continued)

B. The Ohio State University Research Foundation (continued)

3. Industrial, Subcontracts/Grants and Other  
Non-Federal Research Contracts/Grants (continued)

- c. \$24,000.00 from Steel Founders' Society of America, Rocky River, Ohio, for Ferrite Control in Corrosion Resistant Steel Castings, under the direction of Department of Metallurgical Engineering, for period April 1, 1973 through March 31, 1975. (Project 350-E - Ltr. Dtd. 4/4/74)
- d. \$9,690.00 from Paint Research Institute, Philadelphia, Pennsylvania, for Paint Mildew Ecology, under the direction of Department of Botany, for period February 1, 1972 through June 30, 1975. (Project 3389-A1 - Ltr. Dtd. 2/19/74)
- e. \$5,000.00 from American Cancer Society, Ohio Division, Columbus, Ohio, for Immunoglobulin Analogs as Antineoplastic Agents, under the direction of College of Pharmacy, for period April 1, 1974 through March 31, 1975. (Project 3901-A1 - New)
- f. \$5,000.00 from American Cancer Society, Ohio Division, Columbus, Ohio, for Heterologous Brain Tumor Transplantation and Edema Formation, under the direction of Department of Surgery, for period April 1, 1974 through March 31, 1975. (Project 3902-A1 - New)
- g. \$5,000.00 from American Cancer Society, Ohio Division, Columbus, Ohio, for Detection of Tumor Specific Antibodies and Immune Complexes in Experimental Animals as a Model for Human Studies, under the direction of Department of Medical Microbiology, for period April 1, 1974 through March 31, 1975. (Project 3903-A1 - New)
- h. \$4,999.00 from American Cancer Society, Ohio Division, Columbus, Ohio, for Vincristine (Leurocristine)--The Preparation of Synthetic Models Through Indole Dimerization, under the direction of Department of Chemistry, for period April 1, 1974 through March 31, 1975. (Project 3899-A1 - New)
- i. \$4,785.00 from American Cancer Society, Ohio Division, Columbus, Ohio, for Cellular Immune Response to a Heritable Cancer in Humans, under the direction of Department of Medicine, for period April 1, 1974 through March 31, 1975. (Project 3900-A1 - New)

TOTAL - Industrial, Subcontracts/Grants and Other  
Non-Federal Research Contracts/Grants \$124,139.00

III. REPORT OF RESEARCH CONTRACTS, GRANTS, GIFTS, AND AGREEMENTS  
(continued)

C. The Engineering Experiment Station

1. State of Ohio Research Contracts

- a. \$39,966.00 from Ohio Department of Highways, Columbus, Ohio, for Improving Driver Performance on Curves in Rural Highways Through Perceptual Changes, under the direction of the Department of Industrial and Systems Engineering, Systems Research Group, for period March 22, 1974 through March 21, 1975. (EES 428, Ext. #3)
- b. \$2,000.00 from Ohio Department of Highways, Columbus, Ohio, for Investigation of Traffic Dynamics by Aerial Photogrammetry Techniques, under the direction of Department of Civil Engineering, for period March 1, 1974 through October 31, 1974. (EES 278, Ext. #12)

TOTAL - State of Ohio Research Contracts \$41,966.00

2. Industrial and Other Research Contracts

- a. \$40,176.00 from Columbia Gas System Service Corporation, Columbus, Ohio, for Detection of Buried Pipe from the Shovel of a Back Hoe, under the direction of Department of Electrical Engineering, for period April 11, 1974 through April 19, 1975. (EES 479)
- b. \$27,540.00 from City of Columbus, Columbus, Ohio, for Analysis and Evaluation Support to the Franklin County Pre-Trial Release Program, under the direction of Department of Industrial and Systems Engineering, for period January 2, 1974 through June 30, 1974. (EES 475)
- c. \$7,276.00 from Bryan Board of Public Affairs, Bryan, Ohio, for Assessing the Feasibility of Future Electric Power Generation in the Bryan, Ohio, Municipal System, under the direction of Department of Industrial and Systems Engineering, for period March 25, 1974 through September 24, 1974. (EES 478)

TOTAL - Industrial and Other Research Contracts \$74,992.00

D. The Ohio State University Development Fund

1. Gifts of \$5,000 or More

- a. \$50,000.00 from the Estate of Herman V. Glunz for scholarships for undergraduate and/or fellowships for graduate students in the College of Engineering.

III. REPORT OF RESEARCH CONTRACTS, GRANTS, GIFTS, AND AGREEMENTS  
(continued)

D. The Ohio State University Development Fund (continued)

1. Gifts of \$5,000 or More (continued)

- b. \$31,121.37 from the Estate of J. Forest Craig, Columbus, Ohio, for a purpose to be designated at a later date.
- c. \$26,627.23 from The Associates of Medicine, Columbus, Ohio, to continue their support of the Department of Medicine General Fund.
- d. \$17,889.23 from Louise Orr Scott Foundation, Columbus, Ohio--\$13,416.92 for scholarships in the College of Medicine and \$4,472.31 for scholarships in the College of Pharmacy.
- e. \$15,000.00 from Foundation for Endowment of a Chair at Ohio State University, Inc., New York, New York, for the Meshulam Riklis Chair in the College of Administrative Science.
- f. \$9,000.00 from Rohm and Haas Company, Philadelphia, Pennsylvania--\$5,000.00 for support of the graduate education program in the Department of Chemistry; \$3,000.00 for support of the Department of Chemical Engineering for whatever purpose deemed necessary by the Chairman; and \$1,000.00 for its scholarship aid to students in Chemical Engineering.
- g. \$6,240.00 from The Babcock & Wilcox Company, Alliance, Ohio, for its fellowship fund in the Department of Metallurgical Engineering.
- h. \$6,200.00 from The Upjohn Company, Kalamazoo, Michigan--\$6,000.00 for infectious disease research and \$200.00 for hematology and cancer research.
- i. \$5,200.00 from The Ohio State University Women's Club, Columbus, Ohio--\$3,450.00 for their emergency loan fund and \$1,750.00 for their scholarship fund.
- j. \$5,000.00 from Ford Motor Company Fund, Dearborn, Michigan, for a new project to provide assistance for minority students.
- k. \$5,000.00 from the George F. Lonz Foundation, Middle Bass, Ohio, for support of the Department of Horticulture's programs in Enology and Viticulture.
- l. \$5,000.00 from The Procter & Gamble Company, Cincinnati, Ohio, for support of the teaching and research activities that form a part of the Department's graduate program in the field of Veterinary Pathobiology.



III. REPORT OF RESEARCH CONTRACTS, GRANTS, GIFTS, AND AGREEMENTS

D. The Ohio State University Development Fund (continued)

2. Establishment of Named Funds

- a. \$15,000.00 from Harvey A. Shuler for the establishment of The Harvey A. and Mary Grace Holliday Shuler Scholarship Fund.

The Harvey A. and Mary Grace  
Holliday Shuler Scholarship Fund

The Harvey A. and Mary Grace Holliday Shuler Scholarship Fund was established June 14, 1974, by the Board of Trustees of The Ohio State University with a gift to The Ohio State University Development Fund from Harvey A. Shuler, Mechanical Engineering '11, Detroit, Michigan.

All gifts are to be invested in the University's Permanent Endowment Fund, under the rules and regulations adopted by the Board of Trustees of The Ohio State University, with the right to invest and re-invest as occasion dictates.

The annual income is to be used to provide scholarships, student loans, or grants-in-aid for graduate or undergraduate students enrolled in the College of Engineering with first preference given to students enrolled in the Department of Mechanical Engineering. The selection of the recipients is to be made upon the recommendation of the University Committee on Student Financial Aids.

Should the need for these scholarships cease to exist or so diminish as to provide unused income, then the income may be used for any purpose whatsoever as determined by the Board of Trustees, with preference being given to recommendations from the appropriate administrative official of the University who is then directly responsible for scholarships.

- b. \$5,000.00 from friends of The Griffith Foundation for the establishment of The Griffith Foundation Endowment Fund.

The Griffith Foundation Endowment Fund

The Griffith Foundation Endowment Fund was established June 14, 1974, by the Board of Trustees of The Ohio State University with gifts to The Ohio State University Development Fund from friends of The Griffith Foundation.

All gifts are to be invested in the University's Permanent Endowment Fund, under the rules and regulations adopted by the Board of Trustees of The Ohio State University, with the right to invest and reinvest as occasion dictates.

III. REPORT OF RESEARCH CONTRACTS, GRANTS, GIFTS, AND AGREEMENTS  
(continued)

D. The Ohio State University Development Fund (continued)

2. Establishment of Named Funds (continued)

b. The Griffith Foundation Endowment Fund (continued)

The annual income is to be used for the support of educational activities of The Griffith Foundation.

Should the need for this fund cease to exist or so diminish as to provide unused income, then the income may be used for any purpose whatsoever as determined by the Board of Trustees, with preference being given to recommendations from the appropriate administrative official of the University who is then directly responsible for insurance education.

- c. \$5,000.00 from G. Alfred Krebs, Sr., for the establishment of the Betty J. Krebs Memorial Fund.

Betty J. Krebs Memorial Fund

The Betty J. Krebs Memorial Fund was established June 14, 1974, by the Board of Trustees of The Ohio State University with a gift to The Ohio State University Development Fund by G. Alfred Krebs, Sr., Bach. Arch. Eng. '32, in memory of his wife, Betty J. Krebs, formerly of Newark, Ohio.

All gifts are to be invested in the University's Permanent Endowment Fund, under the rules and regulations adopted by the Board of Trustees of The Ohio State University, with the right to invest and re-invest as occasion dictates.

The annual income is to be added to principal until the principal reaches \$10,000 at which time annual income is to be used to provide a scholarship for a student enrolled on the Newark Campus of The Ohio State University.

Should the need for this scholarship cease to exist or so diminish as to provide unused income, then the income may be used for any purpose whatsoever as determined by the Board of Trustees, with preference being given to recommendations from the Director of the Newark Regional Campus.

III. REPORT OF RESEARCH CONTRACTS, GRANTS, GIFTS, AND AGREEMENTS  
(continued)

D. The Ohio State University Development Fund (continued)

2. Establishment of Named Funds (continued)

- d. \$2,260.42 from friends, colleagues, and former students of Lucile B. Alexander for the establishment of The Lucile B. Alexander Recognition Fund.

The Lucile B. Alexander Recognition Fund

The Lucile B. Alexander Recognition Fund was established June 14, 1974, by the Board of Trustees of The Ohio State University with gifts to The Ohio State University Development Fund from friends, colleagues, and former students of Lucile B. Alexander, in honor of her retirement from the School of Home Economics.

The gift is to be invested in the University's Permanent Endowment Fund, under the rules and regulations adopted by the Board of Trustees of The Ohio State University, with the right to invest and reinvest as occasion dictates.

The annual income is to be used to provide financial assistance to students enrolled in the School of Home Economics in recognition of their leadership and scholastic ability, upon the recommendations of the Director of the School of Home Economics.

Should the need for these scholarships cease to exist or so diminish as to provide unused income, then the income may be used for any purpose whatsoever as determined by the Board of Trustees, with preference being given to recommendations from the appropriate administrative official of the University who is then directly responsible for scholarships.

\*

\*

\*

IV. BUSINESS AND ADMINISTRATION

A. Plans and Specifications

At the request of the Vice President for Business and Administration, President Enarson recommended that the plans and specifications, bills of materials, and estimates of cost for the following project be approved by the Board of Trustees:

IV. BUSINESS AND ADMINISTRATION (continued)

A. Plans and Specifications (continued)

1. Lima Campus--New Recreational Area

This project provides for the construction of two new tennis courts to meet all requirements for varsity-type competition. It will also provide one baseball diamond.

Funds are budgeted in Budget Account 801301 (Lima Campus, New Recreational Area).

Upon motion of Mr. Harrod, seconded by Mr. Gushman, the above recommendation was approved by unanimous roll call vote, and the Secretary was authorized and directed to sign the plans and specifications for the above project for and on behalf of the Board of Trustees. The Vice President for Business and Administration was directed to proceed with a request for bids in the normal University manner, and if satisfactory bids are received, to proceed with the award of contracts. All action regarding this matter will be reported to the Board of Trustees at a later meeting.

B. Report of Award of Contracts

1. Cancellation of Bids

Bids on the following projects have been judged to be unacceptable. Accordingly, authority is being requested to reject all bids and cancel these projects:

a. Rebid and Cancellation of Project

Fawcett Center for Tomorrow--Roadway Improvements

On April 5, 1974, the award of contract to Legg & Davis, Inc., was reported to the Board. The low base bid was \$17,552.00 on an estimate of \$20,116.00. Following the acceptance of the bid, Legg & Davis, Inc., refused to accept the contract for this work because of an alleged error which had been made in completing the bid document. Upon advice of legal counsel this matter was not pursued and the project was rebid on May 3, 1974.

Since Legg & Davis, Inc., was the only contractor to submit a quotation at the May 3, 1974 rebid, and counsel recommended against an award under these conditions, President Enarson recommended that the project in its present form be cancelled.

b. Cancellation of Project

Dentistry Building--Heating System Repairs

On April 19, 1974, bids were received on the project known as "Dentistry Building--Heating System Repairs." The low bid on the Heating, Ventilating and Air Conditioning Contract was

June 14, 1974 meeting, Board of Trustees

IV. BUSINESS AND ADMINISTRATION (continued)

B. Report of Award of Contracts (continued)

1. Cancellation of Bids (continued)

b. Cancellation of Project

Dentistry Building--Heating System Repairs (continued)

\$69,900.00 and the estimate was \$54,000.00. The bid on the Electrical Contract was \$3,817.00 submitted by Claggett Electric, and the estimate was \$10,000.00. Because of the magnitude of the bids over estimate on the HVAC Contract, President Enarson recommended that all bids be cancelled and the project be re-studied in an effort to achieve a less costly solution.

c. Rebid and Cancellation of Project

Ohio Stadium--All Weather Track

On April 9, 1974, bids were received on the project known as "Ohio Stadium--All Weather Track." The low bid on the General Contract was \$324,965.00, submitted by Farley Paving, Inc., compared to an estimate of \$80,500.00. On the Synthetic Track, the low bid received was by the Monsanto Company in the amount of \$125,245.00 compared to an estimate of \$215,000.00. The Electrical Contract low bid was \$7,860.00 submitted by the Utilicon Company, against an estimate of \$4,500.00. The total bids received on this project were \$458,070.00 and the total estimate was \$300,000.00.

On April 30, 1974, rebids were received on this project for the General and Electrical Contracts. The low bid received on the General Contract was submitted by Farley Paving, Inc., in the amount of \$262,288.85 and the new estimate was \$165,755.00. On the Electrical Contract, the low bid was submitted by Jess Howard Electric Company in the amount of \$7,474.00 against an estimate of \$9,000.00. The total bids received on the rebid for General and Electrical Contracts were \$269,762.85 on a rebid total estimate of \$174,755.00.

Since the bids received on the General Contract were so high as to be unacceptable (initial and rebid), the decision to reject all bids and cancel the project for the year's construction period was made.

Upon motion of Mr. Gushman, seconded by Mrs. James, the above cancellation of contracts was approved by unanimous roll call vote.

June 14, 1974 meeting, Board of Trustees

IV. BUSINESS AND ADMINISTRATION (continued)

B. Report of Award of Contracts (continued)

2. Award of Contracts

In accordance with authorization provided by the Board of Trustees, bids were taken on the project listed below and the contracts were recommended for award. The action reported to the Board was as follows:

a. Ohio Stadium--Additional Rest Room Facilities

	<u>Low Bid</u>	<u>Est. of Cost</u>
<u>General Contract</u> (4 bids received 4-23-74) Henry A. Justus, Inc. (Columbus)		
Base bid	\$ 89,930.00	\$ 97,000.00
Alt. G-1 Additional Rest Room "E"	+ 12,980.00	+ 11,000.00
Total Contract	<u>\$102,910.00</u>	<u>\$108,000.00</u>
<u>Plumbing Contract</u> (5 bids received 4-23-74) Mid-Western Mechanical (Columbus)		
Base bid	\$ 79,500.00	\$ 90,000.00
Alt. P-1 Additional Rest Room "E"	+ 12,500.00	+ 9,000.00
Total Contract	<u>\$ 92,000.00</u>	<u>\$ 99,000.00</u>
<u>Heating and Ventilating Contract</u> (3 bids received 4-23-74) Limbach Company (Columbus)		
Base bid	\$ 7,400.00	\$ 12,300.00
Alt. HV-1 Additional Rest Room "E"	+ 1,100.00	+ 2,000.00
Total Contract	<u>\$ 8,500.00</u>	<u>\$ 14,300.00</u>
<u>Electrical Contract</u> (2 bids received 5-2-74) Rebid Jess Howard Electric Company (Columbus)		
Base bid	\$ 19,875.00	\$ 39,912.00
Alt. E-1 Additional Rest Room "E"	+ 2,732.00	+ 5,000.00
Total Contract	<u>\$ 22,607.00</u>	<u>\$ 44,912.00</u>
<u>Total All Contracts</u>	<u>\$226,017.00</u>	<u>\$266,212.00</u>

June 14, 1974 meeting, Board of Trustees

IV. BUSINESS AND ADMINISTRATION (continued)

B. Report of Award of Contracts (continued)

2. Award of Contracts (continued)

a. Ohio Stadium--Additional Rest Room Facilities (continued)

Funds for this project have been provided from Budget Account 801288 (Athletic Revenue Funds).

Upon motion of Mr. Hilliker, seconded by Mr. Harrod, the above award of contracts and expenditure of funds were approved, and the action of the Vice President for Business and Administration was ratified by unanimous roll call vote.

C. Other

1. Purchase of Buildings and Property - South Campus  
189-195 West Eleventh Avenue

It was recommended that the President and/or Vice President for Business and Administration be authorized to proceed with the purchase of:

Lot #19 and Lot #20, University Heights, Columbus, Franklin County, Ohio, and more commonly known as 189-195 West Eleventh Avenue

from the Continental Credit Corporation for the sum of \$55,000 from General University Funds, and in the name of the State of Ohio (The Ohio State University).

Upon motion of Mr. Kessler, seconded by Mrs. James, the above recommendation was approved by unanimous roll call vote.

D. Report of Controlling Board Actions Pertaining  
to The Ohio State University

- 21 Approves the release of \$49,500 from H. B. 985, Item 315-074 (Utilities and Renovation) to award contracts for the project known as "Law Library Improvements."
- 22 Approves the release of \$160,000 from H. B. 985, Item 315-082 (Mansfield Campus - Phase IV) for planning funds for the project known as "Mansfield Campus - Phase IV."
- 23 Approves the release of \$100,000 from H. B. 985, Item 315-088 (The Ohio State University in Cooperation with Marion Technical College) for planning funds for the project known as "Marion Campus - Phase II."

June 14, 1974 meeting, Board of Trustees

IV. BUSINESS AND ADMINISTRATION (continued)

D. Report of Controlling Board Actions Pertaining to The Ohio State University (continued)

- 24 Approves the release of \$117,254 from H. B. 985, Item 315-074 (Utilities and Renovation) to award contracts on the project known as "Electric Trunk Lines - Utility Substation."
- 25 Approves the release of \$55,000 from H. B. 985, Item 366-001 (Agricultural Technical Institute, Wooster) for the construction of an "Equine Exercise Building" at the Agricultural Technical Institute at Wooster, Ohio.
- 26 Approves the release of \$49,500 from H. B. 985, Item 315-074 (Utilities and Renovation) for award of contracts on the project known as "College of Education Library Improvements (Arps Hall)."
- 27 Approves the release of \$220,000 from H. B. 985, Item 315-081 (Recreation, Physical Education, Intramural Facilities) for planning funds on the project known as "Recreation, Physical Education, Intramural Facilities."
- 28 Approves the release of \$55,000 from General University Funds for the purchase of 189-195 West 11th Avenue, Columbus, Franklin County, Ohio, from Continental Credit Corporation.

\*

\*

\*

V. REPORTS

A. Report of Auditor of State - The Ohio State University Hospitals

The Annual Report of the Auditor of State for The Ohio State University Hospitals for the fiscal year 1971-1972 has been received and reviewed by the appropriate officers of the University.

The accounts, records, files, and reports of The Ohio State University Hospitals were found to be in order with a limited number of exceptions which have since been accommodated.

President Enarson recommended that this Report of the Auditor of State for the fiscal year 1971-1972 for The Ohio State University Hospitals be received and filed with the official documents of the University.

Upon motion of Mr. Harrod, seconded by Mrs. James, the above recommendation was approved by unanimous voice vote.



V. REPORTS (continued)

B. Report from Insurance Committee

Dr. Sirak made the following report on insurance coverages:

1. Blanket Crime Policy

Since the current blanket crime insurance policy will expire July 8, 1974, competitive bids with alternative specifications were recently solicited and received to continue this coverage, for a three-year period. An analysis revealed that The Buckeye Union Insurance Company, through the Atkinson-Dauksch Agencies, Inc., submitted the lowest and best bid proposal of \$21,485.

2. Concealed Weapons and Faithful Performance Police Bonds

Sections 2923.01 (Weapons Bonds) and 3345.04 (Faithful Performance Bonds) of the Revised Code of Ohio requires that specially appointed Police Officers give bond to the State of Ohio in a form approved by the Clerk of Courts of Common Pleas, Franklin County, Ohio, and the Attorney General of the State of Ohio, in the sum of one thousand dollars for each police officer employed by the University.

Coverage provided by the existing bonds expires June 30, 1974. Accordingly competitive bids were requested and received to extend this coverage for an additional three-year period. Analysis revealed that the National Surety Corporation, through the Atkinson-Dauksch Agencies, Inc., submitted the lowest and best bid proposal of \$1,365.

3. Medical Care Insurance Plan for Eligible Retired Employees and Dependents

As the five State of Ohio retirement systems are implementing a new, comprehensive health care insurance plan effective July 1, 1974, and because the full cost of this new health care insurance will be paid for primary recipients by the Ohio retirement systems, it is necessary to make certain revisions in the plan of medical care insurance which the University makes available to eligible retired employees and dependents.

June 14, 1974 meeting, Board of Trustees

V. REPORTS (continued)

B. Report from Insurance Committee (continued)

Dr. Sirak's report (continued)

3. Medical Care Insurance Plan for Eligible Retired Employees and Dependents (continued)

The Board of Trustees of The Ohio State University resolves that the John Hancock Mutual Life Insurance Contract No. 58175-GTC as amended for faculty and staff and Contract No. GTC-58175-100 as amended for classified and hourly employees be amended further to include the following changes to be made effective on July 1, 1974:

- a. Any and all medical care expenses which are covered on a non-contributory basis for primary recipients under the health insurance plan of the Ohio retirement systems will be eliminated as covered expenses under the University's plan of medical care insurance for retirees. Eligible OSU retirees will continue to be eligible for the University's plan of medical care insurance for retirees on payment of the appropriate quarterly premium.
- b. The University's medical care insurance plan available to the spouse and covered dependents of an eligible retiree will be subject to the standard coordination of benefits provision with other coverage which they may have under the Ohio retirement systems.
- c. The deductible amount under the University's major medical insurance will be \$500 for spouses and covered dependents of retired employees if such spouses and covered dependents are not eligible for Medicare and do not participate under the health care insurance available to them on a contributory basis through any of the Ohio retirement systems.

On behalf of the Insurance Committee Dr. Sirak recommended that the President and/or Vice President for Business and Administration be authorized to implement these recommendations.

Upon motion of Dr. Sirak, seconded by Mr. Kessler, the Board of Trustees approved the foregoing recommendation by unanimous roll call vote.

June 14, 1974 meeting, Board of Trustees

V. REPORTS (continued)

C. Report on the University's Investment Portfolio

The report dated June 5, 1974, as submitted to the Finance Committee of the Board of Trustees by Mr. Ernest W. Leggett pertaining to the University's Investment Portfolio, was received and ordered to be filed with the official records of the Board of Trustees.

D. Report by President Enarson on "Closed Campus"

President Enarson reported that contrary to what has been in the Lantern or in the newspapers, the University administration has not reached a final decision with respect to the particular streets to be closed on the Central Campus in an effort to achieve a pedestrian campus. He further assured that there will be open meetings during the summer for the purpose of reviewing and discussing the recent proposal.

\*

\*

\*

INTRODUCTION OF PRESIDENT, COUNCIL OF GRADUATE STUDENTS

President Enarson introduced Anita M. Collins, who succeeds James E. Parsons as President of the Council of Graduate Students.

\*

\*

\*

Thereupon the Board adjourned to meet Friday, July 12, 1974, at The Ohio State University Fawcett Center for Tomorrow, Columbus, Ohio, at 1:30 p. m.

Attest:

---

Edward Q. Moulton  
Secretary

---

John H. Dunlap  
Vice Chairman

Page 556 Blank

APPENDIX IV

Degrees Conferred at

THE OHIO STATE UNIVERSITY  
COMMENCEMENT CONVOCATION

June 7, 1974

Page 558 Blank

## **The Recipients of Honors**

### **MILTON CANIFF**

#### **Doctor of Humane Letters**

Conscientious craftsman, loyal alumnus, friend of his fellow man, Milton Caniff's creative life has captured our imagination and admiration. His involvement with programs for youth and the handicapped demonstrates his continuing concern for the welfare of humanity. The Ohio State University is honored to confer upon Milton Caniff the degree, Doctor of Humane Letters, honoris causa.

### **JOSEPH SANDY HIMES**

#### **Doctor of Science**

Distinguished sociologist, Joseph Sandy Himes' contributions to his profession through authorship of numerous articles, as a sought-after consultant, and by his personal example mark him as a respected leader in higher education. He has been an active and articulate spokesman for equal rights and expanded opportunities for the disadvantaged in our society. The Ohio State University is honored to confer upon Joseph Sandy Himes the degree, Doctor of Science, honoris causa.

### **WALTER R. KRILL**

#### **Doctor of Science**

Dedicated teacher, counselor, and leader in the field of veterinary medicine, Walter R. Krill has displayed a firm belief in the abilities of others, inspiring students and faculty to achieve distinctions of their own. His statesmanship on behalf of veterinary medicine in the areas of government and public service has given people the world over the benefit of his extraordinary wisdom. The Ohio State University is honored to confer upon Walter R. Krill the degree, Doctor of Science, honoris causa.

### **ROBERT M. ZOLLINGER**

#### **Doctor of Science**

Outstanding surgeon and scholar, Robert M. Zollinger's enlightened approach to medicine has established him as a pioneer in exploring new horizons in medical understanding. Internationally recognized as an innovative leader in his profession, he has brought distinction to himself, to medicine, and to Ohio State, his alma mater. The Ohio State University is honored to confer upon Robert M. Zollinger the degree Doctor of Science, honoris causa.

## Graduate School

Dean: Arliss L. Roaden

### Doctor of Philosophy

One hundred and forty-seven candidates

Edward Adelson, Columbus

B.A. (New York University); M.S.  
*Dissertation:* Quaternion and Octonion Theories of Weak and Electromagnetic Interactions  
*Field of Specialization:* Physics

Roger Alphee Allaire, Columbus

B.S. (Lowell Technological Institute); M. of Eng. (University of Utah)  
*Dissertation:* Whole Field Displacement Measurements by Holographic Interferometry—With Application on Sonic Transducers  
*Field of Specialization:* Engineering Mechanics

Matthew Joseph Andresino, Garden City, N. Y.

B.A. (Canisius College); M.A. (Columbia University); M.A.  
*Dissertation:* A Conceptual and Psychometric Analysis of the Schizotypy Construct  
*Field of Specialization:* Psychology

Robert Francis Ankney, Dover

B.S.Ed., M.A.  
*Dissertation:* Effects of Classroom Spatial Arrangement on Student Behavior  
*Field of Specialization:* Education

Joyce Eileen Arbaugh, Tempe, Ariz.

B.A., M.S. (Arizona State University)  
*Dissertation:* Profiling the Textile/Apparel Consumer: A Study of the Usage of Care Label Information  
*Field of Specialization:* Home Economics

Minoru Arita, Tokyo, Japan

B.S. (Tokyo Institute of Technology)  
*Dissertation:* Thermodynamic Activities in the Binary Fe-Mn and Ternary Fe-Mc-Si Systems at 1833 K by Vapor Condensation  
*Field of Specialization:* Metallurgical Engineering

Edwin Arthur Arnfield, Warren, Mich.

A.B., M.Edu. (Wayne State University)  
*Dissertation:* A Study of the Relationship Between Collective Bargaining Impasse and the Attitudes and Performance of Biology Instructors and Biology Students in Two Urban Community Colleges in Michigan  
*Field of Specialization:* Education

Dirk Edmond Baker, Grahamstown, South Africa

B.Sc., B.Sc. (Rhodes University)  
*Dissertation:* The Focal-Region Fields of Paraboloidal Reflectors of Arbitrary  $f/D$  Ratio  
*Field of Specialization:* Electrical Engineering

Luiz Antonio Balastreire, Sao Paulo, Brazil

B.S., M.S. (Universidade de Sao Paulo)  
*Dissertation:* Relaxation Modules and Fracture Parameters for Corn Endosperm in Bending  
*Field of Specialization:* Agricultural Engineering

Rodney Jack Ball, Chesterland

B.S.Ed., M.A.  
*Dissertation:* The Feasibility of Determining Success Criteria for Educational Research and Development Projects  
*Field of Specialization:* Education

Philip Everett Barnhart, Worthington

B.A. (Manchester College); A.M. (Indiana University)  
*Dissertation:* Photoelectric Solar Limb Scans for Determining Mean Chromospheric Structure  
*Field of Specialization:* Astronomy

John Richard Basehart, Newcomerstown

B.A., M.A. (Kent State University)  
*Dissertation:* The Development of Henry Irving's Shakespearean Staging During His Early Years at the Lyceum Theatre  
*Field of Specialization:* Theatre

David William Berrie, Mason City, Ia.

B.S.E.E. (Iowa State College); M.S.  
*Dissertation:* The Effects of Pseudo-Random Noise Upon Radar System Performance  
*Field of Specialization:* Electrical Engineering

Richard Paul Boekenkamp, Garden City, Pa.

B.S. (Franklin and Marshall College); M.S. (Cornell University)  
*Dissertation:* Geological Education in the United States During the Late Nineteenth Century  
*Field of Specialization:* Education

Nicholas Robert Brownlee, Fairborn

B.A. (Kalamazoo College)  
*Dissertation:* Free Radical Production and Hydrogen Peroxide Formation in the Oxidation of Glutathione and Their Effects on the Red Blood Cell  
*Field of Specialization:* Physiological Chemistry

Garret Patrick Caffrey, Pawtucket, R. I.

B.S. (University of Rhode Island); M.Ed. (Bowling Green State University)  
*Dissertation:* The Physiological Effects of Chronic Heavy Physical Training on Male Age Group Swimmers  
*Field of Specialization:* Physical Education

Stephen Eugene Caldwell, Columbus

B.S.Phys., M.S.  
*Dissertation:* Properties of Some Low-Lying Levels in  $^{55}\text{Co}$   
*Field of Specialization:* Physics

Truong Quang Canh, Saigon, Vietnam

B.S.Agr. (University of the Philippines); M.S. (University of North Carolina)  
*Dissertation:* Income Instability and Consumption Behavior: A Study of Taiwanese Farm Households 1964-1970  
*Field of Specialization:* Agricultural Economics and Rural Sociology

Thomas Yeong-Hwa Chang, Taipei, Taiwan

B.S.Engr. (National Taiwan University); M.S. (University of Rhode Island)  
*Dissertation:* Probabilistic Approach to Pavement System Analysis  
*Field of Specialization:* Civil Engineering

Allen Robert Chilina, Pullman, Wash.

D.V.M. (Washington State University)  
*Dissertation:* Biochemical Studies *In Vitro* Carcinogenesis Using N-Methyl-N-Nitrosourea  
*Field of Specialization:* Biochemistry, Veterinary Pathology



Arlington W. Chisman, Jr., Hampton, Va.  
B.S., M.Ed. (Virginia State College)  
*Dissertation*: A Comparison of the Educational and Occupational Aspirations and Expectations of Black Secondary School Students in Career Education Programs with Black Secondary School Students not in Career Education Programs  
*Field of Specialization*: Education

Kuenja Choi Chung, Seoul, Korea  
B.S. (Seoul National University); M.S. (Western Illinois University)  
*Dissertation*: The Experimental and Theoretical Study of Sulfur Dioxide  
*Field of Specialization*: Chemistry

Jerome McClain Clemens, Columbus  
B.S.Ed., M.A.  
*Dissertation*: Estimates in the Mixed Space-Time Domain of the Conversion of Kinetic Energy Between the Mean Flow and the Eddies in the Great Lakes Atmosphere  
*Field of Specialization*: Geography

Robert Ulysses Coker, New Market, Tenn.  
B.A. (Georgetown College); M.S. (University of Tennessee)  
*Dissertation*: A Study of Current Status of Curricula in Vocational Education Department in Higher Education Institutions to Prepare State Personnel Development Supervisors  
*Field of Specialization*: Education

Gary Austin Crow, McArthur  
A.B. (Ohio University); M.S.W.  
*Dissertation*: Correlates of Teenage Drug Use  
*Field of Specialization*: Social Work

Robert Anthony D'Amato, Columbus  
B.S. (Stonehill College)  
*Dissertation*: Assay and Properties of Plasmalogenase Under Normal and Pathological Conditions  
*Field of Specialization*: Pathology

Richard Joseph Darwin, Columbus  
B.A. (University of Buffalo); M.A. (State University of New York at Buffalo)  
*Dissertation*: Geography, Economic Development and Spatial Policy  
*Field of Specialization*: Geography

Joseph Melvin Davis, University Heights  
B.S.Bus.Adm., M.A.  
*Dissertation*: Experimenting Schools: Work Toward a Theory of School Experimentation  
*Field of Specialization*: Education

Pamela Sue Diehl, Dayton  
B.S. (University of Dayton); M.A.  
*Dissertation*: Effects of a Season of Training and Competition on Selected Physiological Parameters in Female College Basketball Players  
*Field of Specialization*: Physical Education

Philip Paul Di Stefano, Steubenville  
B.S.Ed.; A.M. (West Virginia University)  
*Dissertation*: A Comparison of Student Attitudes Toward Traditional and Diversified Elective English Offerings  
*Field of Specialization*: Education

Rosie Nucklos Doughty, Columbus  
B.S.Ed., M.A.  
*Dissertation*: An Exploration of Some Associations Between Student-Community Unrest and the Promotion of Black Administrators in Public Schools  
*Field of Specialization*: Education

Owen Lowe Duncan, Jr., Huntington, W. Va.  
B.A. (Marshall University); M.A.  
*Dissertation*: The Political Career of Sir Henry Neville: An Elizabethan Gentleman at the Court of James I  
*Field of Specialization*: History

Rodney Wayne Durgin, Columbus  
B.S. (University of Maine); M.A. (Western Michigan University)  
*Dissertation*: A Model for Managing Career Guidance Programs in Secondary Schools of Ohio  
*Field of Specialization*: Education

Chester Joseph Dymek, Jr., Worcester, Mass.  
B.S., M.S. (College of the Holy Cross)  
*Dissertation*: An Analysis of the 000, 100, 010, and 110 Vibrational Levels of the  $A^2\Pi_u$  and  $X^2\Pi_g$  Electronic States of  $^{10}\text{B}^{16}\text{O}_2$  from Absorption Spectra in the Region 4000-5800 Å  
*Field of Specialization*: Chemistry

Steven Guy Ferguson, Chattanooga, Tenn.  
A.B. (University of Chattanooga); M.A.  
*Dissertation*: The Effects of Hierarchy Content Variations in the Systematic Desensitization of High Test Anxious College Students of Differing Self Reported Study Habits  
*Field of Specialization*: Psychology

Karen L. Filoso, Dayton  
B.S.Ed. (Miami University); M.A.  
*Dissertation*: Female Adolescents' Perceptions of Self, of Their Television Fictional Role Models, and of Their Real World Role Models An Exploratory Study  
*Field of Specialization*: Education

Edgar Fleenor, Jr., Indianapolis, Ind.  
B.S., M.A. (Indiana State University)  
*Dissertation*: The Perception of Problem Areas in Public Secondary Trade and Industrial Education Programs in Indiana  
*Field of Specialization*: Education

Albert William Flores, East Lake  
A.B. (Cleveland State University); M.A.  
*Dissertation*: Materialism: A Critical Evaluation of the Various Attempts to Defend this Thesis from the Problem Presented by the Phenomenal Properties of Sensations  
*Field of Specialization*: Philosophy

Thomas Rowland Foster, Plainfield, N. J.  
A.B. (Oberlin College)  
*Dissertation*: The Russell-Leibniz Definition of Identity: Some Problems  
*Field of Specialization*: Philosophy

- Allen Edward Fousek, Broadview Heights  
B.S., M.Ed. (Kent State University)  
*Dissertation*: New Car Dealers' Perception of Service and Repair Trainees Who Are Graduates of High School Vocational Programs  
*Field of Specialization*: Education
- Marcia Leigh Friedrich, Milwaukee, Wis.  
B.A. (University of Wisconsin); M.S.  
*Dissertation*: The Effects of Continuous High Temperature Incubation on the Development and the Glycogen Storing Ability of the Glycogen Body in Gallus Domesticus (Linnaeus)  
*Field of Specialization*: Anatomy
- Sara Schindler Garnes, Columbus  
B.A. (University of Iowa)  
*Dissertation*: Quantity in Icelandic: Production and Perception  
*Field of Specialization*: Linguistics
- Philip James Garry, Worthington  
B.A., M.S. (University of Iowa)  
*Dissertation*: A Study of the Influence of Dietary Vitamin A on the Level of Liver and Serum Cholinesterase in Rats  
*Field of Specialization*: Home Economics
- Lester Paul Gibson, Plain City  
B.S., M.S.  
*Dissertation*: A Review of the Genus *Urosigalphus* of South America (Hymenoptera: Braconidae)  
*Field of Specialization*: Entomology
- Gurdial Singh Gill, Punjab, India  
B.V.Sc. and A.H. (University of Panjab); M.Sc. (Panjab Agricultural University)  
*Dissertation*: Breeding and Selection Methods for Optimising a Profit Function in Dairy Cattle  
*Field of Specialization*: Dairy Science
- Antonio Gimenez-Cruz, Montreal, Que., Canada  
Lic. (University of Madrid); M.A.  
*Dissertation*: Estudio Historico Literario de la Cronica de Don Alvaro de Luna  
*Field of Specialization*: Romance Languages and Literatures
- Eloy Gonzalez, Wichita, Kan.  
B.Sc. (Saint Benedict's College); M.A. (University of Missouri)  
*Dissertation*: El Amadis de Gaula: Analisis e Interpretacion  
*Field of Specialization*: Romance Languages and Literatures
- Joni Linick Grant, Tampa, Fla.  
B.A. (El.Ed.) (San Fernando Valley State College); M.A.  
*Dissertation*: Certain Oral Communicative Skills of Young Children from Two Ethno-Economic Groups in Two Urban Communities  
*Field of Specialization*: Communication
- David Ross Gross, Columbus  
B.S., D.V.M. (Colorado State University); M.S.  
*Dissertation*: Pressure-Flow Relationships in the Left Common Coronary Artery of Horses and the Renal Artery of Dogs  
*Field of Specialization*: Veterinary Physiology and Pharmacology
- Hani Rizk Guirguis, Columbus  
B.C.E., Dipl. (Cairo University, Egypt); M.S.  
*Dissertation*: Application of Mechanistic Approach to Pavement Systems Permanent Deformation Evaluation  
*Field of Specialization*: Civil Engineering
- Stephen A. Hallock, Niles  
B.A. (Wittenberg University); M.S.  
*Dissertation*: Some Photochemical Reactions of Dimanganeseedecacarbonyl  
*Field of Specialization*: Chemistry
- Paul Leon Hammer, Jr., Falls Village, Conn.  
B.S. (University of Connecticut); M.S.  
*Dissertation*: Greenhouse Studies on the Effect of Chemical Growth Retardants on Shoot Growth of *Chrysanthemum morifolium* Ramat. and *Euphorbia pulcherrima* Willd.  
*Field of Specialization*: Horticulture
- William John Hannaford, Elyria  
B.A. (Denison University); M.B.A.  
*Dissertation*: A Comparative Study of Systems Selling by Industrial Distributors  
*Field of Specialization*: Business Administration
- Von Duane Hardesty, Painesville  
B.A. (Bluffton College); M.A. (Western Reserve University)  
*Dissertation*: Lev A. Tikhomirov and the Autocratic Principle: A Study of His Conservative Thought  
*Field of Specialization*: History
- Douglass Kenneth Hawes, Columbus  
B.E.E. (Rensselaer Polytechnic Institute); M.B.A.  
*Dissertation*: An Exploratory Nationwide Mail Survey of Married Adult Leisure-Time Behavior Patterns and the Satisfaction Derived from Leisure-Time Pursuits  
*Field of Specialization*: Business Administration
- Dwight Harold Hector, Columbus  
B.S. (Findlay College)  
*Dissertation*: Functional Anatomy of the Respiratory Apparatus of the Starling  
*Field of Specialization*: Zoology
- Rada Ruth Higgins, Miami, Fla.  
A.B. (University of Miami); M.S.  
*Dissertation*: On the Asymptotic Behavior of Certain Sequences  
*Field of Specialization*: Mathematics
- Donald William Hinrichs, Gettysburg, Pa.  
B.A. (Western Maryland College); M.A. (University of Maryland)  
*Dissertation*: Social Control, Skid Row and the Urban Rescue Mission: An Empirical Study  
*Field of Specialization*: Sociology
- Raymond Duane Hinrichs, Columbus  
B.A. (Holy Cross Seminary); M.A. (Illinois State University)  
*Dissertation*: Development and Prioritization of an Activity Base for the Practice of Student Development  
*Field of Specialization*: Education

- Joseph William Hoebler, Columbus  
B.S.Bus.Adm. (Duquesne University); M.A.  
*Dissertation*: Monetary Policy Indicators and Targets:  
Some Issues  
*Field of Specialization*: Economics
- Betty-ann Hoener, Kettering  
B.S. (University of Cincinnati)  
*Dissertation*: Alteration in the Circular Dichroism Spectra  
of 30S Ribosomal Subunits, Ribosomal RNA and Transfer  
RNA in the Presence of Aminocyclitol Antibiotics  
*Field of Specialization*: Pharmacy
- Russell William Howell, Ellicott City, Md.  
B.S. (Wheaton College)  
*Dissertation*: Annular Functions in Potential Theory and  
Probability  
*Field of Specialization*: Mathematics
- William Samuel Jacobs, Brooklyn, N. Y.  
A.B. (University of Rochester); M.A.  
*Dissertation*: EINA1 and Existence in Aristotle  
*Field of Specialization*: Philosophy
- Elizabeth Garner Joiner, York, S. C.  
A.B. (LaGrange College); M.A. (University of Georgia)  
*Dissertation*: Communicative Versus Non-Communicative  
Language Practice in the Teaching of Beginning College  
French: A Comparison of Two Treatments  
*Field of Specialization*: Education
- Virginia Stone Kaiser, Columbus  
B.S. (Murray State College); M.A.  
*Dissertation*: An Exploratory Study of Selected Spoken  
and Unspoken Behaviors in an Inner-City Mathematics  
Laboratory for Underachieving Students  
*Field of Specialization*: Education
- Ellyn Uram Kaschak, Valley Stream, N. Y.  
B.A. (Harpur College); M.A. (George Washington  
University)  
*Dissertation*: Non-Verbal Communication in Family  
Triads as a Function of the Sex of the Child  
*Field of Specialization*: Psychology
- James Bruce Kehr, Cleveland  
B.S. B.A. (Bowling Green State University); M.A.  
*Dissertation*: A Partial Analysis of the Factors that  
Affect Member Bank Reserves  
*Field of Specialization*: Economics
- Kenneth Jon Kellar, Baltimore, Md.  
B.A. (Johns Hopkins University)  
*Dissertation*: Studies of the Ventral Medial Hypothalamus  
*Field of Specialization*: Pharmacology
- Merwyn Allen Klehm, Charleston, Ill.  
B.S.Ed., M.S.Ed. (Eastern Illinois University)  
*Dissertation*: The Status of the Certification Requirements  
for Trade and Industrial Teachers in the United States  
*Field of Specialization*: Education
- Illane Rebecca Klein, Cleveland Heights  
A.B. (University of Michigan); M.A. (Case Western  
Reserve University)  
*Dissertation*: The Use of a Simulation Technique as an  
Integral Part of a School Psychology Training Program  
*Field of Specialization*: Education
- Amy Jean Kuntz, Columbus  
A.B. (George Washington University); M.S.  
*Dissertation*: Size Two Generators and Groups of  
Transformations Without a Finite Invariant Measure  
*Field of Specialization*: Mathematics
- Wayne Maurice Ladd, Columbus  
A.B. (Taylor University); M.A. (University of  
Minnesota)  
*Dissertation*: The Athletic Institute: A Study of an  
Organization and its Effect on and Reflection of the  
Development of Sport, Recreation and Physical Education  
in the United States  
*Field of Specialization*: Physical Education
- Albert Edward Langley, Windber, Pa.  
B.S. (Waynesburg College)  
*Dissertation*: Muscarinic Regulation of the Stimulated  
Release of Norepinephrine and Dopamine-Beta-  
Hydroxylase from Sympathetic Nerves to the Heart  
*Field of Specialization*: Pharmacology
- Robert Lee Lembright, Alliance  
A.B. (Miami University); M.A.  
*Dissertation*: Louise of Savoy and Marguerite  
D'Angouleme: Renaissance Patronage and Religious  
Reform  
*Field of Specialization*: History
- John Patrick Lewis, Worthington  
B.A. (Saint Joseph's College, Indiana); A.M. (Indiana  
University)  
*Dissertation*: The Economics of Intercommunications in  
the USSR: The Postal Service and Telephone and  
Telegraph Systems  
*Field of Specialization*: Economics
- Myran Elizabeth Lewis, Columbus  
B.A., M.A.  
*Dissertation*: Cleage: A Rhetorical Study of Black  
Religious Nationalism  
*Field of Specialization*: Communication
- Manuel London, Canton, Mass.  
A.B. (Western Reserve University); M.A.  
*Dissertation*: The Effects of Participation and  
Information on Group Process and Outcome  
*Field of Specialization*: Psychology
- Linda Ridge Lowry, Lebanon  
B.S.Ed., M.A.  
*Dissertation*: Humor in Instrumental Music: A Discussion  
of Musical Affect, Psychological Concepts of Humor and  
Identification of Musical Humor  
*Field of Specialization*: Music
- Vernon Dale Luft, Culbertson, Mont.  
B.S., M.S. (Montana State University)  
*Dissertation*: The Development of Guidelines for  
Recruitment Programs in Agricultural Education  
*Field of Specialization*: Agricultural Education
- Angela Lumpkin, Newport, Ark.  
B.S.E. (University of Arkansas); M.A.  
*Dissertation*: The Contributions of Women to the History  
of Competitive Tennis in the United States (1874-1974)  
*Field of Specialization*: Physical Education

Donald Joseph Mash, Columbus  
B.S.Ed. (Indiana University of Pennsylvania);  
M.A. (University of Pittsburgh)  
*Dissertation:* The Relationship of Women's Life-Style  
Preference and Personality During College  
*Field of Specialization:* Education

Frank F. Matthews, Westlake  
B.S. (California Institute of Technology); M.S.  
*Dissertation:* Measures of Creativity as These Relate to  
Placement in Honors Calculus  
*Field of Specialization:* Education

Marc-Antoine Mbaya, Lububashi, Zaire  
Licencia (University of the Congo); M.S.  
*Dissertation:* Dynamic Stability of a Cylindrical Shell in  
an Acoustic Medium  
*Field of Specialization:* Engineering Mechanics

Maxie Bennett McGhee, Lewisburg, W. Va.  
B.S.Agr., M.S. (West Virginia University)  
*Dissertation:* Attitudes of Superintendents, Principals,  
County Vocational Directors, and Guidance Counselors  
Regarding Vocational Agriculture in the Public Secondary  
Schools of West Virginia  
*Field of Specialization:* Agricultural Education

Joseph Edgar McVicker, Columbus  
B.E., M.S. (Youngstown State University)  
*Dissertation:* The Effect of Oxygen Pressure on the Free  
Vacuum Evaporation Rates of Zinc Oxide Single Crystal  
*Field of Specialization:* Metallurgical Engineering

Carl Allan Mentzer, Youngstown  
B.E.E., M.S.  
*Dissertation:* Analysis and Design of High Beam Efficiency  
Aperture Antennas  
*Field of Specialization:* Electrical Engineering

Gregory Allen Mihailoff, Mansfield  
B.S. (Ashland College); M.S.  
*Dissertation:* The Basilar Fontine Gray of the Opossum:  
A Correlated Light and Electron Microscopic Analysis  
*Field of Specialization:* Anatomy

John Richard Mohr, Indianapolis, Ind.  
B.S. (Indiana University); M.A.  
*Dissertation:* Development of a Master Plan for  
Postsecondary Education: The Indiana Experience  
1971-1973  
*Field of Specialization:* Education

Donald Lee Moon, Dayton  
B.S.E.E. (West Virginia Institute of Technology);  
M.S.E.E. (University of Toledo)  
*Dissertation:* Analog and Digital Resonant Sequency  
Filters for Walsh Functions  
*Field of Specialization:* Electrical Engineering

Lynn Shipman Morrow, Columbus  
B.S.Ed., M.A.  
*Dissertation:* Euripides' Treatment of Women: An  
Androgynous Answer  
*Field of Specialization:* Theatre

John Stephen Munzinger, Columbus  
A.B. (Gettysburg College); M.S.  
*Dissertation:* A Comparative Study on the Energetics of  
the Black-capped and Carolina Chickadees, *Parus  
atricapillus* and *Parus carolinensis*  
*Field of Specialization:* Zoology

Hebbur Narasimhamurthy Nagaraja, Tumkur, India  
B.E. (University of Mysore); M.E. (University of  
Roorkee)  
*Dissertation:* Application Studies of Scanning Electron  
Microscope Photographs for Micro-Measurements and  
Three Dimensional Mapping  
*Field of Specialization:* Geodetic Science

Charles M. Neal, Columbus  
B.S., M.S. (Indiana University of Pennsylvania)  
*Dissertation:* Energy Budget of the Eastern Chipmunk,  
*Tamias striatus*  
*Field of Specialization:* Zoology

Ronald L. Neeld, Kenner, La.  
B.A. (Louisiana State University); A.M. (University of  
Illinois)  
*Dissertation:* Global Constraints in Syntax  
*Field of Specialization:* Linguistics

Cecilia Cantrell Nelson, Columbus  
B.S. (University of Alabama); M.S.  
*Dissertation:* A Study of Life Satisfaction and Death  
Anxiety  
*Field of Specialization:* Sociology

Roichi Okabe, Nagoya, Japan  
A.B. (Nanzan University); A.M. (Indiana University)  
*Dissertation:* The Rhetoric of Distance Reduction in  
International and Intercultural Communication: A  
Methodology for Analysis and Its Application  
*Field of Specialization:* Communication

Kenneth Alfred Parker, Euclid  
B.S. (University of Massachusetts); M.A.  
*Dissertation:* Perceptions of Urban School Administrators,  
Teachers and Students Enrolled in Vocational Agriculture  
Concerning the Programs, Policies and Activities of the  
FPA Organization  
*Field of Specialization:* Agricultural Education

William Howard Paynter, Delaware  
B.S.Ed., M.A.  
*Dissertation:* A Philosophical Evaluation of Jerome S.  
Bruner's Psychology in Relation to the Theory and  
Practice of Social Studies Teaching  
*Field of Specialization:* Education

Michael Anthon Petersen, Ferron, Utah  
A.B. (University of California at Berkeley); M.A.  
*Dissertation:* Patterns and Determinants of Development  
Policy in Latin America, 1945-1968  
*Field of Specialization:* Political Science

Sister Lois Ann Pfiester, St. Catharine, Ky.  
A.B. (Catherine Spalding College); M.S. (Murray State  
University)  
*Dissertation:* Effects of Nitrogen on Asexual and Sexual  
Reproduction of *Peridinium cinctum* F. *ovoplanum*  
Lindemann  
*Field of Specialization:* Botany

- June Ann Kemmler Phillips, Pittsburgh, Pa.  
A.B. (University of Pittsburgh)  
*Dissertation*: A Study of the Applicability of Task Analysis Methodology and Learning Hierarchies to Second Language Reading  
*Field of Specialization*: Education
- Janis Racevskis, New York, N. Y.  
B.S. (City College of New York)  
*Dissertation*: Cytoplasmic Control of Ribosome Biogenesis  
*Field of Specialization*: Physiological Chemistry
- Paul Rappoport, Fairport, N. Y.  
A.B. (Oberlin College); M.A.  
*Dissertation*: Least Squares and its Alternatives in the Estimation of Dynamic Economic Models  
*Field of Specialization*: Economics
- Larry Peter Rathbun, San Luis Obispo, Calif.  
B.S., M.A. (California State Polytechnic College)  
*Dissertation*: The Relationship Between Participation in Vocational Student Organizations and Student Success  
*Field of Specialization*: Agricultural Education
- John Curtis Rees, Oxford  
B.S. (Bowling Green State University)  
*Dissertation*: An *In Vitro* and *In Vivo* Assessment of Cellular Immune Functions in Lung Cancer Patients  
*Field of Specialization*: Microbiology
- Kay Reynolds, Meridian, Miss.  
B.M.Ed. (Louisiana State University and Agricultural and Mechanical College); M.A.  
*Dissertation*: Modification of the Observational System for Instructional Analysis Focusing on Appraisal Behaviors of Music Teachers in Small Performance Classes  
*Field of Specialization*: Music
- Pamela Sue Kubach Robinson, Delaware  
B.S.Ed. (Ohio University); M.A. (Michigan State University)  
*Dissertation*: The Physiological Effects of Chronic Heavy Physical Training on Female Age-Group Swimmers  
*Field of Specialization*: Physical Education
- Bruce Jay Rosenberg, Brooklyn, N. Y.  
B.S. (Brooklyn College)  
*Dissertation*: An *Ab Initio* Self-Consistent Field and Configuration Interaction Study of the Ground State of the Water Molecule  
*Field of Specialization*: Chemistry
- †Carolyn Clifford Ross, Eaton  
B.A., M.A. (Miami University)  
*Dissertation*: Dryden's Concept of Originality  
*Field of Specialization*: English
- William James Rost, Euclid  
B.S.Ed., M.A.  
*Dissertation*: The Identification of Elementary School Children's Musical Concepts as a Function of Two Types of Musical Literature and Environment  
*Field of Specialization*: Music
- Vincent John Russo, Columbus  
B.S.Mech.E. (University of Rochester); M.S. Materials Engr. (Air Force Institute of Technology)  
*Dissertation*: An Elastic-Plastic Investigation of the Site of Crack Initiation in Aluminum Notched Bars Subjected to Three Point Bending  
*Field of Specialization*: Metallurgical Engineering
- Maurice Kwamina Saah, Cape Coast, Ghana  
B.S. (University of Wisconsin); M.A. in Ed. (University of California)  
*Dissertation*: Review and Synthesis of Research on Agricultural Education in Developing Countries  
*Field of Specialization*: Agricultural Education
- Sister Rita Marie Schmitz, St. Louis, Mo.  
B.A. (Pontbonne College); M.S. (Southern Illinois University)  
*Dissertation*: Cognitive Functioning of Four-Year-Old Children as Related to Sex, Residence, and Income  
*Field of Specialization*: Home Economics
- Dharam Parkash Sharma, Simla Hills, India  
B.Sc., M.Sc. (Panjab Agricultural University)  
*Dissertation*: Effect of Pesticides on Photosynthesis of Apple (*Malus sylvestris* Mill.)  
*Field of Specialization*: Horticulture
- Edwin Lawrence Shay, Manlius, N. Y.  
B.S. (University of Notre Dame)  
*Dissertation*: A Study of Relationships Among Selected Teacher Variables and Expressed Preference for Student-Centered, Non-Direct Science Education  
*Field of Specialization*: Education
- Eva Hanski Shinar, Jerusalem, Israel  
B.A. (Hebrew University of Jerusalem); M.A.  
*Dissertation*: Interpersonal Perception as a Function of Occupation and Sex  
*Field of Specialization*: Psychology
- William Ervin Slack, Glendale, W. Va.  
B.S. (West Liberty State College); M.S.  
*Dissertation*: Mechanistic Features in Rearrangement to Divalent Carbon  
*Field of Specialization*: Chemistry
- Wilson Sextex Smith, Columbus  
B.A. (Clark College); M.A.T. (Oberlin College)  
*Dissertation*: Organizational Role, Leader Behavior and Aspects of Problem Perception in Educational Administration  
*Field of Specialization*: Education
- ‡Chung Min Song, Columbus  
B.S. (Utah State University); M.S.  
*Dissertation*: Isozyme Variations in *Arabidopsis thaliana*  
*Field of Specialization*: Genetics
- Judith Mary Sostarich, Brookfield, Wis.  
B.S. (University of Wisconsin); M.A.  
*Dissertation*: A Study of the Reading Behavior of Sixth-Graders: Comparison of Active and Other Readers  
*Field of Specialization*: Education

† Degree granted in cooperation with Miami University

- Michael William Spicer, Columbus  
B.S.Bus.Adm., M.A.  
*Dissertation:* A Behavioral Model of Income Tax Evasion  
*Field of Specialization:* Public Administration
- Frederick Alan Starke, Winnipeg, Man., Canada  
B.A., M.B.A. (Southern Illinois University)  
*Dissertation:* A Test of Selected Postulates Underlying Expectancy Theory  
*Field of Specialization:* Business Administration
- Gordon Stephen Stein, New Rochelle, N. Y.  
A.B. (University of Rochester); M.Sc. (Adelphi University)  
*Dissertation:* Control of Ovarian Maturation in the Japanese Quail (*Coturnix coturnix japonica*)  
*Field of Specialization:* Poultry Science
- John Noel Stitzlein, Loudonville  
B.S.Agr., M.S.  
*Dissertation:* The Economics of Agricultural Mechanization in Southern Brazil  
*Field of Specialization:* Agricultural Economics and Rural Sociology
- Larry Allen Stockum, Coshocton  
B.E.E., M.S.  
*Dissertation:* A Study of Guidance Controllers for Homing Missiles  
*Field of Specialization:* Electrical Engineering
- Daniel Evan Strayer, Fairborn  
B.A. (Ohio Wesleyan University); M.B.A.  
*Dissertation:* Managing Change in a Complex Organization: An Empirical Study  
*Field of Specialization:* Business Administration
- John Raymond Street, Monessen, Pa.  
B.S. (California State College of Pennsylvania); M.S.  
*Dissertation:* The Influence of Silica Concentration on the Chemical Composition and Decomposition of Turfgrass Tissue and Water Absorption Rates Among Three Turfgrass Species  
*Field of Specialization:* Agronomy
- John Wilbert Suomela, Columbus  
B.A. (University of Minnesota); M.A.  
*Dissertation:* Optimal Tariffs and Optimal Economic Integration  
*Field of Specialization:* Economics
- Arrel Dwayne Toews, Kremlin, Okla.  
B.A. (Tabor College)  
*Dissertation:* Spinal Cord Myelin: Insolation, Purification, Composition, and Effects of Trauma  
*Field of Specialization:* Physiological Chemistry
- Elton Roger Trent, Manchester  
B.A., B.S.Ed., M.A.  
*Dissertation:* An Analysis of Sex Differences in Psychological Differentiation  
*Field of Specialization:* Psychology
- Masaru James Tsujita, Olds, Alta., Canada  
B.S. (Utah State University); M.S. (University of Alberta, Canada)  
*Dissertation:* The Effects of Light, Temperature, Nitrogen Nutrition, and Media on the Growth, Flowering, Quality, and Chemical Composition of *Chrysanthemum morifolium* cv. Indianapolis Yellow  
*Field of Specialization:* Horticulture
- William Eugene Unger, Jr., Mt. Morris, Ill.  
B.A., M.A.  
*Dissertation:* Implied Authors and Created Readers in Thackeray, Trollope, Charlotte Brontë, and George Elliot  
*Field of Specialization:* English
- Harvey Edgar Vance, Columbus  
B.A. (Otterbein College)  
*Dissertation:* An Exploratory Study in Values Clarification and its Relationship to a More Unified Valuing Process  
*Field of Specialization:* Education
- Rebecca Morrison Van Voorhis, Louisville  
B.A. (Baldwin-Wallace College); M.S.W.  
*Dissertation:* Unwanted Fertility: Its Effect on Poverty  
*Field of Specialization:* Social Work
- William Paul Varga, Columbus  
B.A. (Otterbein College); M.A.  
*Dissertation:* Julius Streicher: A Political Biography, 1885-1933  
*Field of Specialization:* History
- John Calvin Wagner, Columbus  
A.B. (Haverford College); B.D. (Yale University Divinity School); M.S.T. (Drew University)  
*Dissertation:* Relationships Between Personal Needs and Performance Ratings of Educational Project Managers  
*Field of Specialization:* Education
- Marjorie Wilson Wall, Guelph, Ont., Canada  
B.H.Sc., M.Sc. (University of Guelph)  
*Dissertation:* Consumer Satisfaction with Clothing Wear and Care Performance and Consumer Communication of Clothing Performance Complaints  
*Field of Specialization:* Home Economics
- Nan N. Wang, Taipei, Taiwan  
B.S.E. (Taiwan Cheng Kung University); M.S. (University of Mississippi)  
*Dissertation:* Reaction Formulation for Radiation and Scattering From Plates, Corner Reflectors and Dielectric-Coated Cylinders  
*Field of Specialization:* Electrical Engineering
- Mary-Jane Evans Warner, Toronto, Ont., Canada  
B.A. (University of Toronto); M.A.  
*Dissertation:* Gavottes and Bouquets: A Comparative Study of Changes in Dance Style Between 1700 and 1850  
*Field of Specialization:* Theatre
- Ralph Edward Weber, Lakewood  
B.A., M.A.  
*Dissertation:* Word Accent in Serbocroatian, Including Comparisons with Russian  
*Field of Specialization:* Slavic Languages and Literatures
- Albert James Wehrle, Bay Village  
B.A. (College of Wooster); M.A.  
*Dissertation:* Tensions in the Poetry of F. I. Tjutčev  
*Field of Specialization:* Slavic Languages and Literatures

Steven Edward Weisbrode, Philadelphia, Pa.  
V.M.D. (University of Pennsylvania); M.S.  
*Dissertation*: Ultrastructural and Enzymatic Studies on  
the Interaction of Vitamin D, Parathyroid Hormone and  
Uremia on Bone  
*Field of Specialization*: Veterinary Pathology

James Lee Wilder, Galion  
B.S.Ed., M.A.  
*Dissertation*: The Relationship of Experience and  
Behavior: Towards a Theory of Psychophysiological  
Foundations of Social Education  
*Field of Specialization*: Education

Danley Bryan Wolfe, Columbus  
B.Ch.E., M.S.  
*Dissertation*: Transient High Speed Adsorption and  
Reaction Studies of Benzene Hydrogenation on Nickel  
Catalyst  
*Field of Specialization*: Chemical Engineering

Joseph Yoshiyuki Yasutake, Dayton  
B.S. (University of Illinois); A.M. (New York  
University)  
*Dissertation*: Short and Long Term Retention of Written  
Materials as a Function of the Pacing and Mode of  
Adjunct Questions  
*Field of Specialization*: Psychology

John Calvin Yeager, Mansfield  
B.A. (Miami University)  
*Dissertation*: Effects of Hypercapnia on the Coronary  
Vascular Resistance of the Dog  
*Field of Specialization*: Physiology

David William Zisenwine, Columbus  
B.A.; M.A. (Columbia University)  
*Dissertation*: A Reconceptualization of Foundations for  
Curriculum Development in Jewish Education  
*Field of Specialization*: Education

**Master of Accounting**

Three candidates

Alex Milli, Columbus  
B.S.Bus.Adm., M.B.A.  
*Field of Specialization: Accounting*

James Earl Moore, Dayton  
B.A. (University of North Carolina)  
*Field of Specialization: Accounting*

Paul Daniel Wibbeler, II, Columbus  
B.S. (Purdue University)  
*Field of Specialization: Accounting*

**Master of Architecture**

Three candidates

Julsing James Lamsam,  
Bangkok, Thailand  
B.Arch.  
*Field of Specialization: Architecture*

Joseph Arthur Rainwater,  
Silver Spring, Md.  
B.Envir.Des. in Arch. (North  
Carolina State University at Raleigh)  
*Field of Specialization: Architecture*

Farid Amin Shaker,  
Riyadh, Saudi Arabia  
B.Arch. (University of Oregon)  
*Field of Specialization: Architecture*

**Master of Arts**

Two hundred and seventy-nine candidates

Daniel Joseph Abrahamowicz,  
Amherst  
B.A. (Cleveland State University)  
*Field of Specialization: Education*

Phyllis Ann Ackerman, Peoria, Ill.  
B.A. (Arizona State University)  
*Field of Specialization: Education*

Mark James Amrhein, Columbus  
B.S.Ed.  
*Field of Specialization: Education*

Dana DeWitt Anderson,  
St. Simons Island, Ga.  
B.A. (Antioch College)  
*Field of Specialization: Psychology*

Vivian Anderson,  
East Massapequa, N. Y.  
B.S. (Saint Augustine's College)  
*Field of Specialization: Physical  
Education*

Jo Lynn Andrews, Columbus  
B.A. (Ohio Wesleyan University)  
*Field of Specialization: Education  
Communication*

Robert Samuel Andrews, Westerville  
B.S.Ed (Miami University)  
*Field of Specialization: Education*

Rosetta Amelia Armour, Columbus  
A.B. (Talladega College);  
M.Ed. (Springfield College)  
*Field of Specialization: Education*

Barbara Laura Artino, Lyndhurst  
B.S.Ed. (Miami University)  
*Field of Specialization: Music*

Susan Marie Aurand, Worthington  
B.A. (Kalamazoo College)  
*Field of Specialization: Art*

Joan Van Almen Balske,  
Bowling Green  
B.S. (Bowling Green State  
University)  
*Field of Specialization: Education*

Sara Jane Bancroft, Columbus  
B.S. (Kent State University)  
*Field of Specialization: Education*

Robert Douglas Banister,  
Worthington  
A.B. (Grinnell College)  
*Field of Specialization: Education*

Francisco M. Bataller,  
Valencia, Spain  
Licenciado en Der. (University of  
Duesto, Spain)  
*Field of Specialization: Economics*

Richard A. Baumer, Jr., Columbus  
B.S.Bus.Adm.  
*Field of Specialization: Business  
Administration*

Mary Vallen Beall, Columbus  
B. of Mus. (Ohio Wesleyan  
University)  
*Field of Specialization: Music*

Deborah Jean Bennett, Dayton  
B.Art Ed.  
*Field of Specialization: Art  
Education*

Elaine Kay Biagi, Schnectady, N. Y.  
B.F.A.  
*Field of Specialization: Dance*

James Arthur Bireckbichler,  
Westerville  
B.A.  
*Field of Specialization: Public  
Administration*

Marion Louise Bischof, Parma  
B.S. (Kent State University)  
*Field of Specialization: Education*

Michael Lee Blackman, Cincinnati  
B.A. (Baylor University)  
*Field of Specialization: Journalism*

Nadine Ludwig Block, Worthington  
B.S. (University of Wisconsin)  
*Field of Specialization: Education*

Robyn Sue Bohme,  
Rose Bay, Australia  
Diploma (Alexander Mackie College)  
*Field of Specialization: Music*

Cheryl Cook Boley, Columbus  
B.S.Ed.  
*Field of Specialization: Education*

Byron Keith Bonar, Hamilton  
A.B. (Morehead State University)  
*Field of Specialization: Economics*

LeRoy Russell Bonneau, Jr.,  
Pittsburgh, Pa.  
A.B. (Greensboro College)  
*Field of Specialization: Public  
Administration*

Frank R. Bosse, Buffalo, N. Y.  
B.A. (State University of New York  
at Buffalo)  
*Field of Specialization: Public  
Administration*

Linda Ann Bott, Hudson  
A.B. (Ohio University)  
*Field of Specialization: Psychology*

Ellen Gorman Bowden, Columbus  
B.S.Ed. (West Virginia University)  
*Field of Specialization: Education*

Kim Sturgeon Boyd, Westerville  
B.S. (Indiana State University)  
*Field of Specialization: Music*

John Michael Brandt, Columbus  
B.S.Bus.Adm.  
*Field of Specialization: Business  
Administration*

David Allen Breckenridge, Columbus  
B.Mus. (University of Cincinnati)  
*Field of Specialization: Music*

Susan Krody Bremer, Reynoldsburg  
B.S.H.E.  
*Field of Specialization: Education*

Eric Saul Brown, Dayton  
B.G.S. (Ohio University)  
*Field of Specialization: Public  
Administration*

Pamela Adele Brown,  
South River, N. J.  
B.A. (Rider College)  
*Field of Specialization: Journalism*



David Allen Brunson, Euclid  
A.B. (East Carolina University)  
*Field of Specialization: Economics*

Barbara Brumbaugh Buehler,  
Columbus  
B.A. (Kent State University)  
*Field of Specialization: Education*

Sally Kerr Byrd, Columbus  
B.S.Ed.  
*Field of Specialization: Education*

Susan Edwina Callender, Xenia  
B.S.Ed.  
*Field of Specialization: Education*

Alan John Campbell, Stratford, Conn.  
A.B. (Assumption College)  
*Field of Specialization: Geography*

Elizabeth Wolfe Carpenter, Columbus  
B.A. (Capital University)  
*Field of Specialization: Education*

Charlene Ann Castellano,  
Franklin Square, N. Y.  
B.S.Lang. (Georgetown University)  
*Field of Specialization: Slavic  
Languages and Literatures*

Susan Ann Cavanaugh, Columbus  
B.S.H.E.  
*Field of Specialization: Education*

Sue Osborne Chandler, Columbus  
B.S.Ed. (Central State University)  
*Field of Specialization: Education*

Steven Wayne Chapin, Cincinnati  
B.S. in Bus.Adm. (Bowling Green  
State University)  
*Field of Specialization: Public  
Administration*

Robert Edward Christy, Bremen  
B.A.  
*Field of Specialization: Education*

Roderick Earl Clay, Worthington  
A.B. (Cornell University)  
*Field of Specialization: English*

Connie Powell Cline, Columbus  
B.S.Ed.  
*Field of Specialization: Education*

Julianna R. Cochran, Fredericktown  
B.S.Ed.  
*Field of Specialization: Communication*

Jane Hill Coddington, Columbus  
B.S. (Dickinson College)  
*Field of Specialization: Communication*

Margaret Bozarth Cohen,  
Grove City  
B.S. (Ohio Northern University)  
*Field of Specialization: Education*

Kathryn Sharretts Corl,  
Johnstown, Pa.  
B.A. (Slippery Rock State College)  
*Field of Specialization: German*

George Bernard Cotkin, Bronx, N. Y.  
B.A. (Brooklyn College)  
*Field of Specialization: History*

Lawrence Earl Cunningham,  
Columbus  
B.S.  
*Field of Specialization: Psychology*

Linda E. Cunningham, Columbus  
B.Art Ed.  
*Field of Specialization: Education*

Rose Mary Cusick, Columbus  
B.S.Ed.  
*Field of Specialization: Education*

Jane Kempner Daniels, Mt. Vernon  
B.S.Ed.  
*Field of Specialization: Education*

Nick Anthony D'Anniballe,  
Staubenville  
B.S. (University of Dayton)  
*Field of Specialization: Economics*

Ray Junior Davis, Bridgeport, Conn.  
B.S. (University of Maryland)  
*Field of Specialization: Education*

Diane Garcelon DeMuth,  
Worthington  
B.S.Ed.  
*Field of Specialization: Education*

James Chapley Denman, Jr.,  
Fairborn  
B.B.A., LL.B. (University of  
Georgia)  
*Field of Specialization: Public  
Administration*

Madeleine Malay Dickerson,  
Columbus  
B.A. (Capital University)  
*Field of Specialization: Education*

Marilyn Kaye Dietrich, Carmel, Ind.  
B.A. (Michigan State University)  
*Field of Specialization: Education*

Kristin Lisa Draudt, Hamburg, N. Y.  
B.A. (State University of New York  
College at Potsdam)  
*Field of Specialization: Dance*

Donald James Eckert, Akron  
B.S. (Michigan State University)  
*Field of Specialization: Psychology*

Myra Jane Elmore, Poquoson, Va.  
B.Mus.Ed. (Madison College)  
*Field of Specialization: Music*

Joanne Jocha Ervin, Mansfield  
B.S.Ed.  
*Field of Specialization: Communication*

Deborah Rock Evans, Columbus  
B.S. (Defiance College)  
*Field of Specialization: Political  
Science*

Linda Czetli Evans, Columbus  
B.A. (Hiram College)  
*Field of Specialization: Education*

Martha Reeves Fazio, Atlanta, Ga.  
B.A. (Tulane University of  
Louisiana)  
*Field of Specialization: Classics*

Lawrence Payne Fields, Columbus  
B.S. in Ed. (Otterbein College)  
*Field of Specialization: Education*

Kathleen Margaret Finerty, Columbus  
B.S.Ed.  
*Field of Specialization: Physical  
Education*

Philip Lee Fishman,  
Marblehead, Mass.  
B.S.Ed.  
*Field of Specialization: Journalism*

Grace Morris Flanders, Columbus  
B.A. (New Jersey State Teachers  
College)  
*Field of Specialization: Education*

Susan Marie Fortener, Miamisburg  
B.S.Ed.  
*Field of Specialization: Education*

Lynn Andreasen Freeman, Columbus  
B.S. (Ogelthorpe College)  
*Field of Specialization: Education*

Maria das Gracias Furtado,  
Espirito Santo, Brazil  
Licentiate (Universidade Federale de  
Espirito Santo, Brazil)  
*Field of Specialization: Education*

Sheila Graves Geoghegan,  
Bridgeport, Conn.  
B.A. (University of Bridgeport)  
*Field of Specialization: Linguistics*

James Clinton Geyer, Mt. Perry  
B.S.Ed.  
*Field of Specialization: Education*

James Edgar Gibson, Columbus  
B.S.Ed.  
*Field of Specialization: Health  
Education (Physical Education)*

- Zenovy Golembiowsky, Cleveland  
B.S.Ed. (Cleveland State University)  
*Field of Specialization*: Physical Education
- Phoebe Lynne Golke, Fairview Park  
B.S.Ed.  
*Field of Specialization*: Education
- Fernando Jimenez Gomez,  
Sevilla, Spain  
Licenciado (Universidad de Valencia)  
*Field of Specialization*: Romance Languages and Literatures
- Ronald Porter Good, Marietta  
B.S.  
*Field of Specialization*: Public Administration
- Juanita Hollis Gordon, Cincinnati  
B.S.Ed. (Ohio University)  
*Field of Specialization*: Education
- Sandra Gabric Gould, Columbus  
B.S.Ed.  
*Field of Specialization*: Education
- Cynthia Bette Goulfne,  
Poughkeepsie, N. Y.  
B.S. (University of Bridgeport)  
*Field of Specialization*: Education
- Elaine Carter Greten, Coshocton  
B.A. (Muskingum College)  
*Field of Specialization*: Journalism
- Patricia Recinella Griffin, Columbus  
B.S.Ed.  
*Field of Specialization*: Education
- Howard Gross, Yonkers, N. Y.  
A.B. (Herbert H. Lehman College)  
*Field of Specialization*: Communication
- Kenneth Edward Grugel, Cleveland  
B.Ed. (University of Toledo)  
*Field of Specialization*: Education
- Carol Hoag Gundlach, Columbus  
B.A. (Marygrove College)  
*Field of Specialization*: Education
- Jon Aubrey Hageseth,  
Wichita Falls, Tex.  
B.A. (Augsburg College)  
*Field of Specialization*: Psychology
- Michael Keith Hainline,  
Claremont, Calif.  
B.A. (University of California)  
*Field of Specialization*: Political Science
- Barbara Alice Hall, East Liverpool  
B.S.Ed.  
*Field of Specialization*: Education
- Kirkland Jon Hall,  
Princess Anne, Md.  
B.S. (University of Maryland)  
*Field of Specialization*: Physical Education
- Richard Cooper Hall, Maumee  
B.A. (Vanderbilt University)  
*Field of Specialization*: History
- Nancy Ann Hanle, Crystal, Minn.  
B.A. (Hamline University)  
*Field of Specialization*: Psychology
- Heidi Hildegard Hansen,  
Cleveland Heights  
B.S.Ed.  
*Field of Specialization*: Physical Education
- Sandra Werth Harbrecht, Columbus  
B.S.Ed. (Kent State University)  
*Field of Specialization*: Education
- John Albert Harder, Columbus  
B.A. (Goshen College)  
*Field of Specialization*: English
- Edwin B. Harris, Liverpool, N. Y.  
B.A. (Le Moyne College)  
*Field of Specialization*: Education
- Kevin John Hartigan, Buffalo, N. Y.  
B.A. (Le Moyne College)  
*Field of Specialization*: Psychology
- Marianna Crips Hartmann, Mansfield  
B.S.Ed.  
*Field of Specialization*: Communication
- William David Hauelsen, Columbus  
B.A. (Capital University); M.Div.  
(Evangelical Theological Seminary)  
*Field of Specialization*: Communication
- Alberta Joann Heckel, Painesville  
B.A. (Baldwin-Wallace College)  
*Field of Specialization*: Romance Languages and Literatures
- Stephen Alan Heft, Columbus  
B.A. (Capital University)  
*Field of Specialization*: Education
- Steven Lawrence Heiser, Beachwood  
B.A. (Swarthmore College)  
*Field of Specialization*: Public Administration
- James Ross Henderson, Columbus  
B.S.Ed. (Central State College)  
*Field of Specialization*: Education
- Barbara Henley, Chicago, Ill.  
A.B. (University of Illinois)  
*Field of Specialization*: Education
- Robert Kevin Herbert,  
Beechhurst, N. Y.  
B.A. (Queens College)  
*Field of Specialization*: Linguistics
- Stephen Ralph Herendeen,  
New Lexington  
B.A. (University of North Carolina)  
*Field of Specialization*: Journalism
- Sabine S. Himmelfarb, Chicago, Ill.  
B.A. (University of Chicago)  
*Field of Specialization*: Psychology
- Beth Zarlie Hohenberger, Columbus  
B.S.Ed.  
*Field of Specialization*: Education
- Mary Jane Holcomb, Eugene, Ore.  
B.F.A.  
*Field of Specialization*: Dance
- Marcia Richter Horvath, Columbus  
A.B. (College of Mount Saint Joseph on the Ohio)  
*Field of Specialization*: Education
- Wen-Chyuan Hsieh, Taipei, Taiwan  
B.Ed. (National Taiwan Normal University)  
*Field of Specialization*: Education
- James Lee Humphrey, Columbus  
B.S.Ed.  
*Field of Specialization*: Physical Education
- Nancy Hamilton Hurd, Columbus  
A.B. (Hillsdale College)  
*Field of Specialization*: Education
- Steven Carl Husemann, Cincinnati  
B.S.Bus.Adm.  
*Field of Specialization*: Public Administration
- Michael Benoy Jackson, Dallas, Tex.  
B.S.Ed. (Langston University)  
*Field of Specialization*: Psychology
- George William Jacoby,  
Pittsburgh, Pa.  
B.A. (University of Pittsburgh)  
*Field of Specialization*: Public Administration
- Doris Whetstone James, Springfield  
B.A. (Knoxville College)  
*Field of Specialization*: Education
- Thomas Edison James, Jr.,  
Tampa, Fla.  
B.A. (University of South Florida)  
*Field of Specialization*: Political Science
- Sue Ann Jemison, Reynoldsburg  
B.S.Ed.  
*Field of Specialization*: Education

- Daniel Jerman, Columbus  
B.A.  
*Field of Specialization:* Education
- Edwina Lynnette Johnson, Columbus  
B.Edu. (University of Toledo)  
*Field of Specialization:* Education
- Jeannette Selby Johnson, Warren  
B.S.H.E.  
*Field of Specialization:* Education
- Virginia Johnson, Lancaster  
B.S.Ed. (Ohio University)  
*Field of Specialization:* Education
- Carol Lee Jones, Columbus  
B.S.Ed.  
*Field of Specialization:* Education
- Juan Mario Jorrat,  
Tucuman, Argentina  
Con.Pub.Nac. (National University  
of Tucuman)  
*Field of Specialization:* Economics
- Nancy Jean Kadunc, Euclid  
B.S.Ed.  
*Field of Specialization:* Education
- Rosita Kapetanović, Powell  
B.A.  
*Field of Specialization:* Linguistics
- Paul Raymond Kauffman, Ashland  
B.A. (Ashland College)  
*Field of Specialization:* Education
- Sarah Sidebottom Kearns, Columbus  
B.A.  
*Field of Specialization:*  
Communication
- Dennis Allan Kelly, Akron  
A.B. (Princeton University)  
*Field of Specialization:* Psychology
- Douglas Flemming Kennard, Lima  
B.S. (Ball State University)  
*Field of Specialization:* Education
- Mary Marjorie King, Tucson, Ariz.  
B.A. (University of Arizona)  
*Field of Specialization:* History
- Yvonne Frances King, Parma  
B.S. (Saint John College of  
Cleveland)  
*Field of Specialization:* Education
- James Edward Knapp, Columbus  
B.A. (College of Saint Charles  
Borromeo)  
*Field of Specialization:* Education
- Robert Andrew Kohan,  
Newton Square, Pa.  
A.B. (Eastern Baptist College)  
*Field of Specialization:* History
- Irene Schaefer Konkel, Shadyside  
A.B. (West Liberty State College)  
*Field of Specialization:* Education
- Joan Gracia Kotker, Worthington  
B.A.  
*Field of Specialization:* English
- Gary Allen Kreuchauf,  
Saginaw, Mich.  
A.B. (University of Michigan)  
*Field of Specialization:* Psychology
- Paul Geoffrey Kreuzer,  
Bayside, N. Y.  
B.A. (University of Rochester)  
*Field of Specialization:* English
- Barbara Knoch Laird, Westerville  
B.S.Ed.  
*Field of Specialization:* Education
- Barbara Waters Lamka,  
St. Clairsville  
B.S.Ed.  
*Field of Specialization:* Physical  
Education
- Janice Susan Lave, Parma  
B.S.Ed.  
*Field of Specialization:* Education
- Katherine Drobot Lawrence, Columbus  
B.A.  
*Field of Specialization:* Romance  
Languages and Literatures
- Linda Kay Lease, Columbus  
B.S.Ed.  
*Field of Specialization:* Education
- Gregory William Lehman,  
Milwaukee, Wis.  
B.S. (University of Wisconsin)  
*Field of Specialization:* Physical  
Education
- Joyce Ann Lemke, Canton  
B.A. (Malone College)  
*Field of Specialization:* Education
- Naomi Susan Leventhal,  
Oceanside, N. Y.  
B.A. (State University of New York  
at Albany)  
*Field of Specialization:* English
- Ruth Hoge List, Columbus  
B.S.Nurs.  
*Field of Specialization:* Education
- Larry Ray Long, Woodsfield  
B.A. (Abilene Christian College)  
*Field of Specialization:* English
- Christine Haughwout Luckey,  
Columbus  
B.S.Ed. (Ohio University)  
*Field of Specialization:* Education
- Thomas Dee Luten, Youngstown  
B.S.  
*Field of Specialization:* Education
- Deborah Deen Madden, Fairview Park  
B.F.A.  
*Field of Specialization:* Art
- Betty Hall McCummings, Columbus  
B.S. (North Carolina Central  
University)  
*Field of Specialization:* Public  
Administration
- Virgil Otis McGlamery, Jr.,  
Reynoldsburg  
B.S. (Central State College)  
*Field of Specialization:* Education
- James Carlos McGuire, Marion  
B.S.Ed.  
*Field of Specialization:* Education
- David John McIntyre, Westerville  
B.A. (Otterbein College)  
*Field of Specialization:* Education
- Richard Allen McNeely, Dayton  
B.A.  
*Field of Specialization:* Education
- Robert William McPeck,  
Waukegan, Ill.  
B.S. (Loyola University)  
*Field of Specialization:* Psychology
- Jack Gardner Mehl, Columbus  
B.A. (Otterbein College)  
*Field of Specialization:* Physical  
Education
- Thomas Alfred Meister, Columbus  
B.A. (Hiram College)  
*Field of Specialization:* Public  
Administration
- Robert Joseph Mersy, Columbus  
B.S.Ed.  
*Field of Specialization:* Physical  
Education
- Frank Stephen Meszaros, Columbus  
B.A.  
*Field of Specialization:* History
- John Fred Meyer, Columbus  
B.A., B.S.Ed.  
*Field of Specialization:* Journalism
- Ada Castillo Mezrich, Lima, Peru  
Psicologo Profes. (Pontificia  
Universidad Catolica del Peru)  
*Field of Specialization:* Psychology
- Elizabeth Barnard Miller, Columbus  
B.A.Ed. (Fairmont State College)  
*Field of Specialization:* Education
- Norman Gene Miller, Cincinnati  
B.S.Bus.Adm.  
*Field of Specialization:* Business  
Administration

Rudolph Mitchell, Hahira, Ga.  
B.S. (Kentucky State College)  
*Field of Specialization: Music*

Sharon Ann Mitchell, Deerfield, Fla.  
B.A. (Bennett College)  
*Field of Specialization: Education*

Thamrongsak Moenjok,  
Dhomburi, Thailand  
B.Ed. (College of Education)  
*Field of Specialization: Education*

Doris Gildea Morgan, Columbus  
B.S. in Edu. (University of Dayton)  
*Field of Specialization: Journalism*

Samuel Andrew Moseley,  
Greensboro, N. C.  
B.S. (Agricultural and Technical  
College of North Carolina)  
*Field of Specialization: Political  
Science*

Kathleen Walker Murph, Columbus  
B.S.Ed.  
*Field of Specialization: Education*

Richard Henry Nelson,  
American Fork, Utah  
B.A. (Brigham Young University)  
*Field of Specialization: Political  
Science*

Stephen Edward Newhouse, Columbus  
B.A.  
*Field of Specialization: Journalism*

Katherine Germaine Newton,  
Reynoldsburg  
B.A. (Cedarville College)  
*Field of Specialization: Education*

Floretta Wilson Nickerson, Columbus  
B.S. in H.Ec. (Delaware State  
College)  
*Field of Specialization: Education*

Grace Gaeta Nunn, Columbus  
B.S.Ed.  
*Field of Specialization: Education*

Christine Mason O'Connell, Columbus  
B.S. (University of Oregon)  
*Field of Specialization: Education*

David Henry Ohle, Steubenville  
B.S. (United States Military  
Academy)  
*Field of Specialization: Psychology*

Michael Albert Olivas, Columbus  
B.A. (Pontifical College Josephinum)  
*Field of Specialization: English*

David Michael Orenstein,  
Philadelphia, Pa.  
A.B. (Temple University)  
*Field of Specialization: Sociology*

Maureen Ann O'Toole, Clinton, Mass.  
B.A. (University of Massachusetts)  
*Field of Specialization: Slavic  
Languages and Literatures*

Elizabeth Jeanne Pavlish,  
Independence  
B.S.Ed.  
*Field of Specialization: Education*

Edna Isom Payne, Columbus  
B.S.Ed. (Ball State University)  
*Field of Specialization: Education*

Scott Dennis Peterman,  
Highland Falls, N. Y.  
B.A. (Bloomsburg State College)  
*Field of Specialization: Political  
Science*

Allen Lloyd Peterson, Fairfax, Okla.  
B.S. (Oklahoma State University)  
*Field of Specialization: Education*

Alida Raabe Pletcher, Delphos  
B.M.E. (Capital University)  
*Field of Specialization: Music*

Benoit Joseph Poisson, Jr.,  
West Hartford, Conn.  
B.A. (Fairfield University); M.C.P.  
*Field of Specialization: Public  
Administration*

Carolyn Miriam Price, Akron  
B.S. in Ed. (Youngstown State  
University)  
*Field of Specialization: Education*

Larry Charles Prueter, Lima  
B.S.Ed.  
*Field of Specialization: Education*

Susan Courtney Quinn, Columbus  
B.S.Edu. (Ohio Northern University)  
*Field of Specialization: Education*

Michael Peter Ream, Novelty  
B.A.  
*Field of Specialization: Education*

Charles Edwin Regele,  
Wheeling, W. Va.  
B.A. (Wheeling College); M.C.P.  
*Field of Specialization: Public  
Administration*

Beverly Seabolt Riccio, Columbus  
B.S.Ed.  
*Field of Specialization: Education*

Kent Smith Richardson, Columbus  
B.S. (Indiana State University)  
*Field of Specialization: Education*

David Lee Ronis, University Heights  
B.A. (University of Rochester)  
*Field of Specialization: Psychology*

Sheila Rakusin Ronis, Columbus  
B.S.Ed.  
*Field of Specialization: Education*

Jan Carl Roshong, Canton  
B.S.Ed.  
*Field of Specialization: Music*

Colman Ray Rupp, Stryker  
B.A. (State University of New York  
College at Potsdam)  
*Field of Specialization: Dance*

Margaret VanEpp Salazar, Medina  
B.A. (Baldwin-Wallace College)  
*Field of Specialization: Romance  
Languages and Literatures*

Dennis Paul Salerno, Niles  
B.A.  
*Field of Specialization: Romance  
Languages and Literatures*

Joanne Ruby Sarver, Columbus  
B.A. (California State University);  
B.S.Ed.  
*Field of Specialization: Education*

Mark Schachter, Brooklyn, N. Y.  
B.S. (Brooklyn College)  
*Field of Specialization: Psychology*

Sarah Pendley Scharnberg, Columbus  
B.A. (Wesleyan University)  
*Field of Specialization: Classics*

James Howard Scheiner,  
Chesterfield, Mo.  
B.S.Bus.Adm., M.B.A. (Washington  
University)  
*Field of Specialization: Accounting*

Joseph Anthony Schreick, II,  
Columbus  
B.Art Ed.  
*Field of Specialization: Art Education*

Karen Hosey Schumaker, Columbus  
B.S.Ed.  
*Field of Specialization: Education*

Michal Schwartz, Natania, Israel  
B.Heb. Lit. (College of Jewish  
Studies)  
*Field of Specialization: Art*

George Eugene Scott, Baltimore, Md.  
B.S. (Morgan State College)  
*Field of Specialization: Education*

James Edward Scowden, Columbus  
B.S.Ed.  
*Field of Specialization: Education*

- Susan Moore Segelken, Ashland  
B.A. (Ohio Wesleyan University)  
*Field of Specialization:* Journalism
- David Howard Sellers, Granville  
B.F.A. (Ohio University)  
*Field of Specialization:* Music
- Raymond Sells, Columbus  
B.A. (Arizona State University)  
*Field of Specialization:* Education
- Vicki Carr Share, Columbus  
B.A. (Ohio Northern University)  
*Field of Specialization:* Education
- Marlene Schrage Shaul, Akron  
B.A. (University of Wisconsin);  
M.A. (University of Akron)  
*Field of Specialization:* Economics
- Eric Roger Shively, Minerva  
B.A. (Mount Union College)  
*Field of Specialization:* English
- Mary McDonald Shull, Columbus  
B.S. (Ashland College)  
*Field of Specialization:* Education
- Winifred Wallens Siegel, Columbus  
B.S. (Cornell University)  
*Field of Specialization:* Education
- Sharon Sue Siegfried, Columbus  
B.F.A.  
*Field of Specialization:* Education
- Kathleen Mary Simmons, Utica, N. Y.  
B.A. (State University of New York  
College at Brockport)  
*Field of Specialization:* Dance
- Paul Robert Simmons, Delaware  
B.A. (Ohio Wesleyan University)  
*Field of Specialization:* Education
- Alvin Lewis Simpson, Columbus  
B.S.Ed.  
*Field of Specialization:* Education
- Prinrice Wayne Simpson,  
Smithers, W. Va.  
B.A. (West Virginia State College)  
*Field of Specialization:* Sociology
- Keith Douglas Home Smith,  
New York, N. Y.  
B.A. (Kalamazoo College)  
*Field of Specialization:* Theatre
- Patricia Hawk Smith, Worthington  
B.S.Ed.  
*Field of Specialization:* Education
- Ronald Louis Smith, Kent  
B.A. (Allegheny College)  
*Field of Specialization:* Public  
Administration
- Donald Nial Snider, Canal Winchester  
B.S.Ed. (Otterbein College)  
*Field of Specialization:* Education
- Robert T. Soppelsa, New York, N. Y.  
B.A.; M.A. (New York University)  
*Field of Specialization:* History of  
Art
- Dennis Jay Souder, Gahanna  
B.S. (Muskingum College)  
*Field of Specialization:* Education
- Sherrie Masto Sparks, Columbus  
B.A. (Washington State University)  
*Field of Specialization:* Education
- Aron N. Spector,  
Toronto, Ont., Canada  
B.A. (University of Toronto)  
*Field of Specialization:* Geography
- Roberta Helmer Stalberg, Fairborn  
B.A. (University of Pennsylvania)  
*Field of Specialization:* East Asian  
Languages and Literatures
- Eula Dutton Standridge, Columbus  
B.A. (Baylor University)  
*Field of Specialization:* Education
- Richard Lee Starn, Akron  
B.S.A. (University of Akron)  
*Field of Specialization:* Education
- Carolyn M. Stephenson, Columbus  
A.B. (Mount Holyoke College)  
*Field of Specialization:* Political  
Science
- Sherry Lee Stradley, Columbus  
B.A. (Muskingum College)  
*Field of Specialization:* Education
- Maureen Chesnes Sturtz, Columbus  
B.S.Ed.  
*Field of Specialization:* Education
- Mary Rabe Talbert, Columbus  
A.B. (College of Mount Saint Joseph  
on-the-Ohio)  
*Field of Specialization:* Education
- Jeanette Zibutis Taylor, Columbus  
B.S. (Boston University)  
*Field of Specialization:* Education
- Benjamin Ebo Tei,  
Winneba, Ghana  
B.A. (University of Ghana)  
*Field of Specialization:* Psychology
- Barbara Fields Thompson, Columbus  
B.S. (Bluefield State College)  
*Field of Specialization:* Education
- Kathleen Jane Tierney, Youngstown  
A.B. (Youngstown University)  
*Field of Specialization:* Sociology
- Ellen Rider Tomlinson, Columbus  
B.A.  
*Field of Specialization:* Romance  
Languages and Literatures
- Ulpian Cuthbert Toney,  
Brooklyn, N. Y.  
B.A. (Hiram College)  
*Field of Specialization:* Journalism
- Steven Edward Traylor, Westerville  
B.A. (Otterbein College)  
*Field of Specialization:* Physical  
Education
- Iva Smithers Turner, Gahanna  
B.S.Ed.  
*Field of Specialization:* Education
- Jaime Enrique Turner,  
Panama, Panama  
Lic. (Universidad de Panama)  
*Field of Specialization:* Physical  
Education
- Linda Coffey Turner,  
Washington C. H.  
B.S.Ed.  
*Field of Specialization:* Education
- Mark Raymond Tyx,  
Cheektowaga, N. Y.  
B.A. (State University of New York  
College at Buffalo)  
*Field of Specialization:* Romance  
Languages and Literatures
- Judith Hickey Uriarte,  
Buchanan, N. Y.  
B.A. (State University of New York  
College at Oneonta)  
*Field of Specialization:* Romance  
Languages and Literatures
- Essie Brown Wall, Columbus  
B.S. (Fort Valley State College)  
*Field of Specialization:* Education
- Deborah Sue Wallace, Lancaster  
B.S.Ed. (Ohio University)  
*Field of Specialization:* Education
- James Edison Wallace,  
Beaumont, Tex.  
B.S.I.E. (Southern Methodist  
University)  
*Field of Specialization:* Education
- James Richard Weaver, Kansas  
B.S.Ed.  
*Field of Specialization:* Physical  
Education
- Jane Wittlinger Weet, Columbus  
B.S. (State University of New York  
College at Buffalo)  
*Field of Specialization:* Art Education
- Kurt Hugo Weiland, Dayton  
B.A. (Kent State University)  
*Field of Specialization:* Political  
Science
- Laura Peltz Weisel, Columbus  
B.S.Ed.  
*Field of Specialization:* Education

Allen Michael Weiss,  
Los Angeles, Calif.  
B.S. (University of California)  
*Field of Specialization: Education*

Georgia Tangi Welch, Columbus  
B.F.A. (Kansas City Art Institute)  
*Field of Specialization: Art Education*

Kathleen Modica White, Columbus  
B.S.Ed.  
*Field of Specialization: Education*

Eve Anne Yaw Wilkes, Columbus  
B.S.Ed.  
*Field of Specialization: Music*

Mark Alan Williams, Columbus  
B.S.Ed.  
*Field of Specialization: Physical  
Education*

Robert Wayne Williams, Powell  
E.A. (Denison University)  
*Field of Specialization: History*

Susan Craig Willis, Owensboro, Ky.  
B.A. (Centre College of Kentucky)  
*Field of Specialization: Psychology*

Jerry James Wilper, Hazelwood, Mo.  
A.B. (University of Missouri)  
*Field of Specialization: Slavic  
Languages and Literatures*

Frederick James Wilson, Jr.,  
Massillon  
B.A.  
*Field of Specialization: History*

Cecil Orin Wise,  
North Hollywood, Calif.  
B.A. (California Lutheran College)  
*Field of Specialization: English*

Julie S. Woodard, Columbus  
B.S.Ed.  
*Field of Specialization: Education*

Jacquelyn Luise Woodward, Columbus  
B.S. (Central State University)  
*Field of Specialization: Education*

Joan Sheets Woolf, New Concord  
B.S. (Kent State University)  
*Field of Specialization: Education*

Warren Kent Wowczuk, Parma  
B.A. (Kenyon College)  
*Field of Specialization: English*

George Allan Wynn, Columbus  
B.S.  
*Field of Specialization: Education*

Alan James Yarletts, Ashtabula  
B.S.Ed. (Kent State University)  
*Field of Specialization: Education*

#### **Master of Business Administration**

Twenty-four candidates

James William Baehren, Toledo  
B.S. Bus. Adm.  
*Field of Specialization: Business  
Administration*

John Arden Brown, Columbus  
B.S.C.E. (University of Akron)  
*Field of Specialization: Business  
Administration*

George Lewis Diggles, Columbus  
B.M.E.  
*Field of Specialization: Business  
Administration*

David Gary Foust, Columbus  
B.S.A.A.E.  
*Field of Specialization: Business  
Administration*

David Wayne Hardin, Cincinnati  
B.A.  
*Field of Specialization: Business  
Administration*

Thomas James Hogan, Columbus  
B.S.  
*Field of Specialization: Business  
Administration*

Stuart Harvey Kaplow,  
University Heights  
B.A., M.Acc.  
*Field of Specialization: Business  
Administration*

William S. Kelley, Weed Heights, Nev.  
B.S. (Arizona State University)  
*Field of Specialization: Business  
Administration*

Albert Lee Knicely, Norwich  
B.I.E.  
*Field of Specialization: Business  
Administration*

Mohammed Y. Kurmally, Columbus  
B.A. (University of New Brunswick);  
M.A., Ph.D.  
*Field of Specialization: Business  
Administration*

Richard Arthur LaFave, Columbus  
B.W.E.  
*Field of Specialization: Business  
Administration*

James Scott Leas, Columbus  
B.S.Bus.Adm.  
*Field of Specialization: Business  
Administration*

Daniel Wahl Lease, Fremont  
B.S. (Case Western Reserve  
University)  
*Field of Specialization: Business  
Administration*

Alan Tunis Lord, Columbus  
B.S.Bus.Adm., M.A., M.Acc.  
*Field of Specialization: Business  
Administration*

Robert Allen Peters, Jr., Westerville  
B.A. (American University)  
*Field of Specialization: Business  
Administration*

Richard Henry Peterson, Columbus  
B.S. (Iowa State University of  
Science and Technology)  
*Field of Specialization: Business  
Administration*

Philip John Pollick, Toledo  
B.S. (University of Toledo); Ph.D.  
*Field of Specialization: Business  
Administration*

Ronald Michael Reichert,  
Milwaukee, Wis.  
B.A. (University of Wisconsin); M.S.  
*Field of Specialization: Business  
Administration*

Ralph Stephen Sheridan, Columbus  
B.S.  
*Field of Specialization: Business  
Administration*

Patrick Allen Shumaker, Columbus  
B.A.  
*Field of Specialization: Business  
Administration*

Richard William Smith, Columbus  
B.S. (United States Naval Academy)  
*Field of Specialization: Business  
Administration*

Kenneth Wayne Strom, Pataskala  
B.E. (Youngstown State University)  
*Field of Specialization: Business  
Administration*

David Michael Wolfe, Glenshaw, Pa.  
B.S. (Pennsylvania State University)  
*Field of Specialization: Business  
Administration*

Stephen Emil Yannucci, Columbus  
B.S.C.E., C.E.  
*Field of Specialization: Business  
Administration*

**Master of City Planning**

Sixteen candidates

Kenneth Albin Cristofani,  
Richmond, Calif.  
A.B. (University of California)  
*Field of Specialization:* City and  
Regional Planning

Thomas William Dugan, Euclid  
B.A. (Denison University)  
*Field of Specialization:* City and  
Regional Planning

Richard Alan Evans,  
Richmond Heights  
B.A. (Hiram College); M.Ed.  
(Cleveland State University)  
*Field of Specialization:* City and  
Regional Planning

Joel Irwin Gottlieb, Brooklyn, N. Y.  
B.A. (Queen's College); M.A.  
*Field of Specialization:* City and  
Regional Planning

Mark Randolph Henne, Cincinnati  
B.A. (Xavier University)  
*Field of Specialization:* City and  
Regional Planning

Richard Eugene Martin, Jr., Elida  
B.A. (Goshen College)  
*Field of Specialization:* City and  
Regional Planning

Vincent Joseph Mazeika,  
New Kensington  
B.A. (Saint Vincent College)  
*Field of Specialization:* City and  
Regional Planning

Charles Alexander McMurry,  
Waterloo, Ont., Canada  
B.A. (Waterloo Lutheran University)  
*Field of Specialization:* City and  
Regional Planning

Mark Arnold Mine, Rumson, N. J.  
B.A. (Allegheny College)  
*Field of Specialization:* City and  
Regional Planning

Bryan Carroll Noreen, Rockford, Ill.  
A.B. (University of Illinois)  
*Field of Specialization:* City and  
Regional Planning

James Patrick Petersilia,  
Santa Monica, Calif.  
B.A. (University of California)  
*Field of Specialization:* City and  
Regional Planning

John Frederic Phillips, Piqua  
B.S. (Purdue University)  
*Field of Specialization:* City and  
Regional Planning

James Marion Polatty, Jr.,  
Clinton, Miss.  
B.A. (University of Mississippi)  
*Field of Specialization:* City and  
Regional Planning

Kenneth Richard Pope,  
Old Greenwich, Conn.  
B.A. (Kenyon College)  
*Field of Specialization:* City and  
Regional Planning

Mary Ellen Vanderwilt,  
Charleston, W. Va.  
B.A. (Duke University)  
*Field of Specialization:* City and  
Regional Planning

James William Wheaton, Columbus  
B.A. (Wittenberg University)  
*Field of Specialization:* City and  
Regional Planning

**Master of Fine Arts**

Ten candidates

Wayno Michael Bennett, Columbus  
B.F.A.  
*Field of Specialization:* Art

Darwin Brent Corrin, Wichita, Kan.  
B.A. (Wichita State University)  
*Field of Specialization:* Theatre

Thomas Vincent Creelan,  
Cuyahoga Falls  
B.F.A.  
*Field of Specialization:* Art

Laura Virginia Hepner, Columbus  
B.F.A. (Ohio University)  
*Field of Specialization:* Theatre

Andrea J. Manning, Rocky River  
B.F.A. (Ohio Wesleyan University)  
*Field of Specialization:* Art

John Edward Penny,  
Leicester, England  
Diploma (Maidstone College of Art)  
*Field of Specialization:* Art

Jane Margaret Pepper,  
Wallington, England  
Diploma (City of Birmingham  
College of Education)  
*Field of Specialization:* Theatre

David Kent Schwenker,  
East Cleveland  
B.F.A.  
*Field of Specialization:* Art

James Andrew Scott, Columbus  
B.F.A.  
*Field of Specialization:* Art

Craig William Turner, Wichita, Kan.  
B.A. (Wichita State University)  
*Field of Specialization:* Theatre

**Master of Music**

Thirteen candidates

Dorothy Rose Elder, Columbus  
B.Mus. (Wheaton College)  
*Field of Specialization:* Music

John Jay Evans, Elida  
B.Mus., B.Mus.Ed.  
*Field of Specialization:* Music

Mary Johnston Gilley, Eden, N. C.  
B.Mus. (University of North Carolina  
at Greensboro)  
*Field of Specialization:* Music

James Stephen Hill, Evanston, Ill.  
B.M. (Northwestern University)  
*Field of Specialization:* Music

Robert John Hunt, Jr.,  
Fruitland Park, Fla.  
B.M. (Samford University)  
*Field of Specialization:* Music

Roger Alan Jamison, Spokane, Wash.  
B.Mus. (University of Idaho)  
*Field of Specialization:* Music

Scott Appling Johnston,  
Madison, Wis.  
B.M. (University of Wisconsin)  
*Field of Specialization:* Music

Thomas Michael Kolar, Clinton  
A.B. (Borromeo Seminary of Ohio)  
*Field of Specialization:* Music

Arden VanVleck LeBlanc, Columbus  
B.S. (Lamar State College of  
Technology)  
*Field of Specialization:* Music

John Scott MacMorran, Spencer, Ind.  
B.S. (Ball State University)  
*Field of Specialization:* Music

Marilyn Andrews Nims, Delaware  
Mus.B. (Boston University)  
*Field of Specialization:* Music

June Parker Speak, Columbus  
B.Mus.  
*Field of Specialization:* Music

Raymond Joseph Vaské, Columbus  
B.Mus. (Capital University)  
*Field of Specialization:* Music

**Master of Public Administration**

Fifteen candidates

Gregory Burl Barentine,  
Madison, Wis.  
B.A. (Graceland College)  
*Field of Specialization:* Public  
Administration

Michael Joseph Curro, Cincinnati  
B.A. (Xavier University)  
*Field of Specialization:* Public Administration

Frederick Joseph Diamond,  
Syosset, N. Y.  
B.A., B.S.Ed.  
*Field of Specialization:* Public Administration

Bohdan Dmytrewycz, Lakewood  
B.A. (Cleveland State University)  
*Field of Specialization:* Public Administration

Dwight Harold Ely, Montrose, Pa.  
B.A. (Marietta College)  
*Field of Specialization:* Public Administration

Albert W. Erickson, Ill, Bay Village  
B.B.A. (Kent State University)  
*Field of Specialization:* Public Administration

Thomas Joseph Horan, Jr.,  
BillERICA, Mass.  
A.B. (Merrimack College)  
*Field of Specialization:* Public Administration

Jack Allan Horner, Fostoria  
B.S.Ed. (Bowling Green State University)  
*Field of Specialization:* Public Administration

David Alan Juba, Lakewood  
B.S.Ed.  
*Field of Specialization:* Public Administration

Robert Earl Levin, Beachwood  
B.A. (University of Virginia)  
*Field of Specialization:* Public Administration

Jeffrey George Lobas, Strongsville  
B.S. (Purdue University)  
*Field of Specialization:* Public Administration

David Mark Norstrom,  
Wilmington, Del.  
B.S. (University of Delaware)  
*Field of Specialization:* Public Administration

William John Shkurti, Akron  
B.A.  
*Field of Specialization:* Public Administration

Linda Dianne Taylor, Columbus  
B.A.  
*Field of Specialization:* Public Administration

Bruce Lee Thomas, Soda Springs, Id.  
B.S. (University of Idaho)  
*Field of Specialization:* Public Administration

#### Master of Science

Two hundred and twenty-seven candidates

Jose Arturo Afanador, Columbus  
Ingeniero Civil (Pontificia  
Universidad Catolica Javeriana,  
Colombia)  
*Field of Specialization:* Civil Engineering

Maryam Alavi, Kalamazoo, Mich.  
B.A. (State University of New York  
at Albany)  
*Field of Specialization:* Computer and Information Science

Ibrahim Ismail Ali, Baghdad, Iraq  
B.V.M. (University of Baghdad)  
*Field of Specialization:* Veterinary Physiology/Pharmacology

Ronald Dwight Allerton, Hilliard  
B.S. (Cedarville College)  
*Field of Specialization:* Agronomy

Alice T. Arnett, Columbus  
S.B., S.M. (University of Chicago)  
*Field of Specialization:* Chemistry

Mark Colfax Aukeman, Columbus  
B.S.I.E.  
*Field of Specialization:* Industrial and Systems Engineering

Kathleen Bajo, East Chicago, Ind.  
B.A. (Saint Mary's College, Indiana)  
*Field of Specialization:* Allied Medical Professions

Donald John Baker,  
Silver Creek, N. Y.  
B.S. (State University of New York  
College at Fredonia)  
*Field of Specialization:* Geology and Mineralogy

Geetha Balasubramaniam, Columbus  
B.Sc., M.Sc. (University of Madras,  
India)  
*Field of Specialization:* Home Economics

Philip Wayne Ballinger, Columbus  
B.A. (Wilmington College)  
*Field of Specialization:* Allied Medical Professions

Laurel Ellen Bar, Park Ridge, Ill.  
B.S. (Western Michigan University)  
*Field of Specialization:* Allied Medical Professions

James Arlington Barr, Hilliard  
B.S.Agr.E.  
*Field of Specialization:* Computer and Information Science

Kenneth Leland Beck, Findlay  
B.S.Food Tech.  
*Field of Specialization:* Horticulture

James Lewis Beeson, Columbus  
B.S. (Wright State University)  
*Field of Specialization:* Zoology

C. Thomas Bell, Delaware  
B.S.Agr.  
*Field of Specialization:* Poultry Science

William Bernard Beursken, Vermilion  
B.B.A. (Cleveland State University)  
*Field of Specialization:* Agricultural Education

Frank William Bischak, Columbus  
B.S.Agr.  
*Field of Specialization:* Zoology

Dale John Blackledge, Heath  
B.S.Agr.  
*Field of Specialization:* Agricultural Education

Clare John Bleau, Marysville, Mich.  
B.S. (Michigan Technological  
University)  
*Field of Specialization:* Electrical Engineering

Meredith Gene Bond,  
Schenectady, N. Y.  
B.S., M.S.  
*Field of Specialization:* Anatomy

Ronald Curtis Borge, Nicolaus, Calif.  
B.S. (Chico State College)  
*Field of Specialization:* Agricultural Education

\*Donald Daniel Branson, II, Loveland  
*Field of Specialization:* Agricultural Economics and Rural Sociology

Allyn William Brehl, Columbus  
A.B. (Ohio Dominican College)  
*Field of Specialization:* Computer and Information Science

Richard Henry Brommer, Columbus  
B.S. (Capital University)  
*Field of Specialization:* Zoology

James Hubert Bryson, Peoria, Ill.  
B.S. (Bradley University)  
*Field of Specialization:* Chemistry

Raymond Robert Chapin, Norwalk  
B.A. (College of Wooster)  
*Field of Specialization:* Horticulture

Elaine White Chapman, Columbus  
B.A.  
*Field of Specialization:* Agricultural Economics and Rural Sociology

Irene Marlow Chino, New Lebanon  
B.S. (University of Dayton) ; M.D.  
*Field of Specialization:* Radiology

\* Also Bachelor of Science in Agriculture,  
College of Agriculture and Home Economics



William H. Christie, Columbus  
D.M.D. (University of Manitoba,  
Canada)

*Field of Specialization: Dentistry*

Carol Chin-Ping Chu, Ramsey, N. J.  
B.S. (Rensselaer Polytechnic Institute)

*Field of Specialization: Chemistry*

Michael James Clark, Columbus  
B.S.Ch.E.

*Field of Specialization: Chemical  
Engineering*

James Lewis Clendening, Kensington  
B.S.Agr.

*Field of Specialization: Agricultural  
Education*

Mark David Cocker, Clifton, N. J.  
B.A. (Lafayette College)

*Field of Specialization: Geology and  
Mineralogy*

Anthony Wayne Confer, Columbus  
B.S., D.V.M. (Oklahoma State  
University)

*Field of Specialization: Veterinary  
Pathology*

Fredrick Rayvon Cook, Columbus  
B.S. (Agricultural and Technical  
College of North Carolina)

*Field of Specialization: Computer  
and Information Science*

Paul Wayne Cook, Lockland  
B.A. (University of Cincinnati)

*Field of Specialization: Statistics*

Ronald James Cook, Columbus  
B.M.E.

*Field of Specialization: Nuclear  
Engineering*

Kevin Donald Corcoran, Chillicothe  
B.S.Agr.

*Field of Specialization: Animal  
Science*

Gary Robert Cott, Belle Plaine, Kan.  
B.S.E.E. (Wichita State University)

*Field of Specialization: Electrical  
Engineering*

Richard Thomas Cranston,  
Wallingford, Conn.

B.S. (University of Connecticut)  
*Field of Specialization: Pharmacy*

John Wilber Crum, Columbus  
B.S. (University of Texas)

*Field of Specialization: Medical  
Microbiology*

David Bruce Cumming, Dayton  
B.S.Bus.Adm.

*Field of Specialization: Allied  
Medical Professions*

Judith Lackey Cunningham, Columbus  
B.A. (University of North Carolina)

*Field of Specialization: Horticulture*

Earnest Lee Curry, Mobile, Ala.  
B.A. (Clark College)

*Field of Specialization: Mathematics*

Helen Jean Dailey, Wintersville  
B.S.Soc.Wel.

*Field of Specialization: Home  
Economics*

Clifford Lance Danbe, Allendale, N. J.  
B.S. (Marietta College)

*Field of Specialization: Industrial and  
Systems Engineering*

Richard Allen Daniels, Rocky River  
B.S. (University of Florida)

*Field of Specialization: Allied Medical  
Professions*

John Arthur Daubenmier, Mt. Vernon  
B.A. (Otterbein College)

*Field of Specialization: Mechanical  
Engineering*

Nelson Averell Deane, Lima  
B.S. (Miami University)

*Field of Specialization: Nuclear  
Engineering*

Joe Edmund Defenderfer,  
Oak Ridge, Tenn.

B.E.E. (Georgia Institute of  
Technology)

*Field of Specialization: Electrical  
Engineering*

Stephen Jay Derksen,  
Stone Mountain, Ga.

B.S. (University of Alabama)

*Field of Specialization: Geology and  
Mineralogy*

Nasser Dibai, Tehran, Iran  
D.M.D. (University of Tehran)

*Field of Specialization: Dentistry*

David M. DiCarlo, Steubenville  
B.S. (College of Steubenville)

*Field of Specialization: Electrical  
Engineering*

Frank Nicholas Drobot, Columbus  
B.S.

*Field of Specialization: Computer and  
Information Science*

Lynn Lavenia Dye, Logan, W. Va.  
B.S. (University of Washington)

*Field of Specialization: Zoology*

Maria Rita Echeverri-Mejia,  
Caldas, Colombia

Licenciada (Universidad de Caldas)  
*Field of Specialization: Home  
Economics*

Donald Richard Ehman, Jr., Columbus  
B.S. (Bowling Green State  
University)

*Field of Specialization: Computer and  
Information Science*

Kenneth Evan Eis, Boulder, Colo.  
B.S. (University of Colorado)

*Field of Specialization: Astronomy*

Carl Robert Evans, Columbus  
B.S.

*Field of Specialization: Mathematics*

Stephen Bir Evans, Columbus  
B.S.

*Field of Specialization: Microbiology*

Thomas David Evans, Columbus  
B.A. (Beloit College)

*Field of Specialization: Allied Medical  
Professions*

John Edwin Everett,  
New Bloomington

B.S.Agr.

*Field of Specialization: Agricultural  
Education*

Armando Fasola, Santiago, Chile  
Title of Geology (University of Chile)

*Field of Specialization: Geology and  
Mineralogy*

John Charles Filkins,  
Birmingham, Mich.

B.A. (Oakland University)

*Field of Specialization: Botany*

Robert Dale Fleming, Urbana  
B.S.Agr.

*Field of Specialization: Agricultural  
Economics and Rural Sociology*

James Robert Fletcher, Columbus  
B.A., B.S.Agr.

*Field of Specialization: Botany*

Kenneth Robert Flichman,  
Springfield

B.S.Agr.

*Field of Specialization: Agricultural  
Education*

Serge Fournier, Quebec, Que., Canada  
B.S. (University Laval)

*Field of Specialization: Computer  
and Information Science*

Victor Ray Frederick, Jr., Urbana  
B.A. (Trinity University)

*Field of Specialization: Botany*

\*Richard Jeffrey Freuler, Hamilton  
*Field of Specialization: Aeronautical  
and Astronautical Engineering*

\*Also Bachelor of Aeronautical and  
Astronautical Engineering, and Bachelor  
of Science in Computer and Information  
Science, College of Engineering

- John Wei Fu, Cincinnati  
B.S.E. (Taiwan Cheng Kung University)  
*Field of Specialization: Metallurgical Engineering*
- Timothy Stephen Fuller, Wagner, S. D.  
B.S.Pharm. (University of Washington)  
*Field of Specialization: Pharmacy*
- Loretta Channell Gartman, Elizabeth, W. Va.  
B.S. (Glenville State College)  
*Field of Specialization: Zoology*
- Susan Smith Gast, Columbus A.B. (University of Illinois)  
*Field of Specialization: Preventive Medicine*
- Daniel A. Gingerich, Fort Collins, Colo.  
B.S., D.V.M. (University of Minnesota)  
*Field of Specialization: Veterinary Clinical Sciences*
- Jerry Bernard Givens, South Euclid B.S.C.E. (Valparaiso University)  
*Field of Specialization: Civil Engineering*
- Harriet Leola Glaser, Greatneck, N. Y.  
B.S.  
*Field of Specialization: Zoology*
- Gerald Lee Goldsmith, Newark B.S.  
*Field of Specialization: Nuclear Engineering*
- Clarice B. Golightly, Tuscaloosa, Ala.  
B.S.Nurs. (Tuskegee Institute)  
*Field of Specialization: Nursing*
- Raymond Grady, Baltimore, Md.  
B.S. (Morgan State College)  
*Field of Specialization: Allied Medical Professions*
- Bruce Stewart Graham, Columbus D.D.S. (University of Toronto, Canada)  
*Field of Specialization: Dentistry*
- Michael Emil Greene, Ironton B.S.  
*Field of Specialization: Allied Medical Professions*
- Roger Alan Griffin, Marietta B.S. (United States Military Academy)  
*Field of Specialization: Computer and Information Science*
- Jack John Groom, Columbus B.S.M.E. (Ohio University)  
*Field of Specialization: Mechanical Engineering*
- Uday Dinkar Gupte, Nagpur, India B.Tech. (Indian Institute of Technology)  
*Field of Specialization: Electrical Engineering*
- Marilyn Brinkman Gutman, Lima B.S. (Mary Manse College)  
*Field of Specialization: Mathematics*
- Thomas Burkley Hackett, London B.Ch.E. (University of Dayton)  
*Field of Specialization: Chemical Engineering*
- James Alexander Halladay, Bayside, N. Y.  
B.E.E.  
*Field of Specialization: Electrical Engineering*
- Gary Ray Harmon, Rootstown B.S.  
*Field of Specialization: Physics*
- Robert Lee Harris, Shaker Heights B.A. (Otterbein College)  
*Field of Specialization: Allied Medical Professions*
- Rosa Partlow Hartsook, Columbus B.S. in Occ.Ther.  
*Field of Specialization: Allied Medical Professions*
- Thomas E. Heffernan, III, Worthington B.A. (University of Notre Dame)  
*Field of Specialization: Allied Medical Professions*
- Mary Lee Hess, Lakewood A.B. (Ohio University)  
*Field of Specialization: Chemistry*
- Robert Wood Hessler, Columbus B.S.E.E. (Lehigh University)  
*Field of Specialization: Electrical Engineering*
- Levi Nelson Hilling, Annapolis, Md. B.G.S. (Rollins College)  
*Field of Specialization: Allied Medical Professions*
- John Michael Hines, Cookeville, Tenn. B.S. (Tennessee Technological University)  
*Field of Specialization: Geology and Mineralogy*
- Diane MacDonald Hockman, Columbus B.A.  
*Field of Specialization: Allied Medical Professions*
- John Anthony Hoffman, Columbus B.S. (Franklin University)  
*Field of Specialization: Allied Medical Professions*
- Rosalie Doris Hoffman, Falling Rock, W. Va.  
B.S. (Morris Harvey College)  
*Field of Specialization: Plant Pathology*
- Joseph Franz Hoffmann, Kettering B.S. Engineering (University of Cincinnati)  
*Field of Specialization: Electrical Engineering*
- Larry Dale Householder, Junction City B.S.Agr.  
*Field of Specialization: Agricultural Education*
- Fang Hsu, Taipei, Taiwan B.S. (Tamkang College of Arts and Sciences)  
*Field of Specialization: Mathematics*
- David Carroll Jeffries, Marysville B.S. (Berea College)  
*Field of Specialization: Agricultural Education*
- Craig Tyrrell Johnston, Columbus B.S.Pharm. (University of Pittsburgh)  
*Field of Specialization: Pharmacy*
- George Paul Jones, Kingston, N. Y. B.A. (Hartwick College); M.S.  
*Field of Specialization: Computer and Information Science*
- Donald Charles Kamowski, East Orange, N. J.  
B.S. (Newark College of Engineering)  
*Field of Specialization: Mathematics*
- Eugene Andrew Kaskiw, Rome, N. Y. B.S.Bus. (Indiana University)  
*Field of Specialization: Allied Medical Professions*
- Henrietta Janet Kater, Brattleboro, Vt.  
B.S. (Delaware Valley College)  
*Field of Specialization: Physiology*
- James Jude Kerins, Columbus B.S.  
*Field of Specialization: Allied Medical Professions*
- Gerald William King, Jr., Jackson B.S.Agr.  
*Field of Specialization: Animal Science*
- Robert Frank Kingsley, Fairborn B.S.E.E. (Purdue University)  
*Field of Specialization: Computer and Information Science*

- Barry Morton Kirsch, Paterson, N. J.  
B.A. (Lehigh University)  
*Field of Specialization*: Computer and Information Science
- James A. Kirschensteiner,  
Frankfort, Ky.  
B.C.E. (Cleveland State University)  
*Field of Specialization*: Civil Engineering
- Elissa Gayle Klinge, Bayville, N. Y.  
B.S.  
*Field of Specialization*: Botany
- Frances Fricke Knies, Dayton  
B.S. (Wright State University)  
*Field of Specialization*: Industrial and Systems Engineering
- Taiki Kobayashi, Tokyo, Japan  
B.S. (University of Tokyo)  
*Field of Specialization*: Metallurgical Engineering
- Carol Roth Kollarits, Columbus  
B.A., M.D.  
*Field of Specialization*: Ophthalmology
- Thomas Michael Koval,  
Vestaburg, Pa.  
B.S. (Pennsylvania State University)  
*Field of Specialization*: Zoology
- Hsiao Chia Kung, Taipei, Taiwan  
B.S. (National Taiwan University);  
M.S. (Mississippi State University)  
*Field of Specialization*: Animal Science
- Sally Ann Lang, Columbus  
B.S.Phys.Ther.  
*Field of Specialization*: Allied Medical Professions
- Chang-Rae Lee, Chonju, Korea  
B.S.Ag. (Seoul National University)  
*Field of Specialization*: Food Science and Nutrition
- Gregg Harvey Leeb, South Euclid  
B.S.M.E.  
*Field of Specialization*: Mechanical Engineering
- \*Randall Alan Leis, Farmersville  
*Field of Specialization*: Dairy Science
- Richard Mark Lell, Massillon  
B.S. (University of Detroit)  
*Field of Specialization*: Nuclear Engineering
- Jerrell Lynn Lemunyon,  
Port Sanilac, Mich.  
B.S. (Michigan State University)  
*Field of Specialization*: Agronomy
- Alan Jay Lipowitz, Columbus  
D.V.M.  
*Field of Specialization*: Veterinary Clinical Sciences
- Judy Ann Long, Columbus  
B.S.  
*Field of Specialization*: Mathematics
- Larry Duane Lotz, Magnolia  
B.S.Agr.  
*Field of Specialization*: Agricultural Education
- Thomas Charles Lundberg, Berea  
B.S.Bus.Adm. (Xavier University)  
*Field of Specialization*: Allied Medical Professions
- Linda J.M. MacGregor, Columbus  
B.S.Pharm. (University of Connecticut)  
*Field of Specialization*: Pharmacy
- Gregory Allen Mack, Defiance  
B.S.  
*Field of Specialization*: Statistics
- James Edward Mack, Independence  
B.S.E.P.  
*Field of Specialization*: Nuclear Engineering
- John Joseph Maher, Fairborn  
B.B.A. (University of Notre Dame)  
*Field of Specialization*: Allied Medical Professions
- Andrew Joseph Marusa, Barberton  
B.S.Bus.Adm.  
*Field of Specialization*: Allied Medical Professions
- Lawrence E. Mathes, Columbus  
B.S. (Kansas State University)  
*Field of Specialization*: Microbiology
- Russell Hale Mattern, Dayton  
B.S. (United States Air Force Academy)  
*Field of Specialization*: Computer and Information Science
- Billy Carrol Mayo, Houston, Tex.  
B.S.  
*Field of Specialization*: Geodetic Science
- Regina Marie Mazur, Akron  
B.S. (University of Akron)  
*Field of Specialization*: Chemistry
- Malcolm Brinton McCormick,  
Columbus  
B.S. (Louisiana State University)  
*Field of Specialization*: Electrical Engineering
- James William McHutchion,  
Farmington, Mich.  
B.A. (Oakland University)  
*Field of Specialization*: Mathematics
- Larry Bruce Mellick, Wellington  
B.S.  
*Field of Specialization*: Pathology
- Juan Enrique Mezzich, Callao, Peru  
M.D. (Universidad Peruana); M.A.  
*Field of Specialization*: Psychiatry
- Paul Alan Michelson, Columbus  
B.S. (University of Connecticut)  
*Field of Specialization*: Pharmacy
- William Gerhardt Miefert, III,  
Columbus  
D.D.S.  
*Field of Specialization*: Dentistry
- Gary Allen Miller, Syracuse, N. Y.  
B.S. (Ithaca College)  
*Field of Specialization*: Allied Medical Professions
- Dennis William Milne, Columbus  
D.V.M. (University of Saskatchewan)  
*Field of Specialization*: Veterinary Clinical Sciences
- Alan James Mittermaier, Fremont  
B.A. (Capital University)  
*Field of Specialization*: Allied Medical Professions
- Masuo Mori, Yokohama City, Japan  
B.E. (Chiba University)  
*Field of Specialization*: Metallurgical Engineering
- Cheryl Chrisman Muir, Reynoldsburg  
B.S., D.V.M. (Michigan State University)  
*Field of Specialization*: Veterinary Clinical Sciences
- John Willard Munford, Bedford, N. H.  
B.A. (University of New Hampshire)  
*Field of Specialization*: Zoology
- Ronald Edward Mutzelburg, Dayton  
B.S.I.E. (Wayne State University)  
*Field of Specialization*: Industrial and Systems Engineering
- Mark Robert Neaman, Worthington  
B.S.Bus.Adm.  
*Field of Specialization*: Allied Medical Professions
- James Peter Newdeck,  
Philadelphia, Pa.  
B.S. (Duquesne University)  
*Field of Specialization*: Pharmacy

\* Also Bachelor of Science in Agriculture,  
College of Agriculture and Home Economics

- Mary Frances O'Dowd, Sussex, N. J.  
B.A. (Mercyhurst College)  
*Field of Specialization: Home Economics*
- Gary LaVon Omo, Columbus  
B.S.Pharm. (Ferris State College)  
*Field of Specialization: Pharmacy*
- Merle Davis Owdom, Solon  
B.S., M.S.  
*Field of Specialization: Computer and Information Science*
- Richard David Paddock, Columbus  
B.S.C.E.  
*Field of Specialization: Civil Engineering*
- Albert Alan Penn, Mt. Gilead  
B.S.Agr.  
*Field of Specialization: Agricultural Education*
- Kenneth Joseph Pennline, Monessen, Pa.  
B.S. (Waynesburg College)  
*Field of Specialization: Microbiology*
- Edward Wilson Perry, Columbus  
B.S.Agr.  
*Field of Specialization: Natural Resources*
- John David Phillips, Columbus  
B.S.A.A.E.  
*Field of Specialization: Mechanical Engineering*
- Karen Mildred Pleines, Long Beach, N. Y.  
B.A. (Case Western Reserve University)  
*Field of Specialization: Allied Medical Professions*
- Daniel Lee Presser, Columbus  
B.S.A.A.E.  
*Field of Specialization: Aeronautical and Astronautical Engineering*
- Gary Leslie Racey, Columbus  
D.D.S.  
*Field of Specialization: Dentistry*
- E. Edwin Ramm, Akron  
B.S.I.E.  
*Field of Specialization: Industrial and Systems Engineering*
- Casmir A. Razzgaitis, Cleveland  
B.S. (Cleveland State University)  
*Field of Specialization: Chemistry*
- John Stewart Read, Columbus  
B.S. (Michigan State University);  
D.M.D. (University of Pittsburgh)  
*Field of Specialization: Dentistry*
- Thomas Henry Reif, Dayton  
B.S.M.E.  
*Field of Specialization: Mechanical Engineering*
- Jeffrey David Rexroad, Akron  
B.S.Acct. (University of Akron)  
*Field of Specialization: Allied Medical Professions*
- Ronald Paul Rindfuss, Bucyrus  
B.S.Agr.  
*Field of Specialization: Agricultural Education*
- William Austin Rogers, Hillsboro  
D.V.M.  
*Field of Specialization: Veterinary Clinical Sciences*
- Margaret A. Smith Ross, Lyndhurst  
B.A. (Ohio Wesleyan University);  
M.A.  
*Field of Specialization: Botany*
- James Louie Rudd, Middletown  
B.S.M.E. (University of Cincinnati)  
*Field of Specialization: Engineering Mechanics*
- Peter Michael Scheffler, Lima  
B.S.I.E. (Purdue University)  
*Field of Specialization: Industrial and Systems Engineering*
- Donald Bryan Schobert, Columbus  
B.S. (Southern Illinois University)  
*Field of Specialization: Electrical Engineering*
- Ronald William Schoch, Columbus  
B.S. Agr.  
*Field of Specialization: Animal Science*
- James Donald Schweitzer, Louisville, Ky.  
B.A. (George Washington University)  
*Field of Specialization: Allied Medical Professions*
- William Dons Schwerin, Littleton, Colo.  
B.A.A.E.  
*Field of Specialization: Aeronautical and Astronautical Engineering*
- Linda Marie Sebelia, Canonsburg, Pa.  
B.S., A.M. (West Virginia University)  
*Field of Specialization: Home Economics*
- Deborah Roekner Seifert, Dayton  
B.S. (University of Dayton)  
*Field of Specialization: Computer and Information Science*
- Roland G. Severson, Jr., Grand Forks, N. D.  
B.S.Ch. (University of North Dakota)  
*Field of Specialization: Chemistry*
- Ali Asghar Sharifi, Waukegan, Ill.  
Licentiate, (Tehran University);  
Above Licentiate (Cartographic Surveying College, Iran)  
*Field of Specialization: Geodetic Science*
- \*James Earl Sheedy, Columbus  
B.S. (Wayne State University)  
*Field of Specialization: Physiological Optics*
- Steven Carl Shimp, Dublin  
B.A. (Denison University); B.S.C.E.  
*Field of Specialization: Civil Engineering*
- Gary Roy Shippy, Columbus  
B.E.E.  
*Field of Specialization: Computer and Information Science*
- David Carl Shultheis, Columbus  
B.S.E.E.  
*Field of Specialization: Electrical Engineering*
- Peters Skele, Dayton  
B.S. (Purdue University)  
*Field of Specialization: Engineering Mechanics*
- Brian J. Smith, London, England  
L.D.S.R.C.S. (Guys Hospital Dental School)  
*Field of Specialization: Dentistry*
- Mary Law Smith, London, England  
L.D.S.R.C.S. (Guys Hospital Dental School)  
*Field of Specialization: Dentistry*
- Marilynne Ruth Snook, Mt. Perry  
B.S.H.E.  
*Field of Specialization: Agricultural Education*
- Daniel Hayes Snyder, Columbus  
B.S. (University of Cincinnati)  
*Field of Specialization: Computer and Information Science*
- Sharon Spencer, Columbus  
B.S.Cer.E.  
*Field of Specialization: Ceramic Engineering*

\* Also Doctor of Optometry,  
College of Optometry

- Robert Harvey Streitel, Lakewood  
B.S. (State University of New York  
College of Forestry)  
*Field of Specialization: Animal  
Science*
- Po-Ta Peter Su, Chia-yi, Taiwan  
B.S. (National Tsing-Hua University)  
*Field of Specialization: Nuclear  
Engineering*
- Richard Louis Sucheck, Canton  
B.S.I.E.  
*Field of Specialization: Industrial  
and Systems Engineering*
- \*Richard Allen Sunderland,  
Spencerville  
*Field of Specialization: Electrical  
Engineering*
- Somchin Suntavaruk,  
Bhuket, Thailand  
B.E. (Thammasat University)  
*Field of Specialization: Agricultural  
Economics and Rural Sociology*
- Richard L. Sutherland, Oskaloosa, Ia.  
B.A. (Olivet Nazarene College)  
*Field of Specialization: Physics*
- Joan S. Tabor, Floral Park, N. Y.  
B.A. (Queens College)  
*Field of Specialization: Home  
Economics*
- Laurel R. Talabere, Columbus  
B.S. (University of Connecticut)  
*Field of Specialization: Nursing*
- \*\*Glenn Roberts Thayer, Defiance  
*Field of Specialization: Physiological  
Optics*
- Mary Ann May Thurkettle, Columbus  
B.S. in Nursing (Case Western  
Reserve University)  
*Field of Specialization: Nursing*
- Patricia Ramsay Todt, Columbus  
B.A.  
*Field of Specialization: Home  
Economics*
- Carol Ann Tomastik, Chillicothe  
B.A.  
*Field of Specialization: Computer and  
Information Science*
- Steven Lee Van Eman, Venedocia  
B.S.Agr.  
*Field of Specialization: Horticulture*
- John Roy Veley, Stonecreek  
B.S.Agr.  
*Field of Specialization: Natural  
Resources*
- Christina Gika Venizelos,  
Evanston, Ill.  
B.A. (Northwestern University)  
*Field of Specialization: Computer and  
Information Science*
- John David Waddell, Miamisburg  
B.S.M.E.  
*Field of Specialization: Nuclear  
Engineering*
- Kenneth Edward Waller,  
Sherrodsville  
B.S.Ch.E.  
*Field of Specialization: Chemical  
Engineering*
- Fredrick Neal Walter, Columbus  
B.S.Agr.  
*Field of Specialization: Agricultural  
Education*
- Jin-tuu Wang, Taipei, Taiwan  
B.S. (National Taiwan University);  
M.S.E.E. (University of Hawaii)  
*Field of Specialization: Computer and  
Information Science*
- Brooks Daniel Ware, Sidney  
B.S.Agr.  
*Field of Specialization: Agricultural  
Education*
- Charles David Webster, Columbus  
B.S.  
*Field of Specialization: Natural  
Resources*
- John Freeman Weet, Medina, N. Y.  
B.S. (Saint Lawrence University)  
*Field of Specialization: Physiology*
- Dennis Roger Whitten, Solon  
B.S. (Kent State University)  
*Field of Specialization: Engineering  
Mechanics*
- David Conrad Wolfe, Jr., McLean, Va.  
B.S.E.E. (University of Virginia)  
*Field of Specialization: Electrical  
Engineering*
- Leonard Leas Wood, Columbus  
B.A. (Maryville College)  
*Field of Specialization: Pathology*
- William James Woolf, Jr., Columbus  
B.A.  
*Field of Specialization: Agricultural  
Economics and Rural Sociology*
- Paul Allen Wright, Murray, Ut.  
B.A. (Brigham Young University)  
*Field of Specialization: Allied  
Medical Professions*
- Laura Marie Wulfhorst, Delphos  
A.B. (Immaculate Heart College);  
B.S.Nurs. (Saint Louis University)  
*Field of Specialization: Nursing*
- David Alfred Wynsen, Columbus  
B.S.  
*Field of Specialization: Microbiology*
- Katsumi Yamamoto, Otawara, Japan  
B.E. (Tohoku University)  
*Field of Specialization: Metallurgical  
Engineering*
- Dennis Yee, Barberton  
B.S.  
*Field of Specialization: Zoology*
- Dennis Duane Zaebs, Columbus  
B.S.  
*Field of Specialization: Preventive  
Medicine*
- Edwin Kerper Zechman, Jr.,  
Hershey, Pa.  
B.S. in Educ., M.Ed. (Shippensburg  
State College)  
*Field of Specialization: Allied  
Medical Professions*
- Charles William Zimmerman, Huron  
B.S.Ed.  
*Field of Specialization: Mathematics*
- Ihor George Zubal, Lorain  
B.S.E.P.  
*Field of Specialization: Nuclear  
Engineering*

#### Master of Social Work

Sixty-four candidates

- Barbara Ann Aker, Brookville  
B.S.Soc.Wel.  
*Field of Specialization: Social Work*
- Pamela Sue Argus, Columbus  
B.A.  
*Field of Specialization: Social Work*
- Alex Lee Bates, Columbus  
B.A. (Southern University)  
*Field of Specialization: Social Work*
- Janice Daniels Bersoff, Columbus  
B.S., M.A. (New York University)  
*Field of Specialization: Social Work*
- Elizabeth J. Bishop, Urbana  
B.S. (Urbana College)  
*Field of Specialization: Social Work*
- Phyllis Marilyn Brener,  
Indianapolis, Ind.  
B.S. (University of Bridgeport)  
*Field of Specialization: Social Work*

\* Also Bachelor of Electrical Engineering,  
College of Engineering  
\*\* Also Doctor of Optometry,  
College of Optometry

- Joanne A. Broerman, Cincinnati  
B.A. (Edgecliff College)  
*Field of Specialization:* Social Work
- Richard Brown, Columbus  
B.A. (Anderson College)  
*Field of Specialization:* Social Work
- Ann Sweet Cain, Cincinnati  
A.B. (Indiana University)  
*Field of Specialization:* Social Work
- Bruce Allen Catalano, Canton  
B.A. (Saint Joseph's College, Indiana)  
*Field of Specialization:* Social Work
- James William Cloonan, New York, N. Y.  
B.A. (Antioch College)  
*Field of Specialization:* Social Work
- Coralyn Copeland, Cincinnati  
B.S. (University of Cincinnati)  
*Field of Specialization:* Social Work
- Barbara Lee Crane, Delaware  
B.S.Ed.  
*Field of Specialization:* Social Work
- Margaret Strauss David, Cincinnati  
B.A. (University of Cincinnati)  
*Field of Specialization:* Social Work
- Susan Marie Foster, Youngstown  
B.A. (Kent State University)  
*Field of Specialization:* Social Work
- Michael Edwin George, Connersville, Ind.  
B.S.Ed. (Ball State University);  
M.S. (Miami University)  
*Field of Specialization:* Social Work
- Judith Hobbs Goodhand, Gambier  
B.A. (Kenyon College)  
*Field of Specialization:* Social Work
- Franklin Gordon, Dayton  
B.A. (Morehouse College)  
*Field of Specialization:* Social Work
- Suzanne C. Greenawalt, North Adams, Mass.  
B.A. (Marietta College)  
*Field of Specialization:* Social Work
- Yvonne Greene Hipps, Cincinnati  
B.S. (Agricultural and Technical College of North Carolina)  
*Field of Specialization:* Social Work
- Alexandria Marie Holt, Cincinnati  
B.Educ. (University of Toledo)  
*Field of Specialization:* Social Work
- Sue Jones Howard, Columbus  
B.S.Soc.Wel.  
*Field of Specialization:* Social Work
- Velma Lee Jackson, Mobile, Ala.  
B.S. (Alabama State College)  
*Field of Specialization:* Social Work
- Donna Marie Katusin, Lower Burrell, Pa.  
B.S. (University of Pittsburgh)  
*Field of Specialization:* Social Work
- Sue Ann Kerstein, Lawrenceville, N. J.  
A.B. (Boston University)  
*Field of Specialization:* Social Work
- Linda Wade King, Toledo  
B.A. (University of Toledo)  
*Field of Specialization:* Social Work
- George James Kostura, Columbus  
B.S.Soc.Wel.  
*Field of Specialization:* Social Work
- Grace Koehler Lewis, Columbus  
B.S. (Northwestern University)  
*Field of Specialization:* Social Work
- Marilyn Gerlon Littles, Hazle Hurst, Miss.  
B.S. (Alcorn Agricultural and Mechanical College)  
*Field of Specialization:* Social Work
- William Francis Lyons, Jr., Cleveland  
B.A. (University of Notre Dame)  
*Field of Specialization:* Social Work
- Marcia Ellen McLaughlin, Springfield  
B.A. (Bowling Green State University)  
*Field of Specialization:* Social Work
- Janet Herron Melcher, Cincinnati  
A.B. (Ohio University)  
*Field of Specialization:* Social Work
- Richard Alan Mentzer, Columbus  
B.S. (Pennsylvania State University)  
*Field of Specialization:* Social Work
- Donald Kenneth Miller, Columbus  
B.A.  
*Field of Specialization:* Social Work
- F. Whitty Miller, Canton  
B.S.B.A. (Georgetown University)  
*Field of Specialization:* Social Work
- Sandra Elaine Miller, Winter Haven, Fla.  
B.A. (West Virginia State College)  
*Field of Specialization:* Social Work
- Luette Freeman Mittag, Kettering  
B.S. (University of Wisconsin)  
*Field of Specialization:* Social Work
- Nancy Lee Morgan, Strongsville  
B.A.  
*Field of Specialization:* Social Work
- Richard Jones Morris, Columbus  
B.A. (Antioch College)  
*Field of Specialization:* Social Work
- Ronald Steven Murphy, Cincinnati  
B.A. (Kentucky State College)  
*Field of Specialization:* Social Work
- George Michael Nader, Mansfield  
B.S.Soc.Wel.  
*Field of Specialization:* Social Work
- Donald Francis Nicoll, Port Washington, N. Y.  
B.S.Soc.Sci. (Mount Saint Mary's College)  
*Field of Specialization:* Social Work
- Lois Glenn Ogbechie, Columbus  
B.S.Soc.Wel.  
*Field of Specialization:* Social Work
- Bonnie Gurian Orlins, Columbus  
B.A.  
*Field of Specialization:* Social Work
- Laurie Gilbert Oser, Columbus  
B.S.Soc.Wel.  
*Field of Specialization:* Social Work
- Linda Carlyle Payne, Columbus  
B.S. (Tennessee State University)  
*Field of Specialization:* Social Work
- Donna Jean Bates Price, Columbus  
B.S. (Central State College)  
*Field of Specialization:* Social Work
- Edith Smith Reed, Mansfield  
B.A.  
*Field of Specialization:* Social Work
- Katherine Franek Rohrer, Columbus  
B.A. (Miami University)  
*Field of Specialization:* Social Work
- Violet Wallace Rooney, Portsmouth  
B.S.Soc.Wel.  
*Field of Specialization:* Social Work
- Katie Ruth Rothfeld, Cincinnati  
B.A., M.A. (University of Cincinnati)  
*Field of Specialization:* Social Work
- Maureen Joy Schoenberg, Akron  
B.S.Soc.Wel.  
*Field of Specialization:* Social Work
- Pat Wood Shepherd, Cincinnati  
B.A. (University of Cincinnati)  
*Field of Specialization:* Social Work
- Norman Franklin Shub, East Cleveland  
B.A. (Cleveland State University)  
*Field of Specialization:* Social Work
- Patricia Kay Singleton, Canton  
B.S. (Central State College)  
*Field of Specialization:* Social Work

David Paul Stoesz,  
Willimantk, Conn.  
B.S. (Springfield College)  
*Field of Specialization: Social Work*

Jane Elizabeth Sullivan,  
Pittsburgh, Pa.  
B.A. (Duquesne University)  
*Field of Specialization: Social Work*

Michael Lee Tebbe, Cincinnati  
B.A. (Athenaeum of Ohio)  
*Field of Specialization: Social Work*

Beverly Guella Toomey, Columbus  
B.A. (Miami University)  
*Field of Specialization: Social Work*

Marvin Gerald Tossey, Columbus  
B.A.  
*Field of Specialization: Social Work*

Roberta J. Wasserman,  
Brookline, Mass.  
B.A. (University of Massachusetts)  
*Field of Specialization: Social Work*

Jeanne McKay Waters, Columbus  
B.A. (College of Saint Rose)  
*Field of Specialization: Social Work*

Mae O'Rita McAllister Whaley,  
Cincinnati  
B.S. (University of Cincinnati)  
*Field of Specialization: Social Work*

Donald Richard Wilka, Columbus  
B.S.Soc.Wel.  
*Field of Specialization: Social Work*

## Colleges of the Arts and Sciences

Chairman, Coordinating Council of Deans: Franklin P. Kilpatrick  
Vice Provost for the Arts and Sciences: Thomas A. Willke

The Colleges of the Arts and Sciences, a federation of five colleges, includes:

### College of The Arts

Dean: Lee Rigsby

### College of Biological Sciences

Dean: Richard Bohning

### College of Humanities

Dean: Arthur E. Adams

### College of Mathematics and Physical Sciences

Dean: Colin B. B. Bull

### College of Social and Behavioral Sciences

Dean: Franklin P. Kilpatrick

## College of The Arts

Dean: Lee Rigsby

### Bachelor of Arts

Nineteen candidates

Christine Elaine Bishop, Parma  
Marcia Anne Buser, Denver, Colo.  
William Louis Corson, Jr., Lebanon  
Lisa Louise Curtis, Kenton  
David Garth Eisenstein, Columbus  
Miles Lindsey Haines, Grove City  
Mary Coffman Heston, Columbus  
Jay W. Hout, Richmond  
Bonita Louise Jay, Dayton  
Barbara Christine Johnston, Columbus  
Randy Barbara Kaplan, New York, N. Y.  
Stanley Bruce Kayne, Columbus  
Nancy Jane Kerns, West Mansfield  
Lorrie Ann McCann, Springfield  
Edward Patrick McCreanor, Warren  
Rebecca Sesler, Billings, Mont.  
Jane Anne Thomas, Findlay  
Linda Frances Vergith, East Cleveland  
Wendy Ann Yaross, Dayton

### Bachelor of Fine Arts

Fifty candidates

Paula Susan Bloemer, Cincinnati  
\*Michael Anthony Bonadio, Westerville

Marjorie Lois Brown, Great Neck, N. Y.  
Paul Stephen Bussey, Jacksontown  
Marlene Ann Casini, Steubenville  
Rebecca Ann Dodson, Massillon  
Joseph Francis Dostal, Cleveland  
Cynthia Lou Dyer, Fairview Park  
Deborah Dalhart Edwards, Orient  
Jean Bamer Fox, Coshocton  
Carey Hilton Furber, Columbus  
Cynthia Ganobisk, Avon Lake  
Scot Steven Gassen, Alexandria, Va.  
Jacque Lynn Harper, Coshocton  
William Jeffrey Hughley, Columbus  
Craig Lee Inscho, Columbus  
Barbara Ann Kennedy, Westerville  
Marilyn Kern, Kettering  
Maurine Knecht, Dayton  
Susan Lynn Koewler, Dayton  
Bonnie Anne Kubasta, Pepper Pike  
B.Art Ed.  
Annamarie Leo, Columbus  
Peggy Anne Levine, Woodbury, N. Y.  
Holly Champlin Longfellow, Alexandria, Va.  
Rebecca Jane Mossbarger, New Holland  
Patricia Grubb Mount, Columbus  
David Michael Nalle, Columbus  
B.A.  
David Sanford Nateman, Columbus  
Raye Karen Needham, Milford, Conn.  
Mary Havens Nice, Marengo  
Susan Rae Peskin, Youngstown  
Laurie Cooper Pressler, Columbus  
Roger Stanley Riggs, Columbus  
Lynne Zucker Roth, Columbus  
Jonathan Charles Rudinger, Toledo  
Margery Helene Schiff, Newark  
Pamela Schwink, Columbus  
Richard Ervin Shelton, Westerville  
Peggy Lou Smith, Columbus  
Philip Woolworth Smith, Columbus  
William Dean Smith, Columbus  
B.S.  
Leigh Beth Snyder, Marietta  
Lois Karon Sokolow, Syosset, N. Y.  
Chloette Clotene Steele, Columbus  
Jeffrey Eric Tatman, Dayton  
Modestine Delores Thomas, New York, N. Y.  
Shauna Anne Vey, Worthington  
Carol Lynn Wargo, Vermilion  
Jan Dian Williams, Pennsville  
Marjory Beth Winshall, Huntington Woods, Mich.

### Bachelor of Music

Thirteen candidates

Robert C. Angell, Pataskala  
Christopher Stephen Baker, Fremont  
Stephen William Busonik, Columbus  
Lynn Mary Christescu, Cleveland  
Stephanie Rae Cline, Amsterdam  
Susan Lynn Glaser, Plainview, N. Y.  
Rose Marie Heydinger, Attica  
<sup>1</sup>Jack David Jenny, Columbus  
George Martin Nauman, Columbus  
Roger Trent Nohl, Columbus  
Mark Steven Norris, Columbus  
Terry Lee Tyson, Henderson, N. C.  
<sup>2</sup>Frederick Martin Zeigler, Columbus

### Bachelor of Art Education

Offered jointly by the College of The Arts and the College of Education

Thirty-one candidates

<sup>3</sup>Michael Anthony Bonadio, Westerville  
Sharyl Ann Chickarella, Columbus  
Margaret Kost Davis, Columbus  
Margaret Koch Decker, Fremont  
David John Givler, Columbus  
Robert Ross Hamilton, Coshocton  
Beth Anne Johansen, Parma  
Martha Ann Martin, Columbus  
Johnna Kay McCauley, Mechanicstown  
Alison Lois McNeal, Columbus  
Cheryl Ann Norman, Columbus  
Sandra Lee Norton, Ada  
Patricia Sue Parfenchuk, Columbus  
Alane Smith Peters, Columbus  
Linda Marie Podojil, Columbus  
John Eddie Pollock, Stewartsville  
Ilene Diane Posner, Coral Gables, Fla.  
Barbara Sue Powell, Shadyside  
James Ortnor Prendergast, North Olmsted  
Amye Hope Price, Franklin Square, N. Y.  
Walter McCloud Pusey, Columbus  
Keith Alan Rinehart, Urbana  
Susan Kay Schneider, Dayton  
Barbara Schwat, Oceanside, N. Y.  
Kittie Palm Seibert, Columbus

\* Also Bachelor of Art Education, College of Education  
<sup>1</sup> Also Bachelor of Music Education, College of Education  
<sup>2</sup> Also Bachelor of Arts, Colleges of the Arts and Sciences  
<sup>3</sup> Also Bachelor of Fine Arts, Colleges of the Arts and Sciences



Pamela Sue Smith, Gahanna  
Donna Elise Steenland,  
Fairlawn, N. J.  
David Scott Van Eman, Venedocia  
James Todd Ventling, Columbus  
Gale Lee Wolfe, Xenia  
Susan Kaye Zanin, Cortland

#### **Bachelor of Music Education**

**Offered jointly by the  
College of The Arts and the  
College of Education**

Thirty-five candidates

Linda Senter Bater, Columbus  
Carol Ann Beabout, Waverly  
Marlowe Few Brainard, Madison  
Robert Alan Carpenter, Columbus  
Meredith Ann Charles, Columbus  
Elizabeth Jean Davis, Columbus  
Christopher Philip Doane,  
Munroe Falls  
Linda J. Farquharson, Stow  
Linda Joyce Fox, Massillon  
Roger Allen Hall, Canton  
Alvin Jon Hallas, Pickerington  
Deborah Pickens Hanes, Columbus  
Catherine Gail Hannaway, Cambridge  
Larry Dean Hayes, Zanesville  
Gary Howard Hodges, Columbus  
Ross Dillon Hollinger, Lima  
Rex Lynn Jackson, Bryan  
\*Jack David Jenny, Columbus  
Fritz Alexander Kaenzig, Dayton  
Meri Elizabeth Kersey, Lebanon  
Dianne Marie Kriebbaum,  
North Olmsted  
Amy Susan Krupko, McDonald  
Douglas Paul Little, Lakewood  
Dennis Keith Martin, Columbus  
Nancy Snyder Peppercorn,  
New London  
Kevin Lee Peters, Zanesville  
David Alan Rawson, Grove City  
Kathleen Louise Rettich, Dayton  
Christine Johnson Ritts, Columbus  
Mary Catherine Rugola, Mt. Vernon  
Sandra Kollar Stayrook, Columbus  
Roxanne Stone, Holland  
Kathryn Elleman Wadlington,  
Columbus  
Donald Owen Woker, Columbus  
Edward Andrew Zadrozny,  
Seven Hills

#### **Bachelor of Science in Industrial Design**

Twenty candidates

Barbara Ann Abbot, Columbus  
Virginia Gale Bennett, Worthington  
Kathleen Alma Bick, Norwalk  
Lee Winters Brown, Columbus  
Patrick Barry Brown, Chillicothe  
George Subray Dahood, Caldwell  
Debra Ann Dodd, Westlake  
Jon Michael Elzey, Columbus  
Timothy Scott Fauber, Columbus  
Albert Floyd Fillenwarth,  
Clearwater, Fla.  
Anthony Richard Gagliardi,  
Kinnelon, N. J.  
Frederick James Hahne, Warren  
Kenneth Alan Johnson, Columbus  
Thomas Harold Layton, Columbus  
Pamela Robbin Levine, Columbus  
Michael William Loffin, Columbus  
Allen Joseph Luempert, Cleveland  
Bruce Melville McPherson,  
West Jefferson  
Alan Lee Rowland, Chillicothe  
John Michael Samson, Columbus

#### **College of Biological Sciences**

Dean: Richard Bohning

#### **Bachelor of Arts**

Forty-eight candidates

David Joseph Barsan, Akron  
Jon Fenton Bauer, Martins Ferry  
David Michael Berzon, Canton  
Barry Francis Biniker, Toledo  
Emil Patrick Bisaccia, Nutley, N. J.  
Alan Belmont Bradley, Greenville  
Gregory Walter Bragiel, Parma  
Michael Kim Brockett, Atwater  
Mark Allan Brown, Flushing  
Joyce Sue Buchanan, Columbus  
Frank Joseph Capella, Girard  
Barbara Grace Essig, Westlake  
Gregory A. Field, Brooklyn  
Scott Roger Fritschle, Columbus  
Timothy Francis Garner,  
Germantown  
George Van Hassink, Orange Village  
Michael Joseph Hodovanic, III,  
Toronto  
Samuel Paul Hulett, Columbus

Glen Wallace Humphrey,  
Rockville, Md.  
Nicholas Nick Kallas, Lorain  
Philip Thomas Kallile, Toledo  
Howard Michael Kimes, Postoria  
John Paul Kocka, Parma  
Alice Lunn Kolbe, Columbus  
Alex Koufos, Canton  
Roger John Kruse, Hamler  
Michael Lee Love, Salem  
Melissa Anne Mash, Marion  
Allan Jay Nichols, Seaford, N. Y.  
Stanley Stephen Paras, Youngstown  
Craig Patrick Patterson, Gahanna  
†Barbara Ann Phelps, Mentor  
James Michael Podnar, Canal Fulton  
Ronald Lee Richards,  
St. Albans, N. Y.  
Richard Donald Rorapough, Jr.,  
Columbus  
Alan Bruce Rosenberger, Columbus  
Greg Laurence Sherman, Cincinnati  
Bryan Allan Shumaker,  
Englishtown, N. J.  
Martin Andre Stapanian, Cincinnati  
Michael Vernon Stine, Richmond  
Robert Maxwell Stofer, Jr., Kettering  
Leon Newton Sykes, Lakewood  
Charles Jenkins Thurston, Columbus  
James Frederick Turner, II, Akron  
David James Vickers, Cincinnati  
B.S.  
Richard Francis Wade, Navarre  
Carl Robert White, Perrysburg  
Thomas James York, Columbus

#### **Bachelor of Science**

One hundred fifty-eight candidates

Natalie Joan Agnew, Columbus  
Christine Ruth Albrightson,  
Bay Village  
David Milton Armstrong, Columbus  
Randal Peter Ashton, Wheeling, Ill.  
Stephen Eugene Baeumel,  
Wapakoneta  
Edwin Craig Bashaw,  
Rochester, N. Y.  
William David Bennett, Canfield  
William Fred Bennett, Springfield  
Robert Lee Bentz, Lorain  
Allen Edward Bingham,  
Cuyahoga Falls

\* Also Bachelor of Music.  
Colleges of the Arts and Sciences  
† Also Certificate of Graduate Dental  
Hygienist, College of Dentistry

Robert Scott Bowers, Tipp City  
 Sharon Anne Boylan, Amherst  
 Sarah Till Boysen, Columbus  
 James Andrew Bradac,  
 Wheeling, W. Va.  
 William Jency Brown, Lima  
 Francis Michael Bubs, Columbus  
 Brad Richard Bundy, Steubenville  
 Mary Frances Burke,  
 Middletown, N. J.  
 Judy Lynn Cates, Perrysville  
 Scott Allen Chambers, Navarre  
 Kathran Chan, Louisville, Ky.  
 John Wayne Chinn, London  
 Charles Edward Cichra, Cleveland  
 Gerald Lee Clark, Anna  
 Betsy Buhrmaster Cleary, Columbus  
 Terry Eugene Clevenger, Shelby  
 David Fred Daugherty, Coshocton  
 Catherine Ann Demko,  
 Sagamore Hill  
 Roger Dennis Duber,  
 University Heights  
 John Raymond Engle, Pataskala  
 David Andrew Erwin, Coshocton  
 Sally Kay Evans, Columbus  
 Richard Allen Fankhauser, Dundee  
 Laura Ann Fay, Lakewood  
 Peter John Fotheringham, Toledo  
 Suzanne Louise France, Massillon  
 Edward William Frech, Cincinnati  
 Brent Allen Freeman, Butler  
 Terrance Andrew Fuller, Lima  
 William Ward Gardner, Columbus  
 Steven Jay Garlock, Columbus  
 William Victor Garver, Ney  
 Jeanette Marie Gismond,  
 Youngstown  
 Steven Richard Goodall, Mansfield  
 Kenneth Eugene Green, Baltimore  
 Sarajo Courtright Green, Columbus  
 Gary Alan Guinup, Galion  
 Barbara Lynn Hahn, Kettering  
 Jeffrey Stuart Hankin, Columbus  
 Mary Jean Harbage, Columbus  
 William Lee Hardy, Westerville  
 Judith Ann Hargrave,  
 Hicksville, N. Y.  
 James Edward Hargreaves, Dayton  
 Robert Kent Harmony, Lexington  
 Michael Paul Harris, Rocky River  
 Nancy Evonne Hauer, Columbus  
 Dennis Arden Hecker, Mineral Ridge  
 Marc Joel Hollander, Columbus  
 Teresa Ellen Homan, Bay Village  
 Gail Frances Hormats,  
 Rochester, N. Y.  
 Vincent Chung Hon Hu, Cincinnati  
 David Bruce Huber, Marion

Stephen Thomas Hylant, Toledo  
 Gregory Robin Jedlicka, Medina  
 Ida Helena Juris, Medina  
 John Neibert Kagay, Kettering  
 Kathleen Ann Kiefer, Pittsburgh, Pa.  
 John Joseph Kilbane, II, Gates Mills  
 Stephen Owen Kitchen,  
 West Portsmouth  
 Wendy Ann Kline, Merrick, N. Y.  
 Marilyn Joyce Koester, Rockville, Md.  
 Andrew Henry Lapinski,  
 Warrington, Pa.  
 David Carl Lawrence,  
 Upper Sandusky  
 Jerry Isadore Levine, Shaker Heights  
 Gregory Anthony Lis, Wickliffe  
 James H. Liu, Middleburg Heights  
 William Henry Lowe, Columbus  
 Lynwood Alva MacLean, III,  
 Springfield  
 Rita Patricia Manogue, Cincinnati  
 Donald Ray Marvin, Ravenna  
 Linda Susan Mass, Columbus  
 Mindi Jill Mattlin, Chesterland  
 Michael Joseph McCullough,  
 Gnadenhutzen  
 Wallace Duncan McKay,  
 Wheeling, W. Va.  
 Cyrus Benjamin McQueen, Columbus  
 Larry Paul McQuillin, Delta  
 Jay Edward Meyer, Lima  
 Mary Lynn Michels, Rocky River  
 Janet Ann Miklus, Parma Heights  
 Emerick Nick Milet, Parma  
 Elizabeth Cowell Miller, Crestline  
 Ronald William Mink, Columbus  
 Ralph Bernard Monnett, Jr.,  
 Columbus  
 Richard Arthur Mowles, Roanoke, Va.  
 Marilyn Diane Murray, Fostoria  
 Mark Paul Musche, Lexington  
 Victoria Nikolaidis, Massillon  
 Mary Catherine Nuhfer, Columbus  
 Thomas Henryk Olszewski, Columbus  
 Steven Allen Orenstein,  
 Dix Hills, N. Y.  
 Anne Galvi Palestrant, Columbus  
 B.A.  
 Gary Drucker Palestrant, Columbus  
 B.A.  
 Nancy Susan Palmer, Hamilton  
 Rex Eugene Profit, Columbus  
 Michael Robert Rawson, Toledo  
 John Patrick Richard, Kettering  
 David B. Riedinger, Akron  
 Jane Rosalie Rietschlin, Crestline  
 Edward Francis Riordan, Hubbard

Bruce Alan Roberts, Westerville  
 Janet Bawell Rodgers, Columbus  
 Loyal Rick Ruegsegger, Waverly  
 Michael Edward Ruff,  
 Canal Winchester  
 John Steve Russ, Columbus  
 Kenneth Dean Rutherford, Antioch  
 Diane Christina Sands, Columbus  
 Kenneth Wayne Saul, Youngstown  
 Andrew Fredric Savitz,  
 Margate, N. J.  
 Joel Harris Scheckner,  
 Queens Village, N. Y.  
 Lawrence Paul Schmelzer, Bremen  
 Steven Karl Schriever, Cincinnati  
 Janet Seall, Columbus  
 Frank Raphael Segeti, Columbus  
 Jeffrey John Seilhamer, Columbus  
 James Kurt Seitzer, Columbus  
 Gary John Shemaka,  
 Centereach, N. Y.  
 Bruce Scott Smith, Columbus  
 Eric David Smith, University Heights  
 Alex Michael Stakleff, Akron  
 Judith Ann Stanford, Toledo  
 Thomas Alexander Steele, Marion  
 Michael Steven Steinmetz, Columbus  
 Gregory Thomas Stelzer, Columbus  
 Joan Marie Stets, Columbus  
 Bradley James Stith, Columbus  
 Claudia Miles Strasswimmer,  
 Columbus  
 Laven Michele Swan, Hampton, Va.  
 John Joseph Syphard, Youngstown  
 Marijo Bernadette Tamburrino,  
 Mansfield  
 Sue Switzer Thornton, Gahanna  
 Richard David Tobey, II, Dayton  
 Steven John Tomisek, Cicero, Ill.  
 John Albert Tosi, Poland  
 Patricia Ann Triggs, Macedonia  
 Roger James Truskoloski, Westerville  
 Joseph Stephan Vanyo, Worthington  
 Phillip William Walter, Mansfield  
 Patricia Jane Walters,  
 Garfield Heights  
 Cynthia Jane Weirich, Columbus  
 Ronald Lester White, West Union  
 Beth Ann Wichman, Mentor  
 Tamra Ann Williams, Nevada  
 Mary Kathryn Wise, Defiance  
 Michael Charles Witte, Lyndhurst  
 Henry Edward Young, Kettering  
 Richard Stanley Zack, Jr., Novelty  
 Anthony Joseph Zino,  
 Manhasset, N. Y.  
 Timothy Roland Zwiebel, Wapakoneta

## College of Humanities

Dean: Arthur E. Adams

### Bachelor of Arts

One hundred eighty-two candidates

William Alan Adamek, Columbus  
Bennie Wayne Allison, Youngstown  
Louis Ludwig Arko, Euclid  
William Edward Baer  
Lockbourne AFB  
Gary Baker, Cleveland  
Gregory Alan Barrett, Tipp City  
Stephanie Bart, Cincinnati  
Jackie Lynne Biggers, Columbus  
Richard A. Billingsley, Columbus  
Beverlee Kaye Blauser, Columbus  
James Fredrick Borstein,  
Winter Park, Fla.  
Charles Andrew Boyd, Elyria  
Evelyn Sue Brown, Rushville  
Mary Anne Buganski, Amherst  
Walter Louis Burdorf, III,  
Port Clinton  
Melvin Douglas Burns, Loveland  
Joan Louise Byrne, Hartsdale, N. Y.  
Roderick William Caldwell, Columbus  
Franklin Harris Canter,  
Philadelphia, Pa.  
James Ellsworth Couch, Van Wert  
Carl Edwin Crawford, Jr., Columbus  
John Michael Cutter, Loveland  
Diane Louise Danemayer, Cincinnati  
Diane Lee Daniel, Columbus  
Dana Christine Darwood, Van Wert  
Jacqueline Sue Davis, Columbus  
Sandra Simmons DeVennish,  
Columbus  
Alberto Y. Dick, Columbus  
Stephen Russell Dickerson, Coshocton  
Philip John DiGiando, Columbus  
Anita Christine Duy, Columbus  
Philip Clare Edwards, Orient  
Mark Joseph Ellis, Upper Sandusky  
David Bruce Etengoff, Columbus  
William Rodney Evans, Columbus  
Alexander Pomas Fasules, Fairborn  
David Lewis Feldwisch,  
New Knoxville  
Carol Ann Fichtelman, Columbus  
Debra Lynn Foles, Fairborn  
Sally Louise Fox,  
North Bellmore, N. Y.  
Robert Melvyn Frankle, Lorain  
David Lewis Franklin, Columbus  
Damon Ervin Frison, Columbus  
David R. Fuller, Columbus  
Gayle Ann Furman, Cleveland

Daniel Paul Gallagher, Cambridge  
Edward Faith Garrick, Columbus  
Michael Leis Gay, Cincinnati  
Wayne Edward Geisen,  
Falls Church, Va.  
Laurie Sue Gelman, Dayton  
Alan Bruce Govenar, Columbus  
Howard Michael Greenberg,  
Hewlett Harbor, N. Y.  
Andrew Richard Greene,  
San Antonio, Tex.  
Gloria Richards Grey, Columbus  
Bernard Gross, Youngstown  
Stewart Cory Gross,  
New Rochelle, N. Y.  
Neil Warren Gurney,  
Cleveland Heights  
Stephen John Habash, Steubenville  
\*Lisa Ann Haines, Columbiana  
Marsha Jane Hamilton, Kirtland  
Karen Denise Hammack, Columbus  
Luanne Brooke Handley, Dayton  
Donn Allen Hatch, St. Clairsville  
†Gail Elizabeth Hatcher, Columbus  
William Craig Hemming, Columbus  
Robert Bruce Hensley, Conneaut  
Sylvia Ruth Herman, Yonkers, N. Y.  
Barbara Elaine Herring,  
Norwich, Conn.  
†Anne Susan Heubach, Newark  
Janelle Rae Hill, Dayton  
Holly Gae Hirschberg, Hillside, N. J.  
Diana Marie Hoagland, Dayton  
Douglas Paul Horne, Dayton  
Dennis Evan Horwitz,  
Mayfield Heights  
†Gilia Lucia Iafolla, Columbus  
Elizabeth Ann Jeffries, Columbus  
Catherine Celine Johnston, Rayne, La.  
Rebekah Lee Jorgensen, Columbus  
Edwin James Jory, Columbus  
\*Nancy Ellen Kaler, Mansfield  
Donald John Kazayk, Jr., Columbus  
Lucy Marion Kazayk, Columbus  
Robert James Kehoe, Shelby  
Dennis Robert Kimball, Newark  
Michael Lee King, Trotwood  
Glen Gray Kizer, Worthington  
Richard Carl Klein, Jr., Columbus  
Howard David Korn, Wooster  
Richard Allen Kostura, Chagrin Falls  
Douglas Roger Kreiselman, Columbus  
William Thomas Kulas, Columbus  
Richard Joel Kurjan, Youngstown  
Rezzan Ayse Kurtis, Columbus  
Robert Arthur Lenander, Columbus  
Cynthia Lynn Lewis, Middletown  
Richard Louis Libutti,  
Spring Valley, N. Y.

Janet Elizabeth Lingard, Columbus  
Lawrence S. Lockshin, Canton  
Robert Oliver Loechler, Columbus  
Keith Eric Long, Delaware  
\*Nancy Elizabeth Long, Columbiana  
Nicolette Ann Love, Elyria  
David Brian Mackey, Columbus  
Michael Jay Markovitz, Chicago, Ill.  
Susan Marie Martina, Columbus  
Ruth Bush McGlone, Columbus  
Mary Elizabeth McMorrow, Zanesville  
Dennis Patrick McNames, Columbus  
Robert Andrew McNee, Columbus  
Frank Thomas McNeil, Columbus  
Gretchen Siegrist McNeil, Columbus  
Karen Sue Melcher, Union, N. J.  
Francis Raymond Miller, Jr.,  
Columbus  
Stuart Pracy Miller, Mentor  
William Paul Millisor, Marion  
Douglas Virgil Mills, Canton  
Robert Beier Mintz, Columbus  
Linda Marie Mitro, North Royalton  
Christian John Mixer, Columbus  
Glenn Michael Mudry,  
Bridgeton, N. J.  
David Luther Muehlbrad, Galion  
Scott Michael Murray, Lima  
Patricia K. Nelson, Parma Heights  
David Jacot Nesbitt, Columbus  
Deborah Louise Neubig, Columbus  
Kent Stephen Newman, Parma  
William Gene Nunley, Grove City  
Thomas Lynn Owdom, Columbus  
William Paul Panning, Jewel  
Kenneth Charles Podor, Cleveland  
\*Julia Ann Poirier, Columbus  
John Patrick Posani, Columbus  
Arthur Lynn Prince, Columbus  
David Calvin Quatman, Celina  
Susan Rose Raftery, Norwalk  
Sanjeev Ananda Rao, Jr., Wintersville  
Deborah Thompson Rice, Columbus  
Lucky Lorain Riley, Columbus  
Michaelangelo Rodriguez,  
Bronx, N. Y.  
\*Lawrence M. Romanoff, Toledo  
\*Deborah Ann Ruppelt, Bay Village  
Catherine Ann Rutkowski, Brecksville  
Joseph Edward Ryne, Kettering  
Sharron Smith Saam, Columbus  
Arthur Daniel Saby, Cleveland  
Michael John Sarris, Columbus  
Dean Robert Schell, Columbus  
\* Also Bachelor of Science in Education,  
College of Education  
† Also Certificate of Graduate Dental  
Hygienist, College of Dentistry

Julie Lynne Schlosser, Westerville  
 Anne Elizabeth Schmidt,  
 Pittsburgh, Pa.  
 Dennis Charles Seidel, Columbus  
 Michael Ralph Shore, Columbus  
 Dixon Harp Simcox, Ogelthorpe, Ga.  
 Darryl Arlen Skale, Dayton  
 Pamela Jane Skinner, Columbus  
 Stephen John Slovasky, Girard  
 Kenneth James Sluss, Columbus  
 Mary Elizabeth Snyder,  
 Maple Heights  
 Suzanne Soltis, Campbell  
 Allen Martin Stern, Bedford Heights  
 Dona Sue Straley, Williamsport  
 Pamela Paige Straughan, Columbus  
 Suzanne Stuntebeck, Columbus  
 Mark James Sullivan, Columbus  
 Constance Camille Taibi,  
 Yorktown Heights, N. Y.  
 Toby Glenn Thompson, Hamilton  
 David Steven Tobiasz, Parma  
 Richard Whitaker Troutman, Gahanna  
 Carol Ann Tueting, Wilmington, N. C.  
 Roger Lee Vogel, II, Worthington  
 Thomas Carl Vogelpohl, Columbus  
 †Anne Knowlson Wade, Whitehouse  
 Bruce Allison Wall, Columbus  
 James Richard Warren, Toledo  
 Deborah Katherine Watson, Columbus  
 Joan Anita Weyls, Parma Heights  
 Michael Dennis Wilke, Columbus  
 Craig Edward Williams, Painesville  
 George Lee Winkfield, Jr., Columbus  
 Diane Kay Wrassmann, Cincinnati  
 Joel Evans Wright, Youngstown  
 Norma Jean Wright, Elyria  
 George Edward Yund, Columbus

## College of Mathematics and Physical Sciences

Dean: Colin B. B. Bull

### Bachelor of Arts

Fifteen candidates

William Hedges Ballard, Columbus  
 Diana Lee Buckeye, Avon Lake  
 William Robert Carleton, Columbus  
 Nancy Duffey Edwards, Columbus  
 Stuart Zane Epstein, Skokie, Ill.  
 Martin Harvey Frantz, Stow  
 Joan Ann Gentry, Miamisburg  
 B.S.Ed.  
 James Douglas Grigger,  
 North Royalton, B.S.Ed.

Donald Erle Jolley, Lima  
 Ronald Edward Kenat,  
 Fairview Park  
 \*Craig Williamson Kramer,  
 Worthington  
 Joan Marie Miller, East Sparta  
 Stephen Douglas Sato, Columbus  
 B.S.  
 Catherine Anne Schambach,  
 Cleveland  
 \*\*Frederick M. Zeigler, Columbus

### Bachelor of Science

Sixty-eight candidates

Ralph Lambert Abell, Cincinnati  
 Kevin Lee Alexander, Maumee  
 Randall H. Ankrom, Quaker City  
 Phyllis Lynne Bean, Findlay  
 Karl Bennett, Worthington  
 Marvin Sanford Blank, Columbus  
 Charles William Boeder, Lima  
 Brian Boso, Moundsville, W. Va.  
 Robert Mark Boysel, Ridgeway  
 Thomas Michael Brewer,  
 Fairview Park  
 Timothy Gerard Brickner, Delphos  
 Courtenay Ann Cloran,  
 East Liverpool  
 Michael Anthony Costello,  
 Frankfort, N. Y.  
 William Dale Cox, Columbus  
 Charles Richard Craiglow, Louisville  
 Wayne Edward Culbertson, Columbus  
 James Lewayne Day, Whitehall  
 Dana Edward DeJohn, Lima  
 Nancy L. Dostal, Brecksville  
 Morris Edward Eberts, Columbus  
 Mary Katharine Egelhoff, Columbus  
 Robert Earl Ellis, Columbus  
 Kathy Lynn Forbes, Lockbourne AFB  
 Laura Helen Greene,  
 University Heights  
 Sarah Ann Grove, Springfield  
 Charles Edward Guthrie, Xenia  
 Frank Robert Harrison, Cincinnati  
 James Edward Hill, Jr., Newark  
 Richard Carl Immel, Jr., Columbus  
 Paul Edward Janis, Euclid  
 Stephen Robert Karnes, Columbus  
 Anthony James Knapke, Minster  
 Martin Arthur Kopacz, Ironton  
 John Bradford Lohse, Pomeroy  
 Charles Peter Marabella, Columbus  
 William Gregory Masterson,  
 Avon Lake  
 Richard Lynn McGinnis, Elyria

Allen Harris Miller,  
 Cleveland Heights  
 Terry William Miller, Harrisburg  
 Spencer David Mortensen, Columbus  
 Karen Jane Mower, Columbus  
 Steven Thomas Newell, Delaware  
 Robert George Nickol, Cincinnati  
 John Allen Pickens, Columbus  
 Michael Andrew Powell, Columbus  
 David Neil Radabaugh, Holgate  
 Jerry Dennis Riegel, Cincinnati  
 Robert William Ring, Clifton, N. J.  
 Roger William Rosenbeck, St. Henry  
 Lannie Dale Rowe, Proctorville  
 Larry Grant Samson, Columbus  
 B.A.  
 John Richard Santeler, Columbus  
 Earl Howard Sexton, III, Columbus  
 Greg Alan Shreve, Mansfield  
 Philip Dean Smith, Shadyside  
 Nancy Carol Spaan,  
 Middleburg Heights  
 Brian Duane Starr, Parma  
 Gary Kingsley Telecan, Norwood  
 Michael Scott Temple, Grove City  
 William Palmer Toppari, Columbus  
 Nathan Andrew VanDyke, Lima  
 Scott Edward Walters,  
 Lockport, N. Y.  
 David Allen Warner, Bowerston  
 Darryl Wayne Welch, Columbus  
 Carl Frederick Wellstead, Perrysburg  
 William Allen Young, Hyde, Pa.  
 Raymond Yurkewycz, Youngstown  
 Eric Lawrence Ziercher, Columbus

## College of Social and Behavioral Sciences

Dean: Franklin P. Kilpatrick

### Bachelor of Arts

Three hundred twenty-three candidates

Lauren Lynn Aguzzi, Armonk, N. Y.  
 †Linda Marie Andrasic, Mansfield  
 John Allen Archer, Westerville  
 Joyce Ann Armstrong, Hamilton  
 Arlene Sue Ascherman, Columbus  
 John Allen Ashe, Akron  
 Nancy Jean Ashton, Danvers, Mass.  
 Jean Ellen Aurand, Worthington

†Also Certificate of Graduate Dental Hygienist, College of Dentistry  
 \*Also Bachelor of Science in Education, College of Education  
 \*\*Also Bachelor of Music, Colleges of the Arts and Sciences

Dan Bacal, Lyndhurst  
Stanley William Baker, Cardington  
William Robert Barlow, Columbus  
Maryann M. Battaglia,  
Philadelphia, Pa.  
Marjorie Golden Bayer, Columbus  
Janice Carol Berezin,  
Lincolnwood, Ill.  
Michael Kelly Berlin, Glen Rock, N. J.  
Henry Louis Bernstein, Columbus  
Joan Marsha Black, Toledo  
Catherine Ann Blaha, Cleveland  
Gerald Francis Bohan, Columbus  
Bernard Gene Bonnem,  
Arlington Heights, Ill.  
Michael Joseph Bosela, Youngstown  
Edward Joseph Bourdeau,  
Syracuse, N. Y.  
Anne Bozickovic, Cleveland  
John Walter Bradford, Columbus  
Larry Fredrick Brandal, Columbus  
Jeffrey Alan Briscoe, Columbus  
Arthur Rutherford Brooks, Columbus  
Richard Reed Brooks, Mogadore  
James Lee Brown, Fairfield  
Laura Lynn Brunton, Columbus  
Gloria Jeanne Bryan, Columbus  
Richard Dale Buchanan, Toledo  
Vicki Reynolds Burlingame, Columbus  
Gerda Heim Buskirk, Columbus  
Steven Mark Butnik, South Euclid  
Michael Hiram Carpenter, Columbus  
John Hites Castle, Bedford  
Pauline Diane Cermak,  
Garfield Heights  
Deborah Loraine Chaconas, Newark  
John Joseph Champa, West Jefferson  
Stephen Eric Chappelle, Newark  
Claire June Chicoe, Columbus  
Thomas John Chordas, Columbus  
Drema Lynn Christian, Columbus  
John Michael Chrystal, Columbus  
Marilyn Anne Claar, Springfield  
B.S.Ed.  
Diana Lynn Cline, Dayton  
Judith Marie Cockerham,  
North Canton  
Christina Louise Coffey, Greenfield  
Philip Curtis Conti, Tenafly, N. J.  
Richard Alan Cooper, Rocky River  
William Jay Cooper, Columbus  
Carol Beth Cotner, Columbus  
†Margaret Jenness Cotter,  
Traverse City, Mich.  
John Sarkis Coury, Canton  
Gary Steven Cover, Marion  
Brian Joel Cowan, Beachwood  
Clark William Cowles, Loveland  
Thomas Richard Cramer, Mt. Vernon

Robert Alan Crider, North Olmsted  
Lee William Crook, III, Wellsville  
Kevin David Cull, Columbus  
Darlene Dalley, Alliance  
Ric Daniell, Columbus  
Michael Ray Decker, Marion  
Paula Diane Dendiu, Youngstown  
Scot Evan Dewhirst, Morrow  
Barbara Brown Dooley, Columbus  
Carl Joseph Drago, Bronx, N. Y.  
Thomas Eugene Dysinger, Tipp City  
Richard Wayne Effinger, Willoughby  
Sharon Gail Ettinger, Columbus  
Margaret Jane Feigelson, Cincinnati  
James Alan Fetzer, Lima  
Robert A. Fischnich, Massillon  
Joseph Gregory Follansbee, Columbus  
Robin Doreen Forsythe, Medina  
Anthony Joseph Fortkamp,  
Maria Stein  
James Nicholas Foster, Newark  
Mark Louis Frankart, Tiffin  
David Edward Freel, Niles  
Robin Alan Fry, Columbus  
Jonathan Marc Galvin,  
University Heights  
Harold Dean Gibson, Oberlin  
Edith Kay Gilbert, Columbus  
Richard Allen Gill, Hebron  
William Thomas Gillespie, Jr.,  
Vincent  
Scott Tanner Gillmore,  
Shaker Heights  
Sam Lee Gletzer, Columbus  
Steven Edward Glickman,  
Roslyn, N. Y.  
†Jamie Glueck, Shaker Heights  
William Anthony Glynn, Springfield  
Rebecca Jane Gohmann, Portsmouth  
Gerald Richard Graham, Hebron  
Katherine Ford Graham, Columbus  
Debra Lea Grantz, Youngstown  
Gary Allen Green, Thornville  
Dennis Bruce Greenberger,  
Cleveland Heights  
David Ivan Greenfield,  
East Orange, N. J.  
Dennis Donald Grey, Columbus  
John Wesley Griffith, Amlin  
Karl William Gruber, Willoughby  
Helen Jessie Gurney, Columbus  
†Nancy Gassen Guzzo, Reynoldsburg  
Andrew Royden Gyourko,  
West Carrollton  
Thomas Harry Haggerty,  
Tucson, Ariz.  
Jane Terry Haltiwanger,  
Gaithersburg, Md.  
Marolyn Renee Halverson, Columbus

Dru Ann Hancock, Trotwood  
Gary Bruce Hanfing,  
East Meadow, N. Y.  
Richard C. Hannon, Jr., Carrollton  
Stephen John Hauser, Columbus  
Beverly Joyce Hawkins, Dayton  
Douglas Earl Heaton, Columbus  
Thelma Helberg, Wilmette, Ill.  
Sharon Lynne Hengen,  
Highland Heights  
Hector Hernandez, Columbus  
Robert Lee Herron, Salem  
Lidia Myroslava Hishynsky, Parma  
Miron Hnylka, Lorain  
Jay Stanley Hobgood, Tuscaloosa, Ala.  
Herbert Lee Holzman, Skokie, Ill.  
Wendy Susan Howard, Columbus  
Debra Ann Hughes, Columbus  
James Charles Humphrey, Columbus  
Robert Michael Hutzelman, Hamilton  
John Edwin Isome, Cincinnati  
Nancy Simon Jackson, Centerville  
Laurence Scott Jacobs, Canton  
Roxanna Marie Jones, Columbus  
Scott Lester Jones, North Olmsted  
Steven Carl Jones, Columbus  
Kathleen Walker Karaffa, Columbus  
Marcy Ann Kaufman, Merrick, N. Y.  
Robert Douglas Keiser, Toledo  
Robert Kent Kelly, Butler, Pa.  
Linda Joyce Kerekes, Walton Hills  
Sharon Lee Kettelman, Worthington  
Wesley Scott Kibler, Bucyrus  
Mark Alan Kircher, Rocky River  
Stephen Matthew Klevay,  
Independence  
Brian Dustman Knoef, Dayton  
Gregory Paul Koehler, Springfield  
Dale Martin Kramer, Shaker Heights  
†Deborah Anne Kuhman, Toledo  
Jane Beryl Kutler, Columbus  
Stanford Hayden Lampe,  
Lexington, Ky.  
Stephen William Lang, Columbus  
Wallace William Lansberry,  
Columbus  
†Janice Jean Large, Newark  
Cynthia K. Lee, Rutherford, N. J.  
Joan Penny Leeb, South Euclid  
Kathy Lou Lemley, East Palestine  
Jason Robert Levine,  
University Heights  
Edward Jay Lipkin, Lynbrook, N. Y.  
Donna Knight Little,  
Ypsilante, Mich.  
† Also Certificate of Graduate Dental  
Hygienist, College of Dentistry

Arnold F. Lizan,  
North Woodmere, N. Y.  
George Lynas Long, Columbus  
Kenneth Donald Long,  
North Olmsted  
Bruce Roy Lowry, Columbus  
Helene Gail Lutsker, Shaker Heights  
Deborah Marie Manchester, Niles  
Carlton Parks Marcus, III,  
Dundee, Ill.  
Randall Gene Martz, Columbus  
Janis Mary Mascolino, Steubenville  
Dennis Michael Matko, Columbus  
Richard Craig Maurer, Somerset  
\*Susanne Marie Maxim, Enon  
Kathy McCarthy, Dayton  
J. Luke McCormick, Columbus  
James Edward McDowell, Cincinnati  
†Penny Lou McElwee, Delaware  
Ronald Anthony McGinnis,  
Youngstown  
Roberta Lynne McIntire, Brilliant  
Patrick Archibald McKendry,  
North Olmsted  
Roger Michael McKinley, Findlay  
Stephen Wilson Meagher, Columbus  
Robert Lansing Melville, Rocky River  
Christopher Richard Meyer, Columbus  
Thomas H. Meyer, Columbus  
Denise Marie Miller, Enon  
Karen Patrice Miller, Columbus  
Tommie Sharp Miller, Columbus  
Janet Helen Minor, Worthington  
David Charles Mitchell, Marion  
Timothy Kurtz Mitchell, Columbus  
\*Karen Ann Moran, Mansfield  
Michael William Mowery, Tiffin  
Joanne Kay Musch, Cuyahoga Falls  
Cathy Fran Nager,  
East Meadow, N. Y.  
Linda Lee Nelson, Willowick  
Laurel Ann Nemitz, Reynoldsburg  
Lenore Cecile Neumann,  
Jamaica, N. Y.  
Roberta Irene Nickol, Cincinnati  
Mark Allen Nordstrom, Cincinnati  
Michael Kevin Nunner, Cincinnati  
Steven Stan Obremski,  
Brooklyn, N. Y.  
Elizabeth Ohle, Cleveland Heights  
Kwok Tow Ong, Blythe, Calif.  
Barbara Jean Onutz, Cleveland  
Sue Ann Orinski, Columbus  
William Donald Overbeay, Columbus  
Deborah Jean Owen, Garrettsville  
James Michael Palm, Hebron  
†Marianne Parker, Pittsburgh, Pa.  
Anna Yvonne Parks, Dayton  
†Joanne Margaret Peer, Dayton  
Nancy Lyn Pelligra, Cuyahoga Falls  
Nancy Ann Penovich, Canton  
William Patrick Peoples, Euclid  
Wendy Perkins, Cincinnati  
Thomas Michael Phillips, Columbus  
William John Phillips, Berlin Heights  
Laura Goldsborough Phinney,  
Mission Hills, Kan.  
John Allen Porter, Mansfield  
Mark Potnick, Bridgeport  
Susan Leigh Pratt,  
Wilmington, Del.  
Cecil Edwin Price, Jr., Columbus  
Walter Scott Pritchard, Aurora  
Fredric Paul Provenzano, Columbus  
Lorraine Kolb Quinn, Columbus  
Robin Spencer Quinn, Columbus  
Roberta Faye Raeburn,  
Flushing, N.Y.  
\*Janet Karen Ransom, Columbus  
Bruce Alfred Rappoport, Columbus  
Nathan Ray Rausch, Marysville  
Kevin Joseph Reis, Columbus  
Jennifer Lynn Rizer, Westerville  
Carol Ann Robinson, Cleveland  
Scott Edward Robinson, Columbus  
Randall William Rollyson, Columbus  
Patricia Beth Rosen, Cincinnati  
John Alfred Rosenfield, Columbus  
John Francis Rotilie, Akron  
William Francis Rowe,  
Canal Winchester  
Mark Wilson Rupert, New Waterford  
Douglas Alan Russell, Columbus  
William Patrick Ryan, Cincinnati  
William Lawrence Sanders, Columbus  
William M. Schaefer, Parma  
Randy John Schaerf, Columbus  
Deborah Ellen Schipper, St. Marys  
Mark Ronald Schweikert, Cincinnati  
Joseph Anthony Sedlak, Chagrin Falls  
Michael James Seekford,  
Tremont City  
Jeanette Carol Seeman, Columbus  
Michael Anthony Senatore, Bellaire  
Warren Phillip Settles, Jr.,  
Reynoldsburg  
Pamela Jean Shones,  
Richmond Heights  
Eugene Robert Shultz, Columbus  
Carol Lois Shuttleworth, Columbus  
Gary Lee Siefker, Russells Point  
Jerry Alan Siegel, University Heights  
Marianna Sigmier, Youngstown  
Andrea Jean Simon, Columbus  
Charles Robert Simpson,  
Cuyahoga Falls  
Anthony Alexander Skunza, Columbus  
Jimmy Lee Smith, Columbus  
William Franklin Smith, Garrettsville  
Walter Sodik, Canton  
Peter Joseph Souch, III, Columbus  
Nancy Lou Sponseller, Columbus  
Jon Robert Spring, North Canton  
Robert Dale Stacy, Lebanon  
Peggy Diane Stadler, Massillon  
Janet Marie Stanford, Toledo  
Stephen Alan Stein, Plainview, N. Y.  
Walter Eugene Stevens, Jr., Cleveland  
†Sharon Ruth Stoner, Akron  
Thomas Austin Stout, Portsmouth  
Deborah Lynn St. Pierre, Dayton  
Norman Charles Straker, Columbus  
Pamela Sue Stroud, Columbus  
Deborah M. Sullivan, East Palestine  
Frank Daniel Talleda, Apple Creek  
Pamela Joyce Taylor, Columbus  
Merle Ann Teitelbaum, Chicago, Ill.  
Leslie Bryna Terkel, Beachwood  
Sara Sue Tetlow, Toledo  
David Louis Thompson, Findlay  
Sandra Jo Tillett, Mantua  
Emilene Davis Tooker, Columbus  
Robert Ward Trafford, Columbus  
John Robert Trotter, Jr.,  
Parma Heights  
Shelley Mona Turk,  
West Orange, N. J.  
Norman Jay Ullom, Columbus  
Jeffrey Henry Ungar, Columbus  
Laurie Diane Urlaub,  
West Hempstead, N. Y.  
Richard Allen Utz, New Washington  
Joyce Kay Valentine, Circleville  
Eric John Vehr, Cincinnati  
Edward William Vinocur, Columbus  
Vickie Lynne Voeller, Worthington  
Dexter Alan Volpe, Columbus  
John William Walker, Mansfield  
Timothy Richard Wallace, Columbus  
Amy Jane Walters, Warren  
Thomas Nathaniel Warren,  
Springfield  
Samia Elise Warwar, Dayton  
David Martin Watkins, Jr.,  
Reynoldsburg  
Michael Douglas Watson, Columbus  
John Joseph Webb, Columbus  
Marilyn J. Webster, Grove City  
William Barry Weiss, Beachwood  
Donald Freeman Westra, Jr.,  
Columbus  
James Frederick Whaley, Grove City

\* Also Bachelor of Science in Education,  
College of Education  
† Also Certificate of Graduate Dental  
Hygienist, College of Dentistry

William Steven White, Columbus  
 Jeffrey Wayne Whiting, Kettering  
 Roger William Whittaker, Solon  
 Dennis Ray Wilcox, Willard  
 Linda Ann Wilkins, Columbus  
 James Dean Williams, Heath  
 Lee Allen Williams, Canton  
 Vernon Keith Williamson, Columbus  
 Dennis Patrick Wirtz, Canton  
 Scott Thomas Wolfe, Gahanna  
 Gary Furlen Woods, Youngstown  
 Stephen Lee Wygle, Marion  
 Jerome Alan Young, Columbus  
 Dennis Paul Zawacki,  
 Vandergrift, Pa.  
 Patricia Louise Zelazny, Akron  
 Donald John Zelenka, Akron  
 Eugene Dennis Zoldeszy,  
 New Rochelle, N. Y.

#### Bachelor of Science

Fifty-two candidates

Robert Charles Baker, Columbus  
 Jeffrey Douglas Baumel, Chester  
 Charles Otto Benz, II, Massillon  
 Charlotte Louise Block, Joliet, Ill.  
 James Allen Boysen, Columbus  
 William Nelson Bulger, Hilliard  
 Ian Cooper, Little Neck, N. Y.  
 Catherine Theresa Coridan, Columbus  
 Melinda Ann Crim, Indianapolis, Ind.  
 James Thomas Cypher, Columbus  
 B.A.  
 Peter Michael DiGiulio, Medina, N. Y.  
 Patrice Sue Dunlap, Grove City  
 Luis Thomas Duran, Findlay  
 Karen Sue Fries, Youngstown  
 Marjorie Yvonne Gault, Coshocton  
 Neil Richard Gilliland, Wheelersburg  
 James Elwin Goranson, Toledo  
 David Milan Grubich, Steubenville  
 John Ricky Hall, Columbus  
 Mark Duane Hefty, Canton  
 Ann Irene Hochman, Ithaca, N. Y.  
 Joan Kathleen Hoff, Warren  
 Richard Jeffrey Hopkin, Columbus  
 William Lee Howard, Columbus  
 Kenneth H. Kauffer, Dublin  
 Rosalie Ida Kefalas, Mansfield  
 Robert David Lacker, Hamilton  
 Joseph Scott Lampert, Columbus  
 Patrick Michael Lenahan, Cincinnati  
 Anita Ries Lilburn, Columbus  
 Harriet Louise Maccracken,  
 Columbus  
 Jill A. Dominique Magnant, Columbus  
 Donald Ray Miller, North Olmsted

William Waitte Parker, III, Kettering  
 Mary Christine Paxson, Fremont  
 Evan Jerome Phillips, Jr., Columbus  
 Sheryl Lee Prince, Columbus  
 Reta Ann Prosser, Mansfield  
 Deborah Ann Reynolds, Columbus  
 John H. Rosemond, Jr., Columbus  
 Ira Wayne Rosen, Columbus  
 David Alan Rosenberg, Lyndhurst  
 Mark Arthur Rowland, Massillon  
 David Steven Sheaves, Columbus  
 John Davenport Shoemaker,  
 Springfield  
 Joseph Michael Sousaris,  
 North Canton  
 Raymond Sprogis, Columbus  
 David Coleman Tisdale, Columbus  
 Robert Alan Waldman, Beachwood  
 Leah Jane Watson, Columbus  
 Walter Eugene Weber, Middletown  
 John Gordon Whittier, Columbus

#### School of Journalism

##### Bachelor of Arts in Journalism

Fifty-nine candidates

Robert Thomas Beaman, Groveport  
 Loren Louis Braverman, Columbus  
 Robert Fredrick Bremer,  
 Reynoldsburg  
 Ernest Albert Brown, Youngstown  
 Bonnie Joy Chavin, Skokie, Ill.  
 Michael David Chern, Hilliard  
 Celeste Ann Choice, Dayton  
 Jacqueline Dee Cohen, Pittsburgh, Pa.  
 Eric William Davis, Marion  
 Laura Ann Diesing, Bay Village  
 Valerie Anderson Dobbs, Columbus  
 David Philip Dussing, Cleveland  
 Lynn Yoxtheimer Eib, Columbus  
 Marilyn Lois Elwer, Fort Jennings  
 Richard Wayne Ferris, Lakeville  
 Jon Patrick Fobes, Kingsville  
 Patricia Gilkey Frey, Cincinnati  
 Timothy Ray Gaffney, Dayton  
 Joseph Stephen Gallagher, Troy  
 Craig William Gervason, Columbus  
 Jennifer Jessica Hedges,  
 Allison Park, Pa.  
 Michael Allen Heinzman, Columbus  
 Barry Michael Horstman, Cincinnati  
 Victoria Elizabeth Jackson,  
 Chagrin Falls  
 Karen Linser Johnson, Columbus  
 Anne Roberta Kavan, Lyndhurst  
 Andrea Jean Keliar, Glenshaw, Pa.  
 Janet Anne Kemper, Lakewood

Robert Michael Kerr, Troy  
 Margaret Elizabeth King, Columbus  
 William Forest Kirby, Snellville, Ga.  
 Daniel Richard Kleps,  
 Richmond Heights  
 Jo Ann Kovach, Cincinnati  
 Denise Cheryl Lee, Beachwood  
 Mark E. Lippencott, Irwin  
 James Wells Lloyd, Alexandria  
 Diana Lynne Mardis, Cincinnati  
 Edward Allen Mayer, Ashtabula  
 Robert Ellis Mazerov, Columbus  
 Wolford Massie McCue, Columbus  
 Dale Michael Meggas, Cleveland  
 James Lawrence Mickey, Canton  
 Carole Ann Nance, Columbus  
 John Danbridge Outland, Laura  
 James Pozzuoli, Brooklyn, N. Y.  
 Michael Romick, Lorain  
 Eloise MacDonald Ross, Willoughby  
 Michael Hugh Ryan, Columbus  
 Lorrie Anne Secrest, Cambridge  
 Calvin Michael Straker, Columbus  
 Jeffery Christopher Sumskis, Hudson  
 David Andrew Swiderski, Brook Park  
 Susan Mary Szollosi, Newark  
 Martin Ira Tacktil, Columbus  
 Howard Cypress Task,  
 University Heights  
 Jon Percy Thomas, Cleveland  
 Rita Ann Weinman,  
 Chattanooga, Tenn.  
 Larry Leroy Yawn, Columbus  
 Sheldon Howard Zoldan, Youngstown

## College of Administrative Science

Dean: James R. McCoy

### Bachelor of Science in Business Administration

Two hundred seventy-two candidates

Robert Barnes Abbott, Chicago, Ill.  
Martin Neal Ackerman, Cincinnati  
Barry Mark Adelman, Canton  
Kenneth Eugene Art, Celina  
Scott Alan Axelrood,  
Highland Park, Ill.  
Ronald Edward Baker, South Euclid  
Charles Leslie Baldwin, Hillsboro  
Kim Charles Barnett, Columbus  
Donald John Baumann, Parma  
Teresa Helene Bavetz, Columbus  
Thomas Lee Baxa, St. Clairsville  
Robert Eugene Beach, Arlington  
Kenneth Justin Beck, North Olmsted  
Stephen Richard Bedell, Stow  
Larry Joseph Bellman, Leipsic  
Bruce Edward Bennett, Findlay  
Bruce Stephen Beyer, Columbus  
Jay Randall Beyer, Columbus  
Mitchell Edward Bitting,  
Middleburg, Pa.  
Earl Albert Borths, Cincinnati  
Douglas Robert Bothe, Centerville  
Robert William Bouvé, North Olmsted  
John Craig Bovenizer, Cadiz  
William Lee Bowen, Marion  
Lowell Thomas Bowers, Greenville  
Garry Michael Bowman, Findlay  
Robert Francis Brado, Lexington  
Robert John Braski, North Madison  
John Harvey Brewer, II, Hilliard  
David Allen Brown, Columbus  
Kenneth Stanley Brown, Wooster  
Mark Michael Brutto, Camp Hill, Pa.  
Robert George Bryden, Steubenville  
Peter Harold Bura, Lakewood  
Frederick Dean Burden,  
Fredericktown  
Andrew Jay Burkholder, Bluffton  
James David Butler, Grove City  
Robert George Byrom, Niles  
William Harold Callahan, Westerville  
Steven Charles Carmean, Dunkirk  
Larry Alan Carter, East Liverpool  
Thomas Kenneth Cheney, Troy  
Roger Owen Cherubini, Newark  
Robert Childs, Jr., Columbus  
Robert Charles Cindric, North Canton  
Daniel Alan Cores, Coshocton  
Charles Bert Corlett, Shaker Heights  
Joseph Christopher Corry, Zanesville  
Allan Whitfield Cox, Jr., Sylvania  
Timothy W. Cox, Grove City  
Thomas Michael Coyle, Sandusky  
Nancy Ellen Crawford, Coshocton  
Theodore Wayne Cremeans,  
Magnetic Springs  
Paul Richard Crites, Wintersville  
Edward Joseph Cullman, Columbus  
Thomas Franklin Cunningham,  
Columbus  
Carl Howard Davis, Ionia, Mich.  
Donald Lee Davis,  
District Heights, Md.  
Donald Dwight Dean, Jr., Marathon  
Jeffrey Lynn DeMent, Macedonia  
Michael Edward Diller, Cincinnati  
Richard McClain Dodsworth,  
Columbus  
Jeryl Lynn Donough, Marion  
James William Donnellon, Cincinnati  
Timothy Jon Donnelly, Cleveland  
Steven Paul Drefahl, Ashtabula  
Michael Francis Drennen, Springfield  
Jerry Zail Edelman, Lima  
Thomas Ray Eisert, Spencerville  
Terry Lee Elliott, Cincinnati  
James Franklin Elwood, Columbus  
William Arthur Enghausen, Columbus  
Jeffrey Stuart English, Chagrin Falls  
Marjorie May Engstrom,  
Grosse Pointe, Mich.  
Marc Ivan Eppler, Cleveland  
Randolph James Essell, Cincinnati  
Gary Lee Evans, Grove City  
Thomas George Falotico,  
Fair Haven, N. J.  
Harry Estel Ferris, Jr., Cincinnati  
James Douglas Feth, Sallineville  
David Michael Fierle, Lyndhurst  
Robert David Flacks, Dayton  
Steve Preston Foster, Waverly  
Daniel Joel Frankiewicz,  
Cheektowaga, N. Y.  
Randy Allan Gabor, Lorain  
Marc Preston Gertz, Akron  
Christopher Dean Ghiloni, Newark  
Donald Edward Ginsdraw, Akron  
Michael Israel Ginsberg,  
Plainview, N. Y.  
David Michael Givens, East Liverpool  
Peter Alan Goodwin, Columbus  
Joseph John Governal, Columbus  
Barbara Feick Gregory, Sandusky  
Clifford Jay Gregory, Conneaut  
Ronald Bernard Gurr,  
Broadview Heights  
Karen Ann Halischak, Steubenville  
Michael Lynn Harding, Trotwood  
Richard Harsnett, Cincinnati  
Robert Lee Hartings, Celina  
Katherine Anne Hayes, Pepper Pike  
Neil Jerry Hellman, Rochester, N. Y.  
Thomas Edward Deam Hicks,  
Columbus  
B.A.  
David Charles Hill, Wallingford, Pa.  
Roger Allan Hoey, Bremen  
George Scott Hofmeister, Salem  
Jeffrey Paul Hollis, Lakewood  
Michael Edward Holtzleiter,  
Cincinnati  
Randy Lee Homrighouse, Cortland  
Monica Starine Hoppe, Toledo  
William Joseph Hultzman, Parma  
Fred Wister Humes, Raleigh, N. C.  
Daniel Dickson Humrighouse,  
Gahanna  
Dennis Edward Hunter,  
Highland Heights  
Eric John Hutchison,  
Montville, N. J.  
JoAnn Kay Hutmacher, Sebring  
Heinz Erhard Iekert, Mansfield  
Gerald Aaron Jackson, Bellville  
Daniel Paul Jaykel, Elyria  
Dwight Alan Jeffrey,  
North Andover, Mass.  
Gary Ray Johns, Toledo  
Michael Francis Johnson, Mogadore  
Richard Irvin Johnson, Rocky River  
Evan Haydn Jones, Columbus  
Mark Stanley Kardish, Poland  
Raymond Mark Karol,  
Natrona Heights, Pa.  
George Christian Kees, Portsmouth  
Kim Howard Keller, Columbus  
Steven Carl Kelley, Trotwood  
Darin Gene Kendall, Worthington  
Stephen John Kiel, Union, N. J.  
John Patrick Kiener, Columbus  
Douglas Warren King, Kettering  
George Gregory King, Newark  
Walter Stephen Klevay, Jr.,  
Independence  
Idelle Kohn, Cleveland  
John William Konowski, McDonald  
James Kotagides, Canton  
Jeffrey Louis Kraker, Columbus  
Edward James Kraly, Lorain  
Gary Thomas Kubic, Youngstown  
Kyle Albert Kunst, Springfield  
David Arthur Lamneck, Mansfield  
Warren Elmore Langdon, Columbus  
Larry Bartlett Lauterhahn,  
Cuyahoga Falls  
Laura Ann Leslie, Worthington  
Robert Dorsey Lightie, Frankfort  
Charles Henry Litton,  
Phillipsburg, N. J.  
Ralph Giovanni Loretta, Columbus  
Raymond Lowe, Fairborn



James August Mackenbach, St. Marys  
 James Michael Malinowski, Shelby  
 Michael Frederick Malkowski,  
 Columbus  
 Dolores Jean Malley, Huntsville  
 Thomas Kent Manning,  
 Charleston, W. Va.  
 Jeffrey Stuart Marsh, Marysville  
 Larry Allen Martin, Mansfield  
 Paul Michael Marusiak, Akron  
 Raymond Edward Mason, III,  
 Worthington  
 Timothy Patrick McCabe, Columbus  
 Thomas Dale McCarley, Hillsboro  
 Christopher John McGath, Columbus  
 Robert Sherman McIntyre, Columbus  
 Daniel Joseph McKee, MacArthur  
 John Roy Mechlin, Jr., Columbus  
 Gary Lee Meyer, Toledo  
 Harold Wesley Miller, Jr., Marion  
 Daniel Anderson Miree, Cincinnati  
 Stan Monaco, Columbus  
 David Elwood Moore, Shelby  
 Gordon Fairle Moore II, Alton, Ill.  
 Gregory Dean Moreland,  
 Grafton, W. Va.  
 Donald Bruce Neuerman,  
 Shaker Heights  
 Charles Lynn Nord, Hubbard  
 Howard Jeffrey Osten, Rochester, N. Y.  
 John George Overturf, Richmond, Ind.  
 Patricia Ann Paulin, Euclid  
 Russell Edward Peck, Cleveland  
 Steven Ralph Perdue, South Zanesville  
 Bruce Cameron Perry, Middletown  
 Michael Enzel Pittman, Xenia  
 Christopher Polischuck, Greene, N. Y.  
 Danny Stanton Porter, Newark  
 Dennis Andrew Price, Mansfield  
 Douglas Robert Prittie, Aurora  
 Roger Allen Pulley, Westerville  
 William James Ralph, Delaware  
 Corinne Dryer Reilly, Columbus  
 Raymond George Rennebaum, Jr.,  
 Independence  
 Walter Allen Rice, Lisbon  
 Mary Clara Richmond, South Euclid  
 Randall Dale Ridenour, Bellville  
 Lloyd Riley, III, Columbus  
 John Duffey Roessler, Zanesville  
 James Patterson Rorick, Bucyrus  
 John Rosnick, Powhatan Point  
 Steven Edward Ross, Mansfield  
 Ronald James Rostas,  
 Garfield Heights  
 Arthur Flinn Royon, III,  
 Columbia Station  
 Steven Ruben, Cincinnati  
 Timothy Lee Ryan, Martinsburg

Stephen Michael Sample, Middletown  
 Gerald Carl Sautter, Mansfield  
 Joseph Mark Schirtzinger, Columbus  
 Donald James Schonhardt,  
 Reynoldsburg  
 Terence James Scott, St. Louis, Mo.  
 Robert Kent Sealscott, Van Wert  
 Dale Edward Semeniw, Perrysburg  
 Patricia Ann Shaffer,  
 Upper St. Clair, Pa.  
 Timothy Gene Shaw, Columbus  
 Douglas Hughes Sheffer, Sandusky  
 Robert Wayne Shively, Lewisburg  
 David Roy Shulman,  
 Valley Stream, N. Y.  
 Michael William Siegfried, Elyria  
 Stuart Jeffrey Simms, Cleveland  
 John Thomas Simpson, Euclid  
 Don Richard Smith, Fletcher  
 Ralph Edward Smucker, Plain City  
 Michael Joseph Speed, Cincinnati  
 Wayne William Spiegel, Bucyrus  
 David Bruce Spracklen, Springfield  
 Gary Charles Stahl, Zanesville  
 William Newell Stannard, Wellington  
 Michael Scott Steinberg,  
 New York, N. Y.  
 Scott Evan Stern, Roslyn, N. Y.  
 Robert Lloyd Stewart, Pittsburgh, Pa.  
 Thomas Lee Stober, Holgate  
 Mark Anthony Stoessner, Cleveland  
 Michael Keith Sutton, Wintersville  
 Gary David Swisher, Bucyrus  
 Robert Donald Tasuber, Cincinnati  
 John Stephen Teator, Marion  
 David Orlin Terrell, Painesville  
 Kenneth David Thomas, Brunswick  
 Barbara Jean Tokar, Vermilion  
 James Emmett Tompkins, Columbus  
 Gwendolyn Totterdale, Pleasant Grove  
 Joseph Frederick Traunwieser,  
 Mansfield  
 John Wilson Treleavan, Medina  
 William George Trivette, Kettering  
 James Michael Tucker,  
 Shaker Heights  
 Steven Paul Tvert, Shaker Heights  
 William Joseph Ujek, Jr., Flushing  
 Don William Utzinger, Kettering  
 Robert Willard Van Cleave, Columbus  
 Eros Pete Vladovich, Parma  
 Sam James Vogel, Fairfield  
 Jay Leslie Waltzman, Columbus  
 John Forest Waldorf, Jr.,  
 Reynoldsburg  
 Thomas S. Wallace, Delaware  
 Jeffrey L. Weber, Hershey, Pa.  
 Stephen Jay Weiner, North Olmsted

Keith Edward Weirick, South Euclid  
 Larry Edward Weis, Columbus  
 Barbara Ann Weissman, Beachwood  
 Alan Stone Wernick, Columbus  
 Mark Robert Wexler,  
 Hackensack, N. J.  
 Joseph Robert Whitley,  
 Succasunna, N. J.  
 Michael Joseph Wilk, Parma  
 Terry Robert Williams, Cincinnati  
 James Douglas Witherspoon,  
 Newmarket, Ont., Canada  
 Frank Wojcik, Parma  
 Jack Baldwin Wolfe, Columbus  
 Donald Eugene Wood, Columbus  
 Nancy Joan Wood, Parma Heights  
 Donald Edward Wright, Lima  
 Helen Wu, Cheshire, Conn.  
 Kenneth Eugene Yonker, Newark  
 Holly Christine Young, Brilliant  
 Richard Eugene Young, Heath  
 Stephen Joseph Yurasek, Columbus  
 John Frank Ziegler, Brunswick  
 Arthur Emerson Zoller, Lima

## School of Social Work

### Bachelor of Science in Social Welfare

Thirty-two candidates

Maureen Jane Bonace, Mansfield  
 Georgene Marie Bourdeau, Painesville  
 Kurt Edward Carmen, Lorain  
 Louise Agnes Clarke,  
 Wilmington, Del.  
 Claudia Jean Coatney, Dayton  
 Douglas Mark Davis,  
 East Rockaway, N. Y.  
 Thomas Ray Deringer, St. Louisville  
 Susan Beth Drittel, Westfield, N. J.  
 Carole Anne Ferell, Cleveland  
 Walter Franklin Fluellen, Jr.,  
 Columbus  
 Samuel Ellsworth Frowine, III,  
 Portsmouth  
 David Robert Gallagher, Lima  
 Karen Frances Goldstein,  
 Cleveland Heights  
 Patricia Ann Gow, Dover  
 Glen Douglas Hudson, Columbus  
 Linda Christine Hull, Newark  
 Christie White Kaufman, Akron  
 Joan Marie Koesterer, Stow  
 Frances Pace Lohrman, Lincoln, Neb.  
 Beth Ann Manring, Galion  
 Susanne Aikman McGough, Hilliard

## College of Agriculture and Home Economics

Dean: Roy M. Kottman

Mathew Joe Musgrave, Arlington  
Marlena Kay Richards, Middletown  
Christy Lynn Sand, New Philadelphia  
Deborah Joy Shubouf, Columbus  
Larry Frederick Steiger, Bucyrus  
Sandra Schrier Stephenson, Bucyrus  
Joanne Stern, Pittsburgh, Pa.  
Karen Louise Stewart, Pittsburgh, Pa.  
Sharon Andrea Stovsky, South Euclid  
Linda Lee Urban, Painesville  
Joann Ratza Werner, Columbus

### Bachelor of Science in Agriculture

Two hundred and fifty-six candidates

Mark Drew Allen, Hamilton  
Joseph Eric Allomong, Edon  
William Scott Anderson, Newark  
Ronald Francis Baker, Sylvania  
Cheryl Diane Bang, Cincinnati  
David Milton Batteiger, Columbus  
Janet Claire Bauer, Evans City, Pa.  
Raymond Henry Beck, Pemberville  
Jerry Dean Belcher, Marengo  
Robert Hammill Bendé, Medford, N. J.  
Robert Edward Bender, Prospect  
Bruce Orval Benedict, Springfield  
David Allen Beren, Cincinnati  
Lucinda Berry, Milford  
David William Bertram, Freeport  
Mark Wayne Blaser, Cuyahoga Falls  
Richard Marshall Boggs,  
Washington C. H.  
Charles Phillip Boone, Fredericktown  
David Richard Bordner, Massillon  
Carl Norman Bostick, Dayton  
Bruce Richard Boucher, Bryan  
Blair Alan Bower, Millersburg  
Ray Don Brake, Milford Center  
\*Donald Daniel Branson, II, Loveland  
Charles Franklin Bredt, Rocky River  
Gary Allen Brehm, Swanton  
Timothy Jason Bricker, Defiance  
Peter Ross Brody, South Euclid  
Richard Lee Brooks, Columbus  
Charles Douglas Brown, Oak Hill  
Thomas Fredrick Brown, Morral  
Wayne Elliott Brown, Jr., Groveport  
Joanne Buehner, Wickliffe  
Keith Alan Buehrer, Fayette  
Dennis Eugene Burns, Marysville  
Samuel David Bury, North Royalton  
Michael Lawrence Caldwell, Columbus  
Robert Eugene Caughron, II, Akron  
Wilbur David Chesser, Columbus  
Dennis Lee Clark, DeGraff  
David Linton Claypool, Lexington  
Adrienne Roxanne Cole, Medina  
James LeRoy Cole, Sidney  
Carol Diane Collins, Van Wert  
Linda Kenkus Collins, Cleveland  
Robert Thomas Colson, Barnesville  
John Jeffrey Conrad, Leontonia  
Clifford Alan Cronkleton,  
West Mansfield  
Richard Patterson Crump, Piqua  
Philip Louis Cunningham, Flushing  
Ronald David Daniels, Fredericktown  
Barrey Danvers, McMurray, Pa.  
Jeffrey Eugene Davis, Columbus

Michael E. Davis, Huntsville  
Peter George DeFazio, Jr., Cincinnati  
Thomas E. Denger, Xenia  
Dallas Lamar Dick, Montpelier  
Stevan Wayne Dittmer, Cincinnati  
John Hall Donaldson, New London  
Bruce William Downes, Magnolia  
Thomas Daryl Dugan, McConnelsville  
Donald Craig Durstewitz,  
Waldwick, N. J.  
Cathy Earman, Eaton  
Gregory Marshall Elwood, Ada  
Michael Eugene Engelhaupt, Quincy  
Michael Edward Epp, Reynoldsburg  
Jenny Marie Evans, Lafayette  
William Richard Faber, Lancaster  
Walter Scott Fargo, Ashtabula  
Malcolm Lee Finney, Marshallville  
Jay Vernon Fledderjohann, St. Marys  
Mark Alan Forni, Clarington  
Gary Michael Frey, Carrollton  
Robert Eugene Frey, Ashland  
John Robert Frost, Bloomingburg  
Denise Marian Fuciu, North Canton  
Ted Alan Gerber, Dalton  
Richard Lee Gibbs, Columbus  
Edward Anthony Giera,  
Stanley, N. Y.  
Ronald Bice Gillette, Waynesfield  
Dail William Gracy, New Carlisle  
Michael Allen Green, London  
Karen Lynn Griffith, Pomeroy  
James Worley Grim, Mt. Sterling  
Warren Henry Gross, Mansfield  
Scott Randall Harden, Logan  
Cristin Beveer Harding, Ashland  
Robert Earl Harris, Wakeman  
John Shock Hellwarth, Celina  
David Allen Hendricks, Wintersville  
Lamar Hendricks, Columbus  
James Albert Hendrix, Glendale  
James Robert Henline, Gibsonburg  
Jeffrey Alan Hewitt, Columbus  
Benedict Lewis Heydinger,  
New Washington  
David Evan Hilligoss, Columbus  
Gary Lee Hollenbacher, Sidney  
Terrence Lee Holman,  
West Alexandria  
Claire Earl Howman, North Lawrence  
Larry Philip Huber, Milford Center  
John Peter Hudak, Jr., Cleveland  
Thomas Vincent Huitger, Cincinnati  
Douglas Edward Johnson, Cadiz  
Donald Richard Kapper, Dalton  
David Frederick Kapus, Canfield  
James William Karr, Coshocton

\* Also Master of Science, Graduate School

Ricky Lee Keehner, West Chester  
 Philip Starn Keller, Norton  
 Harold Manley Kemp, Belmont  
 Patrick Joseph Keyes, Centerville  
 Cynthia Lee Kidd, Scio  
 Thomas John Klimkewicz,  
 Garfield Heights  
 Ronald Erwin Koestel, Westlake  
 Marcia Kay Kohring, Bloomingdale  
 Kathleen Helen Kosman,  
 North Royalton  
 Sharon Kay Krofft, Mt. Perry  
 Dennis Walter Kromer, Dayton  
 Philip Alan Kuhn, Elyria  
 Robert Dean Laughhunn, Dayton  
 John Phillip Lawyer, Mt. Gilead  
 James Elwood Leathley, New Carlisle  
 James Louis Leeco, Maple Heights  
 Neil Charles Lehnhart, Lucas  
 Gary Leroy Leibee, McDonald  
 \*Randall Alan Leis, Farmersville  
 James F. Link, Rossburg  
 John Noel Luechauer, Cincinnati  
 Carson Ewing Lugibihl,  
 Mt. Blanchard  
 Dwight Earl Lynn, Dresden  
 James Dwight Machwart, Coshocton  
 Paula Joan Mack, Parma  
 Brian Nelson Mansfield, Athens  
 Steven Lee Marker, Pleasant Hill  
 Michael Adam Martello, Wintersville  
 Michael D. Masny, North Ridgeville  
 Charles Allen Mautz, Marion  
 Thomas Michael McBride, Dresden  
 Mark Allen McCabe, Greenville  
 Roger Lloyd McCampbell, Camden  
 Daniel Lee McClain, Sycamore  
 Wendy Rae McCombs, Orrville  
 Richard Louis McKinnon, Carey  
 Jerry Gruber McMahan, Marion  
 Timothy Mendiola, Akron  
 Richard Manson Merrick,  
 East Rochester  
 Ralph Meeker Metzger, III,  
 Chillicothe  
 Gary Donald Miller, Edon  
 Paul Orville Miller, Lindsey  
 Terry Lee Miller, Convoy  
 James Donald Mohrman, Woodville  
 Michael Lee Montgomery, Brookville  
 Jeffrey Dunbar Morgan,  
 North Canton  
 Herbert Warren Morris, Xenia  
 Stanton Edward Moyer, Bellevue  
 William Lee Murray, Old Fort  
 Michael Martin Nolan, Wakeman  
 George Italo Notary, Struthers  
 Warren Frederick Outhwaite, Jr.,  
 Bucyrus

Dean Edward Palm, Wilmington  
 Jeffrey Renick Palm, Circleville  
 Steven Robert Palsgrove, Groveport  
 Gary Richard Parker, McCutchenville  
 Hettie Jo Parrish, Caldwell  
 J. Edward Parrish, Hebron  
 Jane Ann Pekarek, Cleveland  
 Stephen Anthony Perraut,  
 Hamersville  
 Beth Jane Peters, Lancaster  
 Jeannette Cohn Petten, Columbus  
 Franklin Jay Phelps, Belle Center  
 John Robert Phillips, London  
 David Emerson Plummer, Groveport  
 Daniel Krieg Pontious, Lancaster  
 Ricky Neal Pontius, Ashville  
 David Anthony Probst, Loveland  
 James Patterson Proctor, Kettering  
 Janalyn Prows, Middletown  
 Henry Clifford Puch, Rayland  
 William Edward Puchstein,  
 Columbus  
 Thomas Scott Raab, Lancaster  
 Walter Paul Ramseyer, Millersburg  
 Kevin Joseph Rapp, Dayton  
 Dan Dudley Reed, Hillsboro  
 Phillip Crabill Rhonemus, West Union  
 Dale Eugene Ricker, Fort Jennings  
 Gary Dean Robinson, Wintersville  
 Jean Ann Rohrer, Wadsworth  
 Christopher Lee Rose, Forest  
 Jan Lee Roston, Mansfield  
 Alan Jay Rummell, Carrollton  
 Donald Jerry Rupp, Wauseon  
 Robert Allen Sage, Chardon  
 Dennis Craig Sargent, Bradford  
 Ray Harold Saviers, Tallmadge  
 James Ronald Saylor, Belle Center  
 John Raymond Schmelzer, Columbus  
 Marc Leonard Schmidt, Cincinnati  
 Ralph Richard Schmidt, Mason  
 Roger Wayne Schrader, Logan  
 Barbara Lynn Schroeder, Toledo  
 Elroy Adolph Schroeder, Jr., Caldwell  
 Dale Edward Schurfried, Hamilton  
 Walter Joseph Seifried,  
 Washington C. H.  
 Richard John Serva, Mogadore  
 Kenneth Allen Shafer, Findlay  
 Susan Jayne Sheehan, Lebanon  
 Gary Owen Shepcaro,  
 Port Washington, N. Y.  
 Mark Christian Shieldcastle,  
 Springfield  
 John D. Short, Stryker  
 Kent Eugene Short, West Unity  
 Mark Steven Siegel, Cincinnati  
 Norman Randolph Simpson, Berea  
 David Lloyd Smith, Marion

Myron Jeffrey Smith, Frazeysburg  
 Richard Lee Smith, Cadiz  
 Rodney Eugene Smith, St. Paris  
 John Ronald Smurda, Allentown, Pa.  
 Kenneth August Sommer, Minster  
 Paul Blaise Stashwick, Lafayette  
 William Christopher Stearn,  
 Flushing, N. Y.  
 B.S. (Western Kentucky State  
 College)  
 Keith Lawrence Stein, Bethel, Pa.  
 Douglas William Stone, Cincinnati  
 Michael Richard Stout, Grove City  
 Nancy Jo Stranahan, Wloughby  
 Clifford Gene Strine, Caledonia  
 James Edward Sullivan, Avon  
 Dennis Elmer Supe, West Chester  
 Jonathan Peele Terrell, New Vienna  
 Jeffrey William Tinkl,  
 Columbia Station  
 Anthony Mark Torsell, Springfield  
 Elaine Kay Toth, Avon  
 Max Lee Trachsel, Dunkirk  
 Dennis Frank Uhlir, Findlay  
 Larry Joseph Ulrey, Cardington  
 Steven Elmer Vance, Mt. Sterling  
 Karen Louise Vesel, Mentor  
 Herman Lawrence Wagner, Greenville  
 Gordon Hayes Wallace, Bloomingdale  
 Mark Edgar Wallace, Hopedale  
 William Irvin Warner, Vickery  
 William Krigbaum Watkins, Jr.,  
 Belmont  
 Terry Ray Weiker, Republic  
 Deborah VanBrunt Wells,  
 Setauket, N. Y.  
 Richard Ray Wells, Zanesville  
 Marvin Leo Wente, New Bremen  
 Henry Werner, Chagrin Falls  
 Patrick Michael Wesley, Pataskala  
 Alice Marie Whistler, Dayton  
 Lynn Richard Whittlesey, Atwater  
 Gerald Ray Willet, Plymouth  
 Joseph Steven Williams, Van Wert  
 Elliott Wolf, Canfield  
 Michael William Wolpert, Amlin  
 Jon Thomas Wray, Byesville  
 Michael Earl Young, Leesburg  
 Ronald Craig Young, Van Wert  
 Steven Marc Zimmerman, Norwalk

#### Bachelor of Science in Dairy Technology

One candidate

John Patrick Misock, Mogadore

\* Also Master of Science, Graduate School

**Bachelor of Science in Food Technology**

Four candidates

Glenn Michael Barnhart, Dayton  
 Robert Kurt Buckman, Troy  
 Michelle Howell, Columbus  
 Dennis Wray Wine, Prospect

**Bachelor of Science in Nutrition**

Four candidates

Richard Alan Black, Worthington  
 Ronald E. Gutter, University Heights  
 Mark Douglas Hillard, Bloomdale  
 Carol Jean McGee, Mansfield

**School of Home Economics****Bachelor of Science in Home Economics**

One hundred and seventy-four

Sally Kathleen Abram,  
 New Lexington  
 Elizabeth Guy Adams, Milford Center  
 Barbara Ann Agle, South Vienna  
 Deborah Allen Ahern, Newark  
 Linda Kay Albertson, Columbus  
 Barbara Porter Alpers, Dayton  
 Nancy Jane Anderson, Newark  
 Beverly Kay Bacon, New Springfield  
 Marjorie Katherine Bader, Troy  
 Stephen Daniel Bailey, Van Wert  
 Roberta Lynne Barnes, Columbus  
 Toni Elaine Betchik, Parma  
 Janet Lippencott Boggs, Irwin  
 Bonita Martha Boz, Columbus  
 Dixie Lynn Brown, Columbus  
 Jana Lynn Brown, Columbus  
 Joyce Elizabeth Bull, Xenia  
 Hazel Thiery Burnett, Galena  
 Karen Ann Bushong, Kenton  
 Cathy Christine Carr, Lima  
 Candis Ann Cartwright,  
 Cleveland Heights  
 Cheryl Barczak Chojnacki, Columbus  
 Janet Price Christopher, Columbus  
 Karen Ann Clark, Escanaba, Mich.  
 Joann DeRubertis Cline, Columbus

Deborah Christine Cochran,  
 Mt. Vernon  
 Carleen Gaylen Combs, New Richmond  
 Judith May Converse, Leetonia  
 Treva Nadene Cover, Nevada  
 Jane Ann Cressor, Columbus  
 Karen Ann Criswell, Columbus  
 Pamela Lynn Croker, Worthington  
 Gail Switzer Curtis, South Euclid  
 Denise Elaine Darling, Ferrysville  
 Nancy Helmlinger Dill, Sidney  
 Martha Ellen Druga, Farmdale  
 Lynn Ululani Duncan,  
 Honolulu, Hawaii  
 Sharon Kathleen Dwyer,  
 North Canton  
 Cynthia Anne Edger, Grove City  
 Susan Lynn Eidier,  
 Searingtown, N. Y.  
 Carolyn Sue Elleman, Eaton  
 Mona Kaye Elsass, Sidney  
 Barbara Ann Engel, Kettering  
 Katherine Elaine Ernzer,  
 Carnegie, Pa.  
 Kay Lynn Eshenfelder, Columbus  
 Lynn Sappie Esselstein, Alliance  
 Jill Ann Eversole, Baltimore  
 Estelle Hunter Fark, Marion  
 Pamela Dean Farnsley, Dayton  
 Debra Lee Fauley, Crooksville  
 Leora Scherrell Fish,  
 Columbia Station  
 Barbara Jane Foster, Springfield  
 Deborah Kay Foster, Pickerington  
 Jill Ann Fredericks, Grove City  
 Rhoda Elaine Gaffin, Trotwood  
 Rebecca Sue Garrison, Clarksburg  
 Martha Sue Gaumer, Columbus  
 Katherine Louise Gehring, Columbus  
 Marla Golofsky, Rock Island, Ill.  
 Deborah Jean Good, Logan  
 Deborah Ann Gottschalk, Port Clinton  
 Karyn Elaine Gregory, Cincinnati  
 Margaret JoEllen Grimes, Kenton  
 Rose Schaffner Habrun, Fayette  
 Wudnesh Hailu,  
 Addis Ababa, Ethiopia  
 Alice Ann Hale, Springfield  
 Barbara Lee Hancock, Trotwood  
 Christine Denise Hardy, North Canton  
 Michelle Lynn Harrison, Cincinnati  
 Jane Pundermark Hart, Conneaut  
 Rita Sue Hart, Mt. Gilead  
 Elizabeth Slater Henry, Columbus  
 Carole Ellen Hermon, Lima  
 Joanne Margaret Hesselting, Delphos  
 Susan Robison Hicks, Columbus  
 Janet Delaine Hill, Dayton  
 Maxine Ruth Hiltbrand, Salem

Carol Eleanor Hoffman, Boardman  
 Barbara Ann Holt, Cleveland  
 Sarah Hulbert, McArthur  
 Anne Christine Hummell, Brice  
 Marilyn Sue Isler, Prospect  
 Pamela Kay Jackson, Atwater  
 Rebecca Lee Jackson, Carroll  
 Laura Faye Janis, Shaker Heights  
 Jacqueline Lee Jones, Mansfield  
 Janet Helen Jones, Cincinnati  
 Cheryl Lynn Kato, Lyndhurst  
 Joy Ellen Keller, Eaton  
 Deborah Ann Kilbarger, Baltimore  
 Kathryn Louise Knight, Englewood  
 Patricia Ann Koralewski, Toledo  
 Cynthia Christine Kuhse,  
 Mt. Prospect, Ill.  
 Lillian Tanenbaum Kurucz, Columbus  
 Gloria Jean Kushner, Rocky River  
 Lynette Sue Lacy, Enon  
 Marcia Murray Lawyer, Mt. Gilead  
 Wanda LaNette Layne, Columbus  
 Cathy Susan Lee, Suffern, N. Y.  
 Deborah Joyce Leggett, Columbus  
 Nancy Ellen Lemmel, Shiloh  
 Diana Jean Lett, Millersport  
 Susan Jeanne Lohn, Westlake  
 Joan Ruth Mackenbach, Celina  
 Leslie Fern Margolis, Pepper Pike  
 Cheryl Mae McConnell, Oberlin  
 Janet Galloway McCormick, Dublin  
 Cert. Grad. Dent. Hyg.  
 Elizabeth Ann McCullough,  
 Ames, Ia.  
 Wendy Jean McGee, Warren  
 Mary Marguerite McGlew, Marion  
 Rachel Kathleen McKee, Gambier  
 Carol Ann McKibben, Westlake  
 Nancy Jean McNeal, Columbus  
 Patricia Jo Meyer, Manchester  
 Mary Katherine Miller, Columbus  
 Jana Lynn Mokry, Lebanon  
 Catherine Susan Montell, Columbus  
 Janet Marie Neargarder, St. Marys  
 Jean Lonette Newton, New Lexington  
 Constance Evelyn Nicholas,  
 Babylon, N. Y.  
 Mary Janet Oswald, Cincinnati  
 Leslie Glick Parsons, Cincinnati  
 Susanne Smith Pasqualine, Sandusky  
 Susan Leslie Pluto, Toledo  
 Deborah Eileen Poling, Dunkirk  
 Karen Melissa Price,  
 East Lansing, Mich.  
 Sara Elizabeth Rank, Zaneville  
 Kathleen Ellen Rochford, Akron  
 Diane Beverly Roth, Hannibal  
 Judy Ann Rowland, Wellington  
 Rita Ann Rowland, Bellevue

Anne Elizabeth Rusnak, Parma  
 Suzanne Margaret Rybak, Columbus  
 Mark Anthony Salter, Elyria  
 Toni Marie Salvaterra, Columbus  
 Karen Louise Scholl, Franklin  
 Carolyn Marie Scott, Lakewood  
 Eileen Scott, Columbus  
 Nancy Ellen Shaffer, Columbus  
 Karen Ripley Shields, Tippecanoe  
 Karen Ann Siefert, Columbus  
 Beverly Jefferson Sieling, Columbus  
 Martha Hyme Skeeles, Lancaster  
 Susan Elaine Smith, Columbus  
 Catherine Joan Sommers, Urbana  
 Jean Sue Spindler, Hilliard  
 Gwendolyn Stanczyk, Cleveland  
 Glenna Louise Starr, Columbus  
 Beverly Jean Stoltz, Wauseon  
 Janice Kate Stowell, Portsmouth  
 Michelle Diane Strayer, Waterville  
 Marilyn Louise Streng, Columbus  
 Diane Lurvey Synko, Columbus  
 Jacqueline Lee Thompson, Sardis  
 Janice Faye Thordsen, Cedarville  
 Linda Carol Uchitel, Mayfield Heights  
 Gayle Lorraine Vargo, Cleveland  
 Beth Ann Varian, East Canton  
 Janet Lynn Vyrostek, West Richfield  
 Patricia Lynne Wagner, Steubenville  
 Martha Jane Wahl, Castalia  
 Dawna Jo Walker, Thurman  
 Barbara Jean Walz, Columbus  
 Betsy M. Wasserstrom, Columbus  
 Gloria Ann Watkins, Akron  
 Joyce Ann Watts, Killbuck  
 Kathy Ann Waugh, Columbus  
 Marie Therese Welch, Worthington  
 Rebecca Ellen Wenger, Delaware  
 Christina Kay Wilburn, Portsmouth  
 Jan Windsheimer, Bridgeport  
 Laurie Lynn Wolanski, Solon  
 Catherine Heinrich Wood, Lafayette  
 Elizabeth Ann Yowler, South Vienna

**Bachelor of Science in  
 Restaurant Management**

Eight candidates

Gary Warren Darling, Chardon  
 Bruce Martin Eyler, Bay Village  
 A. B. (Ohio University)  
 Holly Elizabeth Gifford, Zanesville  
 Robert Jay Iafelice, Wadsworth  
 Alan Richard Jaffe, Shaker Heights  
 David Joseph Louy, Toledo  
 Jeffrey Thomas Rowand, Lima  
 Laura Shockley Rowand, Bryan

**School of Natural Resources**

**Bachelor of Science  
 in Natural Resources**

Eighty-two candidates

Scott Allen Allison, Millersburg  
 David Craft Bailey, Vandalia  
 Denton Ober Baumbarger, Delaware  
 Lyle Edward Beal, Bucyrus  
 David Christian Bohl, Wooster  
 Nelson Ray Bostic, Jr., Gallipolis  
 Stacy Allan Brehm, Columbus  
 Robert Allen Brown, Jr., Columbus  
 Karl Douglas Burch, Columbus  
 Peter Henry Butchko, Lakeside  
 Connie Lynn Chambers, Columbus  
 James Harley Chisman, II,  
 Westerville  
 Sheila Jo Clark, Lima  
 Randall D. Collins, Chillicothe  
 Michael Steven Cornett, Middletown  
 James Alan Cox, Grove City  
 Michael Forest Davault, Orrville  
 Taylor Amos Davis, Jr., Otway  
 Thomas Lynn Davis, Kingston  
 Richard Pearson DeNise, Jr., Solon  
 Robert Clark Dowler, Columbus  
 John Michael Egan, Red Bank, N. J.  
 Susan Elaine Evans, Amsterdam  
 Timothy Logan Evans, Lyndhurst  
 Rodney Lee Gebby, Marion  
 James Henry Given, Jr., Westlake  
 Keith Eric Golden, Cranston, R. I.  
 Robert David Golias, Garfield Heights  
 Bernard Thomas Hamilton,  
 Springfield  
 Thomas Jay Harrod, Akron  
 Terrence Alan Householder, Celina  
 Douglas Linn Johnson, Springfield  
 Anthony Kenneth Kokal, Euclid  
 Martha Mary Kollstedt, Cincinnati  
 William Earl Lehman, Fostoria  
 David Earl Lieser, Dover  
 Lawrence Raymond Lisy,  
 Broadview Heights  
 Dale Francis Marande, Columbus  
 John Hugh Marshall,  
 Jacksonville, Fla.  
 William Alfred May, Columbus  
 George William McFadden, Scio  
 Thomas Alan Messerall, Madison  
 Frank Richard Miller, Columbus  
 Gerard Lee Miller, Lima  
 Michael Gregory Mocniak, Toledo  
 John Edwin Monce, Jr., Tipp City

Philip Charles Morlock, Euclid  
 Thomas Lee Nolan, Ridgeville  
 Steven Edward O'Hearn, Dayton  
 Lesley Arthur Paciorek, Columbus  
 Daniel Edward Packa, Canton  
 William Pryor Papworth, Bay Village  
 Michael Joe Pittman, Fairborn  
 Thomas Quick, Dayton  
 Douglas Alan Ralph, Cincinnati  
 Russell Alan Rebertus, Columbus  
 Dana Joe Reed, Columbus  
 Michael Lewis Reeves, Loveland  
 Daniel Thomas Riestenberg,  
 Cincinnati  
 Thomas Edward Robertson, Columbus  
 Alan Roger Ruffell, Findlay  
 Richard Joseph Sanders,  
 Richmond Heights  
 Karen Ruth Schaeffer, Bellevue  
 Daniel Thomas Schneider,  
 Worthington  
 Dennis Clifford Selm, Cincinnati  
 Robert Stephen Seymour, Columbus  
 Richard Leroy Shank, Columbus  
 Jack David Shrimplin, Jr., Medina  
 David Paul Smith, Cincinnati  
 John Charles Souhrada,  
 Maple Heights  
 Judith Marie Staiger, Worthington  
 David Fredrick Stites, Delphos  
 Andrew P. Todd, Columbus  
 Marsha Kay VanSoy, Columbus  
 Jane Catherine Warner, Worthington  
 James Alan Watts, Columbus  
 Jack Douglas Webb, Portsmouth  
 Thomas Reese Williams, Berea  
 Dennis Eric Witsberger, Delaware  
 Barbara Ann Wooldridge, Lancaster  
 Jerry Lynn Wooten, Minford  
 Stephen Allan Youngen, Kettering

**Agricultural Technical  
 Institute—Wooster**

**Associate of Applied Science Degree**

One hundred and six candidates

Rickey Ray Allred, Tipp City  
 Paulette Marie Aukeman,  
 South Vienna  
 Steve Earl Ayers, Perrysville  
 Neal Wayne Baker, Wooster  
 Donald Edwin Ballard, Norton  
 James Frederick Beck, Pemberville  
 Roger Alan Bollinger, St. Paris

## College of Dentistry

Dean: John R. Wilson

Cynthia Louise Bradnan,  
Columbia Station  
Walter Gerald Braun, Massillon  
Gregory Lee Brenneman, Wooster  
William Lee Burgess, Dorset  
Robin Therese Bycznski,  
Columbia Station  
Lowell Edward Crilow, Millersburg  
Michael Robert Davis, Columbus, N. J.  
Timothy John Davis, Salem  
Julie Anne Detray, Napoleon  
Gerry David DeYoung, Ravenna  
Leroy Alexander Duncan, Big Prairie  
David William Dustman, Brooklyn  
John Yarnell Elliott, Wooster  
David Gordon Evans, Strongsville  
David Raymond Fahrni, Apple Creek  
John Charles Fair, Jeromesville  
Paul Randall Faisley, Clarington  
William Lee Ferguson, Grove City  
Michael Arden Frank, North Canton  
Richard Herman Gabel, Munroe Falls  
Mark Alan Gamber, Pemberville  
Sidney Wayne Geist, New London  
Thomas Ralph Gerhardt, Grafton  
Robert Brian Gibbs, Bay Village  
Gary Lee Glenn, Ashland  
Curtis Wayne Gottfried,  
Upper Sandusky  
Ronald Lee Grant, Cortland  
William Henry Hahn, Alliance  
Dewey Franklin Hall, Lodi  
Desiree Ann Harder, Amlin  
Gayle Terese Hazer, Cleveland  
Gary Kready Henriksen,  
Fairview Park  
Anthony Joseph Heppe, Atwater  
Timothy Robert Hinman, Akron  
Scott Paul Hoffman, Wooster  
Jerome Lee Hord, Marion  
Allen John Inwalle, St. Marys  
Chris Robert Jagciwski, Cleveland  
Mark Stephen Jalkanen, Westlake  
Stephen Morris Jaycox, Harrisburg  
Michael Louis Karl, Tiro  
Maureen Therese Kelley,  
Rocky River  
Daniel Thomas Kellogg, Rome  
Edward John Klatka, Strongsville  
David Lee Klingensmith, Leavittsburg  
Stephen John Kloos, Wooster  
Thomas Andrew Krupa, Chardon  
Robert Douglas Kuk, Brecksville  
Gary Harold Landis, Nova  
John Frederick Little, Frazesburg  
Gary Wayne Loomis, Medina  
Colleen Marie Madden, Columbus  
William James Maurer, Canton  
James David McCullough, Hebron

Malcolm Edmund McGuire, Windham  
Donald Lee Minton, Lordstown  
Stephen Eugene Mock, Chandlersville  
Robert Lawrence Mole,  
Columbia Station  
Paul Allen Moore, Burbank  
Bradford Stone Murray, Lucas  
Timothy Alan Oehrtman, St. Marys  
Christine Marie Parsons, Bellville  
Rosemary Cecelia Paulin, Kirtland  
Glen Allen Pottenger, Tipp City  
Thomas Joseph Riccardi, Akron  
Richard Alan Rigg, Bryan  
Mary Ann Rittman, Munroe Falls  
Danny K. Reshon, Sunbury  
Raymond James Saffles, Sterling  
Rodrick Todd Schamaun, Ashland  
Robert Mark Schmelzer, Medina  
James Wilson Schwinn, Lakewood  
Henry John Silk, Valley City  
Robert Lewis Smithers, Jr., Akron  
Max Edgar Snode, Mechanicstown  
David Charles Snyder, Wooster  
Michael Lee Snyder, Loudonville  
Paul Allen Snyder, Baltic  
Matthew Jay Steiner, Rittman  
Don Harvey Stryffeler, Salem  
Larry Vaughn Sutherland,  
New London  
Mark Eugene Turney, Nevada  
Anton Erwin Urschitz, Bellville  
Mark Alan Walbolt, Perrysburg  
Terence Michael Walker,  
Parma Heights  
Bradley Allan Wallace, Wooster  
Mitchell Neal Welch, Nevada  
John Douglas Wheeler, Aurora  
Mark Edward Widder, Sugarcreek  
Lois Ann Wildey, New Richmond  
Caleb Williams, Wellsboro, Pa.  
Edward Everett Wolfe, II, Bremen  
Richard Harvey Woods, Akron  
David Allen Wright, Scio  
Thomas Lee Wright, Clyde  
Charles Edward Yost, Racine  
Sandy Leach Young, Columbus  
Ronald Zagar, Highland Heights  
Roger Allen Zumfelde, Wauseon

### Doctor of Dental Surgery

Six candidates

Richard C. Davis, Jr., Columbus  
B.S. (Ohio University)  
Richard William Kost, Mt. Vernon  
B.S.

William Joseph McGarry, Jr.,  
Cleveland  
B.S. (Bowling Green State  
University)

Stephen Michael Musick, Warren

William Douglas Sarchet, Athens  
B.S. (Ohio University)

Steven Allen Siminiak, Toledo  
B.S. (University of Toledo)

### Certificate of Graduate Dental Hygienist

Eighty-two candidates

Janet Rose Acerra, Girard  
†Linda Marie Andrasic, Mansfield  
Deborah Elizabeth Aszling, Kettering  
Susan Michelle Black, Columbus  
Lois Jean Bollenbacher, Rockford  
Patricia Lou Briggs, Columbus  
Pamela Sue Brooks, Tiffin  
Shirley Becker Buren, Columbus  
\*Lillian Liska Burke, Columbus  
Susan Lee Caldwell, Columbus  
Susan Carol Cassell, Vandalia  
Leslie Gail Caulkins, Columbus  
Carol Anne Corrington, Bay Village  
†Margaret Jenness Cotter,  
Traverse City, Mich.  
Janis Scott Crandell, Toledo  
Gayle Schmidt Crawford, Columbus  
Mary Jo DeFrank, North Olmsted  
Rebecca Kathleen Dinsmore,  
Tipp City  
Karen Lee Dulinski, Toledo  
Jane Ann Fischer, Alliance  
Geri Renee Fishman, Cincinnati  
Karen Louise Fordyce, Elmhurst, Ill.  
Susan Elizabeth Fox, Sylvania  
Deborah Crow Gilkey, Pomeroy  
†Jamie Glueck, Shaker Heights  
Brenda Sue Godwin, Louisville  
†Nancy Gassen Guzzo, Reynoldsburg  
Deborah Kaye Haacke, Dayton  
Theresa Arlene Handley, Mentor  
†Gail Elizabeth Hatcher, Columbus  
†Anne Susan Heubach Newark

†Also Bachelor of Arts, Colleges of the Arts  
and Sciences  
\*Also Bachelor of Science in Education,  
College of Education

## College of Education

Dean: Donald P. Anderson

Jan Elise Hexamer, Canton  
 B.A. (Northwestern University)  
 Martha Lynne Hill, Worthington  
 Susan Jane Hughes, Columbus  
 Heidi Ann Hunt, North Royalton  
 †Gilia Lucia Iafolla, Columbus  
 Patricia Kay Jakim, Lima  
 Dianne Case Jensen, Columbus  
 Susan Farmer Johnson, Columbus  
 Sue Wolfe Kirsch, Columbus  
 †Deborah Anne Kuhman, Toledo  
 Nancy Jo Kuhn, Kettering  
 Catherine Ellen Kuster,  
 Davison, Mich.  
 †Janice Jean Large, Newark  
 Doris Ann Lee, Woodsfield  
 Gloria Jean Leonardelli, Kettering  
 B.S.Ed. (Miami University)  
 Anne Marie Linesch, Dayton  
 Kimberly Ann Lueders, Cincinnati  
 Sylvia Malemacher,  
 University Heights  
 Connie Sue Malone, Grove City  
 †Penny Lou McElwee, Delaware  
 Maureen Joan McNamara, Toledo  
 Ann Faris McWilliam, Toledo  
 Nancy Meckstroth, Columbus  
 Claudia Layne Mehl, Neffs  
 Patricia Allene Mitchell, Orangeville  
 Martha Joos Moore, Columbus  
 †Marianne Parker, Pittsburgh, Pa.  
 †Joanne Margaret Peer, Dayton  
 Pamela Peters, Alliance  
 †Barbara Ann Phelps, Mentor  
 Elaine Carol Poulos, Frankfort  
 Janet Kay Reger, Dayton  
 Nancy Leonora Rhinehart,  
 Steubenville  
 Sarah Hills Russell,  
 Grand Rapids, Mich.  
 A.B. (University of Michigan)  
 Christine Kay Saxton, Marion  
 Sandra Lynn Shaffer, Middletown  
 Hilary Ann Soller, Youngstown  
 †Sharon Ruth Stoner, Akron  
 Kay Johnson Thompson, Zanesville  
 Sharon Lou Todd, Columbus  
 Pamela Lou Trbovich, Canton  
 Patricia Ann Valigore, Solon  
 Susanne Marie Vandemark, Columbus  
 Beverly Ann VanSant, Dayton  
 Patti Dale Wachs, Cleveland  
 †Anne Knowlson Wade, Whitehouse  
 Judith Ann Wickliff, Columbus  
 Sue Ellen Wiseman, Defiance  
 Candace Sue Wood, Columbus  
 Colleen Ann Wulf, Alliance  
 Kathleen Mary Zimpfer, Troy

### Bachelor of Science in Education

Eight hundred and forty-four candidates

Marie Heinrich Abram, Columbus  
 Ilene Abramovitz, University Heights  
 Ruth Bachman Adams, Newark  
 Juanita Raenette Adamski, Conneaut  
 Charlie Moore Adderley, Columbus  
 Debra Lynn Adelstein, Shaker Heights  
 Beatrice Langhais Agner, Ottawa  
 Mare Douglas Ahmay, Prospect  
 Susan Lynn Aiello, Alliance  
 Jackline Kay Albert, Columbus  
 Elja Smeets Alford, Willard  
 Joanne Alioto, Gahanna  
 Cheryl Lynn Allocco, Wickliffe  
 Robert Carl Amsbaugh, Mansfield  
 Charlene Marie Andres, Niles  
 Margaret Mason Arnold, Columbus  
 Deborah Kay Arps, Defiance  
 Karen Susan Artzt, Cincinnati  
 Beverly Kyle Ashworth, Columbus  
 Antoinette Mary Baccanti, Columbus  
 Deborah Pierson Badertscher, Lima  
 Susan Jane Bailey, Genoa  
 Cert. Grad. Dent. Hyg.  
 Lana Johnson Baker, North Madison  
 K. Machumu Bandle, Columbus  
 Karen Lee Barber, Chillicothe  
 Andrea Jeanne Barchard,  
 Emerson, N. J.  
 Brenda Lee Barkett, Youngstown  
 Cert. Grad. Dent. Hyg.  
 Deirdre Aljian Barnes, Columbus  
 Gale Allen Barnes, Whipple  
 Kathleen Ann Barnhart, Columbus  
 Elaine Ann Barr, Hilliard  
 Wahnta Joan Barr, Bedford  
 Gail Ann Barry, Fairview Park  
 Rex Alan Barton, Delaware  
 Donald Carl Basinger, Lima  
 William Frank Baxter,  
 Columbus Grove  
 Christine Elise Bazler, Columbus  
 Cert. Grad. Dent. Hyg.  
 Velma Shaw Beale, Newark  
 Jean Ann Bechtel, Lima  
 James Lee Beck, Louisville  
 Lynne Anne Beckett, St. Marys  
 Linda Gail Beekman, Columbus  
 Cert. Grad. Dent. Hyg.  
 Donna Stevens Bell, Ostrander  
 Gary Eugene Bennett,  
 Upper Sandusky  
 Suzanne Bennett, Poland  
 Kathleen Marie Benninger, Parma  
 Denise Ann Berger, Versailles  
 Marlene Edith Bergrin,  
 University Heights

Cynthia Renee Berkman,  
 Syracuse, N. Y.  
 Debra Lynn Berkson, Wilmette, Ill.  
 Martha Hager Berlin, Columbus  
 Carol Deborah Berman,  
 Woodmere, N. Y.  
 Joan Bernardino, North Canton  
 Judith Ann BERTenthal,  
 Pittsburgh, Pa.  
 Pamela Jane Beuter, Martins Ferry  
 Cert. Grad. Dent. Hyg.  
 Linda Marie Biasi, Columbus  
 Joanne Marie Bilsing, Galion  
 Richard Stephen Bindley, Marion  
 Richard Katherine Bishop, Lima  
 Marsha Kay Bishop, Dayton  
 Linda Duffield Bissel, Mansfield  
 Ella Barbara Bittkofer, Westlake  
 Maurice Daniel Blake, Columbus  
 John Howard Blank, Lima  
 Roberta Diane Bleimes, Gahanna  
 Doreen Lee Bloom, Youngstown  
 Marseena Harris Bobo, Landover, Md.  
 Michael Joseph Bokros, Gahanna  
 Judith Anne Bolen, Avon Lake  
 Charles Robert Bonica,  
 Waltham, Mass.  
 Janine Lilius Bourdo, Columbus  
 Darlene Dinwiddie Bovard, Columbus  
 Sylvia Chesla Bower, Columbus  
 Kathleen Joan Bowers, Hudson  
 Richard Allen Bowers, Worthington  
 Sue Lhamon Bowers, Lima  
 Susan Kay Bowman, Pataskala  
 Kim Allen Breeze, Fredericktown  
 Deborah Diane Breuer, Kettering  
 Elbridge Harmon Brewer, Columbus  
 Emily Ruth Brewer, Eaton  
 Deborah Ann Briede, Fairfield  
 Lonnie Earl Briggs, Westerville  
 Kevin Lee Bright, Lucas  
 Brenda Kaye Brill, Milford Center  
 Terry Jean Brodie,  
 New Rochelle, N. Y.  
 Charles David Brookover, Zanesville  
 John Emerson Brown, Mt. Sterling  
 Kathleen Ann Brown, Shadyside  
 Thomas Wayne Brown, Columbus  
 Kathleen Ann Brundrett, Troy  
 James Gregory Bryan, Columbus  
 Toli Sue Buchanan, Lancaster  
 Eileen Matilda Buchholz, Wooster  
 Christine Annette Bukac, Parma  
 April Osborn Burger, Columbus  
 Cert. Grad. Dent. Hyg.  
 ††Lillian Liska Burke, Defiance  
 † Also Bachelor of Arts. Colleges of the Arts  
 and Sciences  
 †† Also Certificate of Graduate Dental  
 Hygienist, College of Dentistry

Joyce Cooper Burns, Columbus  
 Patricia Joseph Burns, Columbus  
 Sharon Moloney Bush, Marion  
 Patricia Wienken Buzard, Lima  
 Christy Kay Byrne, Kent  
 George Michael Callahan,  
 Worthington  
 Thomas Edwards Carlisle, Columbus  
 B.S. (Ohio University)  
 Donna Lynn Carter, Brecksville  
 Kathleen Marquardt Cass, Mt Gilead  
 Steven William Chadwell,  
 Worthington  
 Catherine Mae Chapman, Smithfield  
 Cheryl Ulery Chapman, Delaware  
 Andrea Beth Charna, South Euclid  
 Constance Kay Christopher, Granville  
 Debra Kathleen Cindric,  
 North Canton  
 Carolyn Sue Clancy, Worthington  
 Janna Taylor Clark, Columbus  
 Cert. Grad. Dent. Hyg.  
 Cynthia Marie Clemmons, Columbus  
 Richard Allen Cocherl, Columbus  
 Cindy Ellen Cohen, West Orange, N. J.  
 Martin Lewis Cohen, Warren  
 Sue Gathergood Colahan, Columbus  
 Larry Dale Coldwell, Mt. Gilead  
 Janis Lynn Colston, Parma  
 Douglas Robert Colucci,  
 Mineola, N. Y.  
 Linda Kay Comstock, Marion  
 Sharon Ann Congrove, Columbus  
 Harold Richard Conkle, Columbus  
 Doris Ellen Connelly, St. Clairsville  
 James Louis Conrad, Columbus  
 B.A.  
 Patricia Ann Conrad, Loudonville  
 Karen Yvonne Cooper, Columbus  
 Michael James Cooper, Shelby  
 Polly MacGregor Cooper, London  
 Shelley Baker Cooper, Columbus  
 Mary Jane Cooperrider, Newark  
 Anita Susan Cornell, Delaware  
 Steven Edward Cosner, Columbus  
 Dennis Alan Coupe, Parma  
 Paul William Cowan, Columbus  
 Shanda Carol Craig, Cincinnati  
 Kay Annette Crapyou, Portsmouth  
 Judith Lee Crates, Lima  
 Richard Stamm Craumer, Waverly  
 Roberta Cramer Crawford, Marion  
 William Ellis Creswell, Mt. Gilead  
 Ruth May Crothers, Newark  
 David Andrew Crowe, Lima  
 Nancy Jo Croy, Kenton  
 Michael Henry Crumrine, Ashland  
 Janice Lynn Cummans, Lima

Michael Anthony Cunningham,  
 Ida, Mich.  
 Barbara Kay Dahmke, Columbus  
 Stephen Ray Dall, Butler  
 Carolyn Bennethum Dalrymple,  
 Marion  
 Suzanne Abell Dalton, Wakeman  
 Kathy Kemp Daum, Columbus  
 David Frederick Davis, Dayton  
 Marcia Ellen Davis, Hamilton  
 Martha Jane Davis, London  
 Melissa Myers Davis, Columbus  
 B.A. (Kent State University)  
 Stephen Charles Davis, Columbus  
 Barbara Gehm Deak, Columbus  
 Sara Guild Dean, New Richmond  
 Ramon Paul DeGennaro, Oberlin  
 Ermagene Ann Delewese, Columbus  
 Melinda Jane Denney, Columbus  
 Samuel Ray Dettra, Marion  
 B.A. (Eastern Nazarene College)  
 Kathleen Robson Devanney, Columbus  
 Daniel George Dick, Gambier  
 Judith Davis DiPietro, Columbus  
 Patricia Peters Dipner, Worthington  
 John Stephen Dix, Prospect  
 Diane Shields Dixon, Columbus  
 Debra Lynn Dlouhy, Brecksville  
 Danna Sims Dodd, Columbus  
 Douglas Lee Dodson, Columbus  
 Judith Dolgin, Toledo  
 John Robert Doll, Portsmouth  
 Kenneth Joseph Doseck, Botkins  
 Patrice Avit Dougan, Newark  
 Robert Kilroy Downey, Napoleon  
 Paulette Jenkins Downing, Lima  
 Emmett Larry Drane, Cincinnati  
 Deborah Jan Drasylo, Martins Ferry  
 Beth Marie Dublin, Worthington  
 James Cloy Duff, Youngstown  
 Myra Wright Dull, Columbus  
 Donald Ellory Dungee,  
 Port Jefferson, N. Y.  
 Karla Jean Durtschi, Columbus  
 Marilyn Lee Eakin, Cambridge  
 Dennis William Earl, Columbus  
 Cheryl Suzanne Edman, Galloway  
 Deborah Sue Edwards, Lima  
 Eloise Wright Egbert, Columbus  
 Charles Henry Eichinger, Columbus  
 Cheryl Lee Eisnaugle, Portsmouth  
 Robin Sue Ekus, Akron  
 Jerry Jo Eleyet, Columbus  
 Jane Lee Emerson, Johnstown  
 Patricia Ann Erlenbusch, Columbus  
 Margaret Lynne Evans, Kettering  
 Roy Andrew Evans, Canal Winchester  
 B.A.  
 Margaret Eileen Eyerma, Columbus

Gordon William Eyster, Bellville  
 Victoria Chesser Fagan, Bucyrus  
 Colleen Fant Fannin, Newark  
 Noe Enrique Marin Farfan, Columbus  
 B.A.  
 Susan Joyce Farmer, Elyria  
 Margaret Benedict Fawcett, Utica  
 Gregory Raymond Feast, Solon  
 George John Fedeczko, Columbus  
 Gilbert Francis Feist, Newark  
 Michael Justin Ferreebe, Columbus  
 Phyllis Rae Fetzler, Medina  
 Ruth Ann Bell Field, LaRue  
 Matia Pinn, Columbus  
 Margit Alice Fischer, Columbus  
 Dianne Gail Fisher, Columbus  
 Marsha Kay Fisher, Gratiot  
 William Arthur Fishinger, Jr.,  
 Columbus  
 Paula Barker Fisticck, Columbus  
 Denison Sue Flanner, Toledo  
 Diana Lynn Flannery, Dayton  
 Craig Paul Fletcher, Marion  
 Peggy Elaine Floeh, Columbus  
 Daniel Wayne Forbes, Ashland  
 Bruce Robert Forman,  
 Brick Town, N. J.  
 Lawrence Quinton Foster, Columbus  
 Jennifer Kim Fowler, Columbus  
 Barry Steven Fox, Columbus  
 Christine Marie Franklin, Parma  
 Cheryl Lynn Franks, Wickliffe  
 Patricia Muranko Frase, Columbus  
 B.S. (Ohio Dominican College)  
 Robert Ross Freeborn, North Canton  
 Marcy Lois Freed, Peoria, Ill.  
 Marilyn Anne Freese, Cincinnati  
 Lorraine Anne Frencho, Columbus  
 Jacqueline Rozelle Fritz, Delphos  
 Deborah Ann Fulmer, Warren  
 Emily Tucker Funston, Mansfield  
 Kathryn Lisbeth Fuss, Canton  
 Susan Marie Gabric, Norton  
 Jo Ellen Galliers, Toledo  
 Cert. Grad. Dent. Hyg.  
 Nora Katherine Gambrel, Newark  
 Karen Jane Garriott, Mansfield  
 Stephen Arthur Gehrig, Cincinnati  
 Steve Anthony Georgeff, Columbus  
 Sandra Sowers Gerber, Columbus  
 Irvin Joseph Gerling, Bradford  
 Anita Martha Gilbert, South Euclid  
 Patricia Eileen Gilbert, Columbus  
 Janis Lee Gillick, Cleveland  
 Diane Elaine Gillig, Columbus  
 Vivian Sue Givens, Louisville  
 Gene William Gloeckner, Westerville  
 Gretchen Ann Gockel, Chagrin Falls  
 James Anthony Goetz, Lima



Sarah Lynne Gompf, Livingston, N. J.  
 Cynthia Beth Goodman, Steubenville  
 Deborah Lynn Goodman, Marion  
 Deborah Marlene Goodman, Ashtabula  
 Janice Lynn Goodwin, Boardman  
 Linda Hackett Goodwin, Middleport  
 Richard Augustus Googins, Columbus  
 Michael Day Gordon, Columbus  
 Nancy Gordon, Succasunna, N. J.  
 Gail Susan Gotlieb, Dayton  
 Jane Solt Goumas, Newark  
 Randolph Charles Gradishar,  
 Columbus  
 Kathleen Milum Graham, Columbus  
 Pamela Jo Grandon, Bartlett  
 Elizabeth Ann Gray, Columbus  
 Pamela Lee Grear, Spencerville  
 James Alan Green, Bay Village  
 Connie Sue Greenberg, Cleveland  
 David Albert Gregg, Columbus  
 Gayle Lynn Gregg, Bainbridge  
 Catherine Raphael Griffin, Columbus  
 Susan Diane Griffith, Columbus  
 Jeanne Annabell Grim, London  
 James Thomas Grimes, Frazeeburg  
 Robert Lee Grimm, Oak Harbor  
 Donna Baughman Grimme,  
 West Alexandria  
 Sharon Jean Grooms, Piketon  
 Carolyn Mercer Grossman, Columbus  
 Douglas Alan Grossman, Toledo  
 Jeanne Cooksey Grothaus, Utica  
 Nancy Shafer Groves, Eaton  
 Lois Elaine Guspyt, Gnadenhutten  
 Karen Sue Guthrie, Canton  
 Eric Guttenberg,  
 New Hyde Park, N. Y.  
 Becky Lucille Haddix, Cuba  
 Ricky Ray Haddix, Genoa  
 Debra Ann Haffey, Johnstown  
 Elizabeth Hager, Dayton  
 \*Lisa Ann Haines, Columbiana  
 Susan Bonaventure Haines, Columbus  
 Tondaleigh Hall, Columbus  
 Pamela Lynn Halle, Powell  
 Janine Vivien Haloostock, Columbus  
 Penny Gardner Halterman, Columbus  
 Angela Jobe Hamilton, Mansfield  
 Peggy Anne Hanley, Sandusky  
 Edwin Craig Hann, Columbus  
 Susan Diane Harbaugh, Senecaville  
 Mona Paige Harris, Fairborn  
 Sheldon Jack Harris, Cleveland  
 Debra Rae Hart, Southington  
 Lois Marie Hartzler, Smithville  
 B. A. (College of Wooster)  
 Gayla Henderson Headley, Camden  
 Cert. Grad. Dent. Hyg.  
 Mark Edward Heater, Columbus  
 Lynn Gay Heatley, Sharon, Pa.  
 Mary Weddle Heeg, Columbus  
 Sheila Rae Metzger Hegenberger,  
 Reynoldsburg  
 Stephen Conrad Heinrichs, Greenville  
 Carolyn Damude Helbert, Mansfield  
 John Merlin Hemmerly, Columbus  
 Sarah Jane Henderson, Mansfield  
 Danny John Henry, Oak Harbor  
 Cathy Sue Herbert, Grove City  
 Andrea Linville Herbst, Lima  
 Rebecca Parks Hercher, Rinard Mills  
 Michael Dee Hero, Columbus  
 Anna Morin Herod, Westerville  
 Lena Pearlman Heyman, Columbus  
 Nancy Elizabeth Higgins, London  
 Deborah Jane Hild, Phillipsburg  
 Melissa Tyznik Hill, Columbus  
 Robert Bernard Hirsh, Pittsburgh, Pa.  
 William Andrew Hite, III, Thornville  
 Martin Lewis Hiudt, Cincinnati  
 Nancy Lynn Hobart, Worthington  
 Susan Annette Hochwalt, Dayton  
 Carol Bernice Hoffman, Novelty  
 Dennise Kennedy Holtzapfel, Bucyrus  
 Jane Ruth Homan, St. Henry  
 Kathleen Elizabeth Hoover, Marion  
 Randal Alan Hopkins, Kettering  
 Ethel Sprague Horvath, Cridersville  
 Sharon Elizabeth Houghton,  
 Cleveland  
 Linda Lou House, Jeromesville  
 Nedra Leist Houston, Columbus  
 B. A.  
 Elizabeth Ann Howell, Woodsfield  
 Cert. Grad. Dent. Hyg.  
 Martha Jeanette Howell, Columbus  
 Julianne Howie, Mountain Brook, Ala.  
 Robert Michael Hubbell, Delaware  
 John Lawrence Huber, Columbus  
 Sharon Ann Hudock, Parma  
 Helen Marie Hughes, Newark  
 Melinda Kay Hughes, Columbus  
 Susan Boggs Hume, Columbus  
 Karen Rae Humphrey, Reedsville  
 Karen Diane Hunter, Columbus  
 Barbara Ann Huntsberger, Centerville  
 Ann Batchelor Hursey, Columbus  
 Barbara Jean Hurucz, Solon  
 John Michael Husband, Elyria  
 Vickie Jean Hutchins, Springfield  
 Anthony Carmen Iacoboni, Columbus  
 Janet Elaine Iceman, Wooster  
 Gretchen Jan-Tausch Ickert, Mansfield  
 Alicia Josefina Iglesias, Worthington  
 Nancy Lee Ingledue, Lima  
 Kimberly Jo Irving, Heath  
 Bennie Isakovic, University Heights  
 Mary Lynn Jackson, Mansfield  
 Cert. Grad. Dent. Hyg.  
 Barbara Lee Jacobson, Cincinnati  
 Patricia Juricich James, Columbus  
 Annette Beatty Jefferson, Columbus  
 Linda Kay Jenkins, Newark  
 Cheryl Lynn Jobe, Strongsville  
 Lynne Suzette Johns, Columbus  
 Mark Irwin Johns, Clayton  
 Christine Marie Johnson, Hiram  
 Clarke William Johnson, Columbus  
 Doreen Claire Johnson,  
 Cuyahoga Falls  
 Milburn Lee Johnson, Jr., Columbus  
 David Keennon Johnston, Marion  
 Diane Lenox Johnston, Grove City  
 Paul Howard Johnston, Columbus  
 Michael Joe Jones, Columbus  
 John Christopher Jordan, Columbus  
 Dennis Craig Kaelber, Delaware  
 \*Nancy Eillian Kaler, Mansfield  
 Steve Kalliantas, Columbus  
 Rae Ellen Kane, Hempstead, N. Y.  
 Shelley Kaplowitz, Elmont, N. Y.  
 Gregory Walter Kaumeyer, Lancaster  
 Judith Stein Kay, Columbus  
 Fred Alan Keller, Prospect  
 Denise Louise Kelley, Columbus  
 Linda Lee Kelly, Grove City  
 Leslie Louise Kemp, Cincinnati  
 Michael John Kennedy, Bellefontaine  
 Marcy Eve Kepich, Toledo  
 Charles Michael Kiess,  
 Upper Sandusky  
 Joan Dysart King, Columbus  
 Virginia Sackrison King, Granville  
 Jodelle Dawn Klamfoth,  
 Canal Winchester  
 Alice Faye Kleinman, Galion  
 Deborah Ann Kletrovets, Columbus  
 Donald Eugene Klopfenstein,  
 New Washington  
 Jackie Lee Knicely, St. Louisville  
 Marla Spindler Kniffin, Marysville  
 Renay Ann Knight, Centerville  
 Debra Sue Knodel, Van Wert  
 Karen Knowlton, Cambridge  
 Kathleen Owens Koch, Lima  
 Alan Reid Koerber, Martins Ferry  
 Ellen Louise Kollmer, Columbus  
 Cindy Lee Korman, Cleveland  
 Jo Ann Kowal, Munhall, Pa.  
 Richard Michael Krach, East Canton  
 \*Craig Williamson Kramer,  
 Worthington

\* Also Bachelor of Arts, Colleges of the Arts and Sciences

Eddi Sue Kranzler, Roslyn, N. Y.  
 Anna Katherine Kratzer, Columbus  
 Christine Marie Kromer, Sandusky  
 Leslie Sharon Krouk,  
 Maplewood, N. J.  
 Judith Stevenson Kruest, Columbus  
 A.B. (Ohio University)  
 Christine Ellen Kruse, Columbus  
 Patricia Elizabeth Kruse, Amherst  
 John Theodore Kuck, Columbus  
 Linda Lee Lambert, Centerville  
 Marshall Ray Landis, II, Alvordton  
 Astrid Elisabeth Langell,  
 Dillon, Colo.  
 Cert. Grad. Dent. Hyg.  
 Debbra Sue Langford, Troy  
 Timothy Lynn Larimore, Gomer  
 Tracy Topping Lawlis, Mansfield  
 Cynthia Ariette Lay, Columbus  
 Linda Marlene LeBlanc, Mansfield  
 Dale Robert Leblang, Beachwood  
 Arthur Jay Lebowitz,  
 St. Louis Park, Minn.  
 Alison Jamie Lee, Skokie, Ill.  
 George Leonard Lee, Ashley  
 Tamara Lee, Akron  
 Betty Beebe Leeke, Columbus  
 Mark Edwin Leimsieder,  
 Mayfield Heights  
 Jill Caryn Leming, Acton, Mass.  
 Michael Letostak, Columbus  
 Ilene Sue Levine, Cincinnati  
 Karel Susan Levy, Columbus  
 Deborah Ileen Lewis,  
 University Heights  
 Michael Joseph Lind, Columbus  
 Shirlee Hastings Lindsay, Columbus  
 Michael Dodd Lindsey, Columbus  
 Michael Lee Linkinoker,  
 Bellefontaine  
 Peter Richard Lintala, Columbus  
 Linda Sue Litchfield, Grove City  
 Dulce Lea Little, Columbus  
 Kathryn Loretta Little, Cardington  
 Teresa Louise Lockman, Wauseon  
 Robert Craig Loney, Columbus  
 \*Nancy Elizabeth Long, Columbiana  
 Roberta Jean Long, Cleveland  
 Laura Susan Lowe,  
 University Heights  
 Connie Lynn Lowery, Reynoldsburg  
 Carleen Ann Lucke, Lima  
 Diane Luckhart, Laurelville  
 Barbara Lee Ludden, Columbus  
 Robert Francis Ludwig, Elmhurst, Ill.  
 Joanne Marie Lux, Canton  
 Lois Chappell Luzader, Columbus  
 Deborah Cormany Lytle, Grove City  
 Melissa Jo Mainwold, Toledo

Shirley Malmacher, South Euclid  
 Richard Michael Mangini, Columbus  
 Patrick Lee Manley, Columbus  
 Nikki Jean Mann, Columbus  
 Daniel Edward Marshall, Lima  
 Marie Theresa Marshall, Grove City  
 Michele Marie Marshall, Kettering  
 Merrirose Dockman Martin, Mansfield  
 Mary Jo Massingill, Toledo  
 Gail Janine Matthes, Lexington  
 \*Susanne Marie Maxim, Enon  
 Barry Jay Mazer, Birmingham, Ala.  
 Martin Paul Mazikowski,  
 Lackawanna, N. Y.  
 Sharon Anne McCarthy,  
 Fairview Park  
 Mary Louise McCorkle, Columbus  
 Marilyn Jean McCoy, Columbus  
 Denise Moberg McCue, Columbus  
 Patricia Voss McGinty, Mansfield  
 Thomas Patrick McGinty, Columbus  
 Eric Malcom McGlade, Columbus  
 Roger Allen McGlaughlin,  
 Worthington  
 Kathleen Ann McGraner, Columbus  
 Judith Ellen McGuire, Middletown  
 Elaine McIntosh, South Lebanon  
 Jo Ellen McManus, Cambridge  
 Kathie Long McQuiniff, Columbus  
 Linda Lou Meeder, Columbus  
 Marc Mehl, Columbus  
 Joyce McKee Meinberg, Columbus  
 Neal Jeffery Meisner, Columbus  
 Marcia Pearlman Meizlish, Columbus  
 Sherry Ann Melreit, Walton Hills  
 Carmella Sue Mendiola, Ravenna  
 Iris Ruth Mendlowitz, McKeesport, Pa.  
 Joseph Alan Mervar,  
 Richmond Heights  
 Hannah Kathleen Meseroll, Gahanna  
 Raymond James Meyers,  
 Hamilton, Ont., Canada  
 Scott David Mickley, Westlake  
 Cheryl Army Miller, Ohio City  
 Diane Louise Miller, Dover  
 Dianne Lenora Miller, St. Marys  
 James Henry Miller, Columbus  
 Janet Kay Miller, Mansfield  
 Jeffrey Glenn Miller, Columbus  
 Jeffrey William Miller, Newark  
 Kevin Joseph Miller, Lexington  
 Randall Jay Miller, Cridersville  
 William Michael Miller, Bucyrus  
 Katherine Yvonne Mills,  
 Long Beach, N. Y.  
 Enid Sue Mintz, Pepper Pike  
 Marcia Susan Mitchell, Columbus  
 Thomas Steven Molnar, Columbus

Rema Marie Monaco, Columbus  
 Debra Maureen Mongan, Cincinnati  
 Leander Homer Montgomery,  
 Columbus  
 Nancy Wehrfritz Montgomery,  
 Columbus  
 Donald Herbert Moore, Jr., Columbus  
 Harold Edward Moore, Bellaire  
 Karen Diane Moore, Kettering  
 Kathy Morgan Moore, Middleport  
 Marianne Daries Moore, Worthington  
 B.A. (Western College);  
 M.S. (Cornell University)  
 \*Karen Ann Moran, Mansfield  
 Janet Lois Morgan, Warren  
 Patricia Maurer Morlan, Columbus  
 Nancy Jean Morris, DeGraff  
 Robert Allen Morris, Piqua  
 Nancy Elizabeth Morrison, Columbus  
 Denese Gay Mott, Fort Sill, Okla.  
 Bonita Polosky Murdock, Columbus  
 Janice VanOrsdel Mussio, Columbus  
 Danny Ray Myers, Columbus  
 Donna Mae Myers, Kenton  
 Joe Nell Myers, Arlington  
 Kristine Lynn Nagel, Columbus  
 Deborah Lynne Neal, Akron  
 Robert Charles Neal, Galion  
 Lowell Richard Nees, Columbus  
 David Clark Neff, Columbus  
 Beverly Joy Nelson,  
 University Heights  
 James Hull Nelson, Columbus  
 Ellen Carol Neugebauer,  
 Baldwin, N. Y.  
 Carol Bahner Newell, Marion  
 Catherine Marie Nichols, Columbus  
 Sandra Lee Nickel, Warren  
 Deborah Dyer Nines, Columbus  
 Diana Jean Niswander, Lima  
 Larry Ronald Noblick, Columbus  
 B.S., M.S.  
 Mary Ann Noonan, Cincinnati  
 Laura Sauter Norman, Wapakoneta  
 Paula Jeanne Nowacki, Worthington  
 Linda Claire Nutter, Columbus  
 Barbara Freeborn Obrecht,  
 Loudonville  
 Christine Marie O'Donnell, Cincinnati  
 Martin Edward O'Donnell, Parma  
 Kathleen Mary Oesterlein, Cincinnati  
 Richard Thomas Olsen,  
 West Babylon, N. Y.  
 Sandra Seiple Orcutt, Columbus  
 Ellen Sue Ostrow, Westerville  
 Elizabeth Ellen Packard,  
 Fairview Park

\* Also Bachelor of Arts, Colleges of the Arts  
 and Sciences

Christine Ann Pagel,  
San Juan Capistrano, Calif.

Concetta Casola Pagliaro, Marysville  
B.S. (McGill University, Canada)

Judith Ann Palavin, Chesterland

Bonnie Jean Paquin, Brunswick

Pamela Louise Parge, Parma Heights

Linda Fay Parker, Lima

Monica Jeanne Parks, Belpre

Connie Jean Parsell, Forest

Jeffrey Mark Parson, Columbus

David Lynn Parsons, Crestline

Robert Lee Pavlick, Youngstown

Dean Lester Pendleton, Columbus

Linda Lee Pennington, Lima

Lynne Susan Peresman,  
Pittsburgh, Pa.

Jean Marie Pero, East Canton

Kimberly Ann Pfinsgraff,  
Youngstown

Charles Ronald Phillips, Johnstown

Diane Marie Pierce, Columbus

Dolores Jean Piper, Cleveland

Philip Nicholas Pirman, Cleveland

Grace Peterangelo Pittman, Columbus

Jacque Iden Poe, Jr., Columbus

\*Julia Ann Poirier, Columbus

Katherine Louise Poll, Toledo

Phyllis Norma Pollack,  
Franklin Square, N. Y.

Karoly Joseph Poor, Parma

Erma Clark Popoff, Marion

David Neal Potter, Columbus

Patricia Louise Powell, Urbana

Christine Ellen Prentice,  
North Lawrence

William Andrew Preston, Columbus

Susan Betty Price, Akron

Vicki Ardelle Priddle, Ashtabula

Marcia Ann Priess, Ashland

Kirt Louis Priest, Columbus

Jeanne Marie Pritchard, Medina

Renee Paula Prizant,  
University Heights

Sue Ellen Prosch, Portsmouth

Marcus Merton Purvis, Columbus

Karen Gossard Quatman, Lima

Connie Lee Quick, Columbus

Gary Allan Ramsey, Columbus

Rena Rae Ramsthaler, Norton

Jerome Alan Rand, Mayfield Heights

Stephen Paul Ranft, Columbus

Rebecca Lee Rankin, Columbus

\*Janet Karen Ransom, Columbus

Connie Jean Rase, Conroy

Maryjane Mizda Rebich, Lyndhurst

Nancy Ann Recknagel, Toledo

Sandra Kaye Refitt, Middletown

Dinu Michael Rehner, Columbus  
B.A.

Darlene Jo Rhoades, Galion

Rebecca Lynn Rhoads, Toledo

Yvonne Cecile Rhode, Columbus

Elliott Ferguson Rice, Jefferson  
B.S.

Keith Richards, Columbus

Susan Elizabeth Rindfleisch,  
Olmsted Falls

Marilyn Goetschius Robbins,  
Columbus

Ann Frances Roberts, Lima

Peggy Mercer Roberts, Heath

Mary Lynn Robertson, Ashland

John David Robinett, Columbus

Sandra Kaye Rohrer, Hilliard

\*Lawrence Michael Romanoff, Toledo

Janine Evans Roosenberg, Lima

Janet Leslie Rosenberg, Beachwood

Linda Rosner, Cleveland

Laura Marcia Rothenfeld, Beachwood

Kim Jeni Rothschild, Toledo

Sarah Rouso, Columbus

Mary Elizabeth Rowe, Springfield

Laurie Beth Rubin, Rahway, N. J.

Barbara Ellen Ruef, Kettering  
Cert. Grad. Dent. Hyg.

Alan Dennis Runyan, Kingsville

\*Deborah Ann Ruppelt, Bay Village

Jody Kay Rusk, Zanesville

Joseph Michael Rutter, Columbus

Steven Gene Ryerson, Columbus

Mary Shifley Sabo, Galion

Rosemarie Sabo, Dublin

Susan Skidmore Sagstetter, Columbus

Joyce Salat, South Euclid

Carolyn Frieda Saliba, Caldwell

Gerald Herbert Sample, Mt. Gilead

Janet Sutermeister Sansotta, Marion

Carol Lee Saunders, Newark

Pamela Ann Scannell, Toledo  
Cert. Grad. Dent. Hyg.

Bari Jones Scarberry, Columbus

Michael Wayne Schaberg, Van Wert

My Beach Scheiderer, Marysville

Patricia Lou Schein, Williamsport

Michael John Schepp, Lima

James William Schiller, Columbus

Linda Anne Schmidt, Columbus

Randee Luyster Schmitt, Columbus

Barbara Kress Schneider, Columbus

Michael William Schoener, Columbus

Suzanne Catherine Schuder,  
West Carrollton

Deborah Neville Schultz,  
Cuyahoga Falls

Kathleen Mae Schulz, Columbus

Janice Rae Schwartz, Columbus

Diane Mary Schwegman, Coldwater

Edward J. Schweinfurth,  
New Bloomington

Sandra Jean Scofield, Windsor

Joan Elaine Scolieri, Columbus

Nancy Elizabeth Scott, Dayton

Joseph Raymond Seger, Sidney

Trannie Ray Sehlmeier, Napoleon

Gail Ann Senger, Rocky River

Joanne Serabin, Cleveland

Bill Sero, Parma

Carolyn Jean Seymour, Shiloh

Lorraine Anne Shacklett,  
Waukegan, Ill.

Kim Lorraine Shaffer, Butler, Pa.

Leslie Ann Shallenberger, Marietta

Patricia Anne Shaver, Columbus

Rosemary Sue Sheaffer, Nevada

Maurcen Clare Sheehan, Cleveland

Cynthia Jean Sheets, Orient

Linda Lee Sheets, Westerville

Kay Ellen Sheidler, Lima

Nancy Taylor Shepherd, Newark

Joan Gayle Shrader, Columbus

Robert David Shriver, Delaware

Fatti Lane Sibey, Cincinnati

June Kay Siegel, Columbus

Bonnie Sue Siferd, Elida

Daniel Thomas Sigler, Columbus

Jeanne Esther Silberman,  
Cleveland Heights

Ann Rochelle Silver, Canton

Harriet Meryl Silver, Elmont, N. Y.

Christine Allen Simmons, Columbus

Molly Moore Simmons, Dayton

Martha Spahr Simonsen, Columbus

Joseph Ulisse Siriano, Ashville

Nicholas Skevos, Marion

Susan Adams Slocum, Columbus

Barbara Ann Smith, Ashtabula

Carol Ann Smith, Dayton  
Cert. Grad. Dent. Hyg.

Celinda Kay Smith, Dayton

Hope Levita Smith, Columbus

Jim C. Smith, Yellow Springs

Nancy Kay Smith, Grove City

Patricia Ann Smith, Lyons

Deborah Sue Snyder, Warren, Mich.

Rodney Lynn Snyder, Baltic

Shelley Martha Sommer, Wadsworth

Nancy Ann Spaeth, Mason

Barbara Lynn Speert, Dayton

Lydia Boals Spriesterbach, Columbus

Pamela Susan Sprouse, Bridgeport

James Luther Staley, Dayton

Kathryn Jane Staley, Kettering

Darryln Anne Steele, Newark

\* Also Bachelor of Arts,  
Colleges of the Arts and Sciences

Margaret Ann Steele, Columbus  
 Mary Marie Steiner, Upper Sandusky  
 Dale Wayne Steinmetz, Jr.,  
 Wapakoneta  
 Colleen Grey Stemen, Columbus  
 Deborah Jean Stephan, Springdale  
 Lawrence Garel Stephens, Jr.,  
 Columbus  
 Linda Lou Stepp, Orient  
 Linda Stern, Teaneck, N. J.  
 Ronald Frederick Stevens, Newark  
 Kristen Pat Stichter, Toledo  
 Randy Glenn Stitzlein, Jeromesville  
 Deborah Jean St. John, Akron  
 James Edwin Stoch, Euclid  
 Bernard Karl Stockton, Elida  
 Claude Fernand Stocky, Columbus  
 Thomas Ardin Stose, Columbus  
 Constance Louise Stover, Kettering  
 Linda Cheryl Straus, Cleveland  
 Betty Simmons Stroup, Shelby  
 Barbara Ellen Strub, Coshocton  
 Andrea Florence Stuck, Kenton  
 Janet Marie Sucheck, Canton  
 Rebecca Jean Suomela, Mentor  
 Deborah Maitha Surniak, Columbus  
 Darl Lawrence Sutton, Columbus  
 Joan Kathleen Swartz, Wapakoneta  
 Leslie James Swearingen,  
 Ecorse, Mich.  
 Harold Everett Swick, Jr., Morral  
 Deborah Mae Swigart, Marion  
 Thomas Alexander Szabo, Elyria  
 Zoltan Szabo, Jr., Columbus  
 B.D. (Bloomfield Theological  
 Seminary)  
 Christine Alice Szczepanski, Marion  
 John Louis Tanoury, Zanesville  
 Julianne Tanski, Eastlake  
 Judith Weaver Taylor, Columbus  
 Janeen Ann Teal, Columbus  
 Dennis Keith Temple, Leesburg  
 Antoinette Sue Tepe, Cincinnati  
 Cert.Grad.Dent.Hyg.  
 Michael Ray Terry, Lima  
 James Keith Tewksbury, Hamilton  
 Donald Wayne Thacker, Jr.,  
 Springfield  
 Carole Sue Thomas, Quaker City  
 Katharine Look Thomas, Lima  
 Christine Jean Timko, Toledo  
 Rebecca Ann Tirey, Franklin  
 Daniel Richard Toder,  
 Rockaway, N. J.  
 Janet Marie Toerner, Hamilton  
 Teresa G. Toms, Mansfield  
 Cheryl Jean Torrey, Millersport  
 Mary Jo Toussant, Columbus  
 Trisha Lee Travis, Bay Village

Roger George Trimmer, Steubenville  
 Robert William Tucker, Newark  
 Barbara Ann Turner, Pittsburgh, Pa.  
 Elizabeth Gorton Turner, Hudson  
 Amy Sue Ulrich, West Alexandria  
 David Lester Vale, Berea  
 Susan Marie VanJura, Painesville  
 Claudia Jean Velt, Columbus  
 Sally Ann Vranek, Berea  
 Karen Lynn Wagar, Toledo  
 Diane Evers Wagner, Columbus  
 Susan Patricia Walden, Dunkirk  
 Sandra McCracken Walke, Marion  
 Joan Marie Walker, Bryan  
 John Franklin Walker, Creston  
 Donna Gail Wall, Maple Heights  
 Brenda Kay Wallace, Trotwood  
 Harriett Jean Wallace, Columbus  
 Paulette Ann Wallischeck, Greenville  
 Terri Ann Walls, DeGraff  
 Marlene Thiery Walton, Columbus  
 Michael Keith Wampler, Sunbury  
 Terrill Mae Wantz, Dayton  
 Howard Gene Ward, Columbus  
 Richard James Ware, Rocky River  
 Jack Jean Warecki, Columbus  
 Nancy Kay Warner, Lorain  
 Patricia Diane Warner, St. Marys  
 Eva Yarman Warren, Gahanna  
 Kathie Lynn Warrens, Shelby  
 Deborah Jean Wathen, Worthington  
 Julie Paynter Weatherington,  
 Columbus  
 Thomas Scot Weckesser, Wooster  
 Josephine Ann Wehri, Cloverdale  
 Lynn Weiner, New York, N. Y.  
 Bridget Nagel Weller, Wapakoneta  
 Charles Joseph Weller, Miamisburg  
 Virginia Gill Welty, Columbus  
 Cert.Grad.Dent.Hyg.  
 William Thomas Wendorff, Euclid  
 Deborah Denton West, Lima  
 Paul Clarence Whitehill, Lakeview  
 John Joseph Wido, Parma  
 Teri Lee Wieder, South Euclid  
 Richard Anthony Wiegand, Euclid  
 Merry Jo Dewhirst Wieland,  
 Columbus  
 Jacquelin Ostrom Wilcox, Columbus  
 Michael Alan Wilfong, Vinton  
 Jane Frances Wilkerson, Ada  
 Olive Craig Wilkin, Columbus  
 Robert Harrod Willard, Chagrin Falls  
 Debra Lee Williams, Brook Park  
 Emily Jane Williams, The Plains  
 Holly Winegardner Williams, Newark  
 Mary Hoddy Wilson,  
 East Lansing, Mich.  
 Cert.Grad.Dent. Hyg.

Darrel Leslie Wilt, Wilmington  
 Gary Ray Winemiller, Sidney  
 Jayma Thompson Wink, Mansfield  
 Linda Jo Winkle, Sardinia  
 Jean Winkler, Lima  
 Thomas Edwin Wojcik, Lombard, Ill.  
 Kurt Bryan Wolfangel, Xenia  
 Cathi Ellen Wolfson, Beachwood  
 Dianne Lynn Wood, Buckeye Lake  
 Linda Erbe Woodward, Columbus  
 Marvin Richard Wourms, Columbus  
 Kathy Dilbone Wurth, Amlin  
 David Baker Yaussy, Bucyrus  
 Jill Smith Yelverton, Columbus  
 Cynthia Ann Yost, Newark  
 Bruce Charles Young, Mansfield  
 Katharine Lee Young,  
 Allison Park, Pa.  
 Roger Louis Young, Baldwin, N. Y.  
 William Carl Young, Payne  
 Jan Johnson Zarle, Columbus  
 John William Zarle, Orrville  
 James Thomas Zebroski, Warren  
 Sally Toth Zimowski, Newark

**Bachelor of Art Education and  
 Bachelor of Music Education  
 degree are offered jointly by the  
 College of The Arts and the  
 College of Education  
 Candidates are listed on pages 27  
 and 28**

## College of Engineering

Dean: Harold A. Bolz

### Bachelor of Aeronautical and Astronautical Engineering

One candidate

\*\*Richard Jeffrey Freuler, Hamilton

### Bachelor of Science in Aeronautical and Astronautical Engineering

Sixteen candidates

Douglas Neal Ball, Mansfield  
Samuel Russell Barlow, Cincinnati  
Robert William Bigi, Thornville  
Steven Paul Clark, Columbus  
Roger Leo Davis, Columbus  
Jay Lance Elliott, New Concord  
Deems Shelton Emmer, Reynoldsburg  
Michael Glenn Evans, Columbus  
Bruce James Gallagher,  
New Hyde Park, N. Y.  
Keith Dennis Kern, Westlake  
Emilio Dominico Marasco,  
Mt. Vernon, N. Y.  
Robert John Moffitt, Akron  
Patrick Augustine O'Brien, Columbus  
Donald Christopher Richter, Jr.,  
Rochester, N. Y.  
Karl Wayne Rust, St. Paris  
Michael Timothy Smiley,  
Canal Winchester

### Bachelor of Science in Agricultural Engineering

Nine candidates

John Wayne Arnold, Orrville  
George Michael Bayer, Columbus  
G. James Deeds, Pataskala  
Mark Raymond Hartman, Xenia  
David Lewis King, Fairfield  
John James Parker, Kingsville  
David Kevin Robson, Westerville  
David Lloyd Roehm, New Vienna  
Glenn William Shields, Cadiz

### Bachelor of Science in Ceramic Engineering

Nine candidates

Robert Roy Blakely, Jr., Zanesville  
Kenneth Richard Butcher, Elyria  
Alfred DeLeon, Columbus

Guy Daniel Ensinger, East Liverpool  
JoAnn Grill, Uhrichsville  
Robert Lanson Hyde, Westerville  
Frederick Charles Rau, Middletown  
Marcia Provens Rausch, Columbus  
George John Ulrich, Ridgeway

### Bachelor of Science in Chemical Engineering

Thirty-six candidates

Steven Harold Alkire, Circleville  
John Joseph Antolik, Richfield  
Barry Thomas Bayne, Columbus  
Ernest Harland Beadle, Jr., Columbus  
Christopher Randall Beharry,  
Chesterland  
Edward David Brooks, Tiffin  
Steven Merrell Brown, Chillicothe  
Raymond Thomas Collins, Westlake  
Kenneth Richard Cox, Cincinnati  
Gary Scott Cullen, Lorain  
Bruce Kyle Dawson, Lakewood  
Louis Richard Dossie, Bellaire  
Herbert Plugin, Columbus  
Mark Edwin Forry, Columbus  
Timothy Lee Goslin,  
Miami Lakes, Fla.  
Alan Ralph Harrison, Conneaut  
Dan Warren Hester, Jr., Lancaster  
Brooks Harding Hurd, Jr., Columbus  
James John Krejci, Medina  
Dannie Paul Maddox,  
Franklin Furnace  
James Anthony McCaw, Jr.,  
Cuyahoga Falls  
Robert Cloyd McKee, Mt. Vernon  
Kenneth Lee Montague, Lima  
Edward Charles Myers, Toronto  
John Edward Myers, Circleville  
George Louis Ott, Brunswick  
Michael Allen Patterson, Ashland  
William Martin Pekman,  
Fairbanks, Alaska  
David Bruce Ramey, Worthington  
John Lawrence Rhode, Wooster  
Barry Alan Robinson, Medina  
Steven Karl Scheel, Columbus  
Randall Lawrence Schroeder,  
Glandorf  
Dana Keith Thompson, Columbus  
Gary Jan Walter, Canton  
Isaac Meyer Worthalter,  
Bogota, Colombia

### Civil Engineer

Two candidates

Steven Barbour, Columbus  
B.S.C.E.  
Robert Russell Howard II, Columbus  
B.E. (Youngstown State  
University)

### Bachelor of Science in Civil Engineering

Forty-two candidates

Dennis Lee Anderson, Xenia  
Gary Lee Behnke, Columbus  
Hugh Blocksidge, Cleveland  
Alan Lee Blosser, Lakewood  
Robert Spencer Chambers, Belpre  
Lynn Alan Clark, Wooster  
Vernon Michael Cochran,  
New Matamoras  
James Kevin Farrell, Brecksville  
Steven Richard Fox, Findlay  
Stephan Marc Gale, Eastlake  
Nick Gust Gianakis, Cleveland  
William Keith Gilbert, Mason  
Kenneth James Graham, Jr.,  
Columbus  
Peter Bryan Grazier, Columbus  
Dennis Keith Hartman, Findlay  
Michael Alan Hemmerich, Greenville  
Joseph Edward Hickle, Jr., Columbus  
Steven William Hostetler, Columbus  
Paul Steven Hundley,  
Upper Montclair, N. J.  
David Allan Macynski, Columbus  
William Velmen Mathews, Columbus  
Ronald Ira Mayo, II, Columbus  
William Parks McKinnell, III,  
Columbus  
Mark Eric Moellman, Bay Village  
Mark Edward Moloney, Euclid  
Michael Lee Myers, Carey  
Ralph Edward Norman, Jr.,  
North Canton  
David Alan Norris, Woodsfield  
Victor Omelchenko, Rochester, N. Y.  
Gus Papageorgiou, Martins Ferry  
James Alan Petsche, Willowick  
Timothy Owen Riley, Norwalk  
James Donald Rogers, Lancaster  
Kenneth Hayes Roush, Columbus  
Walter Ewell Sandefur, Columbus  
James Raymond Scott, Chillicothe

\*\* Also Bachelor of Science in Computer and Information Science, College of Engineering  
\*\* Also Master of Science, Graduate School

William Raymond Shelley, Bellevue  
Robert Perry Shumate, Lima  
William Lee Wallace, Elida  
Bruce Edward Walpole, Columbus  
Ronald Raymond Weaver, II, Belpre  
Charles Franklin Zirkle, Greenville

### **Bachelor of Science in Computer and Information Science**

Thirty candidates

Colin Edward Abbott, Columbus  
Terry Alan Bechtle, Marion  
William Edward Breen, Marion  
Stephen Randall Brenneman, Coshocton  
Mark Christopher Brinich, Lakewood  
Steven Wayne Chapman, Delaware  
Jill Chamberlain Chappel, Wyoming, N. Y.  
Edmund Donald Clapp, Broadview Heights  
Terry Richard Cooper, Ripley  
George Ronald Dettore, Granville  
\*\*Richard Jeffrey Freuler, Hamilton  
Steven John Gray, Gahanna  
Clark Edward Hawk, Chagrin Falls  
Robert Eugene Horton, Brook Park  
Brion Dale Jones, Warren  
Carl David Nau, South Euclid  
Ronald Gary Nichols, Columbus  
John Willard Orwig, Bellevue  
John Lee Panteck, Parma  
Kristine Jean Peters, Chillicothe  
Thomas Herbert Port, Youngstown  
Kenneth Louis Rancour, Parma  
Scott Warner Riddle, Ravenna  
Michael Francis Singer, Defiance  
Michael Lee Snider, Columbus  
James Stuart Totty, Maumee  
Mark Jay Waite, Westerville  
Douglas Leonard Weed, Columbus  
Bruce Elton Wilkinson, Hinckley  
Benjamin Franklin Yee, Columbus

### **Electrical Engineer**

One candidate

Robert Mitchel Blumgold, Dayton  
B.S.E.E. (Polytechnic Institute of Brooklyn)

### **Bachelor of Electrical Engineering**

One candidate

\*Richard Allen Sunderland, Spencerville

### **Bachelor of Science in Electrical Engineering**

Forty-nine candidates

Hossein Abolmolouki, Tehran, Iran  
Norman Frederick Abreo, Columbus  
Gregory Ralph Baehr, Bucyrus  
Charles Martin Bell, Columbus  
Roger Lewis Boyer, Cuyahoga Falls  
David Lee Budde, Kettering  
Ronald Paul Caron, Columbus  
Thomas Richard Clark, Columbus  
Brian Kent Cosens, Columbus  
Christopher Leonard DeCenzo, Coshocton  
Timothy Lee Deeter, Greenville  
John Robert Deller, Jr., Cincinnati  
Dennis Lee Detamore, Dayton  
John David Dobbs, Columbus  
Jesse Leslie Elek, Columbus  
Robert Lewis Farnsworth, East Liverpool  
Ronald Edwin Fauver, Columbus  
Terry Lee Fry, Vienna, W. Va.  
Paul Yiu-Yeung Fung, Columbus  
Eric Dale Greer, Columbus  
William Leo Hayes, Piqua  
Dale Andrew Hruska, Parma  
William Higgins Kelly, Carroll  
Paul Carl Lange, Jr., Coraopolis, Pa.  
Tao Trong Le, Saigon, Vietnam  
William Michael Lewis, Columbus  
Clifford Franklin Lincoln, III, Columbus  
Jonathan Lee Linton, Columbus  
Ronald Lloyd Lynn, Columbus  
Gary Gerard Meloency, Birmingham, Mich.  
Paul Richard Michel, Kettering  
Richard Allan Nagy, Parma  
Robert Thomas Parrett, Worthington  
David Randolph Pickut, Cuyahoga Falls  
Frank Joseph Ricker, Columbus  
Howard Sheldon Robbins, Columbus  
David Alan Saghy, Seven Hills  
Daniel Ivan Schoenberger, Upper Sandusky  
David Bruce Schultz, Marion

Daniel Earle Sheley, Columbus  
James Robert Sherbundy, Bucyrus  
Keith Alan Shubert, Columbus  
Donald Warren Spencer, Clyde  
John Edward Stickel, Galion  
Robert Lee Sweitzer, Columbus  
Arthur Martin Thinguldstad, Worthington  
Steven Mark Thurber, Columbus  
Maurice Anthony Tourville, III, Pittsburgh, Pa.  
Pierre Marie Wilson, Columbus

### **Bachelor of Science in Engineering Physics**

Two candidates

Lawrence Francis Rubin, Columbus  
James Edwin Watson, Atlanta, Ga.

### **Industrial Engineer**

One candidate

William Loren Cantor, Senecaville  
B.S.A.A.E.

### **Bachelor of Science in Industrial and Systems Engineering**

Twenty-three candidates

William Wesley Bundy, Coshocton  
Gregory Dean Crase, Canal Winchester  
Burton Andrew Davis, Jr., Cincinnati  
Daniel Edward Deveau, Lexington  
Richard Alvin Fulgham, Columbus  
Paul Larry Hamer, Columbus  
John Serge Kisch, Maple Heights  
Robert James Koch, Brooklyn  
Jeffrey Wills Lusk, Troy  
David Charles Murman, Lakewood  
David Martin Pavlik, Shadyside  
John Alan Reidy, Lakewood  
Glenn Russell Sewell, Columbus  
Barbara Jo Simpson, Columbus  
Gregory Laurence Smith, Columbus  
David Harry Starkey, Dublin  
Leon Richard Substelnj, Columbus  
Daniel Anthony Szablewski, Jr., Parma

\* Also Master of Science, Graduate School  
\*\* Also Bachelor of Aeronautical and Astronautical Engineering, College of Engineering  
\*\* Also Master of Science, Graduate School

Ralph John Troha, Cleveland  
John Dennis Vasichko, Columbus  
Robert Ernest Wilkins, Hilliard  
Dennis Lee Wolf, Medina  
John Melvin Yesso, Conneaut

### **Bachelor of Science in Mechanical Engineering**

Thirty-seven candidates

Michael James Angle, Bellefontaine  
Kurt David Badertscher, Worthington  
Thomas James Baughman, Napoleon  
Sason Benado, Givataim, Israel  
Bruce Harvey Blank, Mansfield  
Michael Joseph Boss, Kettering  
Kenneth Fred Deken, Westerville  
Robert Lee DuHadway, Cleveland  
Larry Michael Elting, Lancaster  
James Ernest Garard, Columbus  
Patrick John George, Avon Lake  
Walter Paul Grady, Columbus  
Lee Alan Hanna, Southington  
John Frederick Hart, Berea  
Ernest Edward Helms, Akron  
Richard Brown Henfield, Cleveland  
Robert Calvin Johnson, Okeana  
Steven Edward Johnson, Columbus  
Charles Bradford Jones, Columbus  
Douglas Roy Kellogg,  
    Bougival, France  
Michael Harvey Kidwell, Columbus  
Gary Richard Loach, Findlay  
William Charles Marvin, Fairfield  
Don Joseph Massa, Columbus  
Timothy Ivan Miller, Cairo  
Jeffrey Scott Moore, Cincinnati  
David William Pottle, Enon  
James Francis Riley, Columbus  
Thomas Neal Riley, Paulding  
Roger Louis Sieling, Columbus  
Donald Lavern Smith, Jr., Conneaut  
Gail Elliott Spain, III, Hudson  
Glen Clarence Steyer, Fostoria  
Roger Allen Strawman, Garrettsville  
Lawrence Albert Westhoven, Jr.,  
    Liberty Center  
Dale Allen Wiseman, Columbus  
Amichay Zelcer, Givataim, Israel

### **Bachelor of Science in Metallurgical Engineering**

Six candidates

David John Blazek, Columbus  
Steven Earl Fisher, Lima

Thomas Eugene Roberts,  
    New Carlisle  
Robert Bradley Sikora, Euclid  
    B.S. (Ohio University)  
Michael Dean Strayer, Lima  
Gary Arthur Welch, Tulsa, Okla.

### **Bachelor of Science in Welding Engineering**

Four candidates

John Graham Johnston, III, Columbus  
John Michael Menhart, Aurora  
Fred John Schaidler, Parma  
Michael Eugene Schwartzwalder,  
    Reynoldsburg

### **School of Architecture**

#### **Bachelor of Science in Architecture**

Seventy-seven candidates

Magdy Mohamed Amer, Westerville  
Robert Lee Bates, Jr., Columbus  
George Domenic Berardi, Cleveland  
William Marlon Bernstein,  
    Brooklyn, N. Y.  
Walter Paul Betley, Jr., Columbus  
Roger Martin Bispeck, Girard  
Rex Owen Boise, Troy  
Jonathan Thresher Burbank,  
    Scottsville, N. Y.  
Barry Wayne Burd, Columbus  
Michael James Butler, Dayton  
Alton LaVerne Carver, Columbus  
Jeffrey Scott Cavener, Columbus  
Arthur George Cernoia, Parma  
Bruce Robinson Chase, Columbus  
David Paul Clary, Columbus  
Mark Ira Cohen, Columbus  
Antonio Colosimo, Columbus  
David Alan Craycraft, Columbus  
John Arthur Davis, Columbus  
Mark Randall Denny, New Lexington  
Donald Edward Dolle, Youngstown  
Richard Thomas Downing,  
    Cheswick, Pa.  
Jeffrey Allen Dupler, Westerville  
John Robert Erdlich, Gahanna  
Charles Neill Fazio, Solon  
Glen Arthur Funk, Newark  
Joel Giboney Gaertner, Findlay

Peter David Glazer, Norwalk, Conn.  
Kenneth Chester Grajek,  
    Orchard Park, N. Y.  
Peter Stormont Harsh, Fairborn  
Ted Maxwell Heldenbrand, Mansfield  
Richard Glen Howard, Columbus  
John Michael Jernejcic, Cleveland  
Patrick John King, Binghamton, N. Y.  
George Andrew Kirk, Newark, Del.  
Thomas Robert Knapp, Columbus  
David John Kupchella, Cleveland  
Ronald Jay Leach, Springfield  
Micheal James Lough, Westerville  
Robert David Loversidge, Jr.,  
    Little Silver, N. J.  
Dennis Michael Madama, Steubenville  
Edward Frank Meifert, Norwalk  
Dean Herbert Morr, Celina  
John Davidson Nipaver,  
    Charleroi, Pa.  
David Francis Norris, Painesville  
Leonard Lee Oberholtzer,  
    Auburn, Ind.  
Daniel Charles O'Harra, Gahanna  
Arvid C. Olson, Springfield  
Richard Scott Otto, Ottawa  
James Richard Platt, Bethel Park, Pa.  
Robert Edward Reed, Jr.,  
    West Carrollton  
Thomas Joseph Reis, Columbus  
Rudy Victor Ridberg, Byram, Conn.  
Thomas Jay Rinehart, Columbus  
James Raymond Rosing, Cleveland  
Thomas Wells Schaller, Newark  
Richard Lee Schlutz, Plantation, Fla.  
Kenneth Edward Schon, Cincinnati  
Robert Leland Schwager, Columbus  
Dennis Scott Sheets, Sunbury  
Tyrone Mark Shinaberry, Columbus  
Barry Steven Simowitz,  
    Fair Lawn, N. J.  
Jeffery Skapin, Euclid  
Philip Ernest Skirball, Sandusky  
Lawrence Haskell Skott,  
    Fair Lawn, N. J.  
Jeffrey Jon Snyder, Columbus  
Harrison Dorn Spicer,  
    Cuyahoga Falls  
James Edward Strausbaugh,  
    Columbus  
Rene Teig, Worcester, Mass.  
Eric Peter Thomas, Lima  
    B.A.  
Douglas Walter Traver,  
    Mt. Lebanon, Pa.  
Gary Alan Ungerer, Mansfield  
Thomas Edwin Ventura, Columbus  
Chris Thomas Vogelpohl, Curtice  
Randall Alan Woodings, Lorain

## College of Law

Dean: James C. Kirby, Jr.

Helen Anne Wright, Indiana, Pa.  
Robert Raleigh Zilch, Cincinnati

### Bachelor of Science in Landscape Architecture

Eighteen candidates

John George Berens, Cincinnati  
Thomas Charles Buss, Easton, Pa.  
Philip Mark Cohen, Toledo  
John Andrew Gliva,  
Indianapolis, Ind.  
Glenn David Haggstrom,  
Annandale, Va.  
Richard John Harmych, Amherst  
Michael Edward Herman, Toledo  
Richard Lee Hieshetter,  
Grand Rapids, Mich.  
Steven Arthur Huber, Ashland  
William Edward Jaskela,  
Lake Worth, Fla.  
Ralph Casimer Jerla, Conneaut  
Gary Allen Kurtz, Cincinnati  
Linn Harry Lindsey, Seven Hills  
Terry Lee Lowe, Columbus  
Mikel Neil McLaughlin,  
Reynoldsburg  
Peter Steven Pavlik, Seven Hills  
Charles John Sekerak, Parma  
Robert Andrew Skoog, Hillsboro

### Juris Doctor

One hundred and fifty candidates

Richard Spalding Amundsen,  
Cherry Hill, N. J.  
B.A. (University of Virginia)  
Charles Franklin Andrews,  
Olmsted Falls  
B.A. (Ohio Wesleyan University)  
William Robert Aycock,  
Grosse Ile, Mich.  
B.B.A. (Eastern Michigan  
University)  
Michael Allen Baer, Celina  
B.A.  
Dennis Nolan Balske, Cleveland  
B.S.Bus.Adm. (Bowling Green State  
University)  
Kenneth Lee Bandy, Beloit  
B.A.Jour.  
Donald Edward Barb, Westerville  
B.A.  
William Edward Barney,  
Wattsburg, Pa.  
B.A. (Pennsylvania State University)  
Peggy Louise Bennington, Cadiz  
B.A.  
Janice McKimmie Bernard, Cleveland  
A.B. (Smith College)  
Robert Nathaniel Black,  
Shaker Heights  
A.B. (University of Michigan)  
Gary Marc Blumenthal, Columbus  
B.S. (Miami University)  
Edward Joseph Bocik, Jr., Toledo  
B.A. (University of Notre Dame)  
Phillip Lynn Bonner, Cincinnati  
A.B. (Oberlin College)  
Anthony Boone, Memphis, Tenn.  
B.A. (Elmhurst College)  
Alan Bruce Boyd, Akron  
B.A.  
William Alan Boyd, Mowrystown  
B.A.A.E.  
Nancy Gutfeld Brown, Columbus  
B.A., M.A. (University of Chicago)  
Ronald Garland Burden, Cincinnati  
B.A. (University of Cincinnati)  
John Hamrick Burtch, Columbus  
B.A. (Denison University)  
Brian Lee Buzby, Columbus  
B.A.

Ronald Lee Cafferty, Columbus  
A.B. (Saint Benedict's College)  
Michele Maurizio Cheadle, Arcanum  
B.S. Bus. Adm. (Bowling Green State  
University)  
Kenneth Warren Christman, Mansfield  
B.A.  
Patrick Joseph Ciliberto, Wickliffe  
B.S.  
Edward Ray Claggett, Xenia  
B.S.Bus.Adm.  
Elizabeth Campbell Claggett,  
Columbus  
B.S.Ed.  
David Allen Clemens, Chagrin Falls  
B.A. (Oberlin College)  
Linda Moorman Connors,  
Parma Heights  
B.A. (Rosary College)  
James Patrick Conroy, Bay Village  
B.A.  
James Robert Cooper, Jr.,  
Montgomery, Ala.  
B.A. (University of Mississippi)  
Ronald James Corn, Columbus  
B.A. (University of Kentucky)  
Edwin Allen Coy, Pemberville  
B.A. (Capital University)  
Randy David Deering, Elm Grove  
B.A.  
William David Dickas, Gahanna  
A.B. (College of Saint Charles  
Borromeo)  
John Arlie Dicke, Wapakoneta  
A.B. (University of Michigan)  
Michael Shannon Duty, Portsmouth  
B.A. (Princeton University)  
George Marshall Ellis, Columbus  
B.A. (Ohio Wesleyan University)  
Richard A. Fisher, Napoleon  
B.S.Bus.Adm. (Bowling Green State  
University)  
Richard Elden Flax, London  
B.S.Bus.Adm. (Miami University)  
John James Flynn, Kent  
B.A. (Mount Union College)  
David Kerwin Frank, Covington  
B.A. (Miami University); M.A.  
Mark Dennis Frasure, Waynesville  
B.A. (Georgetown College)



Thomas Edward Friedman, Dayton  
B.A. (Miami University)

John W. Garland, New York, N. Y.  
B.A. (Central State University)

Carmine Mario Garofalo, Steubenville  
B.B.A. (Ohio University)

James Hale Gordon, Columbus  
B.A. (College of Wooster), M.Ed.,  
Ph.D. (Ohio University)

Donald Lynn Graham, Salisbury, N. C.  
B.A. (West Virginia State College)

Ronald Harvey Greenblatt,  
University Heights  
B.A.

Elsie Hall, Marietta  
B.A. (Marietta College)

Richard Craig Handel, Columbus  
A.B. (University of Michigan); M.A.  
(Michigan State University)

Michael Francis Haverkamp,  
Cincinnati  
B.B.A. (University of Cincinnati)

David Sterling Hay, Zanesville  
B.A. (Duke University)

Anthony Michael Heald, Delaware  
B.A. (Ohio Wesleyan University)

Robert Edward Hickey, Jr., Dayton  
B.S.Ed.

David William Hilkert, Akron  
B.A. (University of Akron)

Raymond William Hohenberger,  
Warren  
B.A.; M.A. (Harvard University)

Michael Hohn, Bowling Green  
B.A. (College of Wooster)

John William Hosterman, Columbus  
A.B. (Dartmouth College)

Jimmy Davis Hull, Kosciusko, Miss.  
B.S.Bus.Adm. (Alcorn Agricultural  
and Mechanical College)

Stephen Charles Hunter, Dayton  
B.S.

Richard Allen Jordan, Cincinnati  
B.S. Phys., M.S.

Charles Israel Kampinski,  
South Euclid  
B.A.

Larry Allan Karns, Carrollton  
B.A.

Donald Richard Keller, Bucyrus  
A.B. (Heidelberg College)

Richard Marvin Kerger, Ashtabula  
B.A.

Sandra Sue Kerrick, Huntley, Ill.  
A.B. (University of Illinois)

Richard Thomas Kettler, Canton  
B.A. (Kent State University)

Louis Harvey Khourey, Jr., Canton  
A.B. (University of Chicago)

Martin Fredrick Killingham,  
Jamaica, N. Y.  
B.A. (Morehouse College);  
M.A. (University of Toledo)

James Richard King, Granville  
B.A. (Miami University)

Tunney Lee King, Columbus  
B.A.

Edwin Lee Kirby, Jr., Columbus  
B.A. (Mount Union College)

Charles Howard Knight, Chester  
B.B.A. (Ohio University); M.B.A.

Daniel Vaughn Koppenhafer, Jr.,  
Fairborn  
A.B. (University of Notre Dame)

Edward Marshall Kress, Dayton  
B.S. (Miami University)

Ronald Azo Lauderdale, Columbus  
B.A.

Myron Dale Leeper, Jr., Columbus  
B.A. (College of Wooster)

Edward Paul Leibensperger,  
Columbus  
B.A. (Muskingum College)

Peter Samuel Lerner,  
Great Neck, N. Y.  
B.A. (Columbia University)

Stephen Lewis, Dayton  
B.A.

William Boyd Logan, Jr., Columbus  
B.A. (Princeton University)

Carroll William Lutz, Columbus  
B.A.

Douglas Michael Mancino,  
South Euclid  
B.A. (Kent State University)

Robert Edgar Mapes, Freeport, N. Y.  
B.A. (Ohio Wesleyan University)

Rodger Allen Marting, Ironton  
B.S.E.E. (Ohio University);  
M.B.A. (Harvard University)

John Bernie Mashburn, Xenia  
B.A. (Wright State University)

George Otis Mathewson, Toledo  
B.S.

Karl Edwin May, Hicksville  
B.A. (Ohio Northern University)

James Donald McNamara, Oxford  
B.A. (Miami University)

Richard Evert Melanko, Shadyside  
B.B.A. (Ohio University)

Robert Ewell Miles, Pittsburgh, Pa.  
B.A.

Steven Miller, Lima  
B.S. (United States Air Force  
Academy)

Glenn Edward Monroe, Paulding  
B.A. (Muskingum College)

William Stanley Morton,  
North White Plains, N. Y.  
B.S.

Donald Paul Muenz, St. Louis, Mo.  
B.S.

Philip Anthony Mullin, Jr., Kettering  
A.B. (Xavier University)

William Lucas Neal,  
Mountain View, Calif.  
B.S. (Miami University); M.B.A.

Jan Stuart Neiman,  
South Orange, N. J.  
B.S.Bus.Adm.

Beverly Ann Nelson,  
Philadelphia, Pa.  
B.A. (Franklin and Marshall  
College)

James Lee Nichelson, Lima  
B.S.Agr., M.S.

Ronald Benjamin Noga, Parma  
B.S.Bus.Adm.

Ronald Joseph O'Brien, Columbus  
B.A. (Ohio Dominican College)

Timothy Allen Oliver, Versailles  
B.S.Bus.Adm.

Kevin Jesse Osterkamp, Amber, Ia.  
B.B.A. (University of Iowa)

LeRoy Pernell, Brooklyn, N. Y.  
B.A. (Franklin and Marshall  
College)

Vittorio Eugenio Porco,  
Lansing, Mich.  
B.A. (Michigan State University)

Frederick Langdon Ransier,  
St. Albans, N. Y.  
B.A. (Central State University)

## College of Medicine

Dean: Henry G. Cramblett, M.D.

Kathleen Hayes Ransier,  
Huntington, W. Va.  
B.A. (Western College for Women)

Suzanne Kay Richards, Copley  
B.A. (Saint Mary's College, Indiana)

David J. Ricketts, Youngstown

Steven Roger Riemer, Beachwood  
B.B.A. (Ohio University)

John Robert Roach, Columbus  
A.B. (University of Notre Dame)

Steven Douglas Rowe, Columbus  
B.A. (Miami University)

Margaret Briggs Samuels, Carroll  
B.A. (Blackburn College)

Lyle Richard Saylor, Youngstown  
B.A. (Miami University)

Dale William Schiming, Parma  
B.S.Bus.Adm.

Stephen Robert Schmidt,  
Louisville, Ky.  
B.A. (Saint Louis University); M.A.

Charles Howard Schottenstein,  
Columbus  
B.A.

Glenn Joshua Schwartz, Youngstown  
B.A. (Miami University)

Michael Alan Shapiro, Cleveland  
B.A.

Warren James Sika, Garfield Heights  
B.A.

Jeffrey Foster Slavin,  
Shaker Heights  
A.B. (Ohio University)

David Ashton Snavelly, Toledo  
B.A. (University of Michigan)

Michael Spurlock, Dayton  
B.S.

Ronald Criss Stansbury, LaCarne  
B.A.

John Paul Steines, Jr., Warren  
B.I.E. (General Motors Institute)

Ira Bennett Sully, Columbus  
B.A.

Robert Hugh Taylor, Columbus  
B.A. (John Carroll University);  
M.Ed. (Kent State University)

Stephen Frederick Tilson, Delaware  
B.A. (Ohio Wesleyan University)

Louis Ernest Tosi, Martins Ferry  
B.A.

Jerry Van de Werken, Oaklawn, Ill.  
B.A. (Hope College)

Douglas Warren Vanscoy, Urbana  
B.A. (DePauw University)

Leslie Varnado, Jr., Magnolia, Miss.  
A.B. (Jackson State University)

Shelley Jan Venick, Dayton  
B.A. (Indiana University)

Barry Alan Waller, Bratenahl  
B.A.

James Cary Warner, Zanesville  
B.A. (Grove City College,  
Pennsylvania)

Robert Warren, Jr., Fairview Park  
B.S.Bus.Adm.

Philip Joseph Weaver, Jr.,  
Rocky River  
B.A. (Wittenberg University)

Sheldon Howard Weisberg,  
University Heights  
B.A.

Eugene Phillip Whetzel,  
New Salem, Pa.  
B.A. (Pennsylvania State University)

Robert Dean White, Columbus  
B.A.

Hugh Richard Whiting, Columbus  
B.A. (University of Michigan)

Lois Gayle Williams, Mansfield  
B.A. (University of California at  
Riverside); M.A. (Kansas State  
University)

Terrence Willingham, Cleveland  
B.A. (Ohio University)

Nicholas Brown Wilson, Columbus  
B.S. (United States Military  
Academy); M.B.A.

Lawrence Edward Winkfield,  
Jersey City, N. J.  
B.A.

Jeffrey L. Wright, Sabina  
B.S.

Laurie Ann Young,  
University Heights  
B.S.

John Frederick Zimmerman, Jr.,  
Canfield  
B.A. (Athenaeum of Ohio); M.A.

### Doctor of Medicine

One hundred and seventy-one candidates

Thomas Ray Alexis, Cambridge  
B.A. (Kent State University)

Robert Louis Andras, Springfield  
B.S.

Carl Franklin Ansevin, Youngstown  
A.B. (Youngstown State University)

Abner Harvey Bagenstose, III,  
Montgomery  
B.S. (Dickinson College)

Edward Joseph Baltes, Youngstown  
A.B. (Youngstown State University)

Marvin Lawrence Bame, Arlington  
B.A. (Manchester College)

Richard Lee Bauer, Ohio City  
B.A. (Valparaiso University)

Charles Vincent Bender,  
Detroit, Mich.  
B.S. (University of Detroit)

Michael Edward Bestic, Youngstown  
B.S. (Youngstown State University)

Nan Marie Bissell, Akron  
B.S. (University of Akron)

Louis Berry Brockmeier, Cincinnati  
B.A. (Williams College)

Lawrence Stephen Broda, Jefferson  
B.S. (John Carroll University)

Bryan Thomas Burney,  
Parma Heights  
B.A. (DePauw University)

Charles Ralph Bush, III, Youngstown  
A.B. (Youngstown State University)

Craig Blake Cairns, Tipp City  
B.S.

Emanuel Calenoff, Cincinnati  
B.A. (Northwestern University)

Ernest Sante Carducci, Steubenville  
B.S. (University of Notre Dame)

Darryl Robert Cherdron,  
Williamsville, N. Y.  
B.S.E.E. (University of Michigan)

Eric Mark Chevlen, Youngstown  
B.A. (Case Western Reserve  
University)

Sandra Kay Clapp, Euclid  
B.S.

Michael Lawrence Clark, Toledo  
A.B. (University of Detroit)

Douglas Frank Clough, Highland Heights  
B.A. (College of Wooster)

Mary Brozovich Coffindaffer, Toronto  
B.S.

Robert Thomas Colacarro, Cleveland Heights  
A.B. (Case Western Reserve University)

Gary Alan Colner, South Euclid  
B.A.

William Francis Conway, Kent  
B.A. (University of North Carolina)

William Edgar Copeland, Jr., Columbus  
B.A. (Ohio Wesleyan University)

John Warren Cox, New Carlisle  
B.S. (Wright State University)

Jeffrey Crawford, Sheffield Lake  
B.A. (Ohio Wesleyan University)

Carl Albert Culley, Jr., Parma  
A.B. (Case Western Reserve University)

Michael Terrence Czuba, Dayton  
A.B. (Kenyon College)

Richard Lee Damschroder, Gibsonburg  
B.S. (Bowling Green State University)

James Howard Daniel, Bellevue  
B.S. (Bowling Green State University)

Daniel Reif Daugherty, Delaware  
B.S. (Houghton College)

Steven Junior Dean, Lancaster  
B.S. (Ohio University)

Karen Marie Denwicz, Franklin Park, Pa.  
B.S.

Charles Alan Derrow, Columbus  
B.S. (University of Michigan)

Douglas Scott Dewar, Kenton  
B.A. (Miami University)

Mark Philip Diamond, Shaker Heights  
B.A. (University of Pennsylvania)

Dennis Michael Doody, Columbus  
B.S. (Ohio Dominican College)

Paul D. Dusseau, Toledo  
B.A. (University of Notre Dame)

James Lloyd Evans, Van Wert  
B.S. (Bowling Green State University)

Mary Papas File, Akron  
B.S. (University of Michigan)

Wesley Filipow, Parma  
B.S. (Ohio University)

Robert Lewis Fine, Cincinnati  
B.A. (University of Texas)

Robert Edward Finelli, Columbus  
B.S.

Oran Daniel Fox, Amberly Village  
B.S. (University of Cincinnati)

Jerry Alan Friemoth, Ottoville  
B.S.

Robert Mark Fumich, Lyndhurst  
B.A. (Case Western Reserve University)

Craig Rudolph George, Parma  
B.S. (University of Cincinnati)

Keith Eugene Girton, Columbus  
B.A. (Otterbein College)

Gerald Anthony Giurato, Canfield  
B.S. (University of Notre Dame)

Frank John Glavan, Cleveland  
B.S. (John Carroll University)

Janet Irene Gordon, Stow  
B.S. (University of Pittsburgh)

James Richard Goske, Parma  
B.S. (Ohio University)

Jerome Louis Gottschall, Dayton  
B.S. (University of Dayton)

Bruce William Graham, Lancaster  
B.A. (Grinnell College)

Gregory Mark Gray, North Canton  
B.S.

Ronald Eugene Grimwood, Jr., Mansfield  
B.S.

Thomas George Grossman, Omaha, Neb.  
B.A. (DePauw University)

Michael David Gunzenhaeuser, Toledo  
B.A. (University of Toledo)

Timothy Burr Hacker, Clyde  
B.S. (Ohio Northern University)

Geoffrey Kay Hammond, Hudson  
B.A. (Miami University)

Jon Michael Hansen, Cincinnati  
B.S. (University of Cincinnati)

Randall Coleman Hastedt, Dover  
B.A. (Albion College)

Glenn E. Hatfield, Columbus  
B.S. (University of Michigan)

James Lawrence Helmers, Dayton  
B.S. (University of Dayton)

Stephen David Helper, Lyndhurst  
B.A. (Miami University)

Susan Porter Helper, St. Clairsville  
B.S. (Ohio University)

David Edward Henderson, Cincinnati  
B.S. (Case Western Reserve University)

James Douglas Henson, Springfield  
B.A. (Miami University)

Eugene David Herrmann, Cincinnati  
B.S. (Georgetown University);  
M.A. (University of Michigan)

Harold Edgar Hestand, Columbus  
B.S.

Nancy Lee Hestand, Columbus  
B.S.

Paul Forrest Hine, North Canton  
B.S. (Purdue University)

John Phillip Jentes, Wooster  
A.B. (Taylor University)

Jo Ann Jones, Memphis, Tenn.  
B.S. (Memphis State University)

Frank Juhant, Cleveland  
B.S. (University of Notre Dame)

Jerome Edward Kaufman, Cleveland  
B.S.

Richard Joseph Kempert, Parma  
B.S. (University of Dayton)

Sanford Richard Kimmel, Scio  
B.S.

Harry Stephen King, Columbus  
B.S.E.E. (Stanford University);  
M.S., Ph.D.

Theodore Kent Krisher, Worthington  
B.S.

Robert Dale Kukla, Solon  
B.A. (Miami University)

Konstantin Kuschnir, Cleveland  
B.S. (Case Institute of Technology)

Margaret Mary Layde, Milwaukee, Wis.  
B.A. (University of Wisconsin);  
M.S. (Case Western Reserve University)

Charles Brooks Levin, Cincinnati  
B.A. (University of North Carolina)

John William Liedel, Toledo  
B.S. (Xavier University)

Agnes Alice Lina, Cleveland Heights  
B.A. (Case Western Reserve University)

Norman Kent Linton, Jamestown  
B.A. (Miami University)

Kathleen Driver Long, Lima  
B.A. (Manchester College)

Mary Ann Lunsford, Fairview Park  
B.S. (University of Michigan)

Gary Philip Luppens, Toledo  
B.A. (University of Toledo)

Larry Howard Lytle, Warren  
B.S. (Purdue University)

April Brandeberry Magnussen,  
Gallipolis  
B.S. (Marietta College)

Raymond Daniel Magorien,  
Woodfield  
B.S.

James Cleveland Maher, III,  
Shaker Heights  
B.S. (University of Notre Dame)

Daniel Richard Masys, Columbus  
A.B. (Princeton University)

Richard Eugene McCleard, Jr.,  
Columbus  
B.S.

Mark Colman McGannon, Cleveland  
B.S. (Xavier University)

Michael James Meagher, Columbus  
B.S.

Steven Mendelsohn, Cincinnati  
B.S.M.E. (Carnegie-Mellon  
University); M.S.M.E. (Stanford  
University)

Patrick David Meyer, Columbus  
B.A. (Miami University)

Donald Frederic Middendorf,  
Cincinnati  
B.S. (Xavier University)

John Ronald Mikolich, Youngstown  
B.A. (Johns Hopkins University)

Lynn Gasser Mikolich, Youngstown  
A.B. (Youngstown State University)

Robert Joseph Miller,  
University Heights  
B.S. (John Carroll University)

John Louis Millns, Jr., Toledo  
B.S. (University of Toledo)

Daniel Jeffrey Mountcastle,  
Louisville  
B.A. (College of Wooster)

Philip Francis Myers, Jr.,  
Cuyahoga Falls

Nicola Blagoy Nicoloff, Lorain  
B.S.

Michael Stephen Nupuf, Canton  
B.A. (Northwestern University)

Carl Dean Obenauf, Hazel Crest, Ill.  
B.S. (University of Illinois)

David Warren Olson,  
Cherry Hill, N. J.  
A.B. (Cornell University)

Lawrence Allen Pabst,  
Parma Heights

Michael Francis Para, Akron  
B.S. (Michigan State University)

Thomas Eugene Parker, Wadsworth  
B.A. (Denison University)

James Norman Parsons, Willoughby  
B.A. (Hiram College)

Howard Charles Pitluk, Cleveland  
B.A. (Northwestern University)

Robert Charles Prophater, Jr.,  
Greenville  
B.S.

Jeffery Jay Rabinovitz, Beachwood  
B.A. (Washington and Jefferson  
College)

Michael Eugene Ralston, Van Wert  
B.S.

Susan Elizabeth Rector, Sylvania  
B.A. (Ohio Wesleyan University);  
M.S.

Thomas Francis Reynolds, Toledo  
B.S. (Creighton University);  
M.S. (Northwestern University)

Karen Schulder Rheuban,  
Jamaica, N. Y.  
B.A. (University of Rochester)

Jurgen Karl Rieger, Dayton  
B.A. (Otterbein College)

Willem Kearns Rivenburg, Powell

Rosemary Roberts, Columbus  
B.S.

Patricia Grayson Robinson,  
Shaker Heights  
B.A. (Fisk University); M.S.

James Richard Rohrbaugh,  
South Euclid  
B.A. (Yale University)

Ralph Richard Romaker, Criderstown  
B.S.

Bennett Sanford Romanoff, Toledo  
B.A. (Miami University)

Jeffrey Warren Russell, London  
B.S. (Ohio University)

Charles Richard Ryan, Springfield  
B.A.

John Steven Sandy, Columbus Grove  
B.S.

Albert Joseph Sayed, Toledo  
B.A. (University of Colorado)

Stephen Denman Scarbrough,  
Fredericktown  
B.S.

Lynn Reiheld Schira, Orrville  
B.S.Ed.

George Michael Schmits, Cincinnati  
B.S. (University of Notre Dame)

David Lee Schumaker, Oregon  
B.S. (Capital University)

Robert Steven Schwartz, Cincinnati  
B.S. (University of Michigan)

Ira Shafran, Cleveland Heights  
B.S.

Henry Craig Slesman, Wooster  
B.A. (College of Wooster)

David Michael Smith, Steubenville  
B.A. (College of Steubenville)

Melinda Susan Snyder, Dayton  
A.B. (Miami University)

Connie Lou Speer, Columbus  
B.S.

David William Spriggs, Fremont  
B.S.

Richard John Sterba, Lakewood  
B.A.

Mark Russell Stevens, North Canton  
A.B. (Indiana University)

Dennis Patrick Sullivan, Springfield  
B.S.

Philip Eugene Sutherland, Findlay  
B.S. (Bowling Green State  
University)

Richard Loring Sutton, Euclid  
B.S.

Diane Tallo, Masury  
B.S. (Youngstown State University);  
M.S.

Michael Dean Tharp, Columbus  
B.A. (Ohio Wesleyan University)

Larry Wayne Thompson, Corbin, Ky.  
B.S.E.E. (University of Kentucky)

Ronald Edward Thompson,  
Avon Lake  
B.A. (Thiel College)

Michael Anthony Tranovich, Bellaire  
B.S.

Thomas John Trump, Lima  
B.A. (Miami University)

Stephen John Tymcio, Cleveland  
B.S. (University of Notre Dame)

Robert Charles Urbanic, Akron  
B.S. (University of Notre Dame)

John Edward Van Hooydonk,  
Rochester, N. Y.  
B.S.Ed., M.A. (State University of  
New York College at Buffalo)

Vernon William Vore, II,  
Chiquimula, Guatemala  
A.B. (Asbury College)

Alan Marvin Wagner, Cincinnati  
B.S. (Tulane University)

John Richard Walter, Warren  
B.S.

Bruce Dawson Weinlander,  
Springfield  
B.A.

Douglas Albert Wemmer,  
Battle Creek, Mich.  
B.A.

Richard Allen Wepsic, Akron  
B.A. (University of Rochester)

Susan Jeannette White, Akron  
B.A. (Albion College);  
M.S. (University of Michigan)

Joseph Paul Whitlatch, Columbus  
B.S. (University of Notre Dame)

Jonathan Keith Wilkin,  
Newcomerstown  
B.A., M.S.

Howard Frederick Wunderlich,  
Springfield  
B.S. (University of Kentucky)

### School of Allied Medical Professions

#### Bachelor of Science in Allied Health Professions

One hundred and twenty-one candidates

Teresa Ann Adkins,  
Huntington, W. Va.  
Barbara Jane Ark, Enon  
Barbara Amy Ashcraft, North Canton

Leslie Ann Bennett, Elyria  
Susan Sarah Best, Mentor  
Judith Grucella Blazewicz, Akron  
David Mark Bolinsky,  
Tonawanda, N. Y.

Suzan Gast Brown, Galion  
Lynn Deborah Burgmann, Parma  
Judith Lynn Butler, Wickliffe  
Michael William Callahan, Columbus  
B.S.

Dale Alan Claes, Shelby  
Susan Ann Clyde, Ironton  
John Anthony Cocumelli, Steubenville  
Christine Beth Conrad, Dayton  
Norman Wesley Cordell,  
Oklahoma City, Okla.

Michelle Susan Cronk, Mansfield  
Leta Elizabeth Davis, Columbus  
Polly McClain Dieter, Youngstown  
Marie Ann DiTomas,  
Cleveland Heights

Sandra Adkins Dyke,  
Huntington, W. Va.  
Sandra Kathryn Egan, Columbus  
Robert Paul Etter, Marietta  
Linda Joyce Fields, Cleveland Heights  
Herb Joseph Follas, Chesterland  
Christina Marie Forsythe, Cleveland  
Charles Arthur Francis, Jr.,  
Winterville

Ina Josephine Frisch, Upper Sandusky  
Rebecca Jo Garbett, McKeesport, Pa.  
Mary Beth Gardner, Cincinnati  
Paulette Bonsteel George,  
West Lafayette

Barbara I. Gladman,  
Broadview Heights  
Debra Faith Goodman, Columbus  
Anne Nathalie Green,  
East Meadow, N. Y.

Mary Jane Gultinan,  
Newport Beach, Calif.  
Jane Anne Hammond,  
Tonawanda, N. Y.

Susan Gwen Hartzler, Urbana  
Denise Lynn Heath, London  
Victoria Anne Heck, Kettering  
Marilyn Sue Hendrick, Leavittsburg

Judith Ann Henry, Mansfield  
Deborah Roe Holser, Columbus  
Linda Diane Hummel, Bloomdale  
Vicky Stark Humphrey, Columbus

Carol Suzanne Jackson, Mansfield  
Marilyn Jean Juhasz, Cleveland  
Linda Sue Justison, East Palestine  
Jennie Mae Kane, Cincinnati  
Kristen Wright Kennedy, Columbus  
Catherine Lee Kentrup, Cincinnati  
Catherine Ann Ker, Brecksville

Kristen Louise Klaiber, Marietta  
Gloria Jean Klay, Canton  
Elizabeth Ann Klein, Bellevue  
ZoeAnn Sterba Komaransky,  
Lakewood

Elise Ann Lillmars, Haverford, Pa.  
Cynthia Ann Lippert, Louisville  
Cynthia Louise Lofgren, Columbus  
Cheryl Lynn Lusin, Lakewood  
Thomas Charles MacAdam, Galion  
Barbara Lynn Maltz, Columbus  
Miriam Rita Margolis,  
University Heights

Michael George Marinecz, Novelty  
Richard Lane Marshall, Lancaster  
Kathleen Mary Marzine, Warren  
Marilyn Celia Mayer,  
Colorado Springs, Colo.

Janet Swain McCloud, Columbus  
Janice Booher McClung, Tiffin  
Susan Powers McCosker,  
Bradenton, Fla.  
Marlene Ann McCrate,  
Columbus Grove

Christine Irene McGough, Poland  
Barbara Lynn McMullen, Cambridge  
Paul Oscar Meloni, Barnesville  
Laurel Rae Najarian, Swanton  
Joyce Carol Napolz, Cleveland

Jennifer Lynn Otto, Frankfort, Ill.  
Martha Deborah Palguta, Euclid  
Nancy Richards Palmer, Coal Grove  
Janet Karius Partyka, Maple Heights  
Theresa Kay Poland, Cutler

Ellen Maria Quintilian,  
Baltimore, Md.  
Mary Agnes Rees, Columbus

Hilda Reyes, Zanesville  
Robert Richard Rice, Elyria

Sandra Louise Gonakis Ridhibhinyo,  
Euclid

Debra Mae Rosenberg, Flushing, N. Y.  
Allen Michael Schwartz, Fremont

Elizabeth Ann Shepherd, Akron  
Diane Sue Shuller, Cincinnati  
Diane Lynn Siegel, South Euclid  
Kimberly Ann Stanley, Baltimore  
John Leslie Smith, Bucyrus

Melva Jean Spangle, Berea  
Vicki Lynn Spear, Cincinnati  
Kenton Jon Spuehler, Columbus  
Joan Elizabeth Staggers, Cambridge

Jan Jefferson Stokes, Lancaster  
Patricia Anne Tefft, Toledo  
Sally Ann Terrell, Elyria  
Kathleen Theresa VanDame, Dayton  
Thomas George Vent,  
Upper Sandusky

Marcy Ann Vernon, Kettering  
 Mary Ann Vetter, Portsmouth  
 Shirley Ann Violand, Minerva  
 Linda Ann Virden, Troy  
 Kathleen Ann Vogel, Columbus  
 Joyce Marie Wade, Galloway  
 Margaret Lyle Walker, Springfield  
 David Urias Wallace, Woodsfield  
 Jacqueline Rose Weber, North Bend  
 Linda Kay Weber, Woodsfield  
 Marilyn Sue Weiland, Columbus  
 Diane Weintraub, Canton  
 Robin Ynid Weissman, Chicago, Ill.  
 Myra Colleen Williams,  
 Cleveland Heights  
 Donald James Williamson,  
 Murfreesboro, Tenn.  
 B.S. (Middle Tennessee State  
 University)  
 Jayme Sue Wilson, Worthington  
 Susan Jane Wittenauer, Kent  
 Sandra Jean Yost, Canton  
 Mary Carolyn Young, Rocky River  
 Pamela Kay Zellner, Bucyrus

#### Certificate of Nurse Anesthetist

Three candidates

Vivian Johnson Cole, Lancaster  
 Judy Ann Daus, Columbus  
 Roseann August Morrison, Zanesville

#### Certificate of Post Baccalaureate Circulation Technologist

One candidates

Diana Spencer Butler, Bowling Green  
 B.S.

#### Certificate of Post Baccalaureate Medical Technologist

One candidates

Joe Ching-Yuan Hsieh,  
 Kaohsiung, Taiwan  
 B.S. (Taiwan Provincial  
 Chung-Hsing University)

### School of Nursing

#### Bachelor of Science in Nursing

Two hundred and twenty-six candidates

Barbara Asmus Adams, Columbus  
 Darla Gay Allman, Cincinnati  
 Margaret Jenkins Alspach, Columbus  
 Mary Kay Armstrong,  
 Shaker Heights  
 Jane Loree Aukerman, Eaton  
 Brenda Faye Austin, Columbus  
 Laura Grooms Baker, Raymond  
 Norma Jean Baker, Rawson  
 Rebecca Louise Bankard, Dayton  
 Jane Marie Barbuscak, Lorain  
 Peggy Jean Barnum, Columbus  
 Ann Elizabeth Barrett,  
 East Cleveland  
 Elizabeth Jane Baxter, Columbus  
 Joan Beckham, Cincinnati  
 Margaret Anne Behan, Chagrin Falls  
 Diana Louise Benedick,  
 Cortland, N. Y.  
 Dorothy Ann Bennett, Somerset  
 Mary Ann Steiger Billiet, Columbus  
 Debra Bea Bing, Olathe, Kan.  
 Rosemary Blanchet, Columbus  
 Laurel Jean Bletcher, Shaker Heights  
 Pamela Marjorie Blodgette,  
 Fairview Park  
 Kay Ann Bobbitt, Columbus  
 Janice Ann Bolton, Venedocia  
 Ruth Irene Bope, Somerset  
 Lois Ann Bosken, Cincinnati  
 Christine Marie Bova, Cincinnati  
 Robert Bradley, Columbus  
 Pamela Starr Brooks, Columbus  
 Mildred Holliday Brown, Columbus  
 Susan Renee Burchfield, Columbus  
 Beverly Joan Burke, Columbus  
 Janine Lois Calosio, Joliet, Ill.  
 Christine Marie Campton, Grove City  
 Judith Mathewson Candelora,  
 Columbus  
 Debbie Ann Cannon, Grove City  
 Karen Jo Carothers, Niles  
 Carrie Shafer Chamberlain,  
 Rushsylvania  
 Mary Michele Charles, Zanesville  
 Joan Taylor Cikra, Columbus  
 Deborah Ann Coan, Clayton, Mo.  
 Paula Marie Cornell,  
 Baton Rouge, La.  
 Stephen Wesley Crabtree, Lorain  
 Linda Cheryl Croft, Delphos  
 Christine Marie Curtis, Rocky River  
 Barbara Jean Czelusta, Toledo

Rhonda Ervin Dailey, Racine  
 Vicki Lynn Davis, Hollywood, Fla.  
 Doreen Denega, Parma Heights  
 Maureen Elaine Dessecker,  
 New Philadelphia  
 Ellen Louise Dettra, Richwood  
 Cathy Ann Devitt, Amsterdam  
 Suzanne Barbee DeWoody, Columbus  
 Jean Mary Dickinson, Parma  
 Marguerite Mackert DiMarco,  
 Cleveland  
 Catherine Maurer Druckenmiller,  
 Wooster  
 Janice Louise Dull, Barberton  
 Pamela Michelle Edwards, Cleveland  
 Jane Eidemiller, Casstown  
 Miriam Eileen Einstein,  
 Vineland, N. J.  
 Penelope Bonte Ekegren, Columbus  
 Beverly Anne Elliott, Marion  
 Janet Tillie Elmerick, Cleveland  
 Michele Conrad Emmert, Columbus  
 Deborah Rose Engelhardt, Dayton  
 Christine Ewing, Worthington  
 Jack Wayne Fillingier, Columbus  
 Victoria Lynn Fleckenstein,  
 Cincinnati  
 Lorraine Sowers Fosnaugh, Columbus  
 Joyce Anderson Foster, Centerburg  
 Ellen Turner Fox, University Heights  
 Gail Maxsom Frankeberger,  
 Lewiston, N. Y.  
 Michele Ann Frantz, Sidney  
 Pamela Jean Freund, Columbus  
 Lynne Moser Genter, Columbus  
 Margaret Ann Gerds, Columbus  
 Lynne Mary Gibala, Youngstown  
 Virginia Lynn Gilmore, Wheelersburg  
 Margaret Ruth Gleichert, Barberton  
 Debora Kay Goldberg, Cincinnati  
 Sandra Ilene Goldman,  
 Shaker Heights  
 Paula Jo Gonot, Bridgeport  
 Rebecca Lowe Goske, Delaware  
 Mary Leona Gritzmaker, Troy  
 Diane Miriam Grube, Rocky River  
 Barbara Jo Hagedorn, Cincinnati  
 Jennifer Frances Hahn, Worthington  
 Grace Loftus Halas, Lancaster  
 Robin Elizabeth Hall, Columbus  
 Victoria Blunk Hammond, Columbus  
 Karen Sue Hand, Columbus  
 Mary Susan Hansen, Akron  
 Patricia Ann Hemm, Ridgefield, Conn.  
 Linda Sorrell Heselton, Columbus  
 Lynne Beth Hibshman,  
 University Heights  
 Laura Jean Hiller, Kenton  
 Austine White Hoffman, Columbus

Carol Jean Hornbeck, South Vienna  
Deborah Heiple Hoy, Columbus  
Danny Duane Huffman, Rockport  
Mary Martha Hughes, Sandusky  
Margaret Ann Hutchison,  
Pittsburgh, Pa.

Ellen Mary Hyslop, Brecksville  
Peggy Jo Jenkins, Cincinnati  
Julie Marie Joliat, Uniontown  
Linda Marie Jurkovich, Westlake  
Marsha Jean Kane, Defiance  
Sandra Kay Keesee, Jackson  
Judith Ann Kilmer, Oak Harbor  
Karen Kay King, Swanton  
Sue Ellen King, Amherst  
Penny Kay Kinkelaar, Fairview Park  
Laura Jeanne Kitaoka, Sylvania  
Carolyn Hanson Koenig, Worthington  
Candace Lynn Kolacz, Newton Falls  
Margaret Quinn Krach, Columbus  
Debra Marie Kreuz, Dayton  
Charline Dolores Kuhn, Tiffin  
Helene Neckrich Lampl, Girard  
Jane Ellen Lapp, Chillicothe  
Susan Jo Laubenthal, Perrysburg  
Mary Therese Leben, Cleveland  
Constance Elaine Lett, Orient  
Susan Beth Liddy, Columbus  
Mary Rita Lindisch, Columbus  
Denise Long, Strongsville  
Anne Elizabeth Loomis, Akron  
Deborah Sue Lucas, Hammond, Ind.  
Patricia Anne Machovec, Aurora  
Paula Kyle Mack, Norton  
Kathryn Ryan Mardis, Columbus  
Christine Milan Marschinke, Columbus  
Beatrice Emack Mason, Columbus  
Dianne Maxwell, Dayton  
Michele Hope McClaffin, Wakeman  
Robyn Keck McCreary, Marion  
Barbara Rae McLaughlin, Bay Village  
Barbara Ann McLeod, Northfield  
Beverly Annette McVay, Columbus  
Cynthia Lee Meeker, Londonderry  
Carolyn Baden Meyer, Defiance  
Vicki Redden Miller, Columbus  
Darnelia Moller, Cincinnati  
Sandra Lynne Mosbacher,  
Williamsburg  
Jane Ann Moseley, Columbus  
John Edward Nawalanic, Dublin  
B.A.  
Linda McNew Nelson, Galion  
Judith Barbara Nozling, Columbus  
B.S. in Ed. (Ohio Dominican  
College)

Deborah Susan Nystrom, Mentor  
Danielle Martha Olszewski, Parma  
Maria Orłowski, Brunswick

Victoria Lynn Orr, Worthington  
Linda Margaret Oxley, Columbus  
Karen Louise Packard, Columbus  
Judith Elaine Parsley, Ironton  
Evelyn Amellia Partridge, Columbus  
Twila Gibson Paul, Columbus  
Michael Gerard Perron,  
New Middletown

Bonnie Lou Perry, West Unity  
Margaret Bayly Petrosky, Columbus  
Deborah Kay Pfarr, Columbus  
Debra Ellen Phillips, Ravenna  
Eleanor Dolloff Phillips, Columbus  
Martha Seares Pitzer, Columbus  
Janet Louise Pollis, Cincinnati  
Julie Kay Ralston, Marion  
Glenna Rose Ramser, Powhatan Point  
Laura Adele Rath, Columbus  
Mary Margaret Rayman, Lima  
Pamela Sue Reakoff, Olmsted Falls  
Susan Dempsey Reif, Parma  
Nan E. Repasky, Canton  
Marcia Anne Resing, East Liverpool  
Linda Lee Rhea, Strongsville  
Jennifer Jane Roberts, Worthington  
Leslie Mildred Roush, Lima  
Kyle Ann Rozance, Euclid  
Margaret Dale Sato, Columbus  
Ann Louise Sauer, Columbus  
Betty Ann Schaefer, Toledo  
B.Educ. (University of Toledo)  
Mary Ann Kender Schmitt,  
Mayfield Village

Karen Ann Schueller, Tallmadge  
Donna Jean Sell, Columbus  
Katherine Ann Seseck, Lorain  
Margaret Ellen Shaver, Newark  
Eileen Ann Shirer, Brecksville  
Nancy Ann Sinclair, Columbus  
Barbara Ann Sininger, Bryan  
Mary Gregory Sinks, Columbus  
Cynthia Westfall Smith, Greenville  
Karen Elaine Smith, Springfield  
Pamela Ann Smith, Cincinnati  
John Douglas Snively, Minerva  
Frances Jo Snyder, Shelby  
Anastasia Marie Spinelli, Hamilton  
Bonnie Ann Sprouse, Graytown  
Pamela Sue Spyker, Ottawa  
Deborah Alexander Stanley, Columbus  
Linda Kay Stanley, Athens  
A.B. (Ohio University)

Lisa Robin Stanley, Seaford, N. Y.  
Valerie Lee Stephenson, Cincinnati  
Carol Young Sterba, Columbus  
Linda Sue Stolarski, Columbus  
Julie Ann Stout, Westerville  
Kathleen Marie Sutton, Convoy  
Lucy Ann Tait, Columbus

Joan Marie Terveer, Alliance  
Elaine Sandler Tetelman,  
South Euclid

Gloria White Thompson, Findlay  
Rose Marie Thrasher, Urbana  
Carlene Diana Turner, Lancaster  
Nancy Ann Turner,  
University Heights

Joan Frances Twiss, Shelby  
Annette Levy Upton, Solon  
Ellen Marie Veselenak, Byesville  
Mary Anastacia Volosin, Columbus  
Constance Gaertner Vukin, Columbus  
Bonnie Benedict Waddell, Newton, Pa.  
Wanda Kay Warren, Findlay  
Merrily Robbins Wholf, Columbus  
Shoshanna Esther Williams,  
Columbus

Claudia Ann Wolfe, Liberty, Ind.  
Kathy Sue Woods, Martins Ferry  
Marsha Belton Yawn, East Cleveland  
Cynthia Buehler Yund, Cincinnati  
Karen Marie Yureak, Cleveland

## College of Optometry

Dean: Frederick W. Hebbard

### Doctor of Optometry

Forty-nine candidates

Joseph Francis Antochow,  
Maple Heights

Kenneth G. Baker, Wyoming, Mich.

Paul Alan Benzing, Cincinnati  
B.S.

David Paul Caplan,  
Mt. Clemens, Mich.  
B.S. (Michigan State University)

Willie H. Childress,  
South Charleston, W. Va.

Mark Dale Cox,  
South Charleston, W. Va.

Steven Jeffrey Curtis, Timberlake  
B.S. (Marietta College)

Frank Salvatore DeCaria,  
Weirton, W. Va.  
B.A. (Saint Vincent College); B.S.

Bart Vincent DePascale, Youngstown

Gerald Kaye Dolan, Andover

Thomas Dean Freed, Findlay  
B.S.Agr.

Florencia Garcia, Warren

Thomas Daniel Gilbert, Uniontown

Frederic Troy Gordon, Madison, Wis.

W. Thomas Green, Cambridge

Allen Dale Griffiths,  
Washington C. H.  
B.S.

Michael Kelly Harkins,  
Pleasant Ridge, Mich.

Lonny Weslee Harrison,  
Pittsburgh, Pa.  
B.S.

Charles Keith Harvey, Oil City, Pa.  
B.A. (Pennsylvania State University)

Robert Michael Helmer, Columbus  
B.S.

James Michael Hermann, Toledo  
B.S.

Paul Allen Hoffman, Grove City  
B.S.

Stephen A. Hoverman, Reynoldsburg  
B.B.A. (Ohio University)

Andrew Joseph Kender, Dayton

James William Kershaw, Kirtland

Stephen Warren Kimball,  
Nashua, N. H.

Kenneth James Kolovich,  
Cleveland Heights

Dennis Paul Lauck, Cincinnati  
B.S. (Xavier University)

Allan Israel Marcus, Shaker Heights  
B.S.

James W. Mason, Waterford

James Brian Murphy, Sarasota, Fla.  
B.A. (Florida State University)

Donald Alan Perlmutter, Toledo  
B.S.

John Randolph Price, Jerusalem  
B.S. (West Liberty State College)

William Raymond Reader,  
Howell, Mich.

Thomas David Redick, Spencerville

Steven LeRoy Rogers, Kenton  
B.S.

Joseph Jeffrey Rudinsky,  
Uniontown, Pa.

Roger Lee Saneholtz, Montpelier

Gray William Sass, Toledo  
B.S. (Ohio University)

Jeffrey Eric Schultz,  
University Heights  
B.S.

Terry Rue Schultz, Falconer, N. Y.  
B.S.

\*James Earl Sheedy, Alger, Mich.  
B.S. (Wayne State University)

David Darnell Smith, Stow  
B.S. (Manchester College)

David Paul Smits, Kimberly, Wis.

\*Glenn Roberts Thayer, Defiance

Alan Joseph Tolcin, Valley View

Mark B. Vallo, Minster

Martin Keith Windon,  
West Milford, W. Va.

Keith Allen Woodard, Springfield

## College of Pharmacy

Dean: Lloyd M. Parks

### Bachelor of Science in Pharmacy

Seventy-seven candidates

Thomas William Arkwright,  
Youngstown

Bruce Alan Berger,  
Cleveland Heights

Rene Paul Bertheaud, Columbus

Conley James Boyd, Massillon

Timothy Lee Braden, Columbus

Dean Paul Brill, Worthington

George Alfred Clark, Columbus

Joseph Clyde Clark, Oak Hill

Robert Andrew Crunelle, Columbus

Robert Bernard Curren, Bay Village

Michael Patsy DeChristofaro, Niles

Rudolph Dipold, Akron

B.S. (University of Akron)

Sara Lou Dowling, Proctorville

Gregory Lee Duche, Warren  
B.S.

James Wilson Easley, Columbus

Laura Davis Enlow, Columbus

John Andrew Eppich, Columbus  
B.S. (John Carroll University)

William Eugene Fagan, Lancaster

Randall Steven Frederick, Dunkirk  
B.S.

Richard Alan Gray, Columbus

John William Griffiths, Martins Ferry

Barry Alan Grossman, Columbus

Gene Louis Gunselman, Elyria  
B.S. (Ohio University)

Spencer K. Hamilton, Jefferson

James Henry Harris, St. Clairsville

Thomas Duke Hesson, Columbus

Robert Jay Hirsh, Columbus

Patricia Ann Hobbs, Dayton

David Louis Isaacs, Cleveland

Rebecca Hoffman Jones, Columbus

Robert Ward Kidston, Canfield

\* Also Master of Science, Graduate School



## College of Veterinary Medicine

Dean: C. Roger Smith

Rudolph Alan Kozan, Euclid  
Stephen Bernard Krinke, Bellevue  
Roderick Scott Lindsay, Columbus  
Vivian Jean Maggi, Columbus  
William Michael Maravy, Lancaster  
Dale Richard Martens, Columbus  
Kenneth Lee Martin, Cincinnati  
Ronald Frank Maxhimer, Columbus  
B.S.  
Mark Edward May, Sandusky  
Robert Joseph McClaskey, Columbus  
B.S.  
David James McLean, Richfield  
Judy Kay McQuinn, Middletown  
John Clemens Meyer, Minster  
Wilton Philip Moehle, Jr., Columbus  
Roger Dale O'Dell, Sciotoville  
Cecelia Sokol Parise, Youngstown  
Michael Parrett, Grove City  
Dennis Harold Penn, Columbus  
William B. Pfahl, Jr., Grove City  
Suzette Marie Pierard, Steubenville  
B.S. (Bowling Green State  
University)  
Ronald Gene Poling, Columbus  
B.S. (Eastern Kentucky  
University)  
Michael Francis Powell, Waynesville  
Gregory Protich, Akron  
William Martin Ronci, Jr., Struthers  
Lisa Blocher Salzer, Columbus  
Corinne Eve Shaevitz, Columbus  
Joseph Edward Sheliga, Jr.,  
Cleveland  
Jon Randall Shrivvers, Malta  
John Anthony Siciliano,  
Rochester, N. Y.  
Morry Bruce Snyter, South Euclid  
Daniel Edward Solak, Columbus  
Daniel Carmen Spadaro,  
Fayetteville, N. Y.

Raymond Lawrence Spassil,  
Youngstown  
Gabriel Steiner, Columbus  
Edward Harry Stolarski, Jr.,  
Westerville  
B.S.  
Roger Lewis Stroup, Columbus  
Suzanne Morgan Tansky, Logan  
Renée Janine Thomas, Warren  
Lois Virginia Thorp, Seaman  
Nicholas Anthony Votolato, Canton  
Robert Lee Waits, Lancaster  
Forrest James Whalen, Wickliffe  
William Thomas Winsley, Zanesville  
Nancy Ann Womeldorph, Newark  
David Norman Yamauchi, Columbus  
B.A. (Kenyon College)  
Jim Charles Yavorcik, Poland

### Doctor of Veterinary Medicine

One hundred and nineteen candidates

Charles Edward Acton, Jr., Parma  
B.A. (Kenyon College)  
Norman Kent Ames, Wilmington  
Michael B. Auslander, Bardstown, Ky.  
B.S. (University of Kentucky)  
John Milton Bach, Belle Center  
B.S.Agr.  
David William Ballinger, Hicksville  
B.S.Agr.  
Timothy Dail Banker, Morrow  
B.S. (Bowling Green State  
University)  
Roger L. Banta, Belle Center  
B.S.Agr.  
Linda Dale Barnett, Pikeville, Ky.  
Robert Charles Barney, Columbus  
B.S., M.S.  
James Alton Beamer, Canton  
B.S.Agr.  
Richard T. Bell, Shaker Heights  
B.S. (The Citadel)  
Marion Walter Belue,  
Brownsville, Tex.  
B.A. (Miami University)  
Joseph Henry Boecker, Minster  
John David Bonagura, Clifton, N. J.  
B.S.Agr.  
David Charles Boyer, Ashland  
B.S.Agr.  
Albert Leonard Brainard, Columbus  
Gary Steve Brent, Kent  
B.Sc. (Kent State University)  
Allan Sadler Brubaker, Eaton  
B.S.  
Thomas Preston Burgess,  
Oak Hill, W. Va.  
B.S.Agr. (West Virginia University)  
Richard Lee Chamberlain, Poland  
Robert Clifford Collett,  
New Burlington  
Laurence Keith Cook, New London  
B.S.Agr.  
John William Cougill, Westlake  
B.S.Agr.  
G. Jay Crissman,  
South Charleston, W. Va.  
B.S.Agr., M.S. (West Virginia  
University)  
Thomas Leo Cropper, Maysville, Ky.  
John Edward Dowler, Vienna, W. Va.  
B.S.Agr. (West Virginia University)

John Michael Duszak,  
Wilmington, Del.  
B.A. (University of Delaware)

Lawrence David Dysert, Summerfield

Thomas Emmett Ebenhack, Circleville

John Francis Edwards,  
Kingston, N. H.  
B.S.Agr. (University of New  
Hampshire)

Gary Nicholas Evanich, Minerva  
B.S.Agr.

Verne James Fairhurst, Mogadore  
B.S.Agr.

Roger Willis Finkenbine, Anna  
B.S. (Capital University)

Vicky Lynn Fogelman, Mentor

Raymond Maurice Fournier,  
Steubenville  
B.S.Agr.

David Irwin Frizzell, Spring Valley

James Robert Galvin, Toledo

Diane Kay Gerken, Columbus  
B.S. (Capital University)

Douglas Lane Gibson, New Carlisle

Lawrence James Giebel, Cincinnati

Billy Edison Harper, Jamestown

Robert Paul Harper, Columbus  
B.A.

James Michael Harvey, Cincinnati  
B.S. (Ohio University)

Timothy Lee Hayes, Quaker City  
B.S.Agr.

Gregory Brent Heisey, Newark

Tye Jan Henschen, Bowling Green

John Oliver Hornfeck, South Euclid

David Eldon Houx, Ada

David Jacobs, Wheaton, Md.  
B.S. (Bucknell University)

Robert Raymond Jerbic, Dayton

Paul Leland Jones, Dallas, Ore.

Karen Valerie Karaffa, Trenton, N. J.

Harold Steven Kaser, Saginaw, Mich.  
B.S. (Muskingum College); M.S.

Charles Lawrence Kidder,  
Sharpsburg, Ky.

David Alexander Kinleyside, Jr.,  
Cortland

Jerome Louis Klinger,  
Harrison, N.Y.  
B.S.Agr.

Clayton Charles Kowar,  
Parma Heights

Thomas Albert Krall, Avon

Gary Robert Krone, Elyria  
B.S.Agr.

Cynthia Jean Kuder, Seville

Gail Ann Kunkle, Perry

Gary Charles Lantz, Waterloo, Ia.

William H. Leed, II, North Canton  
B.S.Agr.

Timothy Thomas Lewis, Maineville

Ronald Lee Mahan, Columbus  
B.S.Ed. (Bowling Green State  
University)

Marjorie Catherine McMillan,  
Medford, Mass.

Paul Parks Mechling, II, Lancaster  
B.S.Agr.

Robert Francis Messenger,  
Charlotte, N. C.

Donn Carl Miller, Columbus

Jerry Woodrow Miller, Cincinnati

Thomas Alan Miller, Cincinnati  
B.S.Agr.

Alan George Moore, Norwalk  
B.S.Agr.

Charles Albert Moore, Kenton

David Lee Morris, Columbiana

Paul Gary Morris, Columbiana

Michael Paul Myers, Harpster

Charles Richard Nelson,  
Washington C. H.

Diane Sutherland Nelson,  
Sarasota, Fla.  
B.S. (University of Florida)

Nicholas Joseph Neutzling, Pomeroy  
B.S. (Ohio University)

Robert Harold Partridge, Oberlin  
B.A. (DePauw University);  
M.A. (Oberlin College)

Rita Erika Pencis, Hubbard

Jenifer Preston, Columbus

Delano Lightner Proctor, III,  
Lexington, Ky.

Ralph Fredrick Redden,  
Richmond, Ky.

Fred John Schlecht, Youngstown  
B.S. (Youngstown State University)

Richard James Schumann, Enon  
A.B. (Wilmington College)

Kenneth Lee Schunk, Cincinnati

Paul Edwin Shockey,  
Ravenswood, W. Va.  
B.S.Agr. (West Virginia University)

Michael Neal Sims, Elizabeth, W. Va.  
B.S.Agr. (West Virginia University)

Dwight Victor Skidmore,  
West Liberty

Gary Richard Smith, Cincinnati

Patrick Carson Smith, Waynesville  
B.S.Agr.

David Lee Snyder, Arcanum  
B.S.Agr.

Robert Allen Snyder, Greenwich

David George Soehnen, Navarre  
B.A. (Walsh College)

John Lynn Spiker, Weston, W. Va.  
B.S.Agr. (West Virginia University)

John Alan Stick, Massillon

William James Stokes, Dresden  
B.S. (Muskingum College)

John Milton Strasser, Troy

Timothy Blair Swango, Columbus  
B.S.

Carl Stephen Swank, Troy  
B.S.Ed. (Miami University)

Joseph Tabery, Fremont

Thomas William Terbeck, Cincinnati  
B.S. (University of Cincinnati)

Dennis Lee Thompson, Toledo  
B.S. (University of Toledo)

Lynn Ann Thuma, Lima

Philip Edward Tinsley, Jr., Kettering

David Crawford Tollon,  
Riviera Beach, Fla.  
B.S. (University of Miami)

John Ewing Trego, Worthington

Alexander Hamilton Watts, Kettering

Eric Steven Wayne,  
Kew Gardens, N. Y.  
B.S.Agr. (Cornell University);  
A.A.S. (State University of New  
York Agricultural and Technical  
College at Farmingdale)

Paul Wayne Webb, Sidney  
B.S. Agr.

Linda Lee Werner, Wapakoneta

Michael David Whitacre, Xenia  
B.S.Agr.

Bruce Donald Wingerter, Carrollton

Robert Graber Wirt, Ravenna  
B.A. (Hiram College)

Arthur Wohlfeiler, South Euclid

Richard David Wulff, Cincinnati

Steven Edward Young, Loudonville

Robert Michael Zwerner, Miami, Fla.  
B.S. (Florida State University)

## Graduates With Honors

### Summa Cum Laude

Ilene Abramovitz, University Heights  
 Deborah Allen Ahern, Newark  
 Ariene Sue Ascherman, Columbus  
 Jane Loree Aukerman, Eaton  
 Antoinette Mary Baccanti, Columbus  
 William Hedges Ballard, Columbus  
 David Milton Batteiger, Columbus  
 George Michael Bayer, Columbus  
 Bruce Stephen Beyer, Columbus  
 Joanne Marie Bilsing, Gallion  
 Ella Barbara Bittikofer, Westlake  
 Richard Alan Black, Worthington  
 Hugh Blocksidge, Cleveland  
 Janet Lippencott Boggs, Irwin  
 Maureen Jane Bonace, Mansfield  
 Sylvia Chesla Bower, Columbus  
 Lowell Thomas Bowers, Greenview  
 William Alan Boyd, Mowrystown  
 Sharon Anne Boylan, Amherst  
 Robert Mark Boysel, Ridgeway  
 Mark Allan Brown, Flushing  
 Nancy Gutfeld Brown, Columbus  
 John Hamrick Burch, Columbus  
 Robert Spencer Chambers, Belpre  
 Meredith Ann Charles, Columbus  
 Michele Maurizio Cheadle, Arcanum  
 Cheryl Barczak Chojnacki, Columbus  
 David Allen Clemens, Chagrin Falls  
 Sue Gathergood Colahan, Columbus  
 John Sarkis Coury, Canton  
 Kenneth Richard Cox, Cincinnati  
 Edwin Allen Coy, Pemberville  
 Charles Richard Craiglow, Louisville  
 Gary Scott Cullen, Lorain  
 Timothy Lee Deeter, Greenville  
 John Robert Deller, Jr., Cincinnati  
 Jean Mary Dickinson, Parma  
 Christopher Philip Doane, Munroe Falls  
 Richard McClain Dodsworth, Columbus  
 John Hall Donaldson, New London  
 Kenneth Joseph Doseck, Botkins  
 James Cloy Duff, Youngstown  
 Jerry Zail Edelman, Lima  
 Eloise Wright Egbert, Columbus  
 Jeffrey Stuart English, Chagrin Falls  
 Lynn Sappie Esselstein, Alliance  
 Richard Allen Fankhauser, Dundee  
 Margaret Benedict Fawcett, Utica  
 David Lewis Feldwisch, New Knoxville  
 Phyllis Rae Fetzer, Medina  
 Margit Alice Fischer, Columbus  
 Richard Elden Flax, London  
 Joyce Anderson Foster, Centerburg  
 Sally Louise Fox, North Bellmore, N. Y.  
 Mark Dennis Frasure, Waynesfield  
 Irvin Joseph Gerling, Bradford  
 Karen Frances Goldstein, Cleveland Heights  
 Eric Dale Greer, Columbus  
 Lisa Ann Haines, Columbiana  
 Elsie Hall, Marietta  
 Janine Vivien Haloostock, Columbus  
 Penny Gardner Halterman, Columbus  
 Richard Craig Handel, Columbus

Catherine Gail Hannaway, Cambridge  
 Michael Lynn Harding, Trotwood  
 Lois Marie Hartzler, Smithville  
 Michael Francis Haverkamp, Cincinnati  
 Barbara Elaine Herring, Norwich, Conn.  
 Melissa Tyznik Hill, Columbus  
 Ross Dillon Hollinger, Lima  
 Dale Andrew Hruska, Parma  
 Heinz Erhard Ickert, Mansfield  
 Alicia Josefina Iglesias, Worthington  
 Christine Marie Johnson, Hiram  
 Doreen Claire Johnson, Cuyahoga Falls  
 Robert Calvin Johnson, Okeana  
 Diane Lenox Johnston, Grove City  
 Charles Bradford Jones, Columbus  
 Linda Sue Justison, East Palestine  
 Charles Israel Kampinski, South Euclid  
 Larry Allan Karns, Carrollton  
 Denise Louise Kelley, Columbus  
 James Richard King, Granville  
 Tunney Lee King, Columbus  
 Daniel Vaughn Koppenhafer, Jr., Fairborn  
 Amy Susan Krupko, McDonald  
 Paul Carl Lange, Jr., Coraopolis, Pa.  
 Edward Paul Leibensperger, Columbus  
 Patrick Michael Lenahan, Cincinnati  
 Constance Elaine Lett, Orient  
 David Earl Lieser, Dover  
 James H. Liu, Middleburg Heights  
 Lawrence S. Lockshin, Canton  
 Frances Pace Lohrman, Lincoln, Neb.  
 Kenneth Donald Long, North Olmsted  
 Douglas Michael Mancino, South Euclid  
 Nikki Jean Mann, Columbus  
 Thomas Kent Manning, Charleston, W. Va.  
 Randall Gene Martz, Columbus  
 Paul Michael Marusiak, Akron  
 William Charles Marvin, Fairfield  
 Karl Edwin May, Hicksville  
 Barry Jay Mazer, Birmingham, Ala.  
 Elizabeth Ann McCullough, Ames, Ia.  
 Christopher John McGath, Columbus  
 Marjorie Catherine McMillan, Medford, Mass.  
 Stephen Wilson Meagher, Columbus  
 Linda Lou Meeder, Columbus  
 Gary Gerard Meloeny, Birmingham, Mich.  
 Iris Ruth Mendlowitz, McKeesport, Pa.  
 Christopher Richard Meyer, Columbus  
 Patricia Jo Meyer, Manchester  
 Robert Ewell Miles, Pittsburg, Pa.  
 Diane Louise Miller, Dover  
 Christian John Mixer, Columbus  
 Robert Lawrence Mole, Columbia Station  
 Rema Marie Monaco, Columbus  
 Ralph Bernard Monnett, Jr., Columbus  
 Gregory Dean Moreland, Grafton, W. Va.

Donald Paul Muenz, St. Louis, Mo.  
 Bonita Polosky Murdock, Columbus  
 William Lucas Neal, Mountain View, Calif.  
 Roberta Irene Nickol, Cincinnati  
 Thomas Lee Noland, Ridgeville  
 Carl Dean Obenauf, Hazel Crest, Ill.  
 Victor Omelchenko, Rochester, N. Y.  
 Robert Harold Partridge, Oberlin  
 Michael Allen Patterson, Ashland  
 Jane Ann Pekarek, Cleveland  
 Linda Lee Pennington, Lima  
 Kristine Jean Peters, Chillicothe  
 Linda Marie Podojil, Columbus  
 Julia Ann Poirier, Columbus  
 William James Ralph, Delaware  
 Connie Jean Rase, Convoys  
 Karen Schulder Rheuban, Jamaica, N. Y.  
 Suzanne Kay Richards, Copley  
 Mary Ann Rittman, Munroe Falls  
 Peggy Mercer Roberts, Heath  
 Mary Lynn Robertson, Ashland  
 Lawrence F. Rubin, Columbus  
 Anne Elizabeth Rusnak, Parma  
 Arthur Daniel Saby, Cleveland  
 Patricia Lou Schein, Williamsport  
 Marc Leonard Schmidt, Cincinnati  
 Stephen Robert Schmidt, Louisville, Ky.  
 Donald James Schonhardt, Reynoldsburg  
 Kenneth Lee Schunk, Cincinnati  
 Diane Mary Schwegman, Coldwater  
 Sandra Jean Schofield, Windsor  
 James Raymond Scott, Chillicothe  
 Lorraine Anne Shacklett, Waukegon, Ill.  
 Patricia Ann Shaffer, Upper St. Clair, Pa.  
 James Earl Sheedy, Alger, Mich.  
 Nancy Taylor Shepherd, Newark  
 Jon Randall Shrivvers, Malta  
 Deborah Joy Shubouf, Columbus  
 Carol Lois Shuttleworth, Columbus  
 Bonnie Sue Siferd, Elida  
 Norman Randolph Simpson, Berea  
 Michael Francis Singer, Defiance  
 Michael Lee Snider, Columbus  
 Michael Lee Snyder, Loudonville  
 Vicki Lynn Spear, Cincinnati  
 Nancy Lou Sponseller, Columbus  
 Joan Elizabeth Staggers, Cambridge  
 Ronald Criss Stanbury, Lacarne  
 David Harry Starkey, Dublin  
 Mary Marie Steiner, Upper Sandusky  
 John Paul Steines, Warren  
 Deborah Jean Stephan, Springdale  
 Sandra Schrier Stephenson, Bucyrus  
 Karen Louise Stewart, Pittsburg, Pa.  
 Deborah Jean St. John, Akron  
 Thomas Lee Stober, Holgate  
 Douglas William Stone, Cincinnati  
 Sharon Ruth Stoner, Akron  
 Ira Bennett Sully, Columbus  
 Joan Kathleen Swartz, Wapakoneta  
 Lucy Ann Tait, Columbus

Marijo Bernadette Tamburrino,  
Mansfield  
Merle Ann Teitelbaum, Chicago, Ill.  
Douglas Warren Vanscoy, Urbana  
James Edwin Watson, Atlanta, Ga.  
Douglas Leonard Weed, Columbus  
Virginia Gill Welty, Columbus  
Joann Ratza Werner, Columbus  
Hugh Richard Whiting, Columbus  
Dale Allen Wiseman, Columbus  
Cynthia Buehler Yund, Cincinnati  
George Edward Yund, Columbus  
Eric Lawrence Ziercher, Columbus  
John Frederick Zimmerman, Jr.,  
Canfield

**Summa Cum Laude and with  
Distinction in Agricultural Education**

Neil Charles Lehnhardt, Lucas

**Summa cum laude and with  
Distinction in Animal Science**

Michael E. Davis, Huntsville  
Ted Alan Gerber, Dalton

**Summa cum laude and with  
Distinction in Anthropology**

Michael Hiram Carpenter, Columbus

**Summa cum laude and with  
Distinction in Economics**

Robert Alan Crider, North Olmsted

**Summa cum laude and with  
Distinction in English**

Cynthia Lynn Lewis, Middletown

**Summa cum laude and with  
Distinction in Mathematics**

Frederick Martin Zeigler, Columbus

**Summa cum laude and with  
Distinction in Microbiology**

Kenneth Dean Rutherford, Columbus

**Summa cum laude and with  
Distinction in Music**

Roger Trent Nohl, Columbus  
Frederick Martin Zeigler, Columbus

**Summa cum laude and with  
Distinction in Natural Resources**

Nancy Jo Stranahan, Willoughby

**Summa cum laude and with  
Distinction in Psychology**

Jean Ellen Aurand, Worthington  
John Alfred Rosenfield, Columbus

**Summa cum laude and with  
Distinction in Sociology**

Tommie Regena Sharp Miller,  
Columbus

**Summa cum laude and with  
Distinction in Zoology**

Charles Edward Ciehra, Cleveland

**Cum Laude**

Ralph Lambert Abell, Cincinnati  
Marie Heinrich Abram, Columbus  
Natalie Joan Agnew, Columbus  
Kevin Lee Alexander, Maumee  
Richard Spalding Amundsen,  
Cherry Hill, N. J.  
David Milton Armstrong, Columbus  
Barbara Amy Ashcraft,  
North Canton  
William Robert Aycock,  
Grosse Ile, Mich.  
Dan Bacal, Lyndhurst  
Kurt David Badertscher,  
Worthington  
Michael Allen Baer, Cleveland  
Douglas Neal Ball, Mansfield  
David William Ballinger, Hicksville  
Cheryl Diane Bang, Cincinnati  
Timothy Dail Banker, Morrow  
Jane Marie Barbuscak, Lorain  
Linda Dale Barnett, Pikeville, Ky.  
William Edward Barney,  
Wattsburg, Pa.  
Gregory Alan Barrett, Tipp City  
Linda Senter Bater, Columbus  
Marjorie Golden Bayer, Columbus  
Christopher Randall Beharry,  
Chesterland  
Sason Benado, Givataim, Israel  
Charles Vincent Bender,  
Detroit, Mich.  
William Fred Bennett, Springfield  
Kathleen Marie Benninger, Parma  
Peggy Louise Bennington, Cadiz  
Janice McKimmie Bernard, Cleveland  
Henry Louis Bernstein, Columbus  
David Michael Berzon, Canton  
Emil Patrick Bisaccia, Nutley, N. J.  
Linda Duffield Bissell, Mansfield  
Gary Marc Blumenthal, Columbus  
Charles William Boeder, Lima  
Brian Boso, Moundsville, W. Va.  
Darlene Dinwiddie Bovard, Columbus  
Alan Bruce Boyd, Akron  
Roger Lewis Boyer, Cuyahoga Falls  
Loren Louis Braverman, Columbus  
Thomas Michael Brewer,  
Fairview Park  
Brenda Kaye Brill, Milford Center  
Michael K. Brockett, Atwater  
Steven Merrell Brown, Chillicothe  
William Jency Brown, Lima  
James Gregory Bryan, Columbus  
Diana Lee Buckeye, Avon Lake  
David Lee Budde, Kettering  
Carl Douglas Burch, Columbus  
Andrew Jay Burkholder, Bluffton  
Bryan Thomas Burney,  
Parma Heights  
Stephen William Busonik, Columbus  
Brian Lee Buzby, Columbus  
Robin Therese Bycznski,  
Columbia Station

**Kenneth Warren Christman,  
Mansfield**

Dale Alan Claes, Shelby  
Edward Ray Claggett, Xenia  
Thomas Richard Clark, Columbus  
John Anthony Cocumelli,  
Steuenville  
Philip Mark Cohen, Toledo  
Harold Richard Conkle, Columbus  
Judith May Converse, Leetonia  
Richard Alan Cooper, Rocky River  
Catherine Theresa Coridan, Columbus  
Ronald James Corn, Columbus  
James Ellsworth Couch, Van Wert  
Kay Annette Crapyou, Portsmouth  
Darlene Dailey, Alliance  
Barrey Danvers, McMurray, Pa.  
Kathy Kemp Daum, Columbus  
Elizabeth Jean Davis, Columbus  
Timothy John Davis, Salem  
Vicki Lynn Davis, Hollywood, Fla.  
Randy David Deering, Elm Grove  
Ramon Paul DeGennaro, Oberlin  
Jeffrey Lynn DeMent, Macedonia  
William David Dickas, Gahanna  
Timothy Jon Donnelly, Cleveland  
Carl J. Drago, Bronx, N. Y.  
Roger Dennis Duber,  
University Heights  
Donald Craig Durstewitz,  
Waldwick, N. J.  
John Michael Duszak,  
Wilmington, Del.  
Mary Katharine Egelhoff, Columbus  
John Yarnell Elliott, Wooster  
George Marshall Ellis, Columbus  
Jane Lee Emerson, Johnstown  
Stuart Zane Epstein, Skokie, Ill.  
James Lloyd Evans, Van Wert  
Margaret Lynne Evans, Kettering  
William Richard Faber, Lancaster  
Robert Lewis Farnsworth,  
East Liverpool  
Gregory A. Field, Brooklyn  
Dianne Gail Fisher, Columbus  
Richard A. Fisher, Napoleon  
William Arthur Fishinger, Jr.,  
Columbus  
John James Flynn, Kent  
Debra Lynn Foles, Fairborn  
Martin Harvey Frantz, Stow  
Brent Allen Freeman, Butler  
Patricia Gilkey Frey, Cincinnati  
Ina Josephine Frisch,  
Upper Sandusky  
Jacqueline Rozelle Fritz, Delphos  
Samuel Ellsworth Frowine, III,  
Portsmouth  
Richard Alvin Fulgham, Columbus  
Joseph Steven Gallagher, Troy  
Carmine Mario Garofalo, Steuenville  
Joan Ann Gentry, Miamisburg  
Douglas Lane Gibson, New Carlisle  
Richard Allen Gill, Hebron  
Debra Faith Goodman, Columbus  
James Hale Gordon, Columbus  
Gerald Richard Graham, Hebron  
Katherine Anne Graham, Columbus  
Gregory Mark Gray, North Canton

Ronald Harvey Greenblatt,  
University Heights  
Laura Helen Greene,  
University Heights  
Barbara Feick Gregory, Sandusky  
Alice Ann Hale, Springfield  
Tondaleigh Hall, Columbus  
Karen Denise Hammack, Columbus  
Jon Michael Hansen, Cincinnati  
Susan Diane Harbaugh, Senecaville  
Sheldon Jack Harris, Cleveland  
Frank Robert Harrison, Cincinnati  
Robert Lee Hartings, Celina  
George Van Hassink, Orange Village  
Gail Elizabeth Hatcher, Columbus  
David Sterling Hay, Zanesville  
Anthony Michael Heald, Delaware  
Richard Brown Henfield, Cleveland  
Dan Warren Hester, Jr., Lancaster  
Benedict Lewis Heydinger,  
New Washington  
Rose Marie Heydinger, Attica  
Lena Pearlman Heyman, Columbus  
Deborah Jane Hild, Philippsburg  
David William Hilkert, Akron  
Janelle Rae Hill, Dayton  
Mark Douglas Hillard, Bloomdale  
Joan Kathleen Hoff, Warren  
Carol Eleanor Hoffman, Boardman  
Raymond William Hohenberger,  
Warren  
Michael Hohn, Bowling Green  
Jane Ruth Homan, St. Henry  
Douglas Paul Horne, Dayton  
John William Hosterman, Columbus  
Robert Michael Hubbell, Delaware  
Gretchen Jan-Tausch Ickert,  
Mansfield  
Carol Suzanne Jackson, Mansfield  
David Jacobs, Wheaton, Md.  
Paul Edward Janis, Euclid  
Jack David Jenny, Columbus  
Julie Marie Joliat, Uniontown  
Janet Helen Jones, Cincinnati  
Jo Ann Jones, Memphis, Tenn.  
Richard Allen Jordan, Cincinnati  
Marilyn Jean Juhasz, Cleveland  
John Neibert Kagay, Kettering  
Jennie Mae Kane, Cincinnati  
Richard Marvin Kerger, Ashtabula  
Louis Harvey Khoure, Canton  
John Joseph Kibane, II, Gates Mills  
Howard Michael Kimes, Fostoria  
Harry Stephen King, Columbus  
Joan Dysart King, Columbus  
Michael Lee King, Trotwood  
Sue Ellen King, Amherst  
Glen Gray Kizer, Worthington  
Anthony James Knapke, Minster  
Karen Knowlton, Cambridge  
Carolyn Hanson Koinig, Worthington  
Kenneth James Kolovich,  
Cleveland Heights  
Zoe Ann Sterba Komaransky,  
Lakewood  
Alex Koufos, Canton  
Margaret Quinn Krach, Columbus  
Eddi Sue Kranzler, Roslyn, N. Y.  
Edward Marshall Kress, Dayton

Patricia Elizabeth Kruse, Amherst  
Jane Ellen Lapp, Chillicothe  
Susan Jo Laubenthal, Perrysburg  
Linda Marlene LeBlanc, Mansfield  
Myron Dale Leeper, Columbus  
Kathy Lou Lemley, East Palestine  
Peter Samuel Lerner,  
Great Neck, N. Y.  
Charles Brooks Levin, Cincinnati  
Jason Robert Levine,  
University Heights  
Jerry Isadore Levine, Shaker Heights  
Stephen Lewis, Dayton  
Robert Oliver Loechler, Columbus  
Cynthia Louis Lofgren, Columbus  
William Boyd Logan, Jr., Columbus  
John Bradford Lohse, Pomeroy  
Ralph Giovanni Loretta, Columbus  
Connie Lynn Lowery, Reynoldsburg  
Deborah Cormany Lytle, Grove City  
April Brandeberry Magnussen,  
Gallipolis  
Rita Patricia Manogue, Cincinnati  
Kathryn Ryan Mardis, Columbus  
Rodger Allen Marting, Ironton  
Kathleen Mary Marzine, Warren  
Daniel Richard Masys, Columbus  
George Otis Mathewson, Toledo  
Richard Craig Maurer, Somerset  
Marlene Ann McCrate,  
Columbus Grove  
Ronald Anthony McGinnis,  
Youngstown  
Patricia Voss McGinty, Mansfield  
Mary Marguerite McGlew, Marion  
Robert Cloyd McKee, Mt. Vernon  
Beverly Annette McVay, Columbus  
Michael James Meagher, Columbus  
Richard Evert Melanko, Shadyside  
Robert Lansing Melville, Rocky River  
Timothy Mendiola, Akron  
Jay Edward Meyer, Lima  
Patrick David Meyer, Columbus  
John Ronald Mikolich, Youngstown  
Cheryl Army Miller, Ohio City  
Denise Marie Miller, Enon  
Donn Carl Miller, Columbus  
Robert Joseph Miller,  
University Heights  
Steven Miller, Lima  
Thomas Steven Molnar, Columbus  
Glenn Edward Monroe, Paulding  
Karen Ann Moran, Mansfield  
William Stanley Morton,  
North White Plains, N. Y.  
Philip Anthony Mullin, Kettering  
Donna Mae Myers, Kenton  
Edward Charles Myers, Toronto  
John Edward Myers, Circleville  
Jan Stuart Neiman,  
South Orange, N. J.  
Carol Bahner Newell, Marion  
James Lee Nicholson, Lima  
Allan Jay Nichols, Seaford, N. Y.  
Victoria Nikolaidis, Massillon  
Diana Jean Niswander, Lima  
Ronald Benjamin Noga, Parma  
Mark Steven Norris, Columbus  
Mary Catherine Nuhfer, Columbus  
Michael Kevin Nunner, Cincinnati

Ronald Joseph O'Brien, Columbus  
Steven Edward O'Hearn, Dayton  
Barbara Jean Onutz, Cleveland  
Sue Ann Orinski, Columbus  
Kevin Jesse Osterkamp, Amber, Ia.  
George Louis Ott, Brunswick  
Jennifer Lynn Otto, Frankfort, Ill.  
Anne Galvi Palestrant, Columbus  
John James Parker, Kingsville  
Connie Jean Parsell, Forest  
Susanne Smith Pasqualine, Sandusky  
Mary Christine Paxson, Fremont  
Rita Ericka Pencis, Hubbard  
Nancy Snyder Peppercorn,  
New London  
Debra Ellen Phillips, Ravenna  
Grace Peterangelo Pittman,  
Columbus  
Martha Seares Pitzer, Columbus  
Kenneth Charles Podor, Cleveland  
Vittorio Eugenio Porco,  
Lansing, Mich.  
Patricia Louise Powell, Urbana  
Laurie Cooper Pressler, Columbus  
Marcus Merton Purvis, Columbus  
David Calvin Quatman, Celina  
Janet Karen Ransom, Columbus  
Sanjeev Ananda Rao, Jr.,  
Wintersville  
Nan E. Repasky, Canton  
John Lawrence Rhode, Wooster  
Willem K. Rivenburg, Powell  
Bruce Alan Roberts, Westerville  
Rosemary Roberts, Columbus  
Janet Bawel Rodgers, Columbus  
James Donald Rogers, Lancaster  
Ralph Richard Romaker, Cridersville  
Patricia Beth Rosen, Cincinnati  
Janet Leslie Rosenberg, Beachwood  
John Francis Rotilie, Akron  
Steven Douglas Rowe, Columbus  
Rita Ann Rowland, Bellevue  
Mary Catherine Rugola, Mt. Vernon  
Mark Wilson Ruppert, New Waterford  
Deborah Ann Ruppert, Bay Village  
Sharron Smith Saam, Columbus  
Joyce Salat, South Euclid  
Margaret Briggs Samuels, Carroll  
Christy Lynn Sand,  
New Philadelphia  
William Lawrence Sanders, Columbus  
Carol Lee Saunders, Newark  
Bari Elizabeth Jones Scarberry,  
Columbus  
Betty Ann Schaefer, Toledo  
Karen Ruth Schaefer, Bellevue  
Catherine Anne Schambach,  
Cleveland  
Mary Beach Scheiderer, Marysville  
Dale William Schiming, Parma  
Deborah Ellen Schipper, St. Marys  
Loynn Reiheld Schira, Orrville  
David Bruce Schultz, Marion  
David Lee Schumaker, Oregon  
Glenn Joshua Schwartz, Youngstown  
Jeanette Carol Seeman, Columbus  
Kittie Palm Seibert, Columbus  
Robert Stephen Seymour, Columbus  
Ira Shafraan, Cleveland Heights  
William Raymond Shelley, Bellevue

- Kent Eugene Short, West Unity  
Eugene Robert Schultz, Columbus  
Beverly Jefferson Sieling, Columbus  
Nancy Ann Sinclair, Columbus  
Martha Hyme Skeeles, Lancaster  
Stephen John Slovasky, Girard  
David Ashton Snavelly, Toledo  
Catherine Joan Sommers, Urbana  
Pamela Susan Sprouse, Bridgeport  
Michael Spurlock, Dayton  
Chloette Clotene Steele, Columbus  
Thomas Alexander Steele, Marion  
Joan Marie Stets, Columbus  
Bradley James Stith, Columbus  
Richard Allen Sunderland,  
Spencerville  
Robert Hugh Taylor, Columbus  
Michael Ray Terry, Lima  
Michael Dean Sharp, Columbus  
Glenn Roberts Thayer, Defiance  
Sue Switzer Thornton, Gahanna  
Lynn Ann Thuma, Lima  
Steven Mark Thurber, Columbus  
Stephen Frederick Tilson, Delaware  
Barbara Jean Tokar, Vermilion  
Louis Ernest Tosi, Martins Ferry  
Maurice Anthony Tourville, III,  
Pittsburgh, Pa.  
Joseph Frederick Traunwieser,  
Mansfield  
Carol Ann Tueting,  
Wilmington, N. C.  
James Frederick Turner, II, Akron  
Mark Eugene Turney, Nevada  
Kathleen Theresa Van Dame, Dayton  
Jerry VandeWerken, Oaklawn, Ill.  
Nathan Andrew Van Dyke, Lima  
Shelley Jan Venick, Dayton  
Ellen Marie Veselenak, Byesville  
David James Vickers, Cincinnati  
Kathleen Ann Vogel, Columbus  
Kathryn Elleman Wadlington,  
Columbus  
Mark Edgar Wallace, Hopedale  
William Lee Wallace, Elida  
Barry Alan Waller, Bratenahl  
James Cary Warner, Zanesville  
Jane Catherine Warner, Worthington  
Kathie Lynn Warrens, Shelby  
Philip Joseph Weaver, Jr.,  
Rocky River  
Sheldon Howard Weisberg,  
University Heights  
Bridget Nagel Weller, Wapakoneta  
Donald Freeman Westra, Jr.,  
Columbus  
Eugene Phillip Whetzel,  
New Salem, Pa.  
Ronald Lester White, West Union  
Christina Kay Wilburn, Portsmouth  
Dennis Ray Wilcox, Willard  
Jacquelin Ostrom Wilcox, Columbus  
Michael Dennis Wilke, Columbus  
Olive Craig Wilkin, Columbus  
Caleb Williams, Wellsboro, Pa.  
Lois Gayle Williams, Berea  
Thomas Reese Williams, Berea  
Mary Hoddy Wilson,  
East Lansing, Mich.  
Jayma Thompson Wink, Mansfield
- Laurie Lynn Wolanski, Solon  
Elliott Wolf, Canfield  
Helen Anne Wright, Indiana, Pa.  
Jeffrey L. Wright, Sabina  
Wendy Ann Yaross, Dayton  
Sandra Jean Yost, Canton  
Laurie Ann Young,  
University Heights  
Stephen Joseph Yurasek, Columbus  
Amichay Zelcher, Givataim, Israel  
Pamela Kay Zellner, Bucyrus
- Cum laude and with Distinction in  
Ancient History and Classics**  
Stephen John Habash, Steubenville
- Cum laude and with Distinction in  
Anthropology**  
Gerda Heim Buskirk, Columbus
- Cum laude and with Distinction in  
Biology**  
Glen Wallace Humphrey,  
Rockville, Md.
- Cum laude and with Distinction in  
Cinema and French**  
Rebekah Lee Jorgensen, Columbus
- Cum laude and with Distinction in  
Communication**  
John Allen Archer, Westerville
- Cum laude and with Distinction in  
Computer and Information Science**  
William Allen Young, Hyde, Pa.
- Cum laude and with Distinction in  
Dairy Science**  
Peter Ross Brody, South Euclid  
Randall Alan Leis, Farmersville
- Cum laude and with Distinction in  
Economics**  
Bruce Roy Lowry, Columbus
- Cum laude and with Distinction in  
French**  
Craig Edward Williams, Painesville
- Cum laude and with Distinction in  
Geography**  
Jay Stanley Hobgood,  
Tuscaloosa, Ala.
- Cum laude and with Distinction in  
Geology and Mineralogy**  
Martin Arthur Kopacz, Ironton
- Cum laude and with Distinction in  
History and Political Science**  
David Bruce Etengoff, Columbus
- Cum laude and with Distinction in  
History of Art**  
Christine Alaine Bishop, Parma  
David Garth Eisenstein, Columbus
- Cum laude and with Distinction in  
Islamic Studies**  
Marsha Jane Hamilton, Kirtland
- Cum laude and with Distinction in  
Journalism**  
Barry Michael Horstman, Cincinnati
- Cum laude and with Distinction in  
Microbiology**  
Beth Ann Wichman, Mentor
- Cum laude and with Distinction in  
Philosophy**  
Neil Warren Gurney,  
Cleveland Heights
- Cum laude and with Distinction in  
Psychology**  
Steven Mark Butnik, South Euclid  
Robert David Lacker, Hamilton
- Cum laude and with Distinction in  
Social Sciences**  
Thomas John Chordas, Columbus  
Dennis Patrick Wirtz, Canton
- Cum laude and with Distinction in  
Theatre**  
Randy Barbara Kaplan,  
New York, N. Y.
- With Distinction in Agricultural  
Economics**  
Donald Daniel Branson, III, Loveland  
Richard Ray Wells, Zanesville
- With Distinction in American Folklore**  
Alan Bruce Govenar, Columbus
- With Distinction in Animal Science**  
Stevan Wayne Dittmer, Cincinnati  
Susan Jayne Sheehan, Lebanon
- With Distinction in Anthropology**  
Laura Lynn Brunton, Columbus  
Richard Dale Buchanan, Toledo
- With Distinction in Comparative  
Literature**  
Luanne Brooke Handley, Dayton
- With Distinction in Dairy Science**  
William Krigbaum Watkins, Jr.  
Belmont
- With Distinction in Economics**  
Robert Ward Trafford, Columbus

**With Distinction in English**

Nicolette Ann Love, Elyria

**With Distinction in Food Technology**

Glenn Michael Barnhart, Dayton

**With Distinction in Genetics**

John Raymond Engle, Pataskala

**With Distinction in Geology and  
Mineralogy**

Gary Kingsley Telecan, Norwood

**With Distinction in History**

Dona Sue Straley, Williamsport

**With Distinction in Horticulture**

Robert Allen Sage, Chardon

**With Distinction in Political Science**

Dennis Paul Zawacki,  
Vandergrift, Pa.

Page 624 Blank



INDEX TO OFFICERS AND EMPLOYEES

1973-1974

A

Abercrombie, Gene R. . . . 47  
 Addanki, Somasundaram . . . 201  
 Adderley, Marilyn V. . . . 140, 473  
 Alberty, Elsie J. . . . 525, 529  
 Allenbaugh, Naomi M. . . . 474  
 Armitage, Richard . . . . 370  
 Ashcroft, Samuel C. . . . 526  
 Atwell, Robert J. . . . . 529

B

Babcock, Charles L. . . . 528  
 Babcock, James C. . . . . 370  
 Bailin, Louis L. . . . . 201  
 Baishanski, Bogdan . . . . 9  
 Baker, Richard H. . . . . 439  
 Barton, Jane . . . . . 110  
 Baumgardner, Gale Marie. 439, 474  
 Beal, Jack L. . . . . 529  
 Beck, Donna J. . . . . 140  
 Beetham, Charles J. . . . . 233  
 Beish, Hannah H. . . . . 334  
 Bell, Ely E. . . . . 2  
 Bell, Francis I. . . . . 430  
 Bergman, Ralph W. . . . . 142  
 Bianchine, Joseph R. . . . 438, 529  
 Biddle, James . . . . . 458  
 Bishop, Albert B. . . . . 378, 529  
 Blackwell, Roger D. . . . . 472  
 Blakeslee, Charles E. . . . 379  
 Blickle, James D. . . . . 474  
 Bonnell, Rollo W. . . . . 142  
 Boorstein, William M. . . . 140, 473  
 Bovard, Frances E. . . . . 475  
 Bowen, Clarence C. . . . . 12, 498  
 Bowman, Edward H. . . . . 331  
 Bremner, Robert H. . . . . 260  
 Browning, Robert H. . . . . 141  
 Bullock, Robert P. . . . . 474  
 Burkman, Katherine . . . . 10  
 Burr, James B. . . . . 141

C

Callahan, Charles C. . . . . 3  
 Calvert, Jack B. . . . . 526

Campbell, William B. . . . 140  
 Canary, Richard L. . . . . 466  
 Chase, Robert Clifford . . . 431  
 Christoforidis, Anthimos J. . 439  
 Chu, Samuel C. . . . . 528  
 Collins, George F. . . . . 141  
 Cordell, Harry W. . . . . 111  
 Craig, Elston L. . . . . 9  
 Cramblett, Henry G. . . . . 527  
 Cunningham, Luvern L. . . . 526  
 Cunnyngham, Jon S. . . . . 12  
 Currier, Ruth . . . . . 140, 473  
 Cushman, Wesley P. . . . . 474  
 Cyphert, Frederick R. . . . 331

D

Dalrymple, Francis W. . . . 142  
 Demko, George J. . . . . 334  
 Devenow, Chester . . . . . 46, 47,  
 103, 180, 285  
 DeVol, Ruth D. . . . . 335  
 Dewald, William G. . . . . 139  
 Divis, Bohuslav . . . . . 10  
 Donoho, Clive W., Jr. . . . . 138  
 Dowty, David R. . . . . 473  
 Dumble, Wilson R. . . . . 190  
 Dunfee, Thomas W. . . . . 473  
 Dunlap, John H. . . . . 46, 47, 103,  
 326, 367, 462, 465

E

Eastwood, George R. . . . . 230  
 Eggspuehler, Jack J. . . . . 529  
 Eglitis, John A. . . . . 141  
 Ellingson, Harold V. . . . . 529  
 Elliot, David H. . . . . 233  
 Enarson, Harold L. . . . . 4, 41, 48, 120,  
 124, 128, 226, 252, 286,  
 287, 430, 458, 464, 465, 555  
 Essig, Garth F. . . . . 9, 530  
 Everhart, John O. . . . . 474

F

Fawcett, Harold P. . . . . 4  
 Fergus, Robert H. . . . . 30

Firebaugh, Francille M. . . . .	138
Foster, Sara . . . . .	140
Fox, Marvin . . . . .	201
Franklin, Ralph E. . . . .	139
Fullington, James F. . . . .	111

G

Gambs, Charles R., Jr. . . . .	526
Gardier, Robert W. . . . .	233
Garrett, Alfred B. . . . .	4
Garvin, Bonnie J. . . . .	141, 379
Gaw, Esther Allen . . . . .	326
Gerckens, L. C. . . . .	529
Gilbertson, Eric Raymond . . . . .	137
Gogate, Shashikala A. . . . .	202
Gordon, Evelyn P. . . . .	260
Gottfried, Jean . . . . .	11
Graves, Judith A. . . . .	141
Greenball, Melvin . . . . .	9
Gregory, Ian W. . . . .	201
Grosshans, Iona . . . . .	10
Gushman, John L. . . . .	46, 135, 283, 286
Guthrie, Gerry D. . . . .	141
Guthrie, Morris B. . . . .	141

H

Hall, William H. . . . .	529
Hamilton, Woodrow W. . . . .	335
Hanna, J. Marshall . . . . .	474
Harada, Koichiro . . . . .	11
Hare, Robert Y. . . . .	378
Harrison, David M. . . . .	112
Harrod, M. Merle . . . . .	46, 230
Hart, Alan W. . . . .	327
Harvey, Florence M. . . . .	432
Haskins, Joseph F. . . . .	433
Hayon, Yehiel . . . . .	233
Helwig, John A. . . . .	529
Herrick, John H. . . . .	4
Hill, Lawrence Francis . . . . .	499
Hilliker, Don M. . . . .	44, 45, 47, 48, 102, 103, 190, 230, 430, 462, 463
Holowaychuck, Nicholas . . . . .	9
Hong, Dun Mow . . . . .	140
Howe, G. Edwin . . . . .	528
Huddleston, Jerry . . . . .	9
Hunker, Henry L. . . . .	139

I

Ihrig, Weldon E. . . . .	526
--------------------------	-----

J

Jablonowski, Feliks W. . . . .	474
Jacquemin, Louis W. . . . .	12
James, Patricia D. . . . .	46, 47, 102

K

Kapral, Frank A. . . . .	139, 530
Katz, Bertram . . . . .	11, 473
Ketterer, John G. . . . .	113
Kilpatrick, Franklin P. . . . .	472
Kincaid, James R. . . . .	10
King, Ruth L. . . . .	141, 233
Kirby, James C., Jr. . . . .	379
Koenig, Beverly . . . . .	202
Kollaritsch, Felix P. . . . .	525, 530
Kraus, John D. . . . .	448
Krouse, Kenneth . . . . .	138
Kuhn, Albert J. . . . .	137

L

Lacey, Henry B. . . . .	142
Lao, Yan Shuan . . . . .	139
Large, George Elwyn . . . . .	114
Latane, Bibb . . . . .	472
Latiolais, Clifton J. . . . .	529
Laughlin, Hugh D. . . . .	474
Leggett, Ernest W. . . . .	462
Lehiste, Ilse . . . . .	10
Lehocsky, Paul N. . . . .	434
Levine, Raphael D. . . . .	260
Linch, William E. . . . .	500
Livingston, H. Farrand . . . . .	12
Lotz, Larry . . . . .	11
Lowe, Clayton K. . . . .	525
Ludden, Franklin M. . . . .	529

M

Macpherson, Colin . . . . .	530
Mall, Richard M. . . . .	115
Malspeis, Louis . . . . .	529
Marantz, Kenneth . . . . .	530
Marco, Salvatore M. . . . .	327
Marine, Julia L. . . . .	260
Mathis, Robert F. . . . .	378
McClester, Jean . . . . .	233
McDonald, Margaret F. . . . .	142
McGinnis, Donald E. . . . .	139
Medhurst, Richard . . . . .	529
Meiden, Walter . . . . .	475
Meiling, Richard L. . . . .	285, 528
Miljus, Robert . . . . .	529

Miller, Aaron . . . . .	530
Miller, Joseph N. . . . .	12
Miller, Richard C. . . . .	501
Miller, Richard S. . . . .	10
Montonaro, Anthony J. . . . .	475
Mooney, Miriam S. . . . .	142
Morganstern, James . . . . .	334
Moulton, Edward Q. . . . .	137, 462
Mount, John T. . . . .	458
Mullen, Pearl S. . . . .	142

N

Nelson, Gordon L. . . . .	139
Notari, Robert E. . . . .	472

O

Obetz, Robin C. . . . .	142
Old, Jacob W., Jr. . . . .	371
Olson, Geraldine I. . . . .	334, 474
Osipow, Samuel H. . . . .	201, 438, 529
Oster, Clinton V. . . . .	530
Overholt, Palmer E. . . . .	372

P

Paravastu, Swamy A. . . . .	201
Pepinsky, Harold B. . . . .	260
Pepper, Paul M. . . . .	528
Pieper, Heinz P. . . . .	139, 438, 529
Protheroe, William M. . . . .	526

R

Reese, Robert M. . . . .	475
Rhoad, Jean . . . . .	439
Rice, Edward L. . . . .	233
Richards, Rachel E. . . . .	141
Richardson, Bradley M. . . . .	528
Rickard, Hortense . . . . .	231
Rindfleisch, Nolan J. . . . .	140
Rinehart, Kenneth S. . . . .	379
Ripley, Randall B. . . . .	12
Roaden, Arliss L. . . . .	527
Roberts, Wilbur C. . . . .	335
Robinson, David F. . . . .	379, 529
Robinson, Ted R. . . . .	9
Rogers, Harry W. . . . .	116
Rollins, Howard A., Jr. . . . .	529
Ronan, Wilbert Cathmore . . . . .	466
Rose, Michael D. . . . .	472
Ross, Berman E. . . . .	335
Roth, Robert Earl . . . . .	259
Rucker, T. Donald . . . . .	529

S

Safford, William C. . . . .	46, 47, 103, 462
Saunders, Elmo . . . . .	202, 474
Schmidt, Glen H. . . . .	525
Schoessler, John P. . . . .	334
Schuler, Leland D. . . . .	439
Schultz, James E. . . . .	11
Schuth, Howard Wayne . . . . .	140, 473
Scott, Gladyce E. . . . .	435
Scott, Madison H. . . . .	526
Sherman, Hoyt L. . . . .	475
Shipman, Morgan E. . . . .	10, 526
Shocknessy, James W. . . . .	47, 48, 104, 127, 136, 285
Shumaker, John W. . . . .	259
Shupe, Hollie W. . . . .	202
Sirak, Howard D. . . . .	46
Skillman, Thomas G. . . . .	259
Slagle, L. Orin . . . . .	525
Slettebak, Arne E. . . . .	528, 530
Smeck, Neil E. . . . .	11
Smith, Robert G. . . . .	527
Smith, Thomas B. . . . .	526
Snook, Marilynne . . . . .	11
Stansbery, David H. . . . .	10
Stecker, Frederick . . . . .	4
Steffy, David L. . . . .	527
Stephen, William A. . . . .	334
Stultz, Bonnie Lu . . . . .	439
Sucheston, Martha E. . . . .	473
Swearingen, Rodney . . . . .	232
Sweet, Charlotte S. . . . .	334

T

Tarr, David G. . . . .	473
Taylor, Thomas N. . . . .	472
Tidd, Wilbur M. . . . .	116
Tilley, George L. . . . .	475
Tough, James T. . . . .	202
Trippy, Robert T. . . . .	335
Tzagournis, Manuel . . . . .	9

U

Utley, Francis Lee . . . . .	435
------------------------------	-----

V

Van Cleef, Eugene . . . . .	254
Vandegrift, Louis Edmond . . . . .	254
Velkoff, Henry R. . . . .	201
Venzke, Walter G. . . . .	529

Vickers, Gates S.	. . .	502
von Haam, Emmerich	. . .	334
Vroonland, Jewell	. . .	11

W

Walker, John Anthony	. . .	138
Wallace, S. Rains	. . .	117
Watkins, Fairfax E.	. . .	475
Watts, Eugene J.	. . .	473
Weicher, John C.	. . .	10
Weigel, Eugene J.	. . .	118
Wherry, Robert J.	. . .	475
Whitney, D. Ransom	. . .	529
Williams, Charles H.	. . .	232
Williams, John F., Jr.	. . .	436
Williams, John H.	. . .	140
Williams, Tennyson	. . .	379
Willke, Thomas A.	. . .	201
Wilson, Peggy D.	. . .	141
Winter, Chester M.	. . .	475
Witiak, Donald T.	. . .	529
Wolf, Harold H.	. . .	529
Wrigley, Lowell A.	. . .	334
Wynne, Shirley	. . .	10

Y

Yoder, Robert E.	. . .	141
------------------	-------	-----

Z

Zimmerman, Richard H.	. . .	137, 226
Zollinger, Robert M.	. . .	528
zumFelde, Paul	. . .	11
Zuspan, Frederick P.	. . .	334

GENERAL INDEX

1973-1974 Minutes

A

Abbott Laboratories, North Chicago, Illinois . . . . .	174, 269
Academy for Contemporary Problems, Columbus, Ohio . . . . .	159
Acceptance Fee . . . . .	8, 437
Accountant's Report on the University Dormitory Revenue Bond Funds . . . . .	367
ACTION Procurement Division, Washington, D. C. . . . .	165
Administrative Officials, Expenses for Designated . . . . .	186
Administrative Science, College of . . . . .	7, 523
Aetna Variable Annuity Life Insurance Company . . . . .	44
Agency for International Development, Washington, D. C. . . . .	171
Agricultural Administration Building--School of Natural Resources - Renovations . . . . .	182, 251
Agricultural Technical Institute, Wooster, Ohio . . . . .	251, 365, 522
Agricultural Technical Institute, Wooster, Ohio--Street and Parking Lot Lighting . . . . .	249, 393
Agriculture and Home Economics, College of . . . . .	7, 523
Air Control Mechanical Contractors, New Albany, Ohio . . . . .	183
Aircraft, Hangar Keepers and Student Flight Insurance . . . . .	43
ALCOA Foundation, Pittsburgh, Pennsylvania . . . . .	245
Alexander, Lucile B. (The), Recognition Fund . . . . .	547
Allegheny Foundation, Pittsburgh, Pennsylvania . . . . .	173
Allied Chemical Foundation, Morristown, New Jersey . . . . .	178
Allied Medical Professions, School of . . . . .	7, 258, 523
Allstate Foundation Nursing Scholarship Program (The) . . . . .	32
American Cancer Society, Inc., New York, New York . . . . .	159, 343
American Cancer Society, Ohio Division, Columbus, Ohio . . . . .	542
American Cancer Society, Ohio Division, Franklin County Unit, Columbus, Ohio . . . . .	244, 344, 355
American Cancer Society, Ohio Division, Inc., Columbus, Ohio . . . . .	159
American Cyanamid Company, Pear River, New York . . . . .	345
American Electric Power Service Corporation, New York, New York . . . . .	356
American Foundation for Pharmaceutical Education, Washington, D. C. . . . .	246, 448
American Gas Association, Arlington, Virginia . . . . .	271
American Heart Association, Central Ohio Heart Chapter, Inc., Columbus, Ohio . . . . .	214-219
American Heart Association, Eastern Ohio Chapter, Inc., Youngstown, Ohio . . . . .	344, 345
American Heart Association, Inc., New York, New York . . . . .	173, 269
American Iron and Steel Institute, New York, New York . . . . .	28, 159, 174, 270
American Medical Association, Chicago, Illinois . . . . .	29
American Prosthodontic Society . . . . .	449
American Prosthodontic Society (The), Chicago, Illinois . . . . .	448
American Society of Heating, Refrigerating and Air Conditioning Engineers, Inc., New York, New York . . . . .	176

Amoco Foundation, Inc., Chicago, Illinois . . . . .	272
AMP, Incorporated, Glen Rock, Pennsylvania . . . . .	389
Andersons, The (Donald E. Anderson, Harold Anderson, John D. Anderson, Richard P. Anderson, Robert J. Anderson, Thomas H. Anderson, and Paul M. Kraus), Maumee, Ohio (Gift) . . . . .	356
Andersons Agricultural Research Fund . . . . .	356
Anne Arundel County Schools, Glen Burne, Maryland . . . . .	483
Antique Show Receipts (given in name of Mrs. Josephine Failer), Columbus, Ohio . . . . .	357, 490
Application Fee . . . . .	8, 437
Architecture, School of . . . . .	7, 523
Armco Foundation, Middletown, Ohio . . . . .	178
Armco Foundation, Inc., Chicago, Illinois . . . . .	246
Army, Department of the, Army Air Mobility Research and Development Laboratory, Ft. Eustis, Virginia . . . . .	157
Army, Department of the, Army Mobility Equipment Research and Development Center, Ft. Belvoir, Virginia . . . . .	157, 171
Army, Department of the, Corps of Engineers, Huntington, West Virginia . . . . .	24, 169
Army, Department of the, Defense Supply Service, The Pentagon, Washington, D. C. . . . .	241
Army, Department of the, Eustis Directorate, U. S. Army Air Mobility Research and Development Laboratory, Fort Eustis, Virginia . . . . .	386
Army, Department of the, Harry Diamond Laboratories, Washington, D. C. . . . .	154, 155
Army, Department of the, Huntington District, Corps of Engineers, Huntington, West Virginia . . . . .	266, 268
Army, Department of the, U. S. Army Medical Research and Development Command, Washington, D. C. . . . .	385
Arps Hall, College of Education--Library Improvements . . . . .	280, 494, 495, 552
Art Education, Department of . . . . .	467
Art Education, Division of . . . . .	467
Arts, College of The . . . . .	7, 523
Associate of Arts Program . . . . .	504
Associates of Medicine (The), Columbus, Ohio . . . . .	29, 160, 177, 220, 245, 345, 356, 448, 489, 544
Association of Home Appliance Manufacturers, Chicago, Illinois . . . . .	489
Atkinson-Dauksch Agencies, Inc., and John H. Gardner Agency . . . . .	43
Auditor of State - Report to The Ohio State University . . . . .	457
Auditor of State - Report to The Ohio State University Hospitals . . . . .	496, 552
Authorization for the Filing of Application for Grant Funds Under Title VII of the Public Health Service Act, As Amended . . . . .	373
AVCO Precision Products, Richmond, Indiana . . . . .	219

B

Babcock & Wilcox Company (The), Alliance, Ohio . . . . .	544
Bahr, Wayne . . . . .	458
Baker, Floyd H., Corporation, Columbus, Ohio . . . . .	41
Baker, Newton D. (The), Memorial Scholarship Fund . . . . .	359
Barnes, Neiswander and Associates, Cleveland, Ohio . . . . .	452

Battelle Memorial Institute, Columbus, Ohio . . . . .	177, 272
Battelle Memorial Institute, Columbus, Ohio (Research Foundation Contract/Grant) . . . . .	214
Bell Laboratories, Columbus, Ohio . . . . .	357
Benedum, Paul G., Naples, Florida (Gift) . . . . .	357
Biological Sciences, College of . . . . .	7, 523
Black Studies, Establishment of Program Leading to Master of Arts Degree . . . . .	256
Blanket Crime Policy . . . . .	553
Board of Control - Ohio Agricultural Research and Development Center . . . . .	185
Board of Regents, University of the State of New York, Albany, New York . . . . .	165
Bradley, William F., M.D., Columbus, Ohio (Gift) . . . . .	357
Brandt Foundation (The), Short Hills, New Jersey . . . . .	272
Brazil, Federative Republic of, Ministry of Education and Culture, Brazilia, Brazil . . . . .	381
Bremer Foundation (The), Youngstown, Ohio . . . . .	160
Brenholts, Roy and Sara, Fund, Columbus, Ohio . . . . .	390
Brown Hall, Main Entrance South Side--Removal and Replacement of Steps . . . . .	278, 364
Bryan Board of Public Affairs, Bryan, Ohio . . . . .	543
Buchanan, C. Robert, and Associates, Canfield, Ohio . . . . .	362
Buckeye Boys Ranch, Grove City, Ohio . . . . .	27
Buckeye Federal Savings and Loan Association, Columbus, Ohio . . . . .	358
Buckeye Union Insurance Company (The) . . . . .	43, 553
Buckeye Village . . . . .	376, 468
Building, Contents, Boiler, Machinery and Auto Insurance . . . . .	43
Buildings and Grounds Committee . . . . .	46
Buildings and Property, Purchase of . . . . .	282, 365, 366, 394, 551, 552
Business Administration Advisory Council Fund . . . . .	31, 245
<u>Bylaws of the Board of Trustees</u> . . . . .	191
<u>Bylaws of the Board of Trustees and</u> <u>Rules of the University Faculty.</u> . . . . .	438

C

Campbell, Elsie Kemery, Fund . . . . .	31
Campbell Hall--Office Improvements . . . . .	363
Campbell, Kenyon S., Estate of, Columbus, Ohio . . . . .	31
Campbell, Kenyon Stafford, Fund . . . . .	31
Caniff, Milton (The), Collection for Research in Cinematography, Photography and Journalism (Gift-in-Kind) . . . . .	247
Caral Corporation, DBA Heidelberg Distributing Company, Dayton, Ohio . . . . .	356
Carmichael, Dan A. . . . .	285
Carroll, Charles W., Akron, Ohio (Gift) . . . . .	357
Central Ohio Lung Association, Columbus, Ohio . . . . .	177
Charleston County Schools, Charleston, South Carolina . . . . .	482
Chevron Research Company, Richmond, California . . . . .	246
Children's Hospital - Dispatch Charities - Pro Am Championship, Columbus, Ohio . . . . .	271

Ciba-Geigy Corporation, Summit, New Jersey . . . . .	390
Civil Service Commission, Denver, Colorado . . . . .	540
Civil Service Commission, Washington, D. C. . . . .	540, 541
Claggett Electric . . . . .	495
Clinical Medical Sciences Education Facility . . . . .	284, 285
Clinical Medical Sciences Education Facility (Inpatient Teaching Facility) . . . . .	373
Clinical Medical Sciences Education Facility - Supporting Services Phase . . . . .	366
Clow Foundation, Chicago, Illinois . . . . .	358
College of Optometry, Clinical Facility . . . . .	251
Collins, Anita M. . . . .	555
Columbia Gas Systems Service Corporation, Columbus, Ohio . . . . .	176, 345, 543
Columbus Board of Health, Columbus, Ohio . . . . .	355
Columbus Campus . . . . .	513
Columbus, City of, Columbus, Ohio . . . . .	158, 543
Columbus/Franklin County Criminal Justice Coordinating Council, Columbus, Ohio . . . . .	27, 268, 269
Columbus Metropolitan Area Community Action Organization, Columbus, Ohio . . . . .	148, 263, 483
Columbus Public Schools, Columbus, Ohio . . . . .	158
Columbus and Southern Ohio Electric Company . . . . .	250, 393
Commerce, Department of, National Oceanic and Atmospheric Administration, Boulder, Colorado . . . . .	158
Commerce, Department of, National Oceanic and Atmospheric Administration, Rockville, Maryland . . . . .	538
Committee Appointments - 1973-1974 . . . . .	46, 47
Concealed Weapons and Faithful Performance Police Bonds . . . . .	553
Continental Credit Corporation . . . . .	551
Continuing Education, Division of . . . . .	7, 523
Converse, George L., Hall . . . . .	231
Cook, Charles H. . . . .	458
Cook, Chester C., Memorial Fund . . . . .	346
Cooperative Extension Service . . . . .	185, 521
Copeland, William E., M. D., Columbus, Ohio (Gifts) . . . . .	161, 179
Copeland, William E. (The), Fund in Obstetrics and Gynecology . . . . .	179
Council for Economic Opportunities in Greater Cleveland, Cleveland, Ohio . . . . .	213
Council on Legal Education for Professional Responsibility, Inc., New York, New York . . . . .	537
Council on Library Resources, Washington, D. C. . . . .	216
Craig, J. Forest, Estate of, Columbus, Ohio . . . . .	544
Cramer, Nancy L. and Carley (Gift-in-Kind) . . . . .	248
Critchfield, Robert, Estate, Birmingham, Michigan . . . . .	346
Curl, Robert S., and Associates . . . . .	277

D

Davis, Edward E., Oak Hill, Ohio (Gift) . . . . .	160
Dayco Corporation, Springfield, Missouri . . . . .	159
Deafness Research Foundation (The), New York, New York . . . . .	355
Dean of Students, Office of . . . . .	232



Defense Civil Preparedness Agency, Region Four, Federal Center, Battle Creek, Michigan . . . . .	19, 262, 350
Degrees . . . . .	4, 256, 258, 374, 392, 512
Delaware City Board of Education (The), Delaware, Ohio . . . . .	483
Denney, Lucille Morrisey, Estate of, Columbus, Ohio . . . . .	29, 161
Dental Hygiene, Division of . . . . .	7, 523
Dentistry Building--Heating System Repair (Original Building). . . . .	363, 549
Dentistry, College of . . . . .	7, 523
Department of Defense - Department of the Air Force, Air Force Office of Scientific Research, Arlington, Virginia (Research Foundation Contracts/Grants) . . . . .	155, 156, 240, 265, 266
Department of Defense - Department of the Air Force, Air Force Special Weapons Center (PMRB), Kirtland Air Force Base, New Mexico (Research Foundation Contracts/Grants) . . . . .	170, 240
Department of Defense - Department of the Air Force, Air Force Systems Command, Brooks Air Force Base, Texas (Research Foundation Contract/Grant) . . . . .	23
Department of Defense - Department of Air Force, Air Force Systems Command, Headquarters 4950th Test Wing (Tech), Wright-Patterson Air Force Base, Ohio (Research Foundation Contracts/Grants) . . . . .	207, 211, 446, 487
Department of Defense - Department of the Air Force, Air Force Systems Command, L. G. Hanscom Field, Massachusetts (Research Foundation Contracts/Grants) . . . . .	169, 211
Department of Defense - Department of the Air Force, Air Force Systems Command, Rome Air Development Center, Griffiss Air Force Base, New York (Research Foundation Contracts/Grants) . . . . .	167, 444, 445
Department of Defense - Department of the Air Force, Air Force Systems Command, Wright-Patterson Air Force Base, Ohio (Research Foundation Contract/Grant) . . . . .	23
Department of Defense - Department of the Air Force, Electronic Systems Division, Air Force Systems Command, Laurence G. Hanscom Field, Bedford, Massachusetts (Research Foundation Contracts/Grants) . . . . .	168
Department of Defense - Department of Air Force, Electronic Systems Division, Laurence G. Hanscom Field, Bedford, Massachusetts (Research Foundation Contracts/Grants) . . . . .	352, 353
Department of Defense - Department of the Air Force, 4950th Test Wing (Tech), (AFSC), Wright-Patterson Air Force Base, Ohio (Research Foundation Contracts/Grants) . . . . .	168, 170, 487
Department of Defense - Department of the Air Force, Office of Scientific Research, Arlington, Virginia (Research Foundation Contracts/Grants) . . . . .	25, 383, 446, 485
Department of Defense - Department of the Air Force, Space and Missile System Organization/RSSP, Los Angeles, California (Research Foundation Contract/Grant) . . . . .	243
Department of Defense - Army Research Institute for the Behavioral and Social Sciences, Arlington, Virginia (Research Foundation Contract/Grant) . . . . .	26
Department of Defense - Department of the Army, Army Air Mobility Research and Development Laboratory, Ft. Eustis, Virginia (Research Foundation Contract/Grant) . . . . .	157

Department of Defense, Department of the Army, Army Mobility Equipment Research and Development Center, Ft. Belvoir, Virginia (Research Foundation Contracts/Grants)	157, 171
Department of Defense - Department of the Army, Corps of Engineers, Huntington, West Virginia (Research Foundation Contracts/Grants)	24, 169
Department of Defense - Department of the Army, Defense Civil Preparedness Agency, Washington, D. C. (Research Foundation Contract/Grant)	486
Department of Defense - Department of the Army, Defense Supply Service, The Pentagon, Washington, D. C. (Re- search Foundation Contracts/Grants)	241, 444
Department of Defense - Department of the Army, Eustis Directorate, U. S. Army Air Mobility Research and Development Laboratory, Ft. Eustis, Virginia (Research Foundation Contracts/Grants)	386, 485
Department of Defense - Department of the Army, Harry Diamond Laboratories, Washington, D. C. (Research Foundation Contracts/Grants)	154, 155
Department of Defense - Department of the Army, Huntington District, Corps of Engineers, Huntington, West Virginia (Research Foundation Contracts/Grants)	487
Department of Defense - Department of the Army, U. S. Army Medical Research and Development Command, Washington, D. C. (Research Foundation Contract/Grant)	385
Department of Defense - Department of the Army, U. S. Army Research Office--Durham, Durham, North Carolina (Research Foundation Contract/Grant)	384
Department of Defense - Office of Naval Research, Arlington, Virginia (Research Foundation Contracts/Grants)	22, 24
Derby Hall Improvements	248, 283, 391
Development Fund Board of Directors	47
Dikewood Corporation (The), Albuquerque, New Mexico (Research Foundation Contract/Grant)	541
Dikewood Corporation, University Research Park, Albuquerque, New Mexico (Research Foundation Contract/Grant)	244
Disability Insurance Benefits	394
Distinguished Service Awards	4
Dodd Hall--South Parking Lot Renovation	41
Drinko, John D., Cleveland, Ohio (Gift)	359
Dunlap, George H., Columbus, Ohio (Gifts)	178, 390
du Pont, E. I., de Nemours & Company, Wilmington, Delaware	390
Duriron Company (The), Dayton, Ohio	358

E

Easement, Utility	283
Easements	43, 184, 250, 365, 393
Eastman Kodak Company, Rochester, New York	246
Edison Electric Institute, New York, New York	488
Education, College of	7, 523
Education Task Force through New Detroit, Inc., Detroit, Michigan	206

Educational Affairs Committee . . . . .	46
Edwards, Burris & Lockwood, Marion, Ohio . . . . .	391
Electric Power Equipment . . . . .	224, 250, 455
Electric Power Research Institute, New York, New York . . . . .	220
Electric Trunk Lines--Utility Substation . . . . .	279, 495, 552
Electrical Engineering, Department of . . . . .	272, 356, 489
Electrical Trunk Lines . . . . .	251
Emery, Olive H. (Mrs.), Helen K. Cooley, Paul E. Emery, Evelyn E. Kingan (Gift) . . . . .	348
Emery, Walter B. (The), Memorial Scholarship for Communication . . . . .	348
Endocrinology, Chair in, in the College of Medicine . . . . .	137
Engineering, College of . . . . .	7, 523
Engineering Experiment Station . . . . .	15, 144, 235, 337, 477, 521
Engle, Joe R., Coshocton, Ohio (Gift) . . . . .	349
Engle, Perry L. (The), Endowment Fund . . . . .	349
Environmental Protection Agency, Ecological Effects Branch, Processes and Effects Division, Washington, D. C. . . . .	208
Environmental Protection Agency, Headquarters, Support Pro- curement Section, Washington, D. C. . . . .	208
Environmental Protection Agency, National Environmental Research Center, Cincinnati, Ohio . . . . .	207
Environmental Protection Agency, Research Triangle Park, North Carolina . . . . .	210
Environmental Protection Agency, Washington, D. C. . . . .	149
Environmental Protection Agency, Washington, D. C. (Research Foundation Contracts/Grants) . . . . .	170, 445
Environmental Protection Agency, National Environmental Research Center, Research Triangle Park, North Carolina . . . . .	444, 446, 487
Equine Exercise Building (Agricultural Technical Institute at Wooster, Ohio) . . . . .	552
Evans Laboratory - Ventilation (Phase I, First Floor) . . . . .	494
Examination Fee (EM Credit) . . . . .	8
Executive Director of University Planning . . . . .	133
Executive Vice President . . . . .	133
Exxon Education Foundation, New York, New York . . . . .	390
Ezekelian, Siragan H., Bacteriology Fund . . . . .	222
Ezekelian, Siragan H., Estate of . . . . .	222

F

Facilities Services . . . . .	521
Farber Corporation . . . . .	182, 494
Fawcett Center for Tomorrow . . . . .	521
Fawcett Center for Tomorrow--Roadway Improvements . . . . .	279, 456, 548
Fawcett, Novice G., Chair in Educational Administration . . . . .	346, 357, 358
Fayette County Board of Education, Fayetteville, West Virginia . . . . .	444
Federal Aviation Administration . . . . .	42
Federal Highway Administration, Washington, D. C. . . . .	151
Fees . . . . .	7, 516, 523
Fergus, Robert H. (Gift) . . . . .	30

Finance Committee . . . . .	46
Finance and Treasurer, Office of . . . . .	14, 134, 143
Fiscal Affairs, Office of, and the Treasurer of the University . . . . .	143, 234, 336, 476
Flint Community Schools, Flint, Michigan . . . . .	482
Ford Foundation (The), New York, New York . . . . .	20, 206, 339
Ford Motor Company Fund, Dearborn, Michigan . . . . .	345, 544
Forging Industry Educational and Research Fund, Cleveland, Ohio . . . . .	161
Foundation for Endowment of a Chair at Ohio State University, Inc., New York, New York . . . . .	246, 544
France, Mervin B., Estate of, Cleveland, Ohio . . . . .	271
Franklin County Court of Common Pleas, Adult Probation Department, Columbus, Ohio . . . . .	270

G

Gager-Keim, Inc., Columbus, Ohio . . . . .	357
Gardiner, John H., Agency and Atkinson-Dauksch Agencies, Inc. . . . .	43
Garmhausen, Erwin J. (The), Memorial Fund . . . . .	274
Garmhausen, Marjorie Best (Gift) . . . . .	274
Gehres, Hewitt A., Mt. Vernon, Ohio (Gift) . . . . .	177, 348
Gehres, Hewitt A., Fund in Engineering . . . . .	348
General Electric Company, Cincinnati, Ohio . . . . .	28
General Maintenance & Engineering . . . . .	454
General Masonry Contractors, Inc., Marion, Ohio . . . . .	364
General Motors Corporation, Detroit, Michigan . . . . .	221, 390
General Motors Corporation Research Laboratories, Warren, Michigan . . . . .	246
Gerking Collection of Indiana Fishes (The) . . . . .	346
Gifts-in-Kind . . . . .	247, 248, 346
Gleason, Emmet Blakeney (The), Memorial Fund, Inc., Rochester, New York . . . . .	357
Glunz, H. V., Scholarship Fund . . . . .	347
Glunz, Herman Van Moss, Estate of . . . . .	347, 489, 543
Goslee, William T. . . . .	370
Goss Laboratory--Partial Remodeling, Phase II (Freight Elevator Modifications) . . . . .	364
Gossman, Viola B., Estate of, Columbus, Ohio . . . . .	357
Graduate School . . . . .	7, 523
Grange Mutual Casualty Company, Columbus, Ohio . . . . .	272
Graves, Grant O., Memorial Scholarship Fund . . . . .	162
Griffith Foundation Endowment Fund (The) . . . . .	545
Guard, Willard F., Memorial for Veterinary Surgery . . . . .	30, 160
Guard, Willard F., Trust of . . . . .	30, 160
Guard, Willard Frost (The), Trust, Silver Spring, Maryland . . . . .	160
Gund, George Foundation, (The), Cleveland, Ohio . . . . .	161, 272, 357
Guy, J. A., Inc. . . . .	224

H

Hagar, David . . . . .	458
Hagerty Hall Air Conditioning . . . . .	223, 283, 391

Harding, Lowry W. (Dr.), Columbus, Ohio (Gift) . . . . .	448
Harris, Edith R., Estate of . . . . .	273, 389
Harris, Edith R., Memorial Scholarship Fund . . . . .	273, 389
Hartford, John A., Foundation, (The), New York, New York . . . . .	160, 356
Hartford, John A., Foundation, (The), New York, New York (Research Foundation Contracts/Grants) . . . . .	27, 447
Hayes Hall, Fire Safety Improvements and Vivian Hall Remodeling . . . . .	223, 283
Health, Education, and Welfare, Department of, Education Division, National Institute of Education, Washington, D. C. (Research Foundation Contract/Grant) . . . . .	382
Health, Education, and Welfare, Department of, National Institute of Education, Washington, D. C. . . . .	18, 441
Health, Education, and Welfare, Department of, National Institute of Education, Washington, D. C. (Research Foundation Contracts/Grants) . . . . .	167, 172, 210, 212, 382
Health, Education, and Welfare, Department of, National Institute of Education, Contracts and Grants Management Division, Washington, D. C. . . . .	481
Health, Education, and Welfare, Department of, National Institute of Education, Contracts/Grants Management Division, Matomic Building, Washington, D. C. . . . .	350
Health, Education, and Welfare, Department of, Office of Child Development, Washington, D. C. (Research Foundation Contract/Grant) . . . . .	170
Health, Education, and Welfare, Department of, Office of Child Development, Child Welfare Research and Demonstration Grants Program, Washington, D. C. . . . .	149
Health, Education, and Welfare, Department of, Office of Education, Washington, D. C. . . . .	16, 17, 146-148, 151, 237-238, 262, 350, 479, 532-535
Health, Education, and Welfare, Department of, Office of Education, Washington, D. C. (Research Foundation Contracts/Grants) . . . . .	153, 154, 169
Health, Education, and Welfare, Department of, Office of Education, Bureau of Higher Education, Washington, D. C. . . . .	16, 19
Health, Education, and Welfare, Department of, Office of Education, Bureau of Libraries and Learning Resources, Washington, D. C. (Research Foundation Contracts/Grants) . . . . .	212
Health, Education, and Welfare, Department of, Office of Education, Contracts and Grants Division, Washington, D. C. (Research Foundation Contracts/Grants) . . . . .	339, 352
Health, Education, and Welfare, Department of, Office of Human Development, Washington, D. C. . . . .	381
Health, Education, and Welfare, Department of, Office of the Secretary, Washington, D. C. (Research Foundation Contract/Grant) . . . . .	156
Health, Education, and Welfare, Department of, Office of the Secretary, Procurements and Contracts, Washington, D. C. (Research Foundation Contract/Grant) . . . . .	267
Health, Education, and Welfare, Department of, Public Health Service, Chicago, Illinois . . . . .	533

Health, Education, and Welfare, Department of, Public Health Service, Bethesda, Maryland . . . . .	16-20, 146-151, 164-166, 204, 381, 441-443, 479-482, 532-535
Health, Education, and Welfare, Department of, Public Health Service, Alcohol, Drug Abuse and Mental Health Administration, National Institute of Mental Health, Bethesda, Maryland (Research Foundation Contracts/Grants) . . . . .	341, 353
Health, Education, and Welfare, Department of, Public Health Service, Bureau of Health Resources Development, Bethesda, Maryland . . . . .	262, 480, 481
Health, Education, and Welfare, Department of, Public Health Service, Center for Disease Control, National Institute of Occupational Safety and Health, Rockville, Maryland (Research Foundation Contract/Grant) . . . . .	386
Health, Education, and Welfare, Department of, Public Health Service, Food and Drug Administration, Rockville, Maryland (Research Foundation Contracts/Grants) . . . . .	153, 156, 240, 267
Health, Education, and Welfare, Department of, Public Health Service, Health Resources Administration, Bureau of Health Resources Development, Bethesda, Maryland . . . . .	533, 535
Health, Education, and Welfare, Department of, Public Health Service, Health Services and Mental Health Administration, Bethesda, Maryland . . . . .	146, 148
Health, Education, and Welfare, Department of, Public Health Service, Health Services and Mental Health Administration, National Institute of Mental Health, Bethesda, Maryland (Research Foundation Contracts/Grants) . . . . .	211, 239, 242
Health, Education, and Welfare, Department of, Public Health Service, Health Services and Mental Health Administration, Chicago, Illinois . . . . .	147
Health, Education, and Welfare, Department of, Public Health Service, Health Services and Mental Health Administration, National Institute of Mental Health, Rockville, Maryland (Research Foundation Contracts/Grants) . . . . .	207, 243
Health, Education, and Welfare, Department of, Public Health Service, Health Services and Mental Health Administration, National Institute of Mental Health, National Institute on Alcohol Abuse and Alcoholism, Bethesda, Maryland (Research Foundation Contract/Grant) . . . . .	168
Health, Education, and Welfare, Department of, Public Health Service, National Institute of General Medical Sciences, Bethesda, Maryland . . . . .	262
Health, Education, and Welfare, Department of, Public Health Service, National Institute of Mental Health, Rockville, Maryland (Research Foundation Contract/Grant) . . . . .	157
Health, Education, and Welfare, Department of, Public Health Service, National Institutes of Health, Bureau of Health Manpower Education, Bethesda, Maryland . . . . .	150, 164, 165, 204, 205, 238
Health, Education, and Welfare, Department of, Public Health Service, National Institutes of Health, Bureau of Health Manpower Education, Bethesda, Maryland (Research Foundation Contract/Grant) . . . . .	169

Health, Education, and Welfare, Department of, Public Health Service, National Institutes of Health, Bureau of Health Manpower Education, Division of Nursing, Bethesda, Maryland (Research Foundation Contract/Grant) . . . . .	23
Health, Education, and Welfare, Department of, Public Health Service, National Institutes of Health, Bureau of Health Manpower Education, Division of Physical and Health Professions Education, Bethesda, Maryland (Research Foundation Contract/Grant) . . . . .	484
Health, Education, and Welfare, Department of, Public Health Service, National Institutes of Health, Bureau of Health Resources Development, Bethesda, Maryland . . . . .	479, 480
Health, Education, and Welfare, Department of, Public Health Service, National Institutes of Health, Division of Nursing, Bethesda, Maryland (Research Foundation Contract/Grant) . . . . .	264
Health, Education, and Welfare, Department of, Public Health Service, National Institutes of Health, Division of Research Resources, Bethesda, Maryland (Research Foundation Contracts/Grants) . . . . .	21, 264, 445
Health, Education, and Welfare, Department of, Public Health Service, National Institutes of Health, National Cancer Institute, Bethesda, Maryland (Research Foundation Contracts/Grants) . . . . .	21, 25, 26, 152-154, 156, 171, 210, 241, 264, 266, 352, 383, 384, 386, 445, 484-486
Health, Education, and Welfare, Department of, Public Health Service, National Institutes of Health, National Eye Institute, Bethesda, Maryland (Research Foundation Contracts/Grants) . . . . .	152, 213, 340
Health, Education, and Welfare, Department of, Public Health Service, National Institutes of Health, National Heart and Lung Institute, Bethesda, Maryland (Research Foundation Contracts/Grants) . . . . .	21, 23, 152, 153, 156, 207-209, 211, 239, 265, 352, 353, 384, 444, 447, 486, 538, 539
Health, Education, and Welfare, Department of, Public Health Service, National Institutes of Health, National Institute of Allergy and Infectious Diseases, Bethesda, Maryland (Research Foundation Contracts/Grants) . . . . .	22, 152, 539, 541
Health, Education, and Welfare, Department of, Public Health Service, National Institutes of Health, National Institute of Arthritis, Metabolic and Digestive Diseases, Bethesda, Maryland (Research Foundation Contracts/Grants) . . . . .	22, 167, 240, 384, 385, 539
Health, Education, and Welfare, Department of, Public Health Service, National Institutes of Health, National Institute of Child Health and Human Development, Bethesda, Maryland (Research Foundation Contracts/Grants) . . . . .	23, 265, 444
Health, Education, and Welfare, Department of, Public Health Service, National Institutes of Health, National Institute of Dental Research, Bethesda, Maryland (Research Foundation Contract/Grant) . . . . .	446

Health, Education, and Welfare, Department of, Public Health Service, National Institutes of Health, National Institute of General Medical Sciences, Bethesda, Maryland, (Research Foundation Contracts/Grants) . . . . .	23, 24, 152, 155, 157, 158, 167, 242, 383, 445, 446, 539
Health, Education, and Welfare, Department of, Public Health Service, National Institutes of Health, National Institute of Mental Health, Bethesda, Maryland . . . . .	237
Health, Education, and Welfare, Department of, Public Health Service, National Institutes of Health, National Institute of Mental Health, Rockville, Maryland (Research Foundation Contract/Grant) . . . . .	171
Health, Education, and Welfare, Department of, Public Health Service, National Institutes of Health, National Institute of Neurological Diseases and Stroke, Bethesda, Maryland (Research Foundation Contracts/Grants) . . . . .	26, 153, 154, 167, 208-210, 240, 351, 385, 445, 538
Health, Education, and Welfare, Department of, Public Health Service, National Institutes of Health, National Library of Medicine, Bethesda, Maryland (Research Foundation Contracts/Grants) . . . . .	24, 264, 538
Health, Education, and Welfare, Department of, Public Health Service, National Institutes of Health, Office of the Director, Bethesda, Maryland (Research Foundation Contract/Grant) . . . . .	386
Health, Education, and Welfare, Department of, Public Health Service, National Institutes of Health, Office of the Director, Research Contracts Branch, Bethesda, Maryland (Research Foundation Contract/Grant) . . . . .	267
Health, Education, and Welfare, Department of, Region V, Social and Rehabilitation Service (Developmental Disabilities), Chicago, Illinois . . . . .	147
Health, Education, and Welfare, Department of, Region V, Social and Rehabilitation Service (Office of Manpower Development and Training), Chicago, Illinois . . . . .	165
Health, Education, and Welfare, Department of, Region V, Social and Rehabilitation Service - Rehabilitation Services, Chicago, Illinois . . . . .	20, 148, 150, 151
Health, Education, and Welfare, Department of, Region V, Social and Rehabilitation Service - Rehabilitation Training MR, Chicago, Illinois . . . . .	16
Health, Education, and Welfare, Department of, Region V, Social and Rehabilitation Service - RSA Developmental Disabilities, Chicago, Illinois . . . . .	18
Health, Education, and Welfare, Department of, Social and Rehabilitation Service, Office of Research and Demonstrations, Washington, D. C. (Research Foundation Contract/Grant) . . . . .	211
Health, Education, and Welfare, Department of, Social Security Administration, Baltimore, Maryland (Research Foundation Contract/Grant) . . . . .	153



Health, Education, and Welfare, Department of, Social and Rehabilitation Service, Rehabilitation Services Administration, Washington, D. C. (Research Foundation Contract/Grant)	207
Health, Education, and Welfare, Department of, Social Security Administration, Baltimore, Maryland (Research Foundation Contract/Grant)	540
Health, Physical Education, and Recreation, School of	7, 523
Heapy and Associates	248, 283, 391
Hebrew Language and Literature, Division of	468
Henry, L. D., Inc.	393
High, Charles F., Foundation (The), Bucyrus, Ohio	246, 390, 489
Hirsch, Gustav, Organization	41
Hoag, Robert S., Columbus, Ohio (Gift)	360
Hoag, Robert S. (The), Golf Scholarship Fund	360
Hoffmann-LaRoche, Inc., Nutley, New Jersey	448
Holmes, Douglas J.	465
Honorary Degrees	504
Houston, Janet French, Estate of, Newark, New Jersey	177
Howard, Jess, Electric Co.	364, 495, 550
Huffman-Wolfe Company	281
Hull-McNutt Contractors, Cleveland, Ohio	364
Humanities, College of	7, 523
Hunt, William E., M. D., Columbus, Ohio (Gift)	358
Huntington National Bank (The)	29
Hyman, Olline G., Estate of, Columbus, Ohio	272, 390, 448, 489

I

IBEW Local 683, Columbus, Ohio	177
Iddings, Andrew S., Dayton, Ohio (Gift)	357
Iddings, Roscoe C., Benevolent Trust, Dayton, Ohio	357
Illuminating Engineering Research Institute, New York, New York (Research Foundation Contracts/Grants)	214, 447
Improvements for the Handicapped, Phase III (Building Improvements - Elevator)	224
Indiana University, Bloomington, Indiana	382
Insurance Committee	44, 46, 225, 394, 553, 554
Intercollegiate Athletics	521
Interior, Department of the, Bureau of Sport Fisheries and Wildlife, Washington, D. C.	238, 481
Interior, Department of the, Fish and Wildlife Service, Washington, D. C. (Research Foundation Contract/Grant)	156
Interior, Department of the, Fish and Wildlife Service, Bureau of Sport Fisheries and Wildlife, Washington, D. C. (Research Foundation Contracts/Grants)	210-212
Interior, Department of the, National Park Service, Northeast Region Office, Philadelphia, Pennsylvania (Research Foundation Contract/Grant)	268
International Brotherhood of Electrical Workers, Local 683, Columbus, Ohio	490
International Copper Research Association, Inc., New York, New York	245

International Lead Zinc Research Organization, Inc., New York, New York . . . . .	173
International Nickel Company of Canada, Ltd., New York, New York . . . . .	177
Interstate Construction . . . . .	183

J

Jackson County Area Extension Center . . . . .	185, 362, 453, 457
Jennings, Martha Holden, Foundation, Cleveland, Ohio . . . . .	160
Johnson & Johnson, East Windsor, New Jersey . . . . .	390
Johnson, Mary Lou (Gift) . . . . .	163
Johnson, Mary Lou, Ophthalmology Fund . . . . .	163
Jones, Edwin W. (Gift) . . . . .	276
Jones, Elizabeth D., Estate of, Cincinnati, Ohio. . . . .	489
Jones & Stuckey, Ltd. . . . .	278
Jones Tower . . . . .	376, 377
Journalism Building Expansion. . . . .	251
Journalism, School of. . . . .	7, 523
Joyce, Glenna R., Scholarship Fund . . . . .	271
Joyce, Glenna R., Trust under the Will of, Columbus, Ohio . . . . .	271
Justus, Henry A., Inc., Columbus, Ohio . . . . .	550

K

Kahliff, Margaret W. (Mrs.), Elyria, Ohio (Gift) . . . . .	346
Kal Kan Foods, Incorporated, Columbus, Ohio (Research Foundation Contract/Grant) . . . . .	388
Kettering, Charles F., Foundation, Dayton, Ohio . . . . .	382
Kettering, Charles F., Foundation, Dayton, Ohio (Research Foundation Contract/Grant) . . . . .	269
Keystone Steel and Wire Division, Peoria, Illinois . . . . .	245
Kilman, James W., M. D., Columbus, Ohio (Gift) . . . . .	161
Kimberly, Charles H., Professorship in Chemistry . . . . .	512
Kimberly, Charles H., Professorship in Pharmacy . . . . .	513
Kimberly, Charles H., Trusts, New York, New York . . . . .	356
King, Dorothy D., Estate of . . . . .	346
Kiplinger Foundation, Inc. (The), Washington, D. C. . . . .	489
Kraus, John D., Delaware, Ohio (Gift) . . . . .	448
Krebs, Betty J., Memorial Fund . . . . .	546
Krebs, G. Alfred, Sr., Newark, Ohio (Gift). . . . .	546
Krumm, Mrs. Tahlman, Columbus, Ohio (Gift) . . . . .	358
Kurtz, Ralph W. (Mrs. and Mrs.), Tampa, Florida (Gift). . . . .	178

L

Labor, Department of, Manpower Administration, Washington, D. C. (Research Foundation Contract/Grant) . . . . .	484
Labor, Department of, Manpower Administration, Office of Research and Development, Washington, D. C. (Research Foundation Contract/Grant) . . . . .	266
Labrenz Riemer, Incorporated, Columbus, Ohio. . . . .	488
Lane Manor Apartments . . . . .	376, 378

Laneview Service Center--Railroad Siding . . . . .	183
Larison, A. Z., /Local 683 I. B. E. W. Scholarship Fund . . . . .	490
Law Building Library--Improvements . . . . .	280, 454, 455, 551
Law Building Library, Relighting . . . . .	181, 250
Law, College of . . . . .	7, 523
Lazarus, F. & R. (The), Company . . . . .	221, 356, 489
Lazarus, Robert, Estate of, Columbus, Ohio . . . . .	245
Lazarus, Robert, Student Loan Fund . . . . .	221, 356, 489
Lazenby Hall, Optometry Building (Part I), Physical Education Building, Interior Painting, 1974 . . . . .	278, 393
Lease Agreement . . . . .	456
Leases . . . . .	185
Legg & Davis, Inc. . . . .	456, 548
Leukemia Society of America, New York, New York (Research Foundation Contract/Grant) . . . . .	174
Lilliston Corporation, Albany, Georgia . . . . .	271
Lilly, Eli, and Company, Indianapolis, Indiana . . . . .	29, 160
Lima Campus . . . . .	522
Lima Campus--New Recreational Area . . . . .	548
Lima Campus, Phase IV . . . . .	452
Lima Campus - The Ohio State University . . . . .	43
Limbach Company . . . . .	224, 550
Lincoln, J. F., Family Foundation, Cleveland, Ohio . . . . .	160
Lincoln Tower . . . . .	124
Lincoln Tower Remodeling for the College of Social and Behavioral Sciences . . . . .	277
Lloyd, Florence Leone (Gifts) . . . . .	161, 177
Lloyd, Florence Leone, Scholarship Fund . . . . .	161, 177
Lonz, George F., Foundation, Middle Bass, Ohio . . . . .	221, 272, 358, 544
Lord Hall, North Wing--Repair of Masonry Parapet Walls . . . . .	279, 454
Lorenz, Williams, Lively & Likens, Dayton, Ohio . . . . .	277
Lubrizol Foundation (The), Cleveland, Ohio . . . . .	221
Lurie, Bernard, Memorial Scholarship Fund (The) . . . . .	359
Lurie, John M., Columbus, Ohio (Gift) . . . . .	359

M

Madison Public Schools, Madison, Wisconsin . . . . .	483
Madison Township Local Schools, Trotwood, Ohio . . . . .	483
Mahoning County Area Extension Center . . . . .	362, 457, 493
Mahoning County Commissioners . . . . .	185
Main Library Addition . . . . .	277, 366
Major Frame-Crete, Inc., Brice, Ohio . . . . .	176
Major Medical Coverage for Retirees and Dependents . . . . .	225, 553
Mall, Richard M., Memorial Scholarship Fund . . . . .	491
Mansfield Asphalt Paving Company, Mansfield, Ohio . . . . .	42
Mansfield Campus . . . . .	160, 522
Mansfield Campus, Phase IV . . . . .	391, 551
Mansfield Campus--Recreational Facility . . . . .	493
Mansfield Campus--Repair and Resurface Parking Facilities . . . . .	42
Mansfield O. S. U. Scholarship Fund, Mansfield, Ohio . . . . .	160
Marion Campus . . . . .	184, 522
Marion Campus, Phase II . . . . .	391, 551
Marion County Engineers . . . . .	184

Marsh, Don F., Dublin, Ohio (Gift)	390
Marshall County Schools, Moundsville, West Virginia	537
Martin Marietta Corporation, Denver, Colorado (Research Foundation Contract/Grant)	244
Master of Arts (Black Studies)	256
Mathematics and Physical Sciences, College of	7, 523
Mays, Lewell N., Bloomfield Hills, Michigan (Gift)	245
McNeal, R. Richard, Columbus, Ohio (Gift)	492
McNeal, R. Richard, Scholarship Fund (The)	492
McPherson Laboratory--Repair and Replacement of Roof and Deck	40, 183
Means Hall--Renovation of Elevators	493
Meats Laboratory	521
Mechanical Specialities	281, 455
Meckstroth, Charles V., M.D., Columbus, Ohio (Gift)	160
Medical Advances Institute, Columbus, Ohio (Research Foundation Contracts/Grants)	173, 354
Medical Care Insurance Plan for Eligible Retired Employees and Dependents	554
Medicine, College of	7, 373, 523
Medicine, College of, Progress Fund	246
Merck Company Foundation, Rahway, New Jersey	177
Metal Properties Council (The), United Engineering Center, New York, New York (Research Foundation Contracts/Grants)	219
Meyer, A. L., Construction Company	224, 494
Mid-City Electric Company	182, 282
Mid-Western Mechanical	550
Miles Laboratories, Inc., Elkhart, Indiana	356
Miller, Beatrice M., Estate of, Warren, Ohio	449
Miller, Beatrice M., Memorial Fund	449
Miller-Davis Electric Company	280, 281
Milwaukee Public Schools, Milwaukee, Wisconsin	483
Mirk, Inc., Orrville, Ohio	393
Mirror Lake--Additional Lighting, Amphitheater Area	181
Mirror Lake--Supplemental Safety Lighting, Amphitheater Area	280
Model Secondary School for the Deaf, Office of Business Affairs, Washington, D. C. (Research Foundation Contract/Grant)	243
Modern Language Association of America, Center for Editions of American Authors, New York, New York (Research Foundation Contract/Grant)	243
Moffitt, Melvin E., Estate of, San Antonio, Texas	246
Monks, W. E.	223, 283, 391, 492
Monsanto Research Corporation, Dayton, Ohio	345, 389
Moores, Harry C., Foundation, Columbus, Ohio	272
Morris Animal Foundation, Denver, Colorado (Research Foundation Contract/Grant)	344
Morrison Tower	376, 377
Mueller, V., Chicago, Illinois	448
Muscular Dystrophy Association of America, New York, New York (Research Foundation Contract/Grant)	159
Muscular Dystrophy Associations of America, Inc., New York, New York	206
Music, School of	7, 523

N

Named Chairs . . . . .	137, 191
Named Professorships . . . . .	512, 513
Naming of Building . . . . .	231, 259
National Aeronautics and Space Administration, Washington, D. C. (Research Foundation Contracts/Grants) . . . . .	243, 264, 266, 446
National Aeronautics and Space Administration, Ames Research Center, Moffett Field, California (Re- search Foundation Contracts/Grants) . . . . .	171, 241, 242
National Aeronautics and Space Administration, Goddard Space Flight Center, Greenbelt, Maryland (Research Foundation Contracts/Grants) . . . . .	21, 239, 241, 382, 538
National Aeronautics and Space Administration, Langley Research Center, Hampton, Virginia (Research Foundation Contracts/Grants) . . . . .	153, 266, 340, 385
National Aeronautics and Space Administration, Lewis Research Center, Cleveland, Ohio (Research Foundation Contracts/Grants) . . . . .	167, 539
National Commission on Productivity, Washington, D. C. (Research Foundation Contract/Grant) . . . . .	170
National Endowment for the Arts, Washington, D. C. (Research Foundation Contract/Grant) . . . . .	267
National Endowment for the Humanities, Washington, D. C. . . . .	20
National Endowment for the Humanities, Washington, D. C. (Research Foundation Contracts/Grants) . . . . .	169, 171
National Endowment for the Humanities, Office of Special Projects, Washington, D. C. (Research Foundation Contract/Grant) . . . . .	383
National Institute of Education, Contracts/Grants Management Division, Washington, D. C. . . . .	339
National Machinery Foundation, Inc., Tiffin, Ohio . . . . .	161
National Multiple Sclerosis Society, New York, New York (Research Foundation Contract/Grant) . . . . .	354
National Science Foundation, Washington, D. C. . . . .	20, 151, 262, 350, 381, 443, 479
National Science Foundation, Washington, D. C. (Research Foundation Contracts/Grants) . . . . .	22, 23, 25, 26, 155, 157, 170, 207-210, 212, 213, 239-242, 264-267, 341, 342, 351-354, 383-387, 447, 486, 487, 539, 540
National Steel Corporation, Weirton, West Virginia . . . . .	489
National Surety Corporation . . . . .	553
National Training Fund of the Sheet Metal and Air Conditioning Industry, Washington, D. C. . . . .	381
National Tuberculosis and Respiratory Disease Association, New York, New York (Research Foundation Contracts/Grants) . . . . .	173, 214
Nationwide Mutual Insurance Company, Columbus, Ohio . . . . .	356
Natural Resources, School of . . . . .	7, 282, 346, 523
Navy, Department of the, Arlington, Virginia (Research Foundation Contract/Grant) . . . . .	486

Navy, Department of the, Naval Air Development Center, Warminster, Pennsylvania (Research Foundation Contracts/Grants)	155, 209
Navy, Department of the, Naval Air Systems Command, Washington, D. C. (Research Foundation Contract/Grant).	340
Navy, Department of the, Naval Regional Procurement Office, Officer-in-Charge, Long Beach, California (Research Foundation Contract/Grant)	487
Navy, Department of the, Naval Regional Procurement Office, Philadelphia Newport Division, Newport, Rhode Island (Research Foundation Contract/Grant)	207
Navy, Department of the, Office in Charge, Naval Regional Procurement Office, Long Beach, California (Research Foundation Contract/Grant)	340
Navy, Department of the, Office of Naval Research, Arlington, Virginia (Research Foundation Contracts/Grants)	168, 241, 265, 267, 340, 341, 351, 385, 485-487, 538
Navy, Department of the, Office of Naval Research, Procuring Contracting Officer, Arlington, Virginia (Research Foundation Contract/Grant)	341
Navy, Department of the, Supply Officer, Navy Recruiting Area Four, Columbus, Ohio	482
Neil Hall	376, 378
Neilwood Gables Apartments	376, 378
Newark Campus	522
Newark Campus Citizens Advisory Committee, Newark, Ohio	356
Newark Campus--New Parking Facility	40
Newark Campus, Phase II	251
Newark Campus Scholarship Fund	356
New York, City of, Health Services Administration, New York, New York (Research Foundation Contract/Grant).	269
Nicklaus, Jack W., North Palm Beach, Florida (Gift)	358
Nicklaus, L. Charles, Golf Scholarship Fund (The)	358
Nielsen, Harald H., Memorial Fund	33
NOBA, Inc., Tiffin, Ohio	221, 448
North Atlantic Treaty Organization Headquarters, Belgium (Research Foundation Contract/Grant)	388
North Campus Apartments	376, 378
Northwest Parking Ramp	182
Nursing, School of	7, 523

. O

OARDC Agenda Review Committee	47
Obstetrics-Gynecology, Department of, Inc., Columbus, Ohio.	160, 178
Obstetrics and Gynecology Endowment Fund, Department of	178
Official Shield	258
Ohio Agricultural Research and Development Center Board of Control	185
Ohio Board of Regents	394
Ohio Board of Regents, Columbus, Ohio.	206, 536
Ohio Casualty Insurance Company	43
Ohio Electric Utility Institute, Columbus, Ohio	272, 356, 489

Ohio Florists Association, Columbus, Ohio . . . . .	161
Ohio Lions Eye Research Foundation, Springfield, Ohio . . . . .	271
Ohio National Bank (The) . . . . .	29
Ohio Power Company, Canton, Ohio (Research Foundation Contracts/Grants). . . . .	173
Ohio Program in the Humanities (The), Columbus, Ohio (Research Foundation Contracts/Grants) . . . . .	28, 388, 447
Ohio Real Estate Commission, Columbus, Ohio . . . . .	149
Ohio Stadium--Additional Rest Room Facilities . . . . .	277, 392, 550
Ohio Stadium--All Weather Track . . . . .	278, 392, 549
Ohio - State of, Department of Economic and Community Development, Columbus, Ohio . . . . .	238
Ohio - State of, Department of Economic and Community Development, Columbus, Ohio (Research Foundation Contract/Grant) . . . . .	387
Ohio - State of, Department of Economic and Community Development, Administration of Justice Division, Columbus, Ohio . . . . .	537
Ohio - State of, Department of Economic and Community Development, Administration of Justice Division, Columbus, Ohio (Research Foundation Contract/Grant) . . . . .	342
Ohio - State of, Department of Education, Columbus, Ohio . . . . .	149, 339, 350, 536
Ohio - State of, Department of Education, Division of Special Education, Columbus, Ohio . . . . .	339, 351
Ohio - State of, Department of Education, Division of Vocational Education, Columbus, Ohio . . . . .	146, 164, 205, 206, 263
Ohio - State of, Department of Education, Division of Vocational Education, Agricultural Education Service, Columbus, Ohio . . . . .	536
Ohio - State of, Department of Education, Drug/Health Education Section, Columbus, Ohio . . . . .	205
Ohio - State of, Department of Health, Columbus, Ohio . . . . .	206, 238, 443
Ohio - State of, Department of Health, Columbus, Ohio (Research Foundation Contracts/Grants). . . . .	268, 269, 541
Ohio - State of, Department of Highways, Columbus, Ohio . . . . .	543
Ohio - State of, Department of Industrial Relations, Columbus, Ohio . . . . .	270
Ohio - State of, Department of Industrial Relations, Columbus, Ohio (Research Foundation Contracts/Grants) . . . . .	268, 354
Ohio - State of, Department of Liquor Control, Columbus, Ohio (Research Foundation Contract/Grant) . . . . .	26
Ohio - State of, Department of Mental Health and Mental Retardation, Chillicothe, Ohio (Research Foundation Contract/Grant) . . . . .	27
Ohio - State of, Department of Mental Health and Mental Retardation, Columbus, Ohio (Research Foundation Contracts/Grants) . . . . .	27, 172, 387
Ohio - State of, Department of Mental Health and Mental Retardation, Division of Administration on Aging, Columbus, Ohio (Research Foundation Contract/Grant) . . . . .	268
Ohio - State of, Department of Mental Health and Mental Retardation, Division of Forensic Psychiatry, Columbus, Ohio (Research Foundation Contracts/Grants) . . . . .	213, 488, 541

Ohio - State of, Department of Mental Health and Mental Retardation, Division of Management Services, Columbus, Ohio (Research Foundation Contract/Grant)	243
Ohio - State of, Department of Mental Health and Mental Retardation, Division of Mental Retardation, Columbus, Ohio (Research Foundation Contract/Grant)	342
Ohio - State of, Department of Mental Health and Mental Retardation, Division of Mental Retardation and Developmental Disabilities, Columbus, Ohio	263
Ohio - State of, Department of Natural Resources, Columbus, Ohio	175, 270, 536
Ohio - State of, Department of Natural Resources, Division of Wildlife, Columbus, Ohio	17, 18, 536, 537
Ohio - State of, Department of Rehabilitation and Corrections, Columbus, Ohio (Research Foundation Contracts/Grants)	27, 28, 219, 269, 388
Ohio - State of, Department of State Personnel, Division of Intergovernmental Personnel and Training, Columbus, Ohio	20
Ohio - State of, Department of Transportation, Columbus, Ohio	29, 175, 176, 220, 245, 270, 389
Ohio - State of, The Ohio Advisory Council for Vocational Education, Columbus, Ohio	482
Ohio - State of, Ohio Bureau of Employment Services, Columbus, Ohio (Research Foundation Contract/Grant)	172
Ohio State University (The), Columbus, Ohio	271
Ohio State University Development Fund (The)	15, 144, 235, 337, 477
Ohio State University Hospitals (The)	552
Ohio State University Research Foundation (The)	14, 143, 234, 336, 476, 521
Ohio State University Women's Club (The), Columbus, Ohio	544
Ohio Turfgrass Foundation, Columbus, Ohio	29
Ohio Valley Health Services Foundation, Inc. (The), Athens, Ohio (Research Foundation Contract/Grant)	342
Optometry, College of	7, 523
Optometry, College of, Clinical Facility	251
Organon, Inc., West Orange, New Jersey	30
Orientation and Registration Fee	6
Orton, Edward, Jr., Ceramic Foundation (The), Columbus, Ohio	161
Otis Elevator Company	364
Ott Farm, Ashland County, Ohio (Purchase of Buildings and Property)	365, 394
Owens Illinois Technical Center, Toledo, Ohio	389

P

Page Southerland Page	285
Paint Research Institute, Philadelphia, Pennsylvania (Research Foundation Contract/Grant)	542
Parking Facilities	521
Parking Lot Renovation--Eleventh and Worthington Avenues	494
Parsons, James E.	465
Payt Construction Company	281
Pennsylvania Separator Company, Brookville, Pennsylvania	389
Petroleum Research Fund, American Chemical Society, Washington, D. C. (Research Foundation Contract/Grant)	388



Pfizer, Inc., New York, New York . . . . .	220, 245
Pharmaceutical Manufacturers Association Foundation, Inc. (The), Washington, D. C. . . . .	390
Pharmacy, College of . . . . .	7, 523
Phi Beta Psi Sorority, Grand Chapter, Muncie, Indiana . . . . .	221
Philips Roxane Laboratories, Inc. (Subsidiary of North American Roxane), Columbus, Ohio (Research Foundation Contract/Grant) . . . . .	269
Physical Education Building--Improvements (Phase I, Floor) . . . . .	453
Planning Systems Corporation, Columbus, Ohio . . . . .	382
Plans and Specifications . . . . .	40, 41, 181, 249, 278-280, 363, 392, 453, 454, 493, 494, 548
Plunger-Lift Elevator . . . . .	224
Porthouse Charitable Trust (The), Kent, Ohio . . . . .	246
PPG Industries Foundation, Pittsburgh, Pennsylvania . . . . .	489
Pressey, Sidney L. (Dr.) (Gift) . . . . .	29
Pressey, Sidney L. and Alice, Scholarship in Psychology . . . . .	29
Prindle, Patrick, and Partners, Cleveland, Ohio . . . . .	176
Procter & Gamble Company (The), Cincinnati, Ohio . . . . .	161, 177, 220, 544
Procter & Gamble Company (The), Cincinnati, Ohio (Research Foundation Contracts/Grants) . . . . .	172, 218, 219
Program 65 . . . . .	286, 326
Prudential Life Insurance Company of America . . . . .	44
Public Administration, Division of . . . . .	503
Public Administration, School of . . . . .	503

R

Rachelwood Wildlife Research Preserve, Pittsburgh, Pennsylvania (Research Foundation Contract/Grant) . . . . .	388
Ralston Purina Company, St. Louis, Missouri . . . . .	178
Reco Electric . . . . .	455
Recreation, Physical Education, Intramural Facilities . . . . .	552
Refractories Institute, Pittsburgh, Pennsylvania . . . . .	177, 390
Regional Campuses . . . . .	513
Report of Auditor of State to The Ohio State University . . . . .	457
Report of Auditor of State - The Ohio State University Hospitals . . . . .	496, 555
Report on the University's Investment Portfolio . . . . .	45, 186, 225, 252, 287, 367, 395, 457, 496, 555
Research Corporation, New York, New York (Research Foundation Contract/Grant) . . . . .	343
Research Foundation Board of Directors . . . . .	47
Residence Hall Room and Board Rates and Rentals for North Campus Apartments . . . . .	376
Residence Halls, Undergraduate . . . . .	376, 377
Retirees and Dependents, Extension of Medical Coverage for . . . . .	225, 553
Rhode Island Department of Education, Vocational Education Core Group, Providence, Rhode Island . . . . .	382
Riley, James R., Worthington, Ohio (Gift) . . . . .	160
Rinhart Collection of Daguerreian Art . . . . .	357
Ritz Paving Company, Inc. . . . .	183
Rockefeller Foundation (The), New York, New York . . . . .	537

Rockwell International Corporation, Columbus, Ohio (Research Foundation Contract/Grant)	158
Rockwell International Corporation, Columbus Aircraft Division, Columbus, Ohio (Research Foundation Contracts/Grants)	244, 343
Roessler, Anna, Trust Under the Will of, Columbus, Ohio	29, 448, 490
Rohm & Haas Company, Philadelphia, Pennsylvania	30, 544
Ross, Ed, Construction Co.	182, 454
Ross, Richard M., Columbus, Ohio (Gift)	357
ROTC Building	231
Roth, Lester L., Estate of	30
Royer Commons	259
Royer Student Activities Center	259
Ruhlin, John G., Construction Co. (The), Akron, Ohio	182
<u>Rules for the University Faculty</u>	8, 191, 232, 256, 329, 330, 374, 437, 438, 504
Runyon, Damon, Memorial Fund, New York, New York (Research Foundation Contract/Grant)	343

S

Salinas Union High School District, Salinas, California	482
Samborn, Steketee, Otis and Evans, Inc., Toledo, Ohio	180
Sauer, Inc.	281
Scarff, Maxwell M. (The), Fund	275
Scarlet Mask Alumni Fund	33
Schering Corporation, Bloomfield, New Jersey	221
Schering Corporation, Kenilworth, New Jersey (Research Foundation Contract/Grant)	344
Scott, Louise Orr, Foundation, Columbus, Ohio	271, 390, 544
Searle Diagnostic, Inc., Columbus, Ohio	177, 272
Shaman, Sol D., Memorial Fund (The)	450
Shell Chemical Company, San Ramon, California (Research Foundation Contract/Grant)	158
Shell Companies Foundation, Houston, Texas	272
Sherman, John King and Gussie Greener, Class of 1901 Scholarship Fund (The)	451
Shuler, Harvey A. and Mary Grace Holliday, Scholarship Fund (The)	545
Shuler, Harvey A., Detroit, Michigan (Gift)	545
Sick Leave Policy	128, 232
Sisson Hall--Air Conditioning and Electrical Renovation	42
Sloan, A. P., Foundation, New York, New York	176
Small Business Administration, Washington, D. C.	238
Smucker, Paul H., Fund (The)	34
Snyder, D. P., Estate of, Columbus, Ohio	346
Social and Behavioral Sciences, College of	7, 523
Social Work, School of	7, 523
Spencer, John W., and Associates	223, 283
Squibb, E. R., & Sons, Inc. (Research Foundation Contract/Grant)	214
Stadium Dormitories	376, 377
State Automobile Mutual Insurance Company	346
State, Department of, Agency for International Development, Washington, D. C.	16, 17, 19
Statistics, Department of	258
Statistics, Division of	258

Steel Founders' Society of America, Rocky River, Ohio (Research Foundation Contract/Grant)	542
Steffel, Victor L., American Prosthodontic Society Fund (The)	449
Stephenson, Edward C. and Hazel L., Foundation, Grosse Pointe Woods, Michigan	356
Stern Fund, New York, New York	489
Stillman Hall, Renovation of	251
Stockum, Alfred E., M. D., Columbus, Ohio (Gift)	357
Stokes, C. Howard, Estate of, Cleveland, Ohio	245
Straumann, Fritz, Waldenburg, Switzerland (Gifts)	178, 221
Strong, Hope, Memorial Fund	451
Student Health Services	521
Student Housing	521
Student Programs and Development, Office of	232
Student Unions	521
Substation C - Underground Cables and Equipment	42, 364, 394
Sullivant, Joseph, Hall Remodeling	281, 282, 366
Summers, Harriette C. Jones and Mary E. Jones Mason, Memorial Fund (The)	276
Swiatek and Grutsch, Columbus, Ohio	362

T

Taft Broadcasting Company	456, 496
Tax Deferred Annuity Proposal	44
Teachers Insurance and Annuity Association and College Retirement Equities Fund	44, 394
Tennis Courts--New Locations	279
Tennis Courts - Repairs and Restoration	183
Texaco, Inc., New York, New York	246
Thomas, John Ross, Fund (The)	275
Toledo Edison Company (The), Toledo, Ohio	174
Transfer of Earned Indirect Costs	35
Transfer to Plant Funds	38
Trans-Ohio Pipeline Company	42
Transportation, Department of, Washington, D. C. (Research Foundation Contract/Grant)	340
Transportation, Department of, Federal Highway Administration, Washington, D. C. (Research Foundation Contracts/Grants)	208, 353
Transportation, Department of, National Highway Traffic Safety Administration, Washington, D. C. (Research Foundation Contracts/Grants)	208, 210
Trott & Bean Associates	277
"Trustee Day"	190, 230, 367
2750th Air Base Wing-PMA, Special Procurement Branch, Building 2, Area C, Wright-Patterson Air Force Base, Ohio	237

U

Undergraduate Residence Halls	377
Union Carbide Corporation, Nuclear Division, Oak Ridge, Tennessee (Research Foundation Contracts/Grants)	244, 354, 488

Union Carbide Corporation, Tarrytown, New York (Research Foundation Contract/Grant) . . . . .	28
United Fund Health Foundation, Canton, Ohio (Research Foundation Contract/Grant) . . . . .	159
United Jewish Fund of Columbus, Ohio . . . . .	245
University Airport . . . . .	521
University Bookstores . . . . .	521
U. S. Agency for International Development, APO, New York (Research Foundation Contract/Grant) . . . . .	22
U. S. Atomic Energy Commission, Chicago Operations Office, Argonne, Illinois (Research Foundation Contracts/Grants) . . . . .	209, 212, 382, 383, 385, 485
U. S. Atomic Energy Commission, Washington, D. C. . . . .	150
U. S. Civil Service Commission, Washington, D. C. (Research Foundation Contract/Grant) . . . . .	446
U. S. Civil Service Commission, Bureau of Training, Washington, D. C. (Research Foundation Contracts/Grants) . . . . .	342
U. S. Civil Service Commission, Bureau of Training, Management Sciences Training Center, Washington, D. C. (Research Foundation Contracts/Grants) . . . . .	242, 353
U. S. Civil Service Commission, Denver Regional Training Center, Denver, Colorado (Research Foundation Contract/Grant) . . . . .	242
U. S. Civil Service Commission, Management Sciences Training Center, Washington, D. C. (Research Foundation Contract/Grant) . . . . .	353
U. S. Department of Agriculture, Animal and Plant Health In- spection Service, Scientific and Technical Services, Washington, D. C. (Research Foundation Contract/Grant) . . . . .	447
U. S. Department of the Interior, Washington, D. C. . . . .	175, 176
U. S. Department of Interior, Bureau of Sport Fisheries and Wildlife, Washington, D. C. . . . .	166
U. S. Department of Justice, Law Enforcement Assistance Administration, Des Plaines, Illinois . . . . .	204, 350
U. S. Department of Labor, Manpower Administration, Washington, D. C. . . . .	148
U. S. Department of Labor, Manpower Administration, Washington, D. C. (Research Foundation Contracts/Grants) . . . . .	24, 239
U. S. Department of Transportation, Federal Highway Administra- tion, Washington, D. C. (Research Foundation Contracts/ Grants) . . . . .	24, 353
U. S. Department of Transportation, Federal Highway Administra- tion, Contracts and Procurement Division, Washington, D. C. (Research Foundation Contract/Grant) . . . . .	239
U. S. Environmental Protection Agency, Washington, D. C. . . . .	149
U. S. Postal Service, Washington, D. C. (Research Foundation Contract/Grant) . . . . .	171
U. S. Postal Service, Support Group, Washington, D. C. (Research Foundation Contract/Grant) . . . . .	267
University Activities Center . . . . .	29, 30, 160, 180, 245, 246, 346, 356, 357, 358, 390
University Airport . . . . .	250, 521
University Airport - Ground Control Landing Approach System . . . . .	42

University of Alaska, Tundra Biome Center, College, Alaska (Research Foundation Contracts/Grants)	174
University Budget	121, 124, 331, 469, 513
University College	7, 523
University College Building No. 13	469
University College Phase III - (Building No. 13)	251
University Hall Complex	251
University Hospital - Air Conditioning Improvements	492
University Hospital--Equipment Room Ventilation	40, 281
University Hospital, Intensive Care Unit Alteration	249
University Hospital--New Desuperheating Station, North Wing	183
University Hospitals	521
University of Oklahoma, Norman, Oklahoma (Research Foundation Contract/Grant)	488
University Organizational Structure, Improvements in	128
University of Pittsburgh, Pittsburgh, Pennsylvania (Research Foundation Contract/Grant)	344
University of Puerto Rico, Rio Piedras, Puerto Rico	263
University of Rochester, Rochester, New York (Research Foundation Contract/Grant)	447
University of Washington, Seattle, Washington (Research Foundation Contracts/Grants)	214, 388
University Regional Campuses	7, 523
Upham Hall--Air Conditioning and Electrical Improvements	181, 455
Upjohn Company (The), Kalamazoo, Michigan	221, 448, 544
Upper Arlington, City of, Upper Arlington, Ohio	159

V

Van Lennep, Frederick L. (Mr. and Mrs.), Lexington, Kentucky (Gift)	220
Variable Annuity Life Insurance Company	44
Vasko, John S., M. D., Pickerington, Ohio (Gift)	154
Veterinary Clinic Property, Marysville, Ohio	283
Veterinary Hospital--Connecting Road	363
Veterinary Medicine, College of	7, 523
Vice President for Administrative Operations	133
Vivian Hall Partial Remodeling	453

W

Walkup, Joseph K., and Sons, David W., Robert E., and John D. Walkup, Ames, Iowa (Gift)	361
Walkup, Wildah Turnbull, Memorial Fund (The)	361
Waller & Lund, Inc.	183
Washburn, Grace High, Trust (The), Bucyrus, Ohio	246, 390, 489
Watts Hall--Masonry Repair	454
Weed, Ithamar D., and Sally Lemert Weed (Gift)	273
Weed-Lemert Fund (The)	273
Weigel, Eugene John, Estate of, Columbus, Ohio	490

Welding Engineering Building--Exterior Masonry Repairs. . . . .	279, 364
Wendland, Glenn, Property, West Boundary of Barneby Center, Fairfield County (Purchase of Buildings and Property) . . . . .	282, 366
West Campus--Fifth Building . . . . .	184
West Hall . . . . .	469
Westinghouse Educational Foundation, Pittsburgh, Pennsylvania . . . . .	489
Whirlpool Corporation, Benton Harbor, Michigan (Research Foundation Contract/Grant) . . . . .	271
Wildermuth, E. F., Foundation, Columbus, Ohio . . . . .	177
Williams, Harriett Pughsley . . . . .	458
Wilson, Florence O., Oklahoma City, Oklahoma (Gift) . . . . .	390
Wisconsin, State of, Board of Vocational, Technical, and Adult Education, Madison, Wisconsin . . . . .	351, 537
World Health Organization, Geneva, Switzerland . . . . .	351
World Health Organization, Geneva, Switzerland (Research Foundation Contracts/Grants) . . . . .	28, 174
World Health Organization, Human Reproduction Unit, Geneva, Switzerland (Research Foundation Contracts/Grants) . . . . .	355, 387
WTVN--Broadcasting Tower Lease . . . . .	456, 496

Y

Yassenoff, Leo, Chair in Philosophy and Jewish Studies, Establishment of . . . . .	191
Young, Maurice A., M. D., Youngstown, Ohio (Gift) . . . . .	346

Z

Zaugg, Olinger, Zaugg, Architects, Inc., Mansfield, Ohio . . . . .	391
Zieg Realty Company . . . . .	365

RECORD OF PROCEEDINGS  
OF THE  
BOARD OF TRUSTEES  
OF THE  
OHIO STATE UNIVERSITY

COLUMBUS

July 1, 1974 to June 30, 1975

1974-1975

THE OHIO STATE UNIVERSITY

HAROLD L. ENARSON, *President*

BOARD OF TRUSTEES

	<i>Term Beginning</i>	<i>Term Expiring</i>
DON M. HILLIKER, Bellefontaine	January 15, 1967	May 13, 1975
WILLIAM C. SAFFORD, Cincinnati	May 14, 1967	May 13, 1976
JOHN H. DUNLAP, Williamsport	May 14, 1968	May 13, 1977
M. MERLE HARROD, Wapakoneta	September 2, 1969	May 13, 1978
JOHN L. GUSHMAN, Lancaster	December 11, 1970	May 13, 1979
HOWARD D. SIRAK, Columbus	May 19, 1971	May 13, 1980
PATRICIA D. JAMES, Cleveland	July 18, 1972	May 13, 1981
CHESTER DEVENOW, Toledo	May 14, 1973	May 13, 1982
*JOHN W. KESSLER, Columbus	May 14, 1974	May 13, 1983
WARREN J SMITH, Columbus	January 6, 1975	May 13, 1983
JOHN D. JACOB, Columbus	May 14, 1975	May 13, 1984

OFFICERS

WILLIAM C. SAFFORD, *Chairman*  
JOHN H. DUNLAP, *Vice Chairman*  
EDWARD Q. MOULTON, *Secretary*  
ERNEST W. LEGGETT, *Treasurer*

\* Not confirmed by Senate. November 12, 1975



THE OHIO STATE UNIVERSITY  
OFFICIAL PROCEEDINGS OF THE  
ONE THOUSAND AND NINETY-EIGHTH MEETING  
OF THE BOARD OF TRUSTEES

Columbus, Ohio, July 12, 1974

The Board of Trustees met at its regular monthly meeting on Friday, July 12, 1974, at The Ohio State University Fawcett Center for Tomorrow, Columbus, Ohio, pursuant to adjournment.

Present: William C. Safford, Chairman, Don M. Hilliker, John H. **Dunlap**, M. Merle Harrod, John L. Gushman, Howard D. Sirak, Patricia D. James, **Chester** Devenow, and John W. Kessler.

\*

\*

\*

Minutes of the last meeting were approved.

\*

\*

\*

July 14, 1974 meeting, Board of Trustees

COMMITTEE APPOINTMENTS - 1974-1975

Mr. Safford announced that he would continue the Committee structure as established last year by Mr. Hilliker. He indicated that he had solicited individual preferences for Committee assignments from the Board members, and that he had attempted to honor as many of these preferences as possible. He announced the following Committee assignments:

Finance Committee

Chester Devenow, Chairman  
M. Merle Harrod, Vice Chairman  
John H. Dunlap  
John W. Kessler

Educational Affairs Committee

John L. Gushman, Chairman  
John H. Dunlap, Vice Chairman  
Howard D. Sirak  
Patricia D. James

Buildings and Grounds Committee

M. Merle Harrod, Chairman  
Patricia D. James, Vice Chairman  
John W. Kessler

Insurance Committee

Howard D. Sirak, Chairman  
Chester Devenow, Vice Chairman

OARDC Agenda Review Committee

John H. Dunlap, Chairman  
Gene R. Abercrombie, Vice Chairman

Research Foundation Board of Directors

(Three-year term, July 1, 1973 - June 30, 1976)

John H. Dunlap

Development Fund Board of Directors

(One-year term)

Chester Devenow  
John W. Kessler

Upon motion of Dr. Sirak, seconded by Mr. Gushman, the Board of Trustees by voice vote approved the nominations to the Committees and the representatives to the Research Foundation Board of Directors and the Development Fund Board of Directors.

- o -

RESOLUTIONS IN MEMORIAM

President Enarson reported to the Board the deaths of Everett J. Kircher, Professor Emeritus in the College of Education; Victor Heinrich Ries, Professor Emeritus in the Department of Horticulture; and Charles L. Williams, Assistant Professor Emeritus in the College of Pharmacy. In accordance with the instructions of the Board of Trustees, copies of the following resolutions expressing on behalf of the University the sorrow and sympathy of the Board will be furnished the families of the deceased.

A. Everett J. Kircher

The Board of Trustees of The Ohio State University expresses its sorrow at the death on June 26, 1974, of Everett J. Kircher, Professor Emeritus in the College of Education.

Dr. Kircher was born on January 29, 1906, in Fennimore, Wisconsin. He received a Bachelor of Arts degree from the University of Wisconsin in 1931. Following the receipt of a Master's degree in English Education and a Ph. D. degree in Philosophy of Education from The Ohio State University in 1935 and 1938, respectively, he joined The Ohio State University as an Assistant Professor of Language Arts Education in the University School. He then was an Associate Professor of Education at Tulane University from 1941 to 1944 when he rejoined the College of Education faculty at The Ohio State University as a Professor in the area of philosophy of education, a position which he retained until retirement in 1971.

Dr. Kircher's interests in philosophy of education were primarily in the arts, religion and humanities, and he lectured before many local, state and national meetings of religious, art and musical organizations as well as educational groups. He frequently served as a Visiting Professor or Consultant. During a leave of absence in 1945-46, Dr. Kircher was a Visiting Professor at the Graduate Institute of Education in Cairo, Egypt, and in the Autumn of 1949, was a Visiting Consultant on General MacArthur's staff in Tokyo, working on the reorganization of Japanese education. The University of Louisville and Greeley State College are among the institutions where he served as a Visiting Professor. He served on a number of University committees and various national committees, including the University Committee on Academic Affairs, the Administrative Committee of the Commission on Higher Education, the National Council of Churches, and the National Consultation Committee on Theology and Philosophy of Education. He was a past national president of the Philosophy of Education Society and was affiliated with numerous other professional groups. He was a member of Phi Delta Kappa and an honorary member of Kappa Delta Phi and Kappa Phi Kappa. Dr. Kircher was the author of a number of publications in his field, and he was known widely for his effectiveness as a teacher and lecturer.

July 12, 1974 meeting, Board of Trustees

RESOLUTIONS IN MEMORIAM (continued)

A. Everett J. Kircher (continued)

On behalf of the University community, the Board of Trustees expresses to the family of Dr. Kircher its deepest sympathy. It was directed that this resolution be inscribed in the minutes of the Board of Trustees and a copy be tendered to Mrs. Kircher as sincere appreciation of the Board's realization of the loss which the family, the University, and his many friends and associates have sustained.

B. Victor Heinrich Ries

The Board of Trustees of The Ohio State University expresses its sorrow at the death on June 28, 1974, of Victor H. Ries, Professor Emeritus in the Department of Horticulture.

Professor Ries, nationally known authority on plants and gardening, was born in New York City on July 29, 1894, received a B.S. degree in 1915 and a M.S. degree in 1916 in Floriculture both from Cornell University, Ithaca, New York. He served in France in the U. S. Army from 1916 to 1918, and from 1919 to 1921 was Professor of Natural Science at Iowa State Teachers College, Cedar Falls, Iowa. He became associated with the Horticulture Department at Purdue University, Lafayette, Indiana, in 1921 and was the home beautification specialist in extension. In 1926 he transferred to The Ohio State University at Columbus and was at that institution until he retired in 1957.

Vic, as he preferred to be called, was a prolific author. He wrote many articles on flowering trees and shrubs, perennials, annuals, bulbs, and native plants, and was the author of numerous bulletins and several books on these subjects. He contributed an avalanche of articles to newspapers and magazines on the subject of gardening, and he was one of the most authoritative individuals on the identification of herbaceous and woody plants in the country. He traveled extensively and gave many lectures to garden clubs and civic groups on the subject of plants and gardens.

Vic was a founder of the Ohio Association of Garden Clubs in the late 1920's and served as its Secretary for many years. He was honored by that organization for his contributions to its success in 1970. In 1966 he was awarded the distinguished garden writers' citation by the American Nurserymen's Association at its annual convention in Chicago.

Professor Ries won the Ohio Nurserymen's Association citation on the basis of his Citizen Journal garden column, his monthly garden report for East Central United States in Flower and Garden magazine, and for his contribution to Gardener's Forum, a publication of the American Horticulture Society. He was a Director of that society and an Associate Editor of its newsletter. He was also a charter member of the Garden Writers' Association of America.

RESOLUTIONS IN MEMORIAM (continued)

B. Victor Heinrich Ries (continued)

Vic will long be remembered for his exposure of garden frauds and half-truths that abound, and he delighted in lambasting individuals or companies in his newspaper columns when he believed them to be taking advantage of gardeners.

On behalf of the University, the Board of Trustees expresses to his family its deepest sympathy and sense of understanding in its loss. It was directed that this resolution be inscribed upon the minutes of the Board of Trustees and that a copy be tendered to the family as a humble expression of the Board's heartfelt sympathy in its bereavement.

C. Charles L. Williams

The Board of Trustees of The Ohio State University expresses its sorrow at the death on May 29, 1974, of Charles L. Williams, Assistant Professor Emeritus in the College of Pharmacy.

Professor Williams was born in Tuscola, Illinois, on February 5, 1893. He received a Ph. G. degree from Purdue University in 1922; a B.S. in Pharmacy degree in 1929 and a M. A. degree in 1933 both from The Ohio State University.

Professor Williams served as a faculty member of The Ohio State University College of Pharmacy for 41 years, from 1922 to 1963. This is more years of service than any faculty member of the College of Pharmacy other than Dean Clair B. Dye who served 48 years.

Charlie, as he was affectionately called, had seen a lot of changes in pharmacy and pharmaceutical education during his years at The Ohio State University. He began teaching when a pharmacy certificate could be obtained after two years of college, and when he retired the educational requirement for a pharmacist was a five-year program resulting in a bachelor of science degree. Professor Williams had to teach a variety of courses during his 41 years on the faculty. During two of those years there were only four people on the faculty and for twelve years there were only five faculty members. When he retired the faculty had grown to seventeen members. During his tenure he served eight years as Secretary of the College of Pharmacy. Upon his retirement he was made Assistant Professor Emeritus. Professor Williams was a member of the Rho Chi National Honorary Society, Phi Delta Chi, Rho Pi Phi, Central Ohio Academy of Pharmacy, Ohio State Pharmaceutical Association, and American Pharmaceutical Association. One of his most coveted awards was the College of Pharmacy Distinguished Alumni Award that he received in 1970. Professor Williams was a man to whom The Ohio State University owes much gratitude for his many years of dedicated service. Some of the years were critical years and much was expected of and in turn received from Charles L. Williams.

July 12, 1974 meeting, Board of Trustees

RESOLUTIONS IN MEMORIAM (continued)

C. Charles L. Williams (continued)

On behalf of the University, the Board of Trustees expresses to the family and his friends its deep sympathy and sense of understanding in their loss. It was directed that this resolution be inscribed upon the minutes of the Board of Trustees and that a copy be tendered to the family as a humble expression of the Board's heartfelt sympathy in its bereavement.

\*

\*

\*

President Enarson presented the following recommendations:

I. GENERAL RECOMMENDATIONS

A. Reorganization of Health Sciences at the University and Revision of Article III, Section 12, of the Bylaws of the Board of Trustees and Rule 11.1107 of Rules for the University Faculty.

President Enarson made the following statement and recommendation:

At the last meeting of this Board, I indicated to you that I would be bringing to this meeting a recommendation for the reorganization of the Health Sciences of the University.

After considerable study and reflection, I am now prepared to propose a plan for your consideration which I believe will strengthen the Health Sciences within this University and hopefully enhance the well-deserved national reputation for leadership which these areas have achieved.

As I am sure you are aware, this University is deeply involved in teaching large numbers of future practitioners in the Health Sciences in the far-ranging research for new knowledge, and in the necessary corollary of teaching and research--the provision of patient care to ever-larger numbers of persons. Historically, the various health disciplines developed largely independent of one another. Simply to list major professions such as human medicine, veterinary medicine, and dentistry is to dramatize the point.

These efforts, now organized in five major separate units and embracing distinct specialties, testify to the University's major, continuing commitment to all the health sciences and in their totality constitute a massive investment in professional talent, in buildings, and in specialized equipment. The health sciences are unique in significant respects: sheer size of operating and capital budget requirements; the necessarily close intertwining of teaching with research and both with patient care; the complexity and sensitivity of the "interface" with individual patients,

I. GENERAL RECOMMENDATIONS (continued)

A. Reorganization of Health Sciences at the University and Revision of Article III, Section 12, of the Bylaws of the Board of Trustees and Rule 11.1107 of Rules for the University Faculty (continued)

President Enarson's statement (continued)

the community interests, federal and state and local regulatory agencies, and organizations such as Blue Cross-Blue Shield; the necessarily heavy reliance on federal, state, and private funding for capital expansion, for research, and for improved professional preparation.

In view of this, it is needful that we reorganize the current Office of Medical Affairs and create the Office for the Health Sciences, with a Vice President for Health Sciences as its executive head.

As the chief administrative officer for the Health Sciences in the University, the Vice President for Health Sciences will be directly responsible to the President for the overall administration of programs in the Health Sciences offered by the Colleges of Dentistry, Medicine, Optometry, Pharmacy, and Veterinary Medicine. In this position, the Vice President for Health Sciences will

- give central leadership to the special and unique nature of the Health Sciences in the University;
- encourage cooperative relationships among the colleges in the continuous planning and review of all programs for their relevance to evolving health care systems;
- maintain a balance in the development of the constituent units within the Health Sciences and the relative emphases among education, research, and service;
- give institutional focus to the relationships between the University and federal, state, and community agencies;
- and advise the President on all Health Science matters.

In consultation with the Deans of the Colleges of Dentistry, Medicine, Optometry, Pharmacy, and Veterinary Medicine, the Vice President for Health Sciences will develop and

July 12, 1974 meeting, Board of Trustees

I. GENERAL RECOMMENDATIONS (continued)

A. Reorganization of Health Sciences at the University and Revision of Article III, Section 12, of the Bylaws of the Board of Trustees and Rule 11.1107 of Rules for the University Faculty (continued)

President Enarson's statement (continued)

administer the annual budgets for personnel and programs, and will coordinate academic programs and personnel with the Office of the Provost and non-academic budgets and personnel with the Office of the Vice President for Business and Administration.

President Enarson recommended that the reorganization of the Health Sciences of the University as set forth above be approved and that Article III, Section 12, of the Bylaws of the Board of Trustees and Rule 11.1107 of Rules for the University Faculty be modified accordingly. This reorganization is to be effective upon appointment of a Vice President for Health Sciences.

Upon motion of Dr. Sirak, seconded by Mr. Kessler, the Board of Trustees approved the foregoing recommendation by unanimous roll call vote.

ARTICLE III

ADMINISTRATION OF THE UNIVERSITY

Section 12. Vice President for Health Sciences.

The major area of responsibility and authority of the Vice President for Health Sciences shall be that of the health sciences at the University. Without limiting the generality of the foregoing, the Vice President for Health Sciences shall, under the direction of the President, and with approval of the Board of Trustees, be responsible and have the requisite authority for the administration of: the Colleges of Dentistry, Medicine, Optometry, Pharmacy, and Veterinary Medicine, and their clinics, schools, and hospitals, including such other supporting services and facilities as the Health Sciences Library; Laboratory Research Animal Program; Radiation Safety; Medical Audiovisual and TV Center; Mental Retardation Center; Institute for Research in Vision; Center for Continuing Medical Education; Computer Assisted Instruction for Community Hospitals; agreements and cooperative arrangements with various regional and governmental hospitals. The Vice President for Health Sciences will coordinate academic programs and appointments with the Office of the Provost and non-academic budgets and personnel with the Office of the Vice President for Business and Administration.



I. GENERAL RECOMMENDATIONS (continued)

A. Reorganization of Health Sciences at the University and Revision of Article III, Section 12, of the Bylaws of the Board of Trustees and Rule 11.1107 of Rules for the University Faculty (continued)

11.00. Administration of The Ohio State University

11.1107. Vice President for Health Sciences.\*

Section 1. The Vice President for Health Sciences shall be the executive head of the Office of Health Sciences.

Section 2. The major area of responsibility and authority of the Vice President for Health Sciences shall be that of the health sciences at the University. Without limiting the generality of the foregoing, the Vice President for Health Sciences shall, under the direction of the President, and with approval of the Board of Trustees, be responsible and have the requisite authority for the administration of: the Colleges of Dentistry, Medicine, Optometry, Pharmacy, and Veterinary Medicine, and their clinics, schools, and hospitals, including such other supporting services and facilities as the Health Sciences Library; Laboratory Research Animal Program; Radiation Safety; Medical Audiovisual and TV Center; Mental Retardation Center; Institute for Research in Vision; Center for Continuing Medical Education; Computer Assisted Instruction for Community Hospitals; agreements and cooperative arrangements with regional and governmental hospitals. The Vice President for Health Sciences will coordinate academic programs and appointments with the Office of the Provost and non-academic budgets and personnel with the Office of the Vice President for Business and Administration.

Section 3. The principal administrative officials in the Office of Health Sciences shall be the Deans of Dentistry, Medicine, Optometry, Pharmacy, and Veterinary Medicine, the Chief Administrators of University Hospitals and the Veterinary Hospital, and such other associates as may be authorized from time to time.

---

\*Rule initiated by Board of Trustees.

B. Amendment to Sick Leave Policy

In the Board action of November 2, 1973, pertaining to the University's sick leave policy, the amended definition of "employee" should read: Faculty, principal administrative officers, senior administrative and professional staff, unclassified professional, and classified civil service employees.

Upon motion of Mr. Harrod, seconded by Mr. Dunlap, the Board of Trustees approved the foregoing recommendation by unanimous voice vote.

\*

\*

\*

II. PERSONNEL ACTIONS

Personnel actions since the June 14, 1974 meeting of the Board, as recorded in the official "Salary Roll" of the University, include the following Appointments, Leaves of Absence Without Salary, and Emeritus Titles:

A. Appointments

Yehiel Hayon from Associate Professor in the Department of Romance Languages and Literatures to Associate Professor and Chairman of the Division of Hebrew Language and Literature, effective October 1, 1974, at a salary of \$19,968.00 per annum.

Robert D. Cottrell from Professor in the Department of Romance Languages and Literatures to Professor and Acting Chairman of the Department of Romance Languages and Literatures, effective July 1, 1974 through September 30, 1974, at a salary of \$800 for the period, and effective October 1, 1974, at a salary of \$22,728.00 per annum.

Thomas M. Woodson from Associate Professor in the Department of English to Associate Professor and Acting Chairman of the Division of Comparative Literature, effective July 1, 1974 through September 30, 1974, at a salary of \$1,500.00 for the period, and to Professor and Chairman of the Division of Comparative Literature, effective October 1, 1974, at a salary of \$21,528.00 per annum.

B. Leaves of Absence Without Salary

Harry L. Coles, Jr., Professor, Department of History, effective January 1, 1975 through September 30, 1975, to accept a Visiting Professorship at the Command and General Staff College.

Reed M. Powell, Professor, Academic Faculty of Management Sciences, effective September 1, 1974 through August 31, 1975, to pursue additional growth opportunities.

James V. Wigtil, Professor and Chairman, Academic Faculty of Special Services, effective September 1, 1974 through August 31, 1975, to serve as Lecturer in the European Program, Ball State University.

July 12, 1974 meeting, Board of Trustees

II. PERSONNEL ACTIONS (continued)

B. Leaves of Absence Without Salary (continued)

Hans Zassenhaus, Professor, Department of Mathematics, effective October 1, 1974 through September 30, 1975, to accept an appointment at California State Polytechnic College as a Fairchild Scholar.

Alan R. Osborne, Associate Professor, Academic Faculty of Science-Mathematics Education, effective October 1, 1974 through June 30, 1975, to serve as Visiting Professor at the University of Georgia during 1974-75 academic year.

Marc L. Raphael, Associate Professor, Department of History, effective October 1, 1974 through September 30, 1975, to accept a fellowship from the National Endowment for the Humanities.

Bernard Rosen, Associate Professor, Department of Philosophy, effective October 1, 1974 through September 30, 1975, to accept an appointment as Visiting Associate Professor at University of Western Ontario.

R. Vladimir Steffel, Associate Professor, Department of History, effective October 1, 1974 through September 30, 1975, to accept a fellowship from the National Endowment for the Humanities.

Marshall Swain, Associate Professor, Department of Philosophy, effective October 1, 1974 through September 30, 1975, to serve as Visiting Professor in the Department of Philosophy at the University of Illinois, Chicago, Illinois.

David E. Crean, Assistant Professor, Department of Horticulture, effective July 1, 1974 through July 31, 1974, to prepare manuscript for a book "Elements of Food Chemistry."

Geraldine A. Johnson, Instructor, School of Health, Physical Education, and Recreation, effective October 1, 1974 through September 30, 1975, to pursue a program of professional improvement.

July 12, 1974 meeting, Board of Trustees

II. PERSONNEL ACTIONS (continued)

B. Leaves of Absence Without Salary (continued)

Jean McClester, Instructor, Cooperative Extension Service, effective June 16, 1974 through June 30, 1974, to participate in a program of professional improvement at Michigan State University.

Rachel E. Richards, Instructor, Academic Faculty of Special Services, effective June 1, 1974 through June 30, 1974, for personal reasons.

Betty Schwartz, Instructor, University Libraries, effective July 1, 1974 through August 25, 1974, to accept a grant from the National Endowment for the Humanities.

Nancy H. Woodson, Instructor, Comparative Literatures and Languages, effective October 1, 1974 through September 30, 1975, to pursue a program of professional improvement.

C. Emeritus Titles

Roald F. Campbell, Academic Faculty of Educational Administration, with the title Professor Emeritus, effective September 1, 1974.

Marion J. Conrad, Academic Faculty of Educational Administration, with the title Professor Emeritus, effective September 1, 1974.

John Reed Randall, Department of Geography, with the title Professor Emeritus, effective July 1, 1974.

Laura R. Clark, School of Nursing, with the title Associate Professor Emeritus, effective October 1, 1974.

President Enarson recommended that the Appointments, Leaves of Absence Without Salary, Emeritus Titles, and personnel budget actions as recorded in the "Salary Roll" of the University be approved.

Upon motion of Mr. Devenow, seconded by Dr. Sirak, the Board of Trustees approved the foregoing recommendation by unanimous roll call vote, and the Secretary was instructed to file these changes in the "Salary Roll," an official document of the University.

\*

\*

\*

July 12, 1974 meeting, Board of Trustees

III. REPORT OF RESEARCH CONTRACTS, GRANTS, GIFTS, AND AGREEMENTS

President Enarson recommended that the following contracts and grants negotiated and monies received for the month of May 1974 be accepted.

Summary for May 1974

	No. of Projects	Support Level
Office of Business and Administration	60	\$ 9,462,700.52
The Ohio State University Research Foundation	64	2,623,381.67
The Engineering Experiment Station	1	<u>45,480.00</u>
		\$12,131,562.19
	(Donors)	
The Ohio State University Development Fund	6,466	\$ 332,907.31

A detailed listing of the items in each section is shown on the following pages.

Upon motion of Mr. Harrod, seconded by Mr. Dunlap, the research agreements between The Ohio State University and The Ohio State University Research Foundation for the contracts and grants reported herein, and the acceptance of the report from the Office of Business and Administration and The Ohio State University Development Fund, including the establishment of named funds, was approved by unanimous voice vote.

July 12, 1974 meeting, Board of Trustees

III. REPORT OF RESEARCH CONTRACTS, GRANTS, GIFTS, AND AGREEMENTS  
(continued)

A. Office of Business and Administration

1. Federal Contracts/Grants

- a. \$2,410,116.00 granted by Department of Health, Education, and Welfare, Office of Education, Bureau of Postsecondary Education, Washington, D. C., for National Direct Student Loan Program, for period July 1, 1974 through June 30, 1975. (NIH Grantee No. 766505)
- b. \$1,080,825.00 granted by Department of Health, Education, and Welfare, Office of Education, Bureau of Postsecondary Education, Washington, D. C., for the College Work-Study Program, for period July 1, 1974 through June 30, 1975. (NIH Grantee No. 766505)
- c. \$936,920.00 granted by Department of Health, Education, and Welfare, Office of Education, Washington, D. C., for Basic Educational Opportunity Grant Program, for period July 1, 1974 through June 30, 1975. (NIH Vendor No. 766505)
- d. \$743,596.00 granted by Department of Health, Education, and Welfare, Public Health Service, Bethesda, Maryland, for Health Professions Capitation Grant Program, under the direction of College of Veterinary Medicine, for period July 1, 1974 through June 30, 1975. (Grant No. 05S000064-05)
- e. \$465,472.00 granted by Department of Health, Education, and Welfare, Office of Education, Bureau of Postsecondary Education, Washington, D. C., for Supplemental Educational Opportunity Grant Program, for period July 1, 1974 through June 30, 1975. (NIH Grantee No. 766505)
- f. \$316,948.00 granted by Department of Health, Education, and Welfare, Public Health Service, Bethesda, Maryland, for Health Professions Capitation Grant Program, under the direction of College of Pharmacy, for period July 1, 1974 through June 30, 1975. (Grant No. 05S000056-05)
- g. \$184,756.00 granted by Department of Health, Education, and Welfare, Public Health Service, Bethesda, Maryland, for Allied Health Special Improvements - Hospital and Health Services Administration - Training Grant, under the direction of School of Allied Medical Professions, for period July 1, 1974 through June 30, 1977. (Grant No. 5 D01 AH50407-03)

III. REPORT OF RESEARCH CONTRACTS, GRANTS, GIFTS, AND AGREEMENTS  
(continued)

A. Office of Business and Administration (continued)

1. Federal Contracts/Grants (continued)

- h. \$182,808.00 granted by Department of Health, Education, and Welfare, Public Health Service, Bethesda, Maryland, for Allied Health Special Improvements - Occupational Therapy - Training Grant, under the direction of School of Allied Medical Professions, for period July 1, 1974 through June 30, 1977. (Grant No. 5 D01 AH50413-03)
- i. \$172,378.00 granted by Department of Health, Education, and Welfare, Public Health Service, Bethesda, Maryland, for Professional Nurse Traineeship - Long Term, under the direction of School of Nursing, for period September 1, 1974 through August 31, 1976. (Grant No. 5 A11 NU00029-17)
- j. \$143,632.00 granted by Department of Health, Education, and Welfare, Public Health Service, Bethesda, Maryland, for Health Professions Capitation Grant Program, under the direction of College of Optometry, for period July 1, 1974 through June 30, 1975. (Grant No. 05S000068-09)
- k. \$134,974.00 granted by Department of Health, Education, and Welfare, Region V, Social and Rehabilitation Service, RSA Developmental Disabilities, Chicago, Illinois, for UAF Administration and Operation, under the direction of Nisonger Center, for period June 30, 1974 through June 29, 1975. (Grant No. 59-P-25294/5-03)
- l. \$128,717.00 granted by Department of Health, Education, and Welfare, Public Health Service, Bethesda, Maryland, for Comparative Pathology - Training Grant, under the direction of Department of Veterinary Pathobiology, for period July 1, 1974 through June 30, 1975. (Grant No. 5 T01 GM01052-12)
- m. \$122,637.00 granted by Department of Health, Education, and Welfare, Public Health Service, Bethesda, Maryland, for Allied Health Special Improvements - Administration - Training Grant, under the direction of School of Allied Medical Professions, for period July 1, 1974 through June 30, 1977. (Grant No. 5 D01 AH50402-03)
- n. \$118,978.00 granted by National Aeronautics and Space Administration, Washington, D. C., for the Support of Specialized Post-M. D. Training in Aerospace Medicine - Training Grant, under the direction of Department of Preventive Medicine, for period beginning September 1, 1974 for two (2) years. (Grant No. NGT 36-008-007, Supplement No. 4)

III. REPORT OF RESEARCH CONTRACTS, GRANTS, GIFTS, AND AGREEMENTS  
(continued)

A. Office of Business and Administration (continued)

1. Federal Contracts/Grants (continued)

- o. \$102,618.00 granted by Department of Health, Education, and Welfare, Public Health Service, Bethesda, Maryland, for Graduate Psychiatric Nursing - Training Grant, under the direction of School of Nursing, for period July 1, 1974 through June 30, 1975. (Grant No. 5 T01 MH12394-05)
- p. \$94,332.00 additional grant from Department of Health, Education, and Welfare, Office of Education, Grant and Procurement Management Division, Occupational and Adult Education Branch, Washington, D. C., for curriculum development basic to the training to individuals for employment in agri-business, natural resources, and environmental protection, under the direction of Department of Agricultural Education, for period June 15, 1974 through June 14, 1976. (Contract No. OEC-0-72-4677, Modification No. 2)
- q. \$84,996.00 granted by Department of Health, Education, and Welfare, Office of Education, Washington, D. C., for Task Inventory Exchange (TIE), under the direction of Center for Vocational and Technical Education, for period July 1, 1974 through December 31, 1975. (Grant No. OEG-0-74-1671)
- r. \$74,571.00 granted by Department of Health, Education, and Welfare, Office of Education, Washington, D. C., for Student Attitude Toward Vocational Education, under the direction of Center for Vocational and Technical Education, for period June 25, 1974 through December 25, 1975. (Grant No. OEG-0-74-1670)
- s. \$68,150.00 granted by Department of Health, Education, and Welfare, Region V, Social and Rehabilitation Service - Rehabilitation Services, Chicago, Illinois, for Traineeships in Rehabilitation Medicine, under the direction of Department of Physical Medicine, for period July 1, 1974 through June 30, 1975. (Grant No. 44-P-25122/5-13)
- t. \$67,011.00 granted by Department of Health, Education, and Welfare, Public Health Service, Bethesda, Maryland, for Pharmacology - Training Grant, under the direction of Department of Pharmacology, for period July 1, 1974 through June 30, 1975. (Grant No. 5 T01 GM01417-10)



July 12, 1974 meeting, Board of Trustees

III. REPORT OF RESEARCH CONTRACTS, GRANTS, GIFTS, AND AGREEMENTS  
(continued)

A. Office of Business and Administration (continued)

1. Federal Contracts/Grants (continued)

- u. \$60,522.00 granted by Department of Health, Education, and Welfare, Public Health Service, Bethesda, Maryland, for Clinical Psychology - Training Grant, under the direction of Department of Psychology, for period July 1, 1974 through June 30, 1975. (Grant No. 5 T01 MH05061-28)
- v. \$57,848.00 granted by Department of Transportation, National Highway Traffic Safety Administration, Office of Contracts and Procurement, Washington, D. C., for Identification of Curriculum Materials and Correlation with Highway Traffic Safety Manpower Job Functions, under the direction of Center for Vocational and Technical Education, for period June 12, 1974 through June 30, 1975. (Contract No. DOT-HS-4-00979)
- w. \$54,168.00 granted by Department of Health, Education, and Welfare, Public Health Service, Bethesda, Maryland, for Interdisciplinary Training in Developmental Biology, under the direction of Department of Microbiology, for period July 1, 1974 through June 30, 1975. (Grant No. 1 T01 HD00431-01)
- x. \$53,011.00 granted by Department of Health, Education, and Welfare, Public Health Service, Bethesda, Maryland, for Oncology Training Program - Training Grant, under the direction of Department of Medicine, for period July 1, 1974 through June 30, 1975. (Grant No. 5 T01 CA05192-07)
- y. \$51,513.00 granted by Department of Health, Education, and Welfare, Public Health Service, Bethesda, Maryland, for Biomedical Sciences Support Grant, under the direction of Graduate School, for period June 1, 1974 through May 31, 1975. (Grant No. 5 S05 RR07074-09)
- z. \$50,000.00 granted by Department of Health, Education, and Welfare, Public Health Service, Bethesda, Maryland, for Residency in General Preventive Medicine - Training Grant, under the direction of Department of Preventive Medicine, for period July 1, 1974 through June 30, 1976. (Grant No. 1 A08 AH00106-01)
- aa. \$49,148.00 granted by Department of Health, Education, and Welfare, Public Health Service, Bethesda, Maryland, for Allied Health Special Improvements - Medical Records Administration - Training Grant, under the direction of School of Allied Medical Professions, for period July 1, 1974 through June 30, 1977. (Grant No. 5 D01 AH50410-03)

III. REPORT OF RESEARCH CONTRACTS, GRANTS, GIFTS, AND AGREEMENTS  
(continued)

A. Office of Business and Administration (continued)

- bb. \$48,756.00 granted by Department of Health, Education, and Welfare, Public Health Service, Bethesda, Maryland, for Endocrinology and Metabolism - Training Grant, under the direction of Department of Medicine, for period July 1, 1974 through June 30, 1975. (Grant No. 5 T01 AM05118-18)
- cc. \$39,600.00 granted by National Science Foundation, Washington, D. C., for support of National Science Foundation Graduate Fellows, during the 1974-1975 Fellowship Year, under the direction of Graduate School, for period March 15, 1974 through October 31, 1979. (GZ-3571)
- dd. \$39,422.00 additional grant from Department of Health, Education, and Welfare, Public Health Service, Bethesda, Maryland, for Biomedical Sciences Support Grant, under the direction of Graduate School, for period June 1, 1973 through May 31, 1974. (Grant No. 3 S05 RR07074-08S1)
- ee. \$31,490.00 granted by Department of Health, Education, and Welfare, Public Health Service, Bethesda, Maryland, for Clinical Chemistry - Training Grant, under the direction of Department of Pathology, for period July 1, 1974 through June 30, 1975. (Grant No. 5 T01 GM01805-07)
- ff. \$31,032.00 granted by Department of Health, Education, and Welfare, Public Health Service, Bethesda, Maryland, for Experimental Psychology Graduate - Training Grant, under the direction of Department of Psychology, for period July 1, 1974 through June 30, 1975. (Grant No. 5 T01 MH08526-11)
- gg. \$28,648.00 granted by Department of Health, Education, and Welfare, Public Health Service, Bethesda, Maryland, for Social Psychology - Training Grant, under the direction of Department of Psychology, for period July 1, 1974 through June 30, 1975. (Grant No. 5 T01 MH12349-04)
- hh. \$27,114.00 granted by Department of Health, Education, and Welfare, Public Health Service, Bethesda, Maryland, for Psychiatry (Child), under the direction of Department of Psychiatry, for period July 1, 1974 through June 30, 1975. (Grant No. 5 T01 MH1296-07)
- ii. \$26,436.00 granted by Department of Health, Education, and Welfare, Public Health Service, Bethesda, Maryland, for Research Training Physiological Psychology - Training Grant, under the direction of Department of Psychology, for period July 1, 1974 through June 30, 1975. (Grant No. 5 T01 MH06748-17)

III. REPORT OF RESEARCH CONTRACTS, GRANTS, GIFTS, AND AGREEMENTS  
(continued)

A. Office of Business and Administration (continued)

1. Federal Contracts/Grants (continued)

- jj. \$25,000.00 granted by Department of Health, Education, and Welfare, Office of Education, Washington, D. C., for A Community Environmental Education Program on Air Quality in Steubenville, Ohio, and Weirton, West Virginia, under the direction of Department of Industrial and Systems Engineering, Atmospheric Sciences Program, and Mershon Center for Education in National Security, for period September 1, 1974 through August 31, 1975. (Grant No. OEG-0-74-7393)
- kk. \$24,570.00 granted by Department of Health, Education, and Welfare, Public Health Service, Bethesda, Maryland, for M.S. in Medical Technology - Training Grant, under the direction of School of Allied Medical Professions, for period July 1, 1974 through December 31, 1975. (Grant No. 1 A02 AH00487-01)
- ll. \$22,740.00 granted by Department of Health, Education, and Welfare, Public Health Service, Bethesda, Maryland, for M.S. in Physical Therapy-Training Grant, under the direction of School of Allied Medical Professions, for period July 1, 1974 through December 31, 1975. (Grant No. 1 A02 AH00489-01)
- mm. \$21,648.00 granted by Department of Health, Education, and Welfare, Public Health Service, Bethesda, Maryland, for Orthopaedic Education for Medical School Careers - Training Grant, under the direction of Department of Surgery, for period July 1, 1974 through June 30, 1975. (Grant No. 5 T01 AM05695-03)
- nn. \$21,640.00 additional grant from Agency for International Development, Washington, D. C., for the Administration of Purchasing, Inventory Management, and Maintenance Management, under the direction of College of Administrative Science, Division of Continuing Education, for period June 1, 1974 through May 31, 1975. (Basic Agreement No. AID/csd-1571, Amendment No. 11)
- oo. \$21,336.00 granted by Department of Health, Education, and Welfare, Public Health Service, Bethesda, Maryland, for Undergraduate Psychiatry - Training Grant, under the direction of Department of Psychiatry, for period July 1, 1974 through June 30, 1975. (Grant No. 5 T02 MH05924-23)

July 12, 1974 meeting, Board of Trustees

III. REPORT OF RESEARCH CONTRACTS, GRANTS, GIFTS, AND AGREEMENTS  
(continued)

A. Office of Business and Administration (continued)

1. Federal Contracts/Grants (continued)

- pp. \$17,355.00 granted by Department of Health, Education, and Welfare, Public Health Service, Bethesda, Maryland, for M.S. in Dental Hygiene - Teacher Preparation - Training Grant, under the direction of School of Allied Medical Professions, for period July 1, 1974 through June 30, 1975. (Grant No. 1 A02 AH00525-01)
- qq. \$16,160.00 granted by Department of Health, Education, and Welfare, Region V, Social and Rehabilitation Service - RSA Developmental Disabilities, Chicago, Illinois, for UAF Administration and Operation, under the direction of Nisonger Center, for period June 30, 1974 through June 29, 1975. (Grant No. 59-P-25294/5-03, Amendment No. 1)
- rr. \$15,170.00 granted by Department of Health, Education, and Welfare, Public Health Service, Bethesda, Maryland, for M.S. in Medical Dietetics - Training Grant, under the direction of School of Allied Medical Professions, for period September 1, 1974 through December 31, 1975. (Grant No. 1 A02 AH00486-01)
- ss. \$14,529.00 granted by Department of Health, Education, and Welfare, Public Health Service, Bethesda, Maryland, for Clinical Psychology - Training Grant, under the direction of Department of Psychiatry, for period July 1, 1974 through June 30, 1975. (Grant No. 5 T01 MH10778-08)
- tt. \$13,620.00 granted by Department of Health, Education, and Welfare, Public Health Service, Bethesda, Maryland, for M.S. in Occupational Therapy - Training Grant, under the direction of School of Allied Medical Professions, for period July 1, 1974 through December 31, 1975. (Grant No. 1 A02 AH00488-01)
- uu. \$2,600.00 additional grant from U. S. Atomic Energy Commission, Research and Technical Support Division, Oak Ridge Operations, Oak Ridge, Tennessee, for Graduate Level Trainees, under the direction of Department of Mechanical Engineering, for period September 1, 1974 through August 31, 1975. (Contract No. AT-(40-1)-3892, Modification No. 5)

TOTAL - Federal Contracts/Grants \$8,499,511.00

III. REPORT OF RESEARCH CONTRACTS, GRANTS, GIFTS, AND AGREEMENTS  
(continued)

A. Office of Business and Administration (continued)

2. State of Ohio Contracts/Grants

- a. \$763,197.05 granted by State Department of Education, Division of Vocational Education, Columbus, Ohio, for support of teacher education, supervision, instructional materials development, and special services in the programs in Trade and Industrial Education, Guidance Services, Business and Office Education, Distributive Education, Manpower Development and Vocational Education, under the direction of Academic Faculty of Vocational-Technical Education, for the period July 1, 1974 through June 30, 1975.
- b. \$45,000.00 granted by State of Ohio, Department of Natural Resources, Columbus, Ohio, for Environmental Evaluation of a Nuclear Power Plant on Lake Erie, under the direction of College of Biological Sciences, Center for Lake Erie Area Research, for period June 1, 1974 through May 31, 1975. (Project No. F-41-R-6)
- c. \$15,126.72 granted by State of Ohio, Department of Health, Columbus, Ohio, for support of a study of the clinical nurse specialist in a nursing home, under the direction of School of Nursing, for period April 1, 1974 through March 31, 1975.
- d. \$2,975.00 granted by State of Ohio, Department of Administrative Service, Division of Personnel, Bureau of Intergovernmental Personnel and Training, Columbus, Ohio, for Applied Workshop in Job Analysis, Test Construction and Validation for Civil Service Commissioners and their staffs in the State of Ohio, under the direction of Behavioral Sciences Laboratory, effective May 3, 1974.
- e. \$1,500.00 granted by State of Ohio, Department of Natural Resources, Columbus, Ohio, for Vascular Aquatic Plant Survey and Vegetation Mapping of the Old Woman Creek Estuary, Erie County, Ohio, under the direction of College of Biological Sciences, Center for Lake Erie Area Research, for period June 17, 1974 through November 30, 1974.
- f. \$1,074.00 granted by State of Ohio, Department of Economic and Community Development, Columbus, Ohio, for Conducting a Seminar for Ohio City Managers Association, under the direction of College of Administrative Science, Division of Continuing Education, Public Management Programs, for period May 15, 1974 through May 31, 1974.
- g. \$750.00 granted by State of Ohio, Department of Economic and Community Development, Columbus, Ohio, for Recruiting Students for Work-Study Programs, under the direction of Department of Black Studies, for period March 25, 1974 through June 15, 1974.

TOTAL - State of Ohio Contracts/Grants \$829,622.77

July 12, 1974 meeting, Board of Trustees

III. REPORT OF RESEARCH CONTRACTS, GRANTS, GIFTS, AND AGREEMENTS  
(continued)

A. Office of Business and Administration (continued)

3. Industrial and Other Contracts/Grants

- a. \$55,600.00 granted by National Fund for Medical Education, New York, New York, for A House Staff Training Program to Improve the Clinical Instruction of Medical Students, under the direction of College of Medicine, for a period of two years. (No. 81/73A)
- b. \$24,640.00 granted by The Ford Foundation, New York, New York, for four Doctoral/Graduate Fellowships for Black Americans, under the direction of Graduate School, for the academic year 1974-1975. (Project No. 719-0021)
- c. \$20,000.00 granted by The Merck Company Foundation, Rahway, New Jersey, for an Individualized Educational Program for Academically Disadvantaged Health Professional Students, under the direction of College of Medicine, for period July 1, 1974 through June 30, 1976.
- d. \$11,993.00 granted by State of West Virginia, Department of Education, Charleston, West Virginia, for identification of fiscal policy alternatives designed to provide an equitable level of support for vocational education programs in West Virginia, under the direction of Center for Vocational and Technical Education, for period May 1, 1974 through July 31, 1974. (Registration No. 316-025-986)
- e. \$11,330.00 granted by School Management Institute, Inc., Worthington, Ohio, for Adult Basic Education Workshop, under the direction of Academic Faculty for Vocational-Technical Education, for period June 17, 1974 through June 28, 1974. (Grantee No. OEG-0-72-1438)
- f. \$10,003.75 granted by Education Task Force through New Detroit, Inc., Detroit, Michigan, for support of the work of the Education Task Force, under the direction of Mershon Center for Education in National Security, for period July 1, 1974 through September 30, 1974.

TOTAL - Industrial and Other Contracts/Grants \$133,566.75

III. REPORT OF RESEARCH CONTRACTS, GRANTS, GIFTS, AND AGREEMENTS  
(continued)

B. The Ohio State University Research Foundation

1. Federal Contracts/Grants

- a. \$782,589.00 from Department of Health, Education, and Welfare, Office of Education, Washington, D. C., for Establishing and Operating A National Center on Educational Media for the Handicapped, under the direction of Academic Faculty of Curriculum and Foundations, for period June 1, 1972 through August 31, 1975. (Project 3471-A1 - Mod. #4-B)
- b. \$110,462.00 from Department of Health, Education, and Welfare, Public Health Service, National Institutes of Health, National Heart and Lung Institute, Bethesda, Maryland, for Quantitative Phonopneumography in Lung Diseases, under the direction of Department of Medicine, for period May 1, 1974 through April 30, 1976. (Project 3908-A1 - New)
- c. \$99,837.47 from Agency for International Development, Washington, D. C., for Analysis of Capital Formation and Technological Innovation at the Farm Level in LDCs, under the direction of Department of Agricultural Economics and Rural Sociology, for period July 1, 1969 through October 31, 1974. (Project 2871 - Amend. #10)
- d. \$97,601.00 from Department of Health, Education, and Welfare, Public Health Service, National Institutes of Health, National Institute of Neurological Diseases and Stroke, Bethesda, Maryland, for Myelin Biosynthesis and Turnover, under the direction of Department of Physiological Chemistry, for period June 1, 1974 through May 31, 1976. (Project 2815-C - Ext. #3)
- e. \$95,330.00 from Department of Health, Education, and Welfare, Public Health Service, National Institutes of Health, National Cancer Institute, Bethesda, Maryland, for Post-Transcriptional Control in Eukaryotic Cells, under the direction of Department of Physiological Chemistry, for period June 1, 1974 through May 31, 1976. (Project 3283-A4 - Ext. #3)
- f. \$90,100.00 from National Science Foundation, Washington, D. C., for Liquid Helium at Low Temperatures, under the direction of Department of Physics, for period December 1, 1971 through April 30, 1975. (Project 3370-A1 - Amend. #2)
- g. \$86,171.00 from Department of Health, Education, and Welfare, Public Health Service, National Institutes of Health, National Institute of General Medical Sciences, Bethesda, Maryland, for Lipopolysaccharide Antigens of *Pseudomonas aeruginosa*, under the direction of Department of Chemistry, for period June 1, 1974 through May 31, 1976. (Project 3943-A1 - New)

III. REPORT OF RESEARCH CONTRACTS, GRANTS, GIFTS, AND AGREEMENTS  
(continued)

B. The Ohio State University Research Foundation (continued)

1. Federal Contracts/Grants (continued)

- h. \$72,556.00 from Department of Health, Education, and Welfare, Public Health Service, National Institutes of Health, National Cancer Institute, Bethesda, Maryland, for Neurooncogenesis by Resorptive Carcinogens, under the direction of Department of Veterinary Pathobiology, for period May 1, 1974 through January 31, 1975. (Project 2762-E - Ext. #5)
- i. \$67,349.00 from Department of Health, Education, and Welfare, Public Health Service, National Institutes of Health, National Heart and Lung Institute, Bethesda, Maryland, for Phytochemistry of the Genus Thalictum, under the direction of College of Pharmacy, for period June 1, 1974 through May 31, 1976. (Project 1497-J - Ext. #9)
- j. \$60,227.00 from Department of Health, Education, and Welfare, Public Health Service, National Institutes of Health, National Institute of Allergy and Infectious Diseases, Bethesda, Maryland, for Polycondensed Alicyclics and Their Antiviral Role, under the direction of Department of Chemistry, for period May 1, 1974 through April 30, 1975. (Project 3920-A1 - New)
- k. \$60,000.00 from Environmental Protection Agency, Washington, D. C., for Studies of the Chemistry of Photochemical Smog Formation and the Detection of Trace Pollutants by Infrared Spectroscopy, under the direction of Department of Chemistry, for period April 16, 1974 through April 15, 1975. (Project 3941-A1 - New)
- l. \$51,290.00 from Department of Health, Education, and Welfare, Public Health Service, National Institutes of Health, National Cancer Institute, Bethesda, Maryland, for Synthesis and Chemistry of Diazo Compounds, under the direction of Department of Chemistry, for period June 1, 1974 through May 31, 1975. (Project 2793-E - Ext. #5)
- m. \$50,600.00 from National Science Foundation, Washington, D. C., for Cognitive Configurations of A City, under the direction of Department of Geography, for period July 1, 1973 through June 30, 1975. (Project 3659-A1 - Amend. #1)
- n. \$49,996.00 from Department of the Air Force, Rome Air Development Center, Griffiss Air Force Base, New York, for Laser Absorption Studies in the Micron Band, under the direction of Department of Electrical Engineering, for period June 23, 1971 through September 30, 1974. (Project 3271-A1 - Mod. #P00006)



III. REPORT OF RESEARCH CONTRACTS, GRANTS, GIFTS, AND AGREEMENTS  
(continued)

B. The Ohio State University Research Foundation (continued)

1. Federal Contracts/Grants (continued)

- o. \$47,000.00 from Environmental Protection Agency, Washington, D. C., for Propagation of Insect Viruses in Cultured Insect Cells, under the direction of Department of Entomology, for period July 23, 1974 through July 22, 1975. (Project 3745-A2 - Ext. #1)
- p. \$45,900.00 from National Science Foundation, Washington, D. C., for Research in Persuasive Communication, under the direction of Department of Psychology, for period July 1, 1974 through December 31, 1975. (Project 3913-A1 - New)
- q. \$45,393.00 from Department of Health, Education, and Welfare, Public Health Service, National Institutes of Health, National Institute of Arthritis, Metabolic, and Digestive Diseases, Bethesda, Maryland, for Mechanism of Sodium Retention in Edematous States, under the direction of Department of Medicine, for period June 1, 1974 through May 31, 1975. (Project 2831-E - Ext. #5)
- r. \$43,318.00 from National Science Foundation, Washington, D. C., for Assignment Agreement, under the direction of The Ohio State University Research Foundation, for period December 1, 1972 through November 30, 1974. (Project 3597-A1 - Amend. #001)
- s. \$40,396.00 from Department of Health, Education, and Welfare, Public Health Service, National Institutes of Health, National Eye Institute, Bethesda, Maryland, for Electrophysiological Studies of Visual Adaptation, under the direction of Department of Ophthalmology, for period June 1, 1974 through May 31, 1975. (Project 2711-E - Ext. #5)
- t. \$40,000.00 from National Aeronautics and Space Administration, Goddard Space Flight Center, Greenbelt, Maryland, for Definition Study for Space Shuttle Experiments Involving Large Aperture, Steerable Millimeter Wave Antenna Systems, under the direction of Department of Electrical Engineering, ElectroScience Laboratory, for period May 16, 1974 through May 15, 1975. (Project 3931-A1 - New)
- u. \$39,945.00 from Department of the Air Force, Office of Scientific Research, Arlington, Virginia, for Fluid Dynamic Interactions in Multiple Nozzle Arrays, under the direction of Department of Aeronautical and Astronautical Engineering, for period May 1, 1973 through April 30, 1975. (Project 3670-A1 - Mod. #AFOSR-73-2537A)

III. REPORT OF RESEARCH CONTRACTS, GRANTS, GIFTS, AND AGREEMENTS  
(continued)

B. The Ohio State University Research Foundation (continued)

1. Federal Contracts/Grants (continued)

- v. \$36,500.00 from Department of Health, Education, and Welfare, Public Health Service, National Institutes of Health, National Institute of Dental Research, Bethesda, Maryland, for Studies on the Dextran Sucrase of *Streptococcus sanguis*, under the direction of Department of Chemistry, for period May 1, 1974 through April 30, 1975. (Project 3915-A1 - New)
- w. \$35,973.00 from Department of Health, Education, and Welfare, Public Health Service, National Institutes of Health, National Institute of General Medical Sciences, Bethesda, Maryland, for Mechanisms of Mitochondrial Transmission Genetics, under the direction of Department of Genetics, for period June 1, 1974 through May 31, 1975. (Project 3720-A2 - Ext. #1)
- x. \$35,192.00 from Department of Health, Education, and Welfare, Public Health Service, National Institutes of Health, National Institute of General Medical Sciences, Bethesda, Maryland, for Spectroelectrochemistry of Bio-Electron Transfers, under the direction of Department of Chemistry, for period June 1, 1974 through May 31, 1975. (Project 3359-A3 - Ext. #2)
- y. \$34,624.00 from Department of the Navy, Office of Naval Research, Arlington, Virginia, for Role of Carbon Dioxide in Inert Gas Narcosis, under the direction of Department of Physiology, for period May 1, 1974 through April 30, 1976. (Project 3916-A1 - New)
- z. \$27,916.00 from Department of Health, Education, and Welfare, Public Health Service, National Institutes of Health, National Institute of Child Health and Human Development, Bethesda, Maryland, for Sexual Attraction in *Allymyses* and *Fucus*, under the direction of Department of Chemistry, for period June 1, 1974 through May 31, 1975. (Project 3921-A1 - New)
- aa. \$27,640.00 from National Science Foundation, Washington, D. C., for Dislocation Sources in the Microstrain Region, under the direction of Department of Metallurgical Engineering, for period June 15, 1972 through June 14, 1975. (Project 3465-B1 - Amend. #2)
- bb. \$27,000.00 from Department of the Air Force, Air Force Systems Command, Rome Air Development Center, Griffiss Air Force Base, New York, for Multifunction TDMA Techniques, under the direction of Department of Electrical Engineering, ElectroScience Laboratory, for period January 1, 1972 through June 30, 1975. (Project 3364-A1 - Mod. #P00011)

III. REPORT OF RESEARCH CONTRACTS, GRANTS, GIFTS, AND AGREEMENTS  
(continued)

B. The Ohio State University Research Foundation (continued)

1. Federal Contracts/Grants (continued)

- cc. \$22,902.00 from Department of Health, Education, and Welfare, Public Health Service, Food and Drug Administration, Rockville, Maryland, for Electron Microscopic Study of the Effect of PCB on Thyroid Gland of Rats, under the direction of Department of Veterinary Pathobiology, for period June 3, 1974 through June 2, 1975. (Project 3939-A1 - New)
- dd. \$20,100.00 from National Aeronautics and Space Administration, Wallops Station, Wallops Island, Virginia, for Study of GEOS-C Altimeter Data in Order to Improve Existing Gravity Models, under the direction of Department of Geodetic Science, for period April 15, 1974 through April 14, 1977. (Project 3904-A1 - New)
- ee. \$19,212.00 from Department of Health, Education, and Welfare, Public Health Service, National Institutes of Health, National Eye Institute, Bethesda, Maryland, for Effects of Refractive Error in Single Cell Coding, under the direction of College of Optometry, for period May 1, 1974 through April 30, 1975. (Project 3918-A1 - New)
- ff. \$18,607.00 from Department of Health, Education, and Welfare, Public Health Service, National Institutes of Health, National Heart and Lung Institute, Bethesda, Maryland, for Aortic Function in Intact Dogs, under the direction of Department of Physiology, for period June 1, 1974 through May 31, 1975. (Project 3236-A4 - Ext. #3)
- gg. \$16,360.00 from National Science Foundation, Washington, D. C., for Dislocation Sources in the Microstrain Region, under the direction of Department of Metallurgical Engineering, for period June 15, 1972 through June 14, 1975. (Project 3465-A1 - Amend. #2)
- hh. \$14,700.00 from National Science Foundation, Washington, D. C. for The Approximation Problem in Banach Spaces, under the direction of Department of Mathematics, for period July 1, 1972 through June 30, 1975. (Project 3455-A1 - Amend. #2)
- ii. \$11,958.00 additional funds from Department of Health, Education, and Welfare, Public Health Service, National Institutes of Health, National Cancer Institute, Bethesda, Maryland, for Southwest Cooperative Chemotherapy Group, under the direction of Department of Medicine. (Project 1094-N - Sup. #1)

III. REPORT OF RESEARCH CONTRACTS, GRANTS, GIFTS, AND AGREEMENTS  
(continued)

B. The Ohio State University Research Foundation (continued)

1. Federal Contracts/Grants (continued)

- jj. \$11,100.00 from National Science Foundation, Washington, D. C., for Strontium Isotope Stratigraphy of Deep Sea Sediment from the Red Sea, under the direction of Department of Geology and Mineralogy, for period June 1, 1973 through June 30, 1975. (Project 3675-A1 - Amend. #1)
- kk. \$10,762.00 from Department of Health, Education, and Welfare, Public Health Service, National Institutes of Health, National Cancer Institute, Bethesda, Maryland, for Neurooncogenesis by Resorptive Carcinogens, under the direction of Department of Veterinary Pathobiology, for period February 1, 1973 through April 30, 1974. (Project 2762-D - Sup. #1 and #2)
- ll. \$10,000.00 from Department of the Air Force, Rome Air Development Center, Griffiss Air Force Base, New York, Three-D Images for Spectral Signature Data, under the direction of Department of Electrical Engineering, ElectroScience Laboratory, for period May 1, 1974 through October 31, 1975. (Project 3919-A1 - New)
- mm. \$9,600.00 from Atomic Energy Commission, Argonne, Illinois, for Methods, Computer Programs; and Approximations in Fast Reactor Design Basis Accident Calculations, under the direction of Department of Mechanical Engineering, for period October 1, 1972 through June 30, 1974. (Project 3588-A1 - Mod. #1-1)
- nn. \$8,000.00 from National Science Foundation, Washington, D. C., for Collaborative Research on Economic Models of Disarmament, under the direction of Mershon Center for Education in National Security, for period November 1, 1972 through August 31, 1974. (Project 3591-A1 - Amend. #1)
- oo. \$7,720.00 from Department of Health, Education, and Welfare, Public Health Service, Alcohol, Drug Abuse, and Mental Health Administration, National Institute on Alcohol Abuse and Alcoholism, Bethesda, Maryland, for Acetaldehyde and Tetrahydroisquinolines; Toxicology, under the direction of College of Pharmacy, for period May 1, 1974 through April 30, 1975. (Project 3914-A1 - New)

III. REPORT OF RESEARCH CONTRACTS, GRANTS, GIFTS, AND AGREEMENTS  
(continued)

B. The Ohio State University Research Foundation (continued)

1. Federal Contracts/Grants (continued)

- pp. \$6,828.00 from Department of Health, Education, and Welfare, Public Health Service, Alcohol, Drug Abuse, and Mental Health Administration, National Institute of Mental Health, Bethesda, Maryland, for Organization of Lower Brainstem Behavioral Systems, under the direction of Department of Psychology, for period May 1, 1974 through April 30, 1975. (Project 3917-A1 - New)
- qq. \$5,996.00 additional funds from Department of the Air Force, Office of Scientific Research, Arlington, Virginia, for Automatic Pattern Recognition in a Multi-Sensor Environment, under the direction of Department of Electrical Engineering. (Project 3183-A1 - Mod. #AFOSR-71-2048F)
- rr. \$5,015.00 additional funds from Department of Health, Education, and Welfare, Public Health Service, National Institutes of Health, National Institute of Allergy and Infectious Diseases, Bethesda, Maryland, for New Antibiotics-Isolation, Synthesis and Evaluation, under the direction of College of Pharmacy. (Project 3054-A4 - Sup. #1)
- ss. \$5,000.00 from Atomic Energy Commission, Argonne, Illinois, for Pre-Freshman and Cooperative Education for Minorities in Engineering at The Ohio State University, under the direction of Department of Mechanical Engineering, for period March 15, 1973 through August 31, 1975. (Project 3716-A1 - Mod. #1)
- tt. \$5,000.00 additional funds from Department of the Air Force, Rome Air Development Center, Griffiss Air Force Base, New York, for Atmospheric Effects on Space Object Imagery, under the direction of Department of Electrical Engineering. (Project 3862-A1 - Mod. #P00001)
- uu. \$5,000.00 from Environmental Protection Agency, Washington, D. C., for Rapid Bioassay for Algal Toxins in Effluents and Surface Waters, under the direction of Department of Botany, for period June 1, 1974 through May 31, 1975. (Project 3934-A1 - New)
- vv. \$4,715.00 from Civil Service Commission, Bureau of Training, Management Sciences Training Center, Washington, D. C., for Inter Government Training Course Preparation and Instruction, under the direction of College of Administrative Science, Division of Continuing Education, for period February 11, 1974 through July 31, 1974. (Project 3808-G1 - Additional Purchase Agreements)

III. REPORT OF RESEARCH CONTRACTS, GRANTS, GIFTS, AND AGREEMENTS  
(continued)

B. The Ohio State University Research Foundation (continued)

1. Federal Contracts/Grants (continued)

- ww. \$3,000.00 from National Science Foundation, Washington, D. C., for Supplementary Travel Support to NATO Advanced Study Institute on Phloem Transport, under the direction of Department of Botany, for period May 1, 1974 through October 31, 1974. (Project 3924-A1 - New)
- xx. \$2,521.00 additional funds from Department of Health, Education, and Welfare, Public Health Service, National Institutes of Health, National Institute of Arthritis, Metabolic, and Digestive Diseases, Bethesda, Maryland, for Polyunsaturated Fatty Acid Interconversions, under the direction of Department of Physiological Chemistry. (Project 2090-H - Dtd. 5/17/74)
- yy. \$2,180.00 additional funds from Civil Service Commission, Washington, D. C., for Inter Government Training Course Preparation and Instruction, under the direction of College of Administrative Science, Division of Continuing Education. (Project 3808-G1 - Purchase Order)
- zz. \$2,000.00 from Department of the Air Force, 4950th Test Wing, Air Force Systems Command, Wright-Patterson Air Force Base, Ohio, for Nuclear Magnetic Resonance Investigation of Electron Damage in LI Doped Silicon, under the direction of Department of Physics, for period May 15, 1974 through November 15, 1975. (Project 3909-A1 - New)
- aaa. \$181.00 additional funds from Department of Health, Education, and Welfare, Public Health Service, National Institutes of Health, National Heart and Lung Institute, Bethesda, Maryland, for Mapping of Intimal O<sub>2</sub> Tension in Atherosclerosis, under the direction of Department of Physiology. (Project 1800-K - Dtd. 5/15/74)

TOTAL - Federal Research Contracts/Grants \$2,529,362.47

2. Industrial, Subcontracts/Grants and Other  
Non-Federal Research Contracts/Grants

- a. \$25,000.00 from The Grant Foundation, New York, New York, for Interaction of Psychosocial and Psychopharmacologic Factors in Behavior Modification of Animal Models of Hyperkinetic and Violent Behavior, under the direction of Department of Psychiatry, for period May 1, 1974 through June 30, 1975. (Project 3926-A1 - New)

III. REPORT OF RESEARCH CONTRACTS, GRANTS, GIFTS, AND AGREEMENTS  
(continued)

B. The Ohio State University Research Foundation (continued)

2. Industrial, Subcontracts/Grants and Other  
Non-Federal Research Contracts/Grants (continued)

- b. \$18,040.00 from American Heart Association, Inc., New York, New York, for Anti-Vascular Endothelium Antibody in Transplantation, under the direction of Department of Surgery, for period July 1, 1974 through June 30, 1975. (Project 3935-A1 - New)
- c. \$15,000.00 from United States Trotting Association, Columbus, Ohio, for Equine Viral Rhinopneumonitis Reinfection, Immunity and Pathogenesis, under the direction of Department of Veterinary Clinical Sciences, for period April 1, 1974 through March 31, 1975. (Project 3911-A1 - New)
- d. \$9,990.20 from Schering Corporation, Animal Health Division, Kenilworth, New Jersey, for A Comparative Study of the Relationship Between Pharmacokinetic Distribution of Megalomycin A Phosphate and Clindamycin Phosphate and Their Clinical Effectiveness, under the direction of Department of Veterinary Physiology and Pharmacology, for period May 1, 1974 through April 30, 1975. (Project 3925-A1 - New)
- e. \$8,525.00 from Union Carbide Corporation, Tarrytown, New York, for An Ecology Evaluation of Hypolimnetic Oxygenation, under the direction of Department of Zoology, for period April 1, 1974 through January 31, 1975. (Project 3693-A2 - Ltr. Dtd. 4/22/74)
- f. \$7,133.00 from State of Ohio, Department of Rehabilitation and Correction, Columbus, Ohio, for Evaluation of the Marion Correctional Institution Drug/Alcohol Treatment Program, under the direction of College of Administrative Science, Division of Public Administration and School of Social Work, for period September 1, 1973 through August 31, 1974. (Project 3896-A1 - New)
- g. \$3,500.00 from State of Ohio, Department of Rehabilitation and Corrections, Columbus, Ohio, for Multi-Disciplinary Treatment, Remotivation and Education Project, Phase II--London, under the direction of College of Administrative Science, Division of Public Administration and School of Social Work, for period July 1, 1973 through June 30, 1974. (Project 3898-A1 - New)
- h. \$3,000.00 from Carl E. Baum, Albuquerque, New Mexico, for High Frequency Analysis of EMP Interaction with Aircraft Models, under the direction of Department of Electrical Engineering, ElectroScience Laboratory, for period February 15, 1974 through June 30, 1975. (Project 3893-B1 - New)

July 12, 1974 meeting, Board of Trustees

III. REPORT OF RESEARCH CONTRACTS, GRANTS, GIFTS, AND AGREEMENTS  
(continued)

B. The Ohio State University Research Foundation (continued)

2. Industrial, Subcontracts/Grants and Other  
Non-Federal Research Contracts/Grants (continued)

- i. \$2,000.00 from SUMMA Foundation, Albuquerque, New Mexico, for High Frequency Analysis of EMP Interaction with Aircraft Models, under the direction of Department of Electrical Engineering, ElectroScience Laboratory, for period February 15, 1974 through June 30, 1975. (Project 3893-C1 - New)
- j. \$1,478.00 from Adult Probation Department, Franklin County Court of Common Pleas, Columbus, Ohio, for Volunteers in Probation: Supplemental Award, under the direction of College of Administrative Science, Division of Public Administration, for period April 1, 1974 through June 30, 1974. (Project 3825-A2 - Ext. #1)
- k. \$353.00 additional funds from City of Columbus, Columbus, Ohio, for Bail System Development Study, under the direction of College of Administrative Science, Division of Public Administration. (Project 3621-A1 - Ltr. Dtd. 5/10/74)

TOTAL - Industrial, Subcontracts/Grants and Other  
Non-Federal Research Contracts/Grants - \$94,019.20

C. The Engineering Experiment Station

1. Industrial and Other Research Contract

- a. \$45,480.00 from Dow Chemical Company, Midland, Michigan, for Field Validation Of Four Single Residential Housing Units For Energy Conservation Studies, under the direction of Department of Mechanical Engineering, for period May 6, 1974 through November 5, 1975. (EES 480)

D. The Ohio State University Development Fund

1. Gifts of \$5,000 or More

- a. \$15,250.59 from American Medical Association Education and Research Foundation, Chicago, Illinois, for the College of Medicine for a purpose to be determined by the Dean.
- b. \$15,000.00 from Caspian Trading Company, Columbus, Ohio, (given in the name of Mr. J. J. Zand), for Dr. Zollinger's research fund.



III. REPORT OF RESEARCH CONTRACTS, GRANTS, GIFTS, AND AGREEMENTS  
(continued)

D. The Ohio State University Development Fund (continued)

1. Gifts of \$5,000 or More (continued)

- c. \$15,000.00 from General Electric Foundation, Bridgeport, Connecticut, for Affirmative Action Program in Engineering.
- d. \$12,125.00 from anonymous donors for cancer research.
- e. \$12,000.00 from anonymous donor for support of the programs in the Office of Minority Affairs.
- f. \$11,350.00 from Pfizer, Inc., New York, New York, for Endocrine Research.
- g. \$10,600.52 from The Procter and Gamble Company, Cincinnati, Ohio--\$5,240.00 for their fellowship fund in Chemical Engineering, \$5,240.00 for their fellowship fund in Chemistry, and \$120.52 for the Veterinary Pathobiology Graduate Training Fund.
- h. \$10,000.00 from The Ohio National Bank, Columbus, Ohio, for the University Activities Center.
- i. \$9,000.00 from Fritz Straumann, Waldenburg, Switzerland, for support of research in Veterinary Surgery.
- j. \$8,062.00 from the Estate of Edith R. Harris, Delphos, Ohio, for an endowed scholarship for students attending the Lima Regional Campus.
- k. \$6,250.00 from The Huntington National Bank, Columbus, Ohio, for the University Activities Center.
- l. \$5,600.00 from Trust Under the Will of Anna Roessler, Columbus, Ohio, for continuing support of research scholarships for students enrolled in the College of Medicine.
- m. \$5,000.00 from E. I. du Pont de Nemours & Company, Wilmington, Delaware, for Affirmative Action Program in Engineering.
- n. \$5,000.00 from Forging Industry Educational and Research Foundation, Cleveland, Ohio--\$2,500.00 for the Earl M. Tilton Professorship in Mechanical Metallurgy and \$2,500.00 to support the Tilton Professor's work which is devoted to programs of interest to the Forging Industry Educational and Research Foundation.

III. REPORT OF RESEARCH CONTRACTS, GRANTS, GIFTS, AND AGREEMENTS  
(continued)

D. The Ohio State University Development Fund (continued)

2. Establishment of Named Funds

- a. \$100,000.00 from the Estate of Mazie M. Barnes for the establishment of the Dr. Robert L. Barnes Fellowship of Medicine.

Dr. Robert L. Barnes Fellowship of Medicine

The Dr. Robert L. Barnes Fellowship of Medicine was established July 12, 1974, by the Board of Trustees of The Ohio State University with a bequest to The Ohio State University through The Ohio State University Development Fund from Mazie M. Barnes, formerly of Columbus, Ohio, in memory of her husband, Dr. Robert L. Barnes, M. D. 1910.

All gifts are to be invested in the University's Permanent Endowment Fund, under the rules and regulations adopted by the Board of Trustees of The Ohio State University, with the right to invest and reinvest as occasion dictates.

The annual income is to be used to provide an annual postgraduate fellowship or fellowships in Medicine at The Ohio State University for a student or students whose undergraduate work in the College of Medicine has convinced the Scholarship Committee of the University of his or their promise and worth for advanced or postgraduate study in Medicine. Such student or students shall be selected by the Scholarship Committee of the University and said fellowship or fellowships shall be known and referred to as the "Dr. Robert L. Barnes Fellowship of Medicine."

Should the need for these fellowships cease to exist or so diminish as to provide unused income, then the income may be used for any purpose whatsoever as determined by the Board of Trustees, with preference being given to recommendations from the appropriate administrative official of the University who is then directly responsible for medical education.

- b. \$73,417.51 from the Estate of Ruth Regina Hale Canaga for the establishment of The Wilbur Waite Canaga Memorial Fund.

The Wilbur Waite Canaga Memorial Fund

The Wilbur Waite Canaga Memorial Fund was established July 12, 1974, by the Board of Trustees of The Ohio State University with a bequest from the late Ruth Regina Hale Canaga, to The Ohio State University through The Ohio State University Development Fund in memory of her husband, Wilbur Waite Canaga, B.Sc. Agr. '15, formerly of Lansing, Illinois.

All gifts are to be invested in the University's Permanent Endowment Fund, under the rules and regulations adopted by the Board of Trustees of The Ohio State University, with the right to invest and reinvest as occasion dictates.

III. REPORT OF RESEARCH CONTRACTS, GRANTS, GIFTS, AND AGREEMENTS  
(continued)

D. The Ohio State University Development Fund (continued)

2. Establishment of Named Funds (continued)

b. The Wilbur Waite Canaga Memorial Fund (continued)

The annual income is to be used to provide one or more scholarships for deserving, intelligent students in Chemistry, preferably Agricultural Biochemistry in the College of Biological Sciences. The selection of recipients is to be made upon the recommendation of the University Scholarship Committee in cooperation with the Dean of the College of Biological Sciences and the Dean of the College of Agriculture and Home Economics.

Should the need for these scholarships cease to exist or so diminish as to provide unused income, then the income may be used for any purpose whatsoever as determined by the Board of Trustees, with preference being given to recommendations from the appropriate administrative official of the University who is then directly responsible for scholarships.

c. \$1,200.00 from wives of alumni and friends of the Department of Mechanical Engineering for the establishment of the Mechanical Engineering Sustaining Board Scholarship Fund.

Mechanical Engineering Sustaining Board Scholarship Fund

The Mechanical Engineering Sustaining Board Scholarship Fund was established July 12, 1974, by the Board of Trustees of The Ohio State University with gifts to The Ohio State University Development Fund from wives of alumni and friends of the Department of Mechanical Engineering.

All gifts are to be invested in the University's Permanent Endowment Fund, under the rules and regulations adopted by the Board of Trustees of The Ohio State University, with the right to invest and reinvest as occasion dictates.

The annual income is to be used to provide assistance for undergraduate students enrolled in mechanical engineering who could not qualify for financial aid under the normal University financial aids program, but who could not attend college without financial aid. The recipients are to be selected by the Chairman of the Department of Mechanical Engineering.

Should the need for this financial assistance cease to exist or so diminish as to provide unused income, then the income may be used for any purpose whatsoever as determined by the Board of Trustees, with preference being given to recommendations from the appropriate administrative official of the University who is then directly responsible for mechanical engineering education.

\*

\*

\*

July 12, 1974 meeting, Board of Trustees

IV. APPROPRIATION AND TRANSFER OF FUNDS

In accordance with a requirement of the Auditor of State all transfers made among fund groups during the fiscal year 1973-1974 are reported below:

A. Transfer of Earned Indirect Costs

President Enarson reported that in accordance with the policy previously adopted by the Board, earned indirect costs were transferred to Account 149999, University Treasurer General Fund.

Administrative expenses, operation and maintenance of physical plant, library expenses, use allowances, and other indirect costs on grants and contracts of National Science Foundation; U. S. Department of Health, Education and Welfare; other Federal Agencies; State of Ohio; and other organizations for fiscal year 1973-1974.

National Science Foundation

310147	Education	Mayer	\$ 3,114.00
310149	Education	Languis	3,627.00
310150	Education	Thomson	1,447.00
310151	Physics	Riley	2,269.19
310152	Education	Mayer	2,339.00
310157	Chemistry	Meek	1,499.99
310159	Geology	Spieker	2,313.91
310160	Mathematics	Riner	10,351.74
310162	Engineering	Smith	4,623.30
310163	Mathematics	Ross	10,326.29
310164	Education	Mayer	<u>1,034.33</u>
Total National Science Foundation			<u>\$ 42,945.75</u>

U. S. Department of Health, Education, and Welfare

320268	NIH	Medical Microbiology - Kapral	\$ 6,180.33
320383	NIH	Obstetrics and Gynecology - Stevens	4,301.43
320389	NIH	Ophthalmology - Makley	4,862.00
320409	NIH	Psychology - Brock	85.00
320421	NIH	Medicine - Brown	5,307.37
320428	NIH	Pharmacy - LaPidus	3,198.69
320429	NIH	Physics - Nelson	2,183.28
320430	NIH	Psychiatry - Gregory	3,103.59
320431	NIH	Psychiatry - Gregory	7,544.32
320432	NIH	School of Nursing - King	1,990.17
320433	NIH	School of Social Work - Medhurst	2,271.27
320434	NIH	Veterinary Pathology - Cole	9,004.83
320435	NIH	Medicine - Cerilli	5,144.80
320436	NIH	Pharmacology - Hollander	2,030.00
320437	NIH	Physiology - Pieper	2,122.08
320438	NIH	Surgery - Zollinger	6,545.00

July 12, 1974 meeting, Board of Trustees

IV. APPROPRIATION AND TRANSFER OF FUNDS (continued)

A. Transfer of Earned Indirect Costs (continued)

U. S. Department of Health, Education, and Welfare (continued)

320439	NIH	Dentistry - Trippy	\$ 3,153.00
320440	NIH	Veterinary Physiology and Pharmacology - Hamlin	1,297.60
320441	NIH	Medicine - George	2,266.00
320444	NIH	Preventive Medicine - Ellingson	2,660.62
320445	NIH	Psychiatry - Coddington	3,450.20
320447	NIH	School of Social Work - Medhurst	839.12
320448	NIH	School of Social Work - Medhurst	1,325.04
320449	NIH	School of Nursing - Sills	6,675.91
320450	NIH	Pharmacology - Marks	4,463.74
320451	NIH	Otolaryngology - Saunders	6,138.85
320452	NIH	Entomology - Wharton	5,741.42
320453	NIH	Psychology - Brock	1,421.46
320454	NIH	Dentistry - Gaston	5,883.40
320455	NIH	Psychiatry - Marks	1,186.70
320456	NIH	Medicine - Greenberger	2,429.83
320457	NIH	Dentistry - Cavalaris	3,689.13
320459	NIH	Surgery - Hunt	3,180.21
320460	NIH	Medicine - Ferris	5,504.02
320462	NIH	Psychology - Wickens	1,850.96
320464	NIH	Psychology - Meyer	1,464.88
320465	NIH	Dentistry - Allison	2,053.83
320466	NIH	Psychology - Siegel	4,156.13
320467	NIH	Medicine - Warren	9,687.88
320469	NIH	Surgery - Curtiss	1,433.16
320472	NIH	Psychology - Meyer	1,741.00
330057	HSMHA	Nisonger Center - Gibson	35,854.40
330132	PHS	Dentistry - Zacherl	3,155.38
330160	PHS	Preventive Medicine - Keller	6,064.74
330161	PHS	Preventive Medicine - Keller	6,660.86
330167	HSMHA	Preventive Medicine - Keller	9,917.10
330168	SRS	Nisonger Center - Bardwell	8,426.00
330169	PHS	Preventive Medicine - Keller	6,355.33
330170	PHS	Nisonger Center - Chase	5,272.45
330171	PHS	School of Allied Medical Professions - Schoen	3,858.58
330172	PHS	School of Nursing - Kalafatich	3,992.39
330178	SRS	Nisonger Center - Leland	573.71
330179	PHS	School of Allied Medical Professions - Atwell	2,797.68
330180	PHS	School of Allied Medical Professions - Atwell	2,596.50
330181	PHS	School of Allied Medical Professions - Atwell	1,115.84
330182	PHS	School of Allied Medical Professions - Atwell	2,521.72

July 12, 1974 meeting, Board of Trustees

IV. APPROPRIATION AND TRANSFER OF FUNDS (continued)

A. Transfer of Earned Indirect Costs (continued)

U. S. Department of Health, Education, and Welfare (continued)

330184	SRS	Nisonger Center - Gibson	\$ 9,484.00
330185	SRS	School of Social Work - Medhurst	5,885.55
330186	HSMHA	Nisonger Center - Woo-Ming	713.44
330187	SRS	Nisonger Center - Gibson	4,166.86
330188	PHS	Cooperative Extension - Dougan	2,662.81
330191	PHS	Pharmacy - Hudspeth	2,382.14
330198	PHS	School of Nursing - Pease	4,934.67
330200	SRS	School of Allied Medical Professions - Woods	723.88
330201	SRS	Sociology - Nagl	356.80
340065	OE	Center for Vocational and Technical Education - Taylor	120,495.52
340098	OE	Graduate School - Huck and King	600.00
340127	OE	Education - Huck	35,974.00
340133	OE	Graduate School - Johnson	240.00
340145	OE	Center for Vocational and Technical Education - Taylor	90,096.28
340146	OE	Education - Stufflebeam	22,031.00
340147	OE	Slavic Languages and Literatures - Eason	4,336.11
340148	OE	Nisonger Center - Bardwell	7,399.00
340153	OE	Graduate School - Huelsman	29,861.00
340156	OE	Slavic Languages and Literatures - Twarog	12,550.79
340159	OE	Education - Gunnell	7,002.44
340161	OE	Center for Vocational and Technical Education - Goldhammer	3,977.05
340163	OE	Center for Vocational and Technical Education - McCracken	227.94
340164	OE	Education - Eboch	8,067.15
340165	OE	Education - Stufflebeam	4,504.00
340167	OE	Center for Vocational and Technical Education - Magisos	1,093.16
340173	OE	Agricultural Education - Roediger	10,234.05
340176	OE	Center for Vocational and Technical Education - Taylor	<u>12,220.00</u>
Total U. S. Department of Health, Education, and Welfare			<u>\$650,950.57</u>

July 12, 1974 meeting, Board of Trustees

IV. APPROPRIATION AND TRANSFER OF FUNDS (continued)

A. Transfer of Earned Indirect Costs (continued)

U. S. Government - Other

390014	AID	India - Engineering	\$ 193.06
390020	AID	Brazil - Agriculture	2,791.31
390052	AID	Administrative Science - Hurley	4,536.71
390063	USDA	Veterinary Medicine	13,538.70
390078	DOL	Administrative Science - Kelley	11,112.00
390093	AID	Uganda - Agriculture	8,608.00
390097	EPA	Graduate School - Shumate	3,511.05
390100	EPA	Engineering - Seliga	248.00
390111	ACTION	Peace Corps - Tunisia - Agriculture	2,197.13
390114	AID	Brazil - Agriculture	980.70
390115	DOD	Center for Vocational and Technical Education - Walker	<u>311.00</u>
Total U. S. Government - Other			<u>\$ 48,027.66</u>

Miscellaneous

410132		State Department of Personnel - Slanika	\$ 1,425.00
410134		Ohio Real Estate Commission - Racster	1,294.00
410135		State Department of Education - Bailey	1,095.50
522925		INCRA - Welding Engineering	2,000.00
531223		UCLA - Center for Vocational and Technical Education	897.91
531234		National Training Fund - Center for Vocational and Technical Education	3,352.45
531245		State of Rhode Island - Center for Vocational and Technical Education	1,903.10
531249		Alliance for Career Education - Center for Vocational and Technical Education	<u>1,437.91</u>
Total Miscellaneous			<u>\$ 13,405.87</u>
Grand Total			<u>\$755,329.85</u>

July 12, 1974 meeting, Board of Trustees

IV. APPROPRIATION AND TRANSFER OF FUNDS (continued)

B. Transfers to Plant Funds

President Enarson reported for information and the record that during the fiscal year 1973-1974, the following transfers were made from current funds to plant funds.

<u>Account Description</u>	<u>B/A</u>	<u>Transferred from B/A</u>	<u>Amount</u>
Fawcett Center for Tomorrow	801035	149999	\$ (8,939.44)
Medical Area Bookstore	801069	920400	(7,671.99)
Drake Union	801083	920575	1,812.70
		920600	(320.00)
Ramseyer Hall Renovation	801140	149999	(5,143.28)
Cockins Hall Remodeling	801181	130600	(15,196.26)
		149996	15,244.45
Sisson Hall Remodeling	801212	149999	(19,262.43)
Health Sciences Library	801220	218914	7,677.64
		255718	2,667.36
		522795	14,655.00
Ambulatory Patient Teaching Facility	801221	255718	15,000.00
Ohio Stadium - Phase V	801225	292842	23,003.29
Mildred E. Newton Hall - Equipment	801227	149999	(4,345.02)
WOSU-TV Expansion	801239	159500	(784.64)
West Hall (Building No. 13)	801241	921300	12,000.00
Lima Parking Improvement	801242	921353	22,000.00
University Airport Expansion	801249	921500	571.09
Agriculture Administration - Parking Lot	801253	921300	(4,217.00)
Telecommunications - Equipment	801254	149997	90,000.00
		179992	(23,601.00)
Stillman Hall Remodeling	801260	149999	(1,317.38)
Land Purchases	801262	149999	43,777.05
Drake Union Bookstore	801263	920400	(1,328.00)
Marion Academic Facility Remodeling	801268	149969	(8,513.00)
Campus Traffic Lights	801271	921300	(4,344.15)
Dodd Hall Parking Lot	801280	921300	10,000.00
Polo Field Parking Lot	801281	921300	12,420.00
Southeastern Ohio Area Extension Center	801284	149996	25,000.00



July 12, 1974 meeting, Board of Trustees

IV. APPROPRIATION AND TRANSFER OF FUNDS (continued)

B. Transfers to Plant Funds (continued)

<u>Account Description</u>	<u>B/A</u>	<u>Transferred from B/A</u>	<u>Amount</u>
Newark Parking Lot Expansion	801285	149989	\$ 40,000.00
		921353	21,100.00
Journalism Building	801286	523091	4,077.00
Comparative Medical Teaching and Research Facility	801290	531041	123,213.65
Sisson Hall Air Conditioning	801291	330115	(124,607.00)
Parking Lots - West 10th and West 11th	801292	921300	52,655.00
Mansfield Recreation Courts	801299	120942	6,500.00
		130942	25,583.00
Lima Recreation Area - Phase II	801301	149939	58,018.00
Galvin Hall Elevator	801302	149939	56,508.00
University Hospital Capital Reserve	809998	960200	900,000.00
Total			<u>\$1,353,892.64</u>

\*

\*

\*

V. BUSINESS AND ADMINISTRATION

A. Architect or Engineer

1. Traffic Improvements

President Enarson recommended that the engineering firm of Jones-Stuckey, Ltd., Columbus, Ohio, be employed to provide complete engineering services including a traffic study, preliminary plans, basic drawings, working drawings, specifications, estimate of cost, necessary bidding documents, and resident supervision of construction.

The fee for this service will be negotiated between the engineering firm and the Division of Public Works. The total estimated project cost is \$250,000.00.

Funds for this service have been provided from House Bill 985, Item 315-074 (Utilities and Renovations).

Upon motion of Mr. Kessler, seconded by Mr. Devenow, the above recommendation was approved by unanimous roll call vote.

July 12, 1974 meeting, Board of Trustees

V. BUSINESS AND ADMINISTRATION (continued)

B. Report of Award of Contracts

In accordance with authorization provided by the Board of Trustees, bids were taken on the projects listed below and the contracts were recommended for award. The action reported to the Board was as follows:

1. Jackson County Area Extension Center

	<u>Low Bid</u>	<u>Est. of Cost</u>
<u>General Contract</u>		
(2 bids received 6-12-74)		
Don King Construction		
(Jackson, Ohio)		
Base bid	\$108,000.00	\$120,000.00
Alt. G-9 Aluminum siding	- 300.00	No Change
Alt. G-12 Add gutters and down-spouts	- 100.00	No Change
 Total Contract	 <u>\$107,600.00</u>	 <u>\$120,000.00</u>
 <u>Plumbing Contract</u>		
(1 bid received 6-12-74)		
A. J. Stockmeister		
(Jackson, Ohio)		
	<u>29,987.00</u>	<u>33,500.00</u>
 <u>Heating, Ventilating, and Air Conditioning Contract</u>		
(1 bid received 6-12-74)		
A. J. Stockmeister		
(Jackson, Ohio)		
	<u>54,060.00*</u>	<u>35,000.00</u>
 <u>Electric Contract</u>		
(1 bid received 6-12-74)		
West End Electric Company, Inc.		
(Portsmouth, Ohio)		
	<u>44,000.00*</u>	<u>38,500.00</u>
 <u>Total All Contracts</u>	 <u>\$235,647.00</u>	 <u>\$227,000.00</u>

\*The Electrical Contract and Heating, Ventilating, and Air Conditioning Contract were over the estimate, but it is believed that no better bids could be obtained by re-advertising. The Division of Public Works concurs in this decision.

Funds for this project have been provided in H. B. 985, Item 315-086 (Jackson County Area Extension Center).

July 12, 1974 meeting, Board of Trustees

V. BUSINESS AND ADMINISTRATION (continued)

B. Report of Award of Contracts (continued)

2. Newark Campus--New Parking Facility

	<u>Low Bid</u>	<u>Est. of Cost</u>
<u>General Contract</u> (2 bids received 6-6-74) Newark Asphalt Paving (Newark, Ohio)	\$147,156.00	\$169,865.00
<u>Electric Contract</u> (4 bids received 6-6-74) McKown Electric Company (Mt. Vernon, Ohio)	<u>18,780.00</u>	<u>19,000.00</u>
<u>Total All Contracts</u>	<u>\$165,936.00</u>	<u>\$188,865.00</u>

Funds for this project have been provided in Budget Account 801285 (Newark Campus--Parking Facility).

3. Watts Hall--Masonry Repair

<u>General Contract</u> (3 bids received 6-14-74) Hull-McNutt Contractors (Cleveland, Ohio)		
Base bid	\$ 20,000.00	\$ 32,600.00
Alt. "A" Waterproof masonry walls	+ 4,400.00	+ 6,400.00
Total Contract	<u>\$ 24,400.00</u>	<u>\$ 39,000.00</u>

Funds for this project have been provided in Budget Account 125064 (Contract Repair).

Upon motion of Mr. Harrod, seconded by Mr. Devenow, the above award of contracts and expenditure of funds were approved and the action of the Vice President for Business and Administration was ratified by unanimous roll call vote.

C. Other

1. Purchase of Building and Property - South Campus  
243 West Tenth Avenue

It was recommended that the President and/or Vice President for Business and Administration be authorized to proceed with the purchase of:

V. BUSINESS AND ADMINISTRATION (continued<sup>1</sup>)

C. Other (continued)

1. Purchase of Building and Property - South Campus  
243 West Tenth Avenue (continued)

Southeast 30' of Lot 46 and the 5' x 30' southwest portion of Lot 45, University Heights, County Auditor's parcel number 56056, Columbus, Franklin County, Ohio, and more commonly known as 243 West Tenth Avenue

from Mrs. Helen L. Crane for the sum of \$8,100.00 from General University Funds, and in the name of the State of Ohio (The Ohio State University).

2. Easement - Newark Regional Campus, Electric Pole Line Anchor

The University has received a request from the Ohio Power Company to install a pole line anchor approximately ten feet west of the eastern property line and 595.2 feet north of the southerly property line of The Ohio State University Newark Regional Campus.

It was recommended that the President and/or Vice President for Business and Administration be authorized to request the Division of Public Works, pursuant to their statutory duties, to act on behalf of the University in developing the necessary legal instruments to provide for the easement.

3. Supplement to Lease of 3.25 Acres, Don Scott Field  
F.A.A. Lease, Requirements for Additional .51 Acres

On July 6, 1973, the Board authorized a lease with the Federal Aviation Administration. The Federal Aviation Administration has requested a supplement to their original lease adding .51 acres of ground to complete the installation of the MALSR ground approach system.

It was recommended that the President and/or Vice President for Business and Administration be authorized to request the Division of Public Works, pursuant to their statutory duties, to act on behalf of the University in developing the necessary legal instruments to provide the supplement to the original lease.

Upon motion of Mr. Devenow, seconded by Mr. Harrod, the above recommendations were approved by unanimous roll call vote.

V. BUSINESS AND ADMINISTRATION (continued)

C. Other (continued)

4. Basketball Television Broadcasting Contract

Bids were solicited for a three-year exclusive contract (1974-1977) to televise The Ohio State University home basketball games in accordance with the specifications developed by the Director of Athletics, Department of Purchasing, and legal counsel.

President Enarson recommended that a three-year contract in the amount of \$180,700 be entered into between this University and WTVN-TV (Channel 6), Columbus, Ohio, effective with the 1974-1975 basketball season.

Upon motion of Mr. Harrod, seconded by Mr. Kessler, the Board of Trustees approved the foregoing recommendation by unanimous roll call vote.

D. Report of Controlling Board Actions Pertaining to The Ohio State University

- 29 Approves the release of \$160,000.00 from H. B. 985, Item 315-083 (Lima Branch, Ohio State University in cooperation with Lima Technical College), for planning funds for the project known as "Lima Campus - Phase IV."
- 34 Approves the release of \$40,398.23 for the project known as "Agricultural Technical Institute - Wooster, Ohio" for equipment appropriation provided in H. B. 40, Item 366-001.
- 35 Approves the release of \$55,000.00 from H. B. 985, Item 366-001 (Agricultural Technical Institute) for purchase of the "Equine Exercise Building."
- 36 Approves the release of \$8,100.00 from General University Funds for the purchase of part of Lot 45 and 46 more commonly known as 243 West 10th Avenue, from Mrs. Helen L. Crane.

\*

\*

\*

VI. REPORTS

A. Report from the Insurance Committee

Dr. Sirak made the following recommendation to the Board of Trustees on behalf of the Insurance Committee:

That the current Travel Accident Policy which provides \$50,000 coverage for the President, Members of his Staff, and the Deans of the Colleges which expires on August 14, 1974, be awarded to the Bankers Life and Casualty Company, through the Security Agency, Inc., for a three-year period at an annual premium of \$520.

July 12, 1974 meeting, Board of Trustees

VI. REPORTS (continued)

A. Report from the Insurance Committee (continued)

Dr. Sirak's recommendation (continued)

This recommendation is made after reviewing the analysis of bid documents provided by the Office of Business and Administration.

Upon motion of Dr. Sirak, seconded by Mr. Devenow, the Board of Trustees approved the foregoing recommendation by unanimous roll call vote.

B. Report on the University's Investment Portfolio

The report dated July 5, 1974, as submitted to the Finance Committee of the Board of Trustees by Mr. Ernest W. Leggett pertaining to the University's Investment Portfolio, was received and ordered to be filed with the official records of the Board of Trustees.

\*

\*

\*

Thereupon the Board adjourned to meet Friday, September 6, 1974, at The Ohio State University Fawcett Center for Tomorrow, Columbus, Ohio, at 1:30 p.m.

Attest:

\_\_\_\_\_  
Edward Q. Moulton  
Secretary

\_\_\_\_\_  
William C. Safford  
Chairman

Page 47 Blank

Page 48 Blank



THE OHIO STATE UNIVERSITY  
OFFICIAL PROCEEDINGS OF THE  
ONE THOUSAND AND NINETY-NINTH MEETING  
OF THE BOARD OF TRUSTEES

Columbus, Ohio, August 16, 1974

Pursuant to Article I, Section 2, of the By-Laws of the Board of Trustees of The Ohio State University, the Board met upon the call of the Chairman, William C. Safford, in a special meeting on Friday, August 16, at 1:00 p.m.

Present: John H. Dunlap, Vice Chairman, Don M. Hilliker, M. Merle Harrod, Howard D. Sirak, Patricia D. James, and John W. Kessler.

\*

\*

\*

Vice Chairman Dunlap presided in the absence of Chairman Safford.

---

President Enarson presented the following recommendations:

I. GENERAL RECOMMENDATIONS

A. Revision of Personnel Salaries and  
Fee Schedules for Fiscal Year 1974-75

President Enarson presented the following statement and recommendations:

I am grateful to each of you for rearranging your schedules on short notice to attend this special meeting, which is to deal with a matter that cannot await our regularly scheduled meeting of September 6.

At the June 14 meeting the Board adopted the recommended budget for 1974-75, including salary increases. Now, two months later, I must ask reconsideration of earlier actions on two items: one, the rates charged to patients in the hospitals and to students in the residence halls; two, the compensation of all personnel other than those in the Classified Civil Service.

Recently the Ohio General Assembly enacted Amended Substitute House Bill 1476, which provided graduated pay increases for all State Civil Service employees. In my view the initiative of the General Assembly was fully justified; inflation ravages all Americans, but it has an especially harsh impact on those who serve in the public sector. Briefly, H. B. 1476 funded increases for some, but not all, who work at The Ohio State University. Of our 14,000 full-time equivalent (FTE) employees, 6,300 had increases mandated by the General Assembly, but we received funding for less than half of these; the other 7,700 employees of this University were not covered by the mandated increase, nor was funding provided for the University to provide an increase.

Obviously, this action which--to repeat--I applaud--has created serious inequities. The recommendation that I bring to you today is designed to deal directly and forthrightly with this inequity. No one in the General Assembly set out to create inequities; it is simply that all of us, legislators and University officials alike, function within a complicated system which places the initiative and responsibility for salary determination in different hands.

May I refresh your understanding of the employment pattern. In general, University funds are divided into two major categories--Instructional and General budgets, and other budgets

August 16, 1974 meeting, Board of Trustees

I. GENERAL RECOMMENDATIONS (continued)

A. Revision of Personnel Salaries and Fee Schedules for Fiscal Year 1974-75 (continued)

President Enarson's statement (continued)

including Auxiliary Operations, University Hospitals, Cooperative Extension, Research Grants, etc. Basically these funds support a total University work force of 14,000 full-time equivalent employees (not including student employees). The Faculty and instructional staff consists of the Regular Faculty of the University as well as the various personnel associated with the instructional process, including Graduate Teaching, Administrative and Research Associates. In addition to the faculty complement, the academic missions of the University are supported by a wide variety of persons with special skills--carpenters, secretaries, policemen, laboratory staff and the like--who are employed in a Classified Civil Service system pursuant to the laws of Ohio. The third category is broadly termed Administrative and Professional, and staff members in this category do not fall within the State Civil Service structure nor within the Faculty structure of the University. Many of these staff members, however, have advanced degrees, and serve in such capacities as counselors, managers, research associates, computer analysts, etc.

The distribution of these employees by fund type is as shown in Table I, page 52.

Now with this breakdown of employment and funding structure in mind, let's look at the impact of H. B. 1476 on the University. What does H. B. 1476 do and what does it not do?

Very simply, the pay bill permits us to increase the salaries of the 2,700 FTE University Classified Civil Service employees who are paid from Instructional and General funds as follows: 30 cents an hour for employees being paid under \$8,000 at an annual rate; 20 cents an hour for those employees receiving an income of \$8,000 but less than \$12,000; and 10 cents an hour for all Civil Service employees being paid on an annual basis of \$12,000 or over. The estimated cost to fund this increase amounts to \$1,619,150. That amount will be provided through the Board of Regents. But the pay increase for some--I repeat--is not available to all.

The pay act funds increases on one category of employee; it provides no increase for the other employees, many of whom work directly alongside of those given pay increases against the inflation-fueled erosion of real income. Specifically the pay act does not provide anything for our Faculty and Administrative and Professional staff members within the instructional category. It does not provide funding to pay the increases

TABLE I  
 FTE NUMBER OF FACULTY AND STAFF  
 1973-1974

	Instructional and General Budgets	Auxiliaries and Other Budgets	Total
FACULTY AND INSTRUCTIONAL STAFF:			
Regular Faculty	2,227.95	565.24	2,793.19
Lecturers and Residents/Interns	128.22	58.69	186.91
Graduate Associates	<u>1,177.60</u>	<u>475.63</u>	<u>1,653.23</u>
Total Faculty	3,533.77	1,099.56	4,633.33
ADMINISTRATIVE AND PROFESSIONAL:	1,039.10	2,916.01	3,955.11
CLASSIFIED CIVIL SERVICE:	<u>2,653.18</u>	<u>3,637.67</u>	<u>6,290.85</u>
All Categories	7,226.05	7,653.24	14,879.29

I. GENERAL RECOMMENDATIONS (continued)

A. Revision of Personnel Salaries and Fee Schedules for Fiscal Year 1974-75 (continued)

President Enarson's statement (continued)

for anyone in the Auxiliary enterprises (hospitals, dormitories, bookstores, etc.), including the more than 3,600 FTE employees in the Classified Civil Service. (This means that an increase for a secretary who works in the Registrar's Office would be subsidized, but one for a secretary in the hospital or the dormitory system would not.)

Now what does this mean? It means that by law we must provide the mandated increase to Classified Civil Service employees serving in the Auxiliary enterprises, although no funds are provided to the University to meet this sizable and unexpected cost, which amounts to \$2,371,480 for the coming year. (See Table II, page 54.) Those added costs can only be met by increasing proportionately the charges to those receiving the service--e.g., patients in the University hospitals and residents in the dormitory system. This is the basis for the recommended increases in rates for the hospitals and dormitories which are before you.

Obviously, we could have done this and nothing more. However, in my judgment and that of my colleagues in Central Administration, it would be unfair not to make special efforts to help all of those who serve the University. I need not belabor the point--inflation hurts all of our people and it is our duty, within the limits of our resources, to do what we can to help minimize the erosion of real income. For these reasons, I am requesting approval of a "package" of graduated increases for all those other than Civil Service persons provided for under H.B. 1476.

Since inflation has its cruelest impact on those with lowest incomes, whose food and clothing and utilities budget make up a larger proportion of total income, our recommendation is for graduated increases, designed to favor those with lowest income. Therefore, I recommend that the Board approve pay adjustments for Faculty and Administrative and Professional Staff employees of the University. Specifically, it is recommended that a graduated across-the-board pay increase, to be effective October 1, 1974, be provided for all (a) Regular Faculty, (b) Administrative and Professional Staff, (c) Other Instructional Staff, including Graduate Associates. Included in the above would be any regular non-classified staff member who has an appointment of more than 50 percent time, or who continually works more than 20 but less than 40 hours per week. The proposed increases are as follows: \$600 for FTE salaries under \$8,000; \$480 for FTE salaries between \$8,000 and \$12,000; and \$240 for FTE salaries in excess of \$12,000. The amount

TABLE II

COST OF SALARY INCREASES - 1974-1975  
(Effective October 1, 1974 except as noted)

	Instructional and General Budgets	Auxiliaries and Other Budgets	Total
FACULTY AND INSTRUCTIONAL STAFF:			
Regular Faculty	\$ 498,650	\$ 139,340	\$ 637,990
Lecturers and Residents/Interns	49,679	21,520	71,199
Graduate Associates	<u>476,928</u>	<u>192,634</u>	<u>669,562</u>
Total Faculty	\$1,025,257	\$ 353,494	\$1,378,751
ADMINISTRATIVE AND PROFESSIONAL:	393,559	1,254,916	1,648,475
CLASSIFIED CIVIL SERVICE:	<u>1,619,150*</u>	<u>2,371,480*</u>	<u>3,990,630*</u>
TOTAL COST ALL CATEGORIES	\$3,037,966	\$3,979,890	\$7,017,856
TOTAL COST ALL CATEGORIES (Less Classified Civil Service)	\$1,418,816	\$1,608,410	\$3,027,226

---

\*Effective July 22, 1974.

August 16, 1974 meeting, Board of Trustees

I. GENERAL RECOMMENDATIONS (continued)

A. Revision of Personnel Salaries and Fee Schedules for Fiscal Year 1974-75 (continued)

President Enarson's statement (continued)

of the increase would be prorated in the case of an appointment of more than 50 but less than 100 percent. These increases apply only to those persons who were on the payroll July 1, 1974. The annual cost to provide these increases, including increased benefits payments, is shown in Table II, page 54.

The cost for 1974-75 of these increases comes to an estimated \$1,418,816. Where will it come from? You will recall that in submitting the Instructional and General budget, I stressed that it was an extraordinarily tight budget, requiring program cuts as a precondition of the modest salary and fringe benefit increases recommended. You also will recall that we proposed to hold in reserve approximately one percent of our Instructional and General budget, or \$1,400,000. This one percent, small by any measure, was to be reserved for new and improved programs.

It is a cruel trade-off, but in last analysis my recommendation is that we sacrifice this last bit of flexibility to the higher priority of help to the people--all the people--who make up this University.

I say cruel trade-off because I now have on my desk requests totaling over \$24 million. None of these are trivial; all are needed. With few exceptions, none of those proposals can be funded. For example, we will not be able to purchase an additional vehicle to transport handicapped students; we will not be able to adequately fund needed alterations to buildings as part of our energy conservation program; we will not be able to provide a much needed adjustment to our library's periodicals budget. And so it goes.

In conclusion, a great university improves or it begins to falter. The quality of a university is difficult to measure, but no one denies that quality is all-important--whether it is the quality of student counseling, maintenance of the plant, or classroom teaching (important above all else). The Ohio State University cannot hold its own, let alone advance in quality and in service, unless it is given some protection against inflation in the next biennial budget. For your information, this is the burden of the presentation that I have advanced recently in discussions with the Chancellor of the Board of Regents.

August 16, 1974 meeting, Board of Trustees

I. GENERAL RECOMMENDATIONS (continued)

A. Revision of Personnel Salaries and Fee Schedules for Fiscal Year 1974-75 (continued)

President Enarson's statement (continued)

I further recommend that this University be authorized to make the necessary budget adjustments in the University's schedule of charges, including those charges of Residence and Dining Halls and University Hospitals, as set forth on the attached schedules, pages 57-59.

Upon motion of Mr. Hilliker, seconded by Mr. Harrod, the Board of Trustees approved the foregoing recommendations by unanimous roll call vote.

B. Distinguished Service Awards and Degrees and Certificates--Summer Quarter Commencement

Serving as a Committee on Distinguished Service Awards, the President's Staff has nominated and recommended for approval by the Board of Trustees, the following-named persons to receive the Distinguished Service Award at the August 30, 1974 Commencement. These awards are given in recognition of distinguished service to The Ohio State University and the awards are in accordance with action taken by the Board of Trustees in 1952.

Lilyan B. Bradshaw  
B. Maxwell Drake  
Erwin E. Dreese  
Robert M. Estrich  
Richard C. Larkins

President Enarson recommended that degrees and certificates be conferred at the Summer Quarter Commencement Convocation on August 30, 1974, to those students who have completed the requirements for their respective degrees and certificates and are recommended by the University Senate. The names of those awarded degrees and certificates will be included in the minutes of this meeting. (See Appendix L, page 61.)

Upon motion of Mr. Harrod, seconded by Mr. Kessler, the Board of Trustees approved the foregoing recommendations by unanimous voice vote.

C. Honorary Degree

President Enarson recommended under Section 3, Rule 11.05, and after consultation with the Steering Committee of the University Senate, that the honorary degree, Doctor of Laws, be conferred on Gerald R. Ford, President of the United States, at the August 30, 1974 Commencement.

Upon motion of Mr. Hilliker, seconded by Mr. Harrod, the Board of Trustees approved the foregoing recommendation by unanimous voice vote.

\*

\*

\*



The Ohio State University  
Residence and Dining Halls  
Rate Revisions - Autumn Quarter 1974

	<u>Room Option</u>	<u>Meals Plan</u>	<u>Current Rates</u> 1974-75		<u>Proposed Rates</u> 1974-75		<u>Rate Increase</u> 1974-75	
			<u>Annual</u>	<u>Quarter</u>	<u>Annual</u>	<u>Quarter</u>	<u>Annual</u>	<u>Quarter</u>
<u>Undergraduate Residence Halls</u>								
Room and Meals	Multiple Occupancy	20 Per Week	\$1,335	\$445	\$1,374	\$458	\$39	\$13
	Single	20 Per Week	1,470	490	1,509	503	39	13
Room Only	Multiple Occupancy	No Meals	825	275	855	285	30	10
	Single	No Meals	960	320	990	330	30	10
Meals Only		20 Per Week	771	257	780	260	9	3
<u>Special Housing</u>								
Stadium Dormitories	Multiple Occupancy	20 Per Week	699	233	708	236	9	3
Graduate and Professional Jones Tower <sup>1</sup>	Single	No Meals	924	231	940	235	16	4
	Double	No Meals	792	198	808	202	16	4
	Double as Single	No Meals	1,028	257	1,044	261	16	4
Morrison Tower <sup>1</sup>	Single	No Meals	876	219	888	222	12	3
	Double	No Meals	756	189	768	192	12	3
	Double as Single	No Meals	988	247	1,000	250	12	3
			<u>Month</u>		<u>Month<sup>2</sup></u>		<u>Month</u>	
<u>Buckeye Village</u>								
	One Bedroom	No Meals	1,188	99	1,200	100	12	1
	Two Bedroom	No Meals	1,500	125	1,512	126	12	1

<sup>1</sup>Annual Rates Based on 4 Quarters

<sup>2</sup>Effective October 1, 1974

The Ohio State University  
Residence and Dining Halls  
Rate Revisions - Autumn Quarter 1974

<u>Room Option</u>	<u>Meals Plan</u>	<u>Current Rates</u> 1974-75		<u>Proposed Rates</u> 1974-75		<u>Rate Increase</u> 1974-75		
		<u>Annual</u>	<u>Month</u>	<u>Annual</u>	<u>Month<sup>2</sup></u>	<u>Annual</u>	<u>Month</u>	
<u>Neil Hall</u>								
Efficiency	No Meals	\$1,080	\$ 90	\$1,116	\$ 93	\$36	\$3	
One Bedroom (2 Persons)	No Meals	720	60	756	63	36	3	
One Bedroom (1 Person)	No Meals	1,440	120	1,476	123	36	3	
Two Bedrooms (2 Persons)	No Meals	1,080	90	1,116	93	36	3	
Two Bedrooms (3 Persons)	No Meals	1,080	90	1,116	93	36	3	
Single Bedroom	No Meals	720	60	756	63	36	3	
Double Bedroom	No Meals	1,080	90	1,116	93	36	3	

<sup>2</sup>Effective October 1, 1974

The Ohio State University  
University Hospitals  
Rate Revisions - October 1, 1974

	Present Rate	Revised Rate
<u>University Hospital</u>		
Private	\$ 85	\$ 89
Semi-Private		
Two Bed	71	77
Two Bed (OB)	60	66
Three or Four Bed	59	65
Four Bed	66	72
Coronary Intensive Care Unit	110	135
Surgical Intensive Care Unit	200	225
Medical Intensive Care Unit	150	175
Premature Nursery	90	96
Regular Nursery	54	60
 <u>Means Hall</u>		
Private	85	89
Semi-Private	71	77
Coronary Intensive Care Unit	110	135
 <u>Upham Hall</u>		
Semi-Private	61	71
 <u>Dodd Hall</u>		
Semi-Private	61	71
 AVERAGE PATIENT CHARGE PER DAY	 \$142.49	 \$150.28

August 16, 1974 meeting, Board of Trustees

II. REPORT

A. Report on the University's Investment Portfolio

The report dated August 8, 1974, as submitted to the Finance Committee of the Board of Trustees by Mr. Ernest W. Leggett pertaining to the University's Investment Portfolio, was received and ordered to be filed with the official records of the Board of Trustees.

\*

\*

\*

Thereupon the Board adjourned.

Attest:

\_\_\_\_\_  
Edward Q. Moulton  
Secretary

\_\_\_\_\_  
John H. Dunlap  
Vice Chairman

APPENDIX I

Degrees Conferred at

THE OHIO STATE UNIVERSITY  
COMMENCEMENT CONVOCATION

August 30, 1974

Page 62 Blank

**Lilyan B. Bradshaw**

A respected counselor in the College of Engineering, Lilyan Bradshaw provided capable leadership for forty-five years, and brought to her office a wide and richly deserved reputation for excellence. She was not only the first woman in the nation to serve as a college placement director, but she was also instrumental in the development of college career guidance as a profession. She has been in demand as a stimulating lecturer on educational motivation, career goals, and professional ethics. The Ohio State University recognizes her dedication by conferring upon Lilyan B. Bradshaw the Distinguished Service Award.

**Erwin E. Dreese**

A noted innovator and scholar, Erwin E. Dreese has brought to the field of electrical engineering impressive accomplishments as inventor, teacher, and author. As chairman of the Department of Electrical Engineering for thirty-five years, a period of burgeoning growth, he insisted on high standards of instruction, innovative research, and high quality graduate student work. His inventions in electric motors and controls are further evidence of the excellence he has achieved. The Ohio State University recognizes his dedication by conferring upon Erwin E. Dreese the Distinguished Service Award.

**Max Drake**

An agriculturist and faithful alumnus, Max Drake has made extensive contributions in academic and alumni affairs, which reflect his deep and abiding loyalty to the College of Agriculture and Home Economics and to this University. Industry, agriculture, and conservation nationwide have benefitted from his outstanding leadership. As the first President of the Alumni Association of the College of Agriculture, he clearly demonstrated his staunch support of his College and its programs. The Ohio State University recognizes his dedication by conferring upon Max Drake the Distinguished Service Award.

**Robert M. Estrich**

For thirty-five years a distinguished servant of this University and of the institution of higher learning, Robert M. Estrich exemplifies the highest traditions of the academic trinity—educator, scholar, administrator. He is the author of an extensive bibliography and is nationally accredited as an authority in medieval English literature and linguistics. As Chairman of the Department of English, he administered its orderly growth and development. Serving on numerous University committees, he sought to improve the quality of campus life. The Ohio State University recognizes his dedication by conferring upon Robert M. Estrich the Distinguished Service Award.

**Richard C. Larkins**

An able teacher and administrator, Richard C. Larkins has demonstrated his professional competence as a University leader throughout twenty-four years of loyal devotion to this academic community. He has inspired his students and others with his belief in the positive values of physical exercise and intercollegiate athletics. As Director of Athletics he was instrumental in steering that department to its present position of national prominence. The Ohio State University recognizes his dedication by conferring upon Richard C. Larkins the Distinguished Service Award.



**Gerald R. Ford**  
**President of the United States**

The Ohio State University, in this its 249th Commencement ceremony, is deeply honored by the presence of the 38th President of the United States, Gerald R. Ford. The University is pleased to bestow upon President Ford its highest honor, the degree Doctor of Laws, *honoris causa*.

Harold L. Enarson  
President



## Graduate School

Dean: Arliss L. Roaden

### Doctor of Philosophy

Two hundred and forty candidates

Florine Feroza Abdul-Haqq, Columbus  
B.T., B.A. (Panjab University, India); M.A. (Montclair State Teachers College)

*Dissertation:* The Need for and Development of a Guidance and Counseling Program for Secondary Schools of Punjab, India

*Field of Specialization:* Education

Burton Alan Abrams, Columbus  
B.S. (Illinois Institute of Technology); M.A.  
*Dissertation:* An Economic Theory of Lobbying: A Case Study of the U.S. Banking Industry

*Field of Specialization:* Economics

Mohamad Abrishaman, Columbus  
B.M.E., M.S.  
*Dissertation:* Experimental and Theoretical Investigation of Acoustic Radiation from Structures due to Stress-Waves Generated by Impact

*Field of Specialization:* Mechanical Engineering

Unhai Rhee Ahn, Kim Chun, Korea  
B.A., M.A. (Ewha Women's University); M.A.  
*Dissertation:* Diagnostic Evaluation: Toward New Approach to the Concept of Educational Evaluation

*Field of Specialization:* Education

Shirley Jeanne Ahrens, Columbus  
B.S. (Macalester College); M.S. in Phys.Ed. (University of California at Los Angeles)  
*Dissertation:* Quantification of Three-Dimensional Space Utilization in Unstructured Human Movement

*Field of Specialization:* Physical Education

Herman Masaki Aizawa, Kaneohe, Hawaii  
Ed.B. (University of Hawaii); M.A.T. (Washington State University)

*Dissertation:* A Technique for Projecting Pupil Enrollments in Undeveloped and Changing Areas by Utilizing Federal Census Data

*Field of Specialization:* Education

Linda Burton Amspough, Sanborn, N. Y.  
B.S.Ed., M.A.  
*Dissertation:* Teachers' Perceptions of Characteristics of First Grade Children and Reading Group Placement

*Field of Specialization:* Education

Raymond Carl Anderson, Jr., Columbus  
B.S.Pharm.  
*Dissertation:* Kinetics of Hydrolysis and Hydroxylaminolysis of Anticonvulsant Succinimide Drugs: Their Application to Analysis

*Field of Specialization:* Pharmacy

Neal Davis Andrew, Jr., Canterbury, N. H.  
B.S., M.Ag. Ed. (University of New Hampshire)  
*Dissertation:* An Analysis of Present and Potential Interstate Cooperation in Vocational Education in New England

*Field of Specialization:* Agricultural Education

Frances Edrie Andrews, Birmingham, Ala.  
B.S., M.S. (University of Alabama)  
*Dissertation:* Effect of Butter and Tallow on Urinary Taurine and Sulfur Amino Acid Excretion in College Women

*Field of Specialization:* Home Economics

John Parry Andrews, Jr., Columbus  
B.S.  
*Dissertation:* Chemical and Physical Studies of Swine Kidney Microsomal Aminopeptidase and Characterization of an Immobilized Derivative with Applications in Protein Chemistry

*Field of Specialization:* Biochemistry

William Lee Ashley, Columbus  
B.S. (West Virginia Institute of Technology); M.S. (Indiana State University)  
*Dissertation:* The Relationship Between Vocational Instructor's Background Experiences and Their Knowledge of Tasks Performed in the Automechanic Occupation

*Field of Specialization:* Education

Lyn George Auhrecht, Normal, Ill.  
B.S., M.S. (Illinois State University)  
*Dissertation:* Problem Solving Performance as a Function of Social Versus Isolated Rearing in Large, Small, Plain, and Object-Enriched Environments

*Field of Specialization:* Psychology

Don Raymond Bacsell, Berea  
B.A. (Baldwin-Wallace College); M.A.  
*Dissertation:* Natural History and the British Periodicals in the Eighteenth Century

*Field of Specialization:* History

Bhawatosh Bagchi, Monghyr, India  
B.S. (Bihar University); M.Sc. (Patna University); M.S.  
*Dissertation:* Exact Analytic Solutions in Configuration Space for Scattering Wave Functions and T Matrices for a Class of Separable Nonlocal Potentials

*Field of Specialization:* Physics

Mary Kathryn Baratta, Highland Heights  
B.S. (Bowling Green State University); A.M. (John Carroll University)  
*Dissertation:* Utilization of the Delphi Technique to Weight Program Evaluation Criteria in Vocational Education

*Field of Specialization:* Education

Walter H. Bartz, Decorah, Ia.  
A.B., A.M. (University of Michigan)  
*Dissertation:* A Study of the Relationship of Certain Learner Factors with the Ability to Communicate in a Second Language (German) for the Development of Measures of Communicative Competence

*Field of Specialization:* Education

Robert Campbell Beckett, Lisburn, North Ireland  
B.Ag. (The Queen's University of Belfast); M.S.  
*Dissertation:* Some Effects of Inbreeding and Reciprocal Crossing on the Performance of Lines of Holstein Cattle

*Field of Specialization:* Dairy Science

Victoria Fein Bernstein, Bayside, N. Y.  
B.A. (Queens College); M.A.  
*Dissertation:* Equity Perceptions and the Choice of Comparison Others  
*Field of Specialization:* Psychology

Gary Harold Birnberg, Miami Beach, Fla.  
B.S. (University of Florida)  
*Dissertation:* Synthesis and Reactions of Selected Monosubstituted Dibenzosemibullvalenes, Semibullvalenes, and Bullvalenes  
*Field of Specialization:* Chemistry

John Henry Boehm, Westerville  
B.S.P.Ed., M.S.P.Ed. (Indiana University)  
*Dissertation:* The Effects of a Competency Based Teaching Program on Junior High School Physical Education Student Teachers and Their Pupils  
*Field of Specialization:* Physical Education

Robert Allen Boissoneau, Columbus  
B.A. (Eastern Michigan College); M.H.A. (Medical College of Virginia)  
*Dissertation:* The Influence of Mandatory Continuing Education on Perceived Effectiveness of Hospital Administrators  
*Field of Specialization:* Education

Steven Barrie Bowman, Mattapan, Mass.  
B.A. (University of Massachusetts)  
*Dissertation:* The Jews in Byzantium: 1261-1453  
*Field of Specialization:* History

James David Brandt, St. Paul, Minn.  
B.A. (University of Minnesota); M.A.  
*Dissertation:* Internal versus External Locus of Control and Performance in Controlled and Motivated Reading Rate Improvement Instruction  
*Field of Specialization:* Psychology

Gerald David Brazier, San Antonio, Tex.  
B.S. (University of Dayton); M.S.  
*Dissertation:* The Role of Symbolic Mode Preference in the Learning of Mathematical Structures  
*Field of Specialization:* Education

Kenneth A. Burdett, Madison, Wis.  
B.S. (University of Wisconsin)  
*Dissertation:* The Synthesis and Photochemistry of Substituted 3, 4-and 1, 2-Benzotropilidenes, Benzonoradienes and Homo-Benzotropilidenes  
*Field of Specialization:* Chemistry

William Frederick Burger, III, Sandusky  
B.A. (Carleton College); M.S.  
*Dissertation:* Effects of Varying Availability of Remediation on Ability to Construct Proofs in a Simple Mathematical System Presented Via Computer Assisted Instruction  
*Field of Specialization:* Education

Roy Lynn Butler, Columbus  
B.S., M.S. (Oklahoma State University of Agriculture and Applied Science)  
*Dissertation:* Essential Dimensions of an Information System to Facilitate Awareness of Business and Industry Programs for Vocational-Technical Education Teachers  
*Field of Specialization:* Education

Mark Jeffrey Camp, Toledo  
B.S., M.S. (University of Toledo)  
*Dissertation:* Pleistocene Mollusca of Three Southeastern Michigan Marl Deposits  
*Field of Specialization:* Geology and Mineralogy

Barbara Lorrie Caust, Bayside, N. Y.  
B.A. (State University of Buffalo at New York); M.A.  
*Dissertation:* Social Power and its Effects on Verbal Communication and Dyadic Helping Relationships  
*Field of Specialization:* Psychology

Chu-Nan Chang, Toa-yuan, China  
B.S. (National Taiwan Normal University); M.S.  
*Dissertation:* L-Subshell Ionization by Proton and Alpha-Particle Bombardment of Ta, Au, and Bi  
*Field of Specialization:* Physics

Chin Chi Chao, Taipei, Taiwan  
B.Ed. (Taiwan Normal University); M.S.Ed. (Indiana University)  
*Dissertation:* A Study of Conceptual Elements Involved in Two Physics Terms for Students of Different Cultural Backgrounds  
*Field of Specialization:* Education

Chin-Long James Chen, Tainan, Taiwan  
B.S. (National Chiao Tung University); M.S.  
*Dissertation:* The Near Field Analysis of Aperture and Spiral Antennas by the Plane Wave Spectrum Method  
*Field of Specialization:* Electrical Engineering

Chiwei Dick Chuang, Taiwan, China  
B.S. (National Taiwan University); M.S.  
*Dissertation:* Electromagnetic Stress-Energy-Momentum Tensor and its Applications in Electrodynamics of Moving Media  
*Field of Specialization:* Electrical Engineering

Joseph Francis Clark, Narragansett, R. I.  
B.S., M.S. (University of Rhode Island)  
*Dissertation:* Career Education Related Activities of Deans of Schools or Colleges of Education in Public Four-Year Institutions of Higher Education  
*Field of Specialization:* Education

Sally Joan Cloninger, Chatham, N. J.  
B.S. (Syracuse University); M.A.  
*Dissertation:* The Sexually Dimorphic Image: An Empirical Analysis of the Influences of Gender Differences on Photographic Content  
*Field of Specialization:* Communication

Dan Stuart Cohen, Detroit, Mich.  
B.A. (Adelphi University); M.A. (University of Detroit)  
*Dissertation:* The Effects of Task Choice, Monetary, and Verbal Reward on Intrinsic Motivation: A Closer Look at Deci's Cognitive Evaluation Theory  
*Field of Specialization:* Psychology

- Mark William Cohen, Columbus  
B.A. (Tulane University); M.A.  
*Dissertation:* Development of Community Action  
Programs Through Resident Participation in an Area  
Self-Study  
*Field of Specialization:* Psychology
- Mario Anthony Colaluca, Troy  
B.S.E., M.S.E. (University of Michigan)  
*Dissertation:* A Theoretical Analysis of Accelerating  
Reaction Waves and Detonation Induction Distances  
*Field of Specialization:* Aeronautical and Astronautical  
Engineering
- William Ebbert Coleman, Hubbard  
B.A., M.A.  
*Dissertation:* The Role of Prophet in the Abolition  
Rhetoric of The Reverend Theodore Parker, 1845-1860  
*Field of Specialization:* Communication
- James Henry Conrad, Wooster  
A.B. (Wittenberg University); M.A.  
*Dissertation:* Health Services of the United States  
Children's Bureau, 1935-1953  
*Field of Specialization:* History
- Barbara Jane Conry, San Jose, Calif.  
B.E. (Wisconsin State University); M.S. (University of  
Washington)  
*Dissertation:* An Existential-Phenomenological View of  
the Lived Body  
*Field of Specialization:* Physical Education
- Alfred Lynwood Cooke, Columbus  
B.S.Ed., M.A.  
*Dissertation:* A Comparison of Middle-Class  
College-Educated Black Men in Traditional and  
Nontraditional Occupations  
*Field of Specialization:* Education
- \*James Larry Crockett, Bellevue, Tex.  
B.A. (Midwestern University); M.A. (Miami University)  
*Dissertation:* The Ironic Vision of the London Novels of  
Arnold Bennett  
*Field of Specialization:* English
- Jerry R. Cummings, Cleveland  
B.S.Ed. (Central State College); M.S. (Cleveland State  
University)  
*Dissertation:* The Relationship of the Organizational  
Climate in Urban Schools to the Staffing Characteristics  
in the School District  
*Field of Specialization:* Education
- Suzanne Geyser Cummins, Brunswick  
B.S. (Cedarville College); B.S. (Ed.) (Central State  
College); M.A.  
*Dissertation:* Intrinsic Awards versus Grading in  
Developing Speed and Accuracy on Five-Minute Timed  
Writings  
*Field of Specialization:* Education
- Michael Anthony Curran, Bellaire  
B.Ch.E., M.S.  
*Dissertation:* The Design and Evaluation of a Digital  
Controller  
*Field of Specialization:* Chemical Engineering
- Christopher George Dafucas, Boise, Id.  
B.B.A., M.B.A. (University of Cincinnati)  
*Dissertation:* Development of a Checklist of Selected  
Activities Judged of Value in Preparing University  
Teachers and Their Relationship to Teaching  
Effectiveness as Measured by the Purdue Rating Scale  
for Instruction  
*Field of Specialization:* Education
- Samir Phillip Dagher, South Bend, Ind.  
B.A. (Middle East College, Lebanon); M.A. (Andrews  
University)  
*Dissertation:* The Impact of Automation on Clerical  
Banking Occupations and Its Implications for the Business  
Education Program in the Country of Lebanon  
*Field of Specialization:* Education
- Joseph J. Dalezman, Skokie, Ill.  
B.S. in Psych. (Illinois Institute of Technology);  
M.S. (Illinois State University)  
*Dissertation:* The Effects of Output Recall Strategies on  
the Serial Position Function During Immediate, Delayed  
and Final Recall  
*Field of Specialization:* Psychology
- Allan Derick Dalhouse, Kingston, Jamaica  
A.B. (Wilmington College); M.A. (University of  
Nebraska)  
*Dissertation:* The Role of Serotonin in the Septal  
Behavior Syndrome of Rats  
*Field of Specialization:* Psychology
- Paul William Darst, Barberton  
B.S.Ed., M.S. (University of Akron)  
*Dissertation:* The Effects of a Competency-Based  
Intervention on Student-Teacher and Pupil Behavior  
*Field of Specialization:* Physical Education
- Richard Miles Davis, Columbus  
A.B. (Boston University); M.A. (Trinity College)  
*Dissertation:* Development and Application of an  
Economic-Environmental Trade-Off Model for Land Use  
Planning  
*Field of Specialization:* Geography
- Joyce Lewis DeYoung, Ravenna  
B.A. (Hiram College)  
*Dissertation:* Cytidine Analogs Related to Cancer  
Chemotherapy. Chemical- and Enzyme-Catalyzed  
Degradation  
*Field of Specialization:* Pharmacy
- Carol Pratt Dieringer, Johnson City, N. Y.  
B.S.Ed., M.A.  
*Dissertation:* Relationships Among Subject, Consultee,  
Goal and Process Variables in the Consultations of  
School Psychologists  
*Field of Specialization:* Psychology
- Carolyn Dill Donoghue, Cleveland  
B.A. (University of Texas); M.A.  
*Dissertation:* Interrelatedness of Parent Characteristics  
and Independence and Dependence in Children  
*Field of Specialization:* Psychology
- \* Degree granted in cooperation with Miami University

Ruth Elaine Dreidame, Dayton  
B.S., M.Ed. (University of Cincinnati)  
*Dissertation*: A Survey of the Organization and Administration of Women's Intercollegiate Athletic Programs in the 1973-74 AIAW Active Member Schools  
*Field of Specialization*: Physical Education

Harold Roger Drewes, Columbus  
B.S.  
*Dissertation*: The Ortho Functionalization of Anilines  
*Field of Specialization*: Chemistry

Ann Cheney Dudgeon, Toledo  
B.S., M.S.  
*Dissertation*: Computer Simulation of Selection Operating on Genotypes Interacting in Groups  
*Field of Specialization*: Genetics

Robert Samuel Duncan, Columbus  
B.A. (Denison University); M.A. (Wichita State University)  
*Dissertation*: The Origins and Impact of the Newcastle Program  
*Field of Specialization*: History

Louise Karl Eggers, Tiro  
B.S. (Ohio Dominican College); M.S.  
*Dissertation*: Some Biochemical and Electron Microscopic Studies of the Protein Present in Seeds Recovered from Tomato Cannery Waste  
*Field of Specialization*: Horticulture

Jack Christopher Eisele, Mansfield  
B.S.Ed., M.A.  
*Dissertation*: The Immigrants and the Educational Thought of One Progressive, John Dewey  
*Field of Specialization*: Education

Inger Johanne Ellingsen, Oslo, Norway  
Cand. Mag., Cand. Recl. (University of Oslo); M.S.  
*Dissertation*: Comparison of Active and Quiescent Protonymphs of the American House-Dust Mite  
*Field of Specialization*: Entomology

Judith Williams Enns, Bloomington, Ill.  
B.A. (Eastern Nazarene College); M.A. (Illinois State University)  
*Dissertation*: A Study of Teacher and Student Perceptions in the Basic Speech Communication Course  
*Field of Specialization*: Communication

Mary Louise Erickson, Erie, Ill.  
B.F.A. (University of Illinois); M.A.  
*Dissertation*: Art History: An Art Education Analysis  
*Field of Specialization*: Art Education

Gayle Davis Ewing, Mt. Pleasant, Mich.  
B.A. (Kentucky Wesleyan College); M.A. (University of Kentucky); Ed.S. (Central Michigan University)  
*Dissertation*: The Relationship of Demographic Variables and Career Development of Community College Students  
*Field of Specialization*: Education

Carl Paul Falb, Jr., Columbus  
A.B. (Harvard University)  
*Dissertation*: A World Elsewhere: The Stage Career of Anew McMaster  
*Field of Specialization*: Theatre

William Samuel Farrington, Auburn, Ala.  
B.S.Ed., M.Ed. (Auburn University)  
*Dissertation*: Criterion-Referenced Assessment of Twelfth-Grade Vocational Programs in Agricultural Mechanics  
*Field of Specialization*: Agricultural Education

Isaac Clyde Ferguson, Charleston, Ill.  
B.S., M.S. (Brigham Young University); M.S.  
*Dissertation*: Factors Affecting the Health Status of Young Adults with Cystic Fibrosis: A Prospective View  
*Field of Specialization*: Preventive Medicine

Carl David Fischer, Jr., Phoenix, Ariz.  
A.B. (University of California at Berkeley)  
*Dissertation*: Catalysis of the Rearrangement of Phenylglyoxal Hydrate in the Presence of Selected Bases  
*Field of Specialization*: Chemistry

Lynn Patricia Fisher, Glendale, Calif.  
A.B. (Occidental College); M.A.  
*Dissertation*: Small Group Facilitation of Participant Goals: The Participants' Views  
*Field of Specialization*: Psychology

Gideon Fishman, Ottawa, Ont., Canada  
B.A. (Hebrew University of Jerusalem); M.A. (Carleton University)  
*Dissertation*: Post Institutional Outcome and Functioning: A Study of a Juvenile Residential Treatment Center  
*Field of Specialization*: Sociology

Edward Michael Fitzgibbon, Jr., Livingston, N. J.  
B.A. (Seton Hall University); M.A.  
*Dissertation*: Alexander I and the Near East: The Ottoman Empire in Russia's Foreign Relations, 1801-1807  
*Field of Specialization*: History

John Steven Fitzpatrick, Anaconda, Mont.  
B.A. (University of Montana); M.A.  
*Dissertation*: Underground Mining: A Case Study of an Occupational Subculture of Danger  
*Field of Specialization*: Sociology

James Francis Ford, Fayetteville, Ark.  
B.S.E. (Henderson State College); M.S.E. (Arkansas State Teachers College); M.A. (University of Arkansas)  
*Dissertation*: The Prospective Foreign Language Teacher and the Linguistically and Culturally Different Learner: An Attitudinal Study  
*Field of Specialization*: Education

Robert Vance Foutz, Dover  
B.A. (Yale University); M.S.  
*Dissertation*: Studies in Large Sample Theory  
*Field of Specialization*: Statistics

Hui-Hsing Fu, Taipei, Taiwan  
B.S. (National Tsing Hua University); M.S.  
*Dissertation*: Theory of <sup>4</sup>He on Free Surface of  
Superfluid <sup>4</sup>He  
*Field of Specialization*: Physics

James Francis Gavlas, Martinsburg, W. Va.  
B.S. (West Virginia University); M.S.  
*Dissertation*: Electrons and Ions in Polar Liquids  
*Field of Specialization*: Chemistry

Roberta Troxell Gilleland, Columbus  
B.A.Ed. (Arizona State University); M.Ed. (Temple  
University)  
*Dissertation*: The Relationship Between the WAIS and  
MMPI Subscale Scores and Work Adjustment Outcomes  
in Adult Blind and Partially Sighted Persons  
*Field of Specialization*: Education

David Clark Gilmore, Columbus  
B.A. (Capital University); M.A.  
*Dissertation*: The Effects of Knowledge of Results and  
Social Reinforcement on Goal Setting, Performance, and  
Satisfaction  
*Field of Specialization*: Psychology

Emmanuel Ablade Glover, Kent  
Certificate (Kumasi College of Technology, Ghana);  
Art Teachers Diploma (University of Newcastle on Tyne,  
England); M.Ed. (Kent State University)  
*Dissertation*: Rationale for Radical Innovation in the  
Ghanaian Educational System in General and Art  
Education in Particular  
*Field of Specialization*: Art Education

Stanley Eugene Gontarski, East Norwich, N. Y.  
B.A., M.A. (C. W. Post College)  
*Dissertation*: Shaping the Mess: The Composition of  
Samuel Beckett's *Happy Days*  
*Field of Specialization*: English

Sivasithamparam Gopalapillai, Velanai, Ceylon  
B.S. (University of Ceylon); M.S.  
*Dissertation*: Non-Global Recovery of Gravity Anomalies  
from a Combination of Terrestrial and Satellite Altimetry  
Data  
*Field of Specialization*: Geodetic Science

Linda Winkelhaus Gordon, Columbus  
A.B. (University of Michigan); M.A.  
*Dissertation*: Women's Work, Role Conflict and Fertility:  
A Comparison of the Soviet Union and the United States  
*Field of Specialization*: Sociology

Patricia Jones Gorman, Cleveland  
A.B., M.A. (Ed.), M.A. (Phy.Ed.) (Western Reserve  
University)  
*Dissertation*: An Investigation of the Relationship  
Between Selected Variables and Success in Performance  
of the American Red Cross Lifesaving Carries  
*Field of Specialization*: Physical Education

Dennis Alfred Guenther, Fairview Park  
B.S.M.E. (Purdue University); M.S.  
*Dissertation*: An Investigation of the Sound Generated by  
Low Speed, Small Diameter Rotating Blades  
*Field of Specialization*: Mechanical Engineering

Yolanda Gutierrez-Baumann, Columbus  
Dipl.Prof. (Universidad Pedagogica del Caribe);  
B.A. (Otterbein College); M.A.  
*Dissertation*: Contribucion Al Estudio De La Realidad  
En La Narrativa De Juan Carlos Onetti  
*Field of Specialization*: Romance Languages and  
Literatures

Chester Chiduk Ha, Springfield, Ill.  
Bach.Com. (Korea University); M.S. (Illinois State  
University)  
*Dissertation*: An Analysis of the Relationship between  
Demographic and Attitudinal Factors and Employee  
Work Injury Frequency  
*Field of Specialization*: Business Administration

Roger Allan Hall, Columbus  
A.B. (Princeton University); M.A.  
*Dissertation*: Nate Salsbury and His Troubadours:  
Popular American Farce and Musical Comedy, 1875-1887  
*Field of Specialization*: Theatre

Keith Edward Hamilton, Winston-Salem, N. C.  
B.S.Ed., M.Ed. (Bowling Green State University)  
*Dissertation*: The Application of a Competency-Based  
Model to Physical Education Student Teaching in High  
School  
*Field of Specialization*: Physical Education

Musetta Anne Hanson, Columbus  
B.S. (Ohio Dominican College)  
*Dissertation*: Study of the Characteristics and Regulation  
of the Extracellular Proteases of *Neurospora crassa*  
*Field of Specialization*: Biochemistry

Anne Harlan, Mangum, Okla.  
B.A. (University of Houston); M.A.  
*Dissertation*: Effects of Intrinsic and Extrinsic  
Reinforcements on Job Performance and Satisfaction  
*Field of Specialization*: Psychology

Theresa Ann Altie Harrington, Grove City  
B. of Mus. (Eastern Nazarene College); M.A.  
*Dissertation*: Ross L. Mooney's Writings: Implications for  
a Transactional View of Education  
*Field of Specialization*: Education

Thomas Henry Hartig, Dearborn, Mich.  
B.A. (Alma College)  
*Dissertation*: Robert Lansing: An Interpretive Biography  
*Field of Specialization*: History

Margaret Glockner Hartshorn, Lancaster  
B.A. (Dominican College of San Rafael); M.A.  
*Dissertation*: Contraries and Paradox in Selected  
Anonymous Middle English Lyrics  
*Field of Specialization*: English

John W. Jewett, Jr., Catonsville, Md.  
B.S. (Drexel Institute of Technology); M.S.  
*Dissertation:* EPR and Luminescence of Rare Earth Ions  
in Single Crystal  $\text{La}_2\text{O}_3\text{S}$   
*Field of Specialization:* Physics

Janet Marie Johnson, Columbus  
B.M.E., M.M.E. (University of Kansas)  
*Dissertation:* Additive Versus Simultaneous Programming  
of Directionality in Handwriting  
*Field of Specialization:* Education

Richard Terry Jones, Radnor  
B.S.

*Dissertation:* Purification, Biological and Physical  
Properties and Serology of Bean Yellow Mosaic Virus  
Isolates from Soybean, Navy Bean and Clover  
*Field of Specialization:* Plant Pathology

Kenneth George Joseph, Columbus  
B.S. (College of the Holy Cross); M.A.T. (Brown  
University)  
*Dissertation:* The Motivation of Closed-Minded People  
*Field of Specialization:* Education

Philip Michael Kazemsky, Ansonia, Conn.  
B.S. (Worcester Polytechnic Institute); M.S.  
*Dissertation:* A Computer Code for Refueling and Energy  
Scheduling Containing an Evaluator of Nuclear Decisions  
for Operation  
*Field of Specialization:* Nuclear Engineering

Paul H. Keckley, Jr., Chattanooga, Tenn.  
B.A. (David Lipscomb College); M.A.  
*Dissertation:* A Qualitative Analytic Study of the Image  
of Organized Religion in Prime Time Television Drama  
*Field of Specialization:* Communication

Robert Dan Kirvel, Homerville  
B.A. (Ohio Wesleyan University); M.A.  
*Dissertation:* Sensorimotor Responsiveness in Rats with  
Unilateral Superior Collicular and Amygdaloid Lesions  
*Field of Specialization:* Psychology

Thomas John Kniesner, Garfield Heights  
B.A., M.A.  
*Dissertation:* Recent Behavior of the "Full-Time"  
Workweek in the U.S.  
*Field of Specialization:* Economics

Jack Kovach, Columbus  
B.S. (Waynesburg College); M.S.  
*Dissertation:* Stratigraphy and Paleontology of the  
Pentamerinid Brachiopods of the Niagaran Rocks of  
Western Ohio and Eastern Indiana  
*Field of Specialization:* Geology and Mineralogy

Ronald Charles Kowalka, Columbus  
B.S. Agr., M.S.  
*Dissertation:* The Instructional Utility of an  
Electrical Wiring Manual Determined by  
Criterion-Reinforced Assessment with Ninth Grade  
Vocational Agriculture Students  
*Field of Specialization:* Agricultural Education

Andrew Paul Kubricht, Jr., Columbus  
B.A. (Greenville College); M.A.  
*Dissertation:* The Czech Agrarian Party, 1899-1914: A  
Study of National and Economic Agitation in the  
Habsburg Monarchy  
*Field of Specialization:* History

William Elmer Kunkle, Alvordton  
B.S. Agr., M.S.  
*Dissertation:* Evaluation of Lactic Acid Adaptation on  
Performance and Lactic Acid Metabolism in Cattle and  
Sheep  
*Field of Specialization:* Animal Science

Calvin Edwin Leader, Columbus  
B.S. in Edu., M.Ed. (Bowling Green State University)  
*Dissertation:* The Development of Algorithmic Profile  
Data for Comprehensive Planning in Education  
*Field of Specialization:* Education

Shi-Chuan Lee, Kaohsiung, Taiwan  
B.S. (National Chiao Tung University); M.S.  
*Dissertation:* Control of Electromagnetic Scattering by  
Antenna Impedance Loading  
*Field of Specialization:* Electrical Engineering

Young Jack Lee, Seoul, Korea  
B.S.E. (Seoul National University); M.S.  
*Dissertation:* Nonparametric Ranking and Selection  
Procedures  
*Field of Specialization:* Statistics

Mary Henson Leigh, Columbus  
B.S.Ed. (Western Carolina Teachers College);  
M.A. (Appalachian State University)  
*Dissertation:* The Evolution of Women's Participation in  
the Summer Olympic Games, 1900-1948  
*Field of Specialization:* Physical Education

Alma Joyce Levin, Englewood  
B.S.Ed., M.Ed. (Ohio University)  
*Dissertation:* A Comparison of the Responses of Selected  
Educators on the Effectiveness of Specified Procedures  
for Reintegrating Children with Learning and Behavioral  
Disorders from Special Self-Contained Classes into  
Regular Elementary Classes  
*Field of Specialization:* Education

Cheng Hung Liao, Taipei, Taiwan  
B.S., M.S. (National Taiwan University)  
*Dissertation:* Migration and Socioeconomic Change: Ohio  
Counties, 1950-1970  
*Field of Specialization:* Agricultural Economics and  
Rural Sociology

David Hoyt Liggitt, Bellefontaine  
B.S.Ed. (Ohio University); M.A.  
*Dissertation:* The Relationship of Micro-counseling,  
Self-Actualization, and Teacher Verbal Responses  
*Field of Specialization:* Education

Charles Brian Harvey, Brandon, Man., Canada  
B.A. (Brandon University); M.A.  
*Dissertation*: Effects of Cognitive Controlling Processes on the Classically Conditioned Galvanic Skin Response: A Test of the Associative Versus Incentive-Motivational Hypotheses  
*Field of Specialization*: Psychology

William Paul Heilman, Columbus  
B.S. (Muskingum College)  
*Dissertation*: The Synthesis and Biological Evaluation of Novel Hypolipemic Compounds  
*Field of Specialization*: Pharmacy

Murray Heller, Brooklyn, N. Y.  
B.A. (University of Akron); M.A. (New York University)  
*Dissertation*: Black Names in America: History and Meaning  
*Field of Specialization*: English

Ferris Owen Henson, II, Columbus  
B.S., M.A.  
*Dissertation*: A Preliminary Investigation into the Effects of Token Reinforcement on One Aspect of Creativity: As Measured by the Wallach-Kogan Creativity Test  
*Field of Specialization*: Education

Colman Morton Herman, Revere, Mass.  
B.S., M.S. (Massachusetts College of Pharmacy)  
*Dissertation*: A Comparative Analysis of the Drug Information Sources Utilized by Pharmacy Students  
*Field of Specialization*: Pharmacy

Patricia Kay Herring, Smock, Pa.  
B.S. (Pennsylvania State University)  
*Dissertation*: Utilization of Acetat-1-<sup>14</sup>C in the Synthesis of Lipid by Acholeplasma  
*Field of Specialization*: Medical Microbiology

José Luiz Hesketh, Rio de Janeiro, Brazil  
Diploma (Universidade Federal de Rio de Janeiro); M.A.  
*Dissertation*: Development of a Normative Model of Performance and Satisfaction in Individual Decision Making: An Empirical Test of Initiative, Need for Power, Self-Esteem, Intelligence, Decisiveness, Need for Achievement, and Grade Point Average as Predictive Factors  
*Field of Specialization*: Psychology

John Patrick Higgins, New York, N. Y.  
A.B. (Fordham College); M.A.  
*Dissertation*: The Career of Christoph von Uttenheim, Bishop of Basel, 1502-1527  
*Field of Specialization*: History

Glenwood Flournoy Hill, Hazelhurst, Ga.  
B.S. (Fort Valley State College); M.S. (Virginia State College)  
*Dissertation*: The Attitudes of Tobacco Farm Operators Regarding the Relationship Between Smoking and Health  
*Field of Specialization*: Agricultural Education

Marshall Keith Hill, Winston-Salem, N. C.  
B.S., M.S. (North Carolina State University)  
*Dissertation*: The Effect of Harvest Date and Storage Conditions on Chip Quality of Potatoes  
*Field of Specialization*: Horticulture

Robert Christian Hillestad, Lincoln, Neb.  
B.S. (University of Wisconsin); M.S. (Drexel Institute of Technology)  
*Dissertation*: A Schematic Approach to a Theoretical Analysis of Dress as Nonverbal Communication  
*Field of Specialization*: Home Economics

Fred Thomas Hofstetter, Worthington  
B.A. (Saint Joseph's College, Indiana); M.A.  
*Dissertation*: A Quantitative Method for the Study of Musical Style Applied to National Differences and Similarities in the Use of Melodic Intervals During the Mid-Nineteenth to Early Twentieth Centuries  
*Field of Specialization*: Music

William Michael Holmes, Lakewood, Calif.  
B.A. (California State College at Long Beach); M.A.  
*Dissertation*: Social Conditions and Policy Change: A Mathematical Model  
*Field of Specialization*: Sociology

David Lee Howard, Dayton  
B.S. Agr., M.S.  
*Dissertation*: Methane Oxidation *In-situ* and by Isolated Cultures of Bacteria as Important Factors in Carbon Cycling and Sources of Carbon Dioxide in Lake Erie  
*Field of Specialization*: Microbiology

Chen-ooi Chin Hsieh, Singapore, Singapore  
B.A., M.A. (National Taiwan University)  
*Dissertation*: Evolution of the Theme of *Tou O Yuen*  
*Field of Specialization*: East Asian Languages and Literatures

Cecil Mark Inman, Mt. Vernon  
B.A. (Olivet Nazarene College); A.M. (University of Michigan)  
*Dissertation*: Using the Religious Voice as an Approach to the Study of American Literature  
*Field of Specialization*: Education

John Francis Jakubs, Lake Bluff, Ill.  
A.B. (Syracuse University); M.A.  
*Dissertation*: Ghetto Dispersal and Suburban Reaction  
*Field of Specialization*: Geography

Yun-Chi Jao, Miaoli, Taiwan  
B.S. (National Taiwan University); M.S. (University of Toledo)  
*Dissertation*: Growth Effect of N-Acetylhexosamines on *Lactobacillus Bifidus* Variant *Pennsylvanicus*  
*Field of Specialization*: Food Science and Nutrition

Joseph Levold Jefferson, Houston, Tex.  
B.A., M.A. (Texas Southern University)  
*Dissertation*: The Effects of Anxiety on the Achievement of Black Graduate Students Taking Standardized Achievement Tests  
*Field of Specialization*: Education

- Yau-Tang Lin, Raleigh, N. C.  
Dipl. (N.D.O.) (Provincial Taipei Institute of Technology, Taiwan); M.S. (Virginia Polytechnic Institute)  
*Dissertation*: Classification of Objects with Complex Geometric Shape by Means of Low Frequency Electromagnetic Responses  
*Field of Specialization*: Electrical Engineering
- John Benford Lindamood, Columbus  
B.S., M.S. (Virginia Polytechnic Institute)  
*Dissertation*: Evaluation of External Information Needs of Ohio Dairy Firms  
*Field of Specialization*: Agricultural Education
- Roberta Rucker Livesay, Pickerington  
B.S.Ed. (Ohio University); M.Ed. (University of Cincinnati)  
*Dissertation*: Effects of Faculty Collective Bargaining on Administrators' Salaries and Fringe Benefits in Selected Colleges and Universities of the United States  
*Field of Specialization*: Education
- Alicia Dawn Lloyd, Rome, N. Y.  
A.B. (Oberlin College); M.A.  
*Dissertation*: A Rhetorical Analysis of the *Tao-Te-Ching*: Some Taoist Figures of Speech  
*Field of Specialization*: East Asian Languages and Literatures
- \*Corey Robert Lock, Cincinnati  
A.B.Ed. (University of Kentucky); M.Ed. (Miami University)  
*Dissertation*: A Descriptive Study of Teacher Perceptions of Instructional Problems at Various Stages in Their Teaching Careers  
*Field of Specialization*: Education
- Donald Gene Loucks, Niagara Falls, N. Y.  
B.M.E., M.Mus. (Southern Illinois University)  
*Dissertation*: The Development of an Instrument to Measure Instrumental Timbre Concepts of Four-Year-Old and Five-Year-Old Children: A Feasibility Study  
*Field of Specialization*: Music
- Walter Lee Magee, Jr., Beaumont, Tex.  
B.S. (Lamar State College of Technology); M.S.  
*Dissertation*: The Chemistry of 3-Diazopyrazoles  
*Field of Specialization*: Chemistry
- Jeanne Marie Manson, Newton Centre, Mass.  
A.B. (Emmanuel College)  
*Dissertation*: The Influence of Amputation and Nerve Supply on Nucleotide Synthetic Enzyme Activities and Rates of DNA and Protein Synthesis in *Notophthalmus viridescens* Forelimbs  
*Field of Specialization*: Developmental Biology
- Ludmila Yarowa Martin, Parma  
B.A. (Case Western Reserve University); M.S.  
*Dissertation*: The Relationship Between Metal Ion Size and Ring Size Among Transition Metal Complexes of Macrocyclic Ligands  
*Field of Specialization*: Chemistry
- David Franklin Mayer, Columbus  
B.S., M.S.  
*Dissertation*: Octonions, Quarks and Su (3) Symmetry: Some Applications of the Cayley-Dickson Algebras to Strong Interactions  
*Field of Specialization*: Mathematics
- Thomas Robert McCanne, Houston, Tex.  
B.A. (University of Texas); M.A.  
*Dissertation*: Patterns of Autonomic Responding During Human Operant Heart-Rate Conditioning  
*Field of Specialization*: Psychology
- Patrick Lee McKercher, Muskegon, Mich.  
B.S.Pharm. (Ferris State College); M.S. (Wayne State University)  
*Dissertation*: The Pharmacist and Patient Compliance with Medical Instructions  
*Field of Specialization*: Pharmacy
- Warren Earl McReynolds, Peoria, Ill.  
B.S., M.S. (University of Illinois)  
*Dissertation*: Genetic Parameters of Early Growth in a Population of New Zealand White Rabbits  
*Field of Specialization*: Dairy Science
- Lawrence James McWard, Morrisonville, Ill.  
B.S. (Southern Illinois University)  
*Dissertation*: Perceptions of Trade and Industrial Education and Industrial-Engineering Technology Teachers of Selected Pedagogical Competencies  
*Field of Specialization*: Education
- Henry Crockett Meece, Jr., Springfield  
B.S. (East Tennessee State College); M.Ed. (University of Virginia)  
*Dissertation*: Comparative Effects of Two Classroom Environments on Performance of Trainable Mentally Retarded  
*Field of Specialization*: Education
- John Edward Meighan, Circleville  
A.B., A.M. Ed. (Morehead State University)  
*Dissertation*: An Evaluation of Selected Teacher Education Placement Offices in Institutions of Higher Education in Ohio  
*Field of Specialization*: Education
- Kirkland Earle Mellad, Jamaica, West Indies  
B.S. (Tuskegee Institute); M.S.  
*Dissertation*: Bovine Semen Iso-Antigens: Detection, Determination of Origin and Partial Characterization by Immunological, Physico-Chemical and Electro-Phoretic Methods  
*Field of Specialization*: Dairy Science
- Bishetta Dionne Merritt, Danville, Va.  
B.A. (Fisk University); M.A.  
*Dissertation*: A Historical-Critical Study of a Pressure Group in Broadcasting—Black Efforts for Soul in Television  
*Field of Specialization*: Communication
- \* Degree granted in Cooperation with Miami University



Bruce Dale Metcalf, Detroit, Mich.  
B.S. (Wayne State University); M.S.  
*Dissertation*: Simulation and Analysis of the Triangular Ising Model  
*Field of Specialization*: Physics

JoAnne Fellows Milburn, Winnetka, Ill.  
A.B. (Stanford University); M.S.W. (University of California at Los Angeles)  
*Dissertation*: Special Education and Regular Class Teacher Attitudes Regarding Social Behaviors of Children: Steps Toward the Development of a Social Skills Curriculum  
*Field of Specialization*: Education

Ann Marie Miller, Memphis, Tenn.  
B.A. (University of Tennessee); M.A.  
*Dissertation*: Studies in the *Argonautica* of Apollonius  
*Field of Specialization*: Classics

Brendan Patrick Minogue, Brooklyn, N. Y.  
B.A. (Cathedral College of The Immaculate Conception); M.A.  
*Dissertation*: Cartesian Optics: A Test Case for the Partial Interpretationist's Account of Models  
*Field of Specialization*: Philosophy

Eddie Albert Moore, Cumberland, Va.  
B.S. (Agricultural and Technological College of North Carolina); M.S. (Virginia State College)  
*Dissertation*: Professional Education Competency Needs of Three Groups of Vocational Agriculture Teachers in Ohio  
*Field of Specialization*: Agricultural Education

Charles Roland Mote, Lafayette, La.  
B.S. Agr., M.S. (University of Tennessee)  
*Dissertation*: A Computer Simulation of Biological Treatment, Storage, and Land Disposal of Swine Wastes  
*Field of Specialization*: Agricultural Engineering

William Wallace Muir, III, East Lansing, Mich.  
B.S., D.V.M. (Michigan State University); M.S.  
*Dissertation*: Arrhythmias: Their Determinants and Prevention in Association with Thiobarbiturates and Halothane Anesthesia  
*Field of Specialization*: Veterinary Physiology and Pharmacology

David Alan Munn, Reynoldsburg  
B.S. Agr., M.S.  
*Dissertation*: Chemical, Mineralogical, and Agronomic Evaluations of Potassium Relationships in Ohio Soils Subjected to Intensive Cropping  
*Field of Specialization*: Agronomy

Roger Arthur Mussell, Schaumburg, Ill.  
B.S., M.S. (Stout State University)  
*Dissertation*: Advertising Media: Its Exposure to Students in Post High School Career Programs  
*Field of Specialization*: Education

Ruth Julie Mwangangi, Machakos, Kenya  
B.S.Ed., M.S. (Eastern Illinois University)  
*Dissertation*: The Cognitive Development of Kenya African Children as Shown by Their Performance on Selected Piagetian Tasks of Conservation  
*Field of Specialization*: Education

William Edward Nemece, Columbus  
B.S.S.S. (John Carroll University); M.Ed. (Ohio University)  
*Dissertation*: Teacher Perceptions of Guidance Principles and Practices in Planned Elementary School Guidance Programs  
*Field of Specialization*: Education

Robert James Nordstrom, Urbana, Ill.  
B.A. (College of Wooster); M.S. (University of Illinois)  
*Dissertation*: Polarization of Photon Echoes from the  $\gamma$  3 Band of Sulfur Hexafluoride  
*Field of Specialization*: Physics

Beatrice Louise Nugent, Rayne, La.  
B.A. (Northeast Louisiana State College); M.A. (Louisiana State University and Agricultural and Mechanical College)  
*Dissertation*: Woody Hayes: A Case Study in Public Communication, 1973  
*Field of Specialization*: Communication

Bobby Scot Ober, Edenton, N. C.  
B.S.B.A., M.A.E. (East Carolina University)  
*Dissertation*: An Analysis of the Business Working Papers Typed by Beginning Office Workers  
*Field of Specialization*: Education

Brian James O'Connell, Jamaica, N. Y.  
A.B., B.D. (Mary Immaculate Seminary and College); M.A. (Saint John's University, New York)  
*Dissertation*: The Impact of Central Business District Renewal on Black Employment  
*Field of Specialization*: Sociology

Joseph Francis O'Connor, Akron  
B.A. (Borromeo Seminary of Ohio); M.A.  
*Dissertation*: Disease Imagery in Aeschylus and Sophocles  
*Field of Specialization*: Classics

Kathrine Pool Odom, Piqua  
B.B.A. (Emory University); M.A.  
*Dissertation*: Comparative Study of Older and Younger Women Enrolled in an Undergraduate Degree Program at The Ohio State University  
*Field of Specialization*: Education

Keytack Henry Oh, Columbus  
B.S. (Hanyang University, Korea); M.S. (Oklahoma State University)  
*Dissertation*: Forecasting Through Hierarchical Delphi  
*Field of Specialization*: Industrial and Systems Engineering

Ronald Arthur Orsini, Columbus  
B.S.Ed., M.A.  
*Dissertation*: Career Attitude Development and the Educable Mentally Retarded Student  
*Field of Specialization*: Education

Lawrence Barry Owen, Deer Park, N. Y.  
B.A., M.A. (State University of New York at Buffalo)  
*Dissertation:* Age Determinations by the Lutetium-176/  
Hafnium-176 Method  
*Field of Specialization:* Geology and Mineralogy

Irineu Umberto Packer, Piracicaba, Brazil  
Engenheiro-Agronomo (Universidade de Sao Paulo)  
*Dissertation:* Genetic and Phenotypic Trends in Pigs  
Tested at the Ohio Evaluation Station  
*Field of Specialization:* Animal Science

Sung Jae Park, Muncie, Ind.  
B.A. (Yeungnam University, Korea); M.A. (Ball State  
University)  
*Dissertation:* Physical Education and Sport as an  
Instrument of Nation Building in the Republic of Korea  
*Field of Specialization:* Physical Education

Richard Allan Parker, South Vienna  
B.S. (Wittenberg University); M.A.  
*Dissertation:* Comparative Study of Two Methods of  
Band Instruction at the Middle School Level  
*Field of Specialization:* Music

Dany Bernard Perramond, Columbus  
License (University of Toulouse, France); M.A.  
*Dissertation:* Histoire et Polemique: le tableau du XVIIe  
siecle francais dans le Dictionnaire Historique et Critique  
de Pierre Bayle  
*Field of Specialization:* Romance Languages and  
Literatures

Jerry Joseph Perrizo, Downey, Calif.  
B.S. (Loyola University of Los Angeles); M.S. (Space  
Physics) (Air Force Institute of Technology)  
*Dissertation:* Spectra of NO, N<sub>2</sub>O, CO<sub>2</sub> and H<sub>2</sub>O at 5.3  $\mu$   
of Interest to Studies of the Earth's Atmosphere  
*Field of Specialization:* Physics

Aldo Piperno, Rome, Italy  
Dr. of Jur. (University of Rome)  
*Dissertation:* A Socio-Legal History of the Psychopathic  
Offender Legislation in the United States  
*Field of Specialization:* Sociology

Joe Donald Pittman, Beallsville  
B.S. Agr., M.S.  
*Dissertation:* Effectiveness of Extension Service Programs  
in Selected Staffing Patterns as Perceived by Clientele  
*Field of Specialization:* Agricultural Education

John Franklin Plummer, Easton, Pa.  
B.S. (Williams College); M.S.  
*Dissertation:* The Reactions of Zero-Valent Platinum  
Phosphine Complexes with Titanium Tetrachloride  
*Field of Specialization:* Chemistry

Guiragos Kegham Poochikian, Beirut, Lebanon  
B.S. (American University of Beirut)  
*Dissertation:* Synthesis and Biological Activity of New  
Hypolipidemic Agents  
*Field of Specialization:* Pharmacy

Judith Ann Post, Hillsboro  
B.S.  
*Dissertation:* Splanchnic Hemodynamics as Related to  
Postprandial Humoral Influences  
*Field of Specialization:* Physiology

Veronika Borecka Rabl, Columbus  
M.Sc. (Weizmann Institute, Israel)  
*Dissertation:* Transformations Between Current and  
Constituent Quarks in the Free Quark Model  
*Field of Specialization:* Physics

Nick Joseph Rackoff, Youngstown  
B.I.E., M.S.  
*Dissertation:* An Investigation of Age-Related Changes  
in Drivers' Visual Search Patterns and Driving  
Performance and the Relation to Tests of Basic  
Functional Capacities  
*Field of Specialization:* Industrial and Systems  
Engineering

Charles Newell Rafferty, Columbus  
B.S.  
*Dissertation:* Protein Conformation in Bovine Retinal  
Outer Segment Membranes  
*Field of Specialization:* Biophysics

Mary Clare Rakowski, Omaha, Neb.  
B.S. Chem. (Creighton University)  
*Dissertation:* Complexes with Macrocyclic Ligands:  
1. The Oxidation Reduction Behavior of Iron Complexes  
II. Synthesis and Characterizations of Transition Metal  
Complexes Containing a Pentadentate Ligand  
*Field of Specialization:* Chemistry

Rogers Ellis Randall, Baton Rouge, La.  
B.A. (Dillard University); A.M. (University of  
Michigan); M.A.T. (Miami University)  
*Dissertation:* A Study of the Perceptions and Attitudes of  
Secondary School Students Toward Science as a School  
Subject, Science Content, and Science Teaching  
*Field of Specialization:* Education

Robert Davis Reynolds, Jr., Weatherford, Tex.  
B.M. (Texas Christian University); M. Mus. (University  
of Texas)  
*Dissertation:* Evolution of Notational Practices in  
Manuscripts between 1400-1450  
*Field of Specialization:* Music

Larry Hugh Rider, Speedway, Ind.  
B.A. (Anderson College); M.S. (Indiana State  
University)  
*Dissertation:* Leader Behavior, Locus of Control and  
Consultation Effectiveness of School Psychologists  
*Field of Specialization:* Education

Rodney Paul Riegle, Lima  
B.A. (Wittenberg University); M.A.  
*Dissertation:* The Logic of Classroom Questions  
*Field of Specialization:* Education

Sidney Rothenberg, Columbus  
B.A. (Brooklyn College); M.A. (Syracuse University)  
*Dissertation:* The Effect of Demonstrational-Cues and Repetition in Film-Mediated Instruction of Perceptual-Motor Skills for Trainable Mentally Retarded  
*Field of Specialization:* Education

Michael Jerome Rulon, Arcata, Calif.  
A.B. (Westmont College); M.A. (Humboldt State College)  
*Dissertation:* Retrieval Cue Effectiveness in Cued Recall  
*Field of Specialization:* Psychology

Burton Lester Russell, Ashtabula  
B.A. (Iowa State Teachers College); M.A. (State University of Iowa)  
*Dissertation:* The Utilization as Dramatic Material of Information on the Religiously Oriented, Liberal Arts College: A Report and a Play  
*Field of Specialization:* Theatre

Steve Staszak Ryan, Lancaster  
B.A. (State University of New York at Buffalo); M.F.A. (University of California, Los Angeles)  
*Dissertation:* The Recognition and Recall of Specific Film Techniques and the Quantitative Measurement of Some Traits and Degrees of Film Sophistication  
*Field of Specialization:* Education

Costandy Stephan Saba, Grantham, Pa.  
B.A. (Messiah College); M.S.  
*Dissertation:* The Liquid-Liquid Distribution of Zinc (II) Using  $\beta$ -Diketones and Their Sulfur Analogues  
*Field of Specialization:* Chemistry

Vijay Vishwanath Sathe, Baroda, India  
B.E. (University of Poona); M.S. (University of Wisconsin); M.B.A.  
*Dissertation:* Structural Adaptation to Environment: Study of Insurance Company Departments and Branch Banks  
*Field of Specialization:* Business Administration

Marsha Rockey Schermer, Poland  
A.B. (Antioch College); M.A.  
*Dissertation:* On Nietzsche's Purported Contradictoriness: A Reinterpretation of the Works of Friedrich Nietzsche With an Emphasis on Non-Assertional Linguistic Acts  
*Field of Specialization:* Philosophy

Richard Charles Schiming, Parma  
B.A. (Valparaiso University); M.A.  
*Dissertation:* The United States on a Silver Standard, 1873-1900: A Counterfactual History  
*Field of Specialization:* Economics

Renate Wolf Schulz, Columbus  
B.S. (Mankato State College); M.A. (University of Colorado)  
*Dissertation:* Discrete-Point Versus Simulated Communication Testing: A Study of the Effect of Two Methods of Testing on the Development of Communicative Proficiency in Beginning College French Classes  
*Field of Specialization:* Education

James Edwin Seward, Cheektowaga, N. Y.  
B.A. (State University of New York at Buffalo); M.A.  
*Dissertation:* A Rhetorical Analysis of Four Songs in the Rhetoric of the United States' Involvement in Indochina, 1966-70  
*Field of Specialization:* Communication

Elizabeth Stranathan Shaw, Columbus  
B.S.Ed., M.A.  
*Dissertation:* The Relationship of Expressed Problems in Classroom Behaviors on the Part of Children Referred for Intensive Counseling  
*Field of Specialization:* Education

Larry Ray Shonkwiler, Champaign, Ill.  
B.S., M.S. (University of Illinois)  
*Dissertation:* Consumer Attitudes Toward Food Store Selection and Perception of Store Conduct: Implications for Market Performance  
*Field of Specialization:* Agricultural Economics and Rural Sociology

Howard Daniel Hollis Showalter, Timberville, Va.  
B.A. (University of Virginia)  
*Dissertation:* I. Chemical Ionization Mass Spectrometry of Macrolide Antibiotics,  $\beta$ -Lactam Antibiotics, and Model Compounds II. Antimicrobial Agents from Higher Plants: Isolation of Canthin-6-One from *Zanthoxylum Elephantiasis* and Approaches to Its Synthesis and Analogs  
*Field of Specialization:* Pharmacy

James Michael Siddens, St. Cloud, Minn.  
B.A. (Kansas State University); M.A.  
*Dissertation:* Defoe's Rogue Novels and the Picaresque Tradition: A Reading of *Captain Singleton*, *Moll Flanders*, *Colonel Jack*, and *Roxana*  
*Field of Specialization:* English

Gurbachan Singh, Punjab, India  
B.Sc., M.Sc. (Panjab University)  
*Dissertation:* Farm Level Determinants of Credit Allocation and Use in Southern Brazil, 1965-1969  
*Field of Specialization:* Agricultural Economics and Rural Sociology

Shirley Tinkham Slater, Logan  
B.S.H.Ed., M.S. (Ohio University)  
*Dissertation:* Assessment of a Consumer Education In-Service Program in Relation to the Teaching Behavior of Home Economics Teachers  
*Field of Specialization:* Home Economics

George Ferrall Slaughter, Canton  
B.S. in Ed. (Ashland College); M.A.  
*Dissertation:* Racial Interaction Between Counselor and Client as a Factor in Counseling Outcome  
*Field of Specialization:* Education

Arthur Timothy Smith, Akron  
B.A., M.A. (Kent State University)  
*Dissertation*: Charles Butler's *The Principles of Music in Singing and Setting, with the Twofold Use Thereof, Ecclesiastical and Civil (1636)*: A Computer-Assisted Transliteration of Book I and the First Chapter of Book II, with Introduction, Supplementary Notes, Commentary, and Appendices  
*Field of Specialization*: Music

Emmett Daniel Smith, Sacramento, Calif.  
B.B.A. (Baylor University); M.Acc.  
*Dissertation*: The Effect of the Separation of Ownership from Control on Accounting Policy Decisions  
*Field of Specialization*: Accounting

Glenn Nils Smith, New Hyde Park, N. Y.  
B.S. (United States Military Academy); M.S.  
*Dissertation*: Mean Gravity Anomaly Prediction from Terrestrial Gravity Data and Satellite Altimetry Data  
*Field of Specialization*: Geodetic Science

Kevin Charles Smith, Columbus  
B.A. (La Salle College); M.A. (Lehigh University)  
*Dissertation*: The Militant Suffragettes as a Police Problem: London, 1906-1914  
*Field of Specialization*: History

Joseph Putnam Sperry, Delaware  
B.A. (Ohio Wesleyan University); M.A.  
*Dissertation*: Henry Adams and Thomas Pynchon: The Entropic Movement of Self, Society and Truth  
*Field of Specialization*: English

Patricia M. Stanaszek, Columbus  
B.S. (Eastern Illinois University); M.S.  
*Dissertation*: Isolation, Extraction and Measurement of Acetylcholine and Elucidation of Acetylcholine Synthesis by Separation and Identification of Some of the Intermediates of <sup>14</sup>C-Glucose Metabolism in *Laetobacillus plantarum*  
*Field of Specialization*: Microbiology

Ted William Storck, Hamilton  
B.S.  
*Dissertation*: Production and Population Dynamics of Two Fishes in a Small Woodland Stream  
*Field of Specialization*: Zoology

David Alan Stout, Worthington  
B.S.  
*Dissertation*: Bands of Ammonia in the 3-Micron Region  
*Field of Specialization*: Physics

Hui-Yang Su, Tainan, Taiwan  
B.S. (Taiwan Cheng Kung University)  
*Dissertation*: Pagination of Programs for Virtual Memory Systems  
*Field of Specialization*: Computer and Information Science

Salihu Suleiman, Zaria, Nigeria  
B.A. (Ahmadu Bello University)  
*Dissertation*: The Roles and Relevance of Art in Educational Development in Developing Nigeria  
*Field of Specialization*: Art Education

Donna Jean Thompson, Downers Grove, Ill.  
B.A. in Ed. (Western Washington College of Education); A.M. (Wheaton College)  
*Dissertation*: Selected Dimensions of Space as Criteria for the Selection of (Playground) Equipment for Children in an Outdoor Learning Environment  
*Field of Specialization*: Physical Education

Kenrick Steven Thompson, Westerville  
B.A., M.A.  
*Dissertation*: The Divorce Profile: Differential Social Correlates in 1952 and in 1972  
*Field of Specialization*: Sociology

Paul Robert Treece, Worthington  
B.S.Ed., M.A.  
*Dissertation*: Mr. Montana: The Life of Granville Stuart, 1834-1918  
*Field of Specialization*: History

Thomas Tucker, Kettering  
B.S. (Miami University); M.Ed. (Wright State University)  
*Dissertation*: A Historical Study of the Involvement of the Congress of Racial Equality in Public School Desegregation Actions from 1954 through 1973  
*Field of Specialization*: Education

Raymond Anthony Turk, Cleveland  
B.S., M.S. (John Carroll University)  
*Dissertation*: Exchange Dominated Surface Spin Waves in Thin Single Crystal Yttrium Iron Garnet Films  
*Field of Specialization*: Physics

Rosa Uy, Manila, Philippines  
B.S. (Adamson University); M.S.  
*Dissertation*: Evidence for the Occurrence of a Substrate-Induced Conformational Change in Bovine Trypsin  
*Field of Specialization*: Biochemistry

Louise Van Vliet, Columbus  
B.S., M.A.  
*Dissertation*: Phonemic Perception by Brain-Damaged Individuals  
*Field of Specialization*: Communication

Sherry Stienecker Vastbinder, Fairborn  
B.S., M.A.  
*Dissertation*: The Effects of Knowledge of Performance on the Behaviors of Educable Mentally Retarded Students and Their Teachers  
*Field of Specialization*: Education

Siriporn Dulayapoch Vongthier, Columbus  
B.Ed. (Chulalongkorn University, Thailand); M.A.  
*Dissertation*: A Pedagogical Study of Selected English  
Grammatical Difficulties of Advanced Thai Students  
*Field of Specialization*: Education

Robert Thomas Walker, Washington, D. C.  
A.B. (Hiram College); M.A.  
*Dissertation*: Prusso-Württembergian Military Relations  
in the German Empire, 1870-1918  
*Field of Specialization*: History

Carl Edward Warnes, Ashland  
B.S. (Otterbein College); M.S.  
*Dissertation*: The Microbiology of Chitin Decomposition in  
Lake Erie Sediments  
*Field of Specialization*: Microbiology

Sister Elizabeth Mary Waters, Dayton  
B.S. in Ed. (Athenaeum of Ohio); M.Ed. (Xavier  
University)  
*Dissertation*: A Construct for the Conceptualization of the  
Leadership Role of the Cooperating Teacher  
*Field of Specialization*: Education

Leland Earl Watkins, Groveport  
B.S.Agr., M.S.  
*Dissertation*: The Effects of Breed Group, Protein Level  
and Sex on Live and Carcass Traits of Swine  
*Field of Specialization*: Animal Science

Dorothy Ann Wedge, Fairfield, Conn.  
B.S. (Wagner College); M.S. (University of Bridgeport)  
*Dissertation*: A Study of Children's Awareness of Selected  
Public Issues  
*Field of Specialization*: Education

Michael Vernon Wells, Kettering  
B.A. (Wright State University); M.A.  
*Dissertation*: Sex and the Law in Colonial New England  
*Field of Specialization*: History

Douglas Allen Wertman, Catasauqua, Pa.  
B.A. (Dickinson College); M.A.  
*Dissertation*: The Electorate of Religiously-Based  
Political Parties: The Case of the Italian Christian  
Democratic Party  
*Field of Specialization*: Political Science

Michael Robert White, Columbus  
B.S. (Northern Illinois University); M.Ed. (University of  
Georgia)  
*Dissertation*: A National Assessment of the Problems and  
Information Needs of Curriculum Developers in Industrial  
Education  
*Field of Specialization*: Education

Shelton Odell Williams, Marion  
B.S.Ed., M.A.  
*Dissertation*: An Investigation of the Role of Ohio School  
Psychologists in Providing In-Service Training to School  
Personnel  
*Field of Specialization*: Education

Theodore Lawrence Wilke, Dayton  
B.S. (United States Air Force Academy); M.S.  
(Massachusetts Institute of Technology); M.B.A.  
(University of Dayton)  
*Dissertation*: Information Requirements for Decision-  
Making in Dynamic Production Planning and Control  
Systems  
*Field of Specialization*: Industrial and Systems  
Engineering

David Robert Winter, Highland Park, Ill.  
B.A. (Xavier University); M.A.  
*Dissertation*: Theocritus' *Thalysia*  
*Field of Specialization*: Classics

Stacy Woodford, Columbus  
B.S.Ed.; M.Ed. (Xavier University)  
*Dissertation*: A Study of a Staff Development Program  
on Perceived Problem Resolution in a Predominantly  
Black Inner City Junior High School  
*Field of Specialization*: Education

Nyebuchi Jonathan Wosu, Woji-Obia, Biafra  
B.S., D.V.M. (Colorado State University); M.S.  
*Dissertation*: Studies in Serodiagnosis of  
Encephalitozoonosis of Rabbits  
*Field of Specialization*: Veterinary Pathobiology

Cathy Joan Wright, Columbus  
B.S.Ed. (University of Maine); M.S.  
*Dissertation*: A Longitudinal Analysis of Social-  
Psychological Response to Watershed Development in a  
Rural Ohio Community  
*Field of Specialization*: Agricultural Economics and  
Rural Sociology

Gary Lee Wright, Hooven  
B.S. (Eastern Kentucky University); M.S. (New Mexico  
State University)  
*Dissertation*: Factors Affecting Lead Poisoning in Rats  
*Field of Specialization*: Physiology

## Master of Accounting

Two candidates

Fred Richard Allison,  
State College, Pa.  
B.S. (Pennsylvania State University)  
*Field of Specialization*: Accounting

Mary Kuo Lee, Taipei, Taiwan  
B.S. in Agr. (National Taiwan  
University)  
*Field of Specialization*: Accounting

## Master of Architecture

Three candidates

Lawrence William Brandstetter,  
Cincinnati  
B.S.Arch.  
*Field of Specialization*: Architecture

Brandol Maury Harvey,  
Hampton, Va.  
B.Arch. (Hampton Institute)  
*Field of Specialization*: Architecture

Dong Kyu Kim, Seoul, Korea  
B.E. (Hanyang University)  
*Field of Specialization*: Architecture

## Master of Arts

Five hundred and four candidates

Salvatore Matthew Abate,  
East Cleveland  
B.A. (John Carroll University)  
*Field of Specialization*: Classics

Christene Anderson Acker, Wooster  
B.S.Ed. (Otterbein College)  
*Field of Specialization*: Education

James Mack Adams, Johnstown  
B.S. (East Tennessee State College)  
*Field of Specialization*: Education

Edward A. Aiken, Berkeley, Calif.  
B.A. (Claremont Men's College);  
B.F.A. (California College of Arts  
and Crafts)  
*Field of Specialization*: History of  
Art

James Vincent Allen, Columbus  
B.S. (Otterbein College)  
*Field of Specialization*: Education

Paulette Lea Allshouse, Findlay  
B.S.Ed.  
*Field of Specialization*: Education

Janice Lorraine Alsop, Lebanon  
B.S. in Ed. (Central State University)  
*Field of Specialization*: Education

Betty Jean Anderson,  
North Augusta, S. C.  
B.S. (Paine College)  
*Field of Specialization*: Education

Janelle Richards Anderson,  
Reynoldsburg  
B.S. (Findlay College)  
*Field of Specialization*: Education

Marilyn Patricia Anderson, Columbus  
B.S.Ed.  
*Field of Specialization*: Education

Sandra Jean Anderson, Columbus  
B.S. in Educ. (Wittenberg  
University)  
*Field of Specialization*: Art  
Education

Thomas Francis Anderson, Columbus  
A.B. (Findlay College)  
*Field of Specialization*: Public  
Administration

Sara VanGilder Andrick, Columbus  
A.B. in Ed. (Fairmont State College)  
*Field of Specialization*: Education

Barbra Frank Andrisani, Columbus  
B.S.Ed. (University of Delaware)  
*Field of Specialization*: Education

Sister Angelica Armstrong, Columbus  
B.A. (College of Saint Mary of the  
Spring)  
*Field of Specialization*: Art Education

John Eric Arnold, Loudonville  
B.A.Jour.  
*Field of Specialization*: Journalism

Michael Albert Baciak, Norway, Mich.  
B.A. (Northern Michigan University)  
*Field of Specialization*: Education

Kathleen Dallas Bailey,  
Philadelphia, Pa.  
B.A.  
*Field of Specialization*: Education

Stephen Michael Bailey,  
Jackson, Miss.  
B.A. (University of Mississippi)  
*Field of Specialization*: Journalism

Deborah Ann Ballam, Columbus  
B.A.  
*Field of Specialization*: History

Saundra Henricks Bandy, Pataskala  
B.S.Ed.  
*Field of Specialization*: Education

Frances Louise Barnes,  
Jeffersontown, Ky.  
B.A.Educ. (University of Kentucky)  
*Field of Specialization*: Education

Terry M. Barrett, Clayton, Mo.  
A.B. (Webster College)  
*Field of Specialization*: Art Education

Rebecca Williamson Bates, Columbus  
B.A.  
*Field of Specialization*: Romance  
Languages and Literatures

Charles Malette Beattie, II,  
Rocky Mountain, N. C.  
B.A. (North Carolina Central  
University)  
*Field of Specialization*: Education

Michael Stephen Beattie,  
Burlingame, Calif.  
B.S. (University of California,  
Davis)  
*Field of Specialization*: Psychology

Lawrence Edgar Bechler,  
B.A.  
Glendale, Wis.  
*Field of Specialization*: Anthropology

William Purdy Bedford, Jr.,  
Bridgeport, Ill.  
A.B. (Morehead State University);  
M.A.  
*Field of Specialization*: Education

Donald Lee Beech, Painesville  
B.A.  
*Field of Specialization*: Journalism

Emyrtle Hayes Bennett, Jefferson  
B.S.Ed.  
*Field of Specialization*: Education

Leatha Mae Bennett, Madison, Miss.  
B.A. (Tougaloo College)  
*Field of Specialization*: Psychology

Joseph Charles Bentz, Coshocton  
B.S.Bus.Adm.  
*Field of Specialization*: Business  
Administration

Willard J. Bergeron, Jr.,  
Destrehan, La.  
B.S. (Southeastern Louisiana  
University)  
*Field of Specialization*: Education

Susan Lambert Berner, Columbus  
B.S.Ed. (Ohio Northern University)  
*Field of Specialization*: Education

Elaine Dank Bernstein, Columbus  
B.S.Ed.  
*Field of Specialization*: Education

James Virgil Bina, Spillville, Ia.  
B.A. (University of Northern Iowa)  
*Field of Specialization*: Education

Richard Elton Bloom, Lorain  
B.S.J. (Ohio University)  
*Field of Specialization: Journalism*

Jimmy Darl Bolen, Willard  
B.S.Ed.  
*Field of Specialization: Education*

Namihira Bolton, Oakland, Calif.  
B.S. (University of Illinois)  
*Field of Specialization: Education*

William Bixler Bone, Stow  
B.S. in Edu. (Miami University)  
*Field of Specialization: Physical Education*

Eva Franson Booth, Columbus  
B.S. in Educ. (Kent State University)  
*Field of Specialization: Education*

Linda Lou Borders, Columbus  
B.S.Ed. (Ohio University)  
*Field of Specialization: Education*

John Francis Bosse, Columbus  
B.A. (Don Bosco College)  
*Field of Specialization: Education*

Althea Ann Bowman, Elyria  
B.S.Ed.  
*Field of Specialization: Education*

Helen Helwig Bowman,  
Tallahassee, Fla.  
B.S. (Florida State University)  
*Field of Specialization: Psychology*

Ruth Dickerson Boyd, Akron  
B.S. in Ed. (Ball State Teachers  
College)  
*Field of Specialization: Education*

Gretchen Hendrickson Brill, Columbus  
B.S. (Iowa State University)  
*Field of Specialization: Education*

Robert Allen Brooks, Circleville  
B.S.Ed.  
*Field of Specialization: Education*

Betsy Etheridge Brown,  
Woodleaf, N. C.  
B.S. (Appalachian State University)  
*Field of Specialization: English*

Bill Arnold Brown, Worthington  
B.S.Ed.  
*Field of Specialization: Education*

Sue Ellen Brown, Columbus  
B.S.Ed.  
*Field of Specialization: Education*

Barbara Louise Brugnaux,  
Terre Haute, Ind.  
B.A. (Saint Mary of the Woods  
College)  
*Field of Specialization: Journalism*

Kathleen Hanley Buchholz, Columbus  
B.S.Ed.  
*Field of Specialization: Education*

Steven Eugene Buckley, Columbus  
B.S. (Kent State University)  
*Field of Specialization: Music*

Sue Ann Bugansky, Andover  
A.B. (Ohio University)  
*Field of Specialization: Education*

Barbara Sponsel Bulthaupt,  
Westerville  
B.A. (Otterbein College)  
*Field of Specialization: English*

Steve Duane Burger, Columbus  
B.S.Ed.  
*Field of Specialization: Education*

Lawrence Quinton Burgess, Lancaster  
A.B. (Morehead State University)  
*Field of Specialization: Education*

Virginia Hays Burney, Springfield  
B.A. (DePauw University)  
*Field of Specialization: Education*

Georgia Connor Burns, Columbus  
B.F.A.  
*Field of Specialization: Dance*

Marian Robinson Burnside,  
Worthington  
B.S.Ed. (Indiana University)  
*Field of Specialization: Education*

Sister Barbara Marian Butterhof,  
Arlington, Va.  
A.B. (Immaculata College)  
*Field of Specialization: Education*

Jacqueline Annette Caldwell,  
Lake Wales, Fla.  
B.S. (University of Iowa)  
*Field of Specialization: Psychology*

Paula Dorothea Cannon, Roseville  
B.S.Bus.Adm.  
*Field of Specialization: Education*

Araceli Maria Cantero, Madrid, Spain  
A.B. (University of Miami)  
*Field of Specialization: Journalism*

Linda Lee Carroll, Columbus  
B.A.  
*Field of Specialization: Education*

Linda Smith Carter, Columbus  
B.S. (Otterbein College)  
*Field of Specialization: Education*

Allen McGarry Cassell,  
Hyde Park, N. Y.  
B.S. (State University of New York  
College at Brockport)  
*Field of Specialization: Physical Education*

Margaret Brown Cater, Columbus  
B.S.Ed. (Ashland College)  
*Field of Specialization: Education*

Kwanruen Chai-Udom,  
Bangkok, Thailand  
B.A. (Chulalongkorn University)  
*Field of Specialization: Communication*

Carla J. Chambers, Columbus  
B.S.Ed. (Central State University)  
*Field of Specialization: Education*

Judith Lee Chambers, Columbus  
B.A. (Marshall University)  
*Field of Specialization: Education*

Wen-Hsiang Chi, Taipei, Taiwan  
B.Ed. (National Taiwan Normal  
University); M.Ed. (National  
Chengchi University)  
*Field of Specialization: Education*

Jane Ann Chilcote, Columbus  
B.A.  
*Field of Specialization: Education*

Donna Blumenthal Chlopak,  
Cranbury, N. J.  
A.B. (Rutgers—The State  
University)  
*Field of Specialization: Psychology*

Marjorie Miller Chong, Ironton  
B.S. (Ohio University)  
*Field of Specialization: Education*

Carmelyn Donna Civiletto,  
Fredonia, N. Y.  
B.S.Ed. (State University of  
New York College at Geneseo)  
*Field of Specialization: Education*

Doris Mae Clanton, Nashville, Tenn.  
B.S. (Tennessee State University)  
*Field of Specialization: Political Science*

Selda Clanton, Enfield, N. C.  
B.S. (Winston-Salem State  
University)  
*Field of Specialization: Education*

Sarah Jane Clark, Westlake  
B.A.  
*Field of Specialization: Education*

William Cochrane Clemens, Columbus  
B.S. (State University of New York  
College at Oswego)  
*Field of Specialization: Education*

- Martin Keith Cliser, Wheeling, W. Va.  
A.B. (West Liberty State College)  
*Field of Specialization:* Education
- John Kenneth Colgrove, Painesville  
B.A., J.D., B.S.Ed.  
*Field of Specialization:* Education
- Susan Marie Conard, London  
B.S.Ed.  
*Field of Specialization:* Education
- Roger Burris Conover, Springfield  
B.S. (Miami University); B.S.Ed.  
*Field of Specialization:* Education
- Deborah McGee Coss, Columbus  
B.S.Ed.  
*Field of Specialization:* Education
- David Charles Coulson, Sacramento, Calif.  
B.A. (California State University, Sacramento)  
*Field of Specialization:* Journalism
- Margaret Jean Courtwright, Pittsburgh, Pa.  
B.S. (Westminster College)  
*Field of Specialization:* Education
- Joseph Powell Covington, III, Franklin, Tenn.  
B.A. (Vanderbilt University)  
*Field of Specialization:* Romance Languages and Literatures
- Valecia Ingle Crisafulli, Columbus  
B.A. (Carson-Newman College)  
*Field of Specialization:* Education
- Sharon Anne Crook, Granville  
B.S.Ed.  
*Field of Specialization:* Journalism
- Keith Francis Cross, Rockport, Mass.  
B.A. (University of Massachusetts)  
*Field of Specialization:* English
- Joanne Murphy Cunard, Newark  
A.B. (Ohio University)  
*Field of Specialization:* Education
- David Winn Cunningham, Jr., Pahokee, Fla.  
B.M.E. (Florida State University)  
*Field of Specialization:* Music
- Noel Edward Curran, Worthington  
B.S.Ed. (Bowling Green State University)  
*Field of Specialization:* Education
- Louis Paul Cusella, Lorain  
B.A. (Kent State University)  
*Field of Specialization:* Communication
- John Gregory Daly, Columbus  
B.A. (Marquette University)  
*Field of Specialization:* Journalism
- Charlene Severance Darst, Columbus  
B.S. (Slippery Rock State College)  
*Field of Specialization:* Physical Education
- Evadean Wright Davis, Columbus  
A.B. (West Virginia University)  
*Field of Specialization:* Education
- Donald Gerrard Dawson, Columbus  
B.S.Ed.  
*Field of Specialization:* Education
- Joyce Ann Daye, Durham, N. C.  
B.A. (Barber-Scotia College)  
*Field of Specialization:* Education
- Dorothy Marie Deibel, Westerville  
B.A. (Muskingum College)  
*Field of Specialization:* Education
- Paul Francis Denver, Columbus  
B.A. (Williams College); M.A.  
*Field of Specialization:* English
- Linda Herriott Dietz, Columbus  
B.S.Ed. (Muskingum College)  
*Field of Specialization:* Music
- Nancy Patricia Dignon, Central Falls, R. I.  
B.A. (University of Rhode Island)  
*Field of Specialization:* Communication
- Victor Paul Doritan, Columbus  
B.S.Ed.  
*Field of Specialization:* Physical Education
- Carla Dawson Dowler, Columbus  
B.A. (West Virginia Wesleyan College)  
*Field of Specialization:* Education
- Linda Ann Duncan, Springfield, Mass.  
B.A. (Howard University)  
*Field of Specialization:* Education
- Madaline D'Alesio Dunlevy, Columbus  
B.A.  
*Field of Specialization:* Communication
- Myrna Smith Dupler, Columbus  
B.A., B.S.Ed.  
*Field of Specialization:* Education
- Joseph William Dwenger, Columbus  
B.S.Ed. (Bluffton College)  
*Field of Specialization:* Education
- Nancy Beck Dwenger, Columbus  
B.S.Ed.  
*Field of Specialization:* Education
- Ellen McShane Earley, Painted Post, N. Y.  
B.A. (Montclair State College)  
*Field of Specialization:* Education
- Rebecca Ann Eberle, Grand Island, N. Y.  
B.S.Ed. (State University of New York College at Geneseo)  
*Field of Specialization:* Education
- Okon Akpan Ekanem, Columbus  
B.A.Ed., M.S.Ed. (Kearney State College)  
*Field of Specialization:* Education
- Terry Lee Elledge, Columbus  
B.S.Ed. (Ohio University)  
*Field of Specialization:* Education
- Terry Lee Elliott, Columbus  
B.S.Ed.  
*Field of Specialization:* Education
- Virginia Hobba Elliott, Marietta  
B.A. (Marietta College)  
*Field of Specialization:* Communication
- David Lee Embry, Morrilton, Ark.  
B.S. (Lincoln University)  
*Field of Specialization:* Education
- Helma Stegmeyer English, Columbus  
B.A. (Ohio Northern University)  
*Field of Specialization:* Education
- Natalie Rae Epstein, Columbus  
B.S.Ed.  
*Field of Specialization:* Education
- Judy Ann Erskine, Columbus  
B.S. (Butler University)  
*Field of Specialization:* Education
- Paula Leah Eschmann, Waterloo, Ill.  
B.S. (University of Illinois)  
*Field of Specialization:* Education
- Jane Ellen Evans, Hanover, Ind.  
B.A. (Hanover College)  
*Field of Specialization:* Education
- Nancy Nagy Evans, Columbus  
B.S.Ed. (University of Cincinnati)  
*Field of Specialization:* Education
- William Charles Farago, Columbus  
B.S.Ed.  
*Field of Specialization:* Education
- Susan Kay Feisley, Clarington  
B.S. (Otterbein College)  
*Field of Specialization:* Education
- Sally Ann Harris Ferguson, Franklin, Va.  
B.A. (Norfolk State College)  
*Field of Specialization:* English



- Guadalupe Teresa Ferran,  
Brooklyn, N. Y.  
B.A. (Hunter College)  
*Field of Specialization: Education*
- Ruth Cox Feucht, Groveport  
B.S.Ed. (Capital University)  
*Field of Specialization: Education*
- David Paul Fink, Brooklyn, N. Y.  
B.A. (State University of New York  
at Albany)  
*Field of Specialization: Journalism*
- Wilbur Earl Fleming, Homeworth  
B.S. (Kent State University)  
*Field of Specialization: Education*
- Sandra Ellis Folk, Blacklick  
B.S. (Indiana State University)  
*Field of Specialization: Education*
- Phyllis Curle Fowlkes, Columbus  
B.S.Ed. (Ohio University)  
*Field of Specialization: Black Studies*
- Lowell Douglas Franga, Granville  
B.A. (Denison University)  
*Field of Specialization: Public  
Administration*
- Stephen Martin Freeman,  
Bellaire, Tex.  
B.A. (University of Texas)  
*Field of Specialization: Psychology*
- Pamela Lynn Freese, Marietta  
B.A.  
*Field of Specialization: English*
- Carla Coffman Fry, Columbus  
B.S.Ed.  
*Field of Specialization: Education*
- Arnold Denzil Gabriel, Circleville  
B.S.Ed. (Ohio University)  
*Field of Specialization: Education*
- Carol Goerne Gabriel, Streator, Ill.  
B.A. (North Central College)  
*Field of Specialization: Education*
- Kendra Michelle Gailium, Columbus  
B.A.  
*Field of Specialization: Journalism*
- Linda Jane Gallagher, Columbus  
B.S.Ed. (Ohio University)  
*Field of Specialization: Education*
- William Louis Gardner, Columbus  
B.A.  
*Field of Specialization: Education*
- Donald Edward Gieb, Reynoldsburg  
A.B. (Ohio University)  
*Field of Specialization: Business  
Administration*
- Nancy Ellen Gilson, Columbus  
B.A. (Miami University)  
*Field of Specialization: Journalism*
- William Ray Goepfert, Columbus  
B.S.Ed.  
*Field of Specialization: Education*
- Gregory Goodman, Lakewood  
B.S.Ed.  
*Field of Specialization: Education*
- Richard Davis Gordin, Jr., Delaware  
B.A. (Ohio Wesleyan University)  
*Field of Specialization: Physical  
Education*
- James Richard Gould, Westerville  
B.A.  
*Field of Specialization: Education*
- Anne Farmer Graf, Columbus  
B.A. (Hollins College)  
*Field of Specialization: Education*
- Cathy Lynn Granat, Glencoe, Ill.  
B.S.Ed.  
*Field of Specialization: Education*
- James Clyde Granger, Columbus  
B.S.Ed. (Otterbein College)  
*Field of Specialization: Education*
- Lois Meier Granick, Columbus  
B.S.Ed.  
*Field of Specialization: Education*
- Patricia Sklarski Graumlich,  
Columbus  
B.S.Ed.  
*Field of Specialization: Education*
- John Morris Green, Columbus  
B.A. (University of Kentucky)  
*Field of Specialization: Education*
- Lawrence Richard Gress, Jr.,  
Bellaire  
A.B. (West Liberty State College)  
*Field of Specialization: Education*
- Deborah Louise Griffith, Delaware  
B.S.Ed. (Miami University)  
*Field of Specialization: Education*
- Judy Griffith, Jackson, Miss.  
B.S. (Jackson State College)  
*Field of Specialization: Education*
- Paulette Grimes, Akron  
B.L.S. (Boston University)  
*Field of Specialization: Education*
- Terry Keith Grimes, Lexington, Ky.  
B.S. (Kentucky State College)  
*Field of Specialization: Music*
- Virginia Mabrey Gunnell, Columbus  
B.S. (Saint Paul's College, Virginia)  
*Field of Specialization: Education*
- Gene Robert Hagerman,  
Milwaukee, Wis.  
B.S. (University of Wisconsin)  
*Field of Specialization: Physical  
Education*
- Christine Bair Hainline,  
Covina, Calif.  
B.A.  
*Field of Specialization: History*
- Kathleen McFeaters Hamilton,  
Columbus  
B.S.Ed.  
*Field of Specialization: Education*
- Margaret Wolpert Haney, Amlin  
B.S.Ed. (Ohio University)  
*Field of Specialization: Education*
- Mary Lyons Harden, Columbus  
B.S.Ed.  
*Field of Specialization: Education*
- Judith Marie Harmon, Louisville  
B.S.Ed.  
*Field of Specialization: Education*
- Karen Marie Harper, Columbus  
B.S. (Kent State University)  
*Field of Specialization: Education*
- Sister Mary Eleanor Harrigan,  
Columbus  
B.A. (Ohio Dominican College)  
*Field of Specialization: Education*
- Eleanor McClary Harris, Westerville  
B.S. (Olivet Nazarene College)  
*Field of Specialization: Education*
- Lois Cool Harsh, Columbus  
B.S.Ed.  
*Field of Specialization: Education*
- William Harry Harsh, Masury  
B.S.Ed.  
*Field of Specialization: Education*
- Jeanne Ann Hartig, Pittsburgh, Pa.  
B.A. (Allegheny College)  
*Field of Specialization: History*
- Dennis Ray Hartman, Columbus  
B.S.Ed.  
*Field of Specialization: Physical  
Education*
- Linwood Mansfield Harton, Jr.,  
Fayetteville, N. C.  
B.A. (University of North Carolina)  
*Field of Specialization: Geography*
- Doc. Bonds Hatfield, Columbus  
B.S. (Eastern Kentucky State  
College)  
*Field of Specialization: Education*

- Myrtle Alma Hatfield, Columbus  
B.S. (Eastern Kentucky State College)  
*Field of Specialization: Education*
- Pamela Hecker, Columbus  
B.A. (College of William and Mary)  
*Field of Specialization: Education*
- Peter Hoguet Helmer, Washington, D. C.  
B.A. (Hobart College)  
*Field of Specialization: Journalism*
- Margaret Berret Henderson, Johnstown, Pa.  
B.S. (University of Pittsburgh)  
*Field of Specialization: Psychology*
- Charles William Hess, Columbus  
B.A. (Capital University)  
*Field of Specialization: Education*
- Dennis Arnold Heuerman, Lima  
B.S. (Findlay College)  
*Field of Specialization: Education*
- Scott Rost Hickey, Columbus  
B.M.Ed. (Capital University)  
*Field of Specialization: Music*
- Mary McGovern Higley, Ashtabula  
B.S.Ed. (Mercyhurst College)  
*Field of Specialization: Education*
- Karen Lee Hillyard, Grove City  
B.S.Ed. (Otterbein College)  
*Field of Specialization: Education*
- Ronnie Marlene Hochman, Celoron, N. Y.  
B.S. (State University of New York College at Buffalo)  
*Field of Specialization: Education*
- Kris Kridel Hogan, Columbus  
B.S.J. (Ohio University)  
*Field of Specialization: Journalism*
- Ruth Elizabeth Holdstein, Shaker Heights  
R.F.A.  
*Field of Specialization: Art Education*
- Joan Holland, Columbus  
B.S. (Winston-Salem State University)  
*Field of Specialization: Education*
- Dennis Charles Hollins, Buffalo, N. Y.  
B.A. (Hampton Institute)  
*Field of Specialization: Journalism*
- Howard Bennett Holmes, Columbus  
B.S.Ed. (Ashland College)  
*Field of Specialization: Education*
- Rosemary Tysko Hornak, Martins Ferry  
B.A. (Wheeling College)  
*Field of Specialization: Psychology*
- Sally Ann Hudson, Columbus  
B.A. (Wittenberg University)  
*Field of Specialization: Education*
- Donald Price Huey, Columbus  
B.S. (Memphis State University);  
M.Div. (Austin Presbyterian Theological Seminary)  
*Field of Specialization: Education*
- Howard Clark Hughes, Norristown, Pa.  
B.A. (Pennsylvania State University)  
*Field of Specialization: Psychology*
- Charles Bently Humble, Rogersville, Mo.  
B.S.Ed. (Southwest Missouri State College)  
*Field of Specialization: Physical Education*
- Anna Lee Richmond Humphrey, Columbus  
B.S.Ed. (Wilmington College)  
*Field of Specialization: Education*
- Barbara Jesson Humphreys, Delaware  
B.A. (Ohio Wesleyan University)  
*Field of Specialization: Education*
- Fredric Michael Hustey, Columbus  
B.S.Ed.  
*Field of Specialization: Education*
- Robert Ernest Huston, Pasadena, Calif.  
B.A. (Pasadena College)  
*Field of Specialization: Psychology*
- Gerald Lee Hutchins, Columbus  
A.B. (Eastern Kentucky State College)  
*Field of Specialization: Political Science*
- Marsha Mitchell Hutchins, Columbus  
B.A. (Ohio Wesleyan University)  
*Field of Specialization: Education*
- Joel Culver Iles, Columbus  
B.S.Ed.  
*Field of Specialization: Education*
- Linda Definger Isler, Delaware  
B.Mus.Ed.  
*Field of Specialization: Music*
- Nadine Marie Ivy, Union Springs, Ala.  
B.A. (Morris Brown College)  
*Field of Specialization: English*
- Carroll Lee Jackson, Crystal Lake, Ia.  
B.S. (Westmar College)  
*Field of Specialization: Education*
- Annie Deloris James, Dillon, S. C.  
B.A. (Benedict College)  
*Field of Specialization: English*
- Gracie Mae James, Pine Bluff, Ark.  
B.A. (University of Arkansas)  
*Field of Specialization: Education*
- Margot Marietta James, Colonial Heights, Va.  
B.S. (Hampton Institute)  
*Field of Specialization: Education*
- Jerry Alan Janson, Tiffin  
A.B. (Carthage College)  
*Field of Specialization: Education*
- Jean Lynette Johnson, Dayton  
B.S.Ed.  
*Field of Specialization: Education*
- Leanne Kay Johnson, Worthington  
B.A. (Towson State College)  
*Field of Specialization: Education*
- Patricia Ann Johnson, Delaware  
B.A. (Ohio Wesleyan University);  
M.A. (Middlebury College)  
*Field of Specialization: Psychology*
- Kenneth LeRoy Johnston, Newark  
B.A. (University of Toledo);  
B.D. (Northwestern University)  
*Field of Specialization: Education*
- Gregory Scott Jones, Euclid  
B.S.Ed.  
*Field of Specialization: Physical Education*
- Jeffrey Leland Jones, Findlay  
B.A. (Otterbein College)  
*Field of Specialization: Physical Education*
- Will Roger Jones, Jr., Columbus  
B.S. (Central State College)  
*Field of Specialization: Education*
- Joseph Ferdinand Jordan, Newark  
B.A. (Norfolk State College)  
*Field of Specialization: Black Studies*
- Samuel Joseph, III, Grove City  
B.A.Ed. (Fairmont State College)  
*Field of Specialization: Education*
- Nancy Helen Jurecki, Elyria  
B.A. (Cleveland State University)  
*Field of Specialization: Education*
- Nancy Lou Justice, Haddonfield, N. J.  
A.B. (Indiana University)  
*Field of Specialization: Romance Languages and Literatures*
- Anthony David Kazee, Caledonia  
B.S.Ed.  
*Field of Specialization: Education*

Gary Edward Keeton, Pittsburgh, Pa.  
B.S. (Marietta College); M.Ed. (Ohio University)

*Field of Specialization:* Education

Wayne Keiser, Grove City

B.S.Ed.

*Field of Specialization:* Education

Barbara Jemison Kelsey, Columbus

B.S.Ed.

*Field of Specialization:* Education

Barbara Stevenson Kerkhoff,

Chester, Va.

B.A. (Mary Washington College)

*Field of Specialization:* Education

Gladys McIntosh Kershaw, Columbus

B.S.Ed.

*Field of Specialization:* Education

Barbara Shulters Kimball, Columbus

B.S.Ed. (Ohio University)

*Field of Specialization:* Education

Clifford Elwood Kindle, Kenton

B.S.Ed. (Kent College)

*Field of Specialization:* Education

Kamilla K. King, Zanesville

B.A. (Miami University)

*Field of Specialization:* Public Administration

Marcia Ann Klaus, Montague, Mass.

B.A. (Southeastern Massachusetts University)

*Field of Specialization:* Education

Lawrence Francis Koebel, Westerville

B.S.Ed.

*Field of Specialization:* Education

Jean Anna Koszoru, Augusta, N. J.

B.A. (Roanoke College)

*Field of Specialization:* Education

Kathleen Ellen Kowaleski, Zanesville

B.S.H.S.S. (Ohio University)

*Field of Specialization:* Education

Robert William Kratzer, Columbus

B.S.Ed.

*Field of Specialization:* Education

Dora Metz Kunz, Columbus

B.S.Ed.

*Field of Specialization:* Education

Jack Rudolph Ladyga, Columbus

B.S.Ed. (Ohio University)

*Field of Specialization:* Education

Jessica Jo Lahr, Columbus

B.S.Ed.

*Field of Specialization:* Education

Janet Mary Lampe, Worthington

B.A. (Ohio Dominican College)

*Field of Specialization:* Education

Mari-Jean Piotrowski Landgraf,  
Columbus

B.S. (Rhode Island College)

*Field of Specialization:* Public Administration

Linda Kay Langdon, Marion

B.S. (Ohio Northern University)

*Field of Specialization:* Education

Susan Niswonger Lareau, Columbus

B.S.Ed. (Youngstown University)

*Field of Specialization:* Education

Pinn Laursen, Mansfield

B.A. (Capital University)

*Field of Specialization:* Education

Lillie Mae Lay, Columbus

B.A. (North Carolina Central University)

*Field of Specialization:* Education

Darryl P. Leduff, New Orleans, La.

B.A. (Louisiana State University)

*Field of Specialization:* Black Studies

Joyce Ann Lee, Columbus

B.S.Ed.

*Field of Specialization:* Education

Steven Everett Lees,

Moorestown, N. J.

B.S. (Baker University)

*Field of Specialization:* Journalism

Patricia Schroder Leithe, Columbus

Cert. Grad. Dent. Hyg., B.S.Ed.

*Field of Specialization:* Education

Addie Marie Lenyon,

Portsmouth, Va.

A.B. (Norfolk State College)

*Field of Specialization:* Education

James Morris Levin,

Newton Highlands, Mass.

A.B. (Boston University)

*Field of Specialization:* German

Michael Marc Levy, Skokie, Ill.

A.B. (University of Illinois)

*Field of Specialization:* English

Georgia Mae Lewis, Marion

B.A. (Morehead State University)

*Field of Specialization:* Education

Linda Kay Lewis, Grove City

B.S.Nurs.

*Field of Specialization:* Health Education (Physical Education)

Lutricia Ann Lewis, Hollister, N. C.

B.S.Ed. (Elizabeth City State College)

*Field of Specialization:* Education

Jennie Kah Lincoln, Marietta

B.A. (Centre College of Kentucky)

*Field of Specialization:* Political Science

Sherry Mollenkopf Linert,

East Palestine

B.S.Ed.

*Field of Specialization:* Physical Education

Henri Joyce Lockhart,

Freeport, N. Y.

B.A. (Fisk University)

*Field of Specialization:* Education

Mary Louise Logan, Newark

B.S.Ed. (Central State College)

*Field of Specialization:* Education

Gary Alan Loke, Wallingford, Conn.

B.A.

*Field of Specialization:* Education

Linda Carol Lopez,

Gales Ferry, Conn.

B.A. (University of Wisconsin)

*Field of Specialization:* Psychology

Rosemarie LoPresti, Columbus

B.S.Ed.

*Field of Specialization:* Education

Penelope Senyak Ludwig, Cleveland

A.B. (Ohio University)

*Field of Specialization:* Education

Carol Sykora Lyle, New Concord

B.M. (Muskingum College)

*Field of Specialization:* Education

Janet Horvath Lynn, Columbus

B.S.Ed.

*Field of Specialization:* Education

Joan Hazlett Lynne, Columbus

B.S.Ed.

*Field of Specialization:* Education

Ellen Marie Trinter MacFarlane,

Vermilion

B.A. (Wittenberg University)

*Field of Specialization:* Education

Mignonne Spring Machamer,

Worthington

B.A. (Roosevelt University)

*Field of Specialization:* Education

Thaddeus Stevens Madden, Jr.,

Newport News, Va.

B.A. (Hampton Institute)

*Field of Specialization:* Journalism

Lorene Marten Malanowski,

Columbus

B.A. (Capital University)

*Field of Specialization:* Education

- Mary Jo Crawford Malowney,  
Columbus  
B.S.Ed.  
*Field of Specialization: Education*
- Linda Middleton Mann,  
Yellow Springs  
B.S.Ed. (Central State College)  
*Field of Specialization: Physical Education*
- Sylvia Thomas Markham,  
Landover, Md.  
B.A. (University of Maryland)  
*Field of Specialization: Education*
- Janet Lodwick Marshall, Bellville  
B.S.Ed. (Muskingum College)  
*Field of Specialization: Education*
- Deborah Grimes Marston, Columbus  
B.S.  
*Field of Specialization: Classics*
- Marsha Dianne Mason,  
Nicholasville, Ky.  
B.A. (Hampton Institute)  
*Field of Specialization: Public Administration*
- Valerie Burgett Matusik,  
New Concord  
B.S.Ed. (Baldwin-Wallace College)  
*Field of Specialization: Education*
- Judy Bish May, Worthington  
B.A.Ed. (University of Akron)  
*Field of Specialization: Education*
- Clyde Edward Mayle, Columbus  
B.S.Ed. (Ohio University)  
*Field of Specialization: Education*
- Frederick McCall-Perez,  
Santurce, Puerto Rico  
B.S. (University of Illinois)  
*Field of Specialization: Psychology*
- Janis DeVol McCollim,  
Washington C. H.  
B.M. (Muskingum College)  
*Field of Specialization: Music*
- Lydia Lee McCue, Marion  
B.A. (Fairmont State College)  
*Field of Specialization: Education*
- Claudette McFadden, Baltimore, Md.  
B.A. (Morgan State College)  
*Field of Specialization: Communication*
- Joseph P. McGeown,  
Warminster, Pa.  
B.A. (Saint Charles Borromeo Seminary); M.A. (LaSalle College)  
*Field of Specialization: Education*
- Carolyn Rae McGinnis, Gahanna  
B.S. (Adrian College)  
*Field of Specialization: Physical Education*
- Madeleine Leveille McKivigan,  
Providence, R. I.  
A.B. (Trinity College)  
*Field of Specialization: Psychology*
- Iona Faye McKnight, Shreveport, La.  
B.S. (Southern University and Agricultural and Mechanical College)  
*Field of Specialization: Communication*
- Leanne McLaughlin, Columbus  
B.A.Jour.  
*Field of Specialization: Journalism*
- Miriam Bricker McMichael,  
Columbus  
B.A. (Muskingum College)  
*Field of Specialization: Education*
- Walter Louis McNabb, Worthington  
A.B. (Eastern Kentucky University);  
B.D. (Southern Baptist Theological Seminary)  
*Field of Specialization: Education*
- Rodney Wayne Meadows, Mentor  
B.S.Ed. (Kent State University)  
*Field of Specialization: History*
- Rita Margaret Medaglia, Columbus  
B.S.Ed.  
*Field of Specialization: Education*
- Luis Angel Medina-Torres,  
Rio Piedras, Puerto Rico  
B.B.A. (University of Puerto Rico)  
*Field of Specialization: Economics*
- Nadyne Simpson Meldahl, Granville  
B.S.Ed.  
*Field of Specialization: Education*
- Lauren Ann Meltzer, Shaker Heights  
B.S.Ed. (Indiana University)  
*Field of Specialization: Education*
- Vincent James Mennetti, Mansfield  
B.S.Ed.  
*Field of Specialization: Education*
- Samia Mohamed Metwali,  
Cairo, Egypt  
B.Sc. (Ain Shams University)  
*Field of Specialization: Education*
- Sarah Keniston Michael, Columbus  
A.B. (Mount Holyoke College)  
*Field of Specialization: Classics*
- Allan Wallace Miller, Youngstown  
B.A.  
*Field of Specialization: Journalism*
- Laura Jane Miller, Beachwood  
B.S. (Case Western Reserve University)  
*Field of Specialization: Education*
- Mary Denney Minister, Columbus  
B.S.Ed. (Ohio University)  
*Field of Specialization: Education*
- Judith Foley Minogue, Columbus  
A.B. (Immaculata College)  
*Field of Specialization: English*
- Karen Sue Minshall, Columbus  
B.S.Ed. (Ohio University)  
*Field of Specialization: Education*
- Madolyn Faith Mitchell, Columbus  
B.S.Ed.  
*Field of Specialization: Education*
- Nils Edward Mockler,  
Altamont, N. Y.  
B.S. (State University of New York College at Oswego)  
*Field of Specialization: Education*
- Jerry Wayne Mooney, Mansfield  
B.S.Ed.  
*Field of Specialization: Education*
- Sister Felicia Mooney, Canton  
B.A. (Notre Dame College)  
*Field of Specialization: Education*
- Barbara Bonar Moore, Columbus  
B.S.Ed. (University of Akron)  
*Field of Specialization: Education*
- Frances Hutchinson Moore,  
Washington C. H.  
B.A. (Marshall University)  
*Field of Specialization: Education*
- Patricia Ann Morgan, Seattle, Wash.  
B.Ed. (Seattle University)  
*Field of Specialization: Education*
- Graciela Leon Moroni,  
Middletown, Conn.  
Doctor En Farmacia y Quimica  
(University of Nicaragua)  
*Field of Specialization: Education*
- Carole Marie Mort, Garfield Heights  
B.S.Ed.  
*Field of Specialization: Education*
- Marilyn McBride Munn,  
Reynoldsburg  
B.S.Ed.  
*Field of Specialization: Education*
- Janice Mae Murray, Camden, N. J.  
B.A. (Trenton State College)  
*Field of Specialization: Education*

- Mary Ann Napoleone, Columbus  
B.Ed. (Duquesne University)  
*Field of Specialization:* English
- Gerald Lynn Narcisi, Shadyside  
B.S.I.T. (Ohio University)  
*Field of Specialization:* Education
- Miriam Elizabeth Nathanson,  
Columbus  
B.A.  
*Field of Specialization:* English
- Steven Charles Nazarak,  
Dix Hills, N. Y.  
B.A. (Denison University)  
*Field of Specialization:* Physical  
Education
- Jeffrey Joseph Nelson, Columbus  
B.S.Ed.  
*Field of Specialization:* Physical  
Education
- Betty Everett Nestor, Columbus  
B.S.Ed.  
*Field of Specialization:* Education
- Shirley Ison Newsome,  
Louisville, Ky.  
B.S.Ed. (Indiana University);  
M.Ed. (University of Louisville)  
*Field of Specialization:* Education
- Laura Ann Nicholl, Columbus  
B.A.  
*Field of Specialization:*  
Communication
- James Ray Oakes, Wooster  
B.S.Ed.  
*Field of Specialization:* Education
- Helen Witty O'Connell, Columbus  
B.A. (Montclair State College)  
*Field of Specialization:* Education
- Barbara Finkle O'Connor, Columbus  
B.A. (Otterbein College)  
*Field of Specialization:* Education
- Carl Richard Odgers, Columbus  
B.Mus.Ed. (Capital University)  
*Field of Specialization:* Education
- Mary Yoakam Ogi, Columbus  
B.S.Ed., B.A.  
*Field of Specialization:* Education
- Jean Mary Ohlsson,  
Harrisonburg, Va.  
B.M.Ed. (Madison College)  
*Field of Specialization:* Music
- Faye Fernandez Olondo, Columbus  
B.A. (University of South Florida)  
*Field of Specialization:* English
- Judy Ann Orsborn, Columbus  
B.S.Ed. (Bowling Green State  
University)  
*Field of Specialization:* Education
- Carol Noel Parker, Circleville  
B.A. (Albion College)  
*Field of Specialization:* Education
- Claire Lucille Parkinson,  
Shelburne, Vt.  
B.A. (Wellesley College)  
*Field of Specialization:* Geography
- Gary Edward Parrin, Oak Brook, Ill.  
A.B. (University of Illinois)  
*Field of Specialization:* Public  
Administration
- Sister Christine Partisano,  
East Syracuse, N. Y.  
B.A. (College of Saint Rose)  
*Field of Specialization:* Education
- Robert Emory Pattison, IV, Columbus  
B.S.Ed.  
*Field of Specialization:* Political  
Science
- Alice Cowan Patton, Columbus  
B.A. (Marshall University)  
*Field of Specialization:* Education
- Martha Underwood Patton,  
Greenwich  
B.S.Ed.  
*Field of Specialization:* Education
- Helen Celia Paul, Minneapolis, Minn.  
B.A. (Hamline University)  
*Field of Specialization:* Psychology
- Vickie Yvonne Peoples,  
Winston-Salem, N. C.  
B.A. (Knoxville College)  
*Field of Specialization:* Psychology
- Phillip Edward Peregrine,  
South Bend, Ind.  
B.S. (Ball State University);  
M.S. (Indiana University)  
*Field of Specialization:* Education
- Luther Gale Perkins, Richwood  
B.S.Ed.  
*Field of Specialization:* Education
- Wendy Wohler Perkins, Columbus  
B.A. (Miami University)  
*Field of Specialization:* Education
- Nicholas John Perrini, Columbus  
B.S.Ed.  
*Field of Specialization:* Music
- Phyllis Lorentz Petty,  
Phillippi, W. Va.  
B.S.Jour. (West Virginia University)  
*Field of Specialization:* Public  
Administration
- Phyllis Ann Pew, Coshocton  
B.S.Ed.  
*Field of Specialization:* Education
- John Frederic Phillips, Piqua  
B.S. (Purdue University); M.C.P.  
*Field of Specialization:* Public  
Administration
- Sue Scott Phillips, Columbus  
B.S.Ed. (Bowling Green State  
University)  
*Field of Specialization:* Education
- Penny Jo Beech Pipes, Columbus  
B.S.Ed.  
*Field of Specialization:* Education
- Nancy Josephine Pitner, Columbus  
B.S.Ed. (Youngstown State  
University)  
*Field of Specialization:* Education
- Jeffrey Joseph Plum, Kingsville, Md.  
A.B. (Boston College)  
*Field of Specialization:* Theatre
- James Marion Polatty, Jr.,  
Clinton, Miss.  
B.A. (University of Mississippi);  
M.C.P.  
*Field of Specialization:* Public  
Administration
- Ronald Leo Porta, Columbus  
B.A. (Ohio Wesleyan University)  
*Field of Specialization:* Education
- Annette Bailey Price, Columbus  
B.A.  
*Field of Specialization:* Education
- Jodi Grimm Price, Columbus  
B.S.Ed. (Ohio University)  
*Field of Specialization:* Education
- Barbara Patricia Principe,  
Bloomfield, N. J.  
A.B. (Boston University)  
*Field of Specialization:* English
- Pamela Halliday Pryor, Columbus  
A.B. (Sweet Briar College)  
*Field of Specialization:* Education
- Steven M. Puckett, Circleville  
B.S.Ed. (Ohio University)  
*Field of Specialization:* Education
- John Philip Pufahl, Columbus  
B.A. (Rio Grande College); M.A.  
(Eastern Kentucky University)  
*Field of Specialization:* Education
- William Mitchell Rados, Columbus  
B.A. (University of Notre Dame)  
*Field of Specialization:* Journalism
- Robert Morgan Ransom, Columbus  
B.S.Ed.  
*Field of Specialization:* Education
- Cinda Mae Rector, Benton Ridge  
B.S.H.Ec. (Ohio University)  
*Field of Specialization:* Education

- Ponzianna Newell Reed, Columbus  
B.A.  
*Field of Specialization:* Education
- Marcia King Reichard, Columbus  
B.A. (College of Wooster)  
*Field of Specialization:* Education
- Alvena Rhea, Grove City  
B.S.Ed.  
*Field of Specialization:* Education
- Barbara Snyder Rice, Columbus  
B.A. (Case Western Reserve University)  
*Field of Specialization:* Education
- Rhonda Jean Richardson, Columbus  
B.S.Ed.  
*Field of Specialization:* Education
- Elaine Richman, Jackson, Tenn.  
B.S. (University of Tennessee)  
*Field of Specialization:* Education
- Linda Wolfred Rider, West Jefferson  
B.S. (Indiana State University)  
*Field of Specialization:* Education
- Judith Lynn Rinehart, Columbus  
B.A.  
*Field of Specialization:* Art Education
- Laurene Ostrowski Ring, Bloomfield, N. J.  
B.F.A. (Syracuse University)  
*Field of Specialization:* Art Education
- Chris Anne Rodgers, Monroe, La.  
B.A. (Dillard University)  
*Field of Specialization:* Education
- Bruce Nelson Rodman, New Shrewsbury, N. J.  
B.A. (Wittenberg University)  
*Field of Specialization:* Public Administration
- Richard Geon Roman, Pittsville, Md.  
B.S. (Maryland State College)  
*Field of Specialization:* Physical Education
- John Edward Romeo, West Islip, N. Y.  
B.A. (Farfield University)  
*Field of Specialization:* Education
- Daniel Lawrence Rosenfield, Elmont, N. Y.  
B.S.Bus.Adm.  
*Field of Specialization:* Business Administration
- Anita Pesec Ross, Painesville  
B.A.Jour.  
*Field of Specialization:* Journalism
- Jennie Angel Ross, Campbell  
B.S.Ed. (Youngstown University)  
*Field of Specialization:* Education
- James Edward Roth, Columbus  
B.S.Ed.  
*Field of Specialization:* Education
- Patrick Royster, Akron  
B.A. (College of Wooster)  
*Field of Specialization:* Political Science
- Debra Kaimbach Rucker, Columbus  
B.S.Ed.  
*Field of Specialization:* Education
- Cynthia Lynn Russell, Hilliard  
B.S.Ed.  
*Field of Specialization:* Education
- Roger Allan Ruth, Marion  
B.A.  
*Field of Specialization:* Communication
- Daniel Francis Ryan, Columbus  
A.B. (John Carroll University)  
*Field of Specialization:* Education
- Robert Joseph Ryan, Columbus  
B.A.  
*Field of Specialization:* Journalism
- Jeffrey Allen Rycus, Columbus  
B.A., B.A. (Wayne State University)  
*Field of Specialization:* Journalism
- Jean Ellen Ryder, Columbus  
B.Mus.Ed. (Otterbein College)  
*Field of Specialization:* Music
- Douglas Scott Sager, Denver, Pa.  
B.A. (Cornell University)  
*Field of Specialization:* English
- Susan Carol Salita, Highland Park, Ill.  
B.A. (University of Colorado)  
*Field of Specialization:* Education
- Joe Earl Sampson, Grove City  
B.S. (Southern Illinois University)  
*Field of Specialization:* Journalism
- Gloria Tasha-Simone Samuel, Columbus, Ala.  
B.A. (Oakwood College)  
*Field of Specialization:* Education
- Laura Linet Samuels, Cleveland Heights  
A.B. (Washington University)  
*Field of Specialization:* East Asian Languages and Literatures
- Tobie Sigall Sanders, Reynoldsburg  
B.S.Ed.  
*Field of Specialization:* Education
- Marcia Ellen Saper, Lincolnwood, Ill.  
B.A. (Miami University)  
*Field of Specialization:* Education
- Lee Alan Saunders, Cleveland  
A.B. (Ohio University)  
*Field of Specialization:* Political Science
- Elizabeth Hyman Schaeffer, Cincinnati  
B.S.Ed.  
*Field of Specialization:* Education
- Janet Lee Scharer, Columbus  
B.S.Ed.  
*Field of Specialization:* Health Education (Physical Education)
- Laura Jill Schatzley, Dayton  
B.A.  
*Field of Specialization:* Theatre
- Thomas Schinkel, Columbus  
Certificate (Ring Van Rotterdamse Repitoren, Netherlands)  
*Field of Specialization:* Business Administration
- Robert Martin Schlau, Perrysburg  
B.A. (Denison University)  
*Field of Specialization:* Political Science
- Carmen Brosius Schmersahl, Frederick, Md.  
B.A. (Gettysburg College)  
*Field of Specialization:* English
- Glenda Kramer Schreiber, Columbus  
B.S. (Iowa State University of Science and Technology)  
*Field of Specialization:* Education
- Alan Wayne Schroeder, Columbus  
A.B. (Heidelberg College)  
*Field of Specialization:* Education
- Kathleen Fagan Schwarz, Columbus  
B.S.Ed.  
*Field of Specialization:* Education
- Marvin Wayne Scott, Philadelphia, Pa.  
B.S. (East Stroudsburg State College)  
*Field of Specialization:* Physical Education
- Gus Paul Seeger, Bucyrus  
B.S.Ed.  
*Field of Specialization:* Education
- James Joseph Semon, Parma  
B.S.Ed.  
*Field of Specialization:* Physical Education

- Miquel Serra-Raventos, Barcelona, Spain  
Licenciado (University of Barcelona)  
*Field of Specialization*: Communication
- Ethel Hillman Shaffer, Grove City  
B.S.Ed.  
*Field of Specialization*: Education
- Antoinette LaVelle Sharma, Columbus  
B.S.Ed.  
*Field of Specialization*: Education
- Louis Dale Sharp, Columbus  
B.S. (Florida Agricultural and Mechanical University)  
*Field of Specialization*: Education
- Howard Emanuel Shearer, III, Delaware  
B.S. (Youngstown State University)  
*Field of Specialization*: Public Administration
- Kathleen Berg Shearer, Columbus  
B.S.Ed.  
*Field of Specialization*: Education
- June Love Shepherd, Gahanna  
B.S.Ed.  
*Field of Specialization*: Education
- Joel Silverstein, Mt. Vernon, N. Y.  
B.A. (University of Southern California)  
*Field of Specialization*: Political Science
- Carol Gheen Simms, Columbus  
B.S.Ed. (Capital University)  
*Field of Specialization*: Education
- Gussie Mae Simon, Pensacola, Fla.  
B.A. (University of West Florida)  
*Field of Specialization*: Education
- Charlotte Marie Simpson, Columbus  
B.S.Ed. (Miami University)  
*Field of Specialization*: Education
- Robert Morris Singleton, Oberlin  
B.A.  
*Field of Specialization*: Journalism
- Susan Calabria Sitterley, Lancaster  
B.A. (Albion College)  
*Field of Specialization*: Education
- Cheryl Anita Small, Cleveland  
B.S.Ed.  
*Field of Specialization*: Education
- Judith Ann Smilan, Lima  
B.S.Ed.  
*Field of Specialization*: Education
- Candace Janice Smith, Columbus  
B.S. (Manchester College)  
*Field of Specialization*: Education
- Dennis Ariand Smith, Ashville  
B.S.Ed.  
*Field of Specialization*: Education
- Donald Lawrence Smith, Jr., Cleveland  
B.A. (Memphis State University)  
*Field of Specialization*: History of Art
- Julie Corinne Smith, Bloomington, Ind.  
B.S. Music (Indiana University)  
*Field of Specialization*: Black Studies
- Linda Lesesky Smith, Granville  
B.S.Ed. (Ohio University)  
*Field of Specialization*: Education
- Robert Micheal Smith, Lynchburg  
B.A.  
*Field of Specialization*: Public Administration
- Sister Marie Smith, Dayton  
B.S. (Edgecliff College)  
*Field of Specialization*: Education
- Tracey Neal Smith, Dallas, Tex.  
B.A. (University of Texas)  
*Field of Specialization*: Journalism
- Howard Michael Sokolow, Belmar, N. J.  
B.A. (University of Massachusetts)  
*Field of Specialization*: Education
- Janet Irene Sorensen, Park Ridge, Ill.  
B.S. (University of Illinois)  
*Field of Specialization*: Psychology
- Jacqueline Bardell Johnson Spencer, Philadelphia, Pa.  
B.S. (Saint Augustine's College)  
*Field of Specialization*: Physical Education
- Elizabeth Runyon Sproul, Columbus  
B.Mus. (University of Michigan)  
*Field of Specialization*: Music
- David Douglas Stafford, Columbus  
B.S.Ed.  
*Field of Specialization*: Education
- Jill Ann Steinberg, Huntingdon Valley, Pa.  
A.B. (Boston University)  
*Field of Specialization*: Psychology
- John Earl Stetzinger, Portsmouth  
B.Sc. (Saint Benedict's College)  
*Field of Specialization*: Political Science
- Martie Lynn Warner Stith, Columbus  
B.S.Ed. (University of Dayton)  
*Field of Specialization*: Education
- Sandra Karol Stocking, Columbus  
B.A. (University of South Florida)  
*Field of Specialization*: Education
- Sharon Maynard Stone, Newark  
B.S.Ed. (West Virginia State College)  
*Field of Specialization*: Education
- Roger Joseph Strasswimmer, Columbus  
B.S. (Manhattan College)  
*Field of Specialization*: Education
- Julia Wood Strawn, Mansfield  
B.S.Ed. (Ohio Northern University)  
*Field of Specialization*: Education
- Nancy Palmer Stump, Columbus  
B.A.  
*Field of Specialization*: Communication
- Dean Edward Swanson, St. Paul, Minn.  
B.A. (University of Minnesota)  
*Field of Specialization*: Political Science
- David Robert Swindler, Wilmington  
B.Mus. Ed.  
*Field of Specialization*: Music
- Maura Joan Taaffe, Columbus  
B.A. (Ohio Dominican College)  
*Field of Specialization*: English
- Donna Louise Talbott, Columbus  
B.S.Ed.  
*Field of Specialization*: Political Science
- Nancy Tankelson, Baltimore, Md.  
B.A. (University of Maryland)  
*Field of Specialization*: Education
- Stephen Bernard Tankovich, Columbus  
B.S.  
*Field of Specialization*: Education
- Deborah Lynn Thompson, Nashville, Tenn.  
B.S. (Tennessee Agricultural and Industrial State University)  
*Field of Specialization*: Education
- Louise Latty Thompson, Columbus  
B.S. (Castleton State College)  
*Field of Specialization*: Education
- Karen Jean Toepfer, Columbus  
B.A. (Sacramento State College)  
*Field of Specialization*: Dance
- Lynne Holderman Tucker, Columbus  
B.S.Ed. (Ohio University)  
*Field of Specialization*: Education
- Douglas Mark Underwood, Cincinnati  
B.A. (Pomona College)  
*Field of Specialization*: Journalism

- Alexander Georg Urfer,  
Weehawken, N. J.  
B.A. (Montclair State College)  
*Field of Specialization*: Physical  
Education
- Donna Lynn VanOverloop,  
Kalamazoo, Mich.  
B.A. (Calvin College)  
*Field of Specialization*: Psychology
- Cynthia Veronica Vaughan,  
Ahoskie, N. C.  
A.B. (Winston-Salem State College)  
*Field of Specialization*: Public  
Administration
- Linda Ann Vecchione, Steubenville  
B.S. (Duquesne University)  
*Field of Specialization*: Education
- David Michael Wagner, Columbus  
B.S.Ed.  
*Field of Specialization*: Education
- Suzanne Mary Walfoort,  
Milwaukee, Wis.  
B.S. (University of Wisconsin)  
*Field of Specialization*:  
Communication
- Doris Jean Walker, Lexington, Ky.  
B.A. (Kentucky State College)  
*Field of Specialization*: Education
- Marcus Randall Walker,  
Baton Rouge, La.  
B.S. (Louisiana State University)  
*Field of Specialization*: Psychology
- Ruth Lykins Wallen, Shelby  
B.S.Ed. (Ashland College)  
*Field of Specialization*: Education
- Karen Sue Walser, Zanesville  
B.A. (Muskingum College)  
*Field of Specialization*: Education
- Karol Brown Warden, Columbus  
B.S.Ed.  
*Field of Specialization*: Physical  
Education
- Ralph Wise Warren, Sparta, Ga.  
B.A. (Morris Brown College)  
*Field of Specialization*: Education
- Margaret Susan Warrick, Fairborn  
B.Mus.Ed.  
*Field of Specialization*: Education
- Judith Ann Wasserman, Lucasville  
B.S.Ed. (Eastern Kentucky  
University)  
*Field of Specialization*: Education
- Warren Keith Weaver, Columbus  
B.A.  
*Field of Specialization*: Black Studies
- Terril Miles Weber, Columbus  
B.S.Ed.  
*Field of Specialization*: Education
- Marcena Moses Webster, Columbus  
A.B. (Morehead State University)  
*Field of Specialization*: Education
- Patricia Turner Wöhner, Carroll  
B.A.Ed. (University of Florida)  
*Field of Specialization*: Education
- Beverly Zahn Weiman, Granville  
B.S.Bus. Adm.  
*Field of Specialization*: Business  
Administration
- Carol Ann Weiss, Brecksville  
B.A. (Saint Mary's College,  
Indiana)  
*Field of Specialization*: Journalism
- Therese Frentsos Welch,  
Reynoldsburg  
B.S.Ed.  
*Field of Specialization*: Education
- Lawrence Vernon Wells, Dayton  
B.S.Ed. (Central State College)  
*Field of Specialization*: Education
- Sharon Kay Westbrook, Munster, Ind.  
B.A. (Purdue University)  
*Field of Specialization*: Education
- Stephen Dahl Westbrook,  
Chesterton, Ind.  
B.S. (United States Military  
Academy)  
*Field of Specialization*: Political  
Science
- Gregory Kent West, Columbus  
B.A.  
*Field of Specialization*: Classics
- Janet Smith Westbrook,  
Franklin, Mich.  
B.A. (Michigan State University)  
*Field of Specialization*: Education
- Robert Halliday Westermann,  
Maywood, N. J.  
B.S. (Trenton State College)  
*Field of Specialization*: Physical  
Education
- Sally Anne Wheeler, Columbus  
B.S.Ed.  
*Field of Specialization*: Education
- Theodore Douglas Whisler, Mansfield  
B.S.Ed.  
*Field of Specialization*: Education
- Melvin White, Jackson, Miss.  
B.A. (Tougaloo College)  
*Field of Specialization*: Music
- Michael Reed White, Columbus  
B.S.Ed.  
*Field of Specialization*: Public  
Administration
- Timothy Aubert Wilbers, Wyoming  
B.Art Ed.  
*Field of Specialization*: Art  
Education
- Ted Earsley Wilkinson, Columbus  
B.S.Ed.  
*Field of Specialization*: Education
- Katherine Wahrer Williams,  
Wapakoneta  
B.S.J. (Ohio University)  
*Field of Specialization*: Journalism
- Lorita Ann Cosner Winkates,  
Westerville  
B.A. (Beloit College)  
*Field of Specialization*: Education
- Harold B. Winn, Jr., Salem  
B.A. (Malone College)  
*Field of Specialization*: Education
- Gwendolyn Jones Winnard, Columbus  
B.Art Ed.  
*Field of Specialization*: Education
- Carol Jean Winters, Chicago, Ill.  
B.A. (Elmhurst College)  
*Field of Specialization*: Psychology
- Nancy Rogers Wolfe, Worthington  
B.Mus.Ed. (Madison College)  
*Field of Specialization*: Music
- Donna Knapp Wolford, Reynoldsburg  
B.A. (Marshall University)  
*Field of Specialization*: Education
- Alfonzo Allen Woodford, Columbus  
B.S.Ed.  
*Field of Specialization*: Education
- Brenda Lynn Woodruff, Columbus  
B.S.Ed.  
*Field of Specialization*: Education
- Joseph James Yanta, St. Paul, Minn.  
B.A. (College of Saint Thomas)  
*Field of Specialization*: English
- Jayne Marie Yantz, Brockport, N. Y.  
B.A. (University of Rochester)  
*Field of Specialization*: History of  
Art
- Nancy Wert Zastudil, Columbus  
B.A. (Capital University)  
*Field of Specialization*: Education
- Brian Benedict Zax,  
Sherman Oaks, Calif.  
B.A. (University of California,  
Los Angeles)  
*Field of Specialization*: Psychology



Edna Smith Zech, Croton  
A.B. (Otterbein College); B.D.  
(United Theological Seminary)  
*Field of Specialization*: Education

Patricia Real Zeman, Columbus  
A.B. (Saint Louis University)  
*Field of Specialization*: Education

Sandra Wutzler Zollett, Columbus  
B.A.  
*Field of Specialization*: Journalism

Bonnie Jill Zucker, Mayfield Heights  
B.A. (Miami University)  
*Field of Specialization*: English

Kenny Ray Zuercher, Dalton  
B.A. (Muskingum College)  
*Field of Specialization*: Journalism

Jeffrey Donald Zupp, Bellefontaine  
B.S.Ed.  
*Field of Specialization*: Education

#### **Master of Business Administration**

Twenty-eight candidates

Richard Anthony Baumer, Jr.,  
Columbus  
B.S.Bus.Ad., M.A.  
*Field of Specialization*: Business  
Administration

Amar K. Bharadwaj, Cleveland  
B. Tech. (Indian Institute of  
Technology, India); M.S. (Case  
Western Reserve University)  
*Field of Specialization*: Business  
Administration

Jack Edward Brucker, Masury  
B.S. in B.A. (Youngstown State  
University)  
*Field of Specialization*: Business  
Administration

Kar-wai Chan,  
North Point, Hong Kong  
B.S.Bus.Ad., (Ohio University)  
*Field of Specialization*: Business  
Administration

Robert Joseph Craig, Fairfield  
B.S. (Pennsylvania State University)  
*Field of Specialization*: Business  
Administration

Clayton Carl Daley, Jr., Columbus  
A.B. (Davidson College)  
*Field of Specialization*: Business  
Administration

Orin Andrew Durham, Jr., Sayre, Pa.  
B.S. (United States Military  
Academy)  
*Field of Specialization*: Business  
Administration

James Berry Ford, Youngstown  
B.S. (Case Institute of Technology);  
M.S.  
*Field of Specialization*: Business  
Administration

Robert Leedy Freeburn, II,  
Westerville  
B.S. (Juniata College)  
*Field of Specialization*: Business  
Administration

Donald Charles Glavan, Columbus  
B.S.  
*Field of Specialization*: Business  
Administration

John Michael Goller, Columbus  
B.S.Ed.  
*Field of Specialization*: Business  
Administration

Craig Gerald Harms, Columbus  
B.S.Bus.Ad., (Bowling Green State  
University)  
*Field of Specialization*: Business  
Administration

Gregory Philip Harris, Columbus  
B.M.E. (University of Louisville)  
*Field of Specialization*: Business  
Administration

Gene Harvey Heskett, Columbus  
B.S.  
*Field of Specialization*: Business  
Administration

Charlene Kay Holt, Irwin, Pa.  
B.S. (Westminster College)  
*Field of Specialization*: Business  
Administration

Steven Brian Koblentz,  
University Heights  
B.S.Bus.Ad.  
*Field of Specialization*: Business  
Administration

Robert Joseph Kolbe, Elyria  
B.S.E.E. (Ohio University)  
*Field of Specialization*: Business  
Administration

Edward Alan Kozlowski,  
Nauvatomuck, Conn.  
B.Arch. (Ohio University); M.Arch.  
*Field of Specialization*: Business  
Administration

Alan Philip Lawrence, Brecksville  
B.S.Ch.E.  
*Field of Specialization*: Business  
Administration

Robert Lee Lawrence, Columbus  
B.S.  
*Field of Specialization*: Business  
Administration

Matthew Walter Prisby, Venetia, Pa.  
B.S. (Pennsylvania State  
University); M.C.P.  
*Field of Specialization*: Business  
Administration

Thomas Allen Roberts, Radnor  
B.S.E.E. (University of Notre Dame)  
*Field of Specialization*: Business  
Administration

Paul David Shields, Lima  
B.A.  
*Field of Specialization*: Business  
Administration

Glenn Richard Smith, Elyria  
B.S.Bus.Ad.  
*Field of Specialization*: Business  
Administration

John Eldridge Stinson, Hillsboro  
B.S.Bus.Ad.  
*Field of Specialization*: Business  
Administration

Naoto Suzuki, Hekinan Aichi, Japan  
B.A. (Keio University)  
*Field of Specialization*: Business  
Administration

Melissa Jane Ulrey,  
Parkerburg, W. Va.  
A.B. (West Virginia University)  
*Field of Specialization*: Business  
Administration

Edward Albert Wilson,  
Hopkinsville, Ky.  
B.S.Bus.Ad.  
*Field of Specialization*: Business  
Administration

#### **Master of City Planning**

Seven candidates

Steven Carl Husemann, Cincinnati  
B.S.Bus.Ad., M.A.  
*Field of Specialization*: City and  
Regional Planning

Raymond Glen Kerr, Hollywood, Fla.  
B.A. (Florida State University)  
*Field of Specialization*: City and  
Regional Planning

Robert Thomas Lane, Columbus  
B.A.  
*Field of Specialization*: City and  
Regional Planning

Mary DeHaven Myers,  
Doylestown, Pa.  
A.B. (Rutgers—The State  
University)  
*Field of Specialization*: City and  
Regional Planning

Joseph Arthur Rainwater,  
Silver Spring, Md.  
R.E.D.inArch. (North Carolina State  
University, Raleigh); M.Arch.  
*Field of Specialization*: City and  
Regional Planning

Martin Henry Vogtsberger, Columbus  
B.A. (Miami University)  
*Field of Specialization:* City and  
Regional Planning

John Weir Widmer, Luckey  
B.A. (Bowling Green State  
University)  
*Field of Specialization:* City and  
Regional Planning

#### Master of Fine Arts

##### Eight candidates

David Newton Cox, San Jose, Calif.  
A.B., M.A. (San Jose State College)  
*Field of Specialization:* Art

Craig Alan Dennis, Ann Arbor, Mich.  
B.F.A. (University of Michigan)  
*Field of Specialization:* Art

Susan Eder Dennis, St. Louis, Mo.  
B.F.A. (University of Michigan)  
*Field of Specialization:* Art

Kathryn Christine Dixon, Westerville  
B.F.A.  
*Field of Specialization:* Art

Lee Porter Garrett, Columbus  
B.F.A.  
*Field of Specialization:* Art

Patricia Ann Herman, Columbus  
B.F.A.  
*Field of Specialization:* Art

David Edward Patrick, Columbus  
B.A.  
*Field of Specialization:* Theatre

Peter Joseph Sowiski, Pittsburgh, Pa.  
A.B. (Oberlin College)  
*Field of Specialization:* Art

#### Master of Music

##### Eight candidates

Richard LeRoy Bauer, Moscow, Id.  
B.Mus. (University of Idaho)  
*Field of Specialization:* Music

Mary Ann Crain, Coral Springs, Fla.  
B.Mus.Ed. (Florida State University)  
*Field of Specialization:* Music

Patricia Lynn Humpe, Steubenville  
B.Mus. (West Liberty State College)  
*Field of Specialization:* Music

John Charles Kepperley,  
North Olmsted  
B.F.A. (Ohio University)  
*Field of Specialization:* Music

Steven Patrick Monroe, Columbus  
B.Mus.  
*Field of Specialization:* Music

Teresa Marie Rhoderick,  
Middletown, Md.  
B.Mus. (Susquehanna University)  
*Field of Specialization:* Music

Vincent James Sidoti, Brook Park  
B.M. (Cleveland Institute of Music)  
*Field of Specialization:* Music

Dennis Richard Walters, Lima  
B.S.Ed.  
*Field of Specialization:* Music

#### Master of Science

##### Two hundred and thirty-six candidates

Julia Blandford Age, Lebanon, Ky.  
B.A. (Brescia College)  
*Field of Specialization:* Mathematics

Gary Lee Albitz, Lakewood, Calif.  
B.A. (University of California,  
Los Angeles)

*Field of Specialization:* Computer  
and Information Science

Roger Dale Alderman, Windsor  
B.S.Agr.  
*Field of Specialization:* Natural  
Resources

John Henry Aldrich, Columbus  
B.S.Agr.  
*Field of Specialization:* Agricultural  
Education

David Max Anglen, Villa Grove, Ill.  
B.S. (University of Illinois)  
*Field of Specialization:* Preventive  
Medicine

Constance Georgiou Aveni, Columbus  
A.B. (University of Michigan)  
*Field of Specialization:* Home  
Economics

Salvador Badui, Mexico, Mexico  
Ingeniero Quimico (National  
University of Mexico)  
*Field of Specialization:* Food Science  
and Nutrition

Arthur Gerard Bahl, Pittsburgh, Pa.  
B.S. (Carnegie-Mellon University)  
*Field of Specialization:* Chemistry

Richard Edgar Bailey, Columbus  
B.S.E.E.  
*Field of Specialization:* Electrical  
Engineering

Jagdip Singh Balan,  
Naraingarh, India  
B.S., M.S. (Panjab University)  
*Field of Specialization:* Entomology

Charles Edward Bauer,  
Hillsboro, Ore.  
B.S. (Stanford University)  
*Field of Specialization:* Metallurgical  
Engineering

Joan Myhre Baumgardner, Delphos  
B.S. Nurs.  
*Field of Specialization:* Nursing

Eugene Thomas Beasley, Jr.,  
Huntsville, Ala.  
B.E.P. (Auburn University); M.A.  
(University of Alabama)  
*Field of Specialization:* Computer  
and Information Science

Dennis Eugene Beis, Columbus  
B.S.Ed.  
*Field of Specialization:* Natural  
Resources

Ronald Lane Bell, LaPorte, Ind.  
B.S.Agr. (Purdue University)  
*Field of Specialization:* Zoology

Peter Berkenkotter, Davis, Calif.  
B.A. (Reed College); M.S.  
(Sacramento State College)  
*Field of Specialization:* Chemistry

John Francis Beucler, Mineral City  
B.S.Agr.  
*Field of Specialization:* Agricultural  
Economics and Rural Sociology

Elizabeth Bricker Bokelman,  
Columbus  
B.S.Nurs.  
*Field of Specialization:* Nursing

John David Bonagura, Clifton, N. J.  
B.S.Agr., D.V.M.  
*Field of Specialization:* Veterinary  
Physiology/Pharmacology

Jimmie Lee Brandt, Oxford  
B.S.Agr.  
*Field of Specialization:* Agricultural  
Education

Nancy Mumma Bravo,  
Oakland, Calif.  
B.A. (Antioch College)  
*Field of Specialization:* Preventive  
Medicine

David Lee Brown, Independence, Mo.  
B.S. (University of Missouri at  
Kansas City)  
*Field of Specialization:* Physics

Lyle Gene Bruce, Ashland  
B.S. (Ashland College)  
*Field of Specialization:* Geology and  
Mineralogy

- Robert Allen Burns, Columbus  
D.D.S.  
*Field of Specialization:* Pathology
- Donald James Campbell, Dayton  
B.S. (Ohio Northern University)  
*Field of Specialization:* Mechanical Engineering
- Mo-chee Chan, Kowloon, Hong Kong  
B.Sc. (New Asia College)  
*Field of Specialization:* Horticulture
- Huey-ying Chi, Taipei, Taiwan  
B.S.Agr. (National Taiwan University)  
*Field of Specialization:* Horticulture
- Lewis Joel Claman, Columbus  
B.S. (City College of New York);  
D.D.S. (New York University)  
*Field of Specialization:* Dentistry
- Douglas Bernard Clark, Solon  
B.S.  
*Field of Specialization:* Geology and Mineralogy
- Maria Regina Coccia, Columbus  
B.A., M.A.  
*Field of Specialization:* Anatomy
- David Cohen, Haifa, Israel  
B.Sc., M.Sc. (Technion Institute of Technology)  
*Field of Specialization:* Computer and Information Science
- Karen Lynn Cohen, Columbus  
B.S.Ed.  
*Field of Specialization:* Computer and Information Science
- Richard Jeff Cole, Painesville  
B.S.M.E.  
*Field of Specialization:* Mechanical Engineering
- Robert Webster Core, Bellefontaine  
B.S.Agr.  
*Field of Specialization:* Agricultural Education
- Tully Robinson Cornick, V,  
Long Beach, N. Y.  
A.B. (University of California, Berkeley)  
*Field of Specialization:* Agricultural Economics and Rural Sociology
- Carmen L. Cummins, Eaton  
B.S.Agr.  
*Field of Specialization:* Agricultural Education
- John Keith Daniel, Bellevue  
B.S. (Bowling Green State University)  
*Field of Specialization:* Chemistry
- Philip Berry Davis, Symsonia, Ky.  
B.S. (Letourneau College)  
*Field of Specialization:* Welding Engineering
- Thomas Alan Dawson, Prospect  
B.S.Agr.  
*Field of Specialization:* Agricultural Education
- Nancy DeLuca, Howard Beach, N. Y.  
B.A. (Queens College)  
*Field of Specialization:* Chemistry
- Pamela Beaver D'huyvetter, Sunbury  
B.S.Ed.  
*Field of Specialization:* Preventive Medicine
- Raquel Diaz-Ramirez,  
New York, N. Y.  
B.Pharm. (National University of Trujillo, Peru)  
*Field of Specialization:* Microbiology
- Donald Dean Dilgard, Ashland  
B.S.Agr.  
*Field of Specialization:* Agricultural Education
- Charles Freeman Divelbiss,  
Worthington  
B.S.Ed.  
*Field of Specialization:* Natural Resources
- Rita Ann Dolberry, Norfolk, Va.  
B.S. (Virginia State College)  
*Field of Specialization:* Home Economics
- Marshall Bruce Donaldson,  
Pemberville  
B.S. (Bowling Green State University)  
*Field of Specialization:* Mathematics
- Robert James Doremus,  
Upper Montclair, N. J.  
B.S.Agr.  
*Field of Specialization:* Animal Science
- Sister Delia Mary Dowling,  
Cumberland, Md.  
A.B. (College of Notre Dame of Maryland)  
*Field of Specialization:* Mathematics
- Karen Rand Dries, New Orleans, La.  
B.S. (Louisiana State University and Agricultural and Mechanical College); M.S.  
*Field of Specialization:* Statistics
- James Arthur Dudley, South Point  
B.E.S. (Marshall University)  
*Field of Specialization:* Mechanical Engineering
- Mary Helen Brown Eccard, Gahanna  
B.S. in Nurs. (Capital University)  
*Field of Specialization:* Nursing
- Mary Ruth Elliott, Columbus  
B.S.Ed. (Ohio University)  
*Field of Specialization:* Home Economics
- Gregory Eugene Evans, Columbus  
B.S.C.E.  
*Field of Specialization:* Civil Engineering
- James Michael Feil, Columbus  
B.W.E.  
*Field of Specialization:* Welding Engineering
- Gonzalo Fernandez-de la Mora,  
Madrid, Spain  
Licenciatura (Universidad de Madrid)  
*Field of Specialization:* Electrical Engineering
- James David Fleshman, Columbus  
B.S.Ch.E.  
*Field of Specialization:* Chemical Engineering
- Judith Ball Fountain, Berea  
B.S.H.E.  
*Field of Specialization:* Home Economics
- Daniel Ponga Fungbahun,  
Yonibana, Sierra Leone  
B.Sc. (University of Sierra Leone)  
*Field of Specialization:* Agricultural Education
- Edward George Gabriel, Columbus  
B.A., M.S. (Alfred University)  
*Field of Specialization:* Genetics
- Kevin Gallagher, Roselle Park, N. J.  
B.S. (Manhattan College)  
*Field of Specialization:* Mathematics
- Anthony Charles Gerhardstein,  
Fort Thomas, Ky.  
A.B. (Thomas More College)  
*Field of Specialization:* Physics
- Gerald Leo Gerker, Lima  
B.S.Agr.E.  
*Field of Specialization:* Mechanical Engineering
- Virginia Ann Gibbs, Rocky River  
B.S. (Purdue University)  
*Field of Specialization:* Microbiology
- Richard Joseph Gladon, Columbus  
B.S. (Ohio Northern University)  
*Field of Specialization:* Horticulture
- \*John Francis Gloz, Butler, Pa.  
B.Met.E. (Rensselaer Polytechnic Institute)  
*Field of Specialization:* Metallurgical Engineering
- \* Degree Awarded Posthumously,  
Died June 26, 1974

- Husnu Yusuf Gokalp, Sivas, Turkey  
Bachelor (Ataturk University)  
*Field of Specialization*: Animal Science
- Joyce Lee Greetham, Lima  
B.S. (Miami University)  
*Field of Specialization*: Home Economics
- John Paul Gruber, Mount Gilead  
B.S.Agr.  
*Field of Specialization*: Agricultural Economics and Rural Sociology
- Rosa Lea Guardalabene, Chili, Wis.  
B.S. (Carroll College)  
*Field of Specialization*: Computer and Information Science
- Sister Frances Teresa Guldborg, Mountain View, Calif.  
B.S. (Saint Mary's College, Indiana)  
*Field of Specialization*: Mathematics
- Norma Mary Gurklis, Columbus  
B.S.N.E. (Catholic University of America)  
*Field of Specialization*: Nursing
- Franklin Edward Gurnee, Midland, Mich.  
B.A. (Oakland University)  
*Field of Specialization*: Mathematics
- Richard Frank Gustafson, Jr., Mentor  
B.S.Agr.  
*Field of Specialization*: Agricultural Education
- William Michael Gutman, Lima  
B.S. (University of Toledo)  
*Field of Specialization*: Physics
- Charlotte Gyllenhaal, Bay Village  
B.S.Ed., B.S.Agr.  
*Field of Specialization*: Environmental Biology
- Diane Sue Harry, Columbus  
B.A. (Miami University)  
*Field of Specialization*: Statistics
- Kay Massman Helman, Columbus  
B.S.Soc.Wel.  
*Field of Specialization*: Home Economics
- Stephen Kornel Hetey, Akron  
B.S., B.S.Pharm.  
*Field of Specialization*: Pharmacy
- Rosa Tomie Higaki, Campinas, Brazil  
B.A.E. (Universidade Rural Estado Minas Gerais)  
*Field of Specialization*: Home Economics
- George Webb Hill, Columbus  
B.S.Agr. (Colorado State University)  
*Field of Specialization*: Agricultural Economics and Rural Sociology
- James Orville Houghton, Strawn, Tex.  
B.A. (Union College);  
M.D. (Loma Linda University)  
*Field of Specialization*: Preventive Medicine
- Drew David Howard, Kingfield, Me.  
B.S. (Keene State College)  
*Field of Specialization*: Animal Science
- Mon-Son Hsu, Taipei, Taiwan  
B.S.E. (Taiwan Cheng Kung University)  
*Field of Specialization*: Civil Engineering
- Mariana Douglas Hubbard, Wellsburg, W. Va.  
B.S.Agr.  
*Field of Specialization*: Animal Science
- Louella Marie Hull, Quantico, Md.  
B.S. (University of Maryland)  
*Field of Specialization*: Home Economics
- Michael Edward Hummell, Girard  
B.S. (Youngstown University)  
*Field of Specialization*: Mathematics
- Mohammed Idris, Hyderabad, India  
B.E. (Osmania University)  
*Field of Specialization*: Industrial and Systems Engineering
- Charles Edward James, Surrency, Ga.  
B.S. (Fort Valley State College)  
*Field of Specialization*: Agricultural Education
- Kenneth Alan Javor, Lorain  
B.S.E.E.  
*Field of Specialization*: Nuclear Engineering
- Janet Gibbons Jerge, Gahanna  
B.S.Nurs.  
*Field of Specialization*: Nursing
- Robert Michael Kantner, Toledo  
B.A. (University of Toledo)  
*Field of Specialization*: Allied Medical Professions
- Gerald John Kaufman, Jr., Broadview Heights  
B.S.E.E.  
*Field of Specialization*: Electrical Engineering
- Marilyn Pierce Kearns, Columbus  
B.S.Nurs. (Capital University)  
*Field of Specialization*: Nursing
- Ralph Gene Kester, Grove City  
B.S. (Virginia Polytechnic Institute)  
*Field of Specialization*: Ceramic Engineering
- James Anthony King, Columbus  
B.S.E.E. (University of Wisconsin)  
*Field of Specialization*: Electrical Engineering
- Mary Ann Schroeder King, Dalton  
B.S.Nurs. (University of Akron)  
*Field of Specialization*: Nursing
- Tobi Kay Kipp, Mansfield  
B.S.Ed. (Miami University)  
*Field of Specialization*: Natural Resources
- R. Lawrence Koehl, Columbus  
B.I.E.  
*Field of Specialization*: Industrial and Systems Engineering
- John Richard Koenig, Vestavia Hills, Ala.  
B.S. (Rutgers—The State University)  
*Field of Specialization*: Ceramic Engineering
- Joseph Francis Koenigs, Columbus  
B.S. (Northern Arizona University);  
D.D.S. (Saint Louis University)  
*Field of Specialization*: Dentistry
- Rock Ho Lee, Seoul, Korea  
B.S.Agr., M.S.Agr. (Seoul National University)  
*Field of Specialization*: Food Science and Nutrition
- Ginn Wing Lee, Columbus  
B.S.E.P.  
*Field of Specialization*: Mechanical Engineering
- Harvey Shui-Hong Lee, Woodside, N. Y.  
B.S.M.E. (Newark College of Engineering)  
*Field of Specialization*: Mechanical Engineering
- Virginia Lee, Fishkill, N. Y.  
B.A. (State University of New York College at Oneonta)  
*Field of Specialization*: Statistics
- Yong Jae Lee, Chicago, Ill.  
B.S.E. (Seoul National University, Korea)  
*Field of Specialization*: Industrial and Systems Engineering
- Alfred Leick, U Prum, Germany  
Eng.Cert., Diplom Ingenieur (Technical University of Munich)  
*Field of Specialization*: Geodetic Science
- Barbara Ann Leslie, Murrysville, Pa.  
A.B. (Grinnell College)  
*Field of Specialization*: Microbiology
- Lorraine Calvo Lewis, Columbus  
B.S. in Med.Diet.  
*Field of Specialization*: Allied Medical Professions

- David H. Linnenkohl, Dayton  
B.A. (Kenyon College)  
*Field of Specialization:* Computer and Information Science
- Robert Lee Lloyd, Columbus  
B.S.C.E.  
*Field of Specialization:* Civil Engineering
- William Loh, Willingboro, N. J.  
B.S. (University of Washington)  
*Field of Specialization:* Chemistry
- Glen Carl Long, Jr., Carmel, Calif.  
B.S. (Carnegie-Mellon University)  
*Field of Specialization:* Electrical Engineering
- Lawrence Charles Long,  
Fair Oaks, Calif.  
B.S. (University of California, Davis)  
*Field of Specialization:* Physiological Chemistry
- Wayne Roscoe Longbrake, Cambridge  
B.S.Agr.  
*Field of Specialization:* Agricultural Education
- Donald Grant Lorentz, Columbus  
B.S.Ch.E.  
*Field of Specialization:* Nuclear Engineering
- David Saul Loshin, Columbus  
B.S. (Rochester Institute of Technology)  
*Field of Specialization:* Physiological Optics
- Robert Merrill Loyd, Mt. Vernon  
B.S.  
*Field of Specialization:* Zoology
- James Thomas Maier, Massillon  
B.S.Al.Hth.Prof.  
*Field of Specialization:* Allied Medical Professions
- Richard Keith Mains, Canton  
B.S.E.E.  
*Field of Specialization:* Electrical Engineering
- James Mar, Columbus  
B.S. (Case Western Reserve University)  
*Field of Specialization:* Computer and Information Science
- Robert MacGregor Martin, Columbus  
B.A. (Denison University)  
*Field of Specialization:* Natural Resources
- Margaret Mary Martinsek, Cleveland  
B.A. (Cleveland State University)  
*Field of Specialization:* Mathematics
- Candace Martinson, Lodi  
B.S.  
*Field of Specialization:* Entomology
- Mary Louise Marvel, Anderson, Ind.  
B.S. (Ball State University)  
*Field of Specialization:* Computer and Information Science
- David Earnest Mayer, Zanesville  
B.S.Agr.  
*Field of Specialization:* Agricultural Education
- Steven Kenneth McCullough, Pandora  
B.A. (University of Toledo)  
*Field of Specialization:* Physiological Chemistry
- Edith Pryor McDaniel, Columbus  
B.S.Nurs.  
*Field of Specialization:* Nursing
- Neil Michael McEvoy, Dublin, Ireland  
B.E. (University College)  
*Field of Specialization:* Electrical Engineering
- George Walter Mellors,  
Ho-Ho-Kus, N. J.  
B.S. (Colorado School of Mines)  
*Field of Specialization:* Industrial and Systems Engineering
- Karen Jean Menders,  
Springfield, Mass.  
B.S. (Saint Lawrence University)  
*Field of Specialization:* Entomology
- Weldon Eugene Milbourne,  
Westover, Md.  
B.S. (University of Maryland)  
*Field of Specialization:* Agricultural Education
- Larry Steven Miller, Clyde  
B.S.  
*Field of Specialization:* Microbiology
- Laurel Smucker Miller, Columbus  
B.S.Ed.  
*Field of Specialization:* Natural Resources
- Lawrence Miller, Toledo  
B.S.Bus.Adm.  
*Field of Specialization:* Computer and Information Science
- Brian L. Moentenich, Portland, Ore.  
B.S. (Portland State College)  
*Field of Specialization:* Mechanical Engineering
- Mark Peters Monsarrat, Columbus  
B.S.M.E.  
*Field of Specialization:* Mechanical Engineering
- Marilyn McLean Moore, Columbus  
B.S. (North Carolina Agricultural and Technical State University)  
*Field of Specialization:* Agricultural Economics and Rural Sociology
- Victor Stephen Moore, Findlay  
B.S.  
*Field of Specialization:* Microbiology
- Joseph Michael Morbitzer, Columbus  
B.S.C.E.  
*Field of Specialization:* Civil Engineering
- Catherine Estelle Morstatter, Akron  
B.S.E.E.  
*Field of Specialization:* Physiology
- Soheir Tewfik Mostafa, Columbus  
B.Sc. (Ain-Shams University, Egypt)  
*Field of Specialization:* Physics
- Gregory Lee Mountz, Columbus  
B.S.Agr.  
*Field of Specialization:* Natural Resources
- Carlos Alberto Müller,  
Rio de Janeiro, Brazil  
B.C.E. (Federal University of Rio de Janeiro)  
*Field of Specialization:* Civil Engineering
- Larry Charles Munn, Grafton  
B.S.Agr.  
*Field of Specialization:* Natural Resources
- Karl Fredrick Myers, Dalton  
B.S.Agr.E.  
*Field of Specialization:* Agricultural Engineering
- Carlos Alberto Nolasco,  
Rio de Janeiro, Brazil  
Diploma (Universidade Federal Fluminense); M.S.  
*Field of Specialization:* Welding Engineering
- Nancy Kohli Nordstrom, Columbus  
B.S.Ed.  
*Field of Specialization:* Allied Medical Professions
- Lincoln Ting-Ken Nyeu,  
Taipei, Taiwan  
B.S. (Tunghai University)  
*Field of Specialization:* Chemistry
- Garland Sinclair Oates, Jr.,  
Fayetteville, N. C.  
B.A.A.E.  
*Field of Specialization:* Aeronautical and Astronautical Engineering
- Jean Carol Osborn, Wenham, Mass.  
A.B. (Cornell University)  
*Field of Specialization:* Computer and Information Science
- Joseph Robert Overholt,  
Fredericktown  
B.S.Agr.  
*Field of Specialization:* Agronomy

Ginny Ann Paine, East Fultonham  
 B.A. (Otterbein College)  
*Field of Specialization*: Home  
 Economics

Gary Joseph Palatas, Columbus  
 B.C.E. (University of Dayton)  
*Field of Specialization*: Civil  
 Engineering

John Julius Palazzo, Columbus  
 B.S.Al.Hth.Prof.  
*Field of Specialization*: Allied Medical  
 Professions

Michael C. Paiko, Parma  
 B.S. (John Carroll University)  
*Field of Specialization*: Zoology

Dennis Allen Palombo, Columbus  
 B.S. (Bowling Green State  
 University)  
*Field of Specialization*: Geology and  
 Mineralogy

Roger Lee Patterson, Lockbourne  
 A.B. (Dartmouth College)  
*Field of Specialization*: Mathematics

William McClinton Patterson,  
 Greenville, S. C.  
 B.A.  
*Field of Specialization*: Agricultural  
 Economics and Rural Sociology

Michael James Pederson, Dayton  
 B.S.Ch.E. (University of North  
 Dakota)  
*Field of Specialization*: Chemical  
 Engineering

D'Wight Quintelle Peirson, Jr.,  
 Christiansburg  
 B.S. (Urbana College)  
*Field of Specialization*: Plant  
 Pathology

Cheryl Ann Peters, Stow  
 B.S. (Kent State University)  
*Field of Specialization*: Home  
 Economics

Steven John Phillips, Streamwood, Ill.  
 B.A. (Knox College)  
*Field of Specialization*: Microbiology

Willard Thomas Pollard, Columbus  
 B.S. (Kent State University)  
*Field of Specialization*: Allied Medical  
 Professions

David Franklin Pritchard, Circleville  
 B.C.E.  
*Field of Specialization*: Civil  
 Engineering

John Clement Procaro, Columbus  
 B.S.E.E.  
*Field of Specialization*: Electrical  
 Engineering

Donald Emil Puccini, Oaklind, Calif.  
 B.S. in Geol. (University of Notre  
 Dame)  
*Field of Specialization*: Geodetic  
 Science

Chariyaporn Punyanitya,  
 Washington, D. C.  
 B.S. (Chulalongkorn University,  
 Thailand)  
*Field of Specialization*: Physics

Susan Sherry Raines, Houston, Tex.  
 B.A. (University of Houston)  
*Field of Specialization*: Home  
 Economics

Q. V. Reese, Pemberton  
 B.S. (Pikeville College)  
*Field of Specialization*: Natural  
 Resources

Salvatore T. Reina, Augusta, Italy  
 B.A. (Boston College)  
*Field of Specialization*: Mathematics

Cynthia Rice, Columbus  
 B.S.Ed. (Central State College)  
*Field of Specialization*: Home  
 Economics

Monty Ray Rieger, Dover  
 B.S.Cer.E.  
*Field of Specialization*: Ceramic  
 Engineering

Rosalyn Delores Rivers,  
 Hendersonville, N. C.  
 B.S. (Winston-Salem State  
 University)  
*Field of Specialization*: Nursing

Craig Stuart Robinson, Columbus  
 B.S.E.E.  
*Field of Specialization*: Electrical  
 Engineering

Donald Reed Rodgers, Jr.,  
 Indiana, Pa.  
 B.A. (Washington and Jefferson  
 College)  
*Field of Specialization*: Microbiology

Hector Adrian Rozas, Lima, Peru  
 Ing. Civil (National University of  
 Engineering)  
*Field of Specialization*: Civil  
 Engineering

Linda Carol LiBrize Sadurni,  
 Cincinnati  
 B.S.Nurs.  
*Field of Specialization*: Nursing

Edward Charles Salo, Ashtabula  
 B.S.  
*Field of Specialization*: Statistics

John Michael Salvadore, Millersport  
 B.S.M.E. (Ohio University)  
*Field of Specialization*: Mechanical  
 Engineering

Jeffrey Brian Sampsell, Westlake  
 B.S.  
*Field of Specialization*: Physics

Richard Craig Schmitter,  
 East Hanover, N. J.  
 B.A. (University of Rochester)  
*Field of Specialization*: Computer and  
 Information Science

Jeffrey Eric Schultz, Columbus  
 B.S., O.D.  
*Field of Specialization*: Physiological  
 Optics

Daniel Louis Schweickart, Kettering  
 B.E.E. (University of Dayton)  
*Field of Specialization*: Electrical  
 Engineering

Edwin Herbert Season, III, Columbus  
 B.A. (Denison University); M.D.  
*Field of Specialization*: Surgery

Pamela Jane Segrist Columbus  
 B.S.H.E.  
*Field of Specialization*: Home  
 Economics

David Elliott Shapiro, Brooklyn, N. Y.  
 B.S. (New York Institute of  
 Technology)  
*Field of Specialization*: Mechanical  
 Engineering

James Lee Shellhaas, Troy  
 B.S.  
*Field of Specialization*: Microbiology

George Kirby Shepherd, Warren, N. J.  
 B.S. (College of William and Mary)  
*Field of Specialization*: Computer and  
 Information Science

John Charles Shick,  
 Santa Clara, Calif.  
 B.S. (Michigan State University)  
*Field of Specialization*: Geodetic  
 Science

Lynda Gallaher Shoemaker, Dublin  
 B.S.Phys.Ther.  
*Field of Specialization*: Allied Medical  
 Professions

Hua-Cheng Shu, Taipei, Taiwan  
 B.S. (National Taiwan University)  
*Field of Specialization*: Chemistry

Thea May Shulman, Flushing, N. Y.  
 B.S.Nurs. (Hunter College)  
*Field of Specialization*: Nursing

Stanley Alan Silverman, Cleveland  
 B.S. (Purdue University)  
*Field of Specialization*: Computer and  
 Information Science

Michael Joseph Skiver, Columbus  
 B.S.Agr.  
*Field of Specialization*: Animal  
 Science

Jonathan Scott Smalley, Nevada  
 B.S.C.E. (Ohio Northern University)  
*Field of Specialization*: Civil  
 Engineering

David Arnold Snyder, Baltic  
B.S.Agr.  
*Field of Specialization: Agricultural Education*

Paul Lester Snyder, North Hampton  
B.S.Agr.  
*Field of Specialization: Agricultural Education*

Nancy Duerson Solomon, Columbus  
A.B. (Ohio University)  
*Field of Specialization: Home Economics*

Thomas Edward Southard,  
Virginia Beach, Va.  
B.S. (Old Dominion College)  
*Field of Specialization: Electrical Engineering*

Jean Keppy Spero, Columbus  
B.S.H.E.  
*Field of Specialization: Home Economics*

Kyle Stiffler Stafford, Jackson  
B.S. (Rio Grande College)  
*Field of Specialization: Microbiology*

Robert Murray Stanley,  
Martins Ferry  
B.S.M.E.  
*Field of Specialization: Mechanical Engineering*

John Scott Steele, Gallipolis  
B.S.E.E.  
*Field of Specialization: Electrical Engineering*

Gwen Stephens Stevens,  
Rickenbacker AFB  
B.A. (San Jose State College)  
*Field of Specialization: Medical Microbiology*

James Mervin Stilwell,  
Penn Yan, N. Y.  
B.S. (Cornell University)  
*Field of Specialization: Natural Resources*

Herbert Richard Summers,  
Los Angeles, Calif.  
B.S. (University of California,  
Los Angeles)  
*Field of Specialization: Physics*

Martin James Swiatkowski, Cleveland  
B.S. (John Carroll University)  
*Field of Specialization: Mathematics*

Richard Harold Tangeman,  
New Bremen  
B.S.Agr.  
*Field of Specialization: Agricultural Education*

Paul Anthony Tasca, Kenmore, N. Y.  
B.A. (University of Rochester)  
*Field of Specialization: Chemistry*

Howard Lane Tetelman, Columbus  
B.A.  
*Field of Specialization: Microbiology*

Jui-I Ting, Taipei, Taiwan  
B.S. (Taiwan Province Chung-Hsing  
University)

*Field of Specialization: Entomology*  
Norman Andrew Toto, Adena  
B.E.E.

*Field of Specialization: Electrical Engineering*  
Marilyn Cramer Tritt, Granville  
B.S.Nurs.

*Field of Specialization: Nursing*

Ronald Phillip Tutas, Hamilton  
B.S.C.E. (University of Cincinnati)  
*Field of Specialization: Civil Engineering*

Dale Jay Van Harlingen, Kettering  
B.S.  
*Field of Specialization: Physics*

Reed Curtis Varian, East Canton  
B.S.Agr.  
*Field of Specialization: Agricultural Economics and Rural Sociology*

Frances Rita Delmonte Vlasses,  
Mount Ephraim, N. J.  
B.S. in Nurs. (Villanova University)

*Field of Specialization: Nursing*

Dennis Lee Waldman, Canton  
B.S.Agr.  
*Field of Specialization: Agricultural Education*

Richard Allen Warhurst,  
Wichita, Kan.  
B.S. (Kansas State University of  
Agriculture and Applied Science)

*Field of Specialization: Zoology*

Cindy Lou Weeks, Columbus  
B.S.C.I.S.  
*Field of Specialization: Computer and Information Science*

Douglas Karl Weik, Lakeside, Conn.  
B.S. (Bates College)  
*Field of Specialization: Environmental Biology*

Barbara Bozeman Welch, Columbus  
B.A. (Northwestern University)  
*Field of Specialization: Food Science and Nutrition*

Kathleen Murphy Weller,  
Battle Creek, Mich.  
B.S. (Central Michigan University)  
*Field of Specialization: Botany*

Barbara Bailey Whalen, Lima  
B.S.Ed.  
*Field of Specialization: Mathematics*

Walter Wharton, Jr., The Plains  
B.S.C. (Ohio University)  
*Field of Specialization: Agricultural Education*

Gerry Call Whinnery, Columbus  
B.S. in Nurs. (University of  
Michigan)

*Field of Specialization: Nursing*

Peter Douglas Will, Columbus  
A.B. (College of the Holy Cross);  
D.D.S.

*Field of Specialization: Dentistry*  
Susan Amidon Wisnyai, Ashtabula  
B.A. (Wittenberg University)

*Field of Specialization: Anatomy*

John Leo Woll, Jr., Medina  
B.S.A.E. (Notre Dame University)  
*Field of Specialization: Aeronautical and Astronautical Engineering*

Clyde Francis Wootton, Marietta  
B.S. (Marietta College)  
*Field of Specialization: Geology and Mineralogy*

Vicki Lynn Wright, St. Albans  
B.A. (Marshall University)  
*Field of Specialization: Home Economics*

Peng Yen, Taipei, Taiwan  
B.S. (Fu-Jen Catholic University)  
*Field of Specialization: Physics*

Stephen Curtis Yerian, Westerville  
B.A. (Kenyon College)  
*Field of Specialization: Physics*

Hyoung Kyu Yoo, Seoul, Korea  
D.V.M. (Seoul National University)  
*Field of Specialization: Veterinary Preventive Medicine*

Tatsuo Yoshizawa, Niigata, Japan  
B.E. (Hokkaido University)  
*Field of Specialization: Industrial and Systems Engineering*

David Wai Young,  
Kowloon, Hong Kong  
B.S.E.E. (Tuskegee Institute)  
*Field of Specialization: Electrical Engineering*

#### Master of Social Work

Three candidates

Geraldine Huff, Prichard, Ala.  
B.S. (Alabama State College)  
*Field of Specialization: Social Work*

Hwai Chun Kim, Seoul, Korea  
B.A. (Ewha Women's University)  
*Field of Specialization: Social Work*

Rodney Benedict Smith, Columbus  
B.A. (University of North Carolina)  
*Field of Specialization: Social Work*

## Colleges of the Arts and Sciences

Chairman, Coordinating Council of Deans: Colin B. B. Bull  
Vice Provost for the Arts and Sciences: Thomas A. Willke

The Colleges of the Arts and Sciences, a federation of five colleges, includes:

### College of The Arts

Dean: Lee Rigsby

### College of Biological Sciences

Dean: Richard Bohning

### College of Humanities

Dean: Arthur E. Adams

### College of Mathematics and Physical Sciences

Dean: Colin B. B. Bull

### College of Social and Behavioral Sciences

Dean: Franklin P. Kilpatrick

## College of The Arts

Dean: Lee Rigsby

### Bachelor of Arts

Sixteen candidates

Rebecca Sue Andrews, Cincinnati  
Mary Melissa Brubaker,  
Washington C. H.  
Karen Burstein, Beachwood  
Andrew Lawrence Diskant,  
West Hartford, Conn.  
Joan Noreen Dostal, Fairview Park  
Christine Glenna Ford, Columbus  
Vivien Maxine Green,  
Toms River, N. J.  
Greg Armond Herbst, Columbus  
Wade Allen Hunt, Englewood  
Michele Marie McGrath, Columbus  
Kathleen Lynn Mott, Jamestown  
Laurie Ann Rosenthal,  
Shaker Heights  
Ann Miller Simmons, Columbus  
Joseph Michael Stolpa, Columbus  
John Allen Volkmar, Columbus  
Bethanne Young, Columbus

### Bachelor of Fine Arts

Thirty-eight candidates

Mary Diane Abel, Rocky River  
Carol DuPaul Baldock, Columbus  
Jo Ann Berman, San Diego, Calif.  
Randy Forder Black,  
Canal Winchester  
Deborah Lee Bromley, Dayton  
Martha Caust, Bayside, N. Y.

Rose Papania Converse,  
New Waterford  
Deborah Lynne Cook, Fairborn  
Jacklyn Berniece Crislip, Painesville  
Michael John Dannaher, Columbus  
Richard Darryl Dick, New Carlisle  
John Richard Egg, Marion  
Judith Ann Gander, Columbus  
Robert William Gorski, Cincinnati  
Margaret Ann Gysan, Castalia  
Regina Harris, Cincinnati  
Marilynn Rahn Host, Columbus  
Janice Terese Kerestesy, Cleveland  
Karen Browne Klingbeil, Columbus  
Stefanie Pope Leverault,  
Pittsburgh, Pa.  
James Tyree Logan, Jeffersonville  
Gary Stephen Lord, Cincinnati  
Darrell Louis Mankoff, Buffalo, N. Y.  
Elizabeth Jo Marcy,  
West Seneca, N. Y.  
Brenda Barrett Mason, Columbus  
Johnna Kay McCauley,  
Mechanicstown  
B. Art Ed.  
Charlene Marie McManis, Columbus  
Michele Renee Nemeth, Canton  
Susan Alice Olkes, University Heights  
Thomas Bradford Percy, Columbus  
Melody Lee Roush, Belpre  
Elizabeth Ann Sarkisian, Cleveland  
Liselotte Schioler, Columbus  
Ann Schwartz, Beachwood  
Pamela Caruzzi Shockley, Columbus  
William Thurman Slade, Columbus  
Diane Mae Ward, Bedford Heights  
Jennifer Way, Waverly

### Bachelor of Music

Two candidates

\* Daniel Russell Prior, Ohio City  
David Mont Shepard, Worthington

**Bachelor of Art Education and  
Bachelor of Music Education  
degree are offered jointly by the  
College of The Arts and the  
College of Education**

### Bachelor of Art Education

Fourteen candidates

Jacqueline Anne Alkire, Columbus  
B. A.  
Alice Mildred Carpenter, Lewisville  
Edwin Frey, Jr., Cincinnati

Timothy Robert Hlutke,  
Columbia Station  
Howard Chris Hoffman, Mansfield  
Daniel Charles Kirk, Columbus  
Maurene Elizabeth McGrain,  
Sandusky  
Pamela Joan Mott, Mansfield  
John Richard Newton, Columbus  
B. F. A. (Herron School of Art) ;  
M. F. A.  
Amy Pritchard, Dover  
Nancy Jo Derry Puperi, Columbus  
Rebecca Jo Ryland, Shelby  
Glenda Rhea Seva, Columbus  
Ursula Anna Stahovec, Lore City

### Bachelor of Music Education

Two candidates

\*\* Daniel Russell Prior, Ohio City  
Duane Alfred Smith, South Euclid

### Bachelor of Science in Industrial Design

Twelve candidates

Gregory Brooks Arnold,  
Meriden, Conn.  
Fred Bilitier, Columbus  
Peter Dodd Butler, Columbus  
Michael Elijah French, Newark  
Christine Claudia Lease, Fremont  
Jacqueline Lechner, Columbus  
James Clifford McFarland, Cambridge  
David Lee Parsons, Lakewood  
David Allen Shaffer, Germantown  
Thomas Donald Stahl, Canfield  
David George VandenEynden,  
Cincinnati  
Joseph Andrew Weidinger, Columbus

## College of Biological Sciences

Dean: Richard H. Bohning

### Bachelor of Arts

Thirteen candidates

Audrey Marie Christmas,  
Maple Heights

\* Also Bachelor of Music Education,  
College of Education  
\*\* Also Bachelor of Music,  
Colleges of the Arts and Sciences



Denise Arlene Fogle, West Mansfield  
 Robert Ross Freeborn, North Canton  
 B.S.Ed.  
 Michael Charles Garovich,  
 Campbell  
 Thomas Scott Hart, Gibsonburg  
 Edward Ernest Hives, Cleveland  
 Geoffrey Christopher Mitchell,  
 Columbus  
 Bruce John Nowac, Maple Heights  
 Dennis Richard O'Brien, Westerville  
 Joan Lee Resatka, Warren  
 Richard Paul Salasek,  
 Broadview Heights  
 James Arthur Smith, Piqua  
 Michael Stephen Takach, Columbus

#### **Bachelor of Science**

Sixty candidates

Gregory John Armstrong, Columbus  
 Nesrin Asya, Istanbul, Turkey  
 Vivian Lee Baber, Jefferson  
 Thomas Lee Bantz, Columbus  
 Douglas Harrison Brook, Cleveland  
 James Daryll Browning, Columbus  
 Laura Elizabeth Campolito, Canfield  
 Roberta Norrine Carbetta, Mansfield  
 Linda Miller Chakeres, Columbus  
 Dianne Chandler, Amherst  
 Richard Eugene Cheney, Jr., Lima  
 Ronald Sherman Coleman,  
 Continental  
 Thomas Michael Collins, Westerville  
 Janet Lee Crowl, Columbus  
 Jerry Fred Daum, Dayton  
 William Scott Elliott, Marietta  
 Christine Ann Erick, Kenton  
 Myron M. Escovitz,  
 University Heights  
 Anita Lee Fox, University Heights  
 Maryann Garwood, Davenport, Ia.  
 David Evans Gibson, Mansfield  
 Curtiss Alan Gindlesperger,  
 Independence  
 Donald Bruce Hallowes, Cocoa, Fla.  
 Barbara Arline Helle, Millersport  
 Wendy Aileen Howell, Gates Mills  
 Scott Douglas Jewell, Springfield  
 Bruce Ellsworth Johnson,  
 Lynchburg, Va.  
 Julie Ann Kehres, Shaker Heights  
 Bonne Lee Knepper, Columbus  
 James Arthur Knupp, Lima  
 Dennis Michael Kondrich, Lakewood  
 Russell James Lamp, Columbus  
 Mary Ann Maurer, Worthington  
 Laurence Paul Mayer, Columbus  
 James Edward McAlister, Alliance

Steve Allen McIntosh, Brookville  
 Stephen Christopher Miely, Columbus  
 Kathy May Morland, Grove City  
 Donald Glen Pitts, Columbus  
 Robert Gordon Provisor, Cincinnati  
 Patricia Louise Radeeki, Toledo  
 Larry Allen Ralph, Dayton  
 Christopher Allen Rice, Akron  
 Rosemarie Doris Rompler, Columbus  
 Harry Michael Savage, Monclova  
 Victoria Jean Schroeder, Circleville  
 Constance Sue Seckel, Columbus  
 Cert.Grad.Dent.Hyg.  
 Joel Gary Shnider, Cincinnati  
 Edward Manfred Siegel,  
 San Luis Obispo, Calif.  
 Matthew Thomas Smiley, Columbus  
 Susan Hoadley Spokane, Columbus  
 William Marvin Thomas, Jr., Dublin  
 Patricia Marianne Umbaugh,  
 Gahanna  
 John William Vandenbosch,  
 Kettering  
 Christopher Joseph Vojsak, Columbus  
 Steven Allen Wells, Kettering  
 Paul Mark Whetstone, Lancaster  
 Donald Philip Winstel, Cincinnati  
 Gary Lee Wisma, Urbana  
 Mark David Witaczack, Columbus

#### **College of Humanities**

Dean: Arthur E. Adams

#### **Bachelor of Arts**

One hundred and seventy-two candidates

Emily Judith Abramowitz,  
 Hicksville, N. Y.  
 Louise Ellen Abrams, Beachwood  
 Martin Lee Axelrod, Columbus  
 James Hugh Banks, Delaware  
 Michael Andrew Baum, Columbus  
 Holly Boone, Portsmouth  
 Sandra Earlene Booth,  
 Newcomerstown  
 Denise Rae Broomhall, Columbus  
 Dwight Alexandria Brown,  
 Springfield  
 Robert Joseph Brown, Parma Heights  
 John Robert Brownfield, Columbus  
 Christopher Jay Brumfield, Columbus  
 Keith Robert Buren, Mansfield  
 Michael William Burns, Columbus  
 Betsy Sternberger Cahn,  
 Shaker Heights  
 Mary Ann Johnson Callahan,  
 Columbus  
 Shirlee Bath Cassidy, Columbus

Kathleen Ann Chambers, Euclid  
 William David Chubb, Findlay  
 James John Ciolkevich, Seven Hills  
 Pamela Johnson Cochran,  
 Eau Claire, Wis.  
 Immaculada Gilmontes Conley,  
 Columbus  
 Gary Bruce Coon, Uniontown  
 Harald Franklin Craig, Toledo  
 Michael Alan Damsky,  
 Birmingham, Ala.  
 Debra Joanne Danculovic,  
 Broadview Heights  
 Rex Edward Davidson, Westerville  
 Gary Delashmutt, Worthington  
 Jeri Leigh Diehl, Columbus  
 Douglas Paul Doty, Kettering  
 Andrew Calvin Downing, Columbus  
 Thomas John Dunn, Dover  
 Donna Jean Eakright, Columbus  
 Mary Susan Egger, Columbus  
 Patricia Ann Eldredge, Arlington, Va.  
 Peter David Ellison, Mansfield  
 Jeffrey Charles Fisher, Worthington  
 Mark Robert Fisher, Columbus  
 Jerry Richard Fleischer, Westlake  
 Richard Francis Fox, Uhrichsville  
 Sally Troiano Gallagher,  
 Westerville  
 William Lee Geary, Portsmouth  
 Michael Emil George, Lakewood  
 Susan Lynn Green,  
 Fort Lauderdale, Fla.  
 Mark Steven Greenfield, Toledo  
 Greg Alan Greener, Columbus  
 Arthur P. Haniotis, Columbus  
 Richard Lee Heinzeroth, Kettering  
 James Peter Henderson, Elyria  
 Steven James Herskowitz,  
 Cleveland Heights  
 James Patrick Hertenstein, Norwalk  
 Robert Gregory Hesterberg,  
 Cincinnati  
 Natalie Hull Hoffer,  
 Cambridge, Mass.  
 Ellen Surra Hoffman,  
 Cleveland Heights  
 George Allen Hoffman, Lorain  
 Paul Michael Hogan, Kettering  
 Catherine Gail Honton, Columbus  
 Paula Kay Hopkins, Cincinnati  
 Sharon Helton House, Columbus  
 Gary Lynn Hunter, Columbus  
 Carole Renee Hutchins, Springfield  
 David Robert Irwin, Pittsburgh, Pa.  
 Mary Sydnor Kallgren, Columbus  
 Harold David Karas,  
 Newtonville, Mass.  
 Douglas Walter Kaus, Napoleon  
 Betty Jean Kiehl, Columbus

Shelby Ray Kirk, Lockbourne  
 Janet Aileen Kish, Solon  
 Loretta Ann Kurlich, Havertown, Pa.  
 Joseph Steven Laszcz, Euclid  
 Lynn Ellen Lauber, Lima  
 Gregory Allen Leckrone, Rushville  
 Michael Gordon Lewin, Columbus  
 Dennis Duffie Lindsay, Portsmouth  
 Janet Terese LiPuma,  
 University Heights  
 Janet Sliney Liscano, Columbus  
 John Anthony Logan, Kinsman  
 Betty Donihe Lucas, Columbus  
 Betty Lou Lucas, Plymouth  
 Michael Thomas Lucid, Greenwood  
 Dennis Christopher Mair, Canton  
 Douglas Allan Mandel, Cleveland  
 Walter Earl Marconette, Jr., Piqua  
 Dennis Hoyt McCallum, Worthington  
 Allen Scherer McClung,  
 Washington, C. H.  
 Brian Neill McMahon, Columbus  
 Samuel Joseph Meadema, Bay Village  
 John William Mechtly, Columbus  
 Maria Elena Medina, Dayton  
 Vicki Nestor Meisner, Columbus  
 Eric Harvey Meister, Cincinnati  
 Alyce Louise Miller, Columbus  
 Deborah Dee Miller, Columbus  
 Madeline Margaret Miller, Cincinnati  
 Natalie Jean Mock, Columbus  
 Judith Deane Moglia, Columbus  
 Leslie Ann Monas, Brecksville  
 Mark Jerome Morgan, Columbus  
 Martha Anne Mors, Worthington  
 Donald Filmore Moseley, Columbus  
 Megan Veronica Mountain,  
 Grove City  
 Johan Matthias Stadius Muller,  
 Scheveningen, The Netherlands  
 Catherine Nossaman, Chesterfield, Mo.  
 William Stephen Osher,  
 University Heights  
 Richard Xavier Paglioni, Columbus  
 Thomas Frank Park, Jr., Westerville  
 Mark Alan Parsons, Columbus  
 June Gajdoss Perin, Worthington  
 Patricia Jane Petric, Strongsville  
 Donna Lee Phillips, Brecksville  
 John David Phillips, III, Columbus  
 Joan Elynn Plungis, Cincinnati  
 Ronald John Pokorny,  
 Garfield Heights  
 Sara Herrin Polatty, Olney, Ill.  
 Thomas John Popa, Columbus  
 Douglas Michael Post, Columbus  
 Bertina M. Povenmire, Columbus  
 Paula Kaser Price, Columbus  
 Anne McClellan Pryor, Columbus  
 Maureen Annette Pugh, Toledo

Robert Allen Purdum, Jr., Cleveland  
 Kenneth James Raimer, Cleveland  
 Kenneth James Rapoport,  
 University Heights  
 Ruth Ellen Rehmar, Columbus  
 Cathy Susan Reid, Columbus  
 Stephen Gary Repella, Steubenville  
 Margaret Amy Ribnick,  
 Scarsdale, N. Y.  
 Wayne Mitchell Rich,  
 Westbury, N. Y.  
 Kevin John Rodriguez, Columbus  
 Jack Samuel Rosen, Beachwood  
 Debra Sue Ross, Beachwood  
 Max Rowinsky, Columbus  
 Patricia Ann Ruzga, Andover  
 Karin Cecilia Birgitta Ryding,  
 Steubenville  
 Joseph Pio Salvatore, Columbus  
 Mary Lynn Sattelmeyer, Kirtland  
 Patricia Ann Scarberry, Columbus  
 Elliott Scott, Jr., Jefferson  
 Mona Simons Semeniv, Perrysburg  
 James Anthony Semivan, Boardman  
 Robert Michael Shapter, Worthington  
 Terrence Lee Sheban, Youngstown  
 Thomas Fred Shreve, Columbus  
 Bruce Alex Slangenaupt, Columbus  
 Pamela Joyce Smith, Columbus  
 Richard Leigh Stern, Westbury, N. Y.  
 Steven Jay Strelzik, Old Bridge, N. J.  
 Michael Herbert Strider, Columbus  
 Jon Somers Sultzbach, Springfield  
 Deborah Elizabeth Thompson,  
 Columbus  
 William Carl Totterdale, Warren  
 Timi Jane Townsend, Columbus  
 Susan Wallack Traub,  
 Shaker Heights  
 Craig Paul Treneff, Grove City  
 Michael Jay Tutelman,  
 Westbury, N. Y.  
 Lori Ann Veach, Columbus  
 Henry Joseph Ver Wayne, Columbus  
 Peter Vyorst, Great Neck, N. Y.  
 Faith Ann Wallace, Columbus  
 Patricia Bailey Wallick, Columbus  
 James Joseph Walsh, Jr., Columbus  
 John Michael Welcome, Euclid  
 Michael Gordon Wentz, Vincent  
 Elizabeth Ann Wheatley, Dayton  
 Robert Eugene Whitlatch, Lima  
 John Allen Whittington, Granville  
 Detlef Wiewel, Lakewood  
 Richard Alan Wilson, Columbus  
 Donald James Worstell, Columbus  
 Wanda C. Wurm, Westerville  
 George Eddy Young, Steubenville  
 Christine Ann Yount, Portsmouth

## College of Mathematics and Physical Sciences

Dean: Colin B. B. Bull

### Bachelor of Arts

Four candidates

Martin Chernitsky, Elyria  
 Edward Theodore Keesey, Columbus  
 Gerald Lee Picker, Dayton  
 Raymond Kenneth Weimer, London

### Bachelor of Science

Thirty-three candidates

Karl Edward Axthelm, Marion  
 Don Bachner, Columbus  
 Carla Keyes Baskett, Columbus  
 Joseph Edward Berger, Columbus  
 Terry Joseph Bohnert, Cincinnati  
 Judy Kay Braun, Sidney  
 Bradley John Cakra,  
 Cleveland Heights  
 David Hugh Davis, Columbus  
 Robert Frank Gradisek, Lorain  
 Roger Edward Jutte,  
 Port Recovery  
 Jerry Bruce Keiper, Mt. Gilead  
 Eileen Jeanette Kulesza,  
 Moorestown, N. J.  
 Gary Clifton Legg, Akron  
 Steven Harley Mahan,  
 Lehigh Acres, Fla.  
 Ronnie Allan Maurer,  
 New Philadelphia  
 Lon Allen McCullough, Dennison  
 Guy Loring Mettle, Columbus  
 Robert Alvin Michalski, Seven Hills  
 Margaret Sue Palmer, Alliance  
 Rebecca Eugenia Perona, Columbus  
 Howard David Rees, Columbus  
 John Walter Rohal, Jr., Westerville  
 George Lewis Schmidt, Columbus  
 Eric William Smith, Columbus  
 Denise Marie Soroka, Campbell  
 Jay Robert Spielman,  
 Mayfield Heights  
 Richard Anthony Stross,  
 Blanchester  
 Barbara Ann Taketa, Cleveland  
 Alexander Michael Tihanyi, Cleveland  
 B.A.  
 Kin Sang Tong, Kowloon, Hong Kong  
 Bruce Edward Urbschat,  
 Wanda C. Wurm, Westerville  
 Columbiana  
 Alexander Waugh, Amherst  
 David Marvin Yeager, Columbus

## College of Social and Behavioral Sciences

Dean: Franklin Kilpatrick

### Bachelor of Arts

Three hundred and twenty-seven candidates

Martha Richmond Alexander, Columbus  
Kelly J. Altenberger, Marion  
Richard Roe Ameter, Bryan  
Evelyn Carole Anderson, Springfield  
Gary Lynn Ankerman, Wapakoneta  
Kathleen Ann Auble, Ironton  
James Vincent Axe, Jr., St. Marys  
Kathy D. Ball, Hamilton  
Sheri Ann Baron, Livingston, N. J.  
Beverly Ann Barr, Vickery  
Jeffrey Lynn Barth, Hubbard  
Patricia Evans Bartos, Heath  
Judith Miriam Baum, Cleveland Heights  
Jane Catherine Baumer, Columbus  
Christine Ann Becherer, Poland  
Edward Theodore Becker, Cuyahoga Falls  
James Curtis Becker, Columbus  
Robert Joseph Behal, Columbus  
Diane Ruth Beisner, Greenville  
Elizabeth Louise Bell, Columbus  
Kirk John Bennett, Middleburg Heights  
Scott Paul Benson, Minerva  
Edgar Bruce Bernstein, Cleveland  
David Alan Berridge, Gallipolis  
Mary E. Bethany, Toledo  
Donald Clifford Betts, Columbus  
Brunhilde Bietz, Tiffin  
Cert. Grad. Dent. Hyg.  
Ann Conner Bingham, Portsmouth  
Anne Bennett Birkimer, Columbus  
Brett Alden Blevins, Columbus  
Charmaine Denise Blevins, Perrysburg  
Betsy Rachel Blumberg, Toledo  
Toni Colette Blunt, Columbus  
Mark Douglas Boise, Centerville  
Richard Thayne Bondurant, Dublin  
Mareeta Annette Borkosky, Upper Sandusky  
Janice Squires Bornstein, Philadelphia, Pa.  
Judith Amy Borodkin, Akron  
Andrea Chinni Bosko, Mansfield  
Janet Rose Bosma, South Euclid  
Gay Bowen, Guilderland, N. Y.  
David Grant Bowling, Mason  
Brenda Bozickovic, Brooklyn  
William Rollin Braden, Cambridge

Kirk John Brady, Lakewood  
Sandra Lee Brandon, Powell  
Terri Lee Bratton, Elyria  
Steven Russell Brennen, Fremont  
John Olin Brentin, Poland  
William Raymond Brown, Galena  
Hella Elena Buchheim, Cincinnati  
Barbara Jo Bullock, Elyria  
Maria Alberta Bunstine, Columbus  
Elizabeth Willow Chan, Euclid  
Gerald Keith Chapman, Columbus  
Mark Gordon Cherney, Silver Spring, Md.  
Laurie Anne Chizever, Woodmere, N. Y.  
Fungsim Amelia Chu, Hong Kong  
John Deforest Claibourne, Plain City  
Carolyn Larette Clayton, Cleveland  
Philip Dailey Cline, Columbus  
Philip Bryan Cochran, Columbus  
Christy Weasel Cole, McClure  
Vivian Condini, Cincinnati  
Jerina Fay Copey, Columbus  
Dennis Arthur Coryell, Chagrin Falls  
Victor Vasile Coseriu, Independence  
Steven Alan Crawford, Reynoldsburg  
Thomas Patrick Cullen, Buffalo, N. Y.  
Larry Allen Cunningham, Columbus  
Martha Lynese Curtis, Dallas, Tex.  
Philip Michael Curtis, Columbus  
Christine Davidson, Youngstown  
Thomas Robert Davies, Marion  
Michael Curtis Davis, Aiea, Hawaii  
Donald Lee Dean, Logan  
Jeanne Lynn Deimling, Rossford  
Gerald Thomas DeLollis, Bedford  
David Harry Derrer, Perrysburg  
Michael Carl Dillow, Portsmouth  
Margaret Mary Dinan, Reynoldsburg  
Denise Manna Dobreff, Lorain  
Kathryn Elizabeth Doering, Toledo  
William Vinton Duffey, Sandusky  
James Hugh Edwards, Columbus  
Thomas Jacob Edwards, Canton  
Gregory Lee Ellis, Doylestown, Pa.  
Vicki Allyn Elsoffer, Beachwood  
\*Karl Ann Erler, Toledo  
Marquette Daniel Evans, Columbus  
Gregory Joseph Eyerman, Columbus  
Anthony Ray Fairbanks, Cincinnati  
David Charles Fisher, Youngstown  
John Keith Fitch, Portsmouth  
Ronald Albert Flack, Columbus  
Victoria Flewellen, Columbus  
Kenneth Eugene Flowers, Columbus  
Patricia Anne Flynn, Nutley, N. J.  
Carol Fish Folkert, Columbus  
Jeffrey Lynn Ford, Columbus  
Holly Beth Frankel, Beachwood  
Kay Hill Frederick, Urbana

Richard Ellis Frichette, Strongsville  
George Joseph Frick, North Olmsted  
Beatrice Margaret Friedlander, Columbus  
Judith Ann Friedman, Cleveland Heights  
Michael Bruce Frohlich, Lawrence, N. Y.  
Marcia Ann Dilworth Fruit, East Palestine  
Gloria Lee Gans, Columbus  
Philip Andrew Gasteier, Sandusky  
Gregory Ralph Gemzer, Mansfield  
Steven Michael Genshaft, Canton  
John Morgan Gerhold, Columbus  
Gail Rebecca Goldstein, Beachwood  
David Guy Gonya, Fremont  
Lysle Douglas Gordon, Fairport, N. Y.  
Michael Alan Graham, Toledo  
Gary Granader, Birmingham, Mich.  
Philip Nicholas Grano, Richmond Heights  
Jeffrey Robert Grant, Worthington  
Roger Max Gray, Pataskala  
Catherine Green, Worthington  
Yvonne Carol Greene, Columbus  
Carl Ray Griffith, Galloway  
Donald Eugene Griffith, Newark  
Patricia Johnson Guy, Columbus  
Jane Ellen Haemmerle, Dayton  
Manfred William Haertel, Doylestown  
Lawrence Howard Hahler, Willard  
Karen Louise Ham, Milton Mills, N. H.  
Robbie Kent Hartsell, Westerville  
Jack Edward Harvey, Cuyahoga Falls  
Scott David Haskins, Marion  
Nancy Joyce Havelka, North Olmsted  
James Albert Hemly, Willowick  
Mary Michell Herr, Columbus  
Ronald Leroy Hickson, Marengo  
Katherine Sheridan Hines, Columbus  
Gary Lee Hinton, Huron  
Steven Carl Hintz, Norwalk  
Lora Jean Hoback, Zanesville  
Stephen Carroll Hodsdon, Cleveland  
Colby Anita Hostetler, Lynchburg  
Melanie Ann Howard, Lima  
Marilyn Myrtle Howarth, Cincinnati  
Richard Max Howel, St. Marys  
James Robert Hsie, Chillicothe  
Joseph Karl Huenke, Lima  
Edith Kay Ikerd, Brunswick  
John Robert Irwin, Columbus  
Brenda Lynn Jacobs, University Heights  
Beth Laurie Jamieson, Batavia  
Gary Edmund Jencson, Seven Hills

\* Also Bachelor of Science in Education, College of Education

Aaron Perry Johnson, Jr. Toledo  
 Faith Elaine Johnson, Dayton  
 Michael John Johrendt, Columbus  
 Jacqueline Gale Jones, Howard  
 Jeffrey Marc Joseph,  
 University Heights  
 Ralph Edward Juniper, Jr., Kettering  
 Susan Beryl Kaplan, Chicago, Ill.  
 Steven Ray Karto, Cadiz  
 Donald Clark Kauppi, Evanston, Ill.  
 Paul Alan Kay, Willoughby  
 Lynn P. Kaylor, New Philadelphia  
 Patricia Ann Kellner, Columbus  
 Martin Joseph Kerscher, Grove City  
 Lisa Beth Kerstein, Columbus  
 Sandra Jean Kesler, Ohio City  
 Susan Elizabeth Kester, Dayton  
 Cathy June Kimball, Columbus  
 Robert Michael Kinsey, Boardman  
 Michael Ray Klimansky, Whitehall  
 James Robert Kornbau, Leetonia  
 Michael Joseph Kourie, Columbus  
 \*Maureen Alice Krieski,  
 Cleveland Heights  
 Mark Allen Krueger, North Olmsted  
 Tamara Allen Krugh, Columbus  
 William Harry Lamson, Columbus  
 Dallas Allan Law, Westerville  
 Alan Stuart Levine, Shaker Heights  
 Vicki Laura Levine, Melville, N. Y.  
 Phillip Allan Levy, Youngstown  
 Deborah Donelle Lighton, Bay Village  
 Michael George Litke,  
 Middleburg Heights  
 Brenda Joyce Long, Columbus  
 James Mark Ludwig, Adena  
 Brian Joseph MacGregor,  
 Port Chester, N. Y.  
 John Denman Mahon, Columbus  
 Maureen Malone, Rocky River  
 Bart Kenneth Mandell, Fort Lee, N. J.  
 William Kent Manuel, New Carlisle  
 Frank Paul Maraldo, Cleveland  
 Lisa Beth Margulies, Columbus  
 Pamela Richardson Marsh, Columbus  
 Marcie Ellen Mazer, Dayton  
 George Edward McCormic, Ashland  
 Michael Lee McCoy, Columbus  
 Albert Carl McDonald, Lima  
 Bradford George McDonald,  
 Columbus  
 Robert Gordon McElroy,  
 Bryn Mawr, Pa.  
 Homer Charles McKenna, Jr.,  
 Columbus  
 James Vance McKinnell,  
 Littleton, Colo.  
 Bruce Howard Meizlish, Columbus  
 Meara Lynn Merz, Columbus

Agnes Suzanne Meszner,  
 Highland Heights  
 Caryn Frances Mian, North Olmsted  
 Larry Michael, Columbus  
 John Joseph Michels, East Liverpool  
 Marlene Phillips Miller, Columbus  
 Robert Todd Miller, Plainfield, N. J.  
 Philip Cleatus Mitchell, Grove City  
 Anthony Phillip Muccio, Niles  
 Robert Thomas Munthe, Willowick  
 Anne Cato Murrin, Norfolk, Va.  
 Ronald Musilli, Columbus  
 Sheila Jean Nelson, Kettering  
 Phyllis Friesner Newton, Worthington  
 Rebecca Shaver Nichols, Columbus  
 Isom Nivins, Jr., Columbus  
 Albert Karl Noga, North Royalton  
 Marsha Lee Nolte, Gahanna  
 Arvid Daniel Nord, III, Medina  
 Ann Marie Novotny, Canfield  
 Rita Jeanne Nussbaum, Beachwood  
 Bonnie Osburn Nygaard,  
 Fredericktown  
 Kelly Shane O'Neill, Bryan  
 Robert Howard Ovadia,  
 Yonkers, N. Y.  
 Benjamin Louis Page, Crestline  
 Robbin Louise Palmer, Montpelier  
 David Mitchel Paris, Cleveland  
 Cheryl Ann Patterson, Columbus  
 Nancy Badley Paulk, Columbus  
 Lisser Epifania Castro Payuyo,  
 Arlington  
 Stephen Joseph Pecarsky,  
 Silver Spring, Md.  
 Ricky Joe Perry, Seville  
 Kathryn Hayes Phillips, Fresno  
 Susan Louise Phillips, Dover  
 Laurie Marlene Scher Plummer,  
 Columbus  
 Reynold Allen Pola,  
 Wethersfield, Conn.  
 Nancy Elise Powell, Shaker Heights  
 Bruce Griswold Proudley,  
 Worthington  
 Deborah Ann Prowell, Canton  
 Michelle Anne Rassie, Avon Lake  
 Doris Rae Rate, Toledo  
 Stephen Robert Reeb, Columbus  
 Donald Richard Reeder, Delaware  
 James Lamar Reeves, Norwalk  
 William Lewis Reichert, Columbus  
 Linda Joy Reiter, Bayonne, N. J.  
 Annie Ren, Hong Kong  
 Robert William Richwine, Jr.,  
 Columbus  
 Lynn Kent Riethmiller, Clarington  
 Fredrick Arthur Robinson, Columbus  
 Kenneth Karl Robinson, Jr., Columbus  
 Robert Gregory Rogers, Englewood

Robert Alan Rudolph, Beachwood  
 Richard Dale Sandler, Columbus  
 Scott James Schaffner, Fayette  
 Amy Louise Schaper, Alliance  
 Kurt Vincent Schmelzer,  
 Sheffield Lake  
 Joanne Elizabeth Schmidt, Cleveland  
 Joseph Peter Schmitz, Dayton  
 Pamela Kay Schneider, Gahanna  
 Charles Emil Schroeder, Toledo  
 Wendy June Schweiger, Columbus  
 Dennis Lee Searis, Columbus  
 Verna Morrison Seger, New Concord  
 Lawrence Michael Seggerson, Lima  
 Louis Joseph Seidenstecker, Jr.,  
 Columbus  
 David Gene Shackle, Canton  
 Sharyn Wilder Sharpe, Columbus  
 William Washburn Sheppard,  
 Worthington  
 Gary Lee Sigman, Hewlett, N. Y.  
 Judith Carlin Simpkinson,  
 Youngstown  
 Daniel Joseph Smith,  
 Birmingham, Mich.  
 Debra Stevens Smith, Columbus  
 James Stephen Smith, Columbus  
 Nancy Kinder Smith, Columbus  
 Rhonda Louise Smith, Columbus  
 Kathy Sue Smoler, Columbus  
 Linda Ann Snethkamp, St. Marys  
 Randall Dean Snodgrass, Columbus  
 James John Sovik, Poland  
 Susan Spears, Columbus  
 Patricia Lynn Spencer, Columbus  
 Holly Sue Spilker, Waterville  
 Timothy Michael Spridgeon,  
 Springfield  
 Maripat Squillace, Youngstown  
 Julie Ann Stein, Columbus  
 Laurie Jane Stein, Shaker Heights  
 David Lawrence Stevenson, Columbus  
 Gregory Michael Stevenson, Lima  
 Vivian Lee Stewart, Oakton, Va.  
 Gary Edward Strelou, Independence  
 Donald Keith Strybel, Park Ridge, Ill.  
 Glenn Susser, Flushing, N. Y.  
 Frederic Preston Swenson,  
 Worthington  
 Corwin Drake Talbert, West Elkton  
 Joan Elizabeth Taylor, Columbus  
 Glynn Owin Thomas, Fairborn  
 Barbara Ann Thorniley, Marietta  
 Roger Lee Trott, Zanesville  
 Shirley Ann Turrell, Columbus  
 James Edward Uehling, Cincinnati  
 Lionel Jay Underwood, Loudonville  
 Karen Jeanne Vanaman, Toronto

\* Also Bachelor of Science in Education,  
 College of Education

## Administrative Science College of

Dean: James R. McCoy

Brenda Partin Van Fleet, Van Wert  
Niculove George Vintila, Brook Park  
Jeanette May Wahl, Castalia  
Michael Lee Walton, Delaware  
Thomas Ling Wang, Cincinnati  
Kenneth A. Watras, Worthington  
Jacqueline Elaine Wheeler,  
Newport News, Va.  
Elizabeth Ann Wherley,  
New Philadelphia  
Wendy Sue White, Columbus  
Creighton Worswick Whiting,  
Columbus  
Lynn Robert Wideman, Medina  
Cynthia Stevens Williams, Columbus  
John Michael Williams,  
Mingo Junction  
Gwendolyn Wilson, Akron  
Rory John Wolfe, Columbus  
Cheryl Renee Woodly, Cincinnati  
Andrew Russell Yarina, Cleveland  
Richard Eugene Young, Columbus  
Roberta Lee Young,  
Brightwaters, N. Y.  
Deborah Gilbert Yunker, Joliet, Ill.  
Andrew Zelasko, Columbus

### Bachelor of Science

Forty-two candidates

William Donald Adrion, Columbus  
Jennifer Melinda Agoston, Columbus  
Michael Harry Baumgardner,  
Columbus  
Hans Werner Buckendahl,  
North Olmsted  
Carol Cochrane, Columbus  
Chrystal Chloe Conant, Sunbury  
Don Glenn Cornell, Lexington  
George Thomas Dube, Columbus  
Patricia Ann Emmons, Columbus  
Jerry Wayne Ferrell, Marion  
Carina Erika Freimanis, Columbus  
Ralph Gardner, III, Cincinnati  
Richard Allen Hamilton,  
Worthington  
Michael Bernard Harris,  
New Brunswick, N. J.  
Patricia Lynn Hazeldine,  
Cranford, N. J.  
James Michael Henning, Cincinnati  
Joseph W. Janesz, Fairview Park  
Allen R. Juriga, Garfield Heights  
Patricia Ann Kassian, Columbus  
Timothy Alan Kennedy, Columbus  
Gary McVay Kimble, Columbus  
Deborah Kay Kolling, Mingo Junction  
John Christopher Lane, Dayton  
Randall Curtis Libb, Canfield  
Claudine Jennifer Metzler, Zanesville

Ernest Nicholas Meyn, Columbus  
Kathy Sue Miller, Orrville  
Mary Mehard Morrison,  
Monessen, Pa.  
Gabriel Alexander Palkuti, Columbus  
Paul Frank Perretta, Canton  
Janice DeSeno Powers,  
Rickenbacker AFB  
George Thomas Rabito, Ashland  
Ahmad Jaafar Raed,  
Jeddah, Saudi Arabia  
Thomas Howard Rickett, Wooster  
Jean Louise Rothbarth, St. Louis, Mo.  
Caryl Marcia Schlesinger,  
Flushing, N. Y.  
William Jay Schwartz,  
Rochester, N. Y.  
Gregory George Sopko, Cleveland  
David Russell Staring, Marion  
Kristy Ann Suro, Kettering  
Thomas Frederick Tedford, Columbus  
Kathleen Mary Thomas,  
Wintersville

### Bachelor of Arts in Journalism

Thirty candidates

Jeffrey Neil Agnew, Alexandria, Va.  
Penny Rae Breniser, Rossford  
Leslie Zoslov Buskirk, Columbus  
Willie Clarence Carpenter, Dayton  
Pamela Dennis, Columbus  
William Murphy Doyle, Columbus  
Dale Lee Epperson, Columbus  
Alan Gene Evans, Columbus  
Constantina Geldis, Columbus  
Clifford David Gold, Pittsburgh, Pa.  
Michael David Gross, Columbus  
Catherine Rose Hanson, Lithopolis  
Joseph Thomas Hardy, Columbus  
Sandra Almetia Holden, Youngstown  
Barbara Gruber James, Columbus  
Susan Drumm Leonhart, Columbus  
Harry Charles Lyons, Jr., Columbus  
Sarah Elizabeth McKinley, Bucyrus  
Susan Kay Metzger, Cincinnati  
Beverly Ann Morgan, Warren  
Elsie Webb Olesen, Dayton  
Jeffrey Edward Phillipin,  
Youngstown  
Sandra Weiss Pollack, Columbus  
Mark Steven Potash,  
University Heights  
John Eugene Schuster, Columbus  
Keith Joseph Warnecke, Leipsic  
Luther Emil Witte, Alliance  
Jill Valerie Wolowic, Columbus  
Mary Marlene Yost, Gahanna  
Gary John Ziilinskas, Northfield

### Bachelor of Science in Business Administration

Two hundred and forty-eight candidates

Timothy Alan Akers, Dayton  
Larry Ray Albert, Ashtabula  
Kim Alan Almendinger, Malta  
Edna Montgomery Amesquita,  
Waverly  
Michael Harry Anderson, Marysville  
Timothy David Anderson, Piqua  
Robert Charles Bachman, Columbus  
John Paul Bailey, Columbus  
Michael Charles Baker, Maplewood  
Craig Henry Barone, Columbus  
Gregory Joseph Bauer, Columbus  
James Paul Beckwith, Columbus  
Christine Carol Bednarski,  
Independence  
Charles Raymond Bentz, Columbus  
Lawrence Edward Bernardo, Geneva  
John Victor Bestt, Grove City  
Gary Clark Biddle, Columbus  
Lance Edward Blake, Columbus  
Marilyn Kay Blake, Cincinnati  
Kevin James Bleicher, Dayton  
John Carl Bloomstrom, Wyoming  
Mark Gabriel Bonaventura,  
Johnstown  
Howard Eotho Bowman, Jr.,  
Washington, D. C.  
Michael Carl Braunbeck, Newark  
Mark William Brinker, Ashville  
Gary Lee Brown, Lancaster  
Dan Moore Bryson, Geneva  
Joseph Paul Bukowski, Newbury  
Michael Roy Burke, Defiance  
Vernon Elmer Burkholder, Republic  
Roger Sterling Byers, Columbus  
Terry Dean Carter, Columbus  
Kevin Russell Cavanaugh, Columbus  
Rebecca Anne Chase, Sewickley, Pa.  
Mark David Christman, Deshler  
Anthony Michael Christopher,  
Wickliffe  
John Edward Cloern, Columbus  
James Gregorie Cole, Logan  
Ronald Lee Connelly, Dayton  
Gary Dean Dales, Mt. Vernon  
Rosalee Smith Daugherty, Sabina  
Robert Michael Davey, Huron  
Ray Lee DeNoble, Bellaire  
Deborah Ann Deutchman,  
Shaker Heights  
Samuel Joseph DeVictor, Columbus  
Terrence Alan Deye, Sylvania  
Patrick Morris Diamond, Columbus  
Arthur George Douglas,  
Las Vegas, Nev.  
Thomas Edward Driscoll,  
Tonawanda, N. Y.

Keith Alan Ebinger, Greenwich  
 David Mark Edison, Columbus  
 John Gary Edmister, Mt. Vernon  
 Michael Ernest Eesley, Grove City  
 Jack Lee Ellison II, Marion  
 Linda Ann Elwood, Blacklick  
 Michael Dean Faulkner, Middletown  
 Thomas S. Finton, Findlay  
 David Hillman Fisher, Columbus  
 Richard Alan Fishman, South Euclid  
 Richard Anthony Fontaine, Columbus  
 Frank Selby Forbes, Mt. Vernon  
 Scott Reese Fortenbacher, Columbus  
 Kim Earl Frankeberger, Columbus  
 Stephen Mark Fuhman, Lima  
 Larry Douglas Fuller, Worthington  
 Benjamin Arthur Furman,  
 Worcester, Mass.  
 Francis Alfred Gagnon,  
 Saratoga Springs, N. Y.  
 James Chester Gala, Parma  
 Paul Gene Gesler, Pandora  
 John David Gibbs, Columbus  
 David William Gifford, Chagrin Falls  
 Harvey Lewis Glick, Elizabeth, N. J.  
 Douglas Maynard Goare, Lima  
 David Alan Goldmeier, Columbus  
 John Douglas Goldsmith, Newark  
 Edwin Jason Gordon, Cincinnati  
 Phillip Ray Gordon, Columbus  
 Hymle Randy Greenfield,  
 Shaker Heights  
 Robert Don Grimm, Hinckley  
 Richard Neal Grubb, Springfield  
 John Frederick Guldig, Columbus  
 Stephen Paul Hallarn, Columbus  
 Steven Wayne Haller, Lima  
 Jeri Anne Hamblin, Worthington  
 John Leroy Hammer, Elyria  
 John Dennis Hart, Columbus  
 George Richard Harvey, Zanesville  
 Joseph James Hayek, Seven Hills  
 Harvey Philip Hayes, Westerville  
 Craig Clark Hazelett, Marion  
 Donna Lou Helterbrant, Sabina  
 Charles Dana Hendrickson, Cleveland  
 Nancy Louise Hendrickson, Cleveland  
 George Edward Henshaw, Cincinnati  
 Richard Harold Heppert, Northfield  
 Mark Hill Hickman, Columbus  
 William Alan High, Lakewood  
 Anne Therese Hildebrand, Newark  
 Donald Arthur Hill, Akron  
 Richard Atwell Hilliard, Columbus  
 Stephen Richard Hively, Hamilton  
 Betty Jean Holland, Columbus  
 Craig George Hoon, Walton Hills  
 Gregory Horan, Parma  
 Christine Mary Houfek, Carrollton  
 Meredith Jay Hughes,  
 Port Washington

David Clark Hunter, Bucyrus  
 Timothy Lee Hussey, Lancaster  
 Lynn Elizabeth Jacobs, Columbus  
 Jay Milton Janzen, Harrisonburg, Va.  
 Samuel Jacob Jeffries, Columbus  
 Douglas James Jipping, Columbus  
 Richard Eugene Johns, Huntsville  
 Willard Ray Johnson, Jr., Marion  
 Fred James Kaseman, Newark  
 Charles Robert Kasson, Columbus  
 Keith Clayton Kettle, Millbury  
 Michael Charles Kneessi, Coshocton  
 Robert Stanley Knox, Newark  
 Kreg Alan Kohli, Greenville  
 Ronald Albert Konst, Ottawa  
 Daniel Edward Krumm, Worthington  
 Lonnie Lloyd Lane, Marion  
 Jerald Alan Lawrence,  
 Upper Sandusky  
 Raymond James Leard, Columbus  
 Michael Joseph Lehman, Columbus  
 David Richard Lehnert, Columbus  
 William Charles Lekas, Akron  
 William Craig Lewis, Columbus  
 Daniel Alan Lovell, Cincinnati  
 Charles William Luck, Fallston, Md.  
 Stanley Alan Malatesta, Wapakoneta  
 Roger Evan Mallett, Springfield  
 Linda Susan Margolis,  
 East Meadow, N. Y.  
 Terry Louis Marksberry, Cincinnati  
 William Howard Martin, Columbus  
 John Graham Mason, Kettering  
 Joseph Craig Mathews, Columbus  
 Lawrence Samuel McAfee, Jr.,  
 Cincinnati  
 Dennis Michael McCarley, Wellston  
 Peter Christian McCoy, Columbus  
 Thomas Gregory McCulloch,  
 Ashtabula  
 David William McGuckin, Columbus  
 Curtis Edward McIntyre,  
 Sarasota, Fla.  
 Patrick Jay McLead, Delaware  
 Martin Michael McMullen,  
 Bellefontaine  
 John Jeffrey Meder, Columbus  
 John A. Melaszus, Vandalia  
 Howard Alan Metz, Lyndhurst  
 Terry Duane Miley, Marion  
 Robert Joseph Miller, Cincinnati  
 William Stephen Mitchell, Cleveland  
 James Anthony Modzelewski,  
 Chesterland  
 Steven Alan Moore, Columbus  
 Nicholas Alan Mytro, Willowick  
 Roger Allan Nedolast,  
 New Washington  
 Brett Work Nelms, Cadiz  
 Steven James Nemiroff,  
 Roslyn Heights, N. Y.  
 Joseph Riley Nicholson, Columbus

Marcus William Nickles, Cambridge  
 Michael James Norris, Zanesville  
 Mildred Mary Novak, Geneva  
 Michael Joseph O'Connor,  
 Worthington  
 Stewart Stoya Oljaca, Girard  
 Jack Harold Palmer, Defiance  
 Carl Harold Panke, Canton  
 Roy Eugene Parker, Columbus  
 Robert Eugene Pavelzik, Jr., Canton  
 Gerald Robert Peltier, Russia  
 Carl Scott Price, Parma Heights  
 Gregory Jonathan ProRock, Columbus  
 Amy Marie Purgert, Painesville  
 David Robert Purnell, Cincinnati  
 Richard Dale Purtell, Leesburg  
 Douglas Hildreth Pyle, Newark  
 Gary Lee Quick, Columbus  
 Kurt Alan Rapp, South Euclid  
 Dennis Michael Raybuck,  
 Painesville  
 David Allan Raymond, Gahanna  
 Leonard George Redeyoff,  
 Treviso, Pa.  
 Frederick Clark Redmann, Toledo  
 Roger Franklin Redmond, Jr., Belpre  
 Ronald Alan Reed, Caldwell  
 Christopher Reinhardt, Elyria  
 Frederick Joseph Reitter, Columbus  
 Ronald Hobart Ritts, Columbus  
 John Franklin Roberts, Columbus  
 Leonard Christopher Ross, Jr.,  
 Parma  
 Gary Allen Rozanczyk, Columbus  
 Rodney Kent Rudinger, Columbus  
 Philip Ronald Sabatino, Columbus  
 Mark Daniel Sabau, Warren  
 Joseph Thomas Schleter, Tiffin  
 Wilbur Allen Schmitt, Chardon  
 Neal Edward Schuckman, Cincinnati  
 James Joseph Schwalm, Jr., Berea  
 Thomas Robert Scribner, Ashville  
 Robert Monroe Searies, Sunbury  
 John Charles Seibert, Mansfield  
 Edwin Mitchell Shaffer, Worthington  
 Timothy Joseph Shanahan, Toronto  
 Philip Patrick Shellhorn, Columbus  
 Roger William Sherman,  
 McConnelsville  
 Charles William Shoemaker,  
 Kettering  
 Phyllis Jean Shonebarger, Lancaster  
 Gregory Herbert Shumaker,  
 Columbus  
 Robert Carl Siddall, West Salem  
 David Dorsey Simmons, Galion  
 David Wayne Sink, Jr., Columbus  
 Steven Wayne Snawley, Sidney  
 Kenneth Carter Snead, Jr., Columbus  
 Craig F. Speckman, St. Marys  
 Dennis Charles Speed, Cincinnati  
 Keith Leslie Stahl, Cincinnati

## College of Agriculture and Home Economics

Dean: Roy M. Kottman

Joseph Edward Stigler, Cincinnati  
Marlin LeRoy Stockwell, Pickerington  
Joseph Scott Streb, New Philadelphia  
Bradley Marsh Stubbs, Zanesville  
Raymond Steven Suchy, Parma  
James Richard Sullivan, Newark  
John Robert Sweitzer, Columbus  
Donald James Termeer, Dublin  
Fredrick Raymond Thompson, III,  
Lexington, Ky.  
Thomas Pride Tossey, Prospect  
Paul Jeffrey Trasin, Columbus  
David Lloyd Trotter, Alliance  
Benjamin Wayne Vance, Columbus  
John Richard VanDeMark,  
New Bremen  
Fred William VanKirk, Jr., Columbus  
Larry Dale VanWinkle, St. Louisville  
Michael Elliott Ward, Cambridge  
Todd Edwin Watkins, Columbus  
Robert Joseph Waugh, Springfield  
Ronald Jay Weade, Washington C. H.  
James Gregory Weber, Archbold  
Dennis John Wheeler, Ashtabula  
Benjamin David Wickemeier, Marion  
Robert Carl Wickstrom, Cincinnati  
William Lee Wiertz, Columbus  
Steven Lee Wilson, New Richmond  
Robert William Wirth, Cincinnati  
Thomas Avery Wolery, Findlay  
Dennis Keith Wynbrandt,  
University Heights  
Ronnie Donnell Yates, Cleveland  
Robert Alvin Young, Jr.,  
Reynoldsburg  
Mark Douglas Zeman, Parma Heights  
Kim Sidney Zimmerman, McDonald  
Ronald Steven Zukerberg,  
Paterson, N. J.

### School of Social Work

#### Bachelor of Science in Social Welfare

Seventeen candidates

Thomas Willard Ballentine, Columbus  
Ann Terese Bendig, Warren  
Bryce Bernard Bradford, Columbus  
Shelley Burnes, Columbus  
Sharon Lou Cunningham, Gahanna  
Nancy Lee Doctrow, Cincinnati  
Dennis Christopher Eshman, Marion  
Terri Cowan Hausman, Oberlin  
George Jay Holliman, Columbus  
Tommy Joe Lawson, Mt. Vernon  
Kenneth L. McClincy, Columbus  
Roslyn Ann Netler, Canton  
Robert Lee Pettus, Columbus  
Rosalyn Ellise Rosen, Lorain  
Meredith Hilary Sall, Hamilton  
Olen Blair Simon, Dayton  
Robert William Taylor, Mentor

#### Bachelor of Science in Agriculture

Forty-six candidates

Richard Michael Bednarski,  
Maple Heights  
Roger Frank Bender, Fort Loramie  
John James Bossick, Wintersville  
Robert Charles Bowen, Marion  
Ned Richard Buchenroth, Jr.,  
Huntsville  
Thomas Michael Cassidy, Portsmouth  
Richard Dale Cebula, Martinsville  
Jeffrey Lewis Conklin, Dayton  
Sitare Durupinar, Columbus  
Eileen Olda Enabnit, Akron  
John Stanley Gillilan, Columbus  
Gordon Mark Gilmore, Uhrichsville  
Gerald Joseph Glandorf, Stow  
Jan David Gustin, Brooklyn  
Robin Brooking Hastie, Cincinnati  
Kathie Ann Heller, Burton  
David Alan Hibjan, Pepper Pike  
Dean Delton Householder,  
Junction City  
Galen Lee Karl, Crestline  
James Bracken Kilpatrick, Warren  
Ezra Lee Kohli, Wauseon  
Rosemary Lacher, Delaware  
Evelyn Eileen Lavery, Akron  
David McCann, Akron  
Richard John McLaughlin, Conneaut  
Christine Louise McWhirter,  
Newton Falls  
Richard David Miller, Westerville  
Deborah Kay Moore, Pensacola, Fla.  
Dallas Edward Oberdick, Luckey  
Richard Allen Overcash, Dayton  
Dale Garret Rapp, Kenton  
Alton Francis Raymond, Columbus  
Kristine Kae Rickett, Ashland  
Donald Theodore Robinson,  
Mogadore  
\*Mary Katherine Santry, Columbus  
Roger Guy Scoles, Bluffton  
Gregory James Scott, Worthington  
Stephen Gregory Shrewsbury,  
Columbus  
Don Robert Smyers, Englewood  
Charles Daniel Spallinger, Lima  
William Joe Spiess, Liberty Center  
Michael Richard Steve, Parma  
Dann Sterling Timmons,  
Chagrin Falls  
Jeffrey George Wahl, Kenton  
Maryanne Wells, Toledo  
Edward Milton Winkler, Rittman

#### Bachelor of Science in Food Technology

Two candidates

Richard Dennis Cassidy, Warren  
Brent Jay Stombaugh, Lima

### School of Home Economics

#### Bachelor of Science in Home Economics

Forty-seven candidates

Joan Marie Baetz, Amherst  
Kathleen Marie Beebe,  
Cocoa Beach, Fla.  
Betty Jean Capoccia, Columbus  
Barbara Lynn Coleman, Columbus  
Lucie Doughten Davis, Columbus  
Cheryl Ann Fischer, Galion  
Joanne Sue Geithelm,  
Oceanside, N. Y.  
Deborah Erwin Grindell, Richwood  
Sharon Bruns Henry, Yorkshire  
Lynda Jenkins Heyl, London  
Mary Gretchen Hobart, Chagrin Falls  
Victoria Jane Hooker, Rocky River  
Kimberly Louise Humphreys, Lima  
Eleanor Pauline Hunter, Heath  
Christie Lee Ingram, Toledo  
Christine Marie Karpinski,  
Steubenville  
Constance Louise Kent, Lakewood  
Sue Ann Lampe, Dayton  
Marie Ann Mager, Lorain  
Mary Lou Martin, Marshallville  
Carol Elizabeth Marvin, Bucyrus  
Deborah Elaine Maurer, Botkins  
Diane Lee McGrath, Heath  
Margaret Elizabeth McMahan,  
Columbus  
Lena Carter Moheimani, Columbus  
Lerryn Monroe, Madison  
Nancy Hendricks Phillips, Maumee  
Jerri Rodenbeck Pittenger, Columbus  
Kathleen Nuzum Purcell, Columbus  
Carolyn Clair Sargeant, Monroeville  
Linda Susan Schueler, Cincinnati  
Linda Brandt Sherry, Plain City  
Christine Marie Skully, Solon  
Rhea Mora Slawter, Pomeroy  
Donna Dianne Smith, Mt. Gilead  
Wilma Grace Smith, North Canton  
Cynthia Ellen Soroka, Pittsburgh, Pa.  
Judy Kay Spencer, Columbus  
MaryEllen Sterba, Lakewood  
Leona Kristine Swank, Newark  
Mitchell Eugene Wagner,  
Reynoldsburg  
Judith Jackson Wheeland, Ashley  
Vickie Lea Willis, Fairborn  
Pamela Kay Winland, Pickerington  
Suzanne McCauley Wolfe, Delaware  
Debra Ann Zaccardelli, Berea  
Nancy Jo Zeisloft, Leipsic

\* Also Bachelor of Science in Education,  
College of Education

## College of Education

Dean: Frederick R. Cyphert

### Bachelor of Science in Restaurant Management

Three candidates

James Edwin Polsak, South Euclid  
Norman George Rahal, Chagrin Falls  
Rollin James Yanchar, Euclid

### School of Natural Resources

#### Bachelor of Science in Natural Resources

Twenty-eight candidates

Elizabeth Ames, Dayton  
Jay Stephan Armbruster, Columbus  
Ronald Lee Crunkilton, Columbus  
Jack Thomas Freda, Columbus  
Stephen Paul Graham, Columbus  
John Patrick Herman, Mansfield  
Benjamin Elden Hoover, Columbus  
Thomas Arthur Jacob, Reynoldsburg  
Marsha Bates Johnson, Columbus  
Steven Michael King, Columbus  
Stephen Edward Koch, Bellevue  
Dianna Pearl Lescollet, Newark  
Gary M. McDougle, Worthington  
Robert Harold Mooney, Columbus  
Michael Joseph Muska, Columbus  
Michael Keith Myers, Heath  
William Harry Niemeier, Jr., Dayton  
Joseph Henry Paul, Columbus  
James David Price, Ohio City  
Keith Reingold, Dayton  
James Robert Schriever, Cincinnati  
Michael David Smith, Frazeyburg  
Gregory Edward Taress, Columbus  
Sheldon J. Topolosky, Columbus  
Michael Francis Wolski, III,  
Massapequa Park, N. Y.  
Thomas Christy Wood, Columbus  
Mark Allen Young, Columbiana  
Yang Soo Yun, Columbus

### Agricultural Technical Institute—Wooster

#### Associate of Applied Science Degree

Two candidates

Meta M. Goodwin, Worthington  
Carolyn Halliwell Wilson,  
Pittsford, N. Y.

### Bachelor of Science in Education

Two hundred and nine candidates

Dennis Lee Allen, Mt. Vernon  
Patricia Anne Anatra, Crestline  
Michael Martin Andres, Hilliard  
Linda Williams Armbruster,  
Columbus  
Barbara Louise Badley, Columbus  
Caren Sue Baier,  
Fort Lauderdale, Fla.  
Carol Beth Barash, Columbus  
George Cameron Barcus, Mt. Vernon  
Debra Gray Bartman, Columbus  
Louis Carmen Basso, Columbus  
Theodore Ray Bauer, Columbus  
Catherine Keith Beard, Wapakoneta  
Douglas Eugene Beare, Worthington  
Anthony Carroll Beck, Lakeview  
Charlotte Ann Beck, North Olmsted  
B.A.  
Roger Thomas Beck, Columbus  
Karen Marie Bennett, Columbus  
Carol Lavaine Bethel, Gahanna  
James Russell Bettinger, Grove City  
Audrey Trapp Bevis, Richwood  
Jacqueline Lenora Bice, Columbus  
Dennis Booker, Cleveland  
Gary Michael Bosart, Columbus  
Michael Patrick Bowman, Columbus  
Gregory Eric Braun, Columbus  
Kathryn Bowman Brennan, Columbus  
Vivian Jean Briggs, Woodsfield  
Regina Long Brokaw, Bellville  
Raymond Michael Brown, Wintersville  
Jill Ellen Calhoun, Mansfield  
Helen Hazel Calland, Columbus  
Janet Lynne Cantion, Columbus  
Maureen Elizabeth Carroll, Dayton  
Clecia White Chappell, Columbus  
Ann Beth Clager, Columbus  
Janis Houdek Clayton,  
Harbor View Heights  
Dixon Bud Clement, Columbus  
Correl Don Cook, Fort Jennings  
Margaret Dudgeon Cooper, Lucas  
Rodney Hower Cosler, Xenia  
Audrey Waddington Cox, Columbus  
Teri Allyn Curtis, Urbana  
Mark Lawrence Cushman, Columbus  
John Dean Daulton, Columbus  
B.S.  
Jacqueline Marie Davis, Mantua  
Michele Louise Decker, Shadyside  
Linda Mead DeWitt, Delaware  
Richard Allen Doebie, Columbus  
Colleen Calvert Donaldson, Columbus  
John Aaron Dooley, Columbus  
Thomas William Egbert, Columbus  
Delmar Lee Elsner, Botkins  
Christine Reinstetle Ely, Columbus

Diane Gail Eplin, Columbus  
Debra Jeanne Erdmann, Columbus  
Karli Ann Erler, Toledo  
Elaine Alice Etwiler, Mansfield  
Bryan Lee Fishkind, Columbus  
Gale Forrest Fletcher, Marion  
Wendy Ellen Fliegel, Mansfield  
Paul David Ford, Hebron  
Virginia Lee Fornari, Bedford  
Jessica Lou Foster, Powell  
Linda Jeanne Freuler, Hamilton  
Joan Ackerman Frey, Columbus  
Nancy Mackin Geib, Columbus  
Norma Bradshaw Gilliam, Columbus  
Lois Kay Graham, Dayton  
Theresa Jane Handley, Dayton  
Rebecca Smale Haney, Columbus  
Peggy Overshiner Harrison,  
Mt. Victory  
Wayne Evan Harvey, Wilmington  
Jerry Lee Heinlen, Bucyrus  
Marjorie May Helwig, Hilliard  
Steven Lynn Heminger, West Liberty  
Robert Wendell Herber, Grove City  
Rex Richard Hicks, Highland Heights  
George Thorstein Hildahl, Columbus  
B.S., M.S. (University of  
Wisconsin)  
Steven Lee Hoch, Rawson  
Carol Craun Hock, Wickliffe  
Kathleen Louise Hohenberger,  
Columbus  
Lorraine Rothenbuhler Holycross,  
Columbus  
Denise Lynn Hooper, Findlay  
Sallie Hankins Hoover, Columbus  
Douglas Edward Hubbard, Columbus  
Susan Elise Hughes, Kenton  
Rosemary Osborn Hummel, Columbus  
B.A.  
Robin Whiting Jackson, Columbus  
Patricia Douglas James, Cleveland  
Cert. Grad. Dent. Hyg.  
Robert Wayne Jenkins, Marengo  
Janell John, Lima  
Norma Towsey Johnson, Lima  
Robert Alan Johnson, New London  
Joy Thomson Jones, Columbus  
Louise Spivey Joyner, Columbus  
Julie Ellen Kagy, Bucyrus  
Hanifah Kambon, Columbus  
George Joseph Keefer, Chagrin Falls  
Rosalie June Keller, Ada  
Carole Ann King, Steubenville  
Margaret Marie Kinkley, St. Marys  
John Quinby Kinton, Mansfield  
Joan Yoakam Kirby, Richwood  
Olive Richard Kirkpatrick, Heath  
Dee Ann Krauter, Canton  
Margaret Susan Kreaeger, Columbus

\* Also Bachelor of Arts,  
Colleges of the Arts and Sciences



\*Maureen Alice Krieski,  
Cleveland Heights  
Leslie Lucinda Lebold, Granville  
Debra S. Lemon, West Jefferson  
Linda Cole Lowell, Columbus  
James Michael Lytle, Grove City  
Joann Elizabeth Macy, Mansfield  
Peter Alexander Malashevitz,  
Columbus  
Sylvia Malcmacher,  
University Heights  
Cert. Grad. Dent. Hyg.  
Cynthia Simon Malecki, Columbus  
Rebecca Hoover Marple, Mansfield  
Judith Cassell Marshall, Lima  
Carol Ann Masters, Fresno  
Jerry Ritter McDonald, Reynoldsburg  
Wallace McDougald, Jr., Columbus  
John Austin Merrill, Cincinnati  
John Thomas Merwin, Marion  
George Alfred Miller, Gahanna  
B.A.  
Margaret Howell Miller, Lima  
Rebecca Hattie Miller, Mariemont  
Martha Sue Moll, Madison  
Michael Alan Moreland, Wren  
Michael Emerson Morton, Vandalia  
Sandra Foster Mullett, Coshocton  
Cheryl Denise Nash, Columbus  
Judith Clatterback Neely,  
Belle Center  
Jeri Joe Newell, Columbus  
Mary Ellen Rackett O'Kelly, Columbus  
Daniel Lee Oliver, Blanchester  
Mary Vogel Paisley, Washington C.H.  
James A. Pappas, Columbus  
Nancy Bressler Parker, Columbus  
Cathy Patricia Pekar, Columbus  
Kenneth William Peltier, Columbus  
Gordon Burton Peters,  
Thamesville, Ont., Canada  
Debra Jean Petrella, Mansfield  
Lawrence Edward Pieratt, Plain City  
Norma Jean Plahy, Columbus  
B.A.  
Mark William Poeppelman, Minster  
Karen Dunn Presler, Shelby  
Thomas Edward Pruden, Columbus  
Barbara Lewis Pugh, Columbus  
James William Purcell, Bellefontaine  
Susan Darlene Pyles, Cedarville  
Timothy Jay Rafferty, Columbus  
Judith Ann Ratzenberger, Gahanna  
Shirley Groscost Reiter, Mansfield  
Rebecca Jane Richards, Portsmouth  
Thomas Delmer Robey, Columbus  
Betty Carmen Rodriguez, Lakewood  
Brenda Parsell Rose, Alger  
Renee Elaine Rosenblum, Steubenville

Karen Lee Rossetter, Columbus  
Kathleen Linda Roth, Marion  
Bonnie Kay Saferstein, Akron  
\*\*Mary Katherine Santry, Columbus  
George Emanuel Sarantou, Toledo  
Darlene Sue Saulters, Columbus  
Jerome Clarkson Sayre, Burton  
David Marc Schottenstein, Columbus  
Stephanie Lynn Sharp, Columbus  
Alison Lee Sher, Columbus  
Donna Hurst Shkilevich, Columbus  
David Alan Shoemaker, Columbus  
Myrna Grimes Sidle, Newark  
Mary McKnight Simonds, Granville  
Linda Wood Sims, Columbus  
Suzanne Embree Sinclair, Columbus  
Nancy Jo Smilack, Columbus  
Jonathon Adam Smith, Mansfield  
Terri Nadalin Smith, Columbus  
John Irving Snouffer, Worthington  
Marianne Elizabeth Snyder, Newark  
Vicki Dennison Stewart, Bellville  
Sharon Curtis Strain, Fulton  
Nancy Jo Stranahan, Willoughby  
B.S.Agr.  
Mildred Cooper Surace, Columbus  
James Patrick Taylor, Marion  
Justine Caryl Tedrick, Columbus  
Jane Catherine Terhanko, Columbus  
Bonnie Brosius Tewksbury, Fairfield  
Shirley Thompson, Unionville Center  
Terry Lee Tope, Columbus  
Mariene Volbert Tussing, Lima  
Daniel Lee Vaia, Newark  
Richard Andrew Wair, Mansfield  
Myra Lou Walters, Columbus  
Rebecca Trame Watts, Columbus  
Camilla Jelm Weber, Akron  
Cert. Grad. Dent. Hyg.  
Cynthia Susan Weiss, Columbus  
Ruth Seese Wetsel, Columbus  
B.S.  
Patricia Shaner Weyand, Columbus  
Beverly Ann White, Cleveland  
Virginia Elizabeth Whitehead,  
Columbus  
Charles Christian Willmore,  
Westerville  
Shelia Maria Wilson, Cleveland  
Charlene Corrine Wing, Columbus  
Don Edward Wolery, London  
Douglas Eugene Wynn, Columbus  
Sylvia Chen Yang, Columbus  
B.Sc. (National Taiwan  
University) ; M.Sc. (McMaster  
University, Canada)

James Larry York, Columbus  
Donald Leo Young, Columbus  
Mark Alan Zocolo, Salem  
Donald Myles Zucker,  
Englewood Cliffs, N. J.

**Bachelor of Art Education and  
Bachelor of Music Education  
degree are offered jointly by the  
College of The Arts and the  
College of Education  
Candidates are listed on page 33**

\* Also Bachelor of Arts,  
Colleges of the Arts and Sciences  
\*\* Also Bachelor of Science in Agriculture,  
College of Agriculture and Home Economics

## College of Engineering

Dean: Harold A. Bolz

### Bachelor of Science in Aeronautical and Astronautical Engineering

One candidate

Angelo Joseph Spadaro, Perkasie, Pa.

### Bachelor of Science in Agricultural Engineering

One candidate

Philip John Smucker, Archbold

### Bachelor of Science in Ceramic Engineering

Two candidates

Peter John Dour, Columbus  
Anthony Joseph Gamble, Columbus

### Bachelor of Science in Chemical Engineering

Three candidates

Hernan Gualberto Bravo, Columbus  
F. Daniel Linton, Jr., Dayton  
Robert James Weaver, Columbus

### Bachelor of Science in Civil Engineering

Three candidates

Ebrahim-Khalil Mohammadi-Ziazi, Tehran, Iran  
Robin C. Rocklin, Dayton  
Thomas Michael Weidinger, Ashland

### Bachelor of Science in Computer and Information Science

Six candidates

David Alan Fleischer, Columbus  
Roger Michael Johnson, Akron  
Grayden Lee Obenour, Columbus  
Lee Andre Ritze, Cincinnati  
James Lee Steck, Brookville  
Thomas Eugene Wagner, Mansfield

### Electrical Engineer

One candidate

John Paul Kelly, Greensboro, N.C.  
B.S.E.E. (University of Kentucky)

### Bachelor of Science in Electrical Engineering

Nine candidates

Richard John Badzik, Columbus  
B.S. (Massachusetts Institute of Technology)  
Karl Brandel, Parma Heights  
Henry Stephen Eilts, Columbus  
B.S.  
John Allen Kramer, Newark  
Steven Daniel Krempel, Mansfield  
Larry Gordon Moore, Grove City  
Daniel Howard Rose, Columbus  
Robert Dee Schultz, II, Westerville  
Ali Zolfagharipoor, Tehran, Iran

### Bachelor of Science in Industrial and Systems Engineering

Three candidates

Keith Allen Ferguson, Kettering  
Thomas Donald Skilliter, Columbus  
Kenneth Charles Wasik, Independence

### Mechanical Engineer

One candidate

Charles Raymond King, Columbus  
B.S. (Rutgers—The State University)

### Bachelor of Science in Mechanical Engineering

Seven candidates

Robert Allen Anderson, Willa Hills, Ky.  
Larry Gene Fowis, Newark  
Craig Leon Harris, Columbus  
Arie Lipski, Givataim, Israel  
James Richard Moser, Parma Heights  
William Lawrence Thaman, Botkins  
James Chester Wahl, Columbus

### Bachelor of Science in Metallurgical Engineering

One candidate

John Fredrick Sykes, Oswego, N. Y.

### Bachelor of Science in Welding Engineering

Two candidates

Gary Lee Clement, Kenton  
Allen W. Sindel, Columbus

### School of Architecture

#### Bachelor of Science in Architecture

Ten candidates

Jerome William Amato, Columbus  
Stayner Richard Brighton, Columbus  
Timothy Carl Ish, Columbus  
Thomas John Kellett, Columbus  
Raymond Franklin Kogan, Columbus  
Thomas John McIntosh, Youngstown  
Steven Everett Phillips, Ashville  
David Carroll Price, Columbus  
Richard T. Robinson, Columbus  
Joseph Andrew Yank, Youngstown

#### Bachelor of Science in Landscape Architecture

Three candidates

Paul Joseph Borden, Jr., Newington, Conn.  
William Francis Pedley, Shaker Heights  
Douglas Lee Sharp, Peoria, Ill.

## College of Medicine

Dean: Henry G. Cramblett, M.D.

### Doctor of Medicine

#### Eight candidates

Stephen Louis Demeter,  
North Royalton  
B.A. (University of South Florida)

Thomas Craig Franklin, Columbus  
A.B. (Harvard College)

Thomas John Gordon, Euclid  
A.B. (Case Western Reserve  
University)

John Timothy Kane, Canton  
B.A. (Kent State University)

Kenneth Robert Parker,  
East Meadow, N. Y.  
B.A. (University of Pennsylvania)

Nash Ray Uebelhart, Canton  
B.S.

James Everett Witherell, Jr.,  
Brookville  
B.S.

Hsushi Yeh, Columbus  
B.S.

### School of Allied Medical Professions

#### Bachelor of Science in Allied Health Professions

#### Forty-seven candidates

Shirley Scheiderer Alexander,  
Westerville

Connie Sue Altman, Findlay  
Beth Ann Bash, Pickerington

Dora Mae Birkhimer, Columbus

Lois Ann Borin, Cincinnati

Peggy Ann Buchanan, Piqua

Cynthia Bush, Independence

Janet Ruth Pooles Conley, Waverly

Catherine Ann Cotterman, Bryan

Linda Faye Craft, Fredericktown

Ronald Leroy Deis, Columbus

Diane Marie Delahunty, Warren

Teresa McCollister Dole, Columbus

Debra Lynn Edwards, Coraopolis, Pa.

Charlotte Elizabeth Exner,  
Jacobsburg

Margaret Sue Frazier, Grove City

Carol Marie Frederick, Lorain

Nancy Alice Galbreath, Troy

Dennis James Garman, Wickliffe

Patricia Louise Gosse, Cincinnati

Mary Jane Gregory, Columbus

Sheryl Linn Havens, Van Wert

Paul Francis Heiland, Kettering

Christine Marie Huy, Cincinnati

Sharon Louise Janning, Dayton

Shandra Kay Johnson,  
Commerce City, Colo.

Cheryll Gerson Joseph,  
University Heights

Valerie Joy Kramer, Marysville

Rebecca Jill Kuhlwein, Columbus

Lynne Hofelich Liu,  
Middleburg Heights

Dorothy Ellen Mason, Blacklick

Donald Francis May, Westlake

Francee Patrice Miller, Dayton

Molly Marie Mowbray, Portsmouth

Barbara Ellen Nettleship, Columbus

Maryrose Pidroni, Lakewood

Dixie Lee Pollock, Fort Pierce, Fla.

Kathryn Ann Prater, Centerville

Patricia Anne Rybak, Columbus

Theresa Marie Scarpitti, Columbus

Catherine Mills Sigler, Columbus

Susan Garver Stose, Marion

Susan Joy Swisher, Findlay

Emke Hammond Templeton,  
Columbus

Nancy Claire Tuttle,  
Williamstown, Ky.

Constance Anderson Walters,  
Lake City, Fla.

Denise Sharon White, Granville

#### Certificate of Nurse Anesthetist

#### Five candidates

Joanne Toth Bradley, Mansfield

Margaret Louise Fletcher, Columbus

Carol Dobson Harris, Wadsworth

Carol Brooks Smith, Columbus

Wendy Lee Wolf, Elkhart, Ind.

#### Certificate of Post Baccalaureate Medical Technologist

#### Two candidates

Mary Lou Elliott, Marion

B.S.

Mary Payton Grose, Columbus

B.S. (Marietta College)

#### Certificate of Post Baccalaureate Physical Therapist

#### Twenty candidates

Gerald Wayne Bell,  
Crawfordsville, Ind.

B.S. (Ball State University);

M.Ed. (University of Arizona)

Anna Jean Duva, Youngstown  
B.A.

Eileen Francis Farrell, Lakewood

B.S. (Ashland College)

Jane Anne Firak, Brecksville

B.A.

Stephen Moler Haley, Columbus

B.S.

Larry Richard Hamrick, Columbus

B.S.

Katherine Reed Hartson,  
Cleveland Heights

B.S.

Mark Edward Holteroff, Wayne, N. J.

B.S.Ed. (Ohio University)

Pearl Teresa Johnson, Cincinnati

B.S. (Ohio University)

Joyce Margaret Keller, Cincinnati

B.S. (University of Cincinnati)

Wendy Marie King, Columbus

B.A. (Ohio University)

Diane Pierson Matsui, Columbus

B.A. (Ohio Wesleyan University)

Patricia Ann Maughlin, Columbus

B.S.Ed.

Paul Byron Mullins, Columbus

B.S.Ed. (Ohio University)

Stacy Ann Provost, Aurora

B.A. (Bowling Green State  
University)

John Ronald Reidenbaugh, Columbus

B.S. (Kent State University)

Kenneth Ray Rusche, Reading

B.S.Ed. (Ohio University)

Susan Marie Smelker, Columbus

B.S. (Bowling Green State  
University)

Jerald Lynn Starkey, Minerva

B.S.Bus.Adm.

Sara Canfield Vollmer, Columbus

B.S. (Ohio University)

### School of Nursing

#### Bachelor of Science in Nursing

#### Three candidates

Michael Wayne Hagley, Zanesville

Donna Mary Harper, Wadsworth

Carol Lothamer, North Canton

## Graduates With Honors

### Summa cum laude

Richard John Badzik, Columbus  
Gerald Keith Chapman, Columbus  
Kay Hill Frederick, Urbana  
Benjamin Arthur Furman,  
Worcester, Mass.  
Steven Michael Genshaft, Canton  
Theresa Jane Handley, Dayton  
Nancy Louise Hendrickson, Cleveland  
Carol Craun Hock, Wickliffe  
Lorraine Rothenbuhler Holycross,  
Columbus  
Margaret Susan Kreager, Columbus  
Mary Lou Martin, Marshallville  
Deborah Elaine Maurer, Botkins  
Martha Anne Mors, Worthington  
Rita Jeanne Nussbaum, Beachwood  
Joan Ellyn Plungis, Cincinnati  
Bertina M. Povenmire, Columbus  
Nancy Elise Powell, Shaker Heights  
Nancy Jo Stranahan, Willoughby  
Fred William VanKirk, Jr., Columbus  
Benjamin D. Wickemeier, Marion  
Robert William Wirth, Cincinnati

### Summa cum laude and with Distinction in Art Education

Daniel Charles Kirk, Columbus

### Summa cum laude and with Distinction in Economics

Gary Clark Biddle, Columbus

### Summa cum laude and with Distinction in History

Natalie Hull Hoffer, Cambridge, Mass.

### Summa cum laude and with Distinction in Psychology

Elizabeth Louise Bell, Columbus

### Cum laude

Richard Michael Bednarski,  
Maple Heights  
Karen Marie Bennett, Columbus  
Judith Amy Borodkin, Akron  
Audrey Marie Christmas,  
Maple Heights  
James Gregorie Cole, Logan  
Margaret Dudgeon Cooper, Lucas  
Philip Michael Curtis, Columbus  
Teri Allyn Curtis, Urbana  
Jacqueline Marie Davis, Mantua

Michael Curtis Davis, Aiea, Hawaii  
Diane Marie Delahunty, Warren  
Jeri Leigh Diehl, Columbus  
Linda Ann Elwood, Blacklick  
Charlotte Elizabeth Exner,  
Jacobsburg

Thomas S. Finton, Findlay  
Gale Ann Forrest Fletcher, Marion  
Richard Anthony Fontaine, Columbus  
Virginia Lee Fornari, Bedford  
Richard Ellis Frichette,  
Strongsville

Paul Gene Gesler, Pandora  
Patricia Louise Gosse, Cincinnati  
Lois Kay Graham, Dayton  
Robert Don Grimm, Hinckley  
Jeri Anne Hamblin, Worthington  
Rebecca Smale Haney, Columbus  
Robin Whiting Jackson, Columbus  
Galen Lee Karl, Crestline  
James Arthur Knupp, Lima  
Debra S. Lemon, West Jefferson  
Dianna Pearl Lescalleet, Newark  
Gary M. McDougle, Worthington  
John Austin Merrill, Cincinnati  
William Stephen Mitchell, Cleveland

Lerryin Monroe, Madison  
Kathy May Morland, Grove City  
Michael George Litke,  
Middleburg Heights  
Phyllis Friesner Newton,  
Worthington

Jack Harold Palmer, Defiance  
Nancy Badley Paulk, Columbus  
John David Phillips, III, Columbus  
Cathy Susan Reid, Columbus  
Robert William Richwine, Jr.,  
Columbus

Lee Andre Ritze, Cincinnati  
Brenda Parsell Rose, Alger  
Karen Cecilia Birgitta Ryding,  
Stuebenville

Mary Lynn Sattelmeyer, Kirtland  
James Stephen Smith, Columbus  
Cynthia Ellen Soroka,  
Pittsburgh, Pa.

Justine C. Tedrick, Columbus  
Shirley Thompson, Unionville Center  
Timi Jane Townsend, Columbus  
Larry Dale VanWinkle,  
St. Louisville  
Robert Alvin Young, Jr.,  
Reynoldsburg

### With Distinction in Comparative Literature

Mark Alan Parsons, Columbus

### With Distinction in Dairy Science

Eileen Olda Enabnit, Akron

### With Distinction in Geography

Evelyn Carole Anderson, Springfield

### With Distinction in Mathematics

Howard David Rees, Columbus

THE OHIO STATE UNIVERSITY  
OFFICIAL PROCEEDINGS OF THE  
ONE THOUSAND ONE HUNDRETH MEETING  
OF THE BOARD OF TRUSTEES

Columbus, Ohio, September 6, 1974

The Board of Trustees met at its regular monthly meeting on Friday, September 6, 1974, at The Ohio State University Fawcett Center for Tomorrow, Columbus, Ohio, pursuant to adjournment.

Present: William C. Safford, Chairman, Don M. Hilliker, John H. Dunlap, M. Merle Harrod, John L. Gushman, Howard D. Sirak, Patricia D. James, Chester Devenow, and John W. Kessler.

\*

\*

\*

Minutes of the last regular meeting (July 12, 1974) and the special meeting (August 16, 1974) were approved.

\*

\*

\*

RESOLUTIONS IN MEMORIAM

President Enarson reported to the Board the deaths of Lucile B. Alexander, Professor Emeritus in the School of Home Economics; Charles A. Haas, Professor Emeritus in the Cooperative Extension Service; Herbert G. Mote, Associate Professor Emeritus in the College of Optometry; and Claud R. Neiswander, Professor Emeritus in the Department of Entomology. In accordance with the instructions of the Board of Trustees, copies of the following resolutions expressing on behalf of the University the sorrow and sympathy of the Board will be furnished the families of the deceased.

A. Lucile B. Alexander

The Board of Trustees of The Ohio State University expresses its sorrow at the death on July 8, 1974, of Lucile B. Alexander, Professor Emeritus in the School of Home Economics.

Miss Alexander joined the faculty at The Ohio State University in 1946. Prior to that time she had served in the public schools of Montana, 1934-1939, and in home economics education at Montana State College, 1939-1945.

Miss Alexander received her bachelor's degree in home economics from Montana State College in 1938 and a master's degree from University of Minnesota in 1946. She did advanced graduate work at Iowa State College and Cornell University.

In her 27 years at The Ohio State University, Miss Alexander received many honors in recognition of her position as a teacher, adviser, and friend. She was tapped for Alpha Lambda Delta, 1949; Mortar Board, 1952; Mirrors, 1955; Chimes, 1959; and received the meritorious Service Award of the College Council, 1964; and the Alfred J. Wright Award, 1965.

Miss Alexander received recognition from both faculty members and students for her leadership in the area of student guidance. She also served as co-adviser to the Agriculture and Home Economics College Council for 16 years; adviser to Alpha Lambda Delta, 13 years; and adviser to The Ohio State University Chapter of the American Home Economics Association, 16 years.

On behalf of the University, the Board of Trustees expresses to the family its deep sympathy and sense of understanding in its loss. It was directed that this resolution be inscribed upon the minutes of the Board of Trustees and that a copy be tendered to the family as an expression of the Board's heartfelt sympathy.

B. Charles A. Haas

The Board of Trustees of The Ohio State University expresses its sorrow at the death on July 10, 1974, of Charles A. Haas, Professor Emeritus in the Cooperative Extension Service.

RESOLUTIONS IN MEMORIAM (continued)

B. Charles A. Haas (continued)

Mr. Haas was born April 26, 1911, in Tuscarawas County at Strasburg, Ohio. He attended high school in Tuscarawas County graduating in 1929. A Bachelor of Science in Agriculture degree was received from The Ohio State University in 1933. Graduate education was completed at Cornell University with a Master of Science degree awarded in 1952.

Mr. Haas joined the faculty of The Ohio State University as an Acting County Agent in Stark County, Ohio, in July of 1934. He served in this capacity until 1935 when he moved to Portage County as an Assistant County Agent, Agriculture, and then on to Geauga County in March of 1936. On January 1, 1950, he was named District Supervisor of the Ohio Cooperative Extension Service with responsibility for the Northeast District. From late 1964 until the time of his retirement on January 31, 1970, he served in the position of Assistant State Leader, Personnel. He had held the academic rank of Professor since 1958. Mr. Haas was a dedicated and highly respected agricultural leader first in the eyes of people of Geauga and surrounding counties and then by his peers throughout the Ohio Cooperative Extension Service faculty. Mr. Haas was highly people oriented and served with both enthusiasm and distinction in every position which he held. He will long be remembered for his outstanding contributions to educational programs conducted at The Ohio State University through the Cooperative Extension Service.

On behalf of the University community, the Board of Trustees expresses to the family of Mr. Haas its deepest sympathy. It was directed that this resolution be inscribed in the minutes of the Board of Trustees and copies be tendered to Mrs. Haas and daughter, Janet Johnson, and son, William Haas, as sincere appreciation of the Board's realization of the loss to the family, University, and his many friends and associates.

C. Herbert G. Mote

The Board of Trustees of The Ohio State University expresses its sorrow at the death on August 15, 1974, of Herbert G. Mote, Associate Professor Emeritus in the College of Optometry.

Born March 26, 1903, in Arcanum, Ohio, Dr. Mote first received the B.S. degree from the University of Akron in 1928. He received his degree in optometry from The Ohio State University in 1935 with honors. He was the first optometry student to receive the Epsilon Psi Epsilon Professional Optometric Fraternity Junior Merit Award, which on his retirement in 1973 was renamed the Herbert G. Mote Award by the fraternity.

Following graduation, he was one of three students to inaugurate the graduate program in physiological optics. He received the M.S. degree in 1938.

Professor Mote was a member of the faculty in optometry on a half-time basis from 1936 through 1961, while also maintaining a part-time practice of optometry in Columbus. In 1961 he closed his practice and became a full-time member of the faculty. He retired July 1, 1973.

RESOLUTIONS IN MEMORIAM (continued)

C. Herbert G. Mote (continued)

Professor Mote was President of the Ohio Optometric Association from 1949 through 1951. During his service on the OOA Board, \$108,000 was collected toward the initial phase of the Optometry Building. From 1959 through 1961 he served as President of the Association of Schools and Colleges of Optometry.

Professor Mote served for fourteen years on the University Placement Committee, two years as its Chairman. He was a Fellow of the American Academy of Optometry and a member of the American Optometric Foundation, the Ohio Optometric Association, the American Optometric Association, the Midwest College Placement Association, the Faculty Club, and the Indianola Presbyterian Church.

The father of three daughters, he was active for many years on the Board of Trustees of the Columbus and Franklin County Council of Camp Fire Girls, and was a past President. He was a former member of the Columbus Recreation Commission and for many years served as vision consultant to the Ohio State Highway Patrol. In 1969 he received an honorary badge of Captain in the Highway Patrol.

On behalf of the University community, the Board of Trustees expresses to the family of Dr. Mote its deepest sympathy. It was directed that this resolution be inscribed in the minutes of the Board of Trustees and that a copy be tendered to Mrs. Mote as sincere appreciation of the Board's realization of the loss which the family, the University, and his many friends and associates have sustained.

D. Claud R. Neiswander

The Board of Trustees of The Ohio State University expresses its sorrow at the death on June 19, 1974, of Claud R. Neiswander, Professor Emeritus in the Department of Entomology.

Dr. Neiswander was born in Hancock County, Ohio, on March 6, 1893. He was a high school teacher of Latin and mathematics and in 1913 he was made principal of Arlington High School. He served in the U. S. Army in World War I with a medical detachment in France. After receiving an honorable discharge in 1919, he enrolled at The Ohio State University where he was elected to Phi Beta Kappa and graduated summa cum laude in 1922. He received his M. S. degree in 1923 and a Ph. D. degree in 1926 from the same institution.

Dr. Neiswander was first employed at the Experiment Station in Wooster, Ohio, in 1932 and became Associate Chairman in the Department of Entomology in 1948. He served in this capacity until 1961 when he retired. His administration was characterized by an unselfish devotion to duty and to the implementation of the research of his staff.



RESOLUTIONS IN MEMORIAM (continued)

D. Claud R. Neiswander (continued)

His membership in professional societies included the American Association for the Advancement of Science, Sigma Xi, The Ohio Academy of Science, The Entomological Society of America, and The North Central Branch of The Entomological Society of America, serving as President of the Branch in 1951.

Dr. Neiswander was best known for his research on the European corn borer and other corn insects. He also published widely on many other pest species. His pioneering work in the use of selenium as a systemic acaricide led to the first commercial use of systemics in the history of economic entomology.

On behalf of the University, the Board of Trustees expresses to the family its deep sympathy and sense of understanding in its loss. It was directed that this resolution be inscribed upon the minutes of the Board of Trustees and that a copy be tendered to the family as a humble expression of the Board's heartfelt sympathy in its bereavement.

\*

\*

\*

President Enarson presented the following recommendations:

I. GENERAL RECOMMENDATIONS

A. Use of University's Name and Seal

Action was initiated in November, 1973 by the Vice President for Business and Administration to cause to be registered with the United States Patent Office the name and seal of The Ohio State University, as a means of establishing control over the use of the University's name and seal by persons or organizations not associated with the University or with the State of Ohio.

In so doing the University may now control the use of its name and seal to (1) prevent any use that reflects unfavorably on the University, and (2) provide a supplement to this University's scholarship funds from all funds received through the licensing of the University's name and seal.

President Enarson recommended that the program for the controlled use of the University's name and seal as described be authorized and implemented.

Upon motion of Mr. Hilliker, seconded by Mr. Harrod, the Board of Trustees approved the foregoing recommendation by unanimous roll call vote.

B. Traffic and Parking Regulations -  
The Ohio State University

On June 10, 1965, at the request of the University's administration, this Board established the "Motor Vehicle, Traffic, and Parking Regulations of The Ohio State University." At subsequent meetings of the Board these

I. GENERAL RECOMMENDATIONS (continued)

B. Traffic and Parking Regulations -  
The Ohio State University (continued)

Regulations were amended to include branch campuses of the University and incorporated regulations for control of watercraft. Further actions adopted a code for vehicular traffic on certain streets and areas, modified fees for parking permits, and provided for registration of a second motor vehicle and assessment of a per diem fee for visitors to park in traffic control area.

The Board is now being requested to approve additional revisions in the "Motor Vehicle, Traffic, and Parking Regulations of The Ohio State University" relating to the traffic and parking regulations on the campus, clarification of the authority of the Board of Trustees in traffic and parking matters, establishment of guidelines for safe operation of bicycles on campus, the schedule of assessments for parking infractions and the appeals procedure for persons in violation of the parking and traffic regulations.

President Enarson recommended that this "Revised Motor Vehicle, Traffic, and Parking Regulations of The Ohio State University" be approved as amended and become effective upon the filing of this document with the Secretary of State of Ohio in accordance with Ohio Revised Code Section 3345.21, and that a copy be filed with the official records of the Board of Trustees.

Upon motion of Mr. Dunlap, seconded by Dr. Sirak, the above recommendation was approved by unanimous roll call vote.

C. Establishment of a Chair in Radiology in the College of Medicine

President Enarson recommended that a Chair in Radiology in the College of Medicine be designated in accordance with the wishes of a donor who prefers to remain anonymous and pursuant to an action by the Board of Trustees of The Ohio State University approved on March 3, 1972.

The donor has agreed that this Chair should be funded from income derived from deposits made in the form of a revocable trust on September 15, 1971. The income from this trust will provide sufficient funds to support the Chair in Radiology on an annual basis and may eventually be used to permanently endow this Chair.

The purpose of this Chair in Radiology shall be for the teaching of radiology, for the enhancement of research in radiology and for the development of clinical learning experiences in radiology, but is not necessarily limited to these three areas of radiology. Funds provided for the support of this Chair can be used for purposes of salary and program support.

I. GENERAL RECOMMENDATIONS (continued)

C. Establishment of a Chair in Radiology in the College of Medicine (continued)

At some future date, at the donor's wish, the Chair may be named in the donor's honor.

Upon motion of Mr. Dunlap, seconded by Mr. Kessler, the Board of Trustees by unanimous voice vote approved the establishment of a Chair in Radiology in the College of Medicine.

\*

\*

\*

II. PERSONNEL ACTIONS

A. Interim Assignment of Responsibility

President Enarson made the following recommendation:

With the departure of Robert G. Smith, Vice President for University Development, on August 31, 1974, I have chosen to assign this administrative responsibility to the Office of the President on an interim basis rather than appoint an Acting Vice President for University Development. I hope to report to you further on this matter within the next month or two.

Personnel actions since the July 12, 1974 meeting of the Board, as recorded in the official "Salary Roll" of the University, include the following Appointments, Retirement, Leaves of Absence Without Salary, and Emeritus Titles:

B. Appointments

J. Osborn Fuller, Director of Evening and Part-time Programs in the Office of Academic Affairs, and Special Assistant to the President in the Office of the President, effective September 1, 1974, at a salary of \$36,168.00 per annum.

Edward C. McDonagh from Professor and Chairman of the Department of Sociology, to Acting Dean of the College of Social and Behavioral Sciences, effective October 1, 1974, at a salary of \$34,008.00 per annum.

William R. Wallace from Associate Dean and Professor in the College of Dentistry to Acting Dean and Professor in the College of Dentistry, effective October 1, 1974, at a salary of \$37,008.00 per annum.

Osborn T. Smallwood from Director of International Programs in the Office of Academic Affairs to Assistant Vice President for International Programs in the Office of Student Services, effective September 1, 1974, at a salary of \$28,848.00 per annum.

II. PERSONNEL ACTIONS (continued)

B. Appointments (continued)

Joseph Landin, Professor and Chairman of the Department of Mathematics, effective January 1, 1975, at a salary of \$34,728.00 per annum.

James E. Kerber from Associate Professor in the Academic Faculty of Early and Middle Childhood Education to Associate Professor and Acting Chairman of the Academic Faculty of Early and Middle Childhood Education, effective October 1, 1974, at a salary of \$17,688.00 per annum with supplemental allowance of \$100.00 per month during the time he serves as Acting Chairman.

Claude R. Sowle, Professor in the College of Law, effective September 1, 1974, at a salary of \$31,278.00 per annum.

C. Retirement

John R. Wilson will retire as Dean of the College of Dentistry, effective September 30, 1974, to engage in the private practice of dentistry.

D. Leaves of Absence Without Salary

William A. Bruce, Professor, College of Dentistry, effective August 1, 1974 through August 31, 1974, for personal reasons.

Oscar R. Dathorne, Professor, Departments of Black Studies and English, effective October 1, 1974 through September 30, 1975, to accept a grant from the National Endowment for the Humanities to engage in research.

Harold Goldman, Professor, Departments of Psychiatry and Pharmacology, effective July 1, 1974 through June 30, 1975, to work at Wayne State University.

Lloyd A. Horrocks, Professor, Department of Physiological Chemistry, effective August 16, 1974 through August 15, 1975, to serve as a Macy Faculty Scholar at the University of Strasbourg.

Stanley Laughlin, Jr., Professor, College of Law, effective October 1, 1974 through December 31, 1974, to serve as Visiting Professor at the University of Hawaii, School of Law.

Ann S. Bardwell, Associate Professor, School of Home Economics, effective August 8, 1974 through August 30, 1974, for personal reasons.

September 6, 1974 meeting, Board of Trustees

II. PERSONNEL ACTIONS (continued)

D. Leaves of Absence Without Salary (continued)

Richard Milum, Assistant Professor, Lima Campus, effective October 1, 1974 through September 30, 1975, to accept a National Endowment for the Humanities Fellowship at the School of Business Administration, Harvard University.

Merritt Roe Smith, Assistant Professor, Department of History, effective October 1, 1974 through September 30, 1975, to accept a Harvard-Newcomen Postdoctoral Fellowship at the School of Business Administration, Harvard University.

E. Emeritus Titles

James R. McCoy, College of Administrative Science - Administration, with the title Dean Emeritus, effective September 1, 1974.

John R. Wilson, College of Dentistry, with the title Dean and Professor Emeritus, effective October 1, 1974.

Marie M. Dirks, School of Home Economics, with the title Professor Emeritus, effective September 1, 1974.

Margaret A. Mordy, School of Health, Physical Education, and Recreation, with the title Professor Emeritus, effective October 1, 1974.

Paul F. Pulse, Department of Agricultural Education, with the title Instructor Emeritus, effective July 1, 1974.

President Enarson recommended that the Appointments, Retirement, Leaves of Absence Without Salary, Emeritus Titles, and personnel budget actions as recorded in the "Salary Roll" of the University be approved.

Upon motion of Mr. Devenow, seconded by Dr. Sirak, the Board of Trustees approved the foregoing recommendation by unanimous roll call vote, and the Secretary was instructed to file these changes in the "Salary Roll," an official document of the University.

\*

\*

\*

September 6, 1974 meeting, Board of Trustees

III. REPORT OF RESEARCH CONTRACTS, GRANTS, GIFTS, AND AGREEMENTS

ANNUAL SUMMARY

(July 1, 1973 - June 30, 1974)

OFFICE OF BUSINESS AND ADMINISTRATION

	Number of Projects	Level of Support	% Change from 1972-73
<u>Federal</u>			
Student	33	\$ 6,421,722.00	(7)
Training Grants	<u>173</u>	<u>17,361,138.00</u>	(20)
Total - Federal	206	\$23,782,860.00	(17)
<u>State of Ohio</u>	43	3,465,096.22	255
<u>Industrial and Other</u>	<u>39</u>	<u>1,468,168.60</u>	<u>129</u>
Totals	288	\$28,716,124.82	(5)

THE OHIO STATE UNIVERSITY RESEARCH FOUNDATION

	Number of Projects	Level of Support	% Change from 1972-73
<u>Federal</u>			
U. S. Atomic Energy Com- mission	12	\$ 586,079.00	29
National Aeronautics and Space Administration	22	733,515.00	47
National Science Foundation	79	2,490,618.00	(29)
Department of Defense	73	2,640,020.00	5
Health, Education, and Welfare	145	8,331,360.03	(14)
Other Federal	<u>61</u>	<u>2,933,677.47</u>	<u>(20)</u>
Total Federal	392	\$17,715,269.50	(13)
<u>State of Ohio</u>	16	473,525.00	23
<u>Industrial, Subcontracts, and     Other Non-Federal</u>	<u>157</u>	<u>6,188,371.75</u>	<u>148</u>
Totals	565	\$24,377,166.25	5

III. REPORT OF RESEARCH CONTRACTS, GRANTS, GIFTS, AND AGREEMENTS  
(continued)

ENGINEERING EXPERIMENT STATION

	Number of Projects	Level of Support	% Change from 1972-73
<u>Federal</u>	20	\$ 117,532.00	(21)
<u>State of Ohio</u>	24	616,266.00	29
<u>Industrial and Other</u>	305	<u>1,412,600.00</u>	<u>188</u>
Totals	349	\$ 2,146,398.00	92

THE OHIO STATE UNIVERSITY DEVELOPMENT FUND

	Number of Donors	Level of Support	% Change from 1972-73
<u>Annual Giving Group</u>	<u>32,601</u>	\$ <u>713,876.96</u>	<u>7</u>
<u>Major Resources Group</u>			
Major Individual Gifts	774	2,987,940.13	11
Corporate Gifts	410	1,017,466.63	(12)
Foundation and Non- Profit Organization Gifts	<u>476</u>	<u>1,280,218.47</u>	<u>(10)</u>
Total	<u>1,660</u>	\$ <u>5,285,625.23</u>	<u>0</u>
Totals	34,261	\$ 5,999,502.19	1

III. REPORT OF RESEARCH CONTRACTS, GRANTS, GIFTS, AND AGREEMENTS  
(continued)

President Enarson recommended that the following contracts and grants negotiated and monies received for the months of June and July be accepted.

Summary for June 1974

	No. of Projects	Support Level
Office of Business and Administration	49	\$ 7,968,331.28
The Ohio State University Research Foundation	74	2,279,166.00
The Engineering Experiment Station	3	<u>43,765.00</u>
		\$10,291,262.28
(Donors)		
The Ohio State University Development Fund	5,268	\$ 797,985.48

Summary for July 1974

	No. of Projects	Support Level
Office of Business and Administration	13	\$ 445,194.00
The Ohio State University Research Foundation	51	4,003,861.00
The Engineering Experiment Station	10	<u>160,254.00</u>
		\$ 4,609,309.00
(Donors)		
The Ohio State University Development Fund	2,990	\$ 672,792.46

A detailed listing of the items in each section is shown on the following pages.

Upon motion of Mr. Gushman, seconded by Mr. Dunlap, the research agreements between The Ohio State University and The Ohio State University Research Foundation for the contracts and grants reported herein, and the acceptance of the report from the Office of Business and Administration and The Ohio State University Development Fund, including the establishment of named funds, was approved by unanimous voice vote.



III. REPORT OF RESEARCH CONTRACTS, GRANTS, GIFTS, AND AGREEMENTS  
(continued)

A. Office of Business and Administration

1. Federal Contracts/Grants

- a. \$1,828,713.00 granted by Department of Health, Education, and Welfare, Public Health Service, Bethesda, Maryland, for Health Professions Capitation Grant Program, under the direction of College of Medicine, for period July 1, 1974 through June 30, 1975. (Grant No. 05S000031-09)
- b. \$1,427,194.00 granted by Department of Health, Education, and Welfare, Public Health Service, Bethesda, Maryland, for Health Professions Capitation Grant Program, under the direction of College of Dentistry, for period July 1, 1974 through June 30, 1975. (Grant No. 05S000047-09)
- c. \$606,874.00 granted by Department of Health, Education, and Welfare, Public Health Service, Bethesda, Maryland, for Mental Retardation Training, under the direction of Nisonger Center, for period July 1, 1974 through June 30, 1975. (Project Identification No. MCT-000922-08-0)
- d. \$496,071.00 granted by Department of Health, Education, and Welfare, Office of Education, Grant and Procurement Management Division, Washington, D. C., for Development and Utilization of Metric Education Instructional Materials in Vocational, Technical and Adult Education, under the direction of Center for Vocational and Technical Education, for period June 30, 1974 through June 29, 1977. (Contract No. OEC-0-74-9285)
- e. \$489,572.00 granted by Department of Health, Education, and Welfare, Public Health Service, 300 South Wacker Drive, Chicago, Illinois, for Health Professions Special Projects, under the direction of College of Medicine, for period July 1, 1974 through June 30, 1975. (Project Identification No. 05D000209-050; Formerly: D08 00110)
- f. \$399,952.00 granted by Department of Health, Education, and Welfare, National Institute of Education, Contracts and Grants Management Division, Washington, D. C., for Development of a Career Education Occupational Exploration Program, under the direction of Center for Vocational and Technical Education, for period July 1, 1974 through June 30, 1975. (Contract No. NE-C-00-4-0012, Modification No. 3)
- g. \$155,800.00 granted by Department of Health, Education, and Welfare, Office of Education, Washington, D. C., for Leadership Development Program, under the direction of Academic Faculty of Vocational-Technical Education, for period September 1, 1974 through August 31, 1975. (Grant No. OEG-0-74-8639)

III. REPORT OF RESEARCH CONTRACTS, GRANTS, GIFTS, AND AGREEMENTS  
(continued)

A. Office of Business and Administration (continued)

1. Federal Contracts/Grants (continued)

- h. \$150,000.00 granted by Department of Health, Education, and Welfare, Region V, Social and Rehabilitation Service - RSA, Chicago, Illinois, for Habilitation Advocacy, under the direction of Nisonger Center, for period June 30, 1974 through June 29, 1975. (Grant No. 56-P-25485/5-01)
- i. \$137,466.00 granted by Department of Health, Education, and Welfare, Public Health Service, 300 South Wacker Drive, Chicago, Illinois, for Health Professions Special Projects, under the direction of College of Pharmacy, for period July 1, 1974 through June 30, 1975. (Project Identification No. 05D000253-040; Formerly: D08 05014)
- j. \$126,967.00 granted by Department of Health, Education, and Welfare, Office of Education, Washington, D. C., for Preparation of Career Education Personnel Development Teams at University Level for Implementation of Career Education, under the direction of Center for Vocational and Technical Education, for period ending June 30, 1975. (Grant No. OEG-0-72-0055, Revision No. 5)
- k. \$115,685.00 granted by Department of Health, Education, and Welfare, Social and Rehabilitation Service, Chicago, Illinois, for Special Training Project for Child Welfare - Short Term Child Welfare - Training Grant, under the direction of School of Social Work, for period July 1, 1974 through June 30, 1975. (Grant No. 47-P-25493/5-01)
- l. \$110,253.00 granted by Department of Health, Education, and Welfare, Public Health Service, 300 South Wacker Drive, Chicago, Illinois, for Medical Student Field Experience and Health Manpower Outreach Training Programs, under the direction of Department of Preventive Medicine, for period July 1, 1974 through June 30, 1975. (Project Identification No. 05H000166-03-0)
- m. \$93,500.00 granted by Department of Health, Education, and Welfare, Office of Education, Washington, D. C., for Language and Area Center for Slavic and East European Studies, under the direction of East European Language and Area Center, for period July 1, 1974 through June 30, 1975. (Grant No. OEG-0-74-0410, Revision No. 1)
- n. \$89,150.00 granted by Department of Health, Education, and Welfare, Public Health Service, Bethesda, Maryland, for Psychiatry - Basic Residency - Training Grant, under the direction of Department of Psychiatry, for period July 1, 1974 through June 30, 1975. (Grant No. 5 T01 MH08458-11)

III. REPORT OF RESEARCH CONTRACTS, GRANTS, GIFTS, AND AGREEMENTS  
(continued)

A. Office of Business and Administration (continued)

1. Federal Contracts/Grants (continued)

- o. \$85,577.00 granted by Department of Health, Education, and Welfare, Public Health Service, 300 South Wacker Drive, Chicago, Illinois, for Health Professions Special Projects, under the direction of College of Dentistry, for period July 1, 1974 through June 30, 1975. (Project Identification No. 05D000235-030; Formerly: D08 01205)
- p. \$80,296.00 granted by Department of Health, Education, and Welfare, Public Health Service, 300 South Wacker Drive, Chicago, Illinois, for Health Professions Special Projects, under the direction of College of Optometry, for period July 1, 1974 through June 30, 1975. (Project Identification No. 05D000244-030; Formerly: D08 02043)
- q. \$72,000.00 granted by National Science Foundation, Washington, D. C., for 1974 National Science Foundation Energy-Related Graduate Traineeship Program, under the direction of Graduate School, for the next three years beginning in the fall of 1974 and ending September 30, 1977. (Grant GZ-3650)
- r. \$71,035.00 granted by Department of Health, Education, and Welfare, Public Health Service, Bethesda, Maryland, for Affirmative Action Project for Minority Students in Nursing - Training Grant, under the direction of School of Nursing, for period June 20, 1974 through June 19, 1975. (Grant No. 05D000533-010; Formerly: 1 D19 NU00008-01)
- s. \$69,468.00 additional grant from Department of Health, Education, and Welfare, Public Health Service, 300 South Wacker Drive, Chicago, Illinois, for Health Professions Special Projects, under the direction of College of Dentistry, for period July 1, 1974 through June 30, 1975. (Project Identification No. 05D000235-03S1; Formerly: D08-01205)
- t. \$54,466.00 granted by Department of Health, Education, and Welfare, Public Health Service, 300 South Wacker Drive, Chicago, Illinois, for Health Professions Special Projects, under the direction of College of Veterinary Medicine, for period July 1, 1974 through June 30, 1975. (Project Identification No. 05D000268-010; Formerly: D08-06068)
- u. \$51,077.00 granted by Department of Health, Education, and Welfare, Public Health Service, Bethesda, Maryland, for Social Work Education for Community Mental Health - Training Grant, under the direction of School of Social Work, for period July 1, 1974 through June 30, 1975. (Grant No. 1 T01 MH13626-01)

III. REPORT OF RESEARCH CONTRACTS, GRANTS, GIFTS, AND AGREEMENTS  
(continued)

A. Office of Business and Administration (continued)

1. Federal Contracts/Grants (continued)

- v. \$50,037.00 granted by Department of Health, Education, and Welfare, Public Health Service, 300 South Wacker Drive, Chicago, Illinois, for Health Professions Special Projects, under the direction of College of Optometry, for period July 1, 1974 through June 30, 1975. (Project Identification No. 05D000247-010; Formerly: D08 02065)
- w. \$46,120.00 granted by Department of Health, Education, and Welfare, Office of Education, Washington, D. C., for Effects of Protocols on Teachers Ability to Understand and Interpret Language of Young Children, under the direction of Academic Faculty of Humanities Education, for period August 14, 1974 through September 30, 1975. (Grant No. OEG-0-70-2057, Revision No. 10)
- x. \$44,884.00 granted by Department of Health, Education, and Welfare, Office of Education, Washington, D. C., for Identification and Assessment of Existing Models' of Cooperative Industry and State Administered Adult Education Program, under the direction of Center for Vocational and Technical Education, for period July 1, 1974 through December 31, 1975. (Grant No. OEG-0-74-1812, Revision No. 2)
- y. \$41,198.00 granted by Department of Health, Education, and Welfare, Public Health Service, 300 South Wacker Drive, Chicago, Illinois, for Health Professions Special Projects, under the direction of College of Veterinary Medicine, for period July 1, 1974 through June 30, 1975. (Project Identification No. 05D000267-010; Formerly: D08 06067)
- z. \$30,507.00 granted by Department of Health, Education, and Welfare, Public Health Service, Bethesda, Maryland, for Social Work Doctoral Program - Training Grant, under the direction of School of Social Work, for period July 1, 1974 through June 30, 1975. (Grant No. 2 T01 MH11981-06)
- aa. \$27,250.00 granted by Department of Health, Education, and Welfare, Public Health Service, 300 South Wacker Drive, Chicago, Illinois, for Health Professions Special Projects, under the direction of College of Veterinary Medicine, for period July 1, 1974 through June 30, 1975. (Project Identification No. 05D000266-010; Formerly: D08-06066)
- bb. \$25,601.00 granted by Department of Health, Education, and Welfare, Public Health Service, 300 South Wacker Drive, Chicago, Illinois, for Health Professions Special Projects - Preceptorship Training, under the direction of College of Medicine, for period July 1, 1974 through June 30, 1975. (Project Identification No. 05D000274-030; Formerly: D08 08018)

III. REPORT OF RESEARCH CONTRACTS, GRANTS, GIFTS, AND AGREEMENTS  
(continued)

A. Office of Business and Administration (continued)

1. Federal Contracts/Grants (continued)

- cc. \$24,171.00 granted by Department of Health, Education, and Welfare, Public Health Service, Bethesda, Maryland, for Social Work Manpower - Training Grant, under the direction of School of Social Work, for period July 1, 1974 through June 30, 1975. (Grant No. 1 T01 MH13788-01)
- dd. \$21,600.00 granted by Department of Health, Education, and Welfare, Public Health Service, Bethesda, Maryland, for Undergraduate Psychiatric Nursing - Training Grant, under the direction of School of Nursing, for period July 1, 1974 through June 30, 1975. (Grant No. 2 T02 MH06375-18)
- ee. \$21,266.00 additional grant from Department of Health, Education, and Welfare, Public Health Service, Bethesda, Maryland, for General Research Support Grant, under the direction of College of Medicine, for period January 1, 1974 through December 31, 1974. (Grant No. 5 S01 RR05409-13)
- ff. \$14,395.00 additional grant from Department of Health, Education, and Welfare, Public Health Service, Bethesda, Maryland, for Comparative Pathology - Training Grant, under the direction of Department of Veterinary Pathobiology, for period July 1, 1974 through June 30, 1975. (Grant No. 5 T01 GM01052-12)
- gg. \$11,500.00 granted by National Science Foundation, Washington, D. C., for assistance in defraying the expenses associated with the temporary appointment of a visiting professor at the University of Sao Paulo, Sao Paulo, Brazil, under the Scientists and Engineers in Economic Development Program, under the direction of Department of Agricultural Economics and Rural Sociology, for period July 1, 1974 through October 31, 1975. (Grant GF-44388, Proposal No. P4F0212)
- hh. \$10,800.00 granted by Department of Health, Education, and Welfare, Public Health Service, Bethesda, Maryland, for Medicinal Chemistry - Training Grant, under the direction of College of Pharmacy, Division of Medicinal Chemistry, for period July 1, 1974 through June 30, 1975. (Grant No. 2 T01 GM01949-06)
- ii. \$8,016.00 additional grant from Department of Health, Education, and Welfare, Public Health Service, Bethesda, Maryland, for Pharmacology - Training Grant, under the direction of Department of Pharmacology, for period July 1, 1974 through June 30, 1975. (Grant No. 5 T01 GM01417-10)

III. REPORT OF RESEARCH CONTRACTS, GRANTS, GIFTS, AND AGREEMENTS  
(continued)

A. Office of Business and Administration (continued)

1. Federal Contracts/Grants (continued)

- jj. \$7,900.00 granted by Department of Health, Education, and Welfare, Public Health Service, Bethesda, Maryland, for Dental Health Education for Health Professionals - Training Grant, under the direction of College of Dentistry, for period July 9, 1974 through July 11, 1974. (Grant No. 05A000045-01)
- kk. \$6,000.00 granted by Department of Health, Education, and Welfare, Public Health Service, Bethesda, Maryland, for Public Health Service Research Fellowship, under the direction of College of Optometry, for period July 1, 1974 through June 30, 1976. (Fellowship No. 1 F22 EY01553-01)
- ll. \$3,728.00 additional grant from Department of Health, Education, and Welfare, Public Health Service, Bethesda, Maryland, for General Research Support Grant, under the direction of College of Pharmacy, for period January 1, 1974 through December 31, 1974. (Grant No. 5 S01 RR05607-08)
- mm. \$3,654.00 additional grant from Department of Health, Education, and Welfare, Public Health Service, Bethesda, Maryland, for Clinical Chemistry - Training Grant, under the direction of Department of Pathology, for period July 1, 1974 through June 30, 1975. (Grant No. 5 T01 GM01805-07)
- nn. \$3,000.00 granted by Department of Health, Education, and Welfare, Public Health Service, Bethesda, Maryland, for Public Health Service Research Fellowship, under the direction of Department of Physiological Chemistry, for period June 1, 1974 through May 31, 1975. (Fellowship No. 1 F22 CA01701-C1X1)
- oo. \$2,835.00 granted by Department of Health, Education, and Welfare, Office of Education, Washington, D. C., for A Study of the Effects of an Integrated Preschool, under the direction of School of Home Economics, for period July 1, 1974 through June 30, 1975. (Grant No. OEG-0-74-7454)

TOTAL - Federal Contracts/Grants \$7,115,578.00

2. State of Ohio Contracts/Grants

- a. \$680,657.28 granted by State of Ohio, Department of Education, Division of Vocational Education, Columbus, Ohio, for support of the training of teachers in Vocational Agriculture and Vocational Home Economics, under the direction of the College of Agriculture and Home Economics, for period July 1, 1974 through June 30, 1975.

III. REPORT OF RESEARCH CONTRACTS, GRANTS, GIFTS, AND AGREEMENTS  
(continued)

A. Office of Business and Administration (continued)

2. State of Ohio Contracts/Grants (continued)

- b. \$52,500.00 granted by State of Ohio, Department of Natural Resources, Division of Wildlife, Columbus, Ohio, for conducting studies on Impact of Parasitic Worms on Lake Erie Fishes, under the direction of College of Biological Sciences, Center for Lake Erie Area Research, for period May 1, 1974 through May 31, 1975.
- c. \$50,023.00 granted by State of Ohio, Department of Health, Columbus, Ohio, for Continuing Education of Health Providers, under the direction of Department of Preventive Medicine, Division of Continuing Medical Education and Research, for period June 25, 1974 through June 26, 1975.
- d. \$28,276.00 granted by State of Ohio, Department of Mental Health and Mental Retardation, Division of Forensic Psychology, Columbus, Ohio, for performing a pilot study to investigate the feasibility of a vocational education and habilitation program at Lima State Hospital, under the direction of Center for Vocational and Technical Education, for period May 1, 1974 through completion.
- e. \$1,500.00 granted by State of Ohio, Department of Mental Health and Mental Retardation, Columbus, Ohio, for a Feasibility Study of a Centralized System of Agricultural Management Relative to the Implementation of H. B. 494, under the direction of Department of Agricultural Economics and Rural Sociology, for period June 1, 1974 through June 30, 1974.
- f. \$1,100.00 granted by State of Ohio, Department of Mental Health and Mental Retardation, Columbus, Ohio, for a Feasibility Study of a Centralized System of Agricultural Management Relative to the Implementation of H. B. 494, under the direction of Department of Agricultural Economics and Rural Sociology, for period July 1, 1974 through July 31, 1974.

TOTAL - State of Ohio Contracts/Grants \$814,056.28

3. Industrial and Other Contracts/Grants

- a. \$31,000.00 granted by Leukemia Society of America, Inc., New York, New York, for a Special Fellowship, under the direction of College of Medicine, for period July 1, 1974 through June 30, 1976.
- b. \$7,697.00 granted by The Ford Foundation, New York, New York, for support of Doctoral/Graduate Fellowship Programs, under the direction of Graduate School, for academic year 1974-75. (Project No. 719-0021)

TOTAL - Industrial and Other Contracts/Grants \$38,697.00

III. REPORT OF RESEARCH CONTRACTS, GRANTS, GIFTS, AND AGREEMENTS  
(continued)

B. The Ohio State University Research Foundation

1. Federal Research Contracts/Grants

- a. \$115,580.00 from Department of Health, Education, and Welfare, Public Health Service, National Institutes of Health, National Heart and Lung Institute, Bethesda, Maryland, for Development of Effective Therapy for Sickle Cell Disease, under the direction of Department of Medicine, for period June 26, 1972 through June 25, 1975. (Project 3478-A1 - Mod. #3)
- b. \$100,000.00 from National Science Foundation, Washington, D. C., for Nuclear Physics Research with a 5.5 MeV Van de Graaff Accelerator, under the direction of Department of Physics, for period May 1, 1974 through October 31, 1975. (Project 3938-A1 - New)
- c. \$99,923.00 from Department of Transportation, Washington, D. C., for Fundamental Studies in Automatic Longitudinal Control of Vehicles, under the direction of Department of Electrical Engineering, for period July 1, 1974 through June 30, 1975. (Project 3944-A1 - New)
- d. \$99,583.00 from Environmental Protection Agency, Washington, D. C., for Lake Erie Nutrient Control Program: An Assessment of Its Effectiveness in Controlling Lake Eutrophication, under the direction of College of Biological Sciences, for period June 18, 1974 through March 31, 1975. (Project 3705-A2 - Amend. #2)
- e. \$80,945.00 from Department of Health, Education, and Welfare, Office of Education, Washington, D. C., for Determination of a Common Core of Basic Skills for Agribusiness and Natural Resources, under the direction of Department of Agricultural Education, for period June 15, 1974 through September 14, 1975. (Project 3930-A1 - New)
- f. \$72,305.00 from Department of Health, Education, and Welfare, Public Health Service, National Institutes of Health, National Institute of Neurological Diseases and Stroke, Bethesda, Maryland, for Stroke Acute Care Research Unit, under the direction of Department of Medicine, for period June 1, 1974 through May 31, 1975. (Project 3687-A2 - Ext. #1)
- g. \$65,973.00 from Department of Health, Education, and Welfare, Public Health Service, National Institutes of Health, Bureau of Health Manpower Education, Bethesda, Maryland, for Development and Evaluation of Case Studies in Clinical Diet, under the direction of College of Medicine, School of Allied Medical Professions, for period July 1, 1974 through June 30, 1975. (Project 3603-A2 - Ext. #1)



III. REPORT OF RESEARCH CONTRACTS, GRANTS, GIFTS, AND AGREEMENTS  
(continued)

B. The Ohio State University Research Foundation (continued)

1. Federal Research Contracts/Grants (continued)

- h. \$63,144.00 from Department of Health, Education, and Welfare, Public Health Service, National Institutes of Health, National Institute of General Medical Sciences, Bethesda, Maryland, for Ligand Reactions, Catalysis and Macrocyclic Complexes, under the direction of Department of Chemistry, for period June 1, 1974 through May 31, 1975. (Project 1501-L - Ext. #11)
- i. \$55,741.00 from Department of Health, Education, and Welfare, Public Health Service, National Institutes of Health, National Cancer Institute, Bethesda, Maryland, for Immunoprophylaxis and Immunotherapy of Lung Cancer, under the direction of Department of Microbiology, for period June 1, 1974 through April 30, 1976. (Project 3945-A1 - New)
- j. \$54,037.00 from National Endowment for the Humanities, Washington, D. C., for A Project to Improve Understanding of the American Revolution, under the direction of Department of History, for period June 1, 1974 through November 30, 1975. (Project 3942-A1 - New)
- k. \$51,565.00 from Department of Health, Education, and Welfare, Public Health Service, National Institutes of Health, National Cancer Institute, Bethesda, Maryland, for RNA Mediated Abrogation of Lung Cancer Induced Anergy, under the direction of Department of Microbiology, for period June 1, 1974 through May 31, 1975. (Project 3692-A2 - Ext. #1)
- l. \$51,185.00 from Department of Health, Education, and Welfare, Public Health Service, National Institutes of Health, National Institute of Allergy and Infectious Diseases, Bethesda, Maryland, for New Antibiotics-Isolation, Synthesis and Evaluation, under the direction of College of Pharmacy, for period June 1, 1974 through May 31, 1975. (Project 3054-A5 - Ext. #5)
- m. \$50,300.00 from National Science Foundation, Washington, D. C., for Carbenic Processes, under the direction of Department of Chemistry, for period June 1, 1974 through May 31, 1975. (Project 3933-A1 - New)
- n. \$44,000.00 from National Science Foundation, Washington, D. C., for A Study of Relaxation, Diffusion, and Polarization in the Solid Hydrogens, under the direction of Department of Physics, for period April 1, 1972 through June 30, 1975. (Project 3428-A1 - Amend. #X2)

III. REPORT OF RESEARCH CONTRACTS, GRANTS, GIFTS, AND AGREEMENTS  
(continued)

B. The Ohio State University Research Foundation (continued)

1. Federal Research Contracts/Grants (continued)

- o. \$36,236.00 from Department of Health, Education, and Welfare, Public Health Service, National Institutes of Health, National Cancer Institute, Bethesda, Maryland, for Metabolic Characteristics of Cellular Immune Response, under the direction of Department of Medicine, for period June 1, 1974 through May 31, 1975. (Project 3488-A3 - Ext. #2)
- p. \$34,300.00 from National Science Foundation, Washington, D. C., for Coupled Convective Momentum and Mass Transport from Porous Tubes in Crossflow, under the direction of Department of Mechanical Engineering, for period July 1, 1974 through June 30, 1976. (Project 3937-A1 - New)
- q. \$34,000.00 from National Science Foundation, Washington, D. C., for Surface Modes in Yttrium Iron Garnet Single Crystal Discs, under the direction of Department of Physics, for period July 1, 1972 through June 30, 1975. (Project 3457-A1 - Amend. #2)
- r. \$33,864.00 from Department of Health, Education, and Welfare, Public Health Service, National Institutes of Health, Bureau of Health Manpower Education, Bethesda, Maryland, for A Study of the Communicative Interaction Process, under the direction of College of Medicine, School of Nursing, for period May 1, 1973 through April 30, 1975. (Project 3235-A3 - Sup. #1)
- s. \$32,400.00 from Department of Agriculture, Peoria, Illinois, for Development and Evaluation of Diagnostic Methods for Diarrheal Diseases of Newborn Calves, under the direction of Department of Veterinary Pathobiology, for period June 10, 1974 through March 1, 1975. (Project 3963-A1 - New)
- t. \$32,300.00 additional funds from National Aeronautics and Space Administration, Washington, D. C., for Basic Research and Data Analysis for the National Geodetic Satellite Program and for the Earth Surveys Program, under the direction of Department of Geodetic Science. (Project 2514 - Sup. #6)
- u. \$31,758.00 from Department of Health, Education, and Welfare, Public Health Service, Alcohol, Drug Abuse, and Mental Health Administration, National Institute on Alcohol Abuse and Alcoholism, Bethesda, Maryland, for Effect of Ethanol on Jejunal Function, under the direction of Department of Medicine, for period May 1, 1974 through April 30, 1975. (Project 3469-A3 - Ext. #2)

III. REPORT OF RESEARCH CONTRACTS, GRANTS, GIFTS, AND AGREEMENTS  
(continued)

B. The Ohio State University Research Foundation (continued)

1. Federal Research Contracts/Grants (continued)

- v. \$31,254.00 from Department of Health, Education, and Welfare, Public Health Service, Alcohol, Drug Abuse, and Mental Health Administration, National Institute of Mental Health, Rockville, Maryland, for Mechanisms of Voluntary Action and Voluntary Attention, under the direction of Department of Psychology, for period June 1, 1974 through May 31, 1975. (Project 3333-A3 - Ext. #2)
- w. \$30,000.00 from Environmental Protection Agency, Cincinnati, Ohio, for Predictive and Pollution Abatement Model of Mine Drainage, under the direction of Department of Civil Engineering, for period June 28, 1974 through April 30, 1975. (Project 3949-A1 - New)
- x. \$30,000.00 from Atomic Energy Commission, Argonne, Illinois, for Steady and Transient Natural Convection in Enclosed Fluid Layers with Volumetric Energy Sources, under the direction of Department of Mechanical Engineering, for period June 1, 1974 through June 30, 1975. (Project 3952-A1 - New)
- y. \$28,000.00 from National Science Foundation, Washington, D. C., for Low-Temperature Transport Phenomena in Metals, under the direction of Department of Physics, for period May 1, 1972 through June 30, 1975. (Project 3436-B1 - Amend. #2)
- z. \$26,690.00 from Department of Health, Education, and Welfare, Public Health Service, National Institutes of Health, National Institute of Allergy and Infectious Diseases, Bethesda, Maryland, for Studies on in vivo Growth of Staphylococci, under the direction of Department of Medical Microbiology, for period June 1, 1974 through May 31, 1975. (Project 2330-E - Ext. #5)
- aa. \$23,797.00 from Department of Transportation, Federal Highway Administration, Washington, D. C., for Field Test and Evaluation Center for Eastern States, under the direction of Engineering Experiment Station, for period May 16, 1974 through April 15, 1975. (Project 3535-B1 - New)
- bb. \$22,110.00 from Department of Health, Education, and Welfare, Public Health Service, National Institutes of Health, National Institute of Arthritis and Metabolic Diseases, Bethesda, Maryland, for Oxalic Acid Metabolism and Primary Hyperoxaluria, under the direction of Department of Physiological Chemistry, for period June 1, 1974 through May 31, 1975. (Project 2720-D - Ext. #4)

III. REPORT OF RESEARCH CONTRACTS, GRANTS, GIFTS, AND AGREEMENTS  
(continued)

B. The Ohio State University Research Foundation (continued)

1. Federal Research Contracts/Grants (continued)

- cc. \$21,583.00 from Department of the Air Force, Office of Scientific Research, Arlington, Virginia, for Cardiovascular, Renal and Respiratory Effects of High Intensity, Intermediate Duration, Low Frequency Vibration, under the direction of Department of Aeronautical and Astronautical Engineering, for period June 1, 1973 through May 31, 1975. (Project 3656-A1 - Mod. #AFOSR-73-2526-A)
- dd. \$20,809.00 from Department of Health, Education, and Welfare, Public Health Service, National Institutes of Health, National Institute of General Medical Sciences, Bethesda, Maryland, for Application of Immobilized Enzymes in Protein Chemistry, under the direction of Department of Biochemistry, for period June 1, 1974 through May 31, 1975. (Project 3477-A3 - Ext. #2)
- ee. \$20,800.00 from National Science Foundation, Washington, D. C., for B-Convex and Weakly Compacted Generated Banach Space, under the direction of Department of Mathematics, for period July 1, 1974 through June 30, 1975. (Project 3923-A1 - New)
- ff. \$20,000.00 from National Aeronautics and Space Administration, Goddard Space Flight Center, Greenbelt, Maryland, for Scintillation Analysis of ATS-5 Data, under the direction of Department of Electrical Engineering, for period June 11, 1974 through June 10, 1975. (Project 3863-B1 - New)
- gg. \$20,000.00 from Environmental Protection Agency, Cincinnati, Ohio, for Predictive and Pollution Abatement Model of Mine Drainage, under the direction of Department of Industrial and Systems Engineering, for period June 28, 1974 through April 30, 1975. (Project 3949-B1 - New)
- hh. \$20,000.00 from National Science Foundation, Washington, D. C., for Conference on Energy Conservation in Commercial, Residential and Industrial Buildings, under the direction of Department of Mechanical Engineering, for period May 1, 1974 through January 31, 1975. (Project 3932-A1 - New)
- ii. \$18,758.00 from Department of Health, Education, and Welfare, Public Health Service, National Institutes of Health, National Eye Institute, Bethesda, Maryland, for Interaction Between Receptor Classes in the Retina, under the direction of Department of Biophysics, for period June 1, 1974 through May 31, 1975. (Project 3048-A4 - Ext. #3)

III. REPORT OF RESEARCH CONTRACTS, GRANTS, GIFTS, AND AGREEMENTS  
(continued)

B. The Ohio State University Research Foundation (continued)

1. Federal Research Contracts/Grants (continued)

- jj. \$18,000.00 from National Science Foundation, Washington, D. C., for Operator Ergodic Theory, under the direction of Department of Mathematics, for period July 1, 1972 through June 30, 1975. (Project 3447-A1 - Amend. #2)
- kk. \$15,600.00 from Environmental Protection Agency, Washington, D. C., for EPA/ORD Project Officers' Course, under the direction of College of Administrative Science, Division of Continuing Education, for period June 3, 1974 through November 30, 1975. (Project 3957-A1 - New)
- ll. \$15,300.00 from National Science Foundation, Washington, D. C., for Conference on Planning an Integrated Approach to Air-Quality Problems of the Steubenville, Ohio - Weirton, West Virginia Area, under the direction of Department of Industrial and Systems Engineering, for period May 1, 1974 through February 28, 1975. (Project 3948-A1 - New)
- mm. \$14,604.00 from Department of the Air Force, Office of Scientific Research, Arlington, Virginia, for Cardiovascular, Renal and Respiratory Effects of High Intensity, Intermediate Duration, Low Frequency Vibration, under the direction of Department of Aeronautical and Astronautical Engineering, for period June 1, 1973 through May 31, 1975. (Project 3656-B1 - Mod. #AFOSR-73-2526-A)
- nn. \$14,000.00 from Environmental Protection Agency, Cincinnati, Ohio, for Predictive and Pollution Abatement Model of Mine Drainage, under the direction of Department of Chemical Engineering, for period June 28, 1974 through April 30, 1975. (Project 3949-C1 - New)
- oo. \$13,000.00 additional funds from Department of the Navy, Office of Naval Research, Arlington, Virginia, for Defense Multi-Year Procurement and Two-Step Formal Advertising, under the direction of College of Administrative Science, Division of Continuing Education. (Project 3006-A1 - Mod. #08)
- pp. \$12,909.00 from Department of Health, Education, and Welfare, Public Health Service, Food and Drug Administration, Rockville, Maryland, for Pathologic Support for Evaluation of Cardiotoxic Drugs in the Canine, under the direction of Department of Pathology, for period May 7, 1971 through September 30, 1974. (Project 3242-A1 - Mod. #5)

III. REPORT OF RESEARCH CONTRACTS, GRANTS, GIFTS, AND AGREEMENTS  
(continued)

B. The Ohio State University Research Foundation (continued)

1. Federal Research Contracts/Grants (continued)

- qq. \$11,644.00 from Department of Health, Education, and Welfare, Public Health Service, Food and Drug Administration, Rockville, Maryland, for The Toxicity and Potency of Tetracycline, under the direction of College of Pharmacy, for period June 24, 1974 through June 23, 1975. (Project 3964-A1 - New)
- rr. \$11,500.00 from National Science Foundation, Washington, D. C., for Regional Conference on Nonparametric Decision Theory, under the direction of College of Mathematics and Physical Sciences, Division of Statistics, for period May 15, 1974 through April 30, 1975. (Project 3940-A1 - New)
- ss. \$10,300.00 from National Science Foundation, Washington, D. C., for Algebraic Number Theory, Theory of Orders and Geometry of Numbers, under the direction of Department of Mathematics, for period July 1, 1974 through June 30, 1975. (Project 3947-A1 - New)
- tt. \$9,500.00 from Department of Health, Education, and Welfare, Public Health Service, Food and Drug Administration, Rockville, Maryland, for Veterinary Adverse Drug Reaction Program, under the direction of Department of Veterinary Clinical Sciences, for period June 28, 1974 through June 27, 1975. (Project 3946-A1 - New)
- uu. \$9,000.00 additional funds from National Aeronautics and Space Administration, Lewis Research Center, Cleveland, Ohio, for Stress Corrosion Cracking of Titanium Alloys, under the direction of Department of Metallurgical Engineering. (Project 2267 - Sup. #6)
- vv. \$7,700.00 from National Science Foundation, Washington, D. C., for Combinatorial Geometry: The Whitney Numbers and Elementary Strong Maps, under the direction of Department of Mathematics, for period July 1, 1973 through June 30, 1975. (Project 3684-A1 - Amend. #1)
- ww. \$7,385.00 additional funds from Civil Service Commission, Washington, D. C., for Inter Government Training Course Preparation and Instruction, under the direction of College of Administrative Science, Division of Continuing Education. (Project 3808-G1 - Purchase Orders Dtd. 5/31/74)

III. REPORT OF RESEARCH CONTRACTS, GRANTS, GIFTS, AND AGREEMENTS  
(continued)

B. The Ohio State University Research Foundation (continued)

1. Federal Research Contracts/Grants (continued)

- xx. \$7,300.00 from National Science Foundation, Washington, D. C., for Class Groups of Global Fields, under the direction of Department of Mathematics, for period July 1, 1971 through June 30, 1975. (Project 3227-A1 - Amend. #3)
- yy. \$7,000.00 additional funds from Atomic Energy Commission, Argonne, Illinois, for Cycling of C1-36 Labeled DDT in Natural Systems, under the direction of Department of Zoology. (Project 1794-G - Ltr. Dtd. 6/17/74)
- zz. \$6,950.00 from Department of the Interior, Washington, D. C., for The Effects of Wetting on Redwing Blackbird Energetics and Survival, under the direction of Department of Zoology, for period July 1, 1973 through June 30, 1975. (Project 3723-A1 - Amend. #1)
- aaa. \$6,433.00 from National Endowment for the Humanities, Washington, D. C., for A Project to Improve Understanding of the American Revolution, under the direction of Department of History, for period June 1, 1974 through November 30, 1975. (Project 3942-A2 - Dtd. 6/26/74)
- bbb. \$5,800.00 from National Science Foundation, Washington, D. C., for Invariant Algebraic Structures for Nonsplit Lie Algebras and Algebraic Groups, under the direction of Department of Mathematics, for period July 1, 1973 through June 30, 1975. (Project 3685-A1 - Amend. #1)
- ccc. \$4,500.00 from National Aeronautics and Space Administration, Moffett Field, California, for Studies of Heat Source Driven Natural Convection, under the direction of Department of Mechanical Engineering, for period August 1, 1973 through July 31, 1975. (Project 3746-A1 - Sup. #1)
- ddd. \$3,996.00 from Department of the Army, Huntington, West Virginia, for Environmental Analysis of Central Ohio, under the direction of College of Biological Sciences, Ohio Biological Survey, for period December 1, 1972 through September 30, 1974. (Project 3492-C1 - Mod. #P00001)

III. REPORT OF RESEARCH CONTRACTS, GRANTS, GIFTS, AND AGREEMENTS  
(continued)

B. The Ohio State University Research Foundation (continued)

1. Federal Research Contracts/Grants (continued)

- eee. \$2,700.00 from Department of Health, Education, and Welfare, Public Health Service, Food and Drug Administration, Rockville, Maryland, for Conducting Training Course Entitled "Program Officials Guide to Contracting," under the direction of College of Administrative Science, Division of Continuing Education, for period October 1, 1973 through June 30, 1975. (Project 3814-A1 - Mod. #1)
- fff. \$1,180.00 from Department of the Army, Huntington, West Virginia, for Environmental Analysis of Central Ohio, under the direction of College of Biological Sciences, Ohio Biological Survey, for period June 28, 1972 through September 30, 1974. (Project 3492-A1 - Mod. #P00001)
- ggg. \$1,105.00 additional funds from Civil Service Commission, Washington, D. C., for Inter Government Training Course Preparation and Instruction, under the direction of College of Administrative Science, Division of Continuing Education. (Project 3808-G1 - Purchase Orders Dtd. 5/21/74)
- hhh. \$1,000.00 additional funds from National Science Foundation, Washington, D. C., for 28th and 29th Symposia on Molecular Structure and Spectroscopy, under the direction of Department of Physics. (Project 3607-A1 - Amend. #1)

TOTAL - Federal Research Contracts/Grants \$1,791,346.00

2. State of Ohio Research Contracts/Grants

- a. \$53,739.00 from Ohio Department of Economic and Community Development, Administration of Justice Division, Columbus, Ohio, for In-Service Training for Court and Corrections Personnel, under the direction of College of Administrative Science, School of Public Administration, for period July 1, 1974 through June 30, 1975. (Project 3912-A1 - New)
- b. \$50,599.00 from The Ohio Real Estate Commission, Columbus, Ohio, for A Study of Population Shifts and Land Values, under the direction of Academic Faculty of Finance, for period June 4, 1974 through September 30, 1975. (Project 3950-A1 - New)
- c. \$1,660.00 from Ohio Department of Economic and Community Development, Administration of Justice Division, Columbus, Ohio, for Goals and Standards Comparison, under the direction of College of Administrative Science, School of Public Administration, for period September 4, 1973 through June 30, 1974. (Project 3807-A1 - Sup. #1)

TOTAL - State of Ohio Research Contracts/Grants \$105,998.00



III. REPORT OF RESEARCH CONTRACTS, GRANTS, GIFTS, AND AGREEMENTS  
(continued)

B. The Ohio State University Research Foundation (continued)

3. Industrial, Subcontracts/Grants and Other  
Non-Federal Research Contracts/Grants

- a. \$163,988.00 from The Ohio Valley Health Services Foundation, Inc., Athens, Ohio, for Evaluation Component of the Consolidated Emergency Medical Services System for Southeastern Ohio, under the direction of Department of Preventive Medicine, for period November 1, 1972 through January 31, 1975. (Project 3614-A1 - Amend. #2)
- b. \$70,107.00 from State of Ohio, Department of Health, Columbus, Ohio, for Family Planning Clinic, under the direction of Department of Obstetrics and Gynecology, for period January 1, 1974 through December 31, 1974. (Project 3510-A3 - Ext. #2)
- c. \$27,369.00 from State of Ohio, Department of Health, Columbus, Ohio, for Family Planning - Infertility Clinic, under the direction of Department of Obstetrics and Gynecology, for period January 1, 1974 through December 31, 1974. (Project 3509-A3 - Ext. #2)
- d. \$26,218.00 from State of Ohio, Department of Economic and Community Development, Administration of Justice Division, Columbus, Ohio, for Shock Parole: A Feasibility Study, under the direction of College of Administrative Science, Division of Public Administration, for period April 1, 1974 through June 30, 1974. (Project 3951-A1 - New)
- e. \$20,000.00 from American Iron and Steel Institute, New York, New York, for Composition of Passive Films, under the direction of Department of Metallurgical Engineering, for period May 1, 1974 through April 30, 1975. (Project 3927-A1 - New)
- f. \$20,000.00 from American Iron and Steel Institute, New York, New York, for Embrittlement in Stainless Steel, under the direction of Department of Metallurgical Engineering, for period May 1, 1974 through April 30, 1975. (Project 3928-A1 - New)
- g. \$14,300.00 from World Health Organization, Geneva, Switzerland, for Studies of the Antifertility Effects of Immunizations of Baboons, under the direction of Department of Obstetrics and Gynecology, for period July 1, 1973 through June 30, 1975. (Project 3686-B1 - Agreement #H9/181/102[A] & [B])
- h. \$11,800.00 from American Iron and Steel Institute, New York, New York, for Substitute Fluxes for the BOF, under the direction of Department of Metallurgical Engineering, for period May 1, 1974 through April 30, 1975. (Project 3929-A1 - New)

III. REPORT OF RESEARCH CONTRACTS, GRANTS, GIFTS, AND AGREEMENTS  
(continued)

B. The Ohio State University Research Foundation (continued)

3. Industrial, Subcontracts/Grants and Other  
Non-Federal Research Contracts/Grants (continued)

- i. \$11,550.00 from American Heart Association, Inc., New York, New York, for Studies on the Distribution of Renal Blood Flow, under the direction of Department of Medicine, for period October 1, 1974 through September 30, 1975. (Project 3772-A2 - Ext. #1)
- j. \$11,440.00 from American Otological Society, St. Louis, Missouri, for Cytochemistry and Mineralization of Otosclerotic Stapes, under the direction of Department of Otolaryngology, for period July 1, 1974 through June 30, 1975. (Project 2789-D - Ext. #4)
- k. \$5,050.00 from Research Corporation, New York, New York, for The Synthesis and Biological Activities of C-Nucleosides, under the direction of Department of Chemistry, for period October 1, 1974 through September 30, 1975. (Project 3953-A1 - New)

TOTAL - Industrial, Subcontracts/Grants and Other  
Non-Federal Research Contracts/Grants \$381,822.00

C. The Engineering Experiment Station

1. State of Ohio Research Contracts

- a. \$21,400.00 from Ohio Department of Highways, Columbus, Ohio, for A Study for Laboratory Implementation of Fatigue Mix Design Procedures, under the direction of Department of Civil Engineering, for period June 30, 1974 through September 30, 1975. (EES 483)
- b. \$15,417.00 from Ohio Department of Highways, Columbus, Ohio, for Highway Metrication, under the direction of Department of Civil Engineering, for period May 8, 1974 through January 8, 1975. (EES 481)

TOTAL - State of Ohio Research Contracts \$36,817.00

2. Industrial and Other Research Contract

- a. \$6,948.00 from United McGill Corporation, Westerville, Ohio, for A Study of Sound Attenuators, under the direction of Department of Mechanical Engineering, for period July 1, 1974 through June 30, 1975. (EES 482)

September 6, 1974 meeting, Board of Trustees

III. REPORT OF RESEARCH CONTRACTS, GRANTS, GIFTS, AND AGREEMENTS  
(continued)

D. The Ohio State University Development Fund

1. Gifts of \$5,000 or More

- a. \$90,000.00 from Emerson S. Zuck Trust, Orlando, Florida, for Mr. and Mrs. Zuck's named endowment fund to provide loans to needy and deserving students.
- b. \$66,256.77 from The Associates of Medicine, Columbus, Ohio, to continue support of the Department of Medicine General Fund.
- c. \$50,000.00 from The Bremer Foundation, Youngstown, Ohio (given in the name of Marie Bremer), for the College of Medicine.
- d. \$50,000.00 from Frank E. Gannett Newspaper Foundation, Inc., Rochester, New York, for the Journalism Building Fund.
- e. \$26,435.00 from The John A. Hartford Foundation, Inc., New York, New York, for research in pharmacologic control of portal hypertension.
- f. \$25,000.00 from The Yassenoff Foundation, Inc., Columbus, Ohio, for the Leo Yassenoff Chair in Philosophy and Jewish Studies.
- g. \$14,140.00 from The Procter & Gamble Company, Cincinnati, Ohio--\$7,500.00 for the Veterinary Pathobiology Graduate Training Fund and \$6,640.00 for their fellowship in Physiological Chemistry.
- h. \$13,750.00 from Mansfield University Foundation, Mansfield, Ohio--\$12,000.00 for the Mansfield Campus Scholarship Fund and \$1,750.00 for the Mansfield Campus Support Fund.
- i. \$9,387.08 from Dow Walker Trust, St. Petersburg, Florida, for the University Activities Center.
- j. \$8,000.00 from Dade Division, American Hospital Supply Corporation, Miami, Florida, for blood coagulation research in the Department of Veterinary Clinical Sciences.
- k. \$7,500.00 from The B. F. Goodrich Company, Avon Lake, Ohio, for polymer research in engineering.
- l. \$7,000.00 from Eli Lilly & Company, Indianapolis, Indiana, for research in organic chemistry.
- m. \$7,000.00 from Ohio Turfgrass Foundation, Columbus, Ohio--\$3,000.00 for the Plant Nematology Fund and \$4,000.00 for research in the Department of Agronomy.

III. REPORT OF RESEARCH CONTRACTS, GRANTS, GIFTS, AND AGREEMENTS  
(continued)

D. The Ohio State University Development Fund (continued)

1. Gifts of \$5,000 or More (continued)

- n. \$5,000.00 from Lilly Endowment, Inc., Indianapolis, Indiana, to cover costs of production, printing, and mailing of a special issue of Focus on Asian Studies.
- o. \$5,000.00 from North American Van Lines, Inc., Fort Wayne, Indiana, for the Logistics Research Fund.
- p. \$5,000.00 from Public Welfare Foundation, Inc., Washington, D. C., for support of the Division of Oral Pathology.

2. Establishment of Named Funds

- a. \$25,000.00 from the Estate of Martha H. Mayer for the establishment of The Bruce A. Mayer Scholarship Fund.

The Bruce A. Mayer Scholarship Fund

The Bruce A. Mayer Scholarship Fund was established September 6, 1974, by the Board of Trustees of The Ohio State University with a bequest from Martha H. Mayer to The Ohio State University Development Fund in memory of her husband, Bruce A. Mayer, D. D. S. '18, formerly of Springfield, Ohio.

All gifts are to be invested in the University's Permanent Endowment Fund under the rules and regulations adopted by the Board of Trustees of The Ohio State University, with the right to invest and reinvest as occasion dictates.

The annual income is to be used to provide one or more scholarships for deserving students in the College of Veterinary Medicine. The selection of the recipients is to be made upon the recommendation of the University Scholarship Committee in cooperation with the Dean of the College of Veterinary Medicine.

Should the need for these scholarships cease to exist or so diminish as to provide unused income, then the income may be used for any purpose whatsoever as determined by the Board of Trustees, with preference being given to recommendations from the appropriate administrative official of the University who is then directly responsible for scholarships.

III. REPORT OF RESEARCH CONTRACTS, GRANTS, GIFTS, AND AGREEMENTS  
(continued)

D. The Ohio State University Development Fund (continued)

2. Establishment of Named Funds (continued)

- b. \$4,090.00 from family, friends, colleagues, and former students of Salvatore M. Marco for the establishment of the Salvatore Michael Marco Memorial Scholarship Fund.

Salvatore Michael Marco Memorial Scholarship Fund

The Salvatore Michael Marco Memorial Scholarship Fund was established September 6, 1974, by the Board of Trustees of The Ohio State University with gifts through The Ohio State University Development Fund from the family, friends, colleagues, and former students of Salvatore Michael Marco, B.M.E. '30, M.S. '32, late of Columbus, Ohio, Chairman of the Department of Mechanical Engineering, 1952-1968, and Professor Emeritus at the time of his death in 1973.

All gifts are to be invested in the University's Permanent Endowment Fund, under the rules and regulations adopted by the Board of Trustees of the University, with the right to invest and reinvest as occasion dictates.

The annual income is to be used to provide one or more scholarships to either entering freshmen or to first-, second-, or third-year students who demonstrate a strong motivation toward pursuit of the Mechanical Engineering Program at The Ohio State University and upon strong probability of successful academic work. Financial need should be a part of the total consideration in the selection but should not be a prerequisite, nor should a student be obligated to pursue the Mechanical Engineering Program if, for good and sufficient reason, he deems it advisable to change majors. Selection is to be made by the University Scholarship Committee upon the recommendation of the Scholarship Committee of the Department of Mechanical Engineering and approved by the Department of Mechanical Engineering and approved by the Department faculty.

Should the Department of Mechanical Engineering cease to exist, through any reorganization of the University, then the income shall be used as recommended by an appropriate committee appointed by the administrative head of engineering studies and responsible for Mechanical Engineering education, for purposes as nearly as practicable as set forth above.

The recipients of these awards shall be designated SALVATORE MICHAEL MARCO MEMORIAL SCHOLARS for the year immediately succeeding the award.

III. REPORT OF RESEARCH CONTRACTS, GRANTS, GIFTS, AND AGREEMENTS  
(continued)

E. Office of Business and Administration

1. Federal Contracts/Grants

- a. \$139,554.00 granted by Department of Health, Education, and Welfare, Public Health Service, Bethesda, Maryland, for Nursing Capitation Grant Program, under the direction of School of Nursing, for period July 1, 1974 through June 30, 1975. (Grant No. 2 E04 NU01080-03)
- b. \$118,978.00 granted by National Aeronautics and Space Administration, Washington, D. C., for support of Specialized Post-M. D. Training in Aerospace Medicine, under the direction of Department of Preventive Medicine, for period September 1, 1974 through August 31, 1976. (Grant No. NCT 36-008-007, Supplement No. 4)
- c. \$39,600.00 granted by Department of Health, Education, and Welfare, Office of Education, Washington, D. C., for National Defense Foreign Language Fellowships, NDEA Title VI, under the direction of Graduate School, for period July 1, 1974 through June 30, 1975. (Grant No. OEG-0-74-8716)
- d. \$21,119.00 granted by Department of Health, Education, and Welfare, Public Health Service, Bethesda, Maryland, for Nursing Capitation Grant Program, under the direction of School of Nursing, for period July 1, 1974 through June 30, 1975. (Grant No. 2 E04 NU01081-03)
- e. \$2,408.00 additional grant from Department of Health, Education, and Welfare, Public Health Service, Bethesda, Maryland, for General Research Support Grant, under the direction of School of Nursing, for period January 1, 1974 through December 31, 1974. (Grant No. S01 RR05742-03)

TOTAL - Federal Contracts/Grants \$321,659.00

2. State of Ohio Contracts/Grants

- a. \$37,158.00 granted by State of Ohio, Department of Health, Columbus, Ohio, for One-Year Addition to Rehabilitation Through Nursing, under the direction of Department of Physical Medicine, for period July 1, 1974 through June 30, 1975.
- b. \$29,000.00 granted by State of Ohio, Department of Health, Columbus, Ohio, for Training Program in Rehabilitative Nursing, under the direction of Department of Physical Medicine, for period July 1, 1974 through June 30, 1975.

III. REPORT OF RESEARCH CONTRACTS, GRANTS, GIFTS, AND AGREEMENTS

(continued)

E. Office of Business and Administration (continued)

2. State of Ohio Contracts/Grants (continued)

- c. \$14,999.00 granted by State of Ohio, Department of Education, Division of Vocational Education, Columbus, Ohio, for In-service Education of Vocational Agriculture Teachers on New Curricular Materials for Adult Class Instruction, under the direction of Department of Agricultural Education, for period July 1, 1974 through August 31, 1975.
- d. \$12,300.00 granted by State of Ohio, Department of Health, Columbus, Ohio, for developing and implementing the Special Supplemental Food Program for Women, Infants, and Children, under the direction of The Ohio State University Hospitals, Out Patient Department, for period July 1, 1974 through September 30, 1974.
- e. \$9,108.00 granted by State of Ohio, Department of Economic and Community Development, Columbus, Ohio, for designing and implementing methodology for evaluating the ways and means for creating technology transfer linkages among cities, between cities and the private sector, and the universities and the cities, under the direction of Mershon Center for Education in National Security, for period July 1, 1974 through December 31, 1974.

TOTAL - State of Ohio Contracts/Grants \$102,565.00

3. Industrial and Other Contracts/Grants

- a. \$8,500.00 granted by Citizens' Task Force on Higher Education, 88 East Broad Street, Columbus, Ohio, for research services and related costs associated with a survey of public attitudes toward post-secondary education in Ohio, under the direction of Mershon Center for Education in National Security, for period January 1, 1974 through February 15, 1974.
- b. \$7,500.00 granted by The Columbus Foundation, Columbus, Ohio, for support of the developmentally delayed infant education project, under the direction of Nisonger Center.
- c. \$4,970.00 granted by Ashland County - West Holmes Joint Vocational School, Ashland, Ohio, for structured site visits to assess "entry" attitudes and beliefs about career education and awareness and determine knowledge about the Ashland projects, goals, and purposes, under the direction of Center for Vocational and Technical Education, for period July 1, 1974 through June 30, 1975. (ESEA Title III, Project No. 45-74-501-1)

TOTAL - Industrial and Other Contracts/Grants \$20,970.00

III. REPORT OF RESEARCH CONTRACTS, GRANTS, GIFTS, AND AGREEMENTS  
(continued)

F. The Ohio State University Research Foundation

1. Federal Research Contracts/Grants

- a. \$977,945.00 from Department of Health, Education, and Welfare, Public Health Service, National Institutes of Health, National Cancer Institute, Bethesda, Maryland, for Cancer Center Support Grant, under the direction of Office of Medical Affairs, for period June 30, 1974 through May 31, 1975. (Project 3976-A1 - New)
- b. \$450,360.00 from Department of Health, Education, and Welfare, Education Division, Office of Education, Bureau of Educational Personnel Development, Washington, D. C., for National Program in Educational Leadership, under the direction of Mershon Center for Education in National Security, for period July 1, 1971 through December 31, 1975. (Project 3252-A1 - Rev. #8)
- c. \$313,639.00 from Department of Health, Education, and Welfare, Social and Rehabilitation Services, Washington, D. C., for Service Organization and Clients, under the direction of Mershon Center for Education in National Security, for period July 1, 1974 through June 30, 1975. (Project 3269-A4 - Ext. #3)
- d. \$230,678.00 from Department of Health, Education, and Welfare, Public Health Service, National Institutes of Health, National Cancer Institute, Bethesda, Maryland, for Oncology Nursing Programs in Cancer Centers, under the direction of College of Medicine, School of Nursing, for period June 28, 1974 through June 27, 1976. (Project 3974-A1 - New)
- e. \$219,637.00 from Department of Health, Education, and Welfare, Public Health Service, Health Resources Administration, Bureau of Health Resources Development, Bethesda, Maryland, for Family Nurse Practitioner Program, under the direction of College of Medicine, School of Nursing, for period June 24, 1974 through June 30, 1977. (Project 3956-A1 - New)
- f. \$219,040.00 from Department of Health, Education, and Welfare, Public Health Service, National Institutes of Health, Division of Research Resources, Bethesda, Maryland, for General Clinical Research Center--10 Beds, under the direction of Department of Medicine, for period October 1, 1973 through September 30, 1974. (Project 1196-3N - Ext. #11)
- g. \$152,280.00 from Department of Health, Education, and Welfare, Public Health Service, National Institutes of Health, National Cancer Institute, Bethesda, Maryland, for Biohazards Control and Containment in Oncogenic Virus Research, under the direction of Department of Veterinary Pathobiology, for period July 1, 1973 through June 30, 1975. (Project 3750-A1 - Mod. #1)



III. REPORT OF RESEARCH CONTRACTS, GRANTS, GIFTS, AND AGREEMENTS  
(continued)

F. The Ohio State University Research Foundation (continued)

1. Federal Research Contracts/Grants (continued)

- h. \$102,000.00 from Environmental Protection Agency, Chicago, Illinois, for Maumee River Watershed Study, under the direction of Department of Agronomy, for period May 10, 1974 through April 30, 1975. (Project 3977-A1 - New)
- i. \$99,969.00 from Department of Health, Education, and Welfare, Public Health Service, Alcohol, Drug Abuse, and Mental Health Administration, National Institute on Drug Abuse, Rockville, Maryland, for Testing of Drug Delivery Systems for Use in the Treatment of Narcotic Addiction, under the direction of College of Pharmacy, for period June 28, 1973 through June 27, 1975. (Project 3715-A1 - Mod. #4)
- j. \$94,326.00 from Department of Health, Education, and Welfare, Public Health Service, Food and Drug Administration, Rockville, Maryland, for A Relationship Between Pharmacokinetic Distribution of Antimicrobial Drugs and Effectiveness, under the direction of Department of Veterinary Physiology and Pharmacology, for period June 24, 1974 through June 23, 1975. (Project 3958-A1 - New)
- k. \$82,047.00 additional funds from Department of the Air Force, Rome Air Development Center, Griffiss Air Force Base, New York, for Three D Images for Spectral Signature Data, under the direction of Department of Electrical Engineering. (Project 3919-A1 - Mod. #P00001)
- l. \$75,317.00 additional funds from Department of the Air Force, Rome Air Development Center, Griffiss Air Force Base, New York, for Multifunction TDMA Techniques, under the direction of Department of Electrical Engineering. (Project 3364-A1 - Mod. #P00013)
- m. \$60,000.00 additional funds from Department of the Air Force, 4950th Test Wing, Wright-Patterson Air Force Base, Ohio, for Advanced Radar Reflector Studies, under the direction of Department of Electrical Engineering. (Project 3401-A1 - Mod. #P00003)
- n. \$44,151.00 from Department of Health, Education, and Welfare, Public Health Service, National Institutes of Health, National Cancer Institute, Bethesda, Maryland, for Biochemistry of Nitrosourea-Induced Brain Tumors, under the direction of Department of Medicine, for period June 15, 1974 through May 31, 1975. (Project 2069-J - Ext. #9)

III. REPORT OF RESEARCH CONTRACTS, GRANTS, GIFTS, AND AGREEMENTS  
(continued)

F. The Ohio State University Research Foundation (continued)

1. Federal Research Contracts/Grants (continued)

- o. \$42,147.00 from Department of Health, Education, and Welfare, Public Health Service, National Institutes of Health, National Cancer Institute, Bethesda, Maryland, for Design and Evaluation of Antitumor Nucleoside Analogs, under the direction of Department of Chemistry, for period June 30, 1974 through May 31, 1975. (Project 3980-A1 - New)
- p. \$40,247.00 from Department of Health, Education, and Welfare, Public Health Service, Alcohol, Drug Abuse and Mental Health Administration, National Institute of Mental Health, Rockville, Maryland, for Pre-College Social Development Program, under the direction of Office of Minority Affairs, for period June 25, 1974 through May 31, 1975. (Project 3979-A1 - New)
- q. \$39,407.00 from Department of Transportation, Washington, D. C., for Laboratory Spectroscopy of Environmental Pollutants, under the direction of Department of Physics, for period September 15, 1973 through December 31, 1974. (Project 3831-A1 - Mod. #2)
- r. \$36,926.00 from Department of Health, Education, and Welfare, Public Health Service, National Institutes of Health, National Cancer Institute, Bethesda, Maryland, for Anabolic Control in Normal and Neoplastic Tissues, under the direction of Department of Biochemistry, for period June 30, 1974 through May 31, 1975. (Project 1571-J - Ext. #9)
- s. \$34,989.00 from Department of the Navy, Naval Air Development Center, Warminster, Pennsylvania, for On-Aircraft Antennas, under the direction of Department of Electrical Engineering, Electro-Science Laboratory, for period June 26, 1974 through December 25, 1974. (Project 3973-A1 - New)
- t. \$31,782.00 from Department of the Air Force, Office of Scientific Research, Arlington, Virginia, for Aspects of Decision Theory with Applications to Target Recognition and Digital Communications, under the direction of Department of Computer and Information Science, for period June 1, 1972 through June 30, 1975. (Project 3444-A1 - Mod. #AFOSR-72-2351-E)
- u. \$31,631.00 additional funds from Department of the Air Force, 4950th Test Wing, Wright-Patterson Air Force Base, Ohio, for Gas Turbine Transpiration Cooling, under the direction of Department of Mechanical Engineering. (Project 3611-A1 - Mod. #P00003)

III. REPORT OF RESEARCH CONTRACTS, GRANTS, GIFTS, AND AGREEMENTS  
(continued)

F. The Ohio State University Research Foundation (continued)

1. Federal Research Contracts/Grants (continued)

- v. \$30,000.00 from National Aeronautics and Space Administration, Langley Research Center, Hampton, Virginia, for The Application of the General Energy Equation--A Unified Approach to Mechanics, under the direction of Department of Aeronautical and Astronautical Engineering, for period April 1, 1973 through June 30, 1975. (Project 3660-A1 - Sup. #1)
- w. \$27,000.00 from Department of the Navy, Office of Naval Research, Arlington, Virginia, for Combinatorial Problems of Applied Discrete Mathematics, under the direction of Department of Mathematics, for period June 15, 1972 through June 30, 1975. (Project 3430-A1 - Amend. #2)
- x. \$26,312.00 additional funds from Department of the Air Force, Electronic Systems Division, Laurence G. Hanscom Field, Bedford, Massachusetts, for Study of the External Gravity Potential of the Earth, Gravimetric Quantities and Geodetic Parameters Affected by Gravity, under the direction of Department of Geodetic Science. (Project 3368-A1 - Mod. #P00004)
- y. \$21,688.00 additional funds from Department of the Air Force, Electronic Systems Division, Laurence G. Hanscom Field, Bedford, Massachusetts, for Study of the External Gravity Potential of the Earth, Gravimetric Quantities and Geodetic Parameters Affected by Gravity, under the direction of Department of Geodetic Science. (Project 3368-B1 - Mod. #P00004)
- z. \$21,001.00 from Department of Transportation, Federal Aviation Administration, Washington, D. C., for Development of Stall Deterrent Device for Small Airplanes, under the direction of Department of Aviation, for period June 26, 1974 through January 25, 1975. (Project 3962-A1 - New)
- aa. \$21,000.00 from Environmental Protection Agency, Washington, D. C., for EPA Contract Project Officers Training Course, under the direction of College of Administrative Science, Division of Continuing Education, for period July 1, 1974 through March 31, 1975. (Project 3978-A1 - New)
- bb. \$21,000.00 additional funds from Department of the Air Force, 4950th Test Wing, Wright-Patterson Air Force Base, Ohio, for Nuclear Magnetic Resonance Investigation of Electron Damage in Li Doped Silicon, under the direction of Department of Physics. (Project 3909-A1 - Mod. #P00002)

III. REPORT OF RESEARCH CONTRACTS, GRANTS, GIFTS, AND AGREEMENTS  
(continued)

F. The Ohio State University Research Foundation (continued)

1. Federal Research Contracts/Grants (continued)

- cc. \$20,000.00 additional funds from Department of the Air Force, Electronic Systems Division, Laurence G. Hanscom Field, Bedford, Massachusetts, for Study of Gyro-synchrotron Emission in the Solar Atmosphere and of Time Dependent Characteristics of Microwave Bursts, under the direction of Department of Electrical Engineering. (Project 3522-A1 - Mod. #P00002)
- dd. \$20,000.00 from Department of the Army, Army Electronics Commission, Fort George G. Meade, Maryland, for Super-directive Antenna Array Study, under the direction of Department of Electrical Engineering, ElectroScience Laboratory, for period June 3, 1974 through June 30, 1975. (Project 3955-A1 - New)
- ee. \$19,923.00 from Department of Health, Education, and Welfare, Public Health Service, National Institutes of Health, Child Health and Human Development, Bethesda, Maryland, for An Open Model for Population Projection, under the direction of Department of Sociology, for period June 29, 1974 through May 31, 1975. (Project 3975-A1 - New)
- ff. \$18,821.00 from Department of Health, Education, and Welfare, Public Health Service, National Institutes of Health, National Heart and Lung Institute, Bethesda, Maryland, for Research Into Onset of Myocardial Infarction and Sudden Death, under the direction of Department of Preventive Medicine, for period June 22, 1970 through December 31, 1974. (Project 3059-A1 - Mod. #5)
- gg. \$17,981.00 from Department of Health, Education, and Welfare, Public Health Service, National Institutes of Health, National Institute of General Medical Sciences, Bethesda, Maryland, for Spin-Label Investigation of Enzyme Conformation, under the direction of Department of Chemistry, for period June 1, 1974 through May 31, 1975. (Project 3506-A3 - Ext. #2)
- hh. \$15,008.00 from Department of the Army, Medical Research and Development Command, Washington, D. C., for Characterization of the Surfaces of Trypanosoma cruzi and Leishmania enriettii Parasites, under the direction of Department of Microbiology, for period July 1, 1974 through June 30, 1975. (Project 3967-A1 - New)
- ii. \$15,000.00 additional funds from Department of the Air Force, 4950th Test Wing, Wright-Patterson Air Force Base, Ohio, for Permanent and Temporary Shifts in Hearing Threshold Produced by Exposure to Air Force Noise, under the direction of Department of Otolaryngology. (Project 3873-A1 - Mod. #P00001)

III. REPORT OF RESEARCH CONTRACTS, GRANTS, GIFTS, AND AGREEMENTS  
(continued)

F. The Ohio State University Research Foundation (continued)

1. Federal Research Contracts/Grants (continued)

- jj. \$5,000.00 from Department of the Air Force, Rome Air Development Center, Griffiss Air Force Base, New York, for Isoplanatic Patch Size Measurements at 10.6 Microns, under the direction of Department of Electrical Engineering, for period March 1, 1973 through September 30, 1974. (Project 3638-A1 - Mod. #P00002)
- kk. \$2,715.00 additional funds from Department of the Army, Eustis Directorate, Fort Eustis, Virginia, for investigation of Gear Dynamic Signal Analysis, under the direction of Department of Mechanical Engineering. (Project 3707-A1 - Mod. #P00003)
- ll. \$1,500.00 additional funds from U. S. Civil Service Commission, Washington, D. C., for Inter Government Training Course Preparation and Instruction, under the direction of College of Administrative Science, Division of Continuing Education. (Project 3808-G1 - Purchase Order Dtd. 7/10/74)
- mm. \$190.00 additional funds from Department of the Army, Harry Diamond Laboratories, Washington, D. C., for Theoretical and Experimental Research on Adaptive Array Antenna System, under the direction of Department of Electrical Engineering. (Project 3435-A1 - Mod. #P00003)

TOTAL - Federal Research Contracts/Grants \$3,682,657.00

2. State of Ohio Research Contracts/Grants

- a. \$23,989.00 from State of Ohio, Department of Mental Health and Mental Retardation, Columbus, Ohio, for Delivery of Mental Health Services in the Xenia Disaster, under the direction of Department of Sociology, for period June 1, 1974 through February 28, 1975. (Project 3954-A1 - New)
- b. \$20,772.00 from State of Ohio, Department of Mental Health and Mental Retardation, Columbus, Ohio, for Follow-up of First-Grade Preventive Mental Health Intervention Group, under the direction of Department of Psychiatry, for period July 1, 1974 through June 30, 1975. (Project 3960-A1 - New)
- c. \$6,152.00 from State of Ohio, Department of Economic and Community Development, Columbus, Ohio, for Ohio Quality of Work Project Data Bank, under the direction of Academic Faculty of Management Science, for period July 1, 1974 through September 30, 1974. (Project 3984-A1 - New)

III. REPORT OF RESEARCH CONTRACTS, GRANTS, GIFTS, AND AGREEMENTS  
(continued)

F. The Ohio State University Research Foundation (continued)

2. State of Ohio Research Contracts/Grants (continued)

- d. \$5,167.00 from State of Ohio, Department of Mental Health and Mental Retardation, Columbus, Ohio, for Prediction and Comparison of Stimulant Benefit in Hyperkinetic Children, under the direction of Department of Psychiatry, for period July 1, 1974 through June 30, 1975. (Project 3961-A1 - New)

TOTAL - State of Ohio Research Contracts/Grants \$56,080.00

3. Industrial, Subcontracts/Grants and Other Non-Federal Research Contracts/Grants

- a. \$106,700.00 additional funds from World Health Organization, Geneva, Switzerland, for Studies of the Antifertility Effects of Immunizations of Baboons, under the direction of Department of Obstetrics and Gynecology. (Project 3686-B1 - Agreement #H9/181/102[A])
- b. \$92,622.00 from Procter and Gamble Company, Cincinnati, Ohio, for Study of Dental Caries, under the direction of College of Dentistry, for period July 1, 1974 through June 30, 1975. (Project 2065-E - Ext. #8)
- c. \$22,808.00 from Modern Language Association of America, University of South Carolina, Columbia, South Carolina, for Hawthorne Edition, under the direction of Department of English, for period September 1, 1974 through August 31, 1975. (Project 2338-H - Ltr. Dtd. 7/1/74)
- d. \$19,916.00 additional funds from Leukemia Society of America, New York, New York, for Metabolic Characteristics of the Cellular Immune Response, under the direction of Department of Medicine. (Project 3706-A1 - Ltr. Dtd. 7/1/74)
- e. \$10,766.00 from Research Foundation of State University of New York, New York State Sea Grant Programs, Albany, New York, for EDBD for Great Lakes and New York Bight from Sources Within Ohio, under the direction of College of Biological Sciences, Center for Lake Erie Area Research, for period July 1, 1974 through June 30, 1975. (Project 3959-A1 - New)
- f. \$7,808.00 from Morris Animal Foundation, Denver, Colorado, for Transplacental Canine Distemper Virus Infection, under the direction of Department of Veterinary Pathobiology, for period July 1, 1974 through June 30, 1975. (Project 3983-A1 - New)

III. REPORT OF RESEARCH CONTRACTS, GRANTS, GIFTS, AND AGREEMENTS  
(continued)

F. The Ohio State University Research Foundation (continued)

3. Industrial, Subcontracts/Grants and Other  
Non-Federal Research Contracts/Grants (continued)

- g. \$2,550.00 from City of Columbus, Department of Public Safety, Columbus, Ohio, for Evaluation of Helicopter Bureau Operations, Division of Police, City of Columbus, under the direction of College of Administrative Science, Division of Public Administration, for period June 25, 1974 through July 31, 1974. (Project 3965-A1 - New)
- h. \$1,954.00 from Adult Probation Department, Franklin County Court of Common Pleas, Columbus, Ohio, for Franklin County Probation Department Management Communication Training, under the direction of College of Administrative Science, Division of Public Administration, for period June 1, 1974 through July 31, 1974. (Project 3966-A1 - New)

TOTAL - Industrial, Subcontracts/Grants and Other  
Non-Federal Research Contracts/Grants \$265,124.00

G. The Engineering Experiment Station

1. Federal Research Contracts

- a. \$24,486.00 from U. S. Department of the Interior, Washington, D. C., for Director's Account, OWRR FY 75 Allotment Program, under the direction of Department of Civil Engineering, for period July 1, 1974 through June 30, 1975. (EES 485)
- b. \$11,603.00 from U. S. Department of the Interior, Washington, D. C., for Chemical Aspects of the Toxicity of Chlorinated Effluents, under the direction of Department of Civil Engineering, for period July 1, 1973 through June 30, 1975. (EES 490)
- c. \$9,888.00 from U. S. Department of the Interior, Washington, D. C., for The Effects of Coal Gasification on Water Quality and Quantity, under the direction of Department of Civil Engineering, for period July 1, 1974 through June 30, 1975. (EES 489)
- d. \$9,358.00 from U. S. Department of the Interior, Washington, D. C., for Methane in Lake Erie; Analysis of Mechanisms of Production and of Amounts Produced, under the direction of Department of Microbiology, for period July 1, 1974 through June 30, 1976. (EES 488)
- e. \$9,034.00 from U. S. Department of the Interior, Washington, D. C., for Oxygen Profiles in a Stratified Lake, under the direction of Department of Civil Engineering, for period July 1, 1974 through June 30, 1976. (EES 486)

III. REPORT OF RESEARCH CONTRACTS, GRANTS, GIFTS, AND AGREEMENTS  
(continued)

G. The Engineering Experiment Station (continued)

1. Federal Research Contracts (continued)

- f. \$7,400.00 from U. S. Department of the Interior, Washington, D. C., for Simulation Modeling of Tritium Kinetics in a Fresh-Water Lake, under the direction of Ohio Cooperative Wildlife Research Unit, for period July 1, 1974 through March 31, 1976. (EES 487)

TOTAL - Federal Research Contracts \$71,769.00

2. State of Ohio Research Contracts

- a. \$57,600.00 from Ohio Department of Transportation, Columbus, Ohio, for Study of Pavement Overlay Design, under the direction of Department of Civil Engineering, for period July 1, 1974 through June 30, 1975. (EES 457)
- b. \$2,640.00 from Ohio Department of Transportation, Columbus, Ohio, for Development of a Unified Bus Modal-Split Models for Ohio Cities Based on Census and Attitude Data, under the direction of Department of Civil Engineering, for period August 1, 1974 through September 15, 1974. (EES 459)

TOTAL - State of Ohio Research Contracts \$60,240.00

3. Industrial and Other Research Contracts

- a. \$19,920.00 from American Iron & Steel Institute, New York, New York, for Experimental Determination of Combustibility, under the direction of Department of Chemical Engineering, for period May 1, 1974 through April 30, 1975. (EES 307)
- b. \$8,325.00 from Dayco Corporation, Waynesville, North Carolina, for Investigation of the Dynamic Properties of Printing Blankets, under the direction of Department of Mechanical Engineering, for period June 27, 1974 through June 26, 1975. (EES 484)

TOTAL - Industrial and Other Research Contracts \$28,245.00

H. The Ohio State University Development Fund

1. Gifts of \$5,000 or More

- a. \$91,760.47 from Charles H. Kimberly Trusts, New York, New York, for the Kimberly Fund for Chemistry.
- b. \$59,380.35 from the Estate of Melvin E. Moffitt, San Antonio, Texas, for his unrestricted named fund.



III. REPORT OF RESEARCH CONTRACTS, GRANTS, GIFTS, AND AGREEMENTS  
(continued)

H. The Ohio State University Development Fund (continued)

1. Gifts of \$5,000 or More (continued)

- c. \$50,000.00 from the McGregor Fund, Detroit, Michigan, for awarding scholarships to students in the donor-designated graduate and undergraduate programs of the College of Administrative Science.
- d. \$33,577.92 from The Associates of Medicine, Columbus, Ohio, for continued support of the Department of Medicine General Fund.
- e. \$25,000.00 from The International Nickel Company of Canada, Limited, New York, New York, for their Professorship in Corrosion Science and Engineering.
- f. \$22,783.00 from Eli Lilly and Company, Indianapolis, Indiana--\$10,000.00 for support of cardiology research, \$7,783.00 for research study of the drug - dobutamine, and \$5,000.00 for infectious disease research.
- g. \$20,000.00 from Battelle Memorial Institute, Columbus, Ohio, for their Professorship in Metallurgical Engineering.
- h. \$20,000.00 from Emerson S. Zuck Trust, Orlando, Florida, for Mr. and Mrs. Zuck's named endowment fund to provide loans to needy and deserving students.
- i. \$16,644.97 from Louise Orr Scott Foundation, Columbus, Ohio--\$12,483.73 for scholarships in the College of Medicine and \$4,161.24 for scholarships in the College of Pharmacy.
- j. \$13,390.49 from Estate of Zillah M. Scott, Marysville, Ohio, for a research fund in pulmonary and respiratory care research.
- k. \$12,000.00 from Central Ohio Lung Association, Columbus, Ohio, for a fellowship fund in the Department of Medicine.
- l. \$9,000.00 from Merrell-National Laboratories, Division of Richardson-Merrell, Inc., Cincinnati, Ohio, for gastroenterology research.
- m. \$8,767.00 from Borden Foundation, Inc., Columbus, Ohio--\$5,767.00 for the Clinical and Experimental Neuromuscular Disease Fund and \$3,000.00 for the Student Athlete Grant-in-Aid Fund.
- n. \$8,650.00 from The George Gund Foundation, Cleveland, Ohio, for support of the Ohio 4-H Club programs in the College of Agriculture and Home Economics.

III. REPORT OF RESEARCH CONTRACTS, GRANTS, GIFTS, AND AGREEMENTS  
(continued)

H. The Ohio State University Development Fund (continued)

1. Gifts of \$5,000 or More (continued)

- o. \$8,200.00 from The Yassenoff Foundation, Inc., Columbus, Ohio, for various projects at the University.
- p. \$8,000.00 from Ohio Turfgrass Foundation, Bowling Green, Ohio, for research in the Department of Agronomy.
- q. \$7,500.00 from Pitman-Moore, Inc., Washington Crossing, New Jersey, for infectious disease research in the Department of Pathobiology in the College of Veterinary Medicine.
- r. \$7,045.00 from Mr. and Mrs. Ralph W. Kurtz, Tampa, Florida, for research in the College of Medicine.
- s. \$6,000.00 from Sterling-Winthrop Research Institute, Rensselaer, New York, for retinal research.
- t. \$6,000.00 from United Fund of Central Stark County, Canton, Ohio, for gastroenterology research.
- u. \$5,700.00 from Ohio Florists Association, Columbus, Ohio, for their named fellowship fund.
- v. \$5,000.00 from Allied Chemical Foundation, Morristown, New Jersey, for their fellowship fund.
- w. \$5,000.00 from The Allstate Foundation, Hudson, Ohio, for their scholarship program in nursing.
- x. \$5,000.00 from The Bremer Foundation, Youngstown, Ohio (given in the name of Mrs. Marie R. Bremer), for the College of Medicine.
- y. \$5,000.00 from George F. Lonz Foundation, Middle Bass, Ohio, for support of the Department of Horticulture's program in Enology and Viticulture.
- z. \$5,000.00 from The Procter & Gamble Company, Cincinnati, Ohio, for the Veterinary Pathobiology Graduate Training Fund.
- aa. \$5,000.00 from Southgate Shopping Center Corporation, Newark, Ohio (given in the name of John J. O'Neill), for scholarships for the Newark Campus.
- bb. \$5,000.00 from Fritz Straumann, Waldenburg, Switzerland, for support of research in Veterinary Surgery.

III. REPORT OF RESEARCH CONTRACTS, GRANTS, GIFTS, AND AGREEMENTS  
(continued)

H. The Ohio State University Development Fund (continued)

2. Establishment of Named Funds

- a. \$393,655.06 from the Bert W. Martin Chair in Agricultural Sciences for the establishment of the Bert W. Martin Fund.

Bert W. Martin Fund

The Bert W. Martin Fund was established September 6, 1974, by the Board of Trustees of The Ohio State University, with a gift from the Bert W. Martin Foundation and Bert W. and Ada L. Martin in 1963. The proceeds from this gift were used originally for the establishment of the Bert W. Martin Chair in Agricultural Sciences on February 9, 1967.

When the Chair was originally established, it was hoped that additional contributions would make it possible to fully endow a Chair within a relatively short period of time. It is now clear that individuals other than the principal donor (now deceased) are not likely to contribute to complete the funding of this Chair.

It is deemed desirable that the Bert W. Martin Fund be established for the general purposes of the College of Agriculture and Home Economics in furtherance of programs and activities in that College.

- b. \$63,251.54 from faculty, staff, students, and friends of James R. McCoy for the establishment of The James R. McCoy Scholarship Fund.

The James R. McCoy Scholarship Fund

The James R. McCoy Scholarship Fund was established September 6, 1974, by the Board of Trustees of The Ohio State University with gifts through the Development Fund from faculty, staff, students, and friends to honor James R. McCoy, B.S. Bus. Adm. 1934, M.B.A. 1936, Dean of the College of Administrative Science from 1959 to 1974 and member of the Accounting Faculty for 39 years.

Gifts may be designated for specific programs in the College and are to be invested in the University's Permanent Endowment Fund, under the rules and regulations adopted by the Board of Trustees of The Ohio State University, with the right to invest and reinvest as occasion dictates.

The annual income is to be used to award scholarships to students in the donor-designated graduate and undergraduate programs of

III. REPORT OF RESEARCH CONTRACTS, GRANTS, GIFTS, AND AGREEMENTS  
(continued)

H. The Ohio State University Development Fund (continued)

2. Establishment of Named Funds (continued)

b. The James R. McCoy Scholarship Fund (continued)

the College of Administrative Science upon the recommendations of the separate program directors and/or the faculty chairmen, the College Scholarship Committee, and the Dean of the College.

Should the College of Administrative Science cease to exist through any reorganization of the University, then the scholarships are to be awarded upon the recommendation of the appropriate administrative official of the University who is then directly responsible for existing higher education programs now resident in the College.

c. \$1,450.00 from friends of Arthur M. Culler for the establishment of The Arthur M. Culler Memorial Lecture Fund.

The Arthur M. Culler Memorial Lecture Fund

The Arthur M. Culler Memorial Lecture Fund was established September 6, 1974, by the Board of Trustees of The Ohio State University with gifts from friends of the late Arthur M. Culler, M. D., former chairman of the Department of Ophthalmology at The Ohio State University.

All gifts to this fund are to be invested in the University's Permanent Endowment under the rules and regulations adopted by the Board of Trustees of The Ohio State University, with the right to invest and reinvest as occasion dictates.

The annual income is to be used to provide honorariums and expenses for visiting professors invited to lecture by the Department of Ophthalmology.

Should the need for this fund cease to exist or so diminish as to provide unused income, then the income may be used for any purpose whatsoever as determined by the Board of Trustees, with preference being given to recommendations from the appropriate administrative official of the University who is then directly responsible for medical education.

\*

\*

\*

IV. BUSINESS AND ADMINISTRATION

A. Engineers/Architects

1. Academic Facilities Field Audit, The Ohio State University

President Enarson recommended that the firm of William Gould and Associates, Cleveland, Ohio, be employed to perform the architectural, mechanical, electrical, and safety inspections of all academic facilities that were constructed prior to 1962 on The Ohio State University campus. The report will include the estimates of cost to correct any deficiencies uncovered as a result of the inspections.

The consulting firm was selected by the Ohio Board of Regents which is sponsoring the program. The fee for this service is \$104,026.00 and has been approved by the Department of Administrative Services, Division of Public Works.

Funds for this service have been provided from H. B. 985 (Utilities and Renovations).

Upon motion of Mr. Harrod, seconded by Mrs. James, the above recommendation was approved by unanimous roll call vote.

B. Plans and Specifications

1. Advertised Projects

At the request of the Vice President for Business and Administration, President Enarson recommended that the plans and specifications, bills of materials, and estimates of cost for the following projects be approved by the Board of Trustees.

a. Royer Commons, Remodeling (Phase I)

This project will provide office space for student activities, a library, and a listening center. The first phase of this refurbishing of Royer Commons will be in the lower level only.

Funds are budgeted in Budget Account 998295 (Dorm Contingency Fund).

b. Drackett Tower, North Commons--Chilled Water Cross Connection

This project will provide cooling for two facilities with one chiller during periods of reduced occupancy with subsequent energy conservation.

Funds are budgeted in Budget Account 998295 (Dorm Contingency Fund).

IV. BUSINESS AND ADMINISTRATION (continued)

B. Plans and Specifications (continued)

1. Advertised Projects (continued)

c. Goss Laboratory - Veterinary Hospital--Chilled Water Loop

This project will permit a boiler and chiller in the Veterinary Clinic to furnish chilled water cooling to both facilities, thus effecting a savings in natural gas consumption by operating the boiler in a higher efficiency range.

Funds are budgeted in Budget Account 126070 (Contract Repair).

Upon motion of Mr. Dunlap, seconded by Mr. Gushman, the above recommendation was approved by unanimous roll call vote, and the Secretary was authorized and directed to sign the plans and specifications for the above projects for and on behalf of the Board of Trustees. The Vice President for Business and Administration was directed to proceed with a request for bids in the normal University manner, and if satisfactory bids are received to proceed with the award of contracts. All action regarding this matter will be reported to the Board of Trustees at a later meeting.

2. Request for Bids Through The Ohio State University Purchasing Department

At the request of the Vice President for Business and Administration, President Enarson recommended that the plans and specifications and estimate of cost for the following project be approved by the Board of Trustees to obtain bids through The Ohio State University Purchasing Department:

a. Calf-Holding Shed, Moores Demonstration Farm, Ashland County, Ohio

This structure will provide shelter for 60 to 90 calves each year. Construction will be an all-metal clear-span prefab structure approximately 40 feet by 110 feet.

Funds are budgeted in Budget Account 921000 (Moores Farm).

Upon motion of Mr. Dunlap, seconded by Mr. Gushman, the above recommendation was approved by unanimous roll call vote. The Vice President for Business and Administration was directed to proceed with a request for bids through The Ohio State University Purchasing Department in their normal manner, and if a satisfactory bid is received to proceed with the issuance of the necessary purchase orders. All action regarding this matter will be reported to the Board of Trustees at a later meeting.

IV. BUSINESS AND ADMINISTRATION (continued)

C. Report of Award of Contracts

1. Cancellation of Project

On May 3, 1974, the Board of Trustees approved the following project to be advertised for the completion of construction:

a. Parking Lot Renovation--Eleventh and Worthington Avenues

This site is now proposed for a recreation building and tennis courts to serve the South Campus area. Therefore, it was recommended that this project be cancelled.

Upon motion of Mr. Hilliker, seconded by Mr. Devenow, the above cancellation was approved by unanimous roll call vote.

2. Award of Contracts

In accordance with authorization provided by the Board of Trustees, bids were taken on the projects listed below and the contracts were recommended for award. The action reported to the Board was as follows:

a. Campbell Hall, Office Improvements

	<u>Low Bid</u>	<u>Est. of Cost</u>
<u>General Contract</u> (3 bids received 8-7-74) Ed Ross Construction Co. (Westerville)	\$ 18,400.00*	\$ 17,701.00
<u>Mechanical Contract</u> (3 bids received 8-7-74) Johnson Sheet Metal Shop (Columbus)	2,000.00	6,006.00
<u>Electrical Contract</u> (2 bids received 8-7-74) Pence Electric Co. (Columbus)	<u>9,074.00*</u>	<u>5,940.00</u>
<u>Total All Contracts</u>	<u>\$ 29,474.00</u>	<u>\$ 29,647.00</u>

\*The General and Electrical Contract bids received were over the estimates of cost, but it is believed that no better bids could be obtained by readvertising.

Funds are budgeted in H. B. 985 (Utilities and Renovations).

September 6, 1974 meeting, Board of Trustees

IV. BUSINESS AND ADMINISTRATION (continued)

C. Report of Award of Contracts (continued)

2. Award of Contracts (continued)

b. Mahoning County Area Extension Center

	<u>Low Bid</u>	<u>Est. of Cost</u>
General Contract (7 bids received 7-11-74) Wallace Builders (New Bedford, Pennsylvania)		
Base bid	\$127, 839.00	\$138, 000.00
Alt. G-1 Additional offices for area extension center	+ 3, 940.00	+ 4, 912.00
Alt. G-2 Additional offices for county extension center	+ 3, 940.00	+ 4, 912.00
Alt. G-4 Additional parking area	+ 2, 820.00	+ 3, 817.00
Alt. G-5 Asphalt pavement for drive and primary parking area	+ 8, 660.00	+ 7, 392.00
Alt. G-7 Folding partitions, meeting room and demonstration area	+ 1, 471.00	+ 2, 957.00
Alt. G-8 Carpeting secretarial areas, waiting areas, office corridors, reception and office areas	+ 2, 872.00	+ 8, 756.00
Alt. G-9 Carpeting additional areas, extension offices and corridor	+ 322.00	+ 317.00
Alt. G-10 Carpeting additional county extension offices and corridor	+ 322.00	+ 317.00
Alt. G-11 Acoustic ceilings in meeting room, secretarial areas and lobby	+ 2, 279.00	+ 880.00
Alt. G-12 Ceramic tile floors and wainscoting, toilet rooms	+ 2, 254.00	+ 4, 369.00
Alt. G-13 Flagpole	+ 495.00	+ 900.00
Total Contract	<u>\$157, 214.00</u>	<u>\$177, 529.00</u>



September 6, 1974 meeting, Board of Trustees

IV. BUSINESS AND ADMINISTRATION (continued)

C. Report of Award of Contracts (continued)

2. Award of Contracts (continued)

b. Mahoning County Area Extension Center (continued)

	<u>Low Bid</u>	<u>Est. of Cost</u>
<u>Plumbing Contract</u> (6 bids received 7-11-74)		
Continental Plumbing Company (Youngstown, Ohio)	\$ 19,800.00	\$ 21,100.00
<u>Heating, Ventilating, and Air Conditioning Contract</u> (6 bids received 7-11-74)		
Roth Bros. Cooling & Heating, Inc. (Youngstown, Ohio)		
Base bid	\$ 26,166.00	\$ 38,400.00
Alt. HVAC-1 HVAC Additional area extension offices	+ 1,222.00	+ 1,500.00
Alt. HVAC-2 HVAC Additional county extension offices	+ 1,222.00	+ 1,500.00
Total Contract	<u>\$ 28,610.00</u>	<u>\$ 41,400.00</u>
<u>Electrical Contract</u> (6 bids received 7-11-74)		
Waynco Electric Company (Mineral Ridge, Ohio)		
Base bid	\$ 29,173.00	\$ 30,500.00
Alt. E-1 Electric work for additional area extension offices	+ 927.00	+ 540.00
Alt. E-2 Electric work for additional county extension offices	+ 946.00	+ 540.00
Total Contract	<u>\$ 31,046.00</u>	<u>\$ 31,580.00</u>
<u>Total All Contracts</u>	<u>\$236,670.00</u>	<u>\$271,609.00</u>

Funds for this project have been provided in H. B. 985, Item 315-087 (Mahoning County Area Extension Center).

September 6, 1974 meeting, Board of Trustees

IV. BUSINESS AND ADMINISTRATION (continued)

C. Report of Award of Contracts (continued)

2. Award of Contracts (continued)

c. Physical Education Building--Improvements (Phase I - Floor)

	<u>Low Bid</u>	<u>Est. of Cost</u>
<u>General Contract</u> (2 bids received 7-9-74 Rebid) Ed Ross Construction Co. (Westerville, Ohio)	\$ 98,500.00	\$109,928.00

Funds for this project have been provided in H. B. 985 (Utilities and Renovations).

d. Tennis Courts--New Locations

	<u>Low Bid</u>	<u>Est. of Cost</u>
<u>General Contract</u> (4 bids received 7-24-74 Rebid) Strawser Paving Co., Inc. (Columbus)		
Base bid	\$126,056.00	\$141,121.00
Substitution of anchor fence	- 4,900.00	-0-
Delete asphalt prime sub-base	- 1,500.00	-0-
Total Contract	<u>\$119,656.00</u>	<u>\$141,121.00</u>
<u>Electrical Contract</u> (3 bids received 7-9-74) Electric Power Equipment Co. (Columbus)	\$ 19,932.00	\$ 20,284.00
<u>Total All Contracts</u>	<u>\$139,588.00</u>	<u>\$161,405.00</u>

Funds for this project have been provided from Budget Account 801296 (Tennis Courts - New Locations).

e. Vivian Hall Partial Remodeling

	<u>Low Bid</u>	<u>Est. of Cost</u>
<u>General Contract</u> (3 bids received 7-11-74) Waller & Lund, Inc. (Columbus)		
Base bid	\$ 30,870.00	\$ 40,000.00
Alt. G-1 Finish work in Room 219 Teaching Laboratory	+ 1,470.00	+ 750.00
Total Contract	<u>\$ 32,340.00</u>	<u>\$ 40,750.00</u>

September 6, 1974 meeting, Board of Trustees

IV. BUSINESS AND ADMINISTRATION (continued)

C. Report of Award of Contracts (continued)

2. Award of Contracts (continued)

e. Vivian Hall Partial Remodeling (continued)

	<u>Low Bid</u>	<u>Est. of Cost</u>
<u>Plumbing Contract</u> (3 bids received 7-26-74 Rebid) Diewald & Pope, Inc. (Columbus)		
Base bid	\$ 2,780.00	\$ 5,000.00
Alt. P-1 Extension of gas and air piping from Room 208 to fittings in Room 207	+ 192.00	+ 1,000.00
Total Contract	<u>\$ 2,972.00</u>	<u>\$ 6,000.00</u>
<u>Electrical Contract</u> (3 bids received 7-26-74 Rebid) Staten Electric Co. (Columbus)		
Base bid	\$ 15,995.00	\$ 22,000.00
Alt. E-1 Electrical work in Room 219	+ 1,164.00	+ 600.00
Total Contract	<u>\$ 17,159.00</u>	<u>\$ 22,600.00</u>
<u>Total All Contracts</u>	<u>\$ 52,471.00</u>	<u>\$ 69,350.00</u>

Funds have been provided in H. B. 985 (Utilities and Renovations)

f. Ambulatory Patient Teaching Facility - Quadrangle Green Area

Quotations were requested and received from the original contractors on the project known as "Ambulatory Patient Teaching Facility," July 1974. The following bids were received and accepted to complete the work on the Quadrangle Green Area project. Change orders have been issued as follows:

<u>General Contract</u> Robert Setterlin & Sons Co. (Columbus)	\$125,800.00
<u>Plumbing Contract</u> The Gesling Company (Columbus)	13,475.00

September 6, 1974 meeting, Board of Trustees

IV. BUSINESS AND ADMINISTRATION (continued)

C. Report of Award of Contracts (continued)

2. Award of Contracts (continued)

f. Ambulatory Patient Teaching Facility - Quadrangle Green Area  
(continued)

<u>Electrical Contract</u>	
<u>The Electric Power Equipment Co. (Columbus)</u>	<u>\$ 30,696.00</u>
<u>Total Change Orders</u>	<u>\$169,971.00</u>

Funds for this project have been provided from Budget Account 801221 (Ambulatory Patient Teaching Facility).

Upon motion of Mr. Hilliker, seconded by Mr. Devenow, the above award of contracts and expenditure of funds were approved and the action of the Vice President for Business and Administration was ratified by unanimous roll call vote.

D. Other

1. Lease Agreement, Affiliation Agreement, and Service Contract Between the Veterans Administration, Washington, D. C., and The Ohio State University, Columbus, Ohio

A proposed Lease Agreement, Affiliation Agreement, and Service Contract have been developed between this University and the Veterans Administration to provide patient care, education and training to veterans and research in support of these activities.

Under these agreements the University will house the necessary personnel, supplies, and equipment in support of these activities in the University Hospitals Clinic Facility. The University will be reimbursed in full for these services.

President Enarson recommended that the Secretary of the Board of Trustees be authorized to enter into the Lease, Affiliation Agreement, and Service Agreement with the Veterans Administration on behalf of The Ohio State University and that a copy of these documents be filed with the records of the Board of Trustees.

Upon motion of Mr. Devenow, seconded by Mr. Dunlap, the Board of Trustees approved the foregoing recommendation by unanimous roll call vote.

IV. BUSINESS AND ADMINISTRATION (continued)

D. Other (continued)

2. Lease Agreement - Board of County Commissioners of Franklin County and the Board of Trustees of The Ohio State University

The Board of County Commissioners of Franklin County, Ohio, and the administration of The Ohio State University have agreed that it would serve the best interests of both parties as well as the citizens of Franklin and surrounding counties to locate the new County Coroner's Office facilities, laboratory, and morgue in close proximity to The Ohio State University medical facilities so as to provide the fullest possible educational opportunity for the students and faculty of this University.

Under this agreement, The Ohio State University will lease to the Board of County Commissioners of Franklin County a parcel of University land situated at the northeast corner of the intersection of Cannon Drive and King Avenue, consisting of approximately one acre for a period of 40 years for the purpose of constructing a facility to house the County Coroner's Office, a morgue and crime laboratory to serve Franklin County and other surrounding counties.

It is understood in making this site available to the County Commissioners that this facility will be available to the University in support of its various educational programs.

It was recommended that the President and/or Vice President for Business and Administration be authorized to sign the lease which has been negotiated with the Board of County Commissioners of Franklin County in the form approved by the Attorney General of Ohio on behalf of the Board of Trustees of The Ohio State University, and that a copy of this lease be filed with the records of the Board of Trustees.

Upon motion of Mr. Kessler, seconded by Dr. Sirak, the Board of Trustees approved the foregoing recommendation by unanimous roll call vote.

3. Leases for Food Service Operations in the Ohio Union

A special presidential task force was appointed for the purpose of studying and making recommendations concerning the food services being provided by this University. The task force found that increasing financial losses were being experienced in the various food service operations within the Ohio Union because of an apparent lack of student use.

Because of this, continued operation by the University of food service in those areas was a waste of University resources and this space was no longer needed for that purpose. The specific areas involved are the Tavern, the South Terrace, the Franklin Room, the Sweet Shop, and a portion of the present cafeteria. In an effort to be responsive to this

IV. BUSINESS AND ADMINISTRATION (continued)

D. Other (continued)

3. Leases for Food Service Operations in the Ohio Union (continued)

problem, the task force recommended that consideration be given to leasing these areas which would be of no current use to the University to private enterprise for the purpose of providing convenience food service until such time as the University may have further need for this space.

Bids were solicited in accordance with the specifications developed by the Ohio Union and the Purchasing Department. One-year lease agreements have now been negotiated with four private companies for the purpose of providing this service. The agreements have been prepared by the University's legal counsel. President Enarson requested that the recommendation of the task force be accepted and that these agreements with McDonald's University Services, Inc., Shakey's Pizza, Findley Sweet Shack, Fruit Drinks, Inc., respectively be approved by this Board so that this service might be available for this coming quarter.

Upon motion of Mr. Harrod, seconded by Mrs. James, the Board of Trustees approved the above recommendation by unanimous roll call vote.

E. Report of Controlling Board Actions Pertaining to The Ohio State University

- 1 Approves the release of \$263,000.00 from H. B. 985, Item 315-086 (Jackson County Area Extension Center), to award the General, Plumbing, Heating, Ventilating and Air Conditioning, and Electrical Contracts for the project known as "Jackson County Area Extension Center."
- 2 Approves the release of \$10,000.00 from H. B. 985, Item 315-074 (Utilities and Renovations) for planning funds for the project known as "Haskett Hall Remodeling."
- 3 Approves the release of \$16,000.00 from H. B. 985, Item 315-074 (Utilities and Renovations) for planning funds for the project known as "Central Campus Energy Control Center."
- 4 Approves the release of \$43,116.00 from H. B. 985, Item 315-074 (Utilities and Renovations) for architect's services through the design stage for the project known as "Lincoln Tower Remodeling."
- 5 Approves the release of \$117,000.00 from H. B. 985, Item 315-074 (Utilities and Renovations) to award the General Contract for the project known as "Physical Education Building."

\*

\*

\*

V. REPORTS

A. Expenses for Designated Administrative Officials

Mr. Devenow moved that the Finance Committee be authorized to provide from the unrestricted gifts to the University Endowment Fund on an appropriate basis, to the President and designated University officials, reimbursement for expenditures which are directly and necessarily related to the performance of their assigned responsibilities and in the best interests of the University.

Mr. Gushman seconded the motion which was approved by unanimous roll call vote.

B. Ratification of Amendments to The Ohio State University Development Fund Constitution

Mr. Gushman made the following statement and recommendation:

About a year ago I was asked to serve as a representative from this Board as a member of a committee to study the relationship of The Ohio State University Association with the Development Fund and the University. This committee had been appointed for the purpose of reviewing the structure of this University's Development Fund and its interrelationship to the University and to The Ohio State University Association, and at the same time to review the organizational structures of similar agencies associated with other universities in this country. During this past year members of this committee have had numerous meetings and have undertaken an extensive review of this subject, interviewing literally dozens of people, both at this University and at other universities.

A series of recommended amendments to the Constitution of The Ohio State University Development Fund have now been developed by the committee, which I believe will make the Development Fund a more effective organization in providing financial support to this University and at the same time clarify its relationship to the University and to The Ohio State University Association. You have in the back of your book the printed Constitution and By-Laws of the Development Fund which contain the detail of these changes. (See pages 169-170.) I might highlight them by pointing out that

1. The position of Director of Development is created by this change and he is to be a person other than the Director of Alumni Affairs. This job will carry the responsibility of Chief Executive Officer of the Development Fund.

V. REPORTS (continued)

B. Ratification of Amendments to The Ohio State University Development Fund Constitution (continued)

Mr. Gushman's statement and recommendation (continued)

2. A Steering Committee is created consisting of four members, including the Chairman of the Development Fund Board, the Director of The Ohio State University Association, the Chief Financial Officer of the University, and a Vice President of the University appointed by the President. This body shall have administrative, coordinating and advisory responsibilities to give guidance and general direction to day-to-day operations of the Development Fund.
3. The Director of The Ohio State University Association now becomes a member of the Board of Directors of the Development Fund.
4. The number of Board meetings was enlarged from two to four per year.

By rule these amendments before they can become a part of The Ohio State University Development Fund Constitution must be favorably acted upon by the Development Fund Board of Directors, by The Ohio State University Association, and by this Board. This action has now been taken by the Development Fund Board. It has been appropriately ratified by the Association Board and incidentally, by the Alumni Advisory Board as well. And therefore, all that remains is favorable action by this Board before these Constitutional changes can be implemented, and it is my pleasure to recommend them to this Board.

I must say before closing that this committee, under the leadership of Mr. Jacob Davis, undertook a most difficult task and one which many people thought was literally unsolvable. And at several points, the committee and the various interested parties were at a complete impasse and only the patience and hard work of the committee, and particularly Mr. Jacob Davis and Mr. Wesley Leas, made what I consider a fine solution possible. Therefore, in addition to moving the adoption of the changes, I would like to move that the Secretary of this Board be directed to forward to the members of the study committee this Board's commendation for their outstanding service on behalf of this University in the development of these recommendations.

Upon motion of Mr. Gushman, seconded by Mr. Harrod, the Board of Trustees approved the foregoing amendments to the Constitution of The Ohio State University Development Fund by unanimous voice vote.



September 6, 1974 meeting, Board of Trustees

CONSTITUTION  
OF  
THE OHIO STATE UNIVERSITY  
DEVELOPMENT FUND

ARTICLE II. BOARD OF DIRECTORS

Section 3. Manner of Selection. Insert after "Ten (10) of the Directors" the following: "shall represent The Ohio State University Association; one (1) of these Directors shall be the Director of Alumni Affairs of The Ohio State University Association; the other nine (9),"

Section 4. Tenure. Before the first sentence, insert the following: "The Director of Alumni Affairs shall serve during his term of office." In line 3, after the word "years" delete the comma and insert a period and delete the remainder of the line. Delete paragraphs a) and b) in their entirety. After the word "years" at the end of line 13, delete the comma and insert a period and delete the remainder of the paragraph.

Section 7. Meetings:

Delete the word "two" and insert the word "four" in the first line.

Delete Article III. Officers, Sections 1 through 8, in its entirety and insert in its place a new Article III as follows:

ARTICLE III. ORGANIZATION

Section 1. Officers. The officers of The Development Fund shall be a Chairman; a Vice Chairman; a Treasurer; a Secretary; and a Director of Development. Their duties shall be those which devolve upon such offices together with such other duties as are prescribed below.

Section 2. The Chairman: The Chairman shall be elected by the Board of Directors from among the nine (9) directors elected by The Ohio State University Association.

Section 3. The Vice Chairman: The Vice Chairman of the Fund shall be elected by the Board of Directors from its own membership.

Section 4. The Treasurer: The chief financial officer of The Ohio State University shall be the Treasurer of The Development Fund.

Section 5. The Secretary: The Board of Directors shall select a member of The Development Fund staff to be the Secretary to The Development Fund Board of Directors.

Section 6. The Director of Development: The Director of Development shall be selected and appointed by the Board of Directors and shall be the Chief Executive Officer of The Development Fund. The compensation of the Director of Development shall be fixed by the Board of Directors and he shall serve at its pleasure.

Constitution of The Ohio State University Development Fund (continued)

ARTICLE III. ORGANIZATION (continued)

Section 7. Duties of the Director of Development: The Director of Development of The Development Fund shall be generally responsible for the carrying out of the plans and purposes of the Board of Directors as determined from time to time. He shall be provided with such assistance in the carrying out of his duties as may be required, and all appointments shall be subject to the approval of the Board of Directors of The Development Fund.

Section 8. Compensation: All officers of The Development Fund shall serve without compensation except the Director of Development, but shall be entitled to be reimbursed for traveling expenses incurred in connection with their official duties.

Section 9. The Steering Committee: There shall be a Steering Committee of The Development Fund Board of Directors consisting of the following four (4) members: the Chairman of the Board, the Director of Alumni Affairs of The Ohio State University Association, the Chief Financial Officer of the University, and a Vice President of the University appointed by the President of the University.

Section 10. Duties of the Steering Committee: The Steering Committee shall have administrative, coordinating and advisory duties and responsibilities to give policy guidance and general direction to the day to day operations of The Development Fund and such further duties and responsibilities as set forth in the By-Laws together with those assigned to it from time to time by the Board of Directors.

ARTICLE IV. FINANCES

Section 3. Depositing Contributions:

In subsection (c) in the second line, delete the words "the State of Ohio" and insert in their place "The Ohio State University."

Section 5. Funds for Operating Expenses:

After "that" in the fourteenth line delete the remainder of the fourteenth line and the entire fifteenth line and insert the following "no deductions shall be made from his gift for operating expenses of The Development Fund."

ARTICLE V. AMENDMENTS AND BY-LAWS

Section 1. Amendments:

After "any" in the second line delete "stated meeting" and insert in their place the following "of the four (4) regular annual meetings."

In the eighth line, following "and" and before "of" insert the following "by the Board of Directors."

V. REPORTS (continued)

C. Report on Enrollment

President Enarson presented a report on the enrollment pattern at Ohio State University. This pattern during the past several years has remained remarkably stable and prospects for the future in this regard are good. The proportion of older student enrollments is increasing, as well as the number of part-time students. Total enrollments at the regional campuses and the Agricultural Technical Institute continue to increase, and Wright-Patterson Graduate Center appears to be stabilized.

D. Report on the University's Investment Portfolio

The report dated August 30, 1974, as submitted to the Finance Committee of the Board of Trustees by Mr. Ernest W. Leggett pertaining to the University's Investment Portfolio, was received and ordered to be filed with the official records of the Board of Trustees.

\*

\*

\*

Thereupon the Board adjourned to meet Friday, October 4, 1974, at The Ohio State University Fawcett Center for Tomorrow, Columbus, Ohio, at 1:30 p.m.

Attest:

---

Edward Q. Moulton  
Secretary

---

William C. Safford  
Chairman

Page 172 Blank

THE OHIO STATE UNIVERSITY  
OFFICIAL PROCEEDINGS OF THE  
ONE THOUSAND ONE HUNDRED AND FIRST MEETING  
OF THE BOARD OF TRUSTEES

Columbus, Ohio, October 4, 1974

The Board of Trustees met at its regular monthly meeting on Friday, October 4, 1974, at The Ohio State University Fawcett Center for Tomorrow, Columbus, Ohio, pursuant to adjournment.

Present: William C. Safford, Chairman, Don M. Hilliker, John L. Gushman, Howard D. Sirak, Patricia D. James, and John W. Kessler.

\*

\*

\*

Minutes of the last meeting were approved.

\*

\*

\*

RESOLUTIONS IN MEMORIAM

President Enarson reported to the Board the deaths of Francis W. Davis, Professor Emeritus in the Department of Photography and Cinema, and Charles J. Willard, Professor Emeritus in the Department of Agronomy. In accordance with the instructions of the Board of Trustees, copies of the following resolutions expressing on behalf of the University the sorrow and sympathy of the Board will be furnished the families of the deceased.

A. Francis W. Davis

The Board of Trustees of The Ohio State University expresses its sorrow at the death on September 12, 1974, of Francis W. Davis, Professor Emeritus in the Department of Photography and Cinema.

Professor Davis joined the faculty at The Ohio State University in 1933. He was appointed Acting Chairman, July 1934, and subsequently served as Chairman of the Department of Photography and Cinema until 1966.

Professor Davis received his Bachelor's degree in Electrical Engineering in 1930 and a Master's degree in Physics in 1932 from The Ohio State University, where he also did graduate work in Physics.

In his 35 years at The Ohio State University, Professor Davis received many honors in recognition of his position as a teacher, advisor, and friend. He received the Robert M. Critchfield Award for Meritorious Service in the College of Engineering, 1964; the Alfred Wright Award, 1965; Texnikoi Award, 1966; and the Engineering Speaking Society Award, 1966.

Professor Davis received recognition from both faculty members and students for his leadership in the area of student guidance. He served as advisor to Texnikoi and advisor to the Engineering Speaking Society.

Professor Davis pioneered research in infra-red photography, served in the Army Signal Corps in World War II, reaching the rank of Colonel. He wrote many articles and papers along with collaborating on a textbook, "Basic Photography."

On behalf of the University, the Board of Trustees expresses to the family its deep sympathy and sense of understanding in its loss. It was directed that this resolution be inscribed upon the minutes of the Board of Trustees and that a copy be tendered to the family as an expression of the Board's heartfelt sympathy.

B. Charles J. Willard

The Board of Trustees of The Ohio State University expresses its sorrow at the death on September 13, 1974, of Charles J. Willard, Professor Emeritus in the Department of Agronomy.

October 4, 1974 meeting, Board of Trustees

RESOLUTIONS IN MEMORIAM (continued)

B. Charles J. Willard (continued)

Dr. Willard joined the faculty at The Ohio State University in 1917. He received the Bachelor of Science degree at both Kansas State University and University of Illinois. He received the Master of Science degree from the University of Illinois in 1917 and the Doctor of Philosophy degree from The Ohio State University in 1926.

In his 42 years at The Ohio State University he became internationally recognized for his research with forage crops and the control of weeds in farm crops. As a consequence, the graduate program of the Department of Agronomy in weed control has received national and international recognition. He was an inspirational trainer of men and an imaginative research scientist. As a Professor of Agronomy, he taught 3,500 undergraduate students and advised 35 advanced degree students.

Dr. Willard was Vice President in 1953, President in 1954, and a Fellow of the American Society of Agronomy. He was a Fellow of the American Association for the Advancement of Science. He played an active role in the organization of the Weed Science Society of America and was elected a Fellow of the Society and Editor of their publication "Weeds." He was Vice President 1947 and President 1948 of the North Central Weed Control Conference and Vice President of the Ohio Academy of Science. He received the Centennial Award from The Ohio State University and was Senior Scientist and Attache, U. S. Department of State, London Embassy, England, 1948. He was elected to the Ohio Agricultural Hall of Fame in 1972.

Dr. Willard published many scientific papers and popular articles, as well as contributing the Chapter, "Good Stand from Good Seeds," to the book, Grassland Seeds, D. Van Nostrand Co. in 1957; Chapter 37, "Establishment of New Seedlings," and Chapter 38, "Weed Control in Forages," in the book, Forages, published by the Iowa State University Press in 1962.

On behalf of the University, the Board of Trustees expresses to the family its deep sympathy and sense of understanding in its loss. It was directed that this resolution be inscribed upon the minutes of the Board of Trustees and that a copy be tendered to the family as an expression of the Board's heartfelt sympathy.

\*

\*

\*

I. PERSONNEL ACTIONS

Personnel actions since the September 6, 1974 meeting of the Board, as recorded in the official "Salary Roll" of the University, include the following Appointments, Leaves of Absence Without Salary, and Emeritus Titles:

October 4, 1974 meeting, Board of Trustees

I. PERSONNEL ACTIONS (continued)

A. Appointments

Jules B. LaPibus from Associate Dean for Research and Development in the Graduate School to Vice Provost for Research and Dean of the Graduate School, effective October 1, 1974, at a salary of \$33,168.00 per annum. Dr. LaPibus will continue to hold the academic rank of Professor in the College of Pharmacy.

Larry C. Carey, Professor and Chairman, Department of Surgery, effective January 1, 1975, at a salary of \$39,268.00 per annum.

Desmond L. Cook from Professor in the Academic Faculty of Educational Development to Professor and Chairman, Academic Faculty of Educational Development, effective October 1, 1974, at a salary of \$26,916.00 per annum.

Russell R. Dynes from Professor in the Department of Sociology to Professor and Acting Chairman, Department of Sociology, effective October 1, 1974, at a salary of \$26,916.00 per annum.

Herman J. Peters from Professor in the Academic Faculty of Special Services to Professor and Acting Chairman, Academic Faculty of Special Services, effective October 1, 1974, at a salary of \$22,116.00 per annum with a supplemental allowance of \$100 per month during the time he serves as Acting Chairman.

Robert B. Bernhard, Coordinator - Food Services, Office of Business and Administration, effective November 1, 1974, at a salary of \$23,688.00 per annum.

B. Leaves of Absence Without Salary

Rudolf F. Ahlswede, Professor, Department of Mathematics, effective October 1, 1974 through March 31, 1975, to work at the Institut fur Math Statistik.

John C. Morrow, Professor, Department of Theatre, effective October 1, 1974 through September 30, 1975, to serve as a Visiting Professor at the State University of New York at New Paltz, New York.

Balakrishnan Chandrasekaran, Associate Professor, Department of Computer and Information Science, effective October 1, 1974 through September 30, 1975, for personal reasons.



October 4, 1974 meeting, Board of Trustees

I. PERSONNEL ACTIONS (continued)

B. Leaves of Absence Without Salary (continued)

Antionette P. Eaton, Associate Professor, Department of Pediatrics, effective September 16, 1974 through September 15, 1975, to assume an administrative position in the Ohio Department of Health.

John Michael Compton, Assistant Professor, Mansfield Campus, effective October 1, 1974 through September 30, 1975, for personal reasons. .

James E. Schultz, Assistant Professor, Department of Mathematics, effective October 1, 1974 through March 31, 1975, to join the Mathematics Education Group at the University of Chicago.

Norleen Ackerman, Instructor, Cooperative Extension Service, effective December 1, 1974 through June 30, 1975, to pursue a program of professional improvement at Michigan State University.

Robert L. Romig, Instructor, Cooperative Extension Service, effective January 1, 1975 through June 15, 1975, to engage in a program for professional improvement at The Ohio State University.

C. Emeritus Titles

John H. Sitterley, Department of Agricultural Economics and Rural Sociology, with the title Professor Emeritus, effective October 1, 1974.

Leo D. Stone, Academic Faculty of Finance, with the title Professor Emeritus, effective September 1, 1974.

Beulah B. Converse, Cooperative Extension Service, with the title Assistant Professor Emeritus, effective September 1, 1974.

President Enarson recommended that the Appointments, Leaves of Absence Without Salary, Emeritus Titles, and personnel budget actions as recorded in the "Salary Roll" of the University be approved.

Upon motion of Mr. Hilliker, seconded by Mrs. James, the Board of Trustees approved the foregoing recommendation by a roll call vote with five affirmative votes cast and Dr. Sirak abstaining, and the Secretary was instructed to file these changes in the "Salary Roll," an official document of the University.

\*

\*

\*

\*

October 4, 1974 meeting, Board of Trustees

ii. REPORT OF RESEARCH CONTRACTS, GRANTS, GIFTS, AND AGREEMENTS

President Enarson recommended that the following contracts and grants negotiated and monies received for the month of August 1974 be accepted.

Summary for August 1974

	No. of Projects	Support Level
Office of Business and Administration	32	\$1,285,427.55
The Ohio State University Research Foundation	69	1,540,444.00
The Engineering Experiment Station	6	<u>92,343.00</u>
		\$2,918,214.55
	(Donors)	
The Ohio State University Development Fund	2,414	\$ 263,603.78

A detailed listing of the items in each section is shown on the following pages.

Upon motion of Mr. Gushman, seconded by Mr. Kessler, the research agreements between The Ohio State University and The Ohio State University Research Foundation for the contracts and grants reported herein, and the acceptance of the report from the Office of Business and Administration and The Ohio State University Development Fund, including the establishment of named funds, was approved by unanimous voice vote.

II. REPORT OF RESEARCH CONTRACTS, GRANTS, GIFTS, AND AGREEMENTS  
(continued)

A. Office of Business and Administration

1. Federal Contracts/Grants

- a. \$327,361.00 additional grant from Department of Health, Education, and Welfare, Public Health Service, Bethesda, Maryland, for Health Professions Capitation Grant Program, under the direction of College of Veterinary Medicine, for period July 1, 1973 through June 30, 1974. (Grant No. 3E03 PE00526-04S1)
- b. \$45,703.00 granted by Department of Health, Education, and Welfare, Region V, Social and Rehabilitation Service, Rehabilitation Services, Chicago, Illinois, for Traineeships in Speech Pathology and Audiology - Training Grant, under the direction of Department of Communication, for period September 1, 1974 through August 31, 1975. (Grant No. 44-P-25121/5-11)
- c. \$37,000.00 granted by Department of Health, Education, and Welfare, Office of Education, Washington, D. C., for An Interdisciplinary Graduate Program in Physical Education with Specialization in Adapted Physical Education Planned in Association with a University-Affiliated Center, under the direction of School of Health, Physical Education, and Recreation, for period June 1, 1974 through May 31, 1975. (Grant No. OEG-0-74-2660)
- d. \$26,506.00 granted by Department of Health, Education, and Welfare, Public Health Service, National Institute of Mental Health, Grants and Contracts Management Branch, Bethesda, Maryland, for Neocortical and Subcortical Interactions - Research Scientist Development - Type II, under the direction of Department of Psychology, for period September 1, 1974 through August 31, 1975. (Grant No. 5 K02 MH12747-08)
- e. \$20,400.00 granted by Department of Health, Education, and Welfare, Region V, Social and Rehabilitation Service, Rehabilitation Services, Chicago, Illinois, for Traineeships in Occupational Therapy - Training Grant, under the direction of School of Allied Medical Professions, for period September 1, 1974 through August 31, 1975. (Grant No. 44-P-25123/5-10)
- f. \$20,241.00 additional grant from Department of Health, Education, and Welfare, Region V, Social and Rehabilitation Service - Rehabilitation Services, Chicago, Illinois, for Traineeships in Rehabilitation Medicine - Training Grant, under the direction of Department of Physical Medicine, for period July 1, 1974 through June 30, 1975. (Grant No. 44-P-25122/5-13, Amend. No. 1)

II. REPORT OF RESEARCH CONTRACTS, GRANTS, GIFTS, AND AGREEMENTS  
(continued)

A. Office of Business and Administration (continued)

1. Federal Contracts/Grants (continued)

- g. \$13,084.00 granted by Department of Health, Education, and Welfare, Region V, Social and Rehabilitation Service, Rehabilitation Services, Chicago, Illinois, for Traineeships in Physical Therapy - Training Grant, under the direction of School of Allied Medical Professions, for period September 1, 1974 through August 31, 1975. (Grant No. 44-P-25124/5-11)
- h. \$12,900.00 additional grant from National Science Foundation, Washington, D. C., for extension of service of an Ohio State University staff member assigned to the National Science Foundation Personnel Mobility Program, for period August 13, 1974 through December 31, 1974. (IG-00076-001)
- i. \$10,779.00 granted by Agency for International Development, Washington, D. C., for assistance on high level socio-economic planning to the Office of Agricultural Planning and Analysis of the Ministry of Agriculture of Brazil, under the direction of College of Agriculture and Home Economics, for period August 1, 1974 through February 1, 1975. (Contract No. AID-12-767)
- j. \$3,000.00 granted by Department of Health, Education, and Welfare, Public Health Service, National Institute of Allergy and Infectious Diseases, Bethesda, Maryland, for a Public Health Service Research Fellowship in Allergy and Infectious Diseases, under the direction of Department of Medicine, for period July 1, 1974 through June 30, 1975. (Fellowship No. 1 F22 AI03022-01)
- k. \$3,000.00 granted by Department of Health, Education, and Welfare, Public Health Service, National Cancer Institute, Bethesda, Maryland, for a Public Health Service Research Fellowship in Cancer Research, under the direction of Department of Medicine, for period July 1, 1974 through June 30, 1975. (Fellowship No. 1 F22 CA01763-01)
- l. \$3,000.00 granted by Department of Health, Education, and Welfare, Public Health Service, National Cancer Institute, Bethesda, Maryland, for a Public Health Service Research Fellowship in Cancer Research, under the direction of Department of Medicine, for period July 1, 1974 through June 30, 1975. (Fellowship No. 1 F22 CA00776-01)

TOTAL - Federal Contracts/Grants \$522,974.00

II. REPORT OF RESEARCH CONTRACTS, GRANTS, GIFTS, AND AGREEMENTS  
(continued)

A. Office of Business and Administration (continued)

2. State of Ohio Contracts/Grants

- a. \$78,750.00 granted by State of Ohio, Department of Mental Health and Mental Retardation, Division of Management Services, Columbus, Ohio, for Adult Training Program for Moderately Retarded Young Men, under the direction of Nisonger Center for Mental Retardation.
- b. \$65,000.00 granted by State of Ohio, Department of Education, Division of Vocational Education, Columbus, Ohio, for Development of, and Training in the Use of Local Education Agency Plans by State Staff, under the direction of Academic Faculty of Vocational-Technical Education, for period July 1, 1974 through August 31, 1975.
- c. \$60,000.00 granted by State of Ohio, Department of Mental Health and Mental Retardation, Division of Mental Retardation and Developmental Disabilities, Columbus, Ohio, for Continuing Education Programs in Residential Facilities Personnel Education, Legal Rights and Legal Planning Education, Personal Advocacy Coordinators Education, Client Protective Workers Education, and Grant Writing and Financial Assessment Seminars, under the direction of Nisonger Center for Mental Retardation, for period October 1, 1974 through June 30, 1975.
- d. \$47,468.00 granted by State of Ohio, Department of Mental Health and Mental Retardation, Division of Management Services, Columbus, Ohio, for Adaptive Behavior and the Delivery of Community Services, under the direction of Nisonger Center for Mental Retardation, for fiscal year 1975.
- e. \$41,936.00 granted by State of Ohio, Department of Education, Division of Vocational Education, Columbus, Ohio, for Instructional System Design, under the direction of Academic Faculty of Vocational-Technical Education, for period July 1, 1974 through August 31, 1975.
- f. \$40,000.00 granted by State of Ohio, Department of Education, Division of Vocational Education, Columbus, Ohio, for Leadership Development in Career Education, under the direction of Academic Faculty of Vocational-Technical Education, for period July 1, 1974 through August 31, 1975.
- g. \$40,000.00 granted by State of Ohio, Rehabilitation Services Commission, Columbus, Ohio, for providing equipment and remodeling of library facilities to the legally blind and partially sighted students, under the direction of Counseling and Consultation Services - Disability Services.

II. REPORT OF RESEARCH CONTRACTS, GRANTS, GIFTS, AND AGREEMENTS  
(continued)

A. Office of Business and Administration (continued)

2. State of Ohio Contracts/Grants (continued)

- h. \$25,000.00 granted by State of Ohio, Department of Mental Health and Mental Retardation, Division of Mental Retardation and Developmental Disabilities, Columbus, Ohio, for Core Support for the Continuing Education Programs, under the direction of Nisonger Center for Mental Retardation.
- i. \$24,500.00 granted by State of Ohio, Rehabilitation Services Commission, Columbus, Ohio, for Vocational Rehabilitation Public Welfare Project, under the direction of School of Social Work, for period December 1, 1973 through November 30, 1974.
- j. \$8,624.00 granted by State of Ohio, Department of Education, Division of Vocational Education, Columbus, Ohio, for Regional In-Service Training Program for State Staff Professional Personnel for Vocational Education, under the direction of Academic Faculty of Vocational-Technical Education, for period July 1, 1974 through August 31, 1975.
- k. \$4,000.00 granted by State of Ohio, Department of Rehabilitation and Correction, Correctional Medical Center, Columbus, Ohio, for medical and surgical care of those patients of the Otolaryngology service of the Correctional Medical Center, under the direction of Department of Otolaryngology, for period July 1, 1974 through June 30, 1975.

TOTAL - State of Ohio Contracts/Grants \$435,278.00

3. Industrial and Other Contracts/Grants

- a. \$67,212.00 granted by Franklin County, Program for the Mentally Retarded, Columbus, Ohio, for support of the three-phase Holy Family Project at The Nisonger Center, under the direction of Nisonger Center for Mental Retardation, for period July 1, 1974 through June 30, 1975.
- b. \$54,838.00 granted by Columbus Metropolitan Area Community Action Organization's New Careers Program, Columbus, Ohio, for support of New Careers Program, under the direction of School of Social Work, for period June 18, 1974 through December 18, 1974. (DOL Contract No. N5-2519-39)

II. REPORT OF RESEARCH CONTRACTS, GRANTS, GIFTS, AND AGREEMENTS  
(continued)

A. Office of Business and Administration (continued)

3. Industrial and Other Contracts/Grants (continued)

- c. \$42,830.00 granted by Michigan State University, Research and Contract Administration, East Lansing, Michigan, for services of an OSU staff member, to be devoted to MSU's Korean Agricultural Planning Project in Seoul, Korea, under the direction of Department of Agricultural Economics and Rural Sociology, for period August 1, 1974 through March 31, 1976.
- d. \$40,232.00 granted by Milwaukee Public Schools, Milwaukee, Wisconsin, for providing a continuing organizational structure to facilitate the development and implementation of career education in the member school districts in the Alliance for Career Education, under the direction of Center for Vocational and Technical Education, for period July 1, 1974 through June 30, 1975. (Contract No. CVE/ACE-105-MPSC-74)
- e. \$38,675.00 granted by Franklin County, Program for the Mentally Retarded, Columbus, Ohio, for support of the pre-school class, under the direction of Nisonger Center for Mental Retardation, for period July 1, 1974 through June 30, 1975.
- f. \$29,884.55 granted by Columbus Metropolitan Area Community Action Organization's New Careers Program, Columbus, Ohio, for support of New Careers Program, under the direction of College of Administrative Science, for period June 18, 1974 through December 18, 1974. (DOL Contract No. N5-2519-39)
- g. \$25,225.00 granted by Madison Public Schools, Madison, Wisconsin, for providing a continuing organization structure to facilitate the development and implementation of career education in the member school districts in the Alliance for Career Education, under the direction of Center for Vocational and Technical Education, for period July 1, 1974 through June 30, 1975. (Contract No. CVE-115-MPS-74)
- h. \$15,121.00 granted by Franklin County, Program for the Mentally Retarded, Columbus, Ohio, for support of two Early Childhood Training Units at The Nisonger Center, under the direction of Nisonger Center for Mental Retardation, for period July 1, 1974 through June 30, 1975.
- i. \$13,158.00 additional grant from Franklin County, Mental Health and Retardation Board, Columbus, Ohio, for extension of the "normalization" process to schools and the various other settings in which a child and his family function within the near-northside catchment area, under the direction of The Nisonger Center, for period July 1, 1974 through June 30, 1975.

TOTAL - Industrial and Other Contracts/Grants \$327,175.55

II. REPORT OF RESEARCH CONTRACTS, GRANTS, GIFTS, AND AGREEMENTS  
(continued)

B. The Ohio State University Research Foundation

1. Federal Research Contracts/Grants

- a. \$100,000.00 additional funds from Department of the Air Force, 4950th Test Wing, Wright-Patterson Air Force Base, Ohio, for RCS Reduction Studies, under the direction of Department of Electrical Engineering. (Project 3622-A1 - Mod. #P00002)
- b. \$84,850.00 from Department of Health, Education, and Welfare, Public Health Service, Health Resources Administration, Rockville, Maryland, for Study of Messages Received at an EMS Dispatching Center, under the direction of Department of Preventive Medicine, for period June 28, 1974 through December 28, 1975. (Project 3972-A1 - New)
- c. \$65,241.00 from Department of Health, Education, and Welfare, Public Health Service, National Institutes of Health, National Cancer Institute, Bethesda, Maryland, for Leukemia-Lymphoma Program, under the direction of Department of Medicine, for period June 30, 1974 through October 31, 1975. (Project 3982-A1 - New)
- d. \$65,200.00 from National Science Foundation, Washington, D. C., for Fundamental Studies of Passive Films on Metals, under the direction of Department of Metallurgical Engineering, for period September 1, 1974 through August 31, 1976. (Project 3991-A1 - New)
- e. \$59,751.00 from Department of the Army, Headquarters Army Electronics Command, Fort Monmouth, New Jersey, for Multiturn Loop Antenna for Vehicular Applications, under the direction of Department of Electrical Engineering, ElectroScience Laboratory, for period July 25, 1974 through July 24, 1975. (Project 3985-A1 - New)
- f. \$55,916.00 from Department of Health, Education, and Welfare, Public Health Service, National Institutes of Health, National Institute of Neurological Diseases and Stroke, Bethesda, Maryland, for Serous Otitis Media: Immunochemical and Electron Microscopic Investigation, under the direction of Department of Otolaryngology, for period September 1, 1974 through August 31, 1975. (Project 2949-D - Ext. #4)
- g. \$49,969.00 from Department of the Air Force, Electronic Systems Division, Bedford, Massachusetts, for Continuation of the Investigation of the Multi-Frequency Radar Reflectivity of Radar Target Identification, under the direction of Department of Electrical Engineering, for period April 10, 1972 through June 30, 1975. (Project 3424-A1 - Mod. #P00003)



II. REPORT OF RESEARCH CONTRACTS, GRANTS, GIFTS, AND AGREEMENTS  
(continued)

B. The Ohio State University Research Foundation (continued)

1. Federal Research Contracts/Grants (continued)

- h. \$46,900.00 from National Science Foundation, Washington, D. C., for Chemical and Structural Relationships of the Intermediate Boron Hydrides, under the direction of Department of Chemistry, for period September 1, 1973 through August 31, 1975. (Project 3789-A1 - Ltr. Dtd. 8/9/74)
- i. \$46,687.00 from Department of Health, Education, and Welfare, Public Health Service, National Institutes of Health, National Cancer Institute, Bethesda, Maryland, for Leukemia-Lymphoma Program, under the direction of Department of Medicine, for period June 30, 1974 through October 31, 1975. (Project 3982-E1 - New)
- j. \$46,460.00 additional funds from Department of the Army, Procurement and Production Directorate, Maryland Procurement Office, Ft. George G. Meade, Maryland, for Superdirective Antenna Array Study, under the direction of Department of Electrical Engineering, ElectroScience Laboratory. (Project 3955-A1 - Mod. #P00001)
- k. \$44,880.00 from Department of Health, Education, and Welfare, Public Health Service, National Institutes of Health, National Heart and Lung Institute, Bethesda, Maryland, for Ion Transport by Heart Mitochondria, under the direction of Physiological Chemistry, for period September 1, 1974 through August 31, 1975. (Project 2012-J - Ext. #9)
- l. \$44,126.00 from Department of Health, Education, and Welfare, Public Health Service, National Institutes of Health, National Heart and Lung Institute, Bethesda, Maryland, for Pathogenesis of Coronary Atherosclerosis, under the direction of Department of Pathology, for period September 1, 1974 through August 31, 1975. (Project 2525-G - Ext. #7)
- m. \$40,540.00 from Department of Transportation, Urban Mass Transit Administration, Washington, D. C., for Research Component-- Urban Mass Transportation Institutional Research and Training Grant, under the direction of Academic Faculty of Marketing, for period July 1, 1972 through June 30, 1975. (Project 3491-C1 - Amend. #1)
- n. \$35,971.00 from Department of the Navy, Office of Naval Research, Arlington, Virginia, for Crisis Management Research, under the direction of Mershon Center for Education in National Security, for period August 1, 1974 through January 15, 1975. (Project 3995-A1 - New)

October 4, 1974 meeting, Board of Trustees

II. REPORT OF RESEARCH CONTRACTS, GRANTS, GIFTS, AND AGREEMENTS  
(continued)

B. The Ohio State University Research Foundation (continued)

1. Federal Research Contracts/Grants (continued)

- o. \$34,819.00 from Department of Health, Education, and Welfare, Public Health Service, National Institutes of Health, National Institute of General Medical Sciences, Bethesda, Maryland, for Polyfunctional Catalysis, under the direction of Department of Chemistry, for period August 1, 1974 through July 31, 1975. (Project 3292-A4 - Ext. #3)
- p. \$33,496.00 from Department of Transportation, Urban Mass Transit Administration, Washington, D. C., for Training Component--Urban Mass Transportation Institutional Research and Training Grant, under the direction of Department of Civil Engineering, for period July 1, 1972 through June 30, 1975. (Project 3491-B1 - Amend. #1)
- q. \$31,408.00 from Department of Health, Education, and Welfare, Public Health Service, National Institutes of Health, National Cancer Institute, Bethesda, Maryland, for Leukemia-Lymphoma Program, under the direction of Department of Medicine, for period June 30, 1974 through October 31, 1975. (Project 3982-C1 - New)
- r. \$30,709.00 additional funds from Department of the Air Force, 4950th Test Wing, Wright-Patterson Air Force Base, Ohio, for Development of High Density Gas Diagnostics for High Speed Aerodynamics, under the direction of Department of Aeronautical and Astronautical Engineering. (Project 3890-A1 - Mod. #P00001)
- s. \$30,000.00 from National Endowment for the Humanities, Division of Research Grants, Washington, D. C., for A Complete Vocabulary of the Works of Wace and All Extant Old French Versions of the Brut in Verse--Phase III, under the direction of Department of Romance Languages and Literatures, for period September 1, 1974 through August 31, 1975. (Project 3999-A1 - New)
- t. \$28,900.00 from National Science Foundation, Washington, D. C., for Metal Carbonyls and Metal-Carbon Bonds, under the direction of Department of Chemistry, for period September 1, 1972 through August 31, 1975. (Project 3536-A1 - Ltr. Dtd. 8/12/74)
- u. \$27,474.00 from Department of Health, Education, and Welfare, Public Health Service, Food and Drug Administration, Rockville, Maryland, for Hydrophilic Colloid Interactions in Foods, under the direction of Department of Food Science and Nutrition, for period September 1, 1974 through August 31, 1975. (Project 2037-J - Ext. #9)

October 4, 1974 meeting, Board of Trustees

II. REPORT OF RESEARCH CONTRACTS, GRANTS, GIFTS, AND AGREEMENTS  
(continued)

B. The Ohio State University Research Foundation (continued)

1. Federal Research Contracts/Grants (continued)

- v. \$26,378.00 from Department of Health, Education, and Welfare, Public Health Service, National Institutes of Health, National Cancer Institute, Bethesda, Maryland, for Leukemia-Lymphoma Program, under the direction of Department of Medicine, for period June 30, 1974 through October 31, 1975. (Project 3982-B1 - New)
- w. \$25,204.00 from Department of Health, Education, and Welfare, Public Health Service, National Institutes of Health, National Institute of General Medical Sciences, Bethesda, Maryland, for Biochemical Applications of Osmium Chemistry, under the direction of Department of Biochemistry, for period September 1, 1974 through August 31, 1975. (Project 3721-A2 - Ext. #1)
- x. \$25,000.00 from Department of the Navy, Office of Naval Research, Arlington, Virginia, for Separated Flows, under the direction of Department of Aeronautical and Astronautical Engineering, for period September 1, 1971 through August 31, 1975. (Project 3308-A1 - Mod. #2)
- y. \$24,664.00 from Department of Transportation, Urban Mass Transit Administration, Washington, D. C., for Urban Mass Transportation Institutional Research and Training Grant, under the direction of Department of Industrial and Systems Engineering, for period July 1, 1972 through June 30, 1975. (Project 3491-A1 - Amend. #1)
- z. \$23,856.00 from Department of Health, Education, and Welfare, Public Health Service, National Institutes of Health, National Institute of General Medical Sciences, Bethesda, Maryland, for Control of Differential Gene Action and Morphogenesis, under the direction of Department of Biochemistry, for period September 1, 1974 through August 31, 1975. (Project 3307-A4 - Ext. #3)
- aa. \$16,800.00 from Civil Service Commission, Bureau of Training, Washington, D. C., for Cost and Price Analysis, under the direction of College of Administrative Science, Division of Continuing Education, for period July 1, 1974 through June 30, 1975. (Project 4033-A1 - New)
- bb. \$16,789.00 from Department of Health, Education, and Welfare, Public Health Service, National Institutes of Health, National Cancer Institute, Bethesda, Maryland, for Leukemia-Lymphoma Program, under the direction of Department of Medicine, for period June 30, 1974 through October 31, 1975. (Project 3982-D1 - New)

II. REPORT OF RESEARCH CONTRACTS, GRANTS, GIFTS, AND AGREEMENTS  
(continued)

B. The Ohio State University Research Foundation (continued)

1. Federal Research Contracts/Grants (continued)

- cc. \$15,000.00 from Department of Commerce, National Oceanic and Atmospheric Administration, Boulder, Colorado, for Continuation of a Theoretical Study of Vortex-Breakdown in Tornadoes, under the direction of Department of Aeronautical and Astronautical Engineering, for period June 1, 1973 through March 31, 1975. (Project 3722-A1 - Amend. #1)
- dd. \$15,000.00 from Civil Service Commission, Bureau of Training, Washington, D. C., for Course Materials, under the direction of College of Administrative Science, Division of Continuing Education, for period July 1, 1973 through June 30, 1975. (Project 3808-F1 - Purchase Agreement 75-0256)
- ee. \$14,414.00 from Department of Health, Education, and Welfare, Public Health Service, National Institutes of Health, National Institute of General Medical Sciences, Bethesda, Maryland, for Metabolism of 6-Deoxyhexoses, under the direction of Department of Biochemistry, for period September 1, 1974 through August 31, 1975. (Project 2701-F - Ext. #6)
- ff. \$12,682.00 additional funds from Department of Health, Education, and Welfare, Public Health Service, National Institutes of Health, Division of Research Resources, Bethesda, Maryland, for General Research Support Grant, under the direction of College of Veterinary Medicine. (Project 2776-A5 - Ltr. Dtd. 6/17/74)
- gg. \$8,800.00 from National Science Foundation, Washington, D. C., for Geology and Paleomagnetism of Scott Glacier Area, Antarctica, under the direction of Institute of Polar Studies, for period August 1, 1974 through November 30, 1975. (Project 4001-A1 - New)
- hh. \$6,000.00 from Department of Transportation, Federal Highway Administration, Washington, D. C., for Field Test and Evaluation Center for Eastern States, under the direction of Engineering Experiment Station, for period June 27, 1974 through January 26, 1975. (Project 3535-D1 - New)
- ii. \$4,500.00 from National Science Foundation, Washington, D. C., for Paleomagnetism of Dry Valley Drilling Project Core, under the direction of Institute of Polar Studies, for period July 15, 1974 through July 14, 1975. (Project 3990-A1 - New)
- jj. \$4,235.00 from Department of Health, Education, and Welfare, Office of Education, Bureau of Library and Learning Resources, Washington, D. C., for Acquisition of Academic Library Resources (for OSU Libraries), under the direction of University Libraries, for period June 28, 1974 through June 30, 1975. (Project 3992-A1 - New)

II. REPORT OF RESEARCH CONTRACTS, GRANTS, GIFTS, AND AGREEMENTS  
(continued)

B. The Ohio State University Research Foundation (continued)

1. Federal Research Contracts/Grants (continued)

- kk. \$4,235.00 from Department of Health, Education, and Welfare, Office of Education, Bureau of Library and Learning Resources, Washington, D. C., for Acquisition of Academic Library Resources (for Agricultural Technical Institute), under the direction of University Libraries, for period June 28, 1974 through June 30, 1975. (Project 3993-A1 - New)
- ll. \$4,235.00 from Department of Health, Education, and Welfare, Office of Education, Division of Library Programs, Washington, D. C., for Acquisition of Academic Library Resources (for Newark Regional Campus), under the direction of University Libraries, for period June 28, 1974 through June 30, 1975. (Project 4031-A1 - New)
- mm. \$4,235.00 from Department of Health, Education, and Welfare, Office of Education, Division of Library Programs, Washington, D. C., for Acquisition of Academic Library Resources (for Lima Regional Campus), under the direction of University Libraries, for period June 28, 1974 through June 30, 1975. (Project 4032-A1 - New)
- nn. \$4,050.00 from Civil Service Commission, Bureau of Training, Washington, D. C., for Inter-Government Training Course Preparation and Instruction, under the direction of College of Administrative Science, Division of Continuing Education, for period February 11, 1974 through August 31, 1974. (Project 3808-G1 - Purchase Orders Dtd. 7/31/74 and 8/21/74)
- oo. \$2,000.00 from Civil Service Commission, Denver Regional Training Center, Denver, Colorado, for Course Presentation, under the direction of College of Administrative Science, Division of Continuing Education, for period August 12, 1974 through August 16, 1974. (Project 3996-A1 - New)

TOTAL - Federal Research Contracts/Grants \$1,261,374.00

2. State of Ohio Research Contracts/Grants

- a. \$42,893.00 from Ohio Department of Rehabilitation and Correction, Columbus, Ohio, for Predicting Adjustment and Identifying Inmates for Diversionary Programming, under the direction of Department Psychiatry, for period July 1, 1974 through June 30, 1975. (Project 3997-A1 - New)

II. REPORT OF RESEARCH CONTRACTS, GRANTS, GIFTS, AND AGREEMENTS  
(continued)

B. The Ohio State University Research Foundation (continued)

2. State of Ohio Research Contracts/Grants (continued)

- b. \$19,562.00 from Ohio Department of Rehabilitation and Correction, Columbus, Ohio, for Evaluation of Community Reintegration Centers--Phase III, under the direction of College of Administrative Science, School of Public Administration, for period July 1, 1974 through June 30, 1975. (Project 3936-A1 - New)
- c. \$7,300.00 from Ohio Department of Rehabilitation and Correction, Adult Parole Authority, Columbus, Ohio, for The Use of the Ex-Offender as a Parole Officer Aide--Phase III, under the direction of College of Administrative Science, School of Public Administration, for period July 1, 1974 through June 30, 1975. (Project 4002-A1 - New)
- d. \$3,500.00 from Ohio Department of Rehabilitation and Correction, Columbus, Ohio, for Multi-Disciplinary Treatment, Remotivation and Education Project--London Phase III, under the direction of College of Administrative Science, School of Public Administration, for period July 1, 1974 through June 30, 1975. (Project 3986-A1 - New)
- e. \$3,500.00 from Ohio Department of Rehabilitation and Correction, Columbus, Ohio, for Evaluation of the Marion Correctional Institution Drug/Alcohol Treatment Program--Phase II, under the direction of College of Administrative Science, School of Public Administration and School of Social Work, for period September 1, 1974 through June 30, 1975. (Project 4000-A1 - New)

TOTAL - State of Ohio Research Contracts/Grants \$76,755.00

3. Industrial, Subcontracts/Grants and Other  
Non-Federal Research Contracts/Grants

- a. \$40,520.00 from Procter and Gamble Company, Cincinnati, Ohio, for Study of Dental Calculus, under the direction of College of Dentistry, for period July 1, 1974 through June 30, 1975. (Project 2070-B - Ext. #9)
- b. \$24,000.00 from Abbott Laboratories, North Chicago, Illinois, for Chemistry of Mold Metabolites, under the direction of College of Pharmacy, for period September 1, 1973 through August 31, 1975. (Project 3819-A1 - Ltr. Dtd. 8/8/74)

II. REPORT OF RESEARCH CONTRACTS, GRANTS, GIFTS, AND AGREEMENTS

(continued)

B. The Ohio State University Research Foundation (continued)

3. Industrial, Subcontracts/Grants and Other

Non-Federal Research Contracts/Grants (continued)

- c. \$19,938.00 from University of Alaska, Tundra Biome Center, College, Alaska, for The Structure and Function of the Tundra Ecosystem, under the direction of Institute of Polar Studies, for period April 1, 1974 through March 31, 1975. (Project 3994-A1 - New)
- d. \$7,500.00 from American Heart Association, Central Ohio Heart Chapter, Columbus, Ohio, for Immunoautoradiography of Vascular Smooth Muscle, under the direction of Department of Pathology, for period October 1, 1974 through September 30, 1975. (Project 4004-A1 - New)
- e. \$7,500.00 from American Heart Association, Central Ohio Heart Chapter, Columbus, Ohio, for Time Course and Duration of the Inotropic and Chronotropic Effects of Oral Propranolol in Normal Volunteers, under the direction of Department of Medicine, for period October 1, 1974 through September 30, 1975. (Project 4006-A1 - New)
- f. \$7,500.00 from American Heart Association, Central Ohio Heart Chapter, Columbus, Ohio, for Effect of Aortic Stenosis on Neonatal Myocardial Cellular and Organelle Growth, under the direction of Department of Pathology, for period October 1, 1974 through September 30, 1975. (Project 4007-A1 - New)
- g. \$7,500.00 from American Heart Association, Central Ohio Heart Chapter, Columbus, Ohio, for Evaluation of Myocardial Perfusion After Myocardial Revascularization Procedures, under the direction of Department of Medicine, for period October 1, 1974 through September 30, 1975. (Project 4009-A1 - New)
- h. \$7,500.00 from American Heart Association, Central Ohio Heart Chapter, Columbus, Ohio, for The Biophysical Aspects of Atheroma Stability, under the direction of College of Pharmacy, for period October 1, 1974 through September 30, 1975. (Project 4013-A1 - New)
- i. \$7,481.00 from American Heart Association, Central Ohio Heart Chapter, Columbus, Ohio, for Pathogenesis and Diagnoses of Myocarditis Due to Toxoplasma gondii, under the direction of Department of Veterinary Pathobiology, for period October 1, 1974 through September 30, 1975. (Project 4010-A1 - New)

October 4, 1974 meeting, Board of Trustees

II. REPORT OF RESEARCH CONTRACTS, GRANTS, GIFTS, AND AGREEMENTS  
(continued)

B. The Ohio State University Research Foundation (continued)

3. Industrial, Subcontracts/Grants and Other  
Non-Federal Research Contracts/Grants (continued)

- j. \$7,472.00 from American Heart Association, Central Ohio Heart Chapter, Columbus, Ohio, for RNA and Protein Synthesis in Isolated Myocytes from Adult Rat Heart, under the direction of Department of Pathology, for period October 1, 1974 through September 30, 1975. (Project 4015-A1 - New)
- k. \$7,455.00 from American Heart Association, Central Ohio Heart Chapter, Columbus, Ohio, for Biochemical Events Underlying Injury to Ischemic Myocardium, under the direction of Department of Physiological Chemistry, for period October 1, 1974 through September 30, 1975. (Project 4003-A1 - New)
- l. \$7,455.00 from American Heart Association, Central Ohio Heart Chapter, Columbus, Ohio, for Measurement of the Viscoelastic Properties of the Aorta in the Intact Dog, under the direction of Department of Physiology, for period October 1, 1974 through September 30, 1975. (Project 4011-A1 - New)
- m. \$7,413.00 from American Heart Association, Central Ohio Heart Chapter, Columbus, Ohio, for The Effect of Chronic Heavy Physical Training on Selected Physical and Physiological Variables in Age Group Swimmers from 10-17 Years of Age, under the direction of College of Education, School of Health, Physical Education, and Recreation, for period October 1, 1974 through September 30, 1975. (Project 4005-A1 - New)
- n. \$6,825.00 from American Heart Association, Central Ohio Heart Chapter, Columbus, Ohio, for Ion Transport by Heart Mitochondria, under the direction of Department of Physiological Chemistry, for period October 1, 1974 through September 30, 1975. (Project 4008-A1 - New)
- o. \$5,686.00 from American Heart Association, Central Ohio Heart Chapter, Columbus, Ohio, for RV Pacing and Left Bundle Branch Block, under the direction of Department of Medicine, for period October 1, 1974 through September 30, 1975. (Project 4014-A1 - New)
- p. \$5,445.00 from American Cancer Society, Ohio Division, Columbus, Ohio, for An Ultrastructural Approach for Analyzing the Surface Chemistry of the Hemopoietic Stem Cells in Normal and Malignant Disorders, under the direction of Department of Anatomy, for period July 1, 1974 through June 30, 1975. (Project 3989-A1 - New)



II. REPORT OF RESEARCH CONTRACTS, GRANTS, GIFTS, AND AGREEMENTS  
(continued)

B. The Ohio State University Research Foundation (continued)

3. Industrial, Subcontracts/Grants and Other  
Non-Federal Research Contracts/Grants (continued)

- q. \$5,000.00 from Martin Marietta Corporation, Denver, Colorado, for Evaluation of S-194 (L-Band Radiometer) Flight Data from Sky Lab, under the direction of Department of Electrical Engineering, ElectroScience Laboratory, for period July 20, 1973 through December 1, 1974. (Project 3749-A1 - Amend. #2)
- r. \$5,000.00 from American Cancer Society, Ohio Division, Columbus, Ohio, for Preliminary Studies of the Molecular Basis for Defective Cell-Mediated Immunity in Tumor-Bearing Animals, under the direction of Department of Physiological Chemistry, for period July 1, 1974 through June 30, 1975. (Project 3998-A1 - New)
- s. \$4,000.00 from American Cancer Society, Ohio Division, Columbus, Ohio, for Specific Anti-Tumor Immunotherapy Using Syngeneic RNA, under the direction of Department of Microbiology, for period July 1, 1974 through June 30, 1975. (Project 3987-A1 - New)
- t. \$3,625.00 from American Cancer Society, Ohio Division, Columbus, Ohio, for Use of Immune Lymphocytes for Detection of Tumor Antigens, under the direction of Department of Pediatrics, for period July 1, 1974 through June 30, 1975. (Project 3981-A1 - New)
- u. \$3,500.00 from American Cancer Society, Ohio Division, Columbus, Ohio, for Immunosuppression of Neoplastic Cells in Experimental Lymphoid Leukemia, under the direction of Department of Microbiology, for period July 1, 1974 through June 30, 1975. (Project 3988-A1 - New)
- v. \$2,000.00 additional funds from International Lead Zinc Research Organization, New York, New York, for Effect of G6pd Deficiency on Lead Uptake of Erythrocytes, under the direction of Department of Physiology. (Project 3403-A1 - Ltr. Dtd. 8/6/74)
- w. \$2,000.00 from Union Carbide Corporation, Tarrytown Technical Center, Tarrytown, New York, for An Ecology Evaluation of Hypolimnetic Oxygenation, under the direction of Department of Zoology, for period April 1, 1974 through January 31, 1975. (Project 3693-A2 - Ltr. Dtd. 8/5/74)

TOTAL - Industrial, Subcontracts/Grants and Other  
Non-Federal Research Contracts/Grants \$202,315.00

II. REPORT OF RESEARCH CONTRACTS, GRANTS, GIFTS, AND AGREEMENTS  
(continued)

C. The Engineering Experiment Station

1. Federal Research Contract

- a. \$29,168.00 from U. S. Department of the Interior, Washington, D. C., for Effects of Spray Irrigation of Municipal Wastewater on Nitrogen Transformations, under the direction of Water Resources Center, for period July 1, 1974 through June 30, 1975. (EES 495)

2. Industrial and Other Research Contracts

- a. \$27,500.00 from City of Columbus, Columbus, Ohio, Pretrial Release Program - FY 75, under the direction of Department of Industrial and Systems Engineering, for period July 1, 1974 through December 31, 1974. (EES 497)
- b. \$20,000.00 from American Gas Association, Arlington, Virginia, for An Experimental and Analytical Study of the Influence of Sound on the Products of Combustion, Flame Control, and the Sound Power of the Combustion Process, under the direction of Department of Mechanical Engineering, for period October 1, 1974 through September 30, 1975. (EES 466X, Ext. #1)
- c. \$8,175.00 from Westreco, Incorporated, Marysville, Ohio, for Ultrasonic Vibration of Mold Cavities, under the direction of Department of Engineering Mechanics, for period August 12, 1974 through September 12, 1974. (EES 498)
- d. \$5,000.00 from Battelle Memorial Institute, Columbus, Ohio, for Review and Evaluation of Water Resources Management Planning Techniques, under the direction of Department of Civil Engineering, for period August 1, 1974 through October 15, 1974. (EES 496)
- e. \$2,500.00 from AMP, Incorporated, Glen Rock, Pennsylvania, for Development of a Center Draw Transducer, under the direction of Department of Engineering Mechanics, for period August 1, 1974 through October 31, 1974. (EES 473, Ext. #1)

TOTAL - Industrial and Other Research Contracts \$63,175.00

D. The Ohio State University Development Fund

1. Gifts of \$5,000 or More

- a. \$37,000.00 from Emerson S. Zuck Trust, Orlando, Florida, for Mr. and Mrs. Zuck's named endowment fund to provide loans to needy and deserving students.
- b. \$12,000.00 from International Copper Research Association, Inc., New York, New York, for their fellowship fund in Welding Engineering.

II. REPORT OF RESEARCH CONTRACTS, GRANTS, GIFTS, AND AGREEMENTS  
(continued)

D. The Ohio State University Development Fund (continued)

1. Gifts of \$5,000 or More (continued)

- c. \$10,105.00 from The Refractories Institute, Pittsburgh, Pennsylvania, for research in the Department of Ceramic Engineering.
- d. \$5,500.00 from Ohio Contractors Association, Columbus, Ohio--\$5,000.00 for their new project to supplement salaries for faculty engaged in teaching courses involving construction engineering and \$500.00 for their loan fund in Civil Engineering.
- e. \$5,000.00 from Armco Foundation, Middletown, Ohio, for their Professorship of Metallurgy.
- f. \$5,000.00 from Columbus Bituminous Concrete Corporation, Columbus, Ohio, for the University Activities Center.
- g. \$5,000.00 from The Duriron Company, Inc., Dayton, Ohio, for their Professorship in Metallurgical Engineering.
- h. \$5,000.00 from Phi Beta Psi Charity Trust Fund, Muncie, Indiana (given in the name of John Peter Minton), for the Cancer Research Fund of Dr. Minton.

2. Establishment of Named Funds

- a. \$5,000.00 from the family of Gerald R. Black for the establishment of The Gerald R. Black Memorial Scholarship Fund.

The Gerald R. Black Memorial Scholarship Fund

The Gerald R. Black Memorial Scholarship Fund was established October 4, 1974, by the Board of Trustees of The Ohio State University with a gift to The Ohio State University Development Fund from the family of Gerald R. Black, B. Arch. '24.

All gifts are to be invested in the University's Permanent Endowment Fund under the rules and regulations adopted by the Board of Trustees of The Ohio State University with the right to invest and reinvest as occasion dictates.

The annual income is to be used to award a scholarship to a student in the Department of Theatre, preferably a playwright, in the discretion of the Chairman of the Department of Theatre in the College of The Arts. In the case of a playwright, the limitation to students in the Department of the Theatre may be waived, to include students from the English or literature departments.

II. REPORT OF RESEARCH CONTRACTS, GRANTS, GIFTS, AND AGREEMENTS  
(continued)

D. The Ohio State University Development Fund (continued)

2. Establishment of Named Funds (continued)

a. The Gerald R. Black Memorial Scholarship Fund (continued)

Should the need for this scholarship cease to exist, or so diminish as to provide unused income, then the income may be used for any purpose whatsoever as determined by The Ohio State University Board of Trustees, with preference being given to recommendations from the appropriate administrative official of the University who is then responsible for theatre education.

b. \$5,000.00 from Mrs. Frances M. Johnson for the establishment of the Sherman Johnson & Frances Battles Johnson Fund.

Sherman Johnson & Frances Battles Johnson Fund

The Sherman Johnson & Frances Battles Johnson Fund was established October 4, 1974, by the Board of Trustees of The Ohio State University with a gift to The Ohio State University Development Fund from Mrs. Frances M. Johnson, B.S.Ed. '17, Painesville, Ohio, and in memory of her late husband Sherman Johnson.

All gifts are to be invested in the University's Permanent Endowment Fund, under the rules and regulations adopted by the Board of Trustees of The Ohio State University, with the right to invest and reinvest as occasion dictates.

The annual income is to be used for the benefit of The Ohio State University College of Medicine. Income from the Fund may be used at the discretion of the Dean of the College of Medicine but the principal should be kept in perpetuity unless special permission for its specific use is obtained from Mrs. Johnson.

In the event that the College of Medicine as it now exists should be altered in any reorganization of University colleges, schools and departments, the Board of Trustees or successor governing body of the University shall direct use of the income for educational and related purposes in the field of medicine.

\*

\*

\*

III. BUSINESS AND ADMINISTRATION

A. Architects or Engineers

1. Clinical Medical Sciences Educational Facility  
(Supporting Services Phase)

At the December 7, 1973, meeting of the Board of Trustees, the services of the architectural firm of Page Southerland Page were approved to be continued for the modified program of the total project formerly known as "Clinical Medical Sciences Educational Facility." The modified program was estimated to cost \$10,000,000.00, limited to support and ancillary facilities consisting of a two-story structure.

It is now anticipated that an additional \$2,707,018.00 will be made available from the Department of Health, Education, and Welfare, which can be added to the original funds available from H. B. 985, making a new project total of \$12,707,018.00 for the revised modified program. The additional funds will provide for a third floor to the support facility, which will include space for radiology and laboratories.

In order to make use of these funds it is necessary to modify the Page Southerland Page contract to expand their architectural services. This will provide additional architectural and engineering services including preliminary plans, basic drawings, working drawings, specifications, estimate of cost, necessary bidding documents and complete supervision of construction. Fee for this service will be negotiated with the architect by the Division of Public Works.

Funds for the service were originally provided in H. B. 985, Item 315-077. The additional funding will be provided from the Department of Health, Education, and Welfare grant.

Upon motion of Mr. Gushman, seconded by Mr. Hilliker, the above recommendation was approved by unanimous roll call vote. This action is contingent upon receipt of grant from the Department of Health, Education, and Welfare.

B. Report of Award of Contracts

1. Advertised Project

In accordance with authorization provided by the Board of Trustees, bids were taken on the project listed below and the contract was recommended for award. The action reported to the Board was as follows:

III. BUSINESS AND ADMINISTRATION (continued)

B. Report of Award of Contracts (continued)

1. Advertised Project (continued)

a. Veterinary Hospital--Connecting Road

	<u>Low Bid</u>	<u>Est. of Cost</u>
<u>General Contract</u>		
(5 bids received 9-12-74, Rebid)		
Baker Construction Company		
(Columbus)	\$12,995.00*	\$24,986.00

\*Based upon counsel by the Department of Administrative Services, Division of Public Works, the low bidder, A & C Construction Co. was permitted to withdraw their bid of \$6,453.50 because of errors and omissions they made on the bid sheet. Therefore, the job was awarded to the second low bidder, Baker Construction Company.

Funds are budgeted in Budget Account 126070 (Contract Repair).

2. Bids Received Through The Ohio State University Purchasing Department

Bids were requested and received on the project listed below by The Ohio State University Purchasing Department. The action reported to the Board was as follows:

a. Equine Exercise Building, Wooster, Ohio

	<u>Low Bid</u>	<u>Est. of Cost</u>
<u>General Contract</u>		
(4 bids received 7-31-74, Rebid)		
Golden Giant, Inc.		
(Kenton, Ohio)	\$54,838.00	\$55,000.00

Funds are budgeted in H. B. 985, Item 366-001 (Agricultural Technical Institute).

Upon motion of Dr. Sirak, seconded by Mr. Gushman, the above award of contracts and expenditure of funds were approved, and the action of the Vice President for Business and Administration was ratified by unanimous roll call vote.

III. BUSINESS AND ADMINISTRATION (continued)

C. Report of Controlling Board Actions Pertaining to The Ohio State University

- 6 Approves the release of \$260,000.00 from H. B. 985, Item 315-087 (Mahoning County Area Extension Center) to award the General, Plumbing, Heating, Ventilating and Air Conditioning, and Electrical Contracts on the project known as "Mahoning County Area Extension Center."
- 8 Approves the release of \$27,000.00 from H. B. 985, Item 315-074 (Utilities and Renovations) to provide the necessary planning money for the project "Traffic Improvements."
- 10 Approves the release of \$57,000.00 to award the General, Plumbing, and Electrical Contracts on the project known as "Vivian Hall Laboratory Remodeling" from H. B. 985, Item 315-074 (Utilities and Renovations).

\*

\*

\*

IV. REPORTS

A. Report from President Enarson on the University Activities Center

President Enarson made the following statement:

Mr. Chairman and Members of the Board, I come to an extremely important item on the Board agenda. I have awaited this day for a long time. I am pleased to report to this Board and to the public that we have successfully completed our campaign to fund the expansion of University Activities facilities on this campus. As a matter of historical interest, I was going to bring this matter to the Board a month ago. I was going to report we have come very close and the time had come to wind the campaign down. I was trying to figure out how to say in a small, wee voice that we hadn't quite made it. But Jack Havens who is an alumnus of this University and has given an unbelievable amount of time and support to the fund-raising effort almost begged me to wait another month. Two things happened since then: One, he succeeded in raising more money and secondly, we received an unrestricted gift of \$250,000 from the Dolly and Ralph Cohen Foundation that pushed us over the top.

Earlier we had had a very significant commitment of a very special sort which brought us within sight of our goal. As you may recall, our Department of Athletics had committed \$50,000 from the proceeds from the Browns-Bengals game of last year.

IV. REPORTS (continued)

A. Report from President Enarson on the University Activities Center (continued)

President Enarson's statement (continued)

The Department of Athletics some months ago also agreed to provide \$683,000 for a diving pool as an intimate part of this total program. This pool clearly is advantageous to us in support of our intercollegiate program since it obviously has a dual use. It will free up the other facilities and provide greater opportunities for people interested in swimming. And so I would like, for the record, to thank the many other people who have contributed so significantly to this campaign--to Jack Nicklaus who spearheaded the national campaign; to the staff of the Development Fund; and to many other volunteers. I should also be remiss if I didn't thank the many alumni, faculty, staff, students, and friends of the University who through gifts and pledges made this goal a reality. Special recognition is due to the Benedum Foundation for the million dollar challenge gift because it was the kickoff gift. This is an unusual project since the Legislature put up \$5 million with the understanding that we would raise \$5 million and at long last we are at the \$10 million goal. Special thanks also go to the Nationwide Insurance Companies for a \$250,000 gift and to five anonymous donors whose total contributions came to over three-quarters of a million dollars.

So with the total achieved, it is now essential that we move ahead as rapidly as possible into the construction stage of the project. As the Board knows from earlier reports, we have tried to get started on as many things as we possibly could even as we awaited the final completion of the drive. I can't even estimate the number of man and woman hours that various staff members have given to this project over the past several years. I can assure you that this program has been massaged carefully by anybody who had any interest in it and I can assure you that many people have had that interest!

B. Report by Mr. Frederick Beekman on Need for University Activities Center

Mr. Frederick Beekman then presented information concerning the need for expanded facilities for the intramural and recreational programs for the University students. He provided statistics which showed the extremely limited nature of the existing facilities.



IV. REPORTS (continued)

C. Report on Development of Architectural Design for University Activities Center

Mr. John Evans, a member of the architectural firm of Samborn, Stekete, Otis and Evans, Inc., project architects for the design of these facilities, discussed their proposed solution to the program of requirements which included a new structure attached to the present Physical Education Building at 337 West 17th Avenue, and satellite facilities at four dispersed campus locations, including three small recreation buildings and outdoor courts on North, South, and West Campuses, and outdoor facilities near the river dormitories.

Mr. John Luscombe, also of the architectural firm, presented additional details concerning the main facility.

D. President Enarson's Recommendation for Siting and General Configuration Plans for University Activities Center

President Enarson requested the support, encouragement, and specific approval of the siting and general configuration plans for the University Activities facilities.

Upon motion of Mr. Hilliker, seconded by Dr. Sirak, the siting and general configuration plans for the University Activities Center (Recreation, Physical Education, Intramural Facilities) presented by the Project Architects, Samborn, Stekete, Otis and Evans, Inc., were approved by a unanimous vote of the Board of Trustees.

E. Resolution Adopting Recommendation of Educational Affairs Committee - Admission Policies for Graduate Professional Programs

Mr. Gushman presented the following report and recommendation:

Mr. Chairman, on behalf of the Educational Affairs Committee, I should like to bring before this Board for its consideration a recommendation to the President:

As you are aware, this Committee has devoted considerable time during this past year in reviewing the admission policies for the various graduate professional programs of the University. The Committee has now met with all of the Deans who had the responsibility for each of these programs, discussed the various criteria and procedures presently employed within these selection processes, and examined the patterns of admissions for the past several years.

Based upon this information and subsequent discussions it is the unanimous recommendation of this Committee that the President be asked to appoint a Task Force with appropriate representation from each of the graduate professional colleges, for the purpose

October 4, 1974 meeting, Board of Trustees

IV. REPORTS (continued)

E. Resolution Adopting Recommendation of Educational Affairs Committee - Admission Policies for Graduate Professional Programs (continued)

Mr. Gushman's report and recommendation (continued)

of reviewing the relevancy of all current selection criteria now being employed within these Colleges, with particular attention to the following issues:

1. The need for correlations of success in the various professions versus the admission criteria presently being employed.
2. The apparent incongruity in the use of personnel interviews and/or selective letters of recommendation in some professional programs and not in others.
3. The sizable number of out-of-state students admitted in some programs in which many totally qualified in-state students are being turned away.
4. The unevenness in geographical distribution of students within this state in some of our professional programs.
5. The strengthening of affirmative action efforts in the recruitment, acceptance, and retention of minorities and women in these programs.
6. The size of the entering freshman classes and criteria for determining the number of individuals to be admitted.

Now, specifically, the Resolution--we recommend also that this Task Force give full consideration to a number of alternatives that this University might provide to those applicants to our professional programs who are fully qualified in all respects for admission to these programs, but who, because of space limitations, cannot be admitted, and we respectfully request a report by March 5, 1975.

In the Committee's view, the admissions problem is most critical in the continuing support of this University. For this reason, we believe the level of effort required is both timely and needful. On behalf of the Committee, Mr. President, I wish to assure you of our availability to assist this Task Force in all appropriate ways in its work. Mr. Chairman, I would like to move the adoption of the above recommendation to the President.

October 4, 1974 meeting, Board of Trustees

IV. REPORTS (continued)

E. Resolution Adopting Recommendation of Educational Affairs Committee - Admission Policies for Graduate Professional Programs (continued)

In discussing this motion, Mrs. James noted that the programs in nursing, allied health sciences, and dental hygiene were not included in the areas to be studied by the Task Force and indicated that the Committee should continue its efforts in this area by interviewing representatives of these areas and discussing some of the problems first rather than bogging down the Task Force with too many areas which are too divergent.

Dr. Sirak stated his complete agreement with what Mr. Gushman and Mrs. James said. He further indicated that the Task Force method probably should be used for both areas, graduate professional and the undergraduate professional programs to which Mrs. James referred, but in the latter case the matter should be pursued further by the Committee before making such a recommendation.

Upon motion of Mr. Gushman, seconded by Mr. Hilliker, the foregoing resolution was approved by unanimous roll call vote.

F. Report on the University's Investment Portfolio

The report dated September 27, 1974, as submitted to the Finance Committee of the Board of Trustees by Mr. Ernest W. Leggett pertaining to the University's Investment Portfolio, was received and ordered to be filed with the official records of the Board of Trustees.

G. Report on Enrollment

President Enarson also commented on the enrollment for the Autumn Quarter which is significantly larger than that which had been anticipated. He informed the Board that he would provide additional information on this subject at next month's meeting.

\*

\*

\*

Thereupon the Board adjourned to meet Friday, November 1, 1974, at The Ohio State University Fawcett Center for Tomorrow, Columbus, Ohio, at 1:30 p.m.

Attest:

\_\_\_\_\_  
Edward Q. Moulton  
Secretary

\_\_\_\_\_  
William C. Safford  
Chairman

Page 204 Blank

THE OHIO STATE UNIVERSITY  
OFFICIAL PROCEEDINGS OF THE  
ONE THOUSAND ONE HUNDRED AND SECOND MEETING  
OF THE BOARD OF TRUSTEES

Columbus, Ohio, November 1, 1974

The Board of Trustees met at its regular monthly meeting on Friday, November 1, 1974, at The Ohio State University Fawcett Center for Tomorrow, Columbus, Ohio, pursuant to adjournment.

Present: William C. Safford, Chairman, John H. Dunlap, M. Merle Harrod, John L. Gushman, Howard D. Sirak, Patricia D. James, Chester Devenow, and John W. Kessler.

\*

\*

\*

Minutes of the last meeting were approved.

\*

\*

\*

November 1, 1974 meeting, Board of Trustees

President Enarson presented the following recommendations:

I. GENERAL RECOMMENDATIONS

A. Naming of Building

Upon the recommendation of the Department of History, and with the concurrence of the President's Staff, President Enarson recommended that the academic office building presently nearing completion on the site of the former Alumni House at 230 West Seventeenth Avenue be named "Foster Rhea Dulles Hall" in honor of Foster Rhea Dulles, former Professor and Chairman of the Department of History.

Upon motion of Mr. Devenow, seconded by Mr. Gushman, the Board of Trustees approved the foregoing recommendation by unanimous voice vote.

B. Designation of Two Chairs Previously Established

The Board of Trustees established a Chair in Endocrinology in the College of Medicine at the meeting September 7, 1973. A Chair in Radiology in the College of Medicine was subsequently established by this Board on September 6, 1974. In each case the donors requested to be anonymous. The donors have recently indicated their willingness to have the Chairs designated in their names--Ralph W. Kurtz Chair in Endocrinology and Helen C. Kurtz Chair in Radiology.

Support in the amount of \$30,000 for each Chair will be provided from a portion of the income made available from a revocable trust and the annual income from the Ralph W. Kurtz Chair in Endocrinology Fund and Helen C. Kurtz Chair in Radiology Fund, recently established endowment accounts. The funds so provided can be used for the purposes of salary and/or program support.

President Enarson recommended that these Chairs be duly named in accordance with the wishes of the donors.

Upon motion of Mr. Harrod, seconded by Mr. Kessler, the Board of Trustees approved the foregoing recommendation by unanimous voice vote.

C. Budget Summary - First Quarter 1974-1975 Report  
(Quarter Ended September 30, 1974)

President Enarson made the following statement:

Our budgetary activity for the first quarter of this current fiscal year, July 1 to September 30, was as anticipated except for the impact of the salary increases for all State Civil Service employees (Amended Substitute House Bill 1476) which was mandated by the General Assembly last July. As was explained at an earlier Board meeting, while the State will provide the necessary funds, approximately \$1.8 million to support this

I. GENERAL RECOMMENDATIONS (continued)

C. Budget Summary - First Quarter 1974-1975 Report  
(Quarter Ended September 30, 1974) (continued)

President Enarson's statement (continued)

increase, this University was obligated to provide parallel increases for our other employees who are not supported through State appropriations. We also believed it essential to provide some recognition to our faculty and staff members through a modest cost-of-living increase. In the latter two cases, the cost of these increases were either passed on to the users as in the case of the hospitals, dormitories, and auxiliary services; or absorbed within the existing Instructional and General Budget of the University as in the case of most of the faculty and staff increases. The change in the State allocation as well as increased costs of service, and an equivalent increase in the level of income in providing the service as well as the necessary internal relocations are reflected directly in the expenditure statement (Table I) and the income statement (Table II). (See pages 208-210.)

Other than these changes we are very close to our anticipated budget. However, as inflation continues to erode this University's resources it may very well be necessary for us to consider further economies including curtailment in a number of the current activities and services if we are to hold within these projections.

Incidentally, this quarterly summary does not include any adjustments in our State subsidy level or student fees based upon this Autumn Quarter's enrollment. These adjustments will be incorporated in our budget activity report for the second quarter.

President Enarson recommended that the foregoing first quarter budget report be approved.

Upon motion of Mr. Harrod, seconded by Mr. Gushman, the Board of Trustees approved the foregoing recommendation by unanimous roll call vote.

D. Establishment of Office for the Physically Impaired

President Enarson made the following statement and recommendation:

As I am sure you are aware, shortly after I arrived I became concerned with the plight of the physically impaired on this campus. During the past two years I believe that we have made a limited number of gains in this regard through providing ramps to buildings, braille signs, and easing the access to buildings

THE OHIO STATE UNIVERSITY  
 Current General Fund Group Summary  
 Budgeted Expenditures for the 1974-75 Year

TABLE I

	Budget Approved June 14, 1974	Revised Budget September 30, 1974	Difference
Columbus Campus			
Instructional and General			
Departmental Instruction and			
Research	\$103,564,000	\$104,279,000	\$ 715,000
Instructional Services	2,154,000	2,194,000	40,000
Libraries	5,602,000	5,717,000	115,000
Student Services	4,191,000	4,307,000	116,000
Plant Operation	19,558,000	19,868,000	310,000
Institutional Expense	8,435,000	8,618,000	183,000
Total Instructional and General	\$143,504,000	\$144,983,000	\$1,479,000
Sponsored Research			
Research Foundation	\$ 18,540,000	\$ 18,540,000	\$ -0-
Engineering Experiment Station	1,860,000	1,860,000	-0-
Research Administration	1,660,000	1,660,000	-0-
University Sponsored Research	1,773,000	1,786,000	13,000
Other Grants and Contracts	1,379,000	1,379,000	-0-
Total Sponsored Research	\$ 25,212,000	\$ 25,225,000	\$ 13,000
Public Services			
University Hospitals	\$ 50,907,000	\$ 52,781,000	\$1,874,000
Cooperative Extension Service	13,750,000	14,007,000	257,000
Other Grants and Contracts	11,058,000	11,058,000	-0-
University Sponsored Programs	2,398,000	2,444,000	46,000
Conferences	1,200,000	1,200,000	-0-
Total Public Services	\$ 79,313,000	\$ 81,490,000	\$2,177,000
Student Aid			
Scholarship and Loans	\$ 7,007,000	\$ 7,007,000	\$ -0-
Fee Remissions	900,000	900,000	-0-
Total Student Aid	\$ 7,907,000	\$ 7,907,000	\$ -0-



Budgeted Expenditures for the 1974-75 Year (continued)

	Budget Approved June 14, 1974	Revised Budget September 30, 1974	Difference
<b>Auxiliaries</b>			
Student Housing	\$ 15,520,000	\$ 16,457,000	\$ 937,000
Intercollegiate Athletics	6,625,000	6,778,000	153,000
University Bookstores	3,534,000	3,657,000	123,000
Facilities Services	2,630,000	2,630,000	-0-
Meats Laboratory	1,758,000	1,758,000	-0-
Parking Facilities	1,725,000	1,725,000	-0-
Student Health Services	1,492,000	1,508,000	16,000
Student Unions	1,827,000	1,827,000	-0-
University Airport	1,251,000	1,251,000	-0-
Fawcett Center for Tomorrow	1,109,000	1,109,000	-0-
Other	629,000	634,000	5,000
<b>Total Auxiliaries</b>	<b>\$ 38,100,000</b>	<b>\$ 39,334,000</b>	<b>\$1,234,000</b>
<b>Total Columbus Campus</b>	<b>\$294,036,000</b>	<b>\$298,939,000</b>	<b>\$4,903,000</b>
<b>Regional Campuses</b>			
Administration	\$ 125,000	\$ 126,000	\$ 1,000
Lima Campus	1,690,000	1,706,000	16,000
Mansfield Campus	1,634,000	1,650,000	16,000
Marion Campus	1,037,000	1,046,000	9,000
Newark Campus	1,407,000	1,419,000	12,000
Agricultural Technical Institute	923,000	929,000	6,000
<b>Total Regional Campuses</b>	<b>\$ 6,816,000</b>	<b>\$ 6,876,000</b>	<b>\$ 60,000</b>
<b>Grand Total</b>	<b>\$300,852,000</b>	<b>\$305,815,000</b>	<b>\$4,963,000</b>

THE OHIO STATE UNIVERSITY  
 Current General Fund Group Summary  
 Sources of Income to Support the 1974-75 Budget

TABLE II

	Budget Approved June 14, 1974	Revised Budget September 30, 1974	Difference
<b>Columbus Campus</b>			
Government Appropriations			
State of Ohio	\$ 97,933,000	\$ 99,642,000	\$1,709,000
Federal	<u>38,498,000</u>	<u>38,605,000</u>	<u>107,000</u>
Subtotal	\$136,431,000	\$138,247,000	\$1,816,000
Student Fees			
Instructional and General	\$ 45,080,000	\$ 45,080,000	\$ -0-
Room and Board	<u>11,772,000</u>	<u>12,611,000</u>	<u>839,000</u>
Subtotal	\$ 56,852,000	\$ 57,691,000	\$ 839,000
Recovered Costs	\$ 5,541,000	\$ 5,541,000	\$ -0-
Other Income			
Auxiliary Sales and Charges	\$ 66,459,000	\$ 68,707,000	\$2,248,000
Departmental and University			
Services	14,450,000	14,450,000	-0-
Endowment Income	2,600,000	2,600,000	-0-
Gifts and Grants	9,492,000	9,492,000	-0-
Temporary Investments	1,900,000	1,900,000	-0-
Other	<u>282,000</u>	<u>282,000</u>	<u>-0-</u>
Subtotal	\$ 95,183,000	\$ 97,431,000	\$2,248,000
<b>Total Columbus Campus</b>	<u>\$294,007,000</u>	<u>\$298,910,000</u>	<u>\$4,903,000</u>
<b>Regional Campuses</b>			
Lima Campus	\$ 1,758,000	\$ 1,774,000	\$ 16,000
Mansfield Campus	1,635,000	1,652,000	17,000
Marion Campus	1,026,000	1,035,000	9,000
Newark Campus	1,454,000	1,466,000	12,000
Agricultural Technical Institute	<u>943,000</u>	<u>949,000</u>	<u>6,000</u>
Total Regional Campuses	\$ 6,816,000	\$ 6,876,000	\$ 60,000
Grand Total	<u>\$300,823,000</u>	<u>\$305,786,000</u>	<u>\$4,963,000</u>

November 1, 1974 meeting, Board of Trustees

I. GENERAL RECOMMENDATIONS (continued)

D. Establishment of Office for the Physically Impaired (continued)

President Enarson's statement and recommendation (continued)

through ramps, elevators, and remodeling of restrooms, lowering of drinking fountains and providing a special bus for our handicapped students. However, much remains to be done before we can say that truly we have made our educational programs and our employment opportunities fully available to the physically impaired, which is obviously our goal.

I believe it is now time for the creation of an office on this campus, the Office for the Physically Impaired, which is charged with the coordinating responsibility for the identification of all remaining "barriers," and development of appropriate planning for the elimination of all such barriers, and the coordination of all such efforts. However, since such a program would impinge upon every segment of this University, there would be no effective way to delegate the total responsibility for the would-be resolution of all these problems. Instead, we are dependent upon the efforts of almost every office on this campus to resolve some aspect of the total problem.

It is for this reason that I am recommending that this new Office for the Physically Impaired be assigned the coordinating responsibility and that a broadly based Advisory Committee from the University community be appointed in support of this activity.

The administrative head of this office shall be a Director reporting administratively to the University Affirmative Action Officer who in turn is directly responsible to the President.

Upon motion of Mr. Dunlap, seconded by Mr. Devenow, the Board of Trustees approved the foregoing recommendation by unanimous roll call vote.

\*

\*

\*

II. PERSONNEL ACTIONS

Personnel actions since the October 4, 1974 meeting of the Board, as recorded in the official "Salary Roll" of the University, include the following Appointments, Leaves of Absence Without Salary, and Emeritus Title:

II. PERSONNEL ACTIONS (continued)

A. Appointments

Robert E. Taylor, presently Director of the Center for Vocational and Technical Education and Professor in the Department of Agricultural Education and Academic Faculty of Vocational-Technical Education, to Associate Dean in the Colleges of Agriculture and Home Economics and Education, effective November 1, 1974, at No Salary. Dr. Taylor also will continue in his current responsibilities as Director of the Center for Vocational and Technical Education and Professor in the Department of Agricultural Education and Academic Faculty of Vocational-Technical Education.

Nancy J. Brower, Acting Director, Office for the Physically Impaired, effective November 1, 1974, at a salary of \$13,368.00 per annum.

B. Leaves of Absence Without Salary

F. Joe Crosswhite, Professor, Academic Faculty of Science-Mathematics Education, effective October 1, 1974 through December 31, 1974, to serve in the Program Development Section of the National Science Foundation.

R. William Liddle, Associate Professor, Department of Political Science, effective January 1, 1975 through September 30, 1975, to accept a Fulbright-Hays Lectureship at Monash University in Melbourne, Australia.

C. Emeritus Title

Robert F. Daly, Department of Obstetrics and Gynecology, with the title Clinical Professor Emeritus, effective July 1, 1974.

President Enarson recommended that the Appointments, Leaves of Absence Without Salary, Emeritus Title, and personnel budget actions as recorded in the "Salary Roll" of the University be approved.

Upon motion of Mr. Devenow, seconded by Mr. Gushman, the Board of Trustees approved the foregoing recommendation by unanimous roll call vote, and the Secretary was instructed to file these changes in the "Salary Roll," an official document of the University.

\*

\*

\*

III. REPORT OF RESEARCH CONTRACTS, GRANTS, GIFTS, AND AGREEMENTS

FIRST QUARTER 1974-75

OFFICE OF BUSINESS AND ADMINISTRATION

	Number of Projects	Level of Support	% Change from 1973-74
<u>Federal</u>			
Student	15	\$1,362,963.00	22
Training Grants	14	421,261.00	(59)
Total - Federal	29	\$1,784,224.00	(17)
<u>State of Ohio</u>	17	623,242.00	(52)
<u>Industrial and Other</u>	13	371,570.55	(12)
Totals	59	\$2,779,036.55	(28)

THE OHIO STATE UNIVERSITY RESEARCH FOUNDATION

	Number of Projects	Level of Support	% Change from 1973-74
<u>Federal</u>			
U. S. Atomic Energy Commission	0	\$ 0	(100)
National Aeronautics and Space Administration	3	81,488.00	(42)
National Science Foundation	13	352,300.00	(42)
Department of Defense	27	954,222.00	(5)
Health, Education, and Welfare	54	4,404,468.00	67
Other Federal	21	930,782.50	1
Total - Federal	118	\$8,723,260.50	25
<u>State of Ohio</u>	9	132,835.00	(41)
<u>Industrial, Subcontracts, and     Other Non-Federal</u>	55	635,620.00	(60)
Totals	182	\$7,491,715.50	5

November 1, 1974 meeting, Board of Trustees

III. REPORT OF RESEARCH CONTRACTS, GRANTS, GIFTS, AND AGREEMENTS  
(continued)

ENGINEERING EXPERIMENT STATION

	Number of Projects	Level of Support	% Change from 1973-74
<u>Federal</u>	12	\$ 116,343.00	43
<u>State of Ohio</u>	4	107,160.00	(62)
<u>Industrial and Other</u>	<u>55</u>	<u>240,372.00</u>	<u>(71)</u>
Totals	71	\$ 463,875.00	(61)

THE OHIO STATE UNIVERSITY DEVELOPMENT FUND

	Number of Donors	Level of Support	% Change from 1973-74
<u>Annual Giving Group</u>	<u>7,934</u>	<u>\$ 176,068.00</u>	<u>5</u>
<u>Major Resources Group</u>			
Deferred Gifts	9	\$ 394,939.63	N. A.
Major Individual Gifts	168	213,804.73	N. A.
Corporate Gifts	175	316,174.84	N. A.
Foundation and Non- Profit Organization Gifts	<u>112</u>	<u>333,993.26</u>	<u>N. A.</u>
Total	<u>464</u>	<u>\$1,258,912.46</u>	<u>2</u>
Totals	8,398	\$1,434,990.46	2

November 1, 1974 meeting, Board of Trustees

III. REPORT OF RESEARCH CONTRACTS, GRANTS, GIFTS, AND AGREEMENTS  
(continued)

President Enarson recommended that the following contracts and grants negotiated and monies received for the month of September 1974 be accepted.

Summary for September 1974

	No. of Projects	Support Level
Office of Business and Administration	14	\$1,048,415.00
The Ohio State University Research Foundation	62	1,947,410.50
The Engineering Experiment Station	4	<u>100,122.00</u>
		\$3,095,947.50
	(Donors)	
The Ohio State University Development Fund	2,994	\$ 498,594.22

A detailed listing of the items in each section is shown on the following pages.

Upon motion of Mr. Kessler, seconded by Mr. Gushman, the research agreements between The Ohio State University and The Ohio State University Research Foundation for the contracts and grants reported herein, and the acceptance of the report from the Office of Business and Administration and The Ohio State University Development Fund, including the establishment of a named fund, were approved by unanimous voice vote.

III. REPORT OF RESEARCH CONTRACTS, GRANTS, GIFTS, AND AGREEMENTS  
(continued)

A. Office of Business and Administration

1. Federal Contracts/Grants

- a. \$272,917.00 from Department of Health, Education, and Welfare, Public Health Service, Health Resources Administration, Bureau of Health Resources Development, Bethesda, Maryland--\$202,510.00 for Health Professions Student Loans, for period July 1, 1974 through June 30, 1975, and \$70,407.00 for Health Professions Scholarships, for period July 1, 1974 through June 30, 1976, under the direction of College of Dentistry. (I. D. No. 05L390075-75; Former No. 2 7 45 0430 15 1)
- b. \$227,935.00 from Department of Health, Education, and Welfare, Public Health Service, Health Resources Administration, Bureau of Health Resources Development, Bethesda, Maryland--\$207,056.00 for Health Professions Student Loans, for period July 1, 1974 through June 30, 1975, and \$20,879.00 for Health Professions Scholarships, for period July 1, 1974 through June 30, 1976, under the direction of College of Medicine. (I. D. No. 05L390071-75; Former No. 1 7 45 0430 15 1)
- c. \$165,651.00 from Department of Health, Education, and Welfare, Public Health Service, Health Resources Administration, Bureau of Health Resources Development, Bethesda, Maryland--\$144,286.00 for Health Professions Student Loans, for period July 1, 1974 through June 30, 1975, and \$21,365.00 for Health Professions Scholarships, for period July 1, 1974 through June 30, 1976, under the direction of College of Veterinary Medicine. (I. D. No. 05L390083-75; Former No. 7 7 45 0430 15 1)
- d. \$66,090.00 from Defense Civil Preparedness Agency, Region Four, Battle Creek, Michigan, for Conducting Regional and State Local On-Site Assistance Surveys to Determine State and Local Training Requirements, under the direction of Division of Continuing Education, effective October 1, 1974. (Contract No. DCPA01-75-C-0162)
- e. \$54,081.00 from Department of Health, Education, and Welfare, Public Health Service, Health Resources Administration, Bureau of Health Resources Development, Bethesda, Maryland--\$40,000.00 for Health Professions Student Loans, for period July 1, 1974 through June 30, 1975, and \$14,081.00 for Health Professions Scholarships, for period July 1, 1974 through June 30, 1976, under the direction of College of Pharmacy. (I. D. No. 05L390079-75; Former No. 5 7 45 0430 15 1)



III. REPORT OF RESEARCH CONTRACTS, GRANTS, GIFTS, AND AGREEMENTS  
(continued)

A. Office of Business and Administration (continued)

1. Federal Contracts/Grants (continued)

- f. \$52,200.00 from Department of Health, Education, and Welfare, Public Health Service, Health Resources Administration, Bureau of Health Resources Development, Bethesda, Maryland--\$40,000.00 for Health Professions Student Loans, for period July 1, 1974 through June 30, 1975, and \$12,200.00 for Health Professions Scholarships, for period July 1, 1974 through June 30, 1976, under the direction of College of Optometry. (I. D. No. 05L390077-75; Former No. 4 7 45 0430 15 1)
- g. \$47,045.00 from Department of Health, Education, and Welfare, Public Health Service, Health Resources Administration, Bureau of Health Resources Development, Bethesda, Maryland--\$30,000.00 for Health Professions Student Loans, for period July 1, 1974 through June 30, 1975, and \$17,045.00 for Health Professions Scholarships, for period July 1, 1974 through June 30, 1976, under the direction of School of Nursing. (I. D. No. 05L390029-75; Former No. 3 7 45 0430 15 1)
- h. \$31,422.00 from Department of Health, Education, and Welfare, Public Health Service, 300 South Wacker Drive, Chicago, Illinois, for Emergency Medical Services Training Grants, under the direction of School of Nursing, for period October 1, 1974 through September 30, 1975. (I. D. No. 05A000047-01)
- i. \$14,000.00 from Small Business Administration, Washington, D. C., for Management Counseling and Technical Assistance to Small Business Concerns, under the direction of College of Administrative Science, effective September 2, 1974. (Contract No. SBA-1886-PMA-75)
- j. \$5,300.00 from Department of Health, Education, and Welfare, Public Health Service, National Institute of Mental Health, Grants and Contracts Management Branch, Bethesda, Maryland, for a Public Health Service Research Fellowship - Predoctoral, under the direction of Graduate School, for period September 1, 1974 through August 31, 1975. (Fellowship No. 1 F01 MH58184-01)
- k. \$1,750.00 from United States Department of the Interior, Fish and Wildlife Service, Washington, D. C., for conducting research studies on evaluation of strip-mine reclamation for Terrestrial Wildlife Restoration, under the direction of Department of Zoology, for period extending through March 31, 1975. (Contract No. 14-16-0008-1119, Amendment No. 1)

III. REPORT OF RESEARCH CONTRACTS, GRANTS, GIFTS, AND AGREEMENTS  
(continued)

A. Office of Business and Administration (continued)

1. Federal Contracts/Grants (continued)

1. \$1,200.00 from Department of Health, Education, and Welfare, Public Health Service, Fogarty International Center, Scholars and Fellowships Program Branch, Bethesda, Maryland, for a Public Health Service Research Fellowship - International, under the direction of Department of Surgery, effective fiscal year 1975. (Fellowship No. 3 F05 TW02075-31S1)

TOTAL - Federal Contracts/Grants \$939,591.00

2. State of Ohio Contract/Grant

- a. \$85,399.00 from State of Ohio, Department of Mental Health and Mental Retardation, Division of Management Services, Columbus, Ohio, for Research, Development, and Evaluation of Training Media and Materials for Professionals in Active Care and Habilitation of the Multiply Handicapped/Severely and Profoundly Retarded, under the direction of Nisonger Center for Mental Retardation, for period July 1, 1974 through June 30, 1975.

3. Industrial and Other Contract/Grant

- a. \$23,425.00 from Salinas Union High School District, Salinas, California, for providing a continuing organizational structure to facilitate the development and implementation of career education in the member school districts in the Alliance for Career Education, under the direction of Center for Vocational and Technical Education, for period July 1, 1974 through June 30, 1975. (Contract No. CVE/ACE-106-SUHS-74)

B. The Ohio State University Research Foundation

1. Federal Research Contracts/Grants

- a. \$474,381.00 from Department of Health, Education, and Welfare, Public Health Service, National Institutes of Health, National Institute of Neurological Diseases and Stroke, Bethesda, Maryland, for Acute Spinal Cord Injury Research Center, under the direction of Department of Surgery, for period September 1, 1974 through August 31, 1975. (Project 3358-A3 - Ext. #2)

III. REPORT OF RESEARCH CONTRACTS, GRANTS, GIFTS, AND AGREEMENTS  
(continued)

B. The Ohio State University Research Foundation (continued)

1. Federal Research Contracts/Grants (continued)

- b. \$202,081.00 from Department of Health, Education, and Welfare, Assistant Secretary for Planning and Evaluations, Washington, D. C., for Feasibility of Standardized Determination of Disability and Long-Term Care, under the direction of Mershon Center for Education in National Security, for period July 1, 1974 through June 30, 1975. (Project 3968-A1 - New)
- c. \$141,000.00 from Department of Health, Education, and Welfare, Public Health Service, Health Resources Administration, Division of Dental Health, Region V, Chicago, Illinois, for Training Program in Expanded Functions for Dental Auxiliaries, under the direction of College of Dentistry, for period June 28, 1974 through June 30, 1975. (Project 3971-A1 - New)
- d. \$99,952.00 from Department of Transportation, Federal Highway Administration, Washington, D. C., for Field Test and Evaluation Center for Eastern States--Reference Skid Measuring Systems Design, under the direction of College of Engineering, Engineering Experiment Station, for period June 21, 1974 through November 21, 1974. (Project 3535-C1 - New)
- e. \$91,255.00 additional funds from Department of the Army, Defense Supply Service, Washington, D. C., for The Utilization of the Behavioral Sciences in Long Range Forecasting and Policy Planning, under the direction of Department of Political Science. (Project 3527-A1 - Mod. #P00002)
- f. \$77,755.00 from Department of Health, Education, and Welfare, Public Health Service, National Institutes of Health, National Heart and Lung Institute, Bethesda, Maryland, for Non-Invasive Measurement of Airways Resistance, under the direction of Department of Electrical Engineering, for period September 1, 1974 through August 31, 1975. (Project 4040-A1 - New)
- g. \$56,004.00 from Department of Health, Education, and Welfare, Public Health Service, National Institutes of Health, National Institute of Child Health and Human Development, Bethesda, Maryland, for Comparative Studies in Perinatal Toxicology, under the direction of Department of Veterinary Physiology and Pharmacology, for period October 1, 1974 through September 30, 1975. (Project 2962-E - Ext. #5)

III. REPORT OF RESEARCH CONTRACTS, GRANTS, GIFTS, AND AGREEMENTS  
(continued)

B. The Ohio State University Research Foundation (continued)

1. Federal Research Contracts/Grants (continued)

- h. \$53,537.00 from Department of Health, Education, and Welfare, Public Health Service, National Institutes of Health, National Heart and Lung Institute, Bethesda, Maryland, for New Chemotherapy of Sickle Cell Disease, under the direction of Department of Medicine, for period September 1, 1974 through August 31, 1975. (Project 3537-A3 - Ext. #2)
- i. \$46,488.00 from National Aeronautics and Space Administration, Goddard Space Flight Center, Greenbelt, Maryland, for The Direct Combination of Satellite and Gravity Data, under the direction of Department of Geodetic Science, for period May 1, 1971 through April 15, 1975. (Project 3210-A1 - Mod. #4)
- j. \$40,000.00 from National Science Foundation, Washington, D. C., for Catalysis by Labile Metal Ions in Mixed Ligand Systems, under the direction of Department of Chemistry, for period September 1, 1974 through August 31, 1975. (Project 4039-A1 - New)
- k. \$37,301.00 from Department of Health, Education, and Welfare, Public Health Service, National Institutes of Health, National Institute of Neurological Diseases and Stroke, Bethesda, Maryland, for Development of Selective B-Adrenoreceptive Agents, under the direction of College of Pharmacy, for period September 1, 1974 through August 31, 1975. (Project 3798-A2 - Ext. #2)
- l. \$36,871.00 from Department of Health, Education, and Welfare, Public Health Service, National Institutes of Health, National Institute of Neurological Diseases and Stroke, Bethesda, Maryland, for Development of A Semiconductor Gamma Camera System for Nuclear Medicine, under the direction of Department of Mechanical Engineering, Division of Nuclear Engineering, for period June 30, 1972 through December 31, 1974. (Project 3495-A1 - Mod. #5)
- m. \$35,000.00 from National Science Foundation, Washington, D. C., for Electron Microscopy of Paleozoic Pollen and Spores, under the direction of Department of Botany, for period September 1, 1974 through August 31, 1976. (Project 4050-A1 - New)
- n. \$34,018.00 from Department of Health, Education, and Welfare, Public Health Service, National Institutes of Health, National Institute of Arthritis, Metabolic and Digestive Diseases, Bethesda, Maryland, for Polyunsaturated Fatty Acid Interconversions, under the direction of Department of Physiological Chemistry, for period September 1, 1974 through August 31, 1975. (Project 2090-J - Ext. #8)

III. REPORT OF RESEARCH CONTRACTS, GRANTS, GIFTS, AND AGREEMENTS  
(continued)

B. The Ohio State University Research Foundation (continued)

1. Federal Research Contracts/Grants (continued)

- o. \$31,700.00 from National Science Foundation, Washington, D. C., for Further Development of a Microparticle Laboratory for the Study of Ice Cores, under the direction of Institute of Polar Studies, for period October 1, 1974 through September 30, 1975. (Project 4037-A1 - New)
- p. \$31,669.00 from Department of Health, Education, and Welfare, Public Health Service, National Institutes of Health, National Institute of Neurological Diseases and Stroke, Bethesda, Maryland, for Stereochemical Studies of Adrenergic Drugs, under the direction of College of Pharmacy, for period September 1, 1974 through August 31, 1975. (Project 3034-A5 - Ext. #5)
- q. \$30,983.00 from Department of Health, Education, and Welfare, Public Health Service, National Institutes of Health, National Institute of Neurological Diseases and Stroke, Bethesda, Maryland, for A Comparative Study of the Extrapyramidal System, under the direction of Department of Anatomy, for period September 1, 1974 through August 31, 1975. (Project 2512-G - Ext. #7)
- r. \$25,200.00 from National Science Foundation, Washington, D. C., for Machine Constructions of the Graphs of Organic Molecules, under the direction of Department of Mathematics, for period September 1, 1974 through August 31, 1975. (Project 4034-A1 - New)
- s. \$24,856.00 from Department of Health, Education, and Welfare, Public Health Service, Alcohol, Drug Abuse, and Mental Health Administration, National Institute of Mental Health, Rockville, Maryland, for Phenothiazine Metabolites as Mitochondrial Inhibitors, under the direction of Department of Pharmacology, for period September 1, 1974 through August 31, 1975. (Project 3727-A2 - Ext. #1)
- t. \$22,965.00 additional funds from Department of the Air Force, Air Force Systems Command, Rome Air Development Center, Griffiss Air Force Base, New York, for Multifunction TDMA Techniques, under the direction of Department of Electrical Engineering, ElectroScience Laboratory. (Project 3364-A1 - Mod. #P00014)

III. REPORT OF RESEARCH CONTRACTS, GRANTS, GIFTS, AND AGREEMENTS  
(continued)

B. The Ohio State University Research Foundation (continued)

1. Federal Research Contracts/Grants (continued)

- u. \$22,100.00 from National Science Foundation, Washington, D. C., for Effect of Harvest on Food Utilization and Production of the Crayfish *Orconectes*, under the direction of Department of Zoology, for period February 1, 1972 through August 31, 1976. (Project 3388-A1 - Ltr. Dtd. 9/4/74)
- v. \$21,447.00 from Department of Health, Education, and Welfare, Public Health Service, National Institutes of Health, National Institute of Arthritis, Metabolic and Digestive Diseases, Bethesda, Maryland, for Vitamin D: Role of Induced CA-ATPase in Intestine, under the direction of Department of Veterinary Pathobiology, for period September 1, 1974 through August 31, 1975. (Project 4035-A1 - New)
- w. \$20,000.00 from National Science Foundation, Washington, D. C., for Mechanism of Phosphorylation, under the direction of Department of Biochemistry, for period August 1, 1970 through September 30, 1975. (Project 3081-A1 - Ltr. Dtd. 9/10/74)
- x. \$19,900.00 from National Science Foundation, Washington, D. C., for Preparation and Publication of an Atlas of Spectra of Cool Stars, under the direction of Department of Astronomy, for period September 15, 1974 through September 14, 1975. (Project 4047-A1 - New)
- y. \$18,265.00 from Department of Health, Education, and Welfare, Public Health Service, National Institutes of Health, National Institute of Child Health and Human Development, Bethesda, Maryland, for Studies on the Effect of Obesity on Reproduction, under the direction of Department of Veterinary Physiology and Pharmacology, for period September 1, 1974 through August 31, 1975. (Project 4041-A1 - New)
- z. \$17,084.00 from Department of Health, Education, and Welfare, Public Health Service, National Institutes of Health, National Institute of Child Health and Human Development, Bethesda, Maryland, for Higher Level Units in Perception, under the direction of Department of Psychology, for period September 1, 1974 through August 31, 1975. (Project 4051-A1 - New)
- aa. \$17,008.00 from Department of Health, Education, and Welfare, Public Health Service, Alcohol, Drug Abuse, and Mental Health Administration, National Institute of Mental Health, Bethesda, Maryland, for Amphetamine Tolerance: Central and Peripheral Studies, under the direction of College of Pharmacy, for period September 1, 1974 through August 31, 1975. (Project 3541-A3 - Ext. #2)

III. REPORT OF RESEARCH CONTRACTS, GRANTS, GIFTS, AND AGREEMENTS  
(continued)

B. The Ohio State University Research Foundation (continued)

1. Federal Research Contracts/Grants (continued)

- bb. \$12,824.00 from Department of Health, Education, and Welfare, Public Health Service, Center for Disease Control, National Institute of Occupational Safety and Health, Rockville, Maryland, for Presentation of Instructional Course Entitled "Program Officials Guide to Contracting," under the direction of College of Administrative Science, Division of Continuing Education, for period September 16, 1974 through March 31, 1975. (Project 4048-A1 - New)
- cc. \$11,960.00 additional funds from Department of Health, Education, and Welfare, Public Health Service, Food and Drug Administration, Rockville, Maryland, for Conducting Training Course Entitled "Program Officials Guide to Contracting," under the direction of College of Administrative Science, Division of Continuing Education. (Project 3814-A1 - Mod. #3)
- dd. \$5,000.00 additional funds from National Aeronautics and Space Administration, Goddard Space Flight Center, Greenbelt, Maryland, for Scintillation Analysis of ATS-5 Data, under the direction of Department of Electrical Engineering, ElectroScience Laboratory. (Project 3863-B1 - Mod. #4)
- ee. \$4,100.00 from National Science Foundation, Washington, D. C., for A Specialist's Meeting on Fluid Dynamic Aspects of Arterial Disease, under the direction of Department of Aeronautical and Astronautical Engineering, for period September 1, 1974 through February 28, 1975. (Project 4038-A1 - New)
- ff. \$3,100.00 from Department of Health, Education, and Welfare, Public Health Service, National Institutes of Health, National Cancer Institute, Bethesda, Maryland, for Brain Tumor Chemotherapy Study, under the direction of Department of Surgery, for period September 1, 1969 through September 30, 1974. (Project 2484 - Mod. #11)
- gg. \$2,950.00 from Department of Health, Education, and Welfare, Office of Education, Washington, D. C., for Program Officer's Course in Government Contracting, under the direction of College of Administrative Science, Division of Continuing Education, for period September 1, 1974 through September 30, 1974. (Project 4044-A1 - New)
- hh. \$2,812.50 from Civil Service Commission, Washington, D. C., for Inter Government Training Course Preparation and Instruction, under the direction of College of Administrative Science, Division of Continuing Education, for period February 11, 1974 through January 29, 1975. (Project 3808-G1 - Purchase Order Dtd. 9/10/74)

III. REPORT OF RESEARCH CONTRACTS, GRANTS, GIFTS, AND AGREEMENTS  
(continued)

B. The Ohio State University Research Foundation (continued)

1. Federal Research Contracts/Grants (continued)

- ii. \$2,600.00 additional funds from Civil Service Commission, Washington, D. C., for "Government Contract Law" Course, under the direction of College of Administrative Science, Division of Continuing Education. (Project 3808-E1 - Amend. #1)
- jj. \$2,463.00 from Department of the Army, Medical Research and Development Command, Washington, D. C., for Isolation and Characterization of Plasmodial and Babesial Antigens, under the direction of Department of Microbiology, for period December 1, 1971 through December 31, 1974. (Project 3365-A1 - Mod. P-504)
- kk. \$1,300.00 from Civil Service Commission, Washington, D. C., for "Research and Development Contracting" Course for U. S. Civil Service, under the direction of College of Administrative Science, Division of Continuing Education, for period August 1, 1973 through September 30, 1974. (Project 3808-B1 - Amend. #1)
- ll. \$1,300.00 from Civil Service Commission, Washington, D. C., for "Government Property Administration" Course for U. S. Civil Service, under the direction of College of Administrative Science, Division of Continuing Education, for period August 1, 1973 through October 31, 1974. (Project 3808-C1 - Amend. #1)

TOTAL - Federal Research Contracts/Grants \$1,779,229.50

2. Industrial, Subcontracts/Grants and Other  
Non-Federal Research Contracts/Grants

- a. \$16,000.00 from Illuminating Engineering Research Institute, New York, New York, for Studies of Visual Performance and Illumination, under the direction of College of Biological Sciences, Institute for Research in Vision, for period July 1, 1974 through June 30, 1975. (Project 885-A - Ext. #8)
- b. \$15,000.00 from State of Ohio, Department of Health, Columbus, Ohio, for Newborn Care, under the direction of Department of Pediatrics, for period July 1, 1974 through June 30, 1975. (Project 2052-J - Ext. #10)
- c. \$7,500.00 from American Heart Association, Central Ohio Heart Chapter, Columbus, Ohio, for Chronic Beta Adrenergic Blockade-- Effects on Coronary Collateral Formation and Hemodynamics, under the direction of Department of Surgery, for period October 1, 1974 through September 30, 1975. (Project 4020-A1 - New)



III. REPORT OF RESEARCH CONTRACTS, GRANTS, GIFTS, AND AGREEMENTS

(continued)

B. The Ohio State University Research Foundation (continued)

2. Industrial, Subcontracts/Grants and Other  
Non-Federal Research Contracts/Grants (continued)

- d. \$7,500.00 from American Heart Association, Central Ohio Heart Chapter, Columbus, Ohio, for Effects of Paired Ventricular Pacing on Infarct Size, under the direction of Department of Surgery, for period October 1, 1974 through September 30, 1975. (Project 4021-A1 - New)
- e. \$7,500.00 from American Heart Association, Central Ohio Heart Chapter, Columbus, Ohio, for Effects of Beta Blockade and Paired Pacing on  $MVO_2$ , under the direction of Department of Surgery, for period October 1, 1974 through September 30, 1975. (Project 4023-A1 - New)
- f. \$7,500.00 from American Heart Association, Central Ohio Heart Chapter, Columbus, Ohio, for Hot Film Velocity Measurements in Vein Grafts, under the direction of Departments of Aeronautical and Astronautical Engineering and Surgery, for period October 1, 1974 through September 30, 1975. (Project 4024-A1 - New)
- g. \$7,500.00 from American Heart Association, Central Ohio Heart Chapter, Columbus, Ohio, for Optimization of Hemodynamics During Balloon Pumping, under the direction of Department of Surgery, for period October 1, 1974 through September 30, 1975. (Project 4027-A1 - New)
- h. \$7,500.00 from American Heart Association, Central Ohio Heart Chapter, Columbus, Ohio, for Kinetics of ATP Formation in Heart Mitochondria, under the direction of Department of Surgery, for period October 1, 1974 through September 30, 1975. (Project 4029-A1 - New)
- i. \$7,500.00 from American Heart Association, East Central Ohio Chapter, Inc., Canton, Ohio, for The Renin-Angiotensin System: A Comparative View, under the direction of Department of Physiology, for period October 1, 1974 through September 30, 1975. (Project 4049-A1 - New)
- j. \$7,497.00 from American Heart Association, Central Ohio Heart Chapter, Columbus, Ohio, for The Role of Acidic Nucleoproteins Cardiac Hypertrophy, under the direction of Department of Veterinary Pathobiology, for period October 1, 1974 through September 30, 1975. (Project 4026-A1 - New)

III. REPORT OF RESEARCH CONTRACTS, GRANTS, GIFTS, AND AGREEMENTS  
(continued)

B. The Ohio State University Research Foundation (continued)

2. Industrial, Subcontracts/Grants and Other  
Non-Federal Research Contracts/Grants (continued)

- k. \$7,455.00 from American Heart Association, Central Ohio Heart Chapter, Columbus, Ohio, for Action of Carbon Monoxide on Coronary Vasculature, under the direction of Department of Physiology, for period October 1, 1974 through September 30, 1975. (Project 4028-A1 - New)
- l. \$7,382.00 from American Heart Association, Central Ohio Heart Chapter, Columbus, Ohio, for Myocardial Heat Dissipation Via Coronary Vasculature, under the direction of Department of Physiology, for period October 1, 1974 through September 30, 1975. (Project 4025-A1 - New)
- m. \$7,292.00 from American Heart Association, Central Ohio Heart Chapter, Columbus, Ohio, for Physiological Responses of Females to Interval Training Programs, under the direction of College of Education, School of Health, Physical Education, and Recreation, for period October 1, 1974 through September 30, 1975. (Project 4012-A1 - New)
- n. \$7,140.00 from American Heart Association, Central Ohio Heart Chapter, Columbus, Ohio, for Drug Interactions Influencing Digitalis Metabolism, under the direction of Department of Medicine, for period October 1, 1974 through September 30, 1975. (Project 4030-A1 - New)
- o. \$6,935.00 from American Heart Association, Central Ohio Heart Chapter, Columbus, Ohio, for Dynamic Pulmonary Artery Impedance, under the direction of Department of Veterinary Physiology and Pharmacology, for period October 1, 1974 through September 30, 1975. (Project 4016-A1 - New)
- p. \$6,930.00 from American Heart Association, Central Ohio Heart Chapter, Columbus, Ohio, for Neurohypophyseal and Adrenergic Vasomotor Interactions, under the direction of Department of Physiology, for period October 1, 1974 through September 30, 1975. (Project 4018-A1 - New)
- q. \$6,483.00 from American Heart Association, Central Ohio Heart Chapter, Columbus, Ohio, for Mechanism of Inhibition of Quabain Toxicity, under the direction of Department of Pharmacology, for period October 1, 1974 through September 30, 1975. (Project 4019-A1 - New)

III. REPORT OF RESEARCH CONTRACTS, GRANTS, GIFTS, AND AGREEMENTS  
(continued)

B. The Ohio State University Research Foundation (continued)

2. Industrial, Subcontracts/Grants and Other  
Non-Federal Research Contracts/Grants (continued)

- r. \$5,408.00 from American Heart Association, Central Ohio Heart Chapter, Columbus, Ohio, for Arrhythmias in Smokers with Acute Myocardial Infarction, under the direction of Department of Medicine, for period October 1, 1974 through September 30, 1975. (Project 4022-A1 - New)
- s. \$5,387.00 from American Heart Association, Central Ohio Heart Chapter, Columbus, Ohio, for Aortic Fluid Mechanics and Severe Atherosclerosis, under the direction of Department of Veterinary Physiology and Pharmacology, for period October 1, 1974 through September 30, 1975. (Project 4017-A1 - New)
- t. \$5,000.00 from World Health Organization, Geneva, Switzerland, for Support of Research Involving Immunological Methods of Fertility Regulation, under the direction of Department of Obstetrics and Gynecology, for period August 19, 1974 through August 31, 1975. (Project 4042-A1 - New)
- u. \$4,500.00 from University of Pittsburgh, Pittsburgh, Pennsylvania, for Study of Treatment of Primary Breast Cancer, under the direction of Department of Surgery, for period July 1, 1974 through December 31, 1974. (Project 3639-A3 - Ext. #2)
- v. \$3,500.00 from Bristol Laboratories, Syracuse, New York, for Antiarrhythmic Effects of BL-3677A, under the direction of Department of Medicine, for period August 1, 1974 through June 30, 1975. (Project 4046-A1 - New)
- w. \$2,100.00 from American Heart Association, Central Ohio Heart Chapter, Columbus, Ohio, for Aortic Fluid Mechanics and Severe Atherosclerosis, under the direction of Department of Aeronautical and Astronautical Engineering, for period October 1, 1974 through September 30, 1975. (Project 4017-B1 - New)
- x. \$1,672.00 from American Heart Association, Eastern Ohio Chapter, Youngstown, Ohio, for Thyroid Hormones and Electrical Properties of Frog Heart, under the direction of Department of Physiology, for period October 1, 1974 through September 30, 1975. (Project 4052-A1 - New)

TOTAL - Industrial, Subcontracts/Grants and Other  
Non-Federal Research Contracts/Grants \$168,181.00

III. REPORT OF RESEARCH CONTRACTS, GRANTS, GIFTS, AND AGREEMENTS  
(continued)

C. The Engineering Experiment Station

1. Federal Research Contract

- a. \$7,706.00 from U. S. Department of the Interior, Washington, D. C., for Stream Deoxygenation Rates, under the direction of Water Resources Center, for period July 1, 1974 through June 30, 1975. (EES 492)

2. State Research Contract

- a. \$46,320.00 from State of Ohio, Department of Transportation, Columbus, Ohio, for Field Performance of Flexible Culvert Pipes, under the direction of Department of Civil Engineering, for period September 5, 1974 through September 4, 1975. (EES 463, Ext. #1)

3. Industrial and Other Research Contracts

- a. \$28,310.00 from NABISCO, Inc., New York, New York, for The Application of Electrostatic Fields and Corona Winds in the Improvement of the Baking Process, under the direction of Department of Mechanical Engineering, for period July 11, 1974 through June 30, 1975. (EES 439, Ext. #2)
- b. \$17,786.00 from Bryan Chamber of Commerce, Bryan, Ohio, for Guidelines for Aesthetic Enhancement of Downtown Environment of Small Mid-Western Public Square Centered Towns with Case Study Applications to Bryan, Ohio, under the direction of School of Architecture, for period September 9, 1974 through December 9, 1975. (EES 499)

TOTAL - Industrial and Other Research Contracts \$46,096.00

D. The Ohio State University Development Fund

1. Gifts of \$5,000 or More

- a. \$113,498.01 from Janet French Houston Estate, Newark, New Jersey, for a fellowship fund in Engineering Graphics.
- b. \$54,982.91 from The Associates of Medicine, Columbus, Ohio, for continued support of the Department of Medicine General Fund.
- c. \$30,000.00 from ALCOA Foundation, Pittsburgh, Pennsylvania--\$20,000.00 for their Professorship in Chemical Engineering and \$10,000.00 for their Affirmative Action Program in Engineering.

III. REPORT OF RESEARCH CONTRACTS, GRANTS, GIFTS, AND AGREEMENTS  
(continued)

D. The Ohio State University Development Fund (continued)

1. Gifts of \$5,000 or More (continued)

- d. \$25,000.00 from Samuel H. Kress Foundation, New York, New York, to support the purchase of the Rinhart Archive of Daguerreian Art.
- e. \$17,638.15 from Glenna R. Joyce Testamentary Trust, Columbus, Ohio, for scholarships.
- f. \$15,110.00 from American Foundation for Pharmaceutical Education, Fair Lawn, New Jersey, for their fellowship fund.
- g. \$14,031.67 from The Ohio Electric Utility Institute, Columbus, Ohio, for their fellowship fund in Electrical Engineering.
- h. \$10,000.00 from Eastman Kodak Company, Rochester, New York, for use by the Department of Chemistry.
- i. \$10,000.00 from C. R. Porthouse Charitable Trust, Kent, Ohio (given in the names of Roberta A. Benich, Cyril R. Porthouse, J. David Porthouse, Jacqueline S. Porthouse, and Roberta Porthouse), for the University Activities Center.
- j. \$10,000.00 from Dr. Sidney Pressey, Columbus, Ohio, for a new scholarship fund for students in Home Economics.
- k. \$9,069.00 from The Charles F. High Foundation, Bucyrus, Ohio, for their scholarship fund.
- l. \$7,717.00 from The Grace High Washburn Trust, Bucyrus, Ohio, for their named scholarship fund.
- m. \$6,000.00 from The Lubrizol Foundation, Cleveland, Ohio--  
\$2,000.00 for fellowships for the Department of Chemical Engineering, \$2,000.00 for fellowships for the Department of Chemistry, \$1,000.00 for scholarships for the Department of Mechanical Engineering, \$500.00 for scholarships for the Academic Faculty of Accounting, and \$500.00 for scholarships for the Department of Mathematics.
- n. \$5,575.00 from International Research and Exchanges Board, New York, New York, for support of research by Dr. Zbigniew Walaszek, IREX scholar from Poland.
- o. \$5,500.00 from Amoco Foundation, Chicago, Illinois, for their fellowship fund in Chemical Engineering.

III. REPORT OF RESEARCH CONTRACTS, GRANTS, GIFTS, AND AGREEMENTS  
(continued)

D. The Ohio State University Development Fund (continued)

1. Gifts of \$5,000 or More (continued)

- p. \$5,212.26 from Newark OSU Development Fund, Newark, Ohio, for the Newark Campus Scholarship Fund.
- q. \$5,000.00 from Barry Equipment Company, Perrysburg, Ohio, for a new project for any purpose deemed necessary by the Acting Director of University Hospital.
- r. \$5,000.00 from General Motors Corporation, Warren, Michigan, for research in Metallurgical Engineering.
- s. \$5,000.00 from National Machinery Foundation, Inc., Tiffin, Ohio, for their fund for Mechanical Engineering.
- t. \$5,000.00 from Warren-Teed Pharmaceuticals, Inc., Columbus, Ohio, for gastroenterology research.

2. Establishment of Named Fund

- a. \$2,411.68 from John G. Boutselis, M. D., for the establishment of The John G. Boutselis Fund in Obstetrics and Gynecology.

The John G. Boutselis Fund in Obstetrics and Gynecology

The John G. Boutselis Fund in Obstetrics and Gynecology was established November 1, 1974, by the Board of Trustees of The Ohio State University with gifts to The Ohio State University Development Fund from John G. Boutselis, M. D., M.M.Sc. '56, Columbus, Ohio.

All gifts are to be invested in the University's Permanent Endowment under the rules and regulations adopted by the Board of Trustees of The Ohio State University with the right to invest and reinvest as occasion dictates.

The annual income is to be added to the principal until the fund reaches \$10,000. At that time, the income is to be used: to further the advancement of knowledge in gynecology and obstetrics, with special emphasis on gynecologic oncology; to provide support for clinical and basic science research; to conduct postgraduate courses and seminars of interest to staff, residents, and students; and for the publication of texts, periodicals, etc. The income is to be used in accordance with suggestions of Dr. Boutselis subject to the approval of the Chairman of the Department of Obstetrics and Gynecology and the Dean of the College of Medicine.

III. REPORT OF RESEARCH CONTRACTS, GRANTS, GIFTS, AND AGREEMENTS  
(continued)

D. The Ohio State University Development Fund (continued)

2. Establishment of Named Fund (continued)

a. The John G. Boutselis Fund in Obstetrics and Gynecology (continued)

After Dr. Boutselis retires from active teaching at the University, the income may be used for purposes recommended by the Chairman of the Department of Obstetrics and Gynecology and approved by the Dean of the College of Medicine.

Should the Department of Obstetrics and Gynecology or the College of Medicine cease to exist through any reorganization of the University, then the income may be used by the Board of Trustees with preference being given to the recommendations of the appropriate administrative official of the University who is then directly responsible for medical education.

3. Gift-in-Kind

a. John W. Galbreath has made a gift of an Aircraft Hangar to the University. This hangar which is presently located at Darby Dan Farm will be removed and reconstructed at Don Scott Field for use by our Department of Aviation.

\*

\*

\*

IV. BUSINESS AND ADMINISTRATION

A. Plans and Specifications

At the request of the Vice President for Business and Administration, President Enarson recommended that the plans and specifications, bills of materials, and estimates of cost for the following projects be approved by the Board of Trustees:

1. Page Hall--Interior Repairs to Room 200

This project will involve the removal and replacement of ceiling and painting of Room 200.

Funds are budgeted in Budget Account 126070 (Contract Repair).

2. Pomerene Hall--Interior Painting

This project will provide patch plastering and painting and the installation of vinyl wall covering in various offices. The interior of this building was last painted in 1963.

Funds are budgeted in Budget Account 126070 (Contract Repair).

IV. BUSINESS AND ADMINISTRATION (continued)

A. Plans and Specifications (continued)

3. Galvin Hall - New Elevator

The Ohio State University Lima Campus (Lima, Ohio)

This project is to complete the installation of the second elevator and coordinating controls with the existing elevator in Galvin Hall.

Funds are budgeted in Budget Account 801302 (Galvin Hall Elevator).

4. Starling Loving Hall, Remodeling for the College of Optometry

This project consists of remodeling and renovation of parts of A-Wing, Starling Loving Hall, to provide facilities to accommodate expansion in enrollment in degree programs of the College of Optometry and for initiation of a program for training of optometric technicians.

Funds are budgeted in H. B. 985, Item 315-071 (College of Optometry, Clinical Facility), and Budget Account 801230 (Optometry Addition).

5. Newark Campus, Phase II

This project will provide a new building with facilities for the Technical Education Program of the Central Ohio Technical College and the Baccalaureate Program of The Ohio State University. The new building will be located on the Newark Campus south of Founders Hall (Phase I Building).

Funds are budgeted in H. B. 988, Item 315-085, and H. B. 985, Item 315-085 (Ohio State University, in cooperation with Central Ohio Technical College - Newark).

Upon motion of Mr. Harrod, seconded by Mr. Gushman, the above recommendation was approved by unanimous roll call vote, and the Secretary was authorized and directed to sign the plans and specifications for the above projects for and on behalf of the Board of Trustees. The Vice President for Business and Administration was directed to proceed with a request for bids in the normal University manner, and if satisfactory bids are received to proceed with the award of contracts. All action regarding this matter will be reported to the Board of Trustees at a later meeting.

B. Report of Award of Contracts

1. Advertised Projects

In accordance with authorization provided by the Board of Trustees, bids were taken on the projects listed below and the contracts were recommended for award. The action reported to the Board was as follows:



November 1, 1974 meeting, Board of Trustees

IV. BUSINESS AND ADMINISTRATION (continued)

B. Report of Award of Contracts (continued)

1. Advertised Projects (continued)

a. Mansfield Campus--Recreational Facility

	<u>Low Bid</u>	<u>Est. of Cost</u>
<u>General Contract</u> (1 bid received 9-24-74, Rebid) Mansfield Asphalt Company (Mansfield, Ohio)	\$31,523.00	\$ 32,000.00

Funds are budgeted in Budget Account 801299 (Mansfield Recreational Courts).

b. Evans Laboratory--Ventilation (Phase I, First Floor)

	<u>Low Bid</u>	<u>Est. of Cost</u>
<u>Mechanical Contract</u> (3 bids received 9-5-74) R. H. Reeb Plumbing and Piping Co. (Columbus)	\$67,700.00	\$ 68,000.00
<u>Electrical Contract</u> (2 bids received 9-24-74, Rebid) Jess Howard Electric Company (Columbus)	<u>31,999.00</u>	<u>35,000.00</u>
<u>Total All Contracts</u>	<u>\$99,699.00</u>	<u>\$103,000.00</u>

Funds are budgeted in H. B. 985 (Utilities and Renovation).

2. Bids Received Through The Ohio State University Purchasing Department

Bids were requested and received on the project listed below by The Ohio State University Purchasing Department. The action reported to the Board was as follows:

a. Calf-Holding Shed, Moores Demonstration Farm, Ashland County, Ohio

	<u>Low Bid</u>
<u>General Contract (Pole Structure)</u> (4 bids received 10-7-74) Eick Building & Dairy Services (Wooster, Ohio)	\$29,925.99*

\*Equipment purchase and erection of shed.

IV. BUSINESS AND ADMINISTRATION (continued)

B. Report of Award of Contracts (continued)

2. Bids Received Through The Ohio State University Purchasing Department (continued)

a. Calf-Holding Shed, Moores Demonstration Farm, Ashland County, Ohio (continued)

Funds are budgeted in Budget Account 921000 (Moores Farm).

Upon motion of Mr. Dunlap, seconded by Mr. Harrod, the above award of contracts and expenditure of funds were approved, and the action of the Vice President for Business and Administration was ratified by unanimous roll call vote.

C. Other

1. Easements

Gas Line Replacement North Star and Kenny Roads - Columbia Gas of Ohio, Inc.

The University has received notice from Columbia Gas of Ohio, Inc., that the gas line crossing University lands between North Star Road and Kenny Road is to be replaced with a new line in accordance with an easement granted in August 1905.

Underground Electric Service Line - University Agriculture Land - Carroll, Ohio - South Central Power Company

The University has received a request from the South Central Power Company for an easement to install an underground electric service at 3525 Pickerington Road, Carroll, Ohio. The line will be constructed within the limits of a ten-foot strip of land approximately 1,015 feet in distance, terminating at the University's equipment storage and horticulture research building.

Don Scott Field - Landing Approach System - Underground Electric Service Lines - Columbus and Southern Ohio Electric Company

The University has received a request from the Columbus and Southern Ohio Electric Company for two easements to install underground electric service to the MALSR (Landing Approach System) shelter and transmitter sheds. The lines will be constructed within a ten-foot strip of land being approximately 818 feet and 1,000 feet connected to existing electric service within the easements approved by the Board of Trustees action on November 3, 1973.

IV. BUSINESS AND ADMINISTRATION (continued)

C. Other (continued)

1. Easements (continued)

Kenny Road Agriculture Land - Underground Electric Service  
Line - Columbus and Southern Ohio Electric Company

The University has received a request from the Columbus and Southern Ohio Electric Company for an easement to install an underground electric service at 2623 Kenny Road. This service was requested by the College of Agriculture and Home Economics. The line will be constructed within the limits of a five-foot strip of land approximately 789.5 ft. in distance terminating at the grain laboratory building.

It was recommended that the President and/or Vice President for Business and Administration be authorized to request the Director of Department of Administrative Services, pursuant to his statutory duties, to act on behalf of the University in developing the necessary legal instruments to provide for the above easements.

Upon motion of Mr. Dunlap, seconded by Mr. Kessler, the above recommendation was approved by unanimous roll call vote.

2. Purchase of Buildings and Property -  
South Campus, 196-200 West Tenth Avenue

It was recommended that the President and/or Vice President for Business and Administration be authorized to proceed with the purchase of:

Lot No. 18, Res. B, University Heights Addition, County Auditor's Parcel No. 8199-Columbus, and more commonly known as 196-200 West 10th Avenue, Columbus, Franklin County, Ohio.

Purchase of this property from South Hall, Inc., Blaine T. Sickles, President, for the sum of \$110,000.00 is to be made from General University Funds (Endowment) with title to be vested in the name of the Board of Trustees of The Ohio State University.

Upon motion of Mr. Gushman, seconded by Mrs. James, the above recommendation was approved by unanimous roll call vote.

3. Lease - Land at Wayne County Fairgrounds for  
the Agricultural Technical Institute

The College of Agriculture and Home Economics has requested to lease approximately .38 acres of land from the Wayne County Agriculture Society, on the Wayne County Fairgrounds, to construct an Equine

IV. BUSINESS AND ADMINISTRATION (continued)

C. Other (continued)

3. Lease - Land at Wayne County Fairgrounds for the Agricultural Technical Institute (continued)

Training Center in support of the program being provided by the Agricultural Technical Institute. The cost of the lease will be one dollar for the term of the lease.

It was recommended that the President and/or Vice President for Business and Administration be authorized to request the Director of Administrative Services pursuant to his statutory duties to act on behalf of the University in developing the necessary legal instruments to provide for the leasing of land at the Wayne County Fairgrounds.

Upon motion of Mr. Harrod, seconded by Mr. Devenow, the Board of Trustees approved the foregoing recommendation by a roll call vote with seven affirmative votes cast and Dr. Sirak abstaining.

4. Report of Controlling Board Actions Pertaining to The Ohio State University

- 9 Approves the release of \$104,026.00 from H. B. 985, Item 315-074 (Utilities and Renovation), to award the contract to William A. Gould and Associates to perform a field audit to study the physical and functional quality of the selected buildings on The Ohio State University Campus.
- 11 Approves the release of \$31,500.00 from H. B. 985, Item 315-074 (Utilities and Renovation), to award the General, Mechanical, and Electrical Contracts for the project known as "Campbell Hall--Office Improvements."

\*

\*

\*

V. REPORTS

A. Report on Enrollment

Dr. Enarson reported on Autumn Quarter enrollment for The Ohio State University in which a comparison was made with the Autumn Quarter 1973 and the estimates for the Autumn of 1974.

B. Report of Nobel Prize Recipient

President Enarson announced that Dr. Paul John Flory, M.S. '31, Ph.D. '34, D.Sc. (Hon) '70, a distinguished graduate of The Ohio State University, recently was awarded the 1974 Nobel Prize for Chemistry.

V. REPORTS (continued)

C. Report on the Olentangy Expressway

President Enarson made the following statement and recommendation:

The Ohio State University has viewed with growing concern the continuing impasse over the completion of the north leg of the Olentangy Expressway. Each day of delay adds to the traffic congestion endured by faculty, staff, students, and visitors trying to reach the main campus from the north on Olentangy River Road. Even worse, each day adds to the final cost of construction and the taxpayer burden, since construction costs continue to escalate.

The Ohio State University is not a direct party to this complex and long-standing controversy. None of the proposed alternative routes touch nearby University land. But as a state university and, we trust, a good and cooperative neighbor, we feel an obligation to cooperate with city and state agencies in the search for solutions to problems that burden us all.

Recently I met with Mayor Tom Moody of Columbus, Mr. Philip Richley, the State Director of Transportation, and Mr. Richard Jackson, Service Director of Columbus, at which time Mr. Richley described a number of possible alternative solutions, one of which essentially involved a trade of cemetery land for a parcel of University land lying north of Dodridge and west of Olentangy River.

It is not my purpose to speak to the merits of the positions taken by contending parties, nor do I pretend to know which alternative route is best, all things considered. However, if one of the alternatives being considered by the Department of Transportation is to be a realistic option, it would require a willingness on the part of the University to sell the Dodridge parcel.

Accordingly, I am recommending to the Board of Trustees that we state publicly our willingness to enter into negotiations for the exchange of the Dodridge parcel if the parties to the controversy conclude that such negotiations might possibly provide a constructive solution to a very serious problem faced by Columbus, the State of Ohio, and all of us as taxpayers. May I ask your support for the following recommendation:

The Board of Trustees strongly urges that, in the public interest, initiatives be taken by the appropriate parties to explore all possible alternatives

V. REPORTS (continued)

C. Report on the Olentangy Expressway (continued)

President Enarson's statement and recommendation (continued)

on the Olentangy Expressway project and, to this end, the Board expresses its willingness to negotiate for the transfer of the Dodridge parcel if by such action the current impasse can be resolved and construction promptly started. We would expect, of course, that an appropriate benefit would accrue to the University's capital program.

The following comments were made:

Mr. Harrod:

What you're really saying is that we're an innocent bystander, is that right?

President Enarson:

Yes, and there's no other way to put it. But, if it's within our initiative to help break the impasse, then we should try to do so. I have no reason, however, to believe that by this action that the impasse will or will not be broken.

Mr. Gushman:

I would like to comment before we vote on this resolution. I heartily endorse your attitude, and there is a real need here, but I feel compelled to point out that land is a precious commodity, particularly when it is contiguous to, or in the area of, your main operation. There is no better example than that we have bought more land by Board action today, because we just don't have enough. I am also mindful of the fact that the University founders and our predecessors were exceedingly wise in laying out this University. We're very fortunate to have the land that we do have and, therefore, I think we should surrender any land that we have grudgingly, and certainly at a minimum. We must have an adequate quid pro quo to support future capital programs of this University. I am still heartily in favor of your proposal, Mr. President, but I feel that all parties involved should clearly understand our position on this matter.

November 1, 1974 meeting, Board of Trustees

V. REPORTS (continued)

C. Report on the Olentangy Expressway (continued)

Comments (continued)

Mr. Dunlap:

Will this have to go before the Legislature?

President Enarson:

Yes, under Ohio law, no land can be disposed of without an act of the General Assembly. I would certainly hope that the General Assembly would understand the necessity of making us whole through the reassignment of the funds involved in any such transaction for the support of any one of a number of major capital outlay projects which we urgently need.

Mr. Kessler:

As I understand, President Enarson, we have no idea whether we are just being a good citizen in Columbus and know that this is a major problem, and this may be a solution and it may not be.

President Enarson:

This is right. I have no idea whether this will help break the impasse or not. All I know is that there has been, for several years, an intolerable impasse.

Dr. Sirak:

The delay itself has cost a considerable sum of money.

President Enarson:

This is the key point. This delay has been very costly, both to the State and to the potential users.

Mr. Safford:

This would have to come before the January session of the Legislature, wouldn't it--unless the Governor makes a special call.

President Enarson:

That's right. There has to be a break in the discussions on this. Maybe this will help.

Upon motion of Mr. Harrod, seconded by Mr. Kessler, the Board of Trustees approved the foregoing recommendation by unanimous roll call vote.

November 1, 1974 meeting, Board of Trustees

V. REPORTS (continued)

D. Report on the University's Investment Portfolio

The report dated October 31, 1974, as submitted to the Finance Committee of the Board of Trustees by Mr. Ernest W. Leggett pertaining to the University's Investment Portfolio, was received and ordered to be filed with the official records of the Board of Trustees.

\*

\*

\*

Thereupon the Board adjourned to meet Friday, December 6, 1974, at The Ohio State University Fawcett Center for Tomorrow, Columbus, Ohio, at 1:30 p.m.

Attest:

\_\_\_\_\_  
Edward Q. Moulton  
Secretary

\_\_\_\_\_  
William C. Safford  
Chairman



THE OHIO STATE UNIVERSITY  
OFFICIAL PROCEEDINGS OF THE  
ONE THOUSAND ONE HUNDRED AND THIRD MEETING  
OF THE BOARD OF TRUSTEES

Columbus, Ohio, January 10, 1975

The Board of Trustees met at its regular monthly meeting on Friday, January 10, 1975, at The Ohio State University Fawcett Center for Tomorrow, Columbus, Ohio, pursuant to adjournment.

Present: William C. Safford, Chairman, Don M. Hilliker, John H. Dunlap, John L. Gushman, Howard D. Sirak, Patricia D. James, and Chester Devenow.

\* \* \*

Minutes of the last meeting were approved.

\* \* \*

January 10, 1975 meeting, Board of Trustees

Mr. Safford read the following letter which he received from Mr. Warren J Smith whose appointment to this Board of Trustees was announced by Governor John J. Gilligan on January 6, 1975.

C  
O  
P  
Y

January 8, 1975

William C. Safford, Chairman  
Board of Trustees  
Ohio State University  
190 North Oval Drive  
Columbus, Ohio 43210

Dear Chairman Safford:

I learned only a few days ago of my appointment to the Board of Trustees of Ohio State University, and subsequently only yesterday that a Board meeting had been set for Friday, January 10, 1975. My entire week's schedule at that point of time was completely planned with commitments which I cannot break.

I plan to attend the February meeting and thereafter will reserve the first Friday of the month for meetings of the Board.

Apologizing to the Board for my absence at the January 10th meeting, I am

Sincerely,

(Signed)

WARREN J SMITH  
Secretary-Treasurer

WJS:bjs  
opeiu 333

- o -

#### RESOLUTIONS IN MEMORIAM

President Enarson reported to the Board the deaths of Florence Babb Allen, Instructor Emeritus in the Department of English; Raymond D. Bennett, Associate Professor Emeritus in the College of Education; Jonathan A. Forman, Professor Emeritus in the Department of Medicine; Frederick E. Jones, former member of the Board of Trustees; and Samuel Saslaw, Professor in the Department of Medicine. In accordance with the instructions of the Board of Trustees, copies of the following resolutions expressing on behalf of the University the sorrow and sympathy of the Board will be furnished the families of the deceased.

RESOLUTIONS IN MEMORIAM (continued)

A. Florence Babb Allen

The Board of Trustees of The Ohio State University expresses its sorrow at the death on October 15, 1974, of Florence B. Allen, Instructor Emeritus in the Department of English.

Mrs. Allen was born in Wayne County, Ohio, in 1905. She received her undergraduate education at Kent State University, graduating in 1926, and earned a master's degree in history from Columbia University in 1931. She did further graduate work at the University of Geneva, Switzerland, and the University of Michigan. She taught history and English at Central, Jennings, North and Ellet High Schools in Akron. She was an English Instructor at Kent State University from 1953 to 1955, and later became an Instructor of English at The Ohio State University - Mansfield, from 1957 until her retirement in 1970 as Instructor Emeritus.

Mrs. Allen was a popular teacher with the many students who took her courses and was noted for creating and supporting the Florence Allen Poetry Contest, an annual event devoted to the encouragement of student poetic endeavors at the Mansfield Regional Campus. She was greatly respected and will be sorely missed by her academic colleagues.

On behalf of the University, the Board of Trustees expresses to the family its deep sympathy and sense of understanding in its loss. It was directed that this resolution be inscribed upon the minutes of the Board of Trustees and that a copy be tendered to the family as a humble expression of the Board's heartfelt sympathy in its bereavement.

B. Raymond D. Bennett

The Board of Trustees of The Ohio State University expresses its sorrow at the death on October 21, 1974, of Raymond D. Bennett, Associate Professor Emeritus in the College of Education.

Dr. Raymond D. Bennett was born in Westerville, Ohio, on August 19, 1885. He received the A. B. degree from Otterbein College and in 1916 was granted the M. A. degree from Teachers College, Columbia, New York. The Ph. D. degree was conferred by The Ohio State University in 1932.

Dr. Bennett served as Principal of Westerville and Athens High Schools before joining the staff at The Ohio State University. He was first employed in the College of Education as Supervisor of Student Teaching in 1922, and became Secretary of the College in 1925. Dr. Bennett served in this capacity until 1956 when he retired. His administration was characterized by an unselfish devotion to duty and a deep concern about the needs of students.

Dr. Bennett coordinated student advisory programs for the College of Education and was best known for his interest in and concern for students. His pioneering work in the development of student counseling led to the establishment of orientation courses for new and transfer students. He was a member of Kappa Phi Kappa and Phi Delta Kappa, professional education fraternities.

RESOLUTIONS IN MEMORIAM (continued)

B. Raymond D. Bennett (continued)

On behalf of the University, the Board of Trustees expresses to the family its deep sympathy and sense of understanding in its loss. It was directed that this resolution be inscribed upon the minutes of the Board of Trustees and that a copy be tendered to the family as a humble expression of the Board's heartfelt sympathy in its bereavement.

C. Jonathan A. Forman

The Board of Trustees of The Ohio State University expresses its sorrow at the death on October 10, 1974, of Jonathan A. Forman, Professor Emeritus in the Department of Medicine.

Jonathan Forman's life spanned 87 years and included many accomplishments in a variety of diverse disciplines. He was an Ohioan, born in a small rural community, brought up on a farm, and he worked his way through college, entering The Ohio State University in 1906, and Starling Ohio Medical College in 1910. While still a student, Dr. Forman pursued the first of many disciplines he was to encompass in his lifetime. He was a Student Demonstrator in Anatomy, later an Assistant Professor in Pathology, and then a Teaching Fellow in Physiology at Harvard.

In 1920 Jonathan Forman returned to Columbus to organize a private clinic with Professors of Medicine, Surgery, Eye, Ear, Nose and Throat, and Genito-Urinary Surgery. The clinic dissolved and Dr. Forman continued in practice with then Professor of Medicine, E. J. Gordon. In 1924 he accepted the general administrative responsibility of the Grant Hospital Clinical Laboratories.

During these years Dr. Forman maintained a warm friendship with a Phi Rho Sigma Medical Fraternity brother, Dr. Warren Vaughn, at the University of Michigan. Dr. Vaughn, a pioneer allergist, convinced Jonathan Forman he should enter the field of allergy which he did, making a significant impact in that field during the next forty years. Dr. Forman was an early member and officer in all the major 'Allergy' societies in the ensuing years. His interest in this specialty led to further studies in other disciplines such as nutrition, ecology, agriculture, national health, and the history of medicine.

This institution will be forever indebted to his industry as author and editor in the field of local medical history. He published a volume in 1934 concerning the first hundred years of the Medical School. Later he contributed over sixty papers dealing with Ohio's Medical History and became Editor of the Ohio State Medical Journal. In his lifetime, Jonathan Forman was editor of six different journals and on the editorial board of five journals. Many societies enjoyed his membership including those with special emphasis on causes in which he believed.

RESOLUTIONS IN MEMORIAM (continued)

C. Jonathan A. Forman (continued)

Dr. Forman was a man of integrity, wisdom, and wit. He shared his beliefs with others and was tolerant of those who did not share his convictions. He appropriately enjoyed the respect of all those whose lives he touched. Time will not dim his name, nor his accomplishments.

On behalf of the University, the Board of Trustees expresses to the family its deep sympathy and sense of understanding in its loss. It was directed that this resolution be inscribed upon the minutes of the Board of Trustees and that a copy be tendered to the family as a humble expression of the Board's heartfelt sympathy in its bereavement.

D. Frederick E. Jones

The Board of Trustees of The Ohio State University expresses its sorrow at the death on December 8, 1974, of Frederick E. Jones, a former member of the Board.

Mr. Jones was appointed a Trustee in 1963 and served until 1970. He brought to this assignment long experience in business and industry as well as a deep interest in civic affairs, notably the work of youth organizations. This background, along with the qualities of energy and leadership, made his contributions as a Trustee particularly effective. He served as a member and chairman of the Board's Finance and Investment Committee and as a Trustee member of The Ohio State University Development Fund Board of Directors.

Mr. Jones contributed not only as a Trustee but also as a friend and a benefactor of the University. After his service on the Board, he continued his interest in Ohio State as a charter member of the Presidents Club, which he had joined upon its organization in 1963.

On behalf of the University, the Board of Trustees expresses to the family its deep sympathy and sense of understanding in its loss. It was directed that this resolution be inscribed upon the minutes of the Board of Trustees and that a copy be tendered to the family as an expression of the Board's heartfelt sympathy.

E. Samuel Saslaw

The Board of Trustees of The Ohio State University expresses its sorrow at the death on August 22, 1974, of Samuel Saslaw, Professor in the Department of Medicine.

Samuel Saslaw was born April 26, 1915. He gave to The Ohio State University a love of institution and a heritage of excellence in medical teaching, research, patient care, and administrative service not soon to be equaled. Although born in another city and educated in the early college years in another state, Columbus and this University along with his family became and remained the central

RESOLUTIONS IN MEMORIAM (continued)

E. Samuel Saslaw (continued)

interests in his life. He was recognized early in his career by farsighted leadership at this College of Medicine as one of the new breed at that time with the special talents of Ph. D. training in the basic science area related to his subspecialty interest as a physician. Thus, he was ideally suited to direct the new Division of Infectious Diseases which he did with distinction for 19 years. His academic achievements during that period were remarkable, rising to Professor of Medicine in eight years. Honors and awards at this University accumulated quickly, including several which he was quietly but fiercely proud to have earned: Man of the Year, College of Medicine, 1956; Alumni Award for Distinguished Teaching, 1963; and Alumni Achievement Award, College of Medicine, 1966. An Honorary Doctor of Science degree was bestowed by Transylvania College in 1966 as further recognition of his achievements as a scientist and alumnus of that school.

Meaningful publications of his research appeared in rapid succession; at the time of appointment as a young Assistant Professor in 1950 his bibliography already totaled 31 publications and increased to 66 at the time he became a full Professor in 1958, to be followed by 115 additional papers as a Professor or one every 44 days for 15 years. The University was enriched by the co-authorship involved in so many manuscripts; 35 Ohio State University faculty shared his publications including 15 faculty currently in the College of Medicine; 19 Ohio State University graduate students or trainees, 7 technicians and 17 faculty from other institutions likewise shared the pen. Part of the reward for many was learning the art of scientific writing from a demanding teacher.

Those who admired Samuel Saslaw the most were those fortunate enough to touch his life closely and see through the complexity of his personality. Like many notable people, he could be irascible but no one could be unhappy with him for long. He had a compulsive approach to detail in teaching and patient care and was his own utilization review committee long before the term was created.

On behalf of the University, the Board of Trustees expresses to his family its deepest sympathy and sense of understanding in its loss. It was directed that this resolution be inscribed upon the minutes of the Board of Trustees and that a copy be tendered to the family as a humble expression of the Board's heartfelt sympathy in its bereavement.

\*

\*

\*

President Enarson presented the following recommendations:

I. GENERAL RECOMMENDATIONS

A. Establishment of a Department of Family Medicine

Upon approval of the Council on Academic Affairs, the University Senate at the meeting held November 12, 1974, recommended the establishment of the Department of Family Medicine within the College of Medicine.

I. GENERAL RECOMMENDATIONS (continued)

A. Establishment of a Department of Family Medicine (continued)

The American Board of Family Practice was created by the American Medical Association, Council of Education, in 1969. Family Practice became the twentieth specialty in American Medicine, and, as such, was recognized to have a distinct body of knowledge. Scholarly activity has been pursued to the ends of defining and refining the specifics of that body of knowledge.

While the College of Medicine has had a rapidly growing commitment to Family Medicine for a number of years, which presently involves over 100 family physicians within the community, it is now being requested that a Department be established.

President Enarson recommended that the Department of Family Medicine in the College of Medicine be approved, effective immediately upon approval of the Board of Trustees.

Upon motion of Mr. Dunlap, seconded by Mr. Hilliker, the Board of Trustees approved the foregoing recommendation by unanimous roll call vote.

B. Establishment of Academic Faculty of Labor and Human Resources

The Council on Academic Affairs recommended to the University Senate that an Academic Faculty of Labor and Human Resources be established in the College of Administrative Science. The University Senate approved this recommendation November 12, 1974.

On July 13, 1973, a University Task Force reported to the Provost that there was interest and need for a program in labor and human resources for the purpose of coordinating and bringing into focus existing programs in this area. Along with the preparation of graduate and undergraduate students in the area of labor, it is proposed that this program provide relevant instruction for students in education, social work, health administration, public administration, history, preventive medicine, as well as other academic areas.

President Enarson recommended that the Board of Trustees approve the establishment of the Academic Faculty of Labor and Human Resources in the College of Administrative Science, effective immediately.

Upon motion of Mr. Dunlap, seconded by Mr. Devenow, the Board of Trustees approved the foregoing recommendation by unanimous roll call vote.

I. GENERAL RECOMMENDATIONS (continued)

C. Establishment of an Undergraduate Degree Program  
Leading to a Bachelor of Science in Surveying Degree

The University Senate on December 3, 1974, approved a recommendation from the Council on Academic Affairs that the University establish an undergraduate degree program leading to the Bachelor of Science in Surveying degree.

Surveying and related topics have long had a fragmented location in this University, principally in the Departments of Civil Engineering and Geodetic Science. A program has now been proposed jointly by the Departments of Civil Engineering and Geodetic Science which will be responsive to the present and future professional needs based upon a combined curriculum and course work as well as faculty. This program will lead to a Bachelor of Science in Surveying degree offered by the College of Engineering and administered through the Civil Engineering Department with cooperation of the Geodetic Science Department.

President Enarson recommended that the proposal of the University Senate be adopted, and pursuant to Section 3333.04 of the Revised Code of Ohio, with the approval of the Board of Trustees, the proposal be forwarded to the Ohio Board of Regents for approval. This program would become operative upon approval by the Ohio Board of Regents.

Upon motion of Mr. Gushman, seconded by Mr. Devenow, the Board of Trustees approved the foregoing recommendation by unanimous roll call vote.

D. Establishment of New Rules 29.2735 and 31.0704,  
Revision of Rules 29.2709, 31.05, 31.0701, 31.0703, and  
Withdrawal of Rule 31.03 of Rules for the University Faculty

The University Senate at the meeting on October 15 and at a subsequent meeting on December 3, 1974, approved the recommendation from the Council on Academic Affairs that new Rules 29.2735 and 31.0704 be created, that Rules 29.2709, 31.05, 31.0701, and 31.0703 be revised, and that Rule 31.03 be withdrawn from the Rules for the University Faculty.

Briefly the proposed changes are summarized as follows:

- 29.2735 creates a University Calendar Committee of the University Senate which shall prepare and review the University calendar and act in an advisory capacity to the Council of Deans.
- 31.0704 combines sections of two existing Rules into one Rule relating to the Physical Education requirement for all students.



I. GENERAL RECOMMENDATIONS (continued)

D. Establishment of New Rules 29.2735 and 31.0704,  
Revision of Rules 29.2709, 31.05, 31.0701, 31.0703, and  
Withdrawal of Rule 31.03 of Rules for the University Faculty (continued)

--29.2709 provides that two rather than all of the six elected faculty members on the Council on Student Affairs shall be members of the University Senate.

--31.05 modifies the course numbering system for the University, effective with the Spring Quarter 1975.

--31.0701 changes the responsibility for the military science requirement (National Defense Option) from the student to the curriculum or program.

--31.0703 clarifies the basic education requirement.

--31.03 has been combined in Rule 31.05.

President Enarson recommended that the proposal from the University Senate for changes in Rules for the University Faculty as outlined above be approved by the Board of Trustees, with the changes to be effective immediately unless otherwise noted. (See pages 250-252 for details of changes.)

Upon motion of Mr. Devenow, seconded by Mr. Hilliker, the Board of Trustees approved the foregoing recommendation by unanimous voice vote.

E. Degrees and Certificates Conferred--Autumn Quarter Commencement

President Enarson requested that this Board ratify the awarding of the degrees and certificates conferred at the Autumn Quarter Commencement Convocation on December 13, 1974, to those students who had completed the requirements for their respective degrees and certificates and were recommended by the University Senate. The names of those awarded degrees and certificates are included in the minutes of this meeting. (See Appendix II, page 287.)

Upon motion of Dr. Sirak, seconded by Mr. Hilliker, the Board of Trustees approved the above recommendation by unanimous voice vote.

\*

\*

\*

II. PERSONNEL ACTIONS

Personnel actions since the November 1, 1974 meeting of the Board, as recorded in the official "Salary Roll" of the University, include the following Appointments, Leaves of Absence Without Salary, and Emeritus Titles:

Rules for the University Faculty

29.2709. Council on Student Affairs.

Section 1.

- b. Six elected faculty members, at least two of whom shall be University Senate members, chosen by the University Senate for three-year terms, two to be chosen each year.

- o -

29.2735. University Calendar Committee.

Section 1. The University Calendar Committee shall be a standing committee of the University Senate and shall be advisory to the Council of Deans. (See Rules 11.1501 - Council of Deans and 39.00 - University Year.)

Section 2. The University Calendar Committee shall consist of thirteen members as follows:

- a. Six members of the University Faculty, at least one of whom must be a Senate member, shall be nominated by the faculty membership of the Senate and shall be subject to confirmation by vote of the Senate. The term of office shall be three years commencing July 1 following confirmation, the terms to be staggered so that two members retire each year. A faculty member completing a full term shall be ineligible for reelection for one intervening year;
- b. Four members shall be students: one graduate student appointed by the President of the Council of Graduate Students with the approval of the Council of Graduate Students; one professional student appointed by the President of the Inter-Professional Council with the approval of the Inter-Professional Council; and two undergraduate students appointed by the President of Undergraduate Student Government with the approval of the Undergraduate Student Government. At least one of the undergraduate students must be a member of University Senate. Each student member shall be appointed for a one-year term and shall be eligible for immediate reappointment;
- c. The Provost or his designee;
- d. A representative of the Council of Deans; and
- e. The Assistant Vice President for Registration Services, or his designee, ex officio.

Section 3. The University Calendar Committee shall be responsible for making recommendations pertaining to:

- a. Preparation and review of the University Calendar;
- b. Study of the comparative advantages and disadvantages of the quarter system and alternative systems; and

Rules for the University Faculty (continued)

29.2735. University Calendar Committee. (continued)

c. Development of improved quarter-end validation procedures.

Section 4. The University Calendar Committee shall report to the University Senate at least once a year. Prior to the end of its third year of existence, the committee shall present to Senate a report covering the role, structure, and functioning of the committee, including any recommendations for change(s).

- o -

31.05. University Classification and Course Numbering System.

Section 1. Courses numbered 000-099 are non-credit courses (except certain seminars and colloquia) for orientation, remedial, or other noncollege-level experiences. These are courses with credit added to graduation requirements.

Section 2. Courses numbered 100-199 are basic courses providing undergraduate credit, but not to be counted on a major or field of specialization in any department. Courses at this level are beginning courses, required or elective courses that may be prerequisite to other courses.

Section 3. Courses numbered 200-299 are basic courses providing undergraduate credit and may be counted on a major or field of specialization.

Section 4. Courses numbered 300-499 are intermediate courses providing undergraduate or basic professional credit that may be counted on a major or field of specialization.

Section 5. Courses numbered 500-599 are intermediate courses providing undergraduate or professional credit that may be counted on a major or field of specialization and may provide graduate credit only in other departments.

Section 6. Courses numbered 600-699 are courses providing undergraduate or professional credit that may be counted on a major or field of specialization, and may provide graduate credit (in all departments).

Section 7. Courses numbered 700-799 are advanced courses providing undergraduate, graduate, or professional credit.

Section 8. Courses numbered 800-999 are courses providing graduate credit and are open to undergraduates only with the consent of the Vice Provost for Research and Dean of the Graduate School.

Section 9. Courses for which graduate credit is anticipated must be taught by a member of the faculty approved by the Graduate Committee of the department offering the course. 800 and 900 level courses must be taught by members of the graduate faculty.

- o -

Rules for the University Faculty (continued)

31.07. University Required Courses (See Rule 49.03).

31.0701. Curricular Requirements.

Every undergraduate curriculum must provide for a minimum of 12 hours of free electives.

- o -

31.0703. Basic Education.

Every undergraduate student must complete 45 hours selected to ensure acquaintance with the three basic areas of academic study: the humanities, the social sciences, and the natural sciences. A minimum of 15 hours is required in each of the three areas.

- o -

31.0704. Physical Education.

Every undergraduate student, unless excused under Rule 31.0705, shall be required to schedule and complete one or more hours of specified Physical Education per quarter for a total of three quarters.

- o -

II. PERSONNEL ACTIONS (continued)

A. Appointments

Edwin M. Crawford, Vice President for Public Affairs, effective March 1, 1975, at a salary of \$39,588.00 per annum.

Pursuant to the foregoing recommendation for a change of title and definition of responsibility for the foregoing position, it is also recommended that the Bylaws of the Board of Trustees and Rules for the University Faculty be amended to reflect the new title and job description.

ARTICLE III  
Administration of the University

Section 10. Vice President for Public Affairs.

The major area of responsibility and authority of the Vice President for Public Affairs shall be the administration of the public affairs of the University. Without limiting the generality of the foregoing, the Vice President for Public Affairs shall, under the direction of the President and with the approval of the Board of Trustees, be responsible and have the requisite authority for: public relations; local, state and federal relations; and coordination of all University efforts relating to public information. Specifically, the Vice President for Public Affairs shall:

- a. Design, manage and coordinate internal and external public relations, including University publications.
- b. Manage a variety of University-wide events, such as receptions, convocations and commencements.
- c. Promote constructive University-community relations.
- d. Coordinate relations with federal, state and private agencies.

- o -

11.1105. Vice President for Public Affairs.\*

Section 1. The Vice President for Public Affairs shall be the executive head of the Office of Public Affairs.

Section 2. The major area of responsibility and authority of the Vice President for Public Affairs shall be the administration of the public affairs of the University. Without limiting the generality of the foregoing, the Vice President for Public Affairs shall, under the direction of the President and

---

\*Rule initiated by Board of Trustees.

January 10, 1975 meeting, Board of Trustees

II. PERSONNEL ACTIONS (continued)

A. Appointments (continued)

11.1105. Vice President for Public Affairs.\* (continued)

with the approval of the Board of Trustees, be responsible and have the requisite authority for: public relations; local, state and federal relations; and coordination of all University efforts relating to public information.

Section 3. Specifically, the Vice President for Public Affairs shall:

- a. Design, manage and coordinate internal and external public relations, including University publications.
- b. Manage a variety of University-wide events, such as receptions, convocations and commencements.
- c. Promote constructive University-community relations.
- d. Coordinate relations with federal, state and private agencies.

Section 4. The principal administrative officials of the Office of Public Affairs may be authorized from time to time.

---

\*Rule initiated by Board of Trustees.

- o -

In addition to the foregoing recommendation, the following Appointments were recommended:

David L. Steffy from Acting Director of Hospital Administration - University Hospitals to Director of Hospital Administration - University Hospitals, effective January 1, 1975, at a salary of \$30,288.00 per annum.

Johanna S. DeStefano from Associate Professor, Academic Faculty of Early and Middle Childhood Education to Associate Director of the University's Affirmative Action Program (part time - 75 per cent), effective January 1, 1975, at a salary of \$17,898.00 per annum. Dr. DeStefano will continue her appointment as Associate Professor on the Academic Faculty of Early and Middle Childhood Education (part time - 25 per cent), at a salary of \$5,910.00 per annum.

II. PERSONNEL ACTIONS (continued)

A. Appointments (continued)

Gordon E. Gatherum from Professor (part time - 50 per cent) in the School of Natural Resources and Professor (part time - 10 per cent) in the Cooperative Extension Service to Acting Associate Dean of the College of Agriculture and Home Economics and Professor and Acting Director (part time - 70 per cent) in the School of Natural Resources and Professor (part time - 10 per cent) in the Cooperative Extension Service, effective January 15, 1975, at a salary of \$24,840.00 per annum. Dr. Gatherum will continue his appointment at the Ohio Agricultural Research and Development Center as a Professor (part time - 20 per cent) in the Department of Forestry.

Robert L. Folk from Associate Professor, Department of Medicine, to Assistant Dean for Ambulatory Programs - College of Medicine, effective January 1, 1975, at a salary of \$30,048.00 per annum. Dr. Folk will continue as Associate Professor in the Department of Medicine at No Salary.

Herbert S. Parnes from Professor, Department of Economics, to Acting Chairman of the Academic Faculty of Labor and Human Resources in the College of Administrative Science (part time - 35 per cent), effective January 1, 1975, at a salary of \$9,534.00 per annum. Dr. Parnes will continue as Professor in the Department of Economics (part time - 65 per cent), at a salary of \$18,078.00 per annum.

C. Ray Williams, Associate Professor and Chairman, Academic Faculty of Early and Middle Childhood Education, effective July 1, 1975, at a salary of \$28,128.00 per annum.

William L. Flinn, Professor, Department of Agricultural Economics and Rural Sociology (part time - 30 per cent) and Cooperative Extension Service (part time - 20 per cent), effective June 1, 1975, at a salary of \$12,420.00 per annum. Dr. Flinn will hold an appointment as Professor in the Department of Agricultural Economics and Rural Sociology (part time - 50 per cent) at the Ohio Agricultural Research and Development Center.

B. Leaves of Absence Without Salary

Robert S. Brodkey, Professor, Department of Chemical Engineering, effective January 1, 1975 through September 30, 1975, to accept the Senior U. S. Scientist Award from the Alexander von Humboldt Foundation of Germany.

January 10, 1975 meeting, Board of Trustees

II. PERSONNEL ACTIONS (continued)

B. Leaves of Absence Without Salary (continued)

Phaedon John Kozyris, Professor, College of Law, effective January 1, 1975 through March 31, 1975, to serve as Visiting Professor at the University of Thessaloniki, Greece.

Timothy E. Gregory, Assistant Professor, Department of History, effective April 1, 1975 through June 30, 1975, to accept the Gennadius Fellowship of the American School of Classical Studies in Athens, Greece.

C. Emeritus Titles

W. C. Fotheringham, Department of Communication, with the title Professor Emeritus, effective January 1, 1975.

Gladys G. Woods, School of Allied Medical Professions, with the title Professor Emeritus, effective January 1, 1975.

Evelyn S. Baker, University Libraries, with the title Assistant Professor Emeritus, effective January 1, 1975.

Charles E. Robinson, Department of Veterinary Preventive Medicine, with the title Assistant Professor Emeritus, effective January 1, 1975.

President Enarson recommended that the Appointments, together with the changes in the Bylaws of the Board of Trustees and Rule 11.1105 of the Rules for the University Faculty changing the title and the job description of the Vice President for Public Affairs, Leaves of Absence Without Salary, Emeritus Titles, and personnel budget actions as recorded in the "Salary Roll" of the University be approved.

Upon motion of Mr. Dunlap, seconded by Dr. Sirak, the Board of Trustees approved the foregoing recommendation by unanimous roll call vote, and the Secretary was instructed to file these changes in the "Salary Roll," an official document of the University.

\*

\*

\*



January 10, 1975 meeting, Board of Trustees

III. REPORT OF RESEARCH CONTRACTS, GRANTS, GIFTS, AND AGREEMENTS

President Enarson recommended that the following contracts and grants negotiated and monies received for months of October and November 1974 be accepted.

Summary for October 1974

	No. of Projects	Support Level
Office of Business and Administration	19	\$1,096,994.00
The Ohio State University Research Foundation	38	1,778,583.00
The Engineering Experiment Station	2	<u>1,800.00</u>
		\$2,877,377.00
	(Donors)	
The Ohio State University Development Fund	3,225	\$ 388,335.79

Summary for November 1974

	No. of Projects	Support Level
Office of Business and Administration	8	\$ 410,516.00
The Ohio State University Research Foundation	28	<u>756,757.50</u>
		\$1,167,273.50
	(Donors)	
The Ohio State University Development Fund	2,353	\$ 507,636.21

A detailed listing of the items in each section is shown on the following pages.

Upon motion of Dr. Sirak, seconded by Mr. Gushman, the research agreements between The Ohio State University and The Ohio State University Research Foundation for the contracts and grants reported herein, and the acceptance of the report from the Office of Business and Administration and The Ohio State University Development Fund, including the establishment of named funds, was approved by unanimous voice vote.

III. REPORT OF RESEARCH CONTRACTS, GRANTS, GIFTS, AND AGREEMENTS  
(continued)

A. Office of Business and Administration

1. Federal Contracts/Grants

- a. \$585,226.00 from U. S. Department of Labor, Office of Administrative Services, Washington, D. C., for a study to demonstrate the feasibility of encouraging voluntary compliance by using a state-wide university extension program to develop, conduct, and evaluate job safety and health training for about 4,000 employees and employee representatives, under the direction of College of Administrative Science, Labor Education and Research Service, for period June 27, 1974 through June 26, 1977. (Contract No. L-74-202)
- b. \$60,000.00 additional funds from Department of Health, Education, and Welfare, Public Health Service, Region V, Bureau of Health Resources Development, 300 South Wacker Drive, Chicago, Illinois, for support of the MEDIHC program, under the direction of College of Medicine, for period October 1, 1974 through September 30, 1975. (Contract No. N01-AH-24026, Modification No. 5)
- c. \$42,200.00 from Department of State, Agency for International Development, Washington, D. C., for support of a research project--Rural Savings Capacities and the Role of Financial Savings in Cooperatives in Korea, under the direction of Department of Agricultural Economics and Rural Sociology, for period November 1, 1974 through October 31, 1975. (Grant No. AID/ea-G-1058 [Korea])
- d. \$19,050.00 from National Science Foundation, Washington, D. C., for expenses of an Ohio State University staff member assigned to the National Science Foundation under the Intergovernmental Personnel Act of 1970, under the direction of University College, for period September 23, 1974 through September 22, 1975. (NSF-IG-00099)
- e. \$8,856.00 from Department of Health, Education, and Welfare, Public Health Service, Bethesda, Maryland, for Renal Disease - Training Grant, under the direction of Department of Medicine, for period September 1, 1974 through June 30, 1975. (Grant No. 3 T01 HL05975-02S2)
- f. \$3,000.00 from Department of Health, Education, and Welfare, Public Health Service, National Heart and Lung Institute, Bethesda, Maryland, for a Public Health Service Research Fellowship, under the direction of Department of Chemistry, for period September 1, 1974 through August 31, 1975. (Fellowship No. 1 F22 HL03232-01)
- g. \$3,000.00 from Department of Health, Education, and Welfare, Public Health Service, National Cancer Institute, Bethesda, Maryland, for a Public Health Service Research Fellowship, under the direction of Department of Veterinary Pathobiology, for period September 16, 1974 through September 15, 1975. (Fellowship No. 1 F22 CA00549-01)

III. REPORT OF RESEARCH CONTRACTS, GRANTS, GIFTS, AND AGREEMENTS  
(continued)

A. Office of Business and Administration (continued)

1. Federal Contracts/Grants (continued)

- h. \$450.00 from U. S. Department of Labor, Bureau of International Labor Affairs, Washington, D. C., for expenses of an International Labor Affairs Fellow from Fiji to study techniques of occupational testing, under the direction of Center for Vocational and Technical Education, for period October 7, 1974 through November 22, 1974.
- i. \$150.00 additional funds from U. S. Department of the Interior, Fish and Wildlife Service, Washington, D. C., for preparation of a report detailing types, distribution, and hazards to wildlife from radioactive isotopes released into the environment by nuclear power plants, under the direction of Department of Zoology, for period April 1, 1974 through January 31, 1975. (Contract No. 14-16-0008-1137, Amendment No. 1)

TOTAL - Federal Contracts/Grants \$721,932.00

2. State of Ohio Contracts/Grants

- a. \$75,000.00 from State of Ohio, Department of Mental Health and Mental Retardation, Division of Mental Retardation and Developmental Disabilities, Office of Developmental Disabilities, Columbus, Ohio, for Developmental Disabilities Legal Training and Technical Assistance System, Item II - Objectives, under the direction of College of Law, for period October 1, 1974 through June 30, 1975.
- b. \$70,000.00 from State of Ohio, Board of Regents, Columbus, Ohio, for contracts between State-assisted institutions and approved private institutions of higher education for the latter to provide courses of study, including graduate programs, not otherwise available to students at State-assisted institutions, under the direction of Graduate School, for period November 5, 1974 through June 30, 1975.
- c. \$60,600.00 from State of Ohio, Department of Health, Columbus, Ohio, for support of the WIC program, under the direction of The Ohio State University Hospitals (Nutrition Service), for period July 1, 1974 through June 30, 1975.
- d. \$43,932.00 from State of Ohio, Department of Health, Columbus, Ohio, for Community Health Development Programs, under the direction of Department of Preventive Medicine, for period October 1, 1974 through September 30, 1975.

III. REPORT OF RESEARCH CONTRACTS, GRANTS, GIFTS, AND AGREEMENTS  
(continued)

A. Office of Business and Administration (continued)

2. State of Ohio Contracts/Grants (continued)

- e. \$37,776.00 from State of Ohio, Department of Education, Columbus, Ohio, for preparation of instructional packets on decision-making geared to the intermediate grades, under the direction of Mershon Center for Education in National Security, for period October 1, 1974 through June 30, 1975.
- f. \$30,000.00 from State of Ohio, Department of Education, Drug/Health Education Unit, Columbus, Ohio, for professional expertise and consultative services in the development and implementation of drug education curricular materials from grades K-12, under the direction of School of Health, Physical Education, and Recreation, for academic year 1974-1975.

TOTAL - State of Ohio Contracts/Grants \$317,308.00

3. Industrial and Other Contracts/Grants

- a. \$45,330.00 from Education Task Force Through New Detroit, Inc., Detroit, Michigan, for support of the work of the Education Task Force, under the direction of Academic Faculty of Educational Administration, for period October 1, 1974 through June 30, 1975.
- b. \$5,000.00 from World Health Organization, Geneva, Switzerland, for support of WHO Collaborating Centre on Biological Control of Vectors of Human Disease, under the direction of Department of Entomology, for year 1974.
- c. \$4,935.00 from Montgomery County Public Schools, Office of the Superintendent of Schools, Rockville, Maryland, for development of a cost model for elementary school operation, under the direction of Academic Faculty of Educational Administration, to be completed by October 15, 1974.
- d. \$2,489.00 from State of Rhode Island and Providence Plantations, Department of Administration, Providence, Rhode Island, for developing and conducting Federal project monitoring in-service workshops for approximately 30 staff members, under the direction of Center for Vocational and Technical Education, for period October 11, 1974 through October 25, 1974. (Purchase Order No. 39302)

TOTAL - Industrial and Other Contracts/Grants \$57,754.00

III. REPORT OF RESEARCH CONTRACTS, GRANTS, GIFTS, AND AGREEMENTS  
(continued)

B. The Ohio State University Research Foundation

1. Federal Research Contracts/Grants

- a. \$278,218.00 from Department of Health, Education, and Welfare, Public Health Service, National Institutes of Health, Division of Research Resources, Bethesda, Maryland, for General Clinical Research Center--10 Beds, under the direction of Department of Medicine, for period October 1, 1974 through September 30, 1975. (Project 1196-2P - Ext. #14)
- b. \$219,730.00 from Department of Health, Education, and Welfare, Public Health Service, National Institutes of Health, Division of Research Resources, Bethesda, Maryland, for General Clinical Research Center--10 Beds, under the direction of Department of Medicine, for period October 1, 1974 through September 30, 1975. (Project 1196-3P - Ext. #13)
- c. \$140,192.00 from Department of Health, Education, and Welfare, Public Health Service, Health Resources Administration, Bureau of Health Resources Development, Bethesda, Maryland, for Predictors of Successful Nursing Performance, under the direction of College of Medicine, School of Nursing, for period June 30, 1974 through August 31, 1976. (Project 3970-A1 - New)
- d. \$59,996.00 from Department of the Navy, Naval Systems Command, Washington, D. C., for Adaptive Arrays in Multiple Access Communications Systems, under the direction of Department of Electrical Engineering, ElectroScience Laboratory, for period December 1, 1974 through November 30, 1975. (Project 4063-A1 - New)
- e. \$54,903.00 from Department of Labor, Manpower Administration, Washington, D. C., for The Transition to CETA in Ohio: An Analysis of Implementation, under the direction of Department of Political Science, for period September 15, 1974 through September 14, 1975. (Project 4055-A1 - New)
- f. \$50,083.00 from Department of Health, Education, and Welfare, Public Health Service, National Institutes of Health, National Cancer Institute, Bethesda, Maryland, for Iodoacetate--Immunotherapy of Lymphoid Leukemia, under the direction of Department of Microbiology, for period September 1, 1974 through August 31, 1975. (Project 3538-A3 - Ext. #2)
- g. \$44,600.00 from National Science Foundation, Washington, D. C., for Synthesis and Rearrangement Reactions of Novel Alicyclic Hydrocarbons, under the direction of Department of Chemistry, for period September 1, 1972 through August 31, 1975. (Project 3526-A1 - Ltr. Dtd. 10/17/74)

III. REPORT OF RESEARCH CONTRACTS, GRANTS, GIFTS, AND AGREEMENTS  
(continued)

B. The Ohio State University Research Foundation (continued)

1. Federal Research Contracts/Grants (continued)

- h. \$43,900.00 from National Science Foundation, Washington, D. C., for Spectroelectrochemistry and Related Electron Transfer Studies, under the direction of Department of Chemistry, for period October 1, 1973 through September 30, 1975. (Project 3817-A1 - Ltr. Dtd. 9/23/74)
- i. \$35,181.00 from Department of Health, Education, and Welfare, Public Health Service, National Institutes of Health, National Cancer Institute, Bethesda, Maryland, for Brain Tumor Chemotherapy Study, under the direction of Department of Surgery, for period September 1, 1969 through August 31, 1975. (Project 2484 - Mod. #12)
- j. \$35,000.00 from National Aeronautics and Space Administration, Langley Research Center, Hampton, Virginia, for Microwave Landing System Airborne Antenna Research, under the direction of Department of Electrical Engineering, ElectroScience Laboratory, for period September 1, 1969 through November 14, 1975. (Project 2902 - Sup. #7)
- k. \$33,985.00 from Department of Health, Education, and Welfare, Public Health Service, National Institutes of Health, National Cancer Institute, Bethesda, Maryland, for Aberrant Gene Expression During Chemotherapy, under the direction of Department of Physiological Chemistry, for period October 1, 1974 through September 30, 1975. (Project 3546-A3 - Ext. #2)
- l. \$31,905.00 from Department of Health, Education, and Welfare, Public Health Service, National Institutes of Health, National Institute of General Medical Sciences, Bethesda, Maryland, for Monolayers and the Properties of Membrane Lipids, under the direction of Department of Physiological Chemistry, for period October 1, 1974 through September 30, 1975. (Project 4057-A1 - New)
- m. \$29,500.00 from National Science Foundation, Washington, D. C., for Collaborative Research on Economic Models of Arms Races, under the direction of Department of Economics, for period November 1, 1972 through September 30, 1976. (Project 3591-A1 - Ltr. Dtd. 9/17/74)
- n. \$27,346.00 from Department of Health, Education, and Welfare, Public Health Service, National Institutes of Health, National Heart and Lung Institute, Bethesda, Maryland, for Physiology and Histopathology of Arterialized Vein Graft, under the direction of Department of Surgery, for period September 1, 1974 through August 31, 1975. (Project 4036-A1 - New)

III. REPORT OF RESEARCH CONTRACTS, GRANTS, GIFTS, AND AGREEMENTS  
(continued)

B. The Ohio State University Research Foundation (continued)

1. Federal Research Contracts/Grants (continued)

- o. \$26,935.00 from Department of Health, Education, and Welfare, Public Health Service, National Institutes of Health, National Heart and Lung Institute, Bethesda, Maryland, for Wall Shear Stresses in Coronary Vessels, under the direction of Department of Aeronautical and Astronautical Engineering, for period October 1, 1974 through September 30, 1975. (Project 3797-B2 - Ext. #1)
- p. \$25,000.00 from National Aeronautics and Space Administration, Ames Research Center, Moffett Field, California, for Ultra-structures of Rats Reared Under Hypergravity Compared with Those Reared Under Normal Gravity, under the direction of Department of Otolaryngology, for period September 1, 1973 through October 31, 1975. (Project 3799-A1 - Sup. #1)
- q. \$24,694.00 from Department of Health, Education, and Welfare, Public Health Service, National Institutes of Health, National Heart and Lung Institute, Bethesda, Maryland, for Physiology and Histopathology of Arterialized Vein Graft, under the direction of Department of Surgery, for period September 1, 1974 through August 31, 1975. (Project 4036-B1 - New)
- r. \$22,100.00 from National Science Foundation, Washington, D. C., for Homogeneous Catalysis by Thodium (I) and Buthenium (II) Complexes of Chelating Triphosphines, under the direction of Department of Chemistry, for period October 1, 1974 through September 30, 1975. (Project 4053-A1 - New)
- s. \$20,330.00 from U. S. Atomic Energy Commission, Argonne, Illinois, for Cycling of C1-36 Labeled DDT in Natural Systems, under the direction of Department of Zoology, for period September 1, 1974 through August 31, 1975. (Project 1794-H - Mod. #7-2)
- t. \$19,185.00 additional funds from Department of the Air Force, Electronic Systems Division, Air Force Systems Command, Bedford, Massachusetts, for Studying the External Gravity Potential of the Earth, Gravimetric Quantities and Geodetic Parameters Affected by Gravity, under the direction of Department of Geodetic Science. (Project 3368-A1 - Ltr. Dtd. 8/27/74)
- u. \$16,800.00 from Civil Service Commission, Washington, D. C., for Civil Service Commission Government Contract Law Course, under the direction of College of Administrative Science, Division of Continuing Education, for period October 28, 1974 through October 31, 1975. (Project 4033-B1 - New)

III. REPORT OF RESEARCH CONTRACTS, GRANTS, GIFTS, AND AGREEMENTS  
(continued)

B. The Ohio State University Research Foundation (continued)

1. Federal Research Contracts/Grants (continued)

- v. \$15,815.00 additional funds from Department of the Air Force, Electronic Systems Division, Air Force Systems Command, Bedford, Massachusetts, for Studying the External Gravity Potential of the Earth, Gravimetric Quantities and Geodetic Parameters Affected by Gravity, under the direction of Department of Geodetic Science. (Project 3368-B1 - Ltr. Dtd. 8/27/74)
- w. \$15,600.00 from National Science Foundation, Washington, D. C., for Optimum Design of Beams with a Buckling Constraint, under the direction of Department of Engineering Mechanics, for period October 15, 1974 through October 14, 1975. (Project 4062-A1 - New)
- x. \$15,428.00 from Department of Health, Education, and Welfare, Public Health Service, National Institutes of Health, National Heart and Lung Institute, Bethesda, Maryland, for Wall Shear Stresses in Coronary Vessels, under the direction of Department of Veterinary Physiology and Pharmacology, for period October 1, 1974 through September 30, 1975. (Project 3797-A2 - Ext. #1)
- y. \$15,200.00 from National Science Foundation, Washington, D. C., for Science Coordination of the West Antarctic Ice Stream Project, under the direction of Institute of Polar Studies, for period September 1, 1974 through August 31, 1975. (Project 4060-A1 - New)
- z. \$14,400.00 from National Science Foundation, Washington, D. C., for Isotopic and Geochemical Studies in the Transantarctic Mountains, under the direction of Institute of Polar Studies, for period November 15, 1973 through September 30, 1975. (Project 3846-A1 - Ltr. Dtd. 9/17/74)
- aa. \$14,400.00 from National Science Foundation, Washington, D. C., for Simple Groups of 2-Rank at Most 4, under the direction of Department of Mathematics, for period September 1, 1974 through August 31, 1975. (Project 4058-A1 - New)
- bb. \$9,500.00 from Department of the Navy, Naval Underwater Systems Center, Newport, Rhode Island, for Theoretical GTD Analysis of Slot Antennas Arrayed on a Cylindrical Surface, under the direction of Department of Electrical Engineering, ElectroScience Laboratory, for period September 1, 1974 through December 31, 1974. (Project 3735-B1 - Ext. #1)



III. REPORT OF RESEARCH CONTRACTS, GRANTS, GIFTS, AND AGREEMENTS  
(continued)

B. The Ohio State University Research Foundation (continued)

1. Federal Research Contracts/Grants (continued)

- cc. \$8,940.00 additional funds from Department of Health, Education, and Welfare, Public Health Service, Food and Drug Administration, Rockville, Maryland, for Conducting Training Course Entitled: "Program Officials Guide to Contracting," under the direction of College of Administrative Science, Division of Continuing Education. (Project 3814-A1 - Mod. #4)

TOTAL - Federal Research Contracts/Grants \$1,348,866.00

2. State of Ohio Research Contracts/Grants

- a. \$66,328.00 from State of Ohio, Department of Economic and Community Development, Administration of Justice, Columbus, Ohio, for Evaluation of Shock Parole--Phase II, under the direction of College of Administrative Science, School of Public Administration, for period July 1, 1974 through June 30, 1975. (Project 4059-A1 - New)

3. Industrial, Subcontracts/Grants and Other Non-Federal Research Contracts/Grants

- a. \$240,529.00 from The Toledo Edison Company, Toledo, Ohio, for Investigation on the Aquatic Environment in the Vicinity of Davis-Besse Power Plant, under the direction of College of Biological Sciences, for period June 15, 1973 through June 30, 1978. (Project 3752-A1 - Ltr. Dtd. 10/9/74)
- b. \$34,750.00 from The Council for Exceptional Children, Reston, Virginia, for Coordination Services Subcontract--Data Sum--NCEMMH, under the direction of Academic Faculty of Curriculum and Foundations, for period September 1, 1974 through May 31, 1975. (Project 4061-B1 - New)
- c. \$32,100.00 from The Council for Exceptional Children, Reston, Virginia, for Council for Exceptional Children Coordination Services--NCEMMH, under the direction of Academic Faculty of Curriculum and Foundations, for period September 1, 1974 through May 31, 1975. (Project 4061-A1 - New)
- d. \$24,860.00 from Illuminating Engineering Research Institute, New York, New York, for Studies of Visual Performance and Illumination, under the direction of Department of Biophysics, for period July 1, 1974 through June 30, 1975. (Project 885 - Ext. #17)

III. REPORT OF RESEARCH CONTRACTS, GRANTS, GIFTS, AND AGREEMENTS  
(continued)

B. The Ohio State University Research Foundation (continued)

3. Industrial, Subcontracts/Grants and Other  
Non-Federal Research Contracts/Grants (continued)

- e. \$10,000.00 from Muscular Dystrophy Association of America, New York, New York, for Duchenne Muscular Dystrophy: A New Approach to Therapy, under the direction of Department of Medicine, for period January 1, 1974 through June 30, 1975. (Project 3704-A2 - Ext. #1)
- f. \$9,000.00 from The Petroleum Research Fund, American Chemical Society, Washington, D. C., for Studies of Electron Distribution in Cubane, C<sub>8</sub>H<sub>8</sub>, under the direction of Department of Chemistry, for period September 1, 1974 through August 31, 1977. (Project 4064-A1 - New)
- g. \$9,000.00 from The Petroleum Research Fund, American Chemical Society, Washington, D. C., for Subsite Structure and Catalytic Efficiency of Chymotrypsin, under the direction of Department of Biochemistry, for period September 1, 1974 through August 31, 1977. (Project 4065-A1 - New)
- h. \$3,150.00 from The Council for Exceptional Children, Reston, Virginia, for Coordination Services 3-Day Conference, under the direction of Academic Faculty of Curriculum and Foundations, for period September 1, 1974 through May 31, 1975. (Project 4061-C1 - New)

TOTAL - Industrial, Subcontracts/Grants and Other  
Non-Federal Research Contracts/Grants \$363,389.00

C. The Engineering Experiment Station

1. State Research Contract

- a. \$1,500.00 from State of Ohio, Department of Transportation, Columbus, Ohio, for Investigation of Traffic Dynamics by Aerial Photogrammetry Techniques, under the direction of Department of Civil Engineering, for period November 1, 1974 through January 31, 1975. (EES 278, Ext. #13)

2. Industrial and Other Research Contract

- a. \$300.00 from Keystone Steel and Wire, Peoria, Illinois, for Sonic Wire Drawing, under the direction of Department of Engineering Mechanics, for period October 9, 1974 through October 31, 1974. (EES 462, Ext. #2)

III. REPORT OF RESEARCH CONTRACTS, GRANTS, GIFTS, AND AGREEMENTS  
(continued)

D. The Ohio State University Development Fund

1. Gifts of \$5,000 or More

- a. \$41,222.65 from The Associates of Medicine, Columbus, Ohio--\$38,874.99 for continued support of the Department of Medicine General Fund and \$2,347.66 for support in Cardiology.
- b. \$31,058.48 from The Louise Orr Scott Foundation, Columbus, Ohio--\$23,293.86 for scholarships in the College of Medicine and \$7,764.62 for scholarships in the College of Pharmacy.
- c. \$30,000.00 from The E. F. Wildermuth Foundation, Columbus, Ohio, for loans and scholarships in the College of Optometry.
- d. \$25,082.10 from Emerson S. Zuck Trust, Orlando, Florida, for Mr. and Mrs. Zuck's named endowment fund to provide loans to needy and deserving students.
- e. \$12,000.00 from Foundation for Endowment of a Chair at Ohio State University, Inc., New York, New York, for the Meshulam Riklis Chair in the College of Administrative Science.
- f. \$10,000.00 from Chevron Research Company, Richmond, California--\$5,000.00 for a new research fund in Metallurgical Engineering and \$5,000.00 for a research fund under the direction of Department of Chemistry.
- g. \$10,000.00 from Shell Companies Foundation, Houston, Texas--\$5,000.00 for its fund for Chemical Engineering and \$5,000.00 for Metallurgical Engineering.
- h. \$7,450.00 from Gulf Oil Foundation, Pittsburgh, Pennsylvania--\$4,450.00 for their graduate fellowship in Chemical Engineering and \$3,000.00 to assist the Department of Mechanical Engineering in the purchase of equipment.
- i. \$6,000.00 from Eastman Kodak Company, Rochester, New York, for support of a research grant in Mechanical Engineering.
- j. \$5,000.00 from The Rockefeller Foundation, New York, New York, as an unrestricted gift to the University.

III. REPORT OF RESEARCH CONTRACTS, GRANTS, GIFTS, AND AGREEMENTS  
(continued)

D. The Ohio State University Development Fund (continued)

2. Gifts-in-Kind

- a. A collection of film posters, lobby title cards, and lobby one-sheet and three-sheet movie posters from Mr. Philip Sills, Riverdale-on-Hudson, New York, for the College of The Arts.
- b. Eileen Heckart, distinguished actress and devoted alumna, has offered to this University a collection of her theatre memorabilia which will serve as a rich resource for research for students majoring in theatre.

The University is fortunate to add this valuable collection of scripts, tapes, correspondence, programs, awards and photographs to its research holdings in the field of the performing arts.

The donor resides in New Canaan, Connecticut, with her husband, John H. Yankee, Jr., Bachelor of Science in Business Administration '42, and their three sons, Mark, Philip and Luke, and received the Bachelor of Arts degree from Ohio State in 1942. The long list of awards and honors earned during her career includes the 1973 Academy Award as Best Supporting Actress, Honorary Doctor of Laws from Sacred Heart University, Outer Circle and Daniel Blum Citation, Straw Hat Award, Donaldson Award, Golden Globe Foreign Press Award, Sylvania T. V. Award, and The Ohio State University Centennial Achievement Award.

Although research would be the primary use of this collection, it is Miss Heckart's intention that the collection be open and available to the largest possible number of students and others who have interest in her work.

It is recommended that Miss Heckart's generous offer be accepted, and that the Eileen Heckart Collection be established and appropriately housed at the Department of Theatre, College of The Arts, at The Ohio State University.

3. Establishment of Named Funds

- a. \$5,000.00 from Margaritha A. Grandstaff for the establishment of James O. Grandstaff Memorial Award.

James O. Grandstaff Memorial Award

The James O. Grandstaff Memorial Award was established January 10, 1975, by the Board of Trustees of The Ohio State University with gifts to The Ohio State University Development Fund from Margaritha A. Grandstaff, Silver Spring, Maryland, widow of James O. Grandstaff, B.S. Agr. '30.

III. REPORT OF RESEARCH CONTRACTS, GRANTS, GIFTS, AND AGREEMENTS  
(continued)

D. The Ohio State University Development Fund (continued)

3. Establishment of Named Funds (continued)

a. James O. Grandstaff Memorial Award (continued)

All gifts are to be invested in the University's Permanent Endowment under the rules and regulations adopted by the Board of Trustees of The Ohio State University, with the right to invest and reinvest as occasion dictates.

The annual income is to be used to provide one or more annual awards to either an undergraduate or graduate student majoring in Animal Science at The Ohio State University. The selection of the recipient(s) is to be made by the University Scholarship Committee upon the recommendations of the Chairman of the Department of Animal Science and the Dean of the College of Agriculture and Home Economics.

Should the need for this scholarship cease to exist or so diminish as to provide unused income, then the income may be used for any purpose whatsoever as determined by the Board of Trustees, with preference being given to recommendations from the appropriate administrative official of the University who is then directly responsible for animal science.

b. \$1,000.00 from Thomas D. Harman for the establishment of the Katharine F. Harman Scholarship Fund.

Katharine F. Harman Scholarship Fund

The Katharine F. Harman Scholarship Fund was established January 10, 1975, by the Board of Trustees of The Ohio State University with a gift to The Ohio State University Development Fund from Thomas D. Harman, B.S.Agr. '40, M.S. '47, Ph.D. '50, Circleville, Ohio, in memory of his wife, Katharine Foresman Harman, B.S.H.E. '37.

All gifts are to be invested in the University's Permanent Endowment under the rules and regulations adopted by the Board of Trustees of The Ohio State University, with the right to invest and reinvest as occasion dictates.

The annual income is to be added to the principal until the fund reaches \$10,000. At that time, the annual income is to be used to provide one or more scholarships for students enrolled in the College of Agriculture and Home Economics and majoring in Agricultural Economics. The selection of the recipient(s) is to be made by the University Scholarship Committee upon the recommendations of the Chairman of the Department of Agricultural

III. REPORT OF RESEARCH CONTRACTS, GRANTS, GIFTS, AND AGREEMENTS

(continued)

D. The Ohio State University Development Fund (continued)

3. Establishment of Named Funds (continued)

b. Katharine F. Harman Scholarship Fund (continued)

Economics and the Dean of the College of Agriculture and Home Economics. Students who have demonstrated academic ability and need for financial assistance will be considered for this scholarship.

Should the need for this scholarship cease to exist or so diminish as to provide unused income, then the income may be used for any purpose whatsoever as determined by the Board of Trustees, with preference being given to recommendations from the appropriate administrative official of the University who is then directly responsible for agricultural economics.

E. Office of Business and Administration

1. Federal Contracts/Grants

- a. \$251,500.00 from Department of the Air Force, 2750th Air Base Wing - PMA, Specialized Procurement Branch, Building 2, Area C, Wright-Patterson Air Force Base, Ohio, for support of the graduate education program at Wright-Patterson Air Force Base, under the direction of Graduate School, for period October 1, 1974 through September 30, 1975. (Contract No. F33600-75-C-0333)
- b. \$24,408.00 from Department of Health, Education, and Welfare, Public Health Service, Bethesda, Maryland, for Chromosome: Regulation, Organization, and Function - Development Award - Research Career Program, under the direction of Department of Microbiology, for period January 1, 1975 through December 31, 1975. (Grant No. 5 K04 GM70300-03)
- c. \$6,051.00 from Department of Health, Education, and Welfare, Public Health Service, Health Resources Administration, Bureau of Health Resources Development, Bethesda, Maryland, for Nursing Student Loans, under the direction of School of Nursing, for period July 1, 1974 through June 30, 1975. (I. D. No. 05L390068-75; Former No. G 7 45 0430 15 1)

TOTAL - Federal Contracts/Grants \$281,959.00

III. REPORT OF RESEARCH CONTRACTS, GRANTS, GIFTS, AND AGREEMENTS

(continued)

E. Office of Business and Administration (continued)

2. State of Ohio Contracts/Grants

- a. \$49,367.00 from State of Ohio, Department of Education, Division of Vocational Education, Columbus, Ohio, for Pre-Service and In-Service Teacher Education Training, under the direction of Academic Faculty of Special Services, for period July 1, 1974 through August 31, 1975.
- b. \$34,560.00 from State of Ohio, Department of Natural Resources, Columbus, Ohio, for Management Improvement Program in Productivity, Evaluation, and Information Systems Applications for the Department of Natural Resources, under the direction of School of Public Administration, for period October 1, 1974 through September 30, 1975.
- c. \$24,068.00 from State of Ohio, Department of Education, Division of Special Education, Worthington, Ohio, for classroom and in-service training for teacher education in the area of Media and Materials for the Handicapped, under the direction of Academic Faculty for Exceptional Children, for period September 1, 1974 through August 31, 1975.

TOTAL - State of Ohio Contracts/Grants \$107,995.00

3. Industrial and Other Contracts/Grants

- a. \$19,062.00 from Flint Community Schools, Flint, Michigan, for providing a continuing organizational structure to facilitate the development and implementation of career education in the member school districts in the Alliance for Career Education, under the direction of Center for Vocational and Technical Education, for period July 1, 1974 through June 30, 1975. (Contract No. CVE/ACE-118-FCS-74)
- b. \$1,500.00 from Baltimore City Public Schools, Baltimore, Maryland, for conducting a Career Education Development Workshop for professional staff at the Harbor City Learning Center of the Baltimore City Public Schools, under the direction of Center for Vocational and Technical Education, for period November 20, 1974 through November 22, 1974. (Account No. 4993-606-415)

TOTAL - Industrial and Other Contracts/Grants \$20,562.00

III. REPORT OF RESEARCH CONTRACTS, GRANTS, GIFTS, AND AGREEMENTS  
(continued)

F. The Ohio State University Research Foundation

1. Federal Contracts/Grants

- a. \$156,600.00 from National Science Foundation, Washington, D. C., for Real-Time Animation/Graphics as a Tool for Research, under the direction of College of The Arts, Division of Art, for period November 1, 1973 through October 31, 1975. (Project 3859-A1 - Ltr. Dtd. 10/24/74)
- b. \$105,900.00 from National Science Foundation, Washington, D. C., for Crack-tip Region Problems in Fracture, under the direction of Department of Metallurgical Engineering, for period December 15, 1974 through December 14, 1976. (Project 4076-A1 - New)
- c. \$71,562.00 from Department of Health, Education, and Welfare, Public Health Service, National Institutes of Health, National Eye Institute, Bethesda, Maryland, for Development Study of Congenital Glaucoma, under the direction of Department of Veterinary Clinical Sciences, for period November 1, 1974 through October 31, 1975. (Project 3830-A2 - Ext. #1)
- d. \$60,000.00 from U. S. Atomic Energy Commission, Argonne, Illinois, for High Energy Physics Studies (Experimental Portion), under the direction of Department of Physics, for period October 1, 1965 through December 31, 1974. (Project 2116 - Mod. #14)
- e. \$51,985.00 from Department of the Air Force, Office of Scientific Research, Arlington, Virginia, for Automatic Pattern Recognition in a Multi-Sensor Environment, under the direction of Department of Electrical Engineering, for period March 1, 1971 through December 31, 1975. (Project 3183-A1 - Mod. #H)
- f. \$51,420.00 from Department of the Air Force, Office of Scientific Research, Arlington, Virginia, for Information Processing for Target Detection and Classification, under the direction of Department of Electrical Engineering, ElectroScience Laboratory, for period January 1, 1974 through December 31, 1975. (Project 3815-A1 - Mod. #A)
- g. \$40,000.00 from Department of the Air Force, Rome Air Development Center, Air Force Systems Command, Griffiss Air Force Base, New York, for Antenna Mathematical Modeling (GTD), under the direction of Department of Electrical Engineering, for period November 1, 1974 through October 31, 1975. (Project 4066-A1 - New)



III. REPORT OF RESEARCH CONTRACTS, GRANTS, GIFTS, AND AGREEMENTS  
(continued)

F. The Ohio State University Research Foundation (continued)

1. Federal Contracts/Grants (continued)

- h. \$31,000.00 from National Science Foundation, Washington, D. C., for Effect of Structure on Rates and Equilibria, under the direction of Department of Chemistry, for period March 1, 1972 through February 28, 1976. (Project 3397-A1 - Ltr. Dtd. 11/11/74)
- i. \$24,200.00 from Department of Health, Education, and Welfare, Public Health Service, Health Resources Administration, Rockville, Maryland, for Program Official's Guide to Contracting, under the direction of College of Administrative Science, Division of Continuing Education, for period October 28, 1974 through October 27, 1975. (Project 4068-A1 - New)
- j. \$20,000.00 from U. S. Atomic Energy Commission, Argonne, Illinois, for High Energy Physics Studies, under the direction of Department of Physics, for period October 1, 1965 through December 31, 1974. (Project 2116-A - Mod. #14)
- k. \$16,200.00 from National Science Foundation, Washington, D. C., for Preparation and Investigation of Compounds Containing Aluminum-Boron, Aluminum-Silicon, and Aluminum-Transition Metal Bonds, under the direction of Department of Chemistry, for period December 1, 1973 through November 30, 1975. (Project 3826-A1 - Ltr. Dtd. 11/11/74)
- l. \$14,800.00 from Department of Health, Education, and Welfare, Public Health Service, Center for Disease Control, Atlanta, Georgia, for Program Official's Guide to Contracting, under the direction of College of Administrative Science, Division of Continuing Education, for period October 30, 1974 through May 15, 1975. (Project 4069-A1 - New)
- m. \$12,900.00 from National Science Foundation, Washington, D. C., for Biostratigraphy of James Ross Island Area, Antarctica, under the direction of Institute of Polar Studies, for period September 1, 1974 through October 31, 1975. (Project 4073-A1 - New)
- n. \$8,400.00 from Civil Service Commission, Washington, D. C., for Government Contract Termination Course, under the direction of College of Administrative Science, Division of Continuing Education, for period November 1, 1974 through September 30, 1975. (Project 4033-C1 - New)

III. REPORT OF RESEARCH CONTRACTS, GRANTS, GIFTS, AND AGREEMENTS  
(continued)

F. The Ohio State University Research Foundation (continued)

1. Federal Contracts/Grants (continued)

- o. \$8,400.00 from Civil Service Commission, Washington, D. C., for Course--Developing Contract Work Specifications, under the direction of College of Administrative Science, Division of Continuing Education, for period November 1, 1974 through September 30, 1975. (Project 4033-D1 - New)
- p. \$8,400.00 from Civil Service Commission, Washington, D. C., for Research and Development Contracting Course, under the direction of College of Administrative Science, Division of Continuing Education, for period November 1, 1974 through September 30, 1975. (Project 4033-E1 - New)
- q. \$6,000.00 additional funds from National Science Foundation, Washington, D. C., for Workshop in Materials Problems and Research Opportunities in Coal Conversion, under the direction of Department of Metallurgical Engineering. (Project 3897-A1 - Ltr. Dtd. 11/13/74)
- r. \$4,800.00 additional funds from Civil Service Commission, Washington, D. C., for Inter-Government Training Course Preparation and Instruction, under the direction of College of Administrative Science, Division of Continuing Education. (Project 3808-G1 - Purchase Order Dtd. 10/11/74)
- s. \$2,600.00 from Civil Service Commission, Washington, D. C., for Developing Contract Work Specifications, under the direction of College of Administrative Science, Division of Continuing Education, for period October 1, 1973 through October 25, 1974. (Project 3808-D1 - Mod. #2 and Mod. #3)
- t. \$2,000.00 from Civil Service Commission, Denver, Colorado, for Course Presentation, under the direction of College of Administrative Science, Division of Continuing Education, for period August 12, 1974 through November 22, 1974. (Project 3996-A1 - Purchase Order Dtd. 11/5/74)
- u. \$1,012.50 additional funds from Civil Service Commission, Washington, D. C., for Inter-Government Training Course Preparation and Instruction, under the direction of College of Administrative Science, Division of Continuing Education. (Project 3808-G1 - Purchase Order Dtd. 11/4/74)

III. REPORT OF RESEARCH CONTRACTS, GRANTS, GIFTS, AND AGREEMENTS  
(continued)

F. The Ohio State University Research Foundation (continued)

1. Federal Contracts/Grants (continued)

- v. \$958.00 additional funds from Department of Health, Education, and Welfare, Public Health Service, National Institutes of Health, National Institute of Child Health and Human Development, Bethesda, Maryland, for Studies of the Effect of Obesity on Reproduction, under the direction of Department of Veterinary Physiology and Pharmacology. (Project 4041-A1 - Revision Dtd. 10/30/74)
- w. \$610.00 additional funds from Civil Service Commission, Washington, D. C., for Inter-Government Training Course Preparation and Instruction, under the direction of College of Administrative Science, Division of Continuing Education. (Project 3808-G1 - Purchase Order Dtd. 11/7/74)

TOTAL - Federal Research Contracts/Grants \$699,747.50

2. Industrial, Subcontracts/Grants and Other  
Non-Federal Research Contracts/Grants

- a. \$25,560.00 from Adria Laboratories, Inc., Wilmington, Delaware, for The Synthesis of Adriamycin (Doxorubicin) and Analogues, under the direction of College of Pharmacy, for period November 1, 1974 through October 31, 1975. (Project 4071-A1 - New)
- b. \$15,000.00 from Damon Runyon Memorial Fund, New York, New York, for Human Macrophage Tumoricidal Activity, under the direction of Department of Medicine, for period November 1, 1974 through October 31, 1975. (Project 3836-A2 - Ext. #1)
- c. \$9,525.00 from Research Corporation, New York, New York, for Low Temperature Photochemical Synthesis, under the direction of Department of Chemistry, for period December 1, 1974 through November 30, 1975. (Project 4070-A1 - New)
- d. \$4,525.00 from The Cary Arboretum of The New York Botanical Garden, Millbrook, New York, for a Pre-Fence Study of Mammalian Populations on The Cary Arboretum, under the direction of Department of Zoology, for period November 1, 1974 through October 31, 1975. (Project 4072-A1 - New)
- e. \$2,400.00 from Franklin County Court of Common Pleas, Department of Probation, Columbus, Ohio, for Staff-In-Service Training, under the direction of College of Administrative Science, School of Public Administration, for period October 1, 1974 through September 30, 1975. (Project 4067-A1 - New)

TOTAL - Industrial, Subcontracts/Grants and Other  
Non-Federal Research Contracts/Grants \$57,010.00

III. REPORT OF RESEARCH CONTRACTS, GRANTS, GIFTS, AND AGREEMENTS  
(continued)

G. The Ohio State University Development Fund

1. Gifts of \$5,000 or More

- a. \$45,000.00 from Ohio Lions Eye Research Foundation, Springfield, Ohio, for support of various projects in the College of Optometry.
- b. \$36,988.41 from The Associates of Medicine, Columbus, Ohio--\$35,414.10 to continue their support of the Department of Medicine General Fund and \$1,574.31 for Cardiology research support.
- c. \$30,825.00 from The Upjohn Company, Kalamazoo, Michigan, for endocrine research.
- d. \$30,568.00 from The John A. Hartford Foundation, Inc., New York, New York, for research in pharmacologic control of portal hypertension.
- e. \$18,000.00 from American Cyanamid Company, Pearl River, New York, for infectious disease research.
- f. \$15,000.00 from Eastman Kodak Company, Rochester, New York--\$9,000.00 as an unrestricted gift to the University and \$6,000.00 for use of the Chairman of the Department of Physics.
- g. \$15,000.00 from Schering Corporation, Bloomfield, New Jersey, for research in Veterinary Medicine.
- h. \$11,150.00 from General Motors Corporation, Detroit, Michigan, for their named scholarship fund.
- i. \$10,721.25 from Mr. and Mrs. Ralph W. Kurtz, Tampa, Florida, for research in the College of Medicine.
- j. \$10,000.00 from Ford Motor Company Fund, Dearborn, Michigan--\$5,000.00 for the Department of Mechanical Engineering and \$5,000.00 for support of the graduate research program in City Planning.
- k. \$5,000.00 from The William Bingham Foundation, Cleveland, Ohio, for a new loan fund for foreign students.
- l. \$5,000.00 from Corning Glass Works Foundation, Corning, New York, for support and maintenance of the X-Ray Diffraction Laboratory in the Department of Ceramic Engineering.
- m. \$5,000.00 from Jeffrey Galion, Columbus, Ohio, for the University Activities Center.

III. REPORT OF RESEARCH CONTRACTS, GRANTS, GIFTS, AND AGREEMENTS  
(continued)

G. The Ohio State University Development Fund (continued)

1. Gifts of \$5,000 or More (continued)

- n. \$5,000.00 from M. A. Young Foundation, Youngstown, Ohio (given in the name of Maurice A. Young)--\$2,500.00 for the Samuel Saslaw Endowment Fund to support continuing medical education programs and \$2,500.00 for the College of Medicine Progress Fund.

2. Gift-in-Kind

- a. A collection of 1,520 film posters, 3,638 lobby title cards, lobby one-sheet posters for 260 films, and lobby three-sheet posters for 45 films, from Mr. Philip Sills, New York, New York, for the College of The Arts.

3. Establishment of Named Fund

- a. \$10,000.00 from Chi Association of Theta Xi for the establishment of the Chi Association of Theta Xi Scholarship Fund.

Chi Association of Theta Xi Scholarship Fund

The Chi Association of Theta Xi Scholarship Fund was established January 10, 1975, by the Board of Trustees of The Ohio State University with a gift to The Ohio State University Development Fund from Chi Association of Theta Xi.

All gifts are to be invested in the University's Permanent Endowment Fund, under the rules and regulations adopted by the Board of Trustees of The Ohio State University, with the right to invest and reinvest as occasion dictates.

The annual income is to be used to provide one or more scholarships for undergraduate students who have demonstrated academic ability and need for financial assistance. The selection of the recipient is to be made upon the recommendation of the Dean of the College of Engineering and the University Scholarship Committee. It is intended that the scholarships be given to students enrolled in the advanced R. O. T. C. program and the College of Engineering.

Should the need for these scholarships cease to exist or so diminish as to provide unused income, then the income may be used for any purpose whatsoever as determined by the Board of Trustees, with preference being given to recommendations from the appropriate administrative official of the University who is then directly responsible for engineering education.

IV. BUSINESS AND ADMINISTRATION

A. Plans and Specifications

At the request of the Vice President for Business and Administration, President Enarson recommended that the plans and specifications, bills of materials, and estimates of cost for the following projects be approved by the Board of Trustees:

1. Ives Hall, East Wing--Exterior Masonry Repair

This project will eliminate a major safety problem by the replacement of the west wall of the east wing which has been pushed outward about one inch caused by oxidation of the steel lintels and penetration of water in these walls associated with the freeze-thaw cycle of the weather. This work will also correct problems with the parapet walls of this building.

Funds are budgeted in Budget Account 126070 (Contract Repair).

2. McCracken Power Plant, Masonry Repairs to Stacks

This project will shorten the south stack to remove deteriorated areas, replace all bad brick for the total height of the stack, tuck point all mortar joints and add waterproofing.

Funds are budgeted in Budget Account 126070 (Contract Repair).

3. B & Z Building, 1735 Neil Avenue, Exterior Masonry Repairs and Window Replacement

The existing windows are deteriorated due to weather and the masonry joints of the building are open. This project will provide replacement of the windows and sealing of the exterior masonry of the building to prevent further deterioration. This is an energy conservation measure as well as a maintenance measure.

Funds are budgeted in Budget Account 126070 (Contract Repair).

4. Carmack Drive, Repairs to Drainage and Pavement

This project will repair and modify the storm sewer system to prevent further penetration of water into the base and subgrade which has caused the north leg of Carmack Drive to deteriorate prematurely.

Funds are budgeted in Budget Account 126070 (Contract Repair).

5. Haskett Hall--Remodeling

This project will provide for the development of a Photo-History Center and four laboratories on the first, second, and fourth floors of Haskett Hall and associated alterations to improve functions of the existing support facilities.

IV. BUSINESS AND ADMINISTRATION (continued)

A. Plans and Specifications (continued)

5. Haskett Hall--Remodeling (continued)

Funds are budgeted in House Bill 985, Item 315-074 (Utilities and Renovation).

6. Electrical Expansion--West Campus

This project will provide for the installation of 13.8 KV electric feeders from the utility substation located at 1735 Cannon Drive to the Agricultural Buildings and alternates for service to the West Campus buildings. Service will be transferred from the local electric utility lines through the new substation equipment. This will provide more reliable service, a back-up system and energy purchase through a more favorable service contract.

Funds are budgeted in House Bill 985, Item 315-074 (Utilities and Renovation).

7. University Hospital, Air Conditioning Improvement

This project provides for a 500-ton electrically driven chiller addition to the existing main central chiller water system located in the mechanical room of the University Hospital.

Funds are budgeted in Budget Account 801298 (University Hospital Chiller).

8. Mansfield Campus, Phase IV

This project will provide a new building, a new building addition to the Technical Education Laboratory (Phase III Building) and remodeling of the Technical Education Laboratory in Ovalwood Hall (Phase I Building) with facilities for the Technical Education Program of the North Central Technical College and the Baccalaureate Program of The Ohio State University. The new building will be located south and east of Eisenhower Hall (Phase II Building).

Funds are budgeted in House Bills 988 and 985, Item 315-082 (Mansfield Branch, Ohio State University, in cooperation with North Central Ohio Technical College).

9. University Hospital, Intensive Care Unit Alteration

This project is necessary because the Hospital critically requires more intensive care beds. The project will provide 21 new beds and will be located on the fourth floor, adjacent to the surgical suite of the existing University Hospital. Existing intensive care beds in the Hospital will remain.

IV. BUSINESS AND ADMINISTRATION (continued)

A. Plans and Specifications (continued)

9. University Hospital, Intensive Care Unit Alteration (continued)

When bids were originally taken for this project, December 13, 1973, the quotations were substantially above the estimates and it was believed undesirable to readvertise at that time. However, additional funds have now been made available and the project has been modified to include changes made necessary by Ohio Building Code revisions.

Funds are budgeted in Budget Account 801279 (Hospital Rotary).

10. Central Campus Energy Control Center - Phase I

This project will provide for the initial phase of a planned five-year program to provide centralized monitoring and control of all major energy using systems on the central campus as well as centralized fire and security alarm reporting.

Funds are budgeted in House Bill 985, Item 315-074 (Utilities and Renovation).

11. Main Library Addition

This project will provide a major addition to the west of the existing Library and remodeling of the existing building for a more usable total Library facility.

Funds are budgeted in House Bill 985, Item 315-079 (Main Library Addition).

Mr. Leo Lauterbach, of the architectural firm of Lorenz, Williams, Lively, and Likens, made a presentation of the architectural plans for the Main Library Addition.

12. Evans Laboratory-- Ventilation (Phase II, Third and Fourth Floors)

This project will provide improvements of the ventilation in the Third and Fourth Floor Laboratories for the purpose of eliminating safety hazards to students and other University personnel.

Funds are budgeted in House Bill 985, Item 315-074 (Utilities and Renovation).

13. Traffic Improvements

This project will provide for the realignment of the northwest entrances to the campus and extension of College Road from Twelfth Avenue to Eleventh Avenue. Traffic flow will be improved when this work has been completed.

Funds are budgeted in House Bill 985, Item 315-074 (Utilities and Renovation).



IV. BUSINESS AND ADMINISTRATION (continued)

A. Plans and Specifications (continued)

14. Utility Tunnel, Structural Repairs (19th Avenue to Haskett Hall)

This project will provide for the repair of deteriorated tunnel sections which present a hazard to the traffic traveling overhead.

Funds are budgeted in Budget Account 126070 (Contract Repair).

Upon motion of Mr. Hilliker, seconded by Mr. Gushman, the above recommendations were approved by unanimous roll call vote, and the Secretary was authorized and directed to sign the plans and specifications for the above projects for and on behalf of the Board of Trustees. The Vice President for Business and Administration was directed to proceed with a request for bids in the normal University manner, and if satisfactory bids are received to proceed with the award of contracts. All action regarding this matter will be reported to the Board of Trustees at a later meeting.

B. Report of Award of Contracts

1. Cancellation of Project

On November 1, 1974, the Board of Trustees approved the following project to be advertised for completion of construction:

a. Drackett Tower, North Commons,  
Chilled Water Cross Connection

The equipment for this installation will be purchased by the Residence and Dining Halls directly through the Purchasing Department.

Upon motion of Mr. Hilliker, seconded by Mr. Gushman, the above cancellation was approved by unanimous roll call vote.

2. Award of Contracts

In accordance with authorization provided by the Board of Trustees, bids were taken on the projects listed below and the contracts were recommended for award. The action reported to the Board was as follows:

a. Means Hall--Renovation of Elevators

	<u>Low Bid</u>	<u>Est. of Cost</u>
<u>General Contract</u> (4 bids received 10-23-74, Rebid) Waller & Lund (Columbus)		
Base bid	\$270,000.00	\$308,000.00
Alt. - Extending installation service for 12 months	+ 4,300.00	+ 6,500.00
<u>Total Contract</u>	<u>\$274,300.00</u>	<u>\$314,500.00</u>

January 10, 1975 meeting, Board of Trustees

IV. BUSINESS AND ADMINISTRATION (continued)

B. Report of Award of Contracts (continued)

2. Award of Contracts (continued)

a. Means Hall--Renovation of Elevators (continued)

Funds for this project have been provided in Budget Account 801297 (Means Hall Elevators).

b. Polo Field--Parking Lot Renovation

	<u>Low Bid</u>	<u>Est. of Cost</u>
<u>General Contract</u> (5 bids received 11-14-74) A & C Construction Company (Columbus)	\$ 26,544.00	\$ 42,401.00

Funds for this project have been provided in Budget Account 801281 (Polo Field, Parking Lot).

c. Page Hall--Interior Repairs to Room 200

	<u>Low Bid</u>	<u>Est. of Cost</u>
<u>General Contract</u> (3 bids received 12-16-74) Zarbaugh & Assoc., Inc. (Columbus)	\$ 13,800.00	\$ 16,600.00

Funds for this project have been provided in Budget Account 126070 (Contract Repair).

d. Pomerene Hall--Interior Painting

	<u>Low Bid</u>	<u>Est. of Cost</u>
<u>General Contract</u> (10 bids received 12-16-74) Madias Bros., Inc. (Detroit, Michigan)	\$ 11,680.00	\$ 19,000.00

Funds for this project have been provided in Budget Account 126070 (Contract Repair).

Upon motion of Mr. Hilliker, seconded by Mr. Gushman, the above award of contracts and expenditure of funds were approved and the action of the Vice President for Business and Administration was ratified by unanimous roll call vote.

IV. BUSINESS AND ADMINISTRATION (continued)

C. Other

1. Easements

Pipeline Easement, Lima Campus - Buckeye Pipe Line Company

The Buckeye Pipe Line Company has requested a pipeline easement on State of Ohio land that has been designated for the use of The Ohio State University - Lima Regional Campus. The standard easement charge will be \$1,552.50 for a fifteen-year easement.

North Star Road - Electric Service Line - Columbus and Southern Ohio Electric Company

The Columbus and Southern Ohio Electric Company has requested land for an easement to install an electric service at 2760 North Star Road for the College of Agriculture and Home Economics. The line will be constructed within the limits of a ten-foot strip of land approximately 600 ft. in distance, terminating at the Turf Research Building.

It was recommended that the President and/or Vice President for Business and Administration be authorized to request the Director of the Department of Administrative Services, pursuant to his statutory duties, to act on behalf of the University in developing the necessary legal instruments to provide for both of these easements.

2. Deed and Agreement of Easement

It was recommended that the Vice President for Business and Administration be authorized to sign a Deed and Agreement of Easement between the Board of Trustees of The Ohio State University (Grantor) and Saint Stephen's Episcopal Church (Grantee), of Columbus, Ohio, for property located on the north side of West Woodruff Avenue, a duly dedicated public street.

3. Vacation of Alley - City of Columbus Ordinance No. 1768-74

It was recommended that the Vice President for Business and Administration be authorized to accept the terms of the proposed ordinance for the vacation of the alley south of Eleventh Avenue, extending from the west line of the first alley west of Highland Avenue to the east line of the second alley west of Highland Avenue.

Upon motion of Mr. Hilliker, seconded by Mr. Dunlap, the Board of Trustees approved the foregoing recommendations by unanimous roll call vote.

IV. BUSINESS AND ADMINISTRATION (continued)

C. Other (continued)

4. Power of Attorney - Customs

President Enarson recommended that the action taken by the Board of Trustees on September 12, 1968, relative to the Power of Attorney - Customs, be rescinded and the following recommendation for authorization be approved:

That Edward Q. Moulton, Vice President for Business and Administration; Ernest W. Leggett, Treasurer of the University; and Dwight F. Stobbs, Acting Assistant Vice President for Business Management, The Ohio State University; be authorized to transact business on behalf of The Ohio State University with any Custom House in the United States of America, including making declarations to entries of merchandise imported by this University, endorsing bills of lading, and signing all bonds in the name of the University as required by law or the regulations of the Collector of Customs or Treasury Department; securing the duties on importations made by the University; and also in the name of the University executing and delivering bonds of indemnity to the Collector of Customs.

Upon motion of Mr. Hilliker, seconded by Mr. Dunlap, the Board of Trustees approved the above recommendation by unanimous roll call vote.

D. Report of Controlling Board Actions Pertaining to The Ohio State University

- 12 Approves the release of \$110,000.00 from the General University Funds to purchase the property at 196-200 West 10th Avenue, Columbus, Franklin County, Ohio.
- 13 Approves the release of \$106,500.00 from H. B. 985, Item 315-074 (Utilities and Renovation), to award the Mechanical and Electrical Contracts for the project known as "Evans Laboratory - Ventilation (Phase I, First Floor)."
- 14 Approves the release of \$7,000.00 from H. B. 985, Item 315-074 (Utilities and Renovation), for planning funds for the project known as "Evans Laboratory - Ventilation (Phase II)."

\*

\*

\*

V. REPORTS

A. Report of Auditor of State - Educational Opportunity Grants Program - The Ohio State University

The Report of the Auditor of State for the Educational Opportunity Grants Program - The Ohio State University for the period July 1, 1968 through June 30, 1973 has been received and reviewed by the appropriate officers of the University.

V. REPORTS (continued)

A. Report of Auditor of State - Educational Opportunity Grants Program - The Ohio State University (continued)

The Report is favorable but does suggest some procedural changes which since have been incorporated.

President Enarson recommended that this Report of the Auditor of State be received and filed with the official documents of the University.

Upon motion of Mr. Devenow, seconded by Mr. Gushman, the foregoing recommendation was approved by unanimous voice vote.

B. Report from the Insurance Committee

Dr. Sirak, as Chairman of the Insurance Committee of the Board, made the following recommendations:

Dependents' Group Term Life Insurance Program

As Chairman of the Insurance Committee and with the full support of the administration of this University, I wish to recommend the establishment of a dependents' group term life insurance program. This program will enable University faculty and staff members to purchase, on an optional basis, life insurance coverage for their spouses and dependent children. Specifically, the coverage provided is:

<u>Dependents</u>	<u>Amount of Life Insurance</u>
1. Spouse	\$3,000
2. Each child	
--Under 15 days of age	-0-
--15 days to 6 months of age	500
--6 months to age 23	1,000

The monthly premium will be \$1.00 and paid by payroll deduction by the participating employees.

In making this recommendation, it should be noted that the addition of dependents' group term life insurance was one of the items in our benefits program recommended by Alexander & Alexander, Inc., who were engaged by this Board to review the insurance programs of the University.

January 10, 1975 meeting, Board of Trustees

V. REPORTS (continued)

B. Report from the Insurance Committee (continued)

Dr. Sirak's recommendation (continued)

It is recommended that this University's existing contracts with John Hancock Mutual Life Insurance (Contract No. 58175-GTC as amended for faculty and staff and Contract No. GTC-58175-100 as amended for classified and hourly employees) be amended to include the addition of dependents' group term life insurance, effective February 1, 1975.

It is further recommended that the President and/or Vice President for Business and Administration be authorized to implement this recommendation.

Upon motion of Dr. Sirak, seconded by Mr. Devenow, the Board of Trustees approved the foregoing recommendations by unanimous roll call vote.

C. Report on the University's Investment Portfolio and Accountant's Report on the University Dormitory Revenue Bond Funds

The reports on the University's Investment Portfolio dated December 5, 1974 and January 9, 1975, and the Accountant's Report on the University Dormitory Revenue Bond Funds, including the financial statements of June 30, 1974, prepared by Peat, Marwick, Mitchell & Co., as submitted to the Finance and Investment Committee of the Board of Trustees, were received and ordered to be filed with the official records of the Board.

D. Report on Energy Conservation

Dr. Edward Q. Moulton, Mr. Thomas B. Smith, and Professor Charles Sepsy reported on energy conservation measures which had been implemented at the University, as well as the current energy situation as it pertains to the University.

\*

\*

\*

Thereupon the Board adjourned to meet Friday, February 7, 1975, at The Ohio State University Fawcett Center for Tomorrow, Columbus, Ohio, at 1:30 p.m.

Attest:

\_\_\_\_\_  
Edward Q. Moulton  
Secretary

\_\_\_\_\_  
William C. Safford  
Chairman

APPENDIX II

Degrees Conferred at

THE OHIO STATE UNIVERSITY  
COMMENCEMENT CONVOCATION

December 13, 1974

Page 288 Blank



## Graduate School

Dean: Jules LaPidus

### Doctor of Philosophy

One hundred and forty-eight candidates

Richard Lowell Adkins, Huntington, W. Va.  
B.E. (Marshall College); M.S.  
*Field of Specialization:* Engineering Mechanics  
*Adviser:* Dr. Charles T. West

Fahad T. Al-Thakeb, Washington, D. C.  
B.A. (Beirut Arab University, Lebanon); M.A.  
(University of Louisville)  
*Field of Specialization:* Sociology  
*Adviser:* Dr. Alfred C. Clarke

Mohammad Jaafar Amini, Cincinnati  
B.S. (Texas Agricultural and Mechanical University);  
M.S. (University of Cincinnati)  
*Field of Specialization:* Civil Engineering  
*Adviser:* Dr. Alfred G. Bishara

Albert Arthur Anderson, New Paltz, N. Y.  
B.S., M.S. (State University of New York College at New  
Paltz)  
*Field of Specialization:* Art Education  
*Adviser:* Dr. Arthur Efland

Elise André, Columbus  
A.B. (Vassar College); M.A. (Vanderbilt University)  
*Field of Specialization:* Education  
*Adviser:* Dr. Gilbert A. Jarvis

Edwin Thomas Ashworth, Tiffin  
B.S. (Virginia Polytechnic Institute); M. S. (University  
of Texas)  
*Field of Specialization:* Geology and Mineralogy  
*Adviser:* Dr. Walter C. Sweet

Steven Brent Assa, Baldwin, N. Y.  
B.A. (University of Rochester)  
*Field of Specialization:* Mathematics  
*Adviser:* Dr. Koichiro Harada

Robert Jackson Bailey, College Park, Md.  
B.S. (American University)  
*Field of Specialization:* Chemistry  
*Adviser:* Dr. Harold Shechter

Stephen Leonard Barnes, Springfield  
B.A. (Wittenberg University); A.M. (Indiana University)  
*Field of Specialization:* Romance Languages and  
Literatures  
*Adviser:* Dr. Charles Carlut

Judith Langdon Bauer, Columbus  
B.S. (Capital University); M.A.  
*Field of Specialization:* Education  
*Adviser:* Dr. James K. Duncan

Bruce Paul Becher, Timberlake  
B.S., M.A. (Western Reserve University)  
*Field of Specialization:* Physical Education  
*Adviser:* Dr. Charles L. Mand

Rhoda Elizabeth McShane Becher, Portsmouth  
B.S. in Ed. (Miami University); M.A.  
*Field of Specialization:* Education  
*Adviser:* Dr. Lorren L. Stull

Dennis Paul Beres, Hialeah, Fla.  
B.S.A.A.E., M.S.  
*Field of Specialization:* Aeronautical and Astronautical  
Engineering  
*Adviser:* Dr. Cecil D. Bailey

James Robert Bergen, Tolland, Conn.  
A.B. (Iona College); M.A. (University of Connecticut)  
*Field of Specialization:* Education  
*Adviser:* Dr. Edward D. Allen

James Lewis Beug, Waukegan, Ill.  
B.A. (Northwestern University); M.S.  
*Field of Specialization:* Computer and Information Science  
*Adviser:* Dr. Ronald Ernst

Reginald Blue, Cleveland  
B.S.Ed. (Kent State University); M.A. (John Carroll  
University)  
*Field of Specialization:* Education  
*Adviser:* Dr. Charles B. Huelsman, Jr.

Antwi Boateng, Kumasi, Ghana  
B.Sc. (University of Science and Technology, Ghana);  
M.S.  
*Field of Specialization:* Metallurgical Engineering  
*Adviser:* Dr. Glyn Meyrick

Cathryn Louise Booth, Baltimore, Md.  
B.A. (Baldwin-Wallace College); M.A.  
*Field of Specialization:* Psychology  
*Adviser:* Dr. David Hothersall

William Andrew Buckingham, Jr., Murfreesboro, Tenn.  
B.S. (United States Air Force Academy); M.A.  
*Field of Specialization:* Political Science  
*Adviser:* Dr. Philip M. Burgess

Asbury Ladamir Burgin, Columbus  
B.S. Bus. Adm., M.B.A.  
*Field of Specialization:* Business Administration  
*Adviser:* Dr. H. Randolph Bobbitt

Kenneth Charles Burrows, Toton, Nottingham, England  
B.A. (University of Durham); M.A. (Clemson University)  
*Field of Specialization:* English  
*Adviser:* Dr. Richard D. Altick

Donald Leon Byrnett, Kettering  
B.I.E., M.S.  
*Field of Specialization:* Industrial and Systems  
Engineering  
*Adviser:* Dr. Richard A. Miller

Rita Marie Byrnes, Elkhorn, Wis.  
B.S. (Saint Mary's College, Indiana); M.A.  
*Field of Specialization:* Anthropology  
*Adviser:* Dr. Daniel T. Hughes

Ernest Richard Cadotte, Southfield, Mich.  
B.S. (Michigan State University); M.B.A. (University  
of Colorado)  
*Field of Specialization:* Business Administration  
*Adviser:* Dr. Bernard J. LaLonde

Terence Carlton Melfort, Sask., Canada  
B.A. (University of Saskatchewan); M. A. (University of  
Alberta)  
*Field of Specialization:* Slavic Languages and Literatures  
*Adviser:* Dr. David F. Robinson

Larry Earl Casterline, Columbus  
B.S. in Educ., M.Ed. (Bowling Green State University)  
*Field of Specialization*: Education  
*Adviser*: Dr. Neal E. Vivian

Roland Armand Champagne, Jacksonville, N. C.  
B.A. (Providence College); M.A.  
*Field of Specialization*: Romance Languages and Literatures  
*Adviser*: Dr. Pierre Astier

Che-Wei Wayne Chang, Taipei, Taiwan  
B.S. (National Taiwan University); M.S.  
*Field of Specialization*: Civil Engineering  
*Adviser*: Dr. Kamran Majidzadeh

In-Sheng Cheng, Taipei, Taiwan  
B.S. (National Taiwan University); M.S.  
*Field of Specialization*: Electrical Engineering  
*Adviser*: Dr. S. H. Koozekanani

Barry John Cooper, Victoria, Australia  
B.Sc., M.Sc. (University of Melbourne)  
*Field of Specialization*: Geology and Mineralogy  
*Adviser*: Dr. Walter C. Sweet

John Charles Corbin, Jr., Dayton  
B.E.E. (Cornell University); M.S.  
*Field of Specialization*: Electrical Engineering  
*Adviser*: Dr. Hsiung Hsu

John Briggs Curtis, Hopkinsville, Ky.  
B.A. (Vanderbilt University); B.D. (Southern Baptist Seminary); Ph.D. (Hebrew Union College); M.S.  
*Field of Specialization*: Physics  
*Adviser*: Dr. K. Narahari Rao

Francis Bernard Daniel, Bismarck, N. D.  
B.A. (Saint Mary's College, Minnesota)  
*Field of Specialization*: Biochemistry  
*Adviser*: Dr. Edward J. Behrman

Karen Elizabeth Diamond, Kensington, Md.  
B.A. (University of Rochester); M.S. (Cornell University)  
*Field of Specialization*: Psychology  
*Adviser*: Dr. Charles Wenar

Michael Emmett Doherty, Cincinnati  
B.S. (Xavier University)  
*Field of Specialization*: Computer and Information Science  
*Adviser*: Dr. Lee J. White

Michael John Drosjack, Johnstown, Pa.  
B.S. (Carnegie-Mellon University); M.S.  
*Field of Specialization*: Mechanical Engineering  
*Advisers*: Dr. Ernest O. Doebelin and Dr. Donald R. Houser

William Wade Dunham, Pittsburgh, Pa.  
B.S. (University of Pittsburgh); M.S.  
*Field of Specialization*: Mathematics  
*Adviser*: Dr. Norman Levine

Joseph Martin Epolito, Erie, Pa.  
B.A. (Catholic University of America)  
*Field of Specialization*: Theatre  
*Adviser*: Dr. Donald R. Glancy

Thomas William Ferratt, Muncie, Ind.  
B.B.A. (University of Notre Dame); M.B.A.  
*Field of Specialization*: Business Administration  
*Adviser*: Dr. H. Randolph Bobbitt, Jr.

Kenneth Robert Ferris, Baltimore, Md.  
B.B.A., M.B.A. (George Washington University); M.A.  
*Field of Specialization*: Accounting  
*Adviser*: Dr. Thomas J. Burns

Norman Jack Fogel, Lansdowne, Pa.  
B.S. (Ed.) (State College of Pennsylvania);  
M.A. (University of Delaware)  
*Field of Specialization*: Political Science  
*Adviser*: Dr. Richard Hofstetter

Alice M. Fraenkel, Columbus  
A.B. (Radcliffe College); A.M. (Columbia University);  
M.S.  
*Field of Specialization*: Genetics  
*Adviser*: Dr. C. William Birky

James David Gammel, Jr., Columbus  
B.S. (Mississippi State University); M.A. (Murray State University)  
*Field of Specialization*: Education  
*Adviser*: Dr. Ross L. Mooney

Beverly Byrum Gaw, Dayton  
B.A., M.A. (Miami University)  
*Field of Specialization*: Communication  
*Adviser*: Dr. John J. Makay

Diane Rae Gehl, Columbus  
B.S.Ed., M.A.  
*Field of Specialization*: Education  
*Adviser*: Dr. William Dowling

Wolfgang W. Gerlach, Munchen, Germany  
B.S. (Eastern Illinois University)  
*Field of Specialization*: Plant Pathology  
*Adviser*: Dr. Harry H. J. Hoitink

Robert Warren Glover, Lakewood  
B.A., M.A.  
*Field of Specialization*: Psychology  
*Adviser*: Dr. Jaques W. Kaswan

Conrad Charles Gonzales, Columbus  
A.B. (University of Detroit); M.A.  
*Field of Specialization*: Political Science  
*Adviser*: Dr. Charles F. Hermann

James Bostwick Gordon, Canton  
B.S., M.A.  
*Field of Specialization*: Psychology  
*Adviser*: Dr. Jaques W. Kaswan

Paul Alexis Griffin, Wellington, New Zealand  
B.C.A., B.C.A. (Honors), M.C.A. (Victoria University of Wellington); M.A.  
*Field of Specialization*: Accounting  
*Adviser*: Dr. Thomas J. Burns

Penelope Scott Griffing, Columbus  
B.A. (Iowa State Teachers College); A.M. (University of Michigan)  
*Field of Specialization*: Psychology  
*Adviser*: Dr. George G. Thompson

Ursula Charpey Haas, Columbus  
A.B. (University of Marburg, Germany);  
A.M. (University of Michigan)  
*Field of Specialization:* German  
*Adviser:* Dr. Charles W. Hoffmann

Dhaneshwar P. Hajela, Delhi, India  
B.Sc. (Agra University); B.E. (University of Roorkee);  
M.S.  
*Field of Specialization:* Geodetic Science  
*Adviser:* Dr. Richard H. Rapp

Judith Dotson Harris, Columbus  
A.B. (Morehead State University); M.A. (Ohio  
University)  
*Field of Specialization:* Theatre  
*Adviser:* Dr. John C. Morrow

William Thomas Harrison, Ithaca, N. Y.  
B.A., M.A. (Michigan State University)  
*Field of Specialization:* Education  
*Adviser:* Dr. John C. Belland

Carol Ochs Hartman, Lancaster  
B.S.Ed. (Capital University); M.Ed. (Ohio University)  
*Field of Specialization:* Education  
*Adviser:* Dr. Thomas M. Stephens

Walter Jon Heddesheimer, Lakewood  
B.S. in Speech (Northwestern University); M.A.  
*Field of Specialization:* History  
*Adviser:* Dr. Francis P. Weisenburger

Kurt Karl Hendel, St. Joseph, Mich.  
B.A. (Concordia Senior College); B.D. (Concordia  
Seminary); M.A.  
*Field of Specialization:* History  
*Adviser:* Dr. Harold J. Grimm

Kenneth Raymond Higgins, Mt. Sterling  
B.A. (Wilmington College); M.Ed. (Miami University)  
*Field of Specialization:* Education  
*Adviser:* Dr. Herman J. Peters

Edward Russell Hines, Cincinnati  
A.B. (Colgate University); M.A. (Teachers College-  
Columbia University)  
*Field of Specialization:* Education  
*Adviser:* Dr. Roald F. Campbell

Margaret Hopkins Hines, Cincinnati  
B.S. in Ed. (University of Cincinnati); M.S.  
*Field of Specialization:* Education  
*Adviser:* Dr. Philip A. Tripp

John Holmes, Sheffield, England  
B.Sc., M.A. (University of Sheffield)  
*Field of Specialization:* Geography  
*Adviser:* Dr. Lawrence A. Brown

Clarence Ronald Huff, Columbus  
B.A. (Capital University); M.S.W. (University of  
Michigan)  
*Field of Specialization:* Sociology  
*Adviser:* Dr. Simon Dinitz

Sukhdev Singh Hundal, Amritsar, India  
B.Sc. (Punjab University); M.Sc. (Punjab Agricultural  
University)  
*Field of Specialization:* Agronomy  
*Adviser:* Dr. George S. Taylor

Edmund Bernardine Hunt, Broadview, Ill.  
B.S., M.A. (Loyola University)  
*Field of Specialization:* History  
*Adviser:* Dr. Bradley Chapin

Patricia Cazier Hutchins, Worthington  
B.A., M.A.  
*Field of Specialization:* History  
*Adviser:* Dr. Donald B. Cooper

Jogikal Matada Jagadeesh, Mysore State, India  
B.E. (College of Engineering-Bangalore); M.E. (Indian  
Institute of Science-Bangalore)  
*Field of Specialization:* Electrical Engineering  
*Adviser:* Dr. Kenneth J. Breeding

Louis Glenn Jamar, Spaulding, Mich.  
B.S. (Michigan College of Mining and Technology);  
M.S. (Texas Technological College)  
*Field of Specialization:* Industrial and Systems  
Engineering  
*Adviser:* Dr. William T. Morris

Helen Boring Jones, Springfield  
B.S.Ed.; M.Ed. (Wittenberg University)  
*Field of Specialization:* Education  
*Adviser:* Dr. James V. Wigtl

Constantine Karmas, Athens, Greece  
Dipl. (Athens School of Economics and Business)  
*Field of Specialization:* Education  
*Adviser:* Dr. Donald P. Sanders

Stephen Kevin Kelly, Columbus  
B.S. (Spring Hill College); M.A. (Rutgers—The State  
University)  
*Field of Specialization:* Music  
*Adviser:* Dr. Richard H. Hoppin

Robert William Kelton, Miami, Fla.  
B.A. (University of South Florida); M.A.  
*Field of Specialization:* English  
*Adviser:* Dr. Walter Scheps

Patricia Wheeler Kennedy, Columbus  
B.S. (Eastern Oregon College); M.Ed. (Ohio University)  
*Field of Specialization:* Education  
*Adviser:* Dr. Alexander Frazier

Richard Allen Kershaw, Euclid  
B.S., M.S.  
*Field of Specialization:* Chemistry  
*Adviser:* Dr. Gary G. Christoph

Mostafa Khosropour, Columbus  
B.S.M.E. (University of Houston); M.S.  
*Field of Specialization:* Mechanical Engineering  
*Adviser:* Dr. Lynn L. Faulkner

- Willis Jefferson Knight, Oxford  
B.S. in Ed., M.Ed. (Miami University)  
*Field of Specialization:* Physical Education  
*Adviser:* Dr. Barbara Nelson
- Daniel Bruce Kohlhepp, Columbus  
B.S., M.B.A. (Pennsylvania State University)  
*Field of Specialization:* Business Administration  
*Adviser:* Dr. Ronald L. Raester
- George Steven Krakowka, Wenatchee, Wash.  
D.V.M. (Washington State University)  
*Field of Specialization:* Veterinary Pathobiology  
*Adviser:* Dr. Adalbert Koestner
- Michael Martin Kumpf, Maquoketa, Iowa  
B.A. (Luther College); M.A.  
*Field of Specialization:* Classics  
*Adviser:* Dr. Stephen V. Tracy
- Roscoe Beecher Lafferty, Jr., Hurricane, W. Va.  
B.S. (Towson State College); M.A. (Marshall University)  
*Field of Specialization:* Education  
*Adviser:* Dr. James B. Beaber
- Andrew Wen-Yuh Lai, Fairborn  
B.A. (Chung Hsing University); M.A. (University of Alabama)  
*Field of Specialization:* Business Administration  
*Adviser:* Dr. Bernard J. LaLonde
- Dong-Hoa Lam, Cholom, South Vietnam  
B.S.E. (Taiwan Cheng Kung University);  
M.S. (Mississippi State University)  
*Field of Specialization:* Electrical Engineering  
*Adviser:* Dr. William H. Peake
- Len-Fang Lee, Taipei, Taiwan  
B.Sc. (National Taiwan University)  
*Field of Specialization:* Chemistry  
*Adviser:* Dr. Melvin S. Newman
- William Donald Lemke, Cuyahoga Falls  
B.S., M.S.  
*Field of Specialization:* Chemistry  
*Adviser:* Dr. Daryle H. Busch
- Cynthia Burton Levy, Columbus  
B.A., B.S.Ed., M.A.  
*Field of Specialization:* Education  
*Adviser:* Dr. Charles B. Huelsman, Jr.
- Roger Owen Lewis, Jr., Cuyahoga Falls  
B.A. (Kent State University); M.A.  
*Field of Specialization:* Psychology  
*Adviser:* Dr. W. Bruce Walsh
- Oluwumi Longe, Ibadan, Nigeria  
B.Sc. (University of Ibadan); M.Sc. (University of Sidney, Australia)  
*Field of Specialization:* Computer and Information Science  
*Adviser:* Dr. Clinton R. Foulk
- Ernest W. Maglisco, New Paltz, N. Y.  
B.S. Ed. (Ohio University); M.S.Ed. (Bowling Green State University)  
*Field of Specialization:* Physical Education  
*Adviser:* Dr. Robert L. Bartels
- Roy Enford Malcolm, Huntsville, Ala.  
M.A. (Andrews University)  
*Field of Specialization:* Education  
*Adviser:* Dr. Joseph J. Quaranta
- Dwayne Clifford Maxwell, Columbus  
B.S. (Long Beach State College); M.S. (University of Maryland)  
*Field of Specialization:* Zoology  
*Adviser:* Dr. Paul A. Colinvaux
- Louise Spears McCants, Dayton  
B.S., M.S. (Oklahoma State University)  
*Field of Specialization:* Education  
*Adviser:* Dr. William D. Dowling
- Jeoraldean B. McClain, Tulsa, Okla.  
B.A. (University of Tulsa); A.M. (University of Michigan)  
*Field of Specialization:* History of Art  
*Adviser:* Dr. Franklin M. Ludden
- Moirae Sned McKenzie, Teddington, England  
Teachers Cert., Diploma in Ed. (University of London)  
*Field of Specialization:* Education  
*Adviser:* Dr. Martha L. King
- Virginia Turk Mellott, Bellaire  
A.B. (West Liberty State College); A.M. (West Virginia University)  
*Field of Specialization:* Education  
*Adviser:* Dr. Lowry W. Harding
- Patricia Shelby Merriman, Columbus  
B.S. Soc. Wel., M.A.  
*Field of Specialization:* Psychology  
*Adviser:* Dr. George G. Thompson
- Carol Sue Mertler, Ashland  
B.S. in Ed. (Kent State University); M.S. (University of Oregon)  
*Field of Specialization:* Physical Education  
*Adviser:* Dr. Daryl Siedentop
- Ronald Albert Mielech, Columbus  
B.A. (Villa Madonna College); M.F.A. (Yale University)  
*Field of Specialization:* Theatre  
*Advisers:* Dr. Roy H. Bowen and Dr. John C. Morrow
- Michael C. Mitchelmore, Bristol, England  
B.A. (Trinity College); Post Grad. Cert. in Edu.  
(University of Bristol); M.A. (Trinity College)  
*Field of Specialization:* Education  
*Adviser:* Dr. F. Joe Crosswhite
- Ahmad Moccari, Hamadan, Iran  
B.S. (Institute of Technology); M.S. (University of Miami)  
*Field of Specialization:* Metallurgical Engineering  
*Adviser:* Dr. Roger W. Staehle
- James David Mokren, Midland, Mich.  
B.S. (Capital University); M.S.  
*Field of Specialization:* Chemistry  
*Adviser:* Dr. Gary G. Christoph

Dale Michael Moyer, Columbus  
B.A. (Northern Illinois University); M.A.  
*Field of Specialization*: Psychology  
*Adviser*: Dr. Malcolm M. Helper

David Nevo, Tel Aviv, Israel  
B.A. (Hebrew University of Jerusalem); M.A. (Tel Aviv  
University)  
*Field of Specialization*: Education  
*Adviser*: Dr. Ross L. Mooney

Rosetta Holbrock New, Englewood, Colo.  
B.S.Ed. (Miami University); M.A. (University of  
Northern Colorado)  
*Field of Specialization*: Home Economics  
*Adviser*: Dr. Anna M. Gorman

Edward Howard Newman, University Heights  
B.E.E., M.S.  
*Field of Specialization*: Electrical Engineering  
*Adviser*: Dr. Jack H. Richmond

William Francis Noonan, Waterbury, Conn.  
A.B. (Assumption College); M.A.  
*Field of Specialization*: English  
*Adviser*: Dr. James R. Kincaid

Saturnino M. Ocampo, Jr., Batac, Philippines  
B.S.A. (University of the Philippines); M.S. (University  
of Illinois)  
*Field of Specialization*: Agricultural Education  
*Adviser*: Dr. J. Robert Warmbrod

Robert Rufus Odle, El Paso, Tex.  
B.S.M.E., M.S. (University of Texas)  
*Field of Specialization*: Metallurgical Engineering  
*Adviser*: Dr. Robert A. Rapp

Albert John Ogren, Jr., Bloomington, Minn.  
B.S., M.Ed. (Abilene Christian College); M.A.  
*Field of Specialization*: Education  
*Adviser*: Dr. Robert W. Jewett

Bello Emmanuel Ojeba, Okene, Nigeria  
B.S. (University of Leeds); M.E. (City College, New  
York)  
*Field of Specialization*: Electrical Engineering  
*Adviser*: Dr. Carlton H. Walter

Nell Marie Ollinger, Mentor  
B.A. (Saint Mary's College, Indiana); M.S. (Stout  
Institute); M.A. (Fordham University)  
*Field of Specialization*: Home Economics  
*Adviser*: Dr. Mary Lapitsky

Larkin Shaumus O'Neill, Columbus  
B.S.Phys., M.S.  
*Field of Specialization*: Mathematics  
*Adviser*: Dr. Henry H. Glover

Rosemarie Erna Petrich, Fort Collins, Colo.  
Prüfungszeugnis (Kultusministerium Baden-  
Württemberg, Germany); M.A. (Kent State University)  
*Field of Specialization*: German  
*Adviser*: Dr. Wolfgang Wittkowski

Lary Wayne Pinkley, Grafton  
B.S.Ed., M.S.  
*Field of Specialization*: Physics  
*Adviser*: Dr. K. Narahari Rao

Richard H. Pritchard, Ware Shoals, S. C.  
B.S. (Duke University); M.S.  
*Field of Specialization*: Chemistry  
*Adviser*: Dr. C. William Kern

Michael John Quinn, Westport, N. Y.  
B.S. (Saint Lawrence University); M.S.  
*Field of Specialization*: Geology and Mineralogy  
*Adviser*: Dr. Richard P. Goldthwait

Chander Singh Rathee, Hissar, India  
B.Sc. (Punjab University); M.Sc. (Punjab Agricultural  
University)  
*Field of Specialization*: Animal Science  
*Adviser*: Dr. William J. Tyznik

Robert Duane Reeser, Pasadena, Calif.  
B.S. in Ed. (Northern Illinois University); M.S.  
(University of Denver)  
*Field of Specialization*: Art Education  
*Adviser*: Dr. Arthur Efland

Brenda Gayle Rogers, Atlanta, Ga.  
B.A. (Spelman College); M.A. (Atlanta University)  
*Field of Specialization*: Education  
*Adviser*: Dr. Thomas Stephens

Michael Frances Rohde, St. Louis, Mo.  
B.S. (University of Missouri); M.S. (Southern Illinois  
University)  
*Field of Specialization*: Biochemistry  
*Advisers*: Dr. George S. Serif and Dr. Kirk C. Aune

Nicholas Mark Russo, New Castle, Pa.  
B.A. (Xavier University); M.A.  
*Field of Specialization*: Classics  
*Adviser*: Dr. Robert J. Lenardon

Ussamah Salaam, Beirut, Lebanon  
B.Sc. (Loughborough University of Technology); M.S.  
*Field of Specialization*: Civil Engineering  
*Adviser*: Dr. Ranbir S. Sandhu

Frank Anthony Schmallegger, Palmerton, Pa.  
B. of B.A. (University of Notre Dame); M.A.  
*Field of Specialization*: Sociology  
*Adviser*: Dr. Alfred C. Clarke

Daniel Ervinn Scuro, Cincinnati  
A.B. in Arts (Saint Mary's College, Kentucky);  
M.Ed. (Xavier University)  
*Field of Specialization*: Theatre  
*Adviser*: Dr. Donald R. Glancy

Satish Chander Sharma, Punjab, India  
B.A., M.A. (Panjab University)  
*Field of Specialization*: Agricultural Economics and  
Rural Sociology  
*Adviser*: Dr. Ted L. Napier

Shang-Tsong Shieh, Chiayi, Taiwan  
B.S. (National Chiao-Tung University); M.S.  
*Field of Specialization*: Electrical Engineering  
*Adviser*: Dr. Robert B. Lackey

Diann Rhock Showell, Columbus  
B.A. (University of Maryland); M.A. (Syracuse  
University)  
*Field of Specialization*: Education  
*Adviser*: Dr. James E. Kerber

Peggy Mae Siegel, Cleveland  
B.A., M.A.  
*Field of Specialization*: Education  
*Adviser*: Dr. Roald F. Campbell

Sat Parkash Singal, Ambala City, India  
B.V.Sc. (Punjab University); M.Sc. (Punjab Agricultural  
University)  
*Field of Specialization*: Dairy Science  
*Adviser*: Dr. Wayne R. Gomes

Douglas Hinckley Smith, Columbus  
B.A. (Anderson College); M.S. in Ed. (Indiana  
University)  
*Field of Specialization*: Education  
*Adviser*: Dr. William D. Dowling

Ludwig Leo Sprandel, Moscow, Pa.  
B.S. (University of Scranton)  
*Field of Specialization*: Chemistry  
*Adviser*: Dr. C. William Kern

William Harold Sprinsky, Columbus  
B.S. (Polytechnic Institute of Brooklyn); M.S.  
*Field of Specialization*: Geodetic Science  
*Adviser*: Dr. Urho A. Uotila

Nedra Rae Stimpfle, Upper Sandusky  
B.S.Ed., M.A.  
*Field of Specialization*: Education  
*Adviser*: Dr. Frank Zidonis

John A. Sutula, Valatie, N. Y.  
B.S. (Rensselaer Polytechnic Institute); M.S.  
(Rutgers-The State University); M.S. (Rensselaer  
Polytechnic Institute)  
*Field of Specialization*: Philosophy  
*Adviser*: Dr. William G. Lyeon

Philip Ross Swinehart, Columbus  
B.S. (Oregon State University); M.S.  
*Field of Specialization*: Electrical Engineering  
*Adviser*: Dr. William W. Anderson

Michael William Taylor, Beaver Falls, Pa.  
B.S. in B.A. (Youngstown State University); M.A.  
*Field of Specialization*: Education  
*Adviser*: Dr. I. Keith Tyler

Jonathan Udell, Northridge, Calif.  
B.A. (University of California at Los Angeles); M.A.  
(San Fernando Valley State College)  
*Field of Specialization*: Sociology  
*Adviser*: Dr. Alfred C. Clarke

Gale Blake Uhl, Columbus  
B.A. (Miami University); M.A.  
*Field of Specialization*: Psychology  
*Adviser*: Dr. Frank M. Fletcher

J. Scott Uttley, Fairlawn, N. J.  
A.B. (Temple University); A.M. (Indiana University)  
*Field of Specialization*: Geology and Mineralogy  
*Adviser*: Dr. Robert L. Bates

Nadine Lucille Verderber, St. Louis, Mo.  
A.B. (Washington University); A.M. (University of  
Missouri at Columbia)  
*Field of Specialization*: Education  
*Adviser*: Dr. Alan R. Osborne

Samuel David Waksal, Cleveland Heights  
B.A.  
*Field of Specialization*: Anatomy  
*Adviser*: Dr. Ronald L. St. Pierre

Donald Paul Waller, Columbus  
B.A. (Kalamazoo College)  
*Field of Specialization*: Pharmacology  
*Adviser*: Dr. Daniel Couri

James Hubert Ward, Dayton  
B.S. (Agricultural and Technical College of North  
Carolina); M.S.W. (University of Maryland)  
*Field of Specialization*: Social Work  
*Adviser*: Dr. Milton S. Rosner

William Joseph Waters, Rockville, Md.  
B.S. (College of the Holy Cross, Massachusetts); M.P.A.  
(Cornell University); M.S.  
*Field of Specialization*: Preventive Medicine  
*Adviser*: Dr. Thomas N. Chirikos

Shan Shekyuk Wong, Wanchai, Hong Kong  
B.S. (Oregon State University)  
*Field of Specialization*: Chemistry  
*Adviser*: Dr. Lawrence J. Berliner

James Campbell Wright, DeLand, Fla.  
B.A. (Simmons University); M.A. Bowling Green State  
University)  
*Field of Specialization*: Theatre  
*Adviser*: Dr. George P. Crepeau

Mary Jude Yablonsky, Erie, Pa.  
B.S. (Youngstown University); M.A. (University of  
Notre Dame)  
*Field of Specialization*: Education  
*Adviser*: Dr. George L. Lewis

Rasheed Ali Zaidi, Batapur, Lahore, Pakistan  
B.Sc.Tech. (University of Sheffield); M.S.  
*Field of Specialization*: Ceramic Engineering  
*Adviser*: Dr. Ralston Russell, Jr.

James Henry Zavec, Bethlehem, Pa.  
B.A. (La Salle College)  
*Field of Specialization*: Pharmacology  
*Adviser*: Dr. Saradindu Dutta

### Master of Accounting

Two candidates

Alene Adams, Kings Mountain, N. C.  
B.S. (North Carolina Agricultural  
and Technical State University)  
*Field of Specialization: Accounting*

Thomas Eugene Schauer, Columbus  
B.S. (University of Dayton)  
*Field of Specialization: Accounting*

### Master of Architecture

Six candidates

Mauricio Cote,  
Bucaramanga, Colombia  
Architect (Universidad Javeriana,  
Colombia)  
*Field of Specialization: Architecture*

Robert Jeffrey Holland,  
West Lawn, Pa.  
B.Arch. (Pennsylvania State  
University)  
*Field of Specialization: Architecture*

Justin Masakatsu Koizumi,  
Honolulu, Hawaii  
B.F.A. (University of Hawaii)  
*Field of Specialization: Architecture*

Krishna Kumar Shrivastava,  
Jabalpur, India  
B.Arch. (University of Roorkee,  
India)  
*Field of Specialization: Architecture*

Hwan-Rown Tsai, Taipei, Taiwan  
B.S. (College of Chinese Culture)  
*Field of Specialization: Architecture*

Winston J. Yee, Mandeville, Jamaica  
B.Arch. (Howard University)  
*Field of Specialization: Architecture*

### Master of Arts

One hundred and eighty-seven candidates

Beverly Sue Abbott, Sugar Grove, Pa.  
B.A. (Pennsylvania State  
University)  
*Field of Specialization: History*

Catherine Magdelene Alexander,  
Columbus  
B.S.Ed.  
*Field of Specialization: Education*

Betty Abernathy Allen, Columbus  
B.A. (Cedarville College)  
*Field of Specialization: Education*

Deborah Riedmiller Ames, Columbus  
B.S.Ed.  
*Field of Specialization: Education*

Cynthia Buschman Anderson,  
Westerville  
B.S. (Indiana University)  
*Field of Specialization: Education*

Jennifer Glogoria Bailey,  
Oklahoma City, Okla.  
B.A. (Inter-American University,  
Puerto Rico)  
*Field of Specialization:  
Communication*

Joseph Barcic, Jr., Pittsburgh, Pa.  
B.S.Bus.Adm.  
*Field of Specialization:  
Business Administration*

Roxana Dunton Bargar, Galena  
B.S.Ed. (Otterbein College)  
*Field of Specialization: Education*

Joseph Louis Barretta, Columbus  
B.S.Ed.  
*Field of Specialization: Education*

Thomas Lynn Bassett, Columbus  
B.S.Ed.  
*Field of Specialization: Education*

Dallas Sanford Batten, Culpeper, Va.  
B.A. (University of Richmond)  
*Field of Specialization: Economics*

Donald Michael Bishop,  
Westfield, N. J.  
B.A. (Trinity College, Connecticut)  
*Field of Specialization: History*

Mabell Pallanch Black, Worthington  
B.S. (University of Wisconsin)  
*Field of Specialization: Education*

Brian Kyle Bower, Berwick, Pa.  
B.A. (Bloomsburg State College)  
*Field of Specialization:  
Political Science*

William Francis Brendler, Columbus  
B.S. (Wisconsin State University)  
*Field of Specialization: Education*

Josephine Lavonne Bright,  
Tallahassee, Fla.  
B.S. (Florida Agricultural and  
Mechanical University)  
*Field of Specialization:  
Communication*

Barbara Marple Brockmeier,  
Columbus  
B.A.  
*Field of Specialization: History*

Thomas John Brownfield, Westerville  
B.A. (Stetson University)  
*Field of Specialization: Public  
Administration*

William Harlow Carlile, Columbus  
A.B. (Princeton University)  
*Field of Specialization: Journalism*

Lovie Barbee Carter, Columbus  
B.S. (Wilberforce University)  
*Field of Specialization: Education*

Mary George Cataland, Columbus  
B.S.Ed. (Ohio University)  
*Field of Specialization: Education*

Baruch Chass, North Haven, Conn.  
B.S. (University of Connecticut)  
*Field of Specialization: Physical  
Education*

Mark A. Cherney, Allentown, Pa.  
B.S. (Drexel Institute of Technology)  
*Field of Specialization: Public  
Administration*

Dah-Pyng Lin Chow, Columbus  
B.A. in Ec. (National Taiwan  
University)  
*Field of Specialization: Economics*

Gertrude Coleman Churchman,  
Columbus  
B.S.Ed (Central State College)  
*Field of Specialization: Education*

Jeannette B. Cooke, Columbus  
B.A.  
*Field of Specialization: Sociology*

Ann Gayle Corcoran, Columbus  
B.A.  
*Field of Specialization: Journalism*

Daniel Charles Corley, Columbus  
B.A.  
*Field of Specialization: Education*

Cecilia Ann Crawford,  
Boca Raton, Fla.  
B.A. (Florida State University)  
*Field of Specialization: Psychology*

Thomas Evan Curtis, Lorain  
B.S.Ed.  
*Field of Specialization: Education*

Ronald George Daehler, Columbus  
B.S.Ed.  
*Field of Specialization: Education*

- Marilyn Mitchell Dankner, Shaker Heights  
B.S.Ed. (Bowling Green State University)  
*Field of Specialization:* Education
- Paul Joseph Dattilo, Columbus  
B.S.Ed.  
*Field of Specialization:* Education
- Clifton Eugene Davis, Worthington  
B.S.Ed. (Otterbein College)  
*Field of Specialization:* Education
- Linda Lewis Davis, Dayton  
B.S.Ed.  
*Field of Specialization:* Education
- Edward Richard Del Gaizo, New York, N. Y.  
B.A. (State University of New York at Stony Brook)  
*Field of Specialization:* Psychology
- Jose Hernan De Los Rios, Pererra, Colombia  
Licentiatum (Pontificium Institutum Biblicum de Urbe, Italy); Licentiatum (Pontifical University of Salamanca, Spain); Magister (Universidad del Valle, Colombia)  
*Field of Specialization:* Psychology
- Christine Bacha Demper, Columbus  
B.S.Ed. (Illinois State University)  
*Field of Specialization:* Education
- David George Dippold, Columbus  
B.S. (Bradley University); M.C.P.  
*Field of Specialization:* Economics
- Jay Dee Dobbin, Worthington  
A.B., M.Div. (Saint Edwards Seminary)  
*Field of Specialization:* Anthropology
- William Anthony Donohue, Key West, Fla.  
B.S.Ed. (Bowling Green State University)  
*Field of Specialization:* Communication
- William Marvin Dulaney, Alliance  
B.A. (Central State University)  
*Field of Specialization:* History
- Andrea Claire Eardley, Charleston, W. Va.  
B.A. (Ohio Dominican College)  
*Field of Specialization:* Education
- Cara Jane Edwards, Middlefield  
B.S.Ed.  
*Field of Specialization:* Health Education (Physical Education)
- Randy Beth Elia, Bronx, N. Y.  
B.A. (State University of New York at Stony Brook)  
*Field of Specialization:* Anthropology
- Judith Swinney Feil, Narbeth, Pa.  
B.A. (Pennsylvania State University)  
*Field of Specialization:* English
- Ronda Kay Perry Ferguson, Grove City  
B.A. (Marshall University)  
*Field of Specialization:* Education
- Anne Fieselmann, Eaton  
B.A. (Hanover College)  
*Field of Specialization:* Education
- Joan Ginsburg Flashman, Columbus  
B.S. (Boston University)  
*Field of Specialization:* Education
- Joel Ann Flesch, Arlington, Va.  
B.A. (Miami University)  
*Field of Specialization:* Political Science
- Kevin Edward Flint, Columbus  
B.S.Bus.Adm.  
*Field of Specialization:* Business Administration
- Henry Joseph Fordham, III, Philadelphia, Pa.  
B.A. (Oakwood College)  
*Field of Specialization:* Business Administration
- Linda Eaton Fourman, Columbus  
B.S. (Manchester College)  
*Field of Specialization:* Physical Education
- Jeffrey Reid Fox, Coshocton  
B.A. (Bowling Green State University)  
*Field of Specialization:* English
- Hollis Ferrell Friedland, Columbus  
B.S.Ed.  
*Field of Specialization:* Education
- Kathleen Louise Gardner, Columbus  
B.S.Ed.  
*Field of Specialization:* Education
- Michael Wayne Gendler, New Rochelle, N. Y.  
B.A. (University of Pennsylvania)  
*Field of Specialization:* Anthropology
- Joseph Michael Gentilini, Columbus  
A.B. (Ohio Dominican College)  
*Field of Specialization:* Education
- Patrick Thomas Geyer, Columbus  
B.A. (Ohio Dominican College)  
*Field of Specialization:* Education
- Andrea Lynn Gilchrist, Cincinnati  
B.S.Ed.  
*Field of Specialization:* English
- Andrew Cameron Gillespie, Liverpool, England  
Diploma (Loughborough University of Technology, College of Education)  
*Field of Specialization:* Physical Education
- Roxie Wright Goodlett, Columbus  
B.S. (Kent State University)  
*Field of Specialization:* Education
- Richard Allen Grant, Lakewood  
B.A. (Miami University)  
*Field of Specialization:* Psychology
- Richard Martin Gunther, Columbus  
B.A.  
*Field of Specialization:* History
- Lawrence Theodore Gwozdz, Chicopee, Mass.  
A.B. (State College at Westfield)  
*Field of Specialization:* History
- Daisy M. Harris, Baltimore, Md.  
B.A. (Morgan State College)  
*Field of Specialization:* Journalism
- Gary Joseph Hennessey, Seekonk, Mass.  
B.A. (Rhode Island College)  
*Field of Specialization:* Education
- Marian Frances Hernandez, Youngstown  
A.B. (Youngstown State University)  
*Field of Specialization:* Political Science
- Chin-Chin Ho, New Castle, Ind.  
B.S. (Purdue University)  
*Field of Specialization:* Psychology
- Louise Diane Hock, Cincinnati  
B.A.  
*Field of Specialization:* English
- Richard Allan Horan, Euclid  
A.B. (Case Western Reserve University)  
*Field of Specialization:* Linguistics
- Sherry Lee Howard, Macon, Ga.  
B.A. (Paine College)  
*Field of Specialization:* Journalism
- Susan Robinson Howell, Dillsboro, Ind.  
B.A. (Anderson College)  
*Field of Specialization:* Political Science
- M. Beth Sterner Hunker, Columbus  
A.B. (University of Pittsburgh)  
*Field of Specialization:* Education



- Minnie Hicks Hunter, Columbus  
B.S., M.S. (Tennessee Agricultural  
and Industrial University)  
*Field of Specialization*: Education
- Steven Michael Huyck, Columbus  
B.A. (Adrian College)  
*Field of Specialization*: German
- Marleen Meiko Izumi,  
Greenwood, B. C., Canada  
B.Com. (University of British  
Columbia)  
*Field of Specialization*: Accounting
- Vivian Jackson, Springfield, Ga.  
B.A. (Norfolk State College)  
*Field of Specialization*:  
Communication
- Jeffrey Pollard Johnson,  
Salt Lake City, Utah  
B.A. (Utah State University)  
*Field of Specialization*: German
- Arthur Edward Kelsey, Elgin, Ill.  
B.S. (Northern Illinois University)  
*Field of Specialization*: Education
- Patricia Kennedy, Cincinnati  
B.A.  
*Field of Specialization*: Slavic  
Languages and Literatures
- Barbara Jean Key, Columbus  
A.B. (Talladega College)  
*Field of Specialization*: Physical  
Education
- Jacquelyn Smith Kibbey, Columbus  
B.Art Ed.  
*Field of Specialization*: Art  
Education
- Joseph Michael Kishton, Columbus  
B.S.  
*Field of Specialization*: Psychology
- Olga Veicane Klawa, Springfield  
B.S.Ed. (Wright State University)  
*Field of Specialization*: Slavic  
Languages and Literatures
- Lea Klein, Kfar Saba, Israel  
B.A. (Hebrew University of  
Jerusalem)  
*Field of Specialization*: Linguistics
- Mary Newman Kleinhenz, Columbus  
B.S.Ed.  
*Field of Specialization*: Education
- Athelia Wilhelmenia Knight,  
Portsmouth, Va.  
B.A. (Norfolk State College)  
*Field of Specialization*: Journalism
- Ann Neuser Kozlowski, Columbus  
B.A.  
*Field of Specialization*: Anthropology
- Ronald Charles Kramer, Tiffin  
B.Ed. (University of Toledo)  
*Field of Specialization*: Sociology
- Michael Bernard LaCrosse,  
Rochester, N. Y.  
B.A. (Saint John Fisher College)  
*Field of Specialization*: Psychology
- Linda Kay LaFaber, Marietta  
B.S. in Educ. (Bowling Green State  
University)  
*Field of Specialization*: Education
- Deanna Marie Daigle Lamb,  
Columbus  
B.A. (Rivier College)  
*Field of Specialization*: Education
- James Richard Lecky, Wheaton, Ill.  
A.B. (Brown University)  
*Field of Specialization*: History
- Marilyn Mei-ying Lee, Columbus  
B.A. (National Cheng-Chi  
University, Taiwan)  
*Field of Specialization*: Education
- Joanne Redman Leiendecker,  
Columbus  
B.S. (Otterbein College)  
*Field of Specialization*: Education
- Kathryn Mason Lorz, Columbus  
B.A.  
*Field of Specialization*: Journalism
- James Robert Luckhaupt, Columbus  
B.A.Jour.  
*Field of Specialization*: Journalism
- Robin Reinstejn Lurie, Columbus  
B.S.Ed.  
*Field of Specialization*: Education
- Olumide Omoninje Makinde,  
Ado Ekiti, West Nigeria  
B.A. (University of Ibadan)  
*Field of Specialization*: Theatre
- Roger Alan Masten, Columbus  
B.A. (Wartburg College)  
*Field of Specialization*: Education
- Bette Jones Matkowski, Barberton  
B.A. (Mount Union College)  
*Field of Specialization*: English
- David Eugene McAlary, Westlake  
B.S. (Boston University)  
*Field of Specialization*: Journalism
- Carol Sue Bessey McCance, Columbus  
B.A.  
*Field of Specialization*: Public  
Administration
- James Robert McLeod,  
Mountain View, Calif.  
B.A. (University of California,  
Berkeley)  
*Field of Specialization*: Anthropology
- Lenore Melmeyer, Columbus  
B.S.  
*Field of Specialization*: Psychology
- Christine Louise Merkh, Akron  
B.A. (Capital University)  
*Field of Specialization*: Education
- Linda Scharnell Milan, Columbus  
B.S. (Bowling Green State  
University)  
*Field of Specialization*: Education
- Diane Eileen Miller, Miami, Fla.  
B.S.Ed. (University of Tennessee)  
*Field of Specialization*: Education
- John Arnold Miller, Queens, N. Y.  
B.A. (City College, New York)  
*Field of Specialization*: Psychology
- Mary Jane Miller, Glenshaw, Pa.  
A.B. (Grove City College,  
Pennsylvania)  
*Field of Specialization*: Education
- Robert Henry Miller, Jr., Columbus  
B.S.  
*Field of Specialization*: Linguistics
- Santiago Agustin Miraglia,  
Tucumán, Argentina  
Licenciatura en Economía  
(Universidad Nacional de Tucumán)  
*Field of Specialization*: Economics
- John William Mondell, Jr., Columbus  
B.S. (Findlay College)  
*Field of Specialization*: Physical  
Education
- Kathleen Maria Montag, Columbus  
B.A. (Edgecliff College)  
*Field of Specialization*: Sociology
- Thomas Wallace Morgan,  
Silver Bay, Minn.  
B.A. (University of Minnesota at  
Duluth); B.A. (University of  
Minnesota at Minneapolis)  
*Field of Specialization*: Slavic  
Languages and Literatures
- Dorothy Lemberger Morris,  
Worthington  
B.S.Ed.  
*Field of Specialization*:  
Communication
- Charles Norman Morse, Columbus  
B.S. (Butler University)  
*Field of Specialization*: Journalism

- Gerald Patrick Mulderig,  
Kingston, Pa.  
B.A. (University of Scranton)  
*Field of Specialization:* English
- Katherine Kingsbury Mullen,  
Columbus  
B.S.Ed.  
*Field of Specialization:*  
Communication
- Richard Charles Murray, Columbus  
B.A. (Indiana University of  
Pennsylvania)  
*Field of Specialization:*  
Political Science
- John Earl Myers, Jr., Columbus  
B.A. (Muskingum College)  
*Field of Specialization:* Sociology
- Tin-Fook Thomas Ng,  
Macau, Hong Kong  
Diploma (Salesian College); B.A.  
(Hwa Kiu College); Assoc.Mus.  
(Trinity College of Music)  
*Field of Specialization:* Music
- Elvy Setterqvist O'Brien, Springfield  
B.A. (Wittenberg University)  
*Field of Specialization:*  
History of Art
- Lawrence Okey Onyejekwe,  
Onitsha, Nigeria  
B.A. (University of Nigeria); M.A.  
*Field of Specialization:*  
Political Science
- Carl Joseph Oslund, Lyndhurst  
B.F.A.  
*Field of Specialization:* Industrial  
Design
- Pasqual Joseph Pantone,  
Pittsburgh, Pa.  
B.A. (Pennsylvania State University)  
*Field of Specialization:* Psychology
- James William Parker, Columbus  
B.S.Ed.  
*Field of Specialization:* Education
- Mollyanne Ream Parsons, Columbus  
B.S.Nurs.  
*Field of Specialization:* Health  
Education (Physical Education)
- Phillip Eugene Paxton, Bellefontaine  
B.S.Ed.  
*Field of Specialization:* Education
- Ralph Adrian Perkins, Reynoldsburg  
B.S.Ed.  
*Field of Specialization:* Education
- Jay Michael Pollack, Columbus  
B.S. (Massachusetts Institute of  
Technology)  
*Field of Specialization:* Linguistics
- Cherry Darby Pyron, Memphis, Tenn.  
B.A. (Lambuth College)  
*Field of Specialization:* Journalism
- M. Margaret Raines, Columbus  
A.B. (Middlebury College)  
*Field of Specialization:* Education
- Dolores Alexander Randolph,  
Columbus  
B.S.Ed.  
*Field of Specialization:*  
Communication
- Mark Stanley Rea, Avon Lake  
B.A.  
*Field of Specialization:* Psychology
- Toni Tripp Reimer, Columbus  
B.S.Nurs. (University of Maryland);  
M.S.  
*Field of Specialization:* Anthropology
- Jeffrey Paul Richetto, Warren  
B.A.  
*Field of Specialization:* Geography
- Victoria Jeanne Ridge, Erie, Pa.  
B.S.Ed. (Edinboro State College)  
*Field of Specialization:* Education
- Daniel Nicholas Riesenber,  
Silver Spring, Md.  
B.A. (Brown University)  
*Field of Specialization:* Anthropology
- Michael David Roadruck, Coshocton  
B.S.Ed.  
*Field of Specialization:* Education
- John Bruce Robinson, Loveland  
A.B. (Ohio University)  
*Field of Specialization:* History
- Kathleen Ann Roetzel, Adrian, Minn.  
B.S. (Mankato State College)  
*Field of Specialization:* Anthropology
- Jon William Rohal, Columbus  
B.S.Ed.  
*Field of Specialization:* Physical  
Education
- Dean Kahn Rothschild, Munster, Ind.  
B.S. in Bus. (Indiana University)  
*Field of Specialization:* Business  
Administration
- Renee Kunowitz Sandell,  
New York, N. Y.  
B.A. (City College, New York)  
*Field of Specialization:* Art  
Education
- Mary Bower Schladen, Columbus  
B.F.A.  
*Field of Specialization:* Physical  
Education
- Mary Jean Pauck Schulte, Columbus  
B.A. (Cornell College)  
*Field of Specialization:* Journalism
- William Allen Schwab, Hamilton  
B.A. (Miami University); M.A.  
(University of Akron)  
*Field of Specialization:* Sociology
- Patrocinio P. Schweickart, Columbus  
B.S.Ch.E. (University of the  
Philippines); M.Ch.E., M.A.  
(University of Virginia)  
*Field of Specialization:* English
- James Sewastynowicz, Buffalo, N. Y.  
B.A. (State University of New York  
at Buffalo)  
*Field of Specialization:* Anthropology
- Sanford Jay Siegel, Cleveland Heights  
B.A. (Miami University)  
*Field of Specialization:* Anthropology
- Joseph Ray Sigg, Antwerp  
B.A. (Ohio Northern University)  
*Field of Specialization:* Public  
Administration
- Harriet Hewes Smetters, Columbus  
B.S. in Med.Tech.  
*Field of Specialization:* Education
- Kiyoko Higuchi Sohmiya,  
Ibigawa Cho, Japan  
B.A. (Tokyo University)  
*Field of Specialization:* Linguistics
- Sara Jayne Steen, Marion  
B.S. (Bowling Green State  
University)  
*Field of Specialization:* English
- Judith DiIorio Steigerwalt,  
Wilmington, Del.  
B.A. (University of Delaware)  
*Field of Specialization:* Sociology
- David Richter Stevenson, Norfolk, Va.  
B.A. (Norfolk State College)  
*Field of Specialization:* Anthropology
- John Stephen St. Jules, Aurora, Ill.  
B.A. (Northern Illinois University)  
*Field of Specialization:* English
- Cristina Sofia Stone, Columbus  
B.A. (University of Nevada); M.A.  
*Field of Specialization:* English
- Marilyn Little Tall, Dayton  
B.S.Ed. (Central State University)  
*Field of Specialization:* Education
- Gary Alan Tame, Cleveland  
B.A. (Case Western Reserve  
University)  
*Field of Specialization:* Public  
Administration

Paul Teverow, Providence, R. I.  
B.A. (Case Western Reserve  
University)  
*Field of Specialization: History*

Dennis Neal Thompson, Youngstown  
A.B. (Youngstown State University)  
*Field of Specialization: Psychology*

Kathleen Harris Thompson,  
Bluefield, Va.  
B.S. (Bluefield State College)  
*Field of Specialization: Education*

Ray Wallace Thorburn,  
Palmerston North, New Zealand  
D.F.A. (University of Auckland);  
D.F.A. (Honors) (University of  
New Zealand)  
*Field of Specialization: Art Education*

Linda Rose Thornburg,  
Anderson, Ind.  
B.A. (Anderson College)  
*Field of Specialization:  
Communication*

Edmund Lloyd Tober, Columbus  
B.A. (Capital University)  
*Field of Specialization: Education*

Sidney Allen Townsend, Reynoldsburg  
B.S.Ed.  
*Field of Specialization: Music*

Robert Michael Traugh, Columbus  
B.A. (Michigan State University)  
*Field of Specialization: Education*

David Merrill Treadwell, Columbus  
B.A.  
*Field of Specialization: Journalism*

Barbara Wilson Trent, Grove City  
B.S.Ed.  
*Field of Specialization: Education*

Dorothy Dewilla Turnbo, Columbus  
B.S.Ed.  
*Field of Specialization: Education*

Richard Cannon Turnbo, Columbus  
B.S.Ed.  
*Field of Specialization: Education*

Virginia Grace Tuttle, Convent, N. J.  
B.A. (University of Arizona)  
*Field of Specialization: History of  
Art*

Luke Uka Uche, Swannanoa, N. C.  
B.A. (Warren Wilson College)  
*Field of Specialization: Journalism*

Barbara Lynn Van Netta,  
Greenville, N. C.  
B.S. (East Carolina College)  
*Field of Specialization: History of  
Art*

Anne Darling Van Tine, Columbus  
B.A. (Northern Illinois University)  
*Field of Specialization: History*

Diane Caskey Vaughan, Columbus  
B.A.  
*Field of Specialization: Sociology*

Mary Tomlinson Wagner, Columbus  
B.S.Ed.  
*Field of Specialization: Education*

Judy Phyllis Weisfeld,  
Wyndmoor, Pa.  
B.A. (George Washington  
University)  
*Field of Specialization: Education*

David Mitchell Willis, Meigs, Ga.  
B.A. (Mercer University)  
*Field of Specialization: English*

William Budd Wilt, Dayton  
B.S.Ed.  
*Field of Specialization: Education*

Michael Wisnyai, Ashtabula  
B.A. (Wittenberg University)  
*Field of Specialization: Health  
Education (Physical Education)*

Krystine Batcho Yaworsky,  
McAdoo, Pa.  
B.A. (College Misericordia)  
*Field of Specialization: Psychology*

Linda Lynn Zacharias, Columbus  
B.A. (Capital University)  
*Field of Specialization: Education*

John Charles Zimbeck, Columbus  
B.S. (University of Utah)  
*Field of Specialization: Psychology*

#### **Master of Business Administration**

Eighteen candidates

Robert Richard Bartunek, Beachwood  
B.S. (Bucknell University)  
*Field of Specialization: Business  
Administration*

Alexander Paul Dadas, Columbus  
B.E.E. (Cleveland State University)  
*Field of Specialization: Business  
Administration*

Billy Harper Draffen, Xenia  
B.S. (Purdue University)  
*Field of Specialization: Business  
Administration*

David Goodwin Fish, Rayland  
B.S.Bus.Ad.  
*Field of Specialization: Business  
Administration*

David Carley Fontana, Columbus  
B.S.Bus.Ad.  
*Field of Specialization: Business  
Administration*

David Leonard Geib, Columbus  
B.S.Bus.Ad.  
*Field of Specialization: Business  
Administration*

Robert Neil Johnson, Troy  
B.B.A. (University of Cincinnati)  
*Field of Specialization: Business  
Administration*

Gary Wayne Kay, Berea  
B.A.  
*Field of Specialization: Business  
Administration*

YuhRyun Kim, Ravenna  
B.B.A. (Kent State University)  
*Field of Specialization: Business  
Administration*

Rolland Dean King, Cairo  
B.S. (Otterbein College)  
*Field of Specialization: Business  
Administration*

John Joseph Maher, Fairborn  
B.B.A. (University of Notre Dame);  
M.S.  
*Field of Specialization: Business  
Administration*

Joseph William Marotta, Brook Park  
B.S.Bus.Ad.  
*Field of Specialization: Business  
Administration*

William Math, Sabah, Malaysia  
Assoc.Dpl.Acctng. (Queensland  
Institute of Technology, Australia)  
*Field of Specialization: Business  
Administration*

Roger Elliot Mennell, Rocky River  
A.B. (Harvard University)  
*Field of Specialization: Business  
Administration*

Norman Allen Nieminen, Geneva  
B.S.Bus.Ad.  
*Field of Specialization: Business  
Administration*

John Thomas Patterson, Columbus  
B.S.Bus.Adm.  
*Field of Specialization: Business Administration*

Carter Evan Siegfried, Columbus  
B.S. (Lafayette College)  
*Field of Specialization: Business Administration*

Yuk Dan Wong, Norwood  
B.S. Ind. Des.  
*Field of Specialization: Business Administration*

#### Master of City Planning

Four candidates

Edwin Herman Goucher, Oil City, Pa.  
B.A. (Indiana University of Pennsylvania)  
*Field of Specialization: City and Regional Planning*

Steven Lawrence Heiser, Beachwood  
B.A. (Swarthmore College); M.A.  
*Field of Specialization: City and Regional Planning*

Jack Peter Hoogeveen,  
Toronto, Ont., Canada  
B.A. (Bowling Green State University)  
*Field of Specialization: City and Regional Planning*

William Cyrus Zeller, Greenville  
B.S. (Findlay College)  
*Field of Specialization: City and Regional Planning*

#### Master of Fine Arts

Four candidates

Christopher Mark Dayman,  
Woodstock, Vt.  
B.F.A. (Carnegie-Mellon University)  
*Field of Specialization: Art*

Mary Ann Hale, Worthington  
B.Art Ed.  
*Field of Specialization: Art*

Jeanne Edmonds Otis, Granville  
B.A. (DePauw University);  
B.F.A. (Denison University)  
*Field of Specialization: Art*

Barbara Harmer Tipton, Columbus  
B.A. (Memphis State University);  
B.F.A. (Memphis Academy of Arts)  
*Field of Specialization: Art*

#### Master of Music

One candidate

Coyt Carroll, Jr., Circleville  
B.A. (Malone College)  
*Field of Specialization: Music*

#### Master of Science

One hundred and sixty-seven candidates

Christine Bitzinger Aab, Spencerville  
B.S.Nurs.  
*Field of Specialization: Nursing*

Riadh Abdul-Latif Ahmad,  
Baghdad, Iraq  
B.Sc.Agr. (Mosul University)  
*Field of Specialization: Agronomy*

Kadir Ramazan Ahre,  
Istanbul, Turkey  
B.S. (Massachusetts Institute of Technology)  
*Field of Specialization: Mathematics*

Patricia Geitgey Allen, Seville  
B.S.Nurs.  
*Field of Specialization: Nursing*

Randall Ray Anderson,  
Stockton, Calif.  
B.S. (California Polytechnic State University)  
*Field of Specialization: Welding Engineering*

Roland Jackson Anderson,  
Hanahan, S. C.  
B.S. (University of South Carolina)  
*Field of Specialization: Biophysics*

David Delbert Andree, Norman, Okla.  
B.S. (University of Oklahoma)  
*Field of Specialization: Computer and Information Science*

Joseph A. Andrezik, Detroit, Mich.  
B.S. (Wayne State University)  
*Field of Specialization: Anatomy*

Robert Roe Ashmead, Columbus  
B.S.  
*Field of Specialization: Zoology*

William Andrew Baeslack, III,  
Seven Hills  
B.S.W.E.  
*Field of Specialization: Welding Engineering*

Mirza Mohammed Sultan Baig,  
Hyderabad, India  
B.Sc.Ag. (Andhra Pradesh Agricultural University)  
*Field of Specialization: Agronomy*

Benjy Joseph Baker, Brooklyn, N. Y.  
B.S. (Pennsylvania State University)  
*Field of Specialization: Computer and Information Science*

Ralph Emil Barrera, Dayton  
B.S.E.E.  
*Field of Specialization: Electrical Engineering*

William Crane Beattie, Columbus  
B.S.Nat.Res.  
*Field of Specialization: Natural Resources*

Steve Matthew Benner, Columbus  
B.S.Ch.E.  
*Field of Specialization: Chemical Engineering*

David Allison Biddle, Zion, Ill.  
B.S. (Northern Illinois University)  
*Field of Specialization: Welding Engineering*

John Edward Bilikam, Columbus  
B.I.E., M.S.  
*Field of Specialization: Statistics*

Steven Robert Billiar, Columbus  
B.S.Nat.Res.  
*Field of Specialization: Natural Resources*

Robert Scott Blancett, Zanesville  
B.S.M.E.  
*Field of Specialization: Mechanical Engineering*

Norman Kenneth Bodenstein,  
Forest Hills, N. Y.  
B.S. (Polytechnic Institute of Brooklyn)  
*Field of Specialization: Industrial and Systems Engineering*

Joseph Paul Brown, Fredericktown  
B.S.Agr.  
*Field of Specialization: Agricultural Education*

Leland Eugene Brown, Middleport  
B.A.  
*Field of Specialization: Statistics*

Bene Gustavo Bultron-Moscoso,  
Panama, Panama  
B.E. (University of Puerto Rico)  
*Field of Specialization: Civil  
Engineering*

Robert William Burdick, Columbus  
B.S.Pharm.  
*Field of Specialization: Pharmacy*

Linda Lou Burianek, Independence  
B.A. (Wittenberg University)  
*Field of Specialization: Microbiology*

Cheryl Kelley Byrnes, Akron  
B.S.Nurs. (University of Cincinnati)  
*Field of Specialization: Nursing*

Richard Kenneth Carlisle, Columbus  
B.S. (Miami University)  
*Field of Specialization: Natural  
Resources*

Yan-Syi Jessica Chang,  
Taipei, Taiwan  
B.S. (Fu-Jen Catholic University)  
*Field of Specialization: Home  
Economics*

Ronald Curtis Chatfield, Columbus  
D.V.M.  
*Field of Specialization: Veterinary  
Physiology and Pharmacology*

Tu-Ting Cheng, Republic of China  
B.S. (National Taiwan University);  
M.S. (University of Wisconsin)  
*Field of Specialization: Computer and  
Information Science*

Inn Gui Choi, Seoul, Korea  
B.E. (Hanyang University)  
*Field of Specialization: Mechanical  
Engineering*

Emanuel Christie, St. Ann, Jamaica  
Diploma (Jamaica School of  
Agriculture); B.S. (Tuskegee  
Institute)  
*Field of Specialization: Zoology*

Shang-Cheng Chyou, Taipei, Taiwan  
B.Sc. (National Taiwan Normal  
University)  
*Field of Specialization: Mathematics*

Mercedes Abel Collier, Ironton  
B.A.  
*Field of Specialization: Preventive  
Medicine*

Susan Marie Collins, Dennison  
B.A. (Ohio Dominican College)  
*Field of Specialization: Mathematics*

Christopher Marsh Copeland,  
Columbus  
B.A. (Ohio Wesleyan University)  
*Field of Specialization: Zoology*

Patsy Miller Crowell, Columbus  
B.S. (Virginia Polytechnic Institute)  
*Field of Specialization: Home  
Economics*

Robert Alan Culbertson, Columbus  
B.S. (United States Air Force  
Academy)  
*Field of Specialization: Computer  
and Information Science*

Linda Marie Curran, Cincinnati  
B.S.Ch.E.  
*Field of Specialization: Chemical  
Engineering*

Gary James Daichendt, Poland  
A.B. (Youngstown State University)  
*Field of Specialization: Mathematics*

Dean Gerald Damin, Ebensburg, Pa.  
B.S. (Pennsylvania State University)  
*Field of Specialization: Metallurgical  
Engineering*

James Christopher Dando,  
Burnsville, Minn.  
B.S. (San Jose State College)  
*Field of Specialization: Industrial and  
Systems Engineering*

Candice Lou Danford, Columbus  
B.S.  
*Field of Specialization: Microbiology*

Karen Ortlip Daugherty, Columbus  
B.A. (Houghton College);  
B.S. (Columbia University)  
*Field of Specialization: Nursing*

Donald David Derry, Galion  
B.S. (John Carroll University)  
*Field of Specialization: Computer  
and Information Science*

Maria Celia DiBenedetto,  
Providence, R. I.  
B.A.  
*Field of Specialization: Home  
Economics*

Nancy Koho Draffen, Xenia  
B.S. (Purdue University)  
*Field of Specialization: Home  
Economics*

Roger Robert Dush, Fairfield  
B.S.Food Tech.  
*Field of Specialization: Horticulture*

Susan Wolf Evans, North Canton  
B.S. (Heidelberg College)  
*Field of Specialization: Microbiology*

Israel Myer Finger, Columbus  
B.D.S. (University of Witwatersrand,  
South Africa)  
*Field of Specialization: Dentistry*

Glenn Nelson Fischer, Dayton  
B.W.E.  
*Field of Specialization: Welding  
Engineering*

Leslie Stuart Fishler, Brooklyn, N. Y.  
B.S. (Polytechnic Institute of  
Brooklyn)  
*Field of Specialization: Chemical  
Engineering*

Connie Ferkin Fitzpatrick, Columbus  
B.S.Bus.Adm. (University of  
Montana)  
*Field of Specialization: Home  
Economics*

Hiram Raymond Fry, Dunkirk, Ind.  
B.S. (University of Idaho);  
D.D.S. (Washington University)  
*Field of Specialization: Dentistry*

Tai-Gi Wang Fu, Taipei, Taiwan  
B.S. (National Taiwan University);  
M.S. (University of Wisconsin)  
*Field of Specialization: Chemistry*

Kenneth Victor Gephart,  
West Carrollton  
B.E. (Vanderbilt University)  
*Field of Specialization: Civil  
Engineering*

Dennis Lee Gierhart, Columbus  
B.S.Food Tech.  
*Field of Specialization: Horticulture*

Ilyne Elisa Glatt, Whittier, Calif.  
B.S. (University of California at  
Davis)  
*Field of Specialization: Home  
Economics*

Katherine Boebel Green, Columbus  
B.S.Nurs. (Capital University)  
*Field of Specialization: Nursing*

Candace Johnson Greenup, Columbus  
B.S. Med. Tech.  
*Field of Specialization: Pathology*

Donn William Griffith, Dublin  
B.S.; D.V.M. (Purdue University)  
*Field of Specialization: Veterinary  
Preventive Medicine*

- Danny Louis Gunselman, Columbus  
B.A.  
*Field of Specialization:* Preventive  
Medicine
- Shirley Kay Herwick Gutermuth,  
Marion  
B.S. (University of Pittsburgh)  
*Field of Specialization:* Nursing
- Wayne Paul Haas, Euclid  
B.S.Agr.  
*Field of Specialization:* Poultry  
Science
- Monroe Eugene Harbage, Grove City  
B.S.Agr.  
*Field of Specialization:* Agricultural  
Education
- Carl Alan Hardzinski,  
Park Falls, Wis.  
B.S. (University of Wisconsin)  
*Field of Specialization:* Natural  
Resources
- Dale Lyndon Hipplewith,  
Brooklyn, N. Y.  
B.S. (Hunter College)  
*Field of Specialization:* Computer and  
Information Science
- William Michael Hockman,  
Canal Winchester  
B.S.Agr., D.V.M.  
*Field of Specialization:* Veterinary  
Preventive Medicine
- Robert Dale Hoffman, Mason, Mich.  
B.S. (Michigan State University)  
*Field of Specialization:* Zoology
- Robert Frederick Houk, Norton  
B.C.E.; M.B.A. (University of  
Akron)  
*Field of Specialization:* Civil  
Engineering
- Robert Lee Houston, Heath  
B.S. (Purdue University)  
*Field of Specialization:* Mechanical  
Engineering
- Kathleen Ann Hruschak, Cleveland  
B.A. (Ohio Wesleyan University)  
*Field of Specialization:* Developmental  
Biology
- Jing-Song Jang, Tainan, Taiwan  
B.S. (National Tsing Hua University)  
*Field of Specialization:* Mathematics
- Robert Lawrence Jenkins, III,  
Youngstown  
B.A. (Baldwin-Wallace College)  
*Field of Specialization:* Agricultural  
Economics and Rural Sociology
- Gerald Bruce Jones, New Philadelphia  
B.S.  
*Field of Specialization:* Zoology
- Ralph Kenton Jordan, Fredericktown  
B.S.Agr.  
*Field of Specialization:* Agricultural  
Education
- Neal Eduard Kaffen, Columbus  
B.S.C.I.S.  
*Field of Specialization:* Computer and  
Information Science
- Sulaeman Kamil, Bogor, Indonesia  
Sardjana (Bandung Institute of  
Technology)  
*Field of Specialization:* Mechanical  
Engineering
- Steven Mark Klayman, Dayton  
D.D.S.  
*Field of Specialization:* Dentistry
- Richard Aquinas Knuff, Mentor  
B.S.M.E.  
*Field of Specialization:* Mechanical  
Engineering
- Ker-I Ko, Taipei, Taiwan  
B.S. (National Tsing Hua University)  
*Field of Specialization:* Mathematics
- Randal Michael Koteles, Barberton  
B.S.Agr.  
*Field of Specialization:* Poultry  
Science
- Jeffrey Neath Krabill, Wadsworth  
B.A. (College of Wooster)  
*Field of Specialization:* Pharmacy
- Inese Neiders Kreinbring, Westerville  
B.S.  
*Field of Specialization:* Home  
Economics
- Larry Judson Kuhns, Denver, Colo.  
B.S. (Pennsylvania State University)  
*Field of Specialization:* Horticulture
- Sister Barbara Kupchak,  
Wheeling, W. Va.  
B.S.Nurs. (Loyola University)  
*Field of Specialization:* Nursing
- David Norval Lamphere,  
Arkansaw, Wis.  
D.V.M. (University of Minnesota)  
*Field of Specialization:* Veterinary  
Preventive Medicine
- John Brandeau Landgraf,  
Cleveland Heights  
B.S. (United States Military  
Academy)  
*Field of Specialization:* Industrial  
and Systems Engineering
- Regina Rose Lansing, Orange, N. J.  
B.A. (University of Rochester)  
*Field of Specialization:* Anatomy
- Robert Benjamin Levy,  
Philadelphia, Pa.  
B.S. (Muhlenberg College)  
*Field of Specialization:* Anatomy
- Richard John Lichtkoppler,  
Cincinnati  
B.S.Bus.Adm.  
*Field of Specialization:* Natural  
Resources
- Eugene Leo Liening, Yorkshire  
B.S.Met.E.  
*Field of Specialization:* Metallurgical  
Engineering
- Shirley Frith Lindsay, Columbus  
B.S. (Northwestern University)  
*Field of Specialization:* Zoology
- Ming-Ru Liu, Taipei, Taiwan  
B.Sc. (National Taiwan Normal  
University); M.S.  
*Field of Specialization:* Statistics
- Arthur Travis Lovelace,  
Los Angeles, Calif.  
B.A. (California State College)  
*Field of Specialization:* Computer and  
Information Science
- Lai-Ming Ma, Kowloon, Hong Kong  
B.S. (University of Wisconsin)  
*Field of Specialization:* Computer and  
Information Science
- Michael Wen-Hsiung Mao, Springfield  
B.Sc. (National Taiwan Normal  
University)  
*Field of Specialization:* Microbiology
- James Lynn Martin, Springfield  
B.S.C.E.  
*Field of Specialization:* Civil  
Engineering
- Grant Carl Meloeik, Chardon  
B.S.E.E.  
*Field of Specialization:* Electrical  
Engineering
- Dean Scott Metsger, Jr.,  
Detroit, Mich.  
B.A. (John Brown University)  
*Field of Specialization:* Chemistry
- Michael Zane Miasnik, Brooklyn, N. Y.  
B.S. (Columbia University)  
*Field of Specialization:* Pharmacy
- David Vernon Miller, Lisbon  
B.S.  
*Field of Specialization:* Aeronautical  
and Astronautical Engineering

Diane Mioduszewski, Toledo  
B.S. in Nurs. (Saint Louis  
University)  
*Field of Specialization: Nursing*

Abdallahi Ibrahim Mohamed,  
Athara, Sudan  
B.Sc. (University of Khartoum)  
*Field of Specialization: Horticulture*

Roger Fisher Moury, Lancaster  
B.S.Agr.  
*Field of Specialization: Natural  
Resources*

Sead Muftić, Sarajevo, Yugoslavia  
Diploma (University of Sarajevo)  
*Field of Specialization: Computer and  
Information Science*

Cheng-Jen Nee, Nantou, Taiwan  
B.S. (National Taiwan University)  
*Field of Specialization: Computer and  
Information Science*

Robert Henry Nimitz, Portsmouth  
B.Ch.E.  
*Field of Specialization: Chemical  
Engineering*

Ellen Agnes O'Laughlin,  
Scottdale, Pa.  
B.S. (Ohio Dominican College)  
*Field of Specialization: Genetics*

Maan Mohammed Osman, Columbus  
B.Sc. (Cairo University, Egypt)  
*Field of Specialization: Poultry  
Science*

Leon G. Palmer, Exeter, Calif.  
B.A. (University of California at Los  
Angeles)  
*Field of Specialization: Astronomy*

Keon Yang Park, Pusan, Korea  
B.E. (Hanyang University)  
*Field of Specialization: Chemical  
Engineering*

James Duncan Pirie, Columbus  
B.S.  
*Field of Specialization: Microbiology*

Patricia Moore Pitts, Canton  
B.S. (University of Akron)  
*Field of Specialization: Astronomy*

Arome Pongpan, Bangkok, Thailand  
B.S. (Indiana State University)  
*Field of Specialization: Microbiology*

Betty Cox Potts, Columbus  
B.S.H.E.  
*Field of Specialization: Home  
Economics*

Henry Richard Povolny, Columbus  
B.S.  
*Field of Specialization: Physics*

Roy Lee Price, II, Bryan, Tex.  
B.S. (Texas Agricultural and  
Mechanical University)  
*Field of Specialization: Animal  
Science*

Angela Margarita Pumarada,  
Santurce, Puerto Rico  
B.S. (University of Puerto Rico)  
*Field of Specialization: Computer and  
Information Science*

Frederick Kalb Ray, Tipp City  
B.S.Agr.  
*Field of Specialization: Animal  
Science*

Kenneth Gene Reich, Brooklyn, N. Y.  
B.A. (Brooklyn College)  
*Field of Specialization: Computer  
and Information Science*

Lavon Allen Riegel, New Paris  
B.S.Agr.E.  
*Field of Specialization: Horticulture*

Paula Sue Roberts, Columbus  
B.S.Ed.  
*Field of Specialization: Computer  
and Information Science*

Sidney C. Roberts, Jr., Columbus  
B.S., D.D.S. (University of  
Tennessee)  
*Field of Specialization: Dentistry*

\*Glen Edgar Ruttencutter, Cincinnati  
*Field of Specialization: Horticulture*

James Edward Sanders, Columbus  
B.S.  
*Field of Specialization: Pharmacy*

Frederick William Sandrock, III,  
Circleville  
B.S.Agr.  
*Field of Specialization: Agricultural  
Education*

Laura Luedemann Scharer, Columbus  
B.S.  
*Field of Specialization: Computer  
and Information Science*

Jerome Urban Schmiesing, Dayton  
B.I.E. (University of Dayton)  
*Field of Specialization: Industrial  
and Systems Engineering*

Jacqueline Fay Schrader, Columbus  
B.S.Ed.  
*Field of Specialization: Natural  
Resources*

David Alfred Scoles, Bluffton  
B.S.Agr.  
*Field of Specialization: Agricultural  
Economics and Rural Sociology*

Nelson Ross Shaffer, Columbus  
B.S.  
*Field of Specialization: Geology and  
Mineralogy*

Conrad Frank Shiba, Westlake  
B.S. (Michigan State University)  
*Field of Specialization: Chemistry*

Jay Warren Shutt, Ohio City  
B.S.Agr.E.  
*Field of Specialization: Agricultural  
Engineering*

Kenneth Dean Simeral, Caldwell  
B.S.Agr.  
*Field of Specialization: Agricultural  
Education*

Steven Arnold Spindel,  
Rosedale, N. Y.  
B.S. (Syracuse University)  
*Field of Specialization: Computer  
and Information Science*

Carolyn Aker Sqrow, Columbus  
B.S.H.E.  
*Field of Specialization: Home  
Economics*

Virginia Wai-Ki Sun,  
Kowloon, Hong Kong  
B.S. (University of Houston)  
*Field of Specialization: Computer  
and Information Science*

Wibowo M. H. Surjowidjojo,  
Bandung, Indonesia  
Sardjana Teknik (Bandung Institute of  
Technology)  
*Field of Specialization: Chemical  
Engineering*

Gerald Masaji Takasaki,  
Hakalau, Hawaii  
B.S.E.E.  
*Field of Specialization: Electrical  
Engineering*

Gary Benjamin Tatterson,  
Pittsburgh, Pa.  
B.S. (University of Pittsburgh)  
*Field of Specialization: Chemical  
Engineering*

Paul Arthur Tews, Columbus  
B.S.W.E.  
*Field of Specialization: Welding  
Engineering*

John Alex Tkatschenko, Columbus  
B.A., B.S.Agr.  
*Field of Specialization: Agronomy*

\* Also Bachelor of Science in Agriculture,  
College of Agriculture and Home Economics

Joseph Michael Towarnicky,  
Lakewood  
B.A. (Northwestern University)  
*Field of Specialization: Chemistry*

Lynda George Treat, Wooster  
B.S.  
*Field of Specialization: Genetics*

Robert Karl Troutman, Springfield  
B.S.Agr.  
*Field of Specialization: Natural Resources*

Ji-Hsiung Tsai, Taichong, Taiwan  
B.S. (Fu-Jen Catholic University)  
*Field of Specialization: Chemistry*

Dorothy Briggs Turner, Columbus  
B.S. in Nurs. (Florida State University)  
*Field of Specialization: Nursing*

Joseph Rufus Turner, III, Westerville  
B.E.S. (Marshall University)  
*Field of Specialization: Civil Engineering*

Richard J. Uriarte,  
North Bellmore, N. Y.  
B.S. (State University of New York College at Oneonta)  
*Field of Specialization: Chemistry*

Elaine Ross Utley, Cincinnati  
B.S. in Occ. Ther.  
*Field of Specialization: Allied Medical Professions*

Paul van Diemen, Westfield, Mass.  
B.S. (Lowell Technological Institute)  
*Field of Specialization: Nuclear Engineering*

Mary Ann Vaughan, Bucyrus  
B.S.Ed.  
*Field of Specialization: Home Economics*

James Charles Weaver, Dublin  
B.S. (Miami University)  
*Field of Specialization: Natural Resources*

Steven Elmer Weismantel, Cincinnati  
B.S. (University of Massachusetts)  
*Field of Specialization: Mechanical Engineering*

Nancy Carol Wexler, Cincinnati  
B.A., B.S. (Case Western Reserve University)  
*Field of Specialization: Nursing*

Mary Lippert Wilde, Columbus  
B.S.Occ. Ther.  
*Field of Specialization: Allied Medical Professions*

Mary Delois Wilder, Aliceville, Ala.  
B.S.Nurs. (Tuskegee Institute)  
*Field of Specialization: Nursing*

Gary Eugene Wilkinson, Columbus  
B.S. (Heidelberg College)  
*Field of Specialization: Dairy Science*

David George Willey,  
Birmingham, England  
B.Sc. (University of Birmingham)  
*Field of Specialization: Physics*

Lois Ann Woltz, Waverly  
B.S.H.E.  
*Field of Specialization: Home Economics*

Patrick Man-Kwong Wong,  
Kowloon, Hong Kong  
B.Sc. (University of New Hampshire)  
*Field of Specialization: Computer and Information Science*

John Kenneth Wood, Toledo  
B.S.M.E. (University of Toledo)  
*Field of Specialization: Nuclear Engineering*

Richard Anthony Woodard, Dayton  
B.S. (United States Air Force Academy)  
*Field of Specialization: Industrial and Systems Engineering*

Judson Rudolph Wynkoop, II,  
Canal Winchester  
B.S. (Capital University)  
*Field of Specialization: Veterinary Physiology and Pharmacology*

Joanna Yee Yang, Kaoshiung, Taiwan  
B.Com. (National Cheng-Chi University)  
*Field of Specialization: Statistics*

Judith Ann Zack, Richmond Heights  
B.S.Nurs.  
*Field of Specialization: Nursing*



## Colleges of the Arts and Sciences

Chairman, Coordinating Council of Deans: Colin B. B. Bull  
Vice Provost for the Arts and Sciences: Thomas A. Willke

The Colleges of the Arts and Sciences, a federation of five colleges, includes:

### College of The Arts

Dean: Lee Rigsby

### College of Biological Sciences

Dean: Richard Bohning

### College of Humanities

Dean: Arthur E. Adams

### College of Mathematics and Physical Sciences

Dean: Colin B. B. Bull

### College of Social and Behavioral Sciences

Acting Dean: Edward C. McDonagh

Norman Otis Burmaster, Circleville  
Timothy James Callaghan, Mogadore  
Patrick Allan Dennis, Columbus  
Frederick Michael Dolovy, Youngstown  
Gladys Marylan Doudna, Barnesville  
Timothy Jay Erwin, Piqua  
James Aloysius Farrell, Columbus  
Susan Kathryn Ferrand, Marion  
Carol Lee Hall, Elyria  
Jacqueline Florette Hand, Gettysburg, Pa.  
Linda Sue Hemmelgarn, Burkettsville  
Celia Eleftherios Ipiotis, Dayton  
Benjamin Knepper, Columbus  
Regina Connor Lorms, Columbus  
Janet Ann Morrone, Columbus  
Laura Handley Randolph, Columbus  
Patricia Anne Scarry, Columbus  
Veronica Neuwirth Shavitt, Columbus  
Shelley Robin Stevens, Cincinnati  
Thomas Lynn Tilton, Columbus  
Kay Van Vreede Vasko, Columbus  
Arthur Charles Weeks, Norwalk  
Linda Tillett Weinkamer, Mantua  
Mehrbanou Zartoshty, Tehran, Iran

### Bachelor of Music Education Offered jointly by the College of The Arts and the College of Education

Sixteen candidates

Nicholas Anthony Calderone, Niles  
Robert William Carlson, Columbus  
Barry Ethan Farmer, Lakewood  
Margaret Sichler Foucht, Columbus  
Laurel Christina Franck, Columbus  
Lyall Orlyn Fulks, Piqua  
Marcy Vinocur Joublane, Cleveland Heights  
Irene June Klayman, Columbus  
David Charles Lyons, Columbus  
Sharon Wales McMichael, Nokesville, Va.  
Barbara Lynn Reed, Columbus  
Frederick Mark Roebke, Van Wert  
Karen Faye Schuttenberg, Toledo  
John Thomas Shook, Columbus  
Debra Kay Tuntevich, Whitehall  
Christine VonIns, Millersport

### Bachelor of Science in Industrial Design

Four candidates

James Gary Besst, Grove City  
Paula Christine Calori, Columbus  
Karen Williams Peterson, Columbus  
Richard Robert Sommer, Oak Harbor

## College of the Arts

Dean: Lee Rigsby

### Bachelor of Arts

Seven candidates

Frank Earl Arnett, Columbus  
Edward Robert Foster, Columbus  
Janice Gail Green, Canton  
Carole Jean Mikita, Steubenville  
David Charles Morgan, Columbus  
David Stephen Weisman, Akron  
Christine Ann Wittmann, Columbus

### Bachelor of Fine Arts

Twenty-nine candidates

David Orville Barber, Ottawa  
Laszlo Biris, Marion  
Susan Carol Breitsch, Euclid B.A.  
Gwendolyn Brisco, Columbus  
Gary Russell Brundage, Newark

### Bachelor of Art Education Offered jointly by the College of The Arts and the College of Education

Eight candidates

Mary Elizabeth Eusey, North Robinson  
Gail Meredith Fox, Lexington  
Alexander Lilburn, Columbus  
Vivian Rose Rowntree, Columbus B.F.A.  
Gail Ruth Setterfield, Cleveland  
Karen Gaines Siegall, Miami, Fla.  
Sarah Thomas, Dayton  
Marta Delnore Zeigler, Battle Creek, Mich. B.F.A.

## College of Biological Sciences

Dean: Richard Bohning

### Bachelor of Arts

Seventeen candidates

James Roy Agin, Columbus  
George John Apostolos, Canton B.S.  
Asa Coleman Davis, IV, Columbus  
Neil Ray Fosnaugh, Amanda  
Stephen Charles Glasgo, Loudonville  
Francine Amelia Guzman, Toledo  
Michael Derrill Hablitzel, Port Clinton  
Douglas William Kuenning, Lima

Gregg Alan Lowman, Kettering  
Jean Rachele Paquet, Louisville  
David William Shelton, Westerville  
Darryl Rex Smith, Cincinnati  
John Orville Sours, Bellefontaine  
Nicholas Raymond Spagnola,  
Campbell  
Wayne Daniel Traetow, Columbus  
Patrick Alan Ward, Columbus  
Philip Carlin Weimer, Columbus

#### **Bachelor of Science**

Fifty-five candidates

Richard Alan Abernethy, Painesville  
David Allan Baldrich, Portsmouth  
Jeannette Barnishan, Columbus  
Brian John Battersby, West Richfield  
Gary Michael Beretich, Columbus  
Neal Alan Blankenship,  
Clarks Summit, Pa.  
Delores Brown, Bessemer, Ala.  
Linda Carol Brown, Cleveland  
Jerrold Lee Burnfield, Warren  
Matthew Isaac Charms,  
Shaker Heights  
David Harry Chmielewski, Toledo  
Joel Barry Cornacoff, Clifton, N. J.  
Linda Dianne Cox, East Liverpool  
John William Davis, Cincinnati  
Kenneth John Dorian, Hilliard  
Pamela Inez Egelhoff, Thornville  
David Grafton Fanney, Euclid  
David Allen Fox, New Philadelphia  
Lynn Fulton, Indiana, Pa.  
Alma Lydia Garlo, Tiffin  
Gregory Brian Gassin, Columbus  
Susan Gail Gentry, Bay Village  
Charles Rice Gowing, Mansfield  
Bobby Edward Gray, Columbus  
Robert Michael Griffin, Columbus  
Douglas Mark Gudenkauf, Columbus  
B.A.  
Jane Carolyn Hatton, Novelty  
Carolyn Anne Hawkins, Columbus  
Patricia Ellen Hetrick, Fremont  
Laura Amelia Hirt, Fremont  
Robert Douglas Hume,  
Middleburg Heights  
Marianne Thomas Joseph, Columbus  
James Patrick Kessler, Columbus  
Jonathan Webb Kurtz, Circleville  
Stephen Earl Lamale, Lindsey  
William Preston Miller, Columbus  
Bruce Lynn Millward, Aurora  
Rebecca Jayne Moorman, Leipsic  
Edward Cotter Moser, Canton

Michael John Ondo, Dayton  
Gabriel Michael Paal, Bellaire  
Susan Therese Patronik, Toledo  
Lyn Dian Paulson, Columbus  
Cathy Lynette Perkins, Lima  
Robert Richard Poole, Westerville  
Randall Russell Precek, Shadyside  
Randy Alan Sansone, Westerville  
Steven Michael Schneider, Centerville  
Gregory Weybrecht Shreve, Alliance  
Peter Michael Subtelny, Cincinnati  
Keith Charles Swan, Tacoma, Wash.  
John Hedlund Wegman, Columbus  
Russell Monroe Worthington,  
Corfu, N. Y.  
Gary Peter Zamis, Monclova  
Janice Zunich, Amherst

#### **College of Humanities**

Dean: Arthur E. Adams

#### **Bachelor of Arts**

Ninety-two candidates

Betty Louise Andrus, Akron  
William James Arlow, Lorain  
Olga Bandriwska, Cleveland  
Deborah Louise Bartee, Marion  
Vivian Behrens, Baldwin, N. Y.  
Rosanne Betleski, Lorain  
David Michael Bonagura,  
Clifton, N. J.  
Richard Alan Boyer, Lima  
David Emde Brant, Wooster  
Eric Jay Burden, Columbus  
Andrew Robert Cahan, Akron  
Edmund Everett Carlton, Poland  
Sharon Rene Carros, Cleveland  
Joy Shaffner Carter, Springfield  
James Clay Coe, Lodi  
Katherine Mary Collinge, Millersburg  
William Francis Daniel, Shelby  
Barbara Ann Danku, Vincent  
Susan Marie Davis, Dayton  
William Earl Day, II, Columbus  
Yvonne Dorothy Delamater, Louisville  
Iris Virginia de la Motte,  
Worthington  
Darrell Dean Ditrick, Columbus  
David Charles Dulman,  
New Rochelle, N. Y.  
William Carl Dunkel, Jr., Canton  
Jane Rager Ewing, Columbus  
Christopher Louis Ey, Columbus

Sharon Camille Farmer,  
Washington, D. C.  
David Christian Fullen, Columbus  
Wilfrid Joseph Gallant, Columbus  
Sharon Alice Glover, Newark  
Alan Carroll Green, Marion  
William Thomas Griffin, Cincinnati  
Enid Elynn Griffith, Cincinnati  
Deborah Lynn Guerra,  
Bergenfield, N. J.  
Russell L. Hall, Bellefontaine  
John James Hartley, Waverly  
Rodney Lee Hasseman, Uhrichsville  
Robert Allen Heiser, Beachwood  
Joseph Dale Helmick, Columbus  
Edward Earl Hubbard, Cleveland  
Robert Bruce Jackson, Dayton  
Robert Alexander Kaplan,  
University Heights  
Richard Rodney Karcher, Kenton  
Judith Meyers Kennedy, Columbus  
Michael James King, Columbus  
Nancy Lee King, Chillicothe  
Kathie Joy Kinney, Lakeside  
Keena Barbara Kinsberg,  
Lakewood, N. J.  
Donna Lynne Klotz, Noblesville, Ind.  
Gary Jonathan Koch, Parma  
George William Lewis, Jr., Delaware  
Lois Ann McAdoo, Columbus  
Michele Kuecher McCullough,  
Uhrichsville  
Robin Story McKell, Chillicothe  
Roger Dean Mulkey, Findlay  
Charma Street Murphy, Columbus  
Thomas Joseph Nangle, Springfield  
Sherry Lynn Newman, Avon Lake  
\*Susan Burkhard Noble, Springfield  
Norman William O'Neil, Sylvania  
Christina Marie Ott, Avon Lake  
Denise Diane Pangborn, Columbus  
Thomas C. Pappas, Worthington  
\*Richard Anthony Pavlic, Columbus  
William John Piterans, Lakewood  
Walter Price Rhett, Jr.,  
Summerville, S. C.  
Alita Christine Rucker, Columbus  
Dennis Lee Rumer, Lima  
Joseph Michael Scholl, Columbus  
David Randall Shearer, Westerville  
Mark Raymond Simendinger, Lebanon  
Jack Arthur Simon, Euclid  
John Sidney Simpson, Mt. Vernon  
Arthur Fredrick Smith, Marion  
Barry Allen Smith, Hillsboro  
Megan Braley Smith, Columbus  
Veronica V. Smith, Columbus

\* Also Bachelor of Science in Education,  
College of Education

Clifford Meade St. Clair, Jr.,  
Columbus  
Brenda Jean Stearns, Columbus  
Frederick Thomas Stroock, Wooster  
Molly Sullivan, Columbus  
Tanya Maria Swails, Cleveland  
Otto Tennant, Jr., Columbus  
Craig Louis Tonjes, Waterville  
David Allen Trent, Grove City  
Linda Ann Tuomala, Ashtabula  
Barbara Louise Vaughn, Wooster  
Gregory Ethan Wasiloff, Amherst  
Robert Craig Weber, Columbus  
Ann Miller White, Columbus  
Kevin Andrew Work, Pleasant Hill

## College of Mathematics and Physical Sciences

Dean: Colin B. B. Bull

### Bachelor of Arts

Five candidates

Christopher Lee Berlin, Columbus  
David Fulton Camelford, Willoughby  
David Luke Casto, Columbus  
William Frederick Guenther, Aurora  
B.S.  
William Gary Neff, Lima

### Bachelor of Science

Twenty-three candidates

Cecil Douglas Applegate, Jr.,  
Hillsboro  
Wayne Dale Beckin, Euclid  
Kevin Robert Boyne, Wyoming  
Richard Alan Brown, Powell  
Eric Elton Clum, Hilliard  
Sharon Sue Davis, Columbus  
Paul Michael Dorinsky, Columbus  
Douglas Michael Dovenbarger,  
Worthington  
James Harold Gazda, Cleveland  
Wendy Diane Harshman, Cincinnati  
Philip Wesley Herb, Columbus  
David Robert Hopkins, Hubbard  
Walter Michael Karoly, Cleveland  
Frederick Michael Kist, Cincinnati  
Thomas Michael McAfee, Miamisburg  
Paul Alan Nagle, Dayton

Wayne Michael Peppercorn, Akron  
David Landis Pfister, Troy  
Edward Charles Snyder,  
Northport, N. Y.  
Frederick John Steenrod,  
Jackson Center  
Kevin Lyle Symonds, Lima  
James Bruce Tarpoff, Loveland  
Neal Alan Wallingford, Columbus

## College of Social and Behavioral Sciences

Acting Dean: Edward C. McDonagh

### Bachelor of Arts

One hundred and sixty-nine candidates

David Thomas Akers, Middletown  
Larry Lee Barker, Kettering  
Margaret Louise Batross, Columbus  
Erica L. Bengtson, Columbus  
Barbara Ann Blank, Euclid  
Craig Alan Borland, Sidney  
Patricia Ann Bresnahan, Cleveland  
Max Burstyn, South Euclid  
Barbara Lee Byerly, Columbus  
Dennis Eugene Byrd, Marion  
Leslie Louise Carroll, Columbus  
Thomas Randall Carroll, Fairborn  
Carol Cheney Cecutti, Columbus  
Drew Colin Chorpennig, Marietta  
Daniel Alan Chrimer, Ashville  
Rick Dean Cooper, Russells Point  
Debra Jean Crooks, Columbus  
James Marshall Daniels, Springfield  
Donald Lee Davis, Jr., Pickerington  
Mark Stephen Davis, Lakeview  
Donald David Diaz,  
Hastings-on-Hudson, N. Y.  
Judy Ann Disidore, Bangor, Pa.  
Jon Earl Ditmars, Columbus  
Marjorie Ann Doakes, Dayton  
Brian Patrick Donovan, Columbus  
Richard Allen Eblin, New Carlisle  
William Henry Erb, Jr., Middletown  
Nancy Maxine Eulberg,  
Des Moines, Ia.  
Gary Christopher Eyen, Cambridge  
Katherine Elizabeth Fay, Hiram  
Joseph John Ferla, Lynnfield, Mass.  
John Finamore, Brentwood, Tenn.  
Robert Newell Finney,  
Stoughton, Mass.

Harold Joseph Flammang, Jr.,  
Carrollton  
Joseph Paul Florio, Columbus  
Michael James Forgach, Youngstown  
Walter Lynn Fox, Newark  
Samuel Ira Franzel, New York, N. Y.  
Donn Craig Frazier, Dayton  
Lois Janine Freyer, Lima  
Vicki Lynn Gallina, Palatine, Ill.  
Michael Blaine Ganson, Columbus  
Linda Sue Garber, Dayton  
Mark Allan Garver, Urbana  
Donald Lee Geiger, St. Marys  
David Jeffrey Glimcher, Columbus  
Robert William Goldfarb, Cincinnati  
William Thomas Goslee, Bellefontaine  
Phillip John Gossman, Columbus  
Anna Sue Graham, Whitehall  
Charma Cannon Graul, Heath  
Jack Patrick Green, Wooster  
John Michael Griffith, Jr., Bay Village  
Richard Allen Griffith, Marion  
Frank Angelo Guglielmi, Columbus  
James Victor Handmacher, Dayton  
Carolyn Virginia Hansen,  
North Canton  
Linda Louise Harmon, Cotuit, Mass.  
Lynne Elizabeth Harwood, Springfield  
Teresa Renee Hazelwood, Dayton  
Stanley Joseph Herndon, Reading  
Lauren Sue Hirsch, Cleveland  
Donald Ross Holley, Lakewood  
Leanna L. Holmer, Dayton  
Terese Connerton Hudnell,  
Alexandria, Va.  
Jane Richards Huff, Columbus  
Steven William Hughes, Norwalk  
Douglas Bruce Hulbert, Columbus  
Steven Kelly Imm, Ottawa  
Georgia Booth Johnson, Kimbolton  
Gregory Keith Johnson, Cincinnati  
Eric Lee Johnston, Delaware  
Kurt William Jones, Zanerville  
Stephen Page Kahn, Cincinnati  
Munther Naim Kalaji,  
London, England  
Pamela Kalcik, Middleburg Heights  
John Richard Kasich,  
McKees Rocks, Pa.  
Kevin James Kelly, Columbus  
Jeremy Ann Kessel, Rocky River  
Dominique Joelle Kiltner, Amherst  
Patrick Charles Kirby, Columbus  
Richard George Kish, Columbus  
Deborah Anne Knoch, Whipple  
Maureen Anne Knuff, Sandusky  
Patricia Ann Kochensparger,  
Grove City

Ann Lai-chun Lam, Hong Kong  
 J. Caroline Lee, Lexington, Ky.  
 Bruce David Leetch, Dayton  
 Elizabeth Lenzy, Canton  
 David Alan Lewis, Columbus  
 Thomas Craig Litchney, Parma  
 Benny C. Loi, Valdosta, Ga.  
 Sandra Jo Long, Mansfield  
 Brent Kimble Mackey, Columbus  
 Ted Stephen Macy, Westlake  
 Steven Lee Mahaney, Toledo  
 Mary Catherine Marable, Akron  
 John Glennwood Marriott, Newark  
 Roy David Martin, Columbus  
 Richard John Martinko, Youngstown  
 William Joseph Masek, Cleveland  
 William Francis McDermott, Marietta  
 James Frank Meiser, Akron  
 Dennis Michael Melson, Circleville  
 Elizabeth Lea Miller, Columbus  
 William Blaine Morris, Newark  
 Andrew Chester Morse, Columbus  
 Roy Webb Nahodil,  
 McGuire A.F.B., N. J.  
 Frank Nemeth, Mansfield  
 Steven William Nessel, Xenia  
 Lawrence Dealing Newberry, III,  
 Medina  
 Laurie Jill Newman, Westbury, N. Y.  
 Jeffrey Scott Nowak,  
 Fort Wayne, Ind.  
 Terence Charles O'Hara, Akron  
 Marcia Lee Parry, Mansfield  
 Sherilyn Sue Parsons, Worthington  
 Michael Ralph Patsfall, Cincinnati  
 Stephen Kent Perkins, Columbus  
 Philip Allan Petrosky, Columbus  
 Robert Craig Peyton, Columbus  
 Cynthia Louise Pierce, Berea  
 Maria Elizabeth Ploharski, Grove City  
 Henry Scott Plouse, Gahanna  
 Wendy Sue Poster, Syracuse, N. Y.  
 Richard Leo Pugh, Zanesville  
 Charles Lincoln Reeder,  
 Wilmington, Del.  
 Roland Warren Reeves,  
 Shaker Heights  
 John Bateson Reynolds, McLean, Va.  
 Charles Henry Peter Rickards,  
 Willoughby Hills  
 Lisa Ann Rickly, Columbus  
 Judith Carol Rieser, Grove City  
 Margaret Faye Rinehart, Columbus  
 Janet Eileen Robinson, Columbus  
 Alan Rosensweig, Hamilton  
 Rosellen Margaret Rosich, Berea  
 Paula Lynn Rosner, Dayton  
 Kenneth Louis Ruben, Columbus

Brian Stone Runnels, Westerville  
 Lucinda Jean Sagar,  
 Washington C. H.  
 Steven Denver Salsler, Springfield  
 Sarah Cooke Schleder, Columbus  
 Connie Liden Sharma, Lexington  
 Thea Annette Sheffey, Columbus  
 Terry Lee Shuter, Portsmouth  
 John Patrick Simpson, Gahanna  
 Ralph Harrison Smith, Columbus  
 Robert Arthur Snyder, Madison  
 Mary Kathryn Spear, Seven Hills  
 Richard Joseph Spence, Brecksville  
 Cynthia Ann Spires, Lancaster  
 Mark Victor Stanga, Salem  
 Rita Ann Stewart, Columbus  
 Stephen Joseph Stirling, Columbus  
 Beth Charlene Stoneking,  
 Chandlersville  
 Richard Michael Stora, Columbus  
 Stephen Lowell Switzer, Macedonia  
 Gregory Lee Theaker, Mansfield  
 Janet Bertke Theaker, Shelby  
 Wilfred Andrew Verhoff, II, Columbus  
 Amelia Ronis Vidmar,  
 University Heights  
 Susan Rae Wagar, Avon  
 Stephen Ray Warren, Columbus  
 Wallace Edward Wengler, Oxford  
 Louis Russell Wilson, Wadsworth  
 David Eric Wirsig, Columbus  
 Marcia Lynn Wolf, Cleveland  
 Margo Lynn Young, Mansfield  
 Matthew Joseph Young, Columbus  
 Charles Weston Zoubek, Enon

#### **Bachelor of Science**

Fifteen candidates

David Robert Boiser, Florissant, Mo.  
 Byron Paul Bushman, Portsmouth  
 Anthony Charles Carnovale, Mentor  
 John Joseph Gary, Columbus  
 Teresa Addis Huyck, Centerburg  
 Mark Anderson Krumm, Columbus  
 Eric Albert Lehner, Galena  
 Richard Martin Maheu, Bay Village  
 Susan Jane Mase, Columbus  
 Dianne Jeanne Quante, Savannah, Ga.  
 Kenneth Charles Reynolds, Mansfield  
 Ann Elise Richards, Newark  
 Mark Stephen Spivak, Fulton, N. Y.  
 Mark Thomas Staples,  
 Shaker Heights  
 Keith Francis Woods, Ottawa

#### **Bachelor of Arts in Journalism**

Eighteen candidates

Boyd Frederick Addlesperger,  
 Lexington  
 Philip Brewin Cheney, Akron  
 Robert Aaron Clagg, Bellefontaine  
 Robert Francis Donnelly, Jr., Findlay  
 Stephen Michael Ellis, Zanesville  
 Cynthia Field, Lakeview, N. Y.  
 Dean Grayden Kemp, St. Paris  
 Bruce Alan Kotlinski, Columbus  
 Barbara Jean Lundy,  
 Philadelphia, Pa.  
 Cameron Martin MacArthur,  
 Ann Arbor, Mich.  
 Jean Ellen Otis, Celina  
 Theodore Phillip Parker, Jr., Dayton  
 Charles Richard Parsley, Cincinnati  
 David Earl Pontius, Ashtabula  
 Robert Lynn Saylor, Cuyahoga Falls  
 Mary Beth Umberger, Columbus  
 Joanne Marie Yavorcik, Youngstown  
 Kenneth James Young, Warren

## College of Administrative Science

Dean: Edward H. Bowman

### Bachelor of Science in Business Administration

One hundred and twenty-eight candidates

Brian Bernard Achenbach, Toledo  
Dennis William Adam, Shelby  
Susan Marie Allen, Columbus  
Carol Sue Amacher, Cambridge  
David Allen Andreas, Tucson, Ariz.  
Dezso Apathy, Jr., Columbus  
Steven Robert Armstrong, Plain City  
Randall Duane Ayers, Wooster  
Richard Scott Babich, Cleveland  
Bruce Alan Badenhop, Hamler  
Theodore Edward Badley, Columbus  
Stanley John Bahorek, Columbus  
Michael Loring Bates, Columbus  
Marion Belloni, Brewster  
Arnis Guntis Berkulis, Cleveland  
Glen Yukon Brasher, Columbus  
John Thomas Brenner, Hanoverton  
David Estille Brunty, Columbus  
James Eugene Buddelmeyer,  
Johnstown  
Paul Richard Burkhardt, Mentor  
Michael Eugene Burris, Mt. Vernon  
Mary Jo Camp, Toledo  
Donald Francis Carmichael, Lorain  
William Harding Carter,  
Shaker Heights  
Steven Elva Chapman, Powell  
Philip Angelo Chiazza, Lima  
Craig Allen Clarke, Alliance  
James Raymond Cloyes, Wooster  
Gregory Allen Cole, Worthington  
Michael Lynn Cole, Sidney  
Dale Barry Combs, Columbus  
Michael James Corbett, Columbus  
Alfred S. Dannhauser, Cleveland  
Paul John DeVore, Columbus Grove  
Rex Randall Douglas, Marietta  
Stephen Eric Driscoll, Columbus  
David Hayes Dunn, Washington C. H.  
Michael Eugene England, Marion  
James Parker Farris,  
Santa Monica, Calif.  
David Keith Galbreath, Jr., Troy  
Daryl Ray Gates, Galion  
Gary Harvey Gold,  
University Heights  
Michael Joseph Gorman, Columbus  
David Charles Green,  
Short Hills, N. J.  
Michael Alan Greenberg,  
Cleveland Heights  
Jack Gregory Groseclose, Galena  
Bruce Eugene Harris, New Lexington  
Don Goddard Harris, Aberdeen, Miss.

John Richard Hatcher, Bellefontaine  
Stephen Emerson Hawker,  
Worthington  
Douglas D. Helber, Chesterland  
Scott Robert Herr, Columbus  
Roger Dennis Herron, Kettering  
B.A.  
Mark Alan Hess, Columbus  
Steven Charles Hilsman, Columbus  
James Douglas Hoskinson, Columbus  
Jelili Tele Imam, Lagos, Nigeria  
Richard Wayne Jenkins, Columbus  
David Charles Johnson, Columbus  
Jack Cornelius Johnson, Bryan  
Kathy Lynn Kaercher, Columbus  
Joseph Richard Kasberg, Columbus  
Edward Arthur Kelly, Columbus  
John Curtis Kiddie, Sandusky  
Richard John Killinger, Marion  
Gregory Lee King, Grove City  
John Edward Kreiser, Lorain  
John Robert Lane, Cleveland  
Stephen James Leahy, Tiffin  
Jeffrey Louis Ledel, Euclid  
Priscilla Elaine Lee, Columbus  
Michael David Link, Columbus  
David Charles Loewer, Springfield  
George Peter Longauer,  
North Olmsted  
Joseph Edward Mahoney, Ashtabula  
David Nelson Marks, Denver, Colo.  
Gerre Lee Martin, Columbus  
Lilly Shabravan Mayton,  
Tehran, Iran  
Richard Philip McBride, Columbus  
Warren Louis McClellan, Cincinnati  
Terrance Michael McCurdy,  
Springfield  
Charles Robert McGinn, Columbus  
Patrick Robert McLoughlin,  
Whitehall  
Scott Taylor McVey, Youngstown  
George Nelson Meeker, Troy  
Robert Vincent Melaragno, Columbus  
Joel Richard Mercer, Wapakoneta  
B.A.  
Robert Alan Millberg, Ashtabula  
David William Miller, Coshocton  
Linda Kay Miller, Centerville  
Richard Allen Mokros, Bellaire  
Anna Catherine Monaco, Columbus  
Gary Alan Moser, Van Wert  
Bradley Eugene Myers, Akron  
Kenneth Edward Nagy, Parma  
Salvatore Anthony Palumbo,  
Yonkers, N. Y.  
Charles Edward Peterson,  
Fairview Park  
Melvin George Poeppelman, Yorkshire

David Joel Polster, Shaker Heights  
Timothy Lee Rader, Lima  
Randall Everett Ramey, Cincinnati  
John David Ramge,  
College Station, Tex.  
Robert William Rantanen,  
Worthington  
John Richard Rapp, Marion  
Charles Oakley Reason, Jr., Troy  
Peter Edward Roche, Wooster  
Clayton W. Rose, III, Columbus  
William David Schwamberger,  
Portsmouth  
Clifton Bert Sickles, Jackson  
Donald Franklin Snavley, Sidney  
William Guy Spriggs, Ironton  
Robert Lewis Starman, South Euclid  
Terry Lee Sternad, Columbus  
Thomas Albert Thiry, Parma  
Robert Lance Thomas, Middletown  
Neil Francis Tolbert, Tiltonsville  
James Bradley Vargo, Cleveland  
Lewis John Walters, Columbus  
Sheila Ann Weikel, Columbus  
Daniel L. Weinstock, Youngstown  
James Paul Weisenbach, Columbus  
Ned Allen Wellman, New Knoxville  
Edward Thomas Wenzke, Dayton  
William John Werley, Jr., Marion  
Michael Alan West, Vienna  
Donald Joe Williams, Richwood  
Robert Thomas Zack, Columbus  
Dean James Zaglanis, Columbus

### School of Social Work

#### Bachelor of Science in Social Welfare

Seventy-six candidates

Kathleen Ann Anderson, Ashtabula  
Suzanne Kay Barr, Mansfield  
Thomas Alfred Bennhoff,  
Fairview Park  
Donald Lee Blevins, Warfield, Ky.  
Cynthia Ann Board, Twinsburg  
Judith Pearl Borgen,  
University Heights  
Michael Douglas Bowers, Lima  
Susan Lynn Brody, Lincolnwood, Ill.  
Anna Carol Brown, Napoleon  
Beverly Ann Burfield, Heath  
Annabelle Caciacarne, Parma  
Charles William Carraway, Elyria  
Mark Nello Cernoia, Parma

## College of Agriculture and Home Economics

Dean: Roy M. Kottman

Howard William Dahill, Lima  
James Forrest Delong, Shelby  
Marie Lise Dingee, Columbus  
Stephen Wayne Drabek, Columbus  
Anne H. Ellison, Columbus  
Carol Ruby Feuer, University Heights  
Christine Ann Filipowicz,  
Independence  
Elizabeth Faye Flowers, Columbus  
Mary Irene Forbes, Bay Village  
Janice Irene Foster, South Vienna  
Lynne Ardell Frensdorf, Cleveland  
Shelly Ann Frisch, Cleveland  
Denise Ann Gallagher, Lyndhurst  
Kristine Ann Gilson, Erie, Pa.  
Debra Joy Goldberg, Cleveland  
Wendy Lee Golden, Beachwood  
Barbara Ann Graves, Bellefontaine  
Joanne Marie Hartke, New Carlisle  
Randi Marcia Heller, Northbrook, Ill.  
Kathleen Hennessey, Columbus  
Marylyne Heussner, Solon  
Kathryn Lee Hindman, Columbus  
Janice Kay Hodapp, Canton  
Kathy Francis Hower, Huron  
Lawrence W. Hugenberg,  
West Chester  
Staven Wenceslaus Koslovsky,  
Sylvania  
Rebecca Jayne Kreglow, Quincy  
Claudia Lynn Lady, Chesapeake  
Claudia McMurray Lament,  
Wapakoneta  
Mary Evelyn Leatherman, Wooster  
Janet Marie Leiken, Cleveland  
Jerome Stuart Levin, Columbus  
Evelyn Marie Lewis, Columbus  
Jayme Sue Littleton, Sabina  
Barbara Lee Lutz, Worthington  
Elizabeth Ann Mapes, Lyndhurst  
Dora Jean Marshall, Columbus  
Kathleen Mary Martin, Dover, N. J.  
Madeleine McCafferty, Fairview Park  
Mary Martindale McFarling,  
Granville  
Janice Ann Monda, Ashtabula  
Terry Lynn Moore, Canfield  
Marie Elaine Nieb, Worthington  
Linda Elkin Phillips, Columbus  
Ann Lu Piepenbrink,  
Fort Wayne, Ind.  
Beverly Reed, Berkeley, Calif.  
Glenn Everett Rice, Dublin  
Warriet Savage, III, Columbus  
Elizabeth Schenk, Lima  
Sharon Lee Schoenberger,  
Mt. Blanchard  
Joseph Melvin Schoolcraft, Columbus

Kevin Edward Slyh, Plain City  
Deborah Berk Smith, Columbus  
Joyce Ann Somar, Columbus  
Eileen Fran Spandorf,  
Warrensville Heights  
Ann Etchberger Sterrett,  
Worthington  
Paul Francis Sullivan, Pittsburgh, Pa.  
Rhonda Sue Talent, Lincolnwood, Ill.  
James Lewis Thomas, Convoy  
Stephen Daniel Toth, North Canton  
Thomas Allen Walker, Bucyrus  
Patricia Wilhelm, New Waterford  
Peggy McEldowney Zolton,  
Youngstown

### Bachelor of Science in Agriculture

Eighty-three candidates

Fredrick Raymond Altwater,  
Upper Sandusky  
James Russell Appel, Youngstown  
Gregory William Barnes, Bellevue  
Gary Neil Bassett, Columbus  
Stephen Lee Bower, Circleville  
Kim Paul Burton, East Liverpool  
Michael Ray Chrisman, Jewett  
Robert Myers Cochran, Sunbury  
Dale Eileen Craxton, Chardon  
Gary Warren Crocker, Wooster  
Dwight Edgar Curtiss, Toledo  
Marvin Maurice Davis, Beaver  
Catherine Sue deLaGrange, Dayton  
Frank Michael Demeter, Painesville  
Nicholas Charles DeSantis, Columbus  
Thomas William Edwards, Alliance  
Donald Eugene Eyman, Lancaster  
Richard Lyman Fairchild, II,  
Columbus  
Robert David Fargo, Ashtabula  
David Richard Fields, Prospect  
Ernest Roy Finley, Xenia  
Max Allen Fisher, Sunbury  
Gary Lewis Flinn, Kenton  
Fred Louis Forsthoffer,  
Middleburg Heights  
James L. Freedman, Jackson, Miss.  
Robert Rex Funnell, West Unity  
Gregory Gary Glashauser, Columbus  
Robert James Gliem, Fulton  
Edward Albert Graf, North Olmsted  
Kenneth Franklin Grafton,  
Seven Hills  
Wayne Alan Grote, Greenville  
Max William Hanners, Clarksville  
John William Henderson, Smithfield  
Jane Howe, Columbus  
Andrew Francis Hudak, III, Parma  
William Thomas Huelsman,  
Cincinnati  
Palmer Jowdy Johnson, Westerville  
Roy Michael Johnson, Paulding  
Kathleen Marie Kipp, Hillsboro  
Gary Edward Kohler, Lancaster  
Raymond Joseph Krause, Cincinnati  
Bonnie Jo Landmeier, Medina  
Timothy Andrew Larkin, Euclid  
Kenneth Michael Levin, Columbus  
John Ross Lyons, East Liverpool  
Daniel Wayne Maier, Cincinnati  
Robert David McBeth, Marion  
Daniel Ray Michael, Maineville  
Connie Goetz Miller, Cincinnati  
Robert Allen Miller, Coshocton  
Patricia Carr Patterson, Columbus

Daniel Patrick Peterson, Wilmington  
James Marvin Raber,  
Columbia Station

David Lynn Randall, Fredericktown  
Dennis John Riley, Cleveland  
Boley John Rog, Columbus  
John Allen Rogers, Madison  
William Harry Rose, Parma  
\*Glen Edgar Ruttencutter, Cincinnati  
Ronald James Scherzinger, Cleves  
Michael D. Schnell, Apple Creek  
Russell John Schroeder, Ottawa  
Alan Fredrick Seaman, Bellevue  
P. Wesley Sell, Louisville  
Christina Jeanne Shaheen, Pataskala  
Arthur Ray Shank, Rawson  
Daniel John Shifflet, Columbus  
Sharon Jonila Shulok, Massillon  
William Ernest Sims, Lancaster  
James Michael Smelker, Columbus  
Michael Alger Smith, Mt. Vernon  
David Lee Spidel, Greenville  
Duane Alan Staats, Gambier  
George Judson Taylor, Gahanna  
David Edward Texler, South Euclid  
Edward Stephen Thiel, Marion  
Eric Nathan Tschanz, Miamisburg  
Robert Stanley Turk, Euclid  
Edward Charles Vargo, Jr.,  
Smithfield

John Charles Weimer, London  
James Daniel Williams, Lexington  
Thomas Lynn Woolison, Mt. Vernon  
Peter Christian Yost, Columbus

#### **Bachelor of Science in Food Technology**

Three candidates

Ross Clement Kelley, Lima  
Thomas Jerry Mann, Cincinnati  
Cheryl Irene Thompson, Springfield

#### **School of Home Economics**

##### **Bachelor of Science in Home Economics**

Fifty-six candidates

Doris Browning Adair, Hilliard  
Linda Anne Alexy, Parma  
Cynthia Hope Allen, Cleveland  
Jana Lynn Bellar, Washington C. H.  
Bernadette Marie Britt,  
Glenolden, Pa.

Beth Weber Bunnell, Forest  
Debra Lynn Canfield, Fayette  
Jo Ann Arick Carpenter, Valley City  
Nancy Lee Carpenter, Columbus  
Sally Maybelle Cheek, Columbus  
Jane Ann Coe, Mt. Vernon  
Kelly Ramsay Courneen, Aurora  
Kathryn June Cox, Waverly  
Rebecca Arline Crawford, Avon Lake  
Sarah Ann Cross, Sylvania  
Debra Ann David, Warren  
Carol Heigle Davies, Gahanna  
Vicki Sue Davis, Columbus  
Linda Sue Donaldson, Columbus  
Sandra Susan Dupuy, Portsmouth  
Marcey Ilene Epstein,  
University Heights  
Mindy Sue Fausnaugh, Columbus  
Margaret Surbeck Foster,  
Worthington  
Gail Louise Frey, Columbus  
Stephanie Jones Geyer, Columbus  
Karen Bair Harrison, Columbus  
Charlotte Henson Herbst, Shelby  
Cathy Ann Hoffman, Galloway  
Diane Susan Jamra, Toledo  
Cathy Ann Kite, St. Marys  
Linda Anne Lucas,  
Hilton Head, S. C.

Maureen McNamara, Vandalia  
Deborah Swonger Michael, Hillsboro  
Jean Carol Nolte, Cincinnati  
Nancy Yuhase Pearson, Lima  
Deborah Mary Phillips, New London  
Charlene Sue Ralston, Kenton  
Sharon Lynn Rose, West Carrollton  
Nancy Ann Rupp, Fostoria  
Carolyn Sable, Monroeville, Pa.  
Margaret Ann Sharp, Dayton  
Kathleen Ann Shondel, Clinton  
Eileen Marie Stecker, Columbus  
Mary Diane Stuckey, Green Springs  
Diana Teresi, Lyndhurst  
Patricia Ann Thomas, Fostoria  
Anita Louise Uber, North Canton  
Sarah Ross Unetic, Columbus  
Deborah Susan Vatter, Columbus  
Emily Sue Wade, Columbus  
Lora Lee Walker, Galloway  
Joan Zimov Wells, Cincinnati  
Elizabeth Jane Wingerter, Canton  
Diane Woltz, Elyria  
Patricia Lichty Zeigler, Kenton  
Charlene Richelle Ziebro, Homerville

##### **Bachelor of Science in Restaurant Management**

One candidate

George Michael Loughran,  
Greensburg, Pa.

#### **School of Natural Resources**

##### **Bachelor of Science in Natural Resources**

Forty-eight candidates

Wayne Paul Aikins, Marshall, Mich.  
John Price Barner, Jr., Annville, Pa.  
Anthony John Batya, Columbus  
B.A. (Cleveland State University)  
James Fisk Benvie, II, Middletown  
Mark Edward Bluell, North Olmsted  
John Bunnell, Forest  
James Patrick Byrne, Toledo  
Robert James Corbett, Columbus  
Durand Lee Darbyshire, Fairborn  
John Kenneth Doucey, Toledo  
John David Evans, Columbus  
Terrence John Finefrock,  
Canal Fulton  
Michael Anthony Fracasso,  
Steubenville  
Stephen Paul Harris, Loudonville  
Robert Dean Helber, Jr., Columbus  
John Joseph Henry, Columbus  
Harold Fredrick Hittenrauch, Marion  
Clifford Floyd Hogan, Hamilton  
Russell David Hoy, Coshocton  
Marshall Edward Huesman, Milford  
Mark Thomas Kenny, Maple Heights  
James Patrick Kraneck, Hamilton  
Terry Thomas Kuebler, New Albany  
Robert William Lenart, Akron  
Kenneth Alan Luttner, Columbus  
Nancy Jo Moeckel, Oxford  
John Thompson Moran,  
Grosse Pointe Farms, Mich.  
Kim Irwin Morris, Bucyrus  
Tom Clair Neiswander, Ada  
Timothy Gene Nell, Columbus  
Daniel Paul Phillips, Bucyrus  
Terrence Lee Piatt, Columbus  
Timothy Plageman, Fairfield  
Wesley Joel Ranck, Graytown  
John Wesley Schilling, Graytown  
Richard Alan Scott, Kettering  
Duane Alan Snyder, North Ridgeville

\* Also Master of Science, Graduate School

## College of Dentistry

Acting Dean: William R. Wallace

Richard Michael Sorcek,  
Germantown, Md.  
Daniel Gary Stanowick,  
Garfield Heights  
Lawrence E. Tanis, Dayton  
Hurley Ray Taylor, Circleville  
Lynn Allen Veach, Columbus  
David William Walkden, Wellington  
Steven Lynn Welker, Sterling  
Vincent Paul Winterland, Dayton  
James Leonard Woda, Chagrin Falls  
Bruce Allen Wolfe, Elyria  
Philip Michael Zito, Columbus

## Agricultural Technical Institute—Wooster

### Associate of Applied Science Degree

Four: candidates

Richard Dwight Busche, Sardis  
Nancy Jo Johnson, Vermilion  
Joseph Harold McDaniel, Cincinnati  
Roger Clifford Otterson, Wooster

### Doctor of Dental Surgery

One hundred and forty-six candidates

Barry Norman Aab, Buckland  
B.A., B.S.  
Eugene Thomas Altieri, Youngstown  
Douglas Robert Anderson, Warren  
Kenneth Duane Michael Andryc,  
Toledo  
B.S.  
Michael Stevens Anthony, Columbus  
B.B.A. (University of Notre Dame)  
Craig Russell Apelt, Cleveland  
B.S.  
James Robert Augspurger, Dayton  
B.S. (Otterbein College)  
Kenneth Joseph Babon, Cleveland  
B.S.  
Charles Fitzwater Baker,  
Worthington  
B.S.  
Clifton Lee Ball, Canton  
Robert Blake Barsan, Akron  
B.S. (University of Cincinnati)  
Ricky Alan Barstow, Akron  
James Xavier Bauer, Centerville  
B.A. (Miami University)  
Clem Beals, III, Springfield  
B.S. (Urbana College)  
John David Beals, Xenia  
B.S. (Miami University)  
Gary Melvin Beckett, Hamilton  
B.S. (University of Cincinnati)  
Richard Anthony Behler, Cincinnati  
Mark George Benedict, Toledo  
Donald Edward Berwanger,  
Blanchester  
B.S.Pharm. (University of Cincinnati)  
Brian Ralph Best, Boardman  
B.A. (Thiel College)  
John Charles Bland, Youngstown  
B.S.  
Randall Thomas Boggs, Toledo  
B.S. (University of Toledo)  
Richard Wesley Bowen, Columbus  
Harris C. Bowman, Bradenton, Fla.

Kenneth Charles Brandt, Cincinnati  
B.S.  
Michael Kenneth Brown, Columbus  
B.S. (John Carroll University)  
George Stephen Cochran, Napoleon  
B.A.  
Claude Elliott Corbitt, Jr., Cincinnati  
Gary John Cortesi, Cuyahoga Falls  
B.S. (University of Akron)  
Larry Allan Crisafulli, Akron  
B.S. (University of Akron)  
Edward Rocco D'Allesandro,  
Cleveland  
B.A. (Case Western Reserve  
University)  
James Rawlins Davis, Columbus  
B.S.Agr.  
Jerry William Detwiler, Millersport  
Robert Morrison DeWitt, Jr., Akron  
B.A. (Kenyon College)  
Richard David Dietz, Botkins  
B.S. (Ohio University)  
Dennis Sho Eguchi, Mentor  
Gregory Nicholas Elefterin,  
Massillon  
B.S. (Baldwin-Wallace College)  
John Robert Erbaugh, Dayton  
B.A. (Miami University)  
Joel Joseph Esselman, Cincinnati  
James Allan Everhart, Columbus  
B.S.  
Michael Carlton Fair, Fairborn  
B.S.  
Glenn Richard Fausz, Toledo  
B.S. (Adrian College)  
Charles Philip Fenell, Lyndhurst  
B.S.  
John Allen Fishpaw, Ashland  
B.S. (Ashland College)  
David Lee Forthofer, Avon  
Michael John Fourman, Greenville  
B.S. (Manchester College)  
Frederick John Freytag, Newark  
B.A. (Wittenberg University)  
Glenn William Fritz, Cincinnati  
B.S. (Kenyon College)



James Edmund Gabel, Cincinnati  
A.B. (College of the Holy Cross,  
Massachusetts)

Gregory Rex Garey, Norton  
B.A.

Randal Parker Garvey, Columbus

Ronald Beecher Garvey, Columbus

Carol McClanahan Gillespie,  
Columbus

Thomas Eugene Gillespie, Zanesville

Jerry Lee Glanzman, Toledo  
B.A. (University of Toledo)

Frederick John Gohmann, II,  
Portsmouth  
B.A. (Ohio Wesleyan University)

Douglas Alan Gormley, Barberton  
B.S. (Purdue University)

John Baylis Graef, Jr.,  
Cuyahoga Falls  
B.S.

Edward Allen Hadaway, Elyria  
B.S. (Bowling Green State  
University)

James Blair Haggerty, Toledo  
B.S. (University of Toledo)

Stanley C. Hamilton,  
Garden City, Mich.  
B.S. (Eastern Michigan University)

Ted Howard Hamilton, Norton  
B.S.

Lawrence Dean Hanna, Delaware  
B.S.

Stephen Herbert Harlan, Dayton  
B.A. (Tulane University)

Brenda June Harman, Williamsport

Randall Dale Harris, Bellaire  
B.S. (Ohio University)

Thomas Allen Harris, Eaton  
B.S.Bus. (Miami University)

Craig Alan Hasselschwert, Defiance  
B.A. (University of Toledo)

Dennis Roland Hatfield, Toledo  
B.S. (University of Maryland)

Gene Talmadge Henderson, Elyria  
B.S.

Gary F. Hendricks, Youngstown  
B.S. (Ohio University)

James Timothy Henley, Barberton

David Howard Hock, Leipsic

Timothy Michael Hogle, Dayton

William Jonathan Hooker, Columbus  
B. A. (College of Wooster)

Philip Kinsman Hornseth, Enon

Charles David Howard, Columbus

William Gordon Jackson, Jr.,  
Cincinnati  
B.S. (Xavier University)

Ronald Edward Jardin, Sylvania  
B.S. (Bowling Green State  
University)

Dennis Wayne Jeffers, Canton  
B.S. (Ohio University)

Beryl Kenneth Jones, II, Kimbolton  
B.S.

H. Wayne Kaiser, Rochester, N. Y.  
B.A. (Hanover College)

Gregory Adams Kapela, Cleveland  
B.S.Ed. (Bowling Green State  
University)

Kenneth John King, Toledo

Jarema Wolodymyr Klos, Lorain  
B.S. (Ohio University)

Charles Randall Koepke, Toledo

Gregory Earl Kramer, Medina  
B.A. (Bowling Green State  
University)

Dennis Andrew Kuack, North Olmsted

Thomas David Lamarre, Sr.,  
Cincinnati  
B.S. (University of Cincinnati)

Robert Marvin Lazarow, Akron  
B.S. (University of Akron)

Kevin Douglas Less, Toledo

James Frank Loch, Mansfield

George L. Long, Jr., Madeira  
B.S., M.S. (University of Cincinnati)

Carl Wesley Magyar, Canfield  
B.S.Phys.Thor.

Wayne Terrance Mahar, Jr.,  
Olmsted Falls  
B.S. (Ohio University)

Kenneth Eugene Martin,  
Jacksonville, Fla.

Ralph Edward Martin, Jr., Mansfield  
B.S.

Bryan Daryl Martz, Mansfield

Christopher Dix Masoner, Sr.,  
Columbus  
B.A.

Ronald Douglas Matthews, Brecksville  
B.S. (Xavier University)

G. Alan McClellan, Roanoke, Va.  
B.S.Bus.Adm. (West Virginia  
University)

James Thomas McKown, Greenfield

David Alan Merino, Cleveland Heights

Richard Corven Miller, Wadsworth  
B.S. (University of Akron)

Daniel J. Mulligan, Cleveland

Wayne Allen Myers, Ashtabula

Edward Joseph Nash, New Lexington  
B.S. (Ohio University)

Lee Ortman, Middletown  
B.A. (North Central College)

Mindaugas John Pautienis,  
Cleveland Heights  
B.S.; M.Ed. (Xavier University)

William Roger Peterson, Toledo

Gary William Pierce, Englewood  
B.S. (Bowling Green State  
University)

David F. Poeppelman, Osgood  
B.A.

Roy David Pressler, Barberton  
B.S. (Bowling Green State  
University)

Horst Renz, Shelby  
B.A.

Michael Patrick Rethman,  
Rocky River

Joseph Wallace Robb, III, Columbus

Bruce N. Rogers, Warren  
B.S. (Davidson College)

Thomas Allen Roubal, Cleveland

Greg Edward Rowlance, Canton  
B.S. (Ohio University)

Ralph Hamlin Saunders, Jr.,  
New Albany, Ind.  
B.A. (DePauw University)

## College of Education

Dean: Frederick R. Cyphert

Manfred Schall, Cincinnati  
B.A. (University of Cincinnati)

Ronald Joseph Schmitz, Cleveland  
B.A. (University of Notre Dame)

Bruce David Schwartz, South Euclid  
B.S.

Kenneth Byron Shaw, Toledo  
B.S. (University of Toledo)

Scott Brian Shellhammer, Ashtabula

John A. Short, Columbus  
B.S.

David Delane Sims, Troy  
B.A. (Miami University)

Brian Edward Smith, Copley  
B.S. (University of Akron)

Paul Daniel Smith, North Canton  
B.A. (College of Wooster)

Edward John Strauss, Jr., Pomeroy

Glenn Alan Stripe, Akron

David William Suitt, Cambridge  
B.A. (Case Western Reserve  
University)

Donald Ray Sutton, Xenia  
B.A. (Earlham College)

Stanley Gale Tipton, Shreve  
B.A. (Miami University)

James Clyde Trouten,  
Richmond Heights

Robert Bruce VanWey, Toledo

Richard Alan Welfare, Lakewood

Robert Clifford Wenger, Dayton  
B.S. (University of Dayton)

Dale Melvin Wetmore, Oregon  
B.S.

Jack L. Wilhelm, Amherst  
B.S.

Donald Willen, Cincinnati  
B.S. (Xavier University)

Carl Warren Winters, Carrollton  
B.A.

John Frederick Winters, Worthington  
B.S. (Xavier University)

Terry Lee Wyand, Warren  
B.A. (Miami University)

Michael Alexander Yerian, Springfield  
B.S.

Wayne Allen Zipperlen, Columbus  
B.S.

### Bachelor of Science in Education

Two hundred and forty-nine candidates

David William Adams, Columbus

Janice Karen Allen, Akron

Roy Theodore Allen, Columbus

Deborah Hughes Ambroza, Lima

Dorothy Lynn Armour, Niles

Helen Louise Arn, Thornville

Deborah Elizabeth Aszling, Kettering  
Cert.Grad.Dent.Hyg.

James David Aten, Columbus

Elizabeth Anne Baker, Worthington

Stephan Joseph Ballmann,  
Reynoldsburg

Joseph Alfonso Banal, Dillonvale

Neil James Bardon, Nevada

Dennis Wayne Bartow, Canton

Shelly Sue Becker, Elyria

Rosalyn Bellis,  
Wright Patterson AFB

Susan Kay Benham, Springfield

Marilyn Benschoter, Toledo

Robert Julius Berkman, Toledo

Sue Beach Bishop, Bucyrus

Sally Russell Bogard, Leipsic

Mary Jane Boles, Cleveland

Larry Alan Bond, Columbus

Larry Jay Borodofsky, Cleveland

Connie Anita Bowsher, Harrod

Lynne Barbara Boyer, Dayton

Patricia Heller Braun, Wapakoneta

Christie Keil Breckner, Cardington

Patricia Lou Briggs, Columbus  
Cert.Grad.Dent.Hyg.

William Christian Brooks, Perrysburg

Linda Beth Brown, Hilliard

Susan Ruscilli Burke, Columbus

Brenda Sue Busenburg, Danville

Daniel Robert Buser, Euclid

Jayne Kenny Buterbaugh, Columbus

Susan Lee Caldwell, Columbus  
Cert.Grad.Dent.Hyg.

Deborah Ann Campbell, Dola

Martha Jean Carroll, Coshocton

Robert Dean Cavin, Columbus

Beth Ann Chadwick, Worcester, Mass.

Catherine Hawkins Chapman,  
Columbus

Shari Lynn Clark, Greenville

Clifford Lynn Clements, Columbus

Diane Hoffman Coelho, Columbus

Kathleen Harte Cook, Hilliard

Kathleen Ann Crotty, Columbus

Kimberly Eisaman Culp, Columbus

Carolyn Janet Dalton, Marietta

Catherine Dew D'Andrea, Columbus

Mary Frame Darin, Columbus

Elizabeth Rupp Daugherty, Powell

Catherine Lee Davis, Galena

Cheryl Ann Davis, Columbus

Eric Jon Davis, Cincinnati

John Francis DeGuiseppi, Columbus  
B.S.Bus.Adm.

Linda Gayle Dever, Orrville

Nancy Dinicolantonio, Macedonia

Marilyn Kay Donaldson, Beaverdam

William Dean Dowling, Jr.,  
Worthington

Kathleen Kruse Draeger, Shelby

Richard Wayne Druckenmiller,  
Caledonia

Patrick Hilary Dunlevy, Steubenville

Marcia Rae Erwin, Delaware

Bruce Robert Evener, Columbus

Douglas LeRoy Fadely,  
North Lewisburg

William Walter Fedash, Brooklyn  
B.A.

Debra Lynne Ferry, Mentor

William Newton Fletcher,  
Rocky River

James Gillen Fox, Bryan

Jeffrey Irwin Friedman,  
Warrensville Heights

Stephanie Ann Friel, Columbus

Nancy Rush Funk, Delphos

Timothy Lyn Gano, Newark

Harry Lester Garber, Shaker Heights

Carolyn Wolf Gardiner, Columbus

Rebecca Anne Gilbert, Columbus

Judy Kaye Gilson, Cleveland

James Russell Ging, Columbus

William Joseph Gleason, Columbus

Alida Goldfarb, Stamford, Conn.

Joan Leslie Goldstein,  
Mohegan Lake, N. Y.

Doreen Joy Gosselin, Cleveland

Ellen Jean Gotthardt, Lima

Rebecca Jean Graham, Zanesville

Jane Elizabeth Greene, Beachwood

Thomas Richard Grehl, Columbus

Patricia Nadine Grist, Westerville

Sharon Sharum Grumbilis, Elida

Robert Neal Guthrie, Columbus

Margaret Downer Guttridge,  
New Albany

Nancy Margaret Hagan, Cleveland

Kathleen Frances Hamilton, Bellville

Mary Ruetten Hank, Columbus  
B.A. (Bethel College, Minnesota)

Lynn Ellen Harlamert, Anna

Jane Elizabeth Harmon, Springfield

Lynn Swearingen Harnicher,  
Worthington

Thomas Clayton Harper, Marion

Pamela Randles Hartley, Columbus  
 Andrew William Hartsook, Zanesville  
 B.A. (University of the Americas,  
 Mexico)

Richard Charles Hayes, Columbus  
 Carolyn Ruth Heck, Columbus  
 Susan Marie Heilman, Columbus  
 Mary Kathleen Heinlein, Columbus  
 Colleen Jean Hemminger,  
 Green Springs

Gregory Willard Henry, Wauseon  
 Patrice Ann Hensley, Cuyahoga Falls  
 Donald Alan Herron, Cardington  
 Earl Robert Hill, Columbus  
 James Miller Hoerath, Powell  
 Joseph Abba Horowitz,  
 University Heights

Amy Downing Hoy, Westerville  
 Jane Ramseyer Hubbard, Columbus  
 Karen Susan Hunsinger, Columbus  
 Mary Jo Hurm, St. Marys  
 Jerry John Hurt, Newark  
 Neil Kevin Jarvis, Galion  
 Susan Farmer Johnson, Columbus  
 Cert. Grad. Dent. Hyg.

Jeffrey D. Johnston, Columbus  
 B.A./Jour.

Dorothy Alice Jones, Columbus  
 Deborah Anne Keitch, Dover  
 Paulanne Helen Kelly, Columbus  
 Paula Susan Kendall, Westerville  
 Jack Milton Kidwell, Galion  
 Judy Lou Kinder, New Albany  
 Susan Fay Kinsel, Gahanna  
 Kim Allen Kittle, Northfield  
 Martha Marie Klingelhafer, Galion  
 Laura Lynn Knerr, Parma  
 Martha Jayne Kollstedt, Hamilton  
 Timothy Robert Kossler, Clayton  
 Vicki Lynn Krupa, Columbus  
 Timothy James Lapish, Columbus  
 Bonnie Campbell Lattimer, Columbus  
 Cert. Grad. Dent. Hyg.

Clare Dei Lewandoski, Columbus  
 Julie Christa Link, Wapakoneta  
 Janet Christine Loeber,  
 Cuyahoga Falls

Bradley Paul Long, Columbus  
 Kathy Utzinger Lupidi, Pataskala  
 Gail Owens Magley, Columbus  
 Ann Elizabeth Mahon, Cincinnati  
 Pauline June Makos, Mt. Vernon  
 Debra Sue Manson, Youngstown  
 Ann Beth Marber,  
 Cliffside Park, N. J.

Deborah Hess Marrero, Columbus  
 Ellen Park Marshall, Hebron  
 Dean Edward Martino, Mt. Victory  
 Carol Sue Maurer, Anna

Donald Wilbur McDaniel, Centerburg  
 Betsy Lou McElwee, Johnstown  
 Lois Niekamp McKibans, New Bremen  
 Eileen Horneman McNally,  
 St. Louisville

James West Meckstroth, Wilton, Wis.  
 Claudia Layne Mehl, Neffs  
 Cert. Grad. Dent. Hyg.

Christy June Melville, Grove City  
 Kirk Duane Milleman, Hebron  
 Cathy Lynne Miller, Mansfield  
 Daryl Lloyd Miller, Columbus  
 Joyce Ann Miller, Curtice  
 Nancy Jane Miller, Niles  
 Ronald Lee Miller, Columbus  
 Sharon Lou Todd Miller, Columbus  
 Melanie Hummel Minch, Columbus  
 Anne Marie Misitigh, Cuyahoga Falls  
 Jeffrey Lawrence Molyet, Fremont  
 Martha Joos Moore, Columbus  
 Cert. Grad. Dent. Hyg.

Karen Bailey Morrell, Columbus  
 Suzanne Mourning, Columbus  
 Jane Ellen Mulcrone, Lakewood  
 Dale Edward Nenadal, Solon  
 Cheryl Linda Newman, Toledo  
 Janet Lee Nicholson, Bucyrus  
 \*Susan Burkhard Noble, Columbus

Dorothy Lucile Oswald, Greenwich  
 Roma Elizabeth Otting, Minster  
 Kay Turner Parrott, Columbus  
 Steven Jerome Pasholk, Columbus  
 \*Richard Anthony Pavlic, Columbus  
 John James Pendergast, Columbus  
 Sylvia Faye Perley, Columbus  
 B.A.

Frank Joseph Petru, Columbus  
 Frieda Clevenger Petry, Galena  
 Lynn Marie Philibin, Youngstown  
 Constance Wilkins Pond, Newark  
 Jonisa Lee Portemont, Phillipsburg  
 Cora Lee Preston, Alexandria  
 Carol Lewis Price, Worthington  
 Steven Pusztay, Cleveland  
 Lauree Raica, Westerville  
 Tamara Ann Rainey, Canton  
 Susan Ann Ratterman, Cincinnati  
 Diane Slate Reavling, Columbus  
 David Lynn Reese, VanBuren  
 Loraine Mae Reimer, Lyndhurst  
 Jennifer Ann Richards, Eaton  
 Judith Ann Richardson, Columbus  
 Becky Sue Ries, Columbus  
 Cert. Grad. Dent. Hyg.

Barbara Swiger Riley, Grove City  
 Linda Collier Roberts, Columbus  
 Georgene Whitcraft Ross, Columbus  
 Roberta Klingel Sample, Edison

John Richard Schmidt, Columbus  
 Sandra Virginia Schwartz,  
 Chesterland

Linda Lou Scott, Cincinnati  
 Janet Bartels Selikson, Columbus  
 Barbara Jean Sharp, Sandusky  
 Susan Kay Shepelak, Wiamisburg  
 Elizabeth Bradley Sidorenko,  
 Columbus

Kathleen Hatcher Siefert, Bucyrus  
 Randall Craig Skinner, Columbus  
 Deborah Ann Smedley, Columbus  
 Catherine Berger Smith, Columbus  
 Betty Marie Snider, Somerset  
 Charles Henry Snyder, II, Bucyrus  
 Thomas Edward Solomon, II, Marion  
 Bridget Ann Sorg, Hebron  
 Michele Ann Spognardi, Mansfield  
 Mary Dianne Steck, Lewisburg  
 Nancy Jane Steffan, Leipsic  
 Kathryn Forbush Suchy,  
 Middleburg Heights

Willa Morgan Tanner, Stout  
 Ellen Arlene Teitelman,  
 Cleveland Heights

Carol Hinklin Thomas, Marion  
 Margaret Whisler Thornton,  
 Mansfield

Donna Traikoff, Columbus  
 Susanne Marie Vandemark, Columbus  
 Cert. Grad. Dent. Hyg.

Kenneth Eugene VanDyne, Columbus  
 Debra Jo VanSkiver, Wapakoneta  
 Robert Jan Vorac, Cleveland  
 Renee Devoyne Wade, Columbus  
 Jean Donaldson Weaver,  
 Upper Sandusky

Susan Mary Wegrzyniak,  
 Clifton, N. J.

Adele Barbara Weiss, Columbus  
 Linda Katherine Welker, Gahanna  
 Betty Lozier Weller, Fredericktown  
 Janet Sue Welty, Columbus  
 Catherine Anderson Wheeler,  
 Nashport

Judith Ann Wickliff, Columbus  
 Cert. Grad. Dent. Hyg.

Sandra Simons Wilges, Columbus  
 Elizabeth Zulauf Williams, Nevada  
 Jane McAtee Williams, Troy  
 Ellen Esther Wilson, Ashtabula  
 Frederick Gottsch Winegardner,  
 Newark

Kathryn Lucas Winland, Newark  
 Sandra Lou Wise, Columbus  
 Terry Lynn Wise, Columbus  
 Leslie Eames Wolford, Columbus

\* Also Bachelor of Arts,  
 Colleges of the Arts and Sciences

## College of Engineering

Dean: Harold A. Bolz

Rose Mary Wonderly, Risingsun  
James Henry Young, Springdale  
Cathy McMurray Zimmer, Columbus  
Thomas Albert Ziska, Columbus

**Bachelor of Art Education and  
Bachelor of Music Education  
degree are offered jointly by the  
College of The Arts and the  
College of Education  
Candidates are listed on page 18**

### **Bachelor of Science in Aeronautical and Astronautical Engineering**

Three candidates

James Duncan Cooper,  
Garfield Heights  
Michael Joseph Hoffmann, Columbus  
Richard Paul Werner, Pomeroy

### **Bachelor of Science in Agricultural Engineering**

Two candidates

Wayne Arthur Peck, Montpelier  
George Sheridan Pellington, Jr.,  
Columbus

### **Bachelor of Science in Chemical Engineering**

One candidate

Frederick Carl Johnson, Zanesville

### **Bachelor of Science in Civil Engineering**

Nine candidates

Scott Randall Amos, Euclid  
Alan Ray Dunbar, Columbus  
Walter Lee Heer, Columbus  
Robert P. Paulson, Columbus  
B.A. (Providence College)  
Daniel Lee Pennock, Beverly  
Ahmad Abdul-Aziz Al-Rashed,  
Rias, Saudi Arabia  
Douglas Paul Reinhart, Wapakoneta  
William Ross Shaw, Rockbridge  
Michael Edward Smith, Dayton

### **Bachelor of Science in Computer and Information Science**

Twelve candidates

Curtis Eugene Clutter, Marion  
Charles Edward Duvall, Columbus  
William Dennis Ewan, Parma  
Michael Charles Gilligan, Columbus  
Paul Allen Johnson, Westerville  
Bruce David Jones, Columbus  
Whai Lim, Kuala Lumpur, Malaysia  
Nicholas Ned Martin, Cuyahoga Falls  
Harold M. McCabe, Marysville  
Harold Eugene Sieberth, Columbus

Bruce Michael Smith, Stow  
Michael Duane Wholf, Columbus

### **Bachelor of Science in Electrical Engineering**

Twenty candidates

Gholam Reza Amirilayeghi,  
Tehran, Iran  
Larry Earl Barger, Lowell  
John Allen Buk, Columbus  
Steven Scott Cheesebrew, Columbus  
Yuen-Hean Chong, Ironton  
Joseph William Deck, London  
Steven Frederick Del Col, Columbus  
Andrew Hammond, Reynoldsburg  
Brian Jay Henning, Perrysburg  
Fredrick Taylor Klevenow  
Shaker Heights  
B.S. (Case Institute of Technology)  
Robert Bruce Marcum,  
West Carrollton  
Steven Patrick Monett, Orient  
David James Robinson, Martinsville  
Robert Wayne Runnels, Wilmington  
Ronald Richard Schifer, Bucyrus  
Philip David Smith, Cardington  
Jeffrey Michael Thies, Cleveland  
James Leo Wilson, Columbus  
Russell Lee Withington, Columbus  
Stanley Joseph Zelasko, Amsterdam

### **Bachelor of Science in Engineering Physics**

One candidate

Todd Jeffrey Hoover, Hilliard

### **Bachelor of Science in Industrial and Systems Engineering**

Five candidates

Herbert Morison Appleton, III,  
Columbus  
Alan Barnett Arons,  
Cleveland Heights  
George Richard Birekbichler,  
Westerville  
Jonathan Garfield Stewart, Greenfield  
Gregory Howard Yahn, Columbus

## College of Law

Acting Dean: L. Orin Slagle, Jr.

### Bachelor of Science in Mechanical Engineering

Nine candidates

Thomas Ray Avery, Jr., Columbus  
Paul Norman Bernheisel, Toledo  
Wendell Richard Globig, Madison  
Gregory Dean Jones,  
Berkeley Heights, N. J.  
Pablo Gundel Koe-Krompecher,  
Columbus  
Russell Robert Konst,  
Bedford Heights  
Lynn Henry Schmidt, St. Marys  
Robert Lee Walton, Beverly  
Rudy Paul Zych, Fairpoint

### Bachelor of Science in Welding Engineering

Two candidates

Edward Cannoy Kash, Middletown  
William Frederick Newell, Jr.,  
Norwalk

### School of Architecture

#### Bachelor of Science in Architecture

Five candidates

Stuart William Driscoll, Dublin  
Steven Alan Lessure, Cincinnati  
Terry Alan Miller, Sugarcreek  
Kevin Martin Morand, Reading  
George Athanasios Sgouros,  
Athens, Greece

#### Bachelor of Science in Landscape Architecture

One candidate

Anthony James Crescenzi, Jr.,  
Mineola, N. Y.

### Juris Doctor

Thirty-six candidates

Donald Ross Baker, Columbus  
B.S. (Randolph-Macon College);  
M.S., Ph.D. (Lehigh University)  
Kenneth Alvin Bauman, Worthington  
B.S. (Purdue University)  
Ralph Alexis Beard, Canfield  
B.A. (Youngstown State University)  
Thomas David Berry, Columbus  
B.S.Bus.Adm.  
Daniel Karl Boda, Dayton  
B.A. (Ashland College)  
Ray Quincy Bumgarner, Jr., Dayton  
B.A.  
Ronald Edmund Cabaniss, Columbus  
B.S.Bus.Adm.  
James Craig Carpenter, Columbus  
A.B. (Ohio University)  
Robert Daniel Cook, Worthington  
A.B. (Wheaton College)  
John Albert Coppeler, Columbus  
B.A.Jour.  
Pamela Brown Dizikes, Columbus  
A.B. (University of Illinois)  
William Joseph Fleck, Jr., Columbus  
B.S.F.S. (Georgetown University)  
James Robert Fox, Brookville  
B.A. (Otterbein College)  
Daniel Robert Freytag, Napoleon  
B.A. (Wittenberg University)  
Albert Georges Ganansia, Columbus  
B.A. (Western Michigan University);  
M.A., Ph.D.  
John Charles Gillingham, Bay Village  
A.B. (University of Illinois)  
William Allen Hopper, Jr., Delaware  
B.A. (Ohio Wesleyan University)  
Emerson Ray Keck, Clayton  
B.A. (DePauw University)  
Garry Noel Keister, Akron  
B.S.Acc. (University of Akron)  
Howard Penn Krisher, II, Dayton  
A.B. (Princeton University)  
Mark Stephen Lally, Columbus  
B.A.  
Wade Lyle Marbaugh, Willshire  
B.A. (Defiance College)

Donald Michael Miller, Somerset  
A.B. (Ohio University)

Donald Brent Mulgrew, Steubenville  
B.A. (Bethany College); M.A. (Ohio  
University)

David August Paxton,  
Denver, Colo.  
B.S.Engr. (University of Colorado);  
M.B.A. (Bowling Green State  
University)

†John Rutledge Rosebrough,  
Columbus  
B.S. (University of Cincinnati);  
M.B.A. (Harvard University)

Michael Nelson Schaeffer, Cincinnati  
B.S.Bus.Adm.

William Michael Shay, Columbus  
A.B. (Case Western Reserve  
University)

James Robert Shenk, Minster  
B.A. (Miami University)

Roger Dale Staton, Middletown  
B.S.Ed. (Miami University)

Frank Henry Stieg, III, Fairfield  
B.S.

John Howard St. Laurent,  
Essexville, Mich.  
B.A. (University of Notre Dame);  
A.M. (University of Michigan);  
M.B.A. (Drake University)

Timothy Ray Stonecipher, Chardon  
B.S. (Cornell University)

George Gary Tyack, Columbus  
B.A. (College of Wooster)

Eric William Walter, Wooster  
B.A. (Muskingum College)

Paul Edward Webster, Springfield  
B.S. in App.Sci. (Miami University)

† Degree awarded posthumously.  
Died November 4, 1974

## College of Medicine

Dean: Henry G. Cramblett, M.D.

### Doctor of Medicine

Five candidates

Joseph Anthony Colella, Jr.,  
Youngstown  
A.B. (Youngstown State University)

Gail Virginia Peters, Zanesville  
B.S. (Muskingum College)

Olga Maria Petrovic, Columbus  
B.A.

Stuart Alan Weprin, Dayton  
A.B. (Case Western Reserve  
University)

Rhinee Wei-Fang Yeung-Walter,  
Cincinnati  
B.A. (University of Pennsylvania)

### School of Allied Medical Professions

#### Bachelor of Science in Allied Health Professions

Nine candidates

Joseph Alexander Barylak, Flushing  
Carol Sue Bookwalter, Mansfield  
Edward Albert Brennan, Columbus  
George Gregory Eberts, Columbus  
Joan Beth Franz, Perrysburg  
Edeltraud Kelm Gilbert, Columbus  
Kathleen Louise Kiss, Bellaire  
Rebecca Ann Krieger, Jeffersonville  
Timothy Harold Thatcher,  
Chillicothe  
B.S.

#### Certificate of Nurse Anesthetist

Four candidates

Linda Dennon Herren, Columbus  
Diploma (Saint Joseph's Infirmary)  
Harold Dexter Hillman, Columbus  
A.S. (Cabrillo College)  
Elizabeth Christine McIver, Columbus  
Sandra Marie Recker, Ottawa  
A.D. (Lima Technical College)

## College of Veterinary Medicine

Dean: C. Roger Smith

### Doctor of Veterinary Medicine

One candidate

Jack Robert Niggemyer, Columbus  
B.S.Agr. (Oklahoma State  
University)

### Certificate of Post Baccalaureate Circulation Technologist

One candidate

Alan Eugene Maul, Mansfield  
B.S.

### Certificate of Post Baccalaureate Medical Illustrator

One candidate

William Pinkney Hamilton, IV,  
Columbus  
B.A. (DePauw University)

### Certificate of Post Baccalaureate Medical Technologist

One candidate

Charles Joseph Rusnak, Struthers  
B.S. (Youngstown State University)

### Certificate of Post Baccalaureate Physical Therapist

One candidate

Terrissa Lee Butler, LaRue  
B.S.Ed. (Bowling Green State  
University)

### School of Nursing

#### Bachelor of Science in Nursing

Two candidates

Janet Barbara Fox, Cleveland  
Roberta Ann Passamano,  
East Northport, N. Y.

## Graduates With Honors

### Summa cum laude

David Thomas Akers, Middletown  
Eugene Thomas Altieri, Youngstown  
Douglas Robert Anderson, Warren  
James Robert Augspurger, Dayton  
Michael Loring Bates, Columbus  
Arnis Guntis Berkulis, Cleveland  
Susan Lynn Brody, Lincolnwood, Ill.  
William Christian Brooks, Perrysburg  
James Forrest Delong, Shelby  
Marilyn Kay Donaldson, Beavercreek  
Paul Michael Dorinsky, Columbus  
Douglas Michael Dovenbarger,  
Worthington

William Dean Dowling, Jr.,  
Worthington  
Kathleen Kruse Draeger, Shelby  
Mary Irene Forbes, Bay Village  
Neil Ray Fosnaugh, Amanda  
Janice Irene Foster, South Vienna  
Daniel Robert Freytag, Napoleon  
John Charles Gillingham, Bay Village  
Mary Kathleen Heinlein, Columbus  
Jane Howe, Columbus  
Kathy Francis Hower, Huron  
Jane Ramsey Hubbard, Columbus  
Teresa Lynne Addis Huyck,  
Centerburg  
Fredrick Taylor Klevenow,  
Shaker Heights  
Steven Wenceslaus Koslovsky,  
Sylvania  
Evelyn Marie Lewis, Columbus  
Gail Owens Magley, Columbus  
Bryan Daryl Martz, Mansfield  
Susan Jane Mase, Columbus  
Mary Martindale McFarling,  
Granville  
Jean Rachelle Paquet, Louisville  
Steven Jerome Pasholk, Columbus  
Connie Liden Sharma, Lexington  
James Robert Shenk, Minster  
Catherine Berger Smith, Columbus  
Michael Edward Smith, Dayton  
David Lee Spidel, Greenville  
Terry Lee Sternad, Columbus  
Neil Francis Tolbert, Tiltonsville  
Emily Sue Wade, Columbus  
Philip Carlin Weimer, Columbus  
Richard Paul Werner, Pomeroy  
Jane McAtee Williams, Troy  
Rudy Paul Zych, Fairpoint

### Summa cum laude and with Distinction in Animal Science

Bonnie Jo Landmeier, Medina

### Summa cum laude and with Distinction in History

Katherine Mary Collinge, Millersburg

### Summa cum laude and with Distinction in Horticulture

Glen Edgar Ruttencutter, Cincinnati

### Cum laude

Betty Louise Andrus, Akron  
Michael Stevens Anthony, Columbus  
Dezso Apathy, Jr., Columbus  
Deborah Elizabeth Aszling, Kettering  
David Allan Baldrich, Portsmouth  
Clifton Lee Ball, Canton  
John David Beals, Xenia  
Ralph Alexis Beard, Canfield  
Sue Beach Bishop, Bucyrus  
Judith Pearl Borgen,  
University Heights  
Lynne Barbara Boyer, Dayton  
Paul Richard Burkhardt, Mentor  
Michael Eugene Burris, Mt. Vernon  
Ronald Edmund Cabaniss, Columbus  
Yuen-Hean Chong, Ironton  
Robert Daniel Cook, Worthington  
John Albert Coppeier, Columbus  
Kathryn June Cox, Waverly  
Catherine Dew D'Andrea, Columbus  
Mary Frame Darin, Columbus  
Pamela Brown Dizikes, Columbus  
Linda Sue Donaldson, Columbus  
Kenneth John Dorian, Hilliard  
Mary Elizabeth Eusey,  
North Robinson  
William Joseph Fleck, Jr., Columbus  
Fred Louis Forsthoffer,  
Middleburg Heights  
Margaret Surbeck Foster,  
Worthington  
Thomas Eugene Gillespie, Zanesville  
Wendell Richard Globig, Madison  
Debra Joy Goldberg, Cleveland  
Douglas Alan Gormley, Barberton  
Lynn Ellen Harlamert, Anna  
Wendy Diane Harshman, Cincinnati  
Randi Marcia Heller, Northbrook, Ill.  
William Allen Hopper, Jr., Delaware  
Susan Farmer Johnson, Columbus  
Judith Meyers Kennedy, Columbus  
Howard Penn Krisher, II, Dayton  
Mark Stephen Lally, Columbus

Thomas David Lamarre, Sr.,  
Cincinnati  
Claudia McMurray Lament,  
Wapakoneta  
David Alan Lewis, Columbus  
Debra Sue Manson, Youngstown  
Ellen Park Marshall, Hebron  
Carol Sue Maurer, Anna  
Lois Niekamp McKibans,  
New Bremen  
Sharon Wales McMichael,  
Nokesville, Va.  
Eileen Horneman McNally,  
St. Louisville  
Donald Michael Miller, Somerset  
Marcia Lee Parry, Mansfield  
Lyn Dian Paulson, Columbus  
David August Paxton, Denver, Colo.  
John James Pendergast, Columbus  
William Roger Peterson, Toledo  
Ann Lu Piepenbrink,  
Fort Wayne, Ind.  
Cynthia Louise Pierce, Berea  
Carol Lewis Price, Worthington  
Tamara Ann Rainey, Canton  
Ahmad Abdul-Aziz Al-Rashed,  
Rias, Saudi Arabia  
Linda Collier Roberts, Columbus  
Bruce N. Rogers, Warren  
John Rutledge Rosebrough, Columbus  
Michael Nelson Schaeffer, Cincinnati  
Veronica Neuwirth Shavitt, Columbus  
Randall Craig Skinner, Columbus  
Darryl Rex Smith, Cincinnati  
Roger Dale Staton, Middletown  
Frank Henry Stieg, III, Fairfield  
Edward John Strauss, Jr., Pomeroy  
Glenn Alan Stripe, Akron  
Kathryn Forbush Suchy,  
Middleburg Heights  
Thomas Albert Thiry, Parma  
George Gary Tyack, Columbus  
Robert Clifford Wenger, Dayton  
Wallace Edward Wengler, Oxford  
Ann Miller White, Columbus  
Elizabeth Zulauf Williams, Nevada  
Diane Woltz, Elyria  
Janice Zurich, Amherst

### With Distinction in Animal Science

Andrew Francis Hudak, III, Parma

### With Distinction in History

David Randall Shearer, Westerville

Page 320 Blank



THE OHIO STATE UNIVERSITY  
OFFICIAL PROCEEDINGS OF THE  
ONE THOUSAND ONE HUNDRED AND FOURTH MEETING  
OF THE BOARD OF TRUSTEES

Columbus, Ohio, February 7, 1975

The Board of Trustees met at its regular monthly meeting on Friday, February 7, 1975, at The Ohio State University Fawcett Center for Tomorrow, Columbus, Ohio, pursuant to adjournment.

Present: William C. Safford, Chairman, Don M. Hilliker, John H. Dunlap, M. Merle Harrod, John L. Gushman, Howard D. Sirak, Patricia D. James, and Warren J Smith.

\* \* \*

Minutes of the last meeting were approved.

\* \* \*

The Chairman, Mr. Safford, introduced the new member of the Board of Trustees of The Ohio State University:

Warren J Smith, Columbus, Ohio, who was appointed by Governor John J. Gilligan to succeed James W. Shocknessy, for term beginning May 14, 1974 and ending May 13, 1983, with appointee taking office January 6, 1975. Mr. Smith will replace John W. Kessler whose appointment was not confirmed by the Ohio Senate.

\* \* \*

Amended Committee Appointments 1974-1975

Finance Committee

Warren J Smith

Buildings and Grounds Committee

Warren J Smith

Development Fund Board of Directors  
(One-year term)

Warren J Smith

Upon motion of Mr. Dunlap, seconded by Mr. Gushman, the Board of Trustees by voice vote approved the nominations to the Committees and the representative to the Development Fund Board of Directors.

- o -

RESOLUTIONS IN MEMORIAM

President Enarson reported to the Board the deaths of Willard P. Ashbrook, Professor Emeritus in the School of Health, Physical Education, and Recreation; John Bacon, Professor in the Department of Electrical Engineering; Donald S. Bell, Professor Emeritus in the Department of Animal Science; and Warner F. Woodring, Professor Emeritus in the Department of History. In accordance with the instructions of the Board of Trustees, copies of the following resolutions expressing on behalf of the University the sorrow and sympathy of the Board will be furnished the families of the deceased.

A. Willard P. Ashbrook

The Board of Trustees of The Ohio State University expresses its sorrow at the death on January 12, 1975, of Willard P. Ashbrook, Professor Emeritus in the School of Health, Physical Education, and Recreation.

Dr. Willard P. Ashbrook was born in Richmond, Virginia, on April 18, 1900. He received his bachelor's degree from Springfield College in 1924 and the Ph. D. degree from New York University in 1930. He taught at the State Teachers College in Cortland, New York, for several years and was an Assistant Professor at New York University from 1927 to 1933. He attended the Medical College of Virginia for two years but then left to join the faculty of The Ohio State University in 1935 and served for 35 years until his retirement in 1970. During World War II Dr. Ashbrook was commissioned as a Major in the U. S. Army and for two years was Chief of the Physical Reconditioning of Disabled Soldiers in eight army hospitals in the 5th Service Command.

RESOLUTIONS IN MEMORIAM (continued)

A. Willard P. Ashbrook (continued)

Dr. Ashbrook was nationally recognized for his work in the areas of adapted physical education and the evaluation of school programs in physical education and athletics. He was an active member of the American Association for Health, Physical Education, and Recreation and the National College Physical Education Association for Men, serving on many committees and contributing articles for their publications. At Ohio State University he taught classes in both the undergraduate and graduate major programs and served as a faculty adviser for countless students from freshmen through the doctoral dissertation. He gave distinction and quality to the graduate program in physical education which was initiated in the early 1930's. Dr. Ashbrook began the practice of bringing handicapped children to the University on Saturday mornings to provide teaching experience for major students.

Willard Ashbrook, as known and beloved by students and faculty alike, could be characterized in four ways: (1) a true Virginia gentleman who had none of the historic prejudices of the South; (2) a master teacher who emphasized the scientific and medical approach; (3) a lover of people who saw the good in human beings and encouraged the best from them; and (4) the poet laureate who did not openly display this very real talent. The Ashbrook personality was always marked by gentleness, thoughtfulness, tact, and consideration for the feelings and opinions of others.

During his lifetime Dr. Ashbrook was honored by several special awards. Springfield College gave him the Tarbell Medallion, the highest award for notable service by an alumnus of the college. He received the meritorious awards of both the Ohio Association for Health, Physical Education, and Recreation and the Franklin County Society for Crippled Children. In 1970 Dr. Ashbrook was granted the Distinguished Service Award of the College of Education of The Ohio State University.

On behalf of the University, the Board of Trustees expresses to the family its deep sympathy and sense of understanding in its loss. It was directed that this resolution be inscribed upon the minutes of the Board of Trustees and that a copy be tendered to the family as an expression of the Board's heartfelt sympathy.

B. John Bacon

The Board of Trustees expresses its sorrow at the death on January 5, 1975, of John Bacon, Professor in the Department of Electrical Engineering.

Professor Bacon was born in Bishopton, Durham, England, on September 3, 1916. He came to this country with his parents after the first World War and completed his elementary and secondary education in the public schools of Dayton, Ohio. After graduating from high school he worked for two years in electrical industries before entering The Ohio State University in 1936.

RESOLUTIONS IN MEMORIAM (continued)

B. John Bacon (continued)

He received his B.S.E.E. degree in 1940, and following further industrial experience he also completed his M.S. and Ph. D. degrees.

His first employment after his bachelor's degree was with the Wagner Electric Corporation in St. Louis. When the second World War began, he joined the Aircraft Radio Laboratory at Wright Field, where his work benefited from both his engineering skills and his long-term interest in amateur radio. For two years following the war he continued in similar work with the Federal Telecommunications Corporation.

In 1947 he joined The Ohio State University as a full-time engineer in the Antenna Laboratory of the Department of Electrical Engineering. He served in this position with great distinction. The specialized instrumentation systems he developed not only contributed substantially to the effectiveness of the Antenna Laboratory but were also of great value to the manufacturing companies that later produced them.

Although he made many important contributions in engineering practice, his principal objective from undergraduate days was to be an engineering teacher. From the time he began teaching as an Instructor in 1948 his door was always open to students who needed extra help. He constantly revised the undergraduate laboratories in automatic control in order to incorporate new developments. Because of his contributions to the teaching of automatic control he was appointed for eighteen months to assist the Indian Institute of Technology at Kanpur to establish a sound program in this subject. In recognition of his accomplishments in India he was given the Robert M. Critchfield Award for Meritorious Achievement.

Dr. Bacon was a member of Tau Beta Pi, Eta Kappa Nu, Sigma Xi, and the Institute of Electrical and Electronics Engineers.

On behalf of the University, the Board of Trustees expresses to the family its deep sympathy and sense of understanding in its loss. It was directed that this resolution be inscribed upon the minutes of the Board of Trustees and that a copy be tendered to the family as a humble expression of the Board's heartfelt sympathy in its bereavement.

C. Donald S. Bell

The Board of Trustees of The Ohio State University expresses its sorrow at the death on November 26, 1974, of Donald S. Bell, Professor Emeritus in the Department of Animal Science.

Professor Bell was born April 29, 1898, at Bell's Landing, Clearfield County, Pennsylvania, and was graduated from State College High School, State College, Pennsylvania, in 1917. He received his B.S. degree in 1921 from Pennsylvania State University and the M.S. degree in 1925

RESOLUTIONS IN MEMORIAM (continued)

C. Donald S. Bell (continued)

from The Ohio State University. He was an Instructor in Animal Husbandry at Pennsylvania State University, 1921-22, and was appointed Assistant in Animal Industry at the Ohio Agricultural Research and Development Center (then the Ohio Agricultural Experiment Station) in 1922, and was in charge of sheep research at that institution for forty-four years. He was appointed Associate in Animal Industry in 1926 and Professor in Animal Science in 1949. In 1952, he became Professor on the Graduate School faculty at The Ohio State University.

Professor Bell published work on the factors affecting wool growth and quality which has been recognized as a basic reference by researchers, both nationally and internationally. His early lamb nutrition studies explored the importance of mineral balance for lambs on finishing rations. His research helped to identify and to establish the value of type adaptation, crossbreeding, and other important factors affecting lamb meat production. His natural ability to inspire young men to greater achievement was a personal characteristic well recognized among his fellow workers. In 1956, he was presented the "Merit Award" by the Ohio Sheep Improvement Association for his distinguished service to the sheep industry of Ohio. In 1966, the title of Fellow was conferred on Professor Bell by the American Association of Animal Science.

Professor Bell was not only a dedicated scientist and teacher, but had a sense of community responsibility. He was a member of the Wooster Board of Education from 1954 to 1958, serving both as Vice President and President of that Board. He was a member of the Wooster Board of Recreation for seventeen years and of the City Planning Commission for two years. He served on the Board of Trustees of the First Presbyterian Church and became an Ordained Elder in 1957.

On behalf of The Ohio State University, the Board of Trustees expresses to the family its deep sympathy and sense of understanding in its loss. It was directed that this resolution be inscribed in the minutes of the Board of Trustees and that a copy be tendered to the family as a sincere expression of the Board's realization of the loss which the family and the University have sustained.

D. Warner F. Woodring

The Board of Trustees of The Ohio State University expresses its sorrow at the death on November 27, 1974, at Brookesmith, Texas, of Warner F. Woodring, Professor Emeritus in the Department of History.

Dr. Woodring was born December 5, 1892, at Angola, Indiana. He attended the local high school and was graduated in 1914 with a B.S. degree in engineering from Tri-State College in Angola. During World War I, he served in the United States Army, being attached to the Meteorological Service.

RESOLUTIONS IN MEMORIAM (continued)

D. Warner F. Woodring (continued)

In 1920 he was awarded a Fellowship at the University of Chicago. This was followed by a Teaching Assistantship until he received the Ph. D. degree in History in 1922. His special field of research was English political and legal history in the thirteenth and fourteenth centuries.

Professor Woodring held positions at Morningside College, Sioux City, Iowa, from 1922 to 1924, and at Allegheny College, Meadville, Pennsylvania, from 1924 to 1937. He came to The Ohio State University as a Visiting Professor of English History in 1937 and became a tenured Professor of the Department of History the following year, a position he filled with distinction until his early retirement in 1956 because of impaired vision. During his teaching career he was honored by invitations to serve as Visiting Professor at the University of Arkansas, University of Chicago, University of Southern California, and Pennsylvania State University.

Dr. Woodring was an erudite scholar with a prodigious memory and an easy and working fluency in French and Latin. He supplemented his English historical skill and knowledge by reading widely in English literature and art. He was fascinated by military and naval history and often regaled his colleagues and students with graphic descriptions of early European warships and episodes of the sea. He contributed many reviews of scholarly works to a number of professional journals and these were always models of perfection.

Professor Woodring loved to teach and he was most successful and effective, especially with advanced undergraduates and graduate students. He was a most demanding leader and in graduate seminars was an inspiring teacher with perfect give-and-take with the students and in discussions continued after class, sometimes almost endlessly. Superior students sought him out and benefited enormously from his association.

On behalf of the University, the Board of Trustees expresses to the family its deep sympathy and sense of understanding in its loss. It was directed that this resolution be inscribed upon the minutes of the Board of Trustees and that a copy be tendered to the family as an expression of the Board's heartfelt sympathy.

\*

\*

\*

President Enarson presented the following recommendations:

I. GENERAL RECOMMENDATIONS

A. Naming of Building

President Enarson recommended that the auditorium constructed as a part of the University Hall project and which is located at 2023 Neil Avenue be named "Independence Hall," to commemorate the Bicentennial of this country.

I. GENERAL RECOMMENDATIONS (continued)

B. Naming of Athletic Facility

President Enarson recommended that the Tennis Court Facility located east of Buckeye Village and northeast of the Athletic Facility North be named "Herman Wirthwein Tennis Facility." Herman Wirthwein served as Tennis Coach at The Ohio State University from 1926 to 1957.

C. Naming of Street

President Enarson recommended that the street between Perry Street and Cannon Drive adjacent to the new University Hospitals Clinic Building be named "Clinic Drive."

These recommendations are in accordance with the Bylaws of the Board of Trustees.

D. Change in Name of Degree

Upon the request of the School of Architecture and with the approval of the Council on Academic Affairs, President Enarson recommended that the title of the master's degree awarded by the School of Architecture be changed from Master of City Planning to Master of City and Regional Planning, effective immediately. This change is recommended to reflect more accurately the academic content of this program and the professional positions being filled by our graduates.

E. Degrees and Certificates Conferred--Winter Quarter Commencement

President Enarson recommended that degrees and certificates be conferred at the Winter Quarter Commencement Convocation on March 20, 1975, to those students who have completed the requirements for their respective degrees and certificates and are recommended by the University Senate. The names of those awarded degrees and certificates will be included in the minutes of this meeting. (See Appendix III, page 359.)

Upon motion of Mr. Harrod, seconded by Mr. Hilliker, the Board of Trustees approved the foregoing recommendations by unanimous voice vote.

F. Budget Summary - Second Quarter 1974-1975 Report  
(Quarter Ended December 31, 1974)

The current funds budget for 1974-1975 based on revenues and expenditures for the first two quarters of the fiscal year is presented for your consideration and approval. Significant changes from the first-quarter report have not been experienced. A slightly larger-than-expected enrollment has increased both fee revenues and instructional expenditures. State subsidy is the same as reported previously. State and federal grants are somewhat higher than estimated in September, 1974; their distribution by budget

February 7, 1975 meeting, Board of Trustees

I. GENERAL RECOMMENDATIONS (continued)

F. Budget Summary - Second Quarter 1974-75 Report  
(Quarter Ended December 31, 1974) (continued)

category has changed, with departmental instruction and research receiving the major portion of the increases in these restricted revenues.

President Enarson recommended that the above second quarter budget report be accepted. (See details pages 329-331.)

Upon motion of Mrs. James, seconded by Mr. Dunlap, the Board of Trustees approved the foregoing recommendation by unanimous roll call vote.

\*

\*

\*

II. PERSONNEL ACTIONS

Personnel actions since the January 10, 1975 meeting of the Board, as recorded in the official "Salary Roll" of the University, include the following Appointments, Leaves of Absence Without Salary, and Emeritus Titles:

A. Appointments

L. Orin Slagle from Acting Dean of the College of Law to Dean of the College of Law, effective immediately, at a salary of \$39,768.00 per annum.

Donald A. Senhauser, Professor and Chairman, Department of Pathology, effective July 1, 1975, at a salary of \$36,168.00 per annum.

Pamela M. Unger, Acting Director, Office of Women's Studies, effective immediately, at a salary of \$15,528.00 per annum.

B. Leaves of Absence Without Salary

Odette Blum, Assistant Professor, Department of Dance, effective October 1, 1975 through December 31, 1975, to be a Visiting Professor at University of Ghana.

Ala B. Hamoudi, Assistant Professor, Department of Pathology, effective January 17, 1975 through May 31, 1975, to be a Visiting Professor at the University of Baghdad Medical School.

James Morganstern, Assistant Professor, Division of History of Art, effective April 1, 1975 through June 30, 1975, to engage in scholarly pursuits.



THE OHIO STATE UNIVERSITY  
 Current General Funds Group Summary  
 Budgeted Expenditures for the 1974-75 Year

	Budget Approved September 30, 1974	Revised Budget December 31, 1974	Difference
<b>Columbus Campus</b>			
<b>Instructional and General</b>			
Departmental Instruction and Research	\$104,279,000	\$105,793,000	\$1,514,000
Instructional Services	2,194,000	2,213,000	19,000
Libraries	5,717,000	5,877,000	160,000
Student Services	4,307,000	4,489,000	182,000
Plant Operation	19,868,000	19,991,000	123,000
Institutional Expense	<u>8,618,000</u>	<u>8,810,000</u>	<u>192,000</u>
<b>Total Instructional and       General</b>	<b>\$144,983,000</b>	<b>\$147,173,000</b>	<b>\$2,190,000</b>
<b>Sponsored Research</b>			
Research Foundation	\$ 18,540,000	\$ 18,040,000	\$ (500,000)
Engineering Experiment Station	1,860,000	1,860,000	-0-
Research Administration	1,660,000	1,660,000	-0-
University Sponsored Research	1,786,000	1,976,000	190,000
Other Grants and Contracts	<u>1,379,000</u>	<u>1,819,000</u>	<u>440,000</u>
<b>Total Sponsored Research</b>	<b>\$ 25,225,000</b>	<b>\$ 25,355,000</b>	<b>\$ 130,000</b>
<b>Public Service</b>			
University Hospitals	\$ 52,781,000	\$ 52,781,000	\$ -0-
Cooperative Extension Service	14,007,000	13,759,000	(248,000)
Other Grants and Contracts	11,058,000	11,352,000	294,000
University Sponsored Programs	2,444,000	2,444,000	-0-
Conferences	<u>1,200,000</u>	<u>1,500,000</u>	<u>300,000</u>
<b>Total Public Service</b>	<b>\$ 81,490,000</b>	<b>\$ 81,836,000</b>	<b>\$ 346,000</b>
<b>Student Aid</b>			
Scholarships, Fellowships, and Loans	\$ 7,007,000	\$ 6,820,000	\$ (187,000)
Fee Remissions	<u>900,000</u>	<u>900,000</u>	<u>-0-</u>
<b>Total Student Aid</b>	<b>\$ 7,907,000</b>	<b>\$ 7,720,000</b>	<b>\$ (187,000)</b>

Budgeted Expenditures for the 1974-75 Year (continued)

	Budget Approved September 30, 1974	Revised Budget December 31, 1974	Difference
Columbus Campus (continued)			
Auxiliaries			
Student Housing	\$ 16,457,000	\$ 16,649,000	\$ 192,000
Intercollegiate Athletics	6,778,000	6,460,000	(318,000)
University Bookstores	3,657,000	3,803,000	146,000
Facilities Services	2,630,000	2,479,000	(151,000)
Meats Laboratory	1,758,000	1,449,000	(309,000)
Parking Facilities	1,725,000	1,725,000	-0-
Student Health Service	1,508,000	1,508,000	-0-
Student Unions	1,827,000	1,827,000	-0-
University Airport	1,251,000	1,325,000	74,000
Fawcett Center for Tomorrow	1,109,000	1,109,000	-0-
Other	634,000	634,000	-0-
Total Auxiliaries	\$ 39,334,000	\$ 38,968,000	\$ (366,000)
Total Columbus Campus	<u>\$298,939,000</u>	<u>\$301,052,000</u>	<u>\$2,113,000</u>
Regional Campuses			
Administration	\$ 126,000	\$ 126,000	\$ -0-
Lima Campus	1,706,000	1,693,000	(13,000)
Mansfield Campus	1,650,000	1,659,000	9,000
Marion Campus	1,046,000	1,080,000	34,000
Newark Campus	1,419,000	1,377,000	(42,000)
Agricultural Technical Institute	929,000	961,000	32,000
Total Regional Campuses	<u>\$ 6,876,000</u>	<u>\$ 6,896,000</u>	<u>\$ 20,000</u>
Grand Total	<u>\$305,815,000</u>	<u>\$307,948,000</u>	<u>\$2,133,000</u>

THE OHIO STATE UNIVERSITY  
 Current General Funds Group Summary  
 Sources of Income to Support the 1974-75 Budget

	Budget Approved September 30, 1974	Revised Budget December 31, 1974	Difference
<b>Columbus Campus</b>			
Government Appropriations			
State of Ohio	\$ 99,642,000	\$100,302,000	\$ 660,000
Federal	<u>38,605,000</u>	<u>39,350,000</u>	<u>745,000</u>
Subtotal	\$138,247,000	\$139,652,000	\$1,405,000
Student Fees			
Instructional and General	\$ 45,080,000	\$ 45,775,000	\$ 695,000
Room and Board	<u>12,611,000</u>	<u>12,646,000</u>	<u>35,000</u>
Subtotal	\$ 57,691,000	\$ 58,421,000	\$ 730,000
Recovered Costs	\$ 5,541,000	\$ 5,541,000	\$ -0-
Other Income			
Auxiliary Sales and Charges	\$ 68,707,000	\$ 67,958,000	\$ (749,000)
Departmental and University			
Services	14,450,000	14,450,000	-0-
Endowment Income	2,600,000	2,750,000	150,000
Gifts and Grants	9,492,000	9,999,000	507,000
Temporary Investments	1,900,000	2,000,000	100,000
Other	<u>282,000</u>	<u>282,000</u>	<u>-0-</u>
Subtotal	\$ 97,431,000	\$ 97,439,000	\$ 8,000
<b>Total Columbus Campus</b>	<u>\$298,910,000</u>	<u>\$301,053,000</u>	<u>\$2,143,000</u>
<b>Regional Campuses</b>			
Lima Campus	\$ 1,774,000	\$ 1,721,000	\$ (53,000)
Mansfield Campus	1,652,000	1,682,000	30,000
Marion Campus	1,035,000	1,125,000	90,000
Newark Campus	1,466,000	1,400,000	(66,000)
Agricultural Technical Institute	<u>949,000</u>	<u>968,000</u>	<u>19,000</u>
<b>Total Regional Campuses</b>	<u>\$ 6,876,000</u>	<u>\$ 6,896,000</u>	<u>\$ 20,000</u>
<b>Grand Total</b>	<u>\$305,786,000</u>	<u>\$307,949,000</u>	<u>\$2,163,000</u>

II. PERSONNEL ACTIONS (continued)

B. Leaves of Absence Without Salary (continued)

Mary Elizabeth Fontana Wise, Assistant Professor,  
Department of Medicine, effective February 1, 1975  
through April 30, 1975, for personal reasons.

C. Emeritus Titles

Yvonne L. Cook, Cooperative Extension Service, with  
the title Professor Emeritus, effective January 16,  
1975.

Pauline K. Mills, Cooperative Extension Service, with  
the title Professor Emeritus, effective January 1,  
1975.

Orlo L. Musgrave, Cooperative Extension Service,  
with the title Professor Emeritus, effective January 1,  
1975.

Chester Newton McGrew, Cooperative Extension Service,  
with the title Associate Professor Emeritus, effective  
January 1, 1975.

Olive Woodyard, Cooperative Extension Service, with  
the title Assistant Professor Emeritus, effective January 16,  
1975.

President Enarson recommended that the Appointments, Leaves of Absence  
Without Salary, Emeritus Titles, and personnel budget actions as recorded  
in the "Salary Roll" of the University be approved.

Upon motion of Mr. Harrod, seconded by Dr. Sirak, the Board of Trustees  
approved the foregoing recommendation by unanimous roll call vote.

\*

\*

\*

III. REPORT OF RESEARCH CONTRACTS, GRANTS, GIFTS, AND AGREEMENTS

SECOND QUARTER 1974-1975

OFFICE OF BUSINESS AND ADMINISTRATION

	Number of Projects	Level of Support	% Change from 1973-74
<u>Federal</u>			
Student Programs	2	\$ 90,563.00	92
Training Grants	<u>13</u>	<u>1,037,524.00</u>	<u>72</u>
Total - Federal	15	\$1,128,087.00	74
<u>State of Ohio</u>	11	458,011.00	54
<u>Industrial and Other</u>	<u>7</u>	<u>520,782.00</u>	<u>663</u>
Totals	33	\$2,106,880.00	108

THE OHIO STATE UNIVERSITY RESEARCH FOUNDATION

	Number of Projects	Level of Support	% Change from 1973-74
<u>Federal</u>			
U. S. Atomic Energy Com- mission	3	\$ 100,330.00	100
National Aeronautics and Space Administration	2	60,000.00	(63)
National Science Foundation	19	735,300.00	31
Department of Defense Health, Education, and Welfare	13	514,949.00	(15)
Other Federal	21	1,964,769.00	85
	<u>15</u>	<u>234,443.00</u>	<u>67</u>
Total - Federal	73	\$3,609,791.00	42
<u>State of Ohio</u>	1	65,328.00	(49)
<u>Industrial, Subcontracts/Grants, and Other Non-Federal</u>	<u>21</u>	<u>627,516.00</u>	<u>(82)</u>
Totals	95	\$4,303,635.00	(30)

February 7, 1975 meeting, Board of Trustees

III. REPORT OF RESEARCH CONTRACTS, GRANTS, GIFTS, AND AGREEMENTS  
(continued)

THE ENGINEERING EXPERIMENT STATION

	Number of Projects	Level of Support	% Change from 1973-74
<u>Federal</u>	2	\$ 12,503.00	14
<u>State</u>	4	33,718.00	(85)
<u>Industrial and Other</u>	<u>74</u>	<u>179,634.00</u>	<u>(6)</u>
Totals	80	\$ 225,855.00	(46)

THE OHIO STATE UNIVERSITY DEVELOPMENT FUND

	Number of Donors	Level of Support	% Change from 1973-74
<u>Annual Giving Group</u>	<u>8,774</u>	<u>\$ 246,645.66</u>	<u>2</u>
<u>Major Resources Group</u>			
Deferred Gifts	7	86,832.40	N. A.
Major Industrial Gifts	236	516,326.61	N. A.
Corporate Gifts	172	372,757.56	N. A.
Foundation and Non-Profit Organization Gifts	<u>138</u>	<u>603,807.92</u>	N. A.
Total	<u>553</u>	<u>\$1,579,724.49</u>	<u>(15)</u>
Totals	9,327	\$1,826,370.15	(13)

III. REPORT OF RESEARCH CONTRACTS, GRANTS, GIFTS, AND AGREEMENTS  
(continued)

President Enarson recommended that the following contracts and grants negotiated and monies received for the month of December 1974 be accepted.

Summary for December 1974

	No. of Projects	Support Level
Office of Business and Administration	6	\$ 599,370.00
The Ohio State University Research Foundation	29	1,768,294.50
The Engineering Experiment Station	3	<u>35,878.00</u>
		\$2,403,542.50
	(Donors)	
The Ohio State University Develop- ment Fund	3,749	\$ 930,398.15

A detailed listing of the items in each section is shown on the following pages.

Upon motion of Mr. Hilliker, seconded by Mrs. James, the research agreements between The Ohio State University and The Ohio State University Research Foundation for the contracts and grants reported herein, and the acceptance of the report from the Office of Business and Administration and The Ohio State University Development Fund, including the establishment of named funds, were approved by unanimous voice vote.

III. REPORT OF RESEARCH CONTRACTS, GRANTS, GIFTS, AND AGREEMENTS  
(continued)

A. Office of Business and Administration

1. Federal Contracts/Grants

- a. \$84,512.00 from United States Department of Justice, Law Enforcement Assistance Administration, Washington, D. C. --\$80,000.00 for Law Enforcement Education Program, Grant Award FY 1975 - Initial and \$4,512.00 for Law Enforcement Education Program, Grant Award FY 1975 - Supplemental, under the direction of Student Financial Aids, for period July 1, 1974 through June 30, 1975. (Vendor Code 003090)
- b. \$27,000.00 from Environmental Protection Agency, Negotiated Contracts Branch, Contracts Management Division, Cincinnati, Ohio, for Neurochemical Analysis of Brain Tissue, under the direction of Department of Pharmacology, for period December 31, 1974 through December 30, 1975. (Contract No. 68-03-2157)
- c. \$12,684.00 additional funds from Department of Health, Education, and Welfare, Office of Education, Washington, D. C., for Abstracts of Instructional Materials (AIM) and Abstracts of Research Materials (ARM) on Vocational and Technical Education, under the direction of Center for Vocational and Technical Education, for period February 1, 1973 through February 28, 1975. (Grant No. OEG-0-73-3016, Revision No. 3)

TOTAL - Federal Contracts/Grants \$124,196.00

2. State of Ohio Contracts/Grants

- a. \$29,828.00 from State of Ohio, Department of Health, Columbus, Ohio, for Field Service in Speech and Language for Aphasics, under the direction of Department of Communication, \$17,828.00 for period July 1, 1974 through December 31, 1974 and \$12,000.00 for period January 1, 1975 through June 30, 1975.
- b. \$2,880.00 from State of Ohio, Department of Natural Resources, Columbus, Ohio, for Division of Wildlife Upland Wildlife Ecology Research and Management Study entitled "Toxic Metals in Ohio Wildlife," under the direction of Department of Zoology, for period July 1, 1974 through June 30, 1975. (Project No. W-103-R-18)

TOTAL - State of Ohio Contracts/Grants \$32,708.00

3. Industrial and Other Contract/Grant

- a. \$442,466.00 from National Training Fund of the Sheet Metal and Air Conditioning Industry, Washington, D. C., for training sheet metal and air conditioning apprentices in industry (1975), under the direction of Center for Vocational and Technical Education, for period January 1, 1975 through December 31, 1975. (NTF Contract No. .02)



III. REPORT OF RESEARCH CONTRACTS, GRANTS, GIFTS, AND AGREEMENTS  
(continued)

B. The Ohio State University Research Foundation

1. Federal Research Contracts/Grants

- a. \$927,347.00 from Department of Health, Education, and Welfare, Office of Education, Washington, D. C., for Establishing and Operating a National Center on Educational Media for the Handicapped, under the direction of Academic Faculty of Curriculum and Foundations, for period September 1, 1974 through August 31, 1975. (Project 3471 - Mod. #5)
- b. \$124,969.00 from Department of the Air Force, Rome Air Development Center, Griffiss Air Force Base, New York, for Atmospheric Absorption Studies, under the direction of Department of Electrical Engineering, ElectroScience Laboratory, for period October 1, 1974 through June 30, 1975. (Project 4054-A1 - New)
- c. \$122,300.00 from National Science Foundation, Washington, D. C., for Computer-Controlled Linkage Systems for Locomotion and Manipulation, under the direction of Department of Electrical Engineering, for period December 1, 1974 through November 30, 1976. (Project 4074-A1 - New)
- d. \$98,280.00 from Department of Transportation, Federal Highway Administration, Washington, D. C., for Field Test and Evaluation Center for Eastern States - Reference Skid Measurement System - Design and Drawings, under the direction of College of Engineering, Engineering Experiment Station, for period June 21, 1974 through February 28, 1975. (Project 3535-C1 - Mod. #7)
- e. \$40,000.00 from Department of the Air Force, Air Force Systems Command, 4950th Test Wing/PMEA, Wright-Patterson Air Force Base, Ohio, for Low Radar Cross Section Antenna Study, under the direction of Department of Electrical Engineering, ElectroScience Laboratory, for period January 2, 1975 through December 31, 1975. (Project 4103-A1 - New)
- f. \$39,829.00 additional funds from Department of the Navy, Naval Regional Procurement Office, Long Beach, California, for Pattern Optimization of Wing Mounted Array Antennas at UHF, under the direction of Department of Electrical Engineering, ElectroScience Laboratory. (Project 3884-A1 - Mod. #P00001)
- g. \$35,500.00 from National Science Foundation, Washington, D. C., for Strained Polycyclic Aromatic Hydrocarbons, under the direction of Department of Chemistry, for period January 1, 1975 through December 31, 1975. (Project 4102-A1 - New)

III. REPORT OF RESEARCH CONTRACTS, GRANTS, GIFTS, AND AGREEMENTS  
(continued)

B. The Ohio State University Research Foundation (continued)

1. Federal Research Contracts/Grants (continued)

- h. \$30,400.00 from National Science Foundation, Washington, D. C., for Low-Temperature Transport Phenomena in Metals, under the direction of Department of Physics, for period December 15, 1974 through December 14, 1975. (Project 4089-A1 - New)
- i. \$27,557.00 from Department of Health, Education, and Welfare, Public Health Service, National Institutes of Health, National Institute of Neurological Diseases and Stroke, Bethesda, Maryland, for The Role of the Red Nucleus in Motor Function, under the direction of Department of Anatomy, for period January 1, 1975 through December 31, 1975. (Project 2956-D - Ext. #4)
- j. \$25,850.00 from Department of the Air Force, 2750th Air Base Wing/PMA, Wright-Patterson Air Force Base, Ohio, for Training Program for Laboratory Personnel in Government Contracting Principles, under the direction of College of Administrative Science, Division of Continuing Education, for period December 2, 1974 through May 31, 1975. (Project 4086-A1 - New)
- k. \$20,400.00 from Department of the Navy, Office of Naval Research, Arlington, Virginia, for Defense Contract Law Course, under the direction of College of Administrative Science, Division of Continuing Education, for period July 1, 1974 through September 30, 1975. (Project 4077-A1 - New)
- l. \$16,000.00 from Department of the Navy, Office of Naval Research, Arlington, Virginia, for Carbon Monoxide Studies, under the direction of Department of Physiology, for period November 1, 1974 through October 31, 1975. (Project 4084-A1 - New)
- m. \$15,900.00 from National Science Foundation, Washington, D. C., for Presentation Variables in Serial Pattern Processing, under the direction of Department of Psychology, for period May 1, 1975 through April 30, 1976. (Project 4085-A1 - New)
- n. \$8,400.00 from Civil Service Commission, Washington, D. C., for Evaluating a Contractor's Performance Course, under the direction of College of Administrative Science, Division of Continuing Education, for period November 1, 1974 through October 15, 1975. (Project 4033-F1 - New)
- o. \$8,400.00 from Civil Service Commission, Washington, D. C., for Government Property Administration, under the direction of College of Administrative Science, Division of Continuing Education, for period November 1, 1974 through November 1, 1975. (Project 4033-G1 - New)

III. REPORT OF RESEARCH CONTRACTS, GRANTS, GIFTS, AND AGREEMENTS  
(continued)

B. The Ohio State University Research Foundation (continued)

1. Federal Research Contracts/Grants (continued)

- p. \$8,400.00 from Civil Service Commission, Washington, D. C., for Basic Procurement, under the direction of College of Administrative Science, Division of Continuing Education, for period January 1, 1975 through December 30, 1975. (Project 4033-H1 - New)
- q. \$5,058.00 from Department of Health, Education, and Welfare, Public Health Service, Food and Drug Administration, Rockville, Maryland, for Pathologic Support for Evaluation of Cardiotoxic Drugs in the Canine, under the direction of Department of Pathology, for period May 7, 1971 through November 30, 1974. (Project 3242-A1 - Mod. #6 and Mod. #7)
- r. \$3,037.50 additional funds from Civil Service Commission, Washington, D. C., for Inter-Government Training Course Preparation and Instruction, under the direction of College of Administrative Science, Division of Continuing Education. (Project 3808-G1 - Purchase Orders Dtd. 11/26/74 and 12/2/74)
- s. \$2,900.00 from National Science Foundation, Washington, D. C., for Doctoral Dissertation Research: Reproductive Biology in Araucaria, under the direction of Department of Botany, for period January 1, 1975 through May 31, 1976. (Project 4075-A1 - New)
- t. \$450.00 additional funds from Department of Health, Education, and Welfare, Office of Education, Washington, D. C., for Program Officer's Course in Government Contracting, under the direction of College of Administrative Science, Division of Continuing Education. (Project 4044-A1 - Purchase Order #SA-2621-75)
- u. \$200.00 additional funds from Department of Health, Education, and Welfare, Public Health Service, Health Resources Administration, Rockville, Maryland, for Program Official's Guide to Contracting, under the direction of College of Administrative Science, Division of Continuing Education. (Project 4068-A1 - Mod. #1)

TOTAL - Federal Research Contracts/Grants \$1,561,177.50

2. Industrial, Subcontracts/Grants and Other  
Non-Federal Research Contracts/Grants

- a. \$98,592.00 from The Ohio Valley Health Services Foundation, Inc., Athens, Ohio, for Education Component of the Consolidated Emergency Medical Services System for Southeastern Ohio, under the direction of Department of Preventive Medicine, for period October 1, 1972 through June 30, 1975. (Project 3615-A1 - Amend. #2)

III. REPORT OF RESEARCH CONTRACTS, GRANTS, GIFTS, AND AGREEMENTS  
(continued)

B. The Ohio State University Research Foundation (continued)

2. Industrial, Subcontracts/Grants and Other

Non-Federal Research Contracts/Grants (continued)

- b. \$26,400.00 from World Health Organization, Geneva, Switzerland, for Evaluation of the Safety of Immunizing Female Baboons with Synthetic HCG Peptides as a Fertility Control Measure, under the direction of Department of Medical Microbiology, for period December 26, 1974 through December 26, 1975. (Project 4106-A1 - New)
- c. \$24,974.00 from Union Carbide Corporation, Nuclear Division, Oak Ridge, Tennessee, for Fundamental Study of Spiking in Partial Penetration Electron Beam Welding of Uranium and Refractory Materials, under the direction of Department of Welding Engineering, for period November 1, 1974 through October 31, 1975. (Project 2918-D - Sup. Agreement #9)
- d. \$20,868.00 from Philip Morris, N.S.A. Research Center, Richmond, Virginia, for The Effect of Nicotine on Excitatory and Inhibitory Processes in Learned and Unlearned Behavior, under the direction of Department of Psychology, for period January 1, 1975 through December 31, 1975. (Project 4094-A1 - New)
- e. \$10,500.00 from Dairy Research, Inc., Rosemont, Illinois, for Psychotropic Sporeformers in Market Mills, under the direction of Department of Food Science and Nutrition, for period January 1, 1975 through December 31, 1975. (Project 4096-A1 - New)
- f. \$10,000.00 from The Deafness Research Foundation, New York, New York, for X-Ray Microanalysis of Inner Ear Tissue, under the direction of Department of Otolaryngology, for period January 1, 1975 through December 31, 1975. (Project 3608-A3 - Ltr. Dtd. 12/13/74)
- g. \$9,896.00 from The Deafness Research Foundation, New York, New York, for Clinical Posturography, under the direction of Department of Otolaryngology, for period January 1, 1975 through December 31, 1975. (Project 4092-A1 - New)
- h. \$5,887.00 from Rachelwood Wildlife Research Preserve, Pittsburgh, Pennsylvania, for A Study of Oak Mast as a Potential Inhibitor of Ovulation in White-Tailed Deer, under the direction of Department of Zoology, for period January 1, 1975 through December 31, 1975. (Project 4107-A1 - New)

TOTAL - Industrial, Subcontracts/Grants and Other

Non-Federal Research Contracts/Grants \$207,117.00

III. REPORT OF RESEARCH CONTRACTS, GRANTS, GIFTS, AND AGREEMENTS  
(continued)

C. The Engineering Experiment Station

1. Federal Research Contract

- a. \$3,403.00 from U. S. Department of the Interior, Washington, D. C., for Director's Account, OWRR FY 75 Allotment Program, under the direction of Department of Civil Engineering, for period July 1, 1974 through June 30, 1975. (EES 485)

2. State of Ohio Research Contract

- a. \$23,933.00 from State of Ohio - Department of Highways, Columbus, Ohio, for Evaluation of Illumination Designs for Accident Reduction at High Nighttime - Accident Highway Sites, under the direction of Department of Industrial and Systems Engineering, for period May 5, 1975 through December 14, 1975. (EES 434B, Ext. #3)

3. Industrial and Other Research Contract

- a. \$8,542.00 from Kimberly-Clark Corporation, Neenah, Wisconsin, for Ultrasonic Cavitation Study, under the direction of Department of Engineering Mechanics, for period December 2, 1974 through June 2, 1975. (EES 500)

D. The Ohio State University Development Fund

1. Gifts of \$5,000 or More

- a. \$250,000.00 from The A. B., Dolly and Ralph Cohen Foundation, Cincinnati, Ohio, for the University Activities Center.
- b. \$50,000.00 from Nationwide Mutual Insurance Company, Columbus, Ohio, for the University Activities Center.
- c. \$32,245.59 from The Associates of Medicine, Columbus, Ohio-- \$30,998.36 to continue support of the Department of Medicine General Fund and \$1,247.23 for the Cardiology Support Fund.
- d. \$20,000.00 from Mr. John F. Moxley, Medina, Ohio, for a purpose to be designated at a later date.
- e. \$18,000.00 from Edward C. and Hazel L. Stephenson Foundation, Grosse Pointe Woods, Michigan, for their named scholarship fund.
- f. \$16,611.65 from Children's Hospital - Dispatch Charities Pro-Am Championship, Columbus, Ohio, for an endowed scholarship fund for students in the College of Law.

III. REPORT OF RESEARCH CONTRACTS, GRANTS, GIFTS, AND AGREEMENTS  
(continued)

D. The Ohio State University Development Fund (continued)

1. Gifts of \$5,000 or More (continued)

- g. \$14,897.50 from C. R. Porthouse Charitable Trust, Kent, Ohio (given in the names of Mr. and Mrs. Cyril R. Porthouse, Mr. and Mrs. J. David Porthouse, and Roberta A. Benich), for the University Activities Center.
- h. \$10,000.00 from The City National Bank and Trust Company, Columbus, Ohio, for the University Activities Center (State of Israel Twenty Year 5.50% Dollar Bond No. X AFDI 1011).
- i. \$10,000.00 from the Gleason Memorial Fund, Inc., Rochester, New York, for its scholarship fund in Engineering.
- j. \$10,000.00 from Roscoe C. Iddings Benevolent Trust, Dayton, Ohio, for the College of Law Emergency Fund.
- k. \$10,000.00 from The Everett Reese Fund of the Columbus Foundation, Columbus, Ohio (given in the name of J. Gilbert Reese, Newark, Ohio), for the Gilbert A., J. Calvin and Everett D. Reese Loan Fund.
- l. \$9,050.00 from Hoffman-LaRoche, Inc., Nutley, New Jersey, for infectious disease research.
- m. \$9,000.00 from Estate of Melvin E. Moffitt, San Antonio, Texas, for an unrestricted memorial fund.
- n. \$9,000.00 from Mr. John B. Patton, Columbus, Ohio, for the Mary Louise Patton Memorial Loan Fund.
- o. \$7,000.00 from The Babcock and Wilcox Company, Alliance, Ohio, for their fellowship fund in Metallurgical Engineering.
- p. \$6,000.00 from Abbott Laboratories, North Chicago, Illinois, for research in the College of Medicine.
- q. \$5,992.19 from Mr. Richard M. Ross, Columbus, Ohio, for assistance in the purchase of the Rinhart Collection of Daguerreian Art.
- r. \$5,000.00 from Amoco Foundation, Inc., Chicago, Illinois-- \$3,000.00 for the Distinguished Teachers Award Fund and \$2,000.00 for the University Emergency Fund.
- s. \$5,000.00 from Clow Foundation, Oak Brook, Illinois, for support of research in the College of Medicine.

III. REPORT OF RESEARCH CONTRACTS, GRANTS, GIFTS, AND AGREEMENTS  
(continued)

D. The Ohio State University Development Fund (continued)

1. Gifts of \$5,000 or More (continued)

- t. \$5,000.00 from The Thomas J. Evans Foundation, Newark, Ohio, for the College of Law Emergency Fund.
- u. \$5,000.00 from Max M. and Marjorie S. Fisher Foundation, Inc., Detroit, Michigan (given in the name of Max M. Fisher), for the Novice G. Fawcett Chair of Educational Administration.
- v. \$5,000.00 from Mrs. Wilhelmina S. Kinsey, Columbus, Ohio, for an endowment fund for scholarships for students who have demonstrated excellent ability, preferably women students in the College of Education.
- w. \$5,000.00 from Mr. Allen L. Patrick, Columbus, Ohio, for a new student loan fund in Architecture.
- x. \$5,000.00 from Mr. William J. Richards, Circleville, Ohio, for a purpose to be designated at a later date.
- y. \$5,000.00 from The Joseph & Helen Skilken Foundation, Columbus, Ohio--\$4,000.00 (given in the name of Steven A. Skilken) and \$1,000.00 (given in the name of Helen R. Skilken) for the University Activities Center.
- z. \$5,000.00 from Chester C. Winter, M. D., Worthington, Ohio, for the Division of Urology Development Fund.
- aa. \$5,000.00 from Henry A. Wise, II, M. D., Columbus, Ohio, for the Division of Urology Development Fund.

2. Establishment of Named Funds

- a. \$5,095.00 from former students, colleagues, family, and friends of Herbert A. Toops for the establishment of The Herbert A. Toops Prize for Creativity.

The Herbert A. Toops Prize for Creativity

The Herbert A. Toops Prize for Creativity was established February 7, 1975, by the Board of Trustees of The Ohio State University with gifts through the Development Fund from former students, colleagues, family, and friends of Herbert A. Toops (B.A. '16, B.S. '16, M.A. '17), Professor of Psychology at The Ohio State University for 42 years, late of Columbus, Ohio.

III. REPORT OF RESEARCH CONTRACTS, GRANTS, GIFTS, AND AGREEMENTS  
(continued)

D. The Ohio State University Development Fund (continued)

2. Establishment of Named Funds (continued)

a. The Herbert A. Toops Prize for Creativity (continued)

All gifts are to be invested in the University's Permanent Endowment Fund, under the rules and regulations adopted by the Board of Trustees of The Ohio State University, with the right to invest and reinvest as occasion dictates.

The annual income is to be used to provide one or more awards for graduate students who have demonstrated creative skills in research in psychology. The selection of the recipient is to be made upon the recommendation of the Chairman of the Department of Psychology. Preference is to be given to students enrolled in the Department of Psychology.

Should the need for these awards cease to exist or so diminish as to provide unused income, then the income may be used for any purpose whatsoever as determined by the Board of Trustees, with preference being given to recommendations from the appropriate administrative official of the University who is then directly responsible for Psychology education.

- b. \$5,000.00 from Dorothy Kuder Smith and Floyd F. Smith for the establishment of The Dorothy Kuder Smith and Floyd F. Smith Scholarship Fund in Floriculture and Entomology.

The Dorothy Kuder Smith and Floyd F. Smith  
Scholarship Fund in Floriculture and Entomology

The Dorothy Kuder Smith and Floyd F. Smith Scholarship Fund in Floriculture and Entomology was established February 7, 1975, by the Board of Trustees of The Ohio State University with a gift to The Ohio State University Development Fund from Dorothy Kuder Smith and Floyd Franklin Smith, B.S. '23, M.S. '24, and Ph. D. '29, of Silver Spring, Maryland.

All gifts are to be invested in the University's Permanent Endowment under the rules and regulations adopted by the Board of Trustees of The Ohio State University, with the right to invest and reinvest as occasion dictates.

The annual income is to be equally divided to provide one scholarship to a student enrolled in the Division of Floriculture of the Department of Horticulture in the College of Agriculture and Home



III. REPORT OF RESEARCH CONTRACTS, GRANTS, GIFTS, AND AGREEMENTS  
(continued)

D. The Ohio State University Development Fund (continued)

2. Establishment of Named Funds (continued)

- b. The Dorothy Kuder Smith and Floyd F. Smith Scholarship Fund in Floriculture and Entomology (continued)

Economics and one scholarship to a student enrolled in the Department of Entomology in the College of Biological Sciences. Selection of the recipients is to be made by the University Scholarship Committee upon the recommendations of the Chairmen of Horticulture and Entomology.

Should the need for these scholarships cease to exist or so diminish as to provide unused income, then the income may be used for any purpose whatsoever as determined by the Board of Trustees, with preference being given to recommendations from the appropriate administrative officials of the University who are then directly responsible for floriculture and entomology education.

- c. \$1,000.00 from Gerald Weisberg for the establishment of The Gerald Weisberg Scholarship Fund.

The Gerald Weisberg Scholarship Fund

The Gerald Weisberg Scholarship Fund was established February 7, 1975, by the Board of Trustees of The Ohio State University with gifts to The Ohio State University Development Fund from Gerald Weisberg, D. D.S. '58, Hamilton, Ohio.

All gifts are to be invested in the University's Permanent Endowment under the rules and regulations adopted by the Board of Trustees of The Ohio State University, with the right to invest and reinvest as occasion dictates.

The annual income is to be added to the principal until the fund reaches \$10,000. At that time, one or more scholarships will be made available to current or former athletes enrolled in and pursuing a degree in the healing arts area. Selection of the recipient(s) will be made by the University Scholarship Committee.

Should the need for this scholarship cease to exist or so diminish as to provide unused income, then the income may be used for any purpose whatsoever as determined by the Board of Trustees, with preference being given to recommendations from the appropriate administrative official of the University who is directly responsible for medical education.

\*

\*

\*

IV. BUSINESS AND ADMINISTRATION

A. Plans and Specifications

At the request of the Vice President for Business and Administration, President Enarson recommended that the plans and specifications, bills of materials, and estimates of cost for the following projects be approved by the Board of Trustees:

1. Clinical Medical Sciences Education Facility  
(Supporting Services Phase)

This project is a major facility to be located adjacent to the existing University Hospital in the Medical Center Complex. Connections will be provided to University Hospital and Means Hall. Included in the new facility will be areas for supporting services badly needed for efficient operation of the existing Hospital as well as a new Hospital entrance and a clinical classroom area.

Funds are budgeted in H. B. 985, Item 315-077 (Clinical Medical Sciences Education Facility), Federal Grant, and Budget Account 801266 (Clinical Medical Sciences).

Mr. George Page, of the architectural firm of Page Sutherland and Page, made a presentation of the architectural plans for the Clinical Medical Sciences Education Facility.

2. Lima Campus, Phase IV

This project will provide a new building which will have facilities for classrooms, laboratories, offices, recreational facilities, and a learning resources center. The building will be located on a quadrangle bounded by the existing buildings at the Lima Campus.

Funds are budgeted in H. B. 985, Item 315-083 (Lima Branch, Ohio State University, in cooperation with North Central Ohio Technical College).

3. Marion Campus, Phase II

This project will provide a new building which will have facilities for the Technical Education Program of the Marion Technical College and the Baccalaureate Program of The Ohio State University. The new building will be located east of the Marion Academic Center.

Funds are budgeted in H. B. 985, Item 315-088, and H. B. 988, Item 359-001 (The Ohio State University, in cooperation with Marion Technical College).

IV. BUSINESS AND ADMINISTRATION (continued)

A. Plans and Specifications (continued)

4. Recreation, Physical Education, Intramural Facilities, Dispersed Facilities

The Dispersed Facilities consists of three Recreational Areas in close proximity to student concentration, being the first major construction for this entire project which is known as "Recreation, Physical Education, Intramural Facilities."

These recreation buildings can have the sides opened by roll-up doors, will contain minimal heat, toilet facilities, and storage areas.

The North Campus Recreation area will be located at the corner of Lane and Neil Avenues, and will include an arch-type building. The South Campus Recreation area will be located at the corner of West 11th Avenue and Worthington Street and will be an identical type building. The West Campus Recreation area will be located along the west side of Kenny Road, South of Carmack Road.

Funds are provided in H. B. 985, Item 315-081 (Recreation, Physical Education, Intramural Facilities), and Budget Account 801295 (Gifts).

5. Means Hall--Renovation of Second Floor East

This project will consist of remodeling the patient-room area of the second floor east for a medical intensive care unit which includes an isolation room laboratory, dispensary, and visitors' waiting room.

Funds are provided in Budget Account 801309 (Means Hall--Intensive Care).

6. Galvin Hall--Repair to Roof and Ventilation (Lima Campus, The Ohio State University)

This project will provide for the replacement of the roof which has failed and the investigation of the ventilating system and controls, which may have contributed to the roof failure.

Funds are provided in Budget Account 129001 (University College - Improvements).

Upon motion of Mr. Harrod, seconded by Mr. Gushman, the above recommendations were approved by unanimous roll call vote, and the Secretary was authorized and directed to sign the plans and specifications for the above projects for and on behalf of the Board of Trustees. The Vice President for Business and Administration was directed to proceed with a request for bids in the normal University manner, and if satisfactory bids are received to proceed with the award of contracts. All action regarding this matter will be reported to the Board of Trustees at a later meeting.

IV. BUSINESS AND ADMINISTRATION (continued)

B. Other

1. Easements

Lane Avenue--Road Widening

The City of Columbus has requested an easement on the south side of Lane Avenue from Neil Avenue to the east right-of-way line of the Olentangy River Road. This easement will be for the purpose of widening Lane Avenue. The easement from Neil Avenue west to the east right-of-way line of the Olentangy River Road will be 20 ft. wide and a total of 2,329 ft. in length containing approximately 1.252 acres. This easement is to be granted contingent with the finalizing of the vacation by the City of Woodruff Avenue from High Street to its western terminus, Frambes Avenue, Poe and Joe Alleys from Neil Avenue to Tuttle Park Place and Neil Avenue and Tuttle Park Place from Lane Avenue to Woodruff Avenue.

It was recommended that the President and/or Vice President for Business and Administration be authorized to request the Director of the Department of Administrative Services, pursuant to his statutory duties, to act on behalf of the University in developing the necessary legal instruments to provide for this easement with contingencies as required.

Recreation, Physical Education, Intramural Facilities -  
West Eleventh Avenue

In the construction of the Recreational Physical Education Facility on West Eleventh Avenue, it is required that the University provide a utility easement to the City of Columbus, Columbus and Southern Ohio Electric Company, Columbia Gas of Ohio, Inc., and the Ohio Bell Telephone Company. This utility easement will enable the above utilities to be constructed around the proposed building within the granted twenty-foot easement.

It was recommended that the President and/or Vice President for Business and Administration be authorized to request the Director of the Department of Administrative Services, pursuant to his statutory duties, to act on behalf of the University in developing the necessary legal instruments to provide for this easement for each utility required.

2. Transfer of Board of Trustees and State  
of Ohio Lands to the City of Columbus

The City of Columbus is planning to construct a Recreation Park north of Lane Avenue within the Olentangy River Tuttle Park area. The City Division of Parks and Recreation has requested that the University

IV. BUSINESS AND ADMINISTRATION (continued)

B. Other (continued)

2. Transfer of Board of Trustees and State  
of Ohio Lands to the City of Columbus (continued)

transfer, at no cost to the City, certain State of Ohio (The Ohio State University) and Board of Trustees, The Ohio State University, land by title to the City of Columbus. The lots within the park area are as follows:

Board of Trustees Owned:

Lots 159 through 171, 179 through 183, north 1/2 of Lot 184, north 1/4 of Lot 185, and Lot 186 in Thompson's Northwood Heights Addition

Lots 61, 63, 65, 137, 139 in Montgomery and McKee's Amended and Corrected Plot of Laura M. Knickerbocker's Second Subdivision

State of Ohio Owned:

Lots 132 through 135 of Montgomery and McKee's Amended and Corrected Plot of Laura M. Knickerbocker's Second Subdivision

The park will provide recreation facilities for the public including Ohio State University students, staff, and faculty without reservations.

In the event this park is not completed or the recreation facility ceases to be operated by the City of Columbus, the lots will revert to the University.

Upon approval of this proposal by this Board, it was recommended that legal counsel be instructed to prepare the necessary legal documents effecting the transfer of the Board of Trustees' property to the City and that the necessary legal documents be developed for presentation to the State Legislature for the transfer of the four State-owned lots to the City of Columbus.

3. Lease - 2470 North Star Road to the Ohio  
Educational Television Network Commission

The Ohio Educational Television Network Commission has requested to renegotiate the lease for the building and grounds at 2470 North Star Road, formerly occupied by The Ohio State University Telecommunications Center. The term of this lease will be seven years with an option for an eight-year extension, or a total of fifteen years.

IV. BUSINESS AND ADMINISTRATION (continued)

B. Other (continued)

3. Lease - 2470 North Star Road to the Ohio Educational Television Network Commission (continued)

In accordance with the conditions of this lease, the Ohio Educational Television Network Commission will replace the present obsolete broadcasting tower with a modern microwave tower that, at the conclusion of this fifteen-year lease, will become the property of The Ohio State University.

It was recommended that the Vice President for Business and Administration as Secretary of the Board of Trustees be authorized to execute the lease agreement as prepared and submitted by the Director of Administrative Services.

Upon motion of Dr. Sirak, seconded by Mr. Gushman, the Board of Trustees approved the foregoing recommendations by unanimous roll call vote.

\*

\*

\*

V. REPORTS

A. Report from the Insurance Committee

Dr. Sirak, as Chairman of the Insurance Committee of this Board, made the following recommendation:

Student Health Insurance Contract

That Mutual of Omaha be awarded the Student Health Insurance Contract, effective the first day of classes Autumn Quarter 1975, for a period of two years. The contract will provide additional benefits to those now available under the terms of the current Mutual of Omaha Student Health Insurance Contract.

This coverage will be available on an optional basis to all registered students at the following premium schedule:

<u>Classification</u>	<u>Quarterly Premium Rates</u>
Student	\$17
Student and Spouse	39
Student, Spouse and All Children	60
Student and Dependent Child or Children	38

V. REPORTS (continued)

A. Report from the Insurance Committee (continued)

Dr. Sirak's recommendation (continued)

This Student Health Insurance Contract has been recommended by the Subcommittee on Student Insurance of the Council on Student Affairs, endorsed by the Council on Student Affairs and approved by the Office of the Vice President for Student Services.

Upon motion of Dr. Sirak, seconded by Mr. Harrod, the Board of Trustees approved the foregoing recommendation by unanimous roll call vote.

B. Report to the Faculty, Staff and Students - University Energy Conservation Coordinating Committee

President Enarson presented the following report:

In negotiations with Columbia Gas of Ohio, it was determined that the Hospital facilities and Housing facilities served through McCracken Power Plant are properly classified as commercial users and not subject to either industrial gas allocation reduction or commercial gas allocation reduction. As a result of this, 23% of the gas allocation to McCracken Power Plant was judged to be not subject to reduction. However, it will be charged for at the commercial rate which is approximately 20% above the industrial rate. Industrial gas allocations have historically been on an interruptible basis and therefore at a lower unit cost.

The effect of this change in allocation and classification is indicated by the following table:

<u>Month</u>	<u>1973-74 Allocation</u>	<u>1973-74 Consumption</u>	<u>1974-75 Allocation</u>
November	253,400	219,772	208,875
December	265,100	190,046	172,315
January	267,000	235,800	92,515
February	263,100	224,684	91,164
March	257,300	183,226	89,154

<u>Month</u>	<u>Comm. Gas Allocation</u>	<u>Total Allocation</u>	<u>1974-75 Consumption</u>
November			186,731
December			187,131
January	61,410	153,925	96,448
February	60,513	151,677	
March	59,179	148,333	

V. REPORTS (continued)

B. Report to the Faculty, Staff and Students - University Energy Conservation Coordinating Committee (continued)

President Enarson's report (continued)

When we were under our tightest restriction on industrial gas at the McCracken Power Plant, we burned 941,654 gallons of fuel oil, which exceeded the allocation for the year from our regular supplier. Availability from other suppliers has allowed us to purchase this amount and continue to keep our storage tanks full for emergency use.

Cost of energy purchased as fuel oil exceeded the cost of a comparable supply of gas energy at industrial rate by approximately \$172,000.

During the tightest time of restriction, some extreme measures were taken in relation to closing a number of buildings, some of which contained branch libraries, during the evening and weekend hours. With the relief experienced through the change in gas allocation and due to the mild winter and campus-wide conservation of energy, it has been found possible to reopen these branch libraries on a schedule similar to that in operation during the Winter Quarter of 1973-74.

A program of electrical use monitoring has been expanded by the cooperation of building monitors and their appointment of floor deputies to review the use of electricity during unoccupied periods, with particular emphasis on a 5:00 p.m. shutdown. Much of the custodial work is done on the third shift so custodians are not available to control light use until about 10:30 p.m.

Major economies effected during the past year include removal of over 40,000 fluorescent tubes and shutdown of ventilating systems during unoccupied periods.

In our perimeter heating plants, such as those in the College of Agriculture and College of Veterinary Medicine as well as the West Campus and Don Scott Field, where we have dual fuel gas and oil fired boilers, we have been making sure that the operating personnel are familiar with the transfer from gas to oil and have been keeping storage tanks in these areas topped out in case of a further gas emergency.

In addition to the above, the six buildings which have been approved for energy conservation modifications are having the modifications designed and implemented with the anticipation that the one-time modifications cost will be recovered in utility bills within the first year of the new operation.



February 7, 1975 meeting, Board of Trustees

V. REPORTS (continued)

B. Report to the Faculty, Staff and Students - University Energy Conservation Coordinating Committee (continued)

President Enarson's report (continued)

These formal energy conservation studies are proceeding under the joint direction of Professor Charles Sepsy of Mechanical Engineering and Mr. Dallas Sullivan, who has recently been given full-time responsibility in the energy conservation area. The largest energy savings of course are in our newer, more sophisticated buildings with complex heating, cooling, and ventilating systems.

To insure that there is no interruption of classes on our campus, the cooperation of every member of the campus community is needed. You can help by:

- \* Supporting administrative measures to reduce fuel usage by finding ways to work effectively with reduced schedules of building occupancy.
- \* Maintaining thermostat settings at 68° F. or below.
- \* Turning off hoods and exhaust fans when not in use.
- \* Turning out lights when leaving the classroom, office, or laboratory.

Our experience to date indicates that with everyone's help an energy consumption 25% less than 1973-74 levels can be achieved while maintaining all essential programs.

MAY WE HAVE YOUR HELP?

Walter Hartman  
Michael J. Miller  
Stephen A. Sebo  
Charles F. Sepsy  
Thomas B. Smith  
Dallas Sullivan  
Robert S. Green,  
Chairman

C. Statement on Faculty and Staff Salaries

President Enarson made the following statement:

As you are well aware, inflation has seriously eroded the purchasing power of our faculty and staff in recent years. For most of those who work here at The Ohio State University, the salary increases of last summer have already been washed

V. REPORTS (continued)

C. Statement on Faculty and Staff Salaries (continued)

President Enarson's statement (continued)

away by double-digit inflation. There is, on the part of all who work here--in all ranks of faculty and in all offices--a deep concern about their well-being and their immediate future. It is a concern that I fully share.

Although the actual dollars which the General Assembly appropriates will not be known for some months--possibly not until early summer--I believe it imperative, in fairness to all, that we announce now our intentions, goals, and approach with respect to the level of desired compensation and methods of distributing the dollars finally available for salary purposes.

Last year, with my encouragement, the University Senate set up a Committee on Faculty Compensation and Benefits. That Committee, chaired by Professor David H. Boyne, has met weekly analyzing the changes in levels of real income over the past several years. Dr. Kuhn and I have met with the Committee and have been privileged to share in their inquiry and their deliberations. I have in hand the Committee report, dealing with inflation and faculty salaries. Comparative studies of salary and fringe benefits are inherently difficult and their conclusions open to differing interpretations. However, the main thrust of the report confirms my own earlier independent assessment--that the cumulative loss of real income since 1968 has been about 17 per cent.

Regrettably, I see no real prospect that the Ohio General Assembly will fund such an increase--not at a time when most other wage earners in Ohio have also been afflicted with lost income.

But, I do believe it essential that we set now as a goal an increase of 14 per cent in average compensation for faculty and staff for the 1975-76 year. It can be achieved by a combination of substantially increased support in instructional subsidy along with substantial across-the-board cuts in all University budgets. For next year's budget, this means not filling positions; this means even greater energy conservation efforts; this means allocating--for example--no more than a 4 per cent increase for supplies and equipment, where prices have already increased 16-18 per cent. In short, this means less travel, fewer phone calls, more deferred building maintenance, elimination of some positions, less secretarial service and no money to invest in new or expanded programs.

V. REPORTS (continued)

C. Statement on Faculty and Staff Salaries (continued)

President Enarson's statement (continued)

We should not delude ourselves. There is no hidden cache of dollars to be tapped, no easy way to economize, no way to avoid the hard fact that to put salary relief first is necessarily to put other needs in second place. One key statistic illuminates the price of the tradeoff: for each 5 per cent gain in compensation, cutbacks of 3 per cent in the entire budget are required.

New times require new approaches. Historically, this University--along with major universities everywhere--has resisted across-the-board increases and has prided itself in adhering to the "merit" principle. Very simply, this means that each College receives a lump sum for salary increases and distributes those scarce dollars selectively in an effort to reward performance. In short, we require deans and department chairmen to make discriminating judgments--admittedly a difficult task. However, two-digit inflation has led me reluctantly to the conclusion that some part of the 14 per cent goal must--for the 1975-76 year--be earmarked for a flat across-the-board increase.

In the short run, an across-the-board approach preserves in part existing differentials in salaries and thus, in effect, simply carries forward earlier judgments about comparative performance of individuals.

In the last month, I have consulted with the Council of Deans, the President's Staff, the University Senate Committee on Faculty Compensation and Benefits, as well as with some individual faculty members. It will not surprise anyone who knows universities and the independence of judgment of faculty that all points of view were expressed. While there is no consensus, there is a growing conviction that some substantial part--say one half--of the 14 per cent goal ought to be dedicated to an across-the-board increase. At the same time, there is strong conviction that it would be wrong to abandon the merit principle.

Therefore, I have concluded that earmarking half of the 14 per cent goal for an across-the-board increase is justified if at the same time we reserve the remaining half for merit and for correction of inequities.

February 7, 1975 meeting, Board of Trustees

V. REPORTS (continued)

C. Statement on Faculty and Staff Salaries (continued)

President Enarson's statement (continued)

Salaries are necessarily dependent upon the availability of legislative appropriations. However, we must move ahead in our budgetary planning. I am assuming for planning purposes, that a 7 per cent increase will be incorporated in the 1975-76 budget. Again, our ability to provide the additional 7 per cent will be a function of a) how many dollars are finally appropriated, and b) our willingness to cut deeply into existing budgets.

D. Report on the University's Investment Portfolio

The report dated February 7, 1975, as submitted to the Finance Committee of the Board of Trustees by Mr. Ernest W. Leggett pertaining to the University's Investment Portfolio, was received and ordered to be filed with the official records of the Board of Trustees.

\*

\*

\*

GUEST SPEAKER

Mr. Timothy Collins, a journalism student, was granted permission to read a letter addressed to the Board of Trustees. The letter follows:

C  
O  
P  
Y

1660 Shanley Drive #6  
Columbus, Ohio 43224  
February 7, 1975

Board of Trustees  
The Ohio State University  
Columbus, Ohio 43210

Gentlemen:

There is an old, ever brewing struggle which pits the court of public opinion against formal institutions such as the (sic) Ohio State University Board of Trustees.

We, members of the Society of Professional Journalists/Sigma Delta Chi, Women in Communications Incorporated, and interested journalism students, come before you today to seek clarification on the board's decision (sic) making practices.

It is not our intent to accuse the board of any wrongdoing. Our purpose is to seek clarification and information, so that we may more fully understand the board's work and transmit that information to our readers and listeners.

February 7, 1975 meeting, Board of Trustees

GUEST SPEAKER (continued)

Mr. Timothy Collins (continued)

We would appreciate a response at your earliest convenience.

\*Does the board hold executive sessions? If so, what is the nature of the discussion?

\*How does the board handle its business between public meetings?

\*What are the committees of the board? Are their meetings open? If so, are they announced? If the meetings are closed, could you please give a committee-by-committee rationale for the closed sessions?

We thank you for your cooperation.

(Signed)

Charles Durfey, president  
The Society of Professional  
Journalists/Sigma Delta Chi

(Signed)

Carol Stoff, president  
Women in Communications Inc.

The members of the Board indicated their willingness to respond to the questions posed in the foregoing letter at the next regular meeting of the Board.

\*

\*

\*

Thereupon the Board adjourned to meet Friday, March 7, 1975, at The Ohio State University Newark Campus, Newark, Ohio, at 10:30 a.m.

Attest:

---

Edward Q. Moulton  
Secretary

---

William C. Safford  
Chairman

Page 358 Blank

APPENDIX III

Degrees Conferred at

THE OHIO STATE UNIVERSITY  
COMMENCEMENT CONVOCATION

March 20, 1975

Page 360 Blank



**Dr. Harlan Cleveland**  
**Director, Program in International Affairs**  
**Aspen Institute for Humanistic Studies**

Dr. Harlan Cleveland has distinguished himself as an able public executive, diplomat, educator and author, through the multiple careers he has woven together since his graduation as an honors student from Princeton University in 1938.

Sought as an adviser by Presidents Kennedy and Johnson, Dr. Cleveland was involved in every crisis that threatened the peace and security of our nation and the world from 1961 to 1965. As a member of the United Nations administration, he was instrumental in bringing about peacekeeping arrangements in Africa, Southeast Asia, the Middle East and the Caribbean during that same period. He has served as Assistant Secretary of State for International Organization Affairs, and as United States Ambassador to NATO.

A Rhodes Scholar, Harlan Cleveland holds an esteemed position in academe, having demonstrated his expertise in higher education as Dean of Syracuse University's Maxwell Graduate School of Citizenship and Public Affairs, and more recently, as President of the University of Hawaii. His authorship of many widely published works on public administration and United States foreign policy has earned him deserved acclaim.

The recipient of numerous awards, including Princeton University's Woodrow Wilson Award and the United States Medal of Freedom, Dr. Harlan Cleveland addresses the 251st graduating class of Ohio State as a truly honored guest.

## Graduate School

Dean: Jules LaPidus

### Doctor of Philosophy

Ninety-five candidates

Thomas Alan Ager, Ferndale, Mich.  
B.S. (Wayne State University); M.S. (University of Alaska)  
*Field of Specialization:* Geology and Mineralogy  
*Adviser:* Dr. Richard P. Goldthwait

Michael Alexis Anikeeff, Akron  
A.B. (University of California, Berkeley); M.C.P.  
*Field of Specialization:* Agricultural Economics and Rural Sociology  
*Adviser:* Dr. G. Howard Phillips

Emmanuel Ola Atolagbe, Berrien Springs, Mich.  
B.A., M.A. (Andrews University)  
*Field of Specialization:* Psychology  
*Adviser:* Dr. John E. Horrocks

Janice Ellen Barnes, Dublin  
B.S. in Ed. (Bowling Green State University); M.A.  
*Field of Specialization:* Communication  
*Adviser:* Dr. John W. Black

Sue Ann Blanshan, Green Bay, Wis.  
B.A. (University of Wisconsin); M.A.  
*Field of Specialization:* Sociology  
*Adviser:* Dr. Russell R. Dynes

Meredith Gene Bond, Columbus  
B.S., M.S., M.S.  
*Field of Specialization:* Anatomy  
*Adviser:* Dr. Jephtha R. Hostetler

John Roggie Brown, Charleston, W. Va.  
B.A., M.A. (West Virginia State College); M.A.  
*Field of Specialization:* Psychology  
*Adviser:* Dr. Philip M. Clark

William Cleaver Burson, Jr., East Liverpool  
A.S.E. (University of Cincinnati); M.S.  
*Field of Specialization:* Aeronautical and Astronautical Engineering  
*Adviser:* Dr. Rudolph Edse

Wayne Alan Carbiener, Columbus  
B.Sc. in Mech. Engr., M.S. in Nucl. Engr. (Purdue University)  
*Field of Specialization:* Nuclear Engineering  
*Adviser:* Dr. Robert F. Redmond

Marc A. Caron, Columbus  
B.S.Ed. (State University of New York College at Buffalo)  
*Field of Specialization:* Education  
*Adviser:* Dr. Willis E. Ray

Vinod Kumar Chaudhary, Jammu, India  
B.Sc. (Punjab Agricultural University); M.Sc. (University of Mysore)  
*Field of Specialization:* Horticulture  
*Advisers:* Dr. Wilbur A. Gould and Dr. William T. Yamazaki

Gail Donna Chermak, Brooklyn, N. Y.  
B.A. (State University of New York College at Buffalo); M.A.  
*Field of Specialization:* Communication  
*Adviser:* Dr. John W. Black

Basil Alfred Clark, Old Town, Me.  
A.B. (Bowdoin College); M.A. (University of Maine)  
*Field of Specialization:* English  
*Adviser:* Dr. Walter Schepps

Phillip Code, Warren  
B.A., M.A., M.P.A.  
*Field of Specialization:* Political Science  
*Adviser:* Dr. Chadwick F. Alger

Elizabeth Ann Crosby, Rochester, N. Y.  
B.S. in Educ., M.S. (State University of New York College at Brockport)  
*Field of Specialization:* Education  
*Adviser:* Dr. Lorren L. Stull

Robert Edwin Daley, Columbus  
B.S., M.S.  
*Field of Specialization:* Anatomy  
*Advisers:* Dr. George R. L. Gaughran and Dr. Ali Engin

Robert Hamilton Davis, Columbus  
B.A., M.A.  
*Field of Specialization:* Communication  
*Adviser:* Dr. Wallace C. Fotheringham

Lucien Louis Debruge, Dayton  
B.S. (Penn College); M.S.  
*Field of Specialization:* Mechanical Engineering  
*Adviser:* Dr. Lit S. Han

Patricia Stoup Dickson, Columbus  
B.S.Ed. (State Teachers College, Pennsylvania); M.A. (University of Pittsburgh)  
*Field of Specialization:* Romance Languages and Literatures  
*Adviser:* Dr. Pierre Astier

Paula Catalano Dunnigan, Columbus  
A.B. (Douglass College, Rutgers University); M.S.  
*Field of Specialization:* Chemistry  
*Adviser:* Dr. James I. Watters

Kendall Ray English, Breckenridge, Mich.  
B.S., M.S. (Michigan State University)  
*Field of Specialization:* Agronomy  
*Advisers:* Dr. Paul R. Henderlong and Dr. Robert H. Miller

Tadayoshi Enomoto, Saitama Ken, Japan  
B.S. (Nihon University); M.S.  
*Field of Specialization:* Electrical Engineering  
*Adviser:* Dr. William W. Anderson

Robert Church Evans, Mansfield  
B.A. (Dartmouth College); M.S.  
*Field of Specialization:* Botany  
*Adviser:* Dr. Michael O. Garraway

Mohammad-Taghi Fatehi, Tehran, Iran  
B.E. (American University of Beirut); M.S.  
*Field of Specialization:* Electrical Engineering  
*Adviser:* Dr. Stuart A. Collins, Jr.

Edward Doxsee Fiscus, North Canton  
B.A. (Mount Union College); M.Ed. (University of Pittsburgh)  
*Field of Specialization:* Education  
*Adviser:* Dr. Charles B. Huelsman, Jr.

Henry Robert Frankel, Chatham, N. J.  
A.B. (Oberlin College)  
*Field of Specialization:* Philosophy  
*Adviser:* Dr. Peter K. Machamer

Garth Bowen Freeman, Atlanta, Ga.  
B.S. (Georgia Institute of Technology); M.S.  
*Field of Specialization:* Physics  
*Adviser:* Dr. Richard C. Nelson

John Wei Fu, Taipei, Taiwan  
B.S.E. (Taiwan Cheng Kung University); M.S.  
*Field of Specialization:* Metallurgical Engineering  
*Adviser:* Dr. Franklin H. Beck

Joseph H. Gallenstein, Jr., Cincinnati  
B.S.M.E. (University of Cincinnati); M.S.  
*Field of Specialization:* Mechanical Engineering  
*Adviser:* Dr. Ernest O. Doebelin

Janice Whitehead Gates, Worthington  
A.B.Ed. (University of Michigan); A.M. (Stanford University)  
*Field of Specialization:* History  
*Adviser:* Dr. Harold J. Grimm

Robert Harry Groves, Warnock  
B.S.Agr., M.S.  
*Field of Specialization:* Agricultural Education  
*Adviser:* Dr. Robert W. McCormick

Sigmund John Guziak, Dayton  
B.S.Mus.Ed., M.S.Ed. (University of Dayton)  
*Field of Specialization:* Education  
*Adviser:* Dr. Charles B. Huelsman, Jr.

David Lee Halverson, Mt. Vernon  
B.S. (Olivet Nazarene College); M.M. (University of Oregon)  
*Field of Specialization:* Music  
*Adviser:* Dr. A. Peter Costanza

Kent Guenther Hamdorf, Columbus  
B.A. (University of Iowa); M.S. (University of Tennessee)  
*Field of Specialization:* Education  
*Adviser:* Dr. Herman J. Peters

James Thomas Hardy, Columbus  
A.B. (College of Saint Charles Borromeo); B.A. (College of Saint Mary of the Springs); M.A.  
*Field of Specialization:* Education  
*Adviser:* Dr. W. Frederick Staub

Timothy Craig Hawkins, Dayton  
B.S., M.S.  
*Field of Specialization:* Electrical Engineering  
*Adviser:* Dr. Kenneth J. Breeding

John Henry Hinck, Naperville, Ill.  
B.A. (Cornell College); M.S. (Bradley University)  
*Field of Specialization:* Education  
*Adviser:* Dr. William D. Dowling

David Lee Hines, Barnesville  
B.S.  
*Field of Specialization:* Medical Microbiology  
*Adviser:* Dr. Raymond W. Lang

Richard Alan Hobbie, Eastlake  
B.A., M.A.  
*Field of Specialization:* Public Administration  
*Adviser:* Dr. Frederick D. Stocker

Herbert G. Hoehl, Dayton  
B.S. (University of Maryland); M.B.A. (George Washington University)  
*Field of Specialization:* Education  
*Adviser:* Dr. Robert W. McCormick

Orin Hollander, Miami, Fla.  
B.A. (Northwestern University)  
*Field of Specialization:* Chemistry  
*Adviser:* Dr. Sheldon G. Shore

Ming-tung Hsu, Taichung, Taiwan  
B.S.Eng. (National Taiwan University); M.S.  
*Field of Specialization:* Electrical Engineering  
*Adviser:* Dr. Hsien C. Ko

Chin-Teh Huang, Penn Hills, Pa.  
B.S. (Tunghai University, Taiwan); M.S. (Kent State University)  
*Field of Specialization:* Chemistry  
*Adviser:* Dr. Paul G. Gassman

Merle Hairston Ivers, Pedro  
B.A., M.A. (Marshall University)  
*Field of Specialization:* Education  
*Adviser:* Dr. I. Keith Tyler

Donald Richard James, Norristown, Pa.  
B.S. (Ursinus College)  
*Field of Specialization:* Chemistry  
*Adviser:* Dr. Leo A. Paquette

Ihor Stephen Jaworiwsky, Detroit, Mich.  
B.S. (Wayne State University)  
*Field of Specialization:* Chemistry  
*Adviser:* Dr. Sheldon G. Shore

James Mark Johnson, Kalamazoo, Mich.  
B.B.A., M.B.A. (Western Michigan University)  
*Field of Specialization:* Business Administration  
*Adviser:* Dr. Leo D. Stone

Robert Alois Knezek, Arlington, Tex.  
B.S.M.E. (Texas Technological University); M.S. (Oklahoma State University of Agriculture and Applied Science)  
*Field of Specialization:* Mechanical Engineering  
*Advisers:* Dr. Lynn L. Faulkner, Dr. Michael J. Moran and Dr. Seppo A. Korpela

James Joseph Komar, Cleveland  
B.A.A.E.; M.S. (University of Southern California)  
*Field of Specialization:* Aeronautical and Astronautical Engineering  
*Adviser:* Dr. Stuart Petrie

David Dale Lee, West Chester  
B.A. (Miami University); M.A.  
*Field of Specialization:* History  
*Adviser:* Dr. Merton L. Dillon

Edward Louis Lense, Columbus  
B.A. (New York University); M.A.  
*Field of Specialization:* English  
*Adviser:* Dr. Gordon K. Grigsby

- Dellita Martin Lowery, New Orleans, La.  
B.A. (Louisiana State University); M.A.  
*Field of Specialization*: Romance Languages and Literatures  
*Adviser*: Dr. Martha Morello-Frosch
- Philip Edward Lyon, Columbus  
A.B. (Stonehill College); M.Ed. (Boston College)  
*Field of Specialization*: Education  
*Adviser*: Dr. Thomas M. Stephens
- Edward James Machuga, Greensburg, Pa.  
B.S. (Saint Vincent College)  
*Field of Specialization*: Chemistry  
*Adviser*: Dr. Michael H. Klapper
- Cyril M. Manthorpe, Jr., Columbus  
B.S. (West Virginia State College)  
*Field of Specialization*: Biochemistry  
*Adviser*: Dr. George S. Serif
- Walter Lee Marks, Willowick  
A.B. (Glenville State College); M.E. (Kent State University)  
*Field of Specialization*: Education  
*Adviser*: Dr. Roy A. Larmee
- William Bartlett Martin, Columbus  
B.A., M.A. (California State College, Long Beach)  
*Field of Specialization*: Education  
*Adviser*: Dr. William Moore, Jr.
- Dalton Hays McAfee, Elba, Ala.  
B.S. (Alcorn Agricultural and Mechanical College); M.Sci.Agr. (Tuskegee Institute)  
*Field of Specialization*: Education  
*Adviser*: Dr. William D. Dowling
- Edwin John McCauley, III, Fairborn  
B.S.E., M.S.E. (University of Michigan)  
*Field of Specialization*: Computer and Information Science  
*Adviser*: Dr. David K. Hsiao
- LeVerne McCummings, Lexington, Ky.  
B.A. (Saint Augustine's College); M.S.W. (University of Pennsylvania)  
*Field of Specialization*: Social Work  
*Adviser*: Dr. Merris Cornell
- Thomas Vincent Merluzzi, New Britain, Conn.  
B.A. (Central Connecticut State College); M.A.  
*Field of Specialization*: Psychology  
*Advisers*: Dr. Lyle D. Schmidt and Dr. Theodore J. Kaul
- Dwight Edward Merrill, Berkeley, Calif.  
A.B. (University of California at Berkeley)  
*Field of Specialization*: Chemistry  
*Adviser*: Dr. Harold Shechter
- Robert John Miller, Cleveland  
B.S. (Duke University)  
*Field of Specialization*: Chemistry  
*Adviser*: Dr. Harold Shechter
- Daniel William Minock, Detroit, Mich.  
A.B., M.A. (University of Detroit)  
*Field of Specialization*: English  
*Adviser*: Dr. Gordon K. Grigsby
- Alex Lee Moore, Columbus  
B.A. (Norfolk State College); M.A.  
*Field of Specialization*: Education  
*Adviser*: Dr. Joseph J. Quaranta
- Peter Matthew Mrozinski, Chicago, Ill.  
B.A. (Saint Mary's College, Minnesota); M.S.  
*Field of Specialization*: Physics  
*Adviser*: Dr. David O. Edwards
- William Lloyd Nealy, Quincy, Fla.  
B.S., M.Ed. (Florida Agricultural and Mechanical University)  
*Field of Specialization*: Education  
*Adviser*: Dr. James B. Gunnell
- Henry Arthur Norman, Porter  
B.S.Edu. (Wilberforce University); M.A.  
*Field of Specialization*: Education  
*Adviser*: Dr. James D. Beaber
- Zeinab Abouissa Osman, Abbassia, Egypt  
B.Sc., M.Sc. (Ains Shams University)  
*Field of Specialization*: Chemistry  
*Adviser*: Dr. Thomas R. Sweet
- William David Penniman, Columbus  
B.S., M.S. (University of Illinois)  
*Field of Specialization*: Communication  
*Adviser*: Dr. Joseph M. Foley
- Frederick Eugene Petry, Columbus  
B.S. (Loyola University); M.S. (Louisiana State University)  
*Field of Specialization*: Computer and Information Science  
*Advisers*: Dr. B. Chandrasekaran and Dr. Alan Biermann
- Kim Hilton Ponto, Plymouth, Mich.  
B.S. (University of Michigan)  
*Field of Specialization*: Animal Science  
*Adviser*: Dr. Burk A. Dehority
- Sally Jo Rogers, Ashland  
A.B. (Ashland College); M.A.  
*Field of Specialization*: Psychology  
*Adviser*: Dr. Barbara Edmonson
- Patricia Terpack Rose, Struthers  
B.A. (Miami University); M.A.  
*Field of Specialization*: History  
*Adviser*: Dr. Robert H. Bremner
- Michael Ralph Ross, Springboro  
B.S. (Miami University); M.S.  
*Field of Specialization*: Zoology  
*Adviser*: Dr. Ted M. Cavender
- Ronald Keith Russell, Fowlerville, Mich.  
B.S. (Central Michigan University)  
*Field of Specialization*: Chemistry  
*Adviser*: Dr. Leo A. Paquette
- Frances Robertson Ryan, Hamilton  
B.S.Ed., M.Ed. (Miami University)  
*Field of Specialization*: Education  
*Adviser*: Dr. Martha L. King
- Abbas Sadrai-Nadjafi, Tehran, Iran  
Licentiate (National University of Iran); M.P.A.  
*Field of Specialization*: Education  
*Adviser*: Dr. William W. Wayson

Michael J. Saks, Philadelphia, Pa.  
B.A., B.S. (Pennsylvania State University); M.A.  
*Field of Specialization*: Psychology  
*Adviser*: Dr. Thomas M. Ostrom

Richard Alvin Sams, Columbus  
B.S.Pharm.  
*Field of Specialization*: Pharmacy  
*Adviser*: Dr. Louis Malspeis

Santosh S. Sethi, Ludhiana, India  
Diploma in Home Sc. (Kasturba Rural Institute);  
M.Sc. (University of Baroda)  
*Field of Specialization*: Home Economics  
*Adviser*: Dr. Jean D. Dickerscheid

Thomas Howard Shafer, Columbus  
B.S. (Duke University); M.S.  
*Field of Specialization*: Botany  
*Advisers*: Dr. Valayamghat Raghavan and  
Dr. Howard B. Kriebel

Bruce Ray Siecker, Highland, Ind.  
B.S.Pharm., M.S. (Purdue University)  
*Field of Specialization*: Pharmacy  
*Adviser*: Dr. T. Donald Rucker

Sam Spencer Smith, Waverly  
B.S.Ed., M.A.  
*Field of Specialization*: Education  
*Adviser*: Dr. Robert E. Jewett

Granville Leroy Smyser, Prescott, Ia.  
B.S. (Iowa State University); M.S.  
*Field of Specialization*: Chemistry  
*Adviser*: Dr. John S. Swenton

Nicholaos Tsoupas, Athens, Greece  
Diploma (National University of Athens); M.S. (Ohio  
University)  
*Field of Specialization*: Physics  
*Adviser*: Dr. Hershel J. Hausman

Jane Karoline Vieth, Youngstown  
B.S.Ed., M.A.  
*Field of Specialization*: History  
*Adviser*: Dr. Philip P. Poirier

Anthony Joseph Vignola, Jr., Franklin Square, N. Y.  
B.A. (LeMoyne College); M.A.  
*Field of Specialization*: Economics  
*Adviser*: Dr. Frederick D. Stocker

Jack Charles Volkers, Terre Haute, Ind.  
B.S. (Indiana State University)  
*Field of Specialization*: Physics  
*Adviser*: Dr. Timothy R. Donoghue

Bob Leroy Weber, Columbus  
B.S.  
*Field of Specialization*: Physics  
*Adviser*: Dr. L. Carlton Brown

Ian Morley Whillans, London, England  
B.Sc. (University of Bristol)  
*Field of Specialization*: Geology and Mineralogy  
*Adviser*: Dr. Colin Bull

Lee-Jun Chang Wong, Taipei, Taiwan  
B.S. (National Taiwan University)  
*Field of Specialization*: Chemistry  
*Adviser*: Dr. Perry A. Frey

Jerry Steven York, Columbus  
B.S. (Middle Tennessee State University); M.A.  
*Field of Specialization*: Psychology  
*Adviser*: Dr. Henry Leland

Christine B. Young, Columbus  
B.A. (Miami University); M.A.  
*Field of Specialization*: Psychology  
*Adviser*: Dr. Herbert E. Rie

Robert Thomas Young, Columbus  
B.A. (Hanover College); M.A.  
*Field of Specialization*: Psychology  
*Adviser*: Dr. Malcolm M. Helper

**Certificate of Specialist  
in Educational Administration**

One candidate

John Lewis Miller, Westerville  
B.S.Agr., M.S., B.S.Ed.

**Certificate of Specialist in Translation  
from the Russian Social Sciences**

One candidate

Victoria Bovt Guralsky, Columbus  
Cert. (State Institute of Express  
Endocrinology, Russia); Cert.  
(Moscow Department of Public  
Education, Russia); Diploma  
(Institute of Foreign Languages,  
Russia)

**Master of Accounting**

Three candidates

Donna Ann Gillen, Chesapeake  
B.A. (Marshall University)  
*Field of Specialization*: Accounting

William Math, Sabah, Malaysia  
Assoc.Dipl.Acc. (Queensland Institute  
of Technology, Australia); M.B.A.  
*Field of Specialization*: Accounting

Denis Francois Mathieu,  
Paris, France  
Diplome (Ecole Superieure de  
Commerce)  
*Field of Specialization*: Accounting

**Master of Architecture**

Two candidates

Thomas Raymond Hauck, Toledo  
B.S.Arch.  
*Field of Specialization*: Architecture

Tang Gim Lee,  
Toronto, Ont., Canada  
Dipl.Arch.Tech. (Ryerson  
Polytechnical Institute); B.Arch.  
(Case Western Reserve University)  
*Field of Specialization*: Architecture

**Master of Arts**

One hundred and sixty-eight candidates

James Edward Adams, Columbus  
B.A., B.S.Ed.  
*Field of Specialization*: Education

Phillip Bruce Alkire,  
Washington C. H.  
B.S.Ed.  
*Field of Specialization*: Education

Brian Frederick Alles,  
Flemington, N. J.  
B.A. (Western Maryland College)  
*Field of Specialization*: Education

Mary Catherine Hill Ashmore,  
Columbus  
B.S. in Bus. (Miami University)  
*Field of Specialization*: Education

Robert Nelson Bacon, Columbus  
B.S.B.A. (Franklin University)  
*Field of Specialization*: Public  
Administration

Lawrence E. Battles, Columbus  
B.S.Ed. (Kent State University)  
*Field of Specialization*: Education

Elizabeth W. Bauer, Columbus  
A.B. (Mount Holyoke College)  
*Field of Specialization*: Education

Wanda Elaine Bayless, Columbus  
B.S.Ed.  
*Field of Specialization*: Education

William Edwin Beckwith, Ashtabula  
B.A. (Bowling Green State  
University)  
*Field of Specialization*: Psychology

Evelyn J. Bice, Columbus  
B.S.Ed.  
*Field of Specialization*: Education

Betsy Alice Blake, Akron  
A.B. (Earlham College)  
*Field of Specialization*: Philosophy

Robert Albert Boca,  
Grosse Pointe, Mich.  
B.A. (Marquette University)  
*Field of Specialization*: History

Christina Margit Amanda Borchers,  
Columbus  
B.A.  
*Field of Specialization*: Journalism

Danny R. Bosley, Gnadenuhthen  
B.A. (Muskingum College)  
*Field of Specialization*: Psychology

William Carl Brandal, Willard  
B.S.Ed.  
*Field of Specialization*: Education

Mary Elizabeth Braun,  
South St. Paul, Minn.  
B.S. (Saint Cloud State College)  
*Field of Specialization*:  
Anthropology

John Kenneth Brownley, Jr.,  
Reynoldsburg  
B.A. (Western Maryland University)  
*Field of Specialization*: Education

Susan Locher Buchanan, Oreland, Pa.  
B.S. (Muhlenberg College)  
*Field of Specialization*: History  
of Art

Glen L. Bull, Taft, Tex.  
A.B. (Western Kentucky University)  
*Field of Specialization*:  
Communication

David Lawrence Burke, Columbus  
B.A.  
*Field of Specialization*:  
Communication

Philipp David Bush, Columbus  
B.S. (Rio Grande College)  
*Field of Specialization*: Education

Terry Franklin Buss, Columbus  
B.A.  
*Field of Specialization*: Political  
Science

John Terrence Cacioppo,  
Kirkwood, Mo.  
B.S. (University of Missouri)  
*Field of Specialization*: Psychology

John David Carrigan, Tiffin  
B.S.Bus.Adm. (University of Dayton)  
*Field of Specialization*: Business  
Administration

Helen Myers Caslick, Ithaca, N. Y.  
B.Mus. (Ithaca College)  
*Field of Specialization*: Music

James Dave Cauley, Columbus  
B.S.Ed.  
*Field of Specialization*: Education

Laurel Ellen Thomas Chandler,  
Columbus  
B.A. (Otterbein College)  
*Field of Specialization*: English

- Shih-Meng S. Chen, Taipei, Taiwan  
B.A. (National Taiwan University)  
*Field of Specialization*: Economics
- Jei-Cheng Cheng, Taiwan  
B.A. (National Cheng Chi University)  
*Field of Specialization*: Journalism
- David James Chrisman, Columbus  
B.S.Bus.Adm.  
*Field of Specialization*: Public Administration
- Annlouise Cirelli, Buffalo, N. Y.  
B.S.Ed. (State University of New York College at Buffalo)  
*Field of Specialization*: Romance Languages and Literatures
- Margaret Ann Crawford, Lima  
B.S.Ed.  
*Field of Specialization*: Education
- Patricia Ann Cruttenden, Bucyrus  
B.S.Ed.  
*Field of Specialization*: Education
- Rhunette Denise Curry, Bainbridge, Ga.  
A.B. (Talladega College)  
*Field of Specialization*: Communication
- William Bertram Dann, Cambridge, Mass.  
B.A. (University of Massachusetts)  
*Field of Specialization*: East Asian Languages and Literatures
- Alberta Davison, Tunnel Springs, Ala.  
B.A. (Alabama Agricultural and Mechanical College)  
*Field of Specialization*: History
- Thomas William Dent, Columbus  
B.S.Ed.  
*Field of Specialization*: Education
- Marilyn W. Deutsch, Columbus  
A.B. (Temple University)  
*Field of Specialization*: Psychology
- Barbara Ann Diamond, Columbus  
B.S.Ed. (Ohio University)  
*Field of Specialization*: Education
- Myles Diamond, Merion Station, Pa.  
B.S. (Pennsylvania State University)  
*Field of Specialization*: Business Administration
- Marcia Leigh Dolezal, Dillonvale  
B.A. (Miami University)  
*Field of Specialization*: English
- Earl Edward Donaldson, Jr., Columbus  
B.S.Ed.  
*Field of Specialization*: Education
- John Joseph Dusseau, Columbus  
B.S.Ed.  
*Field of Specialization*: Physical Education
- Earl Michael Eastman, Columbus  
B.A. (Anderson College)  
*Field of Specialization*: Education
- Herman Henry Echols, Jr., Massillon  
B.A., M.A.  
*Field of Specialization*: Black Studies
- Roy S. Edelstein, Flushing, N. Y.  
A.B. (Cornell University)  
*Field of Specialization*: Philosophy
- Robert John Edgar, Frewville, Australia  
B.S. (University of Adelaide)  
*Field of Specialization*: Economics
- Sandra Jill Emig, Valley Stream, N. Y.  
B.Mus.  
*Field of Specialization*: Music
- Sonya Stauffer Evans, Westerville  
B.S. (Otterbein College)  
*Field of Specialization*: Education
- Dieter W. Eysser, Columbus  
A.B. (Humboldt State College)  
*Field of Specialization*: History
- Edward David Farber, Jersey City, N. J.  
A.B. (Rutgers University)  
*Field of Specialization*: Psychology
- Barbara M. Finkelman, Columbus  
B.S. (Northwestern University)  
*Field of Specialization*: Education
- Donald L. Fisher, Columbus  
B.S.Ed.  
*Field of Specialization*: Education
- Richard P. Frankhouser, Lima  
B.S.Ed.  
*Field of Specialization*: Education
- Lawrence William Franz, La Mirada, Calif.  
B.A. (California State University at Fullerton)  
*Field of Specialization*: Philosophy
- Emmie D. Gambaro, Bronx, N. Y.  
B.A. (Hunter College)  
*Field of Specialization*: Education
- Larry Ronald Garrison, Columbus  
B.S.Ed.  
*Field of Specialization*: Education
- Lillian McGarry Garrity, Columbus  
B.A. (LeMoyne College)  
*Field of Specialization*: Education
- Sylvia Judith Godfrey, Columbus  
B.S.  
*Field of Specialization*: Journalism
- Jeffrey B. Gold, Beachwood  
B.A. (University of Wisconsin)  
*Field of Specialization*: Philosophy
- Milagros Susana Neuman Gonzalez, Columbus  
B.S.Ed. (Universidad del Zulia, Venezuela)  
*Field of Specialization*: Education
- David C. Goss, Columbus  
B.S.Ed.  
*Field of Specialization*: Education
- Rebecca Jane Haley, Groveport  
B.S. (Bowling Green State University)  
*Field of Specialization*: Education
- Marvin Elliot Handler, Evanston, Ill.  
B.A.Jour.  
*Field of Specialization*: Journalism
- Steven Martin Handy, Columbus  
R.S. in Ed. (Miami University)  
*Field of Specialization*: Physical Education
- Charlene Harkins, Columbus  
B.A., B.S.Ed.  
*Field of Specialization*: Education
- Reiko Hasuike, Tokyo, Japan  
B.A. (International Christian College)  
*Field of Specialization*: Linguistics
- Carolyn Harrison Heine, Ashley  
B.S.Ed.  
*Field of Specialization*: Education
- Lorraine Heller, Flushing, N. Y.  
B.A. (City College)  
*Field of Specialization*: Philosophy
- Ching-I Ho, Kachslung, Taiwan  
B.A. (National Taiwan University)  
*Field of Specialization*: Economics
- John Joseph Hollern, Columbus  
B.A. (Saint Leo College)  
*Field of Specialization*: Education
- Djanni Marie Hollett, Columbus  
B.S.Ed.  
*Field of Specialization*: Education
- Jesse Eugene Huff, Columbus  
B.A. (Knoxville College)  
*Field of Specialization*: Communication
- Jeanne M. Hufschmitt, Hamilton  
B.A. (DePauw University)  
*Field of Specialization*: Education

- Mary Ann Ireton, Columbus  
B.S.Ed. (University of Dayton)  
*Field of Specialization:* Education
- Joy Janke, Maple Heights  
B.S.Ed. (Ohio University)  
*Field of Specialization:* Education
- Linda Gail Jennings, Columbus  
B.A. (College of Wooster)  
*Field of Specialization:* Education
- Kristy Leigh Kable, Columbus  
B.S.Ed.  
*Field of Specialization:* Education
- Richard Scott Kagan, Glencoe, Ill.  
B.A. (George Washington University)  
*Field of Specialization:* Communication
- Karen Lee Kaler, St. Paris  
B.S.Ed.  
*Field of Specialization:* Education
- Elaine Schottenstein Karr, Columbus  
B.S.Ed.  
*Field of Specialization:* Health Education (Physical Education)
- David M. Kemme, Fairfield  
B.A. (Miami University)  
*Field of Specialization:* Economics
- Guy O'Gorman King, Devil's Lake, N. D.  
B.A., M.A. (University of North Dakota)  
*Field of Specialization:* Philosophy
- Carl John Kotheimer, Boardman  
B.A.  
*Field of Specialization:* Public Administration
- Larry William Kraus, Columbus  
B.S.Ed.  
*Field of Specialization:* Education
- Robert Thomas Kropke, Jersey City, N. J.  
B.A. (Yale University)  
*Field of Specialization:* Political Science
- John B. Lawyer, Zanesville  
B.S.Ed. (Ohio University)  
*Field of Specialization:* History
- Rosemary Dell Michel LeVan, Milford Center  
B.S.Ed.  
*Field of Specialization:* Education
- Theron Dean Lorimor, Hermitage, Mo.  
B.A. (Central Missouri State College)  
*Field of Specialization:* Political Science
- Francis Michael Lorz, Columbus  
B.A., B.S.Ed.  
*Field of Specialization:* Journalism
- Linette F. Lowe, Ashtabula  
B.A.  
*Field of Specialization:* Health Education (Physical Education)
- Patricia Veronica Markunas, Garfield Heights  
B.S.  
*Field of Specialization:* Psychology
- John William Matchett, Columbus  
B.A. (Capital University)  
*Field of Specialization:* Education
- Brian Lawrence Maze, Columbus  
B.S.  
*Field of Specialization:* Anthropology
- Douglas Mark McCall, Mt. Vernon  
A.B. (Bethany Nazarene College)  
*Field of Specialization:* Philosophy
- James Paul McGregor, DeKalb, Ill.  
B.A. (Northern Illinois University)  
*Field of Specialization:* Political Science
- Patrick Joe McWherter, Tacoma, Wash.  
B.S. (University of Tampa)  
*Field of Specialization:* Physical Education
- Pamela Jane Meilton, Burgettstown, Pa.  
B.A. (Bethany College)  
*Field of Specialization:* Education
- Kay Pattison Meister, Columbus  
B.S.Ed.  
*Field of Specialization:* Education
- Diane Morong Mellon, Columbus  
B.S. (State College at Salem)  
*Field of Specialization:* Education
- Frank Blunston Melton, Clarksdale, Mich.  
B.A. (Jackson State College)  
*Field of Specialization:* Political Science
- Leontyne Middleton, Jackson, Miss.  
B.S. (Florida State University)  
*Field of Specialization:* Education
- Carolyn Beth Mitchell, Columbus, Miss.  
B.A. (University of Mississippi)  
*Field of Specialization:* Psychology
- Gordon Debs Moebius, Columbus  
B.Mus.Ed. (Otterbein College)  
*Field of Specialization:* Music
- Mark J. Moody, Rockville, Conn.  
B.A. (University of Connecticut)  
*Field of Specialization:* Psychology
- Bruce Edward Moon, Columbus  
B.A.  
*Field of Specialization:* Political Science
- Richard Henry Moore, Warren  
B.A. (DePauw University)  
*Field of Specialization:* Anthropology
- Judith Ann Nappy, Columbus  
B.S.Ed. (Youngstown State University)  
*Field of Specialization:* Education
- Barbara Jean Nelson, Columbus  
B.A.  
*Field of Specialization:* Political Science
- Charles Joseph Nemmers, Columbus  
B.C.E. (Marquette University)  
*Field of Specialization:* Public Administration
- William Steven Oiler, Columbus  
B.A.  
*Field of Specialization:* Political Science
- Anne Marie O'Keefe, Gary, Ind.  
A.B. (Indiana University)  
*Field of Specialization:* Psychology
- Barbara Orlos, Columbus  
B.S. in Ed. (Ohio Dominican College)  
*Field of Specialization:* Education
- David Edward Ozvat, Grove City  
B.S.Ed.  
*Field of Specialization:* Education
- Joan Carol Palcic, Gowanda, N. Y.  
A.B. (State University of New York College at Fredonia)  
*Field of Specialization:* Romance Languages and Literatures
- Dennis D. Pappas, Columbus  
B.S.Ed.  
*Field of Specialization:* Education
- Gail Sears Petrich, Columbus  
B.A. (Cedarville College)  
*Field of Specialization:* Communication
- Daniel Lee Phalen, Columbus  
B.A. (Ohio Dominican College)  
*Field of Specialization:* Education
- George Thomas Trevino Phillips, Victoria, Tex.  
B.A. (Texas Arts and Industries University)  
*Field of Specialization:* Psychology
- Gregory Eugene Phillips, Columbus  
B.A. (Denison University)  
*Field of Specialization:* History



Julie Stark Polak, Crestline  
B.S.Ed.  
*Field of Specialization: Education*

Karen Tinker Poulton, Columbus  
B.S.Ed.  
*Field of Specialization: Communication*

Thomas Martin Prohaska,  
North Tonawanda, N. Y.  
B.S.Ed. (Capital University)  
*Field of Specialization: Art Education*

Daniel Byron Pumphrey, Columbus  
B.S.Ed.  
*Field of Specialization: Business Administration*

Deryck D'Arcy Richardson,  
Nassau, Bahamas  
B.A. (Saint Johns University,  
Minnesota)  
*Field of Specialization: Psychology*

Sandra J. Rogers, Columbus  
B.S.Ed.  
*Field of Specialization: Education*

Karen Brown Rubin, Knoxville, Tenn.  
B.A. (Florida State University)  
*Field of Specialization: Psychology*

Sharon Elaine Russell,  
Fayette City, Pa.  
B.S.Ed. (Indiana University of  
Pennsylvania)  
*Field of Specialization: Romance Languages and Literatures*

Gregory K. Sampson, Westerville  
B.S.Ed. (Ohio University)  
*Field of Specialization: Education*

Phyllis Opal Sark, Columbus  
A.B. (Trevecca Nazarene College)  
*Field of Specialization: Education*

Sandra Mackey Schackne, Columbus  
B.S. in Soc. Adm.  
*Field of Specialization: Education*

Richard Alan Schalinske, Columbus  
B.A. (Capital University)  
*Field of Specialization: Education*

Elizabeth Jane Schmidt, Delaware  
B.S.Ed. (Concordia Teachers College,  
Nebraska)  
*Field of Specialization: Education*

Ned William Schultz, Lancaster, Pa.  
B.S. (Pennsylvania State University)  
*Field of Specialization: Psychology*

Michael L. Scott, Columbus  
B.S.Ed.  
*Field of Specialization: Education*

Hana Anna Sharon, Haifa, Israel  
Diploma (Gordon Teachers  
Seminary); B.Soc.Sci. (University of  
Haifa)  
*Field of Specialization: Education*

William Hardy Sheppard,  
Middleburg Heights  
A.B. (Rutgers University)  
*Field of Specialization: Public Administration*

Cleavonne Singleton, Fairfield, Ala.  
B.A. (Miles College)  
*Field of Specialization: Communication*

Kathryn S. Smeller, Creston  
B.A. (Ohio Northern University)  
*Field of Specialization: English*

Patricia Gallagher Smith, Columbus  
B.A. (Chestnut Hill College); M.Ed.  
(Lehigh University)  
*Field of Specialization: Education*

Ronald Lee Smith, Mansfield  
B.A. (Kenyon College)  
*Field of Specialization: German*

Harlan Joel Smolin, Columbus  
B.A.  
*Field of Specialization: Geography*

Marcella Jo Sorg, Columbus  
B.A. (Bowling Green State  
University)  
*Field of Specialization: Anthropology*

John Phillips Speary, Jr.,  
Wichita, Kan.  
B.A. in Educ. (Wichita State  
University)  
*Field of Specialization: Theatre*

Harvey William Spector,  
Brooklyn, N. Y.  
A.B. (Ohio University)  
*Field of Specialization: Public Administration*

Stephen Randall Spurgeon, Columbus  
B.A. (Otterbein College)  
*Field of Specialization: Education*

Antoinette Cecce Stephens, Columbus  
B.S.Ed.  
*Field of Specialization: Education*

Kerry Michael Stroup, Wooster  
B.A. (College of Wooster)  
*Field of Specialization: Anthropology*

Bruce Alan Tabashneck, Columbus  
A.B. (Ohio University)  
*Field of Specialization: Public Administration*

Everett Thomas, Columbus  
B.S.Ed. (Central State University)  
*Field of Specialization: Education*

Ellen Mosley Thompson, Columbus  
B.S. (Marshall University)  
*Field of Specialization: Geography*

Diane Helen Touliatos-Banker,  
Memphis, Tenn.  
B.Mus. (Memphis State University)  
*Field of Specialization: Music*

Patricia Willis Townsel, Columbus  
B.S.Ed.  
*Field of Specialization: Education*

Dan William Turner, Ames, Ia.  
B.S. (Iowa State University)  
*Field of Specialization: Philosophy*

Bruce Andrew Uhrich,  
Churchville, Pa.  
B.S.Edu. (West Chester State  
College)  
*Field of Specialization: Health Education (Physical Education)*

James Nathaniel Upton,  
Sweetwater, Tenn.  
B.A.  
*Field of Specialization: Political Science*

Carl Edward Van Horn,  
Pittsburgh, Pa.  
B.A. (University of Pittsburgh)  
*Field of Specialization: Political Science*

Mary Ann Von Glinow, Columbus  
B.A. (Bradley University)  
*Field of Specialization: Public Administration*

Barbara Knight Wall, Columbus  
B.A. (Oklahoma Baptist University)  
*Field of Specialization: Education*

John Douglas Wanzer, Albany, N. Y.  
B.A., M.A. (State University of  
New York at Albany)  
*Field of Specialization: English*

Eric Walter Watkins,  
San Diego, Calif.  
A.B. (San Diego State College)  
*Field of Specialization: Philosophy*

Deborah Randall Weaver, Columbus  
B.A. (College of Wooster)  
*Field of Specialization: Education*

Ora Lee White, Columbus  
B.S.Ed.  
*Field of Specialization: Education*

Thomas Ashbrook Williams, Columbus  
B.A.  
*Field of Specialization: Education*

Dorothy E. Wolf, New York, N. Y.  
B.A. (Hunter College)  
*Field of Specialization: Physical Education*

Marsha Beth Wood, Columbus  
B.S.Ed. (Ashland College)  
*Field of Specialization:* Physical  
Education

Brenda Ann Zima, Chardon  
B.S.Ed.  
*Field of Specialization:* Education

Diana Mae Zuckerman,  
Bound Brook, N. J.  
A.B. (Smith College)  
*Field of Specialization:* Psychology

#### Master of Business Administration

##### Forty-one candidates

Arun Laxman Athavale, Poona, India  
B.E. (University of Poona)  
*Field of Specialization:* Business  
Administration

Martin Keeler Bainbridge, Dayton  
B.S. (Oklahoma State University);  
M.S. (Air Force Institute of  
Technology)  
*Field of Specialization:* Business  
Administration

Robert Richard Beebe, Columbus  
B.S.Bus.Adm.  
*Field of Specialization:* Business  
Administration

Gordon B. Bonfield, III,  
Northbrook, Ill.  
B.B.A. (University of Iowa)  
*Field of Specialization:* Business  
Administration

Leroy Neal Carpenter, Columbus  
B.S.Bus.Adm.  
*Field of Specialization:* Business  
Administration

Joseph Chungchak Chan, Worthington  
B.A. (National Sun Yat-Sen  
University)  
*Field of Specialization:* Business  
Administration

John Chrissoveloni, Athens, Greece  
Bachelor (Queens University,  
Ireland)  
*Field of Specialization:* Business  
Administration

Kim Robert Crossman, Cleveland  
B.S. (Carnegie-Mellon University)  
*Field of Specialization:* Business  
Administration

William Joseph Davidek, Columbus  
B.A. (Inter-American University of  
Puerto Rico)  
*Field of Specialization:* Business  
Administration

John Francis Federspiel, Columbus  
B.S. (Iowa State University)  
*Field of Specialization:* Business  
Administration

William Alan Folmar, Columbus  
B.S.Bus.Adm. (University of Florida)  
*Field of Specialization:* Business  
Administration

Michael J. Gade, Columbus  
B.S.Bus.Adm.  
*Field of Specialization:* Business  
Administration

Ernest Edward Gardner, Navarre  
B.A. (Ohio Wesleyan University)  
*Field of Specialization:* Business  
Administration

Joseph A. Genuardi, Jr.,  
Norrstown, Pa.  
B.A. (Michigan State University)  
*Field of Specialization:* Business  
Administration

Moses Karakouzian, Blacksburg, Va.  
B.E. (American University of  
Beirut); M.S.  
*Field of Specialization:* Business  
Administration

Anna P. Karayannakos, Columbus  
B.A.  
*Field of Specialization:* Business  
Administration

David Samuel Kelly, Wenarhee, Wash.  
B.S. (Arizona State University)  
*Field of Specialization:* Business  
Administration

Vasant Khilnani, New Delhi, India  
B.Tech. (Indian Institute of  
Technology); M.S. (Georgia Institute of  
Technology)  
*Field of Specialization:* Business  
Administration

Jeanne Antoinette Klopp,  
University Heights  
B.S.Bus.Adm.  
*Field of Specialization:* Business  
Administration

James Nicholas Kreider, Columbus  
B.A.  
*Field of Specialization:* Business  
Administration

Robert Clark Langdon, Columbus  
B.S.; M.A. (University of  
Minnesota); M.Div. (Asbury  
Theological Seminary)  
*Field of Specialization:* Business  
Administration

Richard Easton Lyle, Columbus  
B.S.Bus.Adm.  
*Field of Specialization:* Business  
Administration

Bradford C. Metzler, Aberdeen  
B.A. (College of Wooster); M.A.  
*Field of Specialization:* Business  
Administration

Herodotus Michaelides,  
Khoulou Paphos, Cyprus  
B.Commerce (Cairo High  
Polytechnical Institute)  
*Field of Specialization:* Business  
Administration

Jeffrey Alan Mowers, Columbus  
B.S.Bus.Adm.  
*Field of Specialization:* Business  
Administration

Kurt Lawrence Mueller, Columbus  
B.S.Bus.Adm.  
*Field of Specialization:* Business  
Administration

Nancy Lane Nafz, Columbus  
B.S.Bus.Adm.  
*Field of Specialization:* Business  
Administration

John H. Niehaus, Cincinnati  
B.B.A. (University of Notre Dame)  
*Field of Specialization:* Business  
Administration

Thomas Joseph Noon, Columbus  
B.S.Bus.Adm.  
*Field of Specialization:* Business  
Administration

John J. O'Connell, Columbus  
B.A. (Western Washington State  
College); M.S. (University of  
Oregon)  
*Field of Specialization:* Business  
Administration

Linda Marie Porter,  
Washington, D. C.  
B.A. (Howard University)  
*Field of Specialization:* Business  
Administration

Terry Jay Pranses, Elida  
B.S. (University of Pennsylvania)  
*Field of Specialization:* Business  
Administration

Kurt Joseph Schmalz, Columbus  
B.S. (Miami University)  
*Field of Specialization:* Business  
Administration

Donald Steven Smith, Columbus  
B.S.Bus.Adm.  
*Field of Specialization:* Business  
Administration

Samuel Elijah Sturgis,  
Selbyville, Del.  
B.S. (University of Delaware)  
*Field of Specialization:* Business  
Administration

Ung Bieu Tam, Cholon, Vietnam  
B.S.Bus.Adm.  
*Field of Specialization:* Business Administration

Robert David Turner, Marion  
B.S.Bus.Adm.  
*Field of Specialization:* Business Administration

Gerardo Antonio Vasquez, Colombia  
B.A.Ed. (Universidad de Antioquia)  
*Field of Specialization:* Business Administration

Charles Anthony Wilson, Columbus  
B.G.S. (Capital University)  
*Field of Specialization:* Business Administration

Thomas Alden Wilson, Cincinnati  
B.S.Bus.Adm.  
*Field of Specialization:* Business Administration

James Kurt Winterhalter, Kettering  
B.S.Bus.Adm.  
*Field of Specialization:* Business Administration

#### Master of City and Regional Planning

Six candidates

Mary Beth Anderson Alsop,  
St. Paul, Minn.  
B.A. (Hamline University)  
*Field of Specialization:* City and Regional Planning

Philip Jan Hughey, Kilgore, Tex.  
B.S. (United States Military Academy)  
*Field of Specialization:* City and Regional Planning

Robert Scott Joice, St. Louis, Mo.  
A.B. (Washington University)  
*Field of Specialization:* City and Regional Planning

\*Virgil Florian Keller, St. Henry  
B.A. (Wright State University)  
*Field of Specialization:* City and Regional Planning

Thomas C. Kensler, III, Dayton  
B.S.Bus. Adm.  
*Field of Specialization:* City and Regional Planning

Patricia Anne McPartland,  
Fair Lawn, N. J.  
A.B. (University of Missouri)  
*Field of Specialization:* City and Regional Planning

#### Master of Fine Arts

Three candidates

Christopher Brian Cade,  
Glendale, Md.  
B.A. (University of Maryland)  
*Field of Specialization:* Theatre

Frank Morris Miller, III,  
Philadelphia, Pa.  
B.S. (Temple University)  
*Field of Specialization:* Theatre

Emmanuel Christian Nyarkoh,  
Kumasi, Ghana  
B.A. (University of Science and Technology)  
*Field of Specialization:* Art

#### Master of Music

Two candidates

Diane Lynn Meyer, Pittstown, N. J.  
B.A. (Marshall University)  
*Field of Specialization:* Music

Hugh Douglas Slusher, Columbus  
B.M. (Westminster Choir College)  
*Field of Specialization:* Music

#### Master of Science

One hundred and forty-four candidates

Sammy Izundu Agajelu,  
Enugu, Nigeria  
B.S. (University of Nigeria)  
*Field of Specialization:* Geodetic Science

Larry Eugene Agler, Harrod  
B.S.Ed.  
*Field of Specialization:* Computer and Information Science

Farid El-Mamoun Mohamed Ahmed,  
United Arab Republic  
B.S., M.S. (Ain Shams University)  
*Field of Specialization:* Biophysics

John Richard Augenstein, Marion  
B.S.Agr.  
*Field of Specialization:* Agricultural Economics and Rural Sociology

Olubodun Olarewaju Ayeni,  
Ikole Ekiti, Nigeria  
B.A. (University of Ibadan); M.S. (University of Lagos)  
*Field of Specialization:* Geodetic Science

Christos Babajimopoulos,  
Chrysoupolis, Greece  
Ptychion (Aristotelian University)  
*Field of Specialization:* Agronomy

Joseph Edmund Baggott,  
Mt. Vernon, Ill.  
B.A. (DePauw University)  
*Field of Specialization:* Chemistry

Mary Herndon Bailey, Columbus  
B.A. (Capital University)  
*Field of Specialization:* Chemistry

John Christopher Baker, Warren  
B.S.  
*Field of Specialization:* Zoology

Raman K. Baweja, Lucknow, India  
B.Pharm. (Birla Institute of Technology and Science)  
*Field of Specialization:* Pharmacy

Dorothy Unseth Behling, Columbus  
B.S.H.E.  
*Field of Specialization:* Home Economics

Priscilla Beth Bell,  
Saddle River, N. J.  
B.S. (Mount Union College)  
*Field of Specialization:* Chemistry

Gary Lee Bennett, Galva, Ia.  
B.S. (Iowa State University)  
*Field of Specialization:* Animal Science

George Botoman, Cleveland  
Diploma (University of Bucharest, Romania)  
*Field of Specialization:* Geology and Mineralogy

Frank A. Orlando Brigano,  
Utica, N. Y.  
B.S. (University of Cincinnati)  
*Field of Specialization:* Microbiology

\* Also, Master of Social Work,  
Graduate School

Bruce Edward Brombacher, Bucyrus  
B.S. (Heidelberg College)  
*Field of Specialization*: Physics

Owen Delos Buck, Westminster, Vt.  
B.S. (Bates College)  
*Field of Specialization*: Zoology

Jo Ann Canright, Columbus  
B.S.Nurs., B.S.Ed.  
*Field of Specialization*: Natural  
Resources

Carson C. Carlisle, Dayton  
B.A. (University of the South)  
*Field of Specialization*: Mathematics

Sujate Chaovanit, Bangkok, Thailand  
Higher Diploma (Thonburi Technical  
Institute)  
*Field of Specialization*: Mechanical  
Engineering

Shu-Lian Diana Chow, Taipei, Taiwan  
B.S. (National Taiwan University)  
*Field of Specialization*: Pharmacy

Patrick Ming Chu, Hong Kong  
B.S. (Southern Illinois University)  
*Field of Specialization*: Electrical  
Engineering

Tyler Cleveland Clark, Columbus  
B.S.Agr.  
*Field of Specialization*: Animal  
Science

Daniel Webster Cloer, Jr.,  
Newport News, Va.  
B.S. (Furman University)  
*Field of Specialization*: Computer and  
Information Science

Roger Lee Collins, Woodbridge, Va.  
B.S. (Virginia Polytechnic Institute)  
*Field of Specialization*: Zoology

Charles R. Conroy, Columbus  
B.A., D.D.S.  
*Field of Specialization*: Dentistry

Frederick Charles Cooke, Xenia  
B.S.Agr.  
*Field of Specialization*: Agricultural  
Education

Michael Ray Crews,  
Winston-Salem, N. C.  
B.S. (University of North Carolina)  
*Field of Specialization*: Electrical  
Engineering

Tony Lee Cummins, West Mansfield  
B.S.Agr.  
*Field of Specialization*: Horticulture

Richard Jacobs Davis,  
Tuscaloosa, Ala.  
B.S. (University of Alabama)  
*Field of Specialization*: Electrical  
Engineering

Marilyn Bauer Davison, Columbus  
B.S. (Duke University)  
*Field of Specialization*: Computer and  
Information Science

Michael Edward DeCapita, Avon Lake  
B.S.  
*Field of Specialization*: Zoology

Raymond A. DeStephen, Coalton  
B.S.C.E. (Ohio University)  
*Field of Specialization*: Civil  
Engineering

Donald DiCristoforo,  
West Warwick, R. I.  
B.S. (University of Rhode Island)  
*Field of Specialization*: Computer and  
Information Science

Paul Jennings Dixon, Waverly  
B.S.Agr.  
*Field of Specialization*: Agricultural  
Education

Lawrence Joseph Dries, Louisville, Ky.  
B.S. (Tulane University)  
*Field of Specialization*: Physics

Kenneth E. Endicott, Columbus  
B.S., D.D.S.  
*Field of Specialization*: Dentistry

Richard Bartholomew Farmer, III,  
Metairie, La.  
B.S. (Louisiana State University);  
D.D.S. (Loyola University)  
*Field of Specialization*: Dentistry

Charles Frederick Ferris, Canton  
B.S.Agr.  
*Field of Specialization*: Dairy Science

James Richard Foltz, Baltimore  
B.S.Agr.  
*Field of Specialization*: Animal  
Science

Alan Fried, Fairlawn, N. J.  
B.S. (Fairleigh Dickinson University)  
*Field of Specialization*: Chemistry

William M. Fugel, Collins  
B.S.Ch.E.  
*Field of Specialization*: Chemical  
Engineering

Robert Donald Fulton, Columbus  
B.S.E.E.  
*Field of Specialization*: Electrical  
Engineering

Bahman Ghorashi, Teheran, Iran  
B.S. (Wayne State University)  
*Field of Specialization*: Chemical  
Engineering

Jack Eugene Gibbons, Columbia, S. C.  
B.S. (Madison College)  
*Field of Specialization*: Nursing

Bruce M. Gillespie, Springfield  
B.A. (Wittenberg University)  
*Field of Specialization*: Nuclear  
Engineering

James F. Gleason, Columbus  
B.S. (Rensselaer Polytechnic  
Institute)  
*Field of Specialization*: Industrial and  
Systems Engineering

Ronald Junior Glidewell, Dayton  
B.S.A.E. (University of Kansas)  
*Field of Specialization*: Aeronautical  
and Astronautical Engineering

Mohamed Mahmoud Gohar,  
United Arab Republic  
B.S. (Alexandria University)  
*Field of Specialization*: Chemistry

Carol Johnson Gordon, Columbus  
B.S.Ed.  
*Field of Specialization*: Home  
Economics

\*Jacquelyn Ann Gould, Worthington  
*Field of Specialization*: Horticulture

James Worth Greenwood,  
Galveston, Tex.  
B.S.Pharm. (University of Texas)  
*Field of Specialization*: Physiology

Satish Gupta, Delhi, India  
B.Tech. (Indian Institute of  
Technology)  
*Field of Specialization*: Electrical  
Engineering

Katherine Kyung-Hee Ha, Columbus  
B.S. (Ewha Woman's University,  
Korea)  
*Field of Specialization*: Food Science  
and Nutrition

Roy Harkow, Forest Hills, N. Y.  
B.A. (State University of New York  
at Albany)  
*Field of Specialization*: Computer and  
Information Science

Edwin Curtis Harler, III,  
King of Prussia, Pa.  
B.A., B.S. (Pennsylvania State  
University)  
*Field of Specialization*: Agricultural  
Economics and Rural Sociology

\* Also Bachelor of Science in Food Technology,  
College of Agriculture and Home Economics

Theodore Robert Harless,  
Marietta, Ga.  
B.B.A. (University of Cincinnati);  
D.D.S.  
*Field of Specialization:* Dentistry

John Alan Harri, Fairport Harbor  
B.S., B.S.Ed.  
*Field of Specialization:* Plant  
Pathology

Gary Ernest Hawke, Columbia Station  
B.S.  
*Field of Specialization:* Natural  
Resources

Thomas Richard Heferle, Toledo  
B.S. (University of Toledo)  
*Field of Specialization:* Zoology

Ronald George Heiber,  
University Heights  
D.D.S.  
*Field of Specialization:* Dentistry

Edward Steven Hirtelt, Hubbard  
B.S.  
*Field of Specialization:* Computer and  
Information Science

Hsiao Huan Hua, Taipei, Taiwan  
B.S.E. (National Taiwan University)  
*Field of Specialization:* Chemistry

Marvin Macklem Hurd, Ida Grove, Ia.  
B.S. (Iowa State University); M.D.  
(University of Iowa)  
*Field of Specialization:* Physical  
Medicine

John L. Hyatt, Westlake  
B.S. (Baldwin-Wallace College);  
D.D.S.  
*Field of Specialization:* Dentistry

James Richard Ice, Jackson  
B.S.Ed. (Ohio University)  
*Field of Specialization:* Horticulture

Karen Eleanor Jackson, Portsmouth  
B.S.Ed.  
*Field of Specialization:* Natural  
Resources

Christine Amelia Janus, Cleveland  
B.S. (John Carroll University)  
*Field of Specialization:* Entomology

Jacob Kamen, Brooklyn, N. Y.  
B.A. (Brooklyn College)  
*Field of Specialization:* Computer and  
Information Science

Kamal B. Kardosh, Eau Claire, Wis.  
B.S. (University of Wisconsin)  
*Field of Specialization:* Food Science  
and Nutrition

Safwan Abbas Khedr, Giza, Egypt  
B.C.E. (Cairo University)  
*Field of Specialization:* Civil  
Engineering

Sue T. Kindred, Columbus  
B.S.Ed. (Capital University)  
*Field of Specialization:* Home  
Economics

James Roy Kiracofe, Lima  
B.S.Agr.  
*Field of Specialization:* Agricultural  
Economics and Rural Sociology

Matthias V. Kliorys, South Euclid  
B.S. (John Carroll University)  
*Field of Specialization:* Computer and  
Information Science

Stephen Donald Kopp,  
Kennett Square, Pa.  
B.S. (Drexel University)  
*Field of Specialization:* Computer and  
Information Science

Nancy Ellen Kreitz, Springfield  
B.A. (Wittenberg University)  
*Field of Specialization:* Computer and  
Information Science

Thomas Anthony Kremer, Arcanum  
B.S.Agr.  
*Field of Specialization:* Agricultural  
Education

Jeffrey Roland Kreutzberg, Columbus  
B.S.All'd.Hlth.Prof., M.S.  
*Field of Specialization:* Anatomy

Alan Joseph Kundtz, Columbus  
B.C.E.  
*Field of Specialization:* Civil  
Engineering

Patrick Joseph Kunke, Circleville  
B.S.Med.Tech.  
*Field of Specialization:* Pathology

Charan Jit Lal, Moradabad, India  
B.Sc. (Agra University); B.E.  
(University of Roorkee); M.E.  
(Indian Institute of Science)  
*Field of Specialization:* Metallurgical  
Engineering

Pok-Fai Lee, Kowloon, Hong Kong  
B.S. (Oregon State University)  
*Field of Specialization:* Electrical  
Engineering

Robert Leonard Leff, Trotwood  
B.S. (Mississippi State College)  
*Field of Specialization:* Mechanical  
Engineering

Thomas E. Linkous, Columbus  
B.S.Ed. (Otterbein College)  
*Field of Specialization:* Natural  
Resources

Chung-Der Liu, Tainan, Taiwan  
B.S., M.S. (National Tsing Hua  
University)  
*Field of Specialization:* Mathematics

Fred Andrew Lovell, North Olmsted  
B.S.E.E.  
*Field of Specialization:* Electrical  
Engineering

Karl Arne Maki, Longview, Wash.  
B.S. (Washington State University);  
D.D.S. (Marquette University)  
*Field of Specialization:* Dentistry

Vicki Everding Malley, Dayton  
B.S.H.E.  
*Field of Specialization:* Home  
Economics

Patrick J. Mascaro, Weirton, W. Va.  
B.S.Pharm. (West Virginia  
University)  
*Field of Specialization:* Pharmacy

Dorothy Mae Mason, Columbus  
B.S.Nurs.  
*Field of Specialization:* Nursing

Marilyn Gene Matthews,  
Pittsburgh, Pa.  
B.S. (Pennsylvania State University)  
*Field of Specialization:* Chemistry

Richard Elliott McClelland,  
St. Albans, W. Va.  
B.S. (United States Military  
Academy)  
*Field of Specialization:* Mechanical  
Engineering

Daniel McLuskey, Salisbury, Australia  
B.Tech. (University of Adelaide)  
*Field of Specialization:* Geodetic  
Science

Thomas Lloyd McMichael,  
Spencerville  
B.S.  
*Field of Specialization:* Physiology

James H. Michel, Cincinnati  
B.S. (University of Missouri at  
Rolla)  
*Field of Specialization:* Metallurgical  
Engineering

Daniel Raymond Miller, Postville, Ia.  
B.S. (Iowa State University of  
Science and Technology)  
*Field of Specialization:* Agricultural  
Education

Adam Misztal, Columbus  
B.B.A. (LeMoyné College); B.B.A.  
(University of Arizona)  
*Field of Specialization:* Natural  
Resources

- David A. Morena, Canton  
B.S.I.E.  
*Field of Specialization* : Civil Engineering
- John J. Murphy, Dayton  
D.D.S.  
*Field of Specialization* : Dentistry
- John F. Nawrocki, Columbus  
B.S.  
*Field of Specialization* : Microbiology
- Benedict Ammon Neequaye, Ghana  
Diploma (University of Science and Technology)  
*Field of Specialization* : Geodetic Science
- Rosemary E. Onyejekwe, Onitsha, Nigeria  
B.Sc. (University of Nigeria)  
*Field of Specialization* : Zoology
- William J. Overholtz, Lima  
B.S.Agr.  
*Field of Specialization* : Zoology
- Yong Soo Park, Seoul, Korea  
B.S. Engr. (Seoul National University)  
*Field of Specialization* : Metallurgical Engineering
- Dale Nathaniel Payne, South Vienna  
B.S.  
*Field of Specialization* : Anatomy
- Jerry L. Pittenger, Columbus  
B.S. (Miami University)  
*Field of Specialization* : Industrial and Systems Engineering
- Christos Poseidon, Athens, Greece  
B.A. (Ohio Wesleyan University)  
*Field of Specialization* : Nuclear Engineering
- Corbett Andrew Price, Columbus  
B.S. (Central State University)  
*Field of Specialization* : Allied Medical Professions
- Maria Esperanza Quintero, Cali, Valle, Colombia  
Quimico Farmaceutico (Universidad de Antioquia)  
*Field of Specialization* : Food Science and Nutrition
- Brian James Rairick, Copley  
B.S.  
*Field of Specialization* : Zoology
- G. Kent Redett, Amlin  
B.S.Agr.  
*Field of Specialization* : Agricultural Economics and Rural Sociology
- Garth T. Reid, Huntington Beach, Calif.  
D.D.S. (University of the Pacific)  
*Field of Specialization* : Dentistry
- Thomas Stuart Rice, West Lafayette, Ind.  
B.S. (Purdue University)  
*Field of Specialization* : Aeronautical and Astronautical Engineering
- John W. Richardson, Columbus  
D.V.M.; M.P.H. (University of Michigan)  
*Field of Specialization* : Veterinary Preventive Medicine
- Stanley Earle Rittgers, Columbus  
B.S. (State University of New York at Buffalo)  
*Field of Specialization* : Mechanical Engineering
- Howard Donald Ross, South Euclid  
B.S.M.E.  
*Field of Specialization* : Mechanical Engineering
- Frederick A. Ruecker, Worthington  
B.A. (Central College, Missouri); D.V.M. (University of Missouri at Columbia)  
*Field of Specialization* : Veterinary Pathobiology
- Barbara L. Thomas Rutledge, Columbus  
B.A. (Central State University)  
*Field of Specialization* : Home Economics
- Abram Joe Saboleh, Sierra Leone, West Africa  
B.S.Agr.  
*Field of Specialization* : Agricultural Education
- Louis Edgar Sahr, Columbus  
B.S. (Allegheny College); M.S. Phys. (Case Western Reserve University)  
*Field of Specialization* : Industrial and Systems Engineering
- David J. Scheuerman, Columbus  
B.S. (Capital University)  
*Field of Specialization* : Horticulture
- Cheryl Klouzal Schmidt, Garrettsville  
B.S.Nurs.  
*Field of Specialization* : Nursing
- Helen S. Schneider, Mt. Sterling  
A.B. (Wilmington College)  
*Field of Specialization* : Agricultural Education
- Robert J. Schraeder, Jr., Basking Ridge, N. J.  
B.S. (United States Air Force Academy)  
*Field of Specialization* : Physics
- Ronald M. Segal, Northfield  
B.S. (United States Air Force Academy)  
*Field of Specialization* : Physics
- H. L. Shivaprasad, Bangalore, India  
B.V.Sc. (University of Agricultural Sciences); M.V.Sc. (University of Agriculture and Technology)  
*Field of Specialization* : Poultry Science
- Thomas Alan Shockey, Columbus  
B.A.  
*Field of Specialization* : Horticulture
- William Dale Short, Archbold  
B.S.Agr.  
*Field of Specialization* : Agricultural Economics and Rural Sociology
- Michael Skolnick, Binghamton, N. Y.  
B.A. (State University of New York at Binghamton)  
*Field of Specialization* : Computer and Information Science
- David E. Smith, Grove City  
B.S. (Stockton State College)  
*Field of Specialization* : Food Science and Nutrition
- Ronald J. Spiker, Norwich  
B.S.Agr.  
*Field of Specialization* : Agricultural Economics and Rural Sociology
- Mark B. Stafford, Jackson  
B.S. (Rio Grande College)  
*Field of Specialization* : Animal Science
- Helen G. Storer, Sabina  
B.S.H.E. (Ohio University)  
*Field of Specialization* : Agricultural Education
- Abdel Fattah Abdalla Taha, Kermaelnoze, Sudan  
B.Sc. (University of Khartoum)  
*Field of Specialization* : Horticulture
- Anthony Simon Turner, Kew, Australia  
B.V.Sc. (University of Melbourne)  
*Field of Specialization* : Veterinary Clinical Sciences

Charles Edward Wallace, Oberlin  
D.V.M.  
*Field of Specialization: Veterinary  
Clinical Sciences*

Kay Ellen Wellman, Columbus  
B.S.Nurs.  
*Field of Specialization: Nursing*

David H. Wigton, Perrysville  
D.V.M.  
*Field of Specialization: Veterinary  
Pathobiology*

Bernice Uhl Wilson, Columbus  
B.S.Nurs.  
*Field of Specialization: Nursing*

Terry L. Wilson, Mansfield  
B.S.Ed. (Ohio University)  
*Field of Specialization: Natural  
Resources*

Sumpun Wongnawa,  
Thamai, Thailand  
B.S. (Michigan Technological  
University)  
*Field of Specialization: Chemistry*

Carlton W. Yancey,  
Parkersburg, W. Va.  
B.S.E.E. (Ohio University)  
*Field of Specialization: Electrical  
Engineering*

Robert James Yorde, Jr., Columbus  
B.A. (Ohio Wesleyan University)  
*Field of Specialization: Industrial and  
Systems Engineering*

Charles Randall Young, Oreland, Pa.  
B.S. (Drexel University)  
*Field of Specialization: Computer and  
Information Science*

#### **Master of Social Work**

One candidate

\*Virgil Florian Keller, St. Henry  
B.A. (Wright State University)  
*Field of Specialization: Social Work*

\* Also Master of City and Regional Planning.  
Graduate School

## Colleges of the Arts and Sciences

Chairman, Coordinating Council of Deans: Colin B. B. Bull  
Vice Provost for the Arts and Sciences: Thomas A. Willke

The Colleges of the Arts and Sciences, a federation of five colleges, includes:

### College of The Arts

Dean: Lee Rigsby

### College of Biological Sciences

Dean: Richard Bohning

### College of Humanities

Dean: Arthur E. Adams

### College of Mathematics and Physical Sciences

Dean: Colin B. B. Bull

### College of Social and Behavioral Sciences

Acting Dean: Edward C. McDonagh

Paul Dean Frederick, Brecksville  
Richard Michael Glick,  
Lincolnwood, Ill.  
Mary Virginia Goodyear,  
Reynoldsburg  
Sara Elizabeth Hornor,  
Stamford, Conn.  
Carlyle David Johnson, Columbus  
Anne Suzanne Judd, Chillicothe  
Mari-Ann Karolin, Worthington  
Sarajane Kleine, Centerville  
Kristen Louise Lawson, Bay Village  
Dale Allen Leidheiser, Columbus  
Mary Virginia McGuire, Mt. Vernon  
Gale Ferris Peabody, Columbus  
John William Petten, Columbus  
Charles Alan Putsch, Bay Village  
Lynne Kirby Rickard, Columbus  
John Richard Rizzo, Marion  
Thomas Jude Scullin, Hubbard  
Bryan James Sowecke, Huron  
Daniel Joseph Vanden-Eynden,  
Columbus  
Freida Shanfield Villepontoux,  
Princeton, N. J.  
John Wade Zingg, Coshocton

### Bachelor of Music Education Offered jointly by the College of The Arts and the College of Education

Ten candidates

Donna Susan Aho, Columbus  
Patrick Kevin Ankrom, Columbus  
Benita Maria Contra, Mansfield  
Denise Lee Damsel, Barnesville  
Thomas Allen Dove, Newark  
Kathy Ann Hildebrand, Avon  
Steven Earl Plaskett, Canton  
Joanna Mogan Porreca, Columbus  
Nanci Lynn Reichenbach, Columbus  
David Lee Stuckey, Defiance

### Bachelor of Science in Industrial Design

One candidate

Robert Phillip Johnson, Columbus

## College of The Arts

Dean: Lee Rigsby

### Bachelor of Arts

Seven candidates

Janice Leoshko Dundon, Westerville  
Roger Allen Gardner, Columbus  
Deborah Ann Goldstein, Akron  
Gwen Hammat Kagey, Columbus  
Mark Daniel Ondrake, South Euclid  
Billy Wayne Rodgers, Bucyrus  
Robert Tomas Zeeb, Springfield

### Bachelor of Fine Arts

Twenty-eight candidates

Amy Louise Ault, Urbana  
Janet Lynn Beery, Hillsboro  
Brian Luther Brendle, Mansfield  
Christopher Scott Cady, Columbus  
Marcia Anne Clark,  
Grosse Pointe Woods, Mich.  
Paul Gerald Doeden, Hicksville  
Sally Rae Fink, Columbus

### Bachelor of Art Education Offered jointly by the College of The Arts and the College of Education

Fourteen candidates

Sharon Ann Carlisle, Mansfield  
Cynthia Lynn Carlson,  
Richmond Heights  
Barbara Bayless Clark, Columbus  
Diane Thayer Gantz, Orient  
Debra Jean Hubbell, Columbus  
Dori Bondor Huber,  
Union Mills, Ind.  
Cynthia Hickey Kerr, Columbus  
Mary Margaret Kramer, Dayton  
Maxine Barbara Kulla, Yonkers, N. Y.  
Rosalia Richey, Crestline  
Marilyn Jean Saks,  
University Heights  
Larry Duane Smith, Marion  
Marilyn Galvin Stewart, Columbus  
Celia Gay Wright, Orient

## College of Biological Sciences

Dean: Richard Bohning

### Bachelor of Arts

Eight candidates

Frances Hershey Ault, Marion  
B.S.Ed.  
Ann Christine Browning, Columbus  
Robert Henry Meister, North Canton  
Jeffrey William Milks, Amherst  
Patrick Hayden Sullivan, Dayton  
James William Swanson, Dayton  
Leopold Weinstein, Cleveland Heights  
Matthew C. Wilson, South Point

### Bachelor of Science

Eighty-four candidates

Stephen Joseph Anthony, Ashville  
Terry Steven Arnoff, Columbus  
Patricia Tierney Arnold, Copley



Alan Philip Bakaletz, Avon  
 Brian Alan Bennett, Canton  
 Donnie Eugene Bixler, Goshen  
 William Avery Boardman, Maumee  
 Barbara Boesel, St. Marys  
 Juan Manuel Bowen, Columbus  
 Terry Lynn Brown, Columbus  
 William Joe Brown, Findlay  
 Debra Louise Callahan, Springfield  
 Angela Marie Callender, Xenia  
 Michael Edward Carroll, Columbus  
 Charles Bayley Chandler,  
 Tenafly, N. J.  
 Tim Alan Christiansen, Port Clinton  
 Dale Allerton Connin, Columbus  
 Wesley Stephen Cook, Marion  
 Peter Jeffrey Costas, Portsmouth  
 Terrence Alan Croyle, Amherst  
 Jennifer Fay Culver, Columbus  
 Patrick Joseph Doyle, Wellsville  
 Robert Stephen Eby, Northwood  
 Patricia Anne Farwig, Postoria  
 Daniel Terence Feeley, Lorain  
 Jerrold Samuel Fina, Chicago, Ill.  
 Larry Alan Fish, Cambridge  
 Thomas Lynn Flick, Bluffton  
 Alan Gray Forshey, Caldwell  
 Robert Stephen Geiger, Marion  
 Joel Evan Goodnough, Kettering  
 Dianne Grimaldi, Bergenfield, N. J.  
 Paul B. Grossman, Wyncote, Pa.  
 John Ellen Anne Guroy, Willoughby  
 Mary Lee Haas, Fairborn  
 Mark Lawrence Haddox, Columbus  
 James Robert Hartman, Barberton  
 Mark Allan Huntzinger, Fremont  
 Mark Floyd Johnson, Worthington  
 Eduardo Jorge, Columbus  
 David Lee Kaufman, Kenton  
 Charles David Kerr,  
 Warrensville Heights  
 David Paul Keseg, Columbus  
 David William Kidd, Brunswick  
 Mary Louise Klein, Columbus  
 David Lee Kroninger, Gahanna  
 John Paul Kusta, Westerville  
 Wendy Ann Lawrence, Edina, Minn.  
 Linda Hickey Leonard, Columbus  
 James Edward Madden, Frazeyburg  
 James Robert Matthews, Jr.,  
 Columbus  
 Barbara Jean Maynard, Garrettsville  
 Linda Ruth McBrayer, Columbus  
 Gregory Lynn Moore, Westerville  
 Deborah Jane Nash, New Carlisle  
 Donald Steven Nelson, Springfield  
 Craig Allen Nyerges, Parma  
 Janet Elaine Porter, Akron  
 Wolfgang Franz Povolny, Warren  
 Thomas Paul Price, III, Gallipolis

Leslie Rose Radbill, Columbus  
 Elizabeth Jane Ramsey, Cincinnati  
 Gordon Howard Rauch, Lima  
 Gary Lee Reed, Shelby  
 Sally Graumlich Ridewood,  
 Washington C. H.  
 Judy Darlene Roberts, Columbus  
 Lynda Ann Roberts, Columbus  
 John Robert Ruff, Lancaster  
 Paul Michael Shelton, Westerville  
 Gary Dennis Shue, Akron  
 Alan John Smith, Vincent  
 JoMarie Ellen Smolec,  
 Bentleyville, Pa.  
 Douglas Arron Snider, Somerset  
 Elizabeth Olds Spencer, Oakton, Va.  
 Nancy Jean Standley, Middletown  
 Daniel Henry Steingass, Columbus  
 B.A. (Miami University)  
 James David Stewart, Fairborn  
 Edward John Stiff, Toledo  
 Judith Marie Stitts, Cleveland  
 Constance Marie Sweet, Springfield  
 Robert Michael Thomas,  
 Upper Sandusky  
 Steven Roger Wanamaker, Findlay  
 William Douglas Weaver,  
 Fairview Park  
 Patricia Chee-Fang Yeung, Cincinnati

Janet Elizabeth Dawson, Columbus  
 John Allen DeMuth, Paulding  
 Richard Lew Finke, Rushville  
 Marian Joseph Fiskiewicz, Columbus  
 Carol Jane Frankenstein, Cincinnati  
 Cecilia Amalia Roman Gerling,  
 Reynoldsburg  
 Janet Diann Gibson, Xenia  
 Joseph Miles Gibson, Columbus  
 John David Goodrich, Westerville  
 Linda Ann Grandstaff, Columbus  
 Joan Mary Halasz, Mentor  
 Mark Kevin Hall, Galena  
 Loren Mark Hamersley,  
 New York, N. Y.  
 Edward William Hastie, Jr.,  
 Columbus  
 Michael Harris Hoffman, Bexley  
 Paula Ursula Humrichouse, Columbus  
 Kathleen Ann Jezierski, Northfield  
 Lloyd Robert Jones,  
 Pound Ridge, N. Y.  
 B.S.  
 Sandra Marie Kerka, Brooklyn  
 Patricia Ann Kuzek,  
 Amsterdam, N. Y.  
 David Jean Leland, Columbus  
 Robert Martin Levey, Toledo  
 Randall Dean Longacre, Marion  
 Mark Douglas Lutz, Circleville  
 Marcus Anthony Malley,  
 Syracuse, N. Y.

## College of Humanities

Dean: Arthur E. Adams

### Bachelor of Arts

Eighty candidates

Patricia Jo Abram, Columbus  
 Joan Catherine Adams, Columbus  
 David William Baird, Loveland  
 Cynthia Janet Bernstein,  
 Shaker Heights  
 Randall Karl Bohn, Hilliard  
 Martin Charles Boron, Elyria  
 Eric Henry Brand, Greenville  
 Clara Marie Brown, Alliance  
 Michael Joe Bumb, Mansfield  
 James Edward Burns, Columbus  
 William Frank Byers, Toledo  
 Donald Lee Caritas, Columbus  
 Samuel Francis Cassandra, Bellaire  
 Erick Lee Cilles, Worthington  
 Olive Burrows Cochran, Columbus  
 Bradford George Colegate, Harrison  
 Thomas Wayne Crerand, Columbus  
 Samuel Anthony Cultrona,  
 Shaker Heights  
 Diane Elaine Marting,  
 West Palm Beach, Fla.  
 Mark Patrick Massey, Columbus  
 Lisbeth Anne McCloskey,  
 Reynoldsburg  
 Glenn Patrick McConnell, Columbus  
 Robert George McMullen,  
 Bellefontaine  
 Veronica Mary Milam, Reynoldsburg  
 David Kim Millon, Cambridge, Mass.  
 Joanne Kelley Montague, Cincinnati  
 Julie Ann Morain, Mt. Vernon  
 Michael John Morley, Twinsburg  
 Barbara Jean Newshutz, Columbus  
 Theresa Ann Parle, Cleveland  
 Joyce Ann Parman, Medina  
 Steven James Phillips, Columbus  
 Kyle Kathryn Powers, Bay Village  
 Sandra Dawson Quimby, Coshocton  
 Sherrel Ann Rieger, Dover  
 Deborah Jean Rose, Columbus  
 James Victor Rutkowski, Avon Lake  
 Fred William Schwartz, Columbus  
 Susan Carol Shepherd, Mansfield  
 Mark Alan Shutt, Columbus  
 Bradford Kent Smith,  
 Boca Raton, Fla.

Dellas Ray Spears, Hamilton  
 Thomas Herron Staebler, Mentor  
 Thomas Jefferson Stone, Jr.,  
 Granville  
 Holly Elizabeth Stump, Euclid  
 Suellyn Eileen Sykes, Lima  
 Ann Prudence Trommether, Euclid  
 Denise Kay Van Horn, Canton  
 Neil Van Winkle, Richwood  
 Kurt Joseph Von Boeselager,  
 Cincinnati  
 Monica Gesina Warmenhoven, Akron  
 Rolfe Chandler Weiss, Worthington  
 Wayne William Wiechart, Elida  
 Michael Robert Wintering, Columbus  
 Claudia Jo Ziff, Lincolnwood, Ill.

## College of Mathematics and Physical Sciences

Dean: Colin B. B. Bull

### Bachelor of Arts

Seven candidates

Steven Charles Buckmaster,  
 Memphis, Tenn.  
 Larry Dean Denton, Galion  
 Richard Wayne Linek, Parma Heights  
 \*Thomas Charles Melaney, Alliance  
 \*Duane Albert Miller, Brook Park  
 Thomas Earl Poinar, Akron  
 Rebecca Benton Westbrook, Orwell

### Bachelor of Science

Nineteen candidates

John Raymond Atkinson, Steubenville  
 Bruce Edward Buxton, Worthington  
 Russell Edward Conn, Russellville  
 Dana Lee Craft, Mansfield  
 Jeffrey Allen Edmister, Marion  
 Annette Jean Glavan, Alliance  
 Harold Wayne Heiss, Jr., Columbus  
 Esa Tero Jarvi, Columbus  
 Katherine Elizabeth Jenny, Mansfield  
 Kevin Lawrence Kane, Columbus  
 Timothy Peter Krichbaum, Mansfield  
 Judy Christine McDonald, Columbus  
 Christine Ann Mendel, Columbus

David Jeffrey Nathanson,  
 East Cleveland  
 David Alex Pittinger, Columbus  
 Bradley Arthur Pritts, Jr., Cleveland  
 Mark Ray Schipper, Dayton  
 Steven Leonard Schmidt, Lewisburg  
 David Paul Trainor, Dayton

## College of Social and Behavioral Sciences

Acting Dean: Edward C. McDonagh

### Bachelor of Arts

One hundred and fifty-eight candidates

Olatunji O. Abayomi, Lagos, Nigeria  
 Janet Smith Anderson, Warren  
 James Martin Aska, Worthington  
 \*Brett Lawrence Baby, Worthington  
 William Frederick Bacon, Jr.,  
 Columbus  
 David Marshall Barnes, Worthington  
 Thomas Edward Barnes, Grove City  
 Robert Evan Baskin, Shaker Heights  
 Gary Richard Bast, Galloway  
 DeMaris Lynnette Bell, Columbus  
 Amy Ruth Bennett, Grove City  
 Stuart Martin Berry, New York, N. Y.  
 Peggy Marlene Bever, Whipple  
 Bian Evadne Beverly,  
 Philadelphia, Pa.  
 Joel David Binkley, Coshocton  
 David Harding Birch, Columbus  
 Bonne Belle Sands Black,  
 Westfield Center  
 David Leslie Blue, Mt. Vernon  
 Theodore Robert Bobosh, Warren  
 Charles Albert Bowers, Jr.,  
 West Alexandria  
 Kathy Meg Bracic, Parma Heights  
 Jeffrey Paul Burmeister, Cleveland  
 Michael Alan Byers, Columbus  
 Barbara Anne Carman, Germantown  
 Glen Thomas Chutsky, Wayne, N. J.  
 Nancy Anne Clark, Columbus  
 Martin David Clever, Westerville  
 Carolyn Joyce Collins, Columbus  
 David Michael Comiono, Strongsville  
 Rick Raymond Contrucci,  
 Downey, Calif.  
 Patrick William Cooper, London  
 Joseph Vincent Corcoran, Dayton

William Jenkins Corzine, Chillicothe  
 David Howard Cox, Whitehall  
 William Charles Curley, Cincinnati  
 Lawrence Timothy Dalton, Parma  
 Louis Carmen Damiani, Bellaire  
 Robert Michael Dane, Columbus  
 David Michael Daniels, Scottown  
 Alan Stuart Davis, South Euclid  
 Carl John Deddens, Kettering  
 David Scott Denies, Toledo  
 Michael Gordon DePew, Medina  
 Matthew Joseph Dowling, Jr.,  
 Perrysburg  
 Patricia Gale Drury, Vandalia  
 David Lee Durham, Gallipolis  
 Ronald Edward Durie, Wooster  
 Louis Paul Endres, III,  
 New Philadelphia  
 Lawrence Saul Epstein, Cleveland  
 Paul Michael Erdos, Canton  
 Debra Lee Esty, Marengo  
 Thomas George Faehnle, Sabina  
 Lynda Beth Fazio, Pittsburgh, Pa.  
 Richard Samuel Fields, Mantua  
 Cheri Mohr Fifer, DeGraff  
 Robert Todd Finlay, Collinsville  
 Betty Louise French, Galion  
 Stewart Charles Gardner,  
 Washington C. H.  
 Molly Jama Gilbride, Columbus  
 Gregory Lawrence Goodman,  
 Kettering  
 Donna Fern Gutentag, Beachwood  
 Joanne S. Gutter, Columbus  
 Alvin Murray Gutman,  
 Pittsburgh, Pa.  
 Deborah Anne Hague, Steubenville  
 Alvara M. Hommen, Columbus  
 Harold Lloyd Hughes, Jr., Lima  
 Bruce Leroy Ingram,  
 Mt. Pleasant, Mich.  
 James Andrews Irwin, Columbus  
 Kenneth David Jameson, Lima  
 John Edward Jaskolski, Defiance  
 Olin Robert Johanssen, Sylvania  
 Cleve Mitchell Johnson, Columbus  
 Lauren Joy Kallmann, Erie, Pa.  
 Stuart Webster Kendall, Salem  
 Eugene Alan Knepper, Mason  
 Gustave Earl Krauss, Clyde  
 Karen Suzanne Krupp, Toledo  
 Timothy John Kubli, Niles  
 Peter Thomas LaFramboise,  
 Columbus  
 Cynthia Vandenberg Lando,  
 Blue Jay, Calif.

\* Also Bachelor of Science in Education,  
 College of Education

William James Leeper, Dennison  
 Joseph Brent Lieser, Dover  
 Philip W. Limes, Hillsboro  
 Roxi Ann Liming, Oceola  
 Laurel Janis Linden, Beachwood  
 Bruce Raymond Livensparger,  
 Columbus  
 Marc Douglas Lubline, Akron  
 Christina June Macurak, Columbus  
 Thomas Michael Mahoney, Niles  
 Beth Marlene Mandel, Warren  
 Gerald Lawrence Margolis, Lorain  
 Jaclyn Marsh, Mansfield  
 Timothy Francis McCarthy,  
 Ashtabua  
 Margaret Ellen McCoy, Columbus  
 Joseph Gleason McNemar,  
 Bellefontaine  
 Richard Howard Medley, Jr.,  
 Columbus  
 Anthony Michael Merezicky,  
 Cleveland  
 Philip Keith Miller, Jr., Worthington  
 Peter Kimble Mislovic,  
 East Brunswick, N. J.  
 Frances Lynn Moore, Pittsburgh, Pa.  
 Cynthia Louise Morbitzer, Columbus  
 Robert Vernon Morris, Zanesville  
 Charles Dennis Muha, Parma  
 Lawrence Mark Nager, Pomona, N. Y.  
 Cathy Ann Nagy, Dayton  
 Steven Richard Newman,  
 Bloomfield, N. J.  
 Thomas Patrick Noble, II, Columbus  
 Paul Edward O'Flynn, Middletown  
 Richard Franklin Olson, Richwood  
 Jeffrey Blaine Paramore, Massillon  
 Timothy Keith Pertulla,  
 Shaker Heights  
 Walter Francis Peterseim, III,  
 Lancaster  
 John David Petros, Minerva  
 Frank Michael Piacenti, Columbus  
 John William Prisybilla, Amsterdam  
 Charles Clarence Raabe, Delphos  
 Diana Kay Rigg, Shelby  
 Susan Ellen Riker, Lima  
 Natalio Rodriguez, Lorain  
 Lorna Lee Rolin, Parma  
 Donna Gail Rosenstein, South Euclid  
 Felicia Susan Rudolph,  
 East Meadow, N. Y.  
 Claudia Ann Runion, Toledo  
 Pamela Jeanette Ryan, Columbus  
 Gregory Scott Schoen, Carroll  
 Pamela Lynn Scianamblo, Centerville  
 John William Sheridan, Columbus  
 Thomas Francis Shubella, Columbus  
 David Keith Sichko, Wickliffe

Perry Lewis Sigesmund, Steubenville  
 Sharon Ernestine Simmons, Columbus  
 Robert Gerald Smith, Jr., Hamilton  
 Mary Lou Smithers, Akron  
 Charles Allen Stemple, Miamisburg  
 Wayne L. Stryjek, Garfield Heights  
 Robert Andreas Suter, Columbus  
 Gregory Anthony Swinarski,  
 Cincinnati  
 James Anthony Szczepanski, Toledo  
 Barry Martin Taylor, Columbus  
 B.S.  
 Ann Wengler Thompson, Oxford  
 Irene Ann Timko, Hubbard  
 Angela Lynn Tsitouris, Columbus  
 Deborah Ann Tyler, Kettering  
 Lynne Marie Utrata, Bay Village  
 Michael Mason Van Buskirk,  
 Worthington  
 David Louis Vargo, Columbus  
 Lynne Anne Vrabec, Lakewood  
 Vanessa Deborah Walton,  
 Alexandria, Va.  
 Marsha Kay Weston, Marion  
 George Washington Wilkins, Jr.,  
 Bellefontaine  
 John Thomas Williams, Ottawa  
 William Karnet Willis, Jr., Columbus  
 Stephen William Wilson, Columbus  
 Douglas Alan Witham, Lima  
 Nancy Sugg Woods, Akron  
 Alice Joan Wright, Chillicothe  
 James Joseph Yatsko, Youngstown  
 Derk Arnold Young, Kettering

#### **Bachelor of Science**

Thirty candidates

Denise Louise Blazek, Warren  
 Ann Guenther Buckwalter, Columbus  
 James Raymond Buehler, Columbus  
 Carol Ann Casholi, Steubenville  
 Philip Thurman Churchill, Columbus  
 Jane Cunningham Cooper,  
 Marion, Ind.  
 David Richard Daniels,  
 East Meadow, N. Y.  
 Keith Allen Dickman, New Bremen  
 William Edward Duff, Parma Heights  
 B.A.  
 David Thomas Dusseau, Northwood  
 Kathleen Barabas Ebbs, Wadsworth  
 William John Eberts, Columbus  
 Kimberly Kramer Forman, Columbus  
 Terry Charles Gravett,  
 Middletown, N. J.  
 Donna Herring Green, Columbus

Joseph Stephen Gyure, Jr., Marion  
 Robert Duane Jenkins, Jr., Beverly  
 Marlene Sue Jerwers, Lima  
 Barbara Kay Knaul, Columbus  
 Marc Masonbrink, Mentor  
 Julius C. Mazzarella, Middletown  
 William Graham McClain, Portsmouth  
 Ina Sara McGinnis, Youngstown  
 Jane Waxman Melega, Columbus  
 Rita Karen O'Quin, Centerburg  
 Gayle Robin Rogers, Bellaire  
 Jan Ann Rupert, Wellston  
 Steven Edward Sawyer, Lockbourne  
 Martha Hays Steiner, Flushing  
 Nancy Marie Zelinski, Urbana

#### **Bachelor of Arts in Journalism**

Twenty candidates

Nancy Alexander, Columbus  
 Jerry Lee Allison, Morrow  
 Thomas William Berry, Worthington  
 Cynthia Ann Bolton, Toledo  
 Timothy Collins, Dayton  
 Thomas Arthur D'Anniballe,  
 Steubenville  
 Marilyn Elnora Durbin, Columbus  
 Sean Davern Flanagan, Girard  
 Sandra Catherine Graham, Troy  
 Charles Anson Nixon, North Canton  
 Gloria Lee Quinton, North Lewisburg  
 Gary Lee Schwab, Cleveland  
 Rose Ellen Schwartz, Carroll  
 B.S.Phys.Ther.  
 Richard Louis Sliter, Bellevue  
 Carol Anne Stoff, Dayton  
 Bryan Edward Sykora,  
 Marshall, Mich.  
 John Cameron Torry, Troy, Mich.  
 Gwen Lenora Vinson, Columbus  
 Marilyn Weldon, Columbus  
 Richard Evan Weltman,  
 Staten Island, N. Y.

## College of Administrative Science

Dean: Edward H. Bowman

### Bachelor of Science in Business Administration

One hundred and thirty-one candidates

Judith Tropp Alexander, DeBary, Fla.  
William Nicholas Alexander,  
Columbus  
James Joseph Anderson,  
Oswego, N. Y.  
Roger Nelson Ansel, Jr., Columbus  
Gregory Fox Avellone, Lakewood  
Ronald Francis Baker, Sylvania  
B.S.Agr.  
Stephen Paul Barnes, Columbus  
James David Beach, Dayton  
Duane Richard Beal, Bucyrus  
Bruce Edward Beery, Columbus  
Richard Frederick Bentley, Ironton  
Douglas Lloyd Blanchard, Ashtabula  
Michael Jasper Bowman, Coshocton  
Jane Emerick Brazik, Columbus  
George Roads Bright, Jr., Columbus  
Debra Diane Brown, Marion  
Steven Arnold Calderone, Columbus  
Jerry Carter, Columbus  
Margaret Lynn Casbarro, Columbus  
Earl Leo Cecil, Jr., McArthur  
Keith Lawrence Conard, Westerville  
Steven Edward Corotis, Columbus  
Richard Henry Curtiss, Cleveland  
John D'Andrea, Columbus  
James Ray Deerhake, New Knoxville  
B.A.  
Russell Corwin Dill, Columbus  
William Hal Doms, Cleveland  
Creighton Kim Early, Greenwich  
John William Eaton, Hilliard  
Michael Allan Eekholt, Fairborn  
David Paul Eft, Steubenville  
George William Eisenbach, Newark  
Francis Harold Fellenbaum, Jr.,  
Beachwood  
Roger William Fisher, Worthington  
Kenneth Warren Foust, Worthington  
Richard Alan Friedman,  
Birmingham, Ala.  
Gary John Garapic, Brook Park  
Phillip Raphael Garbig, Arcanum  
Harry Kendrick Gard, Jr., Columbus  
John Lawrence Gary, Akron  
Steven James Gaskins, Worthington  
Eugene Paul Gauche, Fayetteville  
George Monte Gaumer, Warren  
Ronald Ivan Green, Marion  
James Douglas Guest, Lima  
Arthur Curtis Hagen, Ravenna  
James Thomas Harrison, Fairborn  
John Lloyd Hartman, Newark  
Karen Ann Hauser, Elmont, N. Y.

Clarence Davis Heard, Jr.,  
Middletown  
Steven Eric Hegreness, Columbus  
John Herbert Henricks, Chillicothe  
Peggy Lynn Hoelscher, New Knoxville  
William Michael Howard, Beachwood  
B.A.  
Ralph Lewis Howes, Lakewood  
Richard Eugene Hybiak,  
Park Ridge, Ill.  
Kirkland Mark Johnston, Loudonville  
Thomas Lee Jones, Van Wert  
Jerry Merlyn Jordan, Marion  
Joe Grady Keyes, Ashland  
Karen Lynn Kish,  
Middleburg Heights  
James Irvin Knauff, Sabina  
Dennis Dale Koch, Greenville  
Ronald Paul Koegler, Columbus  
John Stephen Kovacs, Ashtabula  
Alan James Kromer, Mansfield  
Edward Krug, Shaker Heights  
Carol Edwards Lang, Reynoldsburg  
David Brent Laymon, Ashland  
Robert David Lee, LaRue  
Alex Elliott Leoshko, Columbus  
Kent Randall Livingston, Bay Village  
Jack Bernard Mager, Columbus  
William Emmett Martin, II, Ravenna  
Robert James McFadden, Jr.,  
Columbus  
Thomas Stephen Mehall, Shelby  
Charles Lewis Melosh, Livonia, Mich.  
Anthony David Messer, Lima  
Donald Eugene Meyer, Springfield  
Daniel Paul Miller, Columbus  
Orville Christian Miller, Jr.,  
Springfield  
Jerome Martin Mitchell, Columbus  
Douglas Kermit Mizer, Newark  
Robert Thomas Mohr, Columbus  
Robert Edwin Murphy, Steubenville  
Matthew Michael Murtha, Columbus  
Charles Evan Natkins,  
University Heights  
Ken Wilfred Niese, Miller City  
Ronald David Novak, Lorain  
Robert Alan Nutini, Columbus  
Kwok Tow Ong, Blythe, Calif.  
B.A.  
Mark Ostroske, Tiltonsville  
Jeffrey Lee Penny, Mansfield  
William Milan Popadich, Barberton  
Daryl Dean Reynolds, Millersport  
Laurence Dale Richardson, Lakeview  
Randy Dwight Roberts, Columbus  
Irving Rosner, South Euclid  
James Joseph Russell, Wheelersburg  
Kenneth Fredric Sachs,  
Newton, Mass.

Ronald Arthur Schoenbaum, Parma  
Paul Joseph Schweinfurth, Prospect  
Joseph Anthony Scono, Columbus  
Guy Banning Selsor, Jr., Piqua  
William Joseph Serenta, Library, Pa.  
Daniel Raymond Skidmore,  
East Liverpool  
James Eugene Smetzer, Perrysville  
Bruce Wayne Smith, Wellston  
Steven Allen Smith, Columbus  
Eric Mark Snedecor, Columbus  
Press Clay Southworth, III, Columbus  
Kenneth Richard Sperry,  
Reynoldsburg  
Keith Patrick Staley, Lakeview  
Alice Shang Sun, Hong Kong  
Thomas Richard Sylvester, Cincinnati  
Steven Glen Terry, Columbus  
Scott Sidney Thompson, Coshocton  
Lee Donald Tooman, Toledo  
William Edward Troxil, Cleveland  
Michael James Trzeinski,  
University Heights  
Mark Jeavons Vaas, Beverly  
Richard Lee VanderHorst, Kettering  
Steven Gary Werkman, Perrysburg  
Thomas Edward Werner, Columbus  
Robert Michael Wieland, Cincinnati  
Nicholas Elmer Will, New Bremen  
Roger Francis Williams, Columbus  
William Edward Williams, Cambridge  
George Herman Wolff, Medina  
John Austin Wolven, Cincinnati  
Joseph Edward Zartman, Cincinnati

### School of Social Work

#### Bachelor of Science in Social Welfare

Forty-one candidates

Debra Joanne Barber, Mansfield  
Carol Louise Barter, Columbus  
Clyde Wayne Bond, Springfield  
Robin Helene Bubis, Beachwood  
Merlane Sue Cochran, Cuyahoga Falls  
Arnita Elaine Cowan, Dayton  
Kenneth Jack Cramer, Vandalia  
Bonita Louise DeRosa, Willowick  
Judith Arlene Derrickson, Columbus  
Diane Marie Duffy, Lima  
Paul Charles Duston, Fredericktown  
Helen Cullinan Ford, Columbus  
Michael Edward Graham, Columbus  
Deborah Ann Grant, Ashtabula  
Linda Pinkerton Griffin, Bay Village  
Betsey Kaufman Guthrie, Marion

## College of Agriculture and Home Economics

Dean: Roy M. Kottman

Mark Gregory Hager, Worthington  
Rachel Diane Harris, Dayton  
Karen Marie Justice, Canfield  
Deborah Covan Kadlec, Westerville  
Hedy Florence Kaplovitz, Cleveland  
Alison Randy Kate, Beachwood  
Christine Cecilia Kisha,  
Mingo Junction  
Kathy Lynn Kuhn, Cincinnati  
Dana Joyce Landis, Mansfield  
Marjorie Lee Limbaugh, Akron  
Elynor Ann Matkins, Dayton  
Orlean Phyllis Moretti, Columbus  
Jan Evan Morgan, Worthington  
Jerri Sue Muenze, Portsmouth  
Ruth Lavonne Rapp, Kenton  
Lynn Denise Rush, Bedford  
Jane Ellen Russell, Landenberg, Pa.  
David Alan Schirner, Columbus  
Karen Schlessel, Beachwood  
J. Aline Scott, Worthington  
Sharon H. Skale, Dayton  
Mary Louise Snider, Lima  
Thomas Charles Snyder, Columbus  
Joy Galbreath Thompson,  
Pittsburgh, Pa.  
Patricia Ann Woods, Columbus

### Bachelor of Science in Agriculture

One hundred and six candidates

Richard Bernard Adams,  
North Massapequa, N. Y.  
Anthony Ray Anderson, Mt. Sterling  
Daniel Michael Babroski,  
North Royalton  
Stephen Robert Baertsche, Dunkirk  
Timothy Lee Bailey, Lima  
Kenneth Wayne Barth, Litchfield  
Bruce Paul Bartsch, Columbus  
Joseph Scott Beam, Xenia  
Steven Patrick Beathard, London  
Michiel Adriaan Beun, Apple Creek  
Sue Ann Bland, Amsterdam  
Kevin Eugene Boblenz, LaRue  
Janell Fairfax Boyd, Columbus  
Bruce Alan Burrow, Sandusky  
Sharon Lee Butcher, Wapakoneta  
Brian Robert Cadnum, Hineckley  
John Cardina, Akron  
Karen Humpe Cooper, Steubenville  
Dan Duffy Cryder, Kingston  
Curtis Clayton Czarniak, Lusby, Md.  
Thomas Eugene Daiber, Nevada  
Aldon Dale Daniels, Columbus  
Thomas Zachariah Davis, Delaware  
Stephen John Dicke, Kettering  
Douglas Dean Dyer, Belle Center  
Ronald Dean Elliott, West Mansfield  
Thomas Daniel Ety, Lancaster  
David Brent Eyssen, Brunswick  
Jeffrey Evan Petters,  
Washington C. H.  
Jan Mary Frick, Lima  
Daniel Jay Friedman, South Euclid  
Stephen Robert Galbraith,  
New Philadelphia  
Michael William Galleher, Mt. Gilead  
Donald Raymond Gilb, Cincinnati  
Eric Allen Gillett, Attica  
Kenyon Ray Glanz, Liberty Center  
Jerome Paul Gundrum, Bergholz  
Robert Charles Hagee, Cincinnati  
Ruby Ann Halper, Piscataway, N. J.  
Charles Francis Hanline, Jr., Willard  
Michael Milton Hayes, Celina  
Floyd William Hayslip, Manchester  
Eugene Michael Hendrix, Cincinnati  
Randolph Miller Horn, Lyndhurst  
Richard Dunlap Hurtt, Clarksburg  
William Arthur Job, Xenia  
Carl John Kern, Jr., Dallas, Pa.  
Richard Kee Knipe, Crooksville  
Harold David Koutz, Columbus  
Martha Jane Kuhn, Bellevue  
Dwain Arthur Leaser, Lindsey  
David Willis LeBourveau, Delaware

Jerry Allen Lees, Granville  
Gary Robert Leever, Cincinnati  
David Joe Lichtensteiger, Ohio City  
Robert Eugene Little, Wapakoneta  
Timothy Matthew Matlock, Mantua  
Gerald Lee Meyer, Botkins  
Dallas William Miller, Greenville  
Robert Earl Miller, West Salem  
Michael Sterling Minor, Solon  
Douglas Lee Morehart, Jenera  
Philip Wayne Morgan, Dayton  
Richard Eugene Morrison,  
New Concord  
B.A. (Florida State University)  
Craig Stuart Myers, Wauseon  
Robert William Niehaus, Jr., Milford  
Foluke Oladoyim Ogungbaji,  
Awe, Nigeria  
James Roderick Taylor Patterson,  
Columbus  
Robert Allen Patterson, Lima  
Gail Arthur Peterson, Caldwell  
Jeffrey Laurence Picher,  
River Edge, N. J.  
Stephen Eugene Pontious, Bremen  
Thomas William Pulfer, Maplewood  
Robert Nelson Rea, Washington C. H.  
Jani Henry Reeves, Grove City  
Richard Steven Rice,  
St. Clairsville  
Chris Wayne Rodabaugh, Forest  
Donald Edward Rodman, Prospect  
Patricia Joanne Seibert, Bryan  
Gregory Hunt Shaw, Columbus  
Charles Robert Shumaker, Galion  
Thomas Jeffrey Singer, Cincinnati  
Dean Robert Sipe, Nevada  
Susan Beth Skripac, Lowellville  
Louis John Slosar, Solon  
Joseph Jerome Smith, New Lexington  
Henry Clifford Snider, Port Clinton  
Carol Ann Spillers, Covington  
Mark William Stamm, Archbold  
Clifford Allen Stokes, Bellefontaine  
Ronald Jay Stuckey, Archbold  
Patrick William Sullivan, London  
Rebecca Lou Trende,  
Columbia Station  
Mark Raymond Tressel, Lorain  
William Paul Varga, Jr., Columbus  
Steven Gary Vavra, Cuyahoga Falls  
Robert Lee Waers, Groveport  
Robert Elton Wallis, Convoy  
Barry Elliott Weisbecker, Okeana  
John Wayne White, Mt. Perry  
Wade Harry Wilhelm, Caststown  
Sherry Lynn Williams,  
Sheffield Village  
Jeffrey Dean Wilson, Kenton

Thomas Henry Wornoff, Chesterland  
Jay William Zachman, Cincinnati  
Patrick Samuel Zirayo, Jinji, Uganda

#### **Bachelor of Science in Food Science**

One candidate

Joanne Cheryl Hokes, Lakewood

#### **Bachelor of Science in Food Technology**

Three candidates

James Lee Gibson, Rockford  
\*Jacquelyn Ann Gould, Worthington  
Richard Alwin Gutheil, Lockbourne

#### **Bachelor of Science in Nutrition**

One candidate

Charles Vincent Wellmann, Lima

#### **School of Home Economics**

#### **Bachelor of Science in Home Economics**

Forty-eight candidates

Trudy Ann Adams, Fairborn  
Jennifer Dunbar Bennett, Columbus  
Judy Pifer Bidgood, Shelby  
Barbara Anne Boswell, Columbus  
Susan Marr Bowman, Wooster  
Cynthia Elaine Buck, Newark, Del.  
Brenda Elizabeth Campisi, Columbus  
Jill Heath Clark, Terre Haute  
Patricia Lee Clift, Perrysburg  
Linda Thompson Craig, Alexandria  
Judith Susan Davis,  
University Heights  
Diana Lynn Dickson, Worthington  
Edith Ann Divers, Wakeman  
Linda Jeanne Erb, Lima  
Cynthia Kraus Fisher, Medina  
Penny Shuler France, Cheshire

Constance Sue Gardner, Mansfield  
Linda Gayle Goebel, Cincinnati  
Patricia Ann Hanna, Bryan  
Diana Frances Jones, Pittsburgh, Pa.  
Deborah Makeever Kanable, Bucyrus  
Nancy Lynn Kick, Bay Village  
Lynn E. Koogler, Kettering  
Carol Lynn Kuch, Middlefield  
Rita Sue Leubitz, Akron  
Linda Gail Lewis, Gahanna  
LouAnn Fritz Limbird, Holgate  
Katherine Marie Mayer, Delphos  
Anita Meyer McBride, Pavonia  
Kathryn I. McCollister, Worthington  
Carol Ann McCutcheon, Dayton  
Gloria Jean Merritt, Toledo  
Ann Elizabeth Mileti, Amherst  
Carol Herschler Moore, Columbus  
Beverly Deon Morter, Tiffin  
Marie Moss, Poland  
Maureen Ann O'Connor, LaGrange  
Diane Kuhlwein Palmaccio,  
Washington C. H.

Cynthia Lou Perry, Columbus  
Jean Marie Reese, Gallipolis  
Nancy Anne Sabo, Clifton, N. J.  
Margaret Claire Shaffer, Columbus  
Kathryn Winzeler Skirtich, Columbus  
B.A. (Capital University)  
Ann Greig Spuller, Painesville  
Carol Frutschy Swank, Orient  
Diane Irene Van Such, Youngstown  
Shelley Anne Ward, Upper Arlington  
Elizabeth Ann Williams, Avon Lake

#### **Bachelor of Science in Nutrition**

One candidate

David Alan Bramer, Painesville  
B.S.Food Tech.

#### **School of Natural Resources**

#### **Bachelor of Science in Natural Resources**

Forty-four candidates

Bruce Frederick Andrews, Columbus  
Daniel McArthur Anstine, Columbus  
C. Randall Arment, Hamilton  
Ray-Jean Au, Mansfield  
Thomas Warren Bale, Galena

Andrew David Ball, Columbus  
Steven John Beard, Whitehall  
William George Binggeli,  
North Olmsted  
Lewis Neal Brady, Logan  
Donald Eugene Briggs, Canton  
David Lewis Clevenger, Lima  
Gary Thomas Davis, Girard  
William Clark Erickson, Hudson  
Barry Michael Evans, Columbus  
Dwight Alan Felkey, Bucyrus  
John Frederick Foreman, Columbus  
Pamela Elizabeth Foti, Columbus  
Richard Joseph Gales, Columbus  
Steven Allan Gray, Chillicothe  
Suzanne Marie Hartman, Columbus  
Stephen Frederick Joseph, Utica  
David John Kennedy, Olmsted Falls  
Michael Richard Krotz, Columbus  
B.A.

Christine Kasselmann Lightmas,  
Columbus

Rex Wolfe Long, Kettering  
Randall Jay Matlow,  
University Heights  
Alan Lee McCabe, Miamisburg  
Mark Gabriel McCaulla, Galena  
John Richard Nance, Woodstock  
Gerard Joseph Niday, Columbus  
Eric Randall Norland, Columbus  
David Robert Pintar, Wickliffe  
Neil Owen Purrett, Columbus  
Dana Alan Raines, Bexley  
Sarah Louise Reeb, Whitehouse  
Robert Edwin Rohrbaugh, Louisville  
Karen Kay Sarver, Columbus  
Frederick Grant Scoles, Bluffton  
\*\*Jeffrey Alan Smith, Coshocton  
Frederic Lee Snyder, Columbus  
Richard Layne VanFleet, Caldwell  
James Michael Veres, Parma  
Earl Clark Weber, Madison  
Steven Brand Wilson, Columbus

#### **Agricultural Technical Institute—Wooster**

#### **Associate of Applied Science Degree**

Nine candidates

Marian Ellen Coffey, Medina  
Richard Lee Decker, Newcomerstown  
Roger Lee Gloyd, Ashville

\* Also Master of Science, Graduate School  
\*\* Also Bachelor of Science in Education,  
College of Education

## College of Dentistry

Acting Dean: William R. Wallace

### Doctor of Dental Surgery

Six candidates

Stephen J. Clouse, Somerset  
B.S.

Gary Lee Coons, Cincinnati

John Ellis Craig, Andover  
B.S.

Herbert Joy Mills, Worthington  
B.S.

Jeffrey Martin Sherwood, Cincinnati

Mark Edward Yerman, Massillon  
B.S.

## College of Education

Dean: Frederick R. Cyphert

### Bachelor of Science in Education

Two hundred and thirty-nine candidates

Janet Rose Acerra, Girard  
Cert.Grad.Dent.Hyg.

Cindy Lee Agnew, Ashtabula  
Carolyn Talmadge Amsbaugh,  
Columbus

Kris Louise Anderson, Worthington  
Alicia Arnett, Lima

\*Brett Lawrence Baby, Worthington  
Daniel Nelson Baer, Wheelersburg

Garry A. Bahrich, Columbus  
B.A.

Bonnie Walton Baker, Newark  
Barbara Ann Baron, Lorain

Tom David Baskin, Cleveland  
Kristy Ann Bebout, Stockport

Cynthia Hufziger Beckley, Columbus  
Beverly Ann Beining, Ottawa

Terri Shepherd Bennett, Waverly  
Jeffrey Lee Bensman, Lima

Patricia Ryan Berry, Marion  
Sally Jeanine Besgrove,  
Milford Center

Susan Schoen Bickhart, Columbus  
Jeffrey Marvin Bloom, South Euclid

Barbara Ann Book, Upper Sandusky  
Gary Clifford Bowman, Brookville

Cindra Lynn Breese, Sylvania  
Jane Marie Bruns, Columbus

Susan Marie Bunn, Grover Hill  
Rita Ann Byrne, Columbus

Linda Sue Calloway, Marion  
Ann Lehan Carl, Portsmouth

Patricia Luema Chandler, Bucyrus  
Margaret Mary Chase, Toledo

Barbara Converse Cheney, Lima  
Marijo Ann Chill, Columbus

Debra Ann Clay, Toledo  
Jeffrey Lynn Coe, Columbus

Russell Terrence Colangelo, Columbus  
Kim Anne Collier, Lima

Samuel Robert Combs, Jr., Urbancrest  
Vicki Jo Conard, Columbus

Timothy Allan Connelly, Columbus  
Ruth Anne Conroy, Columbus

Ivan Jeffrey Corbin, Columbus  
Margaret Louise Cramblett,  
Coshocton

Donald Michael Croy, Kalida  
Jane Ann Custis, Sabina

Valli R. Davis, Columbus  
Claudia Brissell Deisler, Shelby

Thomas Denning DeLeone, Kent  
Linda Marie DeMatteis, Columbus

\* Also Bachelor of Arts. Colleges of  
the Arts and Sciences

Susan Corinne Dempsey, Columbus  
 Barbara Parlette Diebler, Galion  
 Janine Tippie Dorn, Lima  
 Linda Lou Moccabee Eader, Columbus  
 George Arthur Eberhart, Jr.,  
 Pittsburgh, Pa.  
 Cinda Henthorne Ebert, Cardington  
 Mary Arlene Eck, Dayton  
 Lisa Anne Edwards, Columbus  
 Paul Norman Edwards, Marion  
 Elizabeth Lynn Faron,  
 Piscataway, N. J.  
 Beverly Flowers Ferguson, Newark  
 Joanne Ferraro, Terryville, N. Y.  
 Deborah De Capita Finney, Columbus  
 Gerald Joseph Fisher, Bluffton  
 Thomas Edward Fletcher, Columbus  
 B.S.Bus.Adm.  
 Barbara Casey Flynn, Lima  
 Michael Brainard Foote, Cleveland  
 Linda Allen Fox, Columbus  
 Michele Kay Fox, Marion  
 Todd Wilson Fullerton, Martins Ferry  
 Barbara Linehan Garlock, Lima  
 Lynn Ann Gast, Anna  
 Susan Marie Gast, St. Henry  
 Grace Lucinda Gatto, Bellaire  
 Diane Lee Gerhardt, Grove City  
 Robert James Gerwig, Ashland  
 Dollene Lawrence Ghearing, Columbus  
 George Edward Gilbert, Marysville  
 William Ricardo Glenn, Columbus  
 Dede Robin Goldsmith, Akron  
 Lori Joan Goodof, Columbus  
 Ann Elizabeth Gray, Troy  
 Richard Wayne Greenway, Columbus  
 Donna Marie Grooms, Westerville  
 Stephen Edward Guroy, Westerville  
 Andrew Theodore Guroy, Willoughby  
 Hildred Seats Gwinn, Lima  
 Juanita Louise Haines, Greenfield  
 Susan Hawk Hall, Delaware  
 Gwen Lee Haller, Coshocton  
 Patricia Lavelle Hammett, Columbus  
 Steven Guy Hapanowicz,  
 Cuyahoga Falls  
 Kathleen Ann Harper, Columbus  
 Matthew Tewart Harris, Piqua  
 Kathryn Anderson Hartman,  
 Columbus  
 Mark Edwin Haselberger, Woodsfield  
 Jennae Stewart Hastings, Lima  
 Patricia Hosey Hayes, Columbus  
 Sandra Lynn Hefner, Cridersville  
 Donna Jean Hester, Trenton  
 Michael Edward Hill, Columbus  
 B.S. (Franklin University)  
 Randall Steven Hill, Columbus  
 Richard Thomas Hirschberg,  
 Columbus

Diane Anita Hoffman, Ferrysburg  
 Doris Flora Holderman, Reynoldsburg  
 Barbara Ann Holzapfel, Greenville  
 Carole Marple Houze, Columbus  
 Cheryl Lynn Huberty, Chagrin Falls  
 David Michael Huff, Ashland  
 June Amalia Hulsmeyer, London  
 Joanne Louise Hunter, Warren  
 Beth Elaine Hutchinson, Columbus  
 Dona Daubitz Irvin, Obetz  
 Larry Edward Irvin, Grove City  
 Gene Autry Johnson, Columbus  
 Terry Alan Johnson, Galion  
 Margaret Jean Kearney, Dayton  
 James Leroy Knowlton, Columbus  
 Victor Aloysius Koegel, Cincinnati  
 Susan Diane Kohler, Orrville  
 Andrea Klara Kool, Shaker Heights  
 Deborah Lynn Kormanik, Harberton  
 Lou Ann Kuenzli, Upper Sandusky  
 Deborah Shiff Kuhr, Columbus  
 Catherine Ellen Kuster,  
 Fairhaven, Vt.  
 Cert.Grad.Dent.Hyg.  
 Mary Margaret Leach, Stow  
 Michelle Kay Leach, Avon Lake  
 Doris Ann Lee, Woodsfield  
 Cert.Grad.Dent.Hyg.  
 Edward Leroy Lehnert, Gahanna  
 Linda Jean Lemak, Parma  
 Linda Lou Lesnick, Martins Ferry  
 Rebecca Richardson Levi, Columbus  
 Charles William Lindquist, Jr.,  
 Columbus  
 Earl Bernard Lisk, III, Columbus  
 Margaret Ann Lockwood, Lima  
 Jackie Diane Lohr, Nevada  
 Ronald Eugene Luellen, Columbus  
 Robert Arthur Mack, Trumbull, Conn.  
 Janice Susan Maliar, Parma Heights  
 Lois Hepp Marker, Wapakoneta  
 Alice Louise McCain, Columbus  
 Ralph Ernest McConnell, Kirkersville  
 George Edward McGuire, Mansfield  
 Thomas Ross McNeil, Wilmington  
 Lola Welch McPeck, Mansfield  
 Nancy Meckstroth, Columbus  
 Cert.Grad.Dent.Hyg.  
 \*Thomas Charles Melaney, Alliance  
 Mary Holdford Melvin, Worthington  
 Isaac Merkrebs, Cleveland Heights  
 Karen Falter Meyer, Lima  
 \*Duane Albert Miller, Brook Park  
 Steven Wayne Miller, Pandora  
 Teri Elizabeth Miller, Columbus  
 Audrey Darnell Minnis, Columbus  
 William Gloucester Mixer, III,  
 Grove City  
 Jack Anthony Monda, Ashtabula  
 Elizabeth Ann Moon, Circleville

Melanie Jo Moore, Columbus  
 Janet Sheatzley Morgan,  
 North Canton  
 Kathleen Ann Mounts, Prospect  
 Bonnie Ann Myers, Marion  
 Kim Alan Myers, Kipton  
 Diane Felice Navarre, Lima  
 Cert.Grad.Dent.Hyg.  
 Timothy James O'Donnell, Mansfield  
 Debbra Cornwell Ottney, Columbus  
 Howard Samuel Packer, Euclid  
 George Howard Pahl, Columbus  
 Neil Thomas Pauff, Lima  
 Paula Whiteford Paulson, Columbus  
 Vernon Rosendo Payne, Columbus  
 William David Peer, Columbus  
 Donald Patterson Pemberton,  
 Columbus  
 Patricia Anne Petsche, Avon  
 John Robert Pfeiffer, Columbus  
 Barbara Anne Pletz, Columbus  
 Carol Stamper Pollock, Van Wert  
 Lester Kirk Price, Bellefontaine  
 Rebecca Ann Pritts, North Canton  
 Virginia Lamanthia Raymond, Lima  
 Pamela Joyce Reed, Columbus  
 Michael Howard Reiser, Columbus  
 Nancy Leonora Rhinehart,  
 Steubenville  
 Cert.Grad.Dent.Hyg.  
 Esther Foust Richey, Prospect  
 Linda Kay Robison, Martinsburg  
 Mark Edwin Romich, Nevada  
 Barbara Linda Roth, Jericho, N. Y.  
 Amy Bilikam Ruggles, Delaware  
 Stanley Lee Sandersen, Van Wert  
 Sue Lynn Sandvick, Rocky River  
 Virginia Marie Scardina, Columbus  
 Nancy Sue Schiller, Columbus  
 Eileen Grote Schroeder, Fort Jennings  
 Pennirae Seibert, Washington, Pa.  
 Richard Keith Selvage, Columbus  
 Anna Fox Sertell, Mansfield  
 Luan Shehu Shaban, Mansfield  
 Marilyn Greve Shaw, Cridersville  
 Ellen Miller Shiplett, Zanesville  
 Vance Edwin Vaughan Simpkinson,  
 Columbus  
 \*\*Jeffrey Alan Smith, Coshocton  
 Hilary Ann Soller, Youngstown  
 Cert.Grad.Dent.Hyg.  
 Carole Jane Solomon, South Euclid  
 Karen Tychonievich Souch, Salem  
 Jean Ann Spade, Marion  
 Alice Gran Spiller, Marion

\* Also Bachelor of Arts, Colleges of the Arts and Sciences.

\*\* Also Bachelor of Science in Natural Resources, College of Agriculture and Home Economics



## College of Engineering

Dean: Harold A. Bolz

Robert Lloyd Sponaugle, Columbus  
Jo Lynne Spurbeck, Kettering  
Clarabelle Grosskopf Swarhout,  
Columbus

Marsha Ann Tackett, Marion  
Gerard Joseph Tankovich, Columbus  
Charles Fredd Ter Bush, Jr.,  
Elmhurst, Ill.

Patricia Ann Terry, Shelby  
Helen Dunahay Thomas, Elida  
Richard Colburn Tinlin, Columbus  
Virginia Bucklew Tinzmann,  
Columbus

Joyce Doepker Tracy, Lima  
Nancy Suzanne Tramonte, Wadsworth  
Gail Helen Truscott, Birmingham  
Stanley Eugene Valentine, Ashland  
Lee Michael Van Syckle, Worthington  
Paula Kay Veley, Caledonia  
Barbara Lee Vinings, Chillicothe  
Jonathan Edgar Warden, Jr.,  
Grove City

Phyllis Wareham Waugh, Columbus  
Wendy Wax, Pompano Beach, Fla.  
Nancy Sisterhen Weese, Columbus  
Joy Ann Weisent, Columbus  
Linda Marie Weiss, Potomac, Md.  
John Joseph Welsh, Ashland  
Gary Merle Wheeler, Newark  
Gary Bartholemew Whiffen,  
Lindenhurst, N. Y.

Richard Eugene Wierwille,  
Spencerville

Phyllis Ann Wilders, Powell  
Susan Browning Williams, Columbus  
Susan Kay Williams, Lima  
Mary Kathryn Winger, Mansfield  
Frederick Francis Wiswell, Paulding  
Jill Fletcher Wittkopf, Mansfield  
Colleen Ann Wulf, Alliance

Cert. Grad. Dent. Hyg.  
Donna Pierson Zink, Columbus  
Zuliha Zubchevich, Westerville  
B.A. (Otterbein College)

**Bachelor of Art Education and  
Bachelor of Music Education  
degree are offered jointly by the  
College of The Arts and the  
College of Education  
Candidates are listed on page 376**

### Bachelor of Science in Aeronautical and Astronautical Engineering

Six candidates

Ronald Lee Cook, Chattanooga, Tenn.  
Garry Eugene Delugach, Ravenna  
David Michael Masters, Ashtabula  
Jon Steven Ogg, Columbus  
Roger Allen Saul, Wauseon  
Anthony D. Straw, Ohio City

### Bachelor of Science in Agricultural Engineering

Three candidates

Steven Patrick Alpers, Findlay  
Ronald Harrison Armstrong,  
Perrysville  
James Ralph Davis, Chandlersville

### Bachelor of Science in Ceramic Engineering

Three candidates

David Edward Brooks, Cincinnati  
Randall Marvin Burt, Pomeroy  
Daniel Keith Nelson, Columbus

### Bachelor of Science in Chemical Engineering

One candidate

Simoni Papadimitriou, Columbus

### Civil Engineer

Two candidates

Manjeet Singh Basi, New Delhi, India  
B.E. (Bangalore University)  
Jeffrey Alan Tarbutton, Worthington  
B.S.C.E.

### Bachelor of Science in Civil Engineering

Nineteen candidates

Thomas Dee Ashton, Columbus  
B.A.  
Howard Bert Bumgarner, Columbus  
B.S.E.E.  
Steven Kenneth Dick, Springfield  
Lester Dale Fischer, Cincinnati  
Walter Sterling Folk, Columbus  
Allan Frost, Columbus  
Richard Loraine Hertzner, Bucyrus  
Bruce Alan Lindemuth, Columbus

Benjamin Luther Lucas, Jr.,  
Columbus  
Michael Gene Moffitt, Columbus  
Timothy Wynne Morehead,  
Wadsworth  
William Elwood Mullett, Columbus  
Ali Mustafa, Asanya, Cyprus  
Michael Ryan O'Connor,  
Wright-Patterson A.F.B.  
Shawkat Nizar Raslan,  
Beirut, Lebanon  
Judith Lynn Roe, Columbus  
James Ditlow Schroll,  
West Orange, N. J.  
Rudolf Suhendra,  
Djakarta, Indonesia  
Lee Alan Sutkus, Toledo

### Bachelor of Science in Computer and Information Science

Eleven candidates

William Edward Barnhill, Westerville  
Michael Lynn Fischer, Columbus  
Mark Steven Friedman, Columbus  
Michael Dane Gallagher, Chillicothe  
Donald Frederick Honkala,  
Westerville  
Paul Howard Jones, Mt. Victory  
Larry Lee Lautzenheiser, Minerva  
Kenneth Richard Radigan, Brecksville  
Richard Bedford Ridenour, Columbus  
Marvin Eugene Shaner, Columbus  
Grayum Andrew Watts, Galloway

### Electrical Engineer

One candidate

Tomintat Marx,  
Mexico, D. F., Mexico  
B.E.E.

### Bachelor of Science in Electrical Engineering

Fifteen candidates

George Allen, III, Columbus  
Amir Mohammad Aminolashrafi,  
Tabriz, Iran  
John Kurt Eckl, Parma  
Robert L. Goelz, II, Columbus  
Fredrick Clyde Heizer,  
West Mansfield  
Antonio Ithier, Lorain  
Jeffrey Alan Jackson, Columbus  
Jack Cutler Larsen, Berea  
Lloyd Edwin Lutz, Jr., Sidney  
Harry Harold Porter, Westerville

William Artman Riski, Wickliffe  
Richard MacIntosh Sturgeon,  
Washington, Pa.  
Cedric Kuen-Yuen Sze,  
Kowloon, Hong-Kong  
George Scranton Walker, Columbus  
James Orville White, Columbus

**Bachelor of Science in  
Engineering Physics**

One candidate

\*Rikesh Lal Ghai, Cincinnati

**Bachelor of Science in  
Industrial and Systems Engineering**

Two candidates

DeWitt Alan Baum, Delta  
Gregory Edwin McKain, Harrison

**Bachelor of Science in  
Mechanical Engineering**

Seventeen candidates

Berhane Alazar, Columbus  
Stephen Charles Blowers, Gallipolis  
Robert Allen Bond, Columbus  
Larry Lee Dunn, Columbus  
Thomas Alan Gentry, Springfield  
\*\*Rikesh Lal Ghai, Cincinnati  
Clifford Warren Goldstein,  
University Heights  
Morteza Hosseini, Tehran, Iran  
Mark Alan Houser, Xenia  
Warren Edward Kelm, Lisbon  
Hisham Mustafa Knio,  
Beirut, Lebanon  
James Lee Lawrence, Rockford  
Craig Siegrist Mandish, Westerville  
David Andrew Ramsey, Cincinnati  
Mehdi Razavi-Toosi, Columbus  
Richard William Sabo,  
Middleburg Heights  
Richard Steve Schwab, Powell

**Bachelor of Science in  
Welding Engineering**

Five candidates

Dan Robert George, Lebanon  
Larry Alan Kirkbride, Duncan Falls  
Gregory Ray Swank, Navarre  
James Frederick Swatzel, Pomeroy  
Carl Eugene Walter, Columbus

**School of Architecture**

**Bachelor of Science in Architecture**

Two candidates

Roger Dean McLoney, Carrollton  
Jeffrey Allen Stenzel, Fairview Park

**College of Medicine**

Dean: Henry G. Cramblett, M.D.

**Doctor of Medicine**

Four candidates

Robert John Clements, Columbus  
B.S.

Richard Nick Fogoros, Poland  
B.A. (Duke University)

Gregory James Gosky, Lakewood  
B.S. (Aquinas College)

Elizabeth Kamenar, Barberton  
B.A. (Case Western Reserve  
University)

**School of Allied  
Medical Professions**

**Bachelor of Science in  
Allied Health Professions**

Four candidates

Michael Darby Downey, Buffalo, N. Y.  
Wendy Ruth Perry, Youngstown  
Mary Ellen Rausch, Dover  
Susan Patricia Swartz, Lyndhurst

**Certificate of Nurse Anesthetist**

Four candidates

Sheila Moloney Biris, Marion  
R.N. (Riverside School of Nursing)  
Steven Eugene Linn, Grove City  
A.D. (Purdue University)  
Susan Elaine Morgan, Portsmouth  
B.S. Nurs.  
Beverly Baker Wynn, Elkhart, Ind.  
R.N. (Methodist Hospital of  
Indianapolis, School of Nursing)

**Certificate of Post Baccalaureate  
Circulation Technologist**

Five candidates

Nancy Lee Achorn, Los Altos, Calif.  
B.A. (Pomona College)  
Julia Ann Elenbaas, Clyde  
B.S. (University of Toledo)

\* Also Bachelor of Science in Mechanical  
Engineering, College of Engineering  
\*\* Also Bachelor of Science in Engineering  
Physics, College of Engineering

Richard Lewis Rigatti, Jr., Columbus  
B.S.  
David Jon Sirkoski, Columbus  
B.S.  
Timothy James Thieroff, Columbus  
B.S.

### School of Nursing

#### Bachelor of Science in Nursing

Thirty-nine candidates

Mary Elizabeth Adams,  
Shaker Heights  
Rose Elizabeth Barry, Marysville  
R.N. (Community Hospital of  
Springfield, School of Nursing)  
Victor Gene Campbell, Galion  
Christina Lynn Cimminello, Columbus  
Deborah Petit Dannemiller, Rittman  
Paul Sanford Ehrlich, Columbus  
Gary Myron Gibson, Fairborn  
B.S.  
Maureen Joanne Hartle, Wilmington  
Nancy Ann Hayes, Columbus  
Virginia Lynn Hettel, Bellevue  
Cynthia J. Howard, Marion  
Christine Ann Kennedy, Mt. Vernon  
Carol Mandell King, Newark  
Joan Lynn Laudig, Pittsburgh, Pa.  
R.N. (Louise Suydam McLintic  
Hospital, School of Nursing)  
Jean Jewell Lavine, Fairborn  
R.N. (Bethesda Hospital, School of  
Nursing)  
Janice Lynn Lazear, Columbus  
Judith Huckleby Lewis, Columbus  
Patricia Ann McDonough, Crestline  
R.N. (Mercy Hospital, School of  
Nursing)  
Kim Ileana Mergler, Dayton  
Judith Ann Meyer, Delaware  
Jeri Ann Boylan Milstead, Newark  
R.N. (Mount Carmel Hospital,  
School of Nursing)  
Catherine Lindemuth Morrison,  
Columbus  
R.N. (Altoona Hospital, School of  
Nursing)  
Mary Ann Newhouse, Wooster  
Christine Gail Oliver, Bay Village  
Mary Elizabeth Rausch, Columbus  
Martha Clarke Richey, Worthington  
Joan Buffington Roach, Columbus

Joan Langenderfer Roberts, Columbus  
Jane Ellis Scroggins, Cincinnati  
Beverly Gallaway Skiles, Mansfield  
R.N. (Mansfield General Hospital,  
School of Nursing)  
Pamela Powell Skinner, Mansfield  
Victoria Valentine Snow, Chillicothe  
Susan Elizabeth Spangler,  
Arlington, Va.  
B.A.  
Carol Steritz Stinson, Lynchburg  
Carol Jane Supance, Willowick  
Karen Albright Thomas, Columbus  
R.N. (Riverside-Whitecross  
Hospital, School of Nursing)  
Maureen O'Conner Weber, Columbus  
B.S. (University of Cincinnati)  
Margaret Helen Welsh, Eastlake  
Ann Woeste Winterland, Centerville

## Graduates With Honors

### Summa cum laude

Garry A. Bahrich, Columbus  
Richard Frederick Bentley, Ironton  
Theodore Robert Bobosh, Warren  
Brian Robert Cadnum, Hinckley  
Christina Lynn Ciminello, Columbus  
Debra Ann Clay, Toledo  
Bradford George Colegate, Harrison  
Cinda Henthorne Ebert, Cardington  
Richard Samuel Fields, Mantua  
Lynn Ann Gast, Anna  
Thomas Alan Gentry, Springfield  
Janet Diann Gibson, Columbus  
Donna Marie Grooms, Westerville  
Stephen Edward Gunn, Westerville  
Gwen Lee Haller, Coshocton  
Ruby Ann Halper, Piscataway, N. J.  
John Herbert Henricks, Chillicothe  
Kathy Ann Hildebrand, Avon  
Bruce Leroy Ingram,  
Mt. Pleasant, Mich.  
Joanne Marie Kick, Loudonville  
Ronald Paul Koegler, Columbus  
Deborah Lynn Kormanik, Barberton  
Lou Ann Kuenzli, Upper Sandusky  
Doris Ann Lee, Woodsfield  
Christine Kasselmann Lightmas,  
Columbus  
Bruce Alan Lindemuth, Columbus  
Janice Susan Maliar, Parma Heights  
Elynor Ann Matkins, Dayton  
Margaret Elien McCoy, Columbus  
Karen Falter Meyer, Lima  
Barbara Jean Newshutz, Columbus  
Joyce Ann Parman, Medina  
Carol Stamper Pollock, Van Wert  
Rebecca Ann Pritts, North Canton  
Linda Kay Robison, Martinsburg  
Judith Lynn Roe, Columbus  
Eileen Grote Schroeder,  
Fort Jennings  
Ellen Miller Shiplett, Zanesville  
Bruce Wayne Smith, Wellston  
Carole Jean Solomon, South Euclid  
Press Clay Southworth, III, Columbus  
Carol Steritz Stinson, Lynchburg  
Rudolf Suhendra,  
Djakarta, Indonesia  
Gail Helen Truscott, Birmingham  
Carl Eugene Walter, Columbus  
Maureen O'Conner Weber, Columbus  
Charles Vincent Wellmann, Lima  
Jill Fletcher Wittkopf, Mansfield  
Colleen Ann Wulf, Alliance  
Celia Gay Wright, Orient

### Summa cum laude and with Distinction in American History

Donna Gail Rosenstein, South Euclid

### Summa cum laude and with Distinction in Food Technology

Jacquelyn Ann Gould, Worthington

### Summa cum laude and with Distinction in Linguistics

Susan Carol Shepherd, Mansfield

### Cum laude

Bonnie Walton Baker, Newark  
Andrew David Ball, Columbus  
Debra Joanne Barber, Mansfield  
James David Beach, Dayton  
Robert Allen Bond, Columbus  
Gary Clifford Bowman, Brookville  
Janell Fairfax Boyd, Columbus  
Cindra Lynn Brees, Sylvania  
James Raymond Buehler, Columbus  
Susan Marie Bunn, Grover Hill  
Barbara Anne Carman, Germantown  
David Howard Cox, Whitehall  
William Charles Curley, Cincinnati  
Curtis Clayton Czarniak, Lusby, Md.  
James Ralph Davis, Chandlersville  
Stephen John Dicke, Kettering  
Paul Norman Edwards, Marion  
Ronald Dean Elliott, West Mansfield  
Richard Lew Finke, Rushville  
Lester Dale Fischer, Cincinnati  
Gerald Joseph Fisher, Bluffton  
Pamela Elizabeth Foti, Columbus  
Penny Shuler France, Cheshire  
Joel Evan Goodnough, Kettering  
Linda Pinkerton Griffin, Bay Village  
Barbara Ann Holzapfel, Greenville  
Randolph Miller Horn, Lyndhurst  
Cheryl Lynn Huberty, Chagrin Falls  
Richard Eugene Hybiak,  
Park Ridge, Ill.  
Kathleen Ann Jezierski, Northfield  
Karen Marie Justice, Canfield  
Christine Ann Kennedy, Mt. Vernon  
Richard Marie Kerka, Brooklyn  
David William Kidd, Brunswick  
Cynthia Vandenberg Lando,  
Blue Jay, Calif.  
Jack Cutler Larsen, Berea  
Jean Jewell Lavine, Fairborn  
Rebecca Richardson Levi, Columbus  
David Kim Millon, Cambridge, Mass.  
Jeri Ann Boylan Milstead, Newark

Joanne Kelley Montague, Cincinnati  
Janet Sheatzley Morgan,  
North Canton  
Catherine Lindemuth Morrison,  
Columbus  
Paula Whiteford Paulson, Columbus  
Timothy Keith Perttula,  
Shaker Heights  
Frank Michael Placenti, Columbus  
Joanna Mogan Porreca, Columbus  
Harry Harold Porter, Westerville  
Richard Bedford Ridenour, Columbus  
Sherrei Ann Rieger, Dover  
William Artman Riski, Wickliffe  
Joan Langenderfer Roberts, Columbus  
Amy Billikam Ruggles, Delaware  
Marilyn Jean Saks,  
University Heights  
Beverly Galloway Skiles, Mansfield  
Kathryn Winzeler Skirtich, Columbus  
Charles Allen Stemple, Miamisburg  
Judith Marie Stitts, Cleveland  
Holly Elizabeth Stump, Euclid  
Patrick Hayden Sullivan, Dayton  
Karen Albright Thomas, Columbus  
Ann Wengler Thompson, Oxford  
Denise Kay Van Horn, Canton  
Paula Kay Veley, Caledonia  
Freida Shanfield Villepontoux,  
Princeton, N. J.  
Kurt Joseph Von Boeselager,  
Cincinnati  
George Scranton Walker, Columbus  
Elizabeth Ann Williams, Avon Lake  
Sherry Lynn Williams,  
Sheffield Village  
Matthew C. Wilson, South Point  
Ann Woeste Winterland, Centerville  
Thomas Henry Wormoff, Chesterland  
Patricia Chee-Fang Yeung,  
Cincinnati  
Derk Arnold Young, Kettering  
Jay William Zachman, Cincinnati

### Cum laude and with Distinction in Agricultural Education

Thomas Eugene Daiber, Nevada

### Cum laude and with Distinction in Biochemistry

Steven Roger Wanemaker, Findlay

### Cum laude and with Distinction in Dairy Science

Sue Ann Bland, Amsterdam

**Cum laude and with Distinction in  
Food Technology**

James Lee Gibson, Rockford

**Cum laude and with Distinction in  
German**

Joan Catherine Adams, Columbus

**With Distinction in Biochemistry**

William J. Brown, Findlay

**With Distinction in Comparative  
Literature**

Diane E. Marting,  
West Palm Beach, Fla.

**With Distinction in Dairy Science**

Timothy Matthew Matlock, Mantua

**With Distinction in History**

Michael J. Bumb, Mansfield  
Joseph Miles Gibson, Columbus

**With Distinction in Journalism**

Marilyn E. Durbin, Columbus

**With Distinction in Political Science**

Richard Medley, Columbus

Page 390 Blank

Page 391 Blank

Page 392 Blank



THE OHIO STATE UNIVERSITY  
OFFICIAL PROCEEDINGS OF THE  
ONE THOUSAND ONE HUNDRED AND FIFTH MEETING  
OF THE BOARD OF TRUSTEES

Newark, Ohio, March 7, 1975

The Board of Trustees met at its regular monthly meeting on Friday, March 7, 1975, at The Ohio State University Newark Regional Campus, Newark, Ohio, pursuant to adjournment.

Present: William C. Safford, Chairman, Don M. Hilliker, John H. Dunlap, M. Merle Harrod, Howard D. Sirak, Patricia D. James, Chester Devenow, and Warren J Smith.

\* \* \*

Minutes of the last meeting were approved.

\* \* \*

March 7, 1975 meeting, Board of Trustees

---

Mr. Safford stated that at the Board meeting last month a presentation was made by Mr. Timothy Collins on behalf of the Society of Professional Journalists/Sigma Delta Chi and Women in Communications, Inc., in which a number of questions were raised relating to the decision-making processes of this Board. He called on the Secretary, Dr. Moulton, to read the letter in response to this inquiry.

March 7, 1975

C  
O  
P  
Y

Mr. Charles Durfey  
Ms. Carol Stoff  
1660 Shanley Drive #6  
Columbus, Ohio 43224

Dear Mr. Durfey and Ms. Stoff:

I am writing in response to your letter of February 7, 1975, which was directed to the Board of Trustees requesting clarification of the Board's operating procedures.

No official action is taken by this Board at other than its regularly or specially scheduled public meetings. While the possibility of meeting in executive sessions is available to this Board under Ohio Law (see case notes under Ohio Revised Code 121.22); the Board has chosen rather to rely on a comprehensive committee structure through which topics and agenda items are studied and reviewed. However, no action is taken by these committees other than to recommend, not recommend, or to refer to the Board without a recommendation various items for its consideration.

As Chairman I established four such committees and announced their membership at a regular meeting of this Board in July. The Committees are: Finance and Investments, Educational Affairs, Buildings and Grounds, and Insurance and Retirement. There are four trustees on the Finance and Investments and Educational Affairs Committees, three on the Buildings and Grounds Committee, and two on the Insurance Committee. These committees usually meet at least once a month with the exception of the Insurance Committee which meets generally less frequently. As a standing policy of this Board all members of the Board are invited and welcome to attend all committee meetings of the Board. These meetings have not been open to the public or publicly announced to enable the trustees to review fully such items as personnel selection and evaluation, endowment transactions, and legal actions.

The Board conducts no business between Board meetings; however, the President as the chief executive officer of the University is responsible for the entire administration of the University subject to the control of the Board of Trustees. Thus a continuity of authority is maintained.

March 7, 1975 meeting, Board of Trustees

Mr. Charles Durfey  
Ms. Carol Stoff

2

March 7, 1975

I trust this is responsive to the questions which were raised and assists in the development of a better understanding of the operating procedures of this Board.

Cordially,

(Signed)

William C. Safford, Chairman

WCS/kah

cc: President Harold L. Enarson  
Members of the Board

Upon motion of Mr. Harrod, seconded by Mr. Hilliker, the Board of Trustees approved by unanimous roll call vote, the letter as read by the Secretary of the Board in answer to the questions posed at the last meeting by Mr. Durfey and Miss Carol Stoff.

---

Mr. Devenow then made the following statement:

I would like to bring before the Board two matters which I think need addressing and consideration by the Board. They relate to (1) the fact that there has been criticism that we pre-cast decisions and that releases are made to the press prior to meetings which indicate that this is nothing more than a rubber-stamp Board. In my opinion nothing could be more erroneous and contrary to the facts. And, therefore, I would support any recommendation to change that rule.

The second matter, Mr. Chairman, relates to the letter and also to some statements which indicate that executive sessions are held in which decisions are made prior to public hearings. Again nothing could be more contrary to the facts. I think there is a need for clarification by the Board of this procedure. Fact-finding and discussion are essential and relevant to conducting our business. Decision-making in turn is made publicly by this Board. It is necessary and it is useful for us to discuss fully all the facts, to examine all the implications of a decision. This is a vast University--there are a great many complex problems and for us to sit in a public hearing and make a decision without first discussing and having fact-finding sessions would be absurd.

Mr. Safford then made the following announcement:

Now as to news releases which have been provided heretofore; they've been developed for the benefit of the news media. However, in view of the objection which has been raised, we are going to do away with them. As of today, there will be no releases. If the news media wants any information, they can get it at the meeting of the Board. If there is no objection, then let us proceed with the meeting of the Board.

---

President Enarson expressed the appreciation and pleasure of the Board to be meeting on one of the five campuses of The Ohio State University. He indicated that later in the proceedings the Board would have an opportunity to meet a number of the people, particularly the people who serve on the Advisory Councils.

---

RESOLUTION IN MEMORIAM

President Enarson reported to the Board the death of Adolph E. Waller, Professor Emeritus in the Department of Botany. In accordance with the instructions of the Board of Trustees, copies of the following resolution expressing on behalf of the University the sorrow and sympathy of the Board will be furnished the family of the deceased.

A. Adolph E. Waller

The Board of Trustees of The Ohio State University expresses its sorrow at the death on January 28, 1975, of Adolph E. Waller, Professor Emeritus in the Department of Botany.

Dr. Waller was born in Louisville, Kentucky, on August 24, 1892. He was educated at the Louisville Male High School where he graduated in 1911. In 1915 he received a bachelor's degree in agriculture from the University of Kentucky. He entered The Ohio State University in 1915 to pursue his graduate education in agriculture, soon transferring to botany, and received his M.S. and Ph.D. degrees in 1916 and 1918, respectively. While in graduate school, Dr. Waller participated as both a Scholar in Botany and University Fellow under the direction of Professor Transeau.

Dr. Waller was employed initially as an Assistant Agronomist in 1916 and later moved to the rank of Associate Professor of Botany and Plant Pathology. He served in this capacity and as Curator of the Botanical Garden until 1963 when he retired. He was a Visiting Instructor at the Royal Botanical Gardens, Kew, and at several American institutions.

His membership in professional societies included the Botanical Society of America, American Association for the Advancement of Science, Association of American Geographers, American Genetics Association, History of Science Society, Society of the Sigma Xi, Gamma Alpha, Ohio Academy of Science, and Ecological Society of America where he served for a time as Associate Editor of Ecology.

Dr. Waller was best known for his research on crop ecology and genetic and physiological responses of cultivated plants. He also published extensively on the life and writings of early Ohio botanists.

On behalf of the University, the Board of Trustees expresses to the family its deep sympathy and sense of understanding in its loss. It was directed that this resolution be inscribed upon the minutes of the Board of Trustees and that a copy be tendered to the family as a humble expression of the Board's heartfelt sympathy in its bereavement.

\*

\*

\*

March 7, 1975 meeting, Board of Trustees

President Enarson presented the following recommendations:

I. GENERAL RECOMMENDATIONS

A. Establishment of Departments Within  
the School of Architecture

At the meeting held February 11, 1975, the University Senate approved the departmentalization of the School of Architecture as previously approved by the Council on Academic Affairs.

Architecture was originally organized as a department at this University in 1906. In 1950, it was reorganized as the School of Architecture and Landscape Architecture. A graduate program in City and Regional Planning was added to the School in 1956 and the Master of City Planning degree was authorized in 1958.

It is now being proposed because of the rapid enrollment growth being experienced in recent years to organize the School into three departments-- Department of Architecture, Department of Landscape Architecture, and Department of City and Regional Planning--to achieve greater academic effectiveness as well as greater administrative efficiency. This change is to be effective July 1, 1975.

B. Establishment of Departments Within  
the School of Home Economics

At the meeting held February 11, 1975, the University Senate approved the departmentalization of the School of Home Economics as previously approved by the Council on Academic Affairs.

The School of Home Economics has been operating under an internal divisional status as a step toward departmental status since 1968. The College Executive Committee is now requesting approval for the establishment of these five divisions into departments in the belief that the future growth and development of the School can be fostered more effectively under the aegis of departmental status. The five departments being proposed are: Department of Family Relations and Human Development; Department of Home Economics Education; Department of Home Management and Housing; Department of Human Nutrition and Food Management; and Department of Textiles and Clothing. This change is to be effective July 1, 1975.

C. Emendation of Rules 28.19 and 29.2727  
of Rules for the University Faculty

At the University Senate meeting on February 11, 1975, the revision of Rules 28.19 and 29.2727 of Rules for the University Faculty was approved, with the changes to be effective immediately.

March 7, 1975 meeting, Board of Trustees

I. GENERAL RECOMMENDATIONS (continued)

C. Emendation of Rules 28.19 and 29.2727  
of Rules for the University Faculty (continued)

The changes made were as follows:

Rule 28.19--Deletes the responsibility of the Committee on Rules and Senate Organization for submitting a formal report at the end of two years containing its conclusions and specific proposals.

Rule 29.2727--Changes the procedure for electing candidates for Honorary Degrees so that it is accomplished by mail rather than at a Senate meeting.

President Enarson recommended that the proposals from the University Senate for the establishment of Departments within the Schools of Architecture and Home Economics and the changes in the Rules for the University Faculty be approved by the Board of Trustees.

Upon motion of Mr. Harrod, seconded by Mr. Hilliker, the Board of Trustees approved the foregoing recommendation by unanimous voice vote.

D. Naming of Building

President Enarson recommended that the proposal made by the Director of this University's Agricultural Extension Program that the building presently known as the Southeast Ohio Area Extension Center in Noble County be named "Belle Valley Area Extension Center."

This recommendation is in accordance with the Bylaws of the Board of Trustees.

Upon motion of Mr. Dunlap, seconded by Mr. Smith, the Board of Trustees approved the above recommendation by unanimous voice vote.

E. Residence Halls Room and Board Rates and  
Rentals for North Campus Apartments

President Enarson made the following statement:

We continue to make every reasonable effort to hold down the costs in spite of the dramatic increases which we continue to experience. These increases have been particularly acute during this past year in our Residence and Dining Halls. Labor and food costs have continued to rise at a substantial rate. We anticipate that by the end of the next fiscal year utility costs will have doubled in a three-year period.

Rules for the University Faculty

28.19. Committees.

3. Committee on Rules and Senate Organization

- d. The Committee shall review the structure and operation of the University Senate. It shall receive suggestions and initiate recommendations for change, as need and advantage may appear. The Committee shall have continuing responsibility for assessing the structure, operation, and effectiveness of the Senate, without, however, in any way restricting the Senate's authority to alter its operation by other means.

- o -

29.2727. Committee on Honorary Degrees.

Section 2. (e) to keep all deliberations and votes confidential except where publication is necessary for official purposes.

Section 3. The nominations report of the Committee on Honorary Degrees shall be distributed to all members of the University Senate. The report shall be accompanied by full details concerning the qualifications of each candidate proposed, and the name of the sponsoring Department or academic unit. A ballot shall be included with the Committee report. The ballots shall be returned to the Secretary of the University Senate within a time prescribed in the Committee report, but in no case less than two weeks from the date that the Committee report is distributed. The Secretary shall transmit to the President the nominations, together with the appropriate sections of the report from the Committee on Honorary Degrees, for those candidates who are endorsed by a majority of the ballots cast by the Members of the University Senate.

- o -

March 7, 1975 meeting, Board of Trustees

I. GENERAL RECOMMENDATIONS (continued)

E. Residence Halls Room and Board Rates and Rentals for North Campus Apartments (continued)

President Enarson's statement (continued)

In an effort to offset some of these costs and at the same time provide resident facilities which are conducive to the educational and social development of our students, numerous efficiencies and economies have been implemented both in the personnel and the operating budgets. Through these efforts we have been able to limit the increases which must be passed on to the students utilizing these services. In spite of these efforts, however, I regret to say it is necessary to recommend that the basic room rates for this coming year be increased: for the undergraduate dorms an increase of \$30 per quarter, bringing the rate to \$488 per quarter which represents a 6.6 per cent increase in cost; graduate and professional housing increases range from 2.5 per cent to 8.0 per cent; in apartment housing from 1.6 per cent to 9.7 per cent; and for Stadium Scholarship Dormitory an increase of \$30 per quarter which is the same as undergraduate halls.

President Enarson recommended that the rate structures which are attached for the Residence and Dining Halls and the North Campus Apartments be adopted.

Upon motion of Mr. Devenow, seconded by Mr. Hilliker, the Board of Trustees approved the foregoing recommendation by unanimous roll call vote.

\*

\*

\*

II. PERSONNEL ACTIONS

Personnel actions since the February 7, 1975 meeting of the Board, as recorded in the official "Salary Roll" of the University, include the following Appointments, Retirement, and Leaves of Absence Without Salary:

A. Appointments

Robert D. Cottrell from Professor and Acting Chairman, Department of Romance Languages and Literatures, to Professor and Chairman, Department of Romance Languages and Literatures, effective April 1, 1975, at a salary of \$28,248 per annum. (Three quarters)



RESIDENCE AND DINING HALLS  
Rates for 1975-1976  
(Effective Summer Quarter 1975)

	Room Option	Meals Plan	Current Rates		Proposed Rates		Increase	
			Annual	Qtr.	Annual	Qtr.	Annual	Qtr.
Undergraduate								
Room & Meals	Multiple	20 per week	\$1,374	\$458	\$1,464	\$488	\$ 90	\$30
	Single	20 per week	1,509	503	1,599	533	90	30
Room Only	Multiple	No Meals	855	285	897	299	42	14
	Single	No Meals	990	330	1,032	344	42	14
Meals Only		20 per week	780	260	798	266	18	6
Stadium	Multiple	20 per week	708	236	798	266	90	30
Jones	Single	No Meals	940	235	980	245	40	10
	Double	No Meals	808	202	828	207	20	5
	Double as Single	No Meals	1,044	261	1,124	281	80	20
Morrison	Single	No Meals	888	222	952	238	64	16
	Double	No Meals	768	192	812	203	44	11
	Double as Single	No Meals	1,000	250	1,080	270	80	20
Neil	Efficiency	No Meals	1,116	279	1,152	288	36	9
	One Bed for 2	No Meals	756	189	792	198	36	9
	One Bed for 1	No Meals	1,476	369	1,584	396	108	27
	Two Bed for 2	No Meals	1,116	279	1,224	306	108	27
	Two Bed for 3:							
	Single	No Meals	1,116	279	1,152	288	36	9
	Double	No Meals	756	189	792	198	36	9
			Annual	Month	Annual	Month	Annual	Month
Buckeye Village*	One Bedroom	No Meals	\$1,200	\$100	\$1,224	\$102	\$ 24	\$ 2
	Two Bedroom	No Meals	1,512	126	1,536	128	24	2

\*Effective July 1, 1975

NORTH CAMPUS APARTMENTS  
 Rates for 1975-1976  
 (Effective July 1, 1975)

	Present Rate	Proposed Rate	
		Single Occupancy	Double Occupancy
<u>Lane Manor, 330 West Lane Avenue</u>			
One-Bedroom Apartments			
42 Upper-Floor Apartments	\$ 92	\$102	\$112
8 Basement Apartments	73	80	90
<u>Neilwood Gables, 2080 Neil Avenue</u>			
Efficiency Apartments			
32 Inside Apartments	90	100	110
24 Outside Apartments	96	106	116
<u>North Campus Apartments, 105-133</u>			
<u>West Lane Avenue</u>			
16 One-Bedroom Apartments	92	102	112
8 Two-Bedroom Apartments	103	115	125

March 7, 1975 meeting, Board of Trustees

II. PERSONNEL ACTIONS (continued)

A. Appointments (continued)

John Rayner from Professor, Department of Geography, to Professor and Chairman, Department of Geography, effective September 16, 1975, at a salary of \$27,528 per annum. (Three quarters)

Paul G. Shewmon, Professor (Battelle Professor of Metallurgy), Department of Metallurgical Engineering, effective September 1, 1975 through December 31, 1975, and Professor and Chairman, Department of Metallurgical Engineering, effective January 1, 1976, at a salary of \$36,168 per annum. (Twelve months)

B. Retirement

O. Lee Rigsby will retire as Dean of the College of The Arts and Professor in the School of Music, effective September 30, 1975.

C. Leaves of Absence Without Salary

Bogdan M. Baishanski, Professor, Department of Mathematics, effective January 1, 1975 through September 30, 1975, to serve as a Visiting Professor at the University of Florida, Gainesville, Florida.

Robert H. Miller, Professor, Department of Agronomy, effective February 1, 1975 through June 30, 1975, to accept a Fulbright-Hayes Lectureship in Soil and Chemical Microbiology at the University of Ankara, Department of Agricultural Microbiology, Ankara, Turkey.

Wayne L. Bacon, Associate Professor, Department of Poultry Science, effective April 1, 1975 through June 30, 1975, to do research at the Station de Recherches Avicoles, Nouzilly, France.

Therese M. Bonin, Assistant Professor, Department of Romance Languages and Literatures, effective October 1, 1975 through September 30, 1976, for personal reasons.

President Enarson recommended that the Appointments, Retirement, Leaves of Absence Without Salary, and personnel budget actions as recorded in the "Salary Roll" of the University be approved.

Upon motion of Mr. Dunlap, seconded by Mrs. James, the Board of Trustees approved the foregoing recommendation by unanimous roll call vote.

\*

\*

\*

March 7, 1975 meeting, Board of Trustees

III. REPORT OF RESEARCH CONTRACTS, GRANTS, GIFTS, AND AGREEMENTS

President Enarson recommended that the following contracts and grants negotiated and monies received for the month of January 1975 be accepted:

Summary for January 1975

	No. of Projects	Support Level
Office of Business and Administration	9	\$ 311,064.00
The Ohio State University Research Foundation	49	2,319,843.28
The Engineering Experiment Station	7	<u>110,318.00</u>
		\$2,741,225.28
	(Donors)	
The Ohio State University Development Fund	1,770	\$ 361,041.38

A detailed listing of the items in each section is shown on the following pages.

Upon motion of Mr. Hilliker, seconded by Dr. Sirak, the research agreements between The Ohio State University and The Ohio State University Research Foundation for the contracts and grants reported herein, and the acceptance of the report from the Office of Business and Administration and The Ohio State University Development Fund, including the establishment of named funds, were approved by unanimous voice vote.

III. REPORT OF RESEARCH CONTRACTS, GRANTS, GIFTS, AND AGREEMENTS  
(continued)

A. Office of Business and Administration

1. Federal Contracts/Grants

- a. \$26,819.00 from National Science Foundation, Washington, D. C., for Short Course in Junior High School Science and Mathematics Curriculum, under the direction of Academic Faculty of Science-Mathematics Education, for period January 15, 1975 through September 30, 1975. (Proposal/Grant No. PES75-02234)
- b. \$26,238.00 from National Science Foundation, Washington, D. C., for Junior High School Curriculum for College Science and Mathematics Educators, under the direction of Academic Faculty of Science-Mathematics Education, for period January 15, 1975 through October 15, 1975. (Proposal/Grant No. PES75-02233)
- c. \$24,682.00 from National Science Foundation, Washington, D. C., for a Pre-College Instructional Improvement Implementation Project, under the direction of Academic Faculty of Early and Middle Childhood Education, for period January 15, 1975 through September 30, 1976. (Proposal/Grant No. PES75-02063)
- d. \$5,200.00 additional funds from National Science Foundation, Washington, D. C., for supplement to 1974 National Science Foundation Energy-Related Graduate Traineeship Award, under the direction of Graduate School. (Grant No. HES74-19648 A01; Proposal No. HES75-06822; Formerly GZ-3650)

TOTAL - Federal Contracts/Grants \$82,939.00

2. State of Ohio Contracts/Grants

- a. \$43,400.00 additional funds from State of Ohio, Department of Health, Columbus, Ohio, for The Ohio State University Nutrition Service WIC Program, under the direction of University Hospitals, for Fiscal Year 1975.
- b. \$39,960.00 from State of Ohio, Department of Mental Health and Mental Retardation, Division of Mental Health, Columbus, Ohio, for Program to Help Foreign Medical Graduates Meet State Licensing Requirements, under the direction of College of Medicine, for period November 11, 1974 through June 30, 1975.

TOTAL - State of Ohio Contracts/Grants \$83,360.00

3. Industrial and Other Contracts/Grants

- a. \$121,765.00 from National Joint Painting, Decorating and Drywall Apprenticeship and Training Committee, Washington, D. C., for development and evaluation of six apprenticeship capsule training courses, under the direction of Center for Vocational and Technical Education, for period January 10, 1975 through March 10, 1976.

III. REPORT OF RESEARCH CONTRACTS, GRANTS, GIFTS, AND AGREEMENTS  
(continued)

A. Office of Business and Administration (continued)

3. Industrial and Other Contracts/Grants (continued)

- b. \$20,500.00 from Charleston Public Schools, Charleston, South Carolina, for providing a continuing organization structure to facilitate the development and implementation of career education in the member school districts in the Alliance for Career Education, under the direction of Center for Vocational and Technical Education, for period July 1, 1974 through June 30, 1975. (Contract No. CVE/ACE-104-CDSC-74)
- c. \$2,500.00 from World Health Organization, Geneva, Switzerland, for Biological Control Vectors of Human Diseases, under the direction of Department of Entomology, for the year 1974.

TOTAL - Industrial and Other Contracts/Grants \$144,765.00

B. The Ohio State University Research Foundation

1. Federal Research Contracts/Grants

- a. \$232,765.00 from Department of Health, Education, and Welfare, National Institute of Education, Washington, D. C., for ERIC Information Analysis Center for Science, Mathematics, Environmental Education, under the direction of Academic Faculty of Science-Mathematics Education, College of Education, for period January 1, 1975 through December 31, 1975. (Project 4093-A1 - New)
- b. \$202,589.00 from U. S. Atomic Energy Commission, Argonne, Illinois, for High Energy Physics Studies (Experimental Portion), under the direction of Department of Physics, for period October 1, 1965 through September 30, 1975. (Project 2116 - Mod. #15)
- c. \$131,849.00 from Department of Health, Education, and Welfare, Public Health Service, National Institutes of Health, National Cancer Institute, Bethesda, Maryland, for In Vitro Study of the Nature of Interaction Between Chemical and Viral Carcinogens, under the direction of Department of Veterinary Pathobiology, for period February 20, 1974 through December 19, 1975. (Project 3885-A1 - Mod. #2)
- d. \$122,579.00 from Department of the Navy, Office of Naval Research, Arlington, Virginia, for Defense Cost and Price Analysis Course, under the direction of Division of Continuing Education, College of Administrative Science, for period July 1, 1974 through September 30, 1975. (Project 4078-A1 - New)

III. REPORT OF RESEARCH CONTRACTS, GRANTS, GIFTS, AND AGREEMENTS  
(continued)

B. The Ohio State University Research Foundation (continued)

1. Federal Research Contracts/Grants (continued)

- e. \$97,000.00 from Department of State, Agency for International Development, Washington, D. C., for Research Network on Agricultural Credit, under the direction of Department of Agricultural Economics and Rural Sociology, for period October 1, 1974 through March 31, 1976. (Project 4110-A1 - New)
- f. \$93,355.00 from Department of Health, Education, and Welfare, Public Health Service, National Cancer Institute, Bethesda, Maryland, for Southwest Oncology Group, under the direction of College of Medicine, for period February 1, 1975 through January 31, 1976. (Project 1094-P - Ext. #15)
- g. \$80,704.00 from Department of Transportation, Federal Highway Administration, Washington, D. C., for Power Plant Bottom Ash in Black Base and Bituminous Surfacing, under the direction of Department of Civil Engineering, for period December 25, 1974 through December 24, 1975. (Project 4109-A1 - New)
- h. \$75,680.00 from Department of Health, Education, and Welfare, Public Health Service, National Institutes of Health, National Heart and Lung Institute, Bethesda, Maryland, for Hypocholesterolemic Agents - Stereochemical Studies, under the direction of College of Pharmacy, for period February 1, 1975 through January 31, 1976. (Project 2769-F - Ext. #6)
- i. \$75,000.00 from Department of the Air Force, Rome Air Development Center (PMRZ), Griffiss Air Force Base, New York, for Advanced TDMA Techniques, under the direction of ElectroScience Laboratory, Department of Electrical Engineering, for period January 1, 1975 through December 31, 1977. (Project 4116-A1 - New)
- j. \$67,295.00 from Department of Health, Education, and Welfare, Public Health Service, National Institutes of Health, National Institute of General Medical Sciences, Bethesda, Maryland, for Synthesis of Biologically Important Carbohydrates, under the direction of Department of Chemistry, for period May 1, 1975 through April 30, 1976. (Project 1820-K - Ext. #10)
- k. \$63,339.00 additional funds from U. S. Environmental Protection Agency, Washington, D. C., for Lake Erie Nutrient Control Program: An Assessment of Its Effectiveness in Controlling Lake Eutrophication, under the direction of College of Biological Sciences. (Project 3705-A2 - Amend. #3)

March 7, 1975 meeting, Board of Trustees

III. REPORT OF RESEARCH CONTRACTS, GRANTS, GIFTS, AND AGREEMENTS  
(continued)

B. The Ohio State University Research Foundation (continued)

1. Federal Research Contracts/Grants (continued)

1. \$61,290.00 from Department of the Navy, Office of Naval Research, Arlington, Virginia, for Defense Negotiations Techniques Course, under the direction of Division of Continuing Education, College of Administrative Science, for period July 1, 1974 through September 30, 1975. (Project 4079-A1 - New)
- m. \$55,440.00 from National Aeronautics and Space Administration, Marshall Space Flight Center, Alabama, for Close Grid Geodynamic Satellite (CLOGEOS) Measurement System Definition, under the direction of Department of Geodetic Science, for period January 1, 1975 through October 15, 1975. (Project 4105-A1 - New)
- n. \$52,411.00 from U. S. Atomic Energy Commission, Argonne, Illinois, for High Energy Physics Studies, under the direction of Department of Physics, for period October 1, 1965 through September 30, 1975. (Project 2116-A - Mod. No. #15)
- o. \$51,142.00 from U. S. Atomic Energy Commission, Argonne, Illinois, for Pulse Radiolysis Studies of Fast Reaction in Molecular Systems, under the direction of Department of Chemistry, for period February 1, 1975 through January 31, 1976. (Project 2589-G - Mod. #3-2)
- p. \$50,000.00 from Department of the Navy, Office of Naval Research, Arlington, Virginia, for Spacecraft Antenna Study--Computational Techniques for Satellite Antenna and Antenna Systems, under the direction of ElectroScience Laboratory, Department of Electrical Engineering, for period July 1, 1974 through June 30, 1975. (Project 4091-A1 - New)
- q. \$49,300.00 from National Science Foundation, Washington, D. C., for Semiconductor--Electrolyte Photovoltaic Energy Converter, under the direction of Department of Electrical Engineering and Department of Chemistry, for period February 1, 1975 through January 31, 1976. (Project 4122-A1 - New)
- r. \$48,994.00 from Department of Health, Education, and Welfare, Public Health Service, National Institutes of Health, National Institute of Neurological Diseases and Stroke, Bethesda, Maryland, for Psychoactive, Anticonvulsant, Antiparkinsonism Drugs, under the direction of College of Pharmacy, for period February 1, 1974 through January 31, 1976. (Project 3394-A3 - Ext. #2)



III. REPORT OF RESEARCH CONTRACTS, GRANTS, GIFTS, AND AGREEMENTS  
(continued)

B. The Ohio State University Research Foundation (continued)

1. Federal Research Contracts/Grants (continued)

- s. \$48,300.00 from National Science Foundation, Washington, D. C., for Alternative Theories of Early City and State Formation in the Near East, under the direction of Department of Anthropology, for period January 1, 1975 through December 31, 1975. (Project 4108-A1 - New)
- t. \$47,200.00 from National Science Foundation, Washington, D. C., for Visual Studies of Flow of Polymers and Soaps in the Sublayer Region, under the direction of Department of Chemical Engineering, for period January 1, 1975 through December 31, 1976. (Project 4101-A1 - New)
- u. \$45,000.00 from U. S. Atomic Energy Commission, Argonne, Illinois, for Kinetics of Ionizing-Radiation Induced Reactions in Organic Compounds, under the direction of Department of Chemistry, for period December 1, 1974 through November 30, 1975. (Project 1398-H - Mod. #9-2)
- v. \$41,897.00 from Department of Health, Education, and Welfare, Public Health Service, Alcohol, Drug Abuse and Mental Health Administration, National Institute of Mental Health, Bethesda, Maryland, for Postoperative Recovery Mechanisms and Retention, under the direction of Department of Psychology, for period January 1, 1975 through December 31, 1975. (Project 1470-M - Ext. #12)
- w. \$40,000.00 from National Science Foundation, Washington, D. C., for Collaborative Research on Cenozoic Igneous History of the Central American and Pacific Northwest Volcanic Province, under the direction of Department of Geology and Mineralogy, for period September 1, 1972 through December 31, 1976. (Project 3519-A1 - NSF Letter Dated January 9, 1975)
- x. \$40,000.00 from Department of the Air Force, Air Force Office of Scientific Research, Arlington, Virginia, for Surface Energies and Related Properties of B-Titanium Alloys, under the direction of Department of Metallurgical Engineering, for period January 1, 1975 through December 31, 1975. (Project 4090-A1 - New)
- y. \$39,730.00 from Department of the Navy, Office of Naval Research, Arlington, Virginia, for (Organizational Communications) and - Decision Making in Crises, under the direction of Department of Sociology, for period December 1, 1974 through November 30, 1975. (Project 4083-A1 - New)

III. REPORT OF RESEARCH CONTRACTS, GRANTS, GIFTS, AND AGREEMENTS  
(continued)

B. The Ohio State University Research Foundation (continued)

1. Federal Research Contracts/Grants (continued)

2. \$34,874.00 from Department of Health, Education, and Welfare, Public Health Service, National Institutes of Health, National Institute of Arthritis, Metabolic and Digestive Diseases, Bethesda, Maryland, for Anti-Vascular Endothelium Antibody in Transplantation, under the direction of Department of Surgery, for period January 1, 1975 through December 31, 1975. (Project 3857-A2 - Ext. #1)
- aa. \$33,000.00 from National Science Foundation, Washington, D. C., for Electronic, Dynamic and Chemical Properties of Carbanionic Substances, under the direction of Department of Chemistry, for period January 1, 1973 through April 30, 1976. (Project 3610-A1 - NSF Letter Dated December 27, 1974)
- bb. \$28,609.00 from Department of Health, Education, and Welfare, Public Health Service, National Institutes of Health, National Heart and Lung Institute, Bethesda, Maryland, for Mapping of Intimal O2 Tension in Atherosclerosis, under the direction of Department of Physiology, for period January 1, 1975 through December 31, 1975. (Project 1800-L - Ext. #11)
- cc. \$28,480.00 from Department of Health, Education, and Welfare, Public Health Service, National Institutes of Health, National Institute of General Medical Sciences, Bethesda, Maryland, for Drug Receptor Related Stereoselectivities, under the direction of College of Pharmacy, for period January 1, 1975 through December 31, 1975. (Project 3099-A4 - Ext. #3)
- dd. \$27,000.00 from Department of the Navy, Office of Naval Research, Arlington, Virginia, for Thin Films--Research on the Kinetics of Phase Changes of Solids, under the direction of Department of Metallurgical Engineering, for period December 15, 1974 through December 14, 1975. (Project 4098-A1 - New)
- ee. \$23,900.00 from National Science Foundation, Washington, D. C., for Study of the Ice Sheet Dynamics Northeast of Byrd Station, under the direction of Institute of Polar Studies, for period March 1, 1974 through February 28, 1976. (Project 3855-A1 - NSF Letter Dated December 20, 1974)
- ff. \$18,056.00 from Department of the Army, U. S. Army Medical Research and Development Command, Washington, D. C., for Isolation and Characterization of Plasmodial and Babesial Antigens, under the direction of Department of Microbiology, for period December 1, 1971 through June 30, 1975. (Project 3365-A1 - Mod. Dated January 10, 1975)

III. REPORT OF RESEARCH CONTRACTS, GRANTS, GIFTS, AND AGREEMENTS

(continued)

B. The Ohio State University Research Foundation (continued)

1. Federal Research Contracts/Grants (continued)

- gg. \$17,324.00 from Department of the Navy, Office of Naval Research, Arlington, Virginia, for Contract Administration Course, under the direction of Division of Continuing Education, College of Administrative Science, for period July 1, 1974 through September 30, 1975. (Project 4080-A1 - New)
- hh. \$16,500.00 from National Science Foundation, Washington, D. C., for Thirtieth and Thirty-First Symposia on Molecular Structure and Spectroscopy, under the direction of Department of Physics, for period January 1, 1975 through December 31, 1976. (Project 4121-A1 - New)
- ii. \$15,626.00 from Department of Health, Education, and Welfare, Public Health Service, National Institutes of Health, National Heart and Lung Institute, Bethesda, Maryland, for the Pharmacology of Coumarin Anticoagulants, under the direction of Department of Pharmacology, for period January 1, 1975 through December 31, 1975. (Project 3623-A3 - Ext. #2)
- jj. \$10,215.00 from Department of the Navy, Office of Naval Research, Arlington, Virginia, for Defense Termination Settlement Course, under the direction of Division of Continuing Education, College of Administrative Science, for period August 1, 1974 through September 30, 1975. (Project 4081-A1 - New)
- kk. \$8,800.00 from Department of the Navy, Office of Naval Research, Arlington, Virginia, for Defense Two-Step Formal Advertising and Multi-Year Procurement Course, under the direction of Division of Continuing Education, College of Administrative Science, for period July 1, 1974 through September 30, 1975. (Project 4082-A1 - New)
- ll. \$7,400.00 additional funds from National Science Foundation, Washington, D. C., for Dust Concentrations in Antarctic and Greenland Ice Cores, under the direction of Institute of Polar Studies. (Project 3416-A1 - NSF Letter Dated December 19, 1974)
- mm. \$1,102.50 additional funds from U. S. Civil Service Commission, Washington, D. C., for Inter-Government Training Course Preparation and Instruction, under the direction of Division of Continuing Education, College of Administrative Science. (Project 3808-G1 - Purchase Order Dated December 10, 1974)

TOTAL - Federal Research Contracts/Grants \$2,183,655.50

III. REPORT OF RESEARCH CONTRACTS, GRANTS, GIFTS, AND AGREEMENTS  
(continued)

B. The Ohio State University Research Foundation (continued)

2. State of Ohio Research Contracts/Grants

- a. \$13,725.00 from State of Ohio, Department of Economic and Community Development/Manpower, Columbus, Ohio, for the Transition to CETA in Ohio: An Analysis of Implementation, under the direction of Department of Political Science, for period December 1, 1974 through November 30, 1975. (Project 4088-A1 - New)
- b. \$9,726.00 from State of Ohio, Department of Economic and Community Development, Columbus, Ohio, for Ohio Quality of Work Data Bank Project, under the direction of Academic Faculty of Management Science, for period October 1, 1974 through June 30, 1975. (Project 4056-A1 - New)
- c. \$1,500.00 from State of Ohio, Ohio Arts Council, Columbus, Ohio, for Commission of Choral-Orchestral Work, under the direction of School of Music, for period January 6, 1975 through December 31, 1975. (Project 4120-A1 - New)

TOTAL - State of Ohio Research Contracts/Grants \$24,951.00

3. Industrial, Subcontracts/Grants and Other Non-Federal Research Contracts/Grants

- a. \$46,990.00 from Franklin County Sheriff's Office, Columbus, Ohio, for Educational Opportunities Program for the Franklin County Corrections Center, under the direction of Division of Continuing Education, College of Administrative Science, for period December 1, 1974 through November 30, 1975. (Project 4087-A1 - New)
- b. \$35,670.78 from Franklin County Council on Aging, Parks and Recreation, Columbus, Ohio, for Homebound Dental Care, under the direction of College of Dentistry, for period October 1, 1974 through March 31, 1975. (Project 4043-A1 - New)
- c. \$10,000.00 from Martha Holden Jennings Foundation, Cleveland, Ohio, for Educational Administration Twenty Years Later: 1954-1974, under the direction of Academic Faculty of Educational Administration, College of Education, for period January 1, 1975 through August 31, 1975. (Project 4123-A1 - New)
- d. \$7,442.00 from National Geographic Society, Washington, D. C., for Glacial and Floral Changes in Southern Argentina Since 14,000 Years Ago, under the direction of Institute of Polar Studies, for period January 1, 1975 through December 31, 1975. (Project 4104-A1 - New)

March 7, 1975 meeting, Board of Trustees

III. REPORT OF RESEARCH CONTRACTS, GRANTS, GIFTS, AND AGREEMENTS  
(continued)

B. The Ohio State University Research Foundation (continued)

3. Industrial, Subcontracts/Grants and Other

Non-Federal Research Contracts/Grants (continued)

- e. \$4,874.00 additional funds from The Council for Exceptional Children, Reston, Virginia, for CS Subcontract Data Summary - National Center for Educational Media and Materials for the Handicapped (NCEMMH), under the direction of Academic Faculty of Curriculum and Foundations. (Project 4061-B1 - Mod. #1)
- f. \$3,500.00 from University of Pittsburgh, Pittsburgh, Pennsylvania, for Study of Treatment of Primary Breast Cancer, under the direction of Department of Surgery, for period July 1, 1974 through June 29, 1975. (Project 3639-A3 - Amend. #1)
- g. \$2,760.00 from American Heart Association, Central Ohio Heart Chapter, Inc., Columbus, Ohio, for Non-aqueous Fractionation of Heart Muscles, under the direction of Department of Physiological Chemistry, for period January 1, 1975 through December 31, 1975. (Project 4117-A1 - New)

TOTAL - Industrial, Subcontracts/Grants and Other

Non-Federal Research Contracts/Grants \$111,236.78

C. The Engineering Experiment Station

1. Federal Research Contracts

- a. \$8,847.00 from U. S. Department of the Interior, Washington, D. C., for The Effects of Process Design on Reduced Water and Waste in Dairy Processing, under the direction of Departments of Civil Engineering and Food Science and Nutrition, for period January 1, 1975 through December 31, 1975. (EES 502)
- b. \$8,750.00 from U. S. Department of the Interior, Washington, D. C., for The Mercury Content of Plankton, Microparticulates and the Water Column in Western Lake Erie, under the direction of Department of Microbiology, for period January 1, 1975 through December 31, 1975. (EES 501)

TOTAL - Federal Research Contracts \$17,597.00

2. Industrial and Other Research Contracts

- a. \$41,061.00 from The Ohio State University - Office of Physical Facilities, Columbus, Ohio, for Study of Energy Conservation for University Buildings - Extension No. 1, under the direction of Department of Mechanical Engineering, for period October 11, 1974 through June 30, 1975. (EES 468, Ext. #1)

III. REPORT OF RESEARCH CONTRACTS, GRANTS, GIFTS, AND AGREEMENTS  
(continued)

C. The Engineering Experiment Station (continued)

2. Industrial and Other Research Contracts (continued)

- b. \$20,210.00 from Refractories Institute, Pittsburgh, Pennsylvania, for Research in Test Methods, under the direction of Department of Ceramic Engineering, for period July 1, 1974 through June 30, 1975. (EES 503)
- c. \$19,000.00 from The Ohio State University - Office of Physical Facilities, Columbus, Ohio, for The ABLE Program Expansion, under the direction of Department of Mechanical Engineering, for period January 1, 1975 through June 30, 1975. (EES 504)
- d. \$7,650.00 from Dayco Corporation, Springfield, Missouri, for Tensile Fatigue Testing of V-Belts, under the direction of Department of Mechanical Engineering, for period October 1, 1974 through September 30, 1975. (EES 453, Ext. #2)
- e. \$4,800.00 from Pennsylvania Separator Company, Brookville, Pennsylvania, for In-Line Separator Efficiency, under the direction of Department of Mechanical Engineering, for period September 1, 1974 through August 31, 1975. (EES 438, Ext. #5)

TOTAL - Industrial and Other Research Contracts \$92,721.00

D. The Ohio State University Development Fund

1. Gifts of \$5,000 or More

- a. \$100,000.00 from The Kiplinger Foundation, Inc., Washington, D. C., for the Willard M. Kiplinger Chair in Public Affairs Reporting.
- b. \$42,036.74 from The Associates of Medicine, Columbus, Ohio--\$41,252.21 to continue support of the Department of Medicine General Fund and \$784.53 for support of Cardiology Research.
- c. \$20,296.43 from The Louise Orr Scott Foundation, Columbus, Ohio--\$15,222.32 for scholarships in the College of Medicine and \$5,074.11 for scholarships in the College of Pharmacy.
- d. \$14,031.67 from The Ohio Electric Utility Institute, Columbus, Ohio, for their fellowship fund in Electrical Engineering.
- e. \$11,000.00 from PPG Industries Foundation, Pittsburgh, Pennsylvania, for the Department of Mechanical Engineering Support Fund.

III. REPORT OF RESEARCH CONTRACTS, GRANTS, GIFTS, AND AGREEMENTS  
(continued)

D. The Ohio State University Development Fund (continued)

1. Gifts of \$5,000 or More (continued)

- f. \$10,105.00 from The Refractories Institute, Pittsburgh, Pennsylvania, for their research fund in the Department of Ceramic Engineering.
- g. \$8,956.00 from The Charles F. High Foundation, Bucyrus, Ohio, for their scholarship fund.
- h. \$8,057.00 from The Grace High Washburn Trust, Bucyrus, Ohio, for their scholarship fund.
- i. \$8,225.00 from Mr. and Mrs. Ralph W. Kurtz, Tampa, Florida, for research in the College of Medicine.
- j. \$6,186.11 from Bell Laboratories, Columbus, Ohio--\$3,685.00 for their teaching and research fund in Engineering and \$2,501.11 for their affirmative action program in Engineering.
- k. \$6,000.00 from Ohio Florists Association, Columbus, Ohio, for their fellowship fund.
- l. \$5,000.00 from Margaritha A. Grandstaff, Silver Spring, Maryland, for the James O. Grandstaff Memorial Award for undergraduate and graduate students majoring in Animal Science.
- m. \$5,000.00 from Eli Lilly and Company, Indianapolis, Indiana, for infectious disease research.

2. Establishment of Named Funds

- a. \$5,000.00 from Dr. Fred A. Hitchcock for the establishment of the Fred A. Hitchcock Professorship in Environmental Physiology Fund.

Fred A. Hitchcock Professorship  
in Environmental Physiology Fund

The Fred A. Hitchcock Professorship in Environmental Physiology Fund was established March 7, 1975, by the Board of Trustees of The Ohio State University with a gift to The Ohio State University Development Fund from Fred A. Hitchcock, M.S. '23, Ph. D. '26, of Columbus, Ohio.

III. REPORT OF RESEARCH CONTRACTS, GRANTS, GIFTS, AND AGREEMENTS  
(continued)

D. The Ohio State University Development Fund (continued)

2. Establishment of Named Funds (continued)

- a. Fred A. Hitchcock Professorship in Environmental Physiology Fund (continued)

All gifts are to be invested in the University's Permanent Endowment Fund, under the rules and regulations adopted by the Board of Trustees of The Ohio State University, with the right to invest and reinvest as occasion dictates.

The annual income is to be added to principal until such time as sufficient money is available to establish the Fred A. Hitchcock Professorship in Environmental Physiology. It is anticipated that additional funds will be forthcoming at Dr. Hitchcock's demise to fully fund the Professorship.

Should the need for this faculty position cease to exist or so diminish as to provide unused income, then the income may be used for any purpose whatsoever as determined by the Board of Trustees, with preference being given to recommendations from the appropriate administrative official of the University who is then directly responsible for environmental physiology.

- b. \$5,000.00 from Wilhelmina S. Kinsey for the establishment of The Slaymaker-Kinsey Memorial Scholarship Trust Fund.

The Slaymaker-Kinsey Memorial Scholarship Trust Fund

The Slaymaker-Kinsey Memorial Scholarship Trust Fund was established March 7, 1975, by the Board of Trustees of The Ohio State University with a gift of \$5,000 to The Ohio State University Development Fund from Wilhelmina S. Kinsey, B.S. Ed. '16, B.A. '18, M.A. '34, of Columbus, Ohio. It is Mrs. Kinsey's intention that additional funds be added to the memorial fund by means of a bequest at her demise and/or by further gifts during her life.

All gifts are to be invested in the University's Permanent Endowment Fund, under the rules and regulations adopted by the Board of Trustees of The Ohio State University, with the right to invest and reinvest as occasion dictates. The principal sum is to remain intact at all times.

The annual income is to be used to provide one or more scholarships of approximately \$200 each for undergraduate and/or graduate students who have demonstrated excellent ability during at least two quarters in the University. The selection of the recipient is to be made upon the recommendation of the University Scholarship Committee. Preference is to be given to women students enrolled in the College of Education.



March 7, 1975 meeting, Board of Trustees

III. REPORT OF RESEARCH CONTRACTS, GRANTS, GIFTS, AND AGREEMENTS  
(continued)

D. The Ohio State University Development Fund (continued)

2. Establishment of Named Funds (continued)

- c. \$5,000.00 from Pauline C. Wittwer for the establishment of the Pauline C. Wittwer Graduate Fellowship in Dentistry.

Pauline C. Wittwer Graduate Fellowship in Dentistry

The Pauline C. Wittwer Graduate Fellowship in Dentistry was established March 7, 1975, by the Board of Trustees of The Ohio State University with a gift to The Ohio State University Development Fund from Pauline C. Wittwer, B.S. Ed. '26, of Columbus, Ohio.

All gifts are to be invested in the University's Permanent Endowment Fund, under the rules and regulations adopted by the Board of Trustees of The Ohio State University, with the right to invest and reinvest as occasion dictates.

The annual income is to be used to provide one or more graduate fellowships in the College of Dentistry for individuals who have expressed a preference for teaching as a career and have demonstrated a need for financial assistance. The selection of the recipient is to be made upon the recommendation of the Chairman of the College of Dentistry Graduate Committee with the approval of the Dean of the College of Dentistry.

Should the need for these graduate fellowships cease to exist or so diminish as to provide unused income, then the income may be used for any purpose whatsoever as determined by the Board of Trustees with preference being given to recommendations from the appropriate administrative official of the University who is then directly responsible for dental education.

\*

\*

\*

IV. BUSINESS AND ADMINISTRATION

A. Plans and Specifications

At the request of the Vice President for Business and Administration, President Enarson recommended that the plans and specifications, bills of materials, and estimates of cost for the following projects be approved by the Board of Trustees:

1. Lincoln Tower Alterations

This project will be the conversion of Lincoln Tower from residential to a combination of residential and office use.

March 7, 1975 meeting, Board of Trustees

IV. BUSINESS AND ADMINISTRATION (continued)

A. Plans and Specifications (continued)

1. Lincoln Tower Alterations (continued)

The upper nine floors will be retained for residential operations. This is a logical break due to the nature of the elevator banks. The residential control will be relocated on the 15th floor.

Work on the first three floors will involve considerable remodeling to accommodate the relation of the combined services facility including, University Systems Operations, Admissions, Director of Records, Bursar, I. D. Center, Traffic and Parking, Student Financial Aids, Part-Time and Evening Programs.

The basic objectives of these lower floors is to establish a "one-stop concept" for the students by consolidating central administrative functions which are involved as a student prepares for a coming school year, e.g., admission, class scheduling, fees, financial assistance, I. D., parking permission, lodging and food services.

Floors four through fourteen will be assigned to various University departments on an "as is" basis with the exception of work required by bringing the building up to present codes as required by the change in occupancy.

Funds are budgeted in H. B. 985, Item 315-074 (Utilities and Renovation).

2. Recreation, Physical Education, Intramural Facilities - Central Facility

This project will provide expanded recreation, physical education and intramural facilities attached to the existing Physical Education Building and will provide remodeling of the existing locker-shower rooms.

The new construction will contain approximately 173,226 square feet of floor space. It will contain four gymnasiums, men's and women's conditioning areas, 20 handball courts, a multi-purpose area, a classroom, a conference room, a lounge, and offices along with the necessary supporting and service areas.

In addition to the above, the facility will include a 50-meter pool and a diving pool. Remodeling includes locker-shower areas for men and women on two separate floors which will contain 22,000 square feet of floor space.

A fifth gymnasium for men's and women's gymnastics containing 12,000 square feet of floor space will be considered as an add alternate.

IV. BUSINESS AND ADMINISTRATION (continued)

A. Plans and Specifications (continued)

2. Recreation, Physical Education, Intramural Facilities - Central Facility (continued)

Since the building will extend over a number of existing tennis courts, plans have been made for their replacement by separate contract which will be funded from this project.

Funds are budgeted in H. B. 985, Item 315-081 (Recreation, Physical Education, Intramural Facilities), and gifts.

3. Brown Hall--Installation of New Elevator

This project will provide for the construction of an exterior elevator in a new masonry elevator shaft with elevator equipment room adjoining the east side of the north wing of the building. There is no elevator in this building at the present time. In order to make the building accessible to handicapped people, it is necessary to provide an elevator.

Funds are budgeted in H. B. 985, Item 315-074 (Utilities and Renovation).

4. Masonry Repairs--Exterior, 1975

This project will provide necessary maintenance to the exteriors of Brown Hall, Animal Science, Caldwell Laboratory, and Stillman Hall. Work will consist of the repair of defective masonry joints, placement of sealants and waterproofing of surfaces. Alternate quotations will be solicited for similar work in other major campus buildings.

Funds are budgeted in H. B. 985, Item 315-074 (Utilities and Renovation).

5. Hamilton Hall Electric Service

This project will provide for the construction of underground manholes and conduits and installation of 15 KV power cables to provide for adequate power supply to the building.

Funds are budgeted in H. B. 985, Item 315-074 (Utilities and Renovation).

6. Tunnel Repairs, North Central Campus

This project will provide for the repair of a deteriorated section of tunnel (adjacent to 18th Avenue), extending to Arps Parking Lot. The walls are out of alignment and structural failure could occur. Temporary shoring has been installed until permanent repairs can be made. An alternate quotation will be solicited for similar work in the 19th Avenue tunnel.

March 7, 1975 meeting, Board of Trustees

IV. BUSINESS AND ADMINISTRATION (continued)

A. Plans and Specifications (continued)

6. Tunnel Repairs, North Central Campus (continued)

Funds are budgeted in H. B. 985, Item 315-074 (Utilities and Renovation).

Upon motion of Mr. Harrod, seconded by Dr. Sirak, the above recommendations were approved by unanimous roll call vote, and the Secretary was authorized and directed to sign the plans and specifications for the above projects for and on behalf of the Board of Trustees. The Vice President for Business and Administration was directed to proceed with a request for bids in the normal University manner, and if satisfactory bids are received to proceed with the award of contracts. All action regarding this matter will be reported to the Board of Trustees at a later meeting.

B. Report of Award of Contracts

In accordance with authorization provided by the Board of Trustees, bids were taken on the projects listed below and the contracts were recommended for award. The action reported to the Board was as follows:

1. Newark Campus, Phase II

	<u>Low Bid</u>	<u>Est. of Cost</u>
<u>General Contract</u>		
(4 bids received 2-10-75, Rebid)		
Kokosing Construction Company (Fredericktown, Ohio)		
Base bid	\$ 999,500.00	\$1,082,000.00
Alt. G-1 Additional faculty offices	+ 31,000.00	+ 46,900.00
Alt. G-4 Wood floor, student dining room	+ 3,500.00	+ 11,500.00
Total Contract	<u>\$1,034,000.00</u>	<u>\$1,140,400.00</u>
<u>Plumbing Contract</u>		
(7 bids received 2-10-75, Rebid)		
The Gesling Company (Lancaster, Ohio)		
Base bid	\$ 109,250.00	\$ 120,000.00
Alt. P-1 Additional faculty offices	+ 850.00	+ 1,000.00
Alt. P-3 Delete one water heater	- 1,000.00	- 2,500.00
Total Contract	<u>\$ 109,100.00</u>	<u>\$ 118,500.00</u>

March 7, 1975 meeting, Board of Trustees

IV. BUSINESS AND ADMINISTRATION (continued)

B. Report of Award of Contracts (continued)

1. Newark Campus, Phase II (continued)

	<u>Low Bid</u>	<u>Est. of Cost</u>
<u>Heating, Ventilating and Air Conditioning Contract</u> (7 bids received 2-10-75, Rebid)		
Bestway Mechanical (Zanesville, Ohio)		
Base bid	\$ 279,700.00	\$ 291,000.00
Alt. HVAC-3 Additional faculty offices	+ 6,790.00	+ 8,000.00
Alt. HVAC-10 Diffuser for dining room	- 1,000.00	<u>Add or Deduct</u>
Total Contract	<u>\$ 285,490.00</u>	<u>\$ 299,000.00</u>
 <u>Electrical Contract</u> (3 bids received 2-10-75, Rebid)		
Bestway Mechanical (Zanesville, Ohio)		
Base bid	\$ 239,000.00	\$ 260,000.00
Alt. E-3 Additional faculty offices	+ 7,962.00	+ 9,500.00
Total Contract	<u>\$ 246,962.00</u>	<u>\$ 269,500.00</u>
<u>Total All Contracts</u>	<u>\$1,675,552.00</u>	<u>\$1,827,400.00</u>

Funds for this project have been provided from H. B. 988, Item 315-085, and H. B. 985, Item 315-085 (Ohio State University, in cooperation with Central Ohio Technical College - Newark).

2. University Hospital, Intensive Care Unit Alterations

	<u>Low Bid</u>	<u>Est. of Cost</u>
<u>General Contract</u> (3 bids received 1-23-75)		
R. W. Setterlin & Sons (Columbus, Ohio)		
	\$ 543,000.00	\$ 545,000.00
 <u>Plumbing Contract</u> (4 bids received 2-13-75, Rebid)		
Croson Plumbing & Heating (Columbus, Ohio)		
	112,410.00	140,000.00

March 7, 1975 meeting, Board of Trustees

IV. BUSINESS AND ADMINISTRATION (continued)

B. Report of Award of Contracts (continued)

2. University Hospital, Intensive Care Unit Alterations (continued)

	<u>Low Bid</u>	<u>Est. of Cost</u>
<u>Heating, Ventilating and</u>		
<u>Air Conditioning Contract</u>		
(3 bids received 2-13-75, Rebid)		
Limbach Company		
(Columbus, Ohio)	\$ 194,900.00	\$ 225,000.00
 <u>Electrical Contract</u>		
(4 bids received 2-13-75)		
Jess Howard Electric Co.		
(Columbus, Ohio)	<u>143,725.00</u>	<u>160,000.00</u>
 <u>Total All Contracts</u>	 <u>\$ 994,035.00</u>	 <u>\$1,070,000.00</u>

Funds for this project have been provided in Budget Account 801279 (Hospital Rotary).

3. Goss Laboratory - Veterinary Hospital--Chilled Water Loop

	<u>Low Bid</u>	<u>Est. of Cost</u>
<u>Heating, Ventilating and</u>		
<u>Air Conditioning Contract</u>		
(6 bids received 2-7-75, Rebid)		
C. & E. Mechanical		
(Columbus, Ohio)	\$ 22,849.00	\$ 25,300.00

Funds for this project have been provided in Budget Account 126070 (Contract Repair).

4. Lima Campus, New Recreational Area

	<u>Low Bid</u>	<u>Est. of Cost</u>
<u>General Contract</u>		
(3 bids received 2-5-75, Rebid)		
E. J. Meyer Corporation		
(Ottawa, Ohio)	\$ 49,350.00	\$ 52,500.00

Funds for this project have been provided in Budget Account 801301 (Lima Campus, Recreation Area).

Upon motion of Mr. Dunlap, seconded by Mr. Harrod, the above award of contracts and expenditure of funds were approved and the action of the Vice President for Business and Administration was ratified by unanimous roll call vote.

\*

\*

\*

March 7, 1975 meeting, Board of Trustees

V. REPORT

A. Report on the University's Investment Portfolio

The report dated March 7, 1975, as submitted to the Finance Committee of the Board of Trustees by Mr. Ernest W. Leggett pertaining to the University's Investment Portfolio, was received and ordered to be filed with the official records of the Board of Trustees.

\*

\*

\*

Mrs. James asked Dr. Armitage about his reorganization plan for the Office of Student Services.

Dr. Armitage responded that the nature of student services has required change over the years from the concept of a Dean of Men and Dean of Women followed by the concept of a Dean of Students' Office to a more mission-oriented organizational structure. After studying the duties performed by the various areas under his jurisdiction, many duplications of effort were found. The reorganization proposed would assist in eliminating these duplications.

\*

\*

\*

Thereupon the Board adjourned to meet Friday, April 4, 1975, at The Ohio State University Fawcett Center for Tomorrow, Columbus, Ohio, at 1:30 p.m.

Attest:

\_\_\_\_\_  
Edward Q. Moulton  
Secretary

\_\_\_\_\_  
William C. Safford  
Chairman

Following the adjournment, President Enarson called on Vice President Mount for a presentation on the University's Regional Campus program. After presenting enrollment and budgetary information on the operation of the Regional Campuses, the Directors of the Regional Campuses were introduced together with the members of the Advisory Councils.

- o -

Dr. Robert Barnes, Director of the Newark Campus, then presented a movie depicting campus activities on the Newark Regional Campus.

- o -

Mr. Norman Sleight, Regional Vice President, State Farm Mutual Insurance Company, concluded the program by reviewing the accomplishments of the Newark Regional Campus program.

- o -

Page 424 Blank



THE OHIO STATE UNIVERSITY  
OFFICIAL PROCEEDINGS OF THE  
ONE THOUSAND ONE HUNDRED AND SIXTH MEETING  
OF THE BOARD OF TRUSTEES

Columbus, Ohio, April 4, 1975

The Board of Trustees met at its regular monthly meeting on Friday, April 4, 1975, at The Ohio State University Fawcett Center for Tomorrow, Columbus, Ohio, pursuant to adjournment.

Present: William C. Safford, Chairman, Don M. Hilliker, John H. Dunlap, M. Merle Harrod, John L. Gushman, Howard D. Sirak, Patricia D. James, Chester Devenow, and Warren J Smith.

\*

\*

\*

Minutes of the last meeting were approved.

\*

\*

\*

April 4, 1975 meeting, Board of Trustees

RESOLUTIONS IN MEMORIAM

President Enarson reported to the Board the deaths of Roderick D. Barden, Professor Emeritus in the Department of Agricultural Engineering; Carl O. Boucher, Professor in the College of Dentistry; Wencel J. Kostir, Professor Emeritus in the Department of Zoology; and Mary Louise Mark, Professor Emeritus in the School of Social Work. In accordance with the instructions of the Board of Trustees, copies of the following resolutions expressing on behalf of the University the sorrow and sympathy of the Board will be furnished the families of the deceased.

A. Roderick D. Barden

The Board of Trustees of The Ohio State University expresses its sorrow at the death on March 22, 1975, of Roderick D. Barden, Professor Emeritus in the Department of Agricultural Engineering.

Professor Barden was born near Shreve, Ohio, on March 26, 1900. He was educated at the Wooster High School where he was graduated in 1919. In 1923 he received his Bachelor of Science in Agriculture degree and in 1938 his Master of Science degree from The Ohio State University.

Professor Barden was initially employed as an Extension Agricultural Engineer in 1924 and moved to the rank of Professor of Agricultural Engineering. He served as Acting Director of the School of Aviation and Acting Director of Don Scott Field from 1951 to 1955. At that time he became Chairman of the Department of Agricultural Engineering serving in that capacity until his retirement in 1960.

His membership in professional societies included the American Society of Agricultural Engineers and the American Society for Engineering Education. He also was a member of Alpha Zeta, Scabbard and Blade, Gamma Sigma Delta, and was made a State Farmer in 1946.

Professor Barden was best known for his outstanding ability as a teacher, receiving the Professor of the Year Award from the College of Agriculture in 1955. He served on several University groups including the Faculty Council, the Conference Committee of the Teaching Staff, and the Athletic Council. He had a special interest in the application of airplanes to agricultural practices and conducted research programs in the development, application, and testing phases of the agricultural airplane.

On behalf of the University, the Board of Trustees expresses to the family its deep sympathy and sense of understanding in its loss. It was directed that this resolution be inscribed upon the minutes of the Board of Trustees and that a copy be tendered to the family as a humble expression of the Board's heartfelt sympathy in its bereavement.

April 4, 1975 meeting, Board of Trustees

RESOLUTIONS IN MEMORIAM (continued)

B. Carl O. Boucher

The Board of Trustees of The Ohio State University expresses its sorrow at the death on March 11, 1975, of Carl O. Boucher, Professor in the College of Dentistry.

Dr. Boucher received his D.D.S. degree from The Ohio State University in 1927 and entered private practice the same year. In 1928 he joined the faculty at The Ohio State University College of Dentistry. He was Chairman of the Section of Prosthodontics and Chairman of the Division of Dental Laboratory Technology, during his 47 years of service.

Dr. Boucher was past president of the Columbus Dental Society and the Ohio Dental Association. He was a member of the American Dental Association, International Association of Dental Research, American Association for Advancement of Science, Federation Dentaire Internationale, American Association of Dental Editors, Pierre Fauchard Academy, Academy of Denture Prosthetics, American Prosthodontic Society, American Board of Prosthodontics, American Association of Cleft Palate Rehabilitation, American Equilibration Society, American Association of Dental Schools, Ohio State Dental Care Corporation, Federation of Prosthodontic Organizations, and American College of Dentists. He was an honorary member of Nebraska State Dental Association, Florida State Dental Association, Milwaukee Dental Forum, Pacific Coast Society of Prosthodontics, Southeastern Academy of Prosthodontics, Academia Brasileira de Odontologia, American Dental Society of Europe, and American Academy of Maxillo-facial Prosthetics. He was elected to honorary membership in the Dental Association of South Africa and was also made an honorary member of the Prosthodontic Society of South Africa. Dr. Boucher was selected by the Federation Dentaire Internationale to receive the Georges Villain International Prize for outstanding work in prosthodontics.

Dr. Boucher served as Editor of the Ohio Dental Journal and of the Journal for Prosthetic Dentistry. He was the author of two textbooks, Glossary of Clinical Dental Terminology and Swenson's Complete Denture Prosthodontics. He was active in Theta Chapter of Omicron Kappa Upsilon and was a past Supreme Grand Master of Psi Omega, professional dental fraternity.

He was honorary president of the Carl O. Boucher Prosthodontic Conference which was formed in his honor by his former students in 1966.

On behalf of the University, the Board of Trustees expresses to the family its deep sympathy and sense of understanding in its loss. It was directed that this resolution be inscribed upon the minutes of the Board of Trustees and that a copy be tendered to the family as an expression of the Board's heartfelt sympathy.

April 4, 1975 meeting, Board of Trustees

RESOLUTIONS IN MEMORIAM (continued)

C. Wencel J. Kostir

The Board of Trustees of The Ohio State University expresses its sorrow at the death on March 11, 1975, of Wencel J. Kostir, Professor Emeritus in the Department of Zoology.

Professor Kostir was born in Cleveland, Ohio, on September 28, 1886. He worked as a printer from 1901 to 1907, attended Baldwin-Wallace College, and returned to work as a printer from 1909 to 1910. Professor Kostir attended The Ohio State University and received his Bachelor of Arts degree in 1912 and his Master of Arts degree in 1913, where he was elected to Phi Beta Kappa.

Professor Kostir was first employed at The Ohio State University as an Instructor in 1913. During the summers of 1917 and 1918 he was Instructor at the Marine Biology Laboratory, and in 1921-22 he was an Assistant Instructor at Columbia University. He returned to The Ohio State University October 1, 1923 as Assistant Professor. He was made Associate Professor in 1926, Professor in 1945, and he retired in 1957.

His membership in professional societies included the Sigma Xi, Ohio Academy of Science, American Society of Protozoologists, American Microscopical Society, and American Association for Advancement of Science.

Professor Kostir published numerous highly regarded scientific papers in the Ohio Journal of Science, Transactions of the American Microscopical Society, Journal of Experimental Zoology, and others. He was co-author of a Laboratory Guide in Zoology.

On behalf of the University, the Board of Trustees expresses to the family its deep sympathy and sense of understanding in its loss. It was directed that this resolution be inscribed upon the minutes of the Board of Trustees and that a copy be tendered to the family as a humble expression of the Board's heartfelt sympathy in its bereavement.

D. Mary Louise Mark

The Board of Trustees of The Ohio State University expresses its sorrow at the death on March 18, 1975, of Mary Louise Mark, Professor Emeritus in the School of Social Work.

Professor Mark was born January 6, 1878, in Scioto County, Ohio, where her father served as pastor for several Methodist Churches. She took preparatory work at Ohio University in 1898 and received her B. A. degree from The Ohio State University in 1903. In 1907 she was awarded her Master's degree from Columbia University.

April 4, 1975 meeting, Board of Trustees

RESOLUTIONS IN MEMORIAM (continued)

D. Mary Louise Mark (continued)

Throughout her career, Professor Mark was an innovator in survey research. Her first position was with Theodore Roosevelt's Immigration Commission where she pioneered in surveys of the living conditions of immigrants in New York City. In 1911 she edited the first mortality report of the U. S. Bureau of the Census. The following year she went to the U. S. Bureau of Labor where she developed methods for collecting data for the indexes of consumer prices. In 1913 she returned to Ohio to develop a reporting system for morbidity statistics.

Professor Mark joined The Ohio State University faculty in 1914 as an Assistant in economics and sociology, was appointed Instructor in 1915, Assistant Professor in 1918, and Professor in 1923. She taught primarily in the areas of survey methods and statistics and emphasized field experience in the learning tasks. She was one of the founding faculty of what is now the College of Administrative Science and the School of Social Work and participated in the development of degree programs at all levels. She took leave in 1927 for a survey of Indian affairs, visiting all major Indian reservations. She became Professor Emeritus in 1943 but taught research methodology (part time) in business organization during World War II.

Professor Mark served the Columbus community well. She and her students made early studies of housing, unemployment, leisure-time needs, Negroes, and delinquency in Columbus. She authored numerous reports of her various research activities and a textbook, Statistics in the Making. Her honors included: Phi Beta Kappa; Centennial Award (College of Administrative Science); Life Member of Board of Gladden Community House; Fellow, Royal Statistical Society; President, Columbus Chapter, American Statistical Association.

On behalf of The Ohio State University, the Board of Trustees expresses to the family its deep sympathy and sense of understanding in its loss. It was directed that this resolution be inscribed in the minutes of the Board of Trustees and that a copy be tendered to the family as a sincere expression of the Board's realization of the loss which the family and the University have sustained.

\*

\*

\*

President Enarson presented the following recommendations:

I. GENERAL RECOMMENDATION

A. Addition of Rule 28.12 and Revision of Rule 29.2709 of Rules for the University Faculty

The University Senate at the meeting held March 11, 1975, approved the addition of Rule 28.12 and the revision of Rule 29.2709 of Rules for the University Faculty, with the changes to be effective immediately.

April 4, 1975 meeting, Board of Trustees

I. GENERAL RECOMMENDATION (continued)

A. Addition of Rule 28.12 and Revision of Rule 29.2709 of Rules for the University Faculty (continued)

The changes made were as follows:

28.12--Reiterates Roberts' Rules that changes in organization of the body shall require two-thirds affirmative vote of members present and voting.

29.2709--Grants freshman member permission to vote.

President Enarson recommended that the proposal from the University Senate for establishment of new Rule 28.12 and revision of Rule 29.2709 of Rules for the University Faculty be approved.

Upon motion of Mr. Gushman, seconded by Mrs. James, the Board of Trustees approved the foregoing recommendation by unanimous voice vote.

- o -

Rules for the University Faculty

28.12. Procedure for Altering the Organization of the University Senate.

In matters pertaining to an alteration of the organization of the Senate

- a. the Secretary shall provide a written copy of the proposed change to all members and alternates at least two weeks in advance of the meeting at which the proposal is to be considered; and
- b. an affirmative vote of two-thirds of the members present and voting at that meeting shall be required for passage.

- o -

29.2709. Council on Student Affairs.

Section 1. The Council on Student Affairs shall consist of 16 members as follows:

a. Eight students to be selected as follows:

- (1) The President of the Undergraduate Student Body (see Rule 53.0701).
- (2) The President of the Women's Self Government Association.
- (3) Two students appointed by the President of the Undergraduate Student Body with the advice and consent of the Student Assembly.
- (4) Two students to be appointed by the President of the Council of Graduate Students with the advice and consent of that Council.

April 4, 1975 meeting, Board of Trustees

Rules for the University Faculty (continued)

29.2709. Council on Student Affairs. (continued)

- (5) One student to be appointed by the Presidents of the Student Councils of the Colleges of Dentistry, Law, Medicine, Optometry, and Veterinary Medicine.
- (6) One representative student appointed by the President of the Freshman Senate from the membership of that body.

The six students appointed shall serve one-year terms but shall be eligible for reappointment.

- o -

\*

\*

\*

II. PERSONNEL ACTIONS

Personnel actions since the March 7, 1975 meeting of the Board, as recorded in the official "Salary Roll" of the University, include the following Appointment, Leaves of Absence Without Salary, and Emeritus Title:

A. Appointment

James L. Golden from Professor, Department of Communication, to Professor and Acting Chairman, Department of Communication, effective April 1, 1975, at a salary of \$26,808 per annum.

B. Leaves of Absence Without Salary

Rudolf F. Ahlswede, Professor, Department of Mathematics, effective April 1, 1975 through June 30, 1975, to serve as Visiting Professor at the Universitat Gottingen, West Germany.

John C. Morrow, Professor, Department of Theatre, effective October 1, 1975 through September 30, 1976, to serve as Visiting Professor at the State University of New York at New Paltz, New York.

C. Emeritus Title

Rodney Mar Hoover, Cooperative Extension Service, with the title Associate Professor Emeritus, effective March 1, 1975.

President Enarson recommended that the Appointment, Leaves of Absence Without Salary, Emeritus Title, and personnel budget actions as recorded in the "Salary Roll" of the University be approved.

Upon motion of Mr. Harrod, seconded by Mr. Hilliker, the Board of Trustees approved the foregoing recommendation by unanimous roll call vote.

\*

\*

\*

April 4, 1975 meeting, Board of Trustees

III. REPORT OF RESEARCH CONTRACTS, GRANTS, GIFTS, AND AGREEMENTS

President Enarson recommended that the following contracts and grants negotiated and monies received for the month of February 1975 be accepted.

Summary for February 1975

	No. of Projects	Support Level
Office of Business and Administration	13	\$1,915,418.81
The Ohio State University Research Foundation	30	1,272,455.50
The Engineering Experiment Station	1	<u>11,000.00</u>
		\$3,198,874.31
	(Donors)	
The Ohio State University Development Fund	2,938	\$ 683,966.85

A detailed listing of the items in each section is shown on the following pages.

Upon motion of Mr. Dunlap, seconded by Mr. Devenow, the research agreements between The Ohio State University and The Ohio State University Research Foundation for the contracts and grants reported herein, and the acceptance of the report from the Office of Business and Administration and The Ohio State University Development Fund, including the establishment of named funds, were approved by unanimous voice vote.



April 4, 1975 meeting, Board of Trustees

III. REPORT OF RESEARCH CONTRACTS, GRANTS, GIFTS, AND AGREEMENTS  
(continued)

A. Office of Business and Administration

1. Federal Contracts/Grants

- a. \$602,435.00 additional grant from Department of Health, Education, and Welfare, National Institute of Education, Washington, D. C., for Vocational Development and Adjustments - Career Planning Support System, under the direction of Center for Vocational and Technical Education, for period February 1, 1975 through January 31, 1976. (Contract No. NE-C-00-3-0079, Modification No. 4)
- b. \$336,693.00 additional grant from Department of Health, Education, and Welfare, National Institute of Education, Washington, D. C., for Cooperative Development of Performance Based Curricular Systems for Vocational Education Personnel, under the direction of Center for Vocational and Technical Education, for period February 1, 1975 through July 31, 1976. (Contract No. NE-C-00-3-0077, Modification No. 4)
- c. \$304,508.00 additional grant from Department of Health, Education, and Welfare, National Institute of Education, Washington, D. C., for Instructional Systems Design, under the direction of Center for Vocational and Technical Education, for period February 1, 1975 through January 31, 1976. (Contract No. NE-C-00-3-0078, Modification No. 5)
- d. \$96,905.00 from Department of Health, Education, and Welfare, Public Health Service, Bethesda, Maryland, for Comparative Pathology - Training Grant, under the direction of Department of Veterinary Pathobiology, for period July 1, 1975 through June 30, 1976. (Grant No. 5 T01 GM01052-13)
- e. \$91,502.00 additional grant from Department of Health, Education, and Welfare, National Institute of Education, Washington, D. C., for Diffusion Strategies for Career Education, under the direction of Center for Vocational and Technical Education, for period February 1, 1975 through October 31, 1975. (Contract No. NE-C-00-3-0080, Modification No. 4)
- f. \$85,992.00 from Department of Health, Education, and Welfare, Public Health Service, Bethesda, Maryland, for Parasitology and Medical Entomology, under the direction of Department of Entomology, for period July 1, 1975 through June 30, 1976. (Grant No. 5 T01 AI00216-15)
- g. \$39,958.00 from Department of Health, Education, and Welfare, Office of Human Development, Rehabilitation Services Administration, Bethesda, Maryland, for Training Model in Speech Pathology and Audiology, under the direction of Department of Communication, for period July 1, 1975 through June 30, 1976. (Grant No. 44-P-81108/5-01)

April 4, 1975 meeting, Board of Trustees

III. REPORT OF RESEARCH CONTRACTS, GRANTS, GIFTS, AND AGREEMENTS  
(continued)

A. Office of Business and Administration (continued)

1. Federal Contracts/Grants (continued)

- h. \$26,460.00 from National Science Foundation, Washington, D. C., for Undergraduate Research Participation, under the direction of Department of Chemistry, for period February 15, 1975 through May 31, 1976. (Proposal/Grant No. EPP75-04644)

TOTAL - Federal Contracts/Grants \$1,584,453.00

2. State of Ohio Contract/Grant

- a. \$1,031.35 additional grant from State of Ohio, Department of Mental Health and Mental Retardation, Division of Mental Retardation and Developmental Disabilities, Columbus, Ohio, for Grants Writing and Financial Assessment Seminar, under the direction of The Nisonger Center, for period October 1, 1974 through June 30, 1975. (Grant No. 75-614)

3. Industrial and Other Contracts/Grants

- a. \$267,000.00 from W. K. Kellogg Foundation, Battle Creek, Michigan, for development of a residency program to provide clinical training needed by faculty members in the newly coordinated undergraduate programs in dietetics, under the direction of School of Allied Medical Professions, for period March 1, 1975 through February 28, 1979.
- b. \$49,974.00 from Sears-Roebuck Foundation, Chicago, Illinois, for further development of officer training and educational program of the "Officer Friendly Program," under the direction of Center for Vocational and Technical Education, for period October 1, 1974 through September 30, 1975.
- c. \$10,106.46 from School District of Philadelphia, Philadelphia, Pennsylvania, for providing a continuing organizational structure to facilitate the development and implementation of career education in the member school districts in the Alliance for Career Education, under the direction of Center for Vocational and Technical Education, for period March 11, 1974 through June 30, 1975. (Contract No. 29)
- d. \$2,854.00 from J. C. Penney Company, Inc., New York, New York, for evaluation of six tests, under the direction of Center for Vocational and Technical Education, for period February 1, 1975 through April 30, 1975.

TOTAL - Industrial and Other Contracts/Grants \$329,934.46

April 4, 1975 meeting, Board of Trustees

III. REPORT OF RESEARCH CONTRACTS, GRANTS, GIFTS, AND AGREEMENTS

(continued)

B. The Ohio State University Research Foundation

1. Federal Research Contracts/Grants

- a. \$179,046.00 from Department of Health, Education, and Welfare, Office of Child Health and Human Development, Washington, D. C., for Structure and Performance of Programs of Child Abuse and Neglect, under the direction of Merston Center for Education in National Security, Office of Graduate School, for period July 1, 1974 through June 30, 1975. (Project 3969-A1 - New)
- b. \$87,739.00 from Department of Health, Education, and Welfare, Public Health Service, National Institutes of Health, National Cancer Institute, Bethesda, Maryland, for Neurooncogenesis by Resorptive Carcinogens, under the direction of Department of Veterinary Pathobiology, College of Veterinary Medicine, for period February 1, 1975 through January 31, 1976. (Project 2762-F - Ext. #6)
- c. \$73,900.00 from National Science Foundation, Washington, D. C., for Silage-Silo Interaction Using Materials Characterization and Finite Element Analysis, under the direction of Department of Civil Engineering, College of Engineering, for period February 1, 1975 through January 31, 1977. (Project 4124-A1 - New)
- d. \$70,438.00 from Department of the Navy, Naval Regional Procurement Office, Newport, Rhode Island, for Improved Direction Finding ECM System, under the direction of ElectroScience Laboratory, Department of Electrical Engineering, for period January 3, 1975 through September 1, 1975. (Project 4111-A1 - New)
- e. \$61,500.00 from National Science Foundation, Washington, D. C., for Building Environmental Control Systems for Energy Conservation, under the direction of Department of Mechanical Engineering, College of Engineering, for period February 15, 1973 through August 31, 1975. (Project 3642-A1 - NSF Letter Dated February 10, 1975)
- f. \$50,000.00 from United States Energy Research and Development Administration, Argonne, Illinois, for Corrosion, Stress Corrosion Cracking, and Electrochemistry of the Iron and Nickel Base Alloys in Caustic Environments, under the direction of Department of Metallurgical Engineering, College of Engineering, for period March 1, 1975 through February 29, 1976. (Project 3886-A2 - Mod. #1)

April 4, 1975 meeting, Board of Trustees

III. REPORT OF RESEARCH CONTRACTS, GRANTS, GIFTS, AND AGREEMENTS  
(continued)

B. The Ohio State University Research Foundation (continued)

1. Federal Research Contracts/Grants (continued)

- g. \$50,000.00 from Environmental Protection Agency, National Environmental Research Center, Research Triangle Park, North Carolina, for Mechanisms of Photochemically Initiated Oxidations, under the direction of Department of Chemistry, College of Mathematics and Physical Sciences, for period January 1, 1975 through December 31, 1975. (Project 1220-P - Ext. #14)
- h. \$43,773.00 from National Endowment for the Humanities, Washington, D. C., for Russian Formalism, Structuralism, and Common Sense, under the direction of Department of Slavic Languages and Literatures, College of Humanities, for period January 1, 1975 through September 30, 1975. (Project 4114-A1 - New)
- i. \$39,971.00 from Department of the Air Force, Air Force Office of Scientific Research, Arlington, Virginia, for Ignition, Combustion, Detonation and Arresting of Unconfined and Confined Reactive Mixtures, under the direction of Department of Aeronautical and Astronautical Engineering, College of Engineering, for period April 1, 1973 through March 31, 1976. (Project 3641-A1 - Mod. #AFOSR-73-2511B)
- j. \$39,473.00 from National Endowment for the Humanities, Washington, D. C., for Music in Medieval Life and Culture: 1100-1400, under the direction of School of Music, College of The Arts, for period January 1, 1975 through September 30, 1975. (Project 4095-A1 - New)
- k. \$39,024.00 from National Endowment for the Humanities, Washington, D. C., for Tragic and Comic Forms in the Novel, under the direction of Department of English, College of Humanities, for period January 1, 1975 through September 30, 1975. (Project 4113-A1 - New)
- l. \$38,251.00 from Department of Health, Education, and Welfare, Public Health Service, National Institutes of Health, National Institute of General Medical Sciences, Bethesda, Maryland, for the Role of  $\alpha$ -Lactalbumin in Lactose Biosynthesis, under the direction of Department of Chemistry, College of Mathematics and Physical Sciences, for period March 1, 1975 through February 29, 1976. (Project 4128-A1 - New)
- m. \$34,996.00 from Department of the Air Force, Rome Air Development Center (AFSC), Griffiss Air Force Base, New York, for Research Effort in Atmospheric Propagation, under the direction of ElectroScience Laboratory, Department of Electrical Engineering, College of Engineering, for period December 1, 1974 through June 1, 1975. (Project 4097-A1 - New)

April 4, 1975 meeting, Board of Trustees

III. REPORT OF RESEARCH CONTRACTS, GRANTS, GIFTS, AND AGREEMENTS

(continued)

B. The Ohio State University Research Foundation (continued)

1. Federal Research Contracts/Grants (continued)

- n. \$32,000.00 from Department of the Navy, Office of Naval Research, Arlington, Virginia, for Alloy Corrosion - Fundamental Studies of Dissolution and Passivity of Alloys and Compounds, under the direction of Department of Metallurgical Engineering, College of Engineering, for period March 1, 1975 through February 29, 1976. (Project 4131-A1 - New)
- o. \$31,100.00 from Department of Health, Education, and Welfare, Public Health Service, National Institutes of Health, National Cancer Institute, Bethesda, Maryland, for Research on Preparation of Polymers Containing Carcinogenic Moieties, under the direction of Department of Chemistry, College of Mathematics and Physical Sciences, for period January 11, 1974 through January 10, 1976. (Project 3870-A1 - Mod. #1)
- p. \$30,054.00 from Department of the Navy, Office of Naval Research, Arlington, Virginia, for Welding Fluxes - Optimization of Performance of Arc Welding Using Fluxes for Joining HY100 and HY130 KPSI in Ship Structures, under the direction of Department of Welding Engineering, College of Engineering, for period February 1, 1975 through January 31, 1976. (Project 4125-A1 - New)
- q. \$20,000.00 additional funds from Department of the Army, United States Army Research Office - Durham, Durham, North Carolina, for Stimulated Raman Scattering in Methane with Nd:YAG Pump, under the direction of ElectroScience Laboratory, Department of Electrical Engineering, College of Engineering. (Project 3869-A1 - Sponsor Letter Dated January 20, 1975)
- r. \$19,986.00 from Department of the Air Force, Air Force Special Weapons Center (AFSC), Kirtland Air Force Base, New Mexico, for Computer Code for Aircraft Currents (Pr FY 3592-75-10135), under the direction of ElectroScience Laboratory, Department of Electrical Engineering, College of Engineering, for period February 18, 1975 through August 8, 1975. (Project 4138-A1 - New)
- s. \$8,400.00 from U. S. Civil Service Commission, Washington, D. C., for Negotiation Techniques in Contract Prices, under the direction of Division of Continuing Education, College of Administrative Science, for period February 18, 1975 through December 30, 1975. (Project 4033-K1 - New)

April 4, 1975 meeting, Board of Trustees

III. REPORT OF RESEARCH CONTRACTS, GRANTS, GIFTS, AND AGREEMENTS  
(continued)

B. The Ohio State University Research Foundation (continued)

1. Federal Research Contracts/Grants (continued)

- t. \$6,824.00 additional funds from Department of Transportation, Federal Highway Administration, Washington, D. C., for Field Test and Evaluation Center for Eastern States, under the direction of Engineering Experiment Station, College of Engineering. (Project 3535-A1 - Mod. #8)
- u. \$1,012.50 from U. S. Civil Service Commission, Washington, D. C., for Intergovernmental Training Program - Various Courses, under the direction of Division of Continuing Education - Logistics Management Advancement Program (LOG/MAP), College of Administrative Science, for period February 3, 1975 through February 7, 1975. (Project 4033-J1 - New)

TOTAL - Federal Research Contracts/Grants \$957,487.50

2. State of Ohio Research Contracts/Grants

- a. \$78,658.00 from Ohio Department of Health and Mental Retardation, Columbus, Ohio, for Evaluation of Forensic Psychiatric Centers in Ohio, under the direction of School of Public Administration, College of Administrative Science, for period October 1, 1974 through September 30, 1975. (Project 4045-A1 - New)
- b. \$47,705.00 from Ohio Department of Health and Mental Retardation, Columbus, Ohio, for The Diagnosis and Treatment in Psychiatric In-patients: An Alternative to Institutionalization, under the direction of Department of Psychiatry, College of Medicine, for period July 1, 1974 through June 30, 1975. (Project 3753-A2 - Contract Approved by Controlling Board Dated February 10, 1975)
- c. \$42,170.00 from Ohio Department of Health and Mental Retardation, Columbus, Ohio, for Monitoring of Community Concerns and Resources, under the direction of School of Nursing, College of Medicine, for period July 1, 1974 through June 30, 1975. (Project 3802-A2 - Contract Approved by Controlling Board Dated February 10, 1975)
- d. \$2,288.00 from Department of Economic and Community Development, State of Ohio, Administration of Justice Division, Columbus, Ohio, for Command Decision-Making Seminar for Law Enforcement Officials, under the direction of School of Public Administration, College of Administrative Science, for period January 1, 1975 through June 30, 1975. (Project 4126-A1 - New)

TOTAL - State of Ohio Research Contracts/Grants \$170,821.00

April 4, 1975 meeting, Board of Trustees

III. REPORT OF RESEARCH CONTRACTS, GRANTS, GIFTS, AND AGREEMENTS  
(continued)

B. The Ohio State University Research Foundation (continued)

3. Industrial, Subcontracts/Grants and Other  
Non-Federal Research Contracts/Grants

- a. \$100,000.00 from Sandoz-Wander, Inc., East Hanover, New Jersey, for Immunological Studies of Reproductive Hormones, under the direction of Department of Obstetrics and Gynecology, College of Medicine, for period February 1, 1975 through January 31, 1976. (Project 4127-A1 - New)
- b. \$35,000.00 from The Toledo Edison Company, Toledo, Ohio, for Fish Movements Into Power Plant Intake Structures on Maumee River, Ohio, under the direction of Biological Sciences Administration, College of Biological Sciences, for period January 1, 1975 through March 31, 1977. (Project 4133-A1 - New)
- c. \$5,000.00 from Lilly Endowment, Inc., Indianapolis, Indiana, for An Analysis of the Leadership and Service Roles of the Wives of University Presidents, under the direction of Mershon Center for Education in National Security, Office of Graduate School, for period January 1, 1975 through December 31, 1975. (Project 4130-A1 - New)
- d. \$3,582.00 from Hoechst-Roussel Pharmaceuticals, Inc., Sumnerville, New Jersey, for The Use of Furosemide for Treating Epistaxis in Horses, under the direction of Department of Veterinary Physiology and Pharmacology, College of Veterinary Medicine, for period February 1, 1975 through July 31, 1975. (Project 4137-A - New)
- e. \$565.00 from Max McGraw Wildlife Foundation, Dundee, Illinois, for Population Analysis of a Great Blue Heron Colony, under the direction of Department of Zoology, College of Biological Sciences, for period February 1, 1975 through December 31, 1975. (Project 4135-A1 - New)

TOTAL - Industrial, Subcontracts/Grants and Other  
Non-Federal Research Contracts/Grants \$144,147.00

C. The Engineering Experiment Station

1. State of Ohio Research Contract

- a. \$11,000.00 from State of Ohio, Department of Economic and Community Development, Columbus, Ohio, for Comprehensive Planning Assistance to the City of Bryan, Ohio, under the direction of School of Architecture, for period December 16, 1974 through June 30, 1975. (EES 505)

III. REPORT OF RESEARCH CONTRACTS, GRANTS, GIFTS, AND AGREEMENTS  
(continued)

D. The Ohio State University Development Fund

1. Gifts of \$5,000 or More

- a. \$47,000.00 from E. I. du Pont de Nemours & Company, Wilmington, Delaware--\$23,000.00 for Mechanical Engineering, to be used at the discretion of the Chairman; \$15,000.00 for research in Chemistry; and \$9,000.00 for research in Chemical Engineering.
- b. \$46,000.00 from Eli Lilly and Company, Indianapolis, Indiana, for infectious disease research.
- c. \$30,000.00 from The F. & R. Lazarus & Company, Columbus, Ohio--\$15,000.00 for the Robert Lazarus Student Loan Fund and \$15,000.00 for the University Activities Center.
- d. \$28,960.78 from The Associates of Medicine, Columbus, Ohio--\$28,489.78 for their continued support of the Department of Medicine General Fund and \$471.00 for support of Cardiology research.
- e. \$8,000.00 from Union Carbide Corporation, New York, New York--\$4,000.00 for their named fellowship in Welding Engineering and \$4,000.00 for their named fellowship and grant-in-aid fund in Chemical Engineering.
- f. \$7,500.00 from Pitman-Moore, Inc., Washington Crossing, New Jersey, for infectious disease research in the Department of Veterinary Pathobiology in the College of Veterinary Medicine.
- g. \$6,936.38 from Ohio Florists Association, Columbus, Ohio--\$3,390.54 for a fellowship fund in Horticulture; \$2,045.84 to be used by the College of Agriculture and Home Economics for the advancement of Horticulture insofar as it relates to the study of pot plants through research, scholarships, and such other means as may be deemed practical and appropriate; and \$1,500.00 for a scholarship fund.
- h. \$6,666.65 from State Automobile Mutual Insurance Company, Columbus, Ohio, for the University Activities Center.
- i. \$5,250.00 from American Foundation for Pharmaceutical Education, Fair Lawn, New Jersey, for their fellowship fund.
- j. \$5,000.00 from Lybrand Foundation, New York, New York, to support one or more Ph. D. dissertations in Accounting in amounts to be determined by the Chairman and Dean.
- k. \$5,000.00 from Trust Under the Account of Alice B. Pressey, Columbus, Ohio, for a new University Honors Fund to support the work with honors education in the Colleges of the Arts and Sciences.



III. REPORT OF RESEARCH CONTRACTS, GRANTS, GIFTS, AND AGREEMENTS

(continued)

D. The Ohio State University Development Fund (continued)

2. Establishment of Named Funds

- a. \$25,000.00 from Estate of Hazel L. Stephenson for the establishment of The Edward C. and Hazel L. Stephenson Fund.

The Edward C. and Hazel L. Stephenson Fund

The Edward C. and Hazel L. Stephenson Fund was established April 4, 1975, by the Board of Trustees of The Ohio State University with a bequest to The Ohio State University through The Ohio State University Development Fund from the Estate of Hazel L. Stephenson, deceased, late of Grosse Pointe Woods, Michigan.

All gifts are to be invested in the University's Permanent Endowment Fund, under the rules and regulations adopted by the Board of Trustees of The Ohio State University, with the right to invest and reinvest as occasion dictates.

The annual income and/or principal is to be used for scholarship house purposes.

If, under the conditions existing at the time of payment of the bequest, it appears that such use would be unnecessary or inappropriate to the purposes and objectives of the Development Fund, this bequest may be applied to other purposes of the Fund, with preference to scholarships for deserving students of the University.

- b. \$10,232.00 from friends and colleagues of Samuel Saslaw for the establishment of The Samuel Saslaw Endowment Fund.

The Samuel Saslaw Endowment Fund

The Samuel Saslaw Endowment Fund was established April 4, 1975, by the Board of Trustees of The Ohio State University with gifts to The Ohio State University Development Fund from friends and colleagues in memory of Samuel Saslaw, Ph. D. '42, M. D. '46.

All gifts are to be invested in the University's Permanent Endowment under the rules and regulations adopted by the Board of Trustees of The Ohio State University, with the right to invest and reinvest as occasion dictates.

III. REPORT OF RESEARCH CONTRACTS, GRANTS, GIFTS, AND AGREEMENTS  
(continued)

D. The Ohio State University Development Fund (continued)

2. Establishment of Named Funds (continued)

b. The Samuel Saslaw Endowment Fund (continued)

The annual income is to be used to support continuing medical education programs, lectureships in infectious diseases and an endowed professorship or faculty chair if sufficient gifts are received. Requests for expenditure of funds will be initiated and approved by the dean of the College of Medicine.

Should the need for these funds cease to exist or so diminish as to provide unused income, then the income may be used for any purpose whatsoever as determined by the Board of Trustees, with preference being given to recommendations from the appropriate administrative official of the University who is directly responsible for medical education.

\*

\*

\*

IV. BUSINESS AND ADMINISTRATION

A. Plans and Specifications

At the request of the Vice President for Business and Administration, President Enarson recommended that the plans and specifications, bills of material and estimates of cost for the following projects be approved by the Board of Trustees:

1. Tunnel Repairs and Sidewalk Extension - Oval

This project will provide for the repair of two deteriorated sections of tunnel and extend the width of the concrete sidewalk. The sidewalk will be of aggregate (exposed) to distinguish location from North Oval to South Oval to facilitate travel of blind students.

Funds are budgeted in Budget Account 126070 (Contract Repair).

2. Watts Hall, Repairs and Modifications to Ventilation Systems

This project will include heating modifications and installation of devices and material as required to comply with the present Ohio Building Code requirements, and an improvement will be made in the air circulation systems. Also the fire safety will be updated by provision of fire dampers, fire-stats, and smoke detectors.

April 4, 1975 meeting, Board of Trustees

IV. BUSINESS AND ADMINISTRATION (continued)

A. Plans and Specifications (continued)

2. Watts Hall, Repairs and Modifications to Ventilation Systems (continued)

Funds are budgeted in Budget Account 126070 (Contract Repair).

Upon motion of Mr. Devenow, seconded by Mr. Gushman, the above recommendations were approved by unanimous roll call vote, and the Secretary was authorized and directed to sign the plans and specifications for the above projects for and on behalf of the Board of Trustees. The Vice President for Business and Administration was directed to proceed with the request for bids in the normal University manner, and if satisfactory bids are received to proceed with the award of contracts. All action regarding this matter will be reported to the Board of Trustees at a later meeting.

B. Report of Award of Contracts

In accordance with authorization provided by the Board of Trustees, bids were taken on the projects listed below and the contracts were recommended for award. The action reported to the Board was as follows:

1. Mansfield Campus, Phase IV

	<u>Low Bid</u>	<u>Est. of Cost</u>
<u>General Contract</u>		
(3 bids received 3-6-75, Rebid)		
Weithman and Sons, Contractors (Galion, Ohio)		
Base bid	\$1,645,000.00*	\$1,600,000.00
Alt. G-1 Additional bay to Vehicle Maintenance Building	+ 16,000.00	+ 20,000.00
Alt. G-2 Elevator shaft in T. E. L. Building	+ 4,000.00	+ 6,000.00
Alt. G-5 2 ft. x 4 ft. grid system	- 5,800.00	- 4,000.00
Total Contract	<u>\$1,659,200.00</u>	<u>\$1,622,000.00</u>
<u>Plumbing Contract</u>		
(5 bids received 2-6-75)		
Guenther Plumbing & Heating (Ashland, Ohio)		
Base bid	\$ 187,440.00	\$ 260,000.00
Alt. P-1 Plumbing work for additional bay to Vehicle Maintenance Building	+ 1,055.00	+ 1,150.00
Total Contract	<u>\$ 188,495.00</u>	<u>\$ 261,150.00</u>

\*It is recommended that the Controlling Board approve the General Contract even though the bids exceed the estimate of cost. It is believed that no better bids would be received by re-advertising. Total of all bids within construction estimate.

April 4, 1975 meeting, Board of Trustees

IV. BUSINESS AND ADMINISTRATION (continued)

B. Report of Award of Contracts (continued)

1. Mansfield Campus, Phase IV (continued)

	<u>Low Bid</u>	<u>Est. of Cost</u>
<u>Heating, Ventilating and Air Conditioning Contract</u> (7 bids received 3-6-75, Rebid) The Charles Hoffman Company (Mansfield, Ohio)		
Base bid	\$ 634,841.00	\$ 690,000.00
Alt. HVAC-1 HVAC work for additional bay to Vehicle Maintenance Building	+ 1,164.00	+ 2,000.00
Total Contract	<u>\$ 636,005.00</u>	<u>\$ 692,000.00</u>
<u>Electrical Contract</u> (3 bids received 3-6-75, Rebid) Atlas Electrical Construction (Elyria, Ohio)		
Base bid	\$ 458,892.00	\$ 470,000.00
Alt. E-1 Electric work for additional bay to Vehicle Maintenance Building	+ 1,550.00	+ 2,500.00
Alt. E-2 Additional electric work for future elevator equipment	+ 1,900.00	+ 1,500.00
Alt. E-6 Intermediate grade galvanized conduit in lieu of heavy conduit	- 1,400.00	- 800.00
Total Contract	<u>\$ 460,942.00</u>	<u>\$ 473,200.00</u>
<u>Laboratory Equipment Contract</u> (2 bids received 2-6-75) Kewaunee Technical Furniture (Statesville, North Carolina)		
	\$ 103,085.00	\$ 105,000.00
<u>Total All Contracts</u>	<u>\$3,047,727.00</u>	<u>\$3,153,350.00</u>

Funds for this project have been provided from H. B. 985, Item 315-082, and H. B. 988, Item 315-082 (Mansfield Branch, Ohio State University, in cooperation with North Central Ohio Technical College).

April 4, 1975 meeting, Board of Trustees

IV. BUSINESS AND ADMINISTRATION (continued)

B. Report of Award of Contracts (continued)

2. Recreation, Physical Education, Intramural Facilities -  
Dispersed Facilities

	<u>Low Bid</u>	<u>Est. of Cost</u>
<u>General Contract</u> (4 bids received 3-10-75) Payt Construction Company (Columbus)		
Base bid	\$ 917,700.00	\$1,115,400.00
Substitute: Earth fill in lieu of gravel	- 7,500.00	-
Total Contract	<u>\$ 910,200.00</u>	<u>\$1,115,400.00</u>
<u>Heating and Ventilating Contract</u> (3 bids received 3-10-75) Julian Speer Company (Columbus)		
	<u>\$ 16,010.00</u>	<u>\$ 36,000.00</u>
<u>Plumbing Contract</u> (2 bids received 3-10-75) Julian Speer Company (Columbus)		
	<u>\$ 35,100.00*</u>	<u>\$ 27,200.00</u>
<u>Electrical Contract</u> (4 bids received 3-10-75) Electric Power Equipment Co. (Columbus)		
	<u>\$ 104,168.00</u>	<u>\$ 171,400.00</u>
<u>Total All Contracts</u>	<u>\$1,065,478.00</u>	<u>\$1,350,000.00</u>

Funds for this project have been provided from H. B. 985, Item 315-081 (Recreation, Physical Education, Intramural Facilities), and Budget Account 801295 (Gifts).

\*Plumbing Contract exceeded estimate of cost, but it is believed that no better bids would be received by re-advertising. It is recommended that Controlling Board approval be obtained. Total of all bids within construction estimate.

April 4, 1975 meeting, Board of Trustees

IV. BUSINESS AND ADMINISTRATION (continued)

B. Report of Award of Contracts (continued)

3. Starling Loving Hall, Remodeling for the College of Optometry

	<u>Low Bid</u>	<u>Est. of Cost</u>
<u>General Contract</u>		
(1 bid received 3-19-75, Rebid)		
Henry A. Justus, Inc. (Columbus)		
Base bid	\$ 511,400.00*	\$ 521,000.00
Alt. G-1 Work on 5th floor	+ 39,000.00	+ 30,400.00
Alt. G-2 Work on basement	+ 50,000.00	+ 40,400.00
Total Contract	<u>\$ 600,400.00</u>	<u>\$ 591,800.00</u>
<u>Plumbing Contract</u>		
(3 bids received 3-19-75, Rebid)		
Westland Mechanical Corporation (Columbus)		
Base bid	\$ 63,400.00	\$ 74,000.00
Alt. P-1 Work on 5th floor	+ 6,250.00	+ 5,500.00
Alt. P-2 Work on basement	+ 5,200.00	+ 10,900.00
Total Contract	<u>\$ 74,850.00</u>	<u>\$ 90,400.00</u>
<u>Heating, Ventilating and Air Conditioning Contract</u>		
(4 bids received 3-19-75, Rebid)		
Morris Sheet Metal, Inc. (Columbus)		
Base bid	\$ 216,000.00	\$ 227,000.00
Alt. M-1 Work on 5th floor	+ 14,200.00	+ 15,200.00
Alt. M-2 Work on basement	+ 13,100.00	+ 25,300.00
Total Contract	<u>\$ 243,300.00</u>	<u>\$ 267,500.00</u>

\*The General Contract base bid is under the estimate; however, with the addition of Alternate G-1 and Alternate G-2, the total General Contract exceeds the estimate of cost. The award total of all contracts is under the estimated cost for the work involved. It is recommended that Controlling Board approval be obtained, since it is believed that no better bids would be obtained by readvertising.

April 4, 1975 meeting, Board of Trustees

IV. BUSINESS AND ADMINISTRATION (continued)

B. Report of Award of Contracts (continued)

3. Starling Loving Hall, Remodeling for the College of Optometry (continued)

	<u>Low Bid</u>	<u>Est. of Cost</u>
<u>Electrical Contract</u> (5 bids received 3-19-75, Rebid) Jess Howard Electric Co. (Columbus)		
Base bid	\$ 213,500.00	\$ 222,000.00
Alt. E-1 Work on 5th floor	+ 11,000.00	+ 11,500.00
Alt. E-2 Work on basement	+ 16,000.00	+ 15,200.00
Total Contract	<u>\$ 240,500.00</u>	<u>\$ 248,700.00</u>
<u>Total All Contracts</u>	<u>\$1,159,050.00</u>	<u>\$1,198,400.00</u>

Funds have been provided in H.B. 985, Item 315-071 (College of Optometry), and Budget Account 801230 (Optometry Addition).

4. Main Library Addition

	<u>Low Bid</u>	<u>Est. of Cost</u>
<u>General Contract</u> (4 bids received 3-17-75) Frank Messer & Son (Cincinnati, Ohio)	<u>\$1,859,760.00</u>	<u>\$1,983,785.00</u>
<u>Library Equipment Contract</u> (1 bid received 3-17-75) Estey Corporation (Red Bank, New Jersey)	<u>\$ 214,882.00*</u>	<u>\$ 171,600.00</u>
<u>Plumbing Contract</u> (4 bids received 3-17-75) J. A. Croson Plumbing & Heating (Columbus)	<u>\$ 71,302.00*</u>	<u>\$ 50,000.00</u>

\*The Library Equipment Contract and Plumbing Contract exceeded the estimates. It is recommended that Controlling Board approval be obtained to award those contracts, since it is believed that no better bids would be obtained by readvertising. Total of all bids within funds available for the project.

April 4, 1975 meeting, Board of Trustees

IV. BUSINESS AND ADMINISTRATION (continued)

B. Report of Award of Contracts (continued)

4. Main Library Addition (continued)

	<u>Low Bid</u>	<u>Est. of Cost</u>
<u>Fire Protection Contract</u> (6 bids received 3-17-75)		
Capital Fire Protection (Columbus)	\$ 55,802.00	\$ 74,400.00
<u>Heating, Ventilating and Air Conditioning Contract</u> (3 bids received 3-17-75)		
J. A. Croson Plumbing & Heating (Columbus)	\$ 520,000.00*	\$ 409,990.00
<u>Electrical Contract</u> (2 bids received 3-17-75)		
Electric Power Equipment Co. (Columbus)	\$ 580,402.00	\$ 583,700.00
<u>Total All Contracts</u>	<u>\$3,302,148.00</u>	<u>\$3,273,475.00</u>

Funds have been provided in H. B. 985, Item 315-079 (Main Library Addition).

\*The Heating, Ventilating and Air Conditioning Contract exceeded the estimate. It is recommended that Controlling Board approval be obtained to award this contract, since it is believed that no better bids would be obtained by readvertising. Total of all bids within funds available for the project.

5. Marion Campus, Phase II

	<u>Low Bid</u>	<u>Est. of Cost</u>
<u>General Contract</u> (11 bids received 3-25-75)		
Kokosing Construction Co. (Fredericktown, Ohio)		
Base bid	\$ 866,000.00	\$1,021,480.00
Alt. G-1 Add'l Fluid Power Room	+ 14,300.00	+ 38,000.00
Alt. G-2 Add'l Student Lounge - Recreation Room	+ 15,000.00	+ 32,500.00
Alt. G-3 Add'l Sales/Marketing Room	+ 17,000.00	+ 33,500.00
Alt. G-4 Add'l classroom	+ 17,000.00	+ 28,500.00



April 4, 1975 meeting, Board of Trustees

IV. BUSINESS AND ADMINISTRATION (continued)

B. Report of Award of Contracts (continued)

5. Marion Campus, Phase II (continued)

	<u>Low Bid</u>	<u>Est. of Cost</u>
<u>General Contract</u> (continued)		
Brought Forward	\$ 929,300.00	\$1,153,980.00
Alt. G-5 Add'l alterations to exist- ing building	+ 26,500.00	+ 18,000.00
Alt. G-6 Landscape planting	+ 7,400.00	+ 5,000.00
Alt. G-8 Patio work (companion to Alt. G-2)	+ 9,500.00	+ 6,000.00
Total Contract	<u>\$ 972,700.00</u>	<u>\$1,182,980.00</u>
<u>Plumbing Contract</u> (4 bids received 3-25-75)		
Carl's Plumbing & Heating Co. (Marion, Ohio)		
Base bid	\$ 80,710.00	\$ 140,000.00
Alt. P-1 Add'l Fluid Power Room	+ 724.00	+ 838.00
Alt. P-3 Add'l Sales/Marketing Room	+ 1,041.00	+ 285.00
Alt. P-5 Add'l alterations to exist- ing building	+ 1,702.00	+ 5,000.00
Total Contract	<u>\$ 84,177.00</u>	<u>\$ 146,123.00</u>
<u>Heating, Ventilating and Air Conditioning Contract</u> (6 bids received 3-25-75)		
J. A. Guy, Inc. (Dublin, Ohio)		
Base bid	\$ 297,000.00	\$ 315,920.00
Alt. M-1 Add'l HVAC for Fluid Power Room	+ 4,300.00	+ 4,500.00
Alt. M-2 Add'l HVAC for Student Lounge - Recreation Room	+ 5,200.00	+ 4,500.00
Alt. M-3 Add'l HVAC for Sales/ Marketing Room	+ 3,700.00	+ 4,500.00
Alt. M-4 Add'l HVAC for class- room	+ 3,600.00	+ 8,000.00
Alt. M-5 Add'l HVAC alterations to existing building	+ 850.00	+ 2,500.00
Alt. M-6 Electric boiler	+ 5,700.00	+ 10,000.00
Total Contract	<u>\$ 320,350.00</u>	<u>\$ 349,920.00</u>

April 4, 1975 meeting, Board of Trustees

IV. BUSINESS AND ADMINISTRATION (continued)

B. Report of Award of Contracts (continued)

5. Marion Campus, Phase II (continued)

	<u>Low Bid</u>	<u>Est. of Cost</u>
<u>Electrical Contract</u>		
(5 bids received 3-25-75)		
Atlas Electrical Construction Co.		
(Elyria, Ohio)		
Base bid	\$ 179,428.00	\$ 241,100.00
Alt. E-1 Add'l electrical for Fluid Power Room	+ 1,960.00	+ 2,450.00
Alt. E-2 Add'l electrical for Student Lounge - Recreation Room	+ 1,242.00	+ 3,550.00
Alt. E-3 Add'l electrical for Sales/Marketing Room	+ 1,870.00	+ 4,100.00
Alt. E-4 Add'l electrical for classroom	+ 1,658.00	+ 5,270.00
Alt. E-5 Add'l electrical alterations to existing building	+ 840.00	+ 2,500.00
Alt. E-6 Electric boiler work	+ 968.00	+ 850.00
Alt. E-7 Lightning protection	+ 2,600.00	+ 3,500.00
Alt. E-8 Power transformer capacity	+ 1,570.00	+ 5,000.00
	<u>\$ 192,136.00</u>	<u>\$ 268,320.00</u>
 <u>Prefabricated Casework Contract</u>		
(5 bids received 3-25-75)		
Farnham Equipment Co.		
(Greenville, Ohio)		
Base bid	\$ 48,890.00	\$ 68,000.00
Alt. PC-1 Add'l Fluid Power Room Revised Cabinets	No Charge	No Charge
Alt. PC-3 Add'l Sales/Management Room Cabinets	+ 3,457.00	+ 4,500.00
Alt. PC-5 Add'l casework, existing building	+ 3,133.00	+ 2,000.00
	<u>\$ 55,480.00</u>	<u>\$ 74,500.00</u>
 <u>Laboratory Equipment Contract</u>		
(1 bid received 3-25-75)		
Freeman Supply Co. (Toledo, Ohio)	\$ 16,604.00*	\$ 13,500.00
<u>Total All Contracts</u>	<u>\$1,641,447.00</u>	<u>\$2,035,343.00</u>

\*The bid for Laboratory Equipment exceeded the estimate of cost. It is recommended that Controlling Board approval be obtained to award the contract, since it is believed that no better bids would be obtained by readvertising. Total of all bids within construction estimate.

April 4, 1975 meeting, Board of Trustees

IV. BUSINESS AND ADMINISTRATION (continued)

B. Report of Award of Contracts (continued)

5. Marion Campus, Phase II (continued)

Funds for this project have been provided from H. B. 985, Item 315-088, and H. B. 988, Item 359-001 (The Ohio State University, in cooperation with Marion Technical College).

6. Royer Commons, Remodeling (Phase I)

	<u>Low Bid</u>	<u>Est. of Cost</u>
<u>Heating, Ventilating and Air Conditioning Contract</u> (7 bids received 3-4-75)		
Farber Corporation (Columbus)	\$ 22,600.00	\$ 37,717.00
<u>Electric Contract</u> (5 bids received 3-4-75)		
Electric Power Equipment Co. (Columbus)	<u>12,791.00</u>	<u>14,320.00</u>
<u>Total All Contracts</u>	<u>\$ 35,391.00</u>	<u>\$ 52,037.00</u>

Funds for this project have been provided in Budget Account 998295 (Dorm Contingency Fund).

7. McCracken Power Plant, Masonry Repairs to Stacks

	<u>Low Bid</u>	<u>Est. of Cost</u>
<u>General Contract</u> (1 bid received 3-18-75)		
International Chimney Corporation (Buffalo, New York)		
Base bid	\$ 39,353.00	\$ 45,000.00
Alt. G-1 Repair north stack	+ <u>22,940.00</u>	+ <u>28,845.00</u>
Total Contract	<u>\$ 62,293.00</u>	<u>\$ 73,845.00</u>

Funds for this project have been provided in Budget Account 126070 (Contract Repair).

8. Utility Tunnel, Structural Repairs (19th Avenue to Haskett Hall)

	<u>Low Bid</u>	<u>Est. of Cost</u>
<u>General Contract</u> (10 bids received 3-19-75)		
George H. Moor & Sons (Columbus)	\$ 23,513.00	\$ 23,914.00

Funds for this project have been provided in Budget Account 126070 (Contract Repair).

April 4, 1975 meeting, Board of Trustees

IV. BUSINESS AND ADMINISTRATION (continued)

B. Report of Award of Contracts (continued)

9. Ives Hall, East Wing--Exterior Masonry Repair

	<u>Low Bid</u>	<u>Est. of Cost</u>
<u>General Contract</u> (6 bids received 3-19-75) Edward A. Werner Maintenance, Inc. (Columbus)	\$ 15,160.00	\$ 30,865.00

Funds for this project have been provided in Budget Account 126070  
(Contract Repair).

10. B & Z Building, 1735 Neil Avenue, Exterior  
Masonry and Window Replacement

	<u>Low Bid</u>	<u>Est. of Cost</u>
<u>General Contract</u> (4 bids received 3-21-75, Rebid) Raymond E. Kelley, Inc. (Bowmansville, New York)		
Base bid	\$ 40,100.00	\$ 44,977.00
Alt. G-1 Remove and replace 15 windows, third floor west elevation	+ 4,700.00	+ 3,750.00
Total Contract	<u>\$ 44,800.00</u>	<u>\$ 48,727.00</u>

Funds for this project have been provided in Budget Account 126070  
(Contract Repair).

11. University Hospital, Air Conditioning Improvement

	<u>Low Bid</u>	<u>Est. of Cost</u>
<u>Heating, Ventilating and Air Conditioning Contract</u> (5 bids received 3-20-75) Limbach Company (Columbus)		
Base bid	\$ 147,900.00	\$ 165,600.00
Alt. M-2 Cooling tower louvered visual screen	+ 11,900.00	+ 13,000.00
Total Contract	<u>\$ 159,800.00</u>	<u>\$ 178,600.00</u>

April 4, 1975 meeting, Board of Trustees

IV. BUSINESS AND ADMINISTRATION (continued)

B. Report of Award of Contracts (continued)

11. University Hospital, Air Conditioning Improvement (continued)

	<u>Low Bid</u>	<u>Est. of Cost</u>
<u>Electrical Contract</u> (4 bids received 3-20-75) Electric Power Equipment Co. (Columbus)	\$ 80,211.00	\$ 104,400.00
<u>Total All Contracts</u>	<u>\$ 240,011.00</u>	<u>\$ 283,000.00</u>

Funds for this project have been provided in Budget Account 801298 (University Hospital Rotary).

Upon motion of Mr. Hilliker, seconded by Mr. Harrod, the above award of contracts and expenditure of funds were approved, and the action of the Vice President for Business and Administration was ratified by unanimous roll call vote.

C. Other

1. Pipeline Easement - Mansfield Regional Campus

The University has received a request from the Cyclops Corporation for a fifteen-foot easement across University land at The Ohio State University's Mansfield Regional Campus. The purpose of this easement is to install a four-inch privately owned natural gas pipeline to service the Empire-Detroit Steel Division in Mansfield. The length of pipeline on University property is 7,889.37 feet.

It was recommended that the President and/or Vice President for Business and Administration be authorized to negotiate this easement at a fair market value, and request the Director of Administrative Services Division, pursuant to his statutory duties, to act on behalf of the University in developing the legal instruments providing a fifteen-year easement to the Cyclops Corporation.

Upon motion of Mr. Dunlap, seconded by Mr. Hilliker, the above recommendation was approved by unanimous roll call vote.

D. Report of Controlling Board Actions Pertaining to The Ohio State University

- 15 Approves the release of \$68,390.10 from H. B. 985, Item 315-074 (Utilities and Renovation), for architect's services through receipt of bids to cover the cost of special and schematic design studies for the project known as "Lincoln Tower Alterations."

April 4, 1975 meeting, Board of Trustees

IV. BUSINESS AND ADMINISTRATION (continued)

D. Report of Controlling Board Actions Pertaining to The Ohio State University (continued)

- 19 Approves the release of construction funds for Newark Campus - Phase II in the amount of \$1,811,350.00 from H.B. 985, Item 315-085 (Newark Campus - Phase II), for the award of the General, Plumbing, Heating, Ventilating, and Air Conditioning, and Electrical Contracts.

\*

\*

\*

V. REPORTS

A. Report on Action Taken by Ohio Board of Regents

President Enarson reported that the Ohio Board of Regents at its meeting on February 21, 1975, approved the

Awarding of the Bachelor of Science in Surveying degree by The Ohio State University.

B. Report of Auditor of State - The Ohio State University Hospitals

Mr. Devenow presented the following report on behalf of the Finance Committee:

The Report of the Auditor of State for The Ohio State University Hospitals for the period July 1, 1972 through June 30, 1974, has been received and reviewed by the appropriate officers of the University.

The accounts, records, files and reports of The Ohio State University Hospitals were found to be in order but some procedural changes were suggested to improve the accounting system.

It is recommended that this Report of the Auditor of State be received and filed with the official documents of the University.

Upon motion of Mr. Devenow, seconded by Mr. Harrod, the foregoing report was accepted by unanimous voice vote.

C. Report from the Insurance Committee

Dr. Sirak, on behalf of the Insurance Committee, recommended:

That the current Personal Property Policy which provides up to \$1,250.00 coverage for each claim or loss, with a \$250.00 deductible, for all students residing in University dormitories, be awarded to the United States Fire Insurance Company, through the Atkinson-Dauksch Agencies, Inc., for a three-year period at a premium of \$5,043.00. The current policy expires May 8 of this year.

April 4, 1975 meeting, Board of Trustees

V. REPORTS (continued)

C. Report from the Insurance Committee (continued)

The Committee also recommended

That the current Public Officials Bond, providing coverage of \$500,000.00 for the Treasurer of the University for the faithful performance of his duties, be awarded to the Lumbermen's Mutual Casualty Co., through the Lumbermen's Mutual Insurance Agency, Inc., for a five-year period at a premium of \$2,030.00. The current policy expires May 14 of this year.

These recommendations were made after reviewing the analysis of bid documents provided by the Office of Business and Administration.

Upon motion of Dr. Sirak, seconded by Mr. Devenow, the Board of Trustees approved the foregoing recommendations by unanimous roll call vote.

D. Report on the University's Investment Portfolio

The report dated April 3, 1975, as submitted to the Finance Committee of the Board of Trustees by Mr. Ernest W. Leggett pertaining to the University's Investment Portfolio, was received and ordered to be filed with the official records of the Board of Trustees.

\*

\*

\*

Thereupon the Board adjourned to meet Friday, May 2, 1975, at The Ohio State University Fawcett Center for Tomorrow, Columbus, Ohio, at 1:30 p.m.

Attest:

\_\_\_\_\_  
Edward Q. Moulton  
Secretary

\_\_\_\_\_  
William C. Safford  
Chairman

Page 456 Blank



THE OHIO STATE UNIVERSITY  
OFFICIAL PROCEEDINGS OF THE  
ONE THOUSAND ONE HUNDRED AND SEVENTH MEETING  
OF THE BOARD OF TRUSTEES

Columbus, Ohio, May 2, 1975

The Board of Trustees met at its regular monthly meeting on Friday, May 2, 1975, at The Ohio State University Fawcett Center for Tomorrow, Columbus, Ohio, pursuant to adjournment.

Present: William C. Safford, Chairman, Don M. Hilliker, John H. Dunlap, M. Merle Harrod, John L. Gushman, Howard D. Sirak, Patricia D. James, and Warren J Smith.

\* \* \*

Minutes of the last meeting were approved.

\* \* \*

May 2, 1975 meeting, Board of Trustees

ELECTION OF OFFICERS

Mr. Gushman moved and Mr. Hilliker seconded the motion that the following persons be nominated as officers of the Board of Trustees for the year, effective May 14, 1975 through May, 1976 meeting:

Chairman	John H. Dunlap
Vice Chairman	M. Merle Harrod
Secretary	Edward Q. Moulton
Treasurer	Ernest W. Leggett

The Board approved the above slate by unanimous voice vote.

\* \* \*  
\* \*  
\*

RESOLUTIONS IN MEMORIAM

President Enarson reported to the Board the deaths of Harry M. Beatty, Assistant Professor Emeritus in the Department of Mathematics, and Sylvester S. Humphrey, Instructor Emeritus in the Department of Botany. In accordance with the instructions of the Board of Trustees, copies of the following resolutions expressing on behalf of the University the sorrow and sympathy of the Board will be furnished the families of the deceased.

A. Harry M. Beatty

The Board of Trustees of The Ohio State University expresses its sorrow at the death on March 20, 1975, of Harry M. Beatty, Assistant Professor Emeritus in the Department of Mathematics.

Harry M. Beatty was born in 1883. He received his B.A. degree from Ohio Wesleyan University in 1908 and his M.A. degree from The Ohio State University in 1917.

Professor Beatty served as Superintendent of Schools in Fayette County from 1908 to 1911. He was a mathematics and science teacher in Newark High School from 1911 to 1917. He served as Principal of Urbana High School in 1917. In 1918 he came to Ohio State as an Instructor and was promoted to the rank of Assistant Professor in 1920. He resigned his position at Ohio State on June 30, 1953 and was awarded the status of Assistant Professor Emeritus.

A charter member of the Mathematics Association of America, he served as Regional Governor during the year 1946.

RESOLUTIONS IN MEMORIAM (continued)

A. Harry M. Beatty (continued)

In addition to serving the department as a teacher, Professor Beatty served as Director of Elementary Math Instruction and supervised the placement tests. He served on several departmental committees and was Chairman of the Staff Committee in 1944.

Professor Beatty worked for the State Teachers Retirement System during his retirement years.

On behalf of the University Community, the Board of Trustees expresses to the family of Professor Beatty its deepest sympathy. It was directed that this resolution be inscribed in the minutes of the Board of Trustees and that a copy be tendered to the family as sincere appreciation of the Board's realization of the loss which the family, the University, and his many friends and associates have sustained.

B. Sylvester S. Humphrey

The Board of Trustees of The Ohio State University expresses its sorrow at the death on April 10, 1975, of Sylvester S. Humphrey, Instructor Emeritus in the Department of Botany.

Mr. Humphrey was born October 1, 1894. He received a B.S. degree from The Ohio State University in 1921 and a M.S. degree in 1923.

Mr. Humphrey was initially employed as a Student Assistant and Graduate Assistant in the Department of Botany, and later moved to the rank of Instructor of Botany. During several summers he was employed by the United States Department of Agriculture as a Field Assistant involved in several of the plant disease control programs.

His memberships in professional societies and honors included Sigma Xi, Ohio Academy of Science, and American Association for the Advancement of Science, where he served as Fellow.

Mr. Humphrey was a dedicated teacher and sincere friend of students. His teaching duties involved General Botany, Local Flora, Plant Pathology, and Mycology. His office was not only a place for students to obtain additional academic information, but moreover, served as a source of sound and compassionate advice of all types sought by students.

Mr. Humphrey was best known for his research on fungal diseases of plants and their potential for control. His interests also included the morphology and taxonomy of various fungi, and the vascular plants of Ohio.

On behalf of the University, the Board of Trustees expresses to the family its deep sympathy and sense of understanding in its loss. It was directed that this resolution be inscribed upon the minutes of the Board of Trustees and that a copy be tendered to the family as a humble expression of the Board's heartfelt sympathy in its bereavement.

\*

\*

\*

President Enarson presented the following recommendations:

I. GENERAL RECOMMENDATIONS

A. Revision of Rules 21.01, 21.05, and 21.07, and the Addition of New Rule 21.08 of Rules of the University Faculty

At the University Senate meeting on April 8, 1975, the following revisions of Rules 21.01, 21.05, and 21.07, and the addition of Rule 21.08 of Rules of the University Faculty were approved.

Rule 21.01 (Academic Freedom and Responsibility)  
Redefines with more specificity the statement on academic freedom and responsibility.

Rule 21.05 (Election of Staff; Tenure)  
Clarifies University policy on tenure, specifying that only regular faculty are eligible.

Rule 21.07 (Hearing Procedures for Complaints Against Regular and Auxiliary Faculty Members)  
Spells out in much more detail the procedure for the disposition of charges against faculty members. These charges will fall into three categories: the failure to meet University responsibilities, proved incompetence, and grave misconduct.

In the case of alleged failure to meet University responsibilities, the procedure moves from the Department to the Dean, who may appoint a hearing committee from within the College to review the matter if he thinks the charges may have merit. The maximum sanction which can be imposed is a recorded censure. Should the Dean determine that such censure is in order, the matter can be appealed to the Provost, who in turn will refer it to the newly created University Faculty Hearing Committee. That body will again hear the charges and make a recommendation back to the Provost. The decision of the Provost is final.

In the case of alleged incompetence or grave misconduct, the procedure goes somewhat further. Should the Department Chairman, Dean and Provost believe that the charges have merit, the Faculty Hearing Committee conducts a formal hearing. Their recommendation then is presented to the President. The President in turn makes a recommendation to the Board of Trustees if he supports the termination of the faculty member. The Board has the final determination, and its discretion is not bound by the previous recommendations.

The faculty member does have the right to appear before the Board and present a written or an oral statement when a recommendation to terminate is being considered.

I. GENERAL RECOMMENDATIONS (continued)

A. Revision of Rules 21.01, 21.05, and 21.07, and the Addition of New Rule 21.08 of Rules of the University Faculty (continued)

Rule 21.08 (Procedures Concerning Faculty Complaints About Promotion, Tenure and Renewal Decisions)

Provides a grievance procedure for faculty who wish to question decisions regarding promotions, tenure or the nonrenewal of probationary appointments. Given the increasing number of difficult decisions to be made in these matters, providing a fair mechanism for such review is essential.

It is clear under the rule that the substantive academic judgments which have gone into these decisions are not open to challenge. The grievance procedure only reviews whether the evidence was fairly considered and whether the decision was based on any improper (unconstitutional) considerations.

The procedure moves through channels, with a hearing provided before the Faculty Hearing Committee at the Provost's level. The decisions are appealable to the President, whose authority is final.

President Enarson recommended that these revisions of Rules 21.01, 21.05, and 21.07, and the addition of new Rule 21.08 be approved by this Board.

Upon motion of Dr. Sirak, seconded by Mr. Harrod, the foregoing recommendation was approved by unanimous voice vote.

B. Degrees and Certificates Conferred--Spring Quarter Commencement

President Enarson recommended that degrees and certificates be conferred at the Spring Quarter Commencement Convocation on June 13, 1975, to those students who have completed the requirements for their respective degrees and certificates and are recommended by the University Senate. The names of those awarded degrees and certificates will be included in the minutes of this meeting. (See Appendix IV, page 513.)

C. Honorary Degrees

Pursuant to Section 3, Rule 11.05, of Rules of the University Faculty and after consultation with the Steering Committee of the University Senate, President Enarson recommended that an honorary degree be awarded to

William B. Saxbe, United States  
Ambassador to India

Doctor of Laws

## Rules of the University Faculty

### 21.01. Academic Freedom and Responsibility.\*

Section 1. The Ohio State University endorses full academic freedom as essential to attain the goal of the free search for truth and its free exposition. Academic freedom and academic responsibility are twin guardians of the integrity of institutions of higher learning. This integrity is essential to the preservation of a free society and explains the willingness of society historically to accept the concept of academic freedom and, in addition, to protect it through the institution of academic tenure.

Section 2. The principal elements of academic freedom include:

- (a) the freedom of the teacher to teach, conduct research and publish research findings;
- (b) the freedom of the teacher to discuss in a classroom, in his own manner, any material that is relevant to the subject matter as defined in the course objectives;
- (c) the freedom of the teacher to exercise his constitutional rights as a citizen without institutional censorship or discipline;
- (d) the freedom to seek changes in academic and institutional policies through lawful and peaceful means.

Section 3. Academic freedom carries with it correlative academic responsibilities. The principal elements include:

- (a) the responsibility of the teacher to meet his defined teaching, research and service obligations;
- (b) the responsibility of the teacher to pursue excellence, intellectual honesty, and objectivity in teaching, in conducting research, and in publishing research findings;
- (c) the responsibility of the teacher to encourage students and colleagues to engage in free discussion and inquiry;
- (d) the responsibility of the teacher to evaluate student and colleague performance on a scholarly basis;
- (e) the responsibility of the teacher to refrain from persistently introducing matters that have no bearing on the subject matter of the course;
- (f) the responsibility of the teacher to work with appropriate individuals and bodies to provide optimal conditions conducive to the attainment of the free search for truth and its free exposition;
- (g) the responsibility of the teacher to differentiate carefully his official activities as a teacher from his personal activities as a citizen, and to act accordingly.

- o -

---

\*Rule initiated by Board of Trustees.

## Rules of the University Faculty (continued)

### 21.05. Election of Faculty and Staff; Tenure.\*

The Board of Trustees shall annually appoint the President, and all employees of the University not in the classified civil service, subject to the laws of the State of Ohio and, in the case of regular faculty, to the rights and protection of tenure. Tenure may be earned by all teachers with regular faculty status subject to a probationary period. Regular faculty status does not include Adjunct, Clinical, Visiting, or Lecturer appointments, or part-time service (less than 50 percent total service to the University as specified in the Notice of Appointment). Tenure is lost by formal resignation, by retirement, or may be terminated by reason of proved incompetence or grave misconduct in accordance with Rule 21.07 or for causes set forth in Rule 21.03.

- o -

### 21.07. Hearing Procedures for Complaints Against Regular and Auxiliary Faculty Members.

#### A. Definitions and Construction

1. This rule shall apply only to complaints against regular and auxiliary faculty members.
2. At all stages in proceedings under this rule Department Chairmen, Deans, or the Provost will attempt, through the use of informal consultation, to resolve complaints to their satisfaction and that of the Complainant, and the faculty member against whom the Complaint is made (hereinafter "Respondent").
3. Department Chairmen, Deans, or the Provost shall not act in their administrative capacities in the consideration of any Complaint naming them as Respondent. In Complaints naming a Department Chairman or a Dean as Respondent, the Provost shall appoint an equivalent rank administrator from another Department or College to act in the stead of the Chairman or Dean for the purposes of Rule 21.07 review. In Complaints naming the Provost as Respondent, the Chairman of the Faculty Hearing Committee shall act in his stead.
4. The Faculty Hearing Committee shall be composed of six members of the regular faculty, elected by the University Senate initially from a slate of no fewer than 12 persons nominated by the Steering Committee of the University Senate. Three members shall be elected for a two-year term and three for a one-year term. Each year thereafter, to replace members whose terms expire, three members shall be elected for a two-year term from a slate of no fewer than six persons.
  - a. The Faculty Hearing Committee shall elect its own Chairman, who shall select three members of the Committee to sit on each Hearing Panel.

---

\*Rule initiated by Board of Trustees.

Rules of the University Faculty (continued)

21.07. Hearing Procedures for Complaints Against Regular and Auxiliary Faculty Members. (continued)

- b. A member of the Faculty Hearing Committee shall disqualify himself from serving on any Hearing Panel when he believes that his relationship to one of the parties involved or his prior involvement with the issues would prejudice his judgment.
  - c. A Hearing Panel shall select a person, who need not be a member of the Faculty Hearing Committee, to serve as presiding officer. The presiding officer shall direct the proceedings, rule on matters involving the introduction of evidence, and advise the Panel members on such issues of law and procedure as they may deem necessary. The presiding officer, if not a member of the Panel, shall not, however, be permitted to participate in substantive deliberations with the Panel or to vote on decisions by the Panel.
5. Records of proceedings under this rule shall be kept only in the Administrative Office wherein the proceedings terminate. With written permission of the Respondent, such records shall be open to inspection by the Ombudsman, but may be inspected by others only with the written permission of the Respondent and the administrative officer in charge of the office wherein the records in question are kept.
  6. Alleged incompetence shall be judged by reference to the qualities and conditions under which tenure is customarily established at this University, to wit: Competence with respect to teaching, service, and research. Accordingly, incompetence shall refer to a faculty member's failure to meet his defined teaching, service, and research obligations. However, physical or mental disability resulting in failure of performance shall be dealt with through administrative procedures requiring medical certification, which, in turn, may lead to a change of duties or to retirement.
  7. Complaints alleging grave misconduct shall refer only to activities that, if proved, seriously impair a faculty member's effectiveness in meeting his defined teaching, service, and research obligations.
  8. The designation Department Chairman in this rule includes Academic Faculty Chairman, Division Chairman, and School Director.

B. Initial Proceedings

1. The Complaint shall be set forth in writing, and a copy furnished to the Respondent. Only charges thus set forth upon initiation of the Complaint shall be considered at the several stages of deliberation.
  - a. The Complaint shall indicate whether the charge is (a) Incompetence or grave misconduct; or (b) Failure to meet University responsibilities, which failure is not alleged to constitute incompetence or grave misconduct.



Rules of the University Faculty (continued)

21.07. Hearing Procedures for Complaints Against Regular and Auxiliary Faculty Members. (continued)

- b. Standing as Complainant shall be limited to the following classes of persons: The University Faculty, Students, Post-doctoral Fellows, and Post-professional Fellows.
  - c. The Complaint shall be composed by, or directed to, the Department Chairman of the department of which the Respondent is a member.
  - d. The burden of going forward and the burden of proof shall be with the Complainant.
2. The Department Chairman shall review the Complaint and evidence relating to it, including evidence on behalf of the Respondent, to determine whether reasonable and adequate grounds exist to support the Complaint.
- a. A decision by the Department Chairman that no reasonable and adequate grounds exist to support the Complaint shall be communicated in writing to the Complainant and the Respondent. Such a decision may be appealed by the Complainant to the Dean of the College in which the Complaint was initially filed.
  - b. If reasonable and adequate grounds are determined to exist to support the Complaint, the Department Chairman shall refer the Complaint to the Dean of the College.

C. College Proceedings

Complaints referred to the Dean of the College by a Department Chairman, or appealed to the Dean by a Complainant, shall be reviewed by the Dean who will determine whether reasonable and adequate grounds to support the Complaint have been established.

1. Complaints alleging failure to meet University responsibilities when such failures are not alleged to constitute incompetence or grave misconduct.
  - a. If no reasonable and adequate grounds are found to support the Complaint, the Dean shall dismiss the Complaint and communicate this disposition in writing to the Complainant, the Respondent, and the Department Chairman.
  - b. If reasonable and adequate grounds are found to support the Complaint, the Dean shall establish a College Hearing Committee consisting of no fewer than three faculty members from within the College but from outside the Respondent's department.

Rules of the University Faculty (continued)

21.07. Hearing Procedures for Complaints Against Regular and Auxiliary Faculty Members. (continued)

- c. The College Hearing Committee shall review the Complaint, hear relevant testimony, including testimony from both the Complainant and the Respondent, and determine the accuracy and sufficiency of the Complaint.
- d. The College Hearing Committee shall transmit its findings in writing to the Complainant, Respondent, and Dean.
- e. Upon receipt of the written findings of the College Hearing Committee, the Dean shall consider them in connection with the nature of the offense and its circumstances and select one of the following sanctions:
  - (1) Dismiss the Complaint, if such is the recommendation of the College Hearing Committee.
  - (2) Direct that an oral warning and reprimand be administered by the Department Chairman.
  - (3) Administer a written record of censure.
- f. The Complainant may take no appeal from these proceedings. The Respondent shall have the right of appeal to the Provost from either the findings of the College Hearing Committee or the sanction imposed by the Dean.

2. Complaints alleging incompetence or grave misconduct.

- a. If no reasonable and adequate grounds are found to support the Complaint, the Dean shall dismiss the Complaint and communicate this disposition in writing to the Complainant, Respondent, and Department Chairman. A decision to dismiss the Complaint may be appealed to the Provost.
- b. If reasonable and adequate grounds are found to support the Complaint, the Dean shall refer the matter to the Provost.

D. The Provost

- 1. Appeals to the Provost by a Respondent from the findings of a College Hearing Committee or the sanction imposed by a Dean in response to a Complaint alleging failure to meet University responsibilities, shall be dealt with by the Provost in accord with the following procedures:
  - a. Upon receiving such an appeal, the Provost shall invoke the procedures contained in Section E, subsections 1 through 5, inclusive, of this rule. In such appeals, the Dean shall function as Prosecutor and the Hearing Panel shall report its findings of fact and its judgment as to the appropriateness of the imposed sanctions to the Provost and to the Respondent.

Rules of the University Faculty (continued)

21.07. Hearing Procedures for Complaints Against Regular and Auxiliary Faculty Members. (continued)

- b. Upon receiving the report of the Hearing Panel, the Provost may
  - (1) sustain the sanction
  - (2) impose a lesser sanction, or
  - (3) dismiss the Complaint and direct that the record be expunged.
- c. The Provost shall communicate in writing his disposition of the appeal to the Respondent, Complainant, and Dean. No appeal may be taken from the actions of the Provost.

2. Complaints alleging incompetence or grave misconduct, referred to or appealed to the Provost by a Dean or a Complainant, shall be reviewed by the Provost to determine whether reasonable and adequate grounds have been established to support the Complaint.

- a. If it is determined that reasonable and adequate grounds have not been established to support the Complaint, the Provost shall dismiss the Complaint and communicate this disposition in writing to the Complainant, Respondent, Dean and Department Chairman. No appeal may be taken from such a dismissal by the Provost.
- b. If a determination is made that reasonable and adequate grounds have been established to support the Complaint, the Provost shall transmit a written notice of the specific charges to the Faculty Hearing Committee, Respondent, and Complainant. In proceedings before a Hearing Panel involving Complaints alleging incompetence or grave misconduct, the burden of going forward, the burden of proof, and the responsibility for prosecuting the charge shall be with the Provost. The Provost may be represented in such proceedings by a designee.

E. The Faculty Hearing Committee

- 1. Within 30 days of receipt from the Provost of charges against a Respondent, or of an appeal from a Respondent as provided for in Section D (1), subsections a through c, of this rule, the Faculty Hearing Committee shall convene a Hearing Panel to consider the Complaint. The Respondent and the Prosecutor may each make one preemptory challenge to the seating of one person on the Hearing Panel and to the selection of a presiding officer.
- 2. The Hearing Panel may restrict the attendance of persons at the proceedings; provided, however, that neither the Respondent nor the Prosecutor shall be denied the right to have one observer of their choosing present at all times.

Rules of the University Faculty (continued)

21.07. Hearing Procedures for Complaints Against Regular and Auxiliary Faculty Members. (continued)

3. Respondents shall have the right to be represented by legal counsel or any other person of their choice, to examine the evidence and witnesses against them, to present witnesses and evidence on their own behalf, and to refuse to testify or be questioned in the proceedings without prejudice to their cause.
4. The Hearing Panel shall receive such testimony and other evidence as it deems to be material and relevant to the issues before it.
5. An electronic recording shall be kept of all proceedings before a Hearing Panel. In addition, a written transcript shall be kept of proceedings dealing with Complaints alleging incompetence or grave misconduct.
6. At the conclusion of the proceedings, the Hearing Panel shall make separate written findings of fact and a recommendation as to a sanction, if any, to be imposed pursuant to subsection H of this rule. Such findings of fact and recommendation, together with a complete transcript of the proceedings, shall be transmitted to the President of the University and to the Respondent.
7. If the recommendation of a Hearing Panel is termination of the Respondent, such recommendation shall also state whether the termination should be effective immediately, at the end of the current appointment term, or one year following expiration of the current appointment term.

F. The President

Upon receipt of written findings of fact, a complete transcript of the proceedings, and a recommendation from a Hearing Panel, the President shall review the matter and:

1. Should he disagree with the findings or the recommendation of the Hearing Panel, or desire consideration of additional evidence, he may remand the matter to the Hearing Panel along with a written statement of the reasons therefor.
  - a. Upon remand of a case, the Hearing Panel shall supply copies of the President's statement to the Provost and the Respondent, and shall reopen the proceeding, at the conclusion thereof submitting a supplemental report to the President and to the concerned parties.
2. Should he agree with the findings and recommendation of the Hearing Panel, should he disagree but choose not to remand, or in any event after receiving the supplemental report of the Hearing Panel, he may:

Rules of the University Faculty (continued)

21.07. Hearing Procedures for Complaints Against Regular and Auxiliary Faculty Members. (continued)

- a. Dismiss the Complaint; or
- b. Impose any sanction less than termination, whether or not it accords with the recommendation of the Hearing Panel; or
- c. Recommend to the Board of Trustees termination of the Respondent on such terms and conditions as he may deem advisable.

Any decision of the President shall be communicated in writing to the Hearing Panel and to the Respondent.

G. Board of Trustees

The Board of Trustees may sustain, revoke, or modify any action taken by the President; accept or reject any recommendation of the President; or, on its own motion, take whatever action under the circumstances it feels to be in the best interest of the University.

1. If the President recommends termination, the Board may approve the recommendation, disapprove the recommendation and dismiss the Complaint, or disapprove the recommendation and modify the sanction subject to Section G (2) of this rule.
2. If the Board rejects a recommendation of termination, it shall state its reasons in writing and provide an opportunity for the President, the Respondent, and the Hearing Panel to respond thereto in writing.
3. Should the President dismiss a Complaint against a Respondent, or impose a sanction less than termination, the Board, or any committee thereof, may on its own motion review the matter and request written or oral statements of their respective positions from the President, the Respondent, and the Hearing Panel.
4. Before imposing a sanction of termination, the Board shall give the Respondent an opportunity to present to it either in writing or in person reasons why facts as they appear in the record of proceedings do not justify the sanction of termination.

H. Sanctions Applicable to Established Cases of Incompetence or Grave Misconduct

Sanctions shall be selected from the following:

1. Recorded censure, administered by the Dean of the College or the Provost. This sanction shall be applied only in those cases involving unusually strong mitigating circumstances of exceptionally persuasive character.
2. Termination of employment, recorded and administered by the Provost.

Rules of the University Faculty (continued)

21.08. Procedures Concerning Faculty Complaints About Promotion, Tenure and Renewal Decisions.

A. Definitions and Construction

1. When presenting a complaint to the Committee on Academic Freedom and Responsibility, a faculty member (hereinafter "Complainant") must first present evidence that he has made a reasonable effort to resolve the grievance by informal methods (or formal methods if they exist) in both the Department and the College. Complaints concerning promotion, tenure, or renewal decisions may be made by tenured or probationary Faculty.
2. In all formal proceedings under this rule, the burden of going forward and the burden of establishing proof shall be on the Complainant.
3. "Improper evaluation," as used in this rule, shall mean:
  - (a) that a decision affecting the Complainant was based upon an inadequate consideration of the pertinent facts by the individual(s) making the decision, or
  - (b) that such decision was based upon reasons or considerations that infringe a constitutional right of the Complainant.
4. In considering complaints alleging an improper evaluation under this rule, the review should consider only whether those individual(s) making the decision followed the appropriate procedures, considered the important evidence material to a fair determination, and acted in a responsible manner. When reviewing complaints, neither the Committee on Academic Freedom and Responsibility nor the Faculty Hearing Panel shall substitute its judgment on the merits of the individual's performance for that of the academic unit.
5. If a complaint is dismissed by either the Committee on Academic Freedom and Responsibility or a Hearing Panel pursuant to this rule, no appeal may be taken by the Complainant.
6. All records of proceedings under this rule shall be kept in the Office of the Provost and shall not be open to public inspection without the written permission of the Complainant and the Provost.

B. The Committee on Academic Freedom and Responsibility

1. Complaints alleging improper evaluation shall be presented in writing to the faculty members of the Committee on Academic Freedom and Responsibility (hereinafter "Committee") and to the Provost within 30 days (whenever practical) after a faculty member has been notified of the decision he wishes to challenge.

Rules of the University Faculty (continued)

21.08. Procedures Concerning Faculty Complaints About Promotion, Tenure and Renewal Decisions. (continued)

2. By means of informal procedures, the Committee shall review the complaint, and evidence relating to it (including evidence on behalf of the academic unit) to determine whether reasonable and adequate grounds exist for asserting improper evaluation.
3. If the Committee determines that no reasonable and adequate grounds exist for asserting improper evaluation, it shall dismiss the complaint and forward all files on the matter to the Provost.
4. If the Committee determines that reasonable and adequate grounds may exist for asserting improper evaluation, it shall forward the complaint to the Faculty Hearing Committee, established pursuant to Faculty Rule 21.07.

C. The Faculty Hearing Committee

1. Upon receipt of a complaint alleging improper evaluation, the Faculty Hearing Committee shall select a Hearing Panel according to the method provided in Faculty Rule 21.07, to conduct proceedings in order to determine whether there is validity in the complaint.
2. Actions being challenged under this rule shall be responded to by the Provost or his designee.
3. In matters involving allegations that some fundamental right has been infringed, the Hearing Panel shall conduct its proceedings in the same manner as those provided under Faculty Rule 21.07.
4. In matters involving complaints under Section A 3(a) of this rule, the Hearing Panel shall conduct an investigatory proceeding in accord with the following guidelines:
  - (a) The proceeding shall not be adversary in nature. The proceeding is an investigation leading to a report on whether or not adequate consideration was accorded.
  - (b) The Complainant should be given opportunity to state his case in writing and in person to the Hearing Panel, and offer any evidence substantiating the claim.
  - (c) If the Complainant appears before the Hearing Panel, he may bring with him an advisor. No formal transcript of the proceedings need be kept.

Rules of the University Faculty (continued)

21.08. Procedures Concerning Faculty Complaints About Promotion, Tenure and Renewal Decisions. (continued)

- (d) The Hearing Panel shall request an oral or written report on the procedures followed and the evidence considered in reaching the decision that led to the complaint. The person or group who makes the decision may be called upon to demonstrate that all important and material evidence was considered.

5. At the conclusion of a hearing, the Hearing Panel shall:

- (a) Dismiss the complaint if it determines that there has been no improper evaluation.
- (b) When it has found that an improper evaluation has been made, submit its findings to the Dean of the College in which the Complainant is a member and to the Provost, with the recommendation that the appropriate parties reconsider their decision, taking into account the findings of the Hearing Panel. A copy of the Hearing Panel's findings shall also be sent to the President.

6. If a decision is remanded under subsection C 5(b) of this rule, it shall be reconsidered promptly. Within 30 days of the receipt of the Hearing Panel's decision, the Provost shall respond in writing to the Hearing Panel and the President, stating what action has been taken and the reasons therefor.

7. All findings and recommendations of a Hearing Panel shall be made in writing and a copy shall be provided to the Complainant.

D. The President

- 1. Upon receipt of a report under subsection C 6 of this rule, the President shall review the matter and take whatever action he deems appropriate.
- 2. All decisions of the President under this rule shall be provided in writing to the Hearing Panel and the Complainant.

- o -



May 2, 1975 meeting, Board of Trustees

I. GENERAL RECOMMENDATIONS (continued)

C. Honorary Degrees (continued)

Upon the recommendation of the Committee on Honorary Degrees, the University Senate has approved for recommendation to the Board of Trustees the following persons for the honorary degrees as indicated:

Emil Bozler	Doctor of Science
Lawrence A. Cremin	Doctor of Humane Letters
Chauncey D. Leake	Doctor of Science
Donald J. McPherson	Doctor of Science
Michio Nagai	Doctor of Humane Letters

Upon motion of Mr. Hilliker, seconded by Mr. Gushman, the Board of Trustees approved the foregoing recommendations by unanimous voice vote.

D. Budget Summary - Third Quarter 1974-75 Report  
(Quarter Ended March 31, 1975)

The current funds budget for 1974-75 based on revenues and expenditures for the first three quarters of the fiscal year is the same as reported as of December 31, 1974. Estimates of annual income and expense have not changed. President Enarson recommended that the third quarter report be accepted. (See pages 474-476.)

Upon motion of Mr. Harrod, seconded by Mr. Dunlap, the Board of Trustees approved the above recommendation by unanimous voice vote.

\*

\*

\*

II. PERSONNEL ACTIONS

Personnel actions since the April 4, 1975 meeting of the Board, as recorded in the official "Salary Roll" of the University, include the following Appointments and Leaves of Absence Without Salary.

A. Appointments

Charles L. Howell, Dean and Professor in the College of Dentistry, effective July 1, 1975, at a salary of \$43,168 per annum.

Edward C. McDonagh from Acting Dean of the College of Social and Behavioral Sciences to Dean of the College of Social and Behavioral Sciences, effective immediately, at a salary of \$39,888 per annum.

THE OHIO STATE UNIVERSITY  
Current General Funds Group Summary  
Budgeted Expenditures for the 1974-75 Year  
as of March 31, 1975

---

Columbus Campus

Instructional and General	
Departmental Instruction and Research	\$105,793,000
Instructional Services	2,213,000
Libraries	5,877,000
Student Services	4,489,000
Plant Operation	19,991,000
Institutional Expense	<u>8,810,000</u>
Total Instructional and General	\$147,173,000
Sponsored Research	
Research Foundation	\$ 18,040,000
Engineering Experiment Station	1,860,000
Research Administration	1,660,000
University Sponsored Research	1,976,000
Other Grants and Contracts	<u>1,819,000</u>
Total Sponsored Research	\$ 25,355,000
Public Service	
University Hospitals	\$ 52,781,000
Cooperative Extension Service	13,759,000
Other Grants and Contracts	11,352,000
University Sponsored Programs	2,444,000
Conferences	<u>1,500,000</u>
Total Public Service	\$ 81,836,000
Student Aid	
Scholarships, Fellowships, and Loans	\$ 6,820,000
Fee Remissions	<u>900,000</u>
Total Student Aid	\$ 7,720,000

Budgeted Expenditures for the 1974-75 Year (continued)

Auxiliaries	
Student Housing	\$ 16,649,000
Intercollegiate Athletics	6,460,000
University Bookstores	3,803,000
Facilities Services	2,479,000
Meats Laboratory	1,449,000
Parking Facilities	1,725,000
Student Health Service	1,508,000
Student Unions	1,827,000
University Airport	1,325,000
Fawcett Center for Tomorrow	1,109,000
Other	<u>634,000</u>
Total Auxiliaries	\$ 38,968,000
Total Columbus Campus	\$301,052,000
Regional Campuses	
Administration	\$ 126,000
Lima Campus	1,693,000
Mansfield Campus	1,659,000
Marion Campus	1,080,000
Newark Campus	1,377,000
Agricultural Technical Institute	<u>961,000</u>
Total Regional Campuses	\$ 6,896,000
Grand Total	<u><u>\$307,948,000</u></u>

THE OHIO STATE UNIVERSITY  
 Current General Funds Group Summary  
 Sources of Income to Support the 1974-75 Budget  
 as of March 31, 1975

---

Columbus Campus

Government Appropriations	
State of Ohio	\$100,302,000
Federal	<u>39,350,000</u>
Subtotal	\$139,652,000
Student Fees	
Instructional and General	\$ 45,775,000
Room and Board	<u>12,646,000</u>
Subtotal	\$ 58,421,000
Recovered Costs	\$ 5,541,000
Other Income	
Auxiliary Sales and Charges	\$ 67,958,000
Departmental and University Services	14,450,000
Endowment Income	2,750,000
Gifts and Grants	9,999,000
Temporary Investments	2,000,000
Other	<u>282,000</u>
Subtotal	\$ 97,439,000
Total Columbus Campus	\$301,053,000

Regional Campuses

Lima Campus	\$ 1,721,000
Mansfield Campus	1,682,000
Marion Campus	1,125,000
Newark Campus	1,400,000
Agricultural Technical Institute	<u>968,000</u>
Total Regional Campuses	\$ 6,896,000
Grand Total	<u><u>\$307,949,000</u></u>

May 2, 1975 meeting, Board of Trustees

II. PERSONNEL ACTIONS (continued)

A. Appointments (continued)

Richard D. Finn from Assistant Coach (Baseball) to Coach (Baseball), Department of Athletics, effective July 1, 1975, at a salary of \$17,448 per annum.

Dorothy Brickman, Director of International Students Office in the Office of International Programs under the Office of Student Services, effective August 15, 1975, at a salary of \$16,248 per annum.

B. Leaves of Absence Without Salary

David O. Edwards, Professor, Department of Physics, effective April 1, 1975 through June 30, 1975, to work at the Brookhaven National Laboratory, Upton, L. I., New York.

Douglas H. Graham, Associate Professor, Department of Agricultural Economics and Rural Sociology, effective July 15, 1975 through December 31, 1975, to accept an appointment as Visiting Research Associate, Instituto de Pesquisas Economicas, University of Sao Paulo, Brazil.

Warren F. Lee, Associate Professor, Department of Agricultural Economics and Rural Sociology, effective September 1, 1975 through June 30, 1976, to accept an appointment with Farm and Rural Development Division, Economics Branch, Canada Department of Agriculture, Ottawa, Canada.

Fred A. Stahl, Assistant Professor, Department of Computer and Information Science, effective April 1, 1975 through September 30, 1975, for personal reasons.

Rebecca S. Blausen, Instructor, School of Home Economics, effective April 1, 1975 through September 30, 1975, for personal reasons.

Kathy J. Jacobs, Instructor, Cooperative Extension Service, effective July 1, 1975 through May 31, 1976, to pursue a program of professional improvement at West Virginia State University.

May 2, 1975 meeting, Board of Trustees

II. PERSONNEL ACTIONS (continued)

B. Leaves of Absence Without Salary (continued)

John M. Pierce, Instructor, Cooperative Extension Service, effective April 1, 1975 through December 31, 1975, to pursue a program of professional improvement at The Ohio State University.

Barbara Rigney, Instructor, Division of Comparative Literature and Languages, effective October 1, 1975 through September 30, 1976, to pursue a program of professional improvement at The Ohio State University.

Nancy H. Woodson, Instructor, Division of Comparative Literature and Languages, effective October 1, 1975 through September 30, 1976, for personal reasons.

President Enarson recommended that the Appointments, Leaves of Absence Without Salary, and personnel budget actions as recorded in the "Salary Roll" of the University be approved.

Upon motion of Mr. Dunlap, seconded by Mr. Gushman, the Board of Trustees approved the foregoing recommendation by unanimous roll call vote.

\*

\*

\*

May 2, 1975 meeting, Board of Trustees

III. REPORT OF RESEARCH CONTRACTS, GRANTS, GIFTS, AND AGREEMENTS

THIRD QUARTER 1974-1975

OFFICE OF BUSINESS AND ADMINISTRATION

	Number of Projects	Level of Support	% Change from 1973-74
<u>Federal</u>			
Student Programs	2	\$ 41,486.00	(61)
Training Grants	<u>19</u>	<u>2,149,363.00</u>	<u>(42)</u>
Total - Federal	21	\$2,190,849.00	(42)
<u>State of Ohio</u>	3	84,391.35	24
<u>Industrial and Other</u>	<u>11</u>	<u>531,079.46</u>	<u>(30)</u>
Totals	35	\$2,806,319.81	(39)

THE OHIO STATE UNIVERSITY RESEARCH FOUNDATION

	Number of Projects	Level of Support	% Change from 1973-74
<u>Federal</u>			
U. S. Atomic Energy Commission	4	\$ 351,142.00	(28)
National Aeronautics and Space Administration	2	95,440.00	(55)
National Science Foundation	14	489,300.00	(0)
Department of Defense	22	1,089,364.00	54
Health, Education, and Welfare	19	1,237,027.00	(20)
Other Federal	<u>19</u>	<u>1,734,702.00</u>	<u>48</u>
Total - Federal	80	\$4,996,975.00	8
<u>State of Ohio</u>	8	205,572.00	1613
<u>Industrial, Subcontracts, and Other Non-Federal</u>	<u>22</u>	<u>830,979.78</u>	<u>55</u>
Totals	110	\$6,033,526.78	16

May 2, 1975 meeting, Board of Trustees

III. REPORT OF RESEARCH CONTRACTS, GRANTS, GIFTS, AND AGREEMENTS  
(continued)

THE ENGINEERING EXPERIMENT STATION

	Number of Projects	Level of Support	% Change from 1973-74
<u>Federal</u>	4	\$ 27,097.00	35
<u>State of Ohio</u>	2	11,030.00	(72)
<u>Industrial and Other</u>	<u>114</u>	<u>246,622.00</u>	<u>128</u>
Totals	120	\$ 284,749.00	70

THE OHIO STATE UNIVERSITY DEVELOPMENT FUND

	Number of Donors	Level of Support	% Change from 1973-74
<u>Annual Giving Group</u>	<u>3,096</u>	<u>\$ 97,484.00</u>	<u>24</u>
<u>Major Resources Group</u>			
Deferred Gifts	12	157,272.88	N. A.
Major Individual Gifts	168	166,352.32	N. A.
Corporate Gifts	148	276,836.79	N. A.
Foundation and Non-Profit Organization Gifts	<u>166</u>	<u>260,816.82</u>	N. A.
Total	<u>494</u>	<u>\$ 861,278.81</u>	<u>(12)</u>
Totals	3,590	\$ 958,763.21	(9)



May 2, 1975 meeting, Board of Trustees

III. REPORT OF RESEARCH CONTRACTS, GRANTS, GIFTS, AND AGREEMENTS  
(continued)

President Enarson recommended that the following contracts and grants negotiated and monies received for the month of March 1975 be accepted.

Summary for March 1975

	No. of Projects	Support Level
Office of Business and Administration	13	\$ 579,837.00
The Ohio State University Research Foundation	31	2,441,228.00
The Engineering Experiment Station	2	19,200.00
		\$3,040,265.00
	(Donors)	
The Ohio State University Develop- ment Fund	652	\$ 274,796.36

A detailed listing of the items in each section is shown on the following pages.

Upon motion of Mr. Gushman, seconded by Mrs. James, the research agreements between The Ohio State University and The Ohio State University Research Foundation for the contracts and grants reported herein, and the acceptance of the report from the Office of Business and Administration and The Ohio State University Development Fund, including the establishment of named funds, were approved by unanimous voice vote.

May 2, 1975 meeting, Board of Trustees

III. REPORT OF RESEARCH CONTRACTS, GRANTS, GIFTS, AND AGREEMENTS  
(continued)

A. Office of Business and Administration

1. Federal Contracts/Grants

- a. \$163,652.00 from Department of Health, Education, and Welfare, Public Health Service, Bethesda, Maryland, for General Research Support Grant, under the direction of College of Medicine, for period January 1, 1975 through December 31, 1975. (Grant No. 5 S01 RR05409-14)
- b. \$156,815.00 from Department of Health, Education, and Welfare, Office of Education, Occupational and Adult Education Branch, Washington, D. C., for Abstracts of Instructional and Research Materials for Vocational and Technical Education, under the direction of Center for Vocational and Technical Education, for period March 1, 1975 through February 29, 1976. (Contract No. 300-75-0141)
- c. \$58,716.00 from Department of Health, Education, and Welfare, Public Health Service, Bethesda, Maryland, for Medicinal Chemistry - Training Grant, under the direction of College of Pharmacy, Division of Medicinal Chemistry, for period July 1, 1975 through June 30, 1976. (Grant No. 5 T01 GM01949-07)
- d. \$42,481.00 from Department of Health, Education, and Welfare, Public Health Service, Bethesda, Maryland, for General Research Support Grant, under the direction of College of Pharmacy, for period January 1, 1975 through December 31, 1975. (Grant No. 5 S01 RR05607-09)
- e. \$39,650.00 from National Science Foundation, Washington, D. C., for an extension of an Ohio State University staff member's assignment to the National Science Foundation under the NSF Personnel Mobility Program for an additional twelve months, through December 31, 1975. (No. IG-00076-002)
- f. \$36,938.00 from Department of Health, Education, and Welfare, Public Health Service, Bethesda, Maryland, for Clinical Chemistry - Training Grant, under the direction of Department of Pathology, for period July 1, 1975 through June 30, 1976. (Grant No. 5 T01 GM01805-08)
- g. \$18,267.00 from Department of Health, Education, and Welfare, Public Health Service, Bethesda, Maryland, for General Research Support Grant, under the direction of School of Nursing, for period January 1, 1975 through December 31, 1975. (Grant No. 5 S01 RR05742-04)

May 2, 1975 meeting, Board of Trustees

III. REPORT OF RESEARCH CONTRACTS, GRANTS, GIFTS, AND AGREEMENTS  
(continued)

A. Office of Business and Administration (continued)

1. Federal Contracts/Grants (continued)

- h. \$5,102.00 additional grant from United States Department of Justice, Law Enforcement Assistance Administration, Washington, D. C., for Law Enforcement Education Program, under the direction of Student Financial Aids, for period July 1, 1974 through June 30, 1975. (Grant No. 75-LP-05-0159)
- i. \$1,836.00 additional grant from Department of Health, Education, and Welfare, Public Health Service, Health Resources Administration, Bureau of Health Resources Development, Bethesda, Maryland, for Health Professions Student Assistance Programs - Loans, under the direction of School of Nursing, for period July 1, 1974 through June 30, 1975. (I. D. No. 05L390068-75; Former No. G 7 45 0430 15 1)

TOTAL - Federal Contracts/Grants \$523,457.00

2. Industrial and Other Contracts/Grants

- a. \$31,955.00 from Metropolitan Public Schools, Nashville-Davidson County, Nashville, Tennessee--\$23,405.00 for conducting a study of the Nashville-Davidson County community to ascertain manpower demands by job title, entrance requirements for persons entering various occupations, student preferences for courses which should be offered, and parental preferences for student training in the vocational program which should be offered by the school district; and \$8,550.00 for study of the current administrative organizational structure of the vocational education division in terms of the district's expansion and make recommendations for the organization and structuring of that administrative body to meet the demands of the district's plans for expansion, under the direction of Center for Vocational and Technical Education, for period January 1, 1975 through April 30, 1975.
- b. \$18,000.00 from The Licking-Delaware Manpower Consortium, Licking County, Ohio, for home instruction to provide for sixty or more unemployed and/or economically disadvantaged persons in Licking and Delaware Counties, under the direction of Newark Campus, for period March 17, 1975 through January 17, 1976.
- c. \$6,425.00 from the Board of Education of Buckeye Local School District, Ashtabula County, Ashtabula, Ohio, for development of a comprehensive school plant planning study, under the direction of Academic Faculty of Educational Administration, for period March 12, 1975 through July 31, 1975.

TOTAL - Industrial and Other Contracts/Grants \$56,380.00

III. REPORT OF RESEARCH CONTRACTS, GRANTS, GIFTS, AND AGREEMENTS  
(continued)

B. The Ohio State University Research Foundation

1. Federal Research Contracts/Grants

- a. \$755,505.00 from U. S. Department of Labor, Manpower Administration, Washington, D. C., for National Longitudinal Studies of Labor Force Behavior, under the direction of Division of Research, Center for Human Resources Research, for period July 1, 1972 through June 30, 1976. (Project 3489-A1 - Mod. #6)
- b. \$200,000.00 from Department of Transportation, Federal Highway Administration, Washington, D. C., for Field Test and Evaluation Center for Eastern States, under the direction of Engineering Experiment Station, for period September 1, 1972 through December 31, 1975. (Project 3535-A1 - Mod. #9)
- c. \$190,000.00 from Department of the Navy, Office of Naval Research, Arlington, Virginia, for Data Security - Research on Data Security and Data Secure Systems, under the direction of Department of Computer and Information Science, for period March 1, 1975 through February 29, 1976. (Project 4115-A1 - New)
- d. \$127,000.00 from U. S. Environmental Protection Agency, Washington, D. C., for Lake Erie Nutrient Control Program: An Assessment of Its Effectiveness in Controlling Lake Eutrophication, under the direction of College of Biological Sciences - Administration, for period April 1, 1975 through June 17, 1976. (Project 3705-A3 - Amend. #4)
- e. \$124,999.00 from Department of the Navy, Office of Naval Research, Arlington, Virginia, for Development of a Design Handbook on Stress Corrosion Cracking, under the direction of Department of Metallurgical Engineering, for period December 15, 1974 through February 14, 1976. (Project 4119-A1 - New)
- f. \$100,000.00 from U. S. Department of Agriculture, Northeastern Forest Experiment Station, Upper Darby, Pennsylvania, for Isolation and Identification of Substances from Plants that Affect Feeding of Gypsy Moth Larvae, under the direction of College of Pharmacy - Administration, for period March 11, 1975 through March 31, 1977. (Project 4145-A1 - New)
- g. \$50,700.00 from National Science Foundation, Washington, D. C., for Carbenic Processes, under the direction of Department of Chemistry, for period June 1, 1974 through May 31, 1976. (Project 3933-A1 - NSF Letter Dated March 3, 1975)

III. REPORT OF RESEARCH CONTRACTS, GRANTS, GIFTS, AND AGREEMENTS  
(continued)

B. The Ohio State University Research Foundation (continued)

1. Federal Research Contracts/Grants (continued)

- h. \$48,995.00 from Department of the Navy, Office of Naval Research, Arlington, Virginia, for Crisis Management Research - An Amendment to Explorations in the Management of International Crises, under the direction of Mershon Center for Education in National Security, for period January 18, 1975 through January 17, 1976. (Project 4132-A1 - New)
- i. \$44,212.00 from National Endowment for the Humanities, Washington, D. C., for Later Platonism and the Philosophy of Aristotle, under the direction of Department of Philosophy, for period January 1, 1975 through September 30, 1975. (Project 4112-A1 - New)
- j. \$40,000.00 additional funds from National Aeronautics and Space Administration, Wallops Flight Center, Wallops Island, Virginia, for Study of GEOS-C Altimeter Data in Order to Improve Existing Gravity Models, under the direction of Department of Geodetic Science. (Project 3904-A1 - Mod. #S04)
- k. \$35,852.00 from Department of Health, Education, and Welfare, Public Health Service, National Institutes of Health, National Heart and Lung Institute, Bethesda, Maryland, for Dynamics of O<sub>2</sub> and CO<sub>2</sub> Regulation, under the direction of Department of Physiology, for period April 1, 1975 through March 31, 1976. (Project 3464-A4 - Ext. #3)
- l. \$35,024.00 from Department of Health, Education, and Welfare, Public Health Service, National Institutes of Health, National Cancer Institute, Bethesda, Maryland, for the Synthesis of Carcinogenic Compounds, under the direction of Department of Chemistry, for period March 1, 1975 through February 29, 1976. (Project 1809-K - Ext. #11)
- m. \$28,073.00 from Department of Health, Education, and Welfare, Public Health Service, National Institutes of Health, National Cancer Institute, Bethesda, Maryland, for Immunoprophylaxis and Immunotherapy of Lung Cancer, under the direction of Department of Microbiology, for period May 1, 1975 through April 30, 1976. (Project 3945-A2 - Ext. #1)
- n. \$24,375.00 additional funds from U. S. Civil Service Commission, Washington, D. C., for Course Materials, under the direction of Division of Continuing Education, College of Administrative Science. (Project 3808-F1 - Calls: 75-0256-7 and 75-0256-18)

III. REPORT OF RESEARCH CONTRACTS, GRANTS, GIFTS, AND AGREEMENTS  
(continued)

B. The Ohio State University Research Foundation (continued)

1. Federal Research Contracts/Grants (continued)

- o. \$23,900.00 from National Science Foundation, Washington, D. C., for Spectroelectrochemistry in Flowing Streams, under the direction of College of Pharmacy - Administration, for period June 1, 1973 through May 31, 1976. (Project 3681-A1 - NSF Letter Dated February 6, 1975)
- p. \$7,931.00 from Department of the Army, Maryland Procurement Office, USAECOM, Ft. George G. Meade, Maryland, for Super-directive Antenna Array Study, under the direction of Electro-Science Laboratory, Department of Electrical Engineering, for period June 3, 1974 through August 31, 1975. (Project 3955-A1 - Mod. #P0000Z)
- q. \$7,700.00 from National Science Foundation, Washington, D. C., for Combinatorial Designs and Related Structures, under the direction of Department of Mathematics, for period July 1, 1971 through June 30, 1976. (Project 3228-A1 - NSF Letter Dated March 3, 1975).
- r. \$6,000.00 from National Science Foundation, Washington, D. C., for Normal Seminodules Over Good Ordered Rings, under the direction of Department of Mathematics, for period July 1, 1975 through June 30, 1976. (Project 4141-A1 - New)
- s. \$3,048.00 additional funds from U. S. Civil Service Commission, Washington, D. C., for Developing Contract Work Specifications Course, under the direction of Division of Continuing Education, College of Administrative Science. (Project 4033-D1 - Mod. #1)
- t. \$2,518.00 from Department of Health, Education, and Welfare, Public Health Service, National Institutes of Health, National Heart and Lung Institute, Bethesda, Maryland, for Control of Activity of Cardiac and Smooth Muscle, under the direction of Department of Physiology, for period January 1, 1974 through December 31, 1975. (Project 874-P - Sup. #1)

TOTAL - Federal Research Contracts/Grants \$1,855,832.00

2. State of Ohio Research Contract/Grant

- a. \$9,800.00 from Ohio Development Center, Columbus, Ohio, for Ohio Quality of Work Project, under the direction of Academy for Contemporary Problems, for period November 1, 1974 through May 31, 1975. (Project 4149-A1 - New)

III. REPORT OF RESEARCH CONTRACTS, GRANTS, GIFTS, AND AGREEMENTS  
(continued)

B. The Ohio State University Research Foundation (continued)

3. Industrial, Subcontracts/Grants and Other  
Non-Federal Research Contracts/Grants

- a. \$500,000.00 from Electric Power Research Institute, Palo Alto, California, for Corrosion and Corrosion Cracking of Materials for Water Cooled Reactors, under the direction of Department of Metallurgical Engineering, for period January 1, 1975 through December 31, 1975. (Project 4152-A1 - New)
- b. \$30,000.00 from The United States Trotting Association, Columbus, Ohio, for Equine Viral Rhinopneumonitis: Reinfection, Immunity, and Pathogenesis, under the direction of Department of Veterinary Clinical Sciences, for period April 1, 1974 through March 31, 1977. (Project 3911-A1 - Sponsor Letter Dated March 28, 1975)
- c. \$10,000.00 from Sandoz-Wander, Inc., East Hanover, New Jersey, for Antigenic Modification of Polypeptides, under the direction of Department of Obstetrics and Gynecology, for period March 1, 1975 through February 29, 1976. (Project 4139-A1 - New)
- d. \$9,900.00 from United Way of Central Stark County, Canton, Ohio, for A Comparative Approach to the Renin-Angiotensin System, under the direction of Department of Physiology, for period April 1, 1975 through March 31, 1976. (Project 4148-A1 - New)
- e. \$9,423.00 from Ohio Program in the Humanities, Columbus, Ohio, for Historical Analysis of Religious Beliefs and Their Contemporary Implications for Humanitarian Living, under the direction of Department of Black Studies, for period March 1, 1975 through July 31, 1975. (Project 4142-A1 - New)
- f. \$6,600.00 from Research Corporation, New York, New York, for Electrochemical and Spectroscopic Investigation of Brain Redox Compounds and Related Drugs, under the direction of Department of Chemistry, for period April 1, 1975 through March 31, 1976. (Project 4140-A1 - New)
- g. \$5,108.00 from American Heart Association, Eastern Ohio Chapter, Inc., Youngstown, Ohio, for Conditioning of Heart Rate and Hippocampal Lesions, under the direction of Department of Physiology, for period April 1, 1975 through March 31, 1976. (Project 4118-A1 - New)

III. REPORT OF RESEARCH CONTRACTS, GRANTS, GIFTS, AND AGREEMENTS  
(continued)

B. The Ohio State University Research Foundation (continued)

3. Industrial, Subcontracts/Grants and Other  
Non-Federal Research Contracts/Grants (continued)

- h. \$2,400.00 from Gillette Research Institute, Rockville, Maryland, for Anticariogenic Activity of Pyromellitic Acid, under the direction of College of Dentistry - Administration, for period April 1, 1975 through August 15, 1975. (Project 4146-A1 - New)
- i. \$1,165.00 from U. S. Civil Service Commission, Atlanta Region, Atlanta, Georgia, for Various Training Courses - Atlanta Region, under the direction of Division of Continuing Education, College of Administrative Science, for period February 15, 1975 through February 28, 1975. (Project 4129-A1 - New)
- j. \$1,000.00 additional funds from Max McGraw Wildlife Foundation, Dundee, Illinois, for Population Analysis of a Great Blue Heron Colony, under the direction of Department of Zoology. (Project 4135-A1 - Sponsor Letter Dated March 11, 1975)

TOTAL - Industrial, Subcontracts/Grants and Other  
Non-Federal Research Contracts/Grants \$575,596.00

C. The Engineering Experiment Station

1. Industrial and Other Research Contracts

- a. \$11,700.00 from GLT Industries, Inc., Northvale, New Jersey, for Ultrasonic Transducer and Power Supply Development, under the direction of Department of Engineering Mechanics, for period March 17, 1975 through September 17, 1975. (EES 506)
- b. \$7,500.00 from Owens Illinois, Toledo, Ohio, for the fourth year of Polymer Engineering Research, under the direction of Department of Chemical Engineering, for period January 1, 1975 through December 31, 1975. (EES 408, Ext. #4)

TOTAL - Industrial and Other Research Contracts \$19,200.00

D. The Ohio State University Development Fund

1. Gifts of \$5,000 or More

- a. \$100,000.00 from Estate of Robert M. Critchfield, Detroit, Michigan, for the Robert M. Critchfield Professorship in Engineering Endowment Fund.



III. REPORT OF RESEARCH CONTRACTS, GRANTS, GIFTS, AND AGREEMENTS  
(continued)

D. The Ohio State University Development Fund (continued)

1. Gifts of \$5,000 or More (continued)

- b. \$15,577.25 from the Louise Orr Scott Foundation, Columbus, Ohio--  
\$9,732.25 for scholarships in the College of Medicine and \$5,845.00  
for scholarships in the College of Pharmacy.
- c. \$13,000.00 from the Foundation for Endowment of a Chair at Ohio  
State University, Inc., New York, New York, for the Meshulam  
Riklis Chair in the College of Administrative Science.
- d. \$10,500.00 from Exxon Education Foundation, New York, New York--  
\$5,500.00 for their graduate fellowship in Chemical Engineering and  
\$5,000.00 for a graduate fellowship in Chemistry (formerly the Esso  
Postgraduate Fellowship in Chemistry).
- e. \$7,944.13 from The Associates of Medicine, Columbus, Ohio--  
\$7,449.97 for support of the Department of Medicine General Fund  
and \$494.16 for cardiology support.
- f. \$6,974.00 from The Charles F. High Foundation, Bucyrus, Ohio,  
for their scholarship fund.
- g. \$5,549.59 from Antique Show Receipts (given in the name of Mrs.  
Josephine S. Failer, Columbus, Ohio), for a purpose to be designated  
at a later date.
- h. \$5,000.00 from Ciba-Geigy Corporation, Summit, New Jersey--  
\$4,000.00 for the College of Medicine Progress Fund and \$1,000.00  
for endocrine research.

2. Establishment of Named Funds

- a. \$25,000.00 from the Estate of Charles C. Palmer for the establish-  
ment of The Charles C. Palmer Fund in Veterinary Medicine.

The Charles C. Palmer Fund in Veterinary Medicine

The Charles C. Palmer Fund in Veterinary Medicine was estab-  
lished May 2, 1975, by the Board of Trustees of The Ohio State  
University with a bequest through The Ohio State University Devel-  
opment Fund from Charles C. Palmer (B.A. '19, M.A. '23), late  
of Newark, Delaware.

This bequest is to be invested in the University's Permanent Endow-  
ment Fund, under the rules and regulations adopted by the Board of  
Trustees of The Ohio State University, with the right to invest and  
reinvest as occasion dictates.

III. REPORT OF RESEARCH CONTRACTS, GRANTS, GIFTS, AND AGREEMENTS  
(continued)

D. The Ohio State University Development Fund (continued)

1. Gifts of \$5,000 or More (continued)

a. The Charles C. Palmer Fund in Veterinary Medicine (continued)

The annual income is to be used to provide one or more graduate fellowships in the College of Veterinary Medicine of The Ohio State University. The selection of the recipients is to be made upon the recommendations of the Graduate Faculty of the College of Veterinary Medicine and the Dean of the College of Veterinary Medicine.

Should the need for these scholarships cease to exist or so diminish as to provide unused income, then the income may be used for any purpose whatsoever as determined by the Board of Trustees, with preference being given to recommendations from the appropriate administrative official of the University who is then directly responsible for veterinary medical education.

b. \$10,000.00 from the City National Bank and Trust Company for the establishment of the College of Medicine Dean's Administrative Seminar Fund.

College of Medicine Dean's Administrative Seminar Fund

The College of Medicine Dean's Administrative Seminar Fund was established May 2, 1975, by the Board of Trustees of The Ohio State University with a gift to The Ohio State University Development Fund from the City National Bank and Trust Company, Columbus, Ohio.

All gifts are to be invested in the University's Permanent Endowment Fund, under the rules and regulations adopted by the Board of Trustees of The Ohio State University, with the right to invest and reinvest as occasion dictates.

The income is to be used to support an annual administrative seminar under sponsorship of the College of Medicine for professional students and postdoctoral trainees.

Responsibility for the seminar will rest with the Dean of the College of Medicine and will deal with management of fiscal resources by professionals.

Should the need for the College of Medicine Dean's Administrative Seminar cease to exist or so diminish as to provide unused income, then the income may be used for any purpose whatsoever as determined by the Board of Trustees, with preference being given to recommendations from the appropriate administrative official of the University who is then directly responsible for the College of Medicine.

\*

\*

\*

IV. BUSINESS AND ADMINISTRATION

A. Architect or Engineer

1. Ohio Stadium Repairs - 1975

President Enarson recommended that the engineering firm of The Harrison Cothorn Partnership, Columbus, Ohio, be employed to provide complete engineering services including preliminary plans, basic drawings, working drawings, specifications, estimates of cost, necessary bidding documents, and resident supervision of construction.

The fee for this service will be negotiated between the engineering firm and the Department of Administrative Services, Division of Public Works. The total estimated project cost is \$400,000.00.

Funds for this service have been provided from Budget Account 999000 (Athletic Revenue).

Upon motion of Mr. Harrod, seconded by Mr. Dunlap, the above recommendation was approved by unanimous roll call vote.

B. Plans and Specifications

At the request of the Vice President for Business and Administration, President Enarson recommended that the plans and specifications, bills of material, and estimates of cost for the following projects be approved by the Board of Trustees.

1. Ohio Stadium Repairs - 1975

Due to the deteriorated concrete condition at the front of "C" Deck which may result in falling concrete from "C" Deck to "A" Deck this project has become necessary. Deterioration of the concrete is caused by freeze-thaw cycles as water enters the existing cracks in the concrete.

All work involved is on "C" Deck of Ohio Stadium. Remove and replace front aisle beam, the floor slab in front of Row 1 and the first seat beam in Sections 1, 2, 4, 8, 20, and 22. Rebuild and replace expansion joints at ends of all sections included above. All surfaces in referenced sections will be cleaned of all asphalt covering and the surface will be repaired to original contours of the concrete. A breathing type polyurethane elastomeric membrane will be applied to all of the concrete surfaces in sections as specified above. Install new drainage from front floor slab to existing drainage.

Funds are budgeted in Budget Account 999000 (Athletic Revenue).

IV. BUSINESS AND ADMINISTRATION (continued)

B. Plans and Specifications (continued)

2. Polo Field Parking Lot Expansion

This work will involve the construction of parking surface to extend approximately 240 feet south of the existing parking lot west of Cannon Drive at 12th Avenue and lighting of the parking areas and adjacent areas.

Funds for this project have been provided from Budget Account 921300 (Parking Rotary) and Budget Account 801311 (Lighting Intramural and Recreational Fields).

Upon motion of Mr. Dunlap, seconded by Mr. Harrod, the above recommendation was approved by unanimous roll call vote, and the Secretary was authorized and directed to sign the plans and specifications for the above projects for and on behalf of the Board of Trustees. The Vice President for Business and Administration was directed to proceed with a request for bids in the normal University manner, and if satisfactory bids are received to proceed with the award of contracts. All action regarding this matter will be reported to the Board of Trustees at a later meeting.

C. Report of Award of Contracts

In accordance with authorization provided by the Board of Trustees, bids were taken on the projects listed below and the contracts were recommended for award. The action reported to the Board was as follows:

1. Clinical Medical Sciences Education Facility  
(Supporting Services Phase)

	<u>Low Bid</u>	<u>Est. of Cost</u>
<u>General Contract</u>		
(6 bids received 4-18-75)		
B. G. Danis Co. (Dayton, Ohio)		
Base bid	\$ 5,790,000.00	\$ 6,159,000.00
Alt. G-1 Pneumatic tube system	+ 70,000.00	+ 74,200.00
Alt. G-3 Pedestrian tunnel	+ 73,000.00	+ 105,250.00
Alt. G-4 Elevator No. 9	+ 23,000.00	+ 28,500.00
Alt. G-5 Hoistway and penthouse for elevators and Elevator No. 11	+ 345,000.00	+ 311,875.00
Alt. G-6 Elevator No. 10	+ 75,000.00	+ 75,000.00
Alt. G-8 Tempered gray glass partitions - Room S160	+ 7,000.00	+ 4,500.00
 Total Contract	 <u>\$ 6,383,000.00</u>	 <u>\$ 6,758,325.00</u>

May 2, 1975 meeting, Board of Trustees

IV. BUSINESS AND ADMINISTRATION (continued)

C. Report of Award of Contracts (continued)

1. Clinical Medical Sciences Education Facility  
(Supporting Services Phase) (continued)

	<u>Low Bid</u>	<u>Est. of Cost</u>
<u>Plumbing Contract</u>		
(4 bids received 4-18-75)		
J. A. Croson Plumbing & Heating (Columbus)		
Base bid	\$ 557,890.00	\$ 675,000.00
Alt. P-1 Pedestrian tunnel drainage	+ 1,656.00	+ 1,200.00
Alt. P-2 Roof drainage for penthouse roof	+ <u>1,080.00</u>	+ <u>425.00</u>
Total Contract	<u>\$ 560,626.00</u>	<u>\$ 676,625.00</u>
<u>Heating, Ventilating and</u>		
<u>Air Conditioning Contract</u>		
(3 bids received 4-18-75)		
Limbach Company (Columbus)		
Base bid	\$ 1,462,000.00	\$ 1,770,000.00
Alt. HVAC-1 Pedestrian tunnel	No Charge	+ 1,750.00
Alt. HVAC-2 Elevator shaft	<u>No Charge</u>	+ <u>700.00</u>
Total Contract	<u>\$ 1,462,000.00</u>	<u>\$ 1,772,450.00</u>
<u>Electrical Contract</u>		
(5 bids received 4-18-75)		
James P. Driscoll (Columbus)		
Base bid	\$ 1,443,582.00	\$ 1,645,000.00
Alt. E-1 Pneumatic tube system	+ 339.00	+ 800.00
Alt. E-3 Lighting for pedestrian tunnel	+ 5,271.00	+ 1,800.00
Alt. E-4 Feeders to Elevator No. 9	+ 1,637.00	+ 1,500.00
Alt. E-5 Feeders to Elevator No. 11	+ 15,749.00	+ 12,000.00
Alt. E-6 Feeders to Elevator No. 10	+ <u>420.00</u>	+ <u>5,000.00</u>
Total Contract	<u>\$ 1,466,998.00</u>	<u>\$ 1,666,100.00</u>

May 2, 1975 meeting, Board of Trustees

IV. BUSINESS AND ADMINISTRATION (continued)

C. Report of Award of Contracts (continued)

1. Clinical Medical Sciences Education Facility  
(Supporting Services Phase) (continued)

	<u>Low Bid</u>	<u>Est. of Cost</u>
<u>Food Service Equipment Contract</u> (4 bids received 4-18-75)		
Louis Polster (Columbus)		
Base bid	\$ 904,000.00*	\$ 550,000.00
Alt. FS-1 Miscellaneous items of food service equipment	+ 20,000.00	+ 16,500.00
Total Contract	<u>\$ 924,000.00</u>	<u>\$ 566,500.00</u>
<u>Total All Contracts</u>	<u>\$10,796,624.00</u>	<u>\$11,440,000.00</u>

\*The Food Service Equipment Contract exceeded the estimate. Therefore, it is recommended that Controlling Board approval be obtained to award the contract, since it is believed that no better bids would be obtained by readvertising. Total of all bids are within funds available for the project.

Funds for this project have been provided from H. B. 985, Item 315-077 (Clinical Medical Sciences Education Facility), Federal Grant, and Budget Account 801266 (Clinical Medical Sciences).

2. Recreation, Physical Education, Intramural Facilities -  
Central Facility

	<u>Low Bid</u>	<u>Est. of Cost</u>
<u>General Contract</u> (5 bids received 4-22-75)		
Knowlton Construction Co. (Columbus)		
Base bid	\$ 4,490,000.00	\$ 4,800,000.00
Alt. G-1 Gymnastics gymnasium	+ 215,000.00	+ 358,400.00
Alt. G-2 Synthetic running track	+ 31,500.00	+ 69,450.00
Alt. G-4 Aqua bubbler in diving pool	+ 600.00	N/C
Alt. G-5 Synthetic flooring in gymnasiums	+ 86,900.00	+ 125,000.00
Alt. G-6 Synthetic flooring for G-1	+ 37,800.00	+ 51,000.00
Alt. G-7 Synthetic flooring for G-2	+ 10,500.00	+ 11,500.00
Total Contract	<u>\$ 4,872,300.00</u>	<u>\$ 5,415,350.00</u>

May 2, 1975 meeting, Board of Trustees

IV. BUSINESS AND ADMINISTRATION (continued)

C. Report of Award of Contracts (continued)

2. Recreation, Physical Education, Intramural Facilities -  
Central Facility (continued)

	<u>Low Bid</u>	<u>Est. of Cost</u>
<u>Plumbing Contract</u> (3 bids received 4-22-75)		
Limbach Company (Columbus)		
Base bid	\$ 492,200.00	\$ 550,000.00
Alt. P-1 Gymnastics gymnasium	+ 1,900.00	+ 2,000.00
Alt. P-4 Aqua bubbler in diving pool	+ 18,400.00	+ 20,000.00
Total Contract	<u>\$ 512,500.00</u>	<u>\$ 572,000.00</u>
<u>Heating and Ventilating Contract</u> (4 bids received 4-22-75)		
Limbach Company (Columbus)		
Base bid	\$ 824,500.00	\$ 1,200,000.00
Alt. HVAC-1 Gymnastics gymnasium	+ 49,000.00	+ 50,000.00
Total Contract	<u>\$ 873,500.00</u>	<u>\$ 1,250,000.00</u>
<u>Electrical Contract</u> (4 bids received 4-22-75)		
Electric Power Equipment Co. (Columbus)		
Base bid	\$ 609,167.00	\$ 800,000.00
Alt. E-1 Gymnastics gymnasium	+ 16,332.00	+ 35,000.00
Alt. E-2 Synthetic running track	+ 2,297.00	+ 1,000.00
Alt. E-4 Aqua bubbler in diving pool	+ 603.00	+ 1,700.00
Total Contract	<u>\$ 628,399.00</u>	<u>\$ 837,700.00</u>
<u>Total All Contracts</u>	<u>\$ 6,886,699.00</u>	<u>\$ 8,075,050.00</u>

Funds for this project have been provided from H. B. 985, Item 315-081 (Recreation, Physical Education, Intramural Facilities), and Budget Account 801295 (Gifts).

May 2, 1975 meeting, Board of Trustees

IV. BUSINESS AND ADMINISTRATION (continued)

C. Report of Award of Contracts (continued)

2a. Recreation, Physical Education, Intramural Facilities -  
Dispersed Facilities  
Supplemental Submittal to Award of Contracts on April 4, 1975

At the time bids were received for the Dispersed Facilities, Alternate Bids were included to add a Recreation Building on the West Campus, and to provide floor sealing of the floors of all three buildings. The presentation to the Board of Trustees on April 4, 1975, included only the base bid contracts.

Bids received on April 22, 1975, for the Central Facility make it possible for the University to increase the Contracts for the Dispersed Facilities to include previously advertised additional alternates.

The following Supplemental Presentation of Award of Contracts summarizes the April 4, 1975, presentation of Contracts and details the additional Alternates to provide revised Contracts, including construction of the West Campus Recreation Building and surface sealing for floors of all new Recreation Buildings.

	<u>Low Bid</u>	<u>Est. of Cost</u>
<u>General Contract</u>		
Payt Construction Co. Award presented 4-4-75	\$ 910,200.00	\$ 1,115,400.00
<u>Additional Award Proposed:</u>		
Alt. G-1 Add West Campus Building	+ 393,300.00	+ 550,000.00
Alt. G-2 Surface sealer on N & S buildings and S & W courts	+ 35,000.00	+ 33,000.00
Alt. G-3 Surface sealer for Alt. G-1 West Campus Building	+ 9,690.00	+ 9,000.00
Total Revised General Contract	<u>\$ 1,348,190.00</u>	<u>\$ 1,707,400.00</u>
<u>Heating and Ventilating Contract</u>		
Julian Speer Co. Award presented 4-4-75	\$ 16,010.00	\$ 36,000.00
<u>Additional Award Proposed:</u>		
Alt. HV-1 Add West Campus Building	+ 8,050.00	<u>20,000.00</u>
Total Revised Heating and Ventilating Contract	<u>\$ 24,060.00</u>	<u>\$ 56,000.00</u>



May 2, 1975 meeting, Board of Trustees

IV. BUSINESS AND ADMINISTRATION (continued)

C. Report of Award of Contracts (continued)

2a. Recreation, Physical Education, Intramural Facilities -  
Dispersed Facilities (continued)

Supplemental Submittal to Award of Contracts on April 4, 1975

	<u>Low Bid</u>	<u>Est. of Cost</u>
<u>Plumbing Contract</u>		
Julian Speer Co.		
Award presented 4-4-75	\$ 35,100.00	\$ 27,200.00
<u>Additional Award Proposed:</u>		
Alt. P-1 Add West Campus Building	+ 25,170.00	+ 24,000.00
	<u>60,270.00</u>	<u>51,200.00</u>
Total Revised Plumbing Contract		
	<u>\$ 60,270.00</u>	<u>\$ 51,200.00</u>
<u>Electric Contract</u>		
Electric Power Equipment Co.		
Award presented 4-4-75	\$ 104,168.00	\$ 171,400.00
<u>Additional Award Proposed:</u>		
Alt. E-1 Add West Campus Building	+ 53,309.00	+ 86,000.00
	<u>157,477.00</u>	<u>257,400.00</u>
Total Revised Electric Contract		
	<u>\$ 157,477.00</u>	<u>\$ 257,400.00</u>
<u>Total All Contracts</u>		
	<u>\$ 1,589,997.00</u>	<u>\$ 2,072,000.00</u>

Funds for this project have been provided from H. B. 985, Item 315-081 (Recreation, Physical Education, Intramural Facilities), and Budget Account 801295 (Gifts).

3. Lima Campus, Phase IV

	<u>Low Bid</u>	<u>Est. of Cost</u>
<u>General Contract</u>		
(8 bids received 4-16-75)		
Peterson Construction Co. (Wapakoneta, Ohio)		
Base bid	\$ 1,353,300.00	\$ 1,588,058.00
Alt. G-1 Add'l library area	+ 18,000.00	+ 25,000.00
Alt. G-2 Gym seats	+ 30,000.00	+ 30,000.00
Alt. G-3 Basketball backstops	+ 8,000.00	+ 10,800.00
Alt. G-4 Carpet for specified areas	+ 28,000.00	+ 30,100.00
Alt. G-5 Carpet for add'l library area	+ 2,000.00	+ 3,400.00
Alt. G-6 Scoreboard	+ 1,000.00	+ 10,000.00
	<u>1,440,300.00</u>	<u>1,697,358.00</u>
Total Contract		
	<u>\$ 1,440,300.00</u>	<u>\$ 1,697,358.00</u>

May 2, 1975 meeting, Board of Trustees

IV. BUSINESS AND ADMINISTRATION (continued)

C. Report of Award of Contracts (continued)

3. Lima Campus, Phase IV (continued)

	<u>Low Bid</u>	<u>Est. of Cost</u>
<u>Dental Equipment Contract</u>		
(3 bids received 4-16-75)		
Johnson-Stipher, Inc. (Cleveland, Ohio)	\$ 90,351.00	\$ 96,000.00
<u>Laboratory Equipment Contract</u>		
(2 bids received 4-16-75)		
Kewaunee Scientific Equipment (Statesville, North Carolina)	\$ 65,300.00	\$ 89,000.00
<u>Plumbing Contract</u>		
(5 bids received 4-16-75)		
B. F. Kohli, Inc. (Lima, Ohio)		
Base bid	\$ 182,600.00	\$ 273,333.00
Alt. P-1 Work for add'l library area	+ 500.00	+ 1,100.00
Total Contract	\$ 183,100.00	\$ 274,433.00
<u>Heating, Ventilating and Air Conditioning Contract</u>		
(2 bids received 4-16-75)		
B. F. Kohli, Inc. (Lima, Ohio)		
Base bid	\$ 646,795.00*	\$ 625,609.00
Alt. HVAC-1 Work for add'l library area	+ 12,250.00	+ 5,600.00
Total Contract	\$ 659,045.00	+ 631,209.00
<u>Electrical Contract</u>		
(3 bids received 4-16-75)		
Bigley Electric Co. (Findlay, Ohio)		
Base bid	\$ 347,585.00*	\$ 328,000.00
Alt. E-1 Electric work for add'l library area	+ 9,270.00	+ 9,000.00
Alt. E-2 Closing primary loops	+ 15,110.00	+ 16,000.00
Total Contract	\$ 371,965.00	\$ 353,000.00
<u>Total All Contracts</u>	<u>\$ 2,810,061.00</u>	<u>\$ 3,141,000.00</u>

\*The Heating, Ventilating and Air Conditioning Contract and the Electrical Contract exceeded the estimates. It is recommended that Controlling Board approval be obtained to award those contracts, since it is believed that no better bids would be obtained by re-advertising. Total of all bids within funds available for the project.

May 2, 1975 meeting, Board of Trustees

IV. BUSINESS AND ADMINISTRATION (continued)

C. Report of Award of Contracts (continued)

3. Lima Campus, Phase IV (continued)

Funds for this project have been provided from H. B. 985, Item 315-083 (Lima Branch, Ohio State University, in cooperation with North Central Technical College).

4. Traffic Improvements

	<u>Low Bid</u>	<u>Est. of Cost</u>
<u>General Contract</u>		
(4 bids received 4-3-75)		
Coady Contracting Co. (Columbus)		
Base bid	\$ 137,176.20	\$ 175,500.00
Alt. G-1 Traffic improvements South (extend College Road from Twelfth Avenue to Eleventh Avenue)	+ 57,023.50	+ 67,300.00
Alt. G-2 Southbound Neil Avenue - Woodruff Avenue intersection improvements	+ 23,112.00	+ 19,800.00
Alt. G-6 Neil Avenue relocation and parking lot extension	+ 97,159.50	+ 109,000.00
Total Contract	<u>\$ 314,471.20</u>	<u>\$ 371,600.00</u>
<u>Electrical Contract</u>		
(1 bid received 4-3-75)		
Jess Howard Electric Co. (Columbus)		
Base bid	\$ 49,500.00	\$ 67,000.00
Alt. E-1 Electric work for South improvements (Alt. G-1)	+ 5,200.00	+ 15,000.00
Alt. E-2 Electric work for south- bound Neil Avenue - Woodruff (Alt. G-2)	+ 5,500.00	+ 7,800.00
Alt. E-4 Electric work for Neil Avenue relocation and parking lot extension (Alt. G-6)	+ 10,500.00	+ 19,200.00
Total Contract	<u>\$ 70,700.00</u>	<u>\$ 109,000.00</u>
<u>Total All Contracts</u>	<u>\$ 385,171.20</u>	<u>\$ 480,600.00</u>

Funds have been provided from H. B. 985, Item 315-074 (Utilities and Renovation and Contract Repair).

May 2, 1975 meeting, Board of Trustees

IV. BUSINESS AND ADMINISTRATION (continued)

C. Report of Award of Contracts (continued)

5. Central Campus Energy Control Center - Phase I

	<u>Low Bid</u>	<u>Est. of Cost</u>
<u>Temperature Control Contract</u> (2 bids received 4-16-75)		
Johnson Controls, Inc. (Columbus)		
Base bid	\$ 185,480.00	\$ 195,000.00
Alt. TC-14 Includes sensor points for Campus Police Station	+ 6,180.00	+ 8,500.00
Total Contract	<u>\$ 191,660.00</u>	<u>\$ 203,500.00</u>

Acceptance of additional alternates is planned when Utilities and Renovation funds are available.

Funds for this project have been provided from H. B. 985, Item 315-074 (Utilities and Renovation).

6. Electrical Expansion--West Campus

	<u>Low Bid</u>	<u>Est. of Cost</u>
<u>Electrical Contract</u> (3 bids received 4-16-75)		
Electric Power Equipment Co. (Columbus)		
Base bid	\$ 251,828.00	\$ 281,752.00
Alt. E-1 Conduits and manholes from C & O Tracks to Kenny Road	+ 30,582.00	+ 33,376.00
Total Contract	<u>\$ 282,410.00</u>	<u>\$ 315,128.00</u>

Acceptance of additional alternates is planned when Utilities and Renovation funds are available.

Funds for this project have been provided from H. B. 985, Item 315-074 (Utilities and Renovation).

May 2, 1975 meeting, Board of Trustees

IV. BUSINESS AND ADMINISTRATION (continued)

C. Report of Award of Contracts (continued)

7. Haskett Hall--Remodeling

	<u>Low Bid</u>	<u>Est. of Cost</u>
<u>General Contract</u>		
(11 bids received 4-22-75)		
Ed Ross Construction (Westerville, Ohio)		
Base bid	\$ 24,950.00	\$ 32,872.00
Alt. G-1 Remodel for Teaching Laboratory	+ 2,450.00	+ 2,959.00
Alt. G-2 Replace overhead door	+ 3,500.00	+ 3,757.00
Alt. G-3 Construction corridor from main N/S corridor to rear stairwell	+ 2,100.00	+ 2,567.00
Total Contract	<u>\$ 33,000.00</u>	<u>\$ 42,155.00</u>
<u>Mechanical Contract</u>		
(3 bids received 4-22-75)		
Farber Corporation (Columbus)		
Base bid	\$ 23,800.00	\$ 35,103.00
Alt. HVAC-1 Room 406 air conditioning system	+ 3,900.00	+ 8,219.00
Total Contract	<u>\$ 27,700.00</u>	<u>\$ 43,322.00</u>
<u>Electrical Contract</u>		
(4 bids received 4-22-75)		
Mid-City Electric (Columbus)		
Base bid	\$ 12,888.00	\$ 20,325.00
Alt. E-1 Room 404 new lighting	+ 2,095.00	+ 4,417.00
Alt. E-2 New entrance light and exit signs	+ 416.00	+ 425.00
Alt. E-3 Hallway lights and exit signs	+ 430.00	+ 625.00
Total Contract	<u>\$ 15,829.00</u>	<u>\$ 25,792.00</u>
<u>Total All Contracts</u>	<u>\$ 76,529.00</u>	<u>\$ 111,269.00</u>

Funds for this project have been provided from H. B. 985 (Utilities and Renovation).

Upon motion of Mr. Hilliker, seconded by Mr. Harrod, the above award of contracts and expenditure of funds were approved and the action of the Vice President for Business and Administration was ratified by unanimous roll call vote.

May 2, 1975 meeting, Board of Trustees

IV. BUSINESS AND ADMINISTRATION (continued)

C. Report of Award of Contracts (continued)

8. Brown Hall--Installation of New Elevator

	<u>Low Bid</u>	<u>Est. of Cost</u>
<u>General Contract</u> (5 bids received 4-29-75)		
Arjay Construction Co., Inc. (Columbus)	\$ 31,258.00	\$ 48,000.00
<u>Mechanical Contract</u> (1 bid received 4-29-75)		
Muetzel Plumbing and Heating Co. (Columbus)	2,795.00	4,000.00
<u>Elevator Contract</u> (4 bids Received 4-29-75)		
Otis Elevator Co. (Columbus)	26,091.00*	25,900.00
<u>Electrical Contract</u> (5 bids received 4-29-75)		
Lester Hatfield Electric Co. (Columbus)	<u>3,600.00</u>	<u>8,100.00</u>
<u>Total All Contracts</u>	<u>\$ 63,744.00</u>	<u>\$ 86,000.00</u>

Funds for this project have been provided from H. B. 985, Item 315-074 (Utilities and Renovation).

9. Hamilton Hall--Electric Service

	<u>Low Bid</u>	<u>Est. of Cost</u>
<u>Electrical Contract</u> (2 bids received 4-29-75)		
Jess Howard Electric Co. (Columbus)	\$ 82,885.00	\$ 140,000.00

Funds for this project have been provided from H. B. 985, Item 315-074 (Utilities and Renovation).

---

\*The Elevator Contract exceeded the estimate of cost. It is recommended that Controlling Board approval be obtained to award this contract, since it is believed that no better bids would be obtained by readvertising. Total of bids within funds available for this project.

May 2, 1975 meeting, Board of Trustees

IV. BUSINESS AND ADMINISTRATION (continued)

C. Report of Award of Contracts (continued)

10. Masonry Repairs--Exterior, 1975

	<u>Low Bid</u>	<u>Est. of Cost</u>
<u>General Contract</u> (2 bids received 4-29-75) Coatings Application and Water- proofing Co. (St. Louis, Missouri)	\$ 158,000.00	\$ 282,000.00

Funds for this project have been provided from H. B. 985, Item 315-074 (Utilities and Renovation).

11. Evans Laboratory--Ventilation (Phase II, Third and Fourth Floors)

	<u>Low Bid</u>	<u>Est. of Cost</u>
<u>Mechanical Contract</u> (5 bids received 4-29-75) Farber Corporation (Columbus) Base bid	\$ 57,400.00	\$ 79,751.00
Alt. H-1 Equipment room extension	+ 8,200.00	+ 12,514.00
Alt. H-2 Auxiliary air to fourth floor	+ 22,000.00	+ 41,639.00
 Total Contract	<u>\$ 87,600.00</u>	<u>\$ 133,904.00</u>
 <u>Electrical Contract</u> (2 bids received 4-29-75) Jess Howard Electric Co. (Columbus) Base bid	\$ 11,889.00*	\$ 10,549.00
Alt. E-1 Auxiliary air to fourth floor	+ 11,913.00	+ 19,055.00
 Total Contract	<u>\$ 23,802.00</u>	<u>\$ 29,604.00</u>
 <u>Total All Contracts</u>	<u>\$ 111,402.00</u>	<u>\$ 163,508.00</u>

\*The Electrical Contract exceeded the estimate of cost. It is recommended that Controlling Board approval be obtained to award this contract, since it is believed that no better bids would be obtained by readvertising. Total of bids within funds available for the project.

Funds for this project have been provided from H. B. 985, Item 315-074 (Utilities and Renovation).

May 2, 1975 meeting, Board of Trustees

IV. BUSINESS AND ADMINISTRATION (continued)

C. Report of Award of Contracts (continued)

12. Lincoln Tower Alterations

	<u>Low Bid</u>	<u>Est. of Cost</u>
<u>General Contract</u> (4 bids received 5-2-75) Lincoln Construction Co. (Columbus)	\$ 598,000.00	\$ 775,000.00
<u>Plumbing Contract</u> (3 bids received 5-2-75) Muetzel Plumbing & Heating Co. (Columbus)	66,888.00*	65,000.00
<u>Heating, Ventilating and Air Conditioning Contract</u> (2 bids received 5-2-75) Kirk Williams Co. (Grove City, Ohio)	246,000.00*	170,000.00
<u>Fire Protection Contract</u> (6 bids received 5-2-75) Capital Fire Protection Co. (Columbus)	161,348.00	250,000.00
<u>Electrical Contract</u> (1 bid received 5-2-75) Electric Power Equipment Co. (Columbus)	314,098.00**	170,000.00
<u>Total All Contracts</u>	<u>\$ 1,386,334.00</u>	<u>\$ 1,430,000.00</u>

\*The Plumbing Contract and the Heating, Ventilating and Air Conditioning Contract exceeded the estimates. It is recommended that Controlling Board approval be obtained to award these contracts, since it is believed that no better bids would be obtained by readvertising. Total of all bids within funds available for the project.

\*\*This bid was over the estimate of cost. Rebid on this project was authorized by the Board on May 2, 1975. Complete action regarding this job will be reported at the June meeting.

Funds are available in H. B. 985, Item 315-074 (Utilities and Renovation).

Upon motion of Mr. Hilliker, seconded by Mr. Harrod, the above award of contracts and expenditure of funds and authorization to award selected additional alternates within the budgeted funds were approved and the action of the Vice President for Business and Administration was ratified by unanimous roll call vote.



IV. BUSINESS AND ADMINISTRATION (continued)

D. Other

1. Agreement Between The Ohio State University and the Ohio Department of Mental Health and Mental Retardation Regarding the Farming Operation of the Apple Creek State Institute, Apple Creek, Ohio

President Enarson recommended that the following Resolution be adopted:

WHEREAS, the Department of Mental Health and Mental Retardation (DMHMR), as a major agency of State Government in Ohio, has been provided jurisdiction and responsibility for the custody, control, operation, and management of certain land areas and other resources as required and used in the farming operations which are conducted at the Apple Creek State Institute (ACSI) at Apple Creek, Ohio; and

WHEREAS, the DMHMR has for a number of years conducted farming operations at ACSI for the benefit of not only the patients located at Apple Creek but also for limited support to the integrated network of agricultural operations for the care of patients under the jurisdiction of the DMHMR at other locations in Ohio; and

WHEREAS, historically, agricultural land, equipment, facilities, and other resources at various state-owned institutional farms have, on different occasions, been made available to the College of Agriculture and Home Economics, The Ohio State University, and the Ohio Agricultural Research and Development Center, Wooster, for use in instructional, research, demonstrational and experimental programs in agriculture; and

WHEREAS, central to the role and mission of the Agricultural Technical Institute at Wooster (ATI), (a part of the College of Agriculture and Home Economics of The Ohio State University), is the need for students enrolled in any one of eleven specialized curricula to have the opportunity to receive practical instruction regarding the application of the latest information, data, methods, technology, and approved practices pertinent to the specialized field of agriculture being pursued; and

WHEREAS, not only is it important that instructors make use of an enriched academic setting which includes classrooms, laboratories, and academic support areas which are usually found on college campuses, but it is essential that an operational setting paralleling actual commercial operations found in agriculture be provided for instructional purposes; and

WHEREAS, it is of utmost importance in technical education that the student be provided opportunities to gain practical experience under actual operating conditions; and

May 2, 1975 meeting, Board of Trustees

IV. BUSINESS AND ADMINISTRATION (continued)

D. Other (continued)

1. Agreement Between The Ohio State University and the Ohio Department of Mental Health and Mental Retardation Regarding the Farming Operation of the Apple Creek State Institute, Apple Creek, Ohio  
(continued)

WHEREAS, at the present time, the need is urgent for ATI to secure and develop farming operations which might be utilized in order to provide students who are enrolled in the various agronomic, horticultural, agricultural business, agricultural mechanics and engineering, and animal science technologies with the opportunities to:

1. Initiate and/or improve their operational abilities with each of the different types of farm tools and equipment, including power units and implements and, to gain experience in the handling of all materials, farm animals, and chemicals common to animal and crop enterprises.
2. Secure a high level of coordination and articulation of the efforts made by instructors in campus classrooms and laboratories with actual farming programs.
3. Have provided on a twelve-month basis, an operating farming unit of appropriate scale, enterprise diversity and economic size for use in the study of farm organization and management and other agricultural business courses offered at ATI, since the instructional program at ATI is conducted on a 12-month basis and there is need, therefore, for student involvement in farming enterprises throughout the year.
4. Benefit from improvement upon existing patterns and within a commercial farming operational setting, by being able to observe and compare the results of the limited use of new strains and varieties of plants, to contrast new and recommended techniques of agricultural production, to work with a limited number of different species of farm animals possessing improved qualities, and to secure limited experience in operating and making use of newly developed models of equipment and machinery, and to evaluate the performance of new products for use in farming; and

IV. BUSINESS AND ADMINISTRATION (continued)

D. Other (continued)

1. Agreement Between The Ohio State University and the Ohio Department of Mental Health and Mental Retardation Regarding the Farming Operation of the Apple Creek State Institute, Apple Creek, Ohio  
(continued)

WHEREAS, the ATI has the need for considerable acreage of farmland and the availability of various farm enterprise operations including those associated with producing agricultural crops and rearing of farm animals for use as agricultural laboratories in support of efforts to achieve many of the educational goals and objectives of the ATI; and

WHEREAS, presently there are only limited land and other related farming resources and agricultural enterprises available for use by the ATI for farm laboratories; and

WHEREAS, it is deemed by the Department of Mental Health and Mental Retardation and the Board of Trustees, The Ohio State University, that major benefits and advantages can be secured, not only to the parties hereto, but also to the taxpayers of the State of Ohio in general, through joint efforts on the part of the DMHMR and the ATI to conduct the farming operations at the Apple Creek State Institute;

NOW THEREFORE, BE IT RESOLVED, that in view of the foregoing circumstances, The Ohio State University and the Department of Mental Health and Mental Retardation, the State of Ohio, shall enter into an agreement whereby the Agricultural Technical Institute, The Ohio State University, and the Department of Mental Health and Mental Retardation, the State of Ohio, shall cooperate in the farming operation of the Apple Creek State Institute, at Apple Creek, Ohio, and that the President and/or Vice President for Business and Administration be and they are hereby authorized to cause said agreement to be prepared and executed.

Upon motion of Mrs. James, seconded by Mr. Dunlap, the Board of Trustees adopted the foregoing resolution by unanimous roll call vote.

2. Academy for Contemporary Problems  
Termination of Agreement with Battelle Memorial Institute

President Enarson recommended that the following resolution be adopted:

WHEREAS during the past year officials of The Ohio State University and of Battelle Memorial Institute have held discussions regarding the future of the Academy for Contemporary Problems.

IV. BUSINESS AND ADMINISTRATION (continued)

D. Other (continued)

2. Academy for Contemporary Problems  
Termination of Agreement with Battelle Memorial Institute (continued)

WHEREAS the University and the Battelle Memorial Institute believe the Academy must continue to place primary emphasis upon improving the processes of community problem-solving through direct collaboration between those who do research and those who must use it to meet public needs.

WHEREAS the future of the Academy will be best served if it is an independent public institution, with an initial endowment by Battelle, and receiving the support of other public organizations as well as gifts and grants from a variety of public agencies and individuals.

NOW THEREFORE BE IT RESOLVED that The Ohio State University and the Battelle Memorial Institute, by mutual consent, agree to terminate, effective June 30, 1975, their agreement for joint sponsorship of the Academy for Contemporary Problems, as authorized by this Board of Trustees on October 7, 1970. While Ohio State University will no longer provide annual financial support to the Academy, the University will cooperate in areas of mutual interest as the Academy develops as an independent public foundation.

Upon motion of Dr. Sirak, seconded by Mr. Hilliker, the Board of Trustees adopted the foregoing resolution by unanimous roll call vote.

E. Report of Controlling Board Actions Pertaining  
to The Ohio State University

- 16 Approves the release of \$3,056,344.00 from H.B. 985, Item 315-082 (Mansfield Campus - Phase IV) for awarding the construction contracts for the project known as "Mansfield Campus - Phase IV."
- 17 Approves the release of an additional \$145,000.00 from H.B. 985, Item 315-082 (Mansfield Campus - Phase IV) for the full release of remaining construction funds for the Mansfield Campus - Phase IV project. (See Release Request Number 16 which released \$3,056,344.00.)
- 18 Approves the release of \$1,240,000.00 from H.B. 985, Item 315-081 (Recreation, Physical Education, Intramural Facilities) for awarding the construction contracts for the project known as "Recreation, Physical Education, Intramural Facilities - Dispersed Facilities."
- 20 Approves the release of \$3,767,500.00 from H.B. 985, Item 315-079 (Main Library Addition) for awarding the construction contracts for the project known as "Main Library Addition."

May 2, 1975 meeting, Board of Trustees

IV. BUSINESS AND ADMINISTRATION (continued)

E. Report of Controlling Board Actions Pertaining to The Ohio State University (continued)

- 21 Approves the release of \$960,000.00 from H.B. 985, Item 315-071 (College of Optometry Clinical Facility) for awarding the construction contracts for the project known as "Starling Loving Hall - Remodeling for the College of Optometry."
- 22 Approves the release of \$1,838,554.00 from H.B. 985, Item 315-088 (The Ohio State University in cooperation with Marion Technical College) for awarding the construction contracts for the project known as "Marion Campus - Phase II."

\*

\*

\*

V. REPORTS

A. Report on Honors Received

President Enarson reported to the Board on recent honors received by four Ohio State faculty members, who were among recently announced recipients of 1975 Guggenheim Fellowship Awards. They are: Dr. Richard D. Altick, Regents' Professor of English; Dr. Ilse Lehiste, Professor of Linguistics; Dr. David H. Miles, Associate Professor of German; and Dr. Andrew Wojcicki, Professor of Chemistry.

B. Report on the University's Investment Portfolio

The report dated May 2, 1975, as submitted to the Finance Committee of the Board of Trustees by Mr. Ernest W. Leggett pertaining to the University's Investment Portfolio, was received and ordered to be filed with the official records of the Board of Trustees.

\*

\*

\*

VI. PRESENTATION OF CERTIFICATE

President Enarson expressed his mixed emotions concerning the expiration on the thirteenth of May of Don Hilliker's term as a member of this Board. He said, "I have had the great pleasure of working with Don Hilliker, both in his role as a member of the Board and as the Chairman. This has been rewarding in ways that I can't even begin to describe. Don, it is my pleasure on behalf of the University to present you with this certificate."

In recognition of  
**Outstanding Service**

as a member of the  
**Board of Trustees**

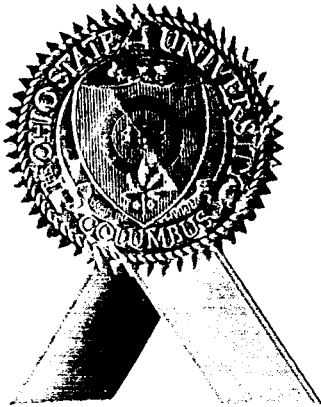
and a dedicated custodian  
of our educational heritage

**The Ohio State University**

conveys its sincere appreciation  
and best wishes to

**Don M. Hilliker**

a loyal alumnus and friend of this University



In grateful acknowledgement this certificate is presented at The Ohio State University on the second day of May in the year of our Lord nineteen hundred and seventy-five and of the University the one hundred and sixth.

*Harold L. Erwin*      *Bonara J. ...*

President

Secretary

May 2, 1975 meeting, Board of Trustees

VII. TRIBUTES TO MR. SAFFORD

Mr. Dunlap, on behalf of the Board, then commended Mr. Safford for his many contributions to the Board during his term as Chairman.

Mr. Hilliker said, "I think very, very few people realize that the advice which we have received from Mr. Safford has put this University hundreds of thousands of dollars ahead of the game."

Mr. Safford thanked the members of the Board for their appreciation of his work.

\*

\*

\*

Thereupon the Board adjourned to meet Friday, June 6, 1975, at The Ohio State University Fawcett Center for Tomorrow, Columbus, Ohio, at 1:30 p.m.

Attest:

\_\_\_\_\_  
Edward Q. Moulton  
Secretary

\_\_\_\_\_  
William C. Safford  
Chairman

Page 512 Blank



APPENDIX IV

THE OHIO STATE UNIVERSITY  
COMMENCEMENT CONVOCATION

June 13, 1975

Page 514 Blank

## The Recipients of Honors

### EMIL BOZLER

Doctor of Science

Emil Bozler has exhibited a rare intellectual attitude in his unselfish concern for progress in the discipline of muscle physiology. His intense desire to understand the complexities of nerve and muscle has directed the uncovering of the mysteries of muscle function. His scholarship, research, lectures, and publications not only have brought him distinction; they have provided and will continue to provide the inspiration necessary to encourage significant contributions to physiology from his students and peers. The Ohio State University is honored to confer upon Emil Bozler the degree of Doctor of Science, *honoris causa*.

### LEON N. COOPER

Doctor of Science

Leon N. Cooper has carried out with enthusiasm and effectiveness the responsibilities indigenous to the scientific province. Investigating the intricacies of theoretical physics, he assisted in the development of an important theory of superconductivity which earned him the Nobel Prize. His readiness to disseminate his findings through teaching and publication mark him as an exemplary disciple of the humanitarian ideal—the giving of himself and his knowledge for improved life for man. The Ohio State University is honored to confer upon Leon N. Cooper the degree of Doctor of Science, *honoris causa*.

### LAWRENCE A. CREMIN

Doctor of Humane Letters

Lawrence A. Cremin, through insight and research, has steered the study of our nation's educational heritage to a phase of development long awaited by scholars in that field. His prize-winning publications dealing with the history of American education are unequalled in excellence and popularity. Because he is dedicated to understanding and bettering America's educational system by searching its past, and because he is determined that our future shall benefit from its revelations, The Ohio State University is honored to confer upon Lawrence A. Cremin the degree of Doctor of Humane Letters, *honoris causa*.

### CHAUNCEY D. LEAKE

Doctor of Science

Chauncey D. Leake has accepted the challenge to add knowledge to our medical portfolio both for the benefit of society and the enhancement of higher education ideals. His series of achievements in the pharmacological sciences has touched all of our lives. Many life-saving medicines are available for professional use today through his personal efforts. In recognition of one man's ability to change the course of medical treatment and to save countless lives, The Ohio State University is honored to confer upon Chauncey D. Leake the degree of Doctor of Science, *honoris causa*.

### DONALD J. McPHERSON

Doctor of Science

Donald J. McPherson has recognized the effects of metallurgical research and discovery on the successful functioning of our society, and has worked toward the perfection of new and useful metal alloys that will contribute enduringly to our environmental quality. Through his publications and lectureships he has been an effective participant in the stimulation of young scientific talent. In recognition of his unique contributions to metal science, The Ohio State University is honored to confer upon Donald J. McPherson the degree of Doctor of Science, *honoris causa*.

### WILLIAM B. SAXBE

Doctor of Laws

William B. Saxbe, a native of Ohio and a respected son of this University, has responded to the expectations of his constituents with regard for their voice. In the courtroom, in the United States Senate and in the high station of the United States Attorney General he has initiated and supported the framing of laws designed to make America what our early fathers meant it to be—the land of the free for all. Through his confidence born of knowledge and conviction he has rekindled hope in this nation as our ambassador to India. The Ohio State University is honored to confer upon William B. Saxbe the degree of Doctor of Laws, *honoris causa*.

Page 516 Blank

## Graduate School

Dean: Jules B. LaPidus

### Doctor of Philosophy

One hundred and fifty-one candidates

Andris Adamovics, Columbus  
B.S. (Portland State College); M.S. (University of Washington)  
*Field of Specialization:* Pharmacology  
*Adviser:* Dr. Daniel Couri

Sulaiman Adeniyi Adekola, Lagos, Nigeria  
B.S. (Ahmadu Bello University); M.S.  
*Field of Specialization:* Electrical Engineering  
*Adviser:* Dr. Dean T. Davis

Susan Hall Ambler, Naperville, Ill.  
B.A. (University of Oklahoma); M.A.  
*Field of Specialization:* Sociology  
*Adviser:* Dr. Christen T. Jonassen

Anne-Marie Josephe Artis, Paris, France  
S.H. (Conservatoire National de Musique, Nancy); M.A.  
*Field of Specialization:* Music  
*Adviser:* Dr. Richard H. Hoppin

Daniel Millen Atwood, Washington, D.C.  
B.S. (University of Wisconsin, Madison); A.M. (George Washington University)  
*Field of Specialization:* English  
*Adviser:* Dr. Rolf H. Soellner

Paul Chungmoo Auh, Seoul, Korea  
B.S. (Ohio University); M.S.  
*Field of Specialization:* Chemical Engineering  
*Adviser:* Dr. Christie J. Geankoplis

Faqir Singh Bagi, Kapurthala, India  
B.Sc., M.Sc. (Punjab Agricultural University)  
*Field of Specialization:* Agricultural Economics and Rural Sociology  
*Adviser:* Dr. Norman Rask

Francis Anthony Bennett, Louisville, Ky.  
B.A. (Saint Louis University); M.A.  
*Field of Specialization:* Psychology  
*Adviser:* Dr. Henry Leland

Roland Bernard Berty, San Jose, Costa Rica  
Professor de Educacion Secundaria (Universidad de Costa Rica)  
*Field of Specialization:* Education  
*Adviser:* Dr. Herbert L. Coon

Gordon Herman Bokelman, West Simsbury, Conn.  
B.A. (Indiana University)  
*Field of Specialization:* Pharmacy  
*Adviser:* Dr. Lester A. Mitscher

Paul Stewart Brantley, Columbus  
B.A. (Atlantic Union College); M.A. (Andrews University)  
*Field of Specialization:* Education  
*Adviser:* Dr. Robert R. Lange

Henry M. Brooks, Union Springs, Ala.  
B.S., M.Ed. (Tuskegee Institute)  
*Field of Specialization:* Agricultural Education  
*Adviser:* Dr. Clarence J. Cunningham

Frederick T. Burkey, Ashland  
B.A. (Ashland College); B.D. (Ashland Theological Seminary); M.R.E. (Southern Baptist Theological Seminary); M.A.  
*Field of Specialization:* Education  
*Adviser:* Dr. William D. Dowling

Benjamin Andrew Burrell, New Britain, Conn.  
B.S. (College of the Holy Cross); M.S.  
*Field of Specialization:* Mathematics  
*Adviser:* Dr. Joseph A. Zilber

William Francis Cashel, San Antonio, Tex.  
B.A., M.S. in Education (Saint John's University)  
*Field of Specialization:* Psychology  
*Adviser:* Dr. Henry R. Angelino

Helen Geracimos Chapin, Yellow Springs  
B.A., M.A. (University of Hawaii)  
*Field of Specialization:* English  
*Adviser:* Dr. Thomas Woodson

Sun-I Chen, Taipei, Taiwan  
B.S. (Chung Cheng Institute of Technology); M.S. (National Tsinghua University); M.S.  
*Field of Specialization:* Chemical Engineering  
*Adviser:* Dr. Thomas L. Sweeney

Harvey Norman Chernoff, Atlanta, Ga.  
B.S., M.S. (University of Georgia)  
*Field of Specialization:* Pathology  
*Adviser:* Dr. Keith E. Richardson

George David Coder, Lakewood  
B.S., M.A.  
*Field of Specialization:* History  
*Adviser:* Dr. Mary Young

Kenneth Cohen, Brooklyn, N. Y.  
B.A., M.S.Ed. (Queens College)  
*Field of Specialization:* Physical Education  
*Adviser:* Dr. Edward L. Fox

Brian Patrick Conley, Webster Groves, Mo.  
B.A. (Saint Louis University); M.A.  
*Field of Specialization:* English  
*Adviser:* Dr. Daniel R. Barnes

Clyde Lawrence Cooper, Williamstown, W. Va.  
B.S. (Marietta College); A.M. (West Virginia University)  
*Field of Specialization:* Zoology  
*Adviser:* Dr. John L. Crites

Darryl John Costin, Lorain  
B.S. (Case Institute of Technology); M.S.  
*Field of Specialization:* Metallurgical Engineering  
*Adviser:* Dr. Franklin H. Beck

Walter Lee Crockett, Jackson, Miss.  
B.S. (Tuskegee Institute); M.A. (Ball State University)  
*Field of Specialization:* Education  
*Adviser:* Dr. James B. Gunnell

Manabendra Nath Dat, Stillwater, Okla.  
B.Sc. (Agra University); B.Tech. (Indian Institute of Technology); M.S. (Oklahoma State University)  
*Field of Specialization:* Civil Engineering  
*Adviser:* Dr. Kamran Majidzadeh

- Richard Allen Davis, Columbus  
B.S.  
*Field of Specialization*: Pharmacology  
*Adviser*: Dr. Philip B. Hollander
- John LeCocq Dennis, Columbus  
B.A. (Grinnell College); M.S.  
*Field of Specialization*: Mathematics  
*Adviser*: Dr. Earl J. Mickle
- Verl Eldon Dennis, Brandonville, W. Va.  
B.S. (West Virginia University)  
*Field of Specialization*: Education  
*Adviser*: Dr. John C. Belland
- Arnold Harry Deutchman, Akron  
B.S. (Ohio University); M.S.  
*Field of Specialization*: Nuclear Engineering  
*Adviser*: Dr. Don W. Miller
- Margaret Klempay DiBlasio, Youngstown  
B.S.Ed. (Youngstown State University); M.A. (Rosary College)  
*Field of Specialization*: Art Education  
*Adviser*: Dr. Arthur Efland
- Patti Sue Dodds, Pittsford, N. Y.  
B.S. (Western Illinois University); M.A.  
*Field of Specialization*: Physical Education  
*Adviser*: Dr. Daryl L. Siedentop
- John Laurence Donaldson, Lyndhurst  
B.S. (Case Western Reserve University); M.S.  
*Field of Specialization*: Mathematics  
*Adviser*: Dr. Hans Zassenhaus
- Leonard Eliezer Dor, Holon, Israel  
B.Sc., M.Sc. (Tel Aviv University)  
*Field of Specialization*: Mathematics  
*Adviser*: Dr. William B. Johnson
- Patrick Myron Eggleston, Altamont, N. Y.  
B.S. (Michigan State University); M.S. (Cornell University)  
*Field of Specialization*: Zoology  
*Adviser*: Dr. Sheldon I. Lustick
- William McKenzie Falls, Muncie, Ind.  
B.A. (Hanover College); M.S.  
*Field of Specialization*: Anatomy  
*Advisers*: Dr. James S. King and Dr. George F. Martin
- Wayne Roland Fontaine, South Charleston, W. Va.  
B.S. (University of Wisconsin); M.S.  
*Field of Specialization*: Chemical Engineering  
*Adviser*: Dr. Edward J. Freeh
- Serge Fournier, Quebec, Que., Canada  
B.S. (University of Laval); M.S.  
*Field of Specialization*: Computer and Information Science  
*Adviser*: Dr. Ming T. Liu
- Thomas Wesley Frew, Philadelphia, Pa.  
B.A. (Rockhurst College); M.Ed. (Temple University)  
*Field of Specialization*: Education  
*Adviser*: Dr. Thomas M. Stephens
- Frank Bailey Gelder, Barberton  
B.S. (Salem College); M.S. (University of Akron)  
*Field of Specialization*: Pathology  
*Advisers*: Dr. G. Adolph Ackerman and Dr. Colin MacPherson
- Christ Leo George, Youngstown  
B.S. (University of Michigan); M.A.  
*Field of Specialization*: Education  
*Adviser*: Dr. Herbert L. Coon
- Mark Stanley Gerber, St. Paul, Minn.  
B.S. (Worcester Polytechnical Institute); M.S.  
*Field of Specialization*: Nuclear Engineering  
*Adviser*: Dr. Don W. Miller
- George Charles Gibson, Bonner Springs, Kan.  
B.Sc. (United States Air Force Academy); M.A.  
*Field of Specialization*: Political Science  
*Adviser*: Dr. Aage R. Clausen
- Patrick Sidney Gilvary, Kettering  
B.S.Edu. (University of Dayton); M.A.Educ. (Xavier University)  
*Field of Specialization*: Theatre  
*Adviser*: Dr. Roy H. Bowen
- Nancy Ellen Glaser, Deal Park, N.J.  
B.A. (Hofstra University); M.A.  
*Field of Specialization*: Education  
*Adviser*: Dr. Paul R. Klohr
- Glenn Donald Glazier, Groveland, Mass.  
B.S. (Kansas State University); M.O.Ed. (University of New Hampshire)  
*Field of Specialization*: Agricultural Education  
*Adviser*: Dr. Ralph E. Bender
- Kathleen Clegg Gordon, Columbus  
B.S., M.A.  
*Field of Specialization*: Communication  
*Adviser*: Dr. John W. Black
- Kenneth Alan Gould, Ithaca, N. Y.  
A.B. (Cornell University)  
*Field of Specialization*: Chemistry  
*Adviser*: Dr. Harold Shechter
- Sandra Greenfield-Rosso, Saline, Mich.  
A.B. (Central Michigan University); M.A.  
*Field of Specialization*: Communication  
*Adviser*: Dr. John W. Black
- Eric Anderson Grulke, Berea  
B.Ch.E., M.S.  
*Field of Specialization*: Chemical Engineering  
*Adviser*: Dr. Aldrich Syverson
- Herbert Wayne Hanna, Rosemere, Que., Canada  
B.Sc. (George Williams College); B.S.W., M.S.W. (University of Manitoba)  
*Field of Specialization*: Social Work  
*Adviser*: Dr. Richard R. Medhurst
- David Cliffe Hayes, Moorabbin, Australia  
Bach. of Econ. (Monash University); M.A.  
*Field of Specialization*: Accounting  
*Adviser*: Dr. Thomas J. Burns

Leonard L. Haynes, III, Springfield, Ill.  
B.S. (Southern University and Agricultural and  
Mechanical College); M. A. (Carnegie-Mellon University)  
*Field of Specialization:* Education  
*Adviser:* Dr. William Moore, Jr.

Ronald Keith Hodgson, Utica  
B.S.  
*Field of Specialization:* Zoology  
*Adviser:* Dr. George W. Wharton

David Gene Hoovler, Columbus  
B.S.Ed., M.A.  
*Field of Specialization:* Political Science  
*Adviser:* Dr. Chadwick F. Alger

Joseph Anthony Horton, Washington, D.C.  
B.A., M.A. (Oblate College); M.A.  
*Field of Specialization:* Psychology  
*Adviser:* Dr. W. Bruce Walsh

Ruth Klingensmith Hough, Columbus  
B.S.Ed., M.A.  
*Field of Specialization:* Education  
*Adviser:* Dr. Alexander Frazier

Richard Lee Howard, Boulder, Colo.  
B.A. (University of Colorado); M.A.  
*Field of Specialization:* Psychology  
*Adviser:* Dr. Donald R. Meyer

Richard Hale Hunt, Charleston, W. Va.  
A.B. (Asbury College); M.A.Ed. (University of  
Kentucky)  
*Field of Specialization:* Education  
*Adviser:* Dr. Marion J. Conrad

Joseph Ira Hyler, Brooklyn, N. Y.  
A.B. (Brooklyn College); M.A.  
*Field of Specialization:* Political Science  
*Adviser:* Dr. John R. Champlin

Keith Merrill Irvin, New Castle, Ind.  
B.S. (Purdue University); M.S.  
*Field of Specialization:* Animal Science  
*Adviser:* Dr. Louis A. Swiger

D. Peter Jayapandian, Rasipuram, India  
B.Sc., M.Sc. (University of Madras); M.S.  
*Field of Specialization:* Physics  
*Adviser:* Dr. L. Carlton Brown

Christopher Crawford Jones, North Bridgton, Me.  
B.A. (Northwestern University); M.S.  
*Field of Specialization:* Physics  
*Adviser:* Dr. John H. Shaw

Kuang-shi Ju, Hsien, Taiwan  
B.S.E. (Cheng Kung University); M.S. (University of  
Cincinnati)  
*Field of Specialization:* Engineering Mechanics  
*Adviser:* Dr. Karl K. Stevens

Richard Thomas Jurasek, Lorain  
A.B. (Ohio University); M.A.  
*Field of Specialization:* German  
*Adviser:* Dr. Hugo Bekker

Molly Jane Keith, Hollis, Okla.  
B.S., M.S. (Oklahoma State University of Agriculture  
and Applied Science)  
*Field of Specialization:* Home Economics  
*Adviser:* Dr. Francille M. Firebaugh

Margaret Kohler Kempf, Cincinnati  
B.A., M.A. (University of Cincinnati)  
*Field of Specialization:* Education  
*Adviser:* Dr. Donald R. Bateman

Sidney Michael Kirschner, Cleveland  
A.B., M.S. (Western Reserve University)  
*Field of Specialization:* Physics  
*Adviser:* Dr. K. Narahari Rao

Kenneth Duns Korkan, Tustin, Calif.  
B.A.A.E.; M.S.A.E. (University of Southern California)  
*Field of Specialization:* Aeronautical and Astronautical  
Engineering  
*Adviser:* Dr. John D. Lee

David Clinton Langstaff, Lima  
B.Met.E.  
*Field of Specialization:* Metallurgical Engineering  
*Adviser:* Dr. John P. Hirth

Regina Rose Lansing, Orange, N. J.  
B.A. (University of Rochester); M.S.  
*Field of Specialization:* Anatomy  
*Adviser:* Dr. Ronald L. St. Pierre

Mary Jean Laubenfels, Dayton  
A.B. in Psych. (Stanford University); M.A.  
*Field of Specialization:* Education  
*Adviser:* Dr. Wilfred J. Eberhart

David Bruce Lause, Delphos  
B.S. (Ohio Northern University); M.S.  
*Field of Specialization:* Anatomy  
*Adviser:* Dr. Ronald L. St. Pierre

Michael Francis Lemanski, Jr., Cleveland  
B.S. (University of Dayton); M.S.  
*Field of Specialization:* Chemistry  
*Adviser:* Dr. Eugene P. Schram

Robert Lee Lindamood, Worthington  
B.A. (Marietta College); B.D., M.A. in C.E. (Union  
Theological Seminary); A.M. (Columbia University)  
*Field of Specialization:* Education  
*Adviser:* Dr. William D. Dowling

Peter Lloyd, Manchester, England  
B.Sc.Econ. (University of Hull); M.A.  
*Field of Specialization:* History  
*Adviser:* Dr. Bradley Chapin

Raymond Julius Luebbbers, Akron  
B.S.E.E. (University of Cincinnati); M.S.  
*Field of Specialization:* Electrical Engineering  
*Adviser:* Dr. Leon Peters

Winifred Margarete Levy Lyday, Columbus  
B.A., M.A. (Northwestern University)  
*Field of Specialization:* Sociology  
*Adviser:* Dr. Simon Dinitz

- Joseph Leo Mabon, Alexandria, Va.  
B.A. (Saint Francis College); M.S.W. (Catholic University of America); M.S.  
*Field of Specialization:* Interdisciplinary, Preventive Medicine and Social Work  
*Advisers:* Dr. Richard R. Lanese and Dr. Joseph J. Parnicky
- Mostafa Hassan Mahmoud, Columbus  
B.C.E. (Cairo University); M.S.  
*Field of Specialization:* Civil Engineering  
*Adviser:* Dr. Alfred G. Bishara
- Brenda Munsey Mapel, Dayton  
B.S. (University of Dayton); M.A.  
*Field of Specialization:* Education  
*Adviser:* Dr. Gerald Reagan
- Chil Harvey Howard Marmurek, Downsview, Ont., Canada  
B.A. (University of Toronto); M.A.  
*Field of Specialization:* Psychology  
*Adviser:* Dr. Neal Johnson
- Alan Jackson McAllister, Shelbyville, Ky.  
B.S.Ag. (University of Kentucky); M.S.  
*Field of Specialization:* Dairy Science  
*Adviser:* Dr. Walter R. Harvey
- James Paul McGregor, DeKalb, Ill.  
B.A. (Northern Illinois University); M.A.  
*Field of Specialization:* Political Science  
*Adviser:* Dr. Philip D. Stewart
- Donald Chisholm McKenzie, Point Roberts, Wash.  
B.S. (University of Guelph); M.P.E. (University of British Columbia)  
*Field of Specialization:* Physical Education  
*Adviser:* Dr. Edward L. Fox
- Maurice James McSaveney, Christchurch, New Zealand  
B.Sc. Honors (University of Canterbury)  
*Field of Specialization:* Geology and Mineralogy  
*Adviser:* Dr. Colin Bull
- Patricia Gober Meyers, Kenosha, Wis.  
B.S.E. (Wisconsin State University); M.A.  
*Field of Specialization:* Geography  
*Adviser:* Dr. George Demko
- James Enrique Mezzich, Callao, Peru  
M.D. (Universidad Peruana); M.A., M.S.  
*Field of Specialization:* Psychology  
*Adviser:* Dr. James R. Erickson
- Harold Arthur Mielke, Celina  
B.B.A. (University of Minnesota); M.B.A.  
*Field of Specialization:* Business Administration  
*Adviser:* Dr. David L. Bickelhaupt
- John Graham Murtaugh, Dayton  
B.S. (University of Dayton); M.S. (University of Idaho)  
*Field of Specialization:* Geology and Mineralogy  
*Adviser:* Dr. George E. Moore, Jr.
- Bijan Naghshineh-Pour, Ajwaz, Iran  
B.S. (University of Nottingham, England); M.S. (Texas Agricultural and Mechanical University)  
*Field of Specialization:* Agronomy  
*Adviser:* Dr. Eugene O. McLean
- Richard W. Nelson, Nashville, Tenn.  
B.A. (Capital University); M.A.  
*Field of Specialization:* Education  
*Adviser:* Dr. Bernard Mehl
- Steven Robert Nelson, Battleground, Wash.  
B.A. (Western Washington State College); M.A.  
*Field of Specialization:* Education  
*Adviser:* Dr. Robert R. Lange
- William Francis O'Brien, Westfield, Mass.  
B.A. (LeMoyné College); M.A.  
*Field of Specialization:* Psychology  
*Adviser:* Dr. W. Bruce Walsh
- Carol Maria Ordille, Hammonton, N. J.  
B.S. (Temple University); M.S. (Villanova University)  
*Field of Specialization:* Biostatistics  
*Adviser:* Dr. Jagdish S. Rustagi
- David Kinney Osborne, Coral Gables, Fla.  
B.A. (Hiram College); M.A.  
*Field of Specialization:* Communication  
*Adviser:* Dr. John W. Black
- Francis Richard Ostdiek, Dayton  
B.S. in M.E., M.Sc. (University of Nebraska)  
*Field of Specialization:* Mechanical Engineering  
*Adviser:* Dr. Helmuth W. Engelman
- Michael Patrick Ouckama, Coral Gables, Fla.  
B.S. (State University of New York College at Oswego); M.Ed. (University of Miami)  
*Field of Specialization:* Education  
*Adviser:* Dr. Raphael O. Nystrand
- Craig Newell Packard, Oberlin  
A.B. (Oberlin College); M.A.  
*Field of Specialization:* Slavic Languages and Literatures  
*Adviser:* Dr. Mateja Matejic
- Michael Andrew Patrick, Orlando, Fla.  
B.S. (Florida State University); M.S.  
*Field of Specialization:* Microbiology  
*Adviser:* Dr. Patrick R. Dugan
- Edward Lawrence Pelton, LaGrange  
B.E.E., M.S.  
*Field of Specialization:* Electrical Engineering  
*Adviser:* Dr. Leon Peters, Jr.
- Gerald Melville Penn, Toledo  
B.S. (University of Toledo); M.D., M.S.  
*Field of Specialization:* Physiological Chemistry  
*Adviser:* Dr. Fred A. Kruger
- Elizabeth R. Pettit, Columbus  
B.S.Ed., M.A.  
*Field of Specialization:* Education  
*Adviser:* Dr. Donald R. Bateman
- James Mitchell Photis, Ridgefield, Conn.  
B.A. (University of Connecticut)  
*Field of Specialization:* Chemistry  
*Adviser:* Dr. Leo A. Paquette
- David Martin Presnall, Columbus  
B.A. (Saint Mary's College of California); M.A.  
*Field of Specialization:* Psychology  
*Adviser:* Dr. Henry Leland



David Graves Price, Fort Monmouth, N. J.  
B.S. (Virginia Polytechnic Institute); M.S.  
*Field of Specialization:* Astronomy  
*Adviser:* Dr. George W. Collins, II

Abdul Azeez Quraishi, Greenville, Ill.  
B.S. (Washington State University); M.S. (Texas  
Agricultural and Mechanical University)  
*Field of Specialization:* Horticulture  
*Adviser:* Dr. Jean R. Geisman

Raj Shamdas Ramchandani, Dayton  
B.S. (University of Ranchi, India); M.S. (Pennsylvania  
State University)  
*Field of Specialization:* Electrical Engineering  
*Adviser:* Dr. Hsien C. Ko

Alan Kent Reichert, Columbus  
B.S. in Bus. Admin. (Miami University); M.S.  
*Field of Specialization:* Agricultural Economics and  
Rural Sociology  
*Adviser:* Dr. Warren F. Lee

William Robert Reinert, Islamorada, Fla.  
B.A. (Denison University)  
*Field of Specialization:* Biochemistry  
*Adviser:* Dr. George A. Marzluf

Cheri Florence Resler, Delaware  
B.A. (Muskingum College); M.A.  
*Field of Specialization:* Communication  
*Adviser:* Dr. Ruth B. Irwin

Rhonda Rae Ridinger, Chalk Hill, Pa.  
B.S. (Slippery Rock State College); M.Ed. (University  
of Arkansas)  
*Field of Specialization:* Physical Education  
*Adviser:* Dr. Edward L. Fox

Thomas Earl Rinderer, Dubuque, Ia.  
B.S. (Loras College); M.S.  
*Field of Specialization:* Entomology  
*Adviser:* Dr. Walter C. Rothenbuhler

Sara Ethredge Robertson, Columbus  
B.S.H.E., M.H.E. (University of Georgia)  
*Field of Specialization:* Home Economics  
*Adviser:* Dr. Claribel M. Taylor

Brian John Rumble, Earley, England  
Tech.Cert. (Culham College); M.S.Ed. (State University  
of New York College at Oswego)  
*Field of Specialization:* Education  
*Adviser:* Dr. Willis E. Ray

Supraanee Rungdanay, Bangkok, Thailand  
B.S. (Kasetsart University); M.S. (North Dakota  
University)  
*Field of Specialization:* Agricultural Economics and  
Rural Sociology  
*Adviser:* Dr. John W. Sharp

Jatinder Pal Sabhlok, Hissar, India  
B.Sc. (Punjab University); B.S., M.S.  
*Field of Specialization:* Horticulture  
*Adviser:* Dr. Wilbur A. Gould

Philip Loren Sannes, North Canton  
B.A., M.S.  
*Field of Specialization:* Anatomy  
*Adviser:* Dr. Thomas G. Hayes

Mary Ellen Bourne Sapp, West Palm Beach, Fla.  
B.Ed. (University of Miami); M.Ed. (Florida Atlantic  
University)  
*Field of Specialization:* Education  
*Adviser:* Dr. Marlin L. Languis

Marlinda R. Sardovia, Butuan City, Philippines  
B.S.Chem. (Silliman University)  
*Field of Specialization:* Physiological Chemistry  
*Adviser:* Dr. Richard H. Matthews

Barbara Leftwich Saunders, Wilberforce  
B.S.Ed. (Central State College); M.S. (Indiana State  
University)  
*Field of Specialization:* Education  
*Adviser:* Dr. Jack R. Frymier

Richard Paul Seiter, New Bloomington  
B.S.Bus.Adm., M.P.A.  
*Field of Specialization:* Public Administration  
*Adviser:* Dr. Harry E. Allen

Celia Ann Sgroi, Fulton, N. Y.  
B.A. (State University of New York College at Oswego);  
M.A.  
*Field of Specialization:* German  
*Adviser:* Dr. Hugo Bekker

Jerry Lee Shoup, Wooster  
B.S.Agr., M.S.  
*Field of Specialization:* Horticulture  
*Adviser:* Dr. Wilbur A. Gould

Gregory Monroe Shreve, Hilton Head Island, S. C.  
B.A., M.A.  
*Field of Specialization:* Anthropology  
*Adviser:* Dr. E. Ojo Arewa

Lawrence Mark Silverman, Franklin, Pa.  
B.A. (Washington and Jefferson College)  
*Field of Specialization:* Physiological Chemistry  
*Adviser:* Dr. Hanns-Dieter Gruemer

Richard Harold Sines, Columbus  
B.A. (Miami University); M.S., M.A.  
*Field of Specialization:* Economics  
*Adviser:* Dr. Inderjit Singh

Umed Singh, Haryana, India  
B.A., M.A. (Panjab University); M.S.  
*Field of Specialization:* Biostatistics  
*Adviser:* Dr. Jagdish S. Rustagi

Chrysostomus A. Sofianos, Paphos, Cyprus  
Diploma (University of Athens); M.A.  
*Field of Specialization:* Education  
*Adviser:* Dr. Donald P. Sanders

Yoon Soo Song, Seoul, Korea  
B.S. (Seoul National University); M.S.  
*Field of Specialization:* Chemical Engineering  
*Adviser:* Dr. Robert S. Brodkey

David Carl Speckhard, Chesterton, Ind.  
B.A. (DePauw University)  
*Field of Specialization:* Chemistry  
*Adviser:* Dr. Perry A. Frey

Kezia Bradford Vanmeter Sproat, Picketon  
A.B. (Vassar College); M.A.  
*Field of Specialization:* English  
*Adviser:* Dr. Edwin Robbins

C. William Steinmetz, Elmwood Park, N. J.  
B.A. (Don Bosco College); M.A.  
*Field of Specialization:* Physical Education  
*Adviser:* Dr. Edward L. Fox

Richard Lee Stovall, Springfield, Mo.  
B.A. (Southwest Missouri State College); M.A. (Long  
Island University)  
*Field of Specialization:* Communication  
*Adviser:* Dr. Goodwin Berquist

Leonard Chiuan-in Sung, Taichung, Taiwan  
B.S. (Taiwan Provincial Cheng Kung University); M.S.  
(Rice University)  
*Field of Specialization:* Engineering Mechanics  
*Adviser:* Dr. Karl K. Stevens

Philip Edward Taylor, Uniontown  
B.S.I.E., M.S. (North Carolina State University)  
*Field of Specialization:* Industrial and Systems  
Engineering  
*Adviser:* Dr. Walter C. Giffin

Merry Elizabeth Texter, Huntsburg  
B.S.Ed., M.A.  
*Field of Specialization:* Music  
*Adviser:* Dr. Henry L. Cady

Gabriel Thomas Ukott, Augusta, Ga.  
B.S. (Paine College); M.A.  
*Field of Specialization:* Education  
*Adviser:* Dr. Ross L. Mooney

Joseph James Valcho, Columbus  
B.S. (University of Pittsburgh)  
*Field of Specialization:* Chemistry  
*Adviser:* Dr. Paul G. Gassman

Arthur Boice Van Gundy, Jr., Columbus  
B.A. (Ohio Wesleyan University); M.S. (Miami  
University)  
*Field of Specialization:* Education  
*Adviser:* Dr. Lonnie H. Wagstaff

James Edward Van Horn, Columbus  
A.B. (College of Saint Charles Borromeo); M.A. (Catholic  
University of America)  
*Field of Specialization:* Home Economics  
*Adviser:* Dr. Claribel M. Taylor

Clara Smith Vaughn, Lancaster  
A.B. (Ohio University); M.A.  
*Field of Specialization:* Psychology  
*Adviser:* Dr. John E. Horrocks

Peter James Vicente, Philadelphia, Pa.  
B.A. (LaSalle College); M.A.  
*Field of Specialization:* Psychology  
*Adviser:* Dr. Theodore J. Kaul

Albert Edward Virgil, Columbus  
B.A. (Indiana University); M.A.  
*Field of Specialization:* Psychology  
*Adviser:* Dr. Henry Leland

\*Chin-San Wang, I Lan, Taiwan  
B.S. (Northeast Missouri State College); M.S. (University  
of Arkansas)  
*Field of Specialization:* Mathematics  
*Advisers:* Dr. John P. Huneke and Dr. Henry Glover

Janna Page Wehrle, Columbus  
B.S.  
*Field of Specialization:* Biochemistry  
*Adviser:* Dr. Gerald P. Brierley

Caroline Clement Whitacre, Morrow  
B.A.  
*Field of Specialization:* Medical Microbiology  
*Adviser:* Dr. Raymond W. Lang

John Thomas White, Euclid  
B.S. (Ohio University); M.S.  
*Field of Specialization:* Physics  
*Adviser:* Dr. Fred P. Dickey

David Warren Williams, Wilberforce  
B.S. (Albany State College); M.S. (Indiana State  
University)  
*Field of Specialization:* Education  
*Adviser:* Dr. Philip A. Tripp

Tommy Lee Williamson, Rutland  
B.S.E.E. (Ohio University); M.S.  
*Field of Specialization:* Electrical Engineering  
*Adviser:* Dr. Stuart A. Collins, Jr.

Peter Joseph Wotowiec, Cleveland  
B.S.Agr., M.S.  
*Field of Specialization:* Agricultural Education  
*Adviser:* Dr. J. Robert Warmbrod

Clifford Herbert Zirkel, Columbus  
B.A. (University of Texas); Bach. of Divinity (Perkins  
School of Theology); M.A.  
*Field of Specialization:* Psychology  
*Adviser:* Dr. Frank W. Fletcher

\* Also Master of Science, Graduate School

**Master of Accounting**

Six candidates

- Ernest Walter Dietz, Columbus  
B.A. (Muskingum College)  
*Field of Specialization*: Accounting
- Larry John Kasper, Columbus  
B.S.Bus.Adm.; M.B.A. (University of Michigan)  
*Field of Specialization*: Accounting
- Rodolfo Tan Maximo, Quezon, Philippines  
B.B.A. (University of the East, Philippines)  
*Field of Specialization*: Accounting
- Jerald M. Smith, Omaha, Neb.  
B.S. (University of Nebraska, Omaha); M.A.  
*Field of Specialization*: Accounting
- Ung Bieu Tam, Cholon, Vietnam  
B.S.Bus.Adm., M.B.A.  
*Field of Specialization*: Accounting
- Paul Andrew Williams, Canfield  
B.A. (Ohio Wesleyan University)  
*Field of Specialization*: Accounting
- Master of Architecture**
- Three candidates
- Subrata Basu, Calcutta, India  
B.Ahr. (Indian Institute of Technology)  
*Field of Specialization*: Architecture
- James Eugene Hiss, Sandusky  
B.S.Arch  
*Field of Specialization*: Architecture
- Ronald David Seiboth, Wayne, Pa.  
B.S. (University of Wisconsin)  
*Field of Specialization*: Architecture
- Master of Arts**
- Two hundred and ninety candidates
- Jon Christian Abeles, Fairborn  
B.S.Ed.  
*Field of Specialization*: Education

- Hollis Joan Adams, Falls Church, Va.  
B.S. (Virginia Polytechnic Institute)  
*Field of Specialization*: Education
- Michele Yermack Alexander, Columbus  
B.S. (George Mason University)  
*Field of Specialization*: Education
- Douglas R. Anderson, Zanesville  
B.S. (Bowling Green State University)  
*Field of Specialization*: Education
- David Leon Appel, Columbus  
B.A. (Capital University)  
*Field of Specialization*: Education
- Jacqueline Anitra Baker, Chicago, Ill.  
A.B. (Lincoln University)  
*Field of Specialization*: Education
- Paul A. Bartlo, Columbus  
B.A. (University of Notre Dame)  
*Field of Specialization*: Business Administration
- Rodney LeRoy Bassett, Kirkland, Wash.  
B.A. (Seattle Pacific College)  
*Field of Specialization*: Psychology
- Fredric Leon Bayless, Reynoldsburg  
B.A. (Central State College)  
*Field of Specialization*: Psychology
- R. Thomas Beaman, Groveport  
B.A.Jour.  
*Field of Specialization*: Journalism
- Pamela Jean Beatty, Natick, Mass.  
B.A. (University of New Hampshire)  
*Field of Specialization*: Education
- Keith Paul Becker, Marion  
B.Mus. (Heidelberg College)  
*Field of Specialization*: Music
- Sharon Elaine Bell, Columbus  
B.S.Nurs.  
*Field of Specialization*: Education
- Juan M. Benalcazar, Columbus  
B.S.Ed.  
*Field of Specialization*: Education
- John Cleveland Bennett, Atlanta, Ga.  
B.A. (Wake Forest University)  
*Field of Specialization*: Education
- Susan Belinda Berkowitz, Fairborn  
B.A. (Otterbein College)  
*Field of Specialization*: Public Administration
- Joan Brodshaug Bernstein, Dublin  
B.A. (Wellesley College)  
*Field of Specialization*: Dance

- Elise Freitag Betcher, Gahanna  
B.A. (Capital University)  
*Field of Specialization*: Romance Languages and Literatures
- Virginia Maxfield Bloom, Orlando, Fla.  
B.A. (University of South Florida)  
*Field of Specialization*: Education
- Cheryl Jean Bobo, Cleveland  
B.S. (Central State University)  
*Field of Specialization*: Education
- Carol Summers Body, Hilliard  
B.S.Ed.  
*Field of Specialization*: Education
- Ronald C. Boley, Columbus  
A.B. (Ohio University)  
*Field of Specialization*: Education
- Terrell Jean Book, Milwaukee, Wis.  
B.A. (University of Wisconsin)  
*Field of Specialization*: Communication
- Margaret Stanley Boone, Columbus  
B.A. (George Washington University); M.Ed. (University of Florida)  
*Field of Specialization*: Anthropology
- George William Bradley, III, Niagara Falls, N. Y.  
B.A. (Canisius College)  
*Field of Specialization*: History
- Sandra Goode Bricker, Westerville  
B.A. (Transylvania University)  
*Field of Specialization*: Education
- Barbara Susan Brown, Summersville, W. Va.  
B.A. (Marshall University)  
*Field of Specialization*: Health Education (Physical Education)
- Paul Bradley Brown, Columbus  
B.S.Ed.  
*Field of Specialization*: Public Administration
- William Bunkley, Columbus  
B.E. (Youngstown State University)  
*Field of Specialization*: Public Administration
- Annie Laurie Carlson, Columbus  
B.A. (Cedarville College)  
*Field of Specialization*: Education
- FloraLou Lett Carr, New Straitsville  
B.S.Ed.  
*Field of Specialization*: Education
- Karen Young Caw, Columbus  
B.S.Ed.  
*Field of Specialization*: Education

- Demetra Chochos, Marion, Ind.  
A.B. (Indiana University)  
*Field of Specialization: History of Art*
- Charles David Claiborn,  
Waynesville, Mo.  
A.B. (University of Missouri)  
*Field of Specialization: Psychology*
- Heather Lorber Claibourne, Columbus  
B.S.Ed.  
*Field of Specialization: Education*
- Shirley A. Clark, Broadview, Ill.  
B.A. (Elmhurst College)  
*Field of Specialization: Education*
- Deborah Jean Clifton, Toledo  
B.A.  
*Field of Specialization: Linguistics*
- Edward Lynn Clinker, Defiance  
B.A. (Huntington College)  
*Field of Specialization: Music*
- Barbara S. Coe, Columbus  
B.S. in Edu. (Miami University)  
*Field of Specialization: Education*
- Robert Alan Cohen, Akron  
B.A. (University of Akron)  
*Field of Specialization: Communication*
- Marianne Nelson Collins,  
New Orleans, La.  
B.A. (Louisiana State University)  
*Field of Specialization: Psychology*
- Joyce Kathryn Conley,  
Berkeley Springs, W. Va.  
A.B. (Bucknell University)  
*Field of Specialization: Music*
- Gary Cook, Mt. Vernon  
B.S.Ed.  
*Field of Specialization: Education*
- Myrna Faye Copeland, Miami, Fla.  
B.A. (Florida Atlantic University)  
*Field of Specialization: Psychology*
- Lucilo E. Corres, Milwaukee, Wis.  
B.A. (University of Wisconsin)  
*Field of Specialization: Romance Languages and Literatures*
- Dwight Lee Corum, Columbus  
B.A.  
*Field of Specialization: Public Administration*
- Kathleen Mikol Cox, Cleveland  
B.A.Jour.  
*Field of Specialization: Journalism*
- William F. Crandell, Sylvania  
B.A.  
*Field of Specialization: History*
- Robert G. Cromley, Columbus  
B.A.  
*Field of Specialization: Geography*
- Patricia Folkerth Cummins, Dayton  
B.A. (Wright State University)  
*Field of Specialization: English*
- Barbara Diane Cyphers, Westerville  
B.A. (Bethany College)  
*Field of Specialization: Education*
- Ronald A. Dailey, Muncie, Ind.  
B.S. (Ball State University)  
*Field of Specialization: Philosophy*
- Laura Daniele, Cleveland  
B.S.  
*Field of Specialization: Psychology*
- David James D'Aquila, Columbus  
B.S.Ed.  
*Field of Specialization: Journalism*
- Gail L. Davidson, Elyria  
B.A. (Bowling Green State University)  
*Field of Specialization: Sociology*
- Marie-Francoise Delame, Pau, France  
Maitrise (University De Pau)  
*Field of Specialization: Romance Languages and Literatures*
- Sister Carol Diemunsch, Cincinnati  
A.B. (Trinity College);  
M.T.S. (Catholic University of America)  
*Field of Specialization: Education*
- Betty Mattix Dietsch, Marion  
B.S.Ed.  
*Field of Specialization: Education*
- John Robert Doll, Portsmouth  
B.S.Ed.  
*Field of Specialization: Physical Education*
- Carla Peddicord Downes, Columbus  
B.S.Ed.  
*Field of Specialization: Education*
- Christopher S. Duckworth, Columbus  
B.A.  
*Field of Specialization: History*
- Donald Ellory Dungee, Columbus  
B.S.Ed.  
*Field of Specialization: Physical Education*
- Stanley Francis Duobinis,  
Baltimore, Md.  
B.S. (University of Maryland)  
*Field of Specialization: Economics*
- Bernadine Ann Dusseau, Columbus  
B.S.Ed.  
*Field of Specialization: Education*
- Charles Peter Eichelberger, Lancaster  
B.Mus. (Heidelberg College)  
*Field of Specialization: Music*
- Gregory L. Eiden, Amherst  
B.S. (University of Dayton)  
*Field of Specialization: Linguistics*
- Mark David Eisen,  
North Miami Beach, Fla.  
B.S.Bus.Adm.  
*Field of Specialization: Business Administration*
- Barbara Stout Elberfeld, Westerville  
B.S.Ed. (Otterbein College)  
*Field of Specialization: Education*
- Edward J. Elberfeld, Westerville  
B.A. (Otterbein College)  
*Field of Specialization: Education*
- Ricardo J. Elia, Brightwaters, N. Y.  
B.A. (Boston University)  
*Field of Specialization: Classics*
- Betty Ballard Ellwood, Columbus  
B.S.Ed.  
*Field of Specialization: Education*
- Abdussalam M. El-Zilnitni,  
Benghazi, Libya  
B.S.J. (Ohio University)  
*Field of Specialization: Journalism*
- Charles Gordon Ernst, Zanesville  
B.A. (Otterbein College)  
*Field of Specialization: Economics*
- Marilyn Elizabeth Espe, Clarion, Ia.  
B.A. (Saint Olaf College)  
*Field of Specialization: Psychology*
- Reginald D. Farrell, Westerville  
B.S.Ed. (Otterbein College)  
*Field of Specialization: Education*
- David Elliott Fass, Reynoldsburg  
B.A. (Harpur College);  
M.A. (Hebrew Union College)  
*Field of Specialization: Sociology*
- Susan Ellen Feldman,  
New York, N. Y.  
B.A. (State University of New York at Buffalo)  
*Field of Specialization: Psychology*
- Eleanor Poteet Feltz, Columbus  
B.S.Ed.  
*Field of Specialization: Education*

Matthew V. Filipic, Parma  
A.B. (John Carroll University)  
*Field of Specialization:* Political  
Science

Matia Finn, Columbus  
B.S.Ed.  
*Field of Specialization:* Education

Angelia Siu-Yau Leung Fisher,  
Riverside, Calif.  
B.A. (University of California,  
Riverside)  
*Field of Specialization:* Dance

William Arthur French, Columbus  
B.A.  
*Field of Specialization:* Linguistics

Nancy Elizabeth Fried, Columbus  
B.S.Ed.  
*Field of Specialization:* Education

Barry A. Friedman, Brooklyn, N. Y.  
B.A. (University of Rochester)  
*Field of Specialization:* Psychology

\*Susan C. Geiger, Fairview Park  
*Field of Specialization:*  
Communication

Jane Mann Gellman, Oberlin  
B.S. (University of Wisconsin)  
*Field of Specialization:* Physical  
Education

Yvonne M. Gillette, Toledo  
B.Educ. (University of Toledo)  
*Field of Specialization:*  
Communication

Jacqueline Henderson Glenn,  
Columbus  
B.S.Ed. (Central State College)  
*Field of Specialization:* Education

Lena Sue Gochnaur, Apple Creek  
B.S.Ed. (Ashland College)  
*Field of Specialization:* Education

Dee L. Goodman, Lima  
B.A. (University of Bridgeport)  
*Field of Specialization:* History of Art

Fritz Albert Goss, Columbus  
B.S.Ed.  
*Field of Specialization:* Physical  
Education

Betsy Goode Greer,  
Lewisburg, W. Va.  
B.A. (Marshall University)  
*Field of Specialization:* Physical  
Education

Robert George Grip,  
New Britain, Conn.  
A.B. (Boston College)  
*Field of Specialization:* Journalism

Louise A. Grossner, Shaker Heights  
B.S.Ed.  
*Field of Specialization:* Education

Gay Belcher Hadley, Columbus  
A.B. (Western College)  
*Field of Specialization:*  
Interdisciplinary—Education:  
Curriculum and Foundations,  
Educational Special Services,  
Educational Development

Edna Jean Harper, Columbus  
B.S.Ed.  
*Field of Specialization:* Education

Susan W. Harris, Columbus  
B.S.Ed. (Central State College)  
*Field of Specialization:* Education

Linda Helm Harrison, Columbus  
B.S.Ed.  
*Field of Specialization:* Education

Dean Allen Hawley, Zanesville  
B.S.Ed. (Bowling Green State  
University)  
*Field of Specialization:* Education

Patricia Lynn Hefner, Bay Village  
B.A.  
*Field of Specialization:* English

Sharon Ward Henry, Columbus  
B.S.Ed.  
*Field of Specialization:* Education

Barry Alan Herb, Columbus  
B.S.Ed.  
*Field of Specialization:* Education

Elizabeth Dixon Herb, New Albany  
B.S. (Ohio Dominican College)  
*Field of Specialization:* Education

Jeff Faulkner Hilson, III, Columbus  
B.S.Ed.; B.A. (Capital University)  
*Field of Specialization:* Education

Curtis Edward Hilton, Columbus  
B.S. (Morehead State University)  
*Field of Specialization:* Education

Carla Marie Hirschfeld, Bay Village  
B.A. (College of Wooster)  
*Field of Specialization:* Education

Arnett Holloway, Worthington  
B.S. (Boston University)  
*Field of Specialization:* Journalism

Carol Esther Holmes,  
Long Beach, Calif.  
B.A. (University of California)  
*Field of Specialization:* Education

Diane Day Holskey, Cambridge  
B.A. (Glassboro State College)  
*Field of Specialization:* Education

Margaret Dautremont Honton,  
Columbus  
B.S.Ed.  
*Field of Specialization:* English

James T. Hoskison, Livonia, Mich.  
B.A. (Southern California College)  
*Field of Specialization:* Linguistics

Marilyn Sue Hough, Grove City  
B.S.Ed.  
*Field of Specialization:* Education

Louise Sonderman Hunt, Marion  
B.S.Ed.  
*Field of Specialization:* Education

Laura West Hunter, Columbus  
B.S.Ed.  
*Field of Specialization:* Education

Forest Ray Hupp, Jr., Columbus  
B.S.Bus.Adm.  
*Field of Specialization:* Physical  
Education

Bruce Edward Hust,  
Manchester, Conn.  
B.A. (University of Connecticut)  
*Field of Specialization:* Psychology

Andrew S. Imada,  
Kahului Maui, Hawaii  
B.A. (University of San Francisco)  
*Field of Specialization:* Psychology

Arlette Ingram, Warren  
B.S. (Kent State University)  
*Field of Specialization:* Education

Booker T. Ingram, Jr., Warren  
A.B. (Winston-Salem State  
University)  
*Field of Specialization:* Political  
Science

David Taylor Ives, Pierpoint  
B.S.Soc.Wel.  
*Field of Specialization:* Education

James Kenneth Jackson,  
West Jefferson  
B.S.Ed. (Ball State University)  
*Field of Specialization:* Education

Mary Ann Jacobsen, Bolivar, N. Y.  
B.A. (Franklin and Marshall College)  
*Field of Specialization:* Classics

Navita Cummings James, Columbus  
B.A.  
*Field of Specialization:*  
Communication

Nancy S. Jelonek, Columbus  
A.B. (State University of New York  
College at Fredonia)  
*Field of Specialization:* Education

\* Also Bachelor of Arts. Colleges of the  
Arts and Sciences

- Rosemary O. Joyce, Columbus  
B.S.Ed.  
*Field of Specialization:*  
Interdisciplinary—Anthropology,  
English, History, Music
- William F. Kaemmerer, III, Columbus  
B.A. (Miami University)  
*Field of Specialization:* Psychology
- Robert Neal Kantor,  
University City, Mo.  
A.B. (University of Missouri)  
*Field of Specialization:* Linguistics
- Barbara L. Karol, Forest Hills, N. Y.  
B.A. (Queens College)  
*Field of Specialization:* Psychology
- Walter Dale Karr, Coshocton  
B.S.  
*Field of Specialization:* Education
- Deborah Joy Keller, Minford  
B.S.Ed. (Ohio University)  
*Field of Specialization:* Education
- Sharon Leora Kelley, Newark  
B.A. (Muskingum College)  
*Field of Specialization:* Romance  
Languages and Literatures
- Jane Geeting Kenney, Pittsburgh, Pa.  
B.A. (Pennsylvania State University)  
*Field of Specialization:* Psychology
- Barbara Alane Kerr, St. Louis, Mo.  
A.B. (University of Missouri)  
*Field of Specialization:* Psychology
- Larry Dale Kershner, Westerville  
B.S.Ed.  
*Field of Specialization:* Education
- Randall Howard King, Fairborn  
B.S.Bus.Adm.  
*Field of Specialization:* Economics
- Charles William Kirsch,  
West Mansfield  
B.A. (Marietta College)  
*Field of Specialization:* Education
- Marcia Kay Krill, Edgerton  
B.S.Ed.  
*Field of Specialization:* Education
- C. Michael Kull, Worthington  
B.S.Ed. (Ohio University)  
*Field of Specialization:* Education
- Douglas Richard Kutner, Columbus  
B.A.  
*Field of Specialization:* Psychology
- Galen M. Lahman, Hamilton  
B.S.Bus.Adm. (Bowling Green State  
University)  
*Field of Specialization:* Education
- Rae Lawson Lambert, Columbus  
B.S. (Southern Connecticut State  
College)  
*Field of Specialization:* Education
- Dominique Lamoureux,  
Rennes, France  
Licence (Université de Haute  
Bretagne)  
*Field of Specialization:* Romance  
Languages and Literatures
- Gwendolyn L. Lane, Columbus  
B.S.Ed.  
*Field of Specialization:* Education
- Donald V. Larrick, Titusville, Fla.  
B.A. (Florida Technological  
University)  
*Field of Specialization:* Sociology
- Helen Ceola Lauderdale, Columbus  
A.B. (Jackson College);  
M.A. (University of Denver)  
*Field of Specialization:* Education
- Anthony Lavoy Ledford, III,  
Lewisburg, Tenn.  
B.A. (University of Tennessee)  
*Field of Specialization:* Political  
Science
- Solomon A. Levin, Bronx, N. Y.  
B.A. (State University of New York  
at Stony Brook)  
*Field of Specialization:* Psychology
- Julie Kay Levine, Forest Hills, N. Y.  
A.B. (Ohio University)  
*Field of Specialization:* Education
- Marian Fung Ying Ling,  
Honolulu, Hawaii  
Ed.B. (University of Hawaii)  
*Field of Specialization:* East Asian  
Languages and Literatures
- Yvonne Yungfu Liu, Columbus  
B.A. in Ed. (George Washington  
University)  
*Field of Specialization:* Education
- Cecil Ray Livingston, Vandalia  
B.S.  
*Field of Specialization:* Physical  
Education
- Thomas Gabriel Lopresti, Columbus  
B.A. (Ohio Dominican College)  
*Field of Specialization:* Public  
Administration
- Debra Zee Magalnick, Roslyn, N. Y.  
B.Art Ed.  
*Field of Specialization:* Art Education
- Melissa Jo Mainwold, Toledo  
B.S.Ed.  
*Field of Specialization:* Education
- Catherine C. Malowney, Columbus  
B.A.  
*Field of Specialization:* Journalism
- Deborah Marie Manchester, Niles  
B.A.  
*Field of Specialization:*  
Communication
- Vija Markovs, Westerville  
B.A. (North Carolina State  
University)  
*Field of Specialization:* Public  
Administration
- Mary A. Marks, Huntington, Ind.  
A.B. (Duke University)  
*Field of Specialization:* Education
- Bonney George Markworth, Columbus  
B.A.  
*Field of Specialization:* Education
- Victor Drew Martensen, Columbus  
B.S.Ed.  
*Field of Specialization:* Education
- Richard E. Marti, Columbus  
B.A., M.A.  
*Field of Specialization:* Romance  
Languages and Literatures
- Mary Rebecca McClelland, Laurelville  
A.B. (Ohio University)  
*Field of Specialization:* Education
- Jennie G. McClendon, Columbus  
B.S.Ed. (Ohio University)  
*Field of Specialization:* Education
- Mary A. McElroy, Bayside, N. Y.  
B.A. (Queens College)  
*Field of Specialization:* Physical  
Education
- James Robert McGreevy,  
New Lexington  
B.S.Ed.  
*Field of Specialization:* Education
- Barbara Joan McNaughton, Newark  
B.S.Ed. (Ohio University)  
*Field of Specialization:* Education
- Linda Lee Meginnis, West Jefferson  
B.S.Ed.  
*Field of Specialization:* Education

Carol S. Milam, Wintersville  
B.S.Soc.Wel.  
*Field of Specialization*: Public Administration

Beryl Adele Miller, Jamaica, N. Y.  
A.B. (Earlham College)  
*Field of Specialization*: Dance

Nora Delaney Miller, Columbus  
B.A. (University of California)  
*Field of Specialization*: Education

Elizabeth Virginia Mitchell,  
Gatlinburg, Tenn.  
A.B. (Wheaton College)  
*Field of Specialization*: Psychology

Cynthia Diane Glover Monk,  
Hyattsville, Md.  
B.A. (Washington College)  
*Field of Specialization*: Education

Sylvia Fubini Moore, Vienna, Va.  
A.B. (Smith College);  
M.P.H. (University of Michigan)  
*Field of Specialization*: Economics

\* Anne Kirste Morrow, Galena  
*Field of Specialization*: Sociology

Lesley Jubinsky Morrow, Chillicothe  
B.A. (Marietta College)  
*Field of Specialization*: Education

Diane Jennings Murphy, Columbus  
B.S.Ed. (Ball State University)  
*Field of Specialization*: Education

Barbara A. Myers, Trenton, N. J.  
B.A. (University of Delaware)  
*Field of Specialization*: Education

Alva Don Nafzger, Columbus  
B.S.Bus.Adm., B.S.Ed.  
*Field of Specialization*: Education

Sally Schoen Naylor, Columbus  
B.S.Ed.  
*Field of Specialization*: Education

Christina P. Neely, Columbus  
B.A. (Saint Lawrence University);  
M.A. (Ohio University)  
*Field of Specialization*: Education

Robert Neumuller, Jr., Marietta  
B.S.Ch.E. (University of Maryland)  
*Field of Specialization*: Economics

Susan Waldron Newkirk-Sanborn,  
Columbus  
A.B. (Radcliffe College)  
*Field of Specialization*: Psychology

Patricia Sue Newman, Canton  
B.A.  
*Field of Specialization*:  
Communication

Stephen Jay Oldham, Columbus  
B.S.Ed. (Ashland College)  
*Field of Specialization*: Education

Maria de Nazaré Amorim de Oliveira,  
Rio de Janeiro, Brazil  
Bacharel en Geografia (Universidade  
Federal de Rio de Janeiro)  
*Field of Specialization*: Geography

Maria Elisa Oria, Brookville  
B.A. (University of Dayton)  
*Field of Specialization*: Public Administration

Marjorie P. Orr, Columbus  
B.S. Ed. (Muskingum College)  
*Field of Specialization*: Education

Shirley Reynolds Orth, Columbus  
B.S.Ed.  
*Field of Specialization*: Education

Thomas L. Osborne, Sandusky  
B.S.Ed. (Ohio University)  
*Field of Specialization*: Education

Keith Edward Osterhage, Ottawa  
B.S. Ed. (Ohio Northern University)  
*Field of Specialization*: Political Science

Daniel William Pailay, Columbus  
A.B. (College of Saint Charles  
Borromeo)  
*Field of Specialization*: Education

Daniel M. Patterson, Xenia  
B.A. (Wilmington College)  
*Field of Specialization*: Education

Deborah F. Peters, Columbus  
A.B. (Oberlin College)  
*Field of Specialization*: English

Jeffrey Lyn Petrey, Newark  
B.A. (Miami University)  
*Field of Specialization*: Education

Richard Edward Petty, Tabb, Va.  
B. A. (University of Virginia)  
*Field of Specialization*: Psychology

Terry Wayne Phillips, Portsmouth  
B.F.A. (Ohio University)  
*Field of Specialization*: Art

Dennis Robert Pickens, Columbus  
B.A. (Capital University)  
*Field of Specialization*:  
Interdisciplinary—Communication,  
Photography and Cinema, Theatre

Micheal Pinkney, Houston, Tex.  
B.S. (Hampton Institute)  
*Field of Specialization*: Education

Robert Joseph Pond, Newark  
B.S.Ed.  
*Field of Specialization*: Education

Thomas Phillip Pottenburgh,  
Columbus  
B.A. (Otterbein College)  
*Field of Specialization*: Education

Joyce Kenczewicz Prokop, Columbus  
B.Ed. (University of Toledo)  
*Field of Specialization*: Education

Elizabeth Ann Pugh, Elmont, N. Y.  
B.A. (University of Massachusetts)  
*Field of Specialization*: Public Administration

Merilee Sue Purvis, Worthington  
B.S.Ed.  
*Field of Specialization*: Romance  
Languages and Literatures

William A. Quinn, Paramus, N. J.  
B.A. (Xavier University)  
*Field of Specialization*: English

David E. Randall, Mansfield  
B.S.Ed.  
*Field of Specialization*: Psychology

Richard V. Rattan,  
Williamsburg, Va.  
B.A. (Saint Bonaventure University)  
*Field of Specialization*: Romance  
Languages and Literatures

Steven Jay Reif, Cincinnati  
B.A. (Beloit College)  
*Field of Specialization*: Anthropology

Rachel Young Reinhard, Columbus  
B.S.Ed.  
*Field of Specialization*: Education

Edward Lee Reynolds, Jr.,  
Paris, Tenn.  
B.A. (University of Tennessee)  
*Field of Specialization*: Education

Ronald Taylor Richard, Grove City  
B.A.  
*Field of Specialization*:  
Communication

Ann Lucile Rodiger, Eugene, Ore.  
B.S. (University of Oregon)  
*Field of Specialization*: Dance

Patricia Carol Holley Rohrer,  
Columbus  
B.S.Ed.  
*Field of Specialization*: Public  
Administration

Deborah Ward Roney,  
Cherry Hill, N. J.  
B.A. (Dartmouth College)  
*Field of Specialization*: Slavic  
Languages and Literatures

\* Also Bachelor of Arts, Colleges of the  
Arts and Sciences

- James N. Roney, Cherry Hill, N. J.  
B.A. (Dartmouth College)  
*Field of Specialization:* Slavic Languages and Literatures
- Jose Ruiz, Mentor  
*Field of Specialization:* Romance Languages and Literatures
- Kathryn Ruiz, Mentor  
B.A. (Florida Southern College)  
*Field of Specialization:* Romance Languages and Literatures
- Calvin Frederick Ruskaup, St. Louis, Mo.  
B.S. (University of Missouri)  
*Field of Specialization:* History
- \*Patrick Joseph Russell, Columbus  
*Field of Specialization:* Education
- Patricia A. Rutherford, Columbus  
B.S.Ed.  
*Field of Specialization:* Education
- Loretta Lewis Saah, Worthington  
B.S.Ed. (Central State University)  
*Field of Specialization:* Education
- Thomas F. Scanlon, Pittsburgh, Pa.  
B.A. (Duquesne University)  
*Field of Specialization:* Classics
- Lynn Allison Scarberry, Columbus  
B.S.Ed.  
*Field of Specialization:* Education
- James Woodruff Scarfpin, Westerville  
B.A. (Ohio Wesleyan University)  
*Field of Specialization:* Physical Education
- Esther Goldberg Scheps, Columbus  
B.A. (City College)  
*Field of Specialization:* English
- Sheila Jolaine Scholl, Columbus  
B.A. (Miami University)  
*Field of Specialization:* Romance Languages and Literatures
- Jonathan Carl Schonsheck, Kettering  
B.A. (Valparaiso University);  
M.A. (University of Dayton)  
*Field of Specialization:* Philosophy
- Marie Menza Schrader, Cuyahoga Falls  
B.A. (University of Akron)  
*Field of Specialization:* Education
- Dena Joyce Schwartz, Bronx, N. Y.  
B.S. (State University of New York College at Brockport)  
*Field of Specialization:* Dance
- Peter Martin Schwarz, New York, N. Y.  
B.S. (City College)  
*Field of Specialization:* Economics
- Tracey K. Scott, Worthington  
B.S.Ed. (Miami University)  
*Field of Specialization:* Education
- Philip McEarl Scriven, Sumter, S. C.  
B.A. (Virginia Union University)  
*Field of Specialization:* Education
- Enid Laura Shapiro, Columbus  
B.S.Ed.  
*Field of Specialization:* Education
- Edith A. C. Sharp, Columbus  
B.A. (University of South Africa)  
*Field of Specialization:* Black Studies
- Michael S. Shylanski, Ferguson, Mo.  
B.A. (Saint Louis University)  
*Field of Specialization:* Slavic Languages and Literatures
- Margaret Johnette Simms, Jamestown, N. Y.  
B.S. (Livingstone College)  
*Field of Specialization:* Political Science
- James William Slack, Jr., Zanesville  
B.A. (Otterbein College); B.S.Ed.  
*Field of Specialization:* Education
- Janice Ann Smith, Baltimore, Md.  
B.A. (University of Maryland)  
*Field of Specialization:* Classics
- Kenneth Lee Smith, Columbus  
B.S.Ed.  
*Field of Specialization:* Classics
- Marilyn W. Smith, Columbus  
B.S. (University of Maryland)  
*Field of Specialization:* Education
- Joyce Gentry Smoot, Blacksburg, Va.  
B.A., M.A. (Virginia Polytechnic Institute)  
*Field of Specialization:* Education
- Marianne Wallace Snodgrass, Columbus  
B.S.  
*Field of Specialization:* Education
- Jeffrey John Spalding, Guelph, Ont., Canada  
B.A. (University of Guelph)  
*Field of Specialization:* Art Education
- Sondra Sparks, Lorain  
B.S.Ed.  
*Field of Specialization:* Education
- Barry Joseph Spector, Paterson, N. J.  
B.S.Ed.  
*Field of Specialization:* Education
- Thomas Spray, Zanesville  
B.S.Ed. (Ohio University)  
*Field of Specialization:* Education
- Emma Lee Spring, Seven Hills  
B.S.Ed. (Ashland College)  
*Field of Specialization:* Education
- Linda Stroup Stanforth, Columbus  
B.S. (University of Maine)  
*Field of Specialization:* Art Education
- Leslie Earl Stansbery, Columbus  
B.A. (University of Denver);  
B.D. (Union Theological Seminary)  
*Field of Specialization:* Political Science
- Steven Eugene Steinhauser, Williamsport  
B.S.Ed. (Otterbein College)  
*Field of Specialization:* Education
- Charles Gordon Still, Jr., Butler, Pa.  
B.A. (Saint Fidelis College)  
*Field of Specialization:* Romance Languages and Literatures
- Martha Jane Stimac, Columbus  
B.S.Ed. (Ohio University)  
*Field of Specialization:* Journalism
- Ann Long Stine, Cincinnati  
B.A. (University of Cincinnati)  
*Field of Specialization:* Public Administration
- Jan Shelva Stone, Columbus  
B.S.Ed.  
*Field of Specialization:* Education
- Elaine Natalie Story, Columbus  
B.A. (Wittenberg University)  
*Field of Specialization:* East Asian Languages and Literatures
- David A. Strada, Fredonia, N. Y.  
A.B. (State University of New York College at Fredonia)  
*Field of Specialization:* Education
- Karen E. Swisher, Millersport  
B.A.  
*Field of Specialization:* Education
- Patricia Ann Taglione, Columbus  
B.A. (Ohio Dominican College)  
*Field of Specialization:* Education
- Leotha Tate, Columbus  
B.S.Ed. (Ohio University)  
*Field of Specialization:* Education
- Gregory Paul Taylor, Columbus  
B.S.Ed.  
*Field of Specialization:* Education
- B. Wendell Terrill, Middletown  
B.S.Ed. (Miami University)  
*Field of Specialization:* Education

\* Also Bachelor of Arts, Colleges of the Arts and Sciences



Lorna K. Thompson, Avon Lake  
B.A. (Thiel College)  
*Field of Specialization*: Classics

Richard James Tilton, Columbus  
B.S.Ed.  
*Field of Specialization*: Education

Patricia Joan Toberen, Columbus  
B.S.Ed.  
*Field of Specialization*: Education

Ann Todd, Shaker Heights  
B.S.Ed.  
*Field of Specialization*: Political  
Science

Marian Elizabeth Turner,  
Chapel Hill, N. C.  
A.B. (Heidelberg College);  
M.A. (Case Western Reserve  
University)  
*Field of Specialization*: Dance

Norman Jay Ullom-Morse, Columbus  
B.A.  
*Field of Specialization*: Public  
Administration

Kurt Vincent Varga, Columbus  
B.S.Ed.  
*Field of Specialization*: Education

Jackie A. Vice, Shiremanstown, Pa.  
B.A. (La Salle College)  
*Field of Specialization*: Psychology

Melinda L. Vogel, Columbus  
B.S.Ed.  
*Field of Specialization*: Education

Linda von Haam, Columbus  
B.A. (Denison University)  
*Field of Specialization*: Business  
Administration

Ronald E. Voogt, Grand Rapids, Mich.  
B.A. (Calvin College)  
*Field of Specialization*: Music

Irene J. Wachtel, Selestat, France  
B.A. (Mills College)  
*Field of Specialization*: Dance

Katherine Hope Waldo,  
Palos Verdes, Calif.  
A.B. (Occidental College)  
*Field of Specialization*: Education

Claudia S. Ward, Columbus  
B.S. (Bluefield State College)  
*Field of Specialization*: Education

Lana Susan Ward, Pickerington  
B.S.Ed. (Bowling Green State  
University)  
*Field of Specialization*: Education

Michael Thomas Wasilenko, Columbus  
B.S. (State University of New York  
College at Brockport)  
*Field of Specialization*: Geography

Robert Bruce Whytal, Columbus  
B.S.Ed.  
*Field of Specialization*: Education

Melissa Kay Widner, Pataskala  
A.B. (Wilmington College)  
*Field of Specialization*: Journalism

Jean Parks Wilcox, Worthington  
B.S.Ed. (Ohio Northern University)  
*Field of Specialization*: Education

Robert Harrod Willard, Chagrin Falls  
B.S.Ed.  
*Field of Specialization*: Education

Kristina Lilja Williams, Columbus  
B.S.H.S.S. (Ohio University)  
*Field of Specialization*: Education

Margene M. Williams,  
Feasterville, Pa.  
B.A. (Gettysburg College)  
*Field of Specialization*: Education

Udo Moses Williams, Calabar, Nigeria  
B.A. (Paine College)  
*Field of Specialization*: Political  
Science

Richard T. Willing, Jr.,  
West Nyack, N. Y.  
B.A. (Yale University)  
*Field of Specialization*: Journalism

Paul A. Winter, Columbus  
B.A. (Michigan State University)  
*Field of Specialization*: Romance  
Languages and Literatures

Alice Jane Wolfe, Worthington  
B.S.Ed.  
*Field of Specialization*: Education

Judith Gayle Wolfe, Columbus  
B.A.  
*Field of Specialization*: Psychology

Jane M. Worrall, Delaware  
A.B. (Heidelberg College)  
*Field of Specialization*: Education

Jane Hung Yang, Middletown  
B.S. (Kitasato University)  
*Field of Specialization*: East Asian  
Languages and Literatures

Carolyn J. Yingling,  
Newark Valley, N. Y.  
A.B. (University of Alabama)  
*Field of Specialization*: Political  
Science

## Master of Business Administration

Forty-two candidates

William Hedges Ballard, Columbus  
B.A.  
*Field of Specialization*: Business  
Administration

James A. Bates, Columbus  
B.S.Bus.Adm.  
*Field of Specialization*: Business  
Administration

Steven Randall Beard, Columbus  
B.S.Bus.Adm.  
*Field of Specialization*: Business  
Administration

Larry J. Bellman, Leipsic  
B.S.Bus.Adm.  
*Field of Specialization*: Business  
Administration

Ernest John Bergkessel,  
Broadview Heights  
B.S. (University of Notre Dame)  
*Field of Specialization*: Business  
Administration

Robert Lawrence Brown, Willoughby  
B.A. (College of Wooster)  
*Field of Specialization*: Business  
Administration

Gerald Lee Corbin, Mt. Gilead  
B.S. (Deñance College)  
*Field of Specialization*: Business  
Administration

Darlene Albertha Cornish,  
Cheriton, Va.  
B.S. (University of Maryland)  
*Field of Specialization*: Business  
Administration

Ted H. Downie, Columbus  
B.A.  
*Field of Specialization*: Business  
Administration

Harry Elliott Downs, Jr.,  
Newark, Del.  
B.S. (Memphis State University);  
M.S.  
*Field of Specialization*: Business  
Administration

John Waldo Emerson,  
Roslyn Heights, N. Y.  
B.A. (Denison University)  
*Field of Specialization*: Business  
Administration

John Steven Evans, Columbus  
B.S.Bus.Adm.  
*Field of Specialization*: Business  
Administration

Don Alfred Falasca, Steubenville  
B.S. (College of Steubenville)  
*Field of Specialization*: Business  
Administration

Edward F. Fern, Columbus  
B.S.Ed.  
*Field of Specialization*: Business  
Administration

Philip William Glasgo, Loudonville  
B.S. (Ohio University)  
*Field of Specialization*: Business  
Administration

Donald J. Groom, Barberton  
B.S.I.M. (University of Akron)  
*Field of Specialization*: Business  
Administration

Raymond Allan Hartman,  
Sidney, Mont.  
B.S. (Montana State University)  
*Field of Specialization*: Business  
Administration

Barbara Ann Hayes, Elyria  
B.A. (DePauw University)  
*Field of Specialization*: Business  
Administration

William S. Kennedy, Chenoa, Ill.  
B.S. (United States Air Force  
Academy)  
*Field of Specialization*: Business  
Administration

Paul J. Kessen, Bryan  
B.A.  
*Field of Specialization*: Business  
Administration

Jeffrey Neath Krabill, Wadsworth  
B.A. (College of Wooster); M.S.  
*Field of Specialization*: Business  
Administration

Timothy Scott Logan, Perrysburg  
B.A.  
*Field of Specialization*: Business  
Administration

Kenneth R. Martell, Chagrin Falls  
B.S.Bus.Adm. (Kent State  
University)  
*Field of Specialization*: Business  
Administration

Kenneth Carey McKinley, Columbus  
B.S.Ed.  
*Field of Specialization*: Business  
Administration

John Thomas Monk, Norman Okla.  
B.A. (University of Oklahoma)  
*Field of Specialization*: Business  
Administration

Rodney L. Myers, Leipsic  
B.A. (Kent State University)  
*Field of Specialization*: Business  
Administration

Janet Ellen Nordstrom, Columbus  
B.A. (College of Wooster)  
*Field of Specialization*: Business  
Administration

Michael C. Orazen, Mentor  
B.I.E.  
*Field of Specialization*: Business  
Administration

Patricia Ann Paulin, Euclid  
B.S.Bus.Adm.  
*Field of Specialization*: Business  
Administration

Ronald James Rostas, Garfield Heights  
B.S.  
*Field of Specialization*: Business  
Administration

William E. Sams, Columbus  
B.S.E.E. (Ohio University)  
*Field of Specialization*: Business  
Administration

Eric B. Shannon, Columbus  
B.S.C.E.  
*Field of Specialization*: Business  
Administration

Mitchell Bennett Shapiro, Cincinnati  
B.A. (University of Cincinnati)  
*Field of Specialization*: Business  
Administration

Robert Thomas Simmons, Columbus  
B.S. (United States Naval Academy)  
*Field of Specialization*: Business  
Administration

Robert Owen Slonaker, Baltimore  
B.Met.E., M.S.  
*Field of Specialization*: Business  
Administration

Richard Harter Snyder, Columbus  
B.S.Bus.Adm.  
*Field of Specialization*: Business  
Administration

Douglas Frederick Stitt,  
Moreland Hills  
B.A. (College of Wooster)  
*Field of Specialization*: Business  
Administration

Scott Allen Sutton, Arcanum  
B.A.  
*Field of Specialization*: Business  
Administration

Richard Robert Teugh, Granville  
B.S. (Western Michigan University)  
*Field of Specialization*: Business  
Administration

John Charles Thomas, Columbus  
B.S.Bus.Adm.  
*Field of Specialization*: Business  
Administration

Brett A. Thompson, St. Louis, Mo.  
B.S. (University of Missouri)  
*Field of Specialization*: Business  
Administration

Robert Michael Wolff, Lorain  
B.S.B.A. (University of Akron)  
*Field of Specialization*: Business  
Administration

#### **Master of City and Regional Planning**

Thirty-five candidates

Patricia Kathryn Ballard,  
Worthington  
B.A. (University of Denver)  
*Field of Specialization*: City and  
Regional Planning

Gary M. Belenke, Glenwood, Ill.  
B.A. (Northern Illinois University)  
*Field of Specialization*: City and  
Regional Planning

Michael Bowling, Hyden, Ky.  
B.A. (University of Kentucky)  
*Field of Specialization*: City and  
Regional Planning

\*Carl A. Brauner, Jr., Tacoma, Wash.  
A.B. (College of Saint Charles  
Borromeo); B.A. (University of  
Puget Sound)  
*Field of Specialization*: City and  
Regional Planning

Ronald David Dixon,  
Kansas City, Kan.  
B.Arch. (University of Kansas)  
*Field of Specialization*: City and  
Regional Planning

Lawrence H. Fallis, Montebello, Calif.  
B.A. (Loyola University)  
*Field of Specialization*: City and  
Regional Planning

Rocco Anthony Ferraro,  
Bellevue, N. J.  
A.B. (Rutgers University)  
*Field of Specialization*: City and  
Regional Planning

William A. Folmar, Columbus  
B.S. (University of Florida); M.B.A.  
*Field of Specialization*: City and  
Regional Planning

David Michael Gehr, Columbus  
B.A.  
*Field of Specialization*: City and  
Regional Planning

\* Also Master of Social Work, Graduate School

Zaid Jamil Goussous, Amman, Jordan  
B.B.A. (Ohio University)  
*Field of Specialization:* City and  
Regional Planning

John Hailey, Simi, Calif.  
A.B. (University of California,  
Berkeley)  
*Field of Specialization:* City and  
Regional Planning

Sterling Howell Hale,  
Portsmouth, Va.  
B.A. (University of Richmond)  
*Field of Specialization:* City and  
Regional Planning

James L. Hartzler, Columbus  
B.S.Ed. (Bowling Green State  
University)  
*Field of Specialization:* City and  
Regional Planning

Ava Lynn Hottman, Kenton  
B.A. (Miami University)  
*Field of Specialization:* City and  
Regional Planning

Leon Humphries, Birmingham, Ala.  
B.A.Arch.Sci., B.Arch. (Tuskegee  
Institute)  
*Field of Specialization:* City and  
Regional Planning

Jeffrey Laylin Johnson, Powell  
B.S.Bus.Adm.  
*Field of Specialization:* City and  
Regional Planning

Stephen Howard Kanoff, Cincinnati  
B.B.A. (University of Cincinnati)  
*Field of Specialization:* City and  
Regional Planning

Larry L. Liggett, Canton  
B.S. (Case Western Reserve  
University)  
*Field of Specialization:* City and  
Regional Planning

Richard E. MacWood, Columbus  
B.A. (University of Notre Dame)  
*Field of Specialization:* City and  
Regional Planning

John C. Martin, Columbus  
B.S.Bus.Adm.  
*Field of Specialization:* City and  
Regional Planning

Paul D. McChancy, Irwin, Pa.  
B.A. (University of Pittsburgh)  
*Field of Specialization:* City and  
Regional Planning

Deidre Denise McClaron,  
Nashville, Tenn.  
B.A. (Hampton Institute)  
*Field of Specialization:* City and  
Regional Planning

John David Miller, Marietta  
B.S.Bus.Adm.  
*Field of Specialization:* City and  
Regional Planning

William Edward Murphy, Kent  
B.S.Edu. (Miami University)  
*Field of Specialization:* City and  
Regional Planning

Andrew Ovie Oddiri, Benin, Nigeria  
B.Sc. (University of Ibadan)  
*Field of Specialization:* City and  
Regional Planning

Russell B. Peplaw, Columbus  
B.A. (Baldwin-Wallace College)  
*Field of Specialization:* City and  
Regional Planning

Susan Procker Piatt, Columbus  
B.A.  
*Field of Specialization:* City and  
Regional Planning

Michele Darwyn Reeder,  
Philadelphia, Pa.  
B.A. (Cheyney State College)  
*Field of Specialization:* City and  
Regional Planning

John Henry Shipp, III, Columbus  
B.A.  
*Field of Specialization:* City and  
Regional Planning

Sue Lynn Smith, Kettering  
A.B. (Western College for Women)  
*Field of Specialization:* City and  
Regional Planning

Harvey William Spector,  
Brooklyn, N. Y.  
A.B. (Ohio University); M.A.  
*Field of Specialization:* City and  
Regional Planning

Ronald Matthew Traub, Lyndhurst  
A.B. (Earlham College)  
*Field of Specialization:* City and  
Regional Planning

Donald Lee Tussing, Columbus  
B.A.  
*Field of Specialization:* City and  
Regional Planning

Robert Steven Weiss, Columbus  
A.B. (Ohio University)  
*Field of Specialization:* City and  
Regional Planning

John Allen Woodford,  
Ogdensburg, N. J.  
A.B. (Duke University)  
*Field of Specialization:* City and  
Regional Planning

## Master of Fine Arts

Six candidates

Arthur W. Blom, Columbus  
B.F.A. (Boise College)  
*Field of Specialization:* Art

Egle Mary Gatins, Atlanta, Ga.  
B.V.A. (Georgia State College)  
*Field of Specialization:* Art

Brenda Depew Laurel,  
Indianapolis, Ind.  
B.A. (DePauw University)  
*Field of Specialization:* Theatre

Virginia Anne Purcell, Columbus  
B.F.A.  
*Field of Specialization:* Art

Thomas Edmund Wachunas, Alliance  
B.F.A.  
*Field of Specialization:* Art

Thomas A. Wyroba, Columbus  
B.Art Ed.  
*Field of Specialization:* Art

## Master of Music

Nine candidates

James Lawrence Bollero,  
Elkhart, Ind.  
B.S. (Indiana State University)  
*Field of Specialization:* Music

Robert Hauselman Day, Lyndhurst  
B.Mus.Ed. (Otterbein College)  
*Field of Specialization:* Music

Suellen Darcy Fagin, Orlando, Fla.  
B.A. (Rollins College)  
*Field of Specialization:* Music

Judith Jean Henry, Anna  
B.M. (Bowling Green State  
University)  
*Field of Specialization:* Music

Roger Trent Nohl, Columbus  
B.Mus.  
*Field of Specialization:* Music

Jeffrey T. Poland, Norfolk, Va.  
B.M.Ed. (Baldwin-Wallace College)  
*Field of Specialization:* Music

David Neil Stoffel, Edon  
B.Music (Heidelberg College)  
*Field of Specialization:* Music

Karen Nimereala VanGilse, Alliance  
B.Mus.  
*Field of Specialization* : Music

Michael Christian Weiher, Medway  
B.Mus.Ed.  
*Field of Specialization* : Music

### Master of Public Administration

Fourteen candidates

Allan Daly Appleton, Columbus  
B.A. (Fairleigh Dickinson  
University)  
*Field of Specialization* : Public  
Administration

Stuart Ira Bretschneider,  
Hillsdale, N. J.  
B.A. (Allegheny College) ; M.A.  
*Field of Specialization* : Public  
Administration

David C. Frederick, Kettering  
B.A.  
*Field of Specialization* : Public  
Administration

Dominic Frissora, Worthington  
B.S.B.A. (Franklin University)  
*Field of Specialization* : Public  
Administration

Charles Edward Hayward,  
Wilmington, Del.  
B.A. (Hampton Institute)  
*Field of Specialization* : Public  
Administration

Julia Maude Ingram, Durham, N. C.  
B.A. (Emory University)  
*Field of Specialization* : Public  
Administration

Robert Sing Moy, Brooklyn, N. Y.  
B.S. (State University of New York  
at Stony Brook)  
*Field of Specialization* : Public  
Administration

Toshiaki Omori, Tokyo, Japan  
B.L. (University of Tokyo)  
*Field of Specialization* : Public  
Administration

Mario T. Pipinos, Weirton, W. Va.  
B.S.Bus.Adm. (West Virginia  
University)  
*Field of Specialization* : Public  
Administration

Marc H. Posner, Brooklyn, N. Y.  
B.A.  
*Field of Specialization* : Public  
Administration

Terry Leslie Proctor, Bethlehem, Pa.  
B.A. (Pennsylvania State University)  
*Field of Specialization* : Public  
Administration

William L. Sherry, Oakwood  
B.A. (Ohio Northern University)  
*Field of Specialization* : Public  
Administration

Constance Louise Simmons, Galion  
B.A.  
*Field of Specialization* : Public  
Administration

Clifford Earl Simonsen, Grove City  
B.S. (University of Omaha) ;  
M.S. (Florida State University)  
*Field of Specialization* : Public  
Administration

### Master of Science

Two hundred and twenty-two candidates

Thomas Charles Ackerman, Prospect  
B.S.Agr.  
*Field of Specialization* : Agricultural  
Education

Patricia Ruhlman Adams, Columbus  
B.S.Occ.Ther.  
*Field of Specialization* : Allied  
Medical Professions

Mary Barbara Ciardelli Alexander,  
Columbus  
A.B. (Smith College)  
*Field of Specialization* : Zoology

Elfatih Mohamed Ali,  
Khartoum, Sudan  
B.Sc. (University of Khartoum)  
*Field of Specialization* : Civil  
Engineering

Jerome L. Althoff, Bowling Green  
B.S. (Purdue University)  
*Field of Specialization* : Computer  
and Information Science

Richard Francis Annibaldi, Columbus  
B.S.E.E. (Ohio University)  
*Field of Specialization* : Electrical  
Engineering

Jacob Mark Axel, Sheboygan, Wis.  
B.S. (University of Wisconsin)  
*Field of Specialization* : Allied  
Medical Professions

Maria Grevenioti Babajimopoulos,  
Thessaloniki, Greece  
B.A. (Aristolelian University)  
*Field of Specialization* : Food Science  
and Nutrition

Mary Rebecca Baird, Edison  
B.S.  
*Field of Specialization* : Geology and  
Mineralogy

Douglas Neal Ball, Mansfield  
B.S.A.A.E.  
*Field of Specialization* : Aeronautical  
and Astronautical Engineering

Jack Charles Berno, Jr., Chillicothe  
B.A. (Williams College)  
*Field of Specialization* : Physiology

George Donald Biemel, Parma  
B.S.C.E.  
*Field of Specialization* : Civil  
Engineering

Daniel Francis Bischof,  
Fairview Park  
B.S. (Case Western Reserve  
University)  
*Field of Specialization* : Physiology

Carole Jean Black, Worthington  
B.S.H.E.  
*Field of Specialization* : Allied  
Medical Professions

David M. Boothe, Hamden  
B.S.Agr.  
*Field of Specialization* : Agricultural  
Education

Martin Allen Bozeman, Cincinnati  
B.A. (University of Cincinnati)  
*Field of Specialization* : Zoology

Danny L. Brown, Spring Valley  
B.S.  
*Field of Specialization* : Physiology

Rinaldo Antonio Brusadin, Columbus  
B.S.Pharm.  
*Field of Specialization* : Pharmacy

John Howard Buxton, Nashua, N. H.  
B.S., M.S. (Rensselaer Polytechnic  
Institute)  
*Field of Specialization* : Aeronautical  
and Astronautical Engineering

Susan Fraker Carnes, Columbus  
B.S. (University of Akron)  
*Field of Specialization* : Geology and  
Mineralogy

Robert Spencer Chambers, Belpre  
B.S.C.E.  
*Field of Specialization* : Civil  
Engineering

Chi Chang, Taipei, Taiwan  
B.S. (National Tsing Hua  
University)  
*Field of Specialization* : Chemistry

Li-Jan Chang, Taipei, Taiwan  
B.S. (National Taiwan University)  
*Field of Specialization* : Chemistry

Shou-mei Chen, Taipei, Taiwan  
B.S. (National Taiwan University)  
*Field of Specialization* : Agronomy

Robert Wing Kai Chong, Hong Kong  
Diploma (Hong Kong Baptist  
College)  
*Field of Specialization*: Civil  
Engineering

Ta-Ching Chow, Taipei, Taiwan  
B.A. (National Taiwan University);  
M.A., M.A. (University of  
Massachusetts)  
*Field of Specialization*: Statistics

Carlos Jose Chua, Manila, Philippines  
B.S. (University of the Philippines);  
M.S.  
*Field of Specialization*: Computer  
and Information Science

Dennis N. Cipollo, Cleveland  
B.S. (Purdue University)  
*Field of Specialization*: Chemistry

Gilbert J. Cohen, Reynoldsburg  
B.S.  
*Field of Specialization*: Computer  
and Information Science

Leonard Harry Conley, Cleveland  
B.S.Agr.  
*Field of Specialization*: Agricultural  
Education

Patricia Kay Conner, Columbus  
B.S.H.E.  
*Field of Specialization*: Home  
Economics

Gayle Osburn Corlett, Columbus  
B.A. (Ohio Wesleyan University)  
*Field of Specialization*: Home  
Economics

\*Richard Lynn Crawford, West Union  
*Field of Specialization*: Agricultural  
Education

Brian Scott Crowley, Youngstown  
B.S. (Carnegie-Mellon University)  
*Field of Specialization*: Astronomy

Curtis Woodward Davis, III, Toledo  
B.S.E.E.  
*Field of Specialization*: Electrical  
Engineering

Roger Leo Davis, Columbus  
B.S.A.A.E.  
*Field of Specialization*: Aeronautical  
and Astronautical Engineering

Mary Elaine Duafala, Aliquippa, Pa.  
B.S. (University of Pittsburgh)  
*Field of Specialization*: Pharmacy

Jean-Pierre Dujardin, Gent, Belgium  
Diploma-Civil Eng., Diploma-Elec.  
Eng. (State University of Gent)  
*Field of Specialization*: Physiology

David Engler, Cleveland Heights  
A.B. (Case Western Reserve  
University)  
*Field of Specialization*: Preventive  
Medicine

David A. Evans, Johnstown, Pa.  
B.S.  
*Field of Specialization*: Genetics

David Leigh Evans, Columbus  
D.D.S.  
*Field of Specialization*: Dentistry

Charles Alexis Fammatre, Dublin  
B.S. (California State Polytechnical  
College, San Luis Obispo)  
*Field of Specialization*: Animal  
Science

Floyd E. Farley, Brook Park  
B.B.A. (Cleveland State University)  
*Field of Specialization*: Allied Medical  
Professions

Jerold Vaughn Feddersen, Jr.,  
Columbus  
B.S.  
*Field of Specialization*: Allied Medical  
Professions

Jörg E. T. Finsinger,  
Karlsruhe, Germany  
Vordiplom (Technical University)  
*Field of Specialization*: Mathematics

Sharon Lee Foster, Vandalia  
B.S.Phys. Ther.  
*Field of Specialization*: Allied Medical  
Professions

James M. Fowles, Chillicothe  
B.S. (Ohio University)  
*Field of Specialization*: Zoology

Ralph Reed Fraley, Tiffin  
B.S. (United States Military  
Academy)  
*Field of Specialization*: Allied Medical  
Professions

John William Francis, Fremont  
B.S.Agr.  
*Field of Specialization*: Natural  
Resources

Barbara Ann Fricke, Perryville, Mo.  
B.S.Med.Tech. (Western Illinois  
University)  
*Field of Specialization*: Allied Medical  
Professions

Samuel Ellsworth Frowine, III,  
Columbus  
B.S.Soc.Wel.  
*Field of Specialization*: Home  
Economics

Terry Lee Fry, Vienna, W. Va.  
B.S.E.E.  
*Field of Specialization*: Electrical  
Engineering

Maher Ragheb Girgis, Columbus  
B.Civil Engr. (Cairo University)  
*Field of Specialization*: Civil  
Engineering

Barbara Anne Girz, Columbus  
B.S. (Ohio Dominican College)  
*Field of Specialization*: Pathology

Edward M. Goldberg, Oak Lawn, Ill.  
B.S. (Northern Illinois University)  
*Field of Specialization*: Allied  
Medical Professions

James Martin Golding, Toledo  
B.S.C.T. (Cleveland State  
University)  
*Field of Specialization*: Civil  
Engineering

\*Rebecca Elaine Gompf,  
Livingston, N. J.  
B.S.Agr.  
*Field of Specialization*: Veterinary  
Physiology and Pharmacology

John Gregory Gordon, Smithville  
B.S. Agr.  
*Field of Specialization*: Animal  
Science

Michael Lewis Griffith, Dayton  
B.S. (Virginia Polytechnic Institute)  
*Field of Specialization*: Aeronautical  
and Astronautical Engineering

David E. Grimes, Jr., Cambridge  
B.S.E.E. (University of Akron)  
*Field of Specialization*: Electrical  
Engineering

Michael Alan Grotting,  
Pullman, Wash.  
B.Pharm. (Washington State  
University)  
*Field of Specialization*: Pharmacy

Joseph A. Harasimowicz, Norfolk, Va.  
B.A. (College of the Holy Cross);  
M.D. (Tufts University)  
*Field of Specialization*: Preventive  
Medicine

Keith Martin Harshman, Cincinnati  
B.S.C.E.  
*Field of Specialization*: Civil  
Engineering

\* Also Bachelor of Science in Agriculture,  
College of Agriculture and Home Economics  
\*\* Also Doctor of Veterinary Medicine, College  
of Veterinary Medicine

- Michael E. Haubner, Fairborn  
B.S.Agr. (University of Kentucky)  
*Field of Specialization: Agricultural Education*
- Stephen Earl Hauck, Columbus  
B.S. Food Tech.  
*Field of Specialization: Horticulture*
- William Howard Hegge, Deer Park  
B.S.Agr.  
*Field of Specialization: Natural Resources*
- Perry Alden Higgins, Columbus  
B.S.Agr.  
*Field of Specialization: Horticulture*
- Gary R. Hilyard, Wichita Falls, Tex.  
B.S. Pharmacy (University of Kansas)  
*Field of Specialization: Pharmacy*
- Franklin Hirsch, Hawley, Pa.  
B.S. (Marietta College)  
*Field of Specialization: Zoology*
- Sanford Steven Hirschhorn, Oceanside, N. Y.  
B.A. (University of Rochester); M.S.  
*Field of Specialization: Computer and Information Science*
- Peter Hin-Yui Ho, Chico, Calif.  
B.S. (Chico State College)  
*Field of Specialization: Industrial and Systems Engineering*
- John Marc Holser, Columbus  
B.S.  
*Field of Specialization: Microbiology*
- William A. Horger, Jr., Orangeburg, S. C.  
B.S. (University of South Carolina)  
*Field of Specialization: Computer and Information Science*
- Charles Edward Hornbeck, Fairborn  
B.S.Mech.Eng. (University of Akron)  
*Field of Specialization: Mechanical Engineering*
- Gregory Dana Hoyt, Cambridge  
B.S. (Kent State University)  
*Field of Specialization: Agronomy*
- Fang Hsu, Taipei, Taiwan  
B.S. (Tamkang College of Arts and Sciences)  
*Field of Specialization: Computer and Information Science*
- William Pinckney Huffman, III, Euclid  
B.S. in Math., B.S. in Physics (Massachusetts Institute of Technology)  
*Field of Specialization: Mathematics*
- Paul Leroy Jacquemin, Hamilton  
B.S. Agr.  
*Field of Specialization: Agronomy*
- Wayne A. Jansen, Fairborn  
B.S., M.S. (University of Dayton)  
*Field of Specialization: Computer and Information Science*
- Vijay C. Jaswa, Kandivli, India  
B. Tech. (Indian Institute of Technology)  
*Field of Specialization: Electrical Engineering*
- Patricia Stone Johnston, Ripley, W. Va.  
B.S. Nsg. (West Virginia University)  
*Field of Specialization: Nursing*
- James Edward Jones, Wooster  
D.V.M.  
*Field of Specialization: Veterinary Preventive Medicine*
- Stephen Robert Kappes, Athens  
B.S. (Ohio University)  
*Field of Specialization: Pathology*
- Henry George Kattesh, Columbus  
B.S.Agr.  
*Field of Specialization: Animal Science*
- Terrence William Kennedy, Cincinnati  
B.S. (Xavier University)  
*Field of Specialization: Mathematics*
- James Michael Kevra, Detroit, Mich.  
B.S.E. (University of Michigan)  
*Field of Specialization: Mechanical Engineering*
- Gary S. Key, Memphis, Tenn.  
B.S. (Memphis State University);  
D.D.S. (University of Tennessee)  
*Field of Specialization: Dentistry*
- Larry Joseph Kezele, Plainwell, Mich.  
B.S. (Western Michigan University)  
*Field of Specialization: Electrical Engineering*
- Robert E. Kielb, Dayton  
B.S. (Purdue University)  
*Field of Specialization: Mechanical Engineering*
- Marilyn L. Kikta, Parma Heights  
B.S. (University of Dayton)  
*Field of Specialization: Zoology*
- Louis E. King, Huntsville, Ill.  
B.S. (Illinois College)  
*Field of Specialization: Developmental Biology*
- Gary C. Klein, Wadsworth  
B.S. (University of Akron)  
*Field of Specialization: Zoology*
- William Wayne Knox, Colorado Springs, Colo.  
B.S. (University of Kansas)  
*Field of Specialization: Allied Medical Professions*
- Robert Leslie Krause, Baltimore  
B.E.E. (University of Dayton);  
M.S.E.E. (University of Wisconsin)  
*Field of Specialization: Mechanical Engineering*
- Mao-Sung Kuo, Miau Li, Taiwan  
B.S. (Tunghai University)  
*Field of Specialization: Chemistry*
- Danny R. Ladner, Columbus  
B.S. (Memphis State University)  
*Field of Specialization: Physics*
- Jane Keller Laipply, Columbus  
B.S. Nurs.  
*Field of Specialization: Nursing*
- Therese Marie Lemire, Pierpont  
B.S. Nurs. (Case Western Reserve University)  
*Field of Specialization: Nursing*
- Paul Edward Lensman, St. Paris  
B.A. (Wittenberg University)  
*Field of Specialization: Mathematics*
- Lick Hong Leung, Wanchai, Hong Kong  
B.S.  
*Field of Specialization: Computer and Information Science*
- Michael Steven Lichterman, Richmond Heights  
B.A. (Michigan State University)  
*Field of Specialization: Allied Medical Professions*
- Richard Paul Logue, Portage, Pa.  
B.S. (Pennsylvania State University)  
*Field of Specialization: Computer and Information Science*
- Cynthia Lee Mannarino, Columbus  
A.B. (Cornell University)  
*Field of Specialization: Home Economics*
- Terrence L. Mannell, Topeka, Kan.  
B.S.Agr. (Kansas State University)  
*Field of Specialization: Horticulture*
- Ted William Marker, Whitehall  
B.S.Ch.E. (University of Akron)  
*Field of Specialization: Chemical Engineering*
- David G. McClure, Washington C. H.  
B.S.Agr.  
*Field of Specialization: Agronomy*
- Robert James McClure, Wooster  
B.A.  
*Field of Specialization: Botany*

- Sandra Stewart McCoy, Columbus  
B.A. (DePauw University)  
*Field of Specialization*: Pathology
- R. Joan McKenzie, Elgood, W. Va.  
B.S.H.Ec. (Concord College)  
*Field of Specialization*: Agricultural Education
- Russell Blaine McKenzie, Wauseon  
B.S.Agr.  
*Field of Specialization*: Agricultural Education
- George Fredric Medford,  
Wellesley Hills, Mass.  
B.A. (Denison University)  
*Field of Specialization*: Chemistry
- Mark Andrew Mensing, Lowden  
B.S. (University of Iowa)  
*Field of Specialization*: Electrical Engineering
- Seif El Din Fageer Mohamed,  
Ettura Sudan, Sudan  
B.Sc. (University of Khartoum)  
*Field of Specialization*: Horticulture
- Gary W. Monti, Columbus  
B.A. (College of Steubenville)  
*Field of Specialization*: Veterinary Physiology and Pharmacology
- Donald Arthur Moore, Eaton  
B.A.  
*Field of Specialization*: Zoology
- James B. Mosier, Rockville, Md.  
B.S. (Indiana University);  
B.S. (George Washington University)  
*Field of Specialization*: Geodetic Science
- John Robert Mount, Columbus  
B.S. Food Tech.  
*Field of Specialization*: Horticulture
- David Fredrick Muzzy,  
Buffalo Grove, Ill.  
B.S. (University of Detroit)  
*Field of Specialization*: Mathematics
- Richard Douglas Myser, Westerville  
B.A. (Maryville College)  
*Field of Specialization*: Zoology
- William Wayne Nagel, Jr.,  
New Castle, Pa.  
B.S. (Rensselaer Polytechnic Institute)  
*Field of Specialization*: Electrical Engineering
- Todd Lee Needham, Lakewood  
B.S. (Wittenberg University); D.D.S.  
*Field of Specialization*: Dentistry
- Philip A. Newbold, Dayton  
B.S.; M.B.A. (Miami University)  
*Field of Specialization*: Allied Medical Professions
- Mark Daniel Newkirk,  
Pleasantville, N. J.  
B.S. (Rutgers University)  
*Field of Specialization*: Animal Science
- Thomas Gregory Nickles, Marietta  
B.S.Agr.  
*Field of Specialization*: Agricultural Education
- Abdol Ali Nili, Rolla, Mo.  
B.Sc. (University of Missouri)  
*Field of Specialization*: Electrical Engineering
- \*Sarah Constance Nipah,  
Kumasi, Ghana  
*Field of Specialization*: Agricultural Education
- Saleh Mustafa Nuesry,  
Washington, D. C.  
B.Sc. (University of Libya)  
*Field of Specialization*: Plant Pathology
- Takashi Oshikiri, Yokohama, Japan  
B.E. (Shibaura Institute of Technology)  
*Field of Specialization*: Mechanical Engineering
- David S. Pacacha, McKeesport, Pa.  
B.S. (Drexel Institute of Technology)  
*Field of Specialization*: Welding Engineering
- Donald Palmer, Cleveland  
B.S. (California State University)  
*Field of Specialization*: Natural Resources
- James Carl Papritan, II, Lancaster  
B.S.Agr.  
*Field of Specialization*: Agricultural Education
- Charles Howard Pares,  
Brooklyn, N. Y.  
B.S. (Brooklyn College)  
*Field of Specialization*: Computer and Information Science
- Eugene Philip Parker, Columbus  
B.A., M.A.  
*Field of Specialization*: Natural Resources
- Carol P. Patton, Worthington  
B.S.Nurs.  
*Field of Specialization*: Physiology
- Robert Payne, Columbus  
B.S. (Louisiana Polytechnical Institute)  
*Field of Specialization*: Electrical Engineering
- Wilford A. Payne, Youngstown  
A.B. (Youngstown State University)  
*Field of Specialization*: Allied Medical Professions
- Lee Richard Pedowicz,  
Dix Hills, N. Y.  
B.S.E.E. (Washington University)  
*Field of Specialization*: Electrical Engineering
- Mary Clark Peele, Raleigh, N. C.  
B.S. (North Carolina State University)  
*Field of Specialization*: Horticulture
- Doyt Lee Perry, Bowling Green  
B.S. (Bowling Green State University)  
*Field of Specialization*: Computer and Information Science
- Alice Marie Pickering, Elida  
B.S.Nurs. (Indiana University)  
*Field of Specialization*: Nursing
- Louis Pomerantz, Levittown, N. Y.  
B.A. (Hofstra University)  
*Field of Specialization*: Preventive Medicine
- Palmer Edward Powell, Jr.,  
Winnsboro, S. C.  
B.S. (Georgia Institute of Technology)  
*Field of Specialization*: Physics
- Thomas Frederick Prusa,  
Garfield Heights  
B.S.Agr.  
*Field of Specialization*: Natural Resources
- Thomas William Pulse, Hillsboro  
B.S.Agr.  
*Field of Specialization*: Agricultural Education
- Joseph John Pydeski, Hillside, N. J.  
B.A. (Montclair State College)  
*Field of Specialization*: Chemistry
- John Anthony Ragazzo, Niles  
B.S.  
*Field of Specialization*: Biochemistry
- Donna P. Anderson Ralston,  
Coshocton  
B.S.H.Ec. (Ohio University)  
*Field of Specialization*: Home Economics
- Kathleen M. Ramsey,  
Hutchinson, Kan.  
B.S.HomeEc. (Kansas State University)  
*Field of Specialization*: Home Economics
- Steven Allen Rath, Columbus  
B.S.C.E.  
*Field of Specialization*: Civil Engineering

\* Also Bachelor of Science in Agriculture, College of Agriculture and Home Economics

- Daniel Benjamin Rathbone, Sunnyside, South Africa  
B.Sc., B.Eng. (University of Stellenbosch)  
*Field of Specialization: Civil Engineering*
- Martha Michelle Reed, Zanesville  
B.S.H.E.  
*Field of Specialization: Home Economics*
- John Gerald Reeder, Arlington, Va.  
B.A. (George Washington University)  
*Field of Specialization: Agricultural Economics and Rural Sociology*
- Curtis P. Rinsland, Allentown, Pa.  
B.S. (Pennsylvania State University)  
*Field of Specialization: Astronomy*
- Larry Keith Ritzhaupt, Galion  
B.S.  
*Field of Specialization: Animal Science*
- Robert L. Romig, Tuscarawas  
B.S.Agr.  
*Field of Specialization: Agricultural Education*
- Christopher L. Rose, Forest  
B.S.  
*Field of Specialization: Agricultural Education*
- Daniel Enrique Ruiz-Florez, Columbus  
Medicina Y Cirugia (Universidad Nacional de Colombia)  
*Field of Specialization: Medical Microbiology*
- Sriram Sambamurthy, Bombay, India  
B.Tech (Indian Institute of Technology)  
*Field of Specialization: Electrical Engineering*
- Linda Diane Saville, Sabina  
B.S.  
*Field of Specialization: Zoology*
- Philip James Schneider, Columbus  
B.S. (University of Wisconsin)  
*Field of Specialization: Pharmacy*
- \*Marvin E. Schuit, Versailles  
*Field of Specialization: Agronomy*
- Robert Benton Schwart, Jr., Springfield, Ill.  
B.S. (University of Illinois)  
*Field of Specialization: Agricultural Economics and Rural Sociology*
- Robert J. Semons, Hilliard  
B.E.E.  
*Field of Specialization: Electrical Engineering*
- John Paul Sestito, Columbus  
B.S.  
*Field of Specialization: Preventive Medicine*
- Sally Anne Shafer, Columbus  
B.S. (Denison University)  
*Field of Specialization: Physics*
- John Kwang-Chi Shan, Taipei, Taiwan  
B.E. (Tamkang College)  
*Field of Specialization: Civil Engineering*
- David Edgar Shapter, Jr., Columbus  
B.S. (Pennsylvania State University)  
*Field of Specialization: Pathology*
- Vinod Kumar Sharma, Jullandur City, India  
B.Sc. (Punjab University); B.Sc. (Punjab Agricultural University)  
*Field of Specialization: Agricultural Engineering*
- James Robert Sherbundy, Bucyrus  
B.S.E.E.  
*Field of Specialization: Electrical Engineering*
- Roberta Sherman, Fairborn  
B.S.Nurs.  
*Field of Specialization: Nursing*
- Joanne Coopersmith Sherriff, Columbus  
B.S.Ed.  
*Field of Specialization: Allied Medical Professions*
- Kent Eugene Short, West Unity  
B.S.Agr.  
*Field of Specialization: Animal Science*
- David Michael Sinar, Barberton  
B.S. (John Carroll University); D.D.S.  
*Field of Specialization: Dentistry*
- Richard Maxwell Slaybaugh, Jr., Columbus  
B.S.Nat.Res.  
*Field of Specialization: Natural Resources*
- Roger William Smith, Gallipolis  
B.S.Agr.  
*Field of Specialization: Agricultural Economics and Rural Sociology*
- William Harold Smith, II, Wichita, Kan.  
B.S.Pharm. (University of Oklahoma)  
*Field of Specialization: Pharmacy*
- Richard David Snell, Milford  
B.A.; B.S.E.E. (Colorado State University)  
*Field of Specialization: Electrical Engineering*
- Prescott C. Snyder, Plymouth, Ind.  
B.A. (Purdue University); M.C.P.  
*Field of Specialization: Natural Resources*
- Paul Joseph Stazen, Barberton  
D.D.S.  
*Field of Specialization: Dentistry*
- Sandra Skinner Sterrett, Fostoria  
B.S. (Heidelberg College)  
*Field of Specialization: Zoology*
- Merlin J. Stingle, Columbus  
B.S.M.E. (University of Wisconsin)  
*Field of Specialization: Mechanical Engineering*
- James Lawrence Stires, Columbus  
B.A.  
*Field of Specialization: Natural Resources*
- Richard Lawrence Stoffer, Wooster  
B.S. (Ashland College)  
*Field of Specialization: Zoology*
- John Stephen Storms, Avon Lake  
B.S. (Michigan State University)  
*Field of Specialization: Zoology*
- Stuart Edward Strand, Columbus  
B.A.A.E.  
*Field of Specialization: Civil Engineering*
- James Dishman Sturgill, Cleveland Heights  
B.S.C.E. (Ohio University)  
*Field of Specialization: Civil Engineering*
- Richard J. Sujdak, Carnegie, Pa.  
B.S. (Carnegie-Mellon University)  
*Field of Specialization: Chemistry*
- Sister Josephine Sullivan, Adrian, Mich.  
B.S. (Sienna Heights College); M.A. (University of Detroit)  
*Field of Specialization: Allied Medical Professions*
- Ming-Sang Sung, Taipei, Taiwan  
B.S. (Tamkang College of Arts and Sciences)  
*Field of Specialization: Chemistry*
- Gerald Anthony Teresk, Ashtabula  
B.S.  
*Field of Specialization: Botany*
- \*\*Jack Edward Terry, Hamilton  
*Field of Specialization: Physiological Optics*

\* Also Bachelor of Science in Agriculture, College of Agriculture and Home Economics  
\*\* Also Doctor of Optometry, College of Optometry



James J. Thome, Sr., Maple Heights  
B.S. (United States Military  
Academy)  
*Field of Specialization: Industrial  
and Systems Engineering*

Robert Raymond Tight, Columbus  
B.A., M.D. (University of Rochester)  
*Field of Specialization: Medical  
Microbiology*

William A. Tolin, Chauncey  
B.S. (Ohio University)  
*Field of Specialization: Zoology*

Luan Ton-that, Saigon, Vietnam  
B.S.E.E. (Ohio University)  
*Field of Specialization: Electrical  
Engineering*

William Joseph Tourek, Omaha, Neb.  
B.S. (Creighton University)  
*Field of Specialization: Chemistry*

Asterios Tsavdaris, Athens, Greece  
Diploma (National Technical  
University)  
*Field of Specialization: Welding  
Engineering*

Jack Newton Tuller, Columbus  
B.S.  
*Field of Specialization: Geology and  
Mineralogy*

Tanongsuk Tuvinun,  
Bangkok, Thailand  
B.S.C.E., B.S.E.E. (Norwich  
University)  
*Field of Specialization: Electrical  
Engineering*

Peter Cari Vorum, Madison, N. J.  
B.S.M.E.  
*Field of Specialization: Mechanical  
Engineering*

Robert H. Wagoner, II,  
Sterling Heights, Mich.  
B.S.Met.E.  
*Field of Specialization: Metallurgical  
Engineering*

Ann Tambling Walker, Hebron  
B.A. (Ohio Wesleyan University)  
*Field of Specialization: Allied  
Medical Professions*

Larry T. Walker, Columbus  
B.S.  
*Field of Specialization: Microbiology*

\*Chin San Wang, I Lan, Taiwan  
B.S. (Northeast Missouri State  
College); M.S. (University of  
Arkansas)  
*Field of Specialization: Computer  
and Information Science*

U-Lun Wang, Taipei, Taiwan  
B.S. (National Taiwan University);  
M.S. (Carnegie-Mellon University)  
*Field of Specialization: Computer  
and Information Science*

Thomas Raymond Watkins,  
Westerville  
B.E.E.  
*Field of Specialization: Electrical  
Engineering*

Doyle Robin Watts, Brookville  
B.S.  
*Field of Specialization: Geology and  
Mineralogy*

Jane E. Weed, Enosburg Falls, Vt.  
B.S. (University of Vermont)  
*Field of Specialization: Allied  
Medical Professions*

Doyle E. Westbrook, Columbus  
B.A.  
*Field of Specialization: Computer  
and Information Science*

Walter E. Wilkins, Dayton  
B.A. (Earlham College)  
*Field of Specialization: Animal  
Science*

Brenda Jane Wilson, McLean, Va.  
A.B. (Earlham College)  
*Field of Specialization: Statistics*

Richard Lee Wolgemuth, Columbus  
B.S. (Ashland College)  
*Field of Specialization: Physiology*

Erich James Wolters, Akron  
B.A. (Trinity College)  
*Field of Specialization: Allied  
Medical Professions*

Herman H. Wong, Ada  
A.B., M.S. (San Diego State College)  
*Field of Specialization: Industrial  
and Systems Engineering*

Barbara J. Wurzel, Norwalk  
B.S.H.E.  
*Field of Specialization: Home  
Economics*

Nobuyuki Yamauchi,  
Hikami Gun, Japan  
B.E., M.S. (Osaka University)  
*Field of Specialization: Welding  
Engineering*

Richard Reamer Yeoman, Caledonia  
B.S.  
*Field of Specialization: Physiology*

Robert Allen Young, Youngstown  
A.B. (University of Michigan)  
*Field of Specialization: Genetics*

Soon Sim Yun, Columbus  
B.S. (Ewha Womans University)  
*Field of Specialization: Home  
Economics*

Morteza Zaim, Tehran, Iran  
B.S. (Pahlavi University)  
*Field of Specialization: Entomology*

Larry S. Zukerman, Columbus  
B.S.  
*Field of Specialization: Microbiology*

Daniel Robert Zupancic,  
Cleveland Heights  
B.A.  
*Field of Specialization: Mathematics*

#### **Master of Social Work**

Eighty-seven candidates

Lois C. Alpers, Columbus  
B.A.  
*Field of Specialization: Social Work*

William Byron Appleman, Columbus  
B.S.Agr.  
*Field of Specialization: Social Work*

Eunice Elaine Bales, West Milton  
B.S. (George Fox College)  
*Field of Specialization: Social Work*

Sheila Baroway, Delaware  
B.F.A. (Ohio Wesleyan University)  
*Field of Specialization: Social Work*

Margaret Anne Barry, Columbus  
M.S. (Syracuse University)  
*Field of Specialization: Social Work*

David MacArthur Besa,  
Baltimore, Md.  
B.A. (University of Maryland)  
*Field of Specialization: Social Work*

William D. Blackburn, Worthington  
B.S. (Urbana College)  
*Field of Specialization: Social Work*

\*\*Carl A. Brauner, Jr.,  
Tacoma, Wash.  
A.B. (College of Saint Charles  
Borromeo); B.A. (University of  
Puget Sound)  
*Field of Specialization: Social Work*

Cristina Carol Brubaker, Dayton  
B.A. (Miami University)  
*Field of Specialization: Social Work*

\* Also Doctor of Philosophy, Graduate School  
\*\* Also Master of City and Regional Planning,  
Graduate School

Lola Cornathan Butler, Columbus  
A.B. (Mary Manse College)  
*Field of Specialization: Social Work*

Mary E. Campbell, Evans City, Pa.  
A.B. (Ohio University)  
*Field of Specialization: Social Work*

Elizabeth Anne Carter, Trenton, N. J.  
B.A. (Fairleigh Dickinson University)  
*Field of Specialization: Social Work*

Beverley Cook Clifford, Gambier  
A.B. (Syracuse University)  
*Field of Specialization: Social Work*

Carolyn Margaret Close, Columbus  
B.S.  
*Field of Specialization: Social Work*

Josephine Ann Colli, Columbus  
B.S.Soc.Wel.  
*Field of Specialization: Social Work*

M. Jacqueline Costigan, Columbus  
B.S.Soc.Wel.  
*Field of Specialization: Social Work*

Elizabeth Anne Deutschlander, Columbus  
B.S. (Denison University)  
*Field of Specialization: Social Work*

Paul Edward Deutschlander, Middleburg Heights  
B.S. (Denison University)  
*Field of Specialization: Social Work*

Laura Mayhew Ely, Columbus  
B.A. (Marietta College)  
*Field of Specialization: Social Work*

Marilyn L. Fairchild, Christiansburg  
B.A. (Bluffton College)  
*Field of Specialization: Social Work*

John Michael Favret, Worthington  
A.B. (Ohio Dominican College)  
*Field of Specialization: Social Work*

Ronald Ferguson, Cincinnati  
B.A. (University of Cincinnati)  
*Field of Specialization: Social Work*

Steven Gary Fishkin, New Rochelle, N. Y.  
B.A. (State University of New York at Albany)  
*Field of Specialization: Social Work*

Laura Kostin Foulkes, Rochester, N. Y.  
B.A. (Hofstra University)  
*Field of Specialization: Social Work*

George Fitzroy Franklin, Wilberforce  
B.A. (Morgan State College);  
M.A. (Long Island University)  
*Field of Specialization: Social Work*

Nicholas J. Gambino, Dayton  
B.A. (University of Dayton)  
*Field of Specialization: Social Work*

Mary H. Gannon, Columbus  
B.S. (Skidmore College)  
*Field of Specialization: Social Work*

George Philip Glaser, Hyattsville, Md.  
B.A. (University of Maryland)  
*Field of Specialization: Social Work*

Michele A. Goodrich, Worthington  
B.S.Soc.Wel.  
*Field of Specialization: Social Work*

Susan Lynn Guzzo, Columbus  
B.S.Soc.Wel.  
*Field of Specialization: Social Work*

James Garnett Hairston, Jr., Dayton  
A.B. (Ohio University)  
*Field of Specialization: Social Work*

Elizabeth Joan Hall, Maumee  
B.A. (Miami University)  
*Field of Specialization: Social Work*

James Curtis Heckman, Ashland  
B.S.  
*Field of Specialization: Social Work*

Patricia B. Henderson, Columbus  
B.A. (Edgecliff College)  
*Field of Specialization: Social Work*

Donna Lynn Hinkle, Olmsted Falls  
B.A. (Bowling Green State University)  
*Field of Specialization: Social Work*

David C. Hunter, Columbus  
B.A.  
*Field of Specialization: Social Work*

Eugene P. Johnson, Cincinnati  
B.S.Soc.Work (University of Cincinnati)  
*Field of Specialization: Social Work*

Carol J. Kaemmerer, Columbus  
B.A. (Miami University)  
*Field of Specialization: Social Work*

Marcia Kirsner Kanoff, Cincinnati  
B.A. (University of Cincinnati)  
*Field of Specialization: Social Work*

Lynne Nora Katz, Massapequa, N. Y.  
B.A. (Hofstra University)  
*Field of Specialization: Social Work*

Laura Beth Kaufman, Shaker Heights  
B.A. (Ashland College)  
*Field of Specialization: Social Work*

Kirk J. Kavanaugh, Cincinnati  
B.S. (University of Cincinnati)  
*Field of Specialization: Social Work*

Michele Anne Kelley, Canton  
B.A. (University of Akron)  
*Field of Specialization: Social Work*

Elizabeth Ann Key, Augusta, Ga.  
B.A. (Fort Valley State College)  
*Field of Specialization: Social Work*

Karen Finn Lakritz, Clarence, N. Y.  
B.A. (State University of New York at Stony Brook)  
*Field of Specialization: Social Work*

Jean Alice Leeper, Columbus  
B.A. (College of Wooster)  
*Field of Specialization: Social Work*

Kenneth P. Lewis, Jr., Columbus  
B.A. (Bluffton College)  
*Field of Specialization: Social Work*

Joseph A. Loizzo, Dayton  
B.S. (Fordham University)  
*Field of Specialization: Social Work*

Daniel Richard Lytle, Columbus  
B.A.  
*Field of Specialization: Social Work*

Lois Lineberry MacKinney, Kettering  
B.S.Bus.Adm. (Northwestern University)  
*Field of Specialization: Social Work*

John G. Martin, Brooklyn, N. Y.  
A.B. (Winston-Salem State University)  
*Field of Specialization: Social Work*

William Bruce Martin, Mt. Vernon  
B.A.  
*Field of Specialization: Social Work*

Paul Rodney Martinson, North Canton  
B.A. (Baldwin-Wallace College)  
*Field of Specialization: Social Work*

Kathleen Keller McNeal, Columbus  
B.S.Soc.Wel.  
*Field of Specialization: Social Work*

John Arthur Metzger, Columbus  
B.S.Soc.Wel.  
*Field of Specialization: Social Work*

Jane Tucker Moore, Cincinnati  
A.B. (Oberlin College)  
*Field of Specialization: Social Work*

Wayne Richard Moore, Fayetteville, N. C.  
B.S. (East Carolina University)  
*Field of Specialization: Social Work*

Timothy Jay Neidermeyer, Euclid  
B.A. (Ashland College)  
*Field of Specialization: Social Work*

M. Dorothy Osgood, Midville, Ga.  
B.A. (Berea College)  
*Field of Specialization: Social Work*

Charlotte Matilda Osterman, Darlington, S. C.  
B.A. (Andrews University)  
*Field of Specialization: Social Work*

Frances Camille Pernell, Columbus  
B.A. (Dickinson College)  
*Field of Specialization: Social Work*

Robert Anthony Phalen, Pataskala  
B.A. (Seton Hall University)  
*Field of Specialization: Social Work*

Deborah Ann Price,  
Riviera Beach, Fla.  
B.A. (Clark College)  
*Field of Specialization: Social Work*

Barbara Sue Randall, Columbus  
B.S.Soc.Wel.  
*Field of Specialization: Social Work*

Thais Colleen Reiff, Springfield  
B.A. (Michigan State University)  
*Field of Specialization: Social Work*

Donald R. Rohling, Cincinnati  
B.A. (Duns Scotus College)  
*Field of Specialization: Social Work*

Dennis M. Rosenblitt, Jamaica, N. Y.  
B.A. (Queens College)  
*Field of Specialization: Social Work*

Karen S. Ross,  
West Los Angeles, Calif.  
B.A. (California State University,  
Northridge)  
*Field of Specialization: Social Work*

Frances Hines Russell, Westerville  
B.S.Soc.Wel.  
*Field of Specialization: Social Work*

Carol K. Y. Sakai, Dayton  
B.A. (University of Hawaii);  
M.A. (University of Arizona)  
*Field of Specialization: Social Work*

Robert Lee Sammons, Dayton  
B.S. (Maryville College)  
*Field of Specialization: Social Work*

Cindy Miller Schifer, Galion  
B.S.Soc.Wel.  
*Field of Specialization: Social Work*

Virginia Ann Scott, Cincinnati  
B.A. (University of Cincinnati)  
*Field of Specialization: Social Work*

Mary Mitrousis Searles, Fairborn  
B.A. (Wright State University)  
*Field of Specialization: Social Work*

Darlene Grainger Sears, Centerville  
A.B. (University of Michigan)  
*Field of Specialization: Social Work*

Nina Simka Segal, Cincinnati  
B.A. (University of Florida)  
*Field of Specialization: Social Work*

Sandra Schrier Stephenson,  
Columbus  
B.S.Soc.Wel.  
*Field of Specialization: Social Work*

Catharine M. Stout, Marion  
B.S.Soc.Wel.  
*Field of Specialization: Social Work*

Nancy L. F. Trux, Columbus  
B.A.  
*Field of Specialization: Social Work*

Sandra F. Turkin, Columbus  
B.A. (Brooklyn College)  
*Field of Specialization: Social Work*

Franklyn Emerson Tyler, Columbus  
B.A.  
*Field of Specialization: Social Work*

Patricia Bilik Walden, Coshocton  
A.B. (Western Kentucky University)  
*Field of Specialization: Social Work*

Phyllis Wasserstrom, Columbus  
A.B. (Marshall University)  
*Field of Specialization: Social Work*

Susan Lee Weaver, Columbus  
B.A.  
*Field of Specialization: Social Work*

Stephen D. White, Dayton  
B.A. (Wright State University)  
*Field of Specialization: Social Work*

Robert Stephen Zeman, Columbus  
B.A. (Saint Louis University)  
*Field of Specialization: Social Work*

Peter I. Zembaty, Jr., Buffalo, N. Y.  
B.S. (State University of New York  
at Buffalo)  
*Field of Specialization: Social Work*

Page 540 Blank

## Colleges of the Arts and Sciences

Chairman, Coordinating Council of Deans: Colin B. B. Bull  
Vice Provost for the Arts and Sciences: Thomas A. Willke

The Colleges of the Arts and Sciences, a federation of five colleges, includes:

### College of The Arts

Dean: Lee Rigsby

### College of Biological Sciences

Dean: Richard Bohning

### College of Humanities

Dean: Arthur E. Adams

### College of Mathematics and Physical Sciences

Dean: Colin B. B. Bull

### College of Social and Behavioral Sciences

Dean: Edward C. McDonagh

## College of the Arts

Dean: Lee Rigsby

### Bachelor of Arts

Twenty-three candidates

Anker Memory Bell, Fairport Harbor  
Pamela Diane Conley, Columbus  
Byron William Gifford, Sylvania  
Harvey Saul Goodman,  
North Caldwell, N. J.  
Carl David Grosshandler, Zanesville  
Jacque Lynn Harper, Coshocton  
B.F.A.  
Jane Noel Kimmel, Columbus  
Paula Anne Kleshinski, Mansfield  
Robert Marvin Knotts, Columbus  
Renata Milena Krizova,  
Prague, Czechoslovakia  
George Kaspar Kronenberger,  
Columbus  
Mark Landsman, Columbus  
Cornelia Marcum, Marion  
Debra Meeker, Columbus  
Jerry Eugene Morgan, Columbus  
Thomas Alan Rogers, Willoughby  
\* Terrence Hugh Scullin, Hubbard  
Corinna Pakenham Smith,  
Oreland, Pa.

Laurie Louise Sutherland,  
Martins Ferry  
Christine Louise Utley,  
Richmond Heights  
Louis McBane Vehslage, Columbus  
Debra Ann Whitfield, Columbus  
Brooks Gordon Young, Portsmouth

### Bachelor of Fine Arts

Sixty-two candidates

James Allen Anderson, Painesville  
Victoria Elizabeth Angel,  
Worthington  
Annette Maria Argue, Kettering  
Donna Lynn Ault, Heath  
Denise Lydia Barfield, Sidney  
Joan Bassett Betley, Columbus  
Constance Ambazis Betz, Columbus  
Jennifer Lee Blackmore, Westerville  
Cinda Kay Boyer, Columbus  
Daniel Myrle Boyle, Columbus  
Ruth Anne Buckley,  
Cherry Creek, N. Y.  
Lloyd Michael Capotosta, Columbus  
Shelley Ann Clark, Columbus  
Olivia Miriam Corson, Columbus  
Carla Lee Curti, Cincinnati  
June Ellen DeCamp, Columbus Grove  
Paul Eugene DeLong, Marion  
Leigh Carolyn Denham, Columbus  
† Diana Domoracki, Solon  
Sandra Ann Dunn, Columbus  
Thomas Vernon Edmonds, Richfield  
Judith Amelia Field, Westport, Conn.  
Nina Jo Harbage, Columbus  
Elisabeth Anne Haueter, Chardon  
Kathleen Hayes, Willowick  
Cynthia B. Haynes, Cincinnati  
Jo Anne Head, Columbus  
Virginia Sonneborn Howlett,  
Purdys, N. Y.  
Vicki Ellen Huber, Beachwood  
Constance Ann Irons, Dayton  
Carolyn Sue Johnson, Marietta  
Janice Ann Julian, Columbus  
Mary Elizabeth Kroeger, Youngstown  
Elizabeth Mary Langford, Dayton  
Martha Deena Levy, Philadelphia, Pa.  
Brian Keith Linke, Ashland  
Jean Alice Martin, Reynoldsburg  
Cynthia Ann Matoian, Waukegan, Ill.  
Nikki Lynn Mazer, Bexley  
Rosanne Patrice McCann,  
Port Clinton  
Janice Miriam McQuere, Columbus  
James Richard Pauff, Lima

Cheryl Beth Peterson, Columbus  
Leroy Pettis, Elyria  
Kenneth Richard Pfeifer, Columbus  
Barbara Lee Platz, Poland  
Anne Conant Rogers, Hillsboro  
Kristi Cross Sannes,  
Washington C. H.  
Kerry Stuart Schuss, Columbus  
Bonnie George Scranton, Columbus  
\* Terrence Hugh Scullin, Hubbard  
Margaret Ann Shaner, Columbus  
Charles Albert Simonds, Columbus  
Glenn Edwin Skinner, II, Springfield  
Marjorie Ann Smith, Cuyahoga Falls  
Duglis Calvin Souders, Fostoria  
Gary Lee Strawn, Mansfield  
John Brian Sullivan, Lakewood  
Stephen Jay Titus, Portsmouth  
Susan Lynne Workman, Danville  
Linda Jane Yoder, Columbus  
Rosalyn Lee Zimpfer, Westerville

### Bachelor of Music

Twenty-one candidates

John Kim Bell, Columbus  
James Peables Cushman, Columbus  
Nelson Owen Harper, Columbus  
George Edward Hoeffinger, Hilliard  
Kent Leone Hoiles, Bradner  
† Jane Ellen Hurst, Columbus  
Bonnie M. Long, Middletown  
Mark Foster McLeod, Columbus  
Karen Smith Meiring, Columbus  
Mollie O'Meara Owen, Grove City  
B.S.Ed. (Rio Grande College)  
Peter Kevin Parkinson, Worthington  
Samuel Stone Peebles, Portsmouth  
Terese Marie Prasnick,  
Warrensburg Heights  
James David Selby, Columbus  
Mark Wasmund Sopp, Columbus  
Reid Bowler Stetson, Columbus  
† James Lawrence Turk,  
Indianapolis, Ind.  
Marilou Vetter, Portsmouth  
Ellen Jane Wetherbee, Columbus  
Joan Frances Wingert, Springfield  
Miranda Yee, Columbus

\* Also Bachelor of Fine Arts,  
Colleges of the Arts and Sciences  
† Also Bachelor of Science in Education,  
College of Education  
‡ Also Bachelor of Arts, Colleges of the  
Arts and Sciences  
§ Also Bachelor of Music Education,  
College of Education

**Bachelor of Art Education  
Offered jointly by the  
College of The Arts and the  
College of Education**

**Bachelor of Art Education**

Twenty-four candidates

Susan Louise Armes, Columbus  
B.F.A.  
Donna LaBarre Burt, Columbus  
Mary Waite Capretta, Columbus  
Ramona Maynard Casparro,  
Columbus  
Edward Loren Eldridge, Crestline  
Helayne Susan Goldstein,  
Matawan, N. J.  
Jodi Lynn Handler, Dayton  
Jill Annette Maedel, Toledo  
Jo Christine Marden, Piqua  
Nina McDaid, Medina  
Catherine Miller, Anchorage, Ky.  
Gary Ralph Molnar, Maumee  
Bonnie Sue Nessonbaum, Cincinnati  
Kimberly Jo Nixon, Alliance  
Laura Suzette Raub, Olmsted Falls  
Stephanie Hanaway Robson, Columbus  
Charlene Marguerite Roehm,  
Columbus  
B.A. (Ohio Wesleyan University)  
Connie Meeker Schallinske, Columbus  
Suzanne Marie Schmidt, Swanton  
Lita Hasselo Smith, Columbus  
Lynn Louise Tabacchi, Adena  
Susan Fromm Tan, Columbus  
Teresa Ann Tata, Columbus  
Gregory Frederick Walton, Columbus

**Bachelor of Music Education  
Offered jointly by the  
College of The Arts and the  
College of Education**

**Bachelor of Music Education**

Forty-four candidates

Robert Michael Anzalone, Parma  
Linda Kay Bloom, Oak Harbor  
James David Bock, Cambridge  
Kenneth Alan Brenner, Akron  
James Robert Bundy, Coshocton  
Mark Alan Congrove, Grove City  
Lora Lynn Conner, Charleston, W. Va.  
Donna Lee Crumley, Lancaster  
Howard Scott Curfman, Columbus

Lee Roi Ensminger, Hilliard  
Deborah Sue Flower, Kenton  
Jean Travis Foster, Mt. Vernon  
Jeffrey Dale Hamm, Heath  
Jacquelyn Sue Hiland, Columbus  
Thomas Allen Hill, Columbus  
\*Jane Ellen Hurst, Columbus  
Cynthia Louise Jackson, Cleveland  
Thomas Michael Jacobs, Minster  
Sandra Hanselman Jones, Georgetown  
Sue Ellen Kolodzik, Columbus  
Marenda Sue Laner, East Palestine  
Nancy Jane Lewis, Columbus  
Paula Kay Macioce, Columbus  
Dorene Grace Marsh, Cleveland  
David Ernest Matchinga, London  
Robert Eugene Miller, Springfield  
James Robert Murphy, Lancaster  
Phoebe I. Parker, Columbus  
Stephen Dale Powell, Grove City  
Jean Guenther Ringe, Columbus  
James Wallace Rogers, Columbus  
David Allen Shaffer, Grove City  
Beth Ilene Silverman, Yellow Springs  
James Charles Snedeker, Canton  
Joyce Ann Sprague, Columbus  
Karen Elaine Stumpf, Columbus  
\*James Lawrence Turk,  
Indianapolis, Ind.  
Sandra Leigh Underwood, Portsmouth  
Barbara Ann Velikaz, Brooklyn  
Dan Eric Whims, Pickerington  
William Richard Williams,  
Wilmington  
Cynthia Miller Wilson, Columbus  
Cert.Grad.Dent.Hyg.  
Tammie Sue Wiltshire, New Carlisle  
Beth Ann Workmaster, Groveport

**Bachelor of Science in Industrial Design**

Thirty-two candidates

Virginia Smith Baldi, Columbus  
Dorothy Kay Bessey, Cincinnati  
David Brent Chaney, Ashtabula  
Stanley Mauk Corl, Jr., Columbus  
Clyde Joseph Diamond, Delaware  
Bohdan John Dmytryk, Parma  
Thomas Leslie Eswine, Columbus  
Scott Harvey Goddard, Ashtabula  
Donald William Hallum, Brook Park  
Paul Terrence Haninger, Gahanna  
Christopher Edward Hatch, Columbus  
Marsha Marie Hill, Stow  
Daniel Francis Hoy, Columbus  
John Joseph Jenson, Parma

Lee Hogan Kingston, Temple, Tex.  
Steven Michael Kistler, Vandalia  
Robert Jay Koenigsberg,  
Long Beach, N. Y.  
Michael Kosonovich, Jr., Orient  
Bruce Edwin Leuthold, Bucyrus  
Robert A. McMurray, III, Columbus  
Richard Alan Mills, Englewood  
Gerald Glen Nummi, Painesville  
Catherine Ann Schmeltz,  
Bowling Green  
Richard Edward Soulen, Columbus  
Karen Nilsen Stahl, Columbus  
Linda Susan Staub, Dayton  
Joseph Andrew Tatusko, Gahanna  
Judy Ann Tenenbaum,  
Huntington, N. Y.  
Roger Harold Thomas, Rootstown  
Jeffrey Lynn Waggoner, Brookville  
Mark Allen Will, Columbus  
Gregory Gray Williams, Columbus

**College of Biological Sciences**

Dean: Richard Bohning

**Bachelor of Arts**

Thirty-nine candidates

Susanna Anda, Poland  
Richard Frank Andolina,  
Wellsville, N. Y.  
† Edward George Babits, Jr.,  
Cleveland  
Gary Allen Barker, Cadiz  
Stephen Patrick Bolduc, Fairborn  
David James Collins, Chagrin Falls  
Dennis Allen Conrad, Gibsonburg  
Robert Humbert DaPrato, Celina  
B.S.  
Richard James Davis,  
New Philadelphia  
Michael Carlos Diaz, Defiance  
David Ned Dunbar, Defiance  
Randy Mark Feldman, Toledo  
Jack Robert Fry, Gibsonburg  
John William Grenier, Worthington  
Arnold Marc Hertz, Baldwin, N. Y.  
B.S.  
John Joseph Kaib, Elyria

\* Also Bachelor of Music, Colleges of the  
Arts and Sciences  
† Also Certificate of Graduate Dental  
Hygienist, College of Dentistry

Frank Joseph Koch, Sandusky  
 James Alexander Kruse,  
 North Ridgeville  
 Deborah Ann Kurtz, Encino, Calif.  
 Susan Ann Levesque, Cuyahoga, Falls  
 Robert Burton Little, Logan  
 Randall Craig Mathews, Athens  
 Rimas Jonas Maurukas, Elyria  
 Kim Richard Nicola, Columbus  
 Linda Sand Nightingale, Marion  
 Raymond Marion Pongonis, Columbus  
 Warren Lee Robbins, Worthington  
 Gary Michael Rosenmutter,  
 Chicago, Ill.  
 Jeffrey Steven Sams, Fairview Park  
 Stephen Charles Schreck, Hilliard  
 Lawrence William Serif, Columbus  
 Stephen Mark Shall, Toledo  
 James Robert Shire, Wintersville  
 Vincent Robert Smith,  
 Columbia Station  
 B.S.  
 Shawn Scott Stewart, Cuyahoga Falls  
 Kevin Christopher Strait, Ashland  
 Mark Alan Straka, Elyria  
 Thomas Delroy Vikre, Worthington  
 Timothy Ray Wright, Norton

#### Bachelor of Science

One hundred and ninety-five candidates

Donald Stanley Amdur,  
 University Heights  
 Ralph Joseph Anders, Westlake  
 Donald William Anderson,  
 Pittsburgh, Pa.  
 Harold Lee Anderson, Jr.,  
 Norfolk, Va.  
 Robert Gordon Anderson, Xenia  
 Mitchell Bruce Andryc, Toledo  
 Robert Stephen Asch, Lorain  
 Dennis Carl Balduff, Toledo  
 Michael Holmes Barden,  
 Cleveland Heights  
 Sharon Lynn Barnes, Columbus  
 Robert Thomas Bencez, Wilmington  
 Leo Leon Bennett, Northfield  
 Constance Ann Benson, Columbus  
 Roy Lee Bieber, Boardman  
 Mary Ann Bigi, Thornville  
 Timothy Doak Birthisel, Perrysburg  
 Laurence Harmon Blauvelt,  
 Hicksville, N. Y.  
 David Allen Blissenbach, Canfield  
 John Edward Bohl, Columbus  
 Charlotte Anna Myra Borchers,  
 Columbus  
 Vlaiuc Alin Botoman, Columbus

David William Boudouris, Sylvania  
 Betty Ann Bowlus, Centerville  
 Suzanne Louise Bowyer, Toledo  
 James Robert Brady, North Ridgeville  
 A.B. (West Virginia University)  
 Stephen Craig Brewer, Versailles  
 George Bryan Brinzea, Canton  
 Judith Marie Broadstone, Brookville  
 Robert James Brocker, Jr., Canfield  
 Lawrence Richard Brown,  
 University Heights  
 Kenneth Allen Bulen, Enon  
 Douglas Luther Burchett,  
 North Bloomfield  
 Donald Lee Burton, Loveland  
 Patricia Shilling Camana, Kettering  
 William Harold Cardwell, Jr.,  
 Uniontown  
 Allen Dean Carnes, Columbus  
 Charles Patrick Cato, III, Fairborn  
 John Louis Clark, Louisville  
 George Thomas Clouse, Columbus  
 Timothy Bryan Cox, Barberton  
 Joseph Floyd Cramer, Columbus  
 Gary Joseph Crapanzano, Akron  
 Diane Louise Crosthwaite,  
 West Chester  
 Barbara Diane Crow, Pittsburgh, Pa.  
 Richard Eugene Crowell, Defiance  
 Jeffrey Joseph Cunningham,  
 Cincinnati  
 Joseph Michael Dagati, Girard  
 Joseph Angelo D'Amico, Kettering  
 Peter Charles Dandalides, Chardon  
 Kevin Michael Davis, Centerville  
 James Leigh Dickinson, Martins Ferry  
 William Rufus Doran, APO, N. Y.  
 Betsy Lynne Dresser, Cincinnati  
 Elizabeth Vesna Dubravcic, Akron  
 Mira Edgerton, Strongsville  
 David Paul Facklam, Snyder, N. Y.  
 Judith Falloon, Silver Springs, Md.  
 Philip Joseph Fay, Rochester, N. Y.  
 Michael Joseph Felter, Shelby  
 Thomas Edward Ferguson, Columbus  
 Nancy Meta Fertitta,  
 New York, N. Y.  
 Randy Charles Finzer, Canton  
 Daniel James Fitz, Worthington  
 Ann Frankovich, Cuyahoga Falls  
 Imanta Edward Freimanis, Columbus  
 Zoe Louise Frost, Columbus  
 Robert Anthony Gall, Mantua  
 John Charles Gilbert, Columbus  
 Thomas Alan Glasser, Ashland  
 Susan Kay Hambleton, Canton  
 Douglas Frank Hamilton, Hamilton  
 Dean Mikal Harless, Worthington  
 Ernest Paul Heller, Northfield

Rebecca Moeller Herb, Fairborn  
 Charles Lynn Heskett, Jr., Bethesda  
 Barbara Bentley Hilty, Carey  
 Waldo Himeinstein, Irvington, N. J.  
 John Len Hines, Ashville  
 Thomas Marshall Holmes, Westlake  
 Lawrence Lowell Holt, Ironton  
 Robert Theodore Horstman,  
 Cloverdale  
 Michael Carl Huber, Ashland  
 Lee David Imhof, Hiram  
 Timothy Howard Istock, Norwood  
 Rebecca Dorothy Jackson, Columbus  
 Deborah Elizabeth Johnston,  
 Middleburg Heights  
 Debbie Ann Juruaz, Youngstown  
 Margot Kaebling,  
 Uim, West Germany  
 Owen Michael Kane, Syracuse, N. Y.  
 Michael Kareem Karim, Cleveland  
 Thomas Harry Keenan, Gallipolis  
 Phillip John Keipper, Portsmouth  
 Barbara Lynn Kellar, Barberton  
 Thomas Vincent Kelly, Jr.,  
 Long Island, N. Y.  
 Gregory Alan Kidwell, Hillsboro  
 Thomas Andrew Kiefer, Coshocton  
 David George Kile, Kirtland  
 Eugene Louis Klark, Jamestown, N. Y.  
 Michael Peter Kostiuik, Elyria  
 Kenneth Oren Kyger, Gallipolis  
 Timothy Virgil Kyger, Gallipolis  
 Thomas Edward Lammertse, Akron  
 Brenda Lynn Lamontagne, Galion  
 Martha Eileen Mills Langhirt,  
 Columbus  
 Margaret Mary Larner, Parma  
 Thomas William Lawson, Whitehall  
 Mei-Ting Lee, Cleveland  
 Carl Erskine Lewis, Cincinnati  
 Richard Charles Lewis, North Canton  
 William Robert Lippert, Toronto  
 Gregory Ronald Lobas, Strongsville  
 Edward Cecil Maher, Jr.,  
 Cuyahoga Falls  
 Ira Brent Mandell, Columbus  
 Robert Angelo Mascia, Fairfield, Conn.  
 Ricky Jon Mathes, Cincinnati  
 Kathleen Louise Mathews, Galion  
 Joseph Stephen McCracken, Dayton  
 Brian David McSherry, Kettering  
 Linda Medleau, Cleveland Heights  
 Dennis Ralph Meyers, Lorain

† Also Certificate of Graduate Dental Hygienist, College of Dentistry

Alan David Milano,  
Rochester, N. Y.  
Robert Eric Miller, Chillicothe  
William Stephen Modi,  
Wilmington, Del.  
Craig Joseph Mohnacky, Parma  
Patrick Timothy Moore, Cincinnati  
Trenese Rene Mullins, Lucasville  
Edward Charles Murphy, Columbus  
Robert Bruce Nathan,  
Franklin Sq., N. Y.  
Mary Louise Nauman, Kettering  
William Llewellyn Newberry,  
New Boston  
Nancy Ann Nickels, Euclid  
Judith Ann Novak, Rome  
Barbara Gay O'Keefe, Urbana  
Joseph Mark Packard,  
Greenville, N. H.  
Dennis Girard Pankievich,  
North Adams, Mass.  
John Chester Pelc,  
West Chester, Pa.  
Thomas Martin Petro, Campbell  
Mark Eugene Pfieger, Worthington  
Rondi Piquette, Akron  
Mark Raymond Pitstick, Columbus  
Stephen Greene Priest, Dayton  
B.A. (Washington and Lee  
University)  
Barbara Gail Pulford, Chagrin Falls  
Jose Antonio Ramirez, Columbus  
Timothy Michael Reddy, Cincinnati  
Charles William Redmond, Grove City  
Dean Thomas Reed, Upper Sandusky  
William Michael Reed, Columbus  
Janelle Ritchie, Cridersville  
James Paul Ritter, Columbus  
Franklin Morris Rizer, Pomeroy  
Nicholas Steve Roulakis, Campbell  
Anne Marie Rutkoski, Tallmadge  
Robert Eugene Sandy,  
Columbus Grove  
George Clyde Satterfield,  
Northuntington, Pa.  
Michael Jay Schaller, Chillicothe  
Henry L. Schlesinger,  
New York, N. Y.  
Gary Michael Schniegenberg,  
Garfield Heights  
Kathleen Ann Schroeder, Parma  
Robert S. Seiple, Jr., Columbus  
Wesley Earl Shankland, II, Lima  
Thomas Allen Sherwood,  
Arlington, Va.  
Mark Timothy Shue, Akron  
Marvin David Sigal, Columbus  
Lee Thomas Simon, East Palestine  
Ross Michael Simon, Parma

Stephen Robert Singer, Reading  
Jack Morgan Sipple, Cleveland  
Alan H. Smith, Sandusky  
Jeremy Owen Smith, Columbus  
Marc Alan Smith, Columbus  
Randall Dean Snodgrass, Columbus  
B.A.  
John Henry Sorg, Columbus  
Stephen Richard Spencer, Cincinnati  
Robert Johnson Sprouse, Columbus  
Steven Michael Steinberg, Toledo  
Fran Ellen Sterling, Flushing, N. Y.  
James Richard Strasser, Cincinnati  
Paul Eugene Swaney, Burton  
Susanne Jane Tepe, Norwood  
Terrence Vincent Thomas, Campbell  
Jean Borcherding Tomlinson,  
Hampton, Ia.  
Gary Louis Unterbrink, Van Wert  
Elaine Jeanette Vennekotter, Ottawa  
Raymond Scott Wagner,  
Garfield Heights  
Melissa Louise Weaver, Fremont  
Robert Mark Webb, Marion  
David Raymond Weihrauch,  
Kettering  
Richard Gordon Wells, McArthur  
Kathleen Suzanne Wilkins, Sandusky  
Judith Ann Winhoven, Toledo  
Christopher Link Wintzer,  
Wapakoneta  
Daniel Lee Woods, Moraine  
Todd Neil Wurschmidt, Plain City  
Steven Joseph Znosko, Alliance  
Thomas Joel Zupancic,  
Cleveland Heights

## College of Humanities

Dean: Arthur E. Adams

### Bachelor of Arts

Two hundred and two candidates

Philip Lawrence Abicht, Zanesville  
Anita Josephine Abruzzi, Warren  
Jon Sherred Adams, Clyde  
Sarah Joanne Alexander, Xenia  
Abba Elizabeth Altman, Columbus  
Mary Beth Archer, Columbus  
† Alexandra Armstrong,  
Cleveland Heights  
Martin Dennis Arnoldine,  
Hancock, N. Y.

Edward Michael Babeck, Chardon  
Hans Rudolph Bachmann, Jr., Galion  
Arthur Lawrence Backman,  
Merrick, N. Y.  
† Anne Good Banta, Lewisberg  
Virginia Noel Barclay,  
Commack, N. Y.  
Lawrence James Bartlett,  
Skokie, Ill.  
William Francis Bartuccio,  
North Olmsted  
Deborah Lynn Behnke, Willoughby  
David Luis Fernando Benson,  
Mansfield  
Ellen Thomas Berry,  
Columbus  
David Paul Bertsch, Akron  
Nicholas Stephen Blank,  
Cleveland Heights  
Barbara Angela Blevins, Columbus  
Teri Lou Bollinger, Columbus  
Kenneth Eugene Borah, Jr., Orrville  
Janet Louise Born, Akron  
Douglas Micheal Brill, Avon Lake  
Charles Savoca Brown,  
Richmond Heights  
Susannah Brock Brubaker,  
Washington C. H.  
James Franklin Calland, Columbus  
Alan Craig Campbell, Cleveland  
Philip Dale Carter, Dayton  
Patricia Chajavec, Toledo  
Lani Jill Challburg, Pittsburgh, Pa.  
Vicki Jean Childress, Marysville  
Kathy Ann Albin Christman,  
Parma Heights  
Zuni Alonso Ciardelli, Columbus  
John Robert Cicillian, Ashland  
Michael Craig Clapham, Worthington  
Douglas Lee Clarke, Worthington  
Christine Ann Clowe, Carroll  
Katrina Johnson Conway,  
Canal Winchester  
† Carol Ferguson Cooper,  
Shaker Heights  
A.A. (Kendall College)  
Judith Cope, Columbus  
Jeffery Lee Cox, Columbus  
John Scott Crooks, Columbus  
Howard Ira Cunix, Columbus  
Larry John D'Amico, Medina  
William Charles Darrah, Gahanna  
\* Marguerite Ann Daugherty,  
Columbus

† Also Certificate of Graduate Dental  
Hygienist, College of Dentistry  
\* Also Bachelor of Science in Education,  
College of Education



Estelle Louise Davidson, Dayton  
 Suzanne Rita Davidson, Westlake  
 Mary Alice DeBrosse, Coldwater  
 Charles William DeMarco, Conneaut  
 Darlyn Lavaughn Derthick,  
 Cincinnati  
 Nancy Carol DeWandel, Fairborn  
 Henry Michael DiCarlo, Massillon  
 David Elmer Dick, Columbus  
 Judith Friedman Dietz,  
 Shaker Heights  
 Ellen Rita Dompf, Dayton  
 Jeanne Mabel Dotson, Cincinnati  
 Denise Downs, Maxwell AFB, Ala.  
 B.S.Ed.  
 Carol Ann Workman Eberhart,  
 Columbus  
 † Anne Dawson Eginton, Akron  
 Arthur William Ehlert, Columbus  
 Dennis Alan Fair, Columbus  
 Jo Anne Fannin, Willoughby  
 Ben Paul Fireman, Columbus  
 Timothy Carl Fisher, Medina  
 Sally Lynn Fleischer, Raritan, N. J.  
 Alan Joseph Frankel, Circleville  
 James Joseph Frasca, Cincinnati  
 Alan Stewart Frederick, Northfield  
 Frank Gerard Gallina, Cincinnati  
 Marianne Sue Gibson, Westerville  
 Eren Ayse Giray, Worthington  
 Robert Kahn Glatter, Oceanside, N. Y.  
 Michael Winfred Goins,  
 Mt. Airy, N. C.  
 Connie Elaine Green, Portsmouth  
 Jeffrey Arthur Griesheimer,  
 Londonderry  
 Roger Earl Grossnickle, Chillicothe  
 Matthew Joseph Gruber, Columbus  
 Gail Guttman, Nashville, Tenn.  
 Deborah Anne Hamill, Columbus  
 Stephen David Hamilton, Fairborn  
 Robert Howard Harris,  
 Shaker Heights  
 Brenda Laurette Harrison, Richwood  
 † Deborah Lee Hassler, Cincinnati  
 Bobby Dean Hill, Columbus  
 Carol Diane Hollern, Columbus  
 Yolanda Angelica Holliday, Columbus  
 Cathy Lynn Holloway, Bowling Green  
 Deborah Jo Husted, Columbus  
 Steven Lynn Jackson, Lima  
 Henry Owen Jacoby, Lorain  
 Anita Lanette Jones, Chardon  
 Merilyn Lea Kampe, Columbus  
 Howard Raymond Kelley, Gates Mills  
 Patricia Ann Kelly, Parma Heights  
 Arlene Kiefer, Cleveland Heights  
 Joan Terese Kilpatrick, Columbus  
 Victoria Jane Rogers King, Mansfield

† Mary Melinda Kirsch, Brookfield  
 Michael Robert Klabunde,  
 North Olmsted  
 Timothy Burr Kohli, Lima  
 Karen Dorothy Krause,  
 Parma Heights  
 Susan Mary Kuzma, Seven Hills  
 Richard Stuart Lapine, Cleveland  
 Thomas Lynn Lareau, Columbus  
 Elizabeth Cawley Lavender,  
 Westerville  
 William Curry Lodge, Columbiana  
 \* Jonalyn Ellen Loughner, Lakewood  
 Herbert Layton Lynskey, Columbus  
 Mary Elizabeth Manton, Bryan  
 Daniel Thomas Marshall, Amlin  
 David Bruce Martin, Canal Fulton  
 Karen Lucille Martin, Columbus  
 Robert George McCullough, Columbus  
 Debra Russell McIntosh, Columbus  
 Robert Joseph Melvin, Columbus  
 Rosalind Mary Mercier, Columbus  
 Elizabeth Ann Meyers, Pickerington  
 Jann Myers Miller, Georgetown  
 Mindy Jo Mindlin, Bexley  
 Loran Lee Miracle, II, Lima  
 Ira Joel Mirkin, Youngstown  
 Sheila Elizabeth Monahan, Huron  
 Michael Scott Morgenstern, Hamilton  
 \* Diana Jeanne Nelson, Solon  
 † Carol Louise Niehaus, Milford  
 Mark Dean Nisbet, Columbus  
 Kenneth Earl Nist, East Liverpool  
 \* Sheryl Elaine Nourse, Minford  
 Stephen Alex O'Driscoll,  
 Cincinnati  
 Susan Olimpio, South Plainfield, N. J.  
 Yvonne Lewis Over, Akron  
 Mark William Parker,  
 Eglin AFB, Fla.  
 \* Senay Vecihe Pasinler, Columbus  
 Gregory Allen Paxton, Columbus  
 John James Pendergast, Columbus  
 B.S.Ed.  
 Gail Marie Pevzner, Warren  
 Gregory Francis Platten, Lakewood  
 Diana Powell, Thornville  
 Mark Reed Price, Fredericktown  
 Alphonzo Prude, Toledo  
 Philip Carroll Pyle, Worthington  
 Benjamin Dudley Radcliff, Circleville  
 Paul Richard Razor, Columbus  
 Shirley Frances Redpath, Willard  
 Barbara Ann Renner, Irwin  
 Mary Ann Renner, Youngstown  
 Cheryl Jan Resnick,  
 Cleveland Heights  
 Frank Blaine Reynolds, Columbus

Anita Helen Rimmer, Columbus  
 Steven Paul Roenker, Cincinnati  
 Rod Michael Rogge, Dayton  
 Robert James Rosenstein,  
 University Heights  
 Richard Wayne Ross, West Lafayette  
 Joel Seth Rubin, Canton  
 Alice Irene Ruddy, Columbus  
 Brian Bliss Russell, Hilliard  
 Patricia Anne Ryan, Meadville, Pa.  
 Mark Howard Saffran,  
 Franklin Sq., N. Y.  
 Wolfram Earl Samlowski, Columbus  
 Bruce Frank Saum, Cincinnati  
 Douglas Leonard Sayre, Cincinnati  
 Joseph Francis Schweitzer, Columbus  
 Stephen James Scott, Springfield  
 Nancy Pryor Seibert, Columbus  
 Kathleen Elizabeth Shear, Bay Village  
 Cecilia Alexander Silva, Columbus  
 † Debra Lynn Sklenar, Columbus  
 Kenneth Paul Smith, Mansfield  
 Thomas Eric Spellerberg, Tiffin  
 † Karon Lee Spring, New Philadelphia  
 Barbara J. Stautzenbach, Columbus  
 Rochelle Fatt Steinberg, Granville  
 Cornelius Wesley Stone, Cleveland  
 Marilynn Roseberry Stuart, Columbus  
 Douglas Paul Svik, Canton  
 Deborah Anne Terapak, Bexley  
 John Mackay Tingley, Columbus  
 Rick Linn Tope, Loudonville  
 † Deborah Louise Townsend, Canton  
 Dennis Francis Traczykowski,  
 Kearny, N. J.  
 Patrick Eugene Visel, Chardon  
 Michelle Ward, Mt. Vernon  
 Deborah Ann Watson, Columbus  
 Craig Ken Weatherington, Columbus  
 Rick Charles Weiser, Heath  
 Daniel William Westenburg,  
 Ashtabula  
 Louanne White, Columbus  
 Audrey Mitchell Wick, Worthington  
 Carolynne Wieteki, Ironton  
 Walter James Wildermuth, Bryan  
 Elena Arana Williams,  
 San Sebastian, Spain  
 Mary Alice Wilmot, Akron  
 Anne Marie Wilson, Columbus  
 Richard Peter Wirth, Dayton  
 Margaret Katharine Wood,  
 Washington C. H.  
 Joanna Hart Yoerger,  
 Montreal, Que., Canada

† Also Certificate of Graduate Dental  
 Hygienist, College of Dentistry  
 \* Also Bachelor of Science in Education,  
 College of Education

Jeffrey Martin Young,  
Bloomfield, N. J.  
Lana Ann Zabko, Solon  
Brian Charles Zolo, Newark

## College of Mathematics and Physical Sciences

Dean: Colin B. B. Bull

### Bachelor of Arts

Fourteen candidates

Jonathan Charles Carlson, Avon Lake  
James Michael Ferguson,  
East Liverpool  
Michelle Marie Fisher, Barberton  
Douglas Jay Frost, Bethel  
Bruce Dale Goodman, Groveport  
Richard Avery Lee, Novelty  
Thomas Allan McCarty, North Lima  
Bryce David Morgan,  
North Olmsted  
Kathy Elizabeth Paul, Lima  
\* Roger Kenneth Quillen,  
Newcomerstown  
Faith Elaine Rutledge, Carrollton  
Louise Ellen Sidner, Grove City  
Ronald Craig Sprinkle, Columbus  
Kenneth Thompson Stroble,  
Youngstown

### Bachelor of Science

Sixty-eight candidates

Deborah Lynne Albertson, Brookville  
Richard Arquilla, Youngstown  
Michael Frank Baumer, Anna  
Paula Kay Belcastro, Columbus  
Michael Kevin Burgoon, Columbus  
John England Catlin,  
Falls Church, Va.  
Joseph Charles Ceddia, Cincinnati  
William Allan Clapper, Jr.,  
Willoughby  
Paul David Clymer, Westerville  
Joel Mark Cohen, Columbus  
Curtis Lee Crow, Findlay  
Michael Alan Drodofsky, Richwood  
Robert Kern Duncan, Jr., Dayton  
B.S.C.I.S.

Thomas Spicer Eichelberger,  
Cincinnati  
Larry Robert Eyberger,  
Mingo Junction  
Robert William Frederick, Westerville  
Harry Robert Gilbert, Uniontown  
Gale Ellen Grabowski, Detroit, Mich.  
Donald Steven Grashel, Fostoria  
Phyllis Mae Grimm, Holgate  
Robert Alan Guzzo, Columbus  
Calvin Harmon, St. Marys  
Robert Lee Hawkins, McDonald  
John David Henberger, East Canton  
Dennis John Hlasta, Youngstown  
William Henry Jeppe,  
West Warwick, R. I.  
Lynn Ann Keiger, Greenhills  
Robert Daniel Keller, Columbus  
Carol Ann Larrimer, Columbus  
Margaret Ann Lauderdale,  
Chevy Chase, Md.  
William Frank Lawrence, Jr., Canton  
Walter Bryant Marvin, Rock Creek  
William Howard McAlister,  
Ashland, Ky.  
Arlene Rita McCoy, Pawtucket, R. I.  
Charles Emerson Mitchell, Lebanon  
Timothy Isaac Moore, Wilmington  
Janet Lynn O'Brien, Columbus  
Andrew Michael O'Connor,  
Willoughby Hills  
Gregory Alan Olson, Northville  
Charles Edwin Orcena, Marion  
B.A.  
Linda Pifer Paul, Ashland  
Edward Richard Percy, Jr., Whitehall  
Michael Allen Piscitello, Cleveland  
Kurt Christian Proegler, Mentor  
Joseph Fredrick Pursel, Archbold  
Samuel Leo Reiss, South Euclid  
Nancy Carol Ress, Cleveland Heights  
David Daniel Rowlands, Worthington  
Brian Robert Scalley, Cleveland  
Scott Charles Schlegel, Mansfield  
Douglas Edward Schleifer,  
Worthington  
Mary Ellen Scott, Dayton  
Harlan Bennet Sexton,  
Garden City, N. Y.  
Gary Alan Shulman, South Euclid  
Bernard Scott Silverman, Akron  
Kenneth David Singer, South Euclid  
Peter Russell Sorem, Penfield, N. Y.  
James Sosnowchik, Twinsburg  
Jane Diane Souder, North Olmsted  
Mark Joseph Stechschulte, Ottawa  
James Charles Stir, Springfield  
Harold Richard Suiter, Hillsboro

Mike Edwin Throckmorton,  
West Carrollton  
John Eldon Toth, Bedford  
Philip Harold Wallace, Van Wert  
Curtis Michael Welty, Nevada  
Jennifer Lou Wickliff, Columbus  
Bruce Alan Yanoshek, Columbus

## College of Social and Behavioral Sciences

Dean: Edward C. McDonagh

### Bachelor of Arts

Three hundred and eighty-two candidates

Michael George Aber, Cleveland  
Roslyn Beth Albert, Canton  
Mary Drew Allman, Mt. Vernon  
Susan Elisa Alvarado,  
Alexandria, Va.  
Beverly Jean Anderson, Columbus  
Mary Sue Pringle Anderson,  
Columbus  
Paul Fitch Anderson, Cincinnati  
Roberta Kay Andrews, Kettering  
James Harvey Angel, Lakewood  
Jack Evan Appleman,  
Valley Stream, N. Y.  
Thomas Edward Arcaro, Ashtabula  
Laura Mae Armstrong,  
Philadelphia, Pa.  
Peggy Lee Askew, Marion  
Keith Autrey, Massillon  
Awatif Baarma, Jeddah, Saudi Arabia  
Eric James Baker, Xenia  
Eric Richard Baker, Canal Winchester  
James Harvey Balthaser, Worthington  
Robert William Banks, Columbus  
Joseph Max Bargar, Delaware  
Barbara Lee Barker, Bowling Green  
Mary Eileen Barnes, Columbus  
Ronald Hugh Barth, Youngstown  
Ellen Sue Baruch,  
Rockville Centre, N. Y.  
Cynthia Lea Bauer, Somerville, N. J.  
Gary Lawrence Bauer, Columbus  
Linda Mai Bausman, Columbus  
William Barrett Benninger,  
Madison, N. J.

\* Also Bachelor of Science in Education,  
College of Education

Patricia Ann Beres, Rocky River  
 Bonnie Sue Bilotto, Medway  
 Mark George Bishop, Solon  
 Beth Sue Blankstein, Fair Lawn, N. J.  
 David Eugene Bloom, Wilmington  
 Thomas John Blum, Concourse, N. Y.  
 Mary Lynn Blumgren, Columbus  
 Robert Daniel Bolte, Jr., Vandalia  
 Rebecca Sue Bower,  
 Shaker Heights  
 † Kathy Virginia Brisley, Granville  
 Douglas Raymond Brookman,  
 Fayetteville, N. Y.  
 David Arthur Bruck, Columbus  
 Steven Douglas Bryan, Lima  
 Curley Bryant, Cleveland  
 Francess Theresa Budzinski,  
 Levittown, Pa.  
 Margaret Elizabeth Burkholder, Lima  
 Lillian Calhoun, Cleveland  
 Cathy Jo Campbell, Barnesville  
 Ronald Marc Canter, Philadelphia, Pa.  
 Rosemarie Carlton, Columbus  
 Ronnie Andra Carter, Columbus  
 Stanton Lawrence Charkins, Dayton  
 Margaret Ann Charleck, Mansfield  
 Wanda Teresa Cherry, Toledo  
 Michael Vernon Clementz, Ottawa  
 Rebecca Jo Clifton, Wren  
 Robert Michael Cody, Columbus  
 Anna Mae Hayden Coffman, Columbus  
 Stephen Alan Cohodas, Youngstown  
 Joshua Dean Coleman, Dayton  
 David Arthur Colley, Columbus  
 James Douglas Colner,  
 South Euclid  
 Dianne Leslie Colucci, Fairborn  
 Rodney Edward Connors,  
 Lawton, Okla.  
 Rodney Loring Cooper, Greenfield  
 Carl Denny Cooperrider, Columbus  
 James Ralph Cope, Toronto  
 Gerald Denning Courtney,  
 Canastota, N. Y.  
 Faith Lynn Cowan,  
 University Heights  
 \*Carol Buck Craven, Columbus  
 Patricia Ellen Cramer, Columbus  
 William Woodrow Crockett, Bucyrus  
 Kenneth Carlisle Crooks,  
 Pease, N. H.  
 Kateri K. Dames, Short Hills, N. J.  
 Beverly Sue Davis, Columbus  
 Carol Ann Davis, Carrollton  
 Eugene Davis, South Euclid  
 Robert Eugene DeLong, Mansfield  
 David Allen Demichael,  
 Willoughby Hills  
 Gary Edward Dickerson, Columbus

John Darrin Dietz, Coshocton  
 Therese Haines Djahanshahi,  
 Richwood  
 John William Dobson, Columbus  
 Joseph Robert Dobson, Columbus  
 Aaron Barry Donatello, Mansfield  
 James Ray Ebert, Novelty  
 Elizabeth Anne Edwards, Portsmouth  
 Julie Anna Edwards, Canton  
 Carl Gunnar Eeman, Columbus  
 Ishmael Amadike Ekeuku,  
 Omoku, Nigeria  
 Jodeen Evelyn Erfurt, Galion  
 Eric Alan Farnsworth, Cleveland  
 David Simon Feldman, Freeport  
 Karen Virginia Fife, Cincinnati  
 Joseph Robert Finley, Belpre  
 Dale Edward Fior, Yorkville  
 Dennis Arthur First, Amityville, N. Y.  
 David Joseph Fischer, Heath  
 Cynthia Ziemke Fisher, Columbus  
 Thomas Charles Fletcher, Burton  
 Curtis Ross Foe, Columbus  
 Sandra Lea Frank, Columbus  
 Olivia Denise Franklin, Cleveland  
 Gary Michael Franks, Xenia  
 Amy Claire Fraver, Miamisburg  
 Harry Thomas Friel, Brook Park  
 Michael Allen Froehlich, Columbus  
 Jerrold Howard Frumm, Skokie, Ill.  
 Deborah Blair Gagen, Evanston, Ill.  
 Vickie Sue Gages, Mansfield  
 Timothy Lee Gall, Euclid  
 Gary Dennis Gams, Dayton  
 Gary Curtis Garman, Wilmington  
 Zafer Hanna Geha, Columbus  
 Carl Frank Gehringer, Warren  
 \*\* Susan Candace Geiger,  
 Fairview Park  
 Joseph Gentilcore, Columbus  
 Richard Allan Gerberry, Youngstown  
 David John Gerbec, Cleveland  
 Thomas Henry Gerken, Logan  
 Bruce Kahn Glatter, Oceanside, N. Y.  
 Henry Odell Gober, Jr., Dayton  
 Marvin Edward Goldberg, Sylvania  
 William Joseph Goldring, Orrville  
 Beverly Jarzembowski Goodman,  
 Cleveland  
 Richard Forrest Gould, Kent  
 Gerald Polster Goulder, Columbus  
 Amy Jane Gourley, Hubbard  
 Susan Beryle Goldklang Gouz,  
 Middleville, N. Y.  
 Stanley William Gowin,  
 Cuyahoga Falls  
 Linda Moore Graves, Akron  
 James Earl Green, Columbus

Milford Bennett Green, Columbus  
 Cindie Jan Greenbaum,  
 Shaker Heights  
 Nancy Anne Griffiths, McDonald  
 John Andrew Grossman, Columbus  
 Myra Pauline Grossman,  
 Plainfield, N. J.  
 Robert Louis Grossman, South Euclid  
 Kenneth William Groves,  
 Pickerington  
 Bruce Edward Gschwend, Waterville  
 Gary Michael Gugelchuk, South Point  
 Deborah Bowman Gupta, Springfield  
 Susan Lewis Haller, Fairfax, Va.  
 Patricia Denise Hansen, Columbus  
 Stephen Kent Hart, Gibsonburg  
 Joyce Eileen Hartge, Shelby  
 Larry Dean Heichel, Mansfield  
 † Kathleen Elizabeth Hemker,  
 Kettering  
 Robert Frederick Henery, Columbus  
 Michael Laurence Herr, Columbus  
 Sally Elaine Hesterberg, Cincinnati  
 Jane Louise Hillebrand, Toledo  
 Elnredia Hines, Cleveland  
 Michael Edwin Hipsher, Fostoria  
 Roseann Hirshman, Skokie, Ill.  
 Dinah Lea Hixon, Washington C. H.  
 Douglas Jeffrey Holmes, Worthington  
 Rebecca Jane Hope, Ravenna  
 Patricia June Huff, Columbus  
 † Phyllis Jean Hughes, West Milton  
 Chyrstyna Oksana Evhenia Huk,  
 Cleveland  
 David Russel Hunt, Newark  
 James Donard Iden, Jr., Newark  
 Elsie Ann Immel, Lancaster  
 Betty Ellen Jasinski, Lorain  
 Craig Steven Jenkins, Zanesville  
 David Henry Jensen, Hamden, Conn.  
 Adrian Stuart Jones, Gahanna  
 Jeffrey Stuart Kahn, Cincinnati  
 Robert Thomas Kaiser, Columbus  
 Christine Ann Kapis, Canonsburg, Pa.  
 David Edwin Kehl, Louisville  
 Ann Eileen Kelly, Columbus  
 Eloise Kelly, Ashtabula  
 Timothy Anthony Kelsey, Columbus  
 Michael Owen Kettman, Toledo  
 Ralf Donald Keysser, Dayton  
 Kevin Michael Kilbane, Kettering  
 Martha Ann Kimball, Columbus  
 Kim Clifford Kimber, Columbus

† Also Certificate of Graduate Dental Hygienist, College of Dentistry

\* Also Bachelor of Science in Education, College of Education

\*\* Also Master of Arts, Graduate School

Joseph Michael King, Newark  
 Paul David Kirgis, Dayton  
 Thomas James Kleven, Columbus  
 Francis Alvin Kovacs, Columbus  
 Frank Bernard Krause, IV,  
 Bedford Heights  
 Timothy Eugene Krouse, Ottawa  
 Janet Louise Kuhn, Columbus  
 James Edward Kunk, Springfield  
 Linda Jo Labate, Youngstown  
 Kenneth Earl Lane, Johnstown  
 Sharon Lucille Lang, Grove City  
 Bradley Alan Latham, Plainfield  
 Katherine Sue Lauderdale, Columbus  
 Karen Lee LaVelle, Van Wert  
 Timothy James LaVelle, Columbus  
 Kendal Thomas Leonard,  
 Indianapolis, Ind.  
 Gary James Leppa, Vandalia  
 Eileen Marie Letts, Lansing, Mich.  
 Gary Michael Lewis, Galion  
 Jose Manuel Lopez, Dayton  
 Susan Jeanette Lowe, Columbus  
 Ralph Charles Lucki, Bridgeport  
 Lauren Rose Ludwick, Cleveland  
 Steven Norman Luke, Massillon  
 Thomas Roger Lyon, III,  
 Huntington, W. Va.  
 Richard Walker Mack, Bucyrus  
 Laurie Ann MacLeod, Medina  
 Marsha Anne Main, Delaware  
 Gary Douglas Malaney, Somerville  
 Ronald Lee Malone, Delaware  
 Michael Jerome Manahan, Toledo  
 Bonnie Jean Mann, Lyndhurst  
 Thomas Anthony Maraffa, Columbus  
 Kathy Lynn Markey, Somerset  
 Lloyd William Marland, III,  
 Parma Heights  
 Michael Lee Martin, Columbus  
 Paula Martin, Pittsburgh, Pa.  
 Charles Richard McAvoy, Columbus  
 William Alan McCabe, Columbus  
 Brian McCann, Gahanna  
 Andrew James McCarthy, Hudson  
 David Lee McClain, Hamilton  
 Susan Loretta McColloch, Columbus  
 Charles Eugene McCrimmon, Dayton  
 Mary Joan McDonnell, Stow  
 Jennifer Jean McGraw, Columbus  
 Paul Terrence McNamara, Columbus  
 Larry Tilmon Mercer,  
 Newport News, Va.  
 Julia Anne Micha, Lima  
 Ava Lynn Miller, Canton  
 Harry Elmer Miller, Jr., Mansfield  
 Marvin Leroy Miller, Columbus  
 Ronald Lee Miller, Columbus  
 Jennifer Jane Mills, Marion

Michael James Mills, Columbus  
 Rodney Alan Mills, Columbus  
 Jo Nell Minge, Franklin  
 Gail Lynn Miskin,  
 Colorado Springs, Colo.  
 David Steven Misko, Lorain  
 John Clifford Mitchell, Mansfield  
 John Todd Mittermaier, Gahanna  
 Sharon Lee Mitzman, Tenafly, N. J.  
 George Arnold Modreck, Bridgeport  
 Cathryn Suzanne Montgomery,  
 Worthington  
 Joan Henderson Morrison,  
 Martins Ferry  
 \* Anne Kirste Morrow, Houik,  
 Norway  
 Donna Robison Mowery, Columbus  
 Steven Lee Mowery, Lucasville  
 Walter Scott Moyer, Troy  
 Dorothy Francis Murray,  
 Hartford, Conn.  
 Martha Jane Murray, Portsmouth  
 Patricia Anne Nelson,  
 Cuyahoga Falls  
 Stephen Monroe Neumann, Lexington  
 Robert Alan Newlon, Columbus  
 Paul M. Nisbet, Middletown  
 Mahlon Duncan Nowland, Louisville  
 Timothy Lee Nyerges, Parma  
 Roy Stephen Oldaker, Columbus  
 Ronald Alan Opper, Willard  
 Mary Anne Orcutt, Worthington  
 Deborah Ann Osborn, Powell  
 Debra Louise Osborne, Toledo  
 Gary Bruce Osherow, Akron  
 Julia Elizabeth Palm, Cincinnati  
 Matthew James Pannier, Lisbon  
 Dennis Alan Parobek, Cleveland  
 Richard Dale Parsons,  
 Cuyahoga Falls  
 Frederick Curtis Patrick,  
 Jersey City, N. J.  
 Donald Payne, Paterson, N. J.  
 Warren Robert Perl, Mayfield Heights  
 Joan Martha Peterson, Roswell, Ga.  
 Katrina Petrovic, Columbus  
 Michael Frederick Phillians, Marion  
 † Laurel Lynne Phillips, Reynoldsburg  
 Lynn Ann Piccirillo, Huntington, N. Y.  
 Jeffrey Michael Pike, Cincinnati  
 Robert Brown Pinnell, Athens  
 Sydney Anne Pitts, Lancaster, Pa.  
 Douglas Walter Plank, Irwin, Pa.  
 Susan Jean Pohler, Canton  
 Candice Kathryn Presley,  
 Satellite Beach, Fla.  
 Michael Richard Press, Columbus  
 Colleen Ann Price, Columbus  
 Gregory Kim Pugh, Kenton

Patrick Joseph Quinn, Alliance  
 Lyn Seehausen Racz, Westerville  
 Donna Katherine Ralli,  
 Wichita Falls, Tex.  
 Sharon Lee Randles, Columbus  
 Michael Robert Rankin, Toledo  
 Patricia Lee Raspberry, Celina  
 Marsha Kunkel Reall, Columbus  
 Deborah Kay Reed, Peebles  
 Joseph Dues Reed, Hudson  
 Joseph Hiestand Reed, Columbus  
 Martha Mae Reese, Martins Ferry  
 Jeanette Nickmeyer Regan,  
 Columbus  
 James Louis Reppy, Niles  
 Earl John Rice, St. Clairsville  
 Frederick William Rice, Dublin  
 Rodney Keith Roberson, Lucasville  
 James Curtis Roberts, Columbus  
 Michael Scott Robey, Massillon  
 Valerie Denise Robinson,  
 Westland, Mich.  
 David Craig Rodeheffer, Portsmouth  
 Mindy Sakowitz Rodney,  
 New York, N. Y.  
 Jamie Lynn Rogers, Akron  
 Randy Lee Roth, Fayette  
 Brent Lane Rubin, Toledo  
 Timothy Paul Rupright, Marysville  
 William Louis Rush, Columbus  
 Marie J. Russell, Clyde  
 \* Patrick Joseph Russell, Mansfield  
 Robert Sasaki, Olmsted Falls  
 Gayle Beth Savage, Mansfield  
 Ricky Charles Savage, Columbus  
 Perry Michael Schall, Toledo  
 Nancy Schans, Grosse Point, Mich.  
 Victor Bruce Schantz, Orrville  
 William Keppler Scherer, Dover  
 Gregory H. Schlinkmann,  
 St. Louis, Mo.  
 Richard Joseph Schuler, Youngstown  
 Kathleen Byrne Schulte, Wapakoneta  
 Kevin Makay Schumacher, Dayton  
 Mark Alan Serrott, Columbus  
 James Raymond Sheatsley, Jackson  
 Susan Rae Shemin, Dayton  
 Marilyn Ann Shippy, Boardman  
 April Kay Sievert, Elyria  
 David Carter Sigman, Reynoldsburg  
 Thomas John Sigmund, Parma  
 Blair Mitchell Singer, Canton  
 Carla Denise Skeen, Columbus

\* Also Master of Arts, Graduate School  
 † Also Certificate of Graduate Dental  
 Hygienist, College of Dentistry

Cynthia Sue Smith, Columbus  
 Robert Freeman Smith, III, Toledo  
 Robin Ann Smith, Toledo  
 Susan Lee Smith, Marietta, Ga.  
 Virginia Bell Smith, Columbus  
 Amy Beth Sorkin, University Heights  
 Janet Lynn Sowolla, Maple Heights  
 Sezen Fatma Sozmen, Columbus  
 Michael Greg Stan, Columbus  
 Peter David Stein, Flushing, N. Y.  
 Jerry Michael Stepp, Londonderry  
 Joanne Sue Stern, Shaker Heights  
 Donald Glenn Stickel, West Milton  
 Jeffrey Montfort Stiles, Moscow  
 Richard Myri Stillwell, Cincinnati  
 LuAnne Jane Strausbaugh, Fostoria  
 Jennifer Laurene Stuver, Columbus  
 Gary Eric Susser, Cincinnati  
 Lillian Margaret Synor, Cleveland  
 Christine Marie Tanoury, Zanesville  
 Darlene Hunt Tatum, Elizabeth, N. J.  
 Mark Edward Thompson, Portsmouth  
 Susan Grace Truxell, Norwalk  
 Edward Eugene Turner, Jefferson  
 Mark Gregory Tuttle, Columbus  
 Lisa Margie Ullman, South Euclid  
 Robert Frank Valenz, Warren  
 Gregory Blake Van Schoyck, Amlin  
 Peter Joseph Veenstra, Gahanna  
 Joseph Hart Verkamp, Cincinnati  
 James Scott Vigdor,  
 North Merrick, N. Y.  
 Eric Jean-Marc Villepontoux,  
 Versailles, France  
 Elissa Anne Villiers, Groveport  
 Stephen Douglas Vollmuth,  
 Columbus  
 Michael Vonogosh, Paterson, N. J.  
 Michael Gilbert Wade, Orrville  
 Jeffery Michael Waggoner, Toledo  
 Thomas William Waldsmith,  
 Columbus  
 Sharon Ann Walker, Westerville  
 Sherry Ann Weinstein,  
 Cleveland Heights  
 William Paul Welker, Dayton  
 Connie Bourne White, Canton  
 Michael Kevin White, Cleveland  
 Joanne Marie Widlak, Parma Heights  
 Janet Irene Wilcox, Willard  
 Gary Mason Wilkes, Cleveland  
 Darryl Jeffrey Will, Cleveland  
 Cheryl Loy Witzky, Mansfield  
 Jacqueline Louise Wollam, Lancaster  
 Thomas Anthony Zavislak,  
 Romeo, Mich.  
 James Michael Zikas, Columbus  
 David Zingo, Martins Ferry

### Bachelor of Science

Seventy-three candidates

Mark Elliot Ain, Columbus  
 Kristina Allen, Columbus  
 Evan Keith Arking, Hollywood, Fla.  
 Hyman Raleigh Bern, South Euclid  
 Kent Norman Bowser, Maple Heights  
 B.A.  
 James Patrick Brady, Mentor  
 Sara Dale Bresky, Plantation, Fla.  
 Jeffrey Allen Briggs, Niles  
 William Edward Byrley, Columbus  
 Craig Jeffrey Cassell, Columbus  
 Steve Patrick Chadwick, Columbus  
 Kim John Chitlag, Holden, W. Va.  
 Russell Warren Dern, Springfield  
 Richard David DiPiero, Girard  
 Margaret Maureen Duffy, Sandusky  
 Alberto Martin Eiber, Beachwood  
 Gary Linn Evans, Columbus  
 Nancy Ann Fisher, Lima  
 Mark Louis Frankart, Tiffin  
 B.A.  
 Robert Carroll Frere, Brunswick  
 Timothy James Fuente, Canton  
 James John Graneto, Youngstown  
 Frederic James Grant, IV,  
 Pueblo, Mexico  
 Jeffrey Robert Greene, Columbus  
 William Arthur Gregory, Napoleon  
 Thomas Martin Grubs, Sylvania  
 James David Gruff, Columbus  
 B.A.  
 Julie Margaret Hanners, Springfield  
 Stephen Andrew Hedge, Worthington  
 Angela Kay Iddings, Troy  
 Peter Nicholas Kanios, Sylvania  
 Jeffrey Carlton Keller, Bucyrus  
 Michael Wesley Keller, Springfield  
 Kenneth Brand Kimble,  
 Cuyahoga Falls  
 Thomas Michael Klepinger,  
 West Milton  
 Dale Geoffrey Kramer, Chagrin Falls  
 Richard Eugene Krizan, Jr., Mansfield  
 Margaret Louise Kuniewicz, Salem  
 Robert Bruce Levering, Marion  
 Michael Louis Levin, Toledo  
 Donald Eugene Long, Chagrin Falls  
 Terrance Allen Mack, Dayton  
 Dan Albert Madigan, Worthington  
 James Earl Martin, Cincinnati  
 Michael Blaine Mazer, Cincinnati  
 Jerome Elmer Modlik, Cleveland  
 Kathleen Susan Nance, Warren  
 Mark Edward Navarro, Dayton  
 Dean William Neill, Medway  
 Orval Austin Nelson, Jr., Columbus

Linda Jean Nixon, Columbus  
 Janis Gail Palesky,  
 Thetford Center, Vt.  
 Doris Thirsk Palm, Fairborn  
 Thomas Henry Phillips,  
 Berlin Heights  
 Thomas Robert Pipic, Columbus  
 Timothy Ladd Rheinscheld,  
 Mt. Vernon  
 David Craig Runge, Chagrin Falls  
 Daniel Samson Serbin, Painesville  
 Rhonda Louise Sigrist, Zanesville  
 Marilyn Ann Sosenko, Salem  
 Rosemarie Stanek, Cleveland  
 William Albert Stedron, Dayton  
 Kathleen Ann Stockwell, Sunbury  
 Robert Elwood Thatcher, Bucyrus  
 Chris Edward Thomascik, Lakewood  
 James Chapman Treysen, Columbus  
 Kenneth Lynn Umeck, Niles  
 Vicki Ann Underwood, Columbus  
 Mark William Valtiera, Norfolk, Va.  
 Roberta Von Bargaen, Bloomingburg  
 Leonard Emmitt Wallick, Whitehall  
 George Errol Ware, Dayton  
 Lee Walter Willard,  
 Boardview Heights

### Bachelor of Arts in Journalism

Sixty-seven candidates

Susan Dickman Ackerman, Bedford  
 Larry Martin Adler, New York, N. Y.  
 Jeffrey Scot Anderson, Grove City  
 Kathleen Kaufman Baird, Columbus  
 Carol Lee Baker, Marysville  
 Susan Claire Barrett, Ashland  
 David Francis Bartosic, Ashland  
 Richard Jay Beckman,  
 Morton Grove, Ill.  
 Gretchen Annette Best, Columbus  
 Christine Grace Biesiada,  
 North Royalton  
 Robert Kevin Billerman, Jr.,  
 South River, N. J.  
 Lillie Blackshear, Toledo  
 Douglas Farber Cannon,  
 Upper Arlington  
 Kathleen Ann Conroy, Bay Village  
 Harvey Roy Cooper,  
 Massapequa Park, N. Y.  
 Ronald Alan Cromer, Columbus  
 David James Crum, Trotwood  
 James Vincent Cuffaro, Wellsville

\* Also Certificate of Graduate Dental Hygienist, College of Dentistry

Douglas Sean Daniels, Napoleon  
 Andre Mourad Douek, Columbus  
 Charles Willard Durfey, Columbus  
 Margie Sue Everetts, Edgerton  
 Andrew Charles Ferrari, Mason  
 Kip Edward Fisher, North Royalton  
 Ellen Melissa Gardner, Westerville  
 Mary Ann Gera, Parma  
 Eric Samuel Gerard, Shaker Heights  
 Bobby Doyle Gibson, Marion  
 Michele Sue Gottlieb, Elyria  
 Jerry Hall, Hartford, W. Va.  
 Katherine Rose Hamilton, Columbus  
 Paul Dare Harmon, Granville  
 Mark Beauregard Hassler, Cincinnati  
 John Herbert Howenstine, Louisville  
 Linda Lou Hughes, Akron  
 James Russell Irwin, Columbus  
 Thomas Fredrick Jindra, Oak Hill  
 Kathleen Christine Jones, Canfield  
 Ellen Jan Kleinerman,  
     Shaker Heights  
 Constance Jo Kuebler, Columbus  
 Valerie Sue Kurson, Columbus  
 Jeannette Malone, Toledo  
 Michael Dale McCarthy, Columbus  
 Edmund McGranaghan,  
     Broadview Heights  
 Catherine Carr Meienberg, Brecksville  
 Marilyn Anne Moore, Middletown  
 John Andrew Oleyar, Youngstown  
 Patricia Joy Phillips, Eastlake  
 Alan Anthony Ponzio, Hubbard  
 Melissa Lee Ramsey, Wadsworth  
 Patrick James Reddy, Cincinnati  
 Mary Anne Rosing, Cleveland  
 Marianne Renee Sailor,  
     Jackson Center  
 Susan Amelia Schwartz, Cincinnati  
 Sharon Elizabeth Sieh, Toledo  
 Rebecca Anne Smith, Akron  
 Lawrence Gerard Spisak, Cleveland  
 Candice Lynn Steinbach,  
     Gnadenhutten  
 Mary Jane Suffron, Chesapeake  
 Cathie Marie Volk, Canton  
 Anne Walden Warner,  
     Greenwich, Conn.  
 Valerie Weber, Springfield  
 Genevieve Anne Whalen, Akron  
 Michael David Wilhelm, Cincinnati  
 Robert Mark Wilkinson,  
     Cuyahoga Falls  
 Michael Richard Young, Lebanon  
 Lauri Podell Zofan, Columbus

## College of Administrative Science

Dean: Edward H. Bowman

### Bachelor of Science in Business Administration

Three hundred and sixty-three candidates

Norman Anthony Abood,  
Concord, Calif.  
Stephen Robert Adams, Belpre  
Gerald Alan Albright, Dayton  
John Carter Amos, Jr., Columbus  
Charles Scott Andrews, Ashtabula  
John Miles Andrews, Middletown  
Steven James Andrews, Columbus  
Steven John Anthony, Chillicothe  
Donald Parker Arbogast, Cincinnati  
David Denver Arnett, Export, Pa.  
Ricky Lynn Arquilla, Cincinnati  
Stephen Carr Baer, Reynoldsburg  
Bradford William Bailey, Kenton  
Franklin Keith Bailey, Toledo  
Jeffrey Lee Bainbridge, Chagrin Falls  
Sandra Jo Bakalus, Dayton  
Gary Lynn Ballard, Gallipolis  
Richard Gregory Ballard, Columbus  
Robert George Ballenger, Gahanna  
Michael Jay Barry, Toledo  
Charles Heiser Barton, Franklin  
George Montgomery Baxter,  
Caledonia, Ill.  
John Alan Bay, Lorain  
Ronald Carl Bayer, Cleveland  
Charles Robert Beinecke, Jr.,  
Columbus  
Yvonne Marie Bender, Akron  
Paul Dana Bennett, Barnesville  
James Hamlyn Benney, Columbus  
Steven Paul Benz, Springfield  
Victor Lewis Bernard, New Vienna  
Daniel Bevan, III, Worthington  
William John Beyke, St. Henry  
James Owen Bills, Loveland  
Robert Donald Birkemeier,  
Russellville, Ky.  
Dale Eugene Bishop, Mansfield  
Neal Joseph Bockmiller, Brookpark  
Richard Anthony Bodnar, Warren  
George William Boe, IV, Columbus  
Gary Dennis Bolte, Ashtabula  
David Fredrick Bond, Columbus  
Gary Brent Bostick, Columbus  
Charles Berka Bouton,  
Bay Shore, N. Y.  
William Lee Bowersock, Lima  
Catherine Lynn Bowsher, Lima  
Terrence Lee Bowshier, Grove City  
Randy Donald Boyce, Mansfield  
Daniel Jay Bragg, Sandusky  
Jack Allen Brewer, Millersport  
Francis Edward Britting, Jr.,  
Cleveland

Eric Brenton Brown, Canton  
James David Brown, Columbus  
Jeffrey Allen Brown, Columbus  
Nancy Jane Bruce, Utica  
Steven Hugh Bryant, New Holland  
John Peter Buckley, Worthington  
Finis Randy Buckner, Cleveland  
Gary Preston Budd, Columbus  
James Fredrick Buehler,  
Newcomerstown  
Anthony Donald Bullock, III,  
Cincinnati  
David Joel Bushman,  
Cleveland Heights  
Donald Kenneth Byrnes,  
Cypress, Calif.  
Michael Patrick Cahill, Columbus  
Patrick Lee Caldwell, Columbus  
Raymond Scott Callahan, Hubbard  
David Michael Cannon, Ironton  
William John Carter, Barberton  
Richard Karl Charville, Milan  
William Harrington Cleckner,  
Doylestown  
Richard Jay Cohen, Hewlett, N. Y.  
Anthony Joseph Colak, Columbus  
Richard John Collingwood,  
Garfield Heights  
Thomas Alan Cordell, Worthington  
B.A.  
Dennis William Cramer, Cleveland  
Dwight Evan Crawford, Canton  
Candis Louise Criner, Columbus  
David Scott Crook, Granville  
John Thomas Curran, Lyndhurst  
Jack R. Curtis, Lima  
Jay Lee Cutler, Canton  
John William Demorest, Wooster  
Lloyd George DePew, Jr., Franklin  
Earl Kellar Desmond, Delaware  
David Thomas Dicke, New Bremen  
David Lee Dietsch, Findlay  
Robert Lee Dillon, Springfield  
Charles Ross Diltz, Jr., Columbus  
Emilio John DiPietro, Columbus  
Steven Henry Dohme, Dayton  
Stephen Michael Dominique, Archbold  
John Thomas Downey, Columbus  
Mark Thomas Dundon, Worthington  
William Brewster Eberle, Alliance  
Lynn Nathan Edelman, Lima  
Charles Thomas Edwards,  
Wintersville  
David Arbenz Edwards, Jr., Columbus  
John William Edwards, III, Lakewood  
Charles David Eingle,  
Upper Sandusky  
Patrick Joseph Elgin, Columbus  
Ned Preston Ellis, Upper Sandusky

Dennis Lee Emptage, Reynoldsburg  
Barbara Ann Enneking, Dayton  
Richard Thomas Erb, Columbus  
Robert Alfanso Eubanks, Columbus  
Dennis Paul Evans, Columbus  
Kenneth James Farber, Columbus  
John Steven Federer, Columbus  
John Charles Federspiel,  
Philadelphia, Pa.  
Lisa Lynnette Finch, Chicago, Ill.  
Zelmer Alan Fink, Marion  
Christine Marie Finkes, Solon  
Eric Albert Firestone, Canton  
James Edward Fischvogt, Cincinnati  
Bradley Steven Fisher, Galion  
David Alan Fitch, New Boston  
Michael Francis Flaherty, Columbus  
Steven Jerome Flichman, New Paris  
Richard Lawrence Fogel, Brookfield  
Jeffrey William Foreman, Richwood  
William Harry Frank,  
Garfield Heights  
James William Freytag, Massillon  
Paul John Friedemann, Columbus  
Marcia Louise Fudge, Cleveland  
Tony Allen Gaines, Graytown  
Gregory Allen Gallagher, Barnesville  
Robert Alan Garrett, Galion  
Daniel Wilson Geiser, Oil City, Pa.  
John William Geist, Columbus  
John Edward Gibson, IV, Cincinnati  
Jerry Gluck, Cleveland  
Paul Ambrose Goss, Jr., Columbus  
Barbara Ann Gossman, Westerville  
Arthur Lee Grant, Akron  
Steven David Grau, Springfield, N. J.  
Alan Jeffrey Greenberg, Columbus  
Gary Alan Grossman, Syracuse, N. Y.  
Robert Evans Grossman, Columbus  
Theodore Christopher Haddad, Jr.,  
Toledo  
Stephen Frederick Hadley, Columbus  
Mark Thomas Haemmerle, Dayton  
Richard Michael Hall, Columbus  
David Lewis Halpern, Wantagh, N. Y.  
Robert Linley Hamilton, Marion  
John Nicholas Hanek, Parma  
Stephen Joseph Hannon, Columbus  
William Gerald Harrison, Canton  
Steven Alan Hatten, Columbus  
Stephen Clarke Hays, Timberlake  
James Albert Henderson, Blacklick  
Mark Leroy Hendricks, Orient  
Robert Louis Henry, Jr., Columbus  
Gary Donald Herd, Fairborn  
Charles William Hickman, III,  
Grove City  
Steven George Himes, Cincinnati  
Alan Duane Hipolite, Columbus

Bruce William Hoefs, Utica, Mich.  
 Jesse Deuhrelle Hofmeister, Jr.,  
 Butler, Pa.  
 Ronald Dale Holderman, Reynoldsburg  
 William Jeffrey Hole, Greenville  
 James Francis Holland, II, Columbus  
 Michael James Holtschulte, Columbus  
 Timothy Girard Holycross,  
 Bedford Heights  
 James Robert Hoobler, Dellroy  
 Cynthia Lee Horn, Evanston, Ill.  
 John Christopher Hough, Akron  
 John Hideo Houston, Gahanna  
 David Wayne Howard, Waverly  
 Nathan James Howard, Dublin  
 Thomas Richard Hug, Sandusky  
 William Moling Inskoop, Columbus  
 William David Isenstein, Toledo  
 Sherry Ann Jacobs, Beachwood  
 P. Thomas Jasinski, Amherst  
 Clifton Edward Jenney,  
 Rochester, N. Y.  
 Jeffrey Rutledge Jinkens, Columbus  
 Francis Joseph Johnson, Jr.,  
 Worthington  
 James LeLand Johnson, Toledo  
 Rex Canon Johnson, Oregon  
 Walter Earle Jominy, Westerville  
 Larry Michael Jones, Cincinnati  
 George Francis Kaczmarek, Cleveland  
 Dennis Eugene Kaercher, Columbus  
 Steven Lee Kahn, Oceanside, N. Y.  
 Michael Howard Karu,  
 South Orange, N. J.  
 William Aldy Keene, Elkton, Md.  
 James Dale Keil, Mt. Gilead  
 Kathy Elaine Keith, Hartsville  
 Michael Daniel Kerski, Parma  
 Henry Charles Kerstetter,  
 Winterville  
 David Isa Keyles, Valley Stream, N.Y.  
 Kenneth Richard Kidd, Jr.,  
 Mt. Vernon  
 Gerald Alan Kilbane, Parma  
 B.S.Agr.  
 Donald Klein, Beachwood  
 Michael LeRoy Koehler,  
 Upper Sandusky  
 Charles Anthony Koenig, Mentor  
 Randy Neal Koenig, Columbus  
 Richard John Kowalski, New Albany  
 Russell Jon Kranzler, Brooklyn, N. Y.  
 George Douglas Krieger, Columbus  
 Robert Gayle Kriner, Mansfield  
 John Albert Krueger, Mentor  
 C. Karl Kuehne, III, Mansfield  
 Neil Henry Kugelman, Youngstown  
 Lawrence Lachanski, Seven Hills  
 Ronald Neil Lake, Beachwood  
 Frank Michael LaScola, Toledo  
 Mark Edward LaVoy, Maumee  
 Kenneth Bain Leachman, Adamsville  
 James Randolph Leggett, Columbus  
 George Carl Leonard, Columbus  
 Patricia Veronica Levy, Worthington  
 Arthur Li, Bethesda, Md.  
 James G. Lightburn, Delaware  
 Jeffrey Stockwell Limes, Hillsboro  
 Richard David Linden,  
 Shaker Heights  
 Martin Lynn Liston, Columbus  
 John Paul Littlejohn, Columbus  
 Virginia Ann Witherspoon Losey,  
 Columbus  
 Theodore Dann Mach, Newark  
 Gary Edward Mack, Columbus  
 Robert Michael Macklin, Columbus  
 Terry Kyle McAfee, Columbus  
 Neil William McCarthy, II,  
 Fairview Park  
 John Robert McClain, Rocky River  
 Richard Charles McClelland,  
 Columbus  
 Robert Ted McConnell, Caldwell  
 Cathy Jeanne McDowell, Worthington  
 Walker Burnette McDowell, Gahanna  
 Maurice Lee McGhee, Jr., Columbus  
 Timothy Lee Mehok, Akron  
 Robert William Meiring,  
 Fort Recovery  
 B.S. (Indiana State University)  
 Daniel Gene Merrill, Salem  
 John Charles Merritt, Jr., Columbus  
 Melody Lane Merry, Caldwell  
 Thomas George Michaelides,  
 Columbus  
 Daniel Wayne Miller, Delaware  
 Douglas Alan Miller, Mansfield  
 Douglas Lee Miller, McDonald  
 James Mason Miller, Cincinnati  
 Robert Edward Miller, Jr.,  
 Meriden, Conn.  
 Gerard Edward Modecki, Marietta  
 Michael Dennis Moore, Columbus  
 David John Morman, Ottawa  
 Gregory Dean Morris, Woodsfield  
 Peter Redfern Morris,  
 Lake Quivira, Kan.  
 Judith Dorothy Moss, Columbus  
 James Michael Motter, Columbus  
 Richard Cadot Mountain, Ironton  
 Michael Eugene Mox, Delphos  
 Timothy Patrick Murnane, Columbus  
 Jacquelyn Joan Murphy, Xenia  
 Thomas Joseph Murray, Lakewood  
 Richard Dean Mustard, Cincinnati  
 Ronald Lynn Myers,  
 Columbus Grove  
 Mark Wayne Napier, Cincinnati  
 Ayāz-Iqbal Hassan Nasser,  
 Brussels, Belgium  
 Mark Louis Noffke, Cincinnati  
 James Daniel Norman, Cincinnati  
 Henry O'Connor, Columbus  
 Louis Stanley Orloff, Portsmouth  
 Velda Boyer Otey, Columbus  
 William Ray Owen, Westerville  
 James Michael Palmer, Fredericktown  
 Michael James Parker, Fairborn  
 Larry David Parkinson, Columbus  
 Richard Gordon Paulette,  
 Oak Harbor  
 Anthony Prospie Pavia,  
 Fairview Park  
 William Ross Pepin, East Liverpool  
 Grant Earl Percy, Athens, Tenn.  
 George Perko, Cockeysville, Md.  
 Bradford Edwin Pfirman, Cincinnati  
 Timothy Edward Picciano, Kettering  
 Donald Thomas Plank, Columbus  
 Michael William Ploetz, Marion  
 Kenneth John Poje, Cleveland Heights  
 Judy Ellen Polter, West Unity  
 Edward Lee Potts, Grove City  
 John Blomgren Quist, Worthington  
 Argirios Pete Ragias, Zanesville  
 Edward Alan Rammel, Miamisburg  
 Richard Todd Rekart, Delphos  
 Patrick Francis Reynolds, Columbus  
 Denise Ann Richards, Chagrin Falls  
 Michael Lee Richardson, Mansfield  
 Carol Anne Riegler, Akron  
 Ronald Bruce Roberts, Naperville, Ill.  
 Timothy Warren Rodeman, Toledo  
 William Charles Rodgers, Jr., Dayton  
 James Anthony Rogers, Columbus  
 Thomas Darrell Roof, New Carlisle  
 Diane Rose Rosengarten, Coldwater  
 Karen LaVerne Ross, Columbus  
 Cathy Marie Roth, Marion  
 Robert Edward Rouault, Jr.,  
 Bay Village  
 Marc Cary Runck, Columbus  
 Mark Sbrochi, Columbus  
 Eric Lance Schargel, Teaneck, N. J.  
 Richard Alan Schart, Bellevue  
 Ronald Joseph Schaub, Louisville  
 Barry Alan Scheland, Cincinnati  
 Edward James Schlechty, Medina  
 Michael Francis Schmidt, Mansfield  
 Jeffrey Lee Schneider, Hudson  
 Theodore Ralph Schneider, Canton  
 Glenn Eric Schoch, Troy  
 Russell Bruce Scohy, Bowie, Md.  
 Rodney Michael Scott, Lima  
 William Ray Senften, Middletown  
 Gary Shawn Sentz, Columbus  
 James Richard Shields, Columbus



Andrew Pershing Show, Jr., Columbus  
 Hugh Burkley Showe, Jr., Columbus  
 Larry Richard Simmons, Westerville  
 Douglas James Sivinski, Columbus  
 Bradley Clair Smith, Columbus  
 Bradley Gaylor Smith, Niles  
 Richard Preston Smith, Columbus  
 Arnold Paul Solomon, Pittsburgh, Pa.  
 Michael Arnold Sonfist,  
 New York, N. Y.  
 William Harry Standen,  
 North Olmsted  
 Lawrence Michael Stange, Columbus  
 Stephen Woodruff Statler, Zanesville  
 Robert Carl Steele, Haverford, Pa.  
 James Michael Stevens, Archbold  
 Debra Shopper Still, Fairborn  
 Roger Ray Storozuk, Conneaut  
 Marsha Gerber Strasser, Oberlin  
 Daniel Warren Streets, Kenton  
 Michael Joe Studebaker,  
 West Alexandria  
 Dale Alan Stultz, Chillicothe  
 Robert Arwood Swisher, Delaware  
 Dallas Stanley Talbert, Burton  
 James Alan Terranova, Niles  
 Kathleen Ann Terry, Piqua  
 Mark Robin Tessneer, Enon  
 Jay Frederick Thompson, Canton  
 Michael LeRoy Thompson, Sidney  
 Paul Joseph Thornburg,  
 Rochester, Mich.  
 Alice Mercer Tilton, Columbus  
 Jeffrey Scott Tilton, Columbus  
 Edward Harold Tomaszewski, Lorain  
 Vallie Emerson Toney, III, Columbus  
 David Alan Tope, Gallipolis  
 Thomas Edward Toussant, Canton  
 Roger Gilbert Vaccariello, Huntsburg  
 Lynn Robert Van Horn, Louisville  
 Margaret Cherie Verrell,  
 Fairview Park  
 Robin Michael Wagner, Fustoria  
 Randall Mitchell Walters, Columbus  
 Gary Stephen Watson, Worthington  
 Philip Winchester Wilcox, Columbus  
 Jeffrey Alan Williams, Columbus  
 Robert Eugene Wingfield, Ridgeway  
 James Howard Withers, Marion  
 Richard Adrian Wolf, North Canton  
 Timothy Joseph Wolf, Groveport  
 Dennis Lee Wolfarth, Louisville  
 Paul Joseph Wordeman, Cincinnati  
 Willard Bradford Workman, Bellaire  
 Darrell Edward Young, Grove City  
 Ralph Stephen Young, Columbus  
 James Michael Zinn, Westerville  
 Howard Allen Zoss, Youngstown  
 Leo Joseph Zureick, Cincinnati

## School of Social Work

### Bachelor of Science in Social Welfare

Sixteen candidates

Ann Marie Bagley, Chagrin Falls  
 Mary Lee Boling, Columbus  
 Yvonne Rose Bostosky, Cleveland  
 Sheila Ann Cochran, Westerville  
 Brenda Coggins, Columbus  
 Thomas Richard Ford, Columbus  
 Diane Marie Frye, Mt. Vernon  
 Howard Kronick, South Euclid  
 Andrea Lynn Kulka, Mansfield  
 Mark William Lehman,  
 Middleburg Heights  
 Pamela Lee Mills, Cleveland  
 Alice Anne Powers, Columbus  
 Barbara Jane Slack, Mansfield  
 Andrew Joseph Tafelski, Jr., Toledo  
 Rachel Anne Tobin, East Liverpool  
 Pamela Sue Weyandt, Lewistown, Pa.

Page 554 Blank

## College of Agriculture and Home Economics

Dean: Roy M. Kottman

### Bachelor of Science in Agriculture

Two hundred and seventy-one candidates

John Edward Akins, Troy  
George Robert Allen, Springfield  
Craig Eric Anderson, Salem  
Eva Jo Anderson, Lucas  
Keith Roland Awalt, Lancaster  
Sarah Ann Banks, New Paris  
Joseph James Barclay, Jr.,  
Columbus  
Clarence Boyd Baugher, II,  
Elkton, Va.  
Richard Royal Beckwith, Cincinnati  
Joseph William Beran,  
North Bloomfield  
Melinda Kay Berry, Little Hocking  
Katherine Ann Beverley, Kettering  
William Lynn Bolender, Lockbourne  
Joseph Peter Borchers, Versailles  
Gary Lynn Bostelman, Napoleon  
Jeffrey Jay Bourne, Waynesville  
David Oliver Bowman, Columbiana  
Nancy Margaret Brach,  
Orchard Park, N. Y.  
Curtis Terry Brand, Austinburg  
Rebecca Jean Brandau, Amherst  
Larry Lee Bratton, Athens  
Jeffrey James Brotzman, Madison  
Bruce Paul Brown, Newark  
Charles Jeffrey Brown, Newark  
Frederic Tully Brown, Mt. Sterling  
Kelly Edgar Brown, Fredericktown  
Stanley Neil Brown, Cortland  
Lee Alan Bruey, Lisbon  
Neddie Dean Burbridge,  
New Milton, W. Va.  
Eugene Neil Burkholder, Wauseon  
Bradley William Burton, Casstown  
Kenneth Eugene Bushong, Kenton  
William Alvin Bussey, Somerset  
Todd Neal Butler, Cleves  
Joanne Maria Captain, Sheffield Lake  
Daniel Ray Cartell, Caldwell  
Charles Grafton Carter, Columbus  
Lennie Melvin Carter, Kingston  
Richard Allen Carter, Hilliard  
Timothy Del Caughenbaugh,  
Washington C. H.  
Dawn Diana Caughron, Cincinnati  
Darrell Lynn Chiles, St. Marys  
William Andrew Cierebiej,  
Willoughby  
Martin Brent Clark, Cutler  
Lester Lee Cline, Lake Milton  
Larry Dean Coffing, Piqua  
Scott Harris Cook, Lorain  
Kathleen Lynn Cooke, Wilmington  
Patrick William Corcoran, Chillicothe

Connie Lynn Cornett, Greenville  
Stephen Alan Coughlin, Paulding  
Cynthia Sue Coy, Salem  
Edward Blaine Crawford,  
Bloomington  
\*Richard Lynn Crawford, West Union  
David Hampton Cullis, Bryan  
Robert Donald Dahlhausen, Parma  
William Carl Deehr, Berlin Heights  
Bram Daniel de Jong, Westfield, N. J.  
Brian Karl Delahunty, Warren  
Dea Demmien, Springfield  
David Lee Dietz, Dayton  
David Allen Drake, Orient  
Everett James Drake, Columbus  
Michael James Dunlap, Elida  
Charles Hugh Eby, Dayton  
Carolyn Elizabeth Edgar, Columbus  
Thomas Patrick Edgar, Lyndhurst  
James Alan Edwards, Dalton  
Eric Eisenberg, Metuchen, N. J.  
Kevin Howard Elder, Pleasantville  
Jay Marshall Ellison, Dayton  
Vernon Milton Elwonger, Columbiana  
Kristin Elinor Fash, Woodhaven, N.Y.  
A. A. S. (State University  
Agricultural and Technical College,  
Farmingdale)  
Richard Allen Fazenbaker, Akron  
Terry Dean Fraclick, Convoy  
Terry William Fredrich, Pemberville  
John Edwin Furnas, Centerville  
Sally Luree Futrell, Greenville  
Terence Merton Garrison, Lancaster  
Karen Bernette Gase, Milford Center  
William Henry Gear, IV, Cincinnati  
Michael Scott Gelber, Seaford, N. Y.  
Douglas William Gerber, Jr., Elyria  
Michael Paige Gibson, Columbus  
Lenna Beth Gift, Athens  
Jeffrey Albert Gilbert, Eaton  
Ronald Jeffrey Glove,  
Cleveland Heights  
Richard Frank Gooding, Sherrodsville  
Don Lewis Gordon,  
Massapequa Park, N. Y.  
A. A. S. (State University  
Agricultural and Technical College,  
Farmingdale)  
Joe Michael Gordon, Huntsville  
Lawrence David Gouz, Elmont, N. Y.  
A. A. S. (State University  
Agricultural and Technical College,  
Farmingdale)  
James William Grafton, Steubenville  
Marvin Alan Greenberg,  
University Heights  
John Dale Grolle, Bowling Green  
Jack Frederick Grove, Hamilton

David Clouse Grusenmeyer, Dayton  
Ronald Joseph Guirrerri, Canton  
Howard Michael Hackman, Columbus  
Michael Neal Hampson, Bremen  
Mary Susan Harmeier, Cincinnati  
Carole Lee Harrison, Akron  
Rebecca Jane Harvey, Hamilton  
Stanley Alvin Hastings, Postoria  
John David Hauelsen, Columbus  
Louis Richard Hauelsen, II, Dublin  
Steven Paul Hawkins, Hamersville  
Timothy Clifford Hayes,  
North Royalton  
Daniel Joseph Hellwarth, Celina  
Paul Edward Hertlein, Georgetown  
Daniel Leroy Hiller, Dola  
John Norman Hobstetter, Cincinnati  
Jeffrey Louis Hoepf, Tiffin  
Marsha Sue Holdsworth, Canton  
Scott David Hollis, Elyria  
Sharon Kay Hornak, Bucyrus  
Charles Scott Hosket, Yellow Springs  
Robert Dale Hothem, Stone Creek  
Kathleen Maria Hrabak, Toledo  
Alice Marie Humphrey,  
Bedford Heights  
David Alan Husek, Shadyside  
Richard Harry Hyman, Gates Mills  
David Gerard Ivancic, Hamilton  
John Nicholas Jacquemin, Hamilton  
David Floren James, Huron  
Howard Milton Jelley, Sidney  
Michael Robert Johnson, Worthington  
Robinson Wells Joslin, Sidney  
Arthur LaVerne Kanagy, Mt. Gilead  
Michael Dominic Kane, Lorain  
David Scott Karabinus, Gahanna  
James Milton Kartsimas, Columbus  
Richard Bradley Kay, Columbus  
B. A. (Denison University)  
David Roy Keep, Dorset  
Jeffrey Clark Keller, Canton  
Leonard James Kirian,  
McCutchenville  
Anthony Koppenhofer, Holgate  
Blair William Kotkowski, Mantua  
Gary Paul Kuhn, Chardon  
Dennis Anthony Kulasa, Elyria  
Marc Louis Lame, Akron  
Albert James Lang, Fleming  
Larry Alan Lang, Kent  
Christina Ann Leachman, Zanesville  
Douglas Gene Leith, Pleasantville  
Richard Allan Leitzy, Bucyrus  
Steven Murray Lemon, Oak Hill  
Thomas Vernon Lenz, Curtice  
Donna Lynn Letzelter, Steubenville  
Carol Ann Lichtensteiger, Ohio City  
\* Also Master of Science, Graduate School

Fred Ray Likes, Mason  
 Douglas Robert Little, Continental  
 A.A.B. (Penta Technical College)  
 Catherine Elizabeth Loddell, Athens  
 Richard Gilbert Locke, South Vienna  
 Gary David Long, Mt. Sterling  
 Donald Louis Magoteaux, Brookville  
 Robert John Maro, Youngstown  
 Robert Michael Martin, Jr., Collins  
 Thomas George Martinek,  
 Garfield Heights  
 Richard Charles Mather, II,  
 Cincinnati  
 Ronald Eugene Matthews, Galloway  
 James Steven Mauler, Bucyrus  
 David Roy McClain, Columbus  
 Brenda Sue McClenathan, Cardington  
 David Lee McDermott, Wilmington  
 Michael Wayne McDowell,  
 Columbus Grove  
 Jeffrey Lynn McKenney, Defiance  
 Margaret Ann McWhirter,  
 Newton Falls  
 Thomas Francis Meade, Cincinnati  
 Robert Lowell Medford, Dayton  
 Girard Anthony Meier, Mt. Vernon  
 Jane Michele Melchior, Uniontown  
 Lita Susan Mendel, Somerset, N. J.  
 William James Messner, Uniontown  
 Carl Henry Miller, Oak Harbor  
 Ronald Frederick Miller, Beloit  
 Steven Curtis Miller, Columbus  
 B.A. (Bowling Green State  
 University)  
 Robert Edward Milne, Parma  
 Stephen Douglas Mitchell, Columbus  
 Paula Denise Modransky,  
 Bloomington  
 Edwin Eugene Molyet, Fremont  
 John Ray Morris, Xenia  
 Terrace Albert Murnane, Galloway  
 Clark William Myers, Salem  
 Kathleen Louise Myers, Bellville  
 Roger David Nease, Minersville  
 Jeffrey Werner Neumann, Canton  
 Barbara Joyce Newman, Urbana  
 Philip R. Nieman, Gahanna  
 \*Sarah Constance Nipah,  
 Kumasi, Ghana  
 Michael Gregory Norman, Aurora  
 Jack Reed Orum, Groveport  
 Victor Frank Padvorac,  
 Parma Heights  
 Terry Dale Pawuk, Parma  
 William Clyde Pearson, Columbus  
 David J. Peirson, Christiansburg  
 Gene Howard Perry, Vickery  
 Gary William Peters, Dayton  
 Robert Jay Peterson, Wilmington

James Corbett Phipps, III, Peebles  
 Eldon Gene Plummer, Belle Center  
 Lawrence Nelson Preston, Columbus  
 Cathy Lynn Probst, Maumee  
 David Wayne Puppel, Columbus  
 David Brent Purdy, Swanton  
 William Robert Quicksall, Mansfield  
 Daniel Willis Reif, Graytown  
 Kathleen Ann Reinhardt, Okeana  
 Linda Jane Renfrew, Canfield  
 Paul Stephen Revoldt, North Canton  
 Patrick J. Robarge,  
 Highland Falls, N. Y.  
 Ronald Lee Robarge, Bryan  
 David Lee Roberts, Radnor  
 Theodore Jay Rogers, Mt. Sterling  
 Rosemarie Rossetti, Columbus  
 James August Rotilie, Akron  
 Robert Hartley Rowan, Chagrin Falls  
 Dana Paul Rudolph, Cincinnati  
 Jan Ellen Russ, Oak Hill  
 Ronald Dean Salisbury, New Vienna  
 Dia Felice Smith Salogga, Columbus  
 Roger Leroy Sanders, Waynesfield  
 John Salvatore Santora, Seven Hills  
 Pamela Sue Schorr, Dayton  
 Ralph Allen Schroll, Bluffton  
 \*Marvin Eugene Schultz, Versailles  
 Kurt Walter Schuster, Lexington  
 David Bailey Schwab, Hamilton  
 Kenneth Joseph Schwieterman,  
 Chickasaw  
 Robert J. Seader, Merrick, N. Y.  
 Thomas William Seaton, Greenfield  
 Melissa Gay Shanabrook, Batavia  
 Thomas Edwards Sharpe,  
 Sunnyvale, Calif.  
 Mark Stephen Shirkey, Elyria  
 Lillian Elizabeth Sibley, Urbana  
 Ellen Louise Siegenthaler,  
 West Liberty  
 Alice Anne Siegmyer, North Royalton  
 Thomas Gerard Skeldon, Toledo  
 Evan Scott Sloan, Tenafly, N. J.  
 Larry Eugene Smith, Forest  
 Thomas Michael Smith, Wilmington  
 Nicholas Murray Sneath, Fremont  
 Dale K. Snyder, Marion  
 Earl Martin Stitzlein, Loudonville  
 Roger Eugene Stitzlein, Loudonville  
 Mack Daniel Stoner, Jr.,  
 West Jefferson  
 George Wesley Strayer, Fayette  
 John Maynard Surber, Hillsboro  
 George Vincent Suvar,  
 North Ridgeville  
 Gary Lee Szerszen, Westlake  
 Andrew P. Todd, Columbus  
 B.S.Nat.Res.

James Roscoe Totts, Gahanna  
 Deborah Grist Ufferman, Westerville  
 Christine Monroe Van De Grift,  
 Piqua  
 James Lawrence Vent,  
 Upper Sandusky  
 Mark Anthony Verhoff, Ottawa  
 Beverly Jean Wagner, Fremont  
 David James Ward, Columbus  
 Stanley Stewart Weill, Jericho, N. Y.  
 Antoinette Wojciak Welch, Columbus  
 Russell Reed Welty, Wooster  
 Carol Jean Wensink, LaGrange  
 John David Westfall,  
 North Lewisburg  
 Billy Larson Whittaker, Newbury  
 James Collins Whittington,  
 Springfield  
 Charles Ross Winger, Toledo  
 Charles Arthur Winland, Jerusalem  
 Raymond Pete Winson,  
 North Ridgeville  
 LeRoy Harvey Witzel, Caledonia  
 Rosemarie Wolfinger, Lancaster  
 Michael D. Wood, St. Marys  
 Marie Elizabeth Zupcsan, Madison

#### Bachelor of Science in Food Technology

Six candidates

Elizabeth Rose Fogg, Newark  
 Jennifer Lynne George, Lebanon  
 Robert Louis Hosfeld, Wooster  
 Scott Douglas Jones, Sidney  
 Michael Alan Talbott, Athens,  
 Carol Jane Wierwille, St. Marys

#### Bachelor of Science in Nutrition

Eleven candidates

Susan Lynne Bates, Ashland  
 Bonnie Sue Glisson, Akron  
 Joseph Michael Incarnato, Dover  
 Dennis Arthur Kirk,  
 Florham Park, N. J.  
 John William McKinney, Piqua  
 Mark Edward Meyer, Marysville  
 Kenneth Eugene Milliser, Jr.,  
 Sugar Grove  
 B.A. (Ohio University)  
 Larry Joe Pennington, Tiffin  
 Marilyn Frances Quinby, Columbus  
 David Carl Taylor, Arcadia  
 Susan Elizabeth Wagener, Maumee

\* Also Master of Science, Graduate School

## School of Home Economics

### Bachelor of Science in Home Economics

One hundred and ninety candidates

Christina Joan Albu, Niles  
Joy Pamela Allen, Cuyahoga Falls  
Bonita Joene Barber, Delaware  
Laura Lynn Beach, Northfield  
Jane Ellen Beiler, Bellevue  
Jennifer Susan Berschet,  
South Charleston  
Cynthia Lynn Berwanger,  
Upper Arlington  
Janet Holton Betz, London  
Deborah Lynn Bingham, Gallipolis  
Linda Marie Blymyer, Lima  
Teresa Lynn Boak, Troy  
Cheryl Ann Bollinger, Mt. Vernon  
Susan Malone Bostick, Columbus  
Cynthia Sue Bovard, Utica  
Brenda Gail Boykin, Zanesville  
Denise Lynn Brehl, Columbus  
Mary Ellen Briggs, Perrysburg  
Alison Anne Brown, Euclid  
Mary Susan Burkey, Marietta  
Sharon Elaine Butz, Columbus  
Jean Ann Campbell, Fredericktown  
Ann Elizabeth Canty, Columbus  
Debra Ann Caplan, Warren  
Diana Louise Cardina, Akron  
Sally Marie Chevrier, Columbus  
Helen Wai-Kwan Chu,  
Kowloon, Hong Kong  
Cheryl Claire Citino, Cleveland  
Ruth Ann Clementz, Kalida  
Cheryl Beverly Coates, Youngstown  
Vicki Lee Cochran, Mt. Vernon  
Lorraine Anntoennette Cook, Parma  
Ellen Lynne Cox, Adams Mills  
Brenda Lynn Craft, Fairfield  
Kathryn Cross, Fairborn  
Roberta Anne Cross, Wooster  
Cynthia Jean Crowner, Worthington  
Barbara Jean Davis, Venedocia  
Kathy Lee Davis, Grove City  
Maryellen Delaney, Columbus  
Janet Deliz, Kenton  
Judith Marie Dempsey, Columbus  
Diane DeNaples, Kettering  
Mona Marie Dengg, Ramsey, N. J.  
Vickie Lynn Douglas, DeGraff  
Barbara Jean Dunn, Mansfield  
Janice Elaine Durham, Delta  
Marjorie Beth Dworkin, Columbus  
Bonnie Flint Dyas, Columbus  
Debra Sue Dyer, Bay Village  
Molly Anne Ellis, Dayton

Nona Stephanie Evans,  
Mingo Junction  
Karen Sue Ewalt, Fredericktown  
Polly Jean Faehnle, Columbus  
Tova Farkas, South Euclid  
Rona Nadine Feldman,  
Windsor, Ont., Canada  
Diana Berger Ferguson, Columbus  
Nancy Louise Flowers, Cincinnati  
Susan Amelia Galbos, Mentor  
Mary Uhler Gill, Cleveland  
Cheryl Jane Gillespie, Maple Heights  
Linda Sue Given, Columbus  
Michelle Yamanoha Glass,  
Hilo, Hawaii  
Wanda Dunkle Goss, Circleville  
Ronna June Gould, Cleveland  
Kay Marie Grimes, Orrville  
Sally Werner Gross, Wapakoneta  
Michele Linda Guy, Wadsworth  
Annette Mary Haban, Columbus  
Susan Marie Hare, Canton  
Hallie Dene Harlan, Amherst  
Mary Christine Harmon, Columbus  
Monica Casey Harrison, Columbus  
Jennie Lou Hayden, Newark  
Mary Kathryn Hendricks, Huron  
Patricia Ann Henry, Fredericktown  
Margaret Anne Hersman,  
Doylestown  
Deborah Suzanne Hertz, Miami, Fla.  
Julie Ann Heyl, Wheeling, W. Va.  
Karen Ann Hill, Worthington  
Rhonda Lynn Hill, Columbus  
Carolyn Rose Holley, Lakewood  
Patricia Jo Hoover, Fredericktown  
Elizabeth Chrysler Hosta, Columbus  
April Denise Huffman, Columbus  
Carol Jean Hunsucker, Eaton  
Cynthia Ann Hunter, Dayton  
Kathy Jean Jackson, Delaware  
Rebecca Faye Justice, Sunbury  
Becky Diane Kabbes, Springfield  
Kathy Lynn Kaufman, Cincinnati  
Linda Joyce Kelly, Cleveland  
Kristin King Kennedy, Fairborn  
Jennifer Lynne Kies, Bellefontaine  
Lucia Ann Kirby, Snellville, Ga.  
Jane Marie Knapp, Columbus  
Susan Elizabeth Koesterer, Stow  
Carolyn Sue Kosier, Ludlow Falls  
Susan Elizabeth Kozak, Seven Hills  
Rebecca Darlene Krause, Columbus  
Beverly Eakin Krill, Edgerton  
Karen Louise Kuck, New Bremen  
Marcia Lynn Kuhr, Dayton  
Michelle Eileen Lee, Worthington  
Linda Lou Leiser, Lindsey  
Kathy Marie Lemmel, Shiloh

Linda Marlene Leshner, New Bremen  
Lee Anne Littlecott, Toronto  
Karen Purdy Lonsinger, Mt. Vernon  
Kay Louise Louderback, Marion  
Mary Elyn Lownik, Lakewood  
Susan Kay Luch, Wintersville  
Diana Lynn Maleski, Seven Hills  
Anita Marie Maltinsky, Minster  
Kathleen Ann Mason, Euclid  
Sharon Kay Mason, Ironton  
Marianne Mazzaferri, Brewster  
Melinda White McClure, Barnesville  
Phyllis Ann McVey, Painesville  
Karin Ann Melick, Zanesville  
Betsey Ernst Michael, Columbus  
Diane Nancy Michael, Columbus  
Sandra Kay Miller, Lakewood  
Susan Ann Minnich, Kettering  
Vicki Jamison Miracle, Lima  
Danielle Michele Molnar,  
North Olmsted  
Monica Skelley Moore, Coshocton  
Mary Rumpalik Moritz, Worthington  
Nancy Sue Neds, Columbus  
Deborah Jo Oliverio, Columbus  
Cynthia Louise Omspach, Lowell  
Briggett Kirwin Orsborn, Columbus  
Vicki Rae Patrick, New Boston  
Margaret Cecelia Pawsey, Fremont  
B.A. (Grace College)  
Nancy Ellen Pekarek, Chagrin Falls  
Barbara Jane Perri, Worthington  
Carolyn Sue Perry, Urbana  
Randi Ellen Plank, Columbus  
Avelyn Eugene Popp, Westerville  
Diane Marie Powers, Genoa  
Patricia Anne Powers,  
Birmingham, Ala.  
Roberta Ann Probst, Loveland  
Oksana Katherine Pukacz, Parma  
Anthony James Quitar, Columbus  
Daniel Carl Ramga, Jackson Center  
Glenna Marie Rammelsberg,  
Westerville  
Vicki Marlene Randall, New Knoxville  
Connie Lynn Rausch, Columbus  
Deborah Jane Rhodes, Columbus  
Sandra Jane Rhonemus, Aberdeen  
Jacqueline Ann Rini, Portsmouth  
Jogi Tirez Roe, Hillsboro  
René Jessie Rosen, Mansfield  
Donna Beth Rosenstock,  
Pittsburgh, Pa.  
Debra Ann Ross, Dayton  
Kathleen Rouan, Zanesville  
Debra Lynn Rowland, Lima  
Lynda May Sallach, Chesterland  
Justine Martin Santschi, Marion  
Peggy Ann Schobert, Akron

Barbara Ann Sebastian,  
Fairview Park  
Karen Conard Seward, Mt. Vernon  
Deborah Kay Sheets, Lynchburg, Va.  
Barbara Sherman, Cleveland  
Mary Anne Skinner, Columbus  
Judith Ann Sniderman, Youngstown  
Ricki Lee Solomon, Akron  
Valerie Jean Staranko,  
Belle Vernon, Pa.  
Sandra Kay Stone, Columbus  
Rebecca Cole Tapola, Radnor  
Debra Lea Tartell, Reynoldsburg  
Marcia Thames, Sandusky  
Patricia Ann Thomas, Edon  
Jan Maudslien Treichler,  
Seattle, Wash.  
Jannine Marie Trotto, Euclid  
Ann Gerarda Urig, North Ridgeville  
Jane Louise Urmsdon, Hamilton  
Janet Anne Waddell, Leesecreek  
Barbara Starbuck Welch, Hillsboro  
Cynthia Jane White,  
Middleburg Heights  
Kathleen Miriam Wiles, Wooster  
Doris Teresa Wilhelm, Cincinnati  
Carol Ann Wilson, Columbus  
Analie Lynn Wolfe, Curtice  
Karen Loeb Wolfinger, Lancaster  
Kathleen Rose Wolkan, Alliance  
Margery Ann Wourms, Dayton  
Carole Sue Yetzer, Shelby  
Diane Marie Yost, Dayton  
Mary Falkenbach Zartman, Columbus  
Carla Joan Zimmerman, Wooster

**Bachelor of Science in  
Restaurant Management**

Seven candidates

Kay Douglas, Toledo  
Stephen James Giltz, Toledo  
Edward Joseph Hulme, Youngstown  
Kalin Harry Johnson,  
Mississauga, Ont., Canada  
Jon William Merz, Wadsworth  
John Dee Stacy, Columbus  
Thomas A. Wolfe, Negley

**School of Natural Resources**

**Bachelor of Science  
in Natural Resources**

One hundred and one candidates

Randall Scott Arndt, Fremont

William Thomas Baker, Killbuck  
James Roger Barborak, Xenia  
Thomas Eldon Barnhill, Columbus  
Patricia Ann Barron, Worthington  
John Joseph Barry, Roebing, N. J.  
Lawrence James Bartolac, Columbus  
Keith Allan Blatner,  
Gowanda, N. Y.  
Gary Edward Bowman, Creston  
Douglas Mike Brandenburg, Dayton  
Thomas John Bresko, Youngstown  
William Thomas Bridgeland,  
Olmsted Falls  
David William Briggs, Marengo  
Elizabeth Gail Bryant, Waynesville  
Mark William Burket, Tallmadge  
Douglas Noel Clayton, Carroll  
Edward Joseph Coughlin, Columbus  
Carl Andrew Cozza, Windsor, Conn.  
Gary Stephen Cretcher, Dayton  
Douglas Floyd Davisson, Fremont  
John Francis Donohoe, Columbus  
Keith Alvin Edwards, Quincy  
Daniel Edward Eggan,  
New Philadelphia  
Larry Marshall Fezell, Portsmouth  
B.A.  
Gerald William Geise, Delphos  
Christopher John Green, Westlake  
Benjamin Jay Harman, Brookville  
Michael Allan Henry, Greenville  
Thomas John Hersland, Toledo  
Shirley Marie Hoh, Toledo  
Gary Jay Horn, Columbus  
David Allen Houck, Johnstown  
Michael Conrad House, Westerville  
Michael John Humenik,  
North Olmsted  
John Douglas Johnson, Cincinnati  
Carl Grover Jones, III, Columbus  
Ricky Lee Jones, Columbus  
Marlene Elizabeth Kanner, Cleveland  
Mark Howard Keller, Reynoldsburg  
Robert Alan Kline, Centerville  
Duncan Childs Knobloch,  
Bernardsville, N. J.  
David Gordon Knowles, Williamsfield  
James Carroll Long, Columbus  
Robert Allen Loomis, Berea  
Robert Calhoun Lowry, Euclid  
Alan Joseph Maresh, Twinsburg  
Geoffrey John Maskow, Seven Hills  
Kevin Bruce McKee, Carey  
Danny Lee Mercer, New Philadelphia  
Nancy Falbo Michael, Columbus  
Rosanne Marie Miesse, Columbus  
Terry Russell Miller, Mansfield  
Gregory Dale Mills, Mt. Vernon  
Michael Lee Morris, Columbus

Robert Howard Moxley, Cleveland  
Dale Rene Newell, Vincent  
Theodore Herbert Nicol, Marysville  
Lyle Jay Oberhaus, Oregon  
Thomas Michael Orlowski,  
North Olmsted  
Candace Lynne Orr, Wellington  
Gregory Allen Peitz, Columbus  
Joseph Aloysius Reinhard, Galloway  
Richard James Reynolds, Springfield  
Rocco James Rich, Canton  
Milton Duncan Rinehart, Columbus  
David William Rothenbach, Cincinnati  
Larry Ray Rush, Marion  
Andrew Mark Russell, Portsmouth  
Wanda Jones Samples, London  
William Elton Sargent, Sheffield Lake  
Richard Allen Scarberry, Columbus  
Charles Merle Schmid, Euclid  
Rodney Kent Schmidt,  
West Alexandria  
Karl Phillip Schneider, Columbus  
Jane Carol Schwemley,  
Virginia Beach, Va.  
Jeffrey Evert Sell, Canton  
Michael Robert Shafer, Marion  
Robert Eugene Shenk, Cridersville  
Lisbeth Ann Smithers, DeGraff  
Garry Charles Stelljes, Columbus  
Mark Evan Storer, Columbus  
Raymond Anthony Strekal, Athens  
Daniel Robert Svoboda,  
Garfield Heights  
Steven Walter Tigges, Columbus  
Donald John Virgovic, Lakewood  
Stephen Allan Vivian, Columbus  
Randall James Volheim, Columbus  
Loren Anthony Von Gundy,  
New Richmond  
Patricia Anne Wagoner, Ashtabula  
Charles Richard Wallingford, Peebles  
James Monroe Ward, Bellefontaine  
Susan Lee Warkentin, Swanton  
Randall Lee Wiesenmayer, Lima  
Michael Lee Wigginton, Whitehall  
Roger Allen Wilhelm, Cincinnati  
Douglas John Williams, Cincinnati  
Marc Philip Wise, Columbus  
Jennifer Ruth Young, Chagrin Falls  
Eric Henry Zether, Elkview, W. Va.  
Richard LeRoy Zirn, Fremont  
Frank Tony Zwolinski, Mantua

\* Also Bachelor of Science in Education,  
College of Education

## **Agricultural Technical Institute—Wooster**

### **Associate of Applied Science Degree**

One hundred and sixteen candidates

James Charles Able, Akron  
Robert Charles Arnold, Columbus  
Frederick Hale Aylsworth, Shreve  
David William Baggett, Bucyrus  
Donna Cole Baker, Columbus  
Jerry Lee Barbee, Covington  
Samuel Jay Bard, Clyde  
Kathy Jo Beitzel, New Philadelphia  
Gregory Ray Booher, Coshocton  
Judy Renee Boone, Berea  
Richard Eldon Bosse, Ada  
James Edward Brady, Lakewood  
James Frederick Brautigam,  
Wapakoneta  
Ronald W. Caughron, Akron  
Anne Christine Charlton, Newbury  
Susan Frances Choma,  
Manchester, Conn.  
Pamela Kay Cordes, Middletown  
Arthur Eugene Cox, Richmond, Ind.  
Charlotte Diane Crowther, Canton  
Allen Dale Decker, Homeworth  
Leonard Paul Dembski,  
West Jefferson  
Daniel Thomas Demyan, Elyria  
Gregory K. Depas, Sharon Center  
James Lewis Dieter, Litchfield  
Timothy Andrew Dowden, Centerburg  
Donald Allen Drummond, Clarksburg  
Connie Alana Dunn, Negley  
Richard Louis Endres,  
New Philadelphia  
Linda Luu Farnsworth, Wadsworth  
David Allen Fisher, Lucas  
Susan Gail Garwood, Collins  
Charles Gregory Hagedorn, Cincinnati  
Lee Alan Haines, Louisville  
Linda Rae Harmon, Hamilton  
Jeffrey Alan Hassler, Shelby  
Carolyn Lea Hays, Coshocton  
Kenneth Richard Heltemes, Cincinnati  
Deborah Kaye Herold, Alliance  
Richard Jerome Herr, Wooster  
David Leroy Hofacre, Dalton  
Robert Kay Hofer, Freeman, S. D.  
Paul Hudak, Berea  
Aimee Susanne Huston,  
Syracuse, N. Y.  
Jon Robert Johnson, Kidron  
Mark William Johnson, Cincinnati  
Victoria Jeanne Johnson, Oak Harbor

Stephen Lee Jones, Sebring  
Diana Marie Kaeck, Wapakoneta  
Michael Dean Kauffman, Wooster  
Bruce Allen Kerns, Medina  
Garry Robert Kibler, Warren  
Edward William Kiefer, Coshocton  
Ruth Ann Knipp, Napoleon  
Richard Arden Kress, Massillon  
Thomas Walter Kuss, Kent  
Lorraine Kay Lanzer, Parma  
Jacqueline Sue Leath,  
Washington C. H.  
William Ira Lee, Jr., Mansfield  
Nora Andrea Lindberg, Toledo  
Karyl Lynn Mack, Sheffield Village  
George Vincent Madden, Columbus  
Dana Brant Madsen, Painesville  
James David Marr, Wooster  
Ronald Eugene Martin,  
Enon Valley, Pa.  
Charles David Matthews, Massillon  
Joyce Irene McAllister, Fresno  
Steve William McCoy, Elyria  
Donald James Megert, Strasburg  
John Lee Messerschmidt, New Concord  
Frederick James Miller, Bucyrus  
Jay Arthur Miller, Beloit  
Jeffrey Lee Miller, Bridgeport  
Rollin Brent Miller, Big Prairie  
Rebecca Lou Niemann, Webster, N. Y.  
Jennifer Lang Otterson, Burton  
John Charles Prusa, Avon Lake  
Ricky Clay Pyles, Wooster  
Edwin George Ramby, Dayton  
Mary Katherine Reed, Woodsfield  
Debra Ann Ries, Marion, S. D.  
Cindy Lou Rigsby, Hilliard  
Lisa Anne Ritchie, Strongsville  
Gene Harold Ross, Doylestown  
Mary Ann Rozum, Euclid  
Michael Eugene Rupp, Wauseon  
Debra Ann Sauernheimer, Stone Creek  
Ronald Meriin Schulte, Genoa  
Herbert Cal Sherman, Warren  
Mark Joseph Siedel, Strongsville  
Sara Catherine Siman, Spencer  
Jeffrey Arden Smetzer, Bellevue  
Cheryl Lynn Smith, Kettering  
James Allan Smith, Sycamore  
Valerie Jane Snyder, Wooster  
Timothy Lowell Specht, Sugarcreek  
James Roy Springer, New Washington  
Joseph Kevin Squier, Franklin  
Rebecca Sue Stanley, Sandusky  
James Mitchell Stein, Wooster  
John Luther Steiner, Canton  
Sara Ellen Stillings, Galion  
Carol Ann Stolfo, Cuyahoga Falls

Marie Theresa Stritzel,  
Columbia Station  
Sharon Dianne Strouse, Wooster  
Dale Russell Terpening, Collins  
Richard Allen Thomas, New London  
Rebecca Diane Uhl, Mansfield  
Alice Jane Wagner, Canal Fulton  
David George Wagner, Westlake  
Nelson Eugene Ward, Jerusalem  
Robert Joseph Wargo, Caldwell  
Bruce Allen Weeman, Orrville  
Penny Lee Weiss, Strongsville  
Brian Neil Welly, Jenera  
Terry Weygandt, Wooster  
Warren Allen Wright, Milford

Page 560 Blank



## College of Dentistry

Acting Dean: William R. Wallace

### Certificate of Graduate Dental Hygienist

Seventy-eight candidates

Joanne Louise Alex, Westerville  
Kay Frances Allen, Washington C. H.  
Patrice Marie Anderson, Columbus  
‡ Alexandra Armstrong, Cleveland  
‡ Edward George Babits, Jr.,  
Cleveland  
Donna Kay Baird, Columbus  
‡ Anne Good Banta, Lewisburg  
Elaine Marie Barnes, Zanesville  
Deborah Ann Biniker, Toledo  
‡ Kathy Virginia Brisley, Granville  
Kathy Jean Brown, Piqua  
Brenda Jane Clark, Bay Village  
Carol Ferguson Cooper, Evanston, Ill.  
A. A. (Kendall College)  
Deborah Kay Davis, Columbus  
Melanie Sue Deckard, Columbus  
Beth Ann Dougherty, Galion  
Nancy Rae Egger, Springfield  
‡ Anne Dawson Eginton, Akron  
‡ Martha Anne Frye, Poland  
Susan Marie Galicki,  
Richmond Heights  
Alicia Maria Gargallo,  
Homestead, Fla.  
Sally Ann Gilbert, Columbus  
Diana Jean Gordon, Columbus  
Donna Belinda Grant, Cincinnati  
Ava Diane Guider, Columbus  
Martha Clare Hablitzel, Port Clinton  
B.A.  
‡ Deborah Lee Hassler, Cincinnati  
Laurie Ann Hedges, Prospect  
‡ Kathleen Elizabeth Hemker,  
Kettering  
‡ Phyllis Jean Hughes, West Milton  
Shayla Lynne Ibe, Berea  
Nannie Kay Jordan, Oregon  
Michelle Kimble, Lima  
‡ Mary Melinda Kirsch, Brookfield  
Lynn Susan Kuhnappel,  
North Ridgeville  
‡ Deborah Anne Kurtz, Encino, Calif.  
Linda Coyne Laughery, Newark  
Barbara Ann Leatherman, Napoleon  
Linda Kay Markley, Mansfield  
Susan Jo Massaro, Columbus  
Mary Susan McElroy, Findlay  
Debra Lynn Miner, Belpre  
Lizabeth Ann Mooney, New Lexington  
‡ Pamela Jean Nelson, Columbus  
‡ Carol Louise Niehaus, Milford  
Julie Ann Nishimura, Kettering  
Janine Norris, Berea  
Denise Renae Orahoske, Cambridge  
Susan Ellyn Pearson, Mentor

‡ Laurel Lynne Phillips, Columbus  
Lynn Ann Porterfield, Columbus  
‡ Karen Ann Ragaji, Barberton  
Donna Lue Richardson, Columbus  
Judith Ellen Rohrer, Defiance  
Nancy Lynn Salhoff, Upper Sandusky  
Susan Jane Selogy, Canton  
‡ Roberta Brengman Shreyer,  
Lancaster  
Jennifer Jay Shutt, Upper Arlington  
‡ Debra Lynn Sklenar, Columbus  
Mary Ann Soto, Joppa, Md.  
‡ Karen Lee Spring, New Philadelphia  
Kathie Jo Springer, Bloomingdale  
Susan Carole Steinberg, Cincinnati  
‡ Barbara Draus Straumanis,  
Columbus  
Joyce Ann Summersett, Delphos  
Cynthia Elisa Suso, Akron  
Sandra Marie Taddeo, Mansfield  
‡ Chris Ann Tooker, Reynoldsburg  
‡ Deborah Louise Townsend, Canton  
Lisbeth Ellen Walter, Warren  
Denise Kaye Wigor, Columbus  
Dana Jo Williams, Martins Ferry  
Susan Catherine Williams,  
North Canton  
Cynthia Ann Wilson, Canfield  
Johnena Irene Wilt, Wilmington  
‡ Cheryl Loy Witzky, Mansfield  
‡ Jacqueline Denton Wollam,  
Columbus  
Jayne Ellen Zimmerman, Defiance

‡ Also Bachelor of Science in Education,  
College of Education  
‡ Also Bachelor of Arts, Colleges of the  
Arts and Sciences

Page 562 Blank

## College of Education

Dean: Frederick R. Cyphert

### Bachelor of Science in Education

Five hundred and ninety-seven candidates

Philip Matthew Ackerman, Lewisville  
Jacqueline Yvette Addison, Columbus  
Georgiana Lynn Ade, Mansfield  
Pamela Kay Adell, Shaker Heights  
Christina Rhonemus Alexander, Lancaster  
Deborah Jeanne Allen, Bedford  
Terry Christine Allen, Xenia  
Jannice Evelyn Alvaney, Bryan  
Colleen Kaye Anderson, Marion  
Dennis Lee Anderson, Canton  
Lenard Leroy Andrews, Columbus  
Dacia Luckhart Ankrom, Circleville  
Roben Sue Ardito, Cortland, N. Y.  
Bruce Wayne Armstrong, Shelby  
David Walter Arnold, Waterford  
Gary Eugene Asche, Sterling  
Joseph Eugene Aseff, Cleveland Heights  
Charles Robert Ausman, Cincinnati  
Patricia Ann Bach, Dayton  
Ellen Beth Bachman, Parma  
Mary Jane Cisco Bacome, Cridersville  
Judith Switzer Baird, Pataskala  
Debra Ellen Baker, Columbus  
Teresa Roach Baker, Columbus  
Daniel Steven Balash, Euclid  
Joseph Benton Baldasare, Columbus  
Jane Elaine Ballenger, Marion  
Joan Marie Bamer, Parma  
Sharon Bickel Bardus, Columbus  
Sara Virginia Barnes, Circleville  
Lynette Sue Bartell, Graytown  
Robin Lee Bartels, Columbus  
Melody Sue Bascom, Pataskala  
Amy Diane Baumgarten, South Euclid  
Martha Brandon Beaver, Westerville  
Sharon Riley Bechtel, Kenton  
Paul Leslie Beck, Perrysville  
Marvin Beuthimer, Columbus  
Elizabeth Jane Beery, Lima  
Mary Jane Beining, Ottawa  
Vonda Hale Bell, Delaware  
Sharon Kay Bellomy, Dayton  
Mildred Edna Bemer, Cleveland  
Steven Earl Bennington, Cridersville  
Jane Snider Benz, Thornville  
Donna Jean Berger, Newark  
Raymond George Berilla, Cambridge  
Richard Allan Billingsley, Columbus B.A.  
Judy Ann Binggeli, Olmsted Falls  
Charles Robert Biro, Columbus B.A.  
Melissa Gene Bishop, Akron  
Kathleen Bizzarri, Cincinnati  
Jean Frances Black, Parma  
Malinda Jo Black, Poland  
Janice Marie Blankemeier, Leipsic  
Debra Ann Blazak, Broadview Heights  
Janet Rose Blicher, Warren  
Beth Anne Boggs, Columbus  
Jane Elizabeth Bogstie, Springfield  
Kimerly Sue Bond, Akron  
Dixie Bowers Booth, Coshocton  
Jeffrey Lynn Booth, Amsterdam  
Teresa Ann Bowman, Columbus  
Scott Lee Brader, Columbus  
Judith Ann Bradford, Columbus  
Alan Young Brady, Oberlin  
Daniel Alan Branstrator, Convoy  
Michael Ferrell Bray, Shiloh  
Claudia Louise Bricker, Columbus  
Carolyn Louise Briddle, Roselle, N. J.  
Donald Kenneth Brooks, Columbus  
Suzanne Brubaker, Dayton  
Robert Earl Bunnell, Fredericktown  
Joann Elaine Burkholder, Bluffton  
Cramer Lee Burks, London  
John Williams Burton, New Shrewsbury, N. J.  
David James Bush, Bucyrus  
Peggie Ann Bushelman, Cincinnati  
Lynette Marie Bushong, Dunkirk  
Carol Longstreth Butler, Bellville  
Barbara Fleming Butts, Mansfield  
Susan Kathryn Byrnes, Upper Sandusky  
David Myron Caldwell, Newark  
Denise Sue Camens, Youngstown  
Martin Edward Carcich, Fairview, N. J.  
Cynthia Gayle Carper, Louisville  
Cathy Louise Carr, Fairborn Cert. Grad.Dent.Hyg.  
Mark Allen Carter, Gahanna  
JoAnn Madigan Casaday, Columbus  
Louis Eugene Casperson, Columbus  
Marlene Kay Catlos, Salem  
Leslie Gail Caulkins, Columbus Cert. Grad.Dent.Hyg.  
Elizabeth Moore Cheney, Columbus  
Shelley Ann Clark, Lima  
Rick Clauder, Columbus  
Brenda Walker Clement, Piqua  
Robert Carson Cochran, Whitehouse  
Diana Irene Cohen, Dayton B.A.  
Gregory Allen Colegate, Harrison  
Jack Gary Coleman, Columbus  
Virginia Rieke Combs, Columbus  
Elizabeth Susan Condi, Hendersonville, N. C.  
Willard Edgar Congrove, Jr., Galena  
Michael Joseph Connery, Columbus  
Raymond Patrick Connolly, Ashland  
Blair Michael Conway, Middleburg Heights  
Barbara Ashcraft Cook, Columbus  
Barbara Lee Cook, Chattanooga, Tenn.  
Nancy Ann Cook, Sparta, N. J.  
Pamela Cockerell Cook, Fort Jennings  
Irene Luidhardt Cooper, Elida  
Stella Kanellos Cooper, Columbus  
Constance Hitchner Cornwell, Lima  
Rose Mariani Cost, Granville  
Vicki Lynn Coultas, Zanesville  
Dennis Charles Courtheyn, Augusta  
Marilyn Furbee Cox, Thornville  
Janis Scott Crandell, Toledo Cert. Grad.Dent.Hyg.  
George Robert Crapser, Groveport  
\* Carol Buck Craven, Columbus  
Deborah Hill Crawford, Worthington  
Teddy Owen Creasap, Prospect  
Jeanne Belle Crislip, Painesville  
Arlene Hemmerly Crooks, Van Wert  
Wayne Edward Cruze, South Euclid  
Thomas Alan Cullinan, Columbus  
Sherrill Williams Cumming, Columbus  
Daniel James Cutillo, East Massapequa, N. Y.  
Donald William Daffner, Macedonia B.B.A. (Kent State University)  
Toni Charmagne D'Aiuto, Columbus  
Michael David Dale, Columbus B.A.  
Joseph Anthony Damico, Columbus B.A.  
Mark James Daniels, Columbus  
\* Marguerite Ann Daugherty, Columbus  
Betty Eul Davis, Columbus  
Blair Jeffrey Davis, Columbus B.S.A.A.E.  
Jeffrey Mark Davis, Columbus  
Samuel Eugene Davis, Columbus  
Vicki Lynn Davis, East Rochester  
Sandra Charlene Day, Hilliard  
Beverly Spittler Dean, Worthington  
George Robert Dean, Jr., Columbus  
Roberta Burns Dechert, Columbus  
Mary Jo DeFrank, North Olmsted Cert. Grad.Dent.Hyg.  
Jeri Ann Deluse, West Chester  
Keith Jay Denman, Marion  
Deana Baker Detwiler, Edison

\* Also Bachelor of Arts. Colleges of the Arts and Sciences

Pamela Israel Dick, Columbus  
 Richard Jack Dickert, Parlin, N. J.  
 David Michael DiPietro, Columbus  
 Lewis Engene Dodley, Columbus  
 Steven Allen Doepker, Ottawa  
 B.S. (University of Dayton)  
 Judith Lemmons Dolick, Coshocton  
 † Diana Domoracki, Solon  
 Dawn Clark Downey, Cridersville  
 Pamela Jean Drabek, Rocky River  
 Marion Houser Dragani, Columbus  
 Claudia Dubois, Cincinnati  
 Anne Elizabeth Duffy, Cuyahoga Falls  
 Debra Lynn Duhrkopf, Worthington  
 Joni Lynn Duncan, Kettering  
 Patricia Ann Dunkley, Dayton  
 Beverly Ann Dunlap, Anna  
 Debra Ann Dunlap, Seio  
 Susan Wilkinson Eberhard,  
 Pickerington  
 Cert. Grad. Dent. Hyg.  
 Diane Faye Eckels, Perrysville  
 Jack Harold Edwards, Grove City  
 Lynne Fischer Edwards, Columbus  
 † Daniel Edward Eggan,  
 New Philadelphia  
 Rosemary Schroeder Ellerbrock,  
 Columbus Grove  
 Patricia Kaeber Epley, Worthington  
 Jody Ellen Equi, Cincinnati  
 Barbara Ann Erhardt, Cincinnati  
 Anita Jane Evans, Louisville  
 Anne Fabry, Shrewsbury, N. J.  
 Jerry Murle Fairall, Frazeytsburg  
 Carla Joan Faulkner, Vandalia  
 Alice Gray Fenton, Columbus  
 Jeffrey Thomas Ferriell, Columbus  
 Geri Renee Fishman, Cincinnati  
 Cert. Grad. Dent. Hyg.  
 Lenore Elissa Fishman,  
 Cleveland Heights  
 Karen Louise Fordyce, Elmhurst, Ill.  
 Cert. Grad. Dent. Hyg.  
 Christal Lynnette Foster, Columbus  
 Margaret Mitchell Foster, Columbus  
 Robert Anthony Fowle, Lancaster  
 Marsha Lee Fox, Omaha, Neb.  
 Susan Elizabeth Fox, Sylvania  
 Cert. Grad. Dent. Hyg.  
 Adrienne Marie Freeman, Columbus  
 Janet Pugh Freeman, Columbus  
 Aven Marie Fridley, Anna  
 † Martha Anne Frye, Poland  
 Jacelen Fuller, Conneaut  
 Louise Eleanor Furjanic, Brooklyn  
 Michelle Ann Gack, Decatur, Ga.  
 Nancy L. Gaertner, Worthington  
 B.A. (College of Saint Rose)  
 Elizabeth Sharon Gafke, Logan  
 Richard Thomas Galbos, Mentor  
 Linda Kathleen Garwood, Bellevue  
 Richard David Gaulke, Reynoldsburg  
 Carol Faye George, Fulton  
 Melinda Louise Gesler, Lima  
 Janet Diann Gibson, Xenia  
 B.A.  
 Deborah Crow Gilkey, Columbus  
 Cert. Grad. Dent. Hyg.  
 Lisa J. Zimmerman Gleason,  
 Columbus  
 Gerald Thomas Glenn, Columbus  
 Linda Sue Glessner, Anna  
 Richard Lewis Glover, Kettering  
 Karen Kinney Goff, Bellefontaine  
 Richard James Goodrich, Galena  
 Thomas Patrick Gordon, Columbus  
 Shellie Ann Gottesman, South Euclid  
 Carol Ann Graham, Columbus  
 Carolyn Anne Grasso, Columbus  
 Carolyn Kulina Graves, Columbus  
 Sally Jane Greene, Bedford Heights  
 Becky Hewson Grimes, Worthington  
 Allen Howard Gross,  
 University Heights  
 Susan Born Grote, Columbus  
 Charlene Eaton Grubbs, Columbus  
 Rebecca Ledford Gustin, Marion  
 Kathleen Ann Guy, Columbus  
 Vickie Ann Hahn, Newark  
 Angela Lu Halbedel, Newark  
 Chester William Hall, Jr., Columbus  
 Rose Kegler Halloran, Columbus  
 Harriet Lynne Halpern,  
 Philadelphia, Pa.  
 Vicky Lee Hance, Casstown  
 Joan Bennett Hanna, Frazeytsburg  
 Debra Brunner Hanson, Mt. Vernon  
 Kenneth Leebriek Harding, Columbus  
 Jill Warner Harmer, Columbus  
 Reed Kenneth Harney, Columbus  
 Mary Denise Harris, Piqua  
 Cheryl Ann Harrison, Newark  
 LaVonne Louise Hartney, Akron  
 Pamela Joy Hastings, Kettering  
 Esther Marie Haubert, Marion  
 James Vincent Hayden, Newark  
 Patricia Colleen Hazlett,  
 St. Louisville  
 Rhonda Lee Heiby, Celina  
 Mark Alan Heineman, Elmore  
 Beverly Boggs Heintz, Columbus  
 Susan Maxine Henle, Cleveland  
 William Michael Henry, Lewiston, Pa.  
 Kevin Andrew Hensel, Marion  
 Barbara Ann Hergatt, Ontario  
 Anita Sciarini Heys, Columbus  
 Mary Lou Hicks, Reynoldsburg  
 Mary Ann Higgins, Canal Fulton  
 Patricia Zimmerman High,  
 Columbus Grove  
 Martha Lynne Hill, Worthington  
 Cert. Grad. Dent. Hyg.  
 Todd Alan Hill, Columbus  
 Harry Wayne Himelright,  
 Cuyahoga Falls  
 Harold Charles Hines, Prospect  
 Michael Thomas Hines, Columbus  
 John Kevin Hipolit, Cincinnati  
 Linda Marie Hoehn, Cloverdale  
 Russell Isaac Hoffses, Columbus  
 B.S. (University of Maine)  
 Ruth Ann Hollaway, Waldo  
 Marsha Kay Hollingshead, Newark  
 Ralph Bunche Holloway, Oberlin  
 Carol Jean Holt, Newark  
 Sue Ellen Holtsclaw, Woodsfield  
 Deborah Ann Hopkins, Fairborn  
 Susan Katherine Howard, Columbus  
 John Michael Howe, Beavercreek  
 Marilyn Austa Howren, Youngstown  
 James Andrew Hrach,  
 Cleveland Heights  
 Carla Ann Huff, Troy  
 Janet Anne Hughes, Marion  
 Donna Freese Humbert, Marion  
 Kathryn Marie Hunt, Marion  
 Thomas Harold Huss, Toledo  
 Judith Mary Hyde, Fairview Park  
 Randy Wayne Hyde, Columbus  
 Rebecca Lee Iceman, Wooster  
 Janice Carol Irwin, Westerville  
 Steven Craig Jackson, Sidney  
 Carla Sue Jacobs, Waynesfield  
 Maren Kay Jacoby, Dayton  
 Margaret Ann Johns, Cleveland  
 Beverly Sue Johnson, Pataskala  
 John Paul Johnson, Columbus  
 Linda Anne Johnson, Newark  
 Genevieve Rachwal Jominy, Westerville  
 Peter Michael Junk, Columbus  
 Linda Greenberg Justmann, Columbus  
 Gary Michael Kagaris, Mogadore  
 Antoinette Catherine Keller,  
 Strongsville  
 Catherine Randall Kelso, Columbus  
 B.S.  
 Virginia McGrew Kempton, Columbus  
 John Michael Kennedy, Lexington  
 David Lance Kinnard, Columbus  
 Teressa Smith Kitchen, Lima  
 Jutta Erica Christa Klebow,  
 Brunswick  
 † Also Bachelor of Fine Arts, Colleges of the  
 Arts and Sciences  
 † Also Bachelor of Science in Natural  
 Resources, College of Agriculture and Home  
 Economics  
 † Also Certificate of Graduate Dental  
 Hygienist, College of Dentistry

- Marilyn Gillivan Kmetz, Columbus  
Dennis Michael Kondrich, Lakewood  
B.S.
- Maralyn Kennedy Korner, Bucyrus  
Christie Ann Kramb, Fostoria  
Anne Kreinbihl, Columbus  
James John Kunk, Dayton  
Deborah JoAnne Lander, Madison  
Nancy Kay Arndt Lanckton, Marion  
Karen Thompson Lann, Columbus  
B.A.
- Larry Edward Lantz,  
Gaithersburg, Md.
- Jeanne La Pierre, Wichita, Kan.  
Kay Jean Lauer, Prospect  
Cheryl Lynn Lawrence, Lima  
Julia Long Lawrence, Lima  
Laurie Lawson, Hollidaysburg, Pa.  
Cynthia Ann Lee, Columbus  
Jacqueline Jacobs Lee, Lima  
Patricia Krumlauf Lee, Columbus  
Samuel Albert Lehman, West Liberty  
John Francis Leonard, Columbus  
Carol Cramer Lewis, Cincinnati  
Cindy Lou Lewis, Heath  
Gary Lynn Lewis, Marion  
Susan Claire Liddy, Naperville, Ill.  
Debra Sue Lieberman, Canton  
Sharon Ann Lindenmuth,  
Germantown  
Marianne Theresa Linder, Columbus  
Marlene Fay Line, Waynesfield  
Gloria Ann Lombardi, Lyndhurst  
Christina Anne Longo, Steubenville  
\* Jonalyn Ellen Loughner, Lakewood  
Beth Louise Lovering, Ashland  
Laurie Jean Lucas, Marion  
Kimberly Ann Lueders, Cincinnati  
Cert. Grad. Dent. Hyg.  
Lois Jean Lust, Marion  
Carol Downey Luttner, Lima  
Betsy Pistoia Lutz, Dayton  
Cert. Grad. Dent. Hyg.  
Kay Elaine Lynch, New Carlisle  
Shirley Tessler Lytle, Columbus  
Jo Ellen Mack, Toledo  
Sharon Schaffer Mackey, Hannibal  
Joan Celie Mac Wood, Columbus  
Vicki Lynne Magill, Chillicothe  
Mary Pat Marchion, Fostoria  
Thomas Louis Marendt,  
Indianapolis, Ind.  
Judith Marsh, Fort Lee, N. J.  
Brenda Corbin Martin, Columbus  
Ann Virginia Maurer, Columbus  
Marilyn Jane May, Columbus  
Christine Lynn McBroom, Kettering  
Wayne William McCarty, Huron  
Thomas James McElligott, Findlay  
Beverly Godderz McFarland, Ottawa  
Karen Beatrice McGillivray,  
Parma Heights  
Kevin Lee McGonagle, Lima  
Elizabeth Elaine McKinley, Kenton  
Ann Faris McWilliam, Toledo  
Cert. Grad. Dent. Hyg.  
Barrie Lynn Miller, Marion  
Carla Jean Miller, Columbus  
Catherine Marie Miller, Miamiville  
Cert. Grad. Dent. Hyg.  
Cathy Joan Miller, Cambridge  
Lynn Christine Miller, Kettering  
Lynnette Marie Misko, Martins Ferry  
Travis Todd Moberly, Lima  
Rozann Judith Moehrman, Columbus  
Margaret Naum Moening, Lima  
Gary Clifford Mohr, Prospect  
Kathy Ilene Mohr, Groveport  
Frederick Edmund Monroe, Oberlin  
Craig Griffith Moore, Worthington  
Cynthia Jean Moore, Shreve  
Nancy Irene Morgan, Mt. Sterling  
Susan Kaye Morris, Piqua  
Marcia Gail Moss, University Heights  
Kathleen Ann Mulholland, Columbus  
Diane Lynn Mull, Newark  
Ann Therese Munger, Lima  
Karen Joyce Murphy, Mansfield  
Teresa Kathryn Murray, Columbus  
Gail Eugene Mutchler, Loudonville  
Ronald Walter Myers, Sunbury  
Paula Henry Napoli, Ashland  
\* Diana Jeanne Nelson, Solon  
† Pamela Jean Nelson, Columbus  
William Austin Nestlerode, Jr.,  
Columbus  
Patricia Louis Newhaller,  
Maitland, Fla.  
Kathy Sue Noll, Somerset  
\* Sheryl Elaine Nourse, Minford  
Dana Sue Obermiller, Dover  
Eugene Ronald Ochsendorf,  
Capon Bridge, W. Va.  
John Michael Offenbacher, Columbus  
Deborah Ann Onosko, Columbus  
Jean Marie Ontrop, St. Henry  
Francis Marion Orders, Westerville  
Pharo Osborn, Columbus  
Christy Dresbach Owens, Columbus  
Frederick Pague, Richeyville, Pa.  
Jeffery Palmer, Perrysville  
Karen Kowhasa Parr, Newark  
Beatrice Mary Parrish, Newark  
\* Senay Veethe Pasinler, Columbus  
Ida Adollorata Patacca, Columbus  
David Francis Patterson, Mansfield  
Steven Richard Paul, Columbus  
Tamara Marlene Pence, Columbus  
Robin Meri Perlin, New York, N. Y.  
Rachel Louise Perrault, Columbus  
Cecil John Petitti, II, Columbus  
Elaine Ann Petropoulos, Columbus  
Dianne Grace Petty, Grove City  
Cynthia Ellen Phillips, Columbus  
Janet Lynn Phillips, Youngstown  
Sarah Marlene Phillips,  
West Jefferson  
Marsha Kay Pierson, Logan  
Terry Freutel Pitchford, Columbus  
Cert. Grad. Dent. Hyg.  
Don Michael Polaski, Columbus  
Susan Kay Polsky, Lincoln, Neb.  
Terry Lee Pore, Fulton  
Carl Erb Poston, Columbus  
Donna Andrea Price, Columbus  
Imogene Louise Prichard, Lima  
Susan Anita Purtell, Leesburg  
Sandra Fowler Pyles, Heath  
\* Roger Kenneth Quillen,  
Newcomerstown  
Marjorie Lynn Raby, Brooklyn  
Susan Mary Racher, Columbus  
† Karen Ann Ragaji, Barberton  
Melinda Ann Raphael, Mansfield  
Ronald Wayne Ratliff, Pataskala  
Susan Holt Raub, Columbus  
Susan Jeanne Reed, Independence  
Daniel Jay Reid, Whitehall  
Patricia Carol Reidenbach, Canton  
William Joseph Reinbolt, Millbury  
Rose Marie Remec, Chesterland  
Richelle Renker, North Royalton  
Joan Elisa Rensi, Steubenville  
Timothy Ragon Rhode, Columbus  
B.S.  
Janice Lee Rice, Poland  
Timothy Walter Rickard, Westerville  
Charles Edward Rieser, Columbus  
Lucile Tyrer Riley, Newark  
Cathy Ann Rinesmith, Marietta  
Judith Ann Ritchey, Fredericktown  
Carolyn Diane Ritzman, Cambridge  
Charlene Robinson, Bucyrus  
Christine Ann Robles, Columbus  
Pamela Geer Rockefeller, Columbus  
Wanda Jean Rodgers, Columbus  
Katherine Bonfiglio Romaker,  
Cridersville  
Ronald Daniel Roof, Columbus Grove  
William Tod Roof, Columbus  
Lynda Green Roper, Marion  
Karen Lee Roth, Cincinnati  
Barbara Ann Rudy, Columbus  
Sandra Rupert, Columbus  
\* Also Bachelor of Arts, Colleges of the  
Arts and Sciences  
† Also Certificate of Graduate Dental  
Hygienist, College of Dentistry

Theodore Ruschmeyer, Columbus  
 Dan David Rusmiser, Beaver Dam  
 Richard Lloyd Russell, Botkins  
 Rebecca Ann Rutherford, Columbus  
 Charles Bruce Ruzicka, Chesterland  
 Maureen Binder Ryan, Columbus  
 Steven Raymond Sabo, Columbus  
 Kellie Jean Saladin, Lorain  
 Daniel Martin Salkiewicz, Lorain  
 Linda Sue Sandfield, Ashtabula  
 Sherry Dicus Sasarak, Mansfield  
 Jonathan Christian Sauer,  
 Washington C. H.  
 B.A. (Trinity College)  
 Garry Andrew Scarberry, Columbus  
 Nancy Henzy Schaller, Newark  
 Mary Lu Scheiderer, Marysville  
 Kenneth Leo Schneider, Columbus  
 Laura Rose Schneider, Beachwood  
 James Alan Schoenberger,  
 Upper Sandusky  
 Nancy Ann Erhart Schroeder, Leipsic  
 Judith Marie Schwinnen, Delphos  
 Richard Lee Scott, Ravenna  
 Craig Alan Seckel, Columbus  
 Joe Edward Seever, III, Delaware  
 Susan Spencer Sevitz, Lima  
 Mike Lynn Shelton, Prospect  
 Kathleen Norton Sherrick, Lima  
 Suzanne Virginia Shine, Dayton  
 Patricia Shingles, Akron  
 Daniel Gordon Shipley, Butler  
 Lynn Kirsch Shively, Lewisburg  
 Linda Kay Shockley, Columbus  
 Thomas Robert Shor, Milford  
 Patricia Lambert Short,  
 Mt. Dora, Fla.  
 †Roberta Brengman Shreyer,  
 Columbus  
 James Siegfried, West Jefferson  
 Stephen Eric Signoracci, Columbus  
 Ricky Lee Sigrist, LaRue  
 Frances Silva, Canton  
 Michelle Lynne Simon,  
 Highland Park, Ill.  
 Joyce Marie Siranovic, Youngstown  
 Celia Gerding Skurvid, Columbus  
 Cert. Grad. Dent. Hyg.  
 James Richard Slater, Columbus  
 Christy Richards Slavik, Bay Village  
 April Arbogast Smith, Belle Center  
 Barbara Ann Smith, Columbus  
 Cathy Ann Smith, Marietta  
 Polly Ann Smith, Mt. Gilead  
 Richard Dan Smith, West Lafayette  
 Sandra Callahan Snavely, Mansfield  
 Rebecca Lynn Snyder, Coshocton  
 Kathleen Tilley Soneckecker, Columbus  
 Robert Terry Sperling, Columbus  
 Susan Cox Spiker, Heath  
 Mary Ann Spillers, Columbus  
 Sandra McIntyre Spinosi, Columbus  
 Cheryl Carter Spreng, Ashland  
 Faith Suzette Spring, Elida  
 Linda Elnora Staley, Columbus  
 Daniel Joseph Stanich, Columbus  
 Paula Gayle Steele, Granville  
 Paul Richard Steger, Columbus  
 Cynthia Laman Steiner, Columbus  
 Richard Dale Stepputtis,  
 St. Clairsville  
 James Erskine Stewart, Columbus  
 Demaris Ann Stiles, Wapakoneta  
 Dane Harry Stitts, Columbus  
 Barbara Helle Stough, Millersport  
 B.S.  
 John Howard Stowe, Columbus  
 B.A.  
 †Barbara Draus Straumanis,  
 Columbus  
 Jon Patrick Sullivan, Kettering  
 Tina Marie Sullivan, Columbus  
 Carol Ann Sundry, Worthington  
 Ruth Wilkins Sunkle, Columbus  
 Dianne Ball Sutton, Newark  
 James Webster Thomas, III,  
 Columbus  
 Tonda Watt Thomas, Columbus  
 Daniel James Thornburg, Youngstown  
 Christie Herchline Timberlake,  
 Columbus  
 Ronald James Tirpak, Elyria  
 Hellen Cynthia Tolber, Columbus  
 Thomas Lee Tontimonia, Ravenna  
 †Chris Ann Tooker, Reynoldsburg  
 Bette Jean Tropek, Lima  
 Robert Lee Tschumper, Jr., Columbus  
 Grace Marie Tucker, Columbus  
 Sharon Ervin Turner, Baltimore  
 Marion Anita Unbereit,  
 Windham, N. H.  
 Daniel Edwin Unger, Dayton  
 Carol Lyn Valentine, Cincinnati  
 Gerald Patrick Vanden-Eynden,  
 Columbus  
 Bronwyn Jones Van Frank, Columbus  
 Susan Elizabeth Vasbinder, Kent  
 Diana Joy Evans Vavra, Columbus  
 Cathy Darris Venick, Dayton  
 Patricia Kay Verhoff,  
 Columbus Grove  
 Anna Marie Vorst, Kalida  
 Deborah Lee Vrh, Euclid  
 Marie Lucienne Wade, Newark  
 Janet Ridge Walker, Columbus  
 Lana Jane Wail, Springfield  
 Patricia Sue Wallace, Mansfield  
 Stephanie Winkfield Wallace,  
 Columbus  
 Mitzi Sue Walls, Reynoldsburg  
 Lynn Ann Walsh, Pound Ridge, N. Y.  
 Judith Lynne Warthen, Newark  
 Kathleen Watkins, Canton  
 Harold Raymond Weese, Columbus  
 Henry Mark Weiss, Columbus  
 B.S.  
 Raymond Thomas Weiss,  
 Cleveland Heights  
 Michael Gordon Wentz, Vincent  
 B.A.  
 Cynthia Gale West, Cuyahoga Falls  
 Barbara Jo Wetters, Worthington  
 Mary Andrea White, Warren  
 Constance Ann Wible, Sandusky  
 Robert Douglas Wightman, Columbus  
 Timothy Alan Wigton, Mansfield  
 Nellie Walker Wile, Hayesville  
 Mary Joanna Williams, Columbus  
 Michael Ari Williams, Mansfield  
 Diane Kay Williamson, Columbus  
 Ronald Emory Williamson, Hebron  
 Patricia Ann Willoughby, Lima  
 Timothy James Wilson,  
 Huntington Beach, Calif.  
 Stephen John Winslow, Columbus  
 Valerie Dawn Wissman, New Bremen  
 Sandra Lee Withrow, Middletown  
 Sue Ann Wolfe, Columbus  
 Cert. Grad. Dent. Hyg.  
 Julia Anne Wolford, Newark  
 Paula Hyman Wolfson, Columbus  
 Barbara Morris Wood, Delaware  
 Candace Sue Wood, Columbus  
 Cert. Grad. Dent. Hyg.  
 Jill Elaine Woods, Piqua  
 Rhonda Kay Worthington, Conover  
 Shawn Annell Yarley, Columbus  
 Renee Jane Yerak, Willoughby Hills  
 Mark Gregory Young, Columbus  
 Nancy Thomson Youngs, Galion  
 Jane Ann Zaharias, Garfield Heights  
 Mary Jo Zaiser, Canton  
 Patti Jo Zawisa, Columbus  
 Thomas Frederick Zeigler,  
 Upper Sandusky  
 Betty Ruth Ziessler, Bluffton  
 Martha Jean Zimmerman, Columbus  
 Paul Arthur Zimmerman, Bay Village  
 William LeRoy Zimmerman,  
 Garden City, S. C.  
 Cynthia Williamson Zvara, Columbus  
 B.A. (Kent State University)

† Also Certificate of Graduate Dental Hygienist, College of Dentistry

## College of Engineering

Dean: Harold A. Bolz

### Bachelor of Science in Aeronautical and Astronautical Engineering

Twelve candidates

Pamela Fern Bradley, Wintersville  
Robert Daniel Corrigan,  
North Olmsted  
James Matthew Dean,  
Yorktown Heights, N. Y.  
Wesley Claude Drake, DelMar, Calif.  
Ronald Earl Grimes, Columbus  
Dan Damon Kruse, Powell  
Carl Edward Martin, Lorain  
Christopher Dean Ohler,  
New Philadelphia  
George Michael Pantalos, Columbus  
Wayne Allen Plack, Brook Park  
Edward Kenneth Ruth, Jackson  
Russell Allan Wells, Phoenix, Ariz.

### Bachelor of Science in Agricultural Engineering

Eight candidates

Dennis Eugene Bechtel,  
Fredericktown  
Darryl Francis Cain, Belmont  
Gary William Dare, Eaton  
Ihsan Ibrahim Hussein,  
Riad, Saudi Arabia  
Edwin Roy Kreis, Zanesville  
Lawrence Raymond Sallee,  
Canal Winchester  
Ronald Luther Schoenberger, Forest  
David Steve Yanoshek, Columbus

### Bachelor of Science in Ceramic Engineering

Four candidates

Richard Mark Baginski,  
Mayfield Heights  
Colleen Anne Donohue,  
East McKeesport, Pa.  
Gary Forest Knutsen, Cincinnati  
Warren Charles Suter, Mission, Tex.

### Bachelor of Science in Chemical Engineering

Twenty-one candidates

Kolajo Akinbiyi Afolabi,  
Lagos, Nigeria  
Paul Gregory Belcher, Dayton

Charles Thomas Burwell, Newark  
Michael Tsai-Fong Chow,  
Kowloon, Hong Kong  
Jacob Ohannes Dingilian, Westerville  
John Thomas Erikson, Oradell, N. J.  
Richard Dean Falter, Bucyrus  
John Robert Farison, Cincinnati  
Robert Nicholas Flagella,  
Greensburg Pa.  
Stephen Louis Grant, Lima  
Valerie Lynn Hershberger,  
Grove City  
William Chung-Sheng Hu, Columbus  
Thomas Steven Johnson, Copley  
James Allen Kean, Wellington  
Frederick Carl Knopf, Westerville  
Steven Peter Lanckton, Midland, Mich.  
Dennis Lee McGinn, Columbus  
Crit Eugene Nethero, Columbus  
William David Peebles, Lexington  
Robert Bruce Tait, Columbus  
James Strong Watt, Bellefontaine

### Bachelor of Science in Civil Engineering

Thirty-six candidates

Steven Karl Albrink, Columbus  
Robert Lester Baker, Columbus  
Jerry Joseph Baumer, Minster  
Robert William Blaschak,  
Weirton, W. Va.  
William Allan Burke, Rossburg  
Paul Charles Cheadle,  
Canal Winchester  
David Lee Connelly, Edgerton  
Brian Carl Dietz, Westerville  
Thomas Joel Ditmars, Galion  
Patrick Karl Ellis, Bellefontaine  
Jeffrey Lynn Fouse, Dayton  
Michael Patrick Gaffney,  
South Euclid  
Nicolao Dimitris Gasdaglis,  
Columbus  
John William Grosskopf, III,  
Perrysburg  
John Robert Hamilton, Lorain  
Kevin Gregory Hunt, St. Clairsville  
Theodore John Janosko,  
Parma Heights  
William Harvey Jaques, Jr.,  
Cincinnati  
Akram Amin Jawa,  
Mecca, Saudi Arabia  
Michael Odis Johnson,  
West Carrollton  
Frederick Dennis Klink, Bucyrus  
Robert Edward Lawler, Cleveland

Eric Harold Lewis, Columbus  
Roger George Long, Montpelier  
B.S.Ed.  
Gene LeRoy Martin, Columbus  
Steven Alan Mess, Columbus  
Walter Mark Parks, Rinard Mills  
Douglas Kerr Rennick, Columbus  
George Michael Rocker, Jr., Lore City  
Thomas Allen Rossi, Columbus  
R. Brent Rupp, Columbus  
Kurt William Sauer,  
West Farmington  
Ronald Robert Schultz, Cincinnati  
Bruce Carroll Smith, Gallipolis  
William Lee Spurling, Mason  
Richard Scott Steinman, Columbus

### Bachelor of Science in Computer and Information Science

Seventeen candidates

Anthony Norman Abdalla, Newark  
Roger Craig Blocher, Akron  
Chad Louis Brownhill, Cincinnati  
Michael Burton Clark, Columbus  
Gregory Taylor Coletta, Grove City  
Robert Olen Fite, Bethel  
James William Garling, Columbus  
Douglas Edward Harrah, Sylvania  
Richard David Hollenbaugh,  
Middletown  
Marlin Lee Lear, Rodney  
Albert Arthur Malone, Jr., Niles  
Alan Lawrence McClurg, Massillon  
Charles William Price, Lakeville  
Dennis Edward Swanson,  
Hicksville, N. Y.  
Gregory William Taylor, Springfield  
Robert Stephen Throckmorton,  
Circleville  
Wing Fai Yan, Kowloon, Hong Kong

### Electrical Engineer

One candidate

Thomas Joseph Bartol, Dayton  
B.E.E. (Marquette University)

### Bachelor of Science in Electrical Engineering

Thirty-seven candidates

Nur Singh Birkel, Ironton  
Frank James Blanda, Parma Heights  
Alan Michael Blischak, Toronto

Ralph Edward Butler, Newark  
Larry Lee Church, Jefferson  
Raymond Lane Collins, Defiance  
Thomas Allan Draper, Toledo  
Donald Ray Ecker, Jr.,  
Middleburg Heights  
Peter Phillip Gerardi, Columbus  
David Milan Gray, Columbus  
Richard Alan Hamersley,  
Newcomerstown  
David Allen Hammock, Columbus  
Stephen Allen Hewitt, Cincinnati  
Marvin Lee Hite, Columbus  
Fayez Mohamed Hyjazie,  
Sefadu, Sierra Leone  
Allen Eugene Jackson, Columbus  
Randolph Louis Jakobe,  
North Olmsted

Douglas Michael Kidd, Alliance  
Robert Wendell Kirkpatrick,  
Mansfield  
Konstantinos Kourounis,  
Thespiai, Greece  
Donald Stephen Leonard, Columbus  
Allen Dale Luckman, Columbus  
Robert Joseph Matthey, Zanesyville  
Mir Mohammad Najafzadeh,  
Tehran, Iran  
Charles Grover Nash, Forest Park  
Gary Lee Niedenthal, Brewster  
Jack Burke Osterbrock, Jr., Cincinnati  
Kevin Dale Parsons, Columbus  
Gregg Marion Peters, Ashville  
David Lyle Phalen, Trinway  
Leroy Albert Plymale, Columbus  
Lawrence Milton Pontious, Columbus  
Ray Allen Price, Bowerston  
Charles Dulles Rosier, Avon  
Dale Raymond Setlak,  
Middleburg Heights  
William Rodney Speth, Columbus  
Jerome John Surace, Lorain

#### **Bachelor of Science in Engineering Physics**

Two candidates

Jeffrey Alan Brown, Powhatan Point  
Mark Andrew Runkle, Columbus

#### **Bachelor of Science in Industrial and Systems Engineering**

Fourteen candidates

Steven Wayne Bushong, Findlay  
Don Wayne Cochran, Cincinnati

Tedd William Davison, Columbus  
William Philip Dussing, Columbus  
Raymond Felix Laroche, Columbus  
Keith Joseph Olszewski, Dayton  
Danny O'Neal, Columbus  
Kenneth Eugene Poling, Jr., Columbus  
Stephan G. Regulinski, Dayton  
John Allen Ross, Westerville  
David Allan Rudd, Akron  
Mark Dennis Schwabero,  
New Knoxville  
David Walter Velzy, Columbus  
James Roahan Yarrington,  
Worthington

#### **Bachelor of Science in Mechanical Engineering**

Forty-three candidates

Robert Allen Alt, Bellevue  
Carl Louis Bergman, Yorkshire  
Dan Leroy Bowman, Mt. Gilead  
Donald Scott Brondyke, Oakmont, Pa.  
Douglas Colin Chapman, Dayton  
Donald Melvin Clark,  
North Bloomfield  
Guy Grover Cline, Ashville  
Jay Robert Couch, Wadsworth  
Ronald Eugene Dawson, Wilmington  
Kenneth John Ekegren, Columbus  
Michael Richard Flaherty, Cincinnati  
Kurt Russell Frey, Columbus  
Barry Kent Fussell, Worthington  
Charles Robert Goodin, Jr.,  
Lockbourne  
Clifford Thomas Grabowski,  
Norwood, N. J.  
Dale Owen Harlan, Cincinnati  
Richard Morgan Harmon,  
Worthington  
Bruce Walter Hartman, Columbus  
Khoa Dinh Hoang, Saigon, Vietnam  
Michael Bruce Hoffer, Dayton  
Frank David Houser, Euclid  
Kevin Richard Jones,  
Murray Hill, N. J.  
Simon Kubo, Givataim, Israel  
Edwin Colby Little, Columbus  
Earle William Lockwood,  
Pittsburgh, Pa.  
David Allen Loeb, Cincinnati  
Steven Richard Marsh, Lima  
John Paul Measamer, Circleville  
Richard Herman Miller,  
Carrollton  
Bryan Andrew Molyet, Fremont  
Michael Thomas Morbitzer, Columbus

Paul William Neagle, Urbana  
Mark Wayne Osborne, Marion  
Steven Carl Riddle, Tiffin  
James Alan Rippel, Westerville  
Hap Charles Schadler, Columbus  
Dale Robert Schulze, West Center  
Allan Jay Solomon, Canton  
Ronald James Unger, Toledo  
Paul Stanley Wagner, Navarre  
David Bruce Weibel, Dayton  
Lee Alvin White, Lorain  
Craig Allan Young, Middletown

#### **Bachelor of Science in Metallurgical Engineering**

Seven candidates

Douglas Wayne Bodkins, Springfield  
Thomas Davie Burr, Elyria  
C. Blanche Gideon, Columbus  
Kevin James Kock, Cincinnati  
Edward Joseph Ostrowski, Jr.,  
Stuebenville  
Bradley Noel Plank, Columbus  
Daniel Edward Ries, Barberton

#### **Bachelor of Science in Welding Engineering**

Thirteen candidates

Daniel Ivan Bals, Columbus  
Richard George Engel,  
Wyomissing, Pa.  
Charles Lee Fisher, Columbus  
Lee Herbert Flasche, Columbus  
Walter Thomas Grassbaugh,  
Glenmont  
Marvin John Huck, Marietta  
Russell Roger Jones, Pittsburgh, Pa.  
Kenneth Lee Keck, Berea  
Jeffrey John Klemstine, Columbus  
Gregory Charles Koprowitz,  
Chicago, Ill.  
Billy Ray Merritt, Dayton  
Joseph Steve Pribisko, Parma  
John Wilson Walvoord, Sabina



School of Architecture

**Bachelor of Science in Architecture**

Sixty-eight candidates

Lawrence Anthony Alberts,  
Bellefontaine  
Robert Ray Armstrong, Fairborn  
Robert Jonathan Artrup, Kingston  
Charles Bradford Bevers  
Hinsdale, Ill.  
Lawrence Marshall Bielski, Salem  
Dennis Ray Boggio, Southfield, Mich.  
Varathorn Bookaman,  
Bangkok, Thailand  
William Michael Brady, Columbus  
James Arturo Brierley,  
Rancagua, Chile  
Darrell Gene Brown, Jr., Xenia  
Robin Pearl Butlein, Danbury, Conn.  
John Metro Chory, Columbus  
Paul John Compliment, Ironton  
Marcia Elisabeth Rees Conrad,  
Syracuse, N. Y.  
John Charles Cooke, Columbus  
Carla Jean Cooper, Waverly  
Robert James Costello,  
Binghamton, N. Y.  
Mark Lane Curtner, Berea  
Carmen Anthony Didiano,  
Pittsburgh, Pa.  
Scott Jeffrey Doellinger, Columbus  
Joseph Isidore Greaux,  
St. Thomas, Virgin Islands  
Roger James Griebling, Mansfield  
John Thomas Hawthorne, Centerburg  
Deborah Jane Hayes, Elyria  
B.A. (DePauw University)  
Bodil Hindhede, Columbus  
Thomas Franklin Hixon, Columbus  
B.S.  
Richard Kirk Hurni, Hicksville  
Frederick Harold Hutchison,  
Columbus  
Mark Jay Kalin, Syracuse, N. Y.  
B.A. (University of Rochester)  
Frank Richard Kay, Columbus  
Gary Robert Kelly, Lima  
John Richard Koster, Detroit, Mich.  
David James Lind, Pittsburgh, Pa.  
David Michael Lorenzini, Columbus  
William Howard Marshall, Jr.,  
Columbus  
Lee Edwin Martin, Columbus  
Garry McAnally, Columbus  
Kenneth Robert Merunski, Seven Hills  
James Herbert Mitchell, Jr., Columbus  
Kenneth D. Monsman, Euclid

Craig Lee Mount, Germantown  
Richard Lee Moutz, Mogadore  
Donald Wayne Myers, Castalia  
Thomas Kay Neff, Coshocton  
Paul Newman, Cleveland  
B.G.S. (Ohio University)  
Michael Edward Nylin,  
Canoga Park, Calif.  
Ralph Gordon O'Neil,  
Whitewater, Wis.  
Edward Allen Owens, Newark  
Frank Richard Petruziello,  
North Olmsted  
George James Poulos, Sandusky  
Glen Dal Ramage, Brook Park  
Gary Allen Rausch, Columbus  
Steven Philip Regoli, Mt. Pleasant  
Joseph Timothy Rini, Jr., Columbus  
John Edward Sandrock, Columbus  
Bernard Jay Scanlon, Columbus  
A.B. (Drury College)  
Thomas Frederick Schifer, Columbus  
Kenneth Carl Schumaker, Port Clinton  
Gerald Paul Shook, Hudson, N. Y.  
William Charles Shumaker, Tiffin  
Richard Thomas Smith, Warren  
Renee Calla Stockli, Frazesburg  
Craig Alan Stough, Toledo  
Mark Joseph Stuecheli, Akron  
James Randall Taylor, Somerset, Ky.  
Branislav Ugrinov, Columbus  
Keith Edward Wagenknecht, Westlake  
Karen Constance White,  
Havertown, Pa.

**Bachelor of Science in  
Landscape Architecture**

Twenty candidates

Roger Edwin Beal, Wadsworth  
Arthur Chester Bollinger, Jr.,  
Cincinnati  
Craig Randall Brown,  
Bedford Heights  
John Francis Cerny, Jr., Youngstown  
Steven Louis Covert, Dayton  
Debra Anne Dale, Toledo  
Paul DeVilbiss, Brookville  
Larry Kent Dobson, Gallipolis  
David Francis Greene, Columbus  
Nancy Freeman Hancock, Columbus  
James George Kosanovic,  
Bethel Park, Pa.  
Kathleen Holls Moran, Columbus  
Jan Crystal Newcomer,  
West Newton, Pa.  
Richard Dale Ploughe, Worthington  
Warren Melvin Rhodes, Columbus

Michael Magill Sullivan,  
Bloomfield Hills, Mich.  
Gretchen Van Winkle, Columbus  
Louise Elizabeth Watson,  
Atlanta, Ga.  
Margery Robin Weinberg,  
Bayside, N. Y.  
Patrick Henry Wyss, Columbus

Page 570 Blank

## College of Law

Dean: L. Orin Siagle, Jr.

### Juris Doctor

One hundred and fifty-seven candidates

Thomas Phelps Abu, Canton  
B.A. (College of Wooster)

Larry Donald Amberger, Columbus  
B.A. (Denison University)

John Oliver Bacon, Huron  
B.A. (Duke University)

David Arthur Baker, Columbus  
Ph.B. (Wayne State University)

Robert Quincy Baker, III, Coshocton  
B.S.E. (Princeton University)

Sarah Louise Baker, Worthington  
B.A. (University of New Mexico)

Robert Brainard Barnett, Jr.,  
Fairview Park  
B.S.

Robert Richard Bartunek, Beachwood  
B.S. (Bucknell University); M.B.A.

John Whitt Bentine, Ironton  
B.B.A. (Marshall University)

Thomas Michael Bernabei, Canton  
B.A. (Brown University)

Allan Richard Bloomfield,  
University Heights  
B.A.

David Edward Boker, Warren  
B.A.

Daniel Earl Bond, Newbury  
B.B.A. (Kent State University)

Ronald Bruce Brietkrenz, Lagrange  
B.M.E. (Cleveland State University)

Marjorie Crowder Briggs, Columbus  
B.A. (Carson-Newman College); M.A.

Paul Raymond Brown, Cleveland  
B.S.J. (Ohio University)

Thomas Jay Brown, Jr., Lima  
B.S.Bus.Adm.

Steven Edwin Buck, Columbus  
B.A.

John Michael Budde, Dayton  
B.S. (Miami University)

Charles Anthony Buening, Jr.,  
Columbus  
B.S.Ed.

Eugene William Butler, Jr., Columbus  
B.A.; M.Ed. (University of  
Cincinnati)

Michael Eugene Canode, Carey  
B.A. (Bowling Green State  
University)

Walter Kerfoot Chess, Jr.,  
New Concord  
B.S.  
(College of William and Mary)

Judith Ellen Christopher, Columbus  
B.A.

Leonard Andrew Comeras, Columbus  
B.A.

Frederick Stanley Coombs, III,  
Youngstown  
B.A. (Denison University)

Steven Michael Cox, Westerville  
B.A. (University of Kansas)

James Douglas Crowell, Columbus  
B.A. (College of William and  
Mary)

John Czeciuk, Akron  
B.A. (University of Akron)

Rose Blau Dabek, Columbus  
B.A. (Rosary College); M.S., Ph.D.  
(Loyola University)

Ralph Elmer Dill, St. Marys  
B.A. (Capital University)

Diana Stedman Donaldson, Columbus  
B.A. (Radcliffe College); M.A.  
(Trenton State College)

Philip Eldon Donner, Columbus  
B.A.

William Peter Driscoll, Youngstown  
B.A. (University of Notre Dame)

Jeffrey Duane Duniap, Akron  
B.S. (University of Akron)

Deborah Lynn Edwards, Wintersville  
B.A. (College of William and Mary)

Donn Gerald Ellerbrock, Columbus  
B.A., M.A.

Robert Paul Ellis, Jr., Lorain  
B.S. (Massachusetts Institute of  
Technology)

Otho S. Eyster, Columbus  
B.F.A.

Ray Alan Farris, Dayton  
B.A.

Thomas Earl Fennell, Toledo  
B.A. (University of Toledo)

Thomas Joseph Fiscus, Mechanicstown  
B.S. (United States Air Force  
Academy)

Roger William Fones, Columbus  
B.A. (Denison University)

Barbara Bison Ford, Columbus  
B.A. (Miami University)

Archibald Theodore Gardiner, III,  
Toledo  
B.A. (Ohio Wesleyan University)

Howard Marc Garfinkel,  
Shaker Heights  
B.A. (Miami University)

Steven Paul Gibb, Marion  
B.S.Ed., M.S.Ed. (University of  
Southern California)

Edward Steven Ginsburg, Bronx, N.Y.  
B.A. (State University of New York  
at Binghamton, Harpur College)

Frederick M. Gittes, Columbus  
B.A. (Rollins College)

Jeffrey Lynn Glasgow, Apple Creek  
A.B. (Heidelberg College)

Frederick Hazen Green, Thompson  
B.A., B.S.Agr.

Michael Dean Greenberg,  
Cleveland Heights  
B.A. (John Carroll University)

Kathryn Haller, Short Hills, N. J.  
B.A. (Miami University)

Marlin Jay Harper, Barnesville  
A.B. (Ohio University)

Douglas Lee Haynam, Pepper Pike  
B.S.E. (University of Michigan)

John Thomas Hendrie, Summit, N. J.  
A.B. (Ohio University)

Edwin Louis Herbert, III,  
Worthington  
B.A. (University of Notre Dame)

John William Herbert, Orrville  
B.S.

David Lynn Hicks, Columbus  
B.A. (Miami University)

Robert Henry Hoover, Frazesburg  
B.A. (Muskingum College)

Frankie Donnell Hoskey,  
Keystone, W. Va.  
B.S. (West Virginia State College)

John David Hvizdos, Columbus  
B.A.

Curtiss Lee Isler, Warren  
B.A. (Miami University)

William Francis Jankun, Forest Park  
A.B. (Cornell University)

Steven Wash Jemison, Chicago, Ill.  
B.A. (Elmhurst College)

Robert Michael Jilek,  
Mt. Pleasant, Mich.  
B.A. (Central Michigan University)

Lee Judy Johnson, Haworth, N. J.  
A.B. (Upsala College); M.A. (New York University)

Karen Louise Jones, Columbus  
B.A. (Elmhurst College)

Robert George Joseph, Lakewood  
B.A. (University of Tennessee)

Thomas Wade Kahle, Toledo  
B.A. (University of Dayton)

Robert Conley Kahl, Mt. Vernon  
A.B. (Princeton University)

Robert Hyman Katz, Columbus  
B.S. in B.A. (Youngstown State University)

John William Keeling, Columbus  
B.S.Bus.Adm.

Thomas Joe Keener, Ashland  
B.A.

David Keith Kelley, Jr., Miami, Fla.  
B.A. (Florida State University)

Keith William Kern, Euclid  
B.S. (Michigan State University)

Terrence Patrick Kessler, North Canton  
B.A. (Yale College)

Norah McCann King, Steubenville  
B.A. (Rosary College)

Robert Charles King, Granville  
B.A. (Miami University)

John Henry Kozich, Lorain  
B.A. (Kent State University)

Frederick Joseph Lange, Jr., Kettering  
B.S. (Bowling Green State University)

Shelby Smith Larsen, Columbus  
B.A., M.A. (Michigan State University)

Richard Joseph Levine, Bexley  
B.S. (Butler University)

Gerard Steven Lobosco, Columbus  
B.A.

Andrew Jackson Love, Athens  
A.B. (Ohio University)

Anthony Ralph Lucia, West Haven, Conn.  
B.S. (University of Pennsylvania, Wharton School of Finance and Commerce)

Roger Albert Mack, Defiance  
B.S. (Case Institute of Technology)

John Norman MacKay, Norman, Okla.  
B.A. (University of Oklahoma)

Douglas Gerry Martin, Columbus  
B.A.

Barbara Avery Maurer, Columbus  
B.A., M.A. (Cornell University)

John Gregory Maxa, Kettering  
B.L.S. (Bowling Green State University)

Edward Thomas McClellan, Avon Lake  
B.A. (Ohio Wesleyan University)

Thomas Ralph McGuire, Bethesda Md.  
B.S.Ch.E. (University of Cincinnati)

William Travis McIntyre, Akron  
B.S. in Bus.Adm. (Bowling Green State University)

William Locke McKenzie, Jr., Columbus  
A.B. (Princeton University)

Clinton Joseph Miller, Delphos  
A.B. (University of Michigan)

Terry Morrow Miller, Columbus  
B.S.Bus.Adm.

Robert Allen Minor, Columbus  
B.A. (Duke University)

Thomas Wesley Mitchell, Jr., Jackson  
B.S. (United States Naval Academy)

Karen Mueller Moore, Columbus  
A.B. (Ohio University)

Robert Francis Morand, Cincinnati  
B.S.M.E. (University of Notre Dame)

Robert James Morje, Nassau, N. Y.  
A.B. (Syracuse University)

Dixie Frieson Moss, Yellow Springs  
B.S. (Kansas State University)

Michael Lee Moushey, Alliance  
B.S. in Bus. (Miami University)

Kevin Peter Mulrane, Findlay  
B.A. (Bowling Green State University)

Jeffrey Vincent Nackle, Cleveland  
B.A. (Ohio University)

Michael Roger Neds, Columbus  
B.S.

Steven Sibley Nelson, Columbus  
B.S. (Marshall University); M.S.P.H. (University of North Carolina)

Paul Norr, Ann Arbor, Mich.  
B.B.A. (University of Michigan)

Kathleen Marie O'Brien, Columbus  
B.S.Ed.

Nancy Eaton O'Neill, Granville  
B.A. (University of Wisconsin)

David Andrew Orlins, Old Westbury, N. Y.  
A.B. (Syracuse University)

Jan Samuel Ostrovsky, Cleveland Heights  
B.A. (Kenyon College)

Lynette Pudvin Overbey, Bethlehem, Pa.  
B.A. (Northwestern University)

Terry Lee Overbey, Cincinnati  
B.S. in Ind. Eng. (Northwestern University)

Philip Sanford Phillips, Columbus  
A.B. (Milligan College)

Francis Paul Pittman, McClure  
B.S. (Bowling Green State University)

Ronald Eugene Prater, New Concord  
B.A. (Muskingum College)

Clement Wayne Pyles, Bylesville  
B.A.

John Patrick Quinn, Jr., Akron  
B.A.

Timothy John Quinn, Cincinnati  
B.A. (Yale University)

Ricky Lee Richards, Westlake  
B.A. (Wittenberg University)

Ronald Peltyn Richenburg, Ithaca, N. Y.  
B.A. (Yale University)

Patricia Gilchrist Roberts, Columbus  
B.A.

Stewart Elliott Roberts, Decatur, Ill.  
B.S. (University of Illinois)

Richard Keller Rohde, Columbus  
B.S. (Ohio University)

Howard Jay Rosenberg, Great Neck, N. Y.  
B.A. (Syracuse University)

Horton Perry Ryon, Tacoma, Wash.  
B.A. (Ohio University)

Richard Thomas Sargeant, Bellevue  
B.S. (Capital University)

Charles Rockwell Saxbe, Mechanicsburg  
B.A. (Southern Methodist University)

Bernard Joseph Schaeff, Kettering  
B.A. (University of Dayton)

James James Scheer, New Bremen  
B.S.Ed. (Wright State University)

Donald Edward Schneider, University Heights  
B.A. (Saint Louis University)

Robert Stanley Schwartz, Columbus  
B.A. (University of Chicago); A.M. (University of Michigan)

Alan Frank Sedlak, Brook Park  
B.A. (Northwestern University)

Willis Otto Serr, II, Columbus  
B.A.

William Curtis Severns, Cambridge  
B.A.

Daniel Roger Sharpe, Rochester, N. Y.  
B.A. (University of Rochester)

Lynne Skilken, Columbus  
B.A. (Tufts University)

Robert William Slezak, Columbus  
B.A.

Robert William Smith, Troy  
B.S. Bus.Adm.

Kenneth Sims Sollars, Shaker Heights  
A.B. (Ohio University)

Stephen James Stanford, Toledo  
B.S. Bus.Adm.

Sheryl Katter Stonecipher,  
Wapakoneta  
B.A.

Chris Meade Streifender,  
Warrensville Heights  
B.A., B.S. in Econ. (John Carroll  
University)

David Wenrich Stuckey,  
Green Springs  
B.A. (Capital University)

Barbara Anne Terzian, Fairborn  
B.A. (Ohio University)

Jeannie Yingling Teteris, Columbus  
B.A.

Dale Andrew Thompson,  
Speedway, Ind.  
B.S. in Bus. (Indiana University)

David Noah Walton, Flint, Mich.  
B.A. (Eastern Michigan University)

Thomas Phillip Webster, Lowell  
B.S. (Kent State University)

Alec Wightman, Euclid  
B.A. (Duke University)

James Roy Williams, Cincinnati  
B.A. (Marietta College), M.A.  
(University of Cincinnati)

William Ernest Wilson,  
Mingo Junction  
B.S. (Carnegie-Mellon University)

David Chappell Winters, Columbus  
B.A.

Thomas Dickinson Wright, Toledo  
B.S. (Bowling Green State  
University)

Michael E. Zatezalo, Weirton, W. Va.  
B.S.A.E. (West Virginia University)

Page 574 Blank

## College of Medicine

Dean: Henry G. Cramblett, M.D.

### Doctor of Medicine

Two hundred and ten candidates

Robert Thomas Abt, Doylestown  
B.S.E.E.

David Ralph Alexander, Warren  
B.S.

Stanley Lake Alexander, Dayton  
B.A. (Otterbein College)

Thomas Craig Allmon, Carrollton  
B.S.

David Scott Andrews, Canton  
B.S. (University of Notre Dame)

Dale Charles Angerman, Navarre  
B.S.

David Mitchell Atwell, Columbus  
B.A. (Duke University)

Bruce Olin Bailey, Willoughby  
B.A. (Hiram College)

William Lamont Bargar, Youngstown  
B.A.A.E.;  
M.M.A.E. (University of Delaware)

William George Barsan, Akron  
B.S. (University of Cincinnati)

William Joseph Barson, Warren  
B.S. (Cornell University)

Jerome Frederic Beekman, Columbus  
B.Ch.E., M.S.

Jeffrey George Bell, Columbus  
B.A. (Wittenberg University)

John Howard Bell, Columbus  
B.S.

Robert Paul Bennett, Portsmouth  
B.S.

Lee Richard Berkowitz, Youngstown  
B.S. (University of Cincinnati)

Steven Harold Bernbaum,  
University Heights  
B.S. (Massachusetts Institute of  
Technology)

David Arch Billmire, Columbus  
B.S.M.E.

Mary Elaine Busch Billmire,  
Cincinnati  
B.S. (College of Mount Saint Joseph)

James Francis Bingle, Toledo  
B.A. (University of Notre Dame)

Paul Kenneth Birney, Uniontown  
B.A. (Brown University);  
M.Div. (Yale University)

Jeffrey Lynn Black, New Bremen  
B.A. (Miami University)

Jerry Michael Bolduan, Toledo  
B.S. (University of Toledo)

Jaren Douglas Bombach, Dayton  
B.S.

Geoffrey Lee Braden, Canton  
B.S. (University of Cincinnati)

Gregory Lee Braden, Canton  
B.S. (University of Cincinnati)

Robert Lee Brawley, Hillsboro, Tenn.  
B.S.Ch.E. (University of Tennessee)

James Michael Brennan, III,  
Wyoming  
B.S. (University of Notre Dame)

Mark Vincent Brown, Bucyrus  
B.S. (Heidelberg College); M.S.

Jeremy John Burdge, Poland  
A.B. (Oberlin College)

Patrick John Byrne, Rocky River  
B.S. (University of Dayton)

George Franklin Calloway, Jr.,  
Cincinnati  
B.A.

Raymond Lester Candage, Jr.,  
Columbus  
B.S.

C. Patrick Carroll, Dayton  
B.S. (University of Notre Dame)

Donald William Chakeres, Columbus  
B.A. (Capital University)

Lynn C. Chrismer, Jr., Ashville  
B.S.

Jeffrey Armando Cianchetti, Akron  
B.S. (University of Akron)

John Francis Clement, Cincinnati  
B.S. (Xavier University)

William Edward Clutter, Mason  
B.S.

William Bruce Clutterbuck,  
Parma Heights  
B.A. (Ohio Wesleyan University)

Paul DeWitt Conrad, Mansfield  
B.A. (Miami University)

Enzo Cosentino, Canton  
B.S.

Adam Earle Costarella, Girard  
B.E. (Youngstown State University)

James William Cottrell, Wintersville  
B.S.

Susan Ellen Crapes, Toledo  
B.S.Ed. (University of Toledo)

Deanna Louise Daniels, Springfield  
B.S.

Mark Lyman DeBard, Centerville  
B.S. (University of Dayton)

Christopher Alan DeGraw,  
Worthington  
B.A. (DePauw University)

Charles Ford Denhart, Zanesville  
B.A. (Hope College)

Martin Harold Darrow, Columbus  
B.A.

Mark Eli Deutchman, Akron  
B.S.

Leibert E. DeVine, Barnesville  
B.S.

Donald Lewis Dixon, Worthington  
B.A.

Peter Daniel Donofrio, Wyoming  
B.S. (University of Notre Dame)

Diana Lynn Drinko, Cleveland  
B.A. (Mount Holyoke College)

Jeffery Allen Duffey, Cuyahoga Falls  
B.S. (University of Akron)

David Lee Dykhuizen,  
Milwaukee, Wis.  
B.A. (University of Vermont)

William Thomas Earhart, Milford  
B.S. (Ohio University)

George Patrick Ecklar, Englewood  
B.S. (Ohio University)

Richard Henry Essig, Westlake  
B.A. (Case Western Reserve  
University)

Robert Edwin Exten, Jr., Columbiana  
B.S. (Marietta College)

David James Fallang, Dayton  
B.A.

Ronnie Stewart Farris, Mt. Vernon  
A.B. (Olivet Nazarene College)

William Harvey Fenberg, Findlay  
B.S. (University of Arizona)

Douglas Gordon Finnie, Youngstown  
A.B. (Miami University)

Leland Jay Foshag, Sunbury  
B.A. (Lehigh University)

Michael Henry Frankel, South Euclid  
B.S. (University of Pittsburgh)

Gary Randall Freidenberg, Columbus  
B.S.

Stephen Joe Frushour, Celina  
B.S. (United States Military  
Academy)

Joseph Edward Geyer, Columbus  
B.A. (Miami University)

Gregory Neal Gibb, Marion  
A.B. (Rockhurst College); M.A.

Janet Faye Gick, West Chester  
B.S.

Judith Pearlman Giga, Steubenville  
B.A. (Brandeis University)

Robin Lee Gilmore, Dayton  
B.S. (University of Cincinnati)

William Henry Ginther, North Canton  
B.A. (Princeton University)

Steven Robert Goldsmith, Columbus  
B.A. (Denison University)

James Allen Gottfried,  
Upper Sandusky  
B.A. (Capital University)

John Leland Grant, South Euclid  
B.S. (John Carroll University)

Thomas Lee Greene, Bryan  
B.S. (Bowling Green State  
University)

James Henry Grendell, South Euclid  
B.S. (John Carroll University)

Jose Guerra, Jr., Toledo  
B.S. (University of Toledo)

Ira Harmon, ChIPLEY, Fla.  
B.S. (Kentucky State College)

Ellen Brubeck Hartmann,  
St. Clairsville  
B.A. (Wittenberg University)

George Steiner Heffner, Lima  
B.A. (Miami University)

William Arthur Henthorne, Barberton  
B.S. (University of Akron)

Vernon J. Hershberger, Holmesville  
B.A. (Malone College)

John Young Hess, Massillon  
B.S. (Tulane University)

John Thomas Hollon, Blanchester  
A.B. (Duke University)

William Burdette Holmes, Findlay  
B.A. (Miami University)

James Allen Hotz, Fremont  
B.A. (Cornell University)

Diane Huey, Bay Village  
B.S., M.A.

Gwen Wagner Huffer, Columbus  
B.A. (College of Wooster)

Allen Louis Huneke, Eaton  
B.S.

Michael I. Kandel, Beachwood  
B.A. (Case Western Reserve  
University)

Clark Robert Kaufman, Columbus  
A.B. (Indiana University)

Kenneth Ronald Kensey, Grove City  
B.A. (Ohio Wesleyan University)

Robert Franklin Kopley, Columbus  
B.S.

Joe Stephen Kersey, Lebanon  
B.A.

Thomas Wright Klamer, Geneva  
B.A. (DePauw University)

Pattye Rausch Knupp, Cincinnati  
B.S. Med. Tech. (University of  
Cincinnati)

John Charles Lalonde, Defiance  
B.S. (University of Toledo)

H. Joseph Lantz, Warren  
B.S. (Bowling Green State  
University)

Robert Lee Levy, Columbus  
B.S., M.S.

Stephen Anthony Levy, Columbus  
A.B. (Ohio University); B.S. Ed.

Ellen Lewis, Oberlin  
A.B. (Oberlin College)

Harry Michael Lewis, Portsmouth  
B.S.

Larry Joe Lilly, St. Albans, W. Va.  
B.S.E.E. (West Virginia University);  
M.S.

William Campbell Little, Worthington  
A.B. (Oberlin College)

Thomas Eugene Loncar, Youngstown  
B.A. (Hiram College)

Kenneth William Long, Willard  
B.A. (Denison University)

Richard Alan Lutes, Waynesville  
B.A. (DePauw University)

Medard Richard Lutmerding, Jr.,  
Dayton  
B.S. (University of Dayton)

Michael Dale Mackan, Marion  
B.S.

Bradley Scott Malcolm, Greenville  
B.S. (Bowling Green State  
University)

James Charles Malone,  
Cleveland Heights  
B.S. (Cleveland State University)

Randall Jay Margolis, Cincinnati  
B.A. (Miami University)

James Dennis Marr, Bay Village  
B.A.

Charles Jacob Marty, Bridgeport  
B.S.

William Michael Matre, Kettering  
B.S. (University of Dayton)

William Charles Mattern, Jr.,  
North Olmsted  
B.A. (College of the Holy Cross)

John Andrew Matyas, Wickliffe  
B.S. (John Carroll University)

Dennis Edward Mayock, Euclid  
B.S. (Miami University)

Mary Antenen McIlroy, Hamilton  
B.A. (Cornell University)

Scott Allen McIlroy, Celina  
B.A. (DePauw University)

Ronald Kent McLearn, Greenville  
B.A.

William John McQueen, Chillicothe  
B.S. (Ohio University); M.S.

Mary Ann McRae, Dayton  
B.S. (University of Dayton)

Robert Jay Meister, North Canton  
B.A. (University of Michigan)

Karen Kallberg Miday, Lyndhurst  
B.S., M.S. (Purdue University)

Robert Kallberg Miday, Canton  
B.S.

Laverne L. Miller, Hicksville  
B.A.

Steven Edson Miller, Chagrin Falls  
B.S. (Haverford College)

H. David Millitt, Bellaire  
B.A.

Allen Myers Mitchell, Worthington  
B.A. (Wittenberg University)

Michael Andrew Moore, Wadsworth  
B.S. (University of Akron)

William Roger Moore, Kent  
B.A. (Kent State University)

Robert Shannon Morris, Jr., Akron  
B.S. (University of Akron)

Bonnie Lou Muzenic, Columbus  
B.S.

Joseph Paul Myers, Delphos  
B.S. (University of Notre Dame)

Joseph Vahey Nally, Jr., Youngstown  
B.S. (University of Notre Dame)

Thomas Michael Neville, Springboro  
B.S.

William Lee Newkirk, Ashland  
B.A. (Harvard College)

Allan Eugene Nickel, Friendship  
B.S.

Susan Pohlman Nickel, Vandalia  
B.S. Phar.

Gregory Oldani, Unionville  
B.S. (University of Michigan)

Margaret Mary Pagenta, Akron  
B.A.

Douglas Gerald Pankratz, Lorain  
B.S., M.S. (University of Wisconsin)

William Randolph Penland, Stow  
B.S.

David Alfons Perdsock, Dayton  
B.S.

John Petty, Jr., Wilmington  
B.S.



David Perrin Poindexter, Chillicothe  
B.A. (Wittenberg University)

Michael Robert Ports, Columbus  
B.S. (Denison University)

Thomas Jon Poulton, Columbus  
B.S.

John Robert Raabe, Delphos  
B.Ch.E.

David Charles Randolph, Cincinnati  
B.S. (Southern Methodist University)

Philip Neil Rapport, Canton  
B.A. (University of Michigan)

Francine Rasco, Evanston, Ill.  
B.A. (Radcliffe College)

Darrell Kent Reed, Neffs  
B.S. (Wheeling College)

Stephen Charles Reichley, Thornville  
B.S.Ed.

Leonard Steven Rich,  
New Philadelphia  
B.S.

Thomas Dean Robinson, Atwater  
B.S. (Mount Union College)

Paul Edgar Romig, Akron  
B.S. (University of Akron);  
M.S. (University of New Hampshire)

Gary Wayne Routson, Findlay  
B.S. (Baldwin-Wallace College)

Deborah Kay Rufner, Kettering  
B.S. (Michigan State University)

J. William Rupp, II, Westerville  
B.S.

John Joseph Rynasiewicz, Lyndhurst  
B.S. (Duke University)

Donna Jean Salsburey, Ottawa  
B.S.

Michael Alan Schuler, Marion  
B.S.

Stephen Lee Schuler, Marion  
B.S. (University of Dayton)

Henry John Schultz, Cincinnati  
B.S. (Bowling Green State  
University)

John Douglas Seibert, Toledo  
B.S.

Mark William Shabla, Niles  
B.S. (Youngstown State University)

Patrick Thomas Shanahan, Marion  
B.A. (Rockford College)

James Howard Shegog, Cincinnati  
B.S. (Central State College); M.S.

David William Shie, Westlake  
B.S. (Bowling Green State  
University)

Richard Eugene Simon, Parma  
B.S.

Cynthia Jagatich Simpson, Masury  
A.B. (Youngstown State University)

Barry James Skrobot, Wickliffe  
B.S. (Capital University)

Thomas Lazare Slamovits, Cincinnati  
B.S.Ch.E. (University of Cincinnati)

Cathy Cleone Smith, Kettering  
B.S. (University of Dayton)

Christopher John Smith, Toledo  
B.A. (Miami University)

Steven Jeffrey Smith, Akron  
B.S.

Allan Floyd Starr, Rocky River  
B.S.E.E. (Purdue University)

Phillip Joseph Stern,  
Cleveland Heights  
B.S. (Purdue University)

Alice Marie Stollenwerk, Cleveland  
A.B. (Washington University)

Walter Duayne Storm, Ashland  
B.A. (Taylor University)

Robert Daniel Strung, Westlake  
B.S.

John Stanley Supance, Willowick  
B.S.

Charles Harlow Isaac Tiber, Dayton  
B.A. (Miami University)

David Young-Ho Tsai, Worthington  
B.S.

Margaret Ann Turk, Euclid  
B.S. (Northwestern University)

John Lowell Turner, Columbus  
B.S.

Joseph Turner, Liberty  
B.A. (Miami University)

Jack Paul Uetrecht, West Chester  
B.S. (University of Cincinnati);  
M.S., Ph.D. (Cornell University)

William Victor VanGilde, Cincinnati  
B.S. (John Carroll University)

Paul Constantine Venizelos, Cleveland  
B.A. (Northwestern University)

David Richard Vukin, Lorain  
B.S. (Hillsdale College)

Marilyn Sue Ward, Euclid  
A.B. (Cornell University)

Rick David Watson, Toledo  
B.A. (Denison University)

David Herman Weed, Columbus  
B.S.

Terry Lee Weston, Green Camp  
B.A. (Wabash College)

Gregory Stuart Williams, Warren  
A.B. (Harvard University)

Jerrold A. Winter, Youngstown

David Leonard Wirtz, Cincinnati  
B.S.

Eugene Anthony Woltering, Hamilton  
B.A. (Case Western Reserve  
University)

David Richard Wood, Lakewood  
B.A. (Hiram College)

Thom Doddridge Wood, Westerville  
B.S. (Otterbein College)

John Francis Zeiger, Tiffin  
B.A. (Kent State University)

William Palmer Zitter,  
Huntington, W. Va.  
B.S. (Virginia Polytechnic Institute)

Elinor Marie Zorn, Cleveland  
B.S. (Case Western Reserve  
University)

#### School of Allied Medical Professions

#### Bachelor of Science in Allied Health Professions

One hundred and forty-six candidates

Charalee Allen, West Carrollton  
Charles Edwin Ansley, Columbus  
Janice Kelly Archibald,  
Stamford, N. Y.  
Charlotte Jane Ash, Wooster  
Sandra Lea Augenstein, Grove City  
Kathy Jean Bailey, Youngstown  
Linda Louise Bain, Chillicothe  
Judith Jones Barbee, Columbus  
Dennis Murray Bash, Findlay  
Barbara Ann Beam, Caledonia  
Kenneth Michael Bebenroth, Parma  
Kay Frances Beckford, Deshler  
Carole Susan Bernstein, South Euclid  
Douglas William Boedeker, Xenia  
Janet Lee Borri, Columbus  
Annmaria Magda Bory,  
Cleveland Heights  
Sharon Carla Bowman, Franklin  
Randall Pioch Brown, Sylvania  
Suzanne Alice Brown, Chillicothe  
Katherine Elaine Brownson, Ashland  
Barbara Joann Campbell, Hamilton  
Dorothy Charlene Campbell, Niles  
Stephen Knight Campbell, Columbus  
Robert Alan Casto, Columbus  
Donna Ellyn Cheyfitz,  
Cleveland Heights  
Marianne Elaine Chizmar,  
Youngstown  
David Lee Crawford, Rockbridge

Ann Nowels Davies, Columbus  
 Deborah Ann Davis, Worthington  
 Donna Cecelia Davis, Mingo Junction  
 Susan Dianne Dean, Piketon  
 Debra Jane Denzin, Xenia  
 Joan Marie Esposito, Elyria  
 David Feerman, Lyndhurst  
 Joan Lea Ferrell, Pataskala  
 Patricia Kay Fill,  
 Montevideo, Uruguay  
 Mary Louise Fledderjohann,  
 New Knoxville  
 Robin Adele Fogelman, Mentor  
 Deborah Ann Fuller, Columbus  
 Nancy Rankin Furnas, Stow  
 Carol Jean Garverick, Galion  
 Mitzi O. Green, Columbus  
 Gayle Lynn Grega,  
 Middleburg Heights  
 B.S.  
 Julie Lynn Hall, Oberlin  
 Timothy Aloysius Haney, Xenia  
 Cheryl Carmen Hart, Cecil  
 Jeffrey Alan Heck, Shelby  
 Mary Ann Hedden, Tiffin  
 Barbara Jean Henkener,  
 New Knoxville  
 Martha Ann Hoddy, Madison, Wis.  
 Joseph Michael Hopeck,  
 Bethpage, N. Y.  
 Rita Mae Hoyng, Coldwater  
 Larry Edward Hrvatin, Columbus  
 Catharine Ann Huber, Greenville  
 Janis Lynne Huston, Napoleon  
 Jody Ann Jelley, Columbus  
 David Michael Jewell, Columbus  
 Dennis Keith Johnston, Wintersville  
 John William Karapelou,  
 Allentown, Pa.  
 Gayle Joan Karhoff, Spencerville  
 Deborah Ann Kenny, Steubenville  
 Ricke Wayne Kepner, Columbus  
 B.S.  
 Kristy Kathryn Kirkbride, Toledo  
 Dana Eugene Kochheiser, Prospect  
 Marian Louise Kramer, Tiffin  
 Michelle Diane Kreager, Avon Lake  
 Onalee Jean Kreager, Avon Lake  
 Margaret O'Reilly Krieger, Columbus  
 Susan Shallenberger Krug, Marietta  
 Carol Marie Kujanek, Berea  
 Vivian Carol Laubacher, Canton  
 Janice Schwab Laughlin, Columbus  
 Lucy Marie Leathers,  
 Falls Church, Va.  
 Albert James Lee, Jr., Wintersville  
 Susan Ellen Levine,  
 Long Beach, N. Y.  
 Sandra Kay Lewis, Pomeroy

Maureen Frances Logsdon,  
 Upper Sandusky  
 Kevin Wayne Mack, Columbus  
 Martin Alan Marks,  
 University Heights  
 Jacquelyn Lou Martin, Westerville  
 Carol Bailey Mash, Gahanna  
 Elaine McGearry, McDonald  
 Joseph Raymond McKinley, Columbus  
 Michele Catherine Milicia, Wickliffe  
 Larry Lester Nicol, Marysville  
 Catherine Anne Nowakowski,  
 Sylvania  
 Diane Messick Null, Newark  
 Linda Rae Oldfather, Bettendorf, Ia.  
 Randie Sue Ostroff, Youngstown  
 Rhona Jan Paris, Cleveland Heights  
 Mary Hawkins Parkevich, Columbus  
 William Hervey Parkinson, Belmont  
 Joanne Elizabeth Paspay, Zanesville  
 Larry George Paulson,  
 Brigham City, Utah  
 Judy Ann Plumly, Barnesville  
 Clark Edward Pritts, Lorain  
 Toni Yvonne Pryce, Warren  
 Holly Lynch Richardson, Lisbon  
 Susan Mae Richey, Columbus  
 Sherrie Gwendolyn Ridenour,  
 Mansfield  
 Debra Waibel Riley, Columbus  
 Daphne Queen Roach, Zanesville  
 Kathleen Keith Roberts, Marion  
 Marianna Roach Rohde, Columbus  
 Barbara Beinbrech Rupp, Columbus  
 Marianne Russin, Steubenville  
 Janis Diane Sample, Delaware  
 Allan Edward Santschi, Marion  
 Steven Dale Schlatter, Willard  
 Paul Robert Schleich, Hilliard  
 Susan Margaret Scott, Lexington  
 Mary Ann Sharkey, North Canton  
 Diana Marie Shaw, Massillon  
 Mary Teresa Shay, Springfield  
 Deborah Nemetz Sheppard,  
 North Olmsted  
 Joan Elizabeth Simmons, Marysville  
 Sandra Pacholke Simons, Eastlake  
 Margaret Louise Smith, Bridgeport  
 Peggy Ann Smith, Madison  
 Randall Don Smith, West Lafayette  
 Dawn Smith Speece, Berlin Center  
 Peggy Lynn Spence, Baltic  
 Steven Angelo Spinosi, Westerville  
 Sharon Kay Spring, New Philadelphia  
 Connie Sue Stone, Logan  
 Darlene Janet Stoner, Columbus  
 Robert Lester Stought, Columbus  
 Jane Anne Strickler, Urbana  
 Sherri Lynn Swenson, Worthington

Stella Jean Tscholl, Canton  
 Rebecca Jeanne Tucker, Cincinnati  
 Elaine Paula Uca, Lakewood  
 Robert Allen Vanecko, St. Clairsville  
 Phyllis Christine Ward,  
 Wheeling, W. Va.  
 Deborah Jean Watson, Columbus  
 Jane Marie Wensink, Monroeville  
 Melissa Ellen Werner, Cincinnati  
 John Michael Williams, Westerville  
 Bethany Lynne Wise, Columbus  
 Rosemary Dunham Wood,  
 Natick, Mass.  
 Anita Mae Worcester, Elyria  
 Robert Alan Wright, Akron  
 Suzanne Yeager, Mansfield  
 Janet Thomas Yore, Columbus  
 Beverly Ann York, Proctorville  
 Deborah Burt Znosko, Columbus

#### Certificate of Nurse Anesthetist

Two candidates

Ann Marie Gillen, Columbus  
 R.N. (Saint Thomas Hospital  
 School of Nursing, Akron)  
 Linda Williams Hislop, Columbus  
 R.N. (Saint Mary's School of  
 Nursing, Saint Marys, West  
 Virginia)

#### Certificate of Post Baccalaureate Circulation Technologist

Four candidates

John David Brooks, Columbus  
 B.A.  
 Stephen Patrick Farrell, Columbus  
 B.S.Agr.  
 Jeffrey Noel Kauffman, Columbus  
 B.S.  
 Craig Robert Warmuth,  
 Cuyahoga Falls  
 B.S.

#### Certificate of Post Baccalaureate Medical Illustrator

One candidate

Donald Alois Keller, Bismarck, N. D.  
 B.A. (University of North Dakota)

**Certificate of Post Baccalaureate  
Medical Technologist**

Four candidates

Catherine Marie Chimo, Port Clinton  
B.S.  
Judith Winters Dennis, Columbus  
B.A.  
Laura Lynn Jewett, Euclid  
B.S. (Bowling Green State  
University)  
Carl Allen Matyac, Blacklick  
B.A. (Capital University)

**School of Nursing**

**Bachelor of Science in Nursing**

One hundred and eighty-two candidates

Kim Elaine Allen, Hubbard  
Kathy Gay Amburgey, Medway  
Jane Ann Armbruster, Bucyrus  
Jacqueline Kay Auble,  
North Royalton  
Cheryl Lynn Babb, Columbus  
Judith Louise Balsley, Salem  
Thom Amos Becher, Minerva  
Denise Ann Bechtel, Columbus  
Chris Ann Berger, Mt. Vernon  
Charlotte Ann Billiter, Cincinnati  
Barbara Ann Bires, Ashtabula  
Connie Hindenlang Bohn, Columbus  
Rachelle Edda Brand,  
University Heights  
Cynthia Ann Brizes, Euclid  
Lillian Diane Brown, Columbus  
JoAnn Reeder Brubaker,  
Richmond, Ind.  
B.A.Jour.  
Ann Louise Bundy, Coshocton  
Margaret Ryan Burns, Columbus  
Charlotte Street Cain, Beipre  
Patricia Ann Callan, Poland  
R.N. (Bellevue Hospital School of  
Nursing)  
Elizabeth Ann Campbell,  
Houston, Tex.  
Rebecca Katherine Campbell,  
Portsmouth  
Judith Ann Carr, Mt. Vernon  
Kevin Gerard Carrabine,  
Fairview Park  
Yoonsun Chang, Cambridge  
Linda Werth Chupp, Worthington

Linda Marie Clark, Wooster  
B.A. (Bowling Green State  
University)  
Meredith Johnson Clarke, Grove City  
Deborah Kathryn Clear, New Vienna  
Debra Dillinger Cochrane, Columbus  
Janet Lynn Cohan, Steubenville  
Debra Jayne Collins, Avon Lake  
Nancy Elizabeth Connors,  
Youngstown  
Martha Rohr Conrad, Columbus  
Sandra Lee Conte, Columbus  
Sandra Kolp Cook, North Canton  
Dixie Carlyle Cope, Hudson  
Connie Sue Craun, Burgoon  
Rebecca Jones Cryder, Frankfort  
Kathleen Ann Daum, Cleveland  
Nancy Jean Dauria, Parma  
Crystal Lynn Davis, Loveland  
Jenniffer Linn Davis, Xenia  
Teresa Thompson Davis, Chesire  
Marilyn Nan Deatherage, Columbus  
Paige Lee DeHelian, Ashtabula  
Susan Elaine Devine, Marysville  
Cathy Olmstead Dill, Westerville  
Michael Francis Dowdell,  
North Royalton  
Mary Katherine Drury, Willard  
Mary Kathleen Duckworth, Stow  
Sue Ellen Ecklar, Englewood  
Nancy Ann Edgar, Columbus  
Connie Distler Fenton, Cincinnati  
Conli Elaine Ferguson, Westerville  
Teresa Marie Finke, Kettering  
Carol Oles Flax, Columbus  
B.S.  
Jacqueline Lee Frain, Newbury  
Beverly Jean Fraley, Piqua  
Nancy Beth Fralick, Springfield  
Karen Sue Fredrickson, Cincinnati  
Rebecca Lynn Gallicchio, Columbus  
Janis Hazlett Garver, Youngstown  
Jamie Anne Gatter, Cleveland  
Elizabeth Mary Gessert,  
Cuyahoga Falls  
Jill Marie Giesler, Elmore  
Erla Jane Gladden, St. Clairsville  
Linda Jean Gloss, Gallipolis  
A.B. (Miami University)  
Cynthia Lynn Gorey, Napoleon  
Deborah Ann Green, Polk  
Sandra Lee Gorski, Cleveland  
Cheryl Dellafave Guster, Orrville  
Ellen Corrine Hambrick, Wellston  
Arlene Marie Handzel, St. Clairsville  
Suzanne Kay Harper, Dayton  
Karen Pressar Helmlinger,  
Wapakoneta  
Catherine Sue Henry, Perrysburg

Victoria Marie Henton, Columbus  
Marjorie Hockin, Oak Harbor  
Judith Reidy Hudak, Akron  
Sandra Lee Hurwitch, Euclid  
Marilyn Jo Indiciani, Columbus  
Barbara Harter Jablonski, Columbus  
Valerie Marcia James,  
Kensington, Md.  
Daniel Jerome Jergens, Dayton  
Loma Ruth Janusch,  
Maple Lake, Minn.  
Christina Lee Jones, Northfield  
Deborah Ann Jordan, Cuyahoga Falls  
Ieva Astrida Kalmins,  
Canal Winchester  
B.A.; R.N. (Grant Hospital, School  
of Nursing)  
Betty June Kelly, Bronx, N. Y.  
R.N. (Rockland State Hospital,  
School of Nursing)  
Thomas Lyon Kepler, Columbus  
Ruth Ann Keplinger, Dayton  
Mary Putterbaugh Kindrick,  
Tipp City  
Darlene Joy Klohn, Sandusky  
R.N. (North Iowa Area Community  
College)  
Barbara Jean Kruse, Columbus  
Janice Elaine Landrum, Columbus  
Katherine Marie Lema, Westerville  
Barbara Louise Lindberg,  
McLean, Va.  
Katherine Ann Lindsey, Kenton  
Kathleen Anne Lindsey, Parma  
Carol Sue Litten, Vaughnsville  
Virginia Marie Loftus, Youngstown  
Anne Denise Lucko, Zanesville  
Kathleen Anne Luebbers, Cincinnati  
Kathleen Mary Lux, Columbus  
Floris Jean Mambourg, Lancaster  
Mary Susan Martin, Lakewood  
Pamela Ann Mathews, Gahanna  
Janice Marie Matko, Euclid  
Laura Grace McCalley, Columbus  
Ruth Schroeder McCarty, McArthur  
Dianne Catherine McClave,  
Steubenville  
Linda Yvonne McCutcheon, Canfield  
Laraine Anne Merry, Zanesville  
Dianne Sue Miller, Columbus  
Rita Ferris Minnick, Fairborn  
Letitia Kay Motschman, Elyria  
Diana Kathryn Neal, Columbus  
Sheila Sommers Neal, Columbus  
Sharon Nickell, Cambridge  
Polly Curtis Owen, Columbus  
Mary Lynn Padan, Portsmouth  
Cecelia Irene Paige, Columbus  
Janet Lee Parkinson, Euclid

Linda Ann Pekarek, Lakewood  
Joan Elayne Peterson, Fairview Park  
Ann Louise Phillips, Dayton  
Margaret Ellen Pippert, Lorain  
Lynn Sheryl Poliksa, Cincinnati  
Joan Marie Port, Canton  
Sheri Lynne Powell, McDonald  
Susan Ann Randolph, Granville  
Patricia Ann Ratkay, Canfield  
Karen Poling Reed, Grover Hill  
R.N. (Toledo Hospital, School of  
Nursing)  
Pamela Baun Rinehart, Columbus  
Joanne Crebs Risley, West Salem  
Marilyn Meyer Robboy,  
Pittsburgh, Pa.  
Nadine Grace Robertson, Malvern  
Beth Ann Robinson, Toledo  
Nancy Eileen Robinson, Parma  
Catherine Mary Rulis, North Olmsted  
Mary Blechschmid Ryan,  
Garfield Heights  
Nancy Lee Schiller, Petersburg, Va.  
Christine Frances Schiund,  
North Royalton  
Julia Ann Schneider, Columbus  
Marcia Houchard Scholl, Columbus  
Pamela McHugh Schuster,  
Youngstown  
Ruth Ann Schwartz, New Bremen  
Steven Mark Sheaffer, Nevada  
Laura Shively, Rocky River  
Cheryl Liber Silverman, Toledo  
Linda Elizabeth Simpson, Columbus  
Mary O'Neill Skubovius,  
Parma Heights  
Nancy Ellen Slattery, Poland  
Kim Alane Spitler, Columbus  
Gwen Elaine Spung, Worthington  
Deborah Anne Stonehouse, Lyndhurst  
Diana Jeanne Struble, Raleigh, N. C.  
Sandra Sue Sumser, Hamilton  
Susan Elizabeth Svaty, Cleveland  
June Ann Taggart, Columbus  
Deborah Sigrid Taylor,  
Nashville, Tenn.  
Rebecca Anderson Taylor, Loveland  
Deborah Norris Theiss, Syracuse  
Alaine Leslie Tighe, Cleveland  
Patricia Ann Tinney, Conneaut  
Ellen Moats Turner, Cuyahoga Falls  
Cheryl Anne Uffelman, Lakewood  
Catherine Clifford Walker, Columbus  
Shirley Jean Walser, Dayton  
Teri Sabatino Walton, Columbus  
Helen Jane Wexler, Cincinnati  
Melody K. Weygandt, Waynesfield  
Karen Elaine Wike, Youngstown

Susan Marie Wilson,  
Taichung, Taiwan  
Teresa Anne Wise, Loudonville  
Cheryl Ellen Wolfe, Columbus  
Jennifer Lynn Wolfer, Cincinnati  
Mary Pat Yatsko, Youngstown  
Beth Anne Yoder, Louisville  
Gayle Sue Zappin, Cincinnati  
Nancy Ellen Zenczak, Seven Hills

## College of Optometry

Dean: Frederick W. Hebbard

### Doctor of Optometry

Fifty-one candidates

John Thomas Archer, Bellevue  
B.S.

Mark Archibald, Stamford, N. Y.

Rodney William Bauer, Reynoldsburg

Walter Leon Betton, Sandusky

Gary Keith Bockhold, Dayton

Gary David Busch, Kettering

Bruce Allen Carey, Marion  
B.S.

Michael E. Christman, Lebanon

John Frederick Clerico, New Boston

John Charles Cress, Troy

Lawrence Michael Cusma,  
Wilkes-Barre, Pa.  
B.S. (King's College)

Zane Frederick Dubour,  
Orange, Mass.  
A.A. (Broward Community College);  
B.S.

Michael Frederick Fleck, Celina

James Emerson Fletcher, Painesville

Frances Carol Flower, Copley  
B.S. (Akron University)

Jeffrey Lee Franz, Holgate

Samuel M. Giesige, Holgate

Gregory W. Good, Tucson, Ariz.

Robert Frank Gradisek, Lorain  
B.S.

Donald Ray Grutzmacher, Akron

Andrew James Gunn, Barberton

Richard Keith Hauser, Elmont, N. Y.

James Allen Hilbert, Hicksville

Michael David Hipsher, Fostoria

Dennis Raymond Jacobs,  
Yellow Springs  
B.S.M.E. (University of Detroit)

Donald Marvin Leckey,  
Conemaugh, Pa.

Jeffrey Nelson LeGrande, Lima

David Saul Loshin, Danbury, Conn.  
B.S. (Rochester Institute of  
Technology); M.S.

Març Allen Lurie, Columbus  
B.S.

Edward Leo Matusik, Lorain  
B.S. (Bowling Green State  
University)

David Michael McClaid,  
New Hampshire  
B.A. (Olivet Nazarene College)

Joseph Andrew Mesaros, Columbus  
B.S.Ed.

Spencer David Mortensen,  
Salt Lake City, Utah  
B.S.

Robert Allen Murray, Prospect  
B.S. (Bowling Green State  
University)

Jack Lynn Neely, Antwerp  
B.S. (Ohio University)

Michael Jules O'Reilly, Toledo

James Milton Otis, Kingsport, Tenn.  
B.S. (University of Tennessee)

Joseph Salvatore Parisi, Euclid

Raymond Leroy Phillips, Jr., Toledo

Sheldon Barry Pitluk, Beachwood  
B.G.S. (Ohio University)

John Joseph Pole, Sandusky

Thomas George Ritter, Parma

Matthew Mark Rudinsky,  
Uniontown, Pa.

Jack Mark Safer, Youngstown

George Lewis Schmidt,  
Fort Lauderdale, Fla.  
B.S.

Luther D. Solverson, Viroqua, Wis.  
B.S. (Wisconsin State University)

\* Jack Edward Terry, Hamilton

Leslie Dale Thornburg, Columbus

Frederick Alexander Wood,  
Cortland, N. Y.

Kenneth H. Woodard, Springfield

Beth Ann Workman, Canfield

\* Also Master of Science, Graduate School

Page 582 Blank

## College of Pharmacy

Dean: Lloyd M. Parks

### Bachelor of Science in Pharmacy

Ninety-three candidates

Karin Ann Alberts, Greenville  
Susan Lee Alderman, Columbus  
Cathy Leigh Ayers, Geneva  
Donald Symes Balas, New Carlisle  
B.S. (Bowling Green State University)  
Robert Ronald Barber, Youngstown  
Michael Gregory Bendinelli, Portsmouth  
Arnold Harry Berger, Columbus  
B.S.  
James Joseph Bohus, Lansing  
Robert Poe Bradbury, Columbus  
Richard Lee Brock, Columbus  
Maureen Ann Cahill, Rocky River  
Ronald William Carey, Columbus  
Sue Ann Carey, Columbus  
Karen Marie Carpenter, Columbus  
Michael Ying Wai Chan, Hong Kong  
Alan William Corbett, Akron, N. Y.  
Rex Alan Cramer, Richwood  
Ronald Keith Craycraft, Dayton  
Albert Charles Croft, Columbus  
John Timothy Custis, Sabina  
Pamela Dresbach Dennewitz, Grove City  
Stephen Michael Denovchek, Columbus  
Glenford Ray Derr, Logan  
Paul Allen Dinwiddie, Jr., Clearwater, Fla.  
Paula Jean Dishong, Cortland  
Thomas Patrick D'Onofrio, Columbus  
B.S.Ed. (Youngstown State University)  
Patrick Lewis Dudding, St. Joseph, Mich.  
Lawrence Robert Endich, Columbus  
Robert Alan Esarey, Seven Hills  
B.S.  
Jon Lawson Faust, Columbus  
B.S.Agr.,  
Michelle Gail Fishkin, Manhasset Hills, N. Y.  
Carl Robert Fossaceca, Columbus  
B.A. (Miami University)  
Richard Dale Fox, Niles  
John Paul Galletta, Struthers  
Brenda Pobst Gibson, Circleville  
James Robert Gliebe, Fairview Park  
Paul Grandinetti, Columbus  
Carmen Marie Hadley, Harrod  
Randolph Heilman, Columbus  
Deborah Katharine Henson, Euclid  
Cynthia Ann Hoffmann, Worthington  
Alvin John Homan, St. Henry  
Louis John Horvath, Charleroi, Pa.  
Janie Kreisher Huffman, Columbus  
Donald Scott Hulka, Fremont  
Gabriel John Illes, Jr., Youngstown  
Lawrence Nigel James, Reynoldsburg  
Barbara Helen Janis, Rocky River  
Timothy John Kolodziej, Columbus  
Nancy Lee Kreager, Newark  
Gene Nick Laluk, Columbus  
Brett C. Larkins, Sebring  
Jodine Alexander Long, Westerville  
B.A. (College of Wooster)  
Jack Richard Lowe, Columbus  
A.B. (Miami University)  
Jack Lamar Mathews, Oak Hill  
Michele McGrory, Columbus  
Brian James McNeeley, Lakewood  
Gerald Samuel Mendelson, Bellaire  
William Walter Miller, Westerville  
Michael Stephen Morris, Springfield  
James Edward Nicholls, Twinsburg  
Marion Douglas Norris, Cleveland  
Kenneth Ray Norton, Newark  
Joseph Alan Novak, Lorain  
B.S.Ed.  
Christina DiTommaso Nowicki, Columbus  
William Milton Nuzum, III, Belpre  
Bonnie Gail Olson, Columbus  
B.S. (Ohio University)  
Larry Allen Pfeiffer, Columbus  
Gary Robert Poling, Columbus  
Thomas Allen Reppy, Niles  
Charles Richard Roche, Poland  
Thomas Louis Ryan, Columbus  
Julia Marie Schaeffing, Columbus  
Craig Thomas Scott, Lyndhurst  
Berdina Louise Sheldon, Niles  
David George Shipper, Columbus  
Gregory Charles Smith, Mansfield  
Linda Lee Snyder, Columbus  
James Byron Toohey, Canton  
Elaine Trzaska, Steubenville  
James Robert Vance, Galloway  
Alan Eugene Van Dyke, Lima  
William Gene Wells, Jr., Columbia Station  
B.S.  
John Paul Weston, Jr., Columbus  
Gary Arnold White, Cleveland  
Kathy Ebelberger Whitmer, Hilliard  
Carol Jean Williams, Brilliant  
John Charles Wilson, Columbus  
B.S.  
Mary Marguerite Wojcik, Rossford  
William Bradley Wood, Mt. Gilead  
Thomas Richard Woods, Akron  
Terry James Yingling, Salem  
Melinda Heed Zimmerman, Cambridge

Page 584 Blank



## College of Veterinary Medicine

Dean: C. Roger Smith

### Doctor of Veterinary Medicine

One hundred and eighteen candidates

David Bruce Allmon, Carrollton  
B.S.Agr.

Dennis Neil Aron, Youngstown

Ronald Craig Ballard, Orlando, Fla.

Douglas Paul Becker, Defiance

Yvonne Marie Bellay, Bristolville  
B.S. in Agr.

Larry Berkwitz, Elmhurst, N. Y.  
B.S.

Jeffrey Lyn Berzon, Dayton  
B.S.

Cathrine Allyn Blausner, Pickerington  
B.S.Agr.

Edward Eric Bohl, Wooster

Martin Richard Brady, Muncie, Ind.

James Bradley Brenneman, Elida

Gerald Wayne Buckland,  
Cashmere, W. Va.  
B.S. (Virginia Polytechnic Institute)

Gary Michael Camp,  
Parkersburg, W. Va.  
B.S.Agr.

Kathryn Louis Carter, Painesville

Frank Julian Cary,  
Lewisburg, W. Va.  
B.S.Agr. (West Virginia University)

John Robert Center, Hudson

Lynn Eugene Christy, Akron

Thomas Edwin Cole, Painesville

Keith Eugene Colwell, Defiance  
B.S.Agr.

Barbara Crabtree, Pataskala  
B.S. (Ohio University); M.S.

Joseph Miles Cross, Wooster

Ronald Louis Dawe, New Tripoli, Pa.  
B.A. (Ashland College)

Cynthia Louise DeNiro, Alliance  
B.S.Nutrition

Wesley George Elford, Mentor  
B.S.Agr., M.S. (Montana State  
University)

Daniel Edward Evans, Jr.,  
Mineral Ridge

David Warren Farst, Hamilton  
B.S.Agr.

Dana Lee Fertig, Cincinnati  
B.A. (Wittenberg University)

William Edwin Fling, Hillsboro  
B.S.Agr.

James Richard Foltz, Baltimore  
B.S.Agr., M.S.

Stephen Micheal Forsythe, Baltimore  
B.S. (Bowling Green State  
University)

Frank Martin Foy, III, Westlake  
B.S. (Wheeling College)

Gregg L. Fugate, Wilmington  
A.B. (Wilmington College)

William Anthony Gay, Lakewood

Robert Raleigh Geiger, Minster  
B.S.

Richard Joseph Ghiloni, Newark  
B.S.Agr.

Robert Lester Gochbauer, Apple Creek  
B.S.Agr.

\* Rebecca Elaine Gompf,  
Livingston, N. J.  
B.S.Agr.

William Harry Harnetty, Zanesville

Willard Lee Hawkins, Jr.,  
New Windsor, Md.

Dennis Lane Hodson, Columbus  
B.S.Agr.

Phillip Dean Hudgens, Columbus

Patrick Vern Hysell, Westerville

Joseph Lawrence Imburgia, Warren  
B.S.

Gary Dwyer Junk, Washington C. H.  
B.S.Agr.

William Wayne Kaufman, Lima

William David Kerns, Mechanicsburg  
B.A. (Wilmington College)

William Gayle Kilcoyne, Mayfield, Ky.

Philip Dale Kozimer, Cleveland  
B.S.

Thomas Kozlowski, Columbus  
B.S.

Scott Murray Lamb, Opa Locka, Fla.  
B.S. (Florida State College)

Ronald Edward Leick, Melbourne, Ky.

Harvey Howard Leimbach, Amherst  
B.S.Agr.

Michael David Lokai, Urbana  
B.S.Agr.

Basil William Long, Jr.,  
West Lafayette, Ind.  
B.S.Agr.

Mark Thomas Lowe, Dayton  
B.S.Agr.

John Terin Lynch,  
Ft. Lauderdale, Fla.

Harry Leo Mamas, Largo, Fla.

Gregory Lee Matthews, Pemberville

Jeffrey Walter Miller, Canton

Dale Samuel Misko, Yorkville  
B.S.Agr.

Robert Allen Montgomery, Jr., Canton  
B.S. (United States Coast Guard  
Academy)

Thomas Alexander Moon,  
Parma Heights  
B.S.

Dennis James Moore,  
Sistersville, W. Va.  
B.S. (West Virginia University)

Michael Bruce Moore, New Carlisle  
B.S.Agr.

John Muller, Pompton Plains, N. J.  
B.S. (Upsala College)

Thom Edward Myers, Columbus

James William Nelson, Ford City, Pa.  
B.S.Agr.

Jeffrey Lynn Nester,  
Peterstown, W. Va.

Loretta Wilson Nicholson,  
Muncie, Ind.  
B.S. in Ed. (Ball State University)

Wendy Louise Ostgaard,  
Bernardsville, N. J.  
B.S.Agr.

Janis Eileen Ott, Cincinnati  
B.A. (Northwestern University)

\* Also Master of Science, Graduate School

Charles Howard Patterson, Wooster  
B.S.Agr.

Douglas E. Peters, Blanchester  
B.S. (University of Maryland)

Donald Joseph Peteya, Akron  
B.S. (University of Akron)

Richard Samuel Pfouts, North Canton

Mark William Phillips, Ashville  
B.S.Agr.

Robert William Pierce, Painesville  
B.S.Agr.

Paul Reifer, Pittsburgh, Pa.  
B.A.

Gary Dwight Reissig, Findlay  
B.S. (Bowling Green State  
University)

Robert Walter Reuther,  
Martins Ferry

Keith Russell Richeson, Apple Creek

Joseph Samuel Rook, Columbiana

Michael Lee Ruckel, Springfield

Nancy Kay Ruff, Columbus  
B.S. (Kent State University)

Linda Jean Sager, Perry

Glenna R. Salyer, Columbus  
B.S.

John Hughes Sameck, Stuart, Fla.

Gary Lee Schroeder, Cincinnati

Patrick Gerald Scott, New Albany  
B.S.Agr.

James Michael Seimer, Orient

Paul Allen Shaffer, Girard

Jan Keith Shearer, Louisville  
B.S. (Ashland College)

James Michael Shelton, Novelty  
B.S. (Ohio University)

Gregory Clark Shinn, Alliance  
B.S. (Bowling Green State  
University)

Philip Evan Shrimpton,  
Lexington, Ky.  
B.S. (University of Kentucky)

Robert Glenn Sigler, Akron

Craig Richard Silberman, Columbus  
B.S.Agr.

Steven Scott Slabaugh, Hartville

Larry Gene Smith, Findlay  
B.S.Agr.

Allen Grant Squire, Burton  
B.S.Agr.

Susan Eve Stann, Pepper Pike  
B.S.Agr.

Theodore R. Stechsulte, Hubbard  
B.S. (John Carroll University)

Sharon Stevenson, Sunbury

Harold Frederick Stills, Jr., Lakewood

Philip Eugene Stine, New Carlisle  
B.S.Pharm. (University of  
Cincinnati)

Walter Swanson, Nokesville, Va.  
B.S.

Fred Ralph Tambling, Akron  
B.S.Agr.

Richard Stanley Teague, Columbus

Marilyn Christine Tecec, Canton  
B.S. (Kent State University)

Mary Casely Wakeman,  
Hartford, Wis.  
B.S. (University of Wisconsin)

David Boyd Warren, Cleves

David Robert Washabau,  
Tallahassee, Fla.  
B.S. (University of Pittsburgh)

Kirk Alan Weber, Norwood

Rebecca Ann Williams, Akron  
B.S.Agr.

Daniel Arthur Wilson, Sabina  
B.S.Agr.

David Arthur Wright, Morrow  
B.S.Agr.

Ross James Young,  
Morgantown, W. Va.

Gary Alan Zipay, Burghill

## Graduates With Honors

### Summa Cum Laude

Robert Allen Alt, Bellevue  
 Steven John Anthony, Chillicothe  
 Robert Quincy Baker, Coshocton  
 Teresa Roach Baker, Columbus  
 Jane Elaine Ballenger, Marion  
 Robert George Ballenger, Gahanna  
 James Harvey Balthaser, Worthington  
 Lynette Sue Bartsell, Graytown  
 Melody Sue Bascom, Pataskala  
 Dennis Murray Bash, Findlay  
 Paul Leslie Beck, Perrysville  
 Joseph William Beran, North Bloomfield  
 Thomas Michael Bernabei, Canton  
 Nicholas Stephen Blank, Cleveland Heights  
 Gary Brent Bostick, Columbus  
 Cynthia Sue Bovard, Utica  
 Charles Jeffrey Brown, Newark  
 Lee Alan Bruey, Lisbon  
 Joann E. Burkholder, Bluffton  
 Barbara Fleming Butts, Mansfield  
 Charlotte Street Cain, Belpre  
 Douglas Farber Cannon, Upper Arlington  
 Sue Ann Carey, Columbus  
 Donna Ellyn Cheyfitz, Cleveland Heights  
 Michael E. Christman, Lebanon  
 Larry Lee Church, Jefferson  
 Meredith Johnson Clarke, Grove City  
 William Edward Clutter, Mason  
 Debra Jayne Collins, Avon Lake  
 Barbara Asheraft Cook, Columbus  
 Stephan Alan Coughlin, Paulding  
 Dennis Charles Courtheyn, Augusta  
 Kenneth Carlisle Crooks, Pease, N. H.  
 Peter Charles Dandalides, Chardon  
 Martin Harold Derrrow, Columbus  
 Deana Baker Detwiler, Edison  
 Nancy Carol Dewandel, Fairborn  
 Ralph Elmer Dill, St. Marys  
 Diana Stedman Donaldson, Columbus  
 Deborah Lynn Edwards, Wintersville  
 Julie Anna Edwards, Canton  
 Rosemary Schroeder Ellerbrock, Columbus Grove  
 Eric Alan Farnsworth, Cleveland  
 Ray Alan Farris, Dayton  
 Richard Alan Fazzenbaker, Akron  
 Thomas Earl Fennell, Toledo  
 Zelmer Alan Fink, Marion  
 Roger William Fones, Columbus  
 Barbara Bison Ford, Columbus  
 Jacqueline Lee Frain, Newbury  
 Deborah Ann Fuller, Columbus  
 Janis Hazlett Garver, Youngstown  
 Archibald Theodore Gardiner, Toledo  
 Karen Bernette Gase, Milford Center  
 Jamie Anne Gatter, Cleveland  
 John William Geist, Columbus  
 Janet Diann Gibson, Xenia

Edward Steven Ginsburg, Bronx, N. Y.  
 Erla Jane Gladden, St. Clairsville  
 Karen Kinney Goff, Bellefontaine  
 Gregory W. Good, Tucson, Ariz.  
 Deborah Ann Green, Polk  
 Cindie Jan Greenbaum, Shaker Heights  
 Gail Guttman, Nashville, Tenn.  
 Robert Alan Guzzo, Columbus  
 Mark Thomas Haemmerle, Dayton  
 Julie Lynn Hall, Oberlin  
 Rose Kegler Hallarn, Columbus  
 Kathryn Haller, Short Hills, N. J.  
 Vicky Lee Hance, Casstown  
 Jill Warner Harmer, Columbus  
 Catherine Sue Henry, Perrysburg  
 Anita Sciarini Heys, Columbus  
 Dinah Lea Hixon, Washington C. H.  
 Ronald Dale Holderman, Reynoldsburg  
 Richard David Hollenbaugh, Middletown  
 Charles Scott Hosket, Yellow Springs  
 James Donard Iden, Jr., Newark  
 Janice Carol Irwin, Westerville  
 Curtiss Lee Isler, Warren  
 Barbara Harter Jablonski, Columbus  
 Steven Craig Jackson, Sidney  
 William Harvey Jaques, Jr., Cincinnati  
 Robert Michael Jilek, Mt. Pleasant, Mich.  
 Kevin Richard Jones, Murray Hill, N. J.  
 Sandra Hanselman Jones, Georgetown  
 Thomas Wade Kahle, Toledo  
 Robert Conley Kahrl, Mt. Vernon  
 Kathy Elaine Keith, Hartsville  
 Mary Putterbaugh Kindrick, Tipp City  
 Norah McCann King, Steubenville  
 Robert Charles King, Granville  
 Susan Elizabeth Kozak, Seven Hills  
 Susan Mary Kuzma, Seven Hills  
 Frederick Joseph Lange, Jr., Kettering  
 Nancy Kay Arndt Lankton, Marion  
 Jeanne La Pierre, Wichita, Kan.  
 Carol Ann Lichtensteiger, Ohio City  
 Debra Sue Lieberman, Canton  
 Virginia Ann Losey, Columbus  
 Laurie Jean Lucas, Marion  
 John Norman MacKay, Norman, Okla.  
 Karen Lucille Martin, Columbus  
 Sharon Kay Mason, Ironton  
 Jack Lamar Mathews, Oak Hill  
 Marilyn Jane May, Columbus  
 Terry Kyle McAfee, Columbus  
 Michelle McGrory, Columbus  
 Elizabeth Elaine McKinley, Kenton  
 Robert Lowell Medford, Dayton  
 Jane Michele Melchior, Uniontown  
 Rosalind Mary Mercier, Columbus  
 Robert Eric Miller, Chillicothe  
 Terry Morrow Miller, Columbus

Vicki Jamison Miracle, Lima  
 Karen Mueller Moore, Columbus  
 Michael Thomas Morbitzer, Columbus  
 Gail Eugene Mutchler, Loudonville  
 Allan Eugene Nickel, Friendship  
 Kim Richard Nicola, Columbus  
 Linda Jean Nixon, Columbus  
 John Michael Offenbacher, Columbus  
 Jean Marie Ontrop, St. Henry  
 Terry Lee Overbey, Cincinnati  
 Phoebe I. Parker, Columbus  
 Charles Howard Patterson, Wooster  
 Larry Joe Pennington, Tiffin  
 Ida Addolorata Patacca, Columbus  
 George Perko, Cockeysville, Md.  
 Barbara Jane Perri, Worthington  
 Mark Eugene Pfieger, Worthington  
 Michael Allen Piscitello, Cleveland  
 Imogene Louise Prichard, Lima  
 Susan Ann Purlert, Leesburg  
 Roger Kenneth Quillen, Newcomerstown  
 Holly Lynch Richardson, Lisbon  
 Jean Guenther Ringe, Columbus  
 Carolyn Diane Ritzman, Cambridge  
 Patricia Gilchrist Roberts, Columbus  
 David Craig Rodeheffer, Portsmouth  
 Cathy Marie Roth, Marion  
 Robert Edward Rouault, Jr., Bay Village  
 David Daniel Rowlands, Worthington  
 Mary Ann Rozum, Euclid  
 Mark Andrew Runkle, Columbus  
 Edward Kenneth Ruth, Jackson  
 Charles Bruce Ruzicka, Chesterland  
 Dia Felice Smith Salogga, Columbus  
 Justine Martin Santschi, Marion  
 Sherry Dicus Sasarak, Mansfield  
 Donald Edward Schneider, University Heights  
 Robert Stanley Schwartz, Columbus  
 Ruth Ann Schwartz, New Bremen  
 Mary Ellen Scott, Dayton  
 Harlan Bennet Sexton, Garden City, N. Y.  
 Daniel Roger Sharpe, Rochester, N. Y.  
 Lynn Kirsch Shively, Lewisburg  
 Beth Hene Silverman, Yellow Springs  
 Kenneth David Singer, South Euclid  
 Douglas James Sivinski, Columbus  
 Cathy Ann Smith, Marietta  
 Judith Ann Sniderman, Youngstown  
 James Sosnowchik, Twinsburg  
 Timothy Lowell Specht, Sugarcreek  
 Mary Ann Spillers, Columbus  
 Allen Grant Squire, Burton  
 Linda Elnora Stealy, Columbus  
 Theodore R. Stechschulte, Hubbard  
 Cynthia Laman Steiner, Columbus  
 John Luther Steiner, Canton  
 Sharon Stevenson, Sunbury  
 Richard Myrl Stillwell, Cincinnati  
 Craig Alan Stough, Toledo  
 Dale Russell Terpening, Collins  
 Jeannie Yingling Teteris, Columbus  
 Paul Joseph Thornburg, Rochester, Mich.

Jan Maudshien Treichler,  
Seattle, Wash.  
Cheryl Anne Uffelman, Lakewood  
Carol Lyn Valentine, Cincinnati  
Lynn Robert VanHorn, Louisville  
Marie Lucienne Wade, Newark  
Patricia Sue Wallace, Mansfield  
Billy Larson Whittaker, Newbury  
Stephen John Winslow, Columbus  
Teresa Anne Wise, Loudonville  
Valerie Dawn Wissman, New Bremen  
Dennis Lee Wolfarth, Louisville  
David Richard Wood, Lakewood  
William Bradley Wood, Mt. Gilead  
Robert Alan Wright, Akron  
Beth Anne Yoder, Louisville  
Mary Falkenbach Zartman, Columbus  
Betty Ruth Ziessler, Bluffton  
Lauri Podell Zofan, Columbus

**Summa Cum Laude and with  
Distinction in Accounting**

Victor Lewis Bernard, New Vienna  
Robin Michael Wagner, Fostoria

**Summa Cum Laude and with  
Distinction in Biochemistry**

James Alexander Kruse,  
North Ridgeville

**Summa Cum Laude and with  
Distinction in Botany**

Sharon Lynn Barnes, Columbus

**Summa Cum Laude and with  
Distinction in Home Economics**

Sally Werner Gross, Wapakoneta

**Summa Cum Laude and with  
Distinction in Psychology**

Angela Kay Iddings, Troy

**Summa Cum Laude and with  
Distinction in Resource Development**

Mark William Burket, Tallmadge

**Summa Cum Laude and with  
Distinction in Wildlife Management**

Randall Scott Arndt, Fremont

**Cum Laude**

Michael George Aber, Cleveland  
Jacqueline Yvette Addison, Columbus  
Karin Ann Alberts, Greenville  
Deborah Jeanne Allen, Bedford  
Kathy Gay Amburgey, Medway  
Colleen Kaye Anderson, Marion  
Jeffrey Soot Anderson, Grove City  
Thomas Edward Arcaro, Ashtabula  
Mark Archibald, Stamford, N. Y.  
David Walter Arnold, Waterford  
Dennis Neil Aron, Youngstown  
Debra Ellen Baker, Columbus

Sarah Louise Baker, Worthington  
William Lamont Bargar, Youngstown  
Robert Brainard Barnett,  
Fairview Park  
Robert Richard Bartunek, Beachwood  
Jerry Joseph Baumer, Minster  
Denise Ann Bechtel, Columbus  
Sharon Riley Bechtel, Kenton  
Kay Frances Beckford, Deshler  
Jerome Frederic Beekman, Columbus  
Anker Memory Bell, Fairport Harbor  
Jeffrey George Bell, Columbus  
Paula Kay Belcastro, Columbus  
Michael Gregory Bendinelli,  
Portsmouth

Leo Leon Bennett, Northfield  
Constance Ann Benson, Columbus  
David Luis Fernando Benson,  
Mansfield

John Whitt Bentine, Ironton  
Debra Ann Blazak,  
Broadview Heights

Roger Craig Blocher, Akron  
Allan Bloomfield, University Heights  
David Edward Boker, Warren  
Teri Lou Bollinger, Columbus  
Daniel Earl Bond, Newbury  
Janet Louise Born, Akron  
Gary Lynn Bostelman, Napoleon

Vlasicu Alin Botoman, Columbus  
David Oliver Bowman, Columbiana  
Marjorie Crowder Briggs, Columbus  
Terrence Lee Bowshier, Grove City  
Suzanne Louise Bowyer, Toledo  
Geoffrey Lee Braden, Canton  
Gregory Lee Braden, Canton  
Katherine Elaine Brownson, Ashland  
John Michael Budde, Dayton  
Kenneth Allen Bulen, Eron  
Anthony Donald Bullock, III,  
Cincinnati

Margaret Ryan Burns, Columbus  
Thomas Davie Burr, Elyria  
Patrick John Byrne, Rocky River  
Patricia Lynn Shilling Camana,  
Kettering

Gary Michael Camp,  
Parkersburg, W. Va.  
Barbara Joann Campbell, Hamilton  
Diana Louise Cardina, Akron  
Kevin Gerard Carrabine,  
Fairview Park

Dawn Diana Caughron, Cincinnati  
Walter Kerfoot Chess, Jr.,  
New Concord

Linda Marie Clark, Wooster  
Vicki Lee Cochran, Mt. Vernon  
Debra Dillinger Cochrane, Columbus  
Raymond Lane Collins, Defiance  
Frederick Stanley Coombs, III,  
Youngstown

Connie Lynn Cornett, Greenville  
Steve Michael Cox, Westerville  
Connie Sue Craun, Burgoon  
Carol Buck Cravan, Columbus  
Deborah Hill Crawford, Worthington  
Barbara Diane Crow, Pittsburgh, Pa.

James Douglas Crowell, Columbus  
Richard Eugene Crowell, Defiance  
James Peables Cushman, Columbus  
Rose Blau Dabek, Columbus  
Marguerite Anne Daugherty,  
Columbus

Deborah Ann Davis, Worthington  
Donna Cecelia Davis, Mingo Junction  
Mary Alice Debrosse, Coldwater  
Leigh Carolyn Denham, Columbus  
Debra Jane Denzin, Xenia  
Russell Warren Dern, Springfield  
Earl Keller Desmond, Delaware  
Michael Carlos Diaz, Defiance  
Donald Lewis Dixon, Worthington  
Phillip Eldon Donner, Columbus  
William Peter Driscoll, Youngstown  
Mary Katherine Drury, Willard  
Zane Frederick Dubour,  
Orange, Mass.

David Ned Dunbar, Defiance  
Jeffrey Duane Dunlap, Akron  
Barbara Jean Dunn, Mansfield  
David Lee Dykhuizen,  
Milwaukee, Wis.

James Ray Ebert, Novelty  
Sue Ellen Ecklar, Englewood  
Thomas Patrick Edgar, Lyndhurst  
Donn Gerald Ellerbrock, Columbus  
Robert Paul Ellis, Lorain  
Barbara Ann Enneking, Dayton  
John Thomas Erikson, Oradell, N. J.  
Daniel Edward Evans,  
Mineral Ridge

Anne Fabry, Shrewsbury, N. J.  
Jo Anne Fannin, Willoughby  
Alice Gray Fenton, Columbus  
Patricia Kay Fill,  
Montevideo, Uruguay  
Christine Marie Finkes, Solon  
Thomas Joseph Fiscus,  
Mechanicstown

Mary Louise Fiedlerjohann,  
New Knoxville  
William Harry Frank,  
Garfield Heights  
Michael Henry Frankel, South Euclid  
Gregory Allen Gallagher, Barnesville  
Howard Marc Garfinkel,  
Shaker Heights

James William Garling, Columbus  
Carol Faye George, Fulton  
Steve Paul Gibb, Marion  
Samuel S. Giesige, Holgate  
Brenda Pobst Gibson, Circleville  
Deborah Crow Gilkey, Columbus  
Frederick M. Gittes, Columbus  
Linda Sue Glessner, Anna  
Bonnie Sue Glisson, Akron  
Steven Robert Goldsmith, Columbus  
Richard Frank Gooding, Sherrordsville  
Marvin Alan Greenberg,  
University Heights  
Thomas Lee Greene, Bryan  
James Henry Grendell, South Euclid

Myra Pauline Grossman,  
Plainfield, N. J.

Kathleen Ann Guy, Columbus

Michelle Linda Guy, Wadsworth

Charles Gregory Hagedorn, Cincinnati

Angela Lu Halbedel, Newark

Susan Lewis Haller, Fairfax, Va.

Jeffrey Dale Hamm, Heath

Reed Kenneth Harney, Columbus

Marlin Jay Harper, Barnesville

Jeffrey Alan Hassler, Shelby

Pamela Joy Hastings, Kettering

Robert Lee Hawkins, McDonald

Willard Lee Hawkins, Jr.,  
New Windsor, Md.

Deborah Jane Hayes, Elyria

Douglas Lee Haynam, Pepper Pike

Edwin Louis Herbert, III,  
Worthington

Richard Jerome Herr, Wooster

Margaret Anne Hersman, Doylestown

Julie Ann Heyl, Wheeling, W. Va.

David Lynn Hicks, Columbus

Roberta Kay Hofer, Freeman, S. D.

Marvin John Huck, Marietta

Allen Louis Huneke, Eaton

Deborah Jo Husted, Columbus

Janis Lynne Huston, Napoleon

John David Hvizdos, Columbus

Thomas Michael Jacobs, Minster

Jody Ann Jelley, Columbus

Steven Wash Jemison, Chicago, Ill.

Jeffrey Rutledge Jinkens, Columbus

Jon Robert Johnson, Kidron

Mark William Johnson, Cincinnati

Deborah Ann Jordan, Cuyahoga Falls

Robert George Joseph, Lakewood

Robinson Wells Joslin, Sidney

Merilyn Lea Kampe, Columbus

Gayle Joan Karhoff, Spencerville

Michael Dean Kauffman, Wooster

John William Keeling, Columbus

Thomas Joe Keener, Ashland

Jeffrey Clark Keller, Canton

Robert Daniel Keller, Columbus

David Keith Kelley, Miami, Fla.

Terrence Patrick Kessler,  
North Canton

Gregory Alan Kidwell, Hillsboro

Joan Terese Kilpatrick, Columbus

Jutta Erica Christa Klebow,  
Brunswick

Paula Anne Kleshinski, Mansfield

Charles Anthony Koenig, Mentor

John Henry Kozich, Lorain

Michelle Diane Kreager, Avon Lake

Nancy Lee Kreager, Newark

Onalee Jean Kreager, Avon Lake

Richard Arden Kress, Massillon

Steven Peter Lankton, Midland, Mich.

Shelby Smith Larsen, Columbus

Bradley Alan Latham, Plainfield

Janice Schwab Laughlin, Columbus

Cheryl Lynn Lawrence, Lima

Kenneth Bain Leachman, Adamsville

Lucy Marie Leathers,  
Falls Church, Va.

Mark William Lehman,  
Middleburg Heights

Kathy Marie Lemmel, Shiloh

Carol Cramer Lewis, Cincinnati

Ellen Lewis, Oberlin

Nancy Jane Lewis, Columbus

Jeffrey Stockwell Limes, Hillsboro

Donald Eugene Long, Chagrin Falls

Jodine Alexander Long, Westerville

Christina Anne Longo, Steubenville

Jonalyn Ellen Loughner, Lakewood

Anthony Ralph Lucia,  
West Haven, Conn.

Kathleen Ann Luebbers, Cincinnati

Roger Albert Mack, Defiance

George Vincent Madden, Columbus

Vicki Lynne Magill, Chillicothe

Martin Alan Marks,  
University Heights

Douglas Gerry Martin, Columbus

Jacquelyn Lou Martin, Westerville

Mary Susan Martin, Lakewood

Charles Jacob Marty, Bridgeport

Robert Angelo Mascia,  
Fairfield, Conn.

Pamela Ann Mathews, Gahanna

James Steven Mauler, Bucyrus

Barbara Avery Maurer, Columbus

John Gregory Maxa, Kettering

Neill William McCarthy, II,  
Fairview Park

Wayne William McCarty, Huron

Dianne Catherine McClave,  
Steubenville

Edward Thomas McClellan,  
Avon Lake

Susan Loretta McColloch, Columbus

Cathy Jeanne McDowell, Worthington

Dennis Lee McGinn, Columbus

Mary Antenen McIlroy, Hamilton

William Locke McKenzie, Columbus

Daniel Gene Merrill, Salem

William James Messner, Uniontown

Michele Catherine Milicia, Wickliffe

Clinton Joseph Miller, Delphos

Jeffrey Lee Miller, Bridgeport

Richard Herman Miller, Carrollton

Steven Edson Miller, Chagrin Falls

Rita Ferris Minnick, Fairborn

Robert Allen Minor, Columbus

Lynette Marie Misko, Martins Ferry

Thomas Wesley Mitchell, Jackson

William Stephen Modi,  
Wilmington, Del.

Craig Joseph Mohnacky, Parma

Gary Clifford Mohr, Prospect

Patrick Timothy Moore, Cincinnati

William Roger Moore, Kent

Robert Francis Morand, Cincinnati

Anne Kirste Morrow, Galena

Dixie Frieson Moss, Yellow Springs

Michael Lee Moushey, Alliance

Kevin Peter Mulrane, Findlay

Karen Joyce Murphy, Mansfield

Martha Jane Murray, Portsmouth

Kathleen Louise Myers, Bellville

Roger David Nease, Minersville

Michael Roger Neds, Columbus

Diana Jeanne Nelson, Solon

Michael Gregory Norman, Aurora

Diane Messick Null, Newark

Michael Edward Nylin,  
Canoga Park, Calif.

Kathleen Marie O'Brien, Columbus

Nancy Eaton O'Neill, Granville

Jan Samuel Ostrovsky,  
Cleveland Heights

Janis Eileen Ott, Cincinnati

Lynette Pudvin Overbey,  
Bethlehem, Pa.

Christy Dresbach Owens, Columbus

Walter Mark Parks, Rinard Mills

Senay Vecihe Pasinler, Columbus

Larry George Paulson,  
Brigham City, Utah

Edward Richard Percy, Jr., Whitehall

Joan Elaine Peterson, Fairview Park

Larry Allen Pfeifer, Columbus

Laurel Lynne Phillips, Reynoldsburg

Philip Sanford Phillips, Columbus

Donald Thomas Plank, Columbus

Jane Ellen Plank, Columbus

Joan Marie Port, Canton

Thomas Jon Poulton, Columbus

Alice Anne Powers, Columbus

Ronald Eugene Prater, New Concord

Sandra Fowler Pyles, Heath

John Patrick Quinn, Akron

Timothy John Quinn, Cincinnati

Deborah Kay Reed, Peebles

Stephan G. Regulinski, Dayton

Paul Reifer, Pittsburgh, Pa.

Kathleen Ann Reinhardt, Okeana

Frank Blaine Reynolds, Columbus

Frederick William Rice, Dublin

Debra Waibel Riley, Columbus

Judith Ann Ritchey, Fredericktown

Franklin Morris Rizer, Pomeroy

Anne Conant Rogers, Hillsboro

Richard Keller Rohde, Columbus

Howard Jay Rosenberg,  
Great Neck, N. Y.

Nicholas Steve Roulakis, Campbell

Alice Irene Ruddy, Columbus

Barbara Ann Rudy, Columbus

Catherine Mary Rulis, North Olmsted

Patrick Joseph Russell, Mansfield

Marianne Russin, Steubenville

Maureen Binder Ryan, Columbus

Horton Perry Ryan, Tacoma, Wash.

Jeffrey Steven Sams, Fairview Park

Richard Thomas Sargeant, Bellevue

Bernard Joseph Schaeff, Kettering

Ronald Merlin Schulte, Genoa

Terrence Hugh Scullin, Hubbard

Alan Frank Sedlak, Brook Park

Willis Otto Serr, Columbus

William Curtis Severns, Cambridge

Mary Ann Sharkey, North Canton

Mary Teresa Shay, Springfield

- Kathleen Elizabeth Shear,  
Bay Village  
Deborah Nemetz Sheppard,  
North Olmsted  
David William Shie, Westlake  
Louise Ellen Sidner, Grove City  
April Kay Sievert, Elyria  
Thomas John Sigmund, Parma  
Lee Thomas Simon, East Palestine  
Sandra Pacholke Simons, Eastlake  
Christy Richards Slavik, Bay Village  
Evan Scott Sloan, Tenafly, N. J.  
Sandra Callahan Snavelly, Mansfield  
Valerie Jane Snyder, Wooster  
Allan Jay Solomon, Canton  
Dawn Smith Speece, Berlin Center  
Robert Terry Sperling, Columbus  
Rochelle Fatt Steinberg, Granville  
Steven Michael Steinberg, Toledo  
Sheryl Stonecipher, Wapakoneta  
Barbara Helle Stough, Millersport  
Kevin Christopher Strait, Ashland  
Chris Meade Streifender,  
Warrensville Heights  
Marilynn Leona Stuart, Columbus  
David Wenrich Stuckey,  
Green Springs  
Sandra Sue Sumser, Hamilton  
Sherri Lynn Swenson, Worthington  
Deborah Sigrid Taylor,  
Nashville, Tenn.  
Steven Walter Tigges, Columbus  
Christine Louise Utley,  
Richmond Heights  
Roger Gilbert Vaccariello, Huntsburg  
Patricia Kay Veroff, Columbus Grove  
David George Wagner, Westlake  
Raymond Scott Wagner,  
Garfield Heights  
Janet Ridge Walker, Columbus  
Philip Harold Wallace, Van Wert  
Randall Mitchell Walters, Columbus  
Gary Stephen Watson, Worthington  
Thomas Phillip Webster, Lowell  
Raymond Thomas Weiss,  
Cleveland Heights  
Barbara Starbuck Welch, Hillsboro  
Russell Allan Wells, Phoenix, Ariz.  
Ellen Jane Wetherbee, Columbus  
Barbara Jo Wetters, Worthington  
Cynthia Jane White,  
Middleburg Heights  
Alec Wightman, Euclid  
Elena Arana Williams,  
San Sebastian, Spain  
James Roy Williams, Cincinnati  
Susan Marie Wilson,  
Taichung, Taiwan  
William Ernest Wilson,  
Mingo Junction  
Karen Loeb Wolfinger, Lancaster  
Julia Anne Wolford, Newark  
Jacqueline Denton Wollam, Lancaster  
Margaret Katharine Wood,  
Washington C. H.  
Renee Jane Yerak, Willoughby Hills  
Linda Jane Yoder, Columbus
- Nancy Thomson Youngs, Galion  
Michael E. Zatezalo, Weirton, W. Va.
- Cum laude and with Distinction in Agronomy**  
Patrick William Corcoran,  
Chillicothe
- Cum laude and with Distinction in Agricultural Education**  
Richard Lynn Crawford, West Union
- Cum laude and with Distinction in Animal Science**  
Stanley Alvin Hastings, Fostoria
- Cum laude and with Distinction in Art**  
Virginia Sonneborn Howlett,  
Purdys, New York
- Cum laude and with Distinction in Classics**  
Michael Robert Klabunde,  
North Olmsted
- Cum laude and with Distinction in Forest Industrial Management**  
Michael Conrad House, Westerville
- Cum laude and with Distinction in Genetics**  
Barbara Gay O'Keefe, Urbana  
Thomas Joel Zupancic,  
Cleveland Heights
- Cum laude and with Distinction in Geography**  
Thomas Anthony Maraffa, Columbus
- Cum laude and with Distinction in History of Art**  
Gary Lee Strawn, Mansfield
- Cum laude and with Distinction in Home Economics**  
Barbara Sherman, Cleveland  
Analie Lynn Wolfe, Curtice
- Cum laude and with Distinction in Mathematics**  
Roger Kenneth Quillen,  
Newcomerstown
- Cum laude and with Distinction in Medieval and Renaissance Studies**  
James Joseph Frasca, Cincinnati
- Cum laude and with Distinction in Psychology**  
Vicki Ann Underwood, Columbus
- Cum laude and with Distinction in Rural Sociology**  
Brenda Sue McClenathan, Cardington
- Cum laude and with Distinction in Sociology**  
Rebecca Jane Hope, Ravenna
- Cum laude and with Distinction in Theatre**  
Robert Marvin Knotts, Columbus
- Cum laude and with Distinction in Wildlife Management**  
William Thomas Bridgeland,  
Olmsted Falls
- Cum laude and with Distinction in Zoology**  
Donald Stanley Amdur,  
University Heights  
Thomas Edward Lammertse, Akron
- With Distinction in Agronomy**  
Marvin Eugene Schultz, Versailles
- With Distinction in Animal Science**  
Daniel Joseph Hellwarth, Celina
- With Distinction in Economics**  
Rex Canon Jonnson, Oregon
- With Distinction in English**  
Shirley Redpath, Willard
- With Distinction in Fisheries Management**  
Danny Lee Mercer, New Philadelphia
- With Distinction in French**  
Estelle Louise Davidson, Dayton  
Mark William Parker,  
Eglin AFB, Fla.
- With Distinction in Geography**  
Christine Ann Clowe, Carroll  
Milford Bennett Green, Columbus  
Timothy L. Nyerges, Parma
- With Distinction in Genetics**  
Margot Kaelbling,  
Ulm, West Germany
- With Distinction in Geology and Mineralogy**  
Charles Emerson Mitchell, Lebanon
- With Distinction in Mathematics**  
Bryce David Morgan,  
North Olmsted
- With Distinction in Parks and Recreation Administration**  
Jennifer Ruth Young, Chagrin Falls
- With Distinction in Political Science**  
Dennis Arthur First,  
Amityville, New York  
Andrew James McCarthy, Hudson
- With Distinction in Psychology**  
James Chapman Treyens, Columbus
- With Distinction in Wildlife Management**  
James Roger Barborak, Xenia

THE OHIO STATE UNIVERSITY  
OFFICIAL PROCEEDINGS OF THE  
ONE THOUSAND ONE HUNDRED AND EIGHTH MEETING  
OF THE BOARD OF TRUSTEES

Columbus, Ohio, June 6, 1975

The Board of Trustees met at its regular monthly meeting on Friday, June 6, 1975, at The Ohio State University Fawcett Center for Tomorrow, Columbus, Ohio, pursuant to adjournment.

Present: John H. Dunlap, Chairman, William C. Safford, M. Merle Harrod, John L. Gushman, Howard D. Sirak, Patricia D. James, Chester Devenow, and Warren J Smith.

\* \* \*

Minutes of the last meeting were approved.

\* \* \*

June 6, 1975 meeting, Board of Trustees

COMMITTEE APPOINTMENTS - 1975-1976

Mr. Dunlap made the following statement:

Since our last meeting I have given a great deal of thought to how we might realign this Board's committee structure so as to fulfill our responsibilities as a Board in a more effective manner. It is my conclusion that one way this might be done, which I would like to recommend to you is to consolidate the former four committees of this Board into two working committees: the Educational Affairs Committee and the Fiscal Affairs Committee.

I would suggest that the Educational Affairs Committee have the same range of responsibilities as it has since it was created two years ago and which, incidentally, has kept it very active during this period. The Fiscal Affairs Committee, however, would incorporate all of the activities of the former Finance Committee as well as the Buildings and Grounds and the Insurance and Retirement Committees. As you know, while each of these areas is exceedingly important to this Board, based upon past experience I believe these activities could be effectively incorporated into one committee. And by having only these two standing committees, it would be possible to have each Board member serve on one of these two committees, eliminating the conflicts for those who have had two committee assignments, which occurred in the past due to overlapping meetings; and further, to spread the work load more evenly.

I would like to announce today the membership to both of these committees. I am asking that Mr. Gushman, Mr. Hilliker, Mrs. James and Dr. Sirak serve on the Educational Affairs Committee for this coming year, with Mr. Gushman serving as Chairman and Dr. Sirak as Vice Chairman. I am further requesting that the membership of the Fiscal Affairs Committee include Mr. Devenow, Mr. Harrod, Mr. Safford and Mr. Smith, with Mr. Devenow serving as Chairman and Mr. Harrod as Vice Chairman. Further, I am requesting that Mr. Devenow and Mr. Smith continue to serve on the Development Fund Board. I am also requesting that Mr. Smith serve as this Board's representative to the Inter-University Council, and that I be allowed to complete my term as a member of the Research Foundation Board.

I am now asking for your approval of the above appointments.

Upon motion of Mr. Safford, seconded by Mr. Harrod, the Board of Trustees by unanimous voice vote approved the nominations to the Committees and the representatives to the Research Foundation Board of Directors, the Development Fund Board of Directors, and the Inter-University Council.

\*

\*

\*



June 6, 1975 meeting, Board of Trustees

RESOLUTIONS IN MEMORIAM

President Enarson reported to the Board the deaths of Josef N. Knull, Professor Emeritus in the Department of Entomology; John William Means, Professor Emeritus in the Department of Surgery; and William Henry Watson, Jr., Associate Dean of University College and Professor in the Department of Agricultural Education. In accordance with the instructions of the Board of Trustees, copies of the following resolutions expressing on behalf of the University the sorrow and sympathy of the Board will be furnished the families of the deceased.

A. Josef N. Knull

The Board of Trustees of The Ohio State University expresses its sorrow at the death on April 24, 1975, of Josef N. Knull, Professor Emeritus in the Department of Entomology.

Professor Knull was born in Harrisburg, Pennsylvania, on October 12, 1891, and was educated in the public schools in that city. He graduated from Pennsylvania State College with the B.S. degree and a major in biology in 1915, and was awarded the M.S. degree in 1924 from The Ohio State University.

After employment with the Pennsylvania State Bureau of Plant Industry, the Pennsylvania State Department of Forests and Water, and the U. S. Department of Agriculture, he accepted the position as Curator of Insects and Assistant Professor of Zoology and Entomology at Ohio State University in 1934. During the following 28 years, Joe and his wife, Dorothy (Ph. D. in Entomology), devoted their life to the collection, arrangement, and expansion of the Ohio State Insect Reference Collection. They took extensive collecting trips throughout the United States and Canada collecting and classifying many new species, collecting rare specimens and establishing new distribution records. Thanks to their painstaking efforts and meticulous care, the University now has one of the outstanding insect reference collections in the world with more than three million specimens.

Although Professor Knull was interested in all insects, he was particularly fascinated by the beetles that infested our forests. He was recognized as a world authority on the following families of insects: Buprestidae, Cerambycidae, Elateridae, and Cleridae. He described many new species, published more than 174 scientific papers which included his own superb illustrations.

His membership in professional societies included the Society of Systematic Zoologists, Entomological Society of America, Coleopterists Society, Ohio Academy of Science, Sigma Xi, American Association of Economic Entomologists, Gamma Alpha, and Gamma Sigma Delta. He was an emeritus member in the Entomological Society of America and Ohio Academy of Science. He has served as President and Secretary of the Entomological Workers of Ohio. In addition, he was a member of many Masonic bodies, Columbus Audubon Society, Columbus Entomological Society, Wheaton Club, and The Ohio State University Alumni Association.

RESOLUTIONS IN MEMORIAM (continued)

A. Josef N. Knull (continued)

On behalf of the University community, the Board of Trustees expresses to the family of Professor Knull its deep sympathy. It was directed that this resolution be inscribed in the minutes of the Board of Trustees and that a copy be tendered to the family as sincere expression of the Board's realization of the loss which the family has sustained.

B. John William Means

The Board of Trustees of The Ohio State University expresses its sorrow at the death on March 30, 1975, of John William Means, Professor Emeritus in the Department of Surgery.

John William Means was born in Christiansburg, Ohio, on August 10, 1886, the son of William J. and Estella Thomas Means. Following graduation from North High School in Columbus in 1903, he enrolled in the College of Arts of The Ohio State University, and then the Dental College of Ohio Medical University, graduating with a D. D. S. in 1906. He was admitted the same year to the School of Medicine of the University of Pennsylvania and received his M. D. in 1909.

After spending a year as a House Officer at the old Howard Hospital in Philadelphia, he returned to Columbus in 1910 to enter practice with his father, William J. Means, M. D. (the first Dean of The Ohio State University College of Medicine). Doctor John W. Means, the son, was appointed an Instructor in Surgery at Starling Ohio Medical School, which later became the College of Medicine of The Ohio State University in 1914.

In the summer of 1914, Dr. Means studied under Dr. Mallory in the Department of Pathology at Harvard and also with Dr. David Cheever and Dr. John Homans at the Peter Bent Brigham Hospital in Boston in their surgical clinics. The following year, 1915, he studied under Dr. John Speese in Pathology at the University of Pennsylvania and Dr. George Mueller in Surgery at the same institution.

At the outbreak of World War I, he was commissioned in the United States Army and served overseas as a surgeon heading a team doing reconstructive oral surgery. He was honorably discharged with the rank of Lieutenant Colonel. Upon return to civilian life, he was appointed Assistant, then Associate, and finally Clinical Professor of Surgery (1938). Following this, he continued his academic surgical career, retiring with the rank of Professor Emeritus in the Department of Surgery.

Dr. Means published numerous articles during his career. In 1915, he and Doctor Forman published a laboratory manual of surgical pathology which went through two editions. He was an author and co-author on many subjects, including treatises on the breast, gallbladder, liver, oral surgery and bowel. In 1938, in conjunction with Dr. C. Joseph DeLor, he was co-founder of the Liver and Gallbladder Clinic which subsequently became the Division of Gastroenterology in 1944.

RESOLUTIONS IN MEMORIAM (continued)

B. John William Means (continued)

Dr. Means was a member of the Academy of Medicine of Columbus and Franklin County, Ohio State Medical Association, American Medical Association, 50-Year Club of American Medicine, Sigma Xi Scientific Honorary Society, a charter member of the Columbus Surgical Society, a Fellow of the American College of Surgeons and the American College of Gastroenterology.

On behalf of the University, the Board of Trustees expresses to the family its deep sympathy and sense of understanding in its loss. It was directed that this resolution be inscribed upon the minutes of the Board of Trustees and that a copy be tendered to the family as a humble expression of the Board's heartfelt sympathy in its bereavement.

C. William Henry Watson, Jr.

The Board of Trustees of The Ohio State University expresses its sorrow at the death on May 14, 1975, of William Henry Watson, Jr., Associate Dean of University College and Professor in the Department of Agricultural Education.

Dr. Watson was born on March 27, 1913, at Portsmouth, Virginia. He completed his early education in Virginia and at the youthful age of 20 received a B.S. degree from Hampton Institute, Hampton, Virginia, majoring in French. In 1944, he received a M.A. degree in education from Hampton Institute, and in 1948, he received a doctorate in education from New York University. He also studied as a postdoctoral student at the Universities of London, Paris, and Heidelberg.

Early in his career, Dr. Watson held teaching positions in the public schools of North Carolina. He was widely recognized for his innovative administrative leadership while serving from 1942 to 1957 as high school principal in Dover, Clinton, Winston Salem, and Raleigh, North Carolina. In 1957, he became Assistant Principal of Roosevelt High School in Gary, Indiana, and in 1960, was appointed as the first black principal of Froebel High School in Gary. Dr. Watson was Director of the Peace Corps in Liberia, West Africa, from 1964 through 1966 where he had supervisory responsibility for 400 Peace Corps volunteers. In 1966, he returned to Gary, Indiana, to serve as General Supervisor for Secondary Education. He was named as Special Assistant to the Superintendent for School-Community Relations in 1968.

Dr. Watson was named Assistant Superintendent for Urban Education in Dayton, Ohio, in 1969, a position he held until he assumed his posts at Ohio State on July 1, 1971.

In joining the staff of The Ohio State University as an Associate Dean, Dr. Watson gave administrative leadership to developing unique supportive educational programs for University College students on the five campuses

June 6, 1975 meeting, Board of Trustees

RESOLUTIONS IN MEMORIAM (continued)

C. William Henry Watson, Jr. (continued)

of the University. The Developmental Education program has become a prototype for other institutions throughout the nation.

In addition to serving as a Visiting Professor at North Carolina Central University and consultant to many community and educational organizations, Dr. Watson was a member of the NAACP, Kiwanis, Phi Delta Kappa, Omega Psi Phi, and the Newcomen Society of North America. His spirited leadership of the University College United Way Campaign aptly demonstrated his personal concern for the welfare of others.

In his four years at Ohio State, Dr. Watson left an indelible mark upon the lives of many, especially those students who are served so effectively by the Developmental Education program.

On behalf of the University, the Board of Trustees expresses to the family its deep sympathy and sense of understanding in its loss. It was directed that this resolution be inscribed upon the minutes of the Board of Trustees and that a copy be tendered to the family as a humble expression of the Board's heartfelt sympathy in its bereavement.

\*

\*

\*

STATEMENT ON BUDGET FOR 1975-1976

The President, in introducing his agenda, indicated that he was unable to present a budget for the coming fiscal year (1975-1976) at this time, since the Ohio General Assembly had not as yet acted upon the University's Appropriation Bill. He indicated he had informed the faculty that their contracts would not be acted upon at the June meeting of the Board as has generally been done in the past, but rather deferred to the July Board meeting because of the lack of an Appropriation Bill. The President indicated that he has scheduled the University's budget presentation for the next regularly scheduled meeting, July 11.

President Enarson then presented the following recommendations:

I. GENERAL RECOMMENDATIONS

A. Naming of Building

Upon the recommendation of the Athletic Council and with the concurrence of the President's Staff, President Enarson recommended that the Club House at the University Golf Course located at 3605 Tremont Road be named the "Robert H. Kepler Club House," to honor Robert H. Kepler who served as Golf Coach from 1938 until his retirement in 1966.

This recommendation is in accordance with the Bylaws of the Board of Trustees.

Upon motion of Mr. Harrod, seconded by Mr. Gushman, the Board of Trustees approved the foregoing recommendation by unanimous voice vote.

June 6, 1975 meeting, Board of Trustees

I. GENERAL RECOMMENDATIONS (continued)

B. Establishment of Managerial Group to Act for and on Behalf of The Ohio State University

To accommodate the annual requirement for the processing of personnel clearances for access to classified information as provided for in the Industrial Security Manual for Safeguarding Classified Information, President Enarson recommended that persons occupying the following positions among the officers of The Ohio State University shall be known as the Managerial Group:

President	Vice President for Educational
Provost	Services
Vice President for Business	Secretary, Board of Trustees
and Administration	National Security Officer

The Chief Executive and the members of the Managerial Group either have been or will be processed for a personnel clearance for access to classified information, to the level of the facility clearance granted to this institution, as provided for in the Industrial Security Manual.

This Managerial Group is delegated all of the Board's duties and responsibilities pertaining to the protection of classified information under classified contracts of the Department of Defense or User Agencies of its Industrial Security Program awarded to The Ohio State University.

The following named officers and members of the Board of Trustees shall not require, shall not have, and can be excluded from access to all classified information in the possession of The Ohio State University and do not occupy positions that would enable them to affect adversely the policies and practices of The Ohio State University in the performance of classified contracts for the Department of Defense or User Agencies of its Industrial Security Program, awarded to The Ohio State University, and accordingly need not be processed for a personnel clearance.

BOARD OF TRUSTEES

Chester Devenow	Patricia D. James (Mrs.)
John H. Dunlap	William C. Safford
John L. Gushman	Howard D. Sirak
M. Merle Harrod	Warren J Smith

C. Exemption from Security Clearance of Certain Trustees

In compliance with the Industrial Security Manual for Safeguarding Classified Information, it was recommended that an Executive Body composed of the President, the Provost, and the Secretary of the Board of Trustees fill in the exempt Trustees and execute the adopted Resolution on behalf of the Board of Trustees.

June 6, 1975 meeting, Board of Trustees

I. GENERAL RECOMMENDATIONS (continued)

C. Exemption from Security Clearance  
of Certain Trustees (continued)

This exemption is requested since all Trustees are not appointed at the same time; and the exempt Trustees must be listed by name on the adopted action as approved by the Board of Trustees.

Upon motion of Mr. Safford, seconded by Mr. Gushman, the Board of Trustees approved the foregoing recommendations by unanimous voice vote.

\*

\*

\*

II. PERSONNEL ACTIONS

Personnel actions since the May 2, 1975 meeting of the Board, as recorded in the official "Salary Roll" of the University, include the following Appointments, Leaves of Absence Without Salary, and Emeritus Titles:

A. Appointments

Jewell L. Vroonland, Director of Admissions, Office of Registration Services, effective June 16, 1975, at a salary of \$21,168.00 per annum.

Michael J. Kindred from Professor in the College of Law to Associate Dean for Academic Affairs and Professor in the College of Law, effective July 1, 1975, at a salary of \$35,568.00 per annum.

Kevin Ryan, Associate Dean for Program Development in the College of Education, effective September 1, 1975, at a salary of \$32,208.00 per annum. Dr. Ryan will hold an academic appointment as Professor in the Academic Faculty of Curriculum and Foundations.

Mac A. Stewart from Assistant Dean, University College, to Acting Associate Dean, University College, effective June 6, 1975, at a salary of \$18,288.00 per annum.

George R. Gist from Acting Associate Director and Professor, Cooperative Extension Service, to Associate Director and Professor, Cooperative Extension Service, effective July 1, 1975, at a salary of \$39,048.00 per annum. He will continue as Professor in the Department of Agronomy at No Salary.

Ted L. Jones, Assistant Director (Agricultural Industry), Cooperative Extension Service, effective July 1, 1975, at a salary of \$33,288.00 per annum. Dr. Jones will continue to hold an academic appointment as Professor in the Department of Agricultural Economics and Rural Sociology (No Salary).

June 6, 1975 meeting, Board of Trustees

II. PERSONNEL ACTIONS (continued)

A. Appointments (continued)

C. Richard Dorn, Professor and Chairman, Department of Veterinary Preventive Medicine, effective July 1, 1975, at a salary of \$34,008.00 per annum.

Russell R. Dynes from Professor and Acting Chairman, Department of Sociology, to Professor and Chairman, Department of Sociology, effective October 1, 1975, at a salary of \$30,396.00 per annum.

Atis K. Freimanis, Professor and Chairman, Department of Radiology, effective January 1, 1976, at a salary of \$35,088.00 per annum.

Gordon E. Gatherum from Acting Associate Dean in the College of Agriculture and Home Economics, Professor and Acting Director in the School of Natural Resources (part time) and Professor in the Cooperative Extension Service (part time), to Associate Dean in the College of Agriculture and Home Economics, Professor and Director in the School of Natural Resources (part time), and Professor in the Cooperative Extension Service (part time), effective June 1, 1975, at a salary of \$24,840.00 per annum. Dr. Gatherum will continue his appointment at the Ohio Agricultural Research and Development Center for 20 percent time.

James L. Golden from Professor and Acting Chairman in the Department of Communication to Professor and Chairman, Department of Communication, effective October 1, 1975, at a salary of \$29,928.00 per annum.

Aaron J. Miller from Associate Professor and Acting Chairman in the Academic Faculty of Vocational-Technical Education to Professor and Chairman, Academic Faculty of Vocational-Technical Education, effective July 1, 1975, at a salary of \$28,968.00 per annum.

Herbert S. Parnes from Professor and Acting Chairman, Academic Faculty of Labor and Human Resources (part time 35 percent), to Professor and Chairman, Academic Faculty of Labor and Human Resources (part time 35 percent), effective July 1, 1975, at a salary of \$9,534.00 per annum. Dr. Parnes will continue to serve as Professor in the Department of Economics at a salary of \$18,078.00 per annum.

June 6, 1975 meeting, Board of Trustees

II. PERSONNEL ACTIONS (continued)

A. Appointments (continued)

Robert J. Stull from Professor, Department of Black Studies, to Professor and Acting Chairman, Division of Art (part time 25 percent), and Professor, Department of Black Studies (part time 75 percent), effective July 1, 1975, at a salary of \$30, 528.00 per annum.

B. Leaves of Absence Without Salary

Richard D. Altick, Professor, Department of English, effective January 1, 1976 through September 30, 1976, to accept a John Simon Guggenheim Memorial Fellowship.

F. Joe Crosswhite, Professor, Academic Faculty of Science-Mathematics Education, October 1, 1975 through September 30, 1976, to serve as Program Manager, Division of Pre-College Education in the Sciences, National Science Foundation, Washington, D. C.

Ilse Lehiste, Professor, Department of Linguistics, effective January 1, 1976 through September 30, 1976, to do research at the Center for Advanced Study in the Behavioral Sciences, Stanford, California.

Robert L. Beran, Associate Professor, Department of Anatomy, effective July 1, 1975 through June 30, 1976, to serve as Coordinator of Medical Education Contract at Association of American Medical Colleges in Washington, D. C.

Hao Chang, Associate Professor, Department of History, effective January 1, 1976 through September 30, 1976, to accept a grant from American Council of Learned Societies to do research on Chinese civilization.

Robert L. Chazan, Associate Professor, Department of History, effective October 1, 1975 through September 30, 1976, to teach at Tel Aviv University.

Yousef Marzeki, Associate Professor, School of Architecture, effective October 1, 1975 through September 30, 1976, to engage in professional improvement to achieve objectives in professional planning and urban design, academic research, and public service.



June 6, 1975 meeting, Board of Trustees

II. PERSONNEL ACTIONS (continued)

B. Leaves of Absence Without Salary (continued)

Donald O. Parsons, Associate Professor, Department of Economics, effective October 1, 1975 through September 30, 1976, to accept a Faculty Research Fellowship, National Bureau of Economic Research, Palo Alto, California.

Walter Scheps, Associate Professor, Department of English, effective October 1, 1975 through March 31, 1976, to serve as Visiting Associate Professor of English at the State University of New York, Stony Brook, Long Island, New York.

Inderjit Singh, Associate Professor, Department of Economics, effective October 1, 1975 through September 30, 1976, to do research for the International Bank of Reconstruction and Development (World Bank), Washington, D. C.

Herbert F. Weisberg, Associate Professor, Department of Political Science, effective October 1, 1975, through September 30, 1976, to serve as a Sherman Fairchild Distinguished Scholar at California Institute of Technology.

Joseph H. Lynch, Assistant Professor, Department of History, effective October 1, 1975 through September 30, 1976, to accept an American Council of Learned Societies Fellowship.

Daniel Wisecarver, Assistant Professor, Department of Economics, effective October 1, 1975 through September 30, 1976, to accept a position with National Planning Council (CONAPLAN) of the government of El Salvador.

C. Emeritus Titles

Ernest W. Bowerman, Department of Chemistry, with the title Professor Emeritus, effective July 1, 1975.

James Adam Jordan, Department of Mechanical Engineering, with the title Professor Emeritus, effective July 1, 1975.

Paul MacMinn, Academic Faculty of Special Services, with the title Professor Emeritus, effective July 1, 1975.

June 6, 1975 meeting, Board of Trustees

II. PERSONNEL ACTIONS (continued)

C. Emeritus Titles (continued)

Ross L. Mooney, Academic Faculty of Educational Development, with the title Professor Emeritus, effective July 1, 1975.

Ralph M. Stogdill, Academic Faculty of Management Science, with the title Professor Emeritus, effective July 1, 1975.

Garth W. Volk, Department of Agronomy, with the title Professor Emeritus, effective July 1, 1975.

Margaret D. Blickle, Department of English, with the title Associate Professor Emeritus, effective July 1, 1975.

Lauren F. Brush, Academic Faculty of Accounting, with the title Associate Professor Emeritus, effective July 1, 1975.

Walter C. Burnham, Academic Faculty of Accounting, with the title Associate Professor Emeritus, effective July 1, 1975.

James P. Chapman, Cooperative Extension Service, with the title Associate Professor Emeritus, effective July 1, 1975.

Phyllis A. Krumm, Division of Art, with the title Associate Professor Emeritus, effective July 1, 1975.

C. Gibson Scheaffer, School of Journalism, with the title Assistant Professor Emeritus, effective July 1, 1975.

D. Chairmen of Departments, Academic Faculties and Divisions, and Director of School

Appointment of the following persons to terms as Chairmen of Departments, Academic Faculties, and Divisions, and Director of School, effective as indicated:

July 1, 1975 through June 30, 1979

Agricultural Economics and Rural  
Sociology  
Architecture

David H. Boyne  
Paul E. Young, Jr.

June 6, 1975 meeting, Board of Trustees

II. PERSONNEL ACTIONS (continued)

C. Chairmen of Departments, Academic Faculties  
and Divisions, and Director of School (continued)

July 1, 1975 through June 30, 1979 (continued)

City and Regional Planning	Jerrold R. Voss <sup>(1)</sup>
Civil Engineering	Russel Jones
Educational Administration	Raphael Nystrand
Labor and Human Resources	Herbert S. Parnes
Landscape Architecture	Jot D. Carpenter <sup>(2)</sup>
Otolaryngology	William H. Saunders
Pathology	Donald W. Senhauser
Physical Medicine	Ernest W. Johnson
Plant Pathology	Ira W. Deep
Theatre	John A. Walker
Vocational-Technical Education	Aaron J. Miller

July 1, 1975 through June 30, 1976

Administrative and Social Sciences (Pharmacy)	T. Donald Rucker
Clinical Pharmacy and Professional Practice (Pharmacy)	Clifton J. Latiolais
History of Art	Franklin M. Ludden
Medicinal Chemistry (Pharmacy)	Donald T. Witiak
Pharmaceutics and Pharmaceutical Chemistry (Pharmacy)	Louis Malspeis
Pharmacognosy and Natural Products (Pharmacy)	Jack L. Beal
Pharmacology (Pharmacy)	Harold H. Wolf

October 1, 1975 through September 30, 1979

Communication	James L. Golden
Comparative Literature and Languages	Thomas Woodson <sup>(3)</sup>

---

(1) Through June 30, 1978

(2) Through June 30, 1977

(3) Through September 30, 1976

June 6, 1975 meeting, Board of Trustees

II. PERSONNEL ACTIONS (continued)

D. Chairmen of Departments, Academic Faculties and Divisions, and Director of School (continued)

October 1, 1975 through September 30, 1979 (continued)

East Asian Languages and Literatures	Miles McElrath
Finance	David W. Cole <sup>(1)</sup>
Hebrew Language and Literature	Yehiel Hayon <sup>(1)</sup>
Linguistics	Michael Geis
Management Science	Robert J. Miljus <sup>(1)</sup>
Public Administration, School of	Clinton V. Oster <sup>(2)</sup>
Sociology	Russell R. Dynes

(1) Through September 30, 1976

(2) Through June 30, 1976

Acting Chairpersons - July 1, 1975 through June 30, 1976

Art	Robert J. Stull
Family Relations and Human Development	Claribel M. Taylor
Home Economics Education	Lena Bailey
Home Management and Housing	Velma V. Everhart
Human Nutrition and Food Management	Rachel M. Hubbard
Medical Microbiology	Frank A. Kapral
Textiles and Clothing	Lois E. Dickey

President Enarson recommended that the Appointments; Leaves of Absence Without Salary; Emeritus Titles; Appointments of Chairmen of Departments, Academic Faculties, and Divisions; Director of School; Acting Chairpersons; and the personnel budget actions as recorded in the "Salary Roll" of the University be approved.

Upon motion of Mr. Devenow, seconded by Mrs. James, the Board of Trustees approved the foregoing recommendation by unanimous roll call vote, and the Secretary was instructed to file these changes in the "Salary Roll," an official document of the University.

\*

\*

\*

June 6, 1975 meeting, Board of Trustees

III. REPORT OF RESEARCH CONTRACTS, GRANTS, GIFTS, AND AGREEMENTS

President Enarson recommended that the following contracts and grants negotiated and monies received for the month of April 1975 be accepted.

Summary for April 1975

	No. of Projects	Support Level
Office of Business and Administration	27	\$5,261,944.62
The Ohio State University Research Foundation	51	1,765,168.50
The Engineering Experiment Station	5	<u>93,189.00</u>
		\$7,120,302.12
The Ohio State University Develop- ment Fund	1,050 Donors	\$ 537,151.52

A detailed listing of the items in each section is shown on the following pages.

Upon motion of Mr. Safford, seconded by Mr. Harrod, the research agreements between The Ohio State University and The Ohio State University Research Foundation for the contracts and grants reported herein, and the acceptance of the report from the Office of Business and Administration and The Ohio State University Development Fund, including the establishment of named funds, were approved by unanimous voice vote.

June 6, 1975 meeting, Board of Trustees

III. REPORT OF RESEARCH CONTRACTS, GRANTS, GIFTS, AND AGREEMENTS  
(continued)

A. Office of Business and Administration

1. Federal Contracts/Grants

- a. \$2,473,787.00 from Department of Health, Education, and Welfare, Office of Education, Bureau of Postsecondary Education, Washington, D. C., for the National Direct Student Loan Program, for period July 1, 1975 through June 30, 1976. (Payment Identification No. 766505)
- b. \$1,289,103.00 from Department of Health, Education, and Welfare, Office of Education, Bureau of Postsecondary Education, Washington, D. C., for the College Work-Study Program, for period July 1, 1975 through June 30, 1976. (Payment Identification No. 766505)
- c. \$489,372.00 from Department of Health, Education, and Welfare, Office of Education, Bureau of Postsecondary Education, Washington, D. C., for the Supplemental Educational Opportunity Grants Program, for period July 1, 1975 through June 30, 1976. (Payment Identification No. 766505)
- d. \$157,011.00 from Department of Health, Education, and Welfare, Public Health Service, Bethesda, Maryland, for Cardiovascular Training Program - Training Grant, under the direction of Department of Medicine, for period July 1, 1975 through June 30, 1976. (Grant No. 5 T01 HL05968-03)
- e. \$123,380.00 from Department of Health, Education, and Welfare, Office of Education, Washington, D. C., for A Field Trial of the Management Information System for Vocational Education (MISVE), under the direction of Center for Vocational and Technical Education, for period May 1, 1975 through January 31, 1976. (Contract No. 300-75-0184)
- f. \$83,701.00 from Department of Health, Education, and Welfare, Public Health Service, National Heart and Lung Institute, Bethesda, Maryland, for Renal Disease - Training Grant, under the direction of Department of Medicine, for period July 1, 1975 through June 30, 1976. (Grant No. 5 T01 HL05975-03)
- g. \$58,041.00 from Department of Health, Education, and Welfare, Public Health Service, Bethesda, Maryland, for Biomedical Sciences Support Grant, under the direction of Graduate School, for period June 1, 1975 through May 31, 1976. (Grant No. 5 S05 RR07074-10)

III. REPORT OF RESEARCH CONTRACTS, GRANTS, GIFTS, AND AGREEMENTS  
(continued)

A. Office of Business and Administration (continued)

1. Federal Contracts/Grants (continued)

- h. \$54,415.62 from Bureau of Indian Affairs, Sacramento, California, for Designing and Installing a Curriculum Delivery Strategy to Fit the Needs of Native American Students at Madera Employment Training Center, under the direction of Center for Vocational and Technical Education, for period April 24, 1975 through July 14, 1975. (Contract No. J50C14202989)
- i. \$49,697.00 from Department of Health, Education, and Welfare, Public Health Service, Health Resources Administration, Bureau of Health Resources Development, Washington, D. C., for Health Professions Student Loan Program, under the direction of College of Medicine, for period July 1, 1974 through June 30, 1975. (I. D. No. 05L390071-75 BHL10; Former No. 1 7 45 0430 15 1)
- j. \$48,606.00 from Department of Health, Education, and Welfare, Public Health Service, Health Resources Administration, Bureau of Health Resources Development, Washington, D. C., for Health Professions Student Loan Program, under the direction of College of Dentistry, for period July 1, 1974 through June 30, 1975. (I. D. No. 05L390075-75 BHL30; Former No. 2 7 45 0430 15 1)
- k. \$43,606.00 from Department of Health, Education, and Welfare, Public Health Service, Bethesda, Maryland, for Pulmonary Academic Award, under the direction of Department of Medicine, for period June 1, 1975 through May 31, 1976. (Grant No. 1 K07 HL00128-01)
- l. \$34,629.00 from Department of Health, Education, and Welfare, Public Health Service, Health Resources Administration, Bureau of Health Resources Development, Washington, D. C., for Health Professions Student Loan Program, under the direction of College of Veterinary Medicine, for period July 1, 1974 through June 30, 1975. (I. D. No. 05L390083-75 BHL70; Former No. 7 7 45 0430 15 1)
- m. \$25,000.00 from Department of Health, Education, and Welfare, Public Health Service, Bethesda, Maryland, for Gene Expression and Enzyme Synthesis in Neurospora - Development Award - Research Career Program, under the direction of Department of Biochemistry, for period July 1, 1975 through June 30, 1976. (Grant No. 1 K04 GM00052-01)
- n. \$25,000.00 from Department of Health, Education, and Welfare, Public Health Service, Bethesda, Maryland, for Pathology of Myocardial Hypertrophy and Failure - Development Award - Research Career Program, under the direction of Department of Pathology, for period July 1, 1975 through June 30, 1976. (Grant No. 5 K04 HL70248-04)

III. REPORT OF RESEARCH CONTRACTS, GRANTS, GIFTS, AND AGREEMENTS  
(continued)

A. Office of Business and Administration (continued)

1. Federal Contracts/Grants (continued)

- o. \$25,000.00 from Department of Health, Education, and Welfare, Public Health Service, Bethesda, Maryland, for Conformational Study of Polypeptides and Nucleic Acid, Development Award - Research Career Program, under the direction of Department of Biochemistry, for period June 1, 1975 through May 31, 1976. (Grant No. K04 GM70742-02)
- p. \$22,968.00 from Department of Health, Education, and Welfare, Public Health Service, Bethesda, Maryland, for Protein Structure - Functions, Pheromones in Lower Plants - Development Award - Research Career Program, under the direction of Department of Chemistry, for period June 1, 1975 through May 31, 1976. (Grant No. 5 K04 GM70711-02)
- q. \$20,568.00 from Department of Health, Education, and Welfare, Public Health Service, National Institutes of General Medical Sciences, Bethesda, Maryland, for Enzyme Immobilization for Detection of Conformation Changes - Development Award - Research Career Program, under the direction of Department of Biochemistry, for period July 1, 1975 through June 30, 1976. (Grant No. 5 K04 GM00051-01)
- r. \$4,100.00 from National Science Foundation, Washington, D. C., for assistance in the improvement of the quality of undergraduate science instruction through the acquisition of instructional scientific equipment, under the direction of Department of Civil Engineering, for period June 1, 1975 through May 31, 1977. (Proposal/Grant No. HES75-11417)
- s. \$3,000.00 additional grant from National Science Foundation, Washington, D. C., for support of a National Science Foundation Graduate Fellow during the 1974-75 fellowship year, under the direction of Graduate School. (Grant No. HES74-22421 A01/ Proposal No. HES75-18664; Former No. GZ-3571)

TOTAL - Federal Contracts/Grants \$5,030,984.62

2. State of Ohio Contracts/Grants

- a. \$44,000.00 from Ohio Board of Regents, Columbus, Ohio, for Columbus Problem Solving Project, under the direction of College of Administrative Science, Division of Continuing Education, for period March 20, 1975 through March 20, 1976. (Project No. 75-944-009)



III. REPORT OF RESEARCH CONTRACTS, GRANTS, GIFTS, AND AGREEMENTS  
(continued)

A. Office of Business and Administration (continued)

2. State of Ohio Contracts/Grants (continued)

- b. \$12,000.00 from Ohio Board of Regents, Columbus, Ohio, for A Symposium on Innovations in Isolated Urban Health Care Delivery, under the direction of College of Medicine, Center for Continuing Medical Education, for period March 20, 1975 through March 20, 1976. (Project No. 75-944-010)
- c. \$4,500.00 from State of Ohio, Department of Education, Columbus, Ohio, for a special workshop to upgrade Trade and Industrial Education teachers in the development of self concepts, under the direction of Academic Faculty of Vocational-Technical Education, for period June 16, 1975 through June 27, 1975.
- d. \$1,090.00 from State of Ohio, Ohio Real Estate Commission, Columbus, Ohio, for printing of 50 additional copies each of four real estate instructor's manuals entitled: Real Estate Principles and Practices I, Real Estate Law, Real Estate Finance, and Real Estate Appraisal, under the direction of Academic Faculty of Finance.

TOTAL - State of Ohio Contracts/Grants \$61,590.00

3. Industrial and Other Contracts/Grants

- a. \$61,650.00 from Columbus-Franklin County Consortium for Manpower Services, administered by the Columbus Department of Community Services (Columbus Metropolitan Area Community Action Organization), Columbus, Ohio, for support of New Careers Program, under the direction of School of Social Work, for period January 6, 1975 through December 20, 1975.
- b. \$45,819.00 from Columbus-Franklin County Consortium for Manpower Services, administered by the Columbus Department of Community Services (Columbus Metropolitan Area Community Action Organization), Columbus, Ohio, for support of New Careers Program, under the direction of College of Administrative Science, for period January 6, 1975 through December 20, 1975.
- c. \$33,240.00 from Multi Resource Centers, Inc., Minneapolis, Minnesota, for development of continuing education training programs, under the direction of Nisonger Center, for period April 1, 1975 through August 31, 1975.
- d. \$28,661.00 from School District of Philadelphia, Philadelphia, Pennsylvania, for providing a continuing organizational structure to facilitate further development of career education through programs of development, evaluation, training, dissemination, and demonstration in the member school districts in the Alliance for Career Education, under the direction of Center for Vocational and Technical Education, for period January 2, 1975 through June 30, 1975. (Contract No. 2)

TOTAL - Industrial and Other Contracts/Grants \$169,370.00

June 6, 1975 meeting, Board of Trustees

III. REPORT OF RESEARCH CONTRACTS, GRANTS, GIFTS, AND AGREEMENTS  
(continued)

B. The Ohio State University Research Foundation

1. Federal Research Contracts/Grants

- a. \$187,833.00 from Department of Health, Education, and Welfare, Public Health Service, National Institutes of Health, National Cancer Institute, Bethesda, Maryland, for Chemical Carcinogenesis and Immunity, under the direction of Department of Microbiology, for period March 25, 1975 through March 24, 1976. (Project 4134-A1 - New)
- b. \$95,783.00 from Department of Health, Education, and Welfare, Public Health Service, National Institutes of Health, National Cancer Institute, Bethesda, Maryland, for Transfer Factor Therapy of Sarcoma, under the direction of College of Medicine, for the period April 1, 1974 through March 31, 1976. (Project 3888-A1 - Mod. #1)
- c. \$95,390.00 additional funds from Department of Health, Education, and Welfare, Public Health Service, National Institutes of Health, National Cancer Institute, Bethesda, Maryland, for Therapy of Patients with Bronchogenic Carcinoma, under the direction of Department of Surgery. (Project 3648-A1 - Mod. #5)
- d. \$84,300.00 from National Science Foundation, Washington, D. C., for Synthetic Transition Metal Homogeneous Catalysis Systems Modelled After Natural Products, under the direction of Department of Chemistry, for period July 1, 1975 through June 30, 1976. (Project 4159-A1 - New)
- e. \$72,159.00 from Department of Health, Education, and Welfare, Public Health Service, National Institutes of Health, National Cancer Institute, Bethesda, Maryland, for Transfer Factor Immunotherapy of Cancer, under the direction of College of Medicine, for period March 1, 1975 through February 29, 1976. (Project 3674-A3 - Ext. #2)
- f. \$68,000.00 from Department of Transportation, Federal Highway Administration, Washington, D. C., for Field Test and Evaluation Center for Eastern States - Reference Skid Measurement System - Design and Drawings, under the direction of Engineering Experiment Station, for the period June 21, 1974 through October 31, 1975. (Project 3535-C1 - Mod. #10)
- g. \$62,488.00 from Department of Health, Education, and Welfare, Public Health Service, National Institutes of Health, National Institute of Allergy and Infectious Diseases, Bethesda, Maryland, for Polycondensed Alicyclics and Their Antiviral Role, under the direction of Department of Chemistry, for period May 1, 1975 through April 30, 1976. (Project 3920-A2 - Ext. #1)

III. REPORT OF RESEARCH CONTRACTS, GRANTS, GIFTS, AND AGREEMENTS

(continued)

B. The Ohio State University Research Foundation (continued)

1. Federal Research Contracts/Grants (continued)

- h. \$58,200.00 from Department of Health, Education, and Welfare, Public Health Service, National Institutes of Health, National Cancer Institute, Bethesda, Maryland, for Immune RNA: Tumor Therapy and Prophylaxis in Mice, under the direction of Department of Microbiology, for period June 1, 1975 through May 31, 1976. (Project 4166 - New)
- i. \$57,447.00 from Department of Health, Education, and Welfare, Public Health Service, National Institutes of Health, National Cancer Institute, Bethesda, Maryland, for Central Oncology Group, under the direction of Department of Surgery, for period February 1, 1975 through January 31, 1976. (Project 3167-A5 - Ext. #4)
- j. \$57,294.00 from Department of Health, Education, and Welfare, Public Health Service, National Institutes of Health, National Heart and Lung Institute, Bethesda, Maryland, for Structure and Function of Heart Mitochondria, under the direction of Department of Surgery, for period May 1, 1975 through April 30, 1976. (Project 4164-A1 - New)
- k. \$54,500.00 from National Science Foundation, Washington, D. C., for Liquid Helium at Low Temperatures, under the direction of Department of Physics, for period December 1, 1971 through October 31, 1975. (Project 3370-A1 - NSF Letter Dated April 10, 1975).
- l. \$49,729.00 from Department of Health, Education, and Welfare, Public Health Service, National Institutes of Health, National Cancer Institute, Bethesda, Maryland, for Synthesis and Chemistry of Diazo Compounds, under the direction of Department of Chemistry, for period June 1, 1975 through May 31, 1976. (Project 2793-F - Ext. #6)
- m. \$48,217.00 from Department of Health, Education, and Welfare, Public Health Service, National Institutes of Health, National Cancer Institute, Bethesda, Maryland, for Transfer Factor Therapy of Sarcoma, under the direction of College of Medicine, for period April 1, 1974 through March 31, 1976. (Project 3888-B1 - Mod. #1)
- n. \$48,163.00 from Department of Health, Education, and Welfare, Public Health Service, National Institutes of Health, National Institute of Arthritis, Metabolic, and Digestive Diseases, Bethesda, Maryland, for Enzyme Catalysis of Electron and Group Transfer, under the direction of Department of Chemistry, for period May 1, 1975 through April 30, 1976. (Project 2811-F - Ext. #6)

June 6, 1975 meeting, Board of Trustees

III. REPORT OF RESEARCH CONTRACTS, GRANTS, GIFTS, AND AGREEMENTS  
(continued)

B. The Ohio State University Research Foundation (continued)

1. Federal Research Contracts/Grants (continued)

- o. \$45,838.00 from Department of Health, Education, and Welfare, Public Health Service, National Institutes of Health, National Cancer Institute, Bethesda, Maryland, for Design and Evaluation of Antitumor Nucleoside Analogs, under the direction of Department of Chemistry, for period June 1, 1975 through May 31, 1976. (Project 3980-A2 - Ext. #1)
- p. \$41,936.00 from Department of Health, Education, and Welfare, Public Health Service, National Institutes of Health, National Cancer Institute, Bethesda, Maryland, for Anabolic Control in Normal and Neoplastic Tissues, under the direction of Department of Biochemistry, for period June 1, 1975 through May 31, 1976. (Project 1571-K - Ext. #10)
- q. \$40,834.00 from Environmental Protection Agency, Cincinnati, Ohio, for Predictive and Pollution Abatement Model of Mine Drainage, under the direction of Department of Civil Engineering, for period June 28, 1974 through June 12, 1976. (Project 3949-A1 - Amend. #1)
- r. \$39,000.00 from National Science Foundation, Washington, D. C., for A Study of Relaxation, Diffusion, and Polarization in Hydrogen and Helium, under the direction of Department of Physics, for period July 1, 1975 through June 30, 1976. (Project 4154-A1 - New)
- s. \$36,482.00 from Department of Health, Education, and Welfare, Public Health Service, National Institutes of Health, Division of Research Resources, Bethesda, Maryland, for General Research Support Grant, under the direction of College of Veterinary Medicine, for period January 1, 1975 through December 31, 1975. (Project 2776-A6 - Ext. #6)
- t. \$34,137.00 from U. S. Department of the Air Force, Air Force Office of Scientific Research, Arlington, Virginia, for Theoretical Research on the Translation of Phrase-Structure Languages, under the direction of Department of Computer and Information Science, for period May 1, 1975 through April 30, 1976. (Project 4151-A1 - New)
- u. \$33,511.00 from Environmental Protection Agency, Cincinnati, Ohio, for Predictive and Pollution Abatement Model of Mine Drainage, under the direction of Department of Industrial and Systems Engineering, for period June 28, 1974 through June 12, 1976. (Project 3949-B1 - Amend. #1)

III. REPORT OF RESEARCH CONTRACTS, GRANTS, GIFTS, AND AGREEMENTS  
(continued)

B. The Ohio State University Research Foundation (continued)

1. Federal Research Contracts/Grants (continued)

- v. \$32,446.00 from Department of Health, Education, and Welfare, Public Health Service, National Institutes of Health, National Institute of Dental Research, Bethesda, Maryland, for Studies on the Dextran Sucrase of Streptococcus Sanguis, under the direction of Department of Chemistry, for period May 1, 1975 through April 30, 1976. (Project 3915-A2 - Ext. #1)
- w. \$29,000.00 from National Aeronautics and Space Administration, Goddard Space Flight Center, Greenbelt, Maryland, for The Direct Combination of Satellite and Gravity Data, under the direction of Department of Geodetic Science, for period May 1, 1971 through August 31, 1975. (Project 3210-A1 - Sup. #5)
- x. \$23,742.00 from National Endowment for the Humanities, Washington, D. C., for the Medical Profession and Historical Change and Challenge, under the direction of Department of History, for period March 1, 1975 through August 30, 1975. (Project 4144-A1 - New)
- y. \$26,100.00 from National Science Foundation, Washington, D. C., for Taxonomy and Biostratigraphic Significance of Middle and Late Ordovician Conodonts in the Western Midcontinent, United States, under the direction of Department of Geology and Mineralogy, for period August 1, 1975 through June 30, 1977. (Project 4163-A1 - New)
- z. \$25,800.00 from National Science Foundation, Washington, D. C., for Cognitive Configurations of a City, under the direction of Department of Geography, for period July 1, 1973 through December 31, 1976. (Project 3659-A1 - NSF Letter Dated April 1, 1975)
- aa. \$23,300.00 from National Science Foundation, Washington, D. C., for The Approximation Problem in Banach Spaces, under the direction of Department of Mathematics, for period July 1, 1972 through June 30, 1976. (Project 3455-A1 - NSF Letter Dated March 10, 1975)
- bb. \$22,400.00 from National Science Foundation, Washington, D. C., for B-Convex and Weakly Compactly Generated Banach Spaces, under the direction of Department of Mathematics, for period July 1, 1974 through June 30, 1976. (Project 3923-A1 - NSF Letter Dated April 4, 1975)

June 6, 1975 meeting, Board of Trustees

III. REPORT OF RESEARCH CONTRACTS, GRANTS, GIFTS, AND AGREEMENTS  
(continued)

B. The Ohio State University Research Foundation (continued)

1. Federal Research Contracts/Grants (continued)

- cc. \$22,510.00 from National Science Foundation, Washington, D. C., for Electronic Hand Calculators: The Implications for Pre-College Education, under the direction of College of Education, for period March 1, 1975 through August 31, 1975. (Project 4162-A1 - New)
- dd. \$17,000.00 from National Science Foundation, Washington, D. C., for Research Initiation - X-Ray Radial Distribution Studies of Silicate and Germanate Glasses, under the direction of Department of Ceramic Engineering, for period April 1, 1975 through September 30, 1976. (Project 4156-A1 - New)
- ee. \$14,803.00 additional funds from U. S. Department of the Air Force, Air Force Office of Scientific Research, Arlington, Virginia, for Fluid Dynamic Interactions in Multiple Nozzle Arrays, under the direction of Department of Aeronautical and Astronautical Engineering. (Project 3670-A1 - Mod. #C)
- ff. \$14,600.00 from National Science Foundation, Washington, D. C., for Workshop to Determine Fundamental Energy-Related Research Due to Acid Precipitation, under the direction of College of Engineering, Atmospheric Sciences Program, for period April 1, 1975 through December 31, 1975. (Project 4161-A1 - New)
- gg. \$11,700.00 from National Science Foundation, Washington, D. C., for Combinatorial Problems of Applied Discrete Mathematics, under the direction of Department of Mathematics, for period July 1, 1975 through June 30, 1976. (Project 4158-A1 - New)
- hh. \$11,000.00 from National Science Foundation, Washington, D. C., for Strontium Isotope Stratigraphy of Deep Sea Sediment from the Red Sea, under the direction of Department of Geology and Mineralogy, for period June 1, 1973 through June 30, 1976. (Project 3675-A1 - NSF Letter Dated April 4, 1975)
- ii. \$9,150.00 from Environmental Protection Agency, Washington, D. C., for EPA Contract Project Officers Training Course, under the direction of College of Administrative Science, Division of Continuing Education, for period July 1, 1974 through June 30, 1975. (Project 3978-A1 - Mod. #1)
- jj. \$8,625.00 from Environmental Protection Agency, Cincinnati, Ohio, for Predictive and Pollution Abatement Model of Mine Drainage, under the direction of Department of Chemical Engineering, for period June 28, 1974 through June 12, 1976. (Project 3949-C1 - Amend. #1)

June 6, 1975 meeting, Board of Trustees

III. REPORT OF RESEARCH CONTRACTS, GRANTS, GIFTS, AND AGREEMENTS

(continued)

B. The Ohio State University Research Foundation (continued)

1. Federal Research Contracts/Grants (continued)

- kk. \$4,630.00 from Department of the Interior, U. S. Fish and Wildlife Service, Washington, D. C., for Heron Population and Reproduction Studies at Cape Romain, South Carolina, under the direction of Department of Zoology, for period April 1, 1975 through March 31, 1976. (Project 4150-A1 - New)
- ll. \$4,200.00 from National Science Foundation, Washington, D. C., for First International Symposium on Acid Precipitation and the Forest Ecosystem to be held in Columbus, Ohio, under the direction of the College of Engineering, Atmospheric Sciences Program, for period April 1, 1975 through September 30, 1975. (Project 4157-A1 - New)
- mm. \$3,700.00 additional funds from U. S. Civil Service Commission, Washington, D. C., for Basic Procurement, under the direction of College of Administrative Science, Division of Continuing Education. (Project 4033-H1 - Mod. #1)
- nn. \$1,850.00 additional funds from U. S. Civil Service Commission, Washington, D. C., for Developing Contract Work Specifications, under the direction of College of Administrative Science, Division of Continuing Education. (Project 4033-D1 - Mod. #2)
- oo. \$1,850.00 additional funds from U. S. Civil Service Commission, Washington, D. C., for Evaluating a Contractor's Performance, under the direction of College of Administrative Science, Division of Continuing Education. (Project 4033-F1 - Mod. #1)
- pp. \$1,700.00 from U. S. Civil Service Commission, Denver Regional Training Center, Denver, Colorado, for Basic Procurement - Denver, under the direction of College of Administrative Science, Division of Continuing Education, for the period March 31, 1975 through April 4, 1975. (Project 4147-A1 - New)
- qq. \$1,012.50 from U. S. Civil Service Commission, Washington, D. C., for Intergovernmental Training Program - Various Courses, under the direction of College of Administrative Science, Division of Continuing Education, for period February 3, 1975 through May 2, 1975. (Project 4033-J1 - Sponsor Letter Dated April 16, 1975)
- rr. \$700.00 from National Science Foundation, Washington, D. C., for Some Acoustic Correlates of Syllabicity in English, under the direction of Department of Linguistics, for period April 1, 1975 through March 31, 1976. (Project 4153-A1 - New)

TOTAL - Federal Research Contracts/Grants \$1,628,059.50

III. REPORT OF RESEARCH CONTRACTS, GRANTS, GIFTS, AND AGREEMENTS  
(continued)

B. The Ohio State University Research Foundation (continued)

2. State of Ohio Research Contracts/Grants

- a. \$37,107.00 from The Ohio Youth Commission, Columbus, Ohio, for Study of Juvenile Detention Facilities, Programs, and Standards in Ohio, under the direction of School of Public Administration, for period March 1, 1975 through June 30, 1975. (Project 4143-A1 - New)
- b. \$9,654.00 from Ohio Development Center, Columbus, Ohio, for Ohio Quality of Work Data Bank Project, under the direction of Academic Faculty of Management Science, for period January 1, 1975 through June 30, 1975. (Project 4167-A1 - New)

TOTAL - State of Ohio Research Contracts/Grants \$46,761.00

3. Industrial, Subcontracts/Grants and Other  
Non-Federal Research Contracts/Grants

- a. \$35,053.50 from State of Ohio, Department of Health, Columbus, Ohio, for Family Planning Clinic, under the direction of Department of Obstetrics and Gynecology, for period January 1, 1975 through June 30, 1975. (Project 3510-A4 - Ext. #3)
- b. \$26,500.00 from Steel Founders' Society of America, Rocky River, Ohio, for Ferrite Control in Corrosion Resistant Steel Castings, under the direction of Department of Metallurgical Engineering, for period April 1, 1975 through March 31, 1976. (Project 350-F - New)
- c. \$13,684.50 from State of Ohio, Department of Health, Columbus, Ohio, for Family Planning - Infertility Clinic, under the direction of Department of Obstetrics and Gynecology, for period January 1, 1975 through June 30, 1975. (Project 3509-A4 - Ext. #3)
- d. \$11,110.00 from American Otological Society, St. Louis, Missouri, for Cytochemistry and Mineralization of Otosclerotic Stapes, under the direction of Department of Otolaryngology, for period July 1, 1975 through June 30, 1976. (Project 2789-E - Letter Dated March 12, 1975)
- e. \$4,000.00 from University of Dayton, Research Institute, Dayton, Ohio, for Study of Biconvex Airfoil Characteristics, under the direction of Department of Aeronautical and Astronautical Engineering, for period April 1, 1975 through May 31, 1975. (Project 4160-A1 - New)

TOTAL - Industrial, Subcontracts/Grants and Other  
Non-Federal Research Contracts/Grants \$90,348.00



III. REPORT OF RESEARCH CONTRACTS, GRANTS, GIFTS, AND AGREEMENTS  
(continued)

C. The Engineering Experiment Station

1. State of Ohio Research Contracts

- a. \$60,000.00 from Public Utilities Commission of Ohio, Columbus, Ohio, for A Study to Analyze Selected Public Policy Issues Dealing with the Regulation of Electric Power and Natural Gas Utilities, under the direction of Department of Mechanical Engineering, for period April 22, 1975 through April 21, 1976. (EES 508)
- b. \$14,000.00 from Ohio Department of Transportation, Columbus, Ohio, for the final period of Development Guidelines for the Application of Continuous Two-Way Left-Turn Median Lanes, under the direction of Department of Civil Engineering, for period March 19, 1975 through November 15, 1975. (EES 470, Ext. #3)
- c. \$3,647.00 from Ohio Development Center, Columbus, Ohio, for Residential Fuel Savings with Solar Heating, under the direction of Department of Mechanical Engineering, for period March 31, 1975 through May 17, 1975. (EES 507)

TOTAL - State of Ohio Research Contracts \$77,647.00

2. Industrial and Other Research Contracts

- a. \$10,000.00 from Columbus and Southern Ohio Electric Company and PPG Industries, Columbus, Ohio, for Participating Industries Research and Development Program in Solar Energy Conversion and Utilization, under the direction of Department of Mechanical Engineering, for period January 1, 1975 through February 4, 1976. (EES 510X)
- b. \$5,542.00 from Battelle Memorial Institute, Columbus, Ohio, for Plastic Collapse and Buckling of Offshore Pipelines, under the direction of Department of Engineering Mechanics, for period April 1, 1975 through June 30, 1975. (EES 509)

TOTAL - Industrial and Other Research Contracts \$15,542.00

C. The Ohio State University Development Fund

1. Gifts of \$5,000 or More

- a. \$150,000.00 from Lilly Endowment, Inc., Indianapolis, Indiana, for the Academy for Contemporary Problems.
- b. \$63,668.84 from The Associates of Medicine, Columbus, Ohio--\$62,463.42 for support of the Department of Medicine General Fund and \$1,205.42 for Cardiology support.

III. REPORT OF RESEARCH CONTRACTS, GRANTS, GIFTS, AND AGREEMENTS  
(continued)

D. The Ohio State University Development Fund (continued)

1. Gifts of \$5,000 or More (continued)

- c. \$58,886.47 from the Estate of Charles C. Palmer, Wilmington, Delaware, for a named endowed fellowship fund in Veterinary Medicine.
- d. \$15,000.00 from Alcoa Foundation, New Kensington, Pennsylvania-- \$10,000.00 for the College of Engineering's Affirmative Action Program and \$5,000.00 for a new project in the Department of Civil Engineering on the evaluation of techniques for the fire safety performance of building construction systems.
- e. \$14,031.66 from The Ohio Electric Utility Institute, Columbus, Ohio, for their named fellowship fund in Electrical Engineering.
- f. \$10,000.00 from Mrs. Alice N. Kraus, Delaware, Ohio, for the Radio Telescope Research Fund.
- g. \$10,000.00 from The Ohio National Bank Fund of The Columbus Foundation, Columbus, Ohio, for the Academy for Contemporary Problems Fund.
- h. \$9,000.00 from Elano Corporation, Xenia, Ohio (given in the name of Zoe Dell Nutter), for a purpose to be designated at a later date.
- i. \$9,000.00 from Junior League Fund of The Columbus Foundation, Columbus, Ohio, for the Outside Learning Center Fund.
- j. \$6,250.00 from The Huntington National Bank of Columbus, Columbus, Ohio, for the University Activities Center.
- k. \$6,000.00 from Roy and Sara Brenholts Fund of The Columbus Foundation, Columbus, Ohio, for arthritis research.
- l. \$5,827.50 from Mr. and Mrs. Ralph W. Kurtz, Tampa, Florida-- \$2,913.75 for the Ralph W. Kurtz Chair in Endocrinology and \$2,913.75 for the Helen C. Kurtz Chair in Radiology.
- m. \$5,500.00 from Ciba-Geigy Corporation, Summit, New Jersey-- \$4,500.00 for neuromuscular disease research and \$1,000.00 for the Department of Agronomy.
- n. \$5,050.00 from Trust Under the Will of Anna Roessler, Columbus, Ohio, for continuing support of research scholarships for students enrolled in the College of Medicine.

III. REPORT OF RESEARCH CONTRACTS, GRANTS, GIFTS, AND AGREEMENTS  
(continued)

D. The Ohio State University Development Fund (continued)

1. Gifts of \$5,000 or More (continued)

- o. \$5,000.00 from Sayre Charitable Fund of The Columbus Foundation, Columbus, Ohio, for the Academy for Contemporary Problems Fund.

2. Gift-in-Kind

- a. One Bruning 600 White Printer and three associated tables from Western Electric Company, Columbus, Ohio, for use in the School of Architecture.

3. Establishment of Named Funds

- a. \$18,415.79 from the Estate of Archie L. Geisinger for the establishment of the Archie L. Geisinger Fund in Mechanical Engineering.

Archie L. Geisinger Fund in Mechanical Engineering

The Archie L. Geisinger Fund in Mechanical Engineering was established June 6, 1975, by the Board of Trustees of The Ohio State University with a bequest from Archie L. Geisinger, B.M.E. '14, Pittsburgh, Pennsylvania, to The Ohio State University Development Fund.

All gifts are to be invested in the University's Permanent Endowment Fund, under the rules and regulations adopted by the Board of Trustees of The Ohio State University, with the right to invest and reinvest as occasion dictates.

The annual income is for the unrestricted use of and by the College of Engineering's Department of Mechanical Engineering. Recommendations for the use of the funds will be made by the Chairman of the Department of Mechanical Engineering and approved by the Dean of the College of Engineering.

Should the need for these funds cease to exist or so diminish as to provide unused income, then the income may be used for any purpose whatsoever as determined by the Board of Trustees, with preference being given to recommendations from the appropriate administrative official of the University who is then directly responsible for mechanical engineering education.

III. REPORT OF RESEARCH CONTRACTS, GRANTS, GIFTS, AND AGREEMENTS  
(continued)

D. The Ohio State University Development Fund (continued)

3. Establishment of Named Funds (continued)

- b. \$5,005.00 from family and friends of William Henry Duffy for the establishment of the William Henry Duffy Memorial Fund.

William Henry Duffy Memorial Fund

The William Henry Duffy Memorial Fund was established June 6, 1975, by the Board of Trustees of The Ohio State University with a gift to The Ohio State University Development Fund from family and friends.

All gifts are to be invested in the University's Permanent Endowment Fund, under the rules and regulations adopted by the Board of Trustees of The Ohio State University, with the right to invest and reinvest as occasion dictates.

The annual income is to be used to provide a stipend for people who are actively engaged in heart research in the College of Medicine. The selection of the recipient is to be made upon the recommendation of the Dean of the College of Medicine.

Should the need for these stipends cease to exist or so diminish as to provide unused income, then the income may be used for any purpose whatsoever as determined by the Board of Trustees, with preference being given to recommendations from the appropriate administrative official of the University who is then directly responsible for heart research.

- c. \$2,000.00 from Lois Donahue and Brian P. Donahue for the establishment of The Lois and Brian P. Donahue Endowment Fund.

The Lois and Brian P. Donahue Endowment Fund

The Lois and Brian P. Donahue Endowment Fund was established June 6, 1975, by the Board of Trustees of The Ohio State University with gifts to The Ohio State University Development Fund from Lois Donahue, B.S. '59, and Brian P. Donahue, B.S. '59, Columbus, Ohio.

All gifts are to be invested in the University's Permanent Endowment under the rules and regulations adopted by the Board of Trustees of The Ohio State University, with the right to invest and reinvest as occasion dictates.

The annual income is to be used by the College of Medicine in support of research in the areas of cystic fibrosis and chronic

III. REPORT OF RESEARCH CONTRACTS, GRANTS, GIFTS, AND AGREEMENTS  
(continued)

D. The Ohio State University Development Fund (continued)

3. Establishment of Named Funds (continued)

c. The Lois and Brian P. Donahue Endowment Fund (continued)

pulmonary diseases. Requests for expenditure of funds will be initiated and approved by the Dean of the College of Medicine.

Should the need for this fund cease to exist or so diminish as to provide unused income, then the income may be used for any purpose whatsoever as determined by the Board of Trustees, with preference being given to recommendations from the appropriate administrative official of the University who is then directly responsible for medical education.

d. \$1,000.00 from John A. Burns, M. D., for the establishment of the Ophthalmic Plastic Surgery Fund.

Ophthalmic Plastic Surgery Fund

The Ophthalmic Plastic Surgery Fund was established June 6, 1975, by the Board of Trustees of The Ohio State University with gifts to The Ohio State University Development Fund from John A. Burns, M. D. '64, Columbus, Ohio.

The annual income is to be used to promote ophthalmic plastic surgery among the residents and medical students of the University. The income will also be used for: purchasing textbooks for the residents; visual aids for the Department of Ophthalmology; and making small research grants to deserving residents or medical students in the Department of Ophthalmology. Funds not used for the above on an annual basis will be transferred to the Ophthalmologic Center Fund. The income is to be used in accordance with suggestions of Dr. Burns subject to the approval of the Chairman of the Department of Ophthalmology and the Dean of the College of Medicine.

After Dr. Burns retires from active teaching at the University, the income may be used for purposes recommended by the Chairman of the Department of Ophthalmology and approved by the Dean of the College of Medicine.

Should the Department of Ophthalmology or the College of Medicine cease to exist through any reorganization of the University, then the income may be used by the Board of Trustees with preference being given to the recommendations of the appropriate administrative official of the University who is then directly responsible for medical education.

\*

\*

\*

June 6, 1975 meeting, Board of Trustees

#### IV. BUSINESS AND ADMINISTRATION

##### A. Plans and Specifications

At the request of the Vice President for Business and Administration, President Enarson recommended that the plans and specifications, bills of materials, and estimates of cost for the following projects be approved by the Board of Trustees:

##### 1. Dentistry Building--Replacement of Basement Fan

This project will provide for the removal of the existing supply air fan and associated heating coils and controls. The unit presently in the Dentistry Building utilizes 100 per cent outside air which requires excessive energy for winter operation. The modifications provided by this project will improve operations, reduce maintenance and energy requirements.

Funds are budgeted in Budget Account 126070 (Contract Repair 1975-1976).

##### 2. Derby Hall Remodeling

This project will provide Derby Hall with code-complying smoke tower stairwells throughout and will improve safe egress from the building by eliminating dead-end corridors from the basement level. In addition, the bookstore sales area will be expanded by means of developing the abandoned theater area for this purpose. Project scope includes upgrading of some wall, floor and ceiling finishes and modernizing lighting and mechanical systems.

Funds are budgeted in H. B. 985, Item 315-074 (Utilities and Renovation), and local funds.

Upon motion of Mr. Safford, seconded by Mr. Devenow, the above recommendations were approved by unanimous roll call vote, and the Secretary was authorized and directed to sign the plans and specifications for the above projects for and on behalf of the Board of Trustees. The Vice President for Business and Administration was directed to proceed with the request for bids in the normal University manner, and if satisfactory bids are received to proceed with the award of contracts. All action regarding this matter will be reported to the Board of Trustees at a later meeting.

##### B. Report of Award of Contracts

##### 1. Cancellation of Project

On March 7, 1975, the Board of Trustees approved the following project to be advertised for completion of construction:

June 6, 1975 meeting, Board of Trustees

IV. BUSINESS AND ADMINISTRATION (continued)

B. Report of Award of Contracts (continued)

1. Cancellation of Project (continued)

a. Tunnel Repairs, North Central Campus

Bids were received April 29, 1975, and Ed Ross Construction Company of Westerville, Ohio, was the low bidder.

Electrical Contract bids were over the estimates. On May 5, 1975, rebids were received on the Mechanical and Electrical Contract work and again were over the estimates of cost. Ed Ross Construction Company's bid of April 29, 1975, was \$81,000.00 compared to an estimate of \$120,000.00, and the Department of Administrative Services, Division of Public Works, allowed the withdrawal of this bid due to a documented error in the bid assembly.

Therefore, it was recommended that this project be cancelled, with plans for some tunnel repair projects to be accomplished in the next biennium.

Upon motion of Mr. Devenow, seconded by Mr. Harrod, the above cancellation was approved by unanimous roll call vote.

2. Award of Contracts

In accordance with authorization provided by the Board of Trustees, bids were taken on the projects listed below and the contracts were recommended for award. The action reported to the Board was as follows:

a. Lincoln Tower Alterations

	<u>Low Bid</u>	<u>Est. of Cost</u>
<u>General Contract</u> (4 bids received 5-2-75) Lincoln Construction, Inc. (Columbus)		
Base bid	\$ 598,000.00	\$ 775,000.00
Alt. G-1 Firesafing exhaust duct risers	+ 32,500.00	+ 27,000.00
Alt. G-2 Improved 3rd floor finishes	+ 19,500.00	+ 13,250.00
Alt. G-3 Security grilles, 3rd floor	+ 12,000.00	+ 10,000.00
Alt. G-4 Improved 2nd floor finishes	+ 27,000.00	+ 15,700.00

June 6, 1975 meeting, Board of Trustees

IV. BUSINESS AND ADMINISTRATION (continued)

B. Report of Award of Contracts (continued)

2. Award of Contracts (continued)

a. Lincoln Tower Alterations (continued)

	<u>Low Bid</u>	<u>Est. of Cost</u>
<u>General Contract</u> (continued)		
Brought Forward	\$ 689,000.00	\$ 840,950.00
Alt. G-5 5th floor staff lounge and conference suite	+ 20,000.00	+ 22,500.00
Alt. G-7 Card security system, University Computer Area	+ 2,000.00	+ 3,000.00
Alt. G-8 Remove selected built- in dormitory furniture (Floors 4 through 14)	+ 32,000.00	+ 35,750.00
Extra Order--Painting Floor 14	+ 4,554.00	
Total Contract	<u>\$ 747,554.00</u>	<u>\$ 902,200.00</u>
<u>Plumbing Contract</u> (3 bids received 5-2-75)		
Muetzel Plumbing and Heating Co. (Columbus)	<u>\$ 66,888.00*</u>	<u>\$ 65,000.00</u>
<u>Heating, Ventilating and Air Conditioning Contract</u> (2 bids received 5-2-75)		
Kirk Williams Co. (Grove City, Ohio)		
Base bid	\$ 246,000.00	\$ 170,000.00
Alt. HVAC-1 Fire dampers, 16 through 23	+ 21,000.00	+ 20,000.00
Alt. HVAC-2 HVAC for 5th floor staff lounge and conference room	+ 24,700.00	+ 13,250.00
Total Contract	<u>\$ 291,700.00*</u>	<u>\$ 203,250.00</u>

\*The Plumbing and Heating, Ventilating and Air Conditioning Contracts exceeded the estimates of cost, however, the total of all bids is under the total project funds available. It is recommended that Controlling Board approval be obtained for awards as indicated, since it is believed that no better bids would be received by re-advertising.



June 6, 1975 meeting, Board of Trustees

IV. BUSINESS AND ADMINISTRATION (continued)

B. Report of Award of Contracts (continued)

2. Award of Contracts (continued)

a. Lincoln Tower Alterations (continued)

	<u>Low Bid</u>	<u>Est. of Cost</u>
<u>Fire Protection Contract</u> (6 bids received 5-2-75)		
Capital Fire Protection (Columbus)		
Base bid	\$ 161,348.00	\$ 250,000.00
Alt. FP-1 Sprinkler system 15th floor	+ 7,342.00	+ 16,000.00
Alt. FP-2 Paint sprinkler piping (Floors 4 through 14)	+ 6,686.00	+ 4,500.00
Alt. FP-3 Alternate sprinkler system 5th floor lounge and conference room	- 478.00	N/C
Alt. FP-4 Delete sprinkler system for Computer Operations Area	- 1,555.00	- 3,000.00
Alt. FP-5 Cap and abandon existing sprinkler system/ forms storage room	+ 342.00	N/C
Total Contract	<u>\$ 173,685.00</u>	<u>\$ 267,500.00</u>

<u>Electrical Contract</u> (4 bids received 5-20-75, Rebid)		
Jess Howard Electric Co. (Blacklick, Ohio)		
Base bid	\$ 247,445.00	\$ 320,000.00
Alt. E-1 Add lighting fixtures Floors 4 through 14	+ 82,825.00	+ 100,000.00
Alt. E-2 Security alarm system Bursar's Area	+ 608.00	+ 1,300.00
Alt. E-3 Halon fire protection system in Computer Operations Area	+ 28,218.00	+ 35,000.00
Alt. E-4 Halon fire protection system in forms storage area	+ 13,255.00	+ 17,000.00
Alt. E-5 Electric work for card security system in University Systems Area	+ 277.00	+ 1,200.00

June 6, 1975 meeting, Board of Trustees

IV. BUSINESS AND ADMINISTRATION (continued)

B. Report of Award of Contracts (continued)

2. Award of Contracts (continued)

a. Lincoln Tower Alterations (continued)

	<u>Low Bid</u>	<u>Est. of Cost</u>
<u>Electrical Contract</u> (continued)		
<u>Brought Forward</u>	\$ 372,628.00	\$ 474,500.00
Alt. E-6 Electric work for 5th floor staff lounge and conference room	+ 2,323.00	+ 7,000.00
Alt. E-7 Electric work for 3rd floor security grilles	+ 646.00	+ 500.00
<u>Total Contract</u>	<u>\$ 375,597.00</u>	<u>\$ 482,000.00</u>
<u>Total All Contracts</u>	<u>\$1,655,424.00</u>	<u>\$1,538,994.00</u>

Funds for this project have been provided from H. B. 985, Item 315-074 (Utilities and Renovation).

b. Masonry Repairs--Exterior, 1975

	<u>Low Bid</u>	<u>Est. of Cost</u>
<u>General Contract</u> (2 bids received 4-29-75)		
Raymond E. Kelley, Inc. (Bowmansville, New York)	\$ 204,033.00*	\$ 282,000.00

\*This contract was reported at the May 2, 1975, Board of Trustees meeting to be awarded to the Coatings Application and Waterproofing Company of St. Louis, Missouri. Their bond did not comply with the legal requirements of the Department of Administrative Services, Division of Public Works; therefore, the contract was awarded to the second low bidder, the Raymond E. Kelley Company, of Bowmansville, New York.

Funds for this project have been provided from H. B. 985, Item 315-074 (Utilities and Renovation).

June 6, 1975 meeting, Board of Trustees

IV. BUSINESS AND ADMINISTRATION (continued)

B. Report of Award of Contracts (continued)

2. Award of Contracts (continued)

c. Electrical Expansion--West Campus

	<u>Low Bid</u>	<u>Est. of Cost</u>
<u>Electrical Contract</u> (3 bids received 4-16-75) Electric Power Equipment Co. (Columbus)		
Base bid	\$ 251,828.00	\$ 281,752.00
Alt. E-1 Conduits and man- holes from C & O Tracks to Kenny Road	+ 30,582.00	+ 33,376.00
*Alt. E-3 Underground duct extension	<u>+ 66,286.00</u>	<u>+ 130,000.00</u>
Total Contract	<u>\$ 348,696.00</u>	<u>\$ 445,128.00</u>

\*This award was reported at the May 2, 1975, Board of Trustees meeting with a total contract cost of \$282,410.00 to the Electric Power Equipment Company of Columbus, Ohio. As noted in the May minutes of the Board of Trustees, acceptance of some of the additional alternates were planned, if money was available in the Utilities and Renovation Funds. Therefore, acceptance of Alternate E-3 was granted, increasing the total contract cost of this project from \$251,828.00 to \$348,696.00.

Funds for this project have been provided in H. B. 985, Item 315-074 (Utilities and Renovation).

d. Galvin Hall--Repair to Roof and Ventilation  
Lima Campus, The Ohio State University

	<u>Low Bid</u>	<u>Est. of Cost</u>
<u>General Contract</u> (2 bids received 5-15-75) Asbestos Roofing & Sheet Metal (Lima, Ohio)		
	\$ 25,894.00	\$ 34,500.00

Funds for this project have been provided from Budget Account 129001 (University College - Improvements).

June 6, 1975 meeting, Board of Trustees

IV. BUSINESS AND ADMINISTRATION (continued)

B. Report of Award of Contracts (continued)

2. Award of Contracts (continued)

e. Carmack Drive, Repairs to Drainage and Pavement

	<u>Low Bid</u>	<u>Est. of Cost</u>
<u>General Contract</u> (2 bids received 4-25-75) Legg & Davis Construction, Inc. (Columbus)	\$ 18,739.00	\$ 29,039.00

Funds for this project have been provided from Budget Account 126070 (Contract Repair).

f. Tunnel Repairs and Sidewalk Extension--Oval

	<u>Low Bid</u>	<u>Est. of Cost</u>
<u>General Contract</u> (3 bids received 5-22-75, Rebid) Ed Ross Construction Co. (Westerville, Ohio)	\$ 26,470.00	\$ 27,000.00

Funds for this project have been provided from Budget Account 126070 (Contract Repair).

g. Watts Hall--Repairs and Modifications to Ventilation System

	<u>Low Bid</u>	<u>Est. of Cost</u>
<u>Heating, Ventilating and Air Conditioning Contract</u> (3 bids received 5-22-75, Rebid) Julian Speer Company (Columbus)	\$ 21,300.00	\$ 25,000.00

Funds for this project have been provided from Budget Account 126070 (Contract Repair).

Upon motion of Mr. Devenow, seconded by Mr. Harrod, the above award of contracts and expenditure of funds were approved, and the action of the Vice President for Business and Administration was ratified by unanimous roll call vote.

IV. BUSINESS AND ADMINISTRATION (continued)

C. Other

1. Purchase of Buildings and Property - South Campus  
201 and 221 West Eleventh Avenue, 167 West Tenth Avenue

It was recommended that the President and/or Vice President for Business and Administration be authorized to proceed with the purchase of:

Lot #21, University Heights Addition, more commonly known as 201 West Eleventh Avenue, Columbus, Franklin County, Ohio, from Dr. and Mrs. Harold Wherley for \$37,500.00;

Lot #25, University Heights Addition, more commonly known as 221 West Eleventh Avenue, Columbus, Franklin County, Ohio, from Kenneth D. and Edna F. Hurst for \$56,500.00;

Lot #51, Elizabeth J. McMillen's University Addition, more commonly known as 167 West Tenth Avenue, Columbus, Franklin County, Ohio, from Mrs. Maude G. Hastings for \$24,000.00.

Three (3) properties totalling \$118,000.00 to be purchased in the name of the Board of Trustees, The Ohio State University, from General University Funds.

Upon motion of Mr. Safford, seconded by Mr. Gushman, the above recommendation was approved by unanimous roll call vote.

2. Lease - Land at Wayne County Fairgrounds for the Agricultural Technical Institute, Wooster

The Board of Trustees has determined that:

1. The Controlling Board has approved the expenditure of money by the University for the construction of an equine exercise facility on the Wayne County Fairgrounds, which building is now completed and in use.
2. The facility is for a variety of activities of Ohio State students, faculty and staff at the Agricultural Technical Institute, which activities are essential to the educational program offered by the University.

June 6, 1975 meeting, Board of Trustees

IV. BUSINESS AND ADMINISTRATION (continued)

C. Other (continued)

2. Lease - Land at Wayne County Fairgrounds for the Agricultural Technical Institute, Wooster (continued)

3. The useful life for this facility in furthering the educational needs and purposes of the Agricultural Technical Institute is approximately twenty-five (25) years.
4. It is this Board's desire and intention that after twenty-five (25) years of use of the facility, Ohio State will have no further claim of ownership and that the Fair Board shall have full title thereto.

President Enarson recommended that the Secretary of the Board of Trustees be authorized on behalf of the Board to execute the document in the form as filed with the official records of the Board of Trustees.

Upon motion of Mr. Gushman, seconded by Mr. Safford, the Board of Trustees approved the foregoing recommendation by unanimous roll call vote.

3. University Airport - Master Planning Grant Agreement Federal Aviation Administration

President Enarson recommended that the Secretary of the Board of Trustees be authorized on behalf of the Board to enter into an agreement with the Federal Aviation Administration (FAA), U. S. Department of Transportation, accepting an offer from the FAA to fund in an amount not to exceed \$25,000.00, an Airport Master Planning Project for The Ohio State University Airport.

A copy of this offer, Contract No. DOT-FA-75-GL-7588, dated May 29, 1975, is attached hereto and incorporated herein by reference. (See pages 635-642.)

Upon motion of Mr. Devenow, seconded by Mr. Safford, the Board of Trustees approved the above recommendation by unanimous roll call vote.

D. Report of Controlling Board Actions Pertaining to The Ohio State University

- 23 Approves the release of \$390,100.00 from H. B. 985, Item 315-074 (Utilities and Renovation), for awarding the construction contracts for the project known as "Traffic Improvements."

June 6, 1975 meeting, Board of Trustees

IV. BUSINESS AND ADMINISTRATION (continued)

D. Report of Controlling Board Actions Pertaining to The Ohio State University (continued)

- 24 Approves the release of \$81,500.00 from H.B. 985, Item 315-082 (Mansfield Campus, Phase IV), to transfer this sum to Item 380-001 (Equipment, Improvements and Contingency, North Central Ohio Technical College), so ordering of equipment can begin on the project known as "Mansfield Campus, Phase IV."
- 25 Approves the release of \$286,000.00 from H.B. 985, Item 315-074 (Utilities and Renovation), for awarding the Electrical Contract for the project known as "Electrical Expansion - West Campus."
- 26 Approves the release of \$201,000.00 from H.B. 985, Item 315-074 (Utilities and Renovation), for awarding the construction contracts for the project known as "Central Campus Energy Control Center."
- 27 Approves the release of \$1,525,000.00 from H.B. 985, Item 315-083 (Lima Campus, Phase IV), for awarding the construction contracts on the project known as "Lima Campus, Phase IV."
- 28 Approves the release of \$1,450,000.00 from H.B. 985, Item 315-083 (Lima Campus, Phase IV), so that the construction contracts can be fully funded (total construction contracts, plus related costs - \$3,725,000.00). See Controlling Board Request No. 27.
- 29 Approves the release of \$165,817.00 from H.B. 985, Item 315-088 (Marion Campus, Phase II), to transfer this sum to Item 359-001 (Equipment, Improvements and Contingency, Marion Technical College), so that ordering of equipment can begin for the project known as "Marion Campus, Phase II."
- 30 Approves the release of \$3,540.00 from H.B. 985, Item 315-081 (Recreation, Physical Education, Intramural Facilities), for awarding the construction contracts on the project known as "Recreation, Physical Education, Intramural Facilities."
- 31 Approves the release of \$9,333,627.00 from H.B. 985, Item 315-077 (Clinical Medical Sciences Education Facility - Supporting Services Phase), for awarding the construction contracts on the project known as "Clinical Medical Sciences Education Facility (Supporting Services Phase)."
- 32 Approves the release of \$92,000.00 from H.B. 985, Item 315-074 (Utilities and Renovation), for awarding the construction contracts for the project known as "Haskett Hall Remodeling."

\*

\*

\*

V. REPORTS

A. Report of Auditor of State - The Ohio State University

The Annual Report of the Auditor of State for The Ohio State University for the fiscal year July 1, 1972 through June 30, 1973, has been received and reviewed by the appropriate officers of the University.

President Enarson recommended that the Annual Report of the Auditor of State for The Ohio State University for the fiscal year 1972-1973 be accepted and filed with the official documents of the University.

B. Report of Auditor of State - National Direct Student Loan Program - The Ohio State University

The Report of the Auditor of State for the National Direct Student Loan Program - The Ohio State University for the period July 1, 1970 through June 30, 1974, has been received and reviewed by the appropriate officers of the University.

President Enarson recommended that the Report of the Auditor of State for The Ohio State University - National Direct Student Loan Program be accepted and filed with the official documents of the University.

C. Reports from the Finance Committee

1. Sale of Property - Lot No. 146 in McCloud Subdivision, Unit No. 1 - County of Siskijou, McCloud, California

On behalf of the Board of Trustees, Mr. Devenow recommended that the real property known as Lot No. 146 in McCloud Subdivision, Unit No. 1, County of Siskijou, McCloud, California, be sold to Reno A. DeBon and Alice M. DeBon for the sum of \$15,000.00.

It was recommended further that Edward Q. Moulton, Vice President for Business and Administration, be authorized to proceed with the sale of said property and that the President and the Treasurer of The Ohio State University be authorized to execute the necessary documents to consummate the sale of the property as described in the foregoing paragraph.

Upon motion of Mr. Devenow, seconded by Mr. Harrod, the Board of Trustees approved the sale of property as described by unanimous roll call vote.

2. Investment Counseling

Mr. Devenow presented the following recommendation from the Finance Committee:



June 6, 1975 meeting, Board of Trustees

V. REPORTS (continued)

C. Reports from the Finance Committee (continued)

2. Investment Counseling (continued)

On behalf of the Finance Committee, I wish to recommend that the President and/or the Vice President for Business and Administration be authorized to enter into contracts for services with investment counseling firms for the purpose of assisting this committee and the Board in the management of the University's endowment.

Upon motion of Mr. Devenow, seconded by Mr. Harrod, the above recommendation was approved by unanimous roll call vote.

D. Report on the University's Investment Portfolio

The report dated June 6, 1975, as submitted to the Finance Committee of the Board of Trustees by Mr. Ernest W. Leggett pertaining to the University's Investment Portfolio, was received and ordered to be filed with the official records of the Board of Trustees.

\*

\*

\*

Thereupon the Board adjourned to meet Friday, July 11, 1975, at The Ohio State University Fawcett Center for Tomorrow, Columbus, Ohio, at 1:30 p.m.

Attest:

\_\_\_\_\_  
Edward Q. Moulton  
Secretary

\_\_\_\_\_  
John H. Dunlap  
Chairman

Page 634 Blank

APPENDIX IV

DEPARTMENT OF TRANSPORTATION  
FEDERAL AVIATION ADMINISTRATION

Planning Grant Agreement  
Project No. A-39-0027-01  
Contract No. DOT-FA-75-GL-7588

Page 636 Blank

DEPARTMENT OF TRANSPORTATION  
FEDERAL AVIATION ADMINISTRATION

PAGE 1 OF 6 PAGES

PLANNING GRANT AGREEMENT

PART I -- OFFER

DATE OF OFFER May 29, 1975

TYPE OF PLANNING GRANT:

AIRPORT MASTER PLANNING FOR  
The Ohio State University Airport

PROJECT NO. A-39-0027-01

CONTRACT NO. DOT-FA-75-GL-7588

AIRPORT SYSTEM PLANNING FOR  
\_\_\_\_\_  
\_\_\_\_\_

TO: Board of Trustees of the Ohio State University, Columbus, Ohio  
\_\_\_\_\_  
(herein referred to as the "Sponsor")

FROM: The United States of America (acting through the Federal Aviation Administration, herein referred to as the "FAA").

WHEREAS, the Sponsor has submitted to the FAA, an Airport Master Planning Grant Application  
(Master or System)

dated May 12, 1975 (herein called the "Planning Application"), for a grant of funds for a project for the development for planning purposes of information and guidance to determine the extent, type, and nature of development needed for \_\_\_\_\_

(airport area name and/or location)  
The Ohio State University Airport at Columbus, Ohio  
(herein called the airport), which Planning Application as  
(airport or area)

approved by the FAA is hereby incorporated herein and made a part hereof; and WHEREAS, the FAA has approved a project for the development of plans for the airport (herein called the "Planning Project") consisting  
(airport or area)

of the following approved airport Master planning:  
(master or system)

- I. Determination of Airport Requirements; including Inventory, Forecasts, Demand/Capacity Analysis; Facility Requirements & Environmental Study & Report.
- II. Airport Plans; including Airport Layout Plan, Land Use Plan, Airport Zoning Map, Terminal Area Plans, Airport Access Plan & Environmental Impact Assessment Report.
- III. Financial Plan; including Schedules & Cost Estimates of proposed developments, Economic Feasibility and Capital Improvement Program.
- IV. Public Information & Reports.

all as more particularly described in the Description of Work Program incorporated in the said Planning Application;

NOW THEREFORE, pursuant to and for the purpose of carrying out the provisions of the Airport and Airway Development Act of 1970, as amended, and in consideration of (a) the Sponsor's adoption and ratification of the representations and assurances contained in said Planning Application, and its acceptance of this Offer, as hereinafter provided, and (b) the benefits to accrue to the United States and the public from the accomplishment of the airport Master  
(master or system)

planning included in the Planning Application, THE FEDERAL AVIATION ADMINISTRATION, FOR AND ON BEHALF OF THE UNITED STATES, HEREBY OFFERS AND AGREES to pay, as the United States share 66-2/3 percent of the allowable costs incurred in accomplishing the Planning Project, subject to the following terms and conditions:

1. The maximum obligation of the United States payable under this Offer shall be \$ 25,000.
2. The FAA, for and on behalf of the United States, may by written notice terminate or suspend this grant in whole or in part, or withhold payment, in the event that it finds that the Sponsor has:
  - a. Failed to comply with Federal law or with any of the terms and conditions contained in this Planning Grant Agreement;
  - b. Failed to carry out the Planning Project as approved;
  - c. Made unauthorized or improper use of grant funds;
  - d. Submitted any application, report, or other document which contains a misrepresentation of a material nature or is incorrect or incomplete in any material respect; or,
  - e. If for any reason continuation of the approved Planning Project is rendered impossible, ineligible, or illegal.

The Sponsor shall take such action relative to termination or suspension as may be required by the FAA in the notice of termination or suspension. In such case termination or suspension shall not affect any otherwise valid and allowable obligations made in good faith prior to receipt of notice of termination or suspension.

3. The Sponsor shall:
  - a. Begin accomplishment of the Planning Project within 90 days after acceptance of this Offer, with failure to do so constituting just cause for termination of the obligations of the United States hereunder by the FAA;
  - b. Carry out and complete the Planning Project without undue delay and in accordance with the terms hereof, the Airport and Airway Development Act of 1970, and ~~the~~ the Regulations of the Federal Aviation Administration ~~in effect as of the date of acceptance of this Offer; which Regulations are hereinafter referred to as the "Regulations";~~
  - c. Carry out and complete all planning work in accordance with the Description of Work Program, incorporated herein, or as it may be revised or modified with the approval of the FAA and in accordance with design standards and planning criteria established by the FAA;



15. The Sponsor agrees that neither the approval of the Planning Application nor the tender of this Offer nor the approval of the final airport Master planning report constitutes an assurance or commitment, *(master or system)* express or implied, by the FAA, that any airport development or unit thereof shown in the planning developed as part of this Planning Application will be approved for inclusion in any pending or future Airport and Airway development Program under the Airport and Airway Development Act of 1970.
16. Condition 5 is hereby deleted and replaced by the following condition:  
Payment of the United States' share of the allowable project costs will be made pursuant to and in accordance with the provisions of Part 152 of the Federal Aviation Regulations. Final determination as to the allowability of the costs of the project will be made after final audit.
17. It is understood and agreed by and between the parties hereto that Federal participation in the printing of the Final Master Plan Report will be limited to 200 copies of a condensed non-technical version for public consumption and 50 copies of the technical version of the Final Master Plan Report with Supplements and appendices as required, and one set of reproducible prints of drawings. It is further understood and agreed that Federal participation in the printing of preliminary reports, interim reports and drafts of final master plan reports will be limited to 20 copies.
18. It is understood that the State of Ohio, Division of Aviation, is undertaking a State Aviation System Plan study and that the Sponsor will provide the State a copy of reports and information developed as part of this master planning project. Further, it is understood that the Sponsor will communicate and coordinate the progress of this study with clearinghouse responders desiring additional involvement.
19. It is understood and agreed by and between the parties hereto that the Sponsor, in order to satisfy condition nine (9) above, will furnish FAA with monthly progress reports which contain as a minimum: (a) the amount of work accomplished, (b) a narrative discussion of any unusual problems or conditions encountered and (c) decisions made or conclusions reached which would alter the course of the study.
20. The Sponsor agrees that an Environmental Impact Assessment Report will be prepared in accordance with Section 102(2)(c) of the National Environmental Policy Act of 1969 (Public Law 91-190), and Section 16(d)(1) of the Airport and Airway Development Act of 1970 (Public Law 91-258). The Environmental Impact Assessment Report portion of the project shall not be undertaken without written Notice to Proceed from FAA and all associated costs shall be deleted should the EIAR not be accomplished.



The Sponsor's acceptance of this Offer and ratification and adoption of the Planning Application incorporated herein shall be evidenced by execution of this instrument by the Sponsor, as hereinafter provided, and said Offer and Acceptance shall comprise an Airport Master Planning Grant Agreement, as provided by (Master or System)

the Airport and Airway Development Act of 1970, constituting the obligations and rights of the United States and the Sponsor with respect to the accomplishment of the Planning Project. Such Airport Master (Master or System)

Planning Grant Agreement shall become effective upon the Sponsor's acceptance of this Offer.

UNITED STATES OF AMERICA  
FEDERAL AVIATION ADMINISTRATION

BY James M. Crotney  
(Title)  
Acting Chief, Airports District Office  
PART II - ACCEPTANCE

The Ohio State University

\_\_\_\_\_ (herein referred to as the "Sponsor") does hereby ratify and adopt all statements, representations, warranties, covenants, and agreements contained in the Airport Master (Master or System)

Planning Grant Application and incorporated materials referred to in the foregoing Offer and does hereby accept said Offer and by such acceptance agrees to all of the terms and conditions thereof.

Executed in its name by its undersigned officer on this \_\_\_\_\_ day of \_\_\_\_\_, 19\_\_\_\_, in \_\_\_\_\_, County of \_\_\_\_\_, State of Ohio

(SEAL)

Attest: [Signature]  
Title: [Title]

The Ohio State University  
(LEGAL NAME OF SPONSOR/COSPONSOR)

BY [Signature]  
(SIGNATURE OF AUTHORIZED OFFICER)

Vice President for Business and Administration  
(TITLE OF AUTHORIZED OFFICER)

Executed in its name by its undersigned officer on this 10<sup>th</sup> day of June, 19 75, in Columbus, County of Franklin, State of Ohio

(SEAL)

**AVONELLE M. WEISLOGEL**  
NOTARY PUBLIC, FRANKLIN COUNTY, OHIO  
MY COMMISSION EXPIRES MAY 8, 1978

Attest: Avonelle M. Weislogel  
Title: Notary

\_\_\_\_\_  
(LEGAL NAME OF COSPONSOR)

BY \_\_\_\_\_  
(SIGNATURE OF AUTHORIZED OFFICER)

\_\_\_\_\_  
(TITLE OF AUTHORIZED OFFICER)

Executed in its name by its undersigned officer on this \_\_\_\_\_ day of \_\_\_\_\_, 19\_\_\_\_, in \_\_\_\_\_, County of \_\_\_\_\_, State of \_\_\_\_\_.

(SEAL)

\_\_\_\_\_  
(LEGAL NAME OF COSPONSOR)

BY \_\_\_\_\_  
(SIGNATURE OF AUTHORIZED OFFICER)

Attest: \_\_\_\_\_

Title: \_\_\_\_\_

\_\_\_\_\_  
(TITLE OF AUTHORIZED OFFICER)

CERTIFICATE OF SPONSOR'S ATTORNEY

I, JACOB E. DAVIS II, acting as Attorney for The Ohio State University  
\_\_\_\_\_  
(herein referred to as the "Sponsor") do

hereby certify:

That I have examined the foregoing airport Master Planning Grant Agreement and the  
(Master or System)  
proceedings taken by said Sponsor relating thereto, and find that the Acceptance thereof by said Sponsor has been duly authorized and that the execution thereof is in all respects due and proper and in accordance with the laws of the State(s) of Ohio, and further that, in my opinion, said airport Master Planning Grant Agreement  
(Master or System)

constitutes a legal and binding obligation of the Sponsor in accordance with the terms thereof.

Dated at Columbus this 9th day of June, 191975.

[Signature]  
(Signature)  
Special Counsel to the  
(Title)

Attorney General of Ohio  
for the Ohio State University

INDEX TO OFFICERS AND EMPLOYEES

1974-1975

A		Chang, Hao . . . . .	600
Abercrombie, Gene R. . . . .	2	Chapman, James P. . . . .	602
Ackerman, Norleen . . . . .	177	Chazan, Robert L. . . . .	600
Ahlswede, Rudolf F. . . . .	176, 431	Clark, Laura R. . . . .	12
Alexander, Lucile B. . . . .	110	Cole, David W. . . . .	604
Allen, Florence Babb . . . . .	243	Coles, Harry L., Jr. . . . .	10
Altick, Richard D. . . . .	509, 600	Compton, John Michael . . . . .	177
Armitage, Richard H. . . . .	423	Conrad, Marion J. . . . .	12
Ashbrook, Willard P. . . . .	322	Converse, Beulah B. . . . .	177
B		Cook, Desmond L. . . . .	176
Bacon, John . . . . .	323	Cook, Yvonne L. . . . .	332
Bacon, Wayne L. . . . .	403	Cottrell, Robert D. . . . .	10, 400
Bailey, Lena . . . . .	604	Crawford, Edwin M. . . . .	253
Baishanski, Bogdan M. . . . .	403	Crean, David E. . . . .	11
Baker, Evelyn S. . . . .	256	Crosswhite, F. Joe . . . . .	212, 600
Barden, Roderick D. . . . .	426	D	
Bardwell, Ann S. . . . .	116	Daly, Robert F. . . . .	212
Barnes, Robert A. . . . .	423	Dathorne, Oscar R. . . . .	116
Beal, Jack L. . . . .	603	Davis, Francis W. . . . .	174
Beatty, Harry M. . . . .	458	Deep, Ira W. . . . .	603
Beekman, Frederick . . . . .	200	DeStefano, Johanna S. . . . .	254
Bell, Donald S. . . . .	324	Devenow, Chester . . . . .	2, 395, 592
Bennett, Raymond D. . . . .	243	Dickey, Lois E. . . . .	604
Beran, Robert L. . . . .	600	Dirks, Marie M. . . . .	117
Bernhard, Robert B. . . . .	176	Dorn, C. Richard . . . . .	599
Blauser, Rebecca S. . . . .	477	Dunlap, John H. 2, 239, 458, 511, 592	
Blickle, Margaret D. . . . .	602	Dynes, Russell R. . . . .	176, 599, 604
Blum, Odette . . . . .	328	E	
Bonin, Therese M. . . . .	403	Eaton, Antionette P. . . . .	177
Boucher, Carl O. . . . .	427	Edwards, David O. . . . .	477
Bowerman, Ernest W. . . . .	601	Enarson, Harold L. . . . .	
Boyne, David H. . . . .	602	50, 115, 171, 199, 203, 236,	
Brickman, Dorothy . . . . .	477	237, 238, 239, 351, 353, 596	
Brodkey, Robert S. . . . .	255	Everhart, Velma V. . . . .	604
Brower, Nancy J. . . . .	212	F	
Bruce, William A. . . . .	116	Finn, Richard D. . . . .	477
Brush, Lauren F. . . . .	602	Flinn, William L. . . . .	255
Burnham, Walter C. . . . .	602	Folk, Robert L. . . . .	255
C		Forman, Jonathan A. . . . .	244
Campbell, Roald F. . . . .	12	Fotheringham, W. C. . . . .	256
Carey, Larry C. . . . .	176	Freimanis, Atis K. . . . .	599
Carpenter, Jot D. . . . .	603	Fuller, J. Osborn . . . . .	115
Chandrasekaran, Balakrishnan	176		

G	
Gatherum, Gordon E.	255, 599
Geis, Michael	604
Gist, George R.	598
Golden, James L.	431, 599, 603
Goldman, Harold	116
Graham, Douglas H.	477
Gregory, Timothy E.	256
Gushman, John L.	2, 167, 202, 238, 592

H	
Haas, Charles A.	110
Hamoudi, Ala B.	328
Harrod, M. Merle	2, 238, 458, 592
Hayon, Yehiel	10, 604
Hilliker, Don M.	592
Horrocks, Lloyd A.	116
Howell, Charles L.	473
Hubbard, Rachel M.	604
Humphrey, Sylvester S.	459

J	
Jacobs, Kathy J.	477
James, Patricia D.	2, 423, 592
Johnson, Ernest W.	603
Johnson, Geraldine A.	11
Jones, Frederick E.	245
Jones, Russel	603
Jones, Ted L.	598
Jordan, James Adam	601

K	
Kapral, Frank A.	604
Kerber, James E.	116
Kessler, John W.	2, 239
Kindred, Michael J.	598
Kircher, Everett J.	3
Knoll, Josef N.	593
Kostir, Wencel J.	428
Kozyris, Phaendon John	256
Krumm, Phyllis A.	602

L	
Landin, Joseph	116
LaPidus, Jules B.	176
Latiolais, Clifton J.	603
Laughlin, Stanley, Jr.	116

Lee, Warren F.	477
Leggett, Ernest W.	284, 458
Lehiste, Ilse	509, 600
Liddle, R. William	212
Ludden, Franklin M.	603
Lynch, Joseph H.	601

#### M

MacMinn, Paul	601
Malspeis, Louis	603
Mar Hoover, Rodney	431
Mark, Mary Louise	428
Marzeki, Yousef	600
McClester, Jean	12
McCoy, James R.	117
McDonagh, Edward C.	115, 473
McElrath, Miles	604
McGrew, Chester Newton	332
Means, John William	594
Miles, David H.	509
Miljus, Robert J.	604
Miller, Aaron J.	599, 603
Miller, Robert H.	403
Mills, Pauline K.	332
Milum, Richard	117
Mooney, Ross L.	602
Mordy, Margaret A.	117
Morganstern, James	328
Morrow, John C.	176, 431
Mote, Herbert G.	111
Moulton, Edward Q.	284, 458
Mount, John T.	423
Musgrave, Orlo L.	332

#### N

Neiswander, Claud R.	112
Nystrand, Raphael	603

#### O

Osborne, Alan R.	11
Oster, Clinton V.	604

#### P

Parnes, Herbert S.	255, 599, 603
Parsons, Donald O.	601
Peters, Herman J.	176
Pierce, John M.	478
Powell, Reed M.	10
Pulse, Paul F.	117

## R

Randall, John Reed . . . .	12
Raphael, Marc L. . . . .	11
Rayner, John . . . . .	403
Richards, Rachel E. . . . .	12
Ries, Victor Heinrich . . . .	4
Rigney, Barbara . . . . .	478
Rigsby, O. Lee . . . . .	403
Robinson, Charles E. . . . .	256
Romig, Robert L. . . . .	177
Rosen, Bernard . . . . .	11
Rucker, T. Donald . . . . .	603
Ryan, Kevin . . . . .	598

## S

Safford, William C. . . . .	
239, 242, 321, 395, 592	
Saslaw, Samuel . . . . .	245
Saunders, William H. . . . .	603
Scheaffer, C. Gibson . . . . .	602
Scheps, Walter . . . . .	601
Schultz, James E. . . . .	177
Schwartz, Betty . . . . .	12
Senhauser, Donald A. . . . .	328, 603
Shewmon, Paul G. . . . .	403
Singh, Inderjit . . . . .	601
Sirak, Howard D. . . . .	2, 239, 592
Sitterley, John H. . . . .	177
Slagle, L. Orin . . . . .	328
Smallwood, Osborn T. . . . .	115
Smith, Merritt Roe . . . . .	117
Smith, Warren J. . . . .	242, 321, 322, 592
Sowle, Claude . . . . .	116
Stahl, Fred A. . . . .	477
Steffel, R. Vladimir . . . . .	11
Steffy, David L. . . . .	254
Stewart, Mac A. . . . .	598
Stobbs, Dwight F. . . . .	284
Stogdill, Ralph M. . . . .	602
Stone, Leo D. . . . .	177
Stull, Robert J. . . . .	600, 604
Swain, Marshall . . . . .	11

## T

Taylor, Claribel M. . . . .	604
Taylor, Robert E. . . . .	212

## U

Unger, Pamela M. . . . .	328
--------------------------	-----

## V

Volk, Garth W. . . . .	602
Voss, Jerrold R. . . . .	603
Vroonland, Jewell L. . . . .	598

## W

Walker, John A. . . . .	603
Wallace, William R. . . . .	115
Waller, Adolph E. . . . .	396
Watson, William Henry, Jr. . . .	595
Weisberg, Herbert F. . . . .	601
Wigtill, James V. . . . .	10
Willard, Charles J. . . . .	174
Williams, C. Ray . . . . .	255
Williams, Charles L. . . . .	5
Wilson, John R. . . . .	116, 117
Wise, Mary Elizabeth Fontana . .	332
Wisecarver, Daniel . . . . .	601
Witiak, Donald T. . . . .	603
Wojcicki, Andrew . . . . .	509
Wolf, Harold H. . . . .	603
Woodring, Warner F. . . . .	325
Woods, Gladys G. . . . .	256
Woodson, Nancy H. . . . .	12, 478
Woodson, Thomas M. . . . .	10, 603
Woodyard, Olive . . . . .	332

## Y

Young, Paul E., Jr. . . . .	602
-----------------------------	-----

## Z

Zassenhaus, Hans . . . . .	11
----------------------------	----

GENERAL INDEX

1974-1975 Minutes

A

A & C Construction Company . . . . .	282
Abbott Laboratories, North Chicago, Illinois . . . . .	342
Abbott Laboratories, North Chicago, Illinois (Research Foundation Contract/Grant) . . . . .	190
Academic Facilities Field Audit, The Ohio State University . . . . .	157
Academy for Contemporary Problems . . . . .	507, 617, 618, 619
Accountant's Report on University Dormitory Revenue Bond Funds . . . . .	286
Administrative Officials, Expenses for Designated . . . . .	167
Admission Policies for Graduate Professional Programs . . . . .	201
Adria Laboratories, Inc., Wilmington, Delaware . . . . .	275
Agency for International Development, Department of State, Washington, D. C. . . . .	19, 180, 258
Agency for International Development, Washington, D. C. (Research Foundation Contract/Grant) . . . . .	23
Agreements . . . . .	164, 165, 505
Agricultural Technical Institute, Wooster, Ohio . . . . .	45, 235, 505, 629
Agriculture and Home Economics, College of . . . . .	235
Agriculture, Department of, Peoria, Illinois . . . . .	130
Agriculture, U. S. Department of, Northeastern Forest Experiment Station, Upper Darby, Pennsylvania (Research Foundation Contract/ Grant) . . . . .	484
Air Force, Department of the, Air Force Office of Scientific Research, Arlington, Virginia (Research Foundation Contracts/Grants) 409, 436, 612, 614	
Air Force, Department of the, Air Force Special Weapons Center (AFSC), Kirtland Air Force Base, New Mexico (Research Foundation Contract/Grant) . . . . .	437
Air Force, Department of the, Air Force Systems Command, 4950th Test Wing/PMEA, Wright-Patterson Air Force Base, Ohio (Research Foundation Contract/Grant) . . . . .	337
Air Force, Department of the, Air Force Systems Command, Rome Air Development Center, Griffiss Air Force Base, New York (Research Foundation Contracts/Grants) . . . . .	26, 221
Air Force, Department of the, Electronic Systems Division, Bedford, Massachusetts (Research Foundation Contract/Grant) . . . . .	184
Air Force, Department of the, Electronic Systems Division, Air Force Systems Command, Bedford, Massachusetts (Research Foundation Contracts/Grants) . . . . .	263, 264
Air Force, Department of the, Electronic Systems Division, Laurence G. Hanscom Field, Bedford, Massachusetts (Research Foundation Contracts/Grants) . . . . .	147, 148
Air Force, Department of the, 4950th Test Wing, Air Force Systems Command, Wright-Patterson Air Force Base, Ohio (Research Foundation Contracts/Grants) . . . . .	30, 145-148, 184, 186
Air Force, Department of the, Office of Scientific Research, Arlington, Virginia (Research Foundation Contracts/Grants) 25, 29, 132, 133, 146, 272	

Air Force, Department of the, Rome Air Development Center, Griffiss Air Force Base, New York, (Research Foundation Contracts/Grants)	24, 28, 29, 145, 149, 337
Air Force, Department of the, Rome Air Development Center (AFSC), Griffiss Air Force Base, New York, (Research Foundation Contract/ Grant)	436
Air Force, Department of the, Rome Air Development Center (PMRZ), Griffiss Air Force Base, New York (Research Foundation Contract/ Grant)	407
Air Force, Department of the, Rome Air Development Center, Air Force Systems Command, Griffiss Air Force Base, New York (Research Foundation Contract/Grant)	272
Air Force, Department of the, 2750th Air Base Wing/PMA, Wright- Patterson Air Force Base, Ohio (Research Foundation Contract/ Grant)	338
Air Force, Department of the, 2750th Air Base Wing/PMA, Specialized Procurement Branch, Building 2, Area C, Wright-Patterson Air Force Base, Ohio	270
Alcoa Foundation, New Kensington, Pennsylvania	618
Alcoa Foundation, Pittsburgh, Pennsylvania	228
Allied Chemical Foundation, Morristown, New Jersey	154
Allstate Foundation (The), Hudson, Ohio	154
Ambulatory Patient Teaching Facility - Quadrangle Green Area	163, 164
Amendment to Sick Leave Policy	9
American Cancer Society, Ohio Division, Columbus, Ohio (Research Foundation Contracts/Grants)	192, 193
American Cyanamid Company, Pearl River, New York	276
American Foundation for Pharmaceutical Education, Fair Lawn, New Jersey	229, 440
American Gas Association, Arlington, Virginia	194
American Heart Association, Central Ohio Heart Chapter, Columbus, Ohio (Research Foundation Contracts/Grants)	191, 192, 224-225, 413
American Heart Association, East Central Ohio Chapter, Inc., Canton, Ohio (Research Foundation Contract/Grant)	225
American Heart Association, Eastern Ohio Chapter, Inc., Youngstown, Ohio (Research Foundation Contracts/Grants)	227, 487
American Heart Association, Inc., New York, New York (Research Foundation Contracts/Grants)	31, 138
American Iron and Steel Institute, New York, New York (Research Foundation Contracts/Grants)	137
American Iron and Steel Institute, New York, New York	152
American Medical Association Education and Research Foundation, Chicago, Illinois	32
American Otological Society, St. Louis, Missouri (Research Foundation Contracts/Grants)	138, 616
Amoco Foundation, Chicago, Illinois	229, 342
AMP, Incorporated, Glen Rock, Pennsylvania	194
Antique Show Receipts (given in the name of Mrs. Josephine S. Failer, Columbus, Ohio)	489
Apple Creek State Institute, Apple Creek, Ohio	505
Architecture, Department of	397
Architecture, School of	397
Arjay Construction Co., Inc.	502
Armco Foundation, Middletown, Ohio	195

Army, Department of the, Huntington, West Virginia . . . . .	135, 136
Army, Department of the, Army Electronics Commission, Fort George G. Meade, Maryland . . . . .	148
Army, Department of the, Defense Supply Service, Washington, D. C. . . . .	219
Army, Department of the, Eustis Directorate, Fort Eustis, Virginia . . . . .	149
Army, Department of the, Harry Diamond Laboratories, Washington, D. C. . . . .	149
Army, Department of the, Headquarters Army Electronics Command, Fort Monmouth, New Jersey . . . . .	184
Army, Department of the, Maryland Procurement Office, USAECOM, Ft. George G. Meade, Maryland . . . . .	486
Army, Department of the, Medical Research and Development Command, Washington, D. C. . . . .	148, 224
Army, Department of the, Procurement and Production Directorate, Maryland Procurement Office, Ft. George G. Meade, Maryland . . . . .	185
Army, Department of the, U. S. Army Medical Research and Develop- ment Command, Washington, D. C. . . . .	410
Army, Department of the, United States Army Research Office - Durham, Durham, North Carolina . . . . .	437
Asbestos Roofing & Sheet Metal, Lima, Ohio . . . . .	627
Ashland County - West Holmes Joint Vocational School, Ashland, Ohio . . . . .	143
Associates of Medicine (The), Columbus, Ohio 139, 153, 228, 267, 276, 341, 414, 440, 489, 617	454
Atkinson-Dauksch Agencies, Inc. . . . .	444, 450
Atlas Electrical Construction, Elyria, Ohio . . . . .	284
Auditor of State, Report of - Educational Opportunity Grants Program - The Ohio State University . . . . .	632
Auditor of State, Report of - National Direct Student Loan Program - The Ohio State University . . . . .	632
Auditor of State, Report of - The Ohio State University . . . . .	454
Auditor of State, Report of - The Ohio State University Hospitals . . . . .	231
Aviation, Department of . . . . .	

B

B & Z Building, 1735 Neil Avenue, Exterior Masonry Repairs and Window Replacement . . . . .	278, 452
Babcock and Wilcox Company (The), Alliance, Ohio . . . . .	342
Bachelor of Science in Surveying Degree . . . . .	248, 454
Baker Construction Company . . . . .	198
Baltimore City Public Schools, Baltimore, Maryland . . . . .	271
Bankers Life and Casualty Company . . . . .	45
Barnes, Mazie M., Estate of, Columbus, Ohio . . . . .	34
Barnes, Robert L., (Dr.), Fellowship of Medicine . . . . .	34
Barry Equipment Company, Perrysburg, Ohio . . . . .	230
Basketball Television Broadcasting Contract . . . . .	45
Battelle Memorial Institute, Columbus, Ohio . . . . .	153, 194, 508, 617
Baum, Carl E., Albuquerque, New Mexico (Research Foundation Contract/Grant) . . . . .	31
Bell Laboratories, Columbus, Ohio . . . . .	415
Belle Valley Area Extension Center . . . . .	398
Bestway Mechanical, Zanesville, Ohio . . . . .	421



Bigley Electric Co., Findlay, Ohio . . . . .	498
Bingham, William, Foundation (The), Cleveland, Ohio . . . . .	276
Black, Gerald R., Memorial Scholarship Fund (The) . . . . .	195
Borden Foundation, Inc., Columbus, Ohio . . . . .	153
Boutselis, John G. (Dr.), Columbus, Ohio (Gift) . . . . .	230
Boutselis, John G. (The), Fund in Obstetrics and Gynecology . . . . .	230
Bremer Foundation (The), Youngstown, Ohio . . . . .	139, 154
Brenholts, Roy and Sara, Fund of The Columbus Foundation, Columbus, Ohio . . . . .	618
Bristol Laboratories, Syracuse, New York . . . . .	227
Brown Hall--Installation of New Elevator . . . . .	419, 502
Bryan Chamber of Commerce, Bryan, Ohio . . . . .	228
Buckeye Local School District, Board of Education, Ashtabula County, Ashtabula, Ohio . . . . .	483
Buckeye Pipe Line Company . . . . .	283
Buckeye Village . . . . .	57, 401
Buildings and Grounds Committee . . . . .	2, 322, 592
Buildings and Property, Purchase of . . . . .	44, 45, 235, 284, 629
Burns, John A., M. D. (Gift) . . . . .	621
Business and Administration, Office of . . . . .	118, 213, 333, 479
Bylaws of the Board of Trustees . . . . .	8, 253

C

C. & E. Mechanical, Columbus, Ohio . . . . .	422
Calf-Holding Shed, Moores Demonstration Farm, Ashland, Ohio . . . . .	158, 233
Campbell Hall, Office Improvements . . . . .	159, 236
Canaga, Ruth Regina Hale, Estate of, Lansing, Illinois . . . . .	34
Canaga, Wilbur Waite, Memorial Fund (The) . . . . .	34
Capital Fire Protection . . . . .	448, 504, 625
Carl's Plumbing & Heating Co., Marion, Ohio . . . . .	449
Carmack Drive, Repairs to Drainage and Pavement . . . . .	278, 628
Cary Arboretum of The New York Botanical Garden (The), Millbrook, New York . . . . .	275
Caspian Trading Company, Columbus, Ohio . . . . .	32
Central Campus Energy Control Center . . . . .	166, 631
Central Campus Energy Control Center - Phase I . . . . .	280, 500
Central Ohio Lung Association, Columbus, Ohio . . . . .	153
Chair in Radiology in the College of Medicine . . . . .	114, 206
Charleston Public Schools, Charleston, South Carolina . . . . .	406
Chevron Research Company, Richmond, California . . . . .	267
Chi Association of Theta Xi Scholarship Fund . . . . .	277
Children's Hospital - Dispatch Charities Pro-Am Championship, Columbus, Ohio . . . . .	341
Ciba-Geigy Corporation, Summit, New Jersey . . . . .	489, 618
Citizens' Task Force on Higher Education, 88 East Broad Street, Columbus, Ohio . . . . .	143
City National Bank and Trust Company (The), Columbus, Ohio . . . . .	342, 490
City and Regional Planning, Department of . . . . .	397
Civil Service Commission, Denver, Colorado (Research Foundation Contract/Grant) . . . . .	274
Civil Service Commission, Washington, D. C. (Research Foundation Contracts/Grants) . . . . .	30, 134, 136, 223, 224, 263, 273-275, 338, 339

Civil Service Commission, Bureau of Training, Washington, D. C. (Research Foundation Contracts/Grants)	187-189
Civil Service Commission, Bureau of Training, Management Sciences Training Center, Washington, D. C. (Research Founda- tion Contract/Grant)	29
Civil Service Commission, Denver Regional Training Center, Denver, Colorado (Research Foundation Contract/Grant)	189
Clinic Drive	327
Clinical Medical Sciences Education Facility (Supporting Services Phase)	197, 346, 492, 493, 631
Clow Foundation, Oak Brook, Illinois	342
Coady Contracting Co.	499
Coatings Application and Waterproofing Co., St. Louis, Missouri	503, 626
Cohen, A. B., Dolly and Ralph, Foundation (The), Cincinnati, Ohio	341
Collins, Timothy	357
Columbia Gas of Ohio, Inc.	234, 348
Columbus Bituminous Concrete Corporation, Columbus, Ohio	195
Columbus, City of, Columbus, Ohio	32, 194, 348, 349
Columbus, City of, Department of Public Safety, Columbus, Ohio	151
Columbus, City of, Ordinance No. 1768-74 - Vacation of Alley	283
Columbus Foundation (The), Columbus, Ohio	143
Columbus Metropolitan Area Community Action Organization's New Careers Program, Columbus, Ohio	182, 183, 609
Columbus and Southern Ohio Electric Company	234, 235, 283, 348
Columbus and Southern Ohio Electric Company and PPG Industries, Columbus, Ohio	617
Commerce, Department of, National Oceanic and Atmospheric Administration, Boulder, Colorado (Research Foundation Contract/ Grant)	188
Committee Appointments for 1975-1976	592
Continental Plumbing Company, Youngstown, Ohio	161
Corning Glass Works Foundation, Corning, New York	276
Council for Exceptional Children (The), Reston, Virginia (Research Foundation Contracts/Grants)	265, 266, 413
Crane, Helen L. (Mrs.) (Purchase of Buildings and Property)	44, 45
Critchfield, Robert M., Estate of, Detroit, Michigan	488
Crosen, J. A., Plumbing & Heating	447, 448, 493
Crosen Plumbing & Heating	421
Culler, Arthur M., Memorial Lecture Fund (The)	156
Customs - Power of Attorney	284
Cyclops Corporation	453

D

Dade Division, American Hospital Supply Corporation, Miami, Florida	139
Dairy Research, Inc., Rosemont, Illinois	340
Danis, B. G., Co.	492
Dayco Corporation, Springfield, Missouri	414
Dayco Corporation, Waynesville, North Carolina	152
Deafness Research Foundation (The), New York, New York (Research Foundation Contract/Grant)	340

DeBon, Reno A., and Alice M. DeBon (Sale of Property) . . . . .	632
Deed and Agreement of Easement . . . . .	283
Defense Civil Preparedness Agency, Region Four, Battle Creek, Michigan	216
Degrees and Certificates . . . . .	56, 248, 249, 327, 454, 461
Dentistry Building--Replacement of Basement Fan . . . . .	622
Dependents' Group Term Life Insurance Program . . . . .	285
Derby Hall Remodeling . . . . .	622
Development Fund Board of Directors . . . . .	2, 322
Diewald & Pope, Inc. . . . .	163
Distinguished Service Awards . . . . .	56
Don Scott Field . . . . .	44, 234
Donahue, Lois and Brian P. (Gift) . . . . .	620
Donahue, Lois and Brian P., Endowment Fund (The) . . . . .	620
Dow Chemical Company, Midland, Michigan . . . . .	32
Drackett Tower, North Commons--Chilled Water Cross Connection . . . . .	157, 281
Driscoll, James P. . . . .	493
Duffy, William Henry, Memorial Fund . . . . .	620
Dulles, Foster Rhea, Hall . . . . .	206
du Pont, E. I., de Nemours & Company, Wilmington, Delaware . . . . .	33, 440
Durfey, Charles . . . . .	356, 394
Duriron Company, Inc. (The), Dayton, Ohio . . . . .	195

E

Easements . . . . .	44, 234, 235, 283, 348, 453
Eastman Kodak Company, Rochester, New York . . . . .	229, 267, 276
Education Task Force Through New Detroit, Inc., Detroit, Michigan . . . . .	22, 260
Educational Affairs Committee . . . . .	2, 592
Eick Building & Dairy Service, Wooster, Ohio . . . . .	233
Elano Corporation, Xenia, Ohio . . . . .	618
Electric Power Equipment Co., Columbus, Ohio . . . . .	162, 164, 445, 448, 451, 453, 495, 497, 500, 504, 627
Electric Power Research Institute, Palo Alto, California (Research Foundation Contract/Grant) . . . . .	487
Electrical Expansion--West Campus . . . . .	279, 500, 627, 631
Energy Conservation, Report on . . . . .	286
Engineering Experiment Station . . . . .	119, 214, 334, 480
Enrollment, Report on . . . . .	171, 203, 236
Environmental Protection Agency, Chicago, Illinois (Research Foundation Contract/Grant) . . . . .	145
Environmental Protection Agency, Cincinnati, Ohio (Research Foundation Contracts/Grants) . . . . .	131-133, 612, 614
Environmental Protection Agency, Washington, D. C. (Research Foundation Contracts/Grants) . . . . .	24, 25, 29, 128, 133, 147, 614
Environmental Protection Agency, National Environmental Research Center, Research Triangle Park, North Carolina (Research Foundation Contract/Grant) . . . . .	436
Environmental Protection Agency, Negotiated Contracts Branch, Contracts Management Division, Cincinnati, Ohio . . . . .	336
Environmental Protection Agency, U. S., Washington, D. C. (Research Foundation Contracts/Grants) . . . . .	407, 484
Equine Exercise Building, Wooster, Ohio . . . . .	45, 198, 235

Estey Corporation, Red Bank, New Jersey . . . . .	447
Evans, John . . . . .	201
Evans Laboratory--Ventilation (Phase I, First Floor) . . . . .	233, 284
Evans Laboratory--Ventilation (Phase II) . . . . .	284
Evans Laboratory--Ventilation (Phase II, Third and Fourth Floors) . . . . .	280, 503
Evans, Thomas J., Foundation (The), Newark, Ohio . . . . .	343
Exemption from Security Clearance of Certain Trustees . . . . .	597
Exxon Education Foundation, New York, New York . . . . .	489

F

Faculty and Administrative and Professional Staff . . . . .	53
Faculty and Administrative and Professional Staff - Salary Increases . . . . .	53
Family Medicine, Department of . . . . .	246
Family Relations and Human Development, Department of . . . . .	397
Farber Corporation . . . . .	451, 501, 503
Farnham Equipment Co., Greenville, Ohio . . . . .	450
Federal Aviation Administration . . . . .	44, 630, 635
Finance Committee . . . . .	2, 322, 592
Findley Sweet Shack . . . . .	165
Fiscal Affairs Committee . . . . .	592
Fisher, Max M. and Marjorie S., Foundation, Inc., Detroit, Michigan . . . . .	343
Flint Community Schools, Flint, Michigan . . . . .	271
Flory, Paul John (Dr.) (1974 Nobel Prize for Chemistry) . . . . .	236
Ford Foundation (The), New York, New York . . . . .	22, 127
Ford Motor Company Fund, Dearborn, Michigan . . . . .	276
Forging Industry Educational and Research Foundation, Cleveland, Ohio . . . . .	33
Foundation for Endowment of a Chair at Ohio State University, Inc., New York, New York . . . . .	267, 489
Franklin County, Board of County Commissioners . . . . .	165
Franklin County Court of Common Pleas, Adult Probation Department, Columbus, Ohio (Research Foundation Contracts/Grants) . . . . .	32, 151
Franklin County Court of Common Pleas, Department of Probation, Columbus, Ohio (Research Foundation Contract/Grant) . . . . .	275
Franklin, County of, Council on Aging, Parks and Recreation, Columbus, Ohio (Research Foundation Contract/Grant) . . . . .	412
Franklin, County of, Mental Health and Retardation Board, Columbus, Ohio . . . . .	183
Franklin, County of, Program for the Mentally Retarded, Columbus, Ohio . . . . .	182, 183
Franklin, County of, Sheriff's Office (Research Foundation Contract/Grant). . . . .	412
Freeman Supply Co., Toledo, Ohio . . . . .	450
Fruit Drinks, Inc. . . . .	165

G

Galbreath, John W. (Gift-in-Kind) . . . . .	231
Galion-Jeffrey, Columbus, Ohio (Gift) . . . . .	276
Galvin Hall - New Elevator (Lima Campus) . . . . .	232
Galvin Hall--Repair to Roof and Ventilation (Lima Campus, The Ohio State University) . . . . .	347, 627
Gannett, Frank E., Newspaper Foundation, Inc., Rochester, New York . . . . .	139
Geisinger, Archie L., Estate of . . . . .	619
Geisinger, Archie L., Fund in Mechanical Engineering . . . . .	619

General Electric Foundation, Bridgeport, Connecticut . . . . .	33
General Motors Corporation, Detroit, Michigan . . . . .	276
General Motors Corporation, Warren, Michigan . . . . .	230
Gesling Company (The), Lancaster, Ohio . . . . .	163, 420
Gifts-in-Kind . . . . .	231, 268, 277, 619
Gillette Research Institute, Rockville, Maryland (Research Foundation Contract/Grant) . . . . .	488
Gleason Memorial Fund, Inc., Rochester, New York . . . . .	342
GLT Industries, Inc., Northvale, New Jersey . . . . .	488
Golden Giant, Inc., Kenton, Ohio . . . . .	198
Goodrich, B. F., Company (The), Avon Lake, Ohio . . . . .	139
Goss Laboratory - Veterinary Hospital - Chilled Water Loop . . . . .	158, 422
Gould, William, and Associates, Cleveland, Ohio . . . . .	157, 236
Graduate Professional Programs, Admission Policies for . . . . .	201
Grandstaff, James O., Memorial Award . . . . .	268
Grandstaff, Margaritha A., Silver Spring, Maryland . . . . .	268, 415
Grant Foundation (The), New York, New York (Research Foundation Contract/Grant) . . . . .	30
Guenther Plumbing & Heating, Ashland, Ohio . . . . .	443
Gulf Oil Foundation, Pittsburgh, Pennsylvania . . . . .	267
Gund, George, Foundation (The), Cleveland, Ohio . . . . .	153
Guy, J. A., Inc., Dublin, Ohio . . . . .	449

H

Hamilton Hall Electric Service . . . . .	419, 502
Harman, Katharine F., Scholarship Fund . . . . .	269
Harman, Thomas D., Circleville, Ohio (Gift) . . . . .	269
Harris, Edith R., Estate of, Delphos, Ohio . . . . .	33
Harrison Cothern Partnership (The) . . . . .	491
Hartford, John A., Foundation, Inc. (The), New York, New York . . . . .	139, 276
Haskett Hall Remodeling . . . . .	166, 278, 501, 631
Hastings, Maude G. (Mrs.) (Purchase of Property) . . . . .	629
Hatfield, Lester, Electric Co. . . . .	502
Health, Education, and Welfare, Department of, Assistant Secretary for Planning and Evaluation, Washington, D. C. (Research Foundation Contract/Grant) . . . . .	219
Health, Education, and Welfare, Department of, National Institute of Education, Washington, D. C. (Grants) . . . . .	433
Health, Education, and Welfare, Department of, National Institute of Education, Washington, D. C. (Research Foundation Contract/Grant) . . . . .	406
Health, Education, and Welfare, Department of, National Institute of Education, Contracts and Grants Management Division, Washington, D. C. . . . .	121
Health, Education, and Welfare, Department of, Office of Child Health and Human Development, Washington, D. C. (Research Foundation Contract/Grant) . . . . .	435
Health, Education, and Welfare, Department of, Office of Education, Washington, D. C. . . . .	14, 16, 19, 121, 122, 124, 126, 142, 179, 336, 606
Health, Education, and Welfare, Department of, Office of Education, Washington, D. C. (Research Foundation Contracts/Grants) 23, 128, 223, 337, 339	

Health, Education, and Welfare, Department of, Office of Education, Bureau of Library and Learning Resources, Washington, D. C. (Research Foundation Contracts/Grants) . . . . .	188, 189
Health, Education, and Welfare, Department of, Office of Education, Bureau of Postsecondary Education, Washington, D. C. . . . .	14, 606
Health, Education, and Welfare, Department of, Office of Education, Division of Library Programs, Washington, D. C. (Research Foundation Contracts/Grants) . . . . .	189
Health, Education, and Welfare, Department of, Office of Education, Education Division, Bureau of Educational Personnel Development, Washington, D. C. (Research Foundation Contract/Grant) . . . . .	144
Health, Education, and Welfare, Department of, Office of Education, Grant and Procurement Management Division, Washington, D. C. . . . .	121
Health, Education, and Welfare, Department of, Office of Education, Grant and Procurement Management Division, Occupational and Adult Education Branch, Washington, D. C. . . . .	16
Health, Education, and Welfare, Department of, Office of Education, Occupational and Adult Education Branch, Washington, D. C. . . . .	482
Health, Education, and Welfare, Department of, Office of Human Develop- ment, Rehabilitation Services Administration, Bethesda, Maryland . . . . .	433
Health, Education, and Welfare, Department of, Public Health Service, Bethesda, Maryland 14-20, 121-126, 142, 179, 258, 270, 433, 482, 606, 607, 608	
Health, Education, and Welfare, Department of, Public Health Service, Alcohol, Drug Abuse, and Mental Health Administration, National Institute on Alcohol Abuse and Alcoholism, Bethesda, Maryland (Research Foundation Contracts/Grants) . . . . .	28, 130
Health, Education, and Welfare, Department of, Public Health Service, Alcohol, Drug Abuse, and Mental Health Administration, National Institute on Drug Abuse, Rockville, Maryland (Research Foundation Contract/Grant) . . . . .	145
Health, Education, and Welfare, Department of, Public Health Service, Alcohol, Drug Abuse, and Mental Health Administration, National Institute of Mental Health, Bethesda, Maryland (Research Foundation Contracts/Grants). . . . .	29, 222, 409
Health, Education, and Welfare, Department of, Public Health Service, Alcohol, Drug Abuse, and Mental Health Administration, National Institute of Mental Health, Rockville, Maryland (Research Foundation Contracts/Grants) . . . . .	131, 146, 221
Health, Education, and Welfare, Department of, Public Health Service, Center for Disease Control, Atlanta, Georgia (Research Foundation Contract/Grant) . . . . .	273
Health, Education, and Welfare, Department of, Public Health Service, Center for Disease Control, National Institute of Occupational Safety and Health, Rockville, Maryland (Research Foundation Contract/ Grant) . . . . .	223
Health, Education, and Welfare, Department of, Public Health Service, Fogarty International Center, Scholars and Fellowships Program Branch, Bethesda, Maryland . . . . .	218
Health, Education, and Welfare, Department of, Public Health Services, Food and Drug Administration, Rockville, Maryland (Research Foundation Contracts/Grants) . . . . .	27, 133, 134, 136, 145, 186, 223, 265, 339

Health, Education, and Welfare, Department of, Public Health Service, Health Resources Administration, Rockville, Maryland (Research Foundation Contracts/Grants) . . . . .	184, 273, 339
Health, Education, and Welfare, Department of, Public Health Service, Health Resources Administration, Bureau of Health Resources Development, Bethesda, Maryland . . . . .	216, 217, 270, 483
Health, Education, and Welfare, Department of, Public Health Service, Health Resources Administration, Bureau of Health Resources Development, Bethesda, Maryland (Research Foundation Contracts/ Grants) . . . . .	144, 261
Health, Education, and Welfare, Department of, Public Health Service, Health Resources Administration, Bureau of Health Resources Development, Washington, D. C. . . . .	607
Health, Education, and Welfare, Department of, Public Health Service, Health Resources Administration, Division of Dental Health, Region V, Chicago, Illinois (Research Foundation Contract/Grant) . . . . .	219
Health, Education, and Welfare, Department of, Public Health Service, National Cancer Institute, Bethesda, Maryland . . . . .	180, 258
Health, Education, and Welfare, Department of, Public Health Service, National Heart and Lung Institute, Bethesda, Maryland . . . . .	258, 606
Health, Education, and Welfare, Department of, Public Health Service, National Institute of Allergy and Infectious Diseases, Bethesda, Maryland . . . . .	180
Health, Education, and Welfare, Department of, Public Health Service, National Institute of Health, Bureau of Health Manpower Education, Bethesda, Maryland (Research Foundation Contracts/Grants) . . . . .	128, 130
Health, Education, and Welfare, Department of, Public Health Service, National Institute of Mental Health, Grants and Contracts Management Branch, Bethesda, Maryland . . . . .	179, 217
Health, Education, and Welfare, Department of, Public Health Service, National Institutes of General Medical Sciences, Bethesda, Maryland . . . . .	608
Health, Education, and Welfare, Department of, Public Health Service, National Institutes of Health, Child Health and Human Development, Bethesda, Maryland (Research Foundation Contract/Grant) . . . . .	148
Health, Education, and Welfare, Department of, Public Health Service, National Institutes of Health, Division of Research Resources, Bethesda, Maryland (Research Foundation Contracts/Grants) 144, 188, 261, 612	
Health, Education, and Welfare, Department of, Public Health Service, National Institutes of Health, National Cancer Institute, Bethesda, Maryland (Research Foundation Contracts/Grants) 23, 24, 27, 28, 129, 130, 144-146, 184-187, 223, 261, 262, 406, 407, 435, 437, 485, 610-612	
Health, Education, and Welfare, Department of, Public Health Service, National Institutes of Health, National Eye Institute, Bethesda, Maryland (Research Foundation Contracts/Grants) . . . . .	25, 27, 132, 272
Health, Education, and Welfare, Department of, Public Health Service, National Institutes of Health, National Heart and Lung Institute, Bethesda, Maryland (Research Foundation Contracts/Grants) 23, 24, 27, 30, 128, 148, 185, 219, 220, 262-264, 407, 410, 411, 485, 486, 611	
Health, Education, and Welfare, Department of, Public Health Service, National Institutes of Health, National Institute of Allergy and Infectious Diseases, Bethesda, Maryland (Research Foundation Contracts/Grants) . . . . .	24, 29, 129, 131, 610

Health, Education, and Welfare, Department of, Public Health Service, National Institutes of Health, National Institute of Arthritis, Metabolic, and Digestive Diseases, Bethesda, Maryland (Research Foundation Contracts/Grants) . . . . .	25, 30, 131, 220, 222, 410, 611
Health, Education, and Welfare, Department of, Public Health Service, National Institutes of Health, National Institute of Child Health and Human Development, Bethesda, Maryland (Research Foundation Contracts/Grants) . . . . .	26, 219, 222, 275
Health, Education, and Welfare, Department of, Public Health Service, National Institutes of Health, National Institute of Dental Research, Bethesda, Maryland (Research Foundation Contracts/Grants) . . . . .	26, 613
Health, Education, and Welfare, Department of, Public Health Service, National Institutes of Health, National Institute of General Medical Sciences, Bethesda, Maryland (Research Foundation Contracts/Grants) 23, 26, 129, 132, 148, 186-188, 262, 407, 410, 436	23, 26, 129, 132, 148, 186-188, 262, 407, 410, 436
Health, Education, and Welfare, Department of, Public Health Service, National Institutes of Health, National Institute of Neurological Diseases and Stroke, Bethesda, Maryland (Research Foundation Contracts/Grants) . . . . .	23, 128, 184, 218, 220, 221, 338, 408
Health, Education, and Welfare, Department of, Public Health Service, Region V, Bureau of Health Resources Development, 300 South Wacker Drive, Chicago, Illinois . . . . .	258
Health, Education, and Welfare, Department of, Public Health Service, 300 South Wacker Drive, Chicago, Illinois . . . . .	121-124, 217
Health, Education, and Welfare, Department of, Region V, Social and Rehabilitation Service - RSA, Chicago, Illinois . . . . .	122
Health, Education, and Welfare, Department of, Region V, Social and Rehabilitation Service - Rehabilitation Services, Chicago, Illinois 16, 179, 180	16, 179, 180
Health, Education, and Welfare, Department of, Region V, Social and Rehabilitation Service - RSA Developmental Disabilities, Chicago, Illinois . . . . .	15, 20
Health, Education, and Welfare, Department of, Social and Rehabilitation Service, Chicago, Illinois . . . . .	122
Health, Education, and Welfare, Department of, Social and Rehabilitation Services, Washington, D. C. (Research Foundation Contract/Grant) . . . . .	144
Health Sciences, Reorganization of . . . . .	6, 8, 9
Health Sciences, Vice President for . . . . .	9
Heckart, Eileen, Collection . . . . .	268
High, Charles F., Foundation (The), Bucyrus, Ohio . . . . .	229, 415, 489
Hitchcock, Fred A. (Dr.), Columbus, Ohio (Gift) . . . . .	415
Hitchcock, Fred A., Professorship in Environmental Physiology Fund . . . . .	415
Hoechst-Roussel Pharmaceuticals, Inc., Summerville, New Jersey . . . . .	439
Hoffman, Charles, Company (The), Mansfield, Ohio . . . . .	444
Hoffman-LaRoche, Inc., Nutley, New Jersey . . . . .	342
Home Economics Education, Department of . . . . .	397
Home Economics, School of . . . . .	397
Home Management and Housing, Department of . . . . .	397
Honorary Degrees . . . . .	56, 461, 473
Houston, Janet French, Estate, Newark, New Jersey . . . . .	228
Howard, Jess, Electric Co. . . . .	233, 422, 447, 499, 502, 503, 626
Hull-McNutt Contractors . . . . .	43
Human Nutrition and Food Management, Department of . . . . .	397



Huntington National Bank (The), Columbus, Ohio . . . . .	33, 618
Hurst, Kenneth D. and Edna F. (Purchase of Property) . . . . .	629

I

Iddings, Roscoe C., Benevolent Trust, Dayton, Ohio . . . . .	342
Illuminating Engineering Research Institute, New York, New York (Research Foundation Contracts/Grants) . . . . .	224, 265
Independence Hall . . . . .	326
Indian Affairs, Bureau of, Sacramento, California . . . . .	607
Insurance Committee . . . . .	2, 592
Insurance Committee, Report from . . . . .	45, 285, 350, 454, 455
Interior, Department of the, Washington, D. C. (Research Foundation Contract/Grant) . . . . .	135
Interior, Department of the, Washington, D. C. . . . .	151, 152, 194, 228, 341, 413
Interior, Department of the, Fish and Wildlife Service, Washington, D. C. . . . .	217, 259, 615
International Chimney Corporation, Buffalo, New York . . . . .	451
International Copper Research Association, Inc., New York, New York . . . . .	194
International Lead Zinc Research Organization, New York, New York (Research Foundation Contract/Grant) . . . . .	193
International Nickel Company of Canada, Limited (The), New York, New York . . . . .	153
International Research and Exchanges Board, New York, New York . . . . .	229
Inter-University Council . . . . .	592
Investment Counseling . . . . .	633
Ives Hall, East Wing--Exterior Masonry Repair . . . . .	278, 452

J

Jackson County Area Extension Center . . . . .	42, 166
Jennings, Martha Holden, Foundation, Cleveland, Ohio (Research Foundation Contract/Grant) . . . . .	412
Johnson Controls, Inc. . . . .	500
Johnson, Frances M. (Mrs.) (Gift) . . . . .	196
Johnson Sheet Metal Shop . . . . .	159
Johnson, Sherman, & Frances Battles Johnson Fund . . . . .	196
Johnson-Stipher, Inc., Cleveland, Ohio . . . . .	498
Jones-Stuckey, Ltd. . . . .	41
Jones Tower . . . . .	57, 401
Joyce, Glenna R., Testamentary Trust, Columbus, Ohio . . . . .	229
Junior League Fund of The Columbus Foundation, Columbus, Ohio . . . . .	618
Justus, Henry A., Inc. . . . .	446

K

Kelley, Raymond E., Inc., Bowmansville, New York . . . . .	452, 626
Kellogg, W. K., Foundation, Battle Creek, Michigan . . . . .	434
Kepler, Robert H., Club House . . . . .	596
Kewaunee Technical Furniture, Statesville, North Carolina . . . . .	444, 498
Keystone Steel and Wire, Peoria, Illinois . . . . .	266
Kimberly, Charles H., Trusts, New York, New York . . . . .	152
Kimberly-Clark Corporation, Neenah, Wisconsin . . . . .	341

King, Don, Construction, Jackson, Ohio . . . . .	42
Kinsey, Wilhelmina S. (Mrs.) (Gifts) . . . . .	343, 416
Kiplinger Foundation, Inc. (The), Washington, D. C. . . . .	414
Kohli, B. F., Inc., Lima, Ohio . . . . .	498
Kokosing Construction Company, Fredericktown, Ohio . . . . .	420, 448, 449
Kraus, Alice N. (Mrs.), Delaware, Ohio (Gift) . . . . .	618
Kress, Samuel H., Foundation, New York, New York . . . . .	229
Kurtz, Helen C., Chair in Radiology . . . . .	206, 618
Kurtz, Ralph W., Chair in Endocrinology . . . . .	206, 618
Kurtz, Ralph W. (Mr. and Mrs.), Tampa, Florida (Gifts). . . . .	154, 276, 415, 618

L

Labor, Department of, Manpower Administration, Washington, D. C. (Research Foundation Contract/Grant) . . . . .	261
Labor and Human Resources, Academic Faculty of . . . . .	247, 255
Labor, U. S. Department of, Bureau of International Labor Affairs, Washington, D. C. . . . .	259
Labor, U. S. Department of, Manpower Administration, Washington, D. C. (Research Foundation Contract/Grant) . . . . .	484
Labor, U. S. Department of, Office of Administrative Services, Washington, D. C. . . . .	258
Landscape Architecture, Department of . . . . .	397
Lane Manor, 330 West Lane Avenue . . . . .	402
Lauterbach, Leo (Architectural Firm) . . . . .	280
Lazarus, F. & R., & Company (The), Columbus, Ohio . . . . .	440
Lease, Supplement to . . . . .	44
Leases . . . . .	164, 165, 166, 235, 349, 629
Legg & Davis Construction Co. . . . .	628
Leukemia Society of America, New York, New York (Research Foundation Contract/Grant) . . . . .	150
Leukemia Society of America, Inc., New York, New York . . . . .	127
Licking-Delaware Manpower Consortium (The), Licking County, Ohio . . . . .	483
Lilly, Eli, and Company, Indianapolis, Indiana . . . . .	139, 153, 415, 440
Lilly Endowment, Inc., Indianapolis, Indiana . . . . .	140, 617
Lilly Endowment, Inc., Indianapolis, Indiana (Research Foundation Contract/Grant) . . . . .	439
Lima Campus . . . . .	232, 347
Lima Campus, New Recreational Area . . . . .	422
Lima Campus, Phase IV . . . . .	45, 346, 497, 498, 631
Limbach Company . . . . .	422, 452, 493, 495
Lincoln Construction Co. . . . .	504, 624
Lincoln Tower Alterations . . . . .	417, 453, 504, 623, 626
Lincoln Tower Remodeling . . . . .	166
Lonz, George F., Foundation, Middle Bass, Ohio . . . . .	154
Lubrizol Foundation (The), Cleveland, Ohio . . . . .	229
Lumbermen's Mutual Casualty Co. . . . .	455
Lumbermen's Mutual Insurance Agency, Inc. . . . .	455
Luscombe, John (Architect) . . . . .	201
Lybrand Foundation, New York, New York . . . . .	440

M

Madias Bros., Inc., Detroit, Michigan . . . . .	282
---	-----

Madison Public Schools, Madison, Wisconsin . . . . .	183
Mahoning County Area Extension Center . . . . .	160, 199
Main Library Addition . . . . .	280, 447, 448, 508
Managerial Group to Act for and on Behalf of The Ohio State University . . . . .	597
Mansfield Asphalt Company, Mansfield, Ohio . . . . .	233
Mansfield Campus . . . . .	453
Mansfield Campus, Phase IV . . . . .	279, 443, 444, 508, 631
Mansfield Campus--Recreational Facility . . . . .	233
Mansfield University Foundation, Mansfield, Ohio . . . . .	139
Marco, Salvatore Michael, Memorial Scholarship Fund . . . . .	141
Marion Campus, Phase II . . . . .	346, 448-450, 509, 631
Martin, Bert W., Chair in Agricultural Sciences . . . . .	155
Martin, Bert W., Fund . . . . .	155
Martin Marietta Corporation, Denver, Colorado (Research Foundation Contract/Grant) . . . . .	193
Masonry Repairs--Exterior, 1975 . . . . .	419, 503, 626
Master of City Planning . . . . .	327
Master of City and Regional Planning . . . . .	327
Mayer, Bruce A., Scholarship Fund (The) . . . . .	140
Mayer, Martha H., Estate of . . . . .	140
McCoy, James R., Scholarship Fund (The) . . . . .	155
McCracken Power Plant, Masonry Repairs to Stacks . . . . .	278, 451
McDonald's University Services, Inc. . . . .	165
McGraw, Max, Wildlife Foundation, Dundee, Illinois (Research Foundation Contracts/Grants) . . . . .	439, 488
McGregor Fund, Detroit, Michigan . . . . .	153
McKown Electric Company . . . . .	43
Means Hall--Renovation to Elevators . . . . .	281
Means Hall--Renovation of Second Floor East . . . . .	347
Mechanical Engineering Sustaining Board Scholarship Fund . . . . .	35
Medical Affairs, Office of . . . . .	7
Medicine, College of, Dean's Administrative Seminar Fund . . . . .	490
Merck Company Foundation (The), Rahway, New Jersey . . . . .	22
Merrill-National Laboratories, Division of Richardson-Merrill, Inc., Cincinnati, Ohio . . . . .	153
Messer, Frank, & Son, Cincinnati, Ohio . . . . .	447
Metropolitan Public Schools, Nashville-Davidson County, Nashville, Tennessee . . . . .	483
Meyer, E. J., Corporation, Ottawa, Ohio . . . . .	422
Michigan State University, Research and Contract Administration, East Lansing, Michigan . . . . .	183
Mid-City Electric . . . . .	501
Milwaukee Public Schools, Milwaukee, Wisconsin . . . . .	183
Modern Language Association of America, University of South Carolina, Columbia, South Carolina (Research Foundation Contract/Grant) . . . . .	150
Moffitt, Melvin E., Estate of, San Antonio, Texas . . . . .	152, 342
Montgomery County Public Schools, Office of the Superintendent of Schools, Rockville, Maryland . . . . .	260
Moor, George H., & Sons . . . . .	451
Moore's Demonstration Farm, Ashland County, Ohio . . . . .	158, 233
Morris Animal Foundation, Denver, Colorado (Research Foundation Contract/Grant) . . . . .	150
Morris, Philip, N.S.A. Research Center, Richmond, Virginia (Research Foundation Contract/Grant) . . . . .	340

Morris Sheet Metal, Inc. . . . .	446
Morrison Tower . . . . .	57, 401
Motor Vehicle, Traffic, and Parking Regulations . . . . .	114
Moxley, John F., Medina, Ohio (Gift) . . . . .	341
Muetzel Plumbing and Heating Co. . . . .	502, 504, 624
Multi Resource Centers, Inc., Minneapolis, Minnesota . . . . .	609
Muscular Dystrophy Association of America, New York, New York. . . . .	266
Mutual of Omaha . . . . .	350

N

NABISCO, Inc., New York, New York . . . . .	228
Name and Seal . . . . .	113
Named Chairs . . . . .	114, 206
Naming of Athletic Facility . . . . .	327
Naming of Buildings . . . . .	206, 326, 398, 596
Naming of Street . . . . .	327
National Aeronautics and Space Administration, Washington, D. C. . . . .	15, 142
National Aeronautics and Space Administration, Washington, D. C. (Research Foundation Contract/Grant) . . . . .	130
National Aeronautics and Space Administration, Ames Research Center, Moffett Field, California . . . . .	263
National Aeronautics and Space Administration, Goddard Space Flight Center, Greenbelt, Maryland (Research Foundation Contracts/Grants) 25, 132, 220, 223, 613	613
National Aeronautics and Space Administration, Langley Research Center, Hampton, Virginia (Research Foundation Contracts/Grants) . . . . .	147, 262
National Aeronautics and Space Administration, Lewis Research Center, Cleveland, Ohio (Research Foundation Contract/Grant) . . . . .	134
National Aeronautics and Space Administration, Marshall Space Flight Center, Alabama (Research Foundation Contract/Grant) . . . . .	408
National Aeronautics and Space Administration, Moffett Field, California (Research Foundation Contract/Grant) . . . . .	135
National Aeronautics and Space Administration, Wallops Flight Center, Wallops Island, Virginia (Research Foundation Contract/Grant) . . . . .	485
National Aeronautics and Space Administration, Wallops Station, Wallops Island, Virginia (Research Foundation Contract/Grant) . . . . .	27
National Endowment for the Humanities, Washington, D. C. (Research Foundation Contracts/Grants) . . . . .	129, 135, 436, 485, 613
National Endowment for the Humanities, Division of Research Grants, Washington, D. C. (Research Foundation Contract/Grant) . . . . .	186
National Fund for Medical Education, New York, New York . . . . .	22
National Geographic Society, Washington, D. C. (Research Foundation Contract/Grant) . . . . .	412
National Joint Painting, Decorating and Drywall Apprenticeship and Training Committee, Washington, D. C. . . . .	405
National Machinery Foundation, Inc., Tiffin, Ohio . . . . .	230
National Science Foundation, Washington, D. C. 18, 123, 125, 180, 258, 405, 434, 482, 608	608
National Science Foundation, Washington, D. C. (Research Foundation Contracts/Grants) . . . . .	23-29, 128-136, 184-186, 188, 220-223, 261-264, 272-274, 337-339, 408-410, 435, 484, 486, 610-615
National Training Fund of the Sheet Metal and Air Conditioning Industry, Washington, D. C. . . . .	336

Nationwide Mutual Insurance Company, Columbus, Ohio . . . . .	341
Navy, Department of the, Naval Air Development Center, Warminster, Pennsylvania (Research Foundation Contract/Grant) . . . . .	146
Navy, Department of the, Naval Regional Procurement Office, Long Beach, California (Research Foundation Contract/Grant) . . . . .	337
Navy, Department of the, Naval Regional Procurement Office, Newport, Rhode Island (Research Foundation Contract/Grant) . . . . .	435
Navy, Department of the, Naval Systems Command, Washington, D. C. (Research Foundation Contract/Grant) . . . . .	261
Navy, Department of the, Naval Underwater Systems Center, Newport, Rhode Island (Research Foundation Contract/Grant) . . . . .	264
Navy, Department of the, Office of Naval Research, Arlington, Virginia (Research Foundation Contracts/Grants) 26, 133, 147, 185, 187, 338, 406, 408-411, 437, 484, 485	
Neil Hall . . . . .	58, 401
Neilwood Gables, 2080 Neil Avenue . . . . .	402
Newark Asphalt Paving . . . . .	43
Newark Campus . . . . .	44
Newark Campus--New Parking Facility . . . . .	43
Newark Campus, Phase II . . . . .	232, 420, 421, 454
Newark OSU Development Fund, Newark, Ohio . . . . .	230
Nobel Prize Recipient . . . . .	236
North American Van Lines, Inc., Fort Wayne, Indiana . . . . .	140
North Campus Apartments . . . . .	402

O

OARDC Agenda Review Committee . . . . .	2
Ohio Bell Telephone Company . . . . .	348
Ohio Board of Regents . . . . .	259, 454, 608, 609
Ohio Contractors Association, Columbus, Ohio . . . . .	195
Ohio Development Center, Columbus, Ohio (Engineering Experiment Station Contract) . . . . .	617
Ohio Development Center, Columbus, Ohio (Research Foundation Contracts/ Grants) . . . . .	486, 616
Ohio Educational Television Network Commission (The) . . . . .	349
Ohio Electric Utility Institute (The), Columbus, Ohio . . . . .	229, 414, 618
Ohio Florists Association, Columbus, Ohio . . . . .	154, 415, 440
Ohio Lions Eye Research Foundation, Springfield, Ohio . . . . .	276
Ohio National Bank (The), Columbus, Ohio . . . . .	33
Ohio National Bank Fund of The Columbus Foundation (The), Columbus, Ohio . . . . .	618
Ohio Power Company . . . . .	44
Ohio Program in the Humanities, Columbus, Ohio (Research Foundation Contract/Grant) . . . . .	487
Ohio Stadium Repairs - 1975 . . . . .	491
Ohio - State of, Board of Regents, Columbus, Ohio . . . . .	259, 454, 608, 609
Ohio - State of, Department of Administrative Services, Division of Personnel, Bureau of Intergovernmental Personnel and Training, Columbus, Ohio . . . . .	21
Ohio - State of, Department of Commerce, Division of Real Estate (Ohio Real Estate Commission), Columbus, Ohio (Research Foundation Contract/Grant) . . . . .	136

Ohio - State of, Department of Economic and Community Development, Columbus, Ohio . . . . .	21, 143
Ohio - State of, Department of Economic and Community Development, Columbus, Ohio (Engineering Experiment Station Contract) . . . . .	439
Ohio - State of, Department of Economic and Community Development, Columbus, Ohio (Research Foundation Contracts/Grants) . . . . .	149, 412
Ohio - State of, Department of Economic and Community Development, Administration of Justice Division, Columbus, Ohio (Research Foundation Contracts/Grants) . . . . .	136, 137, 265, 438
Ohio - State of, Department of Economic and Community Development/ Manpower, Columbus, Ohio (Research Foundation Contracts/Grants) . . . . .	412
Ohio - State of, Department of Education, Columbus, Ohio . . . . .	260, 609
Ohio - State of, Department of Education, Division of Special Education, Worthington, Ohio . . . . .	271
Ohio - State of, Department of Education, Division of Vocational Education, Columbus, Ohio . . . . .	21, 126, 143, 181, 182, 271
Ohio - State of, Department of Education, Drug/Health Educational Unit, Columbus, Ohio . . . . .	260
Ohio - State of, Department of Health, Columbus, Ohio . . . . .	21, 127, 142, 143, 259, 336, 405
Ohio - State of, Department of Health, Columbus, Ohio (Research Foundation Contracts/Grants) . . . . .	137, 224, 616
Ohio - State of, Department of Health and Mental Retardation, Columbus, Ohio (Research Foundation Contracts/Grants) . . . . .	438
Ohio - State of, Department of Highways, Columbus, Ohio . . . . .	138, 341
Ohio - State of, Department of Mental Health and Mental Retardation, Columbus, Ohio . . . . .	127, 505
Ohio - State of, Department of Mental Health and Mental Retardation, Columbus, Ohio (Research Foundation Contracts/Grants) . . . . .	149, 150
Ohio - State of, Department of Mental Health and Mental Retardation, Division of Forensic Psychology, Columbus, Ohio . . . . .	127
Ohio - State of, Department of Mental Health and Mental Retardation, Division of Management Services, Columbus, Ohio . . . . .	181, 218
Ohio - State of, Department of Mental Health and Mental Retardation, Division of Mental Health, Columbus, Ohio . . . . .	405
Ohio - State of, Department of Mental Health and Mental Retardation, Division of Mental Retardation and Developmental Disabilities, Columbus, Ohio . . . . .	181, 182, 434
Ohio - State of, Department of Mental Health and Mental Retardation, Division of Mental Retardation and Developmental Disabilities, Office of Developmental Disabilities, Columbus, Ohio . . . . .	259
Ohio - State of, Department of Natural Resources, Columbus, Ohio . . . . .	21, 271, 336
Ohio - State of, Department of Natural Resources, Division of Wildlife, Columbus, Ohio . . . . .	127
Ohio - State of, Department of Rehabilitation and Correction, Columbus, Ohio (Research Foundation Contracts/Grants) . . . . .	31, 189, 190
Ohio - State of, Department of Rehabilitation and Correction, Adult Parole Authority, Columbus, Ohio (Research Foundation Contract/ Grant) . . . . .	190
Ohio - State of, Department of Rehabilitation and Correction, Correctional Medical Center, Columbus, Ohio . . . . .	182
Ohio - State of, Department of Transportation, Columbus, Ohio (Engineering Experiment Station Contracts) . . . . .	152, 228, 266, 617

Ohio - State of, Ohio Arts Council, Columbus, Ohio (Research Foundation Contract/Grant)	412
Ohio - State of, Ohio Board of Regents, Columbus, Ohio . . . . .	259, 454, 608, 609
Ohio - State of, Ohio Real Estate Commission, Columbus, Ohio . . . . .	609
Ohio - State of, Rehabilitation Services Commission, Columbus, Ohio . . . . .	181, 182
Ohio State University (The) . . . . .	505
Ohio State University Development Fund (The)	2, 119, 167, 214, 322, 334, 480, 592
Ohio State University Hospitals (The) . . . . .	454
Ohio State University (The) - Office of Physical Facilities, Columbus, Ohio . . . . .	413, 414
Ohio State University Research Foundation (The) . . . . .	118, 213, 333, 479
Ohio Turfgrass Foundation, Bowling Green, Ohio . . . . .	154
Ohio Turfgrass Foundation, Columbus, Ohio . . . . .	139
Ohio Union . . . . .	166
Ohio Valley Health Services Foundation, Inc. (The), Athens, Ohio (Research Foundation Contracts/Grants)	137, 339
Ohio Youth Commission (The), Columbus, Ohio (Research Foundation Contract/Grant)	616
Olentangy Expressway . . . . .	237-239
Ophthalmic Plastic Surgery Fund . . . . .	621
Otis Elevator Co. . . . .	502
Owens Illinois, Toledo, Ohio . . . . .	488

P

Page Hall--Interior Repairs to Room 200 . . . . .	231, 282
Page Southerland Page . . . . .	197
Palmer, Charles C., Estate of . . . . .	489, 618
Palmer, Charles C., Fund in Veterinary Medicine (The) . . . . .	489
Parking Lot Renovation--Eleventh and Worthington Avenues	159
Patrick, Allen L., Columbus, Ohio (Gift) . . . . .	343
Patton, John B., Columbus, Ohio (Gift) . . . . .	342
Payt Construction Company . . . . .	445, 496
Pence Electric Co. . . . .	159
Penney, J. C., Company, Inc., New York, New York . . . . .	434
Pennsylvania Separator Company, Brookville, Pennsylvania . . . . .	414
Personal Property Policy . . . . .	454
Peterson Construction Co., Wapakoneta, Ohio . . . . .	497
Petroleum Research Fund (The), American Chemical Society, Washington, D. C. (Research Foundation Contract/Grant)	266
Pfizer, Inc., New York, New York . . . . .	33
Phi Beta Psi Charity Trust Fund, Muncie, Indiana . . . . .	195
Philadelphia, School District of, Philadelphia, Pennsylvania . . . . .	434, 609
Physical Education Building . . . . .	166
Physical Education Building--Improvements (Phase I - Floor)	162
Physically Impaired, Office for The, Establishment of . . . . .	207
Pitman-Moore, Inc., Washington Crossing, New Jersey . . . . .	154, 440
Plans and Specifications . . . . .	157, 158, 231, 232, 278, 279, 280, 281, 346, 347, 417, 418, 419, 442, 491, 492, 622
Polo Field Parking Lot Expansion . . . . .	492
Polo Field--Parking Lot Renovation . . . . .	282

Polster, Louis . . . . .	494
Pomerene Hall--Interior Painting . . . . .	231, 282
Porthouse, C. R., Charitable Trust, Kent, Ohio . . . . .	229, 342
Power of Attorney - Customs . . . . .	284
PPG Industries and Columbus and Southern Ohio Electric Company, Columbus, Ohio . . . . .	617
PPG Industries Foundation, Pittsburgh, Pennsylvania . . . . .	414
President, Office of . . . . .	115
Pressey, Alice B., Trust Under the Account of, Columbus, Ohio . . . . .	440
Pressey, Sidney (Dr.), Columbus, Ohio (Gift) . . . . .	229
Procter and Gamble Company (The), Cincinnati, Ohio . . . . .	33, 139, 154
Procter and Gamble Company, Cincinnati, Ohio (Research Foundation Contracts/Grants) . . . . .	150, 190
Property, Sale of . . . . .	632
Public Officials Bond . . . . .	455
Public Utilities Commission of Ohio, Columbus, Ohio . . . . .	617
Public Welfare Foundation, Inc., Washington, D. C. . . . .	140
Purchasing Department - Bids Received . . . . .	198, 233
Purchasing Department - Request for Bids . . . . .	158

R

Rachelwood Wildlife Research Preserve, Pittsburgh, Pennsylvania (Research Foundation Contract/Grant) . . . . .	340
Recreation, Physical Education, Intramural Facilities . . . . .	631
Recreation, Physical Education, Intramural Facilities - Central Facility . . . . .	418, 495
Recreation, Physical Education, Intramural Facilities - Dispersed Facilities . . . . .	347, 445, 496, 497, 508
Reeb, R. H., Plumbing and Piping Co. . . . .	233
Reese, Everett, Fund of The Columbus Foundation (The), Columbus, Ohio . . . . .	342
Refractories Institute (The), Pittsburgh, Pennsylvania . . . . .	195, 414, 415
Report on the University's Investment Portfolio . . . . .	46, 60, 171, 203, 240, 286, 356, 423, 455, 509, 633
Request for Bids Through The Ohio State University Purchasing Department . . . . .	158
Research Corporation, New York, New York (Research Foundation Contracts/Grants) . . . . .	138, 275, 487
Research Foundation Board of Directors . . . . .	2, 592
Research Foundation of State University of New York, New York State Sea Grant Programs, Albany, New York (Research Foundation Contract/Grant) . . . . .	150
Residence and Dining Halls . . . . .	57, 58, 398, 400
Retirement and Insurance Committee . . . . .	592
Rhode Island, State of, and Providence Plantations, Department of Administration, Providence, Rhode Island . . . . .	260
Richards, William J., Circleville, Ohio (Gift) . . . . .	343
Rockefeller Foundation (The), New York, New York . . . . .	267
Roessler, Anna, Trust Under the Will of, Columbus, Ohio . . . . .	33, 618
Ross, Ed, Construction Co. . . . .	159, 162, 501, 628
Ross, Richard M., Columbus, Ohio (Gift) . . . . .	342
Roth Bros. Cooling & Heating, Inc., Youngstown, Ohio . . . . .	161
Royer Commons, Remodeling (Phase I) . . . . .	157, 451
Rules for the University Faculty . . . . .	9, 248, 249, 253, 398, 430, 460, 461
Runyan, Damon, Memorial Fund, New York, New York (Research Foundation Contract/Grant) . . . . .	275



## S

Saint Stephen's Episcopal Church, Columbus, Ohio . . . . .	283
Salaries . . . . .	50, 353
Salinas Union High School District, Salinas, California . . . . .	218
Samborn, Steketee, Otis and Evans, Inc. . . . .	201
Sandoz-Wander, Inc., East Hanover, New Jersey (Research Foundation Contracts/Grants) . . . . .	439, 487
Saslaw, Samuel, Endowment Fund (The) . . . . .	441
Sayre Charitable Fund of The Columbus Foundation, Columbus, Ohio . . . . .	619
Schering Corporation, Bloomfield, New Jersey . . . . .	276
Schering Corporation, Animal Health Division, Kenilworth, New Jersey . . . . .	31
School Management Institute, Inc., Worthington, Ohio . . . . .	22
Scott, Louise Orr, Foundation (The), Columbus, Ohio . . . . .	153, 267, 414, 489
Scott, Zillah M., Estate of, Marysville, Ohio . . . . .	153
Seal, University . . . . .	113
Sears-Roebuck Foundation, Chicago, Illinois . . . . .	434
Security Clearance, Exemption from . . . . .	597
Setterlin, Robert, & Sons Co. . . . .	163, 421
Shakey's Pizza . . . . .	165
Shell Companies Foundation, Houston, Texas . . . . .	267
Sick Leave Policy, Amendment to . . . . .	9
Sickles, Blaine T., President, South Hall, Inc. (Purchase of Property) . . . . .	235
Sills, Philip, New York, New York (Gifts-in-Kind) . . . . .	268, 277
Siskiyou, County of, Lot No. 146 in McCloud Subdivision, Unit No. 1 - McCloud, California . . . . .	632
Skilken, Joseph & Helen, Foundation (The), Columbus, Ohio . . . . .	343
Slaymaker-Kinsey Memorial Scholarship Trust Fund (The) . . . . .	416
Sleight, Norman . . . . .	423
Small Business Administration, Washington, D. C. . . . .	217
Smith, Dorothy Kuder and Floyd F., Silver Spring, Maryland (Gift) . . . . .	344
Smith, Dorothy Kuder and Floyd F., Scholarship Fund in Floriculture and Entomology (The) . . . . .	344
South Central Power Company . . . . .	234
Southeast Ohio Area Extension Center . . . . .	398
Southgate Shopping Center Corporation, Newark, Ohio . . . . .	154
South Hall, Inc., Blaine T. Sickles, President . . . . .	235
Speer, Julian, Company . . . . .	445, 496, 497, 628
Stadium Dormitories . . . . .	57, 401
Starling Loving Hall--Remodeling for the College of Optometry . . . . .	232, 446, 447, 509
State Automobile Mutual Insurance Company, Columbus, Ohio . . . . .	440
State Department of, Agency for International Development, Washington, D. C. . . . .	258
State Department of, Agency for International Development, Washington, D. C. (Research Foundation Contract/Grant) . . . . .	407
Staten Electric Co. . . . .	163
Steel Founders' Society of America, Rocky River, Ohio . . . . .	616
Stephenson, Edward C. and Hazel L., Foundation, Grosse Pointe Woods, Michigan . . . . .	341
Stephenson, Edward C. and Hazel L., Fund (The) . . . . .	441
Stephenson, Hazel L., Estate of . . . . .	441
Sterling-Winthrop Research Institute, Rensselaer, New York . . . . .	154
Stockmeister, A. J., Jackson, Ohio . . . . .	42
Stoff, Carol . . . . .	356, 394

Straumann, Fritz, Waldenburg, Switzerland (Gifts)	33, 154
Strawser Paving Co., Inc.	162
SUMMA Foundation, Albuquerque, New Mexico	32

T

Tennis Courts--New Locations	162
Textiles and Clothing, Department of	397
Toledo Edison Company (The), Toledo, Ohio	265, 439
Toops, Herbert A. (The), Prize for Creativity	343
Traffic Improvements	41, 199, 280, 499, 630
Traffic and Parking Regulations - The Ohio State University	114
Transfer of Earned Indirect Costs	36
Transfer of Land	349
Transfers to Plant Funds	40
Transportation, Department of, Washington, D. C. (Research Foundation Contracts/Grants)	128, 146
Transportation, Department of, Federal Aviation Administration, Washington, D. C. (Research Foundation Contract/Grant)	147
Transportation, Department of, Federal Highway Administration, Washington, D. C. (Research Foundation Contracts/Grants)	131, 188, 219, 337, 407, 438, 484, 610
Transportation, Department of, National Highway Traffic Safety Administration, Office of Contracts and Procurement, Washington, D. C.	17
Transportation, Department of, Urban Mass Transit Administration, Washington, D. C. (Research Foundation Contracts/Grants)	185-187
Travel Accident Policy	45
Tunnel Repairs, North Central Campus	419, 623
Tunnel Repairs and Sidewalk Extension - Oval	442, 628

U

Undergraduate Residence Halls	57, 401
Union Carbide Corporation, New York, New York	440
Union Carbide Corporation, Tarrytown, New York (Research Foundation Contract/Grant)	31
Union Carbide Corporation, Nuclear Division, Oak Ridge, Tennessee (Research Foundation Contract/Grant)	340
Union Carbide Corporation, Tarrytown Technical Center, Tarrytown, New York (Research Foundation Contract/Grant)	193
United Fund of Central Stark County, Canton, Ohio	154
United McGill Corporation, Westerville, Ohio	138
U. S. Atomic Energy Commission, Argonne, Illinois (Research Foundation Contracts/Grants)	28, 29, 131, 135, 263, 272, 273, 406, 408, 409
U. S. Atomic Energy Commission, Research and Technical Support Division, Oak Ridge Operations, Oak Ridge, Tennessee	20
U. S. Civil Service Commission, Washington, D. C. (Research Foundation Contracts/Grants)	149, 411, 437, 438, 485, 486, 615
U. S. Civil Service Commission, Atlanta Region, Atlanta, Georgia (Research Foundation Contract/Grant)	488
U. S. Civil Service Commission, Denver Regional Training Center, Denver, Colorado (Research Foundation Contract/Grant)	615

U. S. Department of the Interior, Fish and Wildlife Service, Washington, D. C. . . . .	217
U. S. Department of Justice, Law Enforcement Assistance Administration, Washington, D. C. . . . .	336, 483
United States Energy Research and Development Administration, Argonne, Illinois (Research Foundation Contract/Grant) . . . . .	435
United States Fire Insurance Company . . . . .	454
United States Trotting Association, Columbus, Ohio (Research Foundation Contracts/Grants) . . . . .	31, 487
United Way of Central Stark County, Canton, Ohio (Research Foundation Contract/Grant) . . . . .	487
University Activities Center . . . . .	33, 139, 195, 199, 201, 229, 276, 341, 342, 440, 618
University Airport . . . . .	44, 234, 630
University of Alaska, Tundra Biome Center, College, Alaska . . . . .	191
University Budget . . . . .	206, 327, 473, 596
University of Dayton, Research Institute, Dayton, Ohio . . . . .	616
University Development, Vice President for . . . . .	115
University Energy Conservation Coordinating Committee - Report to the Faculty, Staff and Students . . . . .	351
University Hospital, Air Conditioning Improvement . . . . .	279, 452, 453
University Hospital, Intensive Care Unit Alterations . . . . .	279, 421, 422
University Hospitals . . . . .	59
University of Pittsburgh, Pittsburgh, Pennsylvania . . . . .	227, 413
University's Name and Seal . . . . .	113
Upjohn Company (The), Kalamazoo, Michigan . . . . .	276
Utility Tunnel, Structural Repairs (19th Avenue to Haskett Hall) . . . . .	281, 451

V

Vacation of Alley - City of Columbus Ordinance No. 1768-74 . . . . .	283
Veterans Administration, Washington, D. C. . . . .	164
Veterinary Hospital--Connecting Road . . . . .	198
Vice President for Health Sciences . . . . .	8, 9
Vice President for Public Affairs . . . . .	253
Vice President for University Development . . . . .	115
Vivian Hall Partial Remodeling . . . . .	162, 163, 199

W

Walker, Dow, Trust, St. Petersburg, Florida . . . . .	139
Wallace Builders, New Bedford, Pennsylvania . . . . .	160
Waller & Lund, Inc. . . . .	162, 281
Warren-Teed Pharmaceuticals, Inc., Columbus, Ohio . . . . .	230
Washburn, Grace High, Trust (The), Bucyrus, Ohio . . . . .	229, 415
Watts Hall--Masonry Repair . . . . .	43
Watts Hall, Repairs and Modifications to Ventilation Systems . . . . .	442, 628
Waynco Electric Company, Mineral Ridge, Ohio . . . . .	161
Wayne County Agriculture Society, Wayne County Fairgrounds . . . . .	235, 629
Wayne County Fairgrounds, Wayne County Agriculture Society . . . . .	235
Weisberg, Gerald, D. D. S., Hamilton, Ohio (Gift) . . . . .	345
Weisberg, Gerald, Scholarship Fund (The) . . . . .	345
Weithman and Sons, Contractors, Galion, Ohio . . . . .	443

Werner, Edward A., Maintenance, Inc. . . . .	452
West End Electric Company, Inc., Portsmouth, Ohio . . . . .	42
Western Electric Company, Columbus, Ohio . . . . .	619
Westland Mechanical Corporation . . . . .	446
Westreco, Incorporated, Marysville, Ohio . . . . .	194
West Virginia, State of, Department of Education, Charleston, West Virginia . . . . .	22
Wherley, Harold (Dr. and Mrs.) (Purchase of Property) . . . . .	629
Wildermuth, E. F., Foundation (The), Columbus, Ohio . . . . .	267
Williams, Kirk, Co., Grove City, Ohio . . . . .	504, 624
Winter, Chester C., M.D., Worthington, Ohio (Gift) . . . . .	343
Wirthwein, Herman, Tennis Facility . . . . .	327
Wise, Henry A., II, M.D., Columbus, Ohio (Gift) . . . . .	343
Wittwer, Pauline C., Columbus, Ohio (Gift) . . . . .	417
Wittwer, Pauline C., Graduate Fellowship in Dentistry . . . . .	417
World Health Organization, Geneva, Switzerland . . . . .	260, 406
World Health Organization, Geneva, Switzerland (Research Foundation Contracts/Grants) . . . . .	137, 150, 227, 340
WTVN-TV . . . . .	45

Y

Yassenoff Foundation, Inc., (The), Columbus, Ohio . . . . .	139, 154
Young, M. A., Foundation, Youngstown, Ohio . . . . .	277

Z

Zarbaugh & Assoc., Inc. . . . .	282
Zuck, Emerson S., Trust, Orlando, Florida . . . . .	139, 153, 194, 267

RECORD OF PROCEEDINGS  
OF THE  
BOARD OF TRUSTEES  
OF THE  
OHIO STATE UNIVERSITY

COLUMBUS

July 1, 1975 to June 30, 1976

Blank Page

1975-76

THE OHIO STATE UNIVERSITY

HAROLD L. ENARSON, *President*

BOARD OF TRUSTEES

	<i>Term Beginning</i>	<i>Term Expiring</i>
*WILLIAM C. SAFFORD, Cincinnati	May 14, 1967	May 13, 1976
JOHN H. DUNLAP, Williamsport	May 14, 1968	May 13, 1977
M. MERLE HARROD, Wapakoneta	September 2, 1969	May 13, 1978
JOHN L. GUSHMAN, Lancaster	December 11, 1970	May 13, 1979
HOWARD D. SIRAK, Columbus	May 19, 1971	May 13, 1980
PATRICIA D. JAMES, Cleveland	July 18, 1972	May 13, 1981
CHESTER DEVENOW, Toledo	May 14, 1973	May 13, 1982
WARREN J SMITH, Columbus	January 6, 1975	May 13, 1983
JOHN D. JACOB, Worthington	May 14, 1975	May 13, 1984
DONALD J. HILLIKER, Bellefontaine	September 23, 1975	May 13, 1976

OFFICERS

JOHN H. DUNLAP, *Chairman*  
M. MERLE HARROD, *Vice Chairman*  
EDWARD Q. MOULTON, *Secretary*  
ERNEST W. LEGGETT, *Treasurer*

\* Resigned September 22, 1975, to accept appointment to Ohio Board of Regents

Blank Page



THE OHIO STATE UNIVERSITY  
OFFICIAL PROCEEDINGS OF THE  
ONE THOUSAND ONE HUNDRED AND NINTH MEETING  
OF THE BOARD OF TRUSTEES

Columbus, Ohio, July 11, 1975

The Board of Trustees met at its regular monthly meeting on Friday, July 11, 1975, at The Ohio State University Fawcett Center for Tomorrow, Columbus, Ohio, pursuant to adjournment.

Present: John H. Dunlap, Chairman, William C. Safford, M. Merle Harrod, John L. Gushman, Howard D. Sirak, Patricia D. James, Chester Devenow, Warren J Smith, and John D. Jacob.

\* \* \*

Minutes of the last meeting were approved.

\* \* \*

The Chairman, Mr. Dunlap, introduced the new member of the Board of Trustees of The Ohio State University:

John D. Jacob, Columbus, Ohio, who was appointed by Governor James A. Rhodes to succeed Don M. Hilliker, for term beginning May 14, 1975 and ending May 13, 1984.

July 11, 1975 meeting, Board of Trustees

Committee Appointments 1975-1976

Educational Affairs Committee

John D. Jacob

Development Fund Board of Directors

(One-year term)

John D. Jacob

Upon motion of Mr. Safford, seconded by Mr. Gushman, the Board of Trustees by voice vote approved the nomination to the Committee and the representative to the Development Fund Board of Directors.

- o -

RESOLUTION IN MEMORIAM

President Enarson reported to the Board the death of Milton O. Percival, Professor Emeritus in the Department of English. In accordance with the instructions of the Board of Trustees, a copy of the following resolution expressing on behalf of the University the sorrow and sympathy of the Board will be furnished the family of the deceased.

A. Milton O. Percival

The Board of Trustees of The Ohio State University expresses its sorrow at the death on June 14, 1975, of Milton O. Percival, Professor Emeritus in the Department of English.

Milton Ossian Percival was born in 1883. He took the B.A. degree in 1906, the M.A. in 1907, and the Ph.D. in 1914, all at Harvard University. After a year's study at Oxford University he accepted a position in 1915 at The Ohio State University as an Assistant Professor (having earlier held Instructorships at both Oberlin College and the University of Minnesota). In 1925 he was advanced directly to the full Professorship, a position he held until his retirement and advancement to the Emeritus Professorship in 1953. In recognition of his long and truly distinguished career, Milton O. Percival was in 1957 awarded the honorary degree--Doctor of Humane Letters--by The Ohio State University.

Dr. Percival was a distinguished man. His distinction was equally supported by his work as a scholar and his influence as a teacher.

As a scholar he was both an historian and a critic and interpreter of literature. His first major publication, an edition of the Political Ballads Illustrating the Administration of Sir Robert Walpole (Oxford, 1916), was primarily a contribution to the history of England in the Eighteenth Century. His other books, however, were works of interpretative criticism--and of major importance. William Blake's Circle of Destiny (Columbia University Press, 1938) was at

July 11, 1975 meeting, Board of Trustees

RESOLUTION IN MEMORIAM (continued)

A. Milton O. Percival (continued)

once a brilliant interpretation of a difficult poet and artist and an enormously erudite study in the philosophy of mysticism. It combined knowledge of the history of thought with literary sensitivity in a book of the kind that only a handful of scholars achieve in any generation. In 1950, he published A Reading of Moby Dick (Chicago University Press), in which he achieved a full, wise, and rich interpretation of what is probably America's greatest novel--and certainly one of its most difficult.

As a teacher in the English Department and as a member of the Department, Dr. Percival was one of the two major influences upon it in the period 1930-50. His acute mind, his drive toward excellence, his combination of idealism with practical scepticism, his steady and powerful backing of what was good, and his devotion to the best in public state education gave him an enormous influence. It was as profound within the University as his reputation as a scholar-critic had been outside. As a teacher in the classroom his work for thirty-eight years was quite simply superb. Ph. D. candidates and undergraduates alike received from him fine technics, discrimination and taste, great learning--and, what is more rare, wisdom.

On behalf of the University, the Board of Trustees expresses to the family its deep sympathy and sense of understanding in its loss. It was directed that this resolution be inscribed upon the minutes of the Board of Trustees and that a copy be tendered to the family as a humble expression of the Board's heartfelt sympathy in its bereavement.

\*

\*

\*

President Enarson presented the following recommendations:

I. GENERAL RECOMMENDATIONS

A. Proposed Budget for the 1975-1976 Fiscal Year and Proposed Changes in the Instructional and General Fees

President Enarson made the following statement:

Introduction

I need not remind the Board of the anxieties and uncertainties that attend the preparation of a biennial budget for an educational system as large and complex as The Ohio State University. Given the economy, and the State Government's differing assessments and responses to it, this biennial appropriation has been particularly uncertain and anxious for us.

Even so, despite the various constraints, the budget I present today is a sound budget. It is a balanced budget.

July 11, 1975 meeting, Board of Trustees

I. GENERAL RECOMMENDATIONS (continued)

A. Proposed Budget for the 1975-1976 Fiscal Year and Proposed Changes in the Instructional and General Fees (continued)

President Enarson's statement (continued)

I present today the current funds budget for the first year of the new biennium, 1975-1976, for your consideration and approval. Projected total expenditures for The Ohio State University during 1975-1976 are \$345 million, up \$30 million or 9.5 per cent from the expenditure level of \$315 million for the fiscal year just completed. Budgeted expenditures for the Columbus Campus and the Regional Campuses are:

	<u>1974-1975</u>	<u>1975-1976</u>	<u>Increase</u>
Columbus			
Campus	\$307,900,000	\$336,300,000	\$28,400,000 (9.2%)
Regional			
Campuses	<u>7,400,000</u>	<u>8,900,000</u>	<u>1,500,000</u> (20.3%)
Total	\$315,300,000	\$345,100,000	\$29,900,000 (9.5%)

The recommended total expenditure level of \$336,300,000 in 1975-1976 for the Columbus Campus is distributed among the five principal budgets as follows:

	<u>Budgeted Amount</u>	<u>Portion Total Budget</u>
1. Instructional and General Program	\$161,500,000	48%
Departmental Instruction and Research, Instructional Services, Library Services, Student Services, Plant Operation and Institutional Support		
2. Sponsored Research	26,600,000	8%
Federal, State and Private Contracts		
3. Public Service	94,200,000	28%
Cooperative Extension Service, Hospitals, Conferences		

July 11, 1975 meeting, Board of Trustees

I. GENERAL RECOMMENDATIONS (continued)

A. Proposed Budget for the 1975-1976 Fiscal Year and Proposed Changes in the Instructional and General Fees (continued)

President Enarson's statement (continued)

	<u>Budgeted Amount</u>	<u>Portion Total Budget</u>
4. Student Aid	\$ 9,400,000	3%
Scholarships, Fellowships, Private Gifts, Grants, Fee Remissions		
5. Auxiliary Services	44,600,000	13%
Housing, Bookstores, Parking, Athletics, Facility Services, Student Unions, Fawcett Center for Tomorrow, Facilities, Airport, Laundry		
Total	\$336,300,000	100%

Revenue estimates for 1975-1976 in support of the proposed Columbus Campus expenditure level of \$336,300,000 are: (a) State of Ohio - \$111.7 million, (b) Federal - \$42.3 million, (c) Instructional and General Fees - \$47.1 million, (d) Room and Board - \$13.4 million, (e) All Other Income (Auxiliary Sales and Charges, Departmental and University Services, Endowment, Gifts and Grants, Recovered Costs, Temporary Investments) - \$121,700,000.

A Summary of the 1975-1976 Instructional and General Program Budget

Since the accompanying documents describing the proposed budgets for The Ohio State University (1975-1976) are both lengthy and detailed, I am presenting first a summary of the budget for the Instructional and General Program, Columbus Campus. It is the key budget. It embodies all major budget decisions; it sets priorities for all University budgets. In this Instructional and General Budget, I wish to draw particular attention to our proposal to increase salaries 14 per cent given the following fiscal constraints: (a) A 9 per cent growth in unrestricted revenues, (b) a major increase in the cost of utilities and (c) the requirement that the new pay bill for civil service employees (on the Instructional and General Budget) be funded in its entirety from the instructional subsidy.

July 11, 1975 meeting, Board of Trustees

I. GENERAL RECOMMENDATIONS (continued)

A. Proposed Budget for the 1975-1976 Fiscal Year and Proposed Changes in the Instructional and General Fees (continued)

President Enarson's statement (continued)

New Revenues.

Unrestricted income for the Instructional and General Budget for 1975-1976 is estimated to be higher than last year by \$12.5 million (+9 per cent). Sources of the expected additional \$12.5 million are: (a) An increase of \$10.6 million (+13 per cent) in the instructional subsidy--up from \$81.7 million last year to an expected level of \$92.3 million this year, (b) a net increase of about \$1.4 million in fee revenues and (c) a net increase of about \$0.5 million in all other unrestricted revenues (primarily in the recovery of indirect costs).

New Expenditure Obligations.

Alongside this expected increase of \$12.5 million in unrestricted revenues, there are Instructional and General spending obligations imposed from the outside (the budget constraints summarized two paragraphs back) and proposed from the inside (the budget goals for faculty and staff salary improvements presented to the Board on February 7, 1975).

It is my recommendation that regular, continuing faculty and administrative and professional staff should receive an average salary increase of 14 per cent, with the floor on individual raises being 7 per cent. Civil service employees will receive raises estimated to be in the neighborhood of 12 per cent. (Their increments are set by the new State pay bill and reclassification plan.) The recommended salary and benefit improvements for all non-classified personnel (faculty, administrative and professional staff, specials and wages) will cost an estimated \$9.8 million on an annual-rate basis. All salary and benefit improvements for civil service employees to be made during the fiscal year 1975-1976 (step increases, the retirement rate increase and the pay bill) are estimated to cost about \$3.4 million on an annual-rate basis. Thus, the total cost (on an annual-rate basis) of the proposed improvements in compensation for the Instructional and General Program in 1975-1976 is estimated to be \$13.2 million.

Physical plant costs this year (beyond the cost of compensation improvements) will be approximately \$2 million higher than last year, mostly because of the projected increase in energy costs. For the budget proposal before you, it is assumed that actual plant costs will be met, even though--as you know--intensive efforts are underway to conserve the use of energy and to reduce these costs in all reasonable ways.

July 11, 1975 meeting, Board of Trustees

I. GENERAL RECOMMENDATIONS (continued)

A. Proposed Budget for the 1975-1976 Fiscal Year and Proposed Changes in the Instructional and General Fees (continued)

President Enarson's statement (continued)

The allocation in the proposed budget for books and periodicals, instructional equipment and office supplies and services (the latter including paper, telephone, postage, travel, printing) has been increased from last year by \$0.8 million (+4 per cent)--instead of the minimally needed increase of \$8 million to \$10 million to restore the purchasing power for these items to the level of just two years ago.

Lastly, all other new obligations in 1975-1976 for the Instructional and General Budget have an estimated cost in the range of \$1.4 million to \$1.8 million. (They include increases for computer leasing and renting, matching work-study funds, student financial aid, operation of new recreation facilities and special research funds.)

Balancing the Budget.

To meet all spending obligations for the Instructional and General Program, the expenditure of unrestricted funds must increase by \$17.4 million to \$17.8 million on an annual-rate basis (+12 per cent). This increase in the spending exceeds the projected gain of \$12.5 million in unrestricted revenues by \$4.9 million to \$5.3 million. Nevertheless, the budget before you is balanced, and on an annual-rate basis. It has been balanced--not by deficit spending or by the use of one-time funds, but by reducing commitments \$5.2 million in annual rate through budget cuts, savings and discontinuance of some programs such as the Academy for Contemporary Problems.

Priorities.

In short, the funding of the proposed Instructional and General Budget to (i) raise salaries of regular, continuing faculty and staff by an average of 14 per cent, (ii) fund the civil service pay bill and (iii) fund operating obligations (on an absolute minimal basis)--would be accomplished 70 per cent with new resources (almost entirely instructional subsidy) and 30 per cent with reallocated resources. This budget plan--plainly--is a conscious choice of priorities to put salaries first. Faculty salaries simply must increase by more than the 9 per cent growth in our unrestricted revenues. Budget cuts and savings, therefore, must provide the additionally needed dollars. Equally obvious is that all other priorities must be lower than salaries. Books and periodicals, replacement of obsolete

July 11, 1975 meeting, Board of Trustees

I. GENERAL RECOMMENDATIONS (continued)

A. Proposed Budget for the 1975-1976 Fiscal Year and Proposed Changes in the Instructional and General Fees (continued)

President Enarson's statement (continued)

instructional and research equipment, the maintenance and modernization of instructional and research facilities and supplies and services have not received and cannot receive their just attention in this budget plan.

Budget Backdrop

The biennium just completed (1973-1975) was marked by relatively low growth in revenues, high inflation, deep cuts in the budget, enrollment growth and the implementation of new programs both to expand access and opportunity and to minimize barriers of age, race, sex, occupational status and educational base.

Revenue and Inflation Rates.

Revenues for the Instructional and General Program increased a total of 9 per cent during the previous two years (1973-1975). The consumer price index (CPI) rose 21 to 22 per cent during the same two years. By comparison, for each of the two previous bienniums (1969-1971 and 1971-1973), the corresponding inflation was half as much--9 per cent to 11 per cent. Higher education cost indices (in contrast to the CPI) rose 30 per cent during the biennium just completed.

Budget Cuts.

Again for the biennium just completed, costs far outstripped revenues and expenditures had to be brought in line. Budget cuts in 1973-1974 alone totalled \$8.1 million (6.5 per cent). Cuts of \$2.3 million (2 per cent) were made this past year. Budgets for equipment, services and supplies were not increased in either of the two previous years, even though their prices rose, typically, 40 to 50 per cent during this two-year period. Utility costs increased 47 per cent for the biennium. Hiring was frozen throughout much of the period, except for the replacement of critical positions. A host of economy measures were implemented, including the University-wide program to curb energy consumption.

Enrollment Growth.

Yet again, for the biennium just completed, enrollment growth led to a 3 per cent increase in the instructional staff--proportionately less than the corresponding enrollment growth.



July 11, 1975 meeting, Board of Trustees

I. GENERAL RECOMMENDATIONS (continued)

A. Proposed Budget for the 1975-1976 Fiscal Year and Proposed Changes in the Instructional and General Fees (continued)

President Enarson's statement (continued)

For example, instructional FTE in the five graduate-professional programs increased 15 per cent; it increased 5 per cent in the Graduate School and one per cent in undergraduate programs. Headcount enrollment at Ohio State (Columbus Campus) increased 7 per cent during the past two years. The four-quarter enrollment this past year exceeded the four-quarter enrollment two years ago by nearly 11,000 students (headcount).

Expanding Access and Opportunity.

Again for the biennium just completed, several modest, new programs to expand access and minimize barriers were funded. Fees for part-time students (0-6 credit hours) were lowered. The new Evening Program attracted many students not previously (or recently) pursuing higher studies. Financial aid was increased--in substantial part to support increased minority enrollments. Programs in Women's Studies and services for the physically impaired were expanded. Additional campus physical barriers were removed. New simplified admission and registration procedures were developed for part-time and evening students.

Spending Pattern.

Thus, overall for the previous biennium, with the squeeze between low growth in revenues (+9 per cent) and the high rate of inflation for higher education (+30 per cent), and with the need to spend some funds to expand access--unavoidably, faculty salaries could not keep pace with inflation. This loss in real income occurred in spite of the high priority given to faculty salaries. For example, while revenues rose only 9 per cent and the cost of plant operation rose 23 per cent (primarily because of utility costs and pay bills), still, through the reallocation of dollars cut from the budgets, it was possible to increase the average faculty compensation by 12 per cent during the past two years. The Instructional and General spending pattern for the biennium just completed is as follows:

July 11, 1975 meeting, Board of Trustees

I. GENERAL RECOMMENDATIONS (continued)

A. Proposed Budget for the 1975-1976 Fiscal Year and Proposed Changes in the Instructional and General Fees (continued)

President Enarson's statement (continued)

<u>Category</u>	<u>1973-1975 Biennial Change</u>
Average Faculty Compensation	+12%*
College and Instructional Support Budgets	+ 8
Libraries	+12
Student Services and Institutional Support	+ 6
Plant Operation	+23
All Instructional and General Budgets	+ 9%

\*This is the gain in average faculty compensation, but not the gain in average compensation for a comparable group. For example, retiring and resigning faculty are commonly replaced with persons at the beginning ranks.

Faculty Salary Problems.

With inflation during the previous biennium exceeding the gain in faculty compensation by 8 to 10 per cent, Ohio State was left with two faculty salary problems: (1) Salary growth being insufficient to avoid losses in purchasing power and (2) deficiencies in average salaries relative to those at comparable institutions.

If the proposed average raise of 14 per cent for 1975-1976 is achieved and if the inflation rate for 1975-1976 averages about 7 per cent, the net loss to inflation for the three-year period (1973-1976) would be reduced to the range of 2 to 3 per cent. Thus, the first of our two salary problems would be largely overcome.

Faculty Salary Comparisons

Let me now comment briefly on the problem of deficiencies in average faculty salaries at Ohio State.

July 11, 1975 meeting, Board of Trustees

I. GENERAL RECOMMENDATIONS (continued)

A. Proposed Budget for the 1975-1976 Fiscal Year and Proposed Changes in the Instructional and General Fees (continued)

President Enarson's statement (continued)

In its report of May 30, 1975, entitled "Report on Faculty Salary and Compensation Comparisons: OSU and The Big Ten," the Faculty Compensation and Benefits Committee presented a comparison of average faculty salaries and compensation at the Big Ten universities (based on 23 departments of instruction). The results show average compensation at Ohio State to be less than the average for the Big Ten by approximately \$2,000 to \$3,000 for professors, about \$1,000 for associate professors and roughly \$500 for assistant professors. The Committee concluded "That O. S. U. faculty members are less well compensated than their colleagues in the Big Ten. This is the most noticeable at higher academic ranks, which are in the poorest position relatively not only in ranking but in actual dollars of compensation." We translated their results into an average salary deficiency (relative to the mean level for the Big Ten) of \$1,200 or 6 per cent.

Our own studies produced similar conclusions. We found that the average compensation for Ohio State's ranked faculty in 1974-1975 was about 7 per cent below the average for all other Big Ten universities, 3 per cent below the average for the 32 other leading public research universities in the United States, 3 per cent below the average for the public universities in states bordering Ohio and 3 per cent above the average of those 10 state-affiliated universities in Ohio reporting salary data to AAUP. Although Ohio State's average compensation for ranked faculty lagged behind the average for the other Big Ten universities by 9 per cent in 1973-1974, the lag dropped to 7 per cent last year and--on achieving our proposal to increase salaries 14 per cent, we estimate that Ohio State's average faculty compensation this year will be behind the average for the other Big Ten schools by only one to 2 per cent (\$200 to \$300). It is also likely that a 14 per cent average raise this year would lift Ohio State's compensation ranking among the Big Ten from 10th to at least 7th (possibly to 6th), and that Ohio State's average compensation next year would exceed by 2 to 3 per cent the corresponding averages for both the leading public research universities in the United States and the public universities in the states bordering Ohio.

July 11, 1975 meeting, Board of Trustees

I. GENERAL RECOMMENDATIONS (continued)

A. Proposed Budget for the 1975-1976 Fiscal Year and Proposed Changes in the Instructional and General Fees (continued)

President Enarson's statement (continued)

Budget Objectives for 1975-1976

On February 7, 1975, I presented to the Board of Trustees the proposed set of budget objectives for 1975-1976. You will recall that the Committee on Faculty Compensation and Benefits had just reported what confirmed my own independent assessment: That the cumulative loss in real income since 1968 for our faculty had been about 17 per cent. We saw no real prospect then that the Ohio General Assembly would fund such an increase, even though it had been apparent for some time that losses to inflation were serious and needed to be recouped as much as possible in future budgets. We announced then our intentions to set a 14 per cent increase in average salaries for faculty and staff as the prime budget objective for 1975-1976, with the understanding that it would be achieved through increased state support in instructional subsidy and, if necessary, by cutting existing budgets substantially. Except for the civil service pay bill, we adopted and have since developed the budgets before you using the following specific objectives.

1. Regular, returning faculty and administrative and professional staff (who were on the payroll as of February 14, 1975) would receive a 7 per cent across-the-board increase. An additional allocation of 7 per cent would be provided for salary increases to be based on merit and equity adjustments.
2. Allocations for equipment, supplies, telephone, travel, postage, etc. would be increased only 4 per cent--which imposes a substantial cut in their purchasing power.
3. Effective March 1, 1975, all appointments of personnel in all categories for both new and replacement positions were frozen. Exceptions to this freeze are granted on an emergency basis only. Replacements are made at an appropriate beginning level; with rare exception, a replacement for a professor would be an assistant professor.
4. Cuts in all budgets of two per cent would be made.

July 11, 1975 meeting, Board of Trustees

I. GENERAL RECOMMENDATIONS (continued)

A. Proposed Budget for the 1975-1976 Fiscal Year and Proposed Changes in the Instructional and General Fees (continued)

President Enarson's statement (continued)

5. Adjustments for unavoidable increases in operating costs would be made, e. g. utility rate increases, cost increments for alternate energy sources, the opening of new buildings, increased retirement benefits, minimum wage adjustments and so forth.

Prior to the recent 2 per cent cut in State support, it was our hope that budget cuts for next year could be held to 2 per cent. Now, however, it is necessary to recommend that University budgets be cut 2.5 per cent (in addition to the fee increase recommended in the next section).

Planning Premises for the Proposed Budget

a. Enrollment Estimates.

Enrollments by level and type of academic program determine, for the most part, the instructional subsidy earned by the University. Fee revenues are also determined by enrollments (numbers of undergraduate and post-baccalaureate students, full-time and part-time). Thus, since the instructional subsidy and student charges are the principal sources of support for our credit programs, it follows that enrollment estimates for the new academic year are one of several key sets of assumptions upon which the proposed Instructional and General Budget is based.

Last Fall, we set enrollment goals for the 1975-1976 school year consistent with the State's enrollment ceiling for our Columbus Campus. And, although precision in projecting enrollments is rarely achieved, I am happy to report that advance indicators point to on-target levels for Autumn, 1975. The goal for new freshmen this Autumn is 7,000. (The actual number enrolled last Autumn was 7,431.) Freshman applications are up again this year; the deadline was advanced, therefore, from the usual July 1 to May 16. We hope the number of advanced undergraduate transfer students will increase over last year. Overall, undergraduate enrollment this Autumn is expected to increase between one and two per cent. The total post-baccalaureate enrollment is expected to remain at the level of last Autumn.

Our present best estimates of the enrollments for the Autumn Quarter are:

July 11, 1975 meeting, Board of Trustees

I. GENERAL RECOMMENDATIONS (continued)

A. Proposed Budget for the 1975-1976 Fiscal Year and Proposed Changes in the Instructional and General Fees (continued)

President Enarson's statement (continued)

	Actual Autumn, 1974	Estimated Range Autumn, 1975	Specific Estimate for Planning Autumn, 1975
Columbus			
Campus			
Under-graduate	37,868	37,700-38,800	38,400
Graduate School	8,595	8,300- 8,800	8,600
Professional Colleges	2,812	2,750- 2,850	2,825
Total	49,275	48,750-50,450	49,825
Regional Campuses (Lima, Mansfield, Marion, Newark, Wooster, Wright Patterson)	4,239	4,200- 4,500	4,400

b. Instructional Subsidy.

The appropriated instructional subsidy for the Columbus Campus credit programs for 1975-1976 is \$94.2 million. However, with the 2 per cent cut, full earnings would be \$92.3 million (57 per cent of the estimated total revenues for the Instructional and General Program). Also, instructional subsidies of \$4.0 million are available for credit instructional programs at Lima, Mansfield, Marion, Newark and Wooster.

The enrollment pattern by program this Summer and Autumn will determine the subsidies earned during 1975-1976. There are complex formulae which relate credit hours of instruction to subsidy earnings and, finally, to the University's actual allocation.

July 11, 1975 meeting, Board of Trustees

I. GENERAL RECOMMENDATIONS (continued)

A. Proposed Budget for the 1975-76 Fiscal Year and Proposed Changes in the Instructional and General Fees (continued)

President Enarson's statement (continued)

Although enrollment forecasting is hardly an exact science, we are confident Ohio State's subsidy earnings will be close to the appropriated levels. New this year is the requirement that the pay bill for civil service employees be funded in its entirety from the instructional subsidy. As already noted, that factor is a major constraint on our program flexibility.

c. Proposed New Fees and Projected Fee Revenues.

I am proposing four fee changes for your consideration and approval: (a) An increase of \$10 per quarter in the Instructional Fee for all Columbus programs, effective Autumn Quarter, 1975, (b) an increase of \$20 per quarter in the Instructional Fee at Lima, Mansfield, Marion, Newark and Wooster, effective Autumn Quarter, 1975, (c) the lowering of part-time fees for 7 and 8 credit hours, undergraduate and Master's programs, all campuses, effective Autumn Quarter, 1975, and (d) an additional increase of \$20 per quarter in the Instructional Fee for the five post-baccalaureate professional programs, effective Winter Quarter, 1976.

After extensive consideration of the recent 2 per cent cut in subsidy, we concluded that this loss should be shared between additional cutbacks in expenditures and an increase in the charges to students. Reluctantly, therefore, I am recommending that the Instructional Fee be raised \$10 per quarter for all Columbus programs and \$20 per quarter at Lima, Mansfield, Marion, Newark and Wooster, effective Autumn Quarter, 1975. The new fees would be:

	Date Effective	Full-Time Instructional Fee		Full-Time General Fee	
		1974-75	1975-76	1974-75	1975-76
Columbus					
Campus					
Under- graduates	Autumn, 1975	\$210	\$220	\$50	\$50
Graduate School	Autumn, 1975	270	280	50	50
Graduate Profes- sional	Autumn, 1975	270	280	50	50
Graduate Profes- sional	Winter, 1976	270	300	50	50

July 11, 1975 meeting, Board of Trustees

I. GENERAL RECOMMENDATIONS (continued)

A. Proposed Budget for the 1975-76 Fiscal Year and Proposed Changes in the Instructional and General Fees (continued)

President Enarson's statement (continued)

	<u>Date Effective</u>	<u>Full-Time Instructional Fee</u>		<u>Full-Time General Fee</u>	
		<u>1974-75</u>	<u>1975-76</u>	<u>1974-75</u>	<u>1975-76</u>
Regional Campuses					
Under-graduates	Autumn, 1975	\$200	\$220	\$35	\$35
Graduate School	Autumn, 1975	270	280	35	35

Next, it is recommended that the second phase of our plan to lower fees for part-time studies (students enrolling for one or two courses only) be implemented effective Autumn Quarter, 1975 (all campuses). On July 6, 1973, as a part of the University's new program to open its doors to the non-traditional, the evening and part-time student, the Board approved modifying the fee structure to a credit-hour charge for enrollment in six or fewer credit hours, with a minimum charge for three or fewer credit hours. We are pleased with the response to these changes. I am convinced now that Ohio State, for its mix of programs and enrollment ceiling, has a fee structure which is reasonable and defensible--except for 7 and 8 credit hours in undergraduate and Master's programs. Ohio State enrolls relatively few undergraduate and Master's students in the 7 and 8 credit-hour range. This is because the students perceive quickly that educational costs can be reduced either by adding or dropping a course to move away from this range. Therefore, I am recommending that the fees for 7 and 8 credit hours be placed on a credit hour charge for all undergraduate and Master's programs effective Autumn, 1975. We believe this to be fair to the students and not likely to affect income substantially. The proposed new fee schedule for all campuses is as follows:



July 11, 1975 meeting, Board of Trustees

I. GENERAL RECOMMENDATIONS (continued)

A. Proposed Budget for the 1975-1976 Fiscal Year and Proposed Changes in the Instructional and General Fees (continued)

President Enarson's statement (continued)

<u>Credit Hours</u>	Present Fee Schedule Fraction of Full Fee	
	<u>Prior to Autumn, 1973</u>	<u>Since Autumn, 1973</u>
0-3	6/12	3/12
4	6/12	4/12
5	6/12	5/12
6	6/12	6/12
7	12/12	12/12
8	12/12	12/12
9 or more	12/12	12/12

<u>Credit Hours</u>	Proposed New Fee Schedule Fraction of Full Fee for	
	<u>All Undergraduate and Master's Students</u>	<u>All Doctoral Students</u>
0-3	3/12	3/12
4	4/12	4/12
5	5/12	5/12
6	6/12	6/12
7	7/12	12/12
8	8/12	12/12
9 or more	12/12	12/12

Thirdly, I am recommending that the Instructional Fee for enrollment in our five post-baccalaureate professional programs (Dentistry, Law, Medicine, Optometry, and Veterinary Medicine) be increased an additional \$20 per quarter, effective Winter Quarter, 1976. This would raise the quarterly Instructional Fee from \$270 last year to \$280 this Autumn and then to \$300 effective Winter, 1976. The total quarterly charge (Instructional and General Fees) would be \$350 per quarter, up \$30 (+9 per cent) from \$320 last year. Presently, our Instructional Fee of \$270 per quarter is considerably below the \$400 level indicated for these programs by the Board of Regents. The Instructional and General charges last year at public universities in Ohio for full-time enrollment as an Ohio resident in comparable programs were: Akron-\$360 for Law (15 credit hours), Cincinnati-\$450 for Law and Medicine, Cleveland State-\$340 for Law, Medical College of Ohio-\$400 for Medicine, Ohio State-\$320 for Dentistry, Law, Medicine, Optometry and Veterinary Medicine, and Toledo-\$350 for Law. Comparable

July 11, 1975 meeting, Board of Trustees

I. GENERAL RECOMMENDATIONS (continued)

A. Proposed Budget for the 1975-1976 Fiscal Year and Proposed Changes in the Instructional and General Fees (continued)

President Enarson's statement (continued)

charges last year at other public Big Ten universities ranged from \$230 to \$535 per quarter; the median level was slightly under \$300 for Law and between \$350 and \$400 for the other professional programs.

For all of these proposed changes in the Instructional Fee, fee revenues for the Columbus Campus next year will be higher by about \$1.4 million--from \$45.7 million last year to an estimated \$47.1 million this year. The expected increase includes the projected effects of: (a) Total enrollments by level, (b) the full-time, part-time distribution, (c) the proposed increase in the Instructional Fee, (d) the proposed new fees for 7 and 8 credit hours and (e) the proposed new Instructional Fee for the professional programs.

Lastly, I am recommending that the Instructional Fee for undergraduate programs at the Lima Campus, Mansfield Campus, Marion Campus, Newark Campus and the Agricultural Technical Institute (Wooster) be increased from \$200 to \$220 per quarter, effective Autumn Quarter, 1975. This would raise the total quarterly charge (Instructional and General Fees) from \$235 to \$255 for full-time enrollment in all undergraduate programs at these campuses.

d. Earnings, Gifts and Grants.

The third general category of revenues for the Instructional and General Budget (beyond subsidy and student charges) is Departmental Earnings, Gifts and Grants. For the most part, these revenues are restricted--tagged for specific purposes. Departmental earnings are revenues from clinics, print shop, general stores, laboratory services, equipment repair and the sale of journals and other publications. Grants and gifts support a myriad of special purpose projects: work-study, training grants, named chairs, designated support for colleges and their departments, governmental-industrial-commercial grants, special equipment purchases and so forth.

Departmental earnings this year (in support of the Instructional and General Budget) are expected to increase \$1.9 million. Restricted gifts and grants are expected to increase \$1.8 million. Overall, revenues from earnings, gifts and grants are projected to increase \$4.0 million, up from \$22.1 million last year to \$26.1 million this year.

Schedule of Student Fees, Effective Autumn Quarter, 1975

College or School	Credit Hours Enrolled	Instruc-tional	General	Resident Total	Out-of-State Tuition	Non-Resident Total
Administrative Science						
Agriculture and Home Economics						
Allied Medical Professions						
Architecture						
Biological Sciences						
Continuing Education						
Dental Hygiene						
Education						
Engineering	0-3	\$ 55	\$12	\$ 67	\$ 87	\$154
Health, Physical	4	74	16	90	116	206
Education and Recreation	5	92	20	112	145	257
	6	110	25	135	175	310
Humanities	7	128	29	157	204	361
Journalism	8	146	34	180	233	413
Mathematics and Physical Sciences	9 or more	220	50	270	350	620
Music						
Natural Resources						
Nursing						
Pharmacy						
Social and Behavioral Sciences						
Social Work						
The Arts						
University College						
Graduate School						
Masters	0-3	\$ 70	\$12	\$ 82	\$ 87	\$169
	4	94	16	110	116	226
	5	117	20	137	145	282
	6	140	25	165	175	340
	7	164	29	193	204	397
	8	186	34	220	233	453
	9 or more	280	50	330	350	680
Ph. D.	0-3	\$ 70	\$12	\$ 82	\$ 87	\$169
	4	94	16	110	116	226
	5	117	20	137	145	282
	6	140	25	165	175	340
	7 or more	280	50	330	350	680

Schedule of Student Fees, Effective Autumn Quarter, 1975

College or School	Credit Hours Enrolled	Instructional	General	Resident Total	Out-of State Tuition	Non-Resident Total
Dentistry	0-3	\$ 70	\$12	\$ 82	\$ 87	\$169
Law	4	94	16	110	116	226
Medicine	5	117	20	137	145	282
Optometry	6	140	25	165	175	340
Veterinary Medicine	7 or more	280	50	330	350	680
University Regional Campuses						
Undergraduate	0-3	\$ 55	\$ 9	\$ 64	\$ 87	\$151
	4	74	11	85	116	201
	5	92	14	106	145	251
	6	110	17	127	175	302
	7	128	20	148	204	352
	8	146	24	170	233	403
	9 or more	220	35	255	350	605
Graduate						
Masters	0-3	\$ 70	\$ 9	\$ 79	\$ 87	\$166
	4	94	11	105	116	221
	5	117	14	131	145	276
	6	140	17	157	175	332
	7	164	20	184	204	388
	8	186	24	210	233	443
	9 or more	280	35	315	350	665
Ph. D.	0-3	\$ 70	\$ 9	\$ 79	\$ 87	\$166
	4	94	11	105	116	221
	5	117	14	131	145	276
	6	140	17	157	175	332
	7 or more	280	35	315	350	665

Full-time undergraduate and master's students (those enrolled in any quarter, term or period for nine or more credit hours) will be assessed full fees. Fees for undergraduate and master's students enrolled for eight or fewer hours in any quarter, term, or period shall be assessed on a per credit hour basis, with the minimum fee for fewer than three credit hours being the fee for three credit hours.

Full-time graduate professional and Ph. D. students (those enrolled in any quarter, term, or period for seven or more credit hours) will be assessed full fees. Fees for graduate professional and Ph. D. students enrolled for six or fewer hours in any quarter, term or period shall be assessed on a per credit hour basis, with the minimum fee for fewer than three credit hours being the fee for three credit hours.

Schedule of Student Fees, Effective Autumn Quarter, 1975

College or School	Instruc- tional	General	Resident Total	Out-of-State Tuition	Non- Resident Total
Administrative Science	\$220	\$50	\$270	\$350	\$620
Agriculture and Home Economics	220	50	270	350	620
Arts and Sciences					
The Arts	220	50	270	350	620
Biological Sciences	220	50	270	350	620
Humanities	220	50	270	350	620
Mathematics and Physical Sciences	220	50	270	350	620
Social and Behavioral Sciences	220	50	270	350	620
Education	220	50	270	350	620
Engineering	220	50	270	350	620
Graduate School	280	50	330	350	680
Dentistry	280	50	330	350	680
Dental Hygiene	220	50	270	350	620
Law	280	50	330	350	680
Medicine	280	50	330	350	680
School of Allied Medical Professions	220	50	270	350	620
School of Nursing	220	50	270	350	620
Optometry	280	50	330	350	680
Pharmacy	220	50	270	350	620
Veterinary Medicine	280	50	330	350	680
University College	220	50	270	350	620
University Regional Campuses					
Undergraduate	220	35	255	350	605
Graduate	280	35	315	350	665

July 11, 1975 meeting, Board of Trustees

I. GENERAL RECOMMENDATIONS (continued)

A. Proposed Budget for the 1975-1976 Fiscal Year and Proposed Changes in the Instructional and General Fees (continued)

President Enarson's statement (continued)

Proposed Specific Budgets for 1975-1976

Summaries of the estimated income by source and the budgeted expenditures by principal program for the new fiscal year are attached. In addition to the summary for the Instructional and General Program (which budget was explained previously), summaries of budget expenditures as proposed for 1975-1976 are included for the other major programs: Sponsored Research, Public Service, Student Aid, Auxiliaries and Regional Campuses.

Expenditures this year for Sponsored Research (separately budgeted funds for research commissioned by a variety of sponsors) are projected to increase from \$25.1 million last year to \$26.6 million this year. The budget total of \$26.6 million includes those funds to be used in direct support of the sponsored research programs (\$24.8 million) and the expenditures projected for research administration (\$1.8 million). Of the \$24.8 million budgeted for direct support of the research programs, \$18.6 million are for programs administered by the Research Foundation, \$2.2 million are for programs administered by the Engineering Experiment Station, \$1.6 million are for University-sponsored research programs, and \$2.4 million are for the many special grants and contracts through the Development Fund and other University offices.

Budgeted expenditures for Public Service programs in 1975-1976 are up \$8.4 million over last year, primarily because of higher Hospital revenues. Increases in patient charges and even more stringent measures of economy have been required to balance the budget for the Hospitals. Funds budgeted for the Student Aid Program are at last year's level, even though the total aid for students is expected to increase. (An increasing proportion of student aid goes directly to students via the Instructional Grants Program, State of Ohio, and by the Federal Basic Opportunity Grants Program.) Student Aid budgets for University supported programs have been increased \$140,000.

Total expenditures for auxiliary enterprises (housing, athletics, bookstores, facilities services, food facility, parking facilities, health services, student services, and so forth) are up from \$42.2 million last year to an estimated \$44.6 million this year.

July 11, 1975 meeting, Board of Trustees

I. GENERAL RECOMMENDATIONS (continued)

A. Proposed Budget for the 1975-1976 Fiscal Year and Proposed Changes in the Instructional and General Fees (continued)

President Enarson's statement (continued)

Regional Campus budgets have been developed using the same budget objectives as proposed for the Columbus programs. Revenues and expenditures for the Lima Campus, Mansfield Campus, Marion Campus, Newark Campus, Agricultural Technical Institute (Wooster), and the Wright Patterson Graduate Center are expected to increase from \$7.4 million last year to \$8.9 million this year (+20 per cent). Increases in instructional subsidy will provide 2/3 of the expected additional revenues.

- o -

Mr. Michael S. Aguiar, a student and a Vietnam veteran, spoke in opposition to the \$10 per quarter increase in the student fees for the coming year.

Mr. Thomas Worley, representing the Undergraduate Student Government, expressed displeasure that the students did not have an opportunity to participate in the budgetary decision involving the increase in student fees.

- o -

President Enarson's Concluding Recommendation

Now I wish to recommend that the budget for the fiscal year 1975-1976 and the changes in fees be approved; and that the Secretary be instructed to incorporate all supporting documents by reference, including the salary rolls and the inventory of fees and charges for the fiscal year 1975-1976, and to file these materials with the official records of the University.

Upon motion of Mr. Safford, seconded by Mr. Gushman, the Board of Trustees approved the foregoing recommendations by unanimous roll call vote.

Sources of Income to Support the 1975-1976 Budget

	<u>Estimated 1974-75</u>	<u>Budgeted 1975-76</u>
Columbus Campus		
Government Appropriations		
State of Ohio	\$100,415,000	\$111,673,000
Federal	<u>40,362,000</u>	<u>42,327,000</u>
Subtotal	\$140,777,000	\$154,000,000
Student Fees		
Instructional and General	\$ 45,695,000	\$ 47,083,000
Room and Board	<u>12,646,000</u>	<u>13,434,000</u>
Subtotal	\$ 58,341,000	\$ 60,517,000
Recovered Costs	\$ 5,581,000	\$ 6,060,000
Other Income		
Auxiliary Sales and Charges	\$ 72,146,000	\$ 80,754,000
Department and University Services	16,554,000	19,431,000
Endowment Income	2,400,000	2,420,000
Gifts and Grants	10,010,000	10,965,000
Temporary Investments	2,000,000	2,000,000
Other	<u>131,000</u>	<u>111,000</u>
Subtotal	\$103,241,000	\$115,681,000
Total Columbus Campus	• \$307,940,000	\$336,258,000
Regional Campuses		
Lima Campus	\$ 1,754,000	\$ 2,119,000
Mansfield Campus	1,708,000	2,117,000
Marion Campus	1,155,000	1,400,000
Newark Campus	1,453,000	1,727,000
Agricultural Technical Institute	1,057,000	1,358,000
Wright Patterson Graduate Center	<u>265,000</u>	<u>275,000</u>
Total Regional Campuses	\$ 7,392,000	\$ 8,996,000
Grand Total	\$315,332,000	\$345,254,000



Budgeted Expenditures for the 1975-1976 Year

	<u>Estimated 1974-75</u>	<u>Budgeted 1975-76</u>
Columbus Campus		
Instructional and General		
Departmental Instruction and Research	\$104,609,000	\$116,297,000
Instructional Services	2,162,000	2,595,000
Libraries	5,922,000	6,247,000
Student Services	5,085,000	5,583,000
Plant Operation	17,840,000	20,405,000
Institutional Expense	<u>9,676,000</u>	<u>10,355,000</u>
Total Instructional and General	<u>\$145,294,000</u>	<u>\$161,482,000</u>
Sponsored Research		
Research Foundation	\$ 17,500,000	\$ 18,629,000
Engineering Experiment Station	2,150,000	2,234,000
Research Administration	1,700,000	1,810,000
University Sponsored Research	1,543,000	1,560,000
Other Grants and Contracts	<u>2,219,000</u>	<u>2,398,000</u>
Total Sponsored Research	<u>\$ 25,112,000</u>	<u>\$ 26,631,000</u>
Public Service		
University Hospitals	\$ 56,499,000	\$ 63,655,000
Cooperative Extension Service	14,532,000	15,138,000
Other Grants and Contracts	11,352,000	11,613,000
University Sponsored Programs	1,923,000	2,114,000
Conferences	<u>1,500,000</u>	<u>1,650,000</u>
Total Public Service	<u>\$ 85,806,000</u>	<u>\$ 94,170,000</u>
Student Aid		
Scholarships, Fellowships, and Loans	\$ 8,764,000	\$ 8,712,000
Fee Remissions	<u>671,000</u>	<u>694,000</u>
Total Student Aid	<u>\$ 9,435,000</u>	<u>\$ 9,406,000</u>
Auxiliaries		
Student Housing	\$ 15,624,000	\$ 16,244,000
Intercollegiate Athletics	6,332,000	6,322,000
University Bookstores	3,619,000	3,716,000
Food Facility	2,960,000	3,370,000
Facilities Services	2,255,000	2,545,000
Parking Facilities and Transportation	2,149,000	2,235,000
Student Health Service	1,626,000	1,710,000
Meat Laboratory	1,236,000	1,570,000
Student Unions	1,767,000	1,678,000
University Airport	1,394,000	1,556,000
Laundry	1,153,000	1,264,000
Fawcett Center for Tomorrow	1,194,000	1,318,000
Other	<u>935,000</u>	<u>1,040,000</u>
Total Auxiliaries	<u>\$ 42,244,000</u>	<u>\$ 44,568,000</u>
Total Columbus Campus	<u>\$307,891,000</u>	<u>\$336,257,000</u>

Budgeted Expenditures for the 1975-1976 Year (continued)

	<u>Estimated</u> <u>1974-75</u>	<u>Budgeted</u> <u>1975-76</u>
Regional Campuses		
Administration	\$ 125,000	\$ 252,000*
Lima Campus	1,752,000	2,030,000
Mansfield Campus	1,714,000	1,976,000
Marion Campus	1,107,000	1,327,000
Newark Campus	1,412,000	1,677,000
Agricultural Technical Institute	1,002,000	1,336,000
Wright Patterson Graduate Center	<u>265,000</u>	<u>275,000</u>
Total Regional Campuses	<u>\$ 7,377,000</u>	<u>\$ 8,873,000</u>
Grand Total	<u>\$315,268,000</u>	<u>\$345,130,000</u>

---

\*In 1975-76 includes two programs totalling slightly over \$100,000 previously reported in individual branch budgets and represents an accounting/reporting change only.

July 11, 1975 meeting, Board of Trustees

I. GENERAL RECOMMENDATIONS (continued)

STATEMENT TO THE BOARD OF TRUSTEES

July 11, 1975

PROPOSED INITIATIVES CONCERNING EXPANDED OPPORTUNITY

FOR WOMEN AND MINORITIES

The many complex problems of expanding educational and job opportunities for women and minorities trouble colleges and universities everywhere. All institutions are under a moral as well as a legal mandate to pursue vigorously programs of affirmative action. In many ways OSU has been in the forefront of such efforts. Although precise comparisons are difficult to make, we believe that OSU has made more progress in the past half decade than most of its sister institutions. Most complaints have been successfully resolved. And indeed, the federal agencies have not found OSU in violation of federal law--this at a time when the programs of many institutions, among these the leading universities of the nation, are under legal challenge.

However, as I have reported in previous detailed reports on our affirmative action program, more progress needs to be made. Like major universities everywhere, OSU seems to have reached a plateau. Despite special programs of recruitment and retention, the proportion of women, blacks, and other racial minorities in the University has stabilized--partly because of the intense competition for the limited supply of prepared persons.

Our principal obstacle is not discrimination which, regrettably, in years past has occurred all too often. It is simply that special and intensified efforts must be made in the years ahead if further progress is to be made. Affirmative action must strike deeper roots in the University community. Formal policies are only the base on which successful efforts are built. Similarly, the personal commitment of the President and his colleagues in the administration is not enough. There must be new initiatives that involve the University community more intimately and directly.

I propose three such initiatives for the consideration of the Board of Trustees:

1. Wider Involvement of Faculty, Staff, and Student Leadership.

I propose the setting up of a Commission on Women and Minorities with representation from the faculty, staff, students, administration, and community. Some would have preferred that the issues and concerns of women and of minorities be addressed separately. However, the problems are essentially inseparable and it does no

July 11, 1975 meeting, Board of Trustees

I. GENERAL RECOMMENDATIONS (continued)

President Enarson's Proposed Initiatives Concerning Expanded Opportunity for Women and Minorities (continued)

good to pretend otherwise. The issue is one of expanded opportunity in both instances--always within the context of concern for quality and for equity in all personnel decisions. The charge to the Commission is set forth in an attachment.

It is essential that the University community as a whole confront these issues. And we should expect recommendations that will better enable the University to come to grips with issues that are so wrapped up in strong emotions. In addition to providing a forum for group grievances, I also hope that such a Commission would contribute through its report to a better understanding of the extraordinarily complex issues (in law, regulation, policy) subsumed under the phrase 'affirmative action.' The life span of the new Commission should be a year at minimum.

2. Strengthened Office of Affirmative Action.

Mr. Madison Scott serves full-time as Associate Vice President for Personnel Services. He also serves as Affirmative Action Officer, reporting in that role directly (and frequently) to the President. He is assisted by Dr. Johanna S. DeStefano, who is substantially full-time except for teaching a class. The direct involvement of the director of personnel management in affirmative action has been one of the chief strengths of the present arrangement.

However, as I have already indicated, the Office of Personnel Services--which serves over 23,000 persons employed part or full time in all areas of the University--is itself a full-time executive position. To give affirmative action also renewed, undivided, and sustained attention is clearly impossible. Accordingly, I recommend that the position of Affirmative Action Officer be established as a full-time position. The post now held by Dr. DeStefano should continue as a full-time (or substantially full-time) position. It is crucial that the Office of Affirmative Action continue to be linked intimately with the Director of Personnel Services. However, the chief affirmative action officer should continue to report directly to the President, with immediate access.

July 11, 1975 meeting, Board of Trustees

I. GENERAL RECOMMENDATIONS (continued)

President Enarson's Proposed Initiatives Concerning Expanded Opportunity for Women and Minorities (continued)

3. Increased Financial Assistance in Professional Schools.

The goal of "equal representation," plausible as it may seem, is a snare and a delusion as long as the nation suffers from extreme shortages of women and minorities in so many fields. As long, for example, as less than one per cent of the nation's dental schools faculty are black, the efforts of dental schools to recruit black faculty are plainly doomed to failure. No amount of commitment, good faith efforts, and reinvigorated affirmative action can banish the reality of this statistic. And one institution's success in recruiting a black or a woman faculty member becomes, unfairly, the measure of another university's failure. This is the essential dimension that is replicated in every single graduate and professional field. And this is why OSU and other universities will be 'failing' in our affirmative action efforts in the years ahead--for as long as the pipelines of our universities are as small and few as they are.

Enlarging the enrollments in professional schools is not a simple matter--far from it. Here we face the cruel legacy of poverty, of stereotypes in the professions, of ghetto schools, of poor counseling, and of the absence of 'role models.'

In recent years OSU's professional schools have increased their efforts to attract and retain racial and ethnic minorities, women, and the economically or geographically disadvantaged. Money is only a relatively small part of this bundle of problems. However, money is important. As the pool of interested and eligible candidates grows, financial assistance is essential if opportunity is to be made a reality.

The need for financial assistance for all needy students at all levels is a bottomless pit. Despite the many federal, state, and institutional programs of financial aid, there is never enough money to go around. In the long haul, only substantially increased investments by government and by private donors can begin to meet the need and thereby remedy the current imbalances that exist in the enrollments to our professional schools.

July 11, 1975 meeting, Board of Trustees

I. GENERAL RECOMMENDATIONS (continued)

President Enarson's Proposed Initiatives Concerning Expanded Opportunity for Women and Minorities (continued)

However, we can and must make a beginning. I propose that, despite the extremely tight 1975-76 budget, we set aside \$200,000 for financial assistance to recruit and retain needy but admissible minority, women, and disadvantaged students for whatever cause into our professional schools. These funds should serve as 'seed money' as we attempt to attract private support, possibly on a matching basis. The eligibility for such assistance, it must be emphasized, is the determination of qualifications and of prior disadvantage.

These initiatives are recommended for your consideration and support.

CHARGE TO THE COMMISSION

TO REVIEW THE STATUS OF MINORITIES AND WOMEN

AT THE OHIO STATE UNIVERSITY

1. To study and evaluate current programs for broadening educational and employment opportunities for minority groups and women in all functions and activities of The Ohio State University, including programs specifically designed to meet the needs of disadvantaged students.
2. To inquire into and report on existing conditions, practices, and policies which result in any form of discrimination against or disadvantage for minority groups and women.
3. To delineate clearly and specifically the achievements as well as the weaknesses of the University's Affirmative Action Programs, and to suggest appropriate ways in which the University's efforts may be enhanced.
4. To communicate to the University and its various constituencies the significance and importance of the University's affirmative action efforts, and the need for increased sensitivity in this regard in employment as well as educational opportunities. In addition, to encourage the development of recruiting programs which will enhance educational and employment opportunities.

July 11, 1975 meeting, Board of Trustees

I. GENERAL RECOMMENDATIONS (continued)

President Enarson's Proposed Initiatives Concerning Expanded Opportunity for Women and Minorities (continued)

5. And, in view of the above, to make such recommendations as in the Commission's view would sustain, strengthen, and improve the whole concept and program of affirmative action at The Ohio State University.

Upon motion of Dr. Sirak, seconded by Dr. Jacob, the Board of Trustees approved the foregoing recommendation by unanimous roll call vote.

B. Revision of Rules 28.11, 35.07, 54.01, 54.03, and 54.05 of Rules of the University Faculty

The University Senate at its meeting on May 20, 1975, recommended changes in the grading system for the University. These changes require revision of Rule 35.07 which sets forth all the approved Marks for the University.

At a subsequent meeting of the University Senate on June 3, 1975, the following changes in the Rules of the University Faculty were recommended to the Board of Trustees.

Rule 28.11 - Allows Senate to reconsider actions it may have taken.

Rules 54.01, 54.03, 54.05 - Pertain to operation of the Ohio and Drake Unions and doubles the size of body which supervises the operation.

President Enarson recommended that the proposals from the University Senate relating to the revisions in the Rules of the University Faculty be approved.

Upon motion of Mr. Gushman, seconded by Mr. Harrod, the Board of Trustees approved the foregoing recommendation by unanimous voice vote.

C. Distinguished Service Awards and Degrees and Certificates--Summer Quarter Commencement

Serving as a Committee on Distinguished Service Awards, the President's Staff has nominated and recommended for approval by the Board of Trustees, the following-named persons to receive the Distinguished Service Award at the August 29, 1975, Commencement. These awards are given in recognition of distinguished service to The Ohio State University and the awards are in accordance with action taken by the Board of Trustees in 1952.

Charles Cook  
Robert S. Dorsey  
J. Wesley Leas  
Julia Marine  
Cecil Robinson

Rules of the University Faculty

28.11. Procedures for Reconsideration.

Upon petition by 10% of the Student Body or 10% of the Faculty, the Senate shall reconsider any action which it has taken. Upon its own initiative, the Senate may also reconsider actions it has taken.

o - o

35.07. Marks.

The official marks of the University are as follows: A, A-, B+, B, B-, C+, C, C-, D+, D, E, EM, I, K, P, PA/NP, R, S/U, W. These marks shall have the following meaning:

- A, A-        The instructor judged the student to have satisfied the stated objectives of the course in an excellent manner. The student's performance was judged to be in this range of high quality based upon a comparison with other students in the course, and/or with students who have taken the course previously, and/or the instructor's personal expectations relative to the stated objectives of the course, based on his experience and expertise.
  
- B+, B, B-    The instructor judged the student to have satisfied the stated objectives of the course in an above average manner. The student's performance was judged to be in this range of above average quality based upon a comparison with other students in the course, and/or with students who have taken the course previously, and/or the instructor's personal expectations relative to the stated objectives of the course, based on his experience and expertise.
  
- C+, C, C-    The instructor judged the student to have satisfied the stated objectives of the course in an average manner. The student's performance was judged to be in this range of average quality based upon a comparison with other students in the course, and/or students who have taken the course previously, and/or the instructor's personal expectations relative to the stated objectives of the course, based on his experience and expertise.
  
- D+, D        The instructor judged the student to have satisfied the stated objectives of the course in a low but acceptable manner. The student's performance was judged to be in this range of below average but acceptable quality based upon a comparison with other students in the course, and/or with students who have taken the course previously, and/or the instructor's personal expectations relative to the stated objectives of the course, based on his experience and expertise.

(No changes are recommended for the remainder of Rule 35.07.)

o - o



Rules of the University Faculty (continued)

54.01. Purpose.\*

The Ohio Union and the Drake Union are established as the community centers of the University for the primary purpose of serving students in their cultural, social, recreational, and organized activities. The Ohio Union and the Drake Union are also established to serve the faculty, staff, and alumni of the University as well as their guests. (B/T 9/7/59)

- o -

54.03. Director.\*

The Director, Ohio Unions, shall be the chief administrator of the Ohio Union and the Drake Union. He shall have the general administrative responsibility for the programs and financial affairs of these unions. The Director shall be responsible to the Vice President for Student Services. (B/T 9/7/59, B/T 12/3/71)

- o -

54.05. The Ohio Unions Council.\*

The Ohio Unions Council shall consist of thirty-three members chosen as follows:

- a. Eighteen student members chosen in accordance with rules established by the Ohio Unions Council.
- b. One student appointed by the President of the Undergraduate Student Government with the advice and consent of the student assembly; one student appointed by the President of the Council of Graduate Students with the advice and consent of that council; one student appointed by the President of the Inter-Professional Council with the advice and consent of that council.
- c. The Vice President for Student Services; and 5 staff members chosen as follows: The Director, Ohio Unions; the Program Director, Ohio Unions; the Recreation Director, Ohio Unions; one Residence Halls Staff Representative; one Student Organizations Staff Representative. The Staff members of the Ohio Unions Council shall be appointed for a term of two years by the Vice President for Student Services.
- d. Four faculty members. The faculty members shall be appointed for a term of two years by the Vice President for Student Services after consultation with the Provost.
- e. Two Alumni members designated by The Ohio State University Association for a term of three years under such procedures as the Association shall adopt.

The faculty and alumni members shall not serve more than two consecutive terms on the Council.

---

\*Rule initiated by Board of Trustees

Rules of the University Faculty (continued)

54.05. The Ohio Unions Council. (continued)

Subject to the general authority of the President and the Board of Trustees, the Ohio Unions Council shall establish the program policies of the Ohio Unions and shall assist in the development of all of their student activities programs. It may advise the Director on other matters pertaining to the operation of the Ohio Unions, but the Council shall not serve in an administrative or executive capacity.

The President of the Ohio-Drake Unions Activities Board shall serve as Chairman of the Ohio Unions Council; the Director, Ohio Unions, shall serve as the Executive Secretary of the Ohio Unions Council. (B/T 9/7/59, B/T 2/9/67, B/T 11/9/67, B/T 12/3/71)

- o -

July 11, 1975 meeting, Board of Trustees

I. GENERAL RECOMMENDATIONS (continued)

C. Distinguished Service Awards and Degrees and Certificates--Summer Quarter Commencement (continued)

President Enarson recommended that degrees and certificates be conferred at the Summer Quarter Commencement Convocation on August 29, 1975, to those students who have completed the requirements for their respective degrees and certificates and are recommended by the University Senate. Since the College of Dentistry operates on a twelve-month basis, the Convocation for this College will be held on September 19, 1975, in a special ceremony in Mershon Auditorium. The names of those awarded degrees and certificates will be included in the minutes of this meeting. (See Appendix I, page 95.)

Upon motion of Mr. Harrod, seconded by Dr. Sirak, the Board of Trustees approved the foregoing recommendation by unanimous voice vote.

D. Revision of By-Laws of the Inter-University Council of Ohio

At the June 16, 1975 meeting of the Inter-University Council, the By-Laws of this organization were recommended for revision. Each Board of Trustees of the participating state-assisted institutions of higher learning in Ohio has been asked to ratify these By-Laws.

President Enarson recommended that these By-Laws which become operative upon ratification by the participating state-assisted institutions of higher education in Ohio be approved by the Board of Trustees of The Ohio State University.

Upon motion of Mr. Devenow, seconded by Mr. Harrod, the Board of Trustees approved the foregoing recommendation by unanimous voice vote.

\*

\*

\*

II. PERSONNEL ACTIONS

Personnel actions since the June 6, 1975 meeting of the Board as recorded in the official "Salary Roll" of the University, include the following Appointments, Leaves of Absence Without Salary and Emeritus Titles:

A. Appointments

Madison H. Scott, Vice President for Personnel Services, effective immediately, at a salary of \$38,568.00 per annum.

BY-LAWS OF THE  
INTER-UNIVERSITY COUNCIL OF OHIO

ARTICLE I

Name

The name of this voluntary educational association shall be the Inter-University Council of Ohio.

ARTICLE II

Purpose

The purpose of the Council shall be to advance higher education in Ohio by all appropriate means and to interrelate action among the participating public institutions of Ohio in all matters of policy or practice which concern more than one of the institutions; through the Council the participating public universities shall cooperate closely, placing common goals above conflicting institutional preferences yet preserving maximum recognition of independence and existing diversity of each; and the Council shall cooperate with the Ohio Board of Regents in joint planning and development of educational policy, in designing cooperative strategies for cultivating public understanding and support, in coordinating and implementing public policy, and in ensuring the representational interests of the public universities, through the Ohio Board of Regents, for the wider planning functions for public post-secondary education in the state.

ARTICLE III

Members

The Council shall consist of the President and one Board Member of the University of Akron, Bowling Green State University, Central State University, University of Cincinnati, Cleveland State University, Kent State University, Medical College of Ohio at Toledo, Miami University, Ohio State University, Ohio University, University of Toledo, Wright State University, and Youngstown State University, and such other state-assisted institutions hereafter approved by amendment to these By-Laws. If at any time a participating institution is without a president, the acting president shall serve as a member of the Council until the designation of a president. Each Board Member serving on the Council shall be designated by the Board of the participating institution, to serve until a successor is named.

ARTICLE IV

Officers

Section 1. Appointment to Office. Officers of the Council shall be: Chairman, Vice Chairman, and Executive Secretary. Following the order established in Article III, the office of the Chairman shall be rotated yearly among the

By-Laws of the Inter-University Council of Ohio (continued)

presidents of the participating institutions, provided that no one shall be eligible who has not served a minimum of two years as president or acting president of his institution. The institutional president next succeeding to chairmanship of the Council shall serve as Vice Chairman. The Executive Secretary shall be employed by the Council and shall serve at its pleasure.

Section 2. Terms of Office. The terms of office of the Chairman and Vice Chairman shall run from July 1 to June 30.

Section 3. Secretariat. The Office of the Executive Secretary shall be staffed in such ways as may be prescribed from time to time or as required by the Chairman.

ARTICLE V

Meetings

Section 1. Schedule of Meetings. There shall be at least quarterly meetings supplemented by such additional meetings as are deemed necessary. Special meetings shall be called by the Chairman of the Council, or upon request by any two Presidents or Board Members.

Section 2. Notice of Meetings. The Executive Secretary shall furnish each member of the Council with written notice of each regular or special meeting, giving details of time, place, and agenda.

Section 3. Agenda for Meetings. The agenda for each meeting shall be determined in advance by the Council Chairman in consultation with the Executive Secretary.

Section 4. Place of Meetings. The place of meetings shall be decided by common consent.

Section 5. Conduct of Meetings. The Chairman of the Council shall preside at all meetings which he attends. In his absence, the Vice Chairman shall preside; or failing him, the Chairman pro tem shall be elected from among those present after the meeting has been called to order by the Executive Secretary. The Executive Secretary shall attend all sessions unless instructed otherwise by the Council.

Section 6. Alternates. Council members shall notify the Executive Secretary if unable to attend the next called meeting. A President unable to be present may be represented by a Vice President or other administrative official; a Board Member unable to attend may designate a fellow Board Member as a representative. Representatives so designated shall be counted in determining the existence of a quorum, may initiate and second motions, and shall have the power to vote.

Section 7. Minutes of the Meetings. The Executive Secretary shall provide for the recording of the minutes of all meetings of the Council, shall furnish true copies to all Council members, and shall maintain at the office of the Secretariat a full and accurate file of all minutes.

By-Laws of the Inter-University Council of Ohio (continued)

ARTICLE VI

Committees

Section 1. The Council may in its work employ standing or ad hoc committees at its discretion. Committee personnel shall be appointed by the Chairman of the Council from Council members or, upon nomination of the respective Presidents, from the staff of each institution.

Section 2. There shall be an executive committee comprised of the Chairman, Vice Chairman, and three other members of the Council selected at large to include two (2) trustees and one (1) president. The Executive Secretary will serve the committee ex officio.

Section 3. The standing committees will be determined by the Council and serve at its pleasure. A current listing of such committees will be kept contemporary by the Executive Secretary as approved or dissolved by the Council.

ARTICLE VII

Financing

Section 1. Method. The financing of the Secretariat provided in Article IV, standing committees, and any other expenditures receiving Council approval shall be by yearly assessments laid upon the member institutions in proportion to their respective state appropriations for operating expenses.

Section 2. Budget. The Executive Secretary shall, for each ensuing year, prepare for submission to the Council a budget of estimated expenditures for the Secretariat. The Council shall approve the submission with such modifications as it deems to be required.

Section 3. Assessments. The chief fiscal officers of the participating universities shall, upon approval by the Council of the budget for the Secretariat and any other expenditures necessary to fulfill the objectives of the Council, determine the assessments to be made upon each participating institution and bill the chief financial officers thereof.

ARTICLE VIII

Procedural Jurisdiction

Section 1. Request for an Opinion of the Attorney General. Before any institution represented in the Council makes a submission to the Ohio Attorney General for legal opinion, formal or informal, the initiating member shall notify the Executive Secretary of the Council who shall immediately advise all other members of the pending problem and proposed request.

By-Laws of the Inter-University Council of Ohio (continued)

Section 2. Pending or Proposed Legislation. Pending or proposed legislation affecting more than one of the represented institutions shall be reviewed by the Council before any public position is taken on such legislation by and on behalf of any of the separate institutions.

ARTICLE IX

Formal Action

Section 1. Council Action. In all matters eventuating in formal action, each attending member shall have one vote. On matters other than routine action, the Council shall work to achieve unanimity. Each participating institution shall seek to avoid any form of commitment or understanding which compromises the tentative Council decision. Failing efforts to achieve unanimity, a minimum of a two-thirds vote of the members present shall be necessary for the proposition to prevail. Decisions both as to policy and practice shall be formulated and implemented in such manner as to permit the greatest degree of institutional freedom consistent with effective realization of actions taken.

Section 2. Board Action. Decisions of the Council are necessarily advisory in character, to be transmitted as recommendations to the boards of trustees and boards of directors of the institutions represented in the Council. Council decisions reached after full deliberation, however, shall be accorded a heavy presumption of validity by the respective boards of trustees as to the educational issues involved.

Section 3. Parliamentary Authority. The current edition of Robert's Rules of Order shall govern Council proceedings in all circumstances in which they are applicable but not inconsistent with the By-Laws of the Council.

ARTICLE X

Amendment of By-Laws

These By-Laws can be amended at any regular meeting of the Council according to the provisions of Article IX, provided that the amendment has been submitted in writing by a mover and two seconds and has been distributed with the required notice of the meeting.

ARTICLE XI

Schedule

These By-Laws shall become operative, displacing the Constitution and By-Laws adopted January 5, 1962 and amended October 1966, immediately upon their ratification by the last of the participating state-assisted institutions of higher education in Ohio.

July 11, 1975 meeting, Board of Trustees

II. PERSONNEL ACTIONS (continued)

A. Appointments (continued)

Berlie L. Schmidt from Professor, Department of Agronomy (part time 10 per cent) and Professor, Cooperative Extension Service (part time 10 per cent), to Professor and Chairman, Department of Agronomy (part time 50 per cent), and Professor, Cooperative Extension Service (part time 20 per cent), effective July 1, 1975, at a salary of \$23,856.00 per annum. Dr. Schmidt will hold an academic appointment at the Ohio Agricultural Research and Development Center for 30 per cent time in the Department of Agronomy.

Phyllis J. Bailey, Assistant Director of Athletics in the Department of Athletics, effective July 1, 1975, at a salary of \$21,408.00 per annum.

William V. Merriman, Director of Communications, Office of Public Affairs, effective August 4, 1975, at a salary of \$21,528.00 per annum.

M. Frederic Volkmann, Director of University Publications, Office of Public Affairs, effective August 15, 1975, at a salary of \$23,088.00 per annum.

B. Leaves of Absence Without Salary

John C. Burnham, Professor, Department of History, effective October 1, 1975 through March 31, 1976, to accept a research grant from the National Library of Medicine.

Robert E. Jacobson, Professor, Department of Agricultural Economics and Rural Sociology, effective September 1, 1975 through August 31, 1976, to serve as Visiting Professor at the University of California, Department of Agricultural Economics, Davis, California.

William B. Johnson, Professor, Department of Mathematics, effective October 1, 1975 through December 31, 1975, to accept a Visiting Professorship at the University of Texas, Austin.

Jerrold R. Voss, Professor and Chairman, Department of City and Regional Planning, School of Architecture, effective September 1, 1975 through August 31, 1976, to serve as Project Manager of a United Nations Regional Project involving nine Asian governments, to work out policies and programs in the environmental field.



July 11, 1975 meeting, Board of Trustees

II. PERSONNEL ACTIONS (continued)

B. Leaves of Absence Without Salary (continued)

Richard M. Wilson, Professor, Department of Mathematics, effective January 1, 1976 through March 31, 1976, to conduct research under a Sloan Foundation Research Fellowship at the California Institute of Technology, Pasadena.

Andrew Wojcicki, Professor, Department of Chemistry, effective October 1, 1975 through December 31, 1975, and April 1, 1976 through June 30, 1976, to conduct research under Humboldt and Guggenheim Fellowships in Germany and England.

Carl C. Schlam, Associate Professor, Department of Classics, effective April 1, 1976 through June 30, 1976, to serve as Visiting Professor of Classical Literature and Cultural History at the University of Haifa.

Bert K. Waits, Associate Professor, Department of Mathematics, effective January 1, 1976 through June 30, 1976, to serve as Visiting Associate Professor of Mathematics at Oregon State University, Corvallis, Oregon.

John C. Weicher, Associate Professor, Department of Economics, effective October 1, 1975 through September 30, 1976, to serve as Deputy Assistant Secretary for Economic Affairs, U. S. Department of Housing and Urban Development.

Stephen F. Dale, Assistant Professor, Department of History, effective October 1, 1975 through December 31, 1975, to conduct research in Portuguese archives, and April 1, 1976 through June 30, 1976, to conduct research in India.

Patrick Ewing, Assistant Professor, Department of Mathematics, effective October 1, 1975 through September 30, 1976, to serve as Visiting Assistant Professor of Mathematics, University of Montana, Missoula, Montana.

Frederick L. Snider, Assistant Professor, Department of History, effective October 1, 1975 through September 30, 1976, to accept a Research Grant from the Graduate School and a Fellowship from the International Research and Exchanges Board to do research in Czechoslovakia.

July 11, 1975 meeting, Board of Trustees

II. PERSONNEL ACTIONS (continued)

B. Leaves of Absence Without Salary (continued)

Marilyn R. Waldman, Assistant Professor, Department of History, effective January 1, 1976 through June 30, 1976, to accept a grant from the American Council of Learned Societies and the Social Science Research Council.

Richard A. Windsor, Assistant Professor, School of Health, Physical Education, and Recreation, effective October 1, 1975 through September 30, 1976, to pursue a program of professional improvement.

Norleen Ackerman, Instructor, School of Home Economics, effective July 1, 1975 through June 30, 1976, to pursue a program of professional improvement at Michigan State University, Lansing, Michigan.

Wanema C. Flasher, Instructor, Cooperative Extension Service, effective September 15, 1975 through November 30, 1975, to pursue a program of professional improvement.

Marcia A. Mallett, Instructor, Cooperative Extension Service, effective August 1, 1975 through December 31, 1975, for personal reasons.

John D. Rohrer, Instructor, Cooperative Extension Service, effective February 1, 1976 through June 15, 1976, to engage in a program of professional improvement.

Robert L. Romig, Instructor, Cooperative Extension Service, effective June 16, 1975 through August 31, 1975, to engage in a program of professional improvement.

Jean M. Swaino, Instructor, Agricultural Technical Institute, effective July 1, 1975 through September 7, 1975, to engage in a program of professional improvement.

Elaine M. Vitello, Instructor, School of Health, Physical Education, and Recreation, effective October 1, 1975 through September 30, 1976, to engage in a program of professional improvement.

July 11, 1975 meeting, Board of Trustees

II. PERSONNEL ACTIONS (continued)

C. Emeritus Titles

Jay P. Slesman, Cooperative Extension Service, with the title Professor Emeritus, effective July 1, 1975.

Gwendoline Bellam, School of Nursing, with the title Associate Professor Emeritus, effective July 1, 1975.

Raymond L. Cummins, College of Dentistry, with the title Associate Professor Emeritus, effective July 1, 1975.

Edward S. Chapman, College of Dentistry, with the title Assistant Professor Emeritus, effective July 1, 1975.

Harvey D. Wright, Department of Ophthalmology, with the title Instructor Emeritus, effective July 1, 1975.

D. Department Chairman Designation

E. Leonard Jossem, Chairman, Department of Physics, effective October 1, 1975 through September 30, 1979.

President Enarson recommended that the Appointments, Leaves of Absence Without Salary, Emeritus Titles, Department Chairman Designation, and personnel budget actions as recorded in the "Salary Roll" of the University be approved.

Upon motion of Dr. Jacob, seconded by Dr. Sirak, the Board of Trustees approved the foregoing recommendation by unanimous roll call vote, and the Secretary was instructed to file these changes in the "Salary Roll," an official document of the University.

\*

\*

\*

July 11, 1975 meeting, Board of Trustees

III. REPORT OF RESEARCH CONTRACTS, GRANTS, GIFTS, AND AGREEMENTS

President Enarson recommended that the following contracts and grants negotiated and monies received for the month of May 1975 be accepted.

Summary for May 1975

	No. of Projects	Support Level
Office of Business and Administration	43	\$2,348,805.00
The Ohio State University Research Foundation	51	1,512,147.81
The Engineering Experiment Station	4	<u>63,346.00</u>
		\$3,924,298.81
The Ohio State University Development Fund	5,138 Donors	\$1,718,017.59

A detailed listing of the items in each section is shown on the following pages.

Upon motion of Dr. Sirak, seconded by Mrs. James, the research agreements between The Ohio State University and The Ohio State University Research Foundation for the contracts and grants reported herein, and the acceptance of the report from the Office of Business and Administration and The Ohio State University Development Fund, including the establishment of named funds and a named professorship, were approved by unanimous voice vote.

July 11, 1975 meeting, Board of Trustees

III. REPORT OF RESEARCH CONTRACTS, GRANTS, GIFTS, AND AGREEMENTS  
(continued)

A. Office of Business and Administration

1. Federal Contracts/Grants

- a. \$217,000.00 from Department of Health, Education, and Welfare, Office of Education, Grant and Procurement Management Division, Washington, D. C., for Continued Development of Individualized and Field-Based Preparation Programs for Personnel Serving the Handicapped, under the direction of Academic Faculty for Exceptional Children, for period June 1, 1974 through May 31, 1976. (Grant No. G007402749, Revision No. 1)
- b. \$169,302.00 from Department of Health, Education, and Welfare, Office of Education, Grant and Procurement Management Division, Washington, D. C., for Mini Conferences: Seeking Consensus on the Scope and Sequence for K - 12 Career Education, under the direction of Center for Vocational Education, for period July 1, 1975 through June 30, 1976. (Grant No. G007502298)
- c. \$143,387.00 from National Institute of Law Enforcement and Criminal Justice, Washington, D. C., for Prevention of Juvenile Delinquency, Phase I NEP, under the direction of Center for Vocational Education, for period April 21, 1975 through November 21, 1975. (Award No. 75NI-99-0089)
- d. \$134,974.00 from Department of Health, Education, and Welfare, Region V, OHD, Office of Rehabilitation Services, Chicago, Illinois, for UAF Administration and Operation - Developmental Disabilities, under the direction of Nisonger Center for Mental Retardation, for period June 30, 1975 through June 29, 1976. (Grant No. 59-P-25294/5-04)
- e. \$130,823.00 from Department of Health, Education, and Welfare, Office of Education, Grant and Procurement Management Division, Washington, D. C., for A Comprehensive Career Guidance, Counseling, Placement, and Follow-Through System for Rural (Small) Schools, under the direction of Center for Vocational Education, for period July 1, 1975 through December 31, 1976. (Grant No. G007501231)
- f. \$115,100.00 from Department of Health, Education, and Welfare, Public Health Service, National Institute of Dental Research, Bethesda, Maryland, for Research and Faculty Training in Dental Anesthesiology - Training Grant, under the direction of College of Dentistry, for period July 1, 1975 through June 30, 1976. (Grant No. 5 T01 DE00291-04)

July 11, 1975 meeting, Board of Trustees

III. REPORT OF RESEARCH CONTRACTS, GRANTS, GIFTS, AND AGREEMENTS  
(continued)

A. Office of Business and Administration (continued)

1. Federal Contracts/Grants (continued)

- g. \$90,552.00 from Department of Health, Education, and Welfare, Public Health Service, Division of Cancer Research Resources and Centers, National Cancer Institute, Bethesda, Maryland, for Clinical Cancer Education Program - Research Grant, under the direction of Department of Surgery, for period July 1, 1975 through June 30, 1976. (Grant No. 1 R25 CA18016-01)
- h. \$83,392.00 from Department of Health, Education, and Welfare, Public Health Service, National Institute of Neurological and Communicative Disorders and Stroke, Bethesda, Maryland, for Otolaryngology and Audiology - Training Grant, under the direction of Department of Otolaryngology, for period July 1, 1975 through June 30, 1977. (Grant No. 5 T01 NS05397-13)
- i. \$79,000.00 from Department of Health, Education, and Welfare, Office of Education, Grant and Procurement Management Division, Washington, D. C., for Development of Competency Based Instructional Materials for Local Vocational Education Administrators, under the direction of Center for Vocational Education, for period July 1, 1975 through December 31, 1976. (Grant No. G007501702)
- j. \$79,000.00 from Department of Health, Education, and Welfare, Office of Education, Grant and Procurement Management Division, Washington, D. C., for Methods of Implementing Vocational Education Exemplary Programs in Local School Districts, under the direction of Center for Vocational Education, for period July 1, 1975 through September 30, 1976. (Grant No. G007501704)
- k. \$70,638.00 from Department of Health, Education, and Welfare, Public Health Service, National Institute of Mental Health, Bethesda, Maryland, for Clinical Psychology - Training Grant, under the direction of Department of Psychology, for period July 1, 1975 through June 30, 1976. (Grant No. 2 T01 MH05061-29)
- l. \$61,967.00 from Department of Health, Education, and Welfare, Public Health Service, Bethesda, Maryland, for Mental Retardation Training, under the direction of Nisonger Center for Mental Retardation, for period July 1, 1974 through June 30, 1975. (Project I. D. No. MCT-000922-08-0)

July 11, 1975 meeting, Board of Trustees

III. REPORT OF RESEARCH CONTRACTS, GRANTS, GIFTS, AND AGREEMENTS  
(continued)

A. Office of Business and Administration (continued)

1. Federal Contracts/Grants (continued)

- m. \$57,710.00 from Department of Health, Education, and Welfare, Public Health Service, National Institute of Arthritis, Metabolism and Digestive Diseases, Bethesda, Maryland, for Endocrinology and Metabolism - Training Grant, under the direction of Department of Medicine, for period July 1, 1975 through June 30, 1976. (Grant No. 5 T01 AM05118-19)
- n. \$56,817.00 from Department of Health, Education, and Welfare, Public Health Service, National Institute of Neurological and Communicative Disorders and Stroke, Bethesda, Maryland, for Postdoctoral Training in Neurological Surgery - Training Grant, under the direction of Department of Surgery, for period July 1, 1975 through June 30, 1976. (Grant No. 5 T01 NS05529-10)
- o. \$55,173.00 from Department of Health, Education, and Welfare, Public Health Service, National Institute of Child Health and Human Development, Bethesda, Maryland, for Interdisciplinary Training in Developmental Biology, under the direction of Department of Microbiology, for period July 1, 1975 through June 30, 1976. (Grant No. 5 T01 HD00431-02)
- p. \$55,116.00 from Department of Health, Education, and Welfare, Public Health Service, Division of Cancer Research Resources and Centers, National Cancer Institute, Bethesda, Maryland, for Oncology Training Program - Training Grant, under the direction of Department of Medicine, for period July 1, 1975 through June 30, 1976. (Grant No. 5 T01 CA05192-08)
- q. \$54,491.00 from Department of Health, Education, and Welfare, Division of Associated Health Professions, Bethesda, Maryland, for Cost Analysis of Ten Allied Health Education Programs, under the direction of School of Allied Medical Professions, for period July 1, 1975 through June 30, 1976. (Grant No. 1 D12 AH00730-01)
- r. \$52,311.00 from Department of Health, Education, and Welfare, Division of Associated Health Professions, Bethesda, Maryland, for Clinical Education Coordination - Training Grant, under the direction of School of Allied Medical Professions, for period July 1, 1975 through June 30, 1976. (Grant No. 1 D12 AH00729-01)

July 11, 1975 meeting, Board of Trustees

III. REPORT OF RESEARCH CONTRACTS, GRANTS, GIFTS, AND AGREEMENTS  
(continued)

A. Office of Business and Administration (continued)

1. Federal Contracts/Grants (continued)

- s. \$43,396.00 from Department of Health, Education, and Welfare, Public Health Service, National Institute of Mental Health, Bethesda, Maryland, for Social Work Education for Community Mental Health - Training Grant, under the direction of School of Social Work, for period July 1, 1975 through June 30, 1976. (Grant No. 5 T01 MH13626-02)
- t. \$43,185.00 from Department of Health, Education, and Welfare, Division of Associated Health Professions, Bethesda, Maryland, for Hospital and Health Services Administration, under the direction of University Hospitals, for period July 1, 1975 through June 30, 1976. (Grant No. 1 A04 AH02050-01)
- u. \$30,000.00 from Department of Health, Education, and Welfare, Office of Education, Grant and Procurement Management Division, Washington, D. C., for Special Education Component in University Affiliated Facility, under the direction of Nisonger Center for Mental Retardation, for period June 1, 1974 through May 31, 1976. (Grant No. G007402731)
- v. \$29,060.00 from Department of Health, Education, and Welfare, Public Health Service, National Institute of Mental Health, Bethesda, Maryland, for Social Work Doctoral Program - Training Grant, under the direction of School of Social Work, for period July 1, 1975 through June 30, 1976. (Grant No. 5 T01 MH11981-07)
- w. \$28,000.00 from Department of Health, Education, and Welfare, Office of Education, Grant and Procurement Management Division, Washington, D. C., for An Interdisciplinary Graduate Program in Physical Education, with Specialization in Adopted Physical Education Planned in Association with a University Affiliated Facility, under the direction of School of Health, Physical Education, and Recreation, for period June 1, 1974 through May 31, 1976. (Grant No. G007402660)
- x. \$25,230.00 from Department of Health, Education, and Welfare, Public Health Service, National Institute of Mental Health, Bethesda, Maryland, for Social Psychology - Training Grant, under the direction of Department of Psychology, for period July 1, 1975 through June 30, 1976. (Grant No. 5 T01 MH12349-05)



July 11, 1975 meeting, Board of Trustees

III. REPORT OF RESEARCH CONTRACTS, GRANTS, GIFTS, AND AGREEMENTS  
(continued)

A. Office of Business and Administration (continued)

1. Federal Contracts/Grants (continued)

- y. \$24,882.00 from Department of Health, Education, and Welfare, Public Health Service, Division of Cancer Research Resources and Centers, National Cancer Institute, Bethesda, Maryland, for Clinical Cancer Education Program - Dental - Research Grant, under the direction of College of Dentistry, for period July 1, 1975 through June 30, 1976. (Grant No. 1 R25 CA17999-01)
- z. \$22,430.00 from Department of Health, Education, and Welfare, Public Health Service, National Institute of Mental Health, Bethesda, Maryland, for Research Training Physiological Psychology - Training Grant, under the direction of Department of Psychology, for period July 1, 1975 through June 30, 1976. (Grant No. 5 T01 MH06748-18)
- aa. \$15,712.00 from Department of Health, Education, and Welfare, Public Health Service, National Institute of Mental Health, Bethesda, Maryland, for Undergraduate Psychiatric Nursing - Training Grant, under the direction of School of Nursing, for period July 1, 1975 through June 30, 1976. (Grant No. 5 T02 MH06375-19)
- bb. \$14,563.00 from Department of Health, Education, and Welfare, Public Health Service, National Institute of Mental Health, Bethesda, Maryland, for Clinical Psychology - Training Grant, under the direction of Department of Psychiatry, for period July 1, 1975 through June 30, 1976. (Grant No. 5 T01 MH10778-09)
- cc. \$10,000.00 from Department of Health, Education, and Welfare, Office of Education, Washington, D. C., for Higher Education Act, Title IX-B, College Teacher Fellowships, under the direction of Graduate School, for period September 1, 1975 through August 31, 1976. (Grant No. G00-75-00606)

TOTAL - Federal Contracts/Grants \$1,993,211.00

2. State of Ohio Contracts/Grants

- a. \$100,000.00 from State of Ohio, Department of Mental Health and Mental Retardation, Division of Mental Retardation and Developmental Disabilities, Columbus, Ohio, for Nisonger Continuing Education Programs, under the direction of Nisonger Center for Mental Retardation, for period July 1, 1975 through June 30, 1976.

July 11, 1975 meeting, Board of Trustees

III. REPORT OF RESEARCH CONTRACTS, GRANTS, GIFTS, AND AGREEMENTS  
(continued)

A. Office of Business and Administration (continued)

2. State of Ohio Contracts/Grants (continued)

- b. \$100,000.00 from State of Ohio, Department of Mental Health and Mental Retardation, Division of Mental Retardation and Developmental Disabilities, Columbus, Ohio, for Legal Affairs and Technical Assistance System, under the direction of College of Law, for period July 1, 1975 through June 30, 1976.
- c. \$37,500.00 from State of Ohio, Department of Natural Resources, Columbus, Ohio, for Environmental Evaluation of a Nuclear Power Plant on Lake Erie, under the direction of College of Biological Sciences, for period May 30, 1975 through May 31, 1976. (Project No. F-41-R-7)
- d. \$31,971.00 from State of Ohio, Department of Education, Columbus, Ohio, for The Development of Entrepreneurs Through Vocational Education, under the direction of Center for Vocational Education, for period May 1, 1975 through August 31, 1975.
- e. \$21,777.00 from State of Ohio, Department of Education, Division of Federal Assistance, Columbus, Ohio, for A Teacher Training Workshop in Adult Basic Education, under the direction of Academic Faculty of Vocational-Technical Education, for period July 14-25, 1975.
- f. \$8,600.00 from State of Ohio, Department of Natural Resources, Division of Wildlife, Columbus, Ohio, for a research project entitled "Survey of Rural Landowner Attitudes Toward Wildlife Management," under the direction of College of Biological Sciences, for period July 1, 1975 through June 30, 1976. (Federal Aid Project No. W-126-R-2)
- g. \$3,953.00 from State of Ohio, Department of Education, Columbus, Ohio, for an in-service workshop for twenty participants, under the direction of Academic Faculty of Industrial Technology, for period June 16-20, 1975.

TOTAL - State of Ohio Contracts/Grants \$303,801.00

3. Industrial and Other Contracts/Grants

- a. \$23,800.00 from Charles F. Kettering Foundation, Dayton, Ohio, for designing educational strategies for Columbus metropolitan schools which will lead to the development and testing of materials based on Columbus in the World: the World in Columbus, under the direction of Mershon Center for Education in National Security, for period July 1, 1975 through June 30, 1976. (No. IA275-109)

July 11, 1975 meeting, Board of Trustees

III. REPORT OF RESEARCH CONTRACTS, GRANTS, GIFTS, AND AGREEMENTS  
(continued)

A. Office of Business and Administration (continued)

3. Industrial and Other Contracts/Grants (continued)

- b. \$11,631.00 from Holland College, Charlottetown, Prince Edward Island, for adaptation, utilization, and evaluation of performance based vocational teacher education curricula, under the direction of Center for Vocational and Technical Education. (Purchase Order No. 10663, dated May 16, 1975)
- c. \$6,500.00 from The Women's Resource and Policy Development Center, Academy for Contemporary Problems, Columbus, Ohio, for the development of a curriculum and materials for pre-vocational and specialized training of fifty women in five skilled trade categories, under the direction of Center for Vocational Education.
- d. \$4,522.00 from The Ohio Program in the Humanities, Columbus, Ohio, for The Ohio State University - Newark, under the direction of Newark Regional Campus, for period April 1, 1975 through June 30, 1975. (Project No. OPH-75-139)
- e. \$3,000.00 from Board of Education, Parma City School District, Parma, Ohio, for Third Party Evaluation of the Career Development Program, under the direction of Center for Vocational Education. (Purchase Orders Nos. 1718, 1719, 1720)
- f. \$1,575.00 from The Ohio Program in the Humanities, Columbus, Ohio, for The Boyd H. Bode Memorial Lecture Committee, under the direction of Academic Faculty of Curriculum and Foundations, for period June 1, 1975 through July 31, 1975. (Project No. OPH-75-172)
- g. \$765.00 from Ohio Advisory Council for Vocational Education, Columbus, Ohio, for a Reanalysis and Reformatting of the Results of the Vocational School Enrollments, under the direction of Center for Vocational Education, for period July 1, 1975 through August 31, 1975.

TOTAL - Industrial and Other Contracts/Grants \$51,793.00

July 11, 1975 meeting, Board of Trustees

III. REPORT OF RESEARCH CONTRACTS, GRANTS, GIFTS, AND AGREEMENTS  
(continued)

B. The Ohio State University Research Foundation

1. Federal Research Contracts/Grants

- a. \$132,398.00 additional funds from Department of Transportation, Federal Highway Administration, Washington, D. C., for Field Test and Evaluation Center for Eastern States - Reference Skid Measurement System - Design and Drawings, under the direction of Engineering Experiment Station. (Project 3535-C1 - Mod. #11 and #12)
- b. \$125,000.00 from National Science Foundation, Washington, D. C., for Nuclear Physics Research with a 5.5 MeV Van de Graaff Accelerator, under the direction of Department of Physics, for period May 1, 1974 through October 31, 1976. (Project 3938-A1 - NSF letter dated April 25, 1975)
- c. \$92,460.00 from Department of Health, Education, and Welfare, Public Health Service, National Institutes of Health, National Institute of Dental Research, Bethesda, Maryland, for Research Study on the Efficacy of Enzyme-Free Antigens in Anti-Caries Vaccines, under the direction of College of Dentistry, for period June 1, 1975 through May 31, 1978. (Project 4171-A1 - New)
- d. \$84,264.00 from Department of Health, Education, and Welfare, Public Health Service, National Institutes of Health, National Cancer Institute, Bethesda, Maryland, for A Regional Ambulatory Cancer Chemotherapy Program, under the direction of Department of Medical Administration, for period May 1, 1975 through April 30, 1976. (Project 4181-A1 - New)
- e. \$69,106.00 from National Aeronautics and Space Administration, Langley Research Center, Hampton, Virginia, for An Investigation of the Aerodynamic Characteristics of a New General Aviation Airfoil in Flight, under the direction of Department of Aeronautical and Astronautical Engineering, for period May 1, 1975 through October 31, 1975. (Project 4173-A1 - New)
- f. \$68,736.00 from Department of Health, Education, and Welfare, Public Health Service, National Institutes of Health, National Institute of Allergy and Infectious Diseases, Bethesda, Maryland, for A Model of Parainfectious Demyelinating Encephalitis, under the direction of Department of Veterinary Pathobiology, for period May 1, 1975 through April 30, 1976. (Project 2797-F - Ext. #6)
- g. \$57,307.00 from Department of Transportation, Federal Aviation Administration, Washington, D. C., for Guide to Drug Hazards in Aviation Medicine, under the direction of Department of Preventive Medicine, for period May 13, 1975 through May 12, 1976. (Project 4186-A1 - New)

July 11, 1975 meeting, Board of Trustees

III. REPORT OF RESEARCH CONTRACTS, GRANTS, GIFTS, AND AGREEMENTS  
(continued)

B. The Ohio State University Research Foundation (continued)

1. Federal Research Contracts/Grants (continued)

- h. \$49,343.00 from Department of Health, Education, and Welfare, Public Health Service, National Institutes of Health, National Institute of General Medical Sciences, Bethesda, Maryland, for Mechanisms of Mitochondrial Transmission Genetics, under the direction of Department of Genetics, for period June 1, 1975 through May 31, 1976. (Project 3720-A3 - Ext. #2)
- i. \$48,000.00 from U. S. Energy Research and Development Administration, Argonne, Illinois, for Fundamental Studies of Metal Fluorination Reactions, under the direction of Department of Metallurgical Engineering, for period May 1, 1975 through April 30, 1976. (Project 4178-A1 - New)
- j. \$43,613.00 from U. S. Environmental Protection Agency, Washington, D. C., for Propagation of Insect Viruses in Cultured Insect Cells, under the direction of Department of Entomology, for period July 23, 1975 through July 22, 1976. (Project 3745-A3 - Mod. #1)
- k. \$42,802.00 from Department of Health, Education, and Welfare, Public Health Service, National Institutes of Health, National Institute of General Medical Sciences, Bethesda, Maryland, for Spectroelectrochemistry of Bio-Electron Transfers, under the direction of Department of Chemistry, for period June 1, 1975 through May 31, 1976. (Project 3359-A4 - Ext. #3)
- l. \$40,000.00 from National Science Foundation, Washington, D. C., for Coding and Capacity Allocation in Human Information Processing, under the direction of Department of Psychology, for period May 1, 1975 through April 30, 1977. (Project 4168-A1 - New)
- m. \$38,120.00 additional funds from Department of Health, Education, and Welfare, Office of Child Health and Human Development, Washington, D. C., for Structure and Performance of Programs of Child Abuse and Neglect, under the direction of Mershon Center for Education in National Security. (Project 3969-A1 - Supplement #1 dated April 22, 1975)
- n. \$33,308.00 from Department of Health, Education, and Welfare, Public Health Service, National Institutes of Health, National Institute of Allergy and Infectious Diseases, Bethesda, Maryland, for Antimicrobial Principles of Porophyllum Lanceolatum, under the direction of College of Pharmacy, for period June 1, 1975 through May 31, 1976. (Project 4185-A1 - New)

July 11, 1975 meeting, Board of Trustees

III. REPORT OF RESEARCH CONTRACTS, GRANTS, GIFTS, AND AGREEMENTS  
(continued)

B. The Ohio State University Research Foundation (continued)

1. Federal Research Contracts/Grants (continued)

- o. \$32,400.00 from U. S. Department of Agriculture, Peoria, Illinois, for Epidemiology and Intestinal Biochemistry of Calf Scours, under the direction of Department of Veterinary Pathobiology, for period May 2, 1975 through November 1, 1976. (Project 4182-A1 - New)
- p. \$28,915.00 from Department of Health, Education, and Welfare, Public Health Service, National Institutes of Health, National Institute of General Medical Sciences, Bethesda, Maryland, for Development of New Assays for Enzymes and Inhibitors, under the direction of College of Pharmacy, for period April 1, 1975 through March 31, 1976. (Project 2791-F - Ext. #6)
- q. \$18,228.00 from Department of Health, Education, and Welfare, Public Health Service, National Institutes of Health, National Eye Institute, Bethesda, Maryland, for Effects of Refractive Error in Single Cell Coding, under the direction of College of Optometry, for period May 1, 1975 through April 30, 1976. (Project 3918-A2 - Ext. #1)
- r. \$17,968.00 from Department of Health, Education, and Welfare, Public Health Service, National Institutes of Health, National Institute of General Medical Sciences, Bethesda, Maryland, for Synthesis of B-Glycosyl Nucleotides, under the direction of Department of Biochemistry, for period June 1, 1975 through May 31, 1976. (Project 3876-A2 - Ext. #1)
- s. \$17,020.00 from Department of Health, Education, and Welfare, Public Health Service, National Institutes of Health, National Eye Institute, Bethesda, Maryland, for Iris Color and Ocular Drug Effects, under the direction of College of Pharmacy, for period June 1, 1975 through May 31, 1976. (Project 4189-A1 - New)
- t. \$15,800.00 from National Science Foundation, Washington, D. C., for Coriolis-Force Modifications of the Blocking Phenomenon in the Flow of a Stratified Fluid, under the direction of Department of Aeronautical and Astronautical Engineering, for period June 1, 1975 through May 31, 1976. (Project 4180-A1 - New)
- u. \$15,000.00 from National Science Foundation, Washington, D. C., for Soil and Soil Organic Characteristics of Selected Arctic Tundra Environments, Alaska, under the direction of Institute of Polar Studies, for period May 1, 1975 through April 30, 1976. (Project 4184-A1 - New)

III. REPORT OF RESEARCH CONTRACTS, GRANTS, GIFTS, AND AGREEMENTS  
(continued)

B. The Ohio State University Research Foundation (continued)

1. Federal Research Contracts /Grants (continued)

- v. \$14,998.00 from U. S. Department of the Navy, Naval Regional Procurement Office, Long Beach, California, for Pattern Optimization of Wing Mounted Array Antennas at UHF, under the direction of Department of Electrical Engineering, ElectroScience Laboratory, for period March 1, 1974 through October 31, 1975. (Project 3884-A1 - Mod. #P00003)
- w. \$14,100.00 from National Science Foundation, Washington, D. C., for Isotopic and Geochemical Study of Sediment in the Black Sea, under the direction of Department of Geology and Mineralogy, for period July 1, 1975 through June 30, 1976. (Project 4193-A1 - New)
- x. \$14,000.00 from National Science Foundation, Washington, D. C., for Exchange of Soviet and American Corrosion Scientists and Engineers, under the direction of Department of Metallurgical Engineering, for period May 1, 1975 through April 30, 1977. (Project 4188-A1 - New)
- y. \$12,638.00 from Department of Health, Education, and Welfare, Public Health Service, Food and Drug Administration, Rockville, Maryland, for Electron Microscopic Study of the Effect of PCB and PBB on Thyroid Gland of Rats, under the direction of Department of Veterinary Pathobiology, for period June 3, 1974 through June 2, 1976. (Project 3939-A1 - Mod. #2)
- z. \$12,254.00 from U. S. Department of the Navy, Naval Undersea Center, San Diego, California, for Acoustic Target Physics Study, under the direction of Department of Electrical Engineering, for period April 30, 1975 through October 30, 1975. (Project 4169-A1 - New)
- aa. \$10,125.31 from National Aeronautics and Space Administration, Lewis Research Center, Cleveland, Ohio, for Remote Sensing of Lake Ice Thickness, under the direction of Department of Electrical Engineering, ElectroScience Laboratory, for period April 1, 1974 through March 31, 1976. (Project 3892-A1 - Sup. #1)
- bb. \$10,000.00 from U. S. Department of the Air Force, Air Force Special Weapons Center (PMRB), Kirtland Air Force Base, New Mexico, for Advanced GTD Aircraft Study (PR FY 3592-75-10176), under the direction of Department of Electrical Engineering, ElectroScience Laboratory, for period May 7, 1975 through August 14, 1976. (Project 4172-A1 - New)

July 11, 1975 meeting, Board of Trustees

III. REPORT OF RESEARCH CONTRACTS, GRANTS, GIFTS, AND AGREEMENTS  
(continued)

B. The Ohio State University Research Foundation (continued)

1. Federal Research Contracts/Grants (continued)

- cc. \$9,990.00 additional funds from U. S. Department of the Air Force, Air Force Systems Command, Aeronautical Systems Division, Wright Patterson Air Force Base, Ohio, for Advanced Radar Reflector Studies, under the direction of Department of Electrical Engineering, ElectroScience Laboratory. (Project 3401-A1 - Mod. #P00005)
- dd. \$8,200.00 from National Science Foundation, Washington, D. C., for Combinatorial Geometry: The Whitney Numbers, under the direction of Department of Mathematics, for period July 1, 1973 through June 30, 1976. (Project 3684-A1 - NSF letter dated April 25, 1975)
- ee. \$8,045.00 from U. S. Department of Agriculture, Forest Service, Upper Darby, Pennsylvania, for Comparative Kinetic Studies on the Inhibition of Photosynthesis by Sulfur Dioxide FS-NE-2208, under the direction of Department of Botany, for period May 1, 1975 through June 30, 1977. (Project 4179-A1 - New)
- ff. \$6,800.00 from National Aeronautics and Space Administration, Goddard Space Flight Center, Greenbelt, Maryland, for Definition Study for Space Shuttle Experiments Involving Large Aperture, Steerable Millimeter Wave Antenna Systems, under the direction of Department of Electrical Engineering, ElectroScience Laboratory, for period May 16, 1974 through August 15, 1975. (Project 3931-A1 - Mod. #3)
- gg. \$5,900.00 from National Science Foundation, Washington, D. C., for Role of RNA Synthesis in Abscisic Acid Activity, under the direction of Department of Botany, for period May 1, 1973 through December 31, 1975. (Project 3680-A1 - Sponsor letter dated May 12, 1975)
- hh. \$5,878.00 additional funds from Department of Health, Education, and Welfare, Public Health Service, National Institutes of Health, National Institute of General Medical Sciences, Bethesda, Maryland, for Biochemical Applications of Osmium Chemistry, under the direction of Department of Biochemistry. (Project 3721-A2 - Revised Sponsor award dated May 6, 1975)
- ii. \$5,853.00 additional funds from Department of Health, Education, and Welfare, Public Health Service, National Institutes of Health, National Institute of General Medical Sciences, Washington, D. C., for Synthesis of Biologically Important Carbohydrates, under the direction of Department of Chemistry. (Project 1820-K - Revised award dated April 18, 1975)



III. REPORT OF RESEARCH CONTRACTS, GRANTS, GIFTS, AND AGREEMENTS  
(continued)

B. The Ohio State University Research Foundation (continued)

1. Federal Research Contracts/Grants (continued)

- jj. \$4,249.00 additional funds from Department of Health, Education, and Welfare, Public Health Service, National Institutes of Health, National Institute of General Medical Sciences, Bethesda, Maryland, for Polyfunctional Catalysis, under the direction of Department of Chemistry. (Project 3292-A4 - Revised grant award dated April 23, 1975)
- kk. \$4,200.00 from National Aeronautics and Space Administration, Ames Research Center, Moffett Field, California, for Studies of Heat Source Driven Natural Convection, under the direction of Department of Mechanical Engineering, for period August 1, 1973 through June 30, 1976. (Project 3746-A1 - Sup. #2)
- ll. \$2,649.00 additional funds from Department of Health, Education, and Welfare, Public Health Service, National Institutes of Health, National Institute of General Medical Sciences, Bethesda, Maryland for Monolayers and Properties of Membrane Lipids, under the direction of Department of Physiological Chemistry. (Project 4057-A1 - Sup. #1)
- mm. \$2,365.00 additional funds from Department of Health, Education, and Welfare, Public Health Service, National Institutes of Health, National Institute of General Medical Sciences, Bethesda, Maryland, for Control of Differential Gene Action and Morphogenesis, under the direction of Department of Biochemistry. (Project 3307-A4 - Sponsor letter dated May 5, 1975)
- nn. \$1,700.00 from U. S. Civil Service Commission, Dallas Region, Dallas, Texas, for Basic Procurement - Dallas, under the direction of College of Administrative Science, Division of Continuing Education, for period May 19, 1975 through May 23, 1975. (Project 4165-A1 - New)
- oo. \$1,400.00 additional funds from U. S. Civil Service Commission, Washington, D. C., for Government Contract Termination Course, under the direction of College of Administrative Science, Division of Continuing Education. (Project 4033-C1 - Session #4 reinstated per telephone call May 1, 1975)
- pp. \$1,012.50 from U. S. Civil Service Commission, Washington, D. C., for Intergovernmental Training Program - Various Courses, under the direction of College of Administrative Science, Division of Continuing Education, for period February 3, 1975 through May 23, 1975. (Project 4033-J1 - Sponsor letter dated May 6, 1975)

July 11, 1975 meeting, Board of Trustees

III. REPORT OF RESEARCH CONTRACTS, GRANTS, GIFTS, AND AGREEMENTS  
(continued)

B. The Ohio State University Research Foundation (continued)

1. Federal Research Contracts/Grants (continued)

qq. \$1,000.00 from U. S. Department of the Air Force, Air Force Systems Command, Wright-Patterson Air Force Base, Ohio, for Research on Investigation of the Boundary Layer Behavior on Turbine Airfoils - (Gas Turbine Transpiration Cooling Research), under the direction of Department of Mechanical Engineering, for period June 16, 1975 through June 15, 1977. (Project 4174-A1 - New)

TOTAL - Federal Research Contracts/Grants \$1,227,144.81

2. Industrial, Subcontracts/Grants and Other  
Non-Federal Research Contracts/Grants

- a. \$147,584.00 from The Ohio Valley Health Services Foundation, Inc., Athens, Ohio, for Evaluation Component of the Consolidated Emergency Medical Services System for Southeastern Ohio, under the direction of Department of Preventive Medicine, for period November 1, 1972 through June 30, 1975. (Project 3614-A1 - Amend. #3)
- b. \$84,348.00 from Battelle Memorial Institute, Columbus Laboratories, Columbus, Ohio, for Large Animal Preclinical Evaluations of Pharmacodynamic Effects of Antineoplastic Compounds on the Cardiovascular System, under the direction of Department of Veterinary Physiology, for period April 1, 1975 through February 29, 1976. (Project 4155-A1 - New)
- c. \$20,000.00 from American Iron and Steel Institute, New York, New York, for Composition of Passive Films, under the direction of Department of Metallurgical Engineering, for period May 1, 1975 through April 30, 1976. (Project 4176-A1 - New)
- d. \$13,000.00 from American Iron and Steel Institute, New York, New York, for Substitute Fluxes for the BOF, under the direction of Department of Metallurgical Engineering, for period May 1, 1975 through April 30, 1976. (Project 4177-A1 - New)
- e. \$9,996.00 from Muscular Dystrophy Association of America, New York, New York, for Neurophysiological Studies of Dystrophic and Normal Chick Embryo Spinal Cords, under the direction of Department of Physiology, for period July 1, 1975 through June 30, 1976. (Project 4190-A1 - New)

July 11, 1975 meeting, Board of Trustees

III. REPORT OF RESEARCH CONTRACTS, GRANTS, GIFTS, AND AGREEMENTS  
(continued)

B. The Ohio State University Research Foundation (continued)

2. Industrial, Subcontracts/Grants and Other  
Non-Federal Research Contracts/Grants (continued)

- f. \$5,000.00 from World Health Organization, 1211 Geneva 27 Switzerland, for Support of Research Involving Immunological Methods of Fertility Regulation, under the direction of Department of Obstetrics and Gynecology, for period August 19, 1974 through August 31, 1976. (Project 4042-A1 - Amend. #1)
- g. \$5,000.00 from U. S. Trotting Association, Columbus, Ohio, for Adaptive Changes in Aerobic Capacity after Conventional and Interval Training and the Effects of Certain Drugs on Performance of the Standard-Bred Horse, under the direction of Department of Veterinary Clinical Science, for period May 1, 1975 through April 30, 1976. (Project 4175-A1 - New)
- h. \$75.00 additional funds from Ohio Program in the Humanities, Columbus, Ohio, for an Historical Analysis of Religious Beliefs and Their Contemporary Implications for Humanitarian Living, under the direction of Department of Black Studies. (Project 4142-A1 - Grant document dated May 1, 1975)

TOTAL - Industrial, Subcontracts/Grants and Other  
Non-Federal Research Contracts/Grants \$285,003.00

C. The Engineering Experiment Station

1. Federal Research Contract

- a. \$23,000.00 from U. S. Department of Agriculture, Forest Service, Northeastern Forest Experiment Station, Upper Darby, Pennsylvania, for the first year of Strategies for Assessing Air Pollution Injury to Forest Vegetation, under the direction of Atmospheric Sciences Research Program, for period April 28, 1975 through June 30, 1978. (EES 511)

2. State of Ohio Research Contracts

- a. \$24,930.00 from Ohio Department of Transportation, Columbus, Ohio, for Aggregate Quality as Related to Flexible Pavement Performance, under the direction of Department of Civil Engineering, for period May 1, 1975 through August 1, 1976. (EES 512)

III. REPORT OF RESEARCH CONTRACTS, GRANTS, GIFTS, AND AGREEMENTS  
(continued)

C. The Engineering Experiment Station (continued)

2. State of Ohio Research Contracts (continued)

- b. \$12,666.00 from Ohio Department of Transportation, Columbus, Ohio, for a six-month extension of Development of Guidelines for the Application of Continuous Two-Way Left-Turn Median Lanes, under the direction of Department of Civil Engineering, for period November 11, 1975 through May 15, 1976. (EES 470, Ext. #4)

TOTAL - State of Ohio Research Contracts \$37,596.00

3. Industrial and Other Research Contract

- a. \$2,750.00 from The Ohio State University, Office of Physical Facilities, Columbus, Ohio, for extending The ABLE Program Expansion, under the direction of Department of Mechanical Engineering, for period May 1, 1975 through June 30, 1975. (EES 504, Ext. #1)

D. The Ohio State University Development Fund

1. Gifts of \$5,000 or More

- a. \$1,000,000.00 from Battelle Memorial Institute, Columbus, Ohio, for the Battelle Technology and Human Affairs Program.
- b. \$213,591.13 from the Trust Under the Will of Charles C. Palmer, Wilmington, Delaware, for a named endowed fellowship fund in Veterinary Medicine.
- c. \$50,000.00 from Battelle Memorial Institute, Columbus, Ohio, for a new project for the College of Engineering--Battelle/Ohio State University Partnership in Engineering Education Fund.
- d. \$35,812.50 from Mr. and Mrs. Warner M. Pomerene, Coshocton, Ohio, for the College of Medicine Progress Fund.
- e. \$10,812.50 from Mrs. Helen H. Weller, Worthington, Ohio, for an endowed fund for cancer research in the College of Medicine.
- f. \$9,500.00 from The Procter & Gamble Company, Cincinnati, Ohio, for the Veterinary Pathobiology Graduate Training Fund.
- g. \$8,134.92 from The Associates of Medicine, Columbus, Ohio, for support of the Department of Medicine General Fund.

July 11, 1975 meeting, Board of Trustees

III. REPORT OF RESEARCH CONTRACTS, GRANTS, GIFTS, AND AGREEMENTS  
(continued)

D. The Ohio State University Development Fund (continued)

1. Gifts of \$5,000 or More (continued)

- h. \$6,000.00 from PPG Industries Foundation, Pittsburgh, Pennsylvania, for the Department of Mechanical Engineering Support Fund.
- i. \$5,000.00 from Armco Foundation, Middletown, Ohio, for expansion and development of the manufacturing processes program in the Department of Industrial and Systems Engineering.
- j. \$4,750.00 from Alcoa Foundation, Pittsburgh, Pennsylvania--\$2,500.00 for their fellowship fund in Welding Engineering and \$2,250.00 for their scholarship fund in Engineering.

2. Gifts-in-Kind

- a. A gift consisting of 1,127 Film Titles for years 1947-1953, 8,690 Lobby Cards, 660 Lobby One-Sheet Posters, and 12 Lobby Three-Sheet Posters from Mr. Philip Sills, Riverdale-on-Hudson, New York, to be housed in the College of The Arts.
- b. A Mollusk Collection from Mrs. Mary M. Smith, Sandusky, Ohio, to be housed in the Museum of Zoology.

3. Establishment of Named Funds

- a. \$5,000.00 from the family of the late William G. Holiday for the establishment of The William G. Holiday Memorial Fund.

The William G. Holiday Memorial Fund

The William G. Holiday Memorial Fund was established July 11, 1975, by the Board of Trustees of The Ohio State University with gifts to The Ohio State University Development Fund from the family of the late William G. Holiday, Carefree, Arizona.

All gifts are to be invested in the University's Permanent Endowment under the rules and regulations adopted by the Board of Trustees of The Ohio State University, with the right to invest and reinvest as occasion dictates.

The annual income is to be used by The Ohio State University College of Medicine for cancer research. Disbursements are to be made upon the recommendations of the Dean of the College of Medicine.

July 11, 1975 meeting, Board of Trustees

III. REPORT OF RESEARCH CONTRACTS, GRANTS, GIFTS, AND AGREEMENTS  
(continued)

D. The Ohio State University Development Fund (continued)

3. Establishment of Named Funds (continued)

a. The William G. Holiday Memorial Fund (continued)

Should the need for cancer research in the College of Medicine cease to exist or should the College of Medicine undergo reorganization, then the income may be used by the Board of Trustees, with preference being given to arthritis or heart disease research, subject to the recommendations of the appropriate administrative official who is then directly responsible for medical research.

b. \$4,400.00 from the family of Jack R. Henry for the establishment of The Jack R. Henry Memorial Fund.

The Jack R. Henry Memorial Fund

The Jack R. Henry Memorial Fund was established on July 11, 1975, by the Board of Trustees of The Ohio State University with gifts to The Ohio State University Development Fund from the family of Jack R. Henry, B.A. '39, M.D. '43, in his memory.

All gifts are to be invested in the University's Permanent Endowment under the rules and regulations adopted by the Board of Trustees of The Ohio State University, with the right to invest and reinvest as occasion dictates.

The annual income is to be used for scholarships, student loans, research or any other worthy need of the College of Medicine. Requests for funds will be approved by the Dean of the College of Medicine.

Should the need for these funds cease to exist or so diminish as to provide unused income, then the income may be used for any purpose whatsoever as determined by the Board of Trustees, with preference being given to recommendations from the appropriate administrative official of the University who is then directly responsible for medical education.

July 11, 1975 meeting, Board of Trustees

III. REPORT OF RESEARCH CONTRACTS, GRANTS, GIFTS, AND AGREEMENTS  
(continued)

D. The Ohio State University Development Fund (continued)

3. Establishment of Named Funds (continued)

- c. \$1,000.00 from Pamela J. Stallkamp and Todd C. Stallkamp for the establishment of The Pamela J. and Todd C. Stallkamp Scholarship Fund.

The Pamela J. and Todd C. Stallkamp Scholarship Fund

The Pamela J. and Todd C. Stallkamp Scholarship Fund was established July 11, 1975, by the Board of Trustees of The Ohio State University with gifts to The Ohio State University Development Fund from Pamela J. Stallkamp, B.S. '64, and Todd C. Stallkamp, B.S. '59, M.D. '64, Toledo, Ohio.

All gifts are to be invested in the University's Permanent Endowment under the rules and regulations adopted by the Board of Trustees of The Ohio State University with the right to invest and reinvest as occasion dictates.

The annual income is to be added to the principal until the fund reaches \$10,000.00. At that time, the income is to be used to provide one or more scholarships to students enrolled in the College of Medicine and the School of Nursing. The scholarships will be given on alternate years to students enrolled in nursing and medicine. Preference in selecting the recipient(s) should be given to former athletes or to students currently participating in intercollegiate athletics. Selection of the recipient(s) is to be made by the University Scholarship Committee upon the recommendation of the Dean of the College of Medicine.

Should the need for these scholarships cease to exist or so diminish as to provide unused income, then the income may be used for any purpose whatsoever as determined by the Board of Trustees, with preference being given to recommendations from the appropriate administrative official of the University who is directly responsible for medical education.

4. Establishment of Named Professorship

The Robert M. Critchfield Professorship in Engineering

The Robert M. Critchfield Professorship in Engineering was established July 11, 1975, by the Board of Trustees of The Ohio State University with a bequest to The Presidents Club of The Ohio State

July 11, 1975 meeting, Board of Trustees

III. REPORT OF RESEARCH CONTRACTS, GRANTS, GIFTS, AND AGREEMENTS  
(continued)

D. The Ohio State University Development Fund (continued)

4. Establishment of Named Professorship (continued)

The Robert M. Critchfield Professorship in Engineering (continued)

University by the late Robert M. Critchfield, E.E. '16, former vice president of the General Motors Corporation.

All gifts are to be invested in the University's Permanent Endowment Fund, under the rules and regulations adopted by the Board of Trustees of The Ohio State University, with the right to invest and reinvest as occasion dictates.

Appointment to the Professorship will be recommended by the Dean of the College of Engineering to the Provost and approved by the Board of Trustees. The recipient will be selected from among faculty members, regular or special, of the College of Engineering, with preference to those in the Department of Electrical Engineering. The Professorship will be conferred for a term of four years subject to renewal only in special cases approved by the Dean and the Provost.

In addition to his title, the Robert M. Critchfield Professor in Engineering will have access to a fund of \$5,000 per year, derived from interest on the endowment, to be used, with the approval of his Department Chairman and the Dean, to support his work in teaching and research through the purchase of equipment and instrumentation, employment of assistants, and/or defrayment of costs of travel, publication, and incidentals related to his professional development.

Should the need for this Professorship cease to exist or so diminish as to provide unused income, then the income may be used for any purpose whatsoever as determined by the Board of Trustees, with preference being given to recommendations from the appropriate administrative official of the University who is then directly responsible for engineering education.

\*

\*

\*



July 11, 1975 meeting, Board of Trustees

IV. APPROPRIATION AND TRANSFER OF FUNDS

In accordance with a requirement of the Auditor of State all transfers made among fund groups during the fiscal year 1974-1975 are reported below:

A. Transfer of Earned Indirect Costs

President Enarson reported that in accordance with the policy previously adopted by the Board, earned indirect costs were transferred to Account 149999, University Treasurer General Fund.

Administrative expenses, operation and maintenance of physical plant, library expenses, use allowances, and other indirect costs on grants and contracts with National Science Foundation; U. S. Department of Health, Education and Welfare; other Federal Agencies; State of Ohio; and other organizations for fiscal year 1974-1975.

National Science Foundation

310150	Education	Thomson	\$ 975.12
310160	Mathematics	Riner	8,806.26
310161	Education	Mayer	6,384.99
310165	Education	Cunningham	1,463.52
310166	Education	Thomson	1,255.56
310167	Chemistry	Meek	741.69
310174	Mathematics	Ross	6,560.00

Total National Science Foundation \$ 26,187.14

U. S. Department of Health, Education, and Welfare

320426	NIH	Medicine - Warren	\$ 425.00
320438	NIH	Surgery - Cerilli	3,697.98
320442	NIH	Pathology - Gruemer	3,877.19
320446	NIH	Medicine - Skillman	4,374.00
320480	NIH	Psychiatry - Gregory	7,244.00
320481	NIH	Psychology - Siegel	4,151.52
320482	NIH	Physics - Nelson	2,244.40
320485	NIH	Otolaryngology - Saunders	6,524.17
320486	NIH	Surgery - Hunt	3,971.38
320487	NIH	Medicine - Ferris	5,318.69
320488	NIH	Veterinary Pathology - Cole	6,170.42
320489	NIH	Pharmacology - Hollander	2,071.27
320493	NIH	Pharmacology - Marks	3,003.49
320497	NIH	School of Nursing - Sills	5,793.79
320498	NIH	Psychology - Wickens	1,435.64
320499	NIH	Psychology - Latane	2,249.14
320500	NIH	Psychology - Meyer	1,072.00
320502	NIH	School of Social Work - Medhurst	981.19
320503	NIH	Dentistry - Allison	3,214.66

July 11, 1975 meeting, Board of Trustees

IV. APPROPRIATION AND TRANSFER OF FUNDS (continued)

A. Transfer of Earned Indirect Costs (continued)

U. S. Department of Health, Education, and Welfare (continued)

320505	NIH	Psychiatry - Marks	\$ 1,141.38
320506	NIH	Medicine - Balcerzak	2,115.96
320508	NIH	Psychiatry - Arnold	1,601.29
320509	NIH	Psychology - Meyer	1,852.00
320510	NIH	School of Social Work - Medhurst	986.00
320511	NIH	Psychiatry - Gregory	893.74
330057	HSMHA	Nisonger Center - Gibson	35,440.87
330207	NIE	Center for Vocational Edu- cation - Taylor	34,895.72
330208	NIE	Center for Vocational Edu- cation - Taylor	68,263.43
330209	NIE	Center for Vocational Edu- cation - Taylor	41,442.91
330210	NIE	Center for Vocational Edu- cation - Taylor	97,306.19
330211	NIE	Center for Vocational Edu- cation - Taylor	16,618.28
330212	PHS	School of Allied Medical Professions - Atwell	3,142.16
330217	PHS	School of Allied Medical Professions - Atwell	3,614.25
330218	PHS	School of Allied Medical Professions - Atwell	3,424.30
330219	PHS	School of Allied Medical Professions - Atwell	1,595.82
330220	PHS	School of Allied Medical Professions - Atwell	4,529.71
330221	PHS	Nisonger Center - Chase	4,395.00
330223	PHS	Preventive Medicine - Keller	5,670.36
330224	SRS	Nisonger Center - Bardwell	11,092.12
330227	SRS	Nisonger Center - Gibson	6,719.82
330228	HSMHA	Preventive Medicine - Keller	4,220.46
330230	PHS	School of Nursing - Kalafatich	3,470.38
330231	SRS	School of Social Work - Medhurst	4,356.06
330235	SRS	School of Allied Medical Professions - Woods	444.37
330241	OCD	Mershon Center - Nagi	20,161.74
330242	PHS	Pharmacy - Hudspeth	2,352.28
330243	NIE	Center for Vocational Edu- cation - Taylor	25,619.05
340138	OE	Slavic Languages and Literatures - Twarog	100.00
340148	OE	Nisonger Center - Bardwell	9,259.00

July 11, 1975 meeting, Board of Trustees

IV. APPROPRIATION AND TRANSFER OF FUNDS (continued)

A. Transfer of Earned Indirect Costs (continued)

U. S. Department of Health, Education, and Welfare (continued)

340158	OE	Center for Vocational Edu- cation - Taylor	\$257,039.34
340161	OE	Center for Vocational Edu- cation - Goldhammer	2,416.27
340169	OE	Education - Stephens	24,879.00
340170	OE	Education - Ersing	5,095.94
340171	OE	Nisonger Center - Cotter	2,341.36
340172	OE	School of Home Economics - Taylor	1,460.08
340176	OE	Center for Vocational Edu- cation - Taylor	4,970.86
340178	OE	School of Home Economics - Taylor	4,185.28
340182	OE	Education - Vivian	<u>196.00</u>
Total U. S. Department of Health, Edu- cation, and Welfare			<u>\$787,128.71</u>

U. S. Government - Other

390020	AID	Brazil - Agriculture	\$ 4,601.45
390023	NASA	Preventive Medicine - Ellingson	557.50
390052	AID	Administrative Science - Hurley	6,158.31
390085	DOT	Center for Vocational Edu- cation - Miller	3,901.42
390093	AID	Uganda - Agriculture	1,903.71
390101	ACTION	Tunisia - Agriculture	1,910.36
390107	NEH	English - Kincaid	2,215.24
390108	DCPA	Continuing Education - Janz	4,036.79
390109	EPA	Graduate School - Shumate	1,203.88
390111	ACTION	Tunisia - Agriculture	2,003.38
390114	AID	Brazil - Agriculture	3,811.27
390115	DOD	Center for Vocational Edu- cation - Walker	90.25
390117	DOL	Administrative Science - Slanicka	<u>5,283.12</u>
Total U. S. Government - Other			<u>\$ 37,676.68</u>

July 11, 1975 meeting, Board of Trustees

IV. APPROPRIATION AND TRANSFER OF FUNDS (continued)

A. Transfer of Earned Indirect Costs (continued)

Miscellaneous

410134	Ohio Real Estate Commission - Raester	\$ 1,001.00
410172	State Department of Mental Health - Parnicky	3,993.49
410173	State Department of Mental Health - Leland	2,207.31
410174	State Department of Mental Health - Nisonger Center	2,130.21
410175	State Department of Mental Health - Nisonger Center	1,061.83
531249	Alliance for Career Education - Center for Vocational Education	3,176.81
	Total Miscellaneous	<u>\$ 13,570.65</u>
	Grand Total	<u><u>\$864,563.18</u></u>

B. Transfers to Plant Funds

President Enarson reported for information and the record that during the fiscal year 1974-1975, the following transfers were made from current funds to plant funds.

Account Description	B/A	Transferred from B/A	Amount
Medical Area Parking Ramp	801031	921300	\$ (199,330.12)
Optometry Building Addition	801230	156400	200,000.00
		156425	30,000.00
		531247	20,000.00
West Hall (Building No. 13)	801241	120100	(9,797.65)
		129001	(5,000.00)
Lima Parking Improvement	801242	921353	22,000.00
Optometry Building Air Conditioning	801244	156400	(31,439.50)
Telecommunications Equip- ment	801254	134431	64.67
		149997	79,770.00
Neil Hall Improvement	801258	920600	32,563.92
Land Purchases	801262	149997	8,100.00
		921700	55,000.00
Scott Hall (Building No. 4)	801269	129001	(5,000.00)
Derby Hall Remodeling	801276	149999	(8,320.67)

July 11, 1975 meeting, Board of Trustees

IV. APPROPRIATION AND TRANSFER OF FUNDS (continued)

B. Transfers to Plant Funds (continued)

Account Description	B/A	Transferred from B/A	Amount
Welding Engineering Build- ing Improvement	801278	921300	\$ 69,983.00
Dodd Hall Parking Lot	801280	921300	(7,609.60)
Newark Parking Lot Expansion	801285	921356	22,270.00
Journalism Building	801286	523091	1,842.00
Ohio Stadium - Track	801287	999000	282.45
Ohio Stadium - Restrooms	801288	999000	235,000.00
Northwest Parking Facility	801289	921300	1,500,000.00
Comparative Medical Teach- ing and Research Facility	801290	129290	(14,042.00)
Presidents Residence	801294	292842	(1,291.08)
Tennis Courts - North Athletic Facility	801296	999000	170,000.00
Mansfield Recreation Courts	801299	149949	7,258.00
Lima Recreation Area - Phase II	801301	149939	4,000.00
Galvin Hall Elevator - Lima Campus	801302	129090	23,500.00
Lazenby Hall Parking Lot	801303	921300	13,225.00
Lincoln Tower Remodeling	801304	149999	25,140.00
Jackson County Area Extension Center	801305	955041	33,911.00
Tennis Court Lighting	801306	149997	57,552.22
Lincoln Tower Parking Lot	801307	921300	29,300.00
Lima Technical Building Remodeling	801308	149939	29,120.00
Polo Field Parking Lot	801311	149997	125,000.00
		921300	190,000.00
Traffic Improvements	801313	126070	37,706.04
Hamilton Hall Electric Service	801314	125050	10,000.00
		149997	75,000.00
University Hospital Capital Reserve	809998	960200	<u>(826,192.00)</u>
Total			<u><u>\$1,999,565.68</u></u>

V. BUSINESS AND ADMINISTRATION

A. Architects or Engineers

1. Agricultural Technical Institute (Wooster, Ohio) - Phase II

President Enarson recommended that the firm of Hoag-Wismar Partnership, Cleveland, Ohio, be employed to provide complete architectural and engineering services for this project, including preliminary plans, basic drawings, working drawings, specifications, estimates of cost, architectural rendering, necessary bidding documents and supervision of construction.

This project will provide the second building for the Agricultural Technical Institute on the plot set aside for the Institute on the campus of the Ohio Agricultural Research and Development Center at Wooster, Ohio. This will provide facilities for the increased student loads and expanding academic programs of the A. T. I. which leads to an associate degree.

The fee for this service will be negotiated between the firm and the Department of Administrative Services, Division of Public Works. The total project cost is \$4,000,000.00.

Funds for this service have been provided from H. B. 687, Item 366-002 (Agricultural Technical Institute, Wooster, Ohio, The Ohio State University, Phase II).

2. Traffic Improvements/Cannon Drive Improvements

President Enarson recommended that the firm of Burgess & Niple, Ltd., Columbus, Ohio, be employed to provide complete engineering services for this project, including preliminary plans, basic drawings, working drawings, specifications, estimates of cost, necessary bidding documents, resident engineering for supervision of construction, and architectural rendering of the bridge.

This project involves the improvement of traffic flow and traffic safety on Stadium Drive and on Cannon Drive.

The fee for this service will be negotiated between the firm and the Department of Administrative Services, Division of Public Works. The total project cost is \$1,150,000.00.

Funds for this service have been provided from H. B. 687, Item 315-097 (Cannon Drive Improvements) and H. B. 687, Item 315-074 (Utilities and Renovation - Traffic Improvements).

July 11, 1975 meeting, Board of Trustees

V. BUSINESS AND ADMINISTRATION (continued)

A. Architects or Engineers (continued)

3. Newark Branch Campus--Phase III

President Enarson recommended that the firm of Bergemann-Vanek & Associates, Canton, Ohio, be employed to provide complete architectural and engineering services for this project, including preliminary plans, basic drawings, working drawings, specifications, estimates of cost, architectural rendering, necessary bidding documents, and supervision of construction.

This project will provide a new building to the southeast of Founders Hall on the Newark Campus. This building will provide facilities to accommodate the Central Ohio Technical College associate degree program and the baccalaureate programs of The Ohio State University Newark Campus.

The fee for this service will be negotiated between the firm and the Department of Administrative Services, Division of Public Works. The total project cost is \$1,425,000.00.

Funds for this service have been provided from H. B. 687, Item 315-093 (Newark Branch, Ohio State University--Phase III, in cooperation with Central Ohio Technical College).

4. Pharmacy Addition

President Enarson recommended that the firm of Croce & Abbott, Architects, Columbus, Ohio, be employed to provide complete architectural and engineering services for this project, including preliminary plans, basic drawings, working drawings, specifications, estimates of cost at each stage, necessary bidding documents, architectural rendering and supervision of construction.

This project involves a major addition on the north side of the present Pharmacy Building as well as the possibility of minor classroom additions on the southwest. The new building will provide educational facilities to meet the increasing student load in the College of Pharmacy.

The fee for this service will be negotiated between the firm and the Department of Administrative Services, Division of Public Works. The total estimated project cost is \$1,400,000.00.

Funds for this service have been provided from H. B. 687, Item 315-096 (Pharmacy Addition).

July 11, 1975 meeting, Board of Trustees

V. BUSINESS AND ADMINISTRATION (continued)

A. Architects or Engineers (continued)

5. Music Addition and Hayes Hall Renovation

President Enarson recommended that the firm of Eschliman Associates, Columbus, Ohio, be employed to provide complete architectural and engineering services for this project, including preliminary plans, basic drawings, working drawings, specifications, estimates of cost, architectural rendering, necessary bidding documents, and supervision of construction. This firm will provide the additional services of an architectural firm with the national reputation in historical restoration work as design consultant for the Hayes Hall Renovation portion of the project, and also provide the services of an acoustic consultant and a theatre consultant for the Music Addition portion of the project.

The Music Addition will be a facility to house the performance division of the School of Music. Students and faculty in voice and instrument programs will engage in individual and group instruction and practice and in presentation of various programs such as concerts, opera, musical shows, ballet, modern dance and musical lectures.

The Hayes Hall Renovation project will restore and/or preserve the exterior facades and the interior decorative elements of the South Wing. In addition, the electrical systems, plumbing systems, and the heating and ventilating systems of the building will be renewed to present-day standards and codes. The building will be developed as a facility to accommodate the Division of Art and the Division of the History of Art.

The fee for this service will be negotiated between the firm and the Department of Administrative Services, Division of Public Works. The project cost for the Music Addition is \$3,500,000.00, and the project cost for the Hayes Hall Renovation portion of the project is \$1,750,000.00.

Funds for this service have been provided from H.B. 687, Item 315-095 (Music Addition) and H.B. 687, Item 315-074 (Utilities and Renovation) for the Hayes Hall Renovation project work.

6. East Stadium Improvements - Research Space

President Enarson recommended that the firm of John W. Spencer & Associates, Inc., Columbus, Ohio, be employed to provide architectural and engineering services necessary to develop a project feasibility study consisting of preliminary drawings, outline specifications and estimates of cost. Upon evaluation of feasibility study and determination of scope of project, they will provide additional architectural and engineering services consisting of basic drawings, working drawings, specifications and estimates of cost at each stage, necessary bidding documents and supervision of construction.



July 11, 1975 meeting, Board of Trustees

V. BUSINESS AND ADMINISTRATION (continued)

A. Architects or Engineers (continued)

6. East Stadium Improvements - Research Space (continued)

This project involves the development of approximately 3, 500 square feet of undeveloped loft space constructed in 1967 under the project known as "Research Space, East Side of Stadium, Phase IV." Additional contiguous space for the Department of Psychology staff and graduate researchers will be provided by this project in the form of experimental research booths observable from a centralized control room, research cubicles, senior staff offices, and student cubicles.

The fee for this service will be negotiated between the firm and the Department of Administrative Services, Division of Public Works. The total project is estimated to be \$200,000.00, contingent upon the evaluation of the feasibility study to be accomplished.

Funds for this service have been provided from local funds.

7. Agronomy, Natural Resources and Plant Pathology Building

President Enarson recommended that the firm of Brubaker/Brandt, Inc., Columbus, Ohio, be employed to provide complete architectural and engineering services for this project, including preliminary plans, basic drawings, working drawings, specifications, estimates of cost, architectural rendering, necessary bidding documents, and supervision of construction. Also, additional services of Sasaki, Associates and Pietro Belluschi as design consultants for the project will be provided.

This project will provide essential and modern facilities necessary to accommodate the academic, research and extension program of the Department of Agronomy, the School of Natural Resources and the Department of Plant Pathology. The new facilities will be located within the building complex of the College of Agriculture and Home Economics on the campus west of the Olentangy River.

The fee for this service will be negotiated between the firm and the Department of Administrative Services, Division of Public Works. The total project cost is \$11,000,000.00.

Funds for this service have been provided from H. B. 687, Item 315-094 (Agronomy, Natural Resources, and Plant Pathology).

Upon motion of Mr. Harrod, seconded by Dr. Sirak, the above recommendations, dependent upon the final passage of the new House Bill 687, were approved by unanimous roll call vote.

July 11, 1975 meeting, Board of Trustees

V. BUSINESS AND ADMINISTRATION (continued)

B. Plans and Specifications

At the request of the Vice President for Business and Administration, President Enarson recommended that the plans and specifications, bills of materials, and estimates of cost for the following projects be approved by the Board of Trustees.

1. Research Center--Roof Repairs

This project will provide for the repair of the north side low section and connecting monitor deck of the Research Center roof. The roof was installed when the building was erected in 1945.

Funds are budgeted in Budget Account 126070 (Contract Repair).

2. Biological Sciences Building--Exhaust and Boiler Revisions

This project will provide for the automatic operation of the boilers, thus reducing man hours, reduce chemical losses in laboratories, and water loss from the system due to wasting condensate to drains. Work on the exhaust air system will control air flow through chemical hoods in sheet metal duct work inside existing masonry chases.

Funds are budgeted in Budget Account 126070 (Contract Repair).

Upon motion of Mr. Devenow, seconded by Mr. Harrod, the above recommendations were approved by unanimous roll call vote, and the Secretary was authorized and directed to sign the plans and specifications for the above projects for and on behalf of the Board of Trustees. The Vice President for Business and Administration was directed to proceed with the request for bids in the normal University manner, and if satisfactory bids are received to proceed with the award of contracts. All action regarding this matter will be reported to the Board of Trustees at a later meeting.

C. Report of Award of Contracts

In accordance with authorization provided by the Board of Trustees, bids were taken on the project listed below and the contracts were recommended for award. The action reported to the Board was as follows:

1. Ohio Stadium Repairs--1975

	<u>Low Bid</u>	<u>Est. of Cost</u>
<u>General Contract</u> (3 bids received 6-11-75) Mason & Isabel, Inc. (Columbus)		
Base bid	\$313,300.00	\$359,000.00
Alt. G-1 Stadium Repairs to Section 3C	+ 38,000.00	+ 48,500.00
Total Contract	<u>\$351,300.00</u>	<u>\$407,500.00</u>

July 11, 1975 meeting, Board of Trustees

V. BUSINESS AND ADMINISTRATION (continued)

C. Report of Award of Contracts (continued)

1. Ohio Stadium Repairs--1975 (continued)

	<u>Low Bid</u>	<u>Est. of Cost</u>
<u>Plumbing Contract</u> (4 bids received 6-11-75) R. T. Evans Company (Columbus)		
Base bid	\$ 5,990.00	\$ 10,000.00
Alt. P-1 Stadium Repairs to Section 3C	+ 900.00	+ 1,500.00
Total Contract	<u>\$ 6,890.00</u>	<u>\$ 11,500.00</u>
<u>Total All Contracts</u>	<u>\$358,190.00</u>	<u>\$419,000.00</u>

Funds for this project have been provided from Budget Account 999000 (Athletic Revenue).

Upon motion of Mr. Devenow, seconded by Mr. Harrod, the above award of contracts and expenditure of funds were approved, and the action of the Vice President for Business and Administration was ratified by unanimous roll call vote.

D. Other

1. Lease Agreement - Board of County Commissioners of Franklin County and the Board of Trustees of The Ohio State University

In accordance with an action of the Board of Trustees on September 6, 1974, the Board of County Commissioners of Franklin County will lease from The Ohio State University a parcel of University land situated at the northeast corner of the intersection of Cannon Drive and King Avenue, consisting of approximately one acre.

This lease, pursuant to the provisions of Sections 123.01 (A) (9) and 307.02 R. C., by and between the State of Ohio, through the Department of Administrative Services duly approved as to form by the Attorney General of Ohio, acting for and on behalf of The Ohio State University (State of Ohio), is now completed for execution.

President Enarson recommended that the Board of Trustees of The Ohio State University approve the Lease Agreement as is shown in the attached document.

L E A S E

THIS LEASE, made and entered into as of the \_\_\_\_ day of \_\_\_\_\_, 1975, pursuant to the provisions of Sections 123.01 (A) (9) and 307.02 R.C., by and between the State of Ohio, through the Department of Administrative Services duly approved as to form by the Attorney General of Ohio, acting for and on behalf of the State of Ohio, and approved by the Board of Trustees of The Ohio State University, herein referred to as "Lessor", and the Board of County Commissioners of Franklin County, Ohio, herein referred to as "Lessee".

W I T N E S S E T H :

PREAMBLE

WHEREAS, the Board of County Commissioners of Franklin County, Ohio, has determined that it is in the best interest of the citizens of Franklin County, Ohio, and surrounding counties to build a new County Coroner's office, laboratory and county morgue; and

WHEREAS, the Board of County Commissioners of Franklin County, Ohio, has determined that the County Coroner's office, laboratory and county morgue will serve the law enforcement agencies of Franklin County, Ohio, and surrounding counties as a crime laboratory; and

WHEREAS, the Board of County Commissioners of Franklin County, Ohio, has determined that the useful life of the County Coroner's office, laboratory and county morgue, will be approximately forty (40) years; and

WHEREAS, the Board of County Commissioners of Franklin County, Ohio, and the Board of Trustees of The Ohio State University, have determined that the County Coroner's office, laboratory and

county morgue should be situated in close proximity to the facilities of the medical college and related sciences of The Ohio State University, and that it will provide educational opportunities in matters relating to the operation of such a facility to students of The Ohio State University;

NOW, THEREFORE, IT IS HEREBY AGREED THAT:

ARTICLE I

GRANT OF LEASE

1. Lessor, for the consideration hereinafter provided to it by Lessee and the performance of the covenants and agreements hereinafter set forth to be kept and performed by Lessee, hereby leases unto Lessee and Lessee does hereby lease of and from Lessor, for the purposes of building a County Coroner's office, laboratory and County Morgue, the real property bounded and described as set forth in Exhibit A, (approximately one acre), attached hereto and made a part hereof by this reference, together with all improvements and appurtenances presently situated thereon or attaching thereto, which real property is situated at the northeast corner of the intersection of Cannon Drive and King Avenue in the City of Columbus, Franklin County, Ohio and consists of one acre, more or less, all being herein sometimes called the "Leased Premises".

2. The Premises, including the Leased Premises and those buildings and improvements constituting fixtures to be constructed thereon, as provided in Article IV and therein defined, shall become the property of the Lessor, free and clear of any and all claims by, through, or under Lessee, on the date of the expiration or termination of this Lease whether or not the same occurs at the end of the term herein granted, or prior thereto as provided herein. Upon termination of this Lease, by expiration or prior termination by default or otherwise, Lessor shall be the sole and absolute owner of the Premises,

free of any right, title, interest or estate of Lessee therein without the execution of any further instrument and without payment of any money or other consideration therefor. Lessee shall execute and deliver to Lessor such further assurances of title as may be required by Lessor. Lessee hereby grants, releases, transfers, sets over, assigns and conveys to Lessor all of its right, title and interest in and to the Improvements upon the termination of this Lease. Nothing herein contained shall adversely affect any right that Lessee may have to quiet enjoyment and possession so long as the Lease shall continue in force and effect and Lessee shall not be in default hereunder. The Lessee shall upon such termination well and truly surrender and deliver the Leased Premises and the Improvements to the possession and use of Lessor, without fraud or delay and in good order, condition and repair, ordinary wear and tear excepted, taking into consideration the useful life of the improvements if said Lease does not terminate until the time provided herein.

## ARTICLE II

### TERM

The term of this Lease shall be forty (40) years commencing on June 1, 1975.

## ARTICLE III

### CONSIDERATION

1. Lessor shall receive as consideration for this Lease, during the lease term for its educational purposes, the use of the Improvements and, at the end of such term, if Lessor desires, subject to the provisions of Article XVI, the vesting in Lessor of title to all of the Improvements constructed on the real property herein leased, or in lieu of the latter, a removal of the Improvements

and a restoration to its original condition of the real property as hereinafter provided.

ARTICLE IV  
DEVELOPMENT OF PREMISES

Lessee shall construct upon the Leased Premises a County Coroner's office, a morgue and a criminology laboratory (the "Improvements") to serve Franklin and surrounding counties and to provide educational opportunities in matters relating to the operation of such a facility to students of The Ohio State University.

1. The Lessee shall construct the Improvements according to the terms and conditions contained herein, and in accordance with drawings, plans and specifications approved in advance of commencing construction by The Ohio State University Architect and by the Architect of the State of Ohio, said Improvements to be completed in a good and workmanlike manner and in as diligent and expeditious a manner as possible but in no event later than June 1, 1978, extended, however, for any period of delay caused by Acts of God, fire or natural disasters, labor disputes or other events beyond the control of Lessee.

2. During the term hereof, Lessee will provide facilities and opportunities within the Improvements for, and its employees and agents will cooperate in affording time and space for, educating The Ohio State University students in courses and disciplines which the University determines to be appropriate and consistent with the nature of the activities normally and routinely conducted on the Premises, and in such manner as will not unreasonably interfere with the Lessee's use of the Premises.

3. The Premises shall be used by Lessee only as a County Coroner's office, a morgue, a criminology laboratory and for the other purposes stated in this Article.

ARTICLE V

TAXES AND ASSESSMENTS

Lessee shall pay all real property taxes and assessments, if any, levied or assessed against the Premises before the same become delinquent. Lessee shall have the right to contest, at Lessee's expense and in Lessor's name, the amount of any such taxes or assessments and Lessor agrees to cooperate with Lessee in the prosecution of any such contests in such manner as Lessee may reasonably require.

ARTICLE VI

OBLIGATION TO MAINTAIN LIABILITY AND CASUALTY INSURANCE AND TO REBUILD

1. As additional consideration for this lease, Lessee shall obtain and maintain, during the term of this Lease, and at Lessee's expense, public liability insurance naming both Lessor and Lessee as insureds thereunder, against injuries to and death of persons in amounts not less than \$500,000 for any one person and \$1,000,000 for any one accident or occurrence, and against property damage in an amount not less than \$50,000 for any one accident. Lessee agrees to use its best efforts to cause such insurance policy to be so written as to require not less than fifteen (15) days' prior written notice to the Lessor of an intent by the insurer to cancel such insurance.

2. Lessee shall obtain and maintain, at Lessee's expense, on the buildings and improvements to be constructed by Lessee on the Leased Premises, insurance against loss or damage as a result of fire and those hazards ordinarily insured against in Franklin County, Ohio in policies providing, by endorsement or otherwise, what is generally known as "All Risk Coverage" for physical damage or loss to the extent that such insurance is generally available



from most insurers of recognized responsibility authorized to do business in the State of Ohio. Such insurance shall be in an amount not less than eighty per cent (80%) of the replacement value of said buildings and improvements.

3. Upon the written request of Lessor, Lessee will obtain and furnish certificates or other satisfactory evidence of the insurance required by Lessee to be maintained pursuant to this Lease.

4. If any building, fixture or other improvements now or hereafter situated on the Leased Premises (except movable trade fixtures, furniture and furnishings) should at any time during the term of this Lease be damaged or destroyed by fire or otherwise, the Lessee may, at its sole cost and expense (except to the extent that it shall be reimbursed out of insurance proceeds), restore and rebuild the same as nearly as possible to the condition they were in immediately prior to such damage or destruction or build replacement improvements which, with the approval of Lessor, are determined to be at least as desirable under the circumstances and such restoration and rebuilding, prosecuted with reasonable diligence, shall be completed as soon as reasonably possible. If Lessee does not initiate statutory procedures or other appropriate action to rebuild the Improvements within ninety (90) days of the casualty and complete the same within a reasonably diligent manner, Lessee shall restore the Premises to the condition in which they were at the commencement of the lease term and this Lease shall terminate.

#### ARTICLE VII

#### MAINTENANCE AND REPAIRS

1. Lessee shall, at Lessee's cost and expense, maintain the Leased Premises, the Improvements, all facilities and equipment therein, and all sidewalks, curbs, roadways, parking areas in the Premises, and all appurtenances thereto, in first class operating

condition and repair, and shall maintain the Premises reasonably free from snow, ice and other obstructions or debris.

ARTICLE VIII  
COMPLIANCE WITH LAW

Lessee shall at all times during the term of this Lease, at Lessee's cost and expense, perform and comply with all applicable laws, rules, orders, ordinances, regulations and requirements now or hereafter enacted or promulgated, of any sovereign or municipality, or any agency thereof, including the Board of Trustees of The Ohio State University, having jurisdiction over the Leased Premises, or the buildings and improvements to be hereafter located thereon, or the facilities or equipment therein, or the streets, sidewalks, curbs, roadways, parking areas, and gutters in or adjoining the Leased Premises or the appurtenances thereto, or the franchises and privileges connected therewith, whether or not such laws, rules, orders, ordinances, regulations or requirements so involved shall necessitate structural changes, improvements, interference with use and enjoyment of the Premises, replacements or repairs, extraordinary as well as ordinary, and Lessee shall so perform and comply, whether or not such laws, rules, orders, ordinances, regulations or requirements shall now exist or shall hereafter be enacted or promulgated, and whether or not such laws, rules, orders, ordinances, regulations, or requirements can be said to be within the present contemplation of the parties hereto.

ARTICLE IX  
NO UNLAWFUL USE

During the term of this Lease, Lessee will not use or keep or allow the Leased Premises or any portion thereof or any buildings or other improvements to be hereafter erected or maintained thereon or any appurtenances thereto, to be used or

occupied for any unlawful purpose or in violation of any certificate of occupancy, and will not suffer any act to be done or any condition to exist on the Leased Premises or any portion thereof or in any building or other improvements now or hereafter erected thereon or in any appurtenance thereto, or permit any article to be brought therein, which may be dangerous, unless safeguarded as required by law, or which may, in law, constitute a nuisance, public or private, or which may make void or voidable any insurance in force with respect thereto.

ARTICLE X

MECHANIC'S LIENS

Notice is hereby given that Lessor shall not be liable for any work performed or to be performed on the Leased Premises, or in any building or improvements thereon, or in connection with any appurtenance thereto, or for any materials furnished or to be furnished at the Leased Premises, and that no mechanic's or other lien for such work or materials shall attach to the reversionary or other interest of Lessor.

ARTICLE XI

INDEMNITY

Lessee shall indemnify, defend and save harmless the Lessor, The Ohio State University, its Board of Trustees and its agents and employees, from and against all loss, liability or damage for injuries to or death of persons or damage to property sustained in or about the premises (other than such injuries, death or damage resulting from an act of the Lessor, The Ohio State University, its Board of Trustees, their agents and employees, or licensees) or resulting from the occupancy or use thereof by Lessee, its sublessees, agents, employees or invitees.

ARTICLE XII

DEFAULT

1. There shall be an event of default in this Lease if and when there shall have been a failure to construct the Improvements as herein provided, or failure to pay any item of taxes, assessments, fees or charges required by the terms hereof to be paid by Lessee; failure to obtain any policy of insurance or to pay any item of insurance premiums required to be paid by Lessee; or failure to perform any of the other terms or conditions of this Lease. Before what is hereafter referred to as a "default" shall ripen from or out of any of the foregoing events of default, there shall be given to Lessee a notice of such event of default in writing at least thirty (30) days in advance of a default as herein defined becoming effective, or if more than thirty (30) days are reasonably required to correct with reasonable diligence such event of default, then a default as herein defined shall not become effective unless and until there is a failure to commence to correct such event of default within thirty (30) days of such notice and to prosecute the same to completion with reasonable diligence; and provided further that there shall have been no cure of the event of default specified in said notice, which cure, however, may be effected during the period of said notice by the payment of any money which would have avoided the event of default, if made in due course. If and whenever any such event of default, of which notice shall have been given, shall have thus been cured within the thirty-day period, there shall be no default as herein defined but if not cured as provided in this paragraph, then upon the expiration of said thirty-day period, a default, as herein defined, shall exist.

2. A default as hereinabove defined having occurred, and the event of default not having been cured, then and in any such

event Lessor shall have the right, at its election, upon giving ten (10) days' notice of such election, to terminate this Lease and to enter upon the Premises and take possession thereof. Commencement of a proceeding or suit in forcible entry and detainer or in ejectment, or otherwise after any default by the Lessee, shall be equivalent in every respect to actual entry by the Lessor.

#### ARTICLE XIII

##### TITLE

Lessor represents that it is the sole owner of the Leased Premises and has a good and legal right to enter into this Lease and has complied with all the laws of the State of Ohio in leasing of the Leased Premises herein and will furnish written certifications of its good title and right to lease herein without cost to Lessee and will further take whatever action is necessary to cure any title defect in the title to the Leased Premises.

#### ARTICLE XIV

##### CONDEMNATION

If the Leased Premises, or any part thereof sufficiently large to materially affect the Lessee's use, shall be taken in any appropriation proceeding, or by any right of eminent domain, by any competent authority, then this Lease shall terminate and be utterly void from the time when possession thereof is taken for the public use, and such taking shall not operate as, or be deemed as, an eviction of the Lessee, or a breach of the Lessor's covenant for quiet enjoyment; but the Lessee shall perform and observe all of the covenants of this Lease up to the time when possession is acquired for public use, and neither party thereto shall have a right of claim against the other for damages or participate in the

amount of compensation awarded to the other party. Lessor shall notify Lessee at the time such appropriation proceedings are initiated against the owner of the Leased Premises.

#### ARTICLE XV

##### RETURN OF THE LEASED PREMISES

Upon termination of this Lease by expiration of the lease term. Lessor shall have the option to require Lessee to remove all Improvements to the Leased Premises (or any part thereof) and restore the Leased Premises to the condition in which they were at the commencement of the lease term, which option shall be exercised, if at all, by Lessor giving written notice of same to Lessee at least thirty (30) days prior to such termination. Upon termination of the Lease for any reason other than expiration of the lease term, Lessor shall have the option to require Lessee to remove all Improvements to the Leased Premises (or any part thereof) and restore the Leased Premises to the condition in which they were at the commencement of the lease term, which option shall be exercised, if at all, by Lessor giving written notice of same to Lessee at least ten (10) days prior to such termination.

#### ARTICLE XVI

##### LESSOR'S RIGHT OF INSPECTION

During the term of this Lease, Lessor or Lessor's authorized agents may enter upon the Premises at reasonable times for the purpose of making inspections of the same.

#### ARTICLE XVII

##### QUIET ENJOYMENT

Lessor covenants and agrees with Lessee that Lessee, on observing and keeping the covenants of this Lease on Lessee's part to be kept, shall lawfully, peaceably and quietly hold, occupy, and

enjoy the Leased Premises during the interim and original terms without hindrance or molestation by Lessor or any person claiming by or through Lessor.

ARTICLE XVIII

ASSIGNMENT

Lessee may not sell, assign, sublease or transfer this Lease, the Leased Premises or the Improvements or any part thereof, without the written consent of Lessor. No assignment or subletting of this Lease shall relieve the Lessee of its obligations hereunder.

ARTICLE XIX

NOTICES

All notices, demands and other communications which may be or are required to be given by either party to the other in writing shall be deemed given and delivered if sent by United States registered or certified mail, postage prepaid, and addressed (unless otherwise in writing requested):

If to Lessors to   The Ohio State University  
                          Office of Property Management  
                          950 Lincoln Tower  
                          1800 Cannon Drive  
                          Columbus, Ohio 43210

If to Lessee to    Board of County Commissioners  
                          Franklin County Court House  
                          Columbus, Ohio 43215  
                          Attention: President

ARTICLE XX

SUCCESSORS AND ASSIGNS

The terms and provisions of this Lease shall inure to the benefit of and be binding upon Lessor and Lessee and their respective successors and assigns, to the extent the same is assignable.

IN WITNESS WHEREOF, Lessor and Lessee have caused this Lease to be executed by their respective duly authorized representatives as of the day and year first aforesaid.

THE STATE OF OHIO

LESSOR

Signed and acknowledged in the presence of and attested by, as to Signature of The Director of Administrative Services

\_\_\_\_\_

\_\_\_\_\_

By

RICHARD L. KRABACH, Director  
Department of Administrative Services

BOARD OF FRANKLIN COUNTY COMMISSIONERS

LESSEE

Signed and acknowledged in the presence of and attested by, as to Signature of Board of Franklin County Commissioners

\_\_\_\_\_

\_\_\_\_\_

By

By

By

STATE OF OHIO  
COUNTY OF FRANKLIN, SS:

The foregoing instrument was acknowledged before me this \_\_\_\_\_ day of \_\_\_\_\_, 1975, by Richard L. Krabach, Director of the Department of Administrative Services.

\_\_\_\_\_  
Notary Public



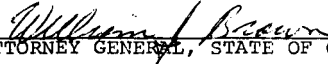
STATE OF OHIO  
COUNTY OF FRANKLIN, SS:

The foregoing instrument was acknowledged before me  
this \_\_\_\_\_ day of \_\_\_\_\_, 1975, by \_\_\_\_\_,  
\_\_\_\_\_, and \_\_\_\_\_, constituting the  
Board of Commissioners of Franklin County, Ohio.

\_\_\_\_\_  
Notary Public

APPROVED:

William J. Brown

  
\_\_\_\_\_  
ATTORNEY GENERAL, STATE OF OHIO

APPROVED:

\_\_\_\_\_  
for the Board of Commissioners  
Franklin County, Ohio

This instrument prepared by William J. Brown, Attorney General of  
Ohio.

# EXHIBIT- A

C. F. BIRD & R. J. BULL, LTD.

May 19, 1975

CONSULTING ENGINEERS - SURVEYORS

6113 LINWORTH ROAD

WORTHINGTON, OHIO 43085

PHONE 514-885-4026

## DESCRIPTION OF FRANKLIN COUNTY MORGUE SITE AT N. E. CORNER OF KING AVE. & CANNON DRIVE, COLUMBUS, OHIO, FOR FRANKLIN COUNTY COMMISSIONERS

Situated in Quarter Township 3, Township 1 North, Range 18 West, United States Military Lands, in the City of Columbus, County of Franklin, State of Ohio, and being portions of the following two (2) tracts of land:

1.) a 7.60 acre tract of land conveyed to The State of Ohio by deed of record in Deed Book 620, Page 413, Recorder's Office, Franklin County, Ohio, and

2.) a 6.63 acre tract of land conveyed to State of Ohio by deed of record in Deed Book 602, Page 562, Recorder's Office, Franklin County, Ohio, and bounded and described as follows:

Beginning at a cross cut in the concrete base of a fence post in the north line of King Avenue (60 feet wide) at the southeast corner of said 7.60 acre tract and at the southwest corner of Lot No. One Hundred Twenty-Nine (129) of Elizabeth J. McMillen's Homestead Addition, of record in Plat Book 4, Page 400, Recorder's Office, Franklin County, Ohio;

thence N 86° 46' W along the north line of King Avenue, along the south line of said 7.60 acre tract and along a portion of the south line of said 6.63 acre tract a distance of 210.82 feet to an iron pin (passing a point at the southwest corner of said 7.60 acre tract and at the southeast corner of said 6.63 acre tract at 102.76 feet);

thence N 3° 14' E parallel with the west line of said Elizabeth J. McMillen's Homestead Addition a distance of 250.00 feet to an iron pin;

thence S 86° 46' E parallel with the north line of King Avenue, parallel with the south line of said 6.63 acre tract and parallel with the south line of said 7.60 acre tract a distance of 210.82 feet to an iron pin in the west line of a "Reserve" in said Elizabeth J. McMillen's Homestead Addition (passing a point in the east line of said 6.63 acre tract and in the west line of said 7.60 acre tract at 147.24 feet);

thence S 3° 14' W along the west line of said Elizabeth J. McMillen's Homestead Addition a distance of 250.00 feet to the place of beginning (passing a point at the southwest corner of said "Reserve" and at a corner of said 7.60 acre tract at 92.00 feet and also passing a point at the northwest corner of said Lot No. 129 in said Elizabeth J. McMillen's Homestead Addition at 110.00 feet);

containing 1.210 acres of land more or less and being subject to all easements and restrictions of record.

*Robert H. Moyer*  
\_\_\_\_\_  
Robert H. Moyer  
Ohio Surveyor #5673

# EXHIBIT- A

July 11, 1975 meeting, Board of Trustees

V. BUSINESS AND ADMINISTRATION (continued)

D. Other (continued)

2. WTVN - Broadcasting Tower Lease

It is proposed that the contract previously authorized between The Ohio State University and the Taft Broadcasting Company for the lease of a parcel of land for the purpose of constructing a broadcasting tower, be modified to enable the relocation of the tower for the purpose of minimizing possible interference with the ElectroScience facilities on this campus.

It was recommended that the President and/or Vice President for Business and Administration be authorized to make the appropriate modification in this document for the resiting of the tower and forward this revised contract to the Attorney General of Ohio for implementation.

Upon motion of Mr. Devenow, seconded by Mr. Smith, the Board of Trustees approved the foregoing recommendation by unanimous roll call vote.

E. Report of Controlling Board Actions Pertaining to The Ohio State University

- 33 Approves the release of \$97,565.00 from H.B. 985, Item 315-083 (Lima Campus, Phase IV), so order of equipment could proceed on the project known as "Lima Campus, Phase IV."
- 34 Approves the release of \$1,736,939.00 from H.B. 985, Item 315-074 (Utilities and Renovation), for awarding the construction contracts on the project known as "Lincoln Tower Alterations."
- 35 Approves the release of \$64,723.52 from H.B. 985, Item 315-074 (Utilities and Renovation), for awarding the construction contracts for the project known as "Brown Hall--Installation of New Elevator."
- 36 Approves the release of \$65,496.88 from H.B. 985, Item 315-090 (Central Campus Energy Control Center), and H.B. 985, Item 315-074 (Utilities and Renovation), to accept an alternate which was part of the original contract documents for the project known as "Electrical Expansion - West Campus."
- 37 Approves the release of \$206,233.76 from H.B. 985, Item 315-074 (Utilities and Renovation), for awarding the construction contracts for the project known as "Masonry Repairs, Exterior, 1975."
- 38 Approves the release of \$112,828.48 from H.B. 985, Item 315-074 (Utilities and Renovation); H.B. 985, Item 315-089 (Physical Education Building Improvements); H.B. 985, Item 315-090 (Central Campus Energy Control Center); H.B. 985, Item 315-091 (Haskett Hall Improvements), for the awarding of construction contracts for the project known as "Evans Laboratory Ventilation, Phase II."

\*

\*

\*

VI. REPORTS

A. Report from the Fiscal Affairs Committee

1. Sale of Property - Lot No. 9 and Portion of Lot No. 10 and Parcel "A," Unit No. 1 - County of Siskiyou, McCloud, California

Mr. Devenow, on behalf of the Fiscal Affairs Committee, recommended that the real property known as Lot No. 9 and Portion of Lot No. 10 and Parcel "A," in McCloud Subdivision, Unit No. 1, County of Siskiyou, McCloud, California, be sold to Robert E. and Marguerite R. Freeman for the sum of \$45,000.00.

It was recommended further that Edward Q. Moulton, Vice President for Business and Administration, be authorized to proceed with the sale of said property and that the President and/or Vice President for Business and Administration be authorized to execute the necessary documents to consummate the sale of the property as described in the foregoing paragraph.

Upon motion of Mrs. James, seconded by Mr. Devenow, the Board of Trustees approved the sale of property as described by unanimous roll call vote.

B. Report on the University's Investment Portfolio

The report dated July 11, 1975, as submitted to the Fiscal Affairs Committee of the Board of Trustees by Mr. Ernest W. Leggett pertaining to the University's Investment Portfolio, was received and ordered to be filed with the official records of the Board of Trustees.

\*

\*

\*

VII. STATEMENT CONCERNING PRESIDENT'S SALARY

Mr. Dunlap made the following statement:

I notice, Mr. President, that you have not included within your budget presentation consideration of a salary adjustment for yourself. Further, there has been no adjustment in your salary for your three-year tenure which you will be completing on August 31. While it is appropriate that you not speak to this question, I think it is important that the Board consider this matter. Accordingly, I am asking John Gushman, as Chairman of the Educational Affairs Committee, to review the President's compensation level with the Educational Affairs Committee and bring to this Board at its next meeting a recommendation in this regard.

\*

\*

\*

July 11, 1975 meeting, Board of Trustees

Thereupon the Board adjourned to meet Friday, September 5, 1975, at The Ohio State University Fawcett Center for Tomorrow, Columbus, Ohio, at 1:30 p.m.

Attest:

\_\_\_\_\_  
Edward Q. Moulton  
Secretary

\_\_\_\_\_  
John H. Dunlap  
Chairman

Page 94 Blank

APPENDIX I

Degrees Conferred at

THE OHIO STATE UNIVERSITY  
COMMENCEMENT CONVOCATION

August 29, 1975

Page 96 Blank



## **The Recipients of the Distinguished Service Award**

### **CHARLES H. COOK**

A devoted friend of this University, Charles Cook has made outstanding contributions to its growth and development, particularly at our Lima Campus. As co-chairman of the Lima Campus fund raising committee, he worked to establish this vital link between higher education and the Lima community. His belief in Ohio State as an institution of excellence has encouraged exceptional students to pursue their academic and athletic talents in her halls and on her playing fields, bringing honor to her name through their achievements. The Ohio State University recognizes his dedication by conferring upon Charles H. Cook the Distinguished Service Award.

### **ROBERT S. DORSEY**

An innovator and community-minded man, a well-rounded athlete and scholar, Robert Dorsey possesses technical ability equalled only by his humanitarian qualities. He has devoted long hours to his profession where he is noted as an expert in computer simulation. Giving generously of his leisure time he has tutored underprivileged youths, and imparted his leadership to his alma mater, Ohio State, as a member of its Board of Trustees, assisting in our efforts to provide equality of opportunity to all. The Ohio State University recognizes his dedication by conferring upon Robert S. Dorsey the Distinguished Service Award.

### **J. WESLEY LEAS**

A scientist and loyal alumnus, J. Wesley Leas has maintained an active interest in the betterment of The Ohio State University. His leadership on the Alumni Advisory Board has been energetic and effective. His recommendations for the improvement of the University's Development Fund system demonstrated his special perception and sensitivity to the unique qualities of that area. Because of his continuing service to the University, despite the demanding schedule imposed by his professional obligations, The Ohio State University recognizes his dedication by conferring upon J. Wesley Leas the Distinguished Service Award.

### **JULIA L. MARINE**

For twenty-nine years Julia Marine has helped to plan, organize, and administer the Colleges of the Arts and Sciences. She supported the restructuring of the College of Arts and Sciences into its five distinct units, helping to preserve liberal arts education on this campus, while maintaining for her peers an atmosphere of order and quiet transition. She earned the appreciation and respect of students and faculty whose tasks were facilitated by her perception, skill, and counsel. The Ohio State University recognizes her dedication by conferring upon Julia L. Marine the Distinguished Service Award.

## Graduate School

Dean: Jules B. LaPidus

### Doctor of Musical Arts

Two candidates

Ann Kozuch Fairbanks, Chicago, Ill.  
Mus.B. (Oberlin College); M.A.T. (Yale University)  
*Field of Specialization:* Music  
*Advisers:* Dr. Robert A. Titus and Dr. Keith Mixer

Jean Mary Ohlsson, Harrisonburg, Va.  
B.M. (Ed.) (Madison College); M.A.  
*Field of Specialization:* Music  
*Adviser:* Dr. Robert A. Titus

### Doctor of Philosophy

Two hundred and forty-five candidates

Gennaro Anthony Acanfora, Colonial Heights, Va.  
B.S., Ed.M. (Rutgers University)  
*Field of Specialization:* Physical Education  
*Advisers:* Dr. Charles L. Mand and Dr. Edward Coates

Farid El-Mamoun Mohamed Ahmed, Columbus  
B.Sc., M.Sc. (Ain Shams University, United Arab  
Republic); M.S.  
*Field of Specialization:* Biophysics  
*Adviser:* Dr. Ronald W. Hart

Ronald Dwight Allerton, Hilliard  
B.S. (Cedarville College); M.S.  
*Field of Specialization:* Agronomy  
*Adviser:* Dr. Trevor G. Arscott

Ruth Ann Hart Althaus, Zanesville  
B.S., M.S. (Ohio University)  
*Field of Specialization:* Health Education (Physical  
Education)  
*Adviser:* Dr. Mary K. Beyrer

Moises Alvarez-Quintero, Bogota, Colombia  
Ingeniero Aunonomo (Universidad Nacional de  
Colombia); M.S. (University of Missouri)  
*Field of Specialization:* Agricultural Education  
*Adviser:* Dr. Clarence J. Cunningham

Ayad A. Al Zaydi, Baghdad, Iraq  
B.S. (University of Baghdad); M.S. (University of  
Wisconsin)  
*Field of Specialization:* Civil Engineering  
*Adviser:* Dr. Charles A. Moore

Richard Svend Andersen, Edmonton, Alta, Canada  
B.S., M.S.Agr. (University of Alberta)  
*Field of Specialization:* Agricultural Economics and  
Rural Sociology  
*Adviser:* Dr. Thomas A. Stout

Gilbert Wilson Atnip, Tampa, Fla.  
B.A. (Stetson University); M.A.  
*Field of Specialization:* Psychology  
*Adviser:* Dr. David Hothersall

Karol Ann Bailey-Roth, Athens  
B.S.J., M.Ed. (Ohio University)  
*Field of Specialization:* Psychology  
*Advisers:* Dr. Theodore J. Kaul and Dr. Lyle D. Schmidt

Ronald Dee Baker, Edmond, Okla.  
B.S. (Central State College)  
*Field of Specialization:* Mathematics  
*Adviser:* Dr. Richard M. Wilson

Robert James Balchunis, Delran, N. J.  
B.S. (Philadelphia College of Pharmacy and Science)  
*Field of Specialization:* Chemistry  
*Adviser:* Dr. John S. Swenton

Charles Richard Bantz, Minneapolis, Minn.  
B.S., M.A. (University of Minnesota)  
*Field of Specialization:* Communication  
*Adviser:* Dr. David H. Smith

Richard Vincent Barella, Parma  
B.S. (Central Connecticut State College); M.A. (Ball  
State University)  
*Field of Specialization:* Education  
*Adviser:* Dr. Willis E. Ray

Robert Raymond Barthelemy, Dayton  
B.S. in C.E., M.S. (Massachusetts Institute of  
Technology)  
*Field of Specialization:* Nuclear Engineering  
*Adviser:* Dr. Robert F. Redmond

Ira James Bates, Mount Prospect, Ill.  
B.A. (Berea College); M.P.H. (University of North  
Carolina)  
*Field of Specialization:* Preventive Medicine  
*Adviser:* Dr. Richard R. Lanese

Brian Michael Becher, Columbus  
B.S.  
*Field of Specialization:* Biophysics  
*Adviser:* Dr. Joseph Y. Cassim

William Walter Beck, Cleveland  
B.A. (Otterbein College); M.A. (University of Akron)  
*Field of Specialization:* Education  
*Adviser:* Dr. M. Eugene Gilliom

Donald Royce Beerwinkle, Canyon, Tex.  
B.S. (Agr.) (Agricultural and Mechanical College of  
Texas); M.S. (New Mexico State University)  
*Field of Specialization:* Animal Science  
*Adviser:* Dr. Charles F. Parker

M. Jeanine Bennett, Columbus  
B.A., M.S. (University of Washington)  
*Field of Specialization:* Physical Education  
*Adviser:* Dr. Barbara Nelson

Howard Cary Berk, University City, Mo.  
A.B. (Washington University)  
*Field of Specialization:* Chemistry  
*Adviser:* Dr. Leo A. Paquette

Neil David Berman, Jamaica, N. Y.  
B.A. (University of Michigan); M.A.  
*Field of Specialization:* English  
*Adviser:* Dr. James R. Kincaid

Robert Joseph Bertsch, Philadelphia, Pa.  
B.S. (Drexel Institute of Technology)  
*Field of Specialization:* Chemistry  
*Adviser:* Dr. Robert J. Ouellette

Joseph Randall Biggs, Pickerington  
B.S.Bus.Adm.  
*Field of Specialization:* Business Administration  
*Adviser:* Dr. Stanley T. Hardy

Sharon Estee Bleda, Silver Creek, N. Y.  
B.A. (Alfred University); M.A. (American University  
of Beirut)  
*Field of Specialization:* Sociology  
*Adviser:* Dr. Kent P. Schwirian

Barbara Kaye Boles, Dayton  
B.S.in Med.Diet., M.S.  
*Field of Specialization:* Education  
*Adviser:* Dr. Gregory L. Trzebiatowski

Robert Carl Bradbury, Altamonte Springs, Fla.  
B.S. (College of the Holy Cross); M.S.A. (George  
Washington University); M.S.  
*Field of Specialization:* Preventive Medicine  
*Adviser:* Dr. Thomas N. Chirikos

Denis Alan Breen, Cincinnati  
B.A.in Bus.Admin. (Northwestern University); M.A.  
*Field of Specialization:* Economics  
*Adviser:* Dr. Donald O. Parsons

Dudley E. Brown, Tuskegee Institute, Ala.  
B.S., M.Ed. (Tuskegee Institute)  
*Field of Specialization:* Education  
*Adviser:* Dr. Lonnie H. Wagstaff

Percy Bismarck Brown, Jr., Covington, Tenn.  
B.S. (Tennessee Agricultural and Industrial State  
University); M.B.A.  
*Field of Specialization:* Business Administration  
*Adviser:* Dr. James P. McNaul

Richard Dean Brown, Takoma Park, Md.  
B.A. (Columbia Union College); M.S.  
*Field of Specialization:* Zoology  
*Adviser:* Dr. Donald J. Borrer

William Francis Browne, Columbus  
B.S., M.A.  
*Field of Specialization:* Psychology  
*Adviser:* Dr. Philip M. Clark

Peter Julian Bukalski, Yellow Springs  
B.A., M.A. (University of Wisconsin); M.F.A.  
(University of California, Los Angeles)  
*Field of Specialization:* Education  
*Adviser:* Dr. Raphael O. Nystrand

Vaughn Paul Cable, Encino, Calif.  
B.S., M.S. (San Fernando Valley State College)  
*Field of Specialization:* Electrical Engineering  
*Adviser:* Dr. Robert J. Garbacz

Patrick Timothy Callahan, DeKalb, Ill.  
B.A., M.A. (Northern Illinois University)  
*Field of Specialization:* Political Science  
*Adviser:* Dr. Charles F. Hermann

Barbara Lynne Carter, Allen Park, Mich.  
B.A. (Western Michigan University); M.A.  
*Field of Specialization:* Classics  
*Adviser:* Dr. Charles L. Babcock

Steven Ray Carter, Cuyahoga Falls  
B.A. (Denison University); M.A.  
*Field of Specialization:* English  
*Adviser:* Dr. John M. Muste

Gwendolyn Cartledge, Pittsburgh, Pa.  
B.S., M.Ed. (University of Pittsburgh)  
*Field of Specialization:* Education  
*Adviser:* Dr. Vance W. Cotter

Mildred Jean Chambers, Sunnyside, Wash.  
B.S. (State College of Washington); M.S. (Michigan  
State University)  
*Field of Specialization:* Home Economics  
*Adviser:* Dr. Rachel M. Hubbard

Agnes Hui Chan, Hong Kong  
A.B. (Smith College); M.S.  
*Field of Specialization:* Mathematics  
*Adviser:* Dr. D. K. Ray-Chaudhuri

Da-Wun Chen, Taichung, Taiwan  
B.S. (Taiwan Cheng Kung University); M.S. (Florida  
Institute of Technology)  
*Field of Specialization:* Physics  
*Adviser:* Dr. K. Narahari Rao

Leigh R. Chiarelott, Sycamore, Ill.  
B.A., M.S.Ed. (Northern Illinois University)  
*Field of Specialization:* Education  
*Adviser:* Dr. Paul R. Klohr

Maria Regina Coccia, Columbus  
B.A., M.A., M.S.  
*Field of Specialization:* Anatomy  
*Adviser:* Dr. David L. Clark

John Arthur Cohen, Saskatoon, Sask., Canada  
B.S. (University of New England); M.Ed. (University  
of Saskatchewan)  
*Field of Specialization:* Education  
*Adviser:* Dr. Charlotte S. Huck

Joyce Janet Contrucci, Pittsburgh, Pa.  
B.A. (Newton College of the Sacred Heart); M.A.  
*Field of Specialization:* Psychology  
*Adviser:* Dr. Delos D. Wickens

Thom L. Cooper, Columbus  
B.A. (Allegheny College); M.Ed. (University of  
Pittsburgh)  
*Field of Specialization:* Education  
*Adviser:* Dr. Thomas M. Stephens

Michael Keith Cope, Battle Creek, Mich.  
B.S. (University of Michigan)  
*Field of Specialization:* Physiology  
*Adviser:* Dr. Lawrence T. Paul

- Alan Mitchell Corn, Lancaster, Pa.  
B.A. (Franklin and Marshall College) ; M.A.  
*Field of Specialization:* Classics  
*Adviser:* Dr. Mark P. Morford
- Niall Vincent Corwell, Johnson City, Tenn.  
B.S., M.A. (East Tennessee State University)  
*Field of Specialization:* Education  
*Adviser:* Dr. Donald G. Lux
- Patrick Richard Cotter, Leroy  
B.A. (Bowling Green State University) ; M.A.  
*Field of Specialization:* Political Science  
*Adviser:* Dr. C. Richard Hofstetter
- David Montgomery James Cross, Rockport, Mass.  
B.A. (University of Minnesota) ; M.A.  
*Field of Specialization:* Psychology  
*Adviser:* Dr. Frank M. Fletcher
- Rose Lynn Daniels, Parsippany, N. J.  
B.A. (Paterson State College) ; M.A.  
*Field of Specialization:* Health Education (Physical Education)  
*Adviser:* Dr. Mary K. Beyrer
- Balakrishnan Dasarathy, Tiruchirappa, India  
B.A. (University of Madras) ; M.S.  
*Field of Specialization:* Computer and Information Science  
*Adviser:* Dr. Lee J. White
- Harvey Jay Dattle, Westerville  
B.A. (Otterbein College) ; M.A.  
*Field of Specialization:* Education  
*Adviser:* Dr. Anthony C. Riccio
- Danny Joe Davis, Paoli, Ind.  
B.S. (Rose Polytechnic Institute)  
*Field of Specialization:* Biochemistry  
*Adviser:* Dr. Elizabeth L. Gross
- Betty Ann Denniston, Columbus  
B.A. (Iowa State Teachers College) ; M.S. (University of California at Los Angeles)  
*Field of Specialization:* Education  
*Adviser:* Dr. Donald J. Tosi
- William Leslie DeShay, Huntsville, Ala.  
B.A. (Oakwood College) ; M.S. (Alabama Agricultural and Mechanical College)  
*Field of Specialization:* Education  
*Adviser:* Dr. Donald J. Tosi
- Louis James Dizikes, Western Springs, Ill.  
B.S. (University of Illinois)  
*Field of Specialization:* Chemistry  
*Adviser:* Dr. Andrew Wojcicki
- Timothy Eugene Dykstra, Holland, Mich.  
A.B. (Hope College) ; M.A.  
*Field of Specialization:* English  
*Adviser:* Dr. Christian K. Zacher
- Lisa Susan Ede, Findlay  
B.S.Ed.; M.A. (University of Wisconsin)  
*Field of Specialization:* English  
*Adviser:* Dr. James R. Kincaid
- Robert Lee Evans, Jr., Washington, D.C.  
A.B. (University of South Dakota) ; M.Ed. (University of Virginia)  
*Field of Specialization:* Education  
*Adviser:* Dr. Charles M. Galloway
- R. Lee Eytcheson, Dayton  
B.V.E. (Long Beach State College) ; M.S. in Ed. (University of Dayton)  
*Field of Specialization:* Education  
*Adviser:* Dr. James K. Duncan
- James David Fairbanks, Youngstown  
B.A. (Greenville College) ; M.A.  
*Field of Specialization:* Political Science  
*Adviser:* Dr. Randall B. Ripley
- Jane Agnes Farrell, Avon, N. J.  
B.S. (Georgian Court College) ; M.S. (Drexel Institute of Technology)  
*Field of Specialization:* Home Economics  
*Adviser:* Dr. Mary Lapitsky
- Norman Ray Fausey, Fremont  
B.S. Agr., M.S.  
*Field of Specialization:* Agronomy  
*Adviser:* Dr. George S. Taylor
- Sister Etienne Flaherty, St. Joseph, Minn.  
B.A. (College of Saint Benedict) ; M.A. (University of Notre Dame)  
*Field of Specialization:* Education  
*Adviser:* Dr. Edward D. Allen
- Timothy Michael Flood, Elyria  
B.A. (Kent State University) ; M.A.  
*Field of Specialization:* Romance Languages and Literatures  
*Adviser:* Dr. Hans E. Keller
- Robert Lewis Folger, Bethel  
B.S. Agr., M.S.  
*Field of Specialization:* Dairy Science  
*Adviser:* Dr. Harold C. Hines
- Jeffrey Duane Ford, Edgewood, Md.  
B.S. (University of Maryland) ; M.S.  
*Field of Specialization:* Business Administration  
*Adviser:* Dr. H. Randolph Bobbitt, Jr.
- William Franklin Fox, Oxford  
B.S. (Miami University) ; M.A.  
*Field of Specialization:* Economics  
*Adviser:* Dr. William H. Oakland
- Larry John Fruit, Cambridge  
B.S. (Pennsylvania State University) ; M.S.  
*Field of Specialization:* Electrical Engineering  
*Adviser:* Dr. Claude E. Warren
- Evelyn Janice Gauthier, Bellvue, Wash.  
A.B. (Occidental College) ; M.A.  
*Field of Specialization:* Psychology  
*Adviser:* Dr. W. Bruce Walsh
- Gerard Raymond Giordano, Palisades Park, N. J.  
B.A. (University of Hawaii) ; M.A. (Jersey City State College)  
*Field of Specialization:* Education  
*Adviser:* Dr. Victor M. Rentel

- Alan Gary Gittis, Philadelphia, Pa.  
A.B. (Temple University); M.A.  
*Field of Specialization:* Psychology  
*Adviser:* Dr. David Hothersall
- Margaret Timmons Gittis, Syracuse, N. Y.  
B.S. (Saint Lawrence University); M.A.  
*Field of Specialization:* Psychology  
*Adviser:* Dr. Delos D. Wickens
- Ralph Joseph Gohring, Cincinnati  
B.A. (University of Dayton); M.Ed. (University of Cincinnati)  
*Field of Specialization:* Education  
*Adviser:* Dr. John C. Belland
- Tanhum Goldshmid, Ramat Gan, Israel  
B.Sc. (Bar-Ilan University); M.S. (Washington State University)  
*Field of Specialization:* Civil Engineering  
*Adviser:* Dr. Alan J. Rubin
- Carmel Leslie Golliday, Jr., Columbus  
B.S.E.E. (West Virginia University); M.S.  
*Field of Specialization:* Electrical Engineering  
*Adviser:* Dr. Hooshang Hemami
- John Thomas Grasso, Columbus  
B.S.  
*Field of Specialization:* Education  
*Adviser:* Dr. Donald P. Sanders
- Jerold M. Gruebel, Urbana, Ill.  
B.A. (University of Pittsburgh); M.S. (University of Illinois)  
*Field of Specialization:* Communication  
*Adviser:* Dr. Robert Monaghan
- Eileen L. Hagen, Parma  
B.A. (Case Western Reserve University); M.A.  
*Field of Specialization:* Psychology  
*Adviser:* Dr. Milton D. Hakel
- Edith Anne Hammond, Stow  
B.S. (Kansas State College); Ed.M. (Oregon State University)  
*Field of Specialization:* Home Economics  
*Adviser:* Dr. Claribel M. Taylor
- Lester Floyd Harris, Columbus  
B.S., M.S. (Ohio University)  
*Field of Specialization:* Medical Microbiology  
*Adviser:* Dr. Vincent V. Hamparian
- H. Rex Hartson, Webster, N. Y.  
B.S.E., M.S.E. (University of Michigan); M.S.  
*Field of Specialization:* Computer and Information Science  
*Adviser:* Dr. David K. Hsiao
- Kenneth Michael Haught, Clinton  
B.S. (University of Akron); M.S.  
*Field of Specialization:* Physics  
*Adviser:* Dr. K. Narahari Rao
- Karen Fox Hehrer, Postoria  
B.Mus. (Heidelberg College); M.A.  
*Field of Specialization:* Music  
*Adviser:* Dr. Richard H. Hoppin
- Robert Leo Heinemann, Blue Island, Ill.  
A.B. (Wheaton College, Illinois); M.A. (Illinois State University)  
*Field of Specialization:* Communication  
*Adviser:* Dr. James L. Golden
- John Joseph Helwig, Keokuk, Iowa  
B.S. (Western Illinois University); M.S.  
*Field of Specialization:* Education  
*Adviser:* Dr. John O. Cooper
- Thomas Stephen Herman, Youngstown  
B.A. (Youngstown State University); M.S.  
*Field of Specialization:* Pathology  
*Adviser:* Dr. S. Addanki
- Ernest Mark Hess, Lancaster, Pa.  
B.S. (Eastern Mennonite College); M.S.T. (Cornell University)  
*Field of Specialization:* Education  
*Adviser:* Dr. W. Frederick Staub
- Russell James Hibler, Teaneck, N. J.  
B.A. (Grove City College); M.A. (Bucknell University)  
*Field of Specialization:* Psychology  
*Adviser:* Dr. Henry R. Angelino
- Gerald Richard Hoekstra, Evergreen Park, Ill.  
A.B. (Calvin College); M.A.  
*Field of Specialization:* Music  
*Adviser:* Dr. Richard H. Hoppin
- David Alan Hoffman, Columbus  
A.B. (University of Rochester); M.A.  
*Field of Specialization:* Psychology  
*Adviser:* Dr. Malcolm M. Helper
- Joseph Lindbergh Hood, Centerville  
B.A. (Georgetown College); M.B.A. (University of Louisville)  
*Field of Specialization:* Education  
*Adviser:* Dr. William D. Dowling
- Thomas Franklin Horne, Butler, Pa.  
B.S. (Slippery Rock State College); M.A.  
*Field of Specialization:* Physical Education  
*Adviser:* Dr. Robert L. Bartels
- John Edwin House, Jackson  
B.S.  
*Field of Specialization:* Biochemistry  
*Adviser:* Dr. Roy A. Scott, III
- John Dutton Hurn, Chicago, Ill.  
B.S. (University of Illinois); M.Mus.Ed. (Roosevelt University)  
*Field of Specialization:* Music  
*Adviser:* Dr. Henry L. Cady
- Hollis Wilburn Huston, Jr., Jackson, Miss.  
A.B. (Oberlin College); M.A. (Tufts University)  
*Field of Specialization:* Theatre  
*Adviser:* Dr. Alan L. Woods
- John David Hymes, Jr., San Francisco, Calif.  
B.A. (Fresno State College); M.A.  
*Field of Specialization:* History  
*Adviser:* Dr. Sydney N. Fisher

- Abiodun Ijose, Ibadan, Nigeria  
B.A. (Hons.) (University of Ibadan); M.A.  
*Field of Specialization:* Public Administration  
*Adviser:* Dr. Sven B. Lundstedt
- Linda Bernice James, Lincoln, Neb.  
B.S.Ed., M.S. (Kansas State Teacher's College)  
*Field of Specialization:* Psychology  
*Adviser:* Dr. Harold B. Pepinsky
- Robert Oscar Johnson, Columbus  
B.S.E. (Math), B.S.E. (E.E.), M.S. (University of Michigan); M.S. (University of Illinois)  
*Field of Specialization:* Mathematics  
*Adviser:* Dr. Stefan Drobot
- John David Joscelyn, Columbus  
B.S. (Union College); M.S. (Rensselaer Polytechnic Institute)  
*Field of Specialization:* Industrial and Systems Engineering  
*Adviser:* Dr. Albert B. Bishop
- Robert Louis Joseph, Utica  
B.S. Food Tech., M.S.  
*Field of Specialization:* Horticulture  
*Adviser:* Dr. Wilbur A. Gould
- Otto Cleve Juelich, Forest Hills, N. Y.  
B.A. (Hofstra College); M.A.  
*Field of Specialization:* Computer and Information Science  
*Adviser:* Dr. Clinton R. Foulk
- Karen Lynn Kaigler, Muleshoe, Tex.  
B.S., M.S. (Texas Technical University)  
*Field of Specialization:* Home Economics  
*Adviser:* Dr. Mary Lapitsky
- Donald Lee Kalmey, Columbus  
B.A. (Bellarmine College); M.A. (Arizona State College); M.S.  
*Field of Specialization:* Computer and Information Science  
*Advisers:* Dr. Lee J. White and Dr. Douglas S. Kerr
- Richard John Kasper, Bloomington, Ind.  
B.S. (Stout State University); M.S. (Indiana University)  
*Field of Specialization:* Education  
*Adviser:* Dr. Neal E. Vivian
- Eugene Paul Keferl, Dayton  
B.S. (University of Dayton)  
*Field of Specialization:* Zoology  
*Advisers:* Dr. N. Wilson Britt and Dr. David H. Stansbery
- Gerald Alan Kesselman, New York, N. Y.  
A.B. (Case Western Reserve University); M.A.  
*Field of Specialization:* Psychology  
*Adviser:* Dr. Milton D. Hakei
- Richard Lee Kilmer, Monticello, Ind.  
B.S.A., M.S. (Purdue University)  
*Field of Specialization:* Agricultural Economics and Rural Sociology  
*Adviser:* Dr. David E. Hahn
- Linda Amy Kimball, Bryn Mawr, Pa.  
B.S.Ed., M.A.  
*Field of Specialization:* Anthropology  
*Adviser:* Dr. Thomas R. Williams
- Konrad Thomas Kmetz, Lakewood  
B.S. (Ohio University); M.S.  
*Field of Specialization:* Plant Pathology  
*Adviser:* Dr. A. F. Schmitthenner
- George Edmund Koleszar, Bloomfield, N. J.  
B.S.E.E. (Newark College of Engineering); M.S.E.E. (University of Missouri)  
*Field of Specialization:* Electrical Engineering  
*Adviser:* Dr. Ralph T. Compton, Jr.
- J. Nognwulo Kolleh, Monrovia, Liberia  
B.A., M.S. (California State University, San Francisco)  
*Field of Specialization:* Education  
*Adviser:* Dr. James J. Buffer, Jr.
- Terry Ira Korotzer, Louisville, Ky.  
B.S. (Bowling Green State University); M.S. (University of Kentucky)  
*Field of Specialization:* Medical Microbiology  
*Adviser:* Dr. Norman L. Somerson
- Frances Magdalena Kosnik, Baltimore, Md.  
B.A. (Mount Saint Agnes College); M.A. (Middlebury College)  
*Field of Specialization:* Education  
*Adviser:* Dr. Edward D. Allen
- Norman Gene Kruedelbach, Columbus  
B.A., M.A.  
*Field of Specialization:* Psychology  
*Adviser:* Dr. John E. Horrocks
- Rodney Matthew Kueneman, Kitchener, Ont., Canada  
B.A. (University of Waterloo); M.A.  
*Field of Specialization:* Sociology  
*Adviser:* Dr. Enrico L. Quarantelli
- Gary Paul Lambour, Columbus  
B.A. (Saint Francis College); M.Ed. (University of Pittsburgh)  
*Field of Specialization:* Education  
*Adviser:* Dr. John O. Cooper
- Robert Benjamin Levy, Philadelphia, Pa.  
B.S. (Muhlenberg College); M.S.  
*Field of Specialization:* Anatomy  
*Adviser:* Dr. Ronald L. St. Pierre
- Tsung-I Lin, Taipei, Taiwan  
B.S. (National Taiwan University)  
*Field of Specialization:* Biophysics  
*Adviser:* Dr. Joseph Y. Cassim
- Kar Pui Lok, Kowloon, Hong Kong  
B.A. (Fresno State College)  
*Field of Specialization:* Chemistry  
*Adviser:* Dr. Robert J. Ouellette
- Donald Peter Lokuta, Clark, N. J.  
B.A. (Newark State College); M.A. (Montclair State College)  
*Field of Specialization:* Education  
*Adviser:* Dr. Robert W. Wagner
- Edwin Michael Loois, Columbus  
B.A. (Shepard College); M.A.  
*Field of Specialization:* Physical Education  
*Adviser:* Dr. Walter F. Ersing

Larry Neil Mackey, Bloomington, Ind.  
B.S. (Indiana University)  
*Field of Specialization:* Chemistry  
*Adviser:* Dr. Theodore Kuwana

Mary Guernsey MacVicar, Columbus  
B.S. (Nurs) (University of Colorado); M.S., M.A.  
*Field of Specialization:* Sociology  
*Adviser:* Dr. Saad Z. Nagi

Barry A. Macy, Columbus  
B.B.A., M.B.A. (Ohio University)  
*Field of Specialization:* Business Administration  
*Adviser:* Dr. James P. McNaull

Daniel Joseph Madden, Jr., Gibbsboro, N. J.  
B.A. (LaSalle College); M.S.  
*Field of Specialization:* Mathematics  
*Adviser:* Dr. Manohar L. Madan

Edward John Malecki, Jr., Columbus  
B.A., M.A.  
*Field of Specialization:* Geography  
*Adviser:* Dr. Lawrence A. Brown

Gail Eileen Mallard, North Canton  
B.A. (Ohio Wesleyan University); M.S.  
*Field of Specialization:* Microbiology  
*Adviser:* Dr. James I. Frea

Robert Atis Markovs, Willow Grove, Pa.  
B.S. (University of Michigan); M.A. (Duke University)  
*Field of Specialization:* Chemistry  
*Adviser:* Dr. Derek Horton

Peter Maclyn Martin, Talmadge  
B.S. (Case Western Reserve University); M.S.  
*Field of Specialization:* Physics  
*Adviser:* Dr. James C. Garland

John Nick Marzella, Shadyside  
B.S.J., M.Ed. (Ohio University)  
*Field of Specialization:* Education  
*Adviser:* Dr. Donald J. Tosi

Edward David McDowell, Orrville  
B.S.; M.S. (Ohio University)  
*Field of Specialization:* Industrial and Systems  
Engineering  
*Adviser:* Dr. Thomas H. Rockwell

John Lancer McGruder, Bethesda, Md.  
B.S. (Xavier University); M.A.  
*Field of Specialization:* Public Administration  
*Adviser:* Dr. Harry E. Allen

John Bernard McKeon, Columbus  
B.A. (Johns Hopkins University); M.S. (University of  
Maine)  
*Field of Specialization:* Geology and Mineralogy  
*Adviser:* Dr. Richard P. Goldthwait

Anthony Louis Mescher, Celina  
B.S. (Saint Joseph's College); M.S.  
*Field of Specialization:* Zoology  
*Adviser:* Dr. Roy A. Tassava

Mary Calland Metts, Columbus  
B.S.Ed., M.A.  
*Field of Specialization:* Education  
*Adviser:* Dr. Joseph J. Quaranta

Frank Schriver Mills, Columbus  
B.E.E., M.S.  
*Field of Specialization:* Electrical Engineering  
*Adviser:* Dr. Ronald K. Long

Susan Anzivino Mishler, Hubbard  
B.A. (University of Dayton); M.A.  
*Field of Specialization:* Psychology  
*Adviser:* Dr. W. Bruce Walsh

Howard Herbert Moon, Jr., New Philadelphia  
B.S. (University of Wisconsin); B.S.Ed., M.A.  
*Field of Specialization:* Education  
*Adviser:* Dr. Ross L. Mooney

Charles Isaac Moore, Caldwell  
B.R.E. (Nyac Missionary College); B.A. (Muskingum  
College); M.A.  
*Field of Specialization:* Education  
*Adviser:* Dr. George L. Lewis

Gary Elwood Moore, Beverly  
B.S. (Tarleton State College); M.S.  
*Field of Specialization:* Agricultural Education  
*Adviser:* Dr. Ralph E. Bender

Peter Booth Mosenthal, Chagrin Falls  
B.A. (College of Wooster); M.A.  
*Field of Specialization:* Education  
*Adviser:* Dr. Victor M. Rentel

Jack Michael Moshell, Cuthbert, Ga.  
B.S. (Phys) (Georgia Institute of Technology)  
*Field of Specialization:* Computer and Information  
Science  
*Adviser:* Dr. Jerome Rothstein

Thomas Patrick Murphy, Bronx, N. Y.  
B.A. (Fordham University); M.A.  
*Field of Specialization:* English  
*Adviser:* Dr. Stanley J. Kahl

Donald Karl Myers, Wooster  
B.S.Agr.; M.S. (Michigan State University)  
*Field of Specialization:* Agricultural Education  
*Adviser:* Dr. Robert W. McCormick

Barry L. Nobel, Philadelphia, Pa.  
B.A., A.M. (University of Pennsylvania)  
*Field of Specialization:* Linguistics  
*Adviser:* Dr. Arnold M. Zwicky

Ronald Elliot Nusenoff, Worcester, Mass.  
A.B. (Cornell University); M.A.  
*Field of Specialization:* Philosophy  
*Adviser:* Dr. William G. Lyan

Robert Alan Nuttelman, Medway  
B.S., M.S. (Kansas State University)  
*Field of Specialization:* Nuclear Engineering  
*Advisers:* Dr. Harold M. Epstein and Dr. Robert F.  
Redmond

John Joseph O'Connell, Columbus  
B.A. (Western Washington State College); M.S.  
(University of Oregon); M.B.A.  
*Field of Specialization:* Business Administration  
*Adviser:* Dr. David L. Bickelhaupt

Martin Robert Okos, Sylvania  
B.S.FoodTech., M.S.

*Field of Specialization:* Chemical Engineering  
*Adviser:* Dr. Aldrich Syverson

Antonio Joaquim de Oliveira, Sao Paulo, Brazil  
Engenheiro Agronomo (Universidade de Sao Paulo)  
*Field of Specialization:* Food Science and Nutrition  
*Adviser:* Dr. E. M. Mikolajcik

Charles Rollin Olson, Columbus  
B.A., B.S. (Moorhead State College); M.A.  
*Field of Specialization:* English  
*Adviser:* Dr. A. E. Wallace Maurer

Geraldine Iva Olson, Columbus  
B.S. (University of Wisconsin); M.A. (Cornell University)  
*Field of Specialization:* Home Economics  
*Adviser:* Dr. Ruth E. Deacon

Lawrence Jerome Olszewski, East Hartford, Conn.  
B.A. (South Connecticut State College); M.A.  
*Field of Specialization:* Romance Languages and Literatures  
*Adviser:* Dr. Salvador Garcia

William Earl Over, North Chelmsford, Mass.  
B.A. (University of Massachusetts); M.A. (University of Connecticut)  
*Field of Specialization:* Theatre  
*Adviser:* Dr. Donald R. Glancy

David Emerson Padgett, Louisville, Ky.  
A.B. (Duke University); M.S.  
*Field of Specialization:* Botany  
*Adviser:* Dr. Roland L. Seymour

Adilson Dias Paschoal, Piracicaba, Brazil  
Eng. Agronomo (Universidade de Sao Paulo)  
*Field of Specialization:* Zoology  
*Adviser:* Dr. Donald E. Johnston

Mary Lee Corder Peck, Columbus  
B.S.Ed., M.A.  
*Field of Specialization:* Education  
*Adviser:* Dr. Roger T. Cunningham

Dan Edward Perin, Columbus  
B.S., M.S. (Brigham Young University)  
*Field of Specialization:* Geography  
*Adviser:* Dr. R. Keith Semple

William Joseph Petrie, Columbus  
A.B. (San Diego State College); M.S. (Indiana University)  
*Field of Specialization:* Education  
*Adviser:* Dr. Aaron J. Miller

Donald Lynn Pfost, Polo, Mo.  
B.S. in Agr. E., M.S. in Agr. E. (University of Missouri)  
*Field of Specialization:* Agricultural Engineering  
*Adviser:* Dr. Gordon L. Nelson

Harvey Marvin Pickrum, Columbus  
B.S., M.S.  
*Field of Specialization:* Microbiology  
*Adviser:* Dr. Patrick R. Dugan

Gay Su Pinnell, Columbus  
B.A. (Eastern New Mexico University); M.A.  
*Field of Specialization:* Education  
*Adviser:* Dr. Martha L. King

Rex Joe Prater, Columbus  
B.S.Ed., M.A.  
*Field of Specialization:* Communication  
*Adviser:* Dr. John W. Black

Clifford Warren Price, Columbus  
B.S. Met. Engr. (Colorado School of Mines); M.S.  
*Field of Specialization:* Metallurgical Engineering  
*Adviser:* Dr. John P. Hirth

Donald Binford Pruitt, Blacksburg, Va.  
B.A. (Middle Tennessee State College); M.A.  
(Georgetown University)  
*Field of Specialization:* Slavic Languages and Literatures  
*Adviser:* Dr. Jerzy Krzyzanowski

Keith Lynn Raitz, Champaign, Ill.  
B.S.Ed.  
*Field of Specialization:* Education  
*Adviser:* Dr. Gerald M. Reagan

Randall James Rimmel, Columbus  
B.Sc. (Illinois State University)  
*Field of Specialization:* Chemistry  
*Adviser:* Dr. Sheldon G. Shore

William Leon Richards, Jackson  
B.S. Agl. Bio.  
*Field of Specialization:* Biochemistry  
*Adviser:* Dr. George S. Serif

William Harvey Riffée, Elkins, W. Va.  
B.S. (West Virginia University)  
*Field of Specialization:* Pharmacy  
*Adviser:* Dr. Michael C. Gerald

Dennis Patrick Riley, Columbus  
B.S. Phar. (Heidelberg College)  
*Field of Specialization:* Chemistry  
*Advisers:* Dr. John S. Swenton and Dr. Daryle H. Busch

Keith Vincent Rohrbach, Plain City  
B.S.Food Tech., M.S.  
*Field of Specialization:* Agricultural Education  
*Adviser:* Dr. Ralph E. Bender

Donald Karl Rosenberg, Akron  
A.B. (Princeton University); M.A. (Johns Hopkins University)  
*Field of Specialization:* German  
*Adviser:* Dr. Wolfgang Fleischhauer

SaraJane Rowland, Lake Forest, Ill.  
B.S.Ed., M.A.  
*Field of Specialization:* Education  
*Adviser:* Dr. Joseph J. Quaranta

John Hamilton Russel, III, Toledo  
A.B. (Illinois College); M.A.  
*Field of Specialization:* Education  
*Adviser:* Dr. Herman J. Peters



Phillip Michael Russo, Willoughby Lake  
B.S.E.E. (Purdue University); M.S.  
*Field of Specialization:* Computer and Information  
Science  
*Advisers:* Dr. James E. Rush and Dr. Anthony E.  
Petrarca

Robert Allen Saftner, Glenshaw, Pa.  
B.A. (Slippery Rock State College); M.S.  
*Field of Specialization:* Botany  
*Advisers:* Dr. Michael L. Evans and Dr. Philip B.  
Hollander

David O. Salczer, Columbus  
B.A., M.A.  
*Field of Specialization:* Education  
*Adviser:* Dr. Donald R. Bateman

Eleanore C. Sankowski, Hurricane, W. Va.  
A.B. in Edu. (West Virginia State College); M.A.  
*Field of Specialization:* Education  
*Adviser:* Dr. Charles M. Galloway

Viswanathan Santhanam, Tamil Nadu, India  
B.Tech. (Indian Institute of Technology)  
*Field of Specialization:* Computer and Information  
Science  
*Adviser:* Dr. Lee J. White

Francis Michael Schloss, Cincinnati  
B.S. (Xavier University)  
*Field of Specialization:* Chemistry  
*Adviser:* Dr. Robert J. Ouellette

Edward John Schober, Cleveland  
B.A. (Cleveland State University); M.A.  
*Field of Specialization:* Education  
*Adviser:* Dr. Ross L. Mooney

James Alan Seguin, Columbus  
B.A. (Le Moyne College); M.A. (Michigan State  
University)  
*Field of Specialization:* Communication  
*Adviser:* Dr. Robert Monaghan

Charles Leroy Selman, Ravenden, Ark.  
B.S. (Arkansas State University); M.S.  
*Field of Specialization:* Entomology  
*Adviser:* Dr. Charles A. Triplehorn

Brady Llewellyn Shafer, Dunbar, W. Va.  
B.A. (Evansville College); M.A. (Louisiana State  
University); M.S.  
*Field of Specialization:* Education  
*Advisers:* Dr. Jon L. Higgins and Dr. Alan R. Osborne

Paul S. Shaker, Orrville  
B.A., M.A.  
*Field of Specialization:* Education  
*Adviser:* Dr. Paul R. Klohr

Ella Walton Shannon, Perrysville  
B.S. Edu. (Ashland College); M.A.  
*Field of Specialization:* Physical Education  
*Adviser:* Dr. Bruce L. Bennett

Jon Wesley Sharer, Chicago, Ill.  
B.A. (Roosevelt University); M.S. (Illinois Institute of  
Technology)  
*Field of Specialization:* Art Education  
*Adviser:* Dr. Kenneth Marantz

Yan-Chi Shi, Taipei, Taiwan  
B.Sc. (National Taiwan Normal University); M.S.  
*Field of Specialization:* Physics  
*Adviser:* Dr. James R. Gaines

Jhi Tzeng Shih, Taipei, Taiwan  
B.Sc. (National Taiwan University); M.S. (University  
of Hawaii)  
*Field of Specialization:* Agricultural Economics and  
Rural Sociology  
*Advisers:* Dr. Norman Rask and Dr. Leroy J. Hushak

Howard J. Silver, Columbus  
B.A. (City College); M.A.  
*Field of Specialization:* Political Science  
*Adviser:* Dr. Randall B. Ripley

Clifford Earl Simonsen, Tacoma, Wash.  
B.S. (University of Omaha); M.S. (Florida State  
University); M.P.A.  
*Field of Specialization:* Public Administration  
*Adviser:* Dr. Sven Lundstedt

John Howard Skillings, Columbus  
B.S. (Manchester College); M.S. (Miami University)  
*Field of Specialization:* Statistics  
*Adviser:* Dr. Douglas A. Wolfe

John Paul Slesman, Wooster  
B.A. (College of Wooster)  
*Field of Specialization:* Plant Pathology  
*Adviser:* Dr. Curt Leben

Curtis Johnston Smith, Thousand Oaks, Calif.  
B.A. (California Lutheran College); M.A.  
*Field of Specialization:* English  
*Adviser:* Dr. John B. Gabel

Jack Ely Smith, Centerville, Utah  
B.S. (University of Utah); M.A.  
*Field of Specialization:* Psychology  
*Adviser:* Dr. Milton D. Hake

Bernard Benjamin Spiegel, Columbus  
B.S. (Ohio University); M.A. (Syracuse University)  
*Field of Specialization:* Communication  
*Adviser:* Dr. John W. Black

Henry Ssali, Kampala, Uganda  
B.S. (University of East Africa); M.S. (Makerere  
University)  
*Field of Specialization:* Agronomy  
*Adviser:* Dr. Eugene O. McLean

Barbara Thornton Stahura, Cleveland  
B.A. (Baldwin-Wallace College)  
*Field of Specialization:* Agricultural Economics and  
Rural Sociology  
*Adviser:* Dr. G. Howard Phillips

John Michael Stahura, Hammond, Ind.  
B.A., B.S. (Saint Joseph's College); A.M. (Indiana  
University)  
*Field of Specialization:* Sociology  
*Adviser:* Dr. Kent P. Schwirian

David Webb Stockburger, Springfield, Mo.  
A.B. (Ohio University); M.A.  
*Field of Specialization:* Psychology  
*Adviser:* Dr. Mari Riess Jones

- Roger Lee Stone, Elyria  
B.S. (Penn College); M.S. (University of Rhode Island)  
*Field of Specialization:* Animal Science  
*Adviser:* Dr. Jack H. Cline
- Roger Price Stradley, Columbus  
B.S. Ag., M.S. (University of Delaware)  
*Field of Specialization:* Veterinary Physiology and Pharmacology  
*Adviser:* Dr. Roger A. Yeary
- Paul John Strand, Big Lake, Minn.  
B.A. (Macalaster College); M.A. (University of Illinois)  
*Field of Specialization:* Political Science  
*Adviser:* Dr. Stuart J. Thorson
- Mark Stephen Strauch, Columbus  
B.S.  
*Field of Specialization:* Pharmacology  
*Adviser:* Dr. Philip B. Hollander
- Ignatius M. Sylvestre, Canton  
B.A. (La Mennais College); M.A. (Catholic University of America)  
*Field of Specialization:* Sociology  
*Adviser:* Dr. Christen T. Jonassen
- William Benjamin Symons, Columbus  
B.S. Agr. (California State University, Chico); M.S. (California State University, Fresno)  
*Field of Specialization:* Agricultural Education  
*Adviser:* Dr. Richard H. Wilson
- Michael Ming-Chih Sze, Hayward, Calif.  
B.Sc. (University of Hong Kong); M.S. (California State College, Hayward)  
*Field of Specialization:* Mathematics  
*Adviser:* Dr. Louis Sucheston
- Davie Tate, Jr., Columbus  
B.S. (Ohio University); M.A.  
*Field of Specialization:* Education  
*Adviser:* Dr. Johanna S. DeStefano
- Jack Douglas Taylor, Nashville, Tenn.  
B.S., M.A. (George Peabody College for Teachers)  
*Field of Specialization:* Education  
*Adviser:* Dr. W. Frederick Staub
- James Rountree Temples, Vidalia, Ga.  
A.B. (University of Georgia); M.A.  
*Field of Specialization:* Political Science  
*Adviser:* Dr. Randall B. Ripley
- Karen Margret Thatcher, Columbus  
B.A., M.A. (Miami University)  
*Field of Specialization:* Psychology  
*Adviser:* Dr. David Hotherhall
- Woodrow Burr Thompson, Plymouth, N.H.  
A.B. (Dartmouth College); M.S. (University of Vermont)  
*Field of Specialization:* Geology and Mineralogy  
*Adviser:* Dr. Sidney E. White
- Dawn Margaret Toohey, Amherst, Mass.  
B.S., M.Ed. (University of Massachusetts)  
*Field of Specialization:* Physical Education  
*Adviser:* Dr. Seymour Kleinman
- Lawrence Wayne Torley, Wilton, Conn.  
B.S. (Dickinson College); M.S.  
*Field of Specialization:* Physiology  
*Adviser:* Dr. Harold S. Weiss
- Donald Eugene Troike, Jr., Columbus  
B.S. (Capital University)  
*Field of Specialization:* Physiology  
*Adviser:* Dr. Margaret T. Nishikawara
- David Samuel Trushin, Dobbs Ferry, N. Y.  
B.A. (Johns Hopkins University); M.S.  
*Field of Specialization:* Mathematics  
*Advisers:* Dr. Harry P. Allen and Dr. Hans J. Zassenhaus
- Brian Huong-peng Tsou, Sun Valley, Calif.  
B.S. (West Virginia State College)  
*Field of Specialization:* Biophysics  
*Adviser:* Dr. Carl R. Ingling, Jr.
- Melvin Stephenson Ulm, Tallahassee, Fla.  
B.A., M.A. (Florida State University); M.A.  
*Field of Specialization:* Philosophy  
*Adviser:* Dr. William G. Lyan
- Shirli Billings Vioni, Cincinnati  
B.S., M.Ed. (University of Cincinnati)  
*Field of Specialization:* Education  
*Adviser:* Dr. Luvern L. Cunningham
- Theodore Clarence Wagenaar, Columbus  
A.B. (Calvin College); M.A.  
*Field of Specialization:* Sociology  
*Adviser:* Dr. Ronald G. Corwin
- Aregay Waktola, Alemaya, Ethiopia  
B.S. (Imperial Ethiopian College of Agriculture and Mechanical Arts); M.S. (University of Wisconsin)  
*Field of Specialization:* Agricultural Education  
*Adviser:* Dr. Clarence J. Cunningham
- Jeffrey Louis Walters, Columbus  
B.S., M.S. (Rutgers University)  
*Field of Specialization:* Dairy Science  
*Adviser:* Dr. Walter R. Harvey
- Edward Roy Ward, Jr., Cullman, Ala.  
A.B. (Saint Bernard College); M.S.  
*Field of Specialization:* Botany  
*Adviser:* Dr. John A. Schmitt
- John Freeman Weet, Medina  
B.S. (Saint Lawrence University); M.S.  
*Field of Specialization:* Physiology  
*Adviser:* Dr. Stephen J. LeBrie
- Ting Yung Wei, Taipei, Taiwan  
B.E. (Chung Yuan Christian College of Science and Engineering); M.S. (New Mexico State University)  
*Field of Specialization:* Engineering Mechanics  
*Adviser:* Dr. Karl F. Graff
- Judith Bess Weinstein, Far Rockaway, N. Y.  
B.A. (State University of New York at Binghamton)  
*Field of Specialization:* Chemistry  
*Adviser:* Dr. Richard F. Firestone
- Richard James Wilders, Columbus  
B.S. (Carnegie Institute of Technology); M.S.  
*Field of Specialization:* Education  
*Adviser:* Dr. Harold C. Trimble
- Forrest Baird Williams, Columbus  
B.S. (State College of Arkansas); M.A.  
*Field of Specialization:* Geography  
*Adviser:* Dr. Emilio Casetti

John Paul Williams, Laramie, Wyo.  
B.S., M.S. (University of Wyoming)  
*Field of Specialization:* Chemistry  
*Adviser:* Dr. Andrew Wojcicki

Jane Louise Winer, Falls Church, Va.  
B.A., M.L.S. (State University of New York at Albany);  
M.A.  
*Field of Specialization:* Psychology  
*Adviser:* Dr. Samuel H. Osipow

Phillip Melvin Wishon, Columbus  
B.S., M.A.  
*Field of Specialization:* Education  
*Adviser:* Dr. Alexander Frazier

Richard Lee Wolgemuth, Lansdale, Pa.  
B.S. (Ashland College); M.S.  
*Field of Specialization:* Physiology  
*Adviser:* Dr. Kenneth M. Hanson

James Richard Woolard, Newark  
B.A. (Muskingum College); M.A.  
*Field of Specialization:* History  
*Adviser:* Dr. Harry L. Coles

Kathryn Williams Wright, Huntington, W. Va.  
B.A., M.A. (Marshall University)  
*Field of Specialization:* Education  
*Adviser:* Dr. Lorren L. Stull

Robert Richard Wright, Columbus  
B.A. (Butler University); M.S.  
*Field of Specialization:* Education  
*Adviser:* Dr. Victor J. Mayer

Patrick Yuhmin Yang, Taipei, Taiwan  
B.S. (National Chigo Tong University); M.S.  
(University of Cincinnati)  
*Field of Specialization:* Electrical Engineering  
*Adviser:* Dr. Robert B. McGhee

Shu-O Wu Yang, Taipei, Taiwan  
B.A. (Tunghai University); M.A. (Ohio University)  
*Field of Specialization:* Agricultural Economics and  
Rural Sociology)  
*Adviser:* Dr. C. Howard Phillips

Vincent Chai-Tse Yen, Taipei, Taiwan  
B.Sc. (National Taiwan Normal University); M.A.  
(University of Oregon)  
*Field of Specialization:* Industrial and Systems  
Engineering  
*Adviser:* Dr. John B. Neuhardt

Keith Allan Young, Columbus  
A.B., M.A. (San Diego State College)  
*Field of Specialization:* Communication  
*Adviser:* Dr. John W. Black

Sharon Faith Young, Scotch Plains, N. J.  
B.A. (Shepherd College); M.S. (University of Illinois)  
*Field of Specialization:* Home Economics  
*Advisers:* Dr. Claribel M. Taylor and Dr. Ellen Hock

Raymond Andrew Zepp, New Concord  
B.A. (Oberlin College); M.A. (University of Cincinnati)  
*Field of Specialization:* Education  
*Adviser:* Dr. Jon L. Higgins

Andrew Stephen Zolnay, Sandusky  
B.S. (Saint Joseph's College); B.S.Phys.; M.S. (Miami  
University); M.S.  
*Field of Specialization:* Nuclear Engineering  
*Adviser:* Dr. Don W. Miller

## Master of Accounting

Five candidates

Vinod B. Bavishi, Columbus  
B.Com. (Gujarat University, India);  
M.B.A. (Wright State University)  
*Field of Specialization: Accounting*

Robbie N. Beattie, Bucyrus  
B.A. (Miami University)  
*Field of Specialization: Accounting*

Herbert William Kierspel, Columbus  
B.S.Bus.Adm., M.B.A.  
*Field of Specialization: Accounting*

Edwin J. Kohl, Dayton  
B.A. (University of Michigan)  
*Field of Specialization: Accounting*

Luen-Fai Leung,  
Kowloon, Hong Kong  
B.S.Bus.Adm. (University of Texas)  
*Field of Specialization: Accounting*

## Master of Architecture

Seven candidates

Richard Thomas Broderick,  
Riverdale, Md.  
B.Arch. (Pennsylvania State  
University)  
*Field of Specialization: Architecture*

Yeongjin Cho, Chardon  
B.S. (Inha University, Korea);  
B.Arch. (Case Western Reserve  
University)  
*Field of Specialization: Architecture*

Anat Mintz Geva, Columbus  
B.Arch. (Technion-Israel Institute of  
Technology, Israel)  
*Field of Specialization: Architecture*

Richard Olivier Graber,  
Fairfield, Calif.  
A.B. (University of California,  
Berkeley)  
*Field of Specialization: Architecture*

Bijan Homayoun, Tehran, Iran  
Diploma (Technological Institute of  
Frankfurt/Main, Germany)  
*Field of Specialization: Architecture*

Terry Allan Siegall, Miami, Fla.  
B. of Design (University of Florida)  
*Field of Specialization: Architecture*

Christopher Andrew Warner,  
Baldwinsville, N. Y.  
B.Arch. (Kansas State University)  
*Field of Specialization: Architecture*

## Master of Arts

Four hundred and fifty-three candidates

Joseph Richard Adams, Columbus  
B.S.Ed.  
*Field of Specialization: Education*

Michael Boyd Alexander, Columbus  
A.B. (Harvard College)  
*Field of Specialization: Education*

Deanna Baker Alkire, Columbus  
B.S.Ed.  
*Field of Specialization: Education*

Jacqueline F. Allen, Memphis, Tenn.  
A.B. (Lincoln University)  
*Field of Specialization: English*

Grace Joann Allison, Circleville  
A.B. (Marion College)  
*Field of Specialization: Education*

Barry Lee Alpart, Columbus  
B.A. (Bowling Green State  
University)  
*Field of Specialization: Public  
Administration*

Lawrence M. Andrzejewski, Toledo  
B.S.Ed.  
*Field of Specialization: Physical  
Education*

Veronica Anthony, Macon, Ga.  
B.S. (Fort Valley State College)  
*Field of Specialization: Physical  
Education*

Alice Brandt Appel, Versailles  
B.S. (Capital University)  
*Field of Specialization: Education*

Doris Axe Applegate, Columbus  
B.S.Ed. (Ohio University)  
*Field of Specialization:  
Communication*

Lynn Marie Luderer Appleton,  
Columbus  
B.A. (Drew University)  
*Field of Specialization: English*

Alexander Wilson Arthur,  
Accra, Ghana  
B.S. (Louisiana State University  
and Agricultural and Mechanical  
College)  
*Field of Specialization: Black Studies*

Nancy F. Arthur, Columbus  
B.S.Ed.  
*Field of Specialization: Education*

Lee Steven Backston,  
Scarsdale, N. Y.  
B.S. (East Stroudsburg State  
College)  
*Field of Specialization: Physical  
Education*

Bruce Edward Badke, Commack, N.Y.  
B.A. (Adelphi University)  
*Field of Specialization: Psychology*

Jean Bechtel Baeslack, Lima  
B.S.Ed.  
*Field of Specialization: Political  
Science*

Arlene Baker, Pataskala  
B.S.Ed.  
*Field of Specialization: Education*

Gary Baker, Cleveland  
B.A.  
*Field of Specialization: Black Studies*

Dolores Irene Kaminski Barber,  
Newark  
B.S.Ed.  
*Field of Specialization: Education*

Paula Cassandra Barnes,  
Buffalo, N. Y.  
B.A. (Oakwood College)  
*Field of Specialization: Education*

Dean Ellsworth Barr, Ashville  
B.A. (Otterbein College)  
*Field of Specialization: Education*

\*Neil Scott Barr, Amanda  
*Field of Specialization: English*

June Shearer Bauer, Galion  
B.S.Ed.  
*Field of Specialization: Education*

Albert Anthony Bauhof, Columbus  
B.A. (Cleveland State University)  
*Field of Specialization: Public  
Administration*

Beverly Gay Becher, Cuyahoga Falls  
B.S.Ed.  
*Field of Specialization: Health  
Education (Physical Education)*

Kristin Glaser Beebe, Newark  
B.S.Ed.  
*Field of Specialization: Education*

Linda Gail Beekman, Columbus  
B.S.Ed.  
*Field of Specialization: Health  
Education (Physical Education)*

\* Also Bachelor of Arts, Colleges of the  
Arts and Sciences

- James Owen Belcher, Columbus  
B.A. (Miami University)  
*Field of Specialization: English*
- Mary Chambers Bendycki, Columbus  
B.S.Ed.  
*Field of Specialization: Education*
- Gail M. Bennett, Oak Hill, N. Y.  
B.S. (State University of New York  
College at Brockport)  
*Field of Specialization: Physical  
Education*
- Jonathon Lee Benson, Dayton  
B.A. (Miami University)  
*Field of Specialization: Political  
Science*
- Eugene Paul Berg, New York, N. Y.  
B.S. in Ed. (University of Nebraska)  
*Field of Specialization: Journalism*
- Robert Gary Berns, Urbana  
B.S.Ed. (Bowling Green State  
University)  
*Field of Specialization: Education*
- Richard Allen Berry, Fredericktown  
B.Mus.Ed.  
*Field of Specialization: Music*
- Lawrence Howard Bettler, Columbus  
B.A. (Otterbein College)  
*Field of Specialization: Education*
- Anna S. Bishop, Columbus  
B.S.Ed.  
*Field of Specialization: Black Studies*
- Barbara Anne Black, Columbus  
B.S.Ed.  
*Field of Specialization: Education*
- Sally Vincent Blackmore, Columbus  
B.S.Ed.  
*Field of Specialization: Education*
- Joyce H. Bolden, Columbus  
B.S. (North Carolina College)  
*Field of Specialization: Education*
- Michael A. Bonadio, Westerville  
B.F.A., B.Art Ed.  
*Field of Specialization: Art  
Education*
- Bonnie M. Bowersox, Riveredge, N. J.  
B.A. (Pennsylvania State  
University)  
*Field of Specialization: Journalism*
- Wendy Lynette Bray,  
Wilmington, Del.  
B.S.Ed.  
*Field of Specialization: Education*
- Gail Moran Breaugh, Columbus  
A.B. (Emmanuel College)  
*Field of Specialization: Education*
- Robert C. Brelsford, Whitehall  
B.A. (Otterbein College)  
*Field of Specialization: Education*
- Maryellen Kelco Brindel, Columbus  
B.S.Ed.  
*Field of Specialization: Education*
- Ivia Glodean Brooks,  
Brandywine, Md.  
B.S. (Bowie State College)  
*Field of Specialization: Education*
- Sylvia Brooks, Columbus  
B.A.  
*Field of Specialization: Journalism*
- Carole Ann Brown, Columbus  
B.S. in Educ. (Kent State  
University)  
*Field of Specialization: Education*
- Gail Gross Brown, South Euclid  
B.S.Ed. (Ohio University)  
*Field of Specialization: Education*
- Walter Leon Brown, Centerburg  
B.A. (Rio Grande College)  
*Field of Specialization: Education*
- Barbara Lynn Brundige, Dayton  
B.A. (Denison University)  
*Field of Specialization: Education*
- Carol Ann Buescher, Lyndhurst  
B.A. (Wittenberg University)  
*Field of Specialization: Journalism*
- Vincenzo Giovanni Buonocore,  
Brooklyn, N. Y.  
B.A. (Brooklyn College)  
*Field of Specialization: Romance  
Languages and Literatures*
- John Douglas Burk, Ashland  
B.S. in B.A. (Ashland College)  
*Field of Specialization: Education*
- Carolyn Jean Cain, Memphis, Tenn.  
A.B. (Stillman College)  
*Field of Specialization: Education*
- James M. Caley, Columbus  
B.S. in Ed. (California State College,  
Pennsylvania)  
*Field of Specialization: Education*
- Vernice Young Calloway, Columbus  
B.S. in Ed. (Central State  
University)  
*Field of Specialization: Education*
- Patrick J. Canini, Pickerington  
B.S.Ed. (University of Tennessee)  
*Field of Specialization: Education*
- William John Canter, Heath  
A.B. (Urbana College)  
*Field of Specialization: Education*
- Mary Rita Caplin, Marion  
B.S.Ed.  
*Field of Specialization: Education*
- Glenn Robert Carlton, Columbus  
B.A. (David Lipscomb College)  
*Field of Specialization: Education*
- Edward Gonzales Carroll, Jr.,  
Columbus  
B.A. (Ohio Wesleyan University)  
*Field of Specialization: Journalism*
- Betty L. Chaffin, Columbus  
B.S.Ed.  
*Field of Specialization: Education*
- Thomas J. Ciancetta, Columbus  
A.B. (West Liberty State College)  
*Field of Specialization: Education*
- Wally Cirafesi, Columbus  
B.S. (Pennsylvania State University)  
*Field of Specialization: Education*
- Karen Johnson Clark, Columbus  
B.S. (Northwestern University)  
*Field of Specialization: Education*
- Chigee Jan Cloninger, Lafayette, La.  
B.S. (University of Southwestern  
Louisiana)  
*Field of Specialization: Education*
- Robert J. Cochrun, Columbus  
B.S.Ed.  
*Field of Specialization: Education*
- James Alan Coe, Willard  
B.S.Ed.  
*Field of Specialization: Education*
- Linda Kay Coe, Boise, Idaho  
B.A. (Boise College)  
*Field of Specialization: Education*
- Michele Gail Cohen, Columbus  
B.S.Ed.  
*Field of Specialization: Education*
- Charles H. Cook, Lima  
B.A.  
*Field of Specialization: Education*
- Patricia Mogil Cook, Lancaster  
B.S. (Miami University)  
*Field of Specialization:  
Communication*
- Carole Adele Cornelius, Columbus  
B.P.E. (University of Manitoba,  
Canada)  
*Field of Specialization: Health  
Education (Physical Education)*

- Barbara Schussheim Cotter, Columbus  
B.A., B.S.Ed.  
*Field of Specialization*: Sociology
- Marsha Marsh Cowan, Newark  
B.S.Ed. (Ohio University)  
*Field of Specialization*: Education
- Audrey Waddington Cox, Columbus  
B.S.Ed.  
*Field of Specialization*: Education
- Robert Clayton Crain, Columbus  
B.S. (Arizona State University)  
*Field of Specialization*: Political Science
- LaVerne Arnell Crocker, Suffolk, Va.  
B.A. (Fisk University)  
*Field of Specialization*: Psychology
- Dennis Eugene Croft, Lancaster  
B.S. (Ball State University)  
*Field of Specialization*: Education
- Nazih Y. Daher, Aitanit Lekaa, Lebanon  
License (Lebanese University)  
*Field of Specialization*: Linguistics
- Michael Clyde Daily, Columbus  
B.S.Ed.  
*Field of Specialization*: Education
- Marjorie Arlene Daniels, London  
B.S.Ed.  
*Field of Specialization*: Education
- Patricia June Daubenmier, Worthington  
B.S. (Findlay College)  
*Field of Specialization*: Education
- Michael Ronald Dave, Columbus  
B.S.Ed.  
*Field of Specialization*: Education
- Emily Clarke Davidson, Columbus  
B.S.Ed.  
*Field of Specialization*: Education
- Donald Lee Davis, District Heights, Md.  
B.S.Bus.Adm.  
*Field of Specialization*: Business Administration
- Mary Kay Davis, Worthington  
B.S.Ed.  
*Field of Specialization*: Education
- Rose Marie Northrup Porter Davis, Gallipolis  
A.B. (Washington University)  
*Field of Specialization*: History of Art
- Sharon R. Davis, Tipp City  
B.S. (Ball State University)  
*Field of Specialization*: Education
- Bonnie J. Davison, Newark  
B.A. (Ohio Wesleyan University)  
*Field of Specialization*: Education
- Narah V. Dean, Jackson, Miss.  
B.S. (Lincoln University)  
*Field of Specialization*: Physical Education
- Billy Gene Denney, Amarillo, Tex.  
B.A. (New Mexico Highlands University)  
*Field of Specialization*: Art Education
- Izabel Helena Silva de Oliveira, Vitoria, Brazil  
Licenciatura, Diploma (Art)  
(Federal Universidad del Espirito Santo)  
*Field of Specialization*: Art Education
- Patricia A. DeVore, Columbus  
B.S.Ed.  
*Field of Specialization*: Education
- Diane Angela Dewhurst, Columbus  
B.A. (George Washington University)  
*Field of Specialization*: English
- Anthony James DiBiasio, Lakewood  
B.A. (Ohio Wesleyan University)  
*Field of Specialization*: Education
- Marilyn Dick, Zanesville  
B.S.Ed. (Ohio University)  
*Field of Specialization*: Education
- Karen Verba Diehl, Lyndhurst  
B.S.H.Ed. (Ohio University)  
*Field of Specialization*: Education
- Richard Ira Diennor, Brooklyn, N. Y.  
B.A. (Brooklyn College)  
*Field of Specialization*: Journalism
- Elizabeth M. Watson Doherty, West Jefferson  
B.S.Ed.  
*Field of Specialization*: Psychology
- Christine Adele Donahue, Fort Mitchell, Ky.  
A.B. (Thomas More College)  
*Field of Specialization*: Romance Languages and Literatures
- Amira Kimmel Dor, Afula, Israel  
*Field of Specialization*: Psychology
- Emma Marie Dorsey, Columbus  
B.S. (Morgan State College)  
*Field of Specialization*: Public Administration
- Elcanor Ruth Dorton, Columbus  
B.S.Soc.Wel.  
*Field of Specialization*: Black Studies
- Lillian Yvonne Douglas, Columbus  
B.S.Ed. (Central State University)  
*Field of Specialization*: Education
- Gary Alton Dudley, South Point  
B.A. (Marshall University)  
*Field of Specialization*: Physical Education
- Suellynn Kay Duffey, Dayton  
B.A.  
*Field of Specialization*: English
- Susan Edith Osborn Duffy, Bay City, Mich.  
B.S.Ed.  
*Field of Specialization*: Education
- Kathryn Anne Dugan, Columbus  
B.A. (Denison University)  
*Field of Specialization*: Education
- Debora R. Duncan, Pittsburgh, Pa.  
B.A. (University of Pittsburgh)  
*Field of Specialization*: Journalism
- Joanna Louise Mihok Duncan, Zanesville  
B.A. (Muskingum College)  
*Field of Specialization*: Education
- Sister Marianne Dwyer, St. Louis, Mo.  
B.A. (Fontbonne College)  
*Field of Specialization*: English
- Cynthia Lou Dybik, Westerville  
B.Mus.Ed. (Otterbein College)  
*Field of Specialization*: Music
- Vicki Powell Earick, Urbana  
B.S. (Urbana College)  
*Field of Specialization*: Education
- Christina Ebert, Columbus  
B.S.Ed. (Miami University)  
*Field of Specialization*: Education
- Donald M. Ehret, Columbus  
B.A. (Mount Union College)  
*Field of Specialization*: Theatre
- Thomas A. Eich, Columbus  
B.A. (Capital University)  
*Field of Specialization*: Education
- Caryl Klein Eisenman, Columbus  
B.S.Ed.  
*Field of Specialization*: Education
- Charlane R. Ellis, Columbus  
B.A., B.S.Ed.  
*Field of Specialization*: Education
- Cheryl A. Ellzey, Delaware  
B.S. in Ed. (University of Houston)  
*Field of Specialization*: Physical Education
- Patricia Ann Erlenbusch, Columbus  
B.S.Ed.  
*Field of Specialization*: Education

- Beverly Ann Ervine, Staunton, Va.  
B.M. (East Carolina University)  
*Field of Specialization:* Music
- Patricia Chopich Essex, Norwalk  
B.Mus.Ed. (Baldwin-Wallace College)  
*Field of Specialization:* Music
- James K. Essman, Orient  
B.S.Ed.  
*Field of Specialization:* Public Administration
- Jean Aurand Farmer, Worthington  
B.A.  
*Field of Specialization:* Psychology
- Charlotte Mills Farren, Columbus  
B.S.Ed.  
*Field of Specialization:* Education
- Lois Jeanne Fassbender, Columbus  
B.S. (Ohio Dominican College)  
*Field of Specialization:* Education
- Edward Patrick Fegan, Jr., Columbus  
B.S. (Eastern Michigan University)  
*Field of Specialization:* Education
- Gale Epstein Feldstein, Columbus  
B.A.  
*Field of Specialization:* Psychology
- Peggy Jean Ferguson, Columbus  
B.S.Ed.  
*Field of Specialization:* Education
- Patricia N. Filipski, Columbus  
B.S.Ed.  
*Field of Specialization:* Education
- Donald Lewis Fischer, Columbus  
B.S. (Southern University and Agricultural and Mechanical College)  
*Field of Specialization:* Psychology
- Susan B. Fleming, Columbus  
B.S.Ed. (Ohio University)  
*Field of Specialization:* Education
- Anthony Charles Folino Jr., Pittsburgh, Pa.  
B.S.Ed. (Villanova University)  
*Field of Specialization:* Education
- Elizabeth Caroline Ford, Norwalk  
B.A. (Purdue University)  
*Field of Specialization:* Education
- JoAnn Gentile Ford, Columbus  
B.S. (Salisbury State College)  
*Field of Specialization:* Education
- Maureen E. Forrestal, Mattituck, N. Y.  
B.A. (Marist College)  
*Field of Specialization:* Education
- Thomas Keasler Foutz, Portsmouth  
B.S.Ed.  
*Field of Specialization:* Education
- Anne Marie Carol-Theresa Francesco, Westboro, Mass.  
B.A. (New York University)  
*Field of Specialization:* Psychology
- Robert Loren Frankland, Columbus  
B.S.Ed.  
*Field of Specialization:* Education
- Gehrig Barnett Franklin, Cincinnati  
B.A.  
*Field of Specialization:* Black Studies
- Cheryl Crawford Frasch, Columbus  
B.A. (Capital University)  
*Field of Specialization:* Music
- Claudia J. Freeman, Columbus  
B.S.H.E.  
*Field of Specialization:* Education
- Catherine Frick, Grove City  
B.S.Ed.  
*Field of Specialization:* Education
- Rita Franco Fuller, Mt. Vernon  
B.A. (Columbia Union College)  
*Field of Specialization:* Education
- Susan Elizabeth Gardner, Morgantown, W. Va.  
B.A. (Morris College)  
*Field of Specialization:* Education
- Frank Garner, Goulds, Fla.  
B.A. (Morris College)  
*Field of Specialization:* Political Science
- Bruce Michael Gast, Prospect  
B.S.Ed.  
*Field of Specialization:* Education
- Bonita R. Gehling, Dunbar, Wis.  
B.S. (Wisconsin State University)  
*Field of Specialization:* Physical Education
- Roger Dale George, Marion  
B.S.Ed.  
*Field of Specialization:* Education
- JoAnne G. Georgiton, Columbus  
A.B. (Heidelberg College)  
*Field of Specialization:* Education
- Sandra L. Gerhardstein, Worthington  
A.B. (Thomas More College)  
*Field of Specialization:* Education
- Cheryl Jean Gerhold, Columbus  
B.S.Ed. (Ohio University)  
*Field of Specialization:* Physical Education
- Catherine C. Gilbreath, Columbus  
B.S.Ed.  
*Field of Specialization:* Education
- Helen Diana Gilmore, Gallipolis  
B.A. (Morgan State College)  
*Field of Specialization:* Education
- Bruce Howard Goldfaden, Houston, Tex.  
B.J. (University of Texas)  
*Field of Specialization:* Journalism
- Janice Goodwin, Boardman  
B.S.Ed.  
*Field of Specialization:* Physical Education
- Lee Minter Goss, Columbus  
B.S.Ed.  
*Field of Specialization:* Education
- Sheryll H. Goubeaux, Columbus  
B.S.Ed.  
*Field of Specialization:* Education
- Patrice Yessenow Greenbaum, Lima  
B.S.Ed.  
*Field of Specialization:* Education
- Theophilus Delonia Gregory, Savannah, Ga.  
B.S. (Savannah State College)  
*Field of Specialization:* Physical Education
- Kay Torrence Gurney, Mansfield  
B.S.Ed.  
*Field of Specialization:* Education
- Elizabeth Karasinska Haines, Columbus  
A.B. (Smith College)  
*Field of Specialization:* Psychology
- Cleo Ingram Hale, Columbus  
B.S. (Spelman College)  
*Field of Specialization:* Education
- Dru Ann Hancock, Trotwood  
B.A.  
*Field of Specialization:* Journalism
- Carol Stone Handler, Columbus  
B.S.Ed.  
*Field of Specialization:* Education
- Edward James Hannon, Plainfield, N. J.  
A.B. (Stanford University)  
*Field of Specialization:* Education
- Joseph Francis Hannon, Worthington  
B.A. (Don Bosco College)  
*Field of Specialization:* Education
- Deborah Ann Happ, Flint, Mich.  
B.A. (Michigan State University)  
*Field of Specialization:* Psychology
- Marianne Harding, Dorchester, Mass.  
B.A. (University of Massachusetts)  
*Field of Specialization:* English

- Joan Holder Harless, Columbus  
B.S.H.E.  
*Field of Specialization: Journalism*
- James Stewart Harmon, Urbana  
B.S. (Urbana College)  
*Field of Specialization: Education*
- Melinda S. Harrington, Columbus  
B.S.Ed. (Ohio Dominican College)  
*Field of Specialization: Education*
- Gary Robert Harris, Barberton  
B.A. (University of Akron)  
*Field of Specialization: German*
- Karen Elizabeth Harris, Columbus  
B.Art Ed.  
*Field of Specialization: Art Education*
- Gene Edwin Hart, Colorado Springs, Colo.  
B.S. in Edu. (University of Nebraska)  
*Field of Specialization: Journalism*
- Lucinda Screen Hart, Colorado Springs, Colo.  
B.A. (University of Washington)  
*Field of Specialization: Education*
- Janice C. Hartstein, Columbus  
B.F.A.  
*Field of Specialization: History of Art*
- Patricia McCarley Heaton, Hillsboro  
B.S.Ed.  
*Field of Specialization: Health Education (Physical Education)*
- John Paul Heck, Carey  
B.S.Ed.  
*Field of Specialization: Education*
- Mara Kazrics Hentzelt, Columbus  
B.A. (Nazareth College of Rochester)  
*Field of Specialization: Education*
- Yvonne Yerian Hiteshue, Columbus  
B.A. (Capital University)  
*Field of Specialization: Education*
- Lenora Helene Hobbs, Columbus  
B.A. (California State College, Los Angeles)  
*Field of Specialization: Education*
- Marjorie Carder Hoffman, Marion  
B.S.Ed. (Kent State University)  
*Field of Specialization: Education*
- Michael Richard Hoffman, Fremont  
A.B. (Ohio University)  
*Field of Specialization: Political Science*
- Lawrence J. Hollern, Columbus  
B.A.  
*Field of Specialization: Classics*
- Sandra Lawrence Holloway, Columbus  
B.S.Ed.  
*Field of Specialization: Education*
- Dennis Charles Hooker, Columbus  
B.A.  
*Field of Specialization: Public Administration*
- Edward Earl Hubbard, Columbus  
B.A.  
*Field of Specialization: Black Studies*
- Sarah Blair Hubbard, Columbus  
B.A. (Marietta College)  
*Field of Specialization: Education*
- Gerald P. Hudson, Mansfield  
B.S.Ed.  
*Field of Specialization: Music*
- Harry R. Hueston, Columbus  
B.S. in Ed. (Kent State University)  
*Field of Specialization: Public Administration*
- Ronald D. Huiatt, Kansas City, Mo.  
A.B. (University of Missouri)  
*Field of Specialization: Psychology*
- Joan Hunt, Worthington  
B.S.Ed.  
*Field of Specialization: Education*
- Gary Lynn Hunter, Columbus  
B.A.  
*Field of Specialization: Black Studies*
- Barry L. Hupp, Columbus  
B.S. in Ed. (Kent State University)  
*Field of Specialization: Education*
- Jane Susan Jackson, Dayton  
B.S.Ed.  
*Field of Specialization: Education*
- Robin Whiting Jackson, Columbus  
B.S.Ed.  
*Field of Specialization: Education*
- Randy Jay Jacobs, Waynesfield  
B.S.Ed.  
*Field of Specialization: Physical Education*
- William A. Jarrell, New Carlisle  
B.S.Ed.  
*Field of Specialization: Education*
- Marie Jenkins, Yonges Island, S. C.  
B.S. (Saint Augustine's College)  
*Field of Specialization: Education*
- Tina R. Jennings, Columbus  
B.S.Ed. (Central State University)  
*Field of Specialization: Public Administration*
- John Michael Jermier, Mauston, Wis.  
B.S. (University of Wisconsin)  
*Field of Specialization: Public Administration*
- Charlotte Jean Johnson, Atlanta, Ga.  
B.S.Ed. (University of Georgia)  
*Field of Specialization: Education*
- Karen Smith Johnson, Columbus  
B.S.H.E.  
*Field of Specialization: Education*
- Leslie Frances Johnson, Logan  
B.A. (Capital University)  
*Field of Specialization: Education*
- Mildred Evelyn Johnson, Columbus  
B.A. (Ohio Northern University)  
*Field of Specialization: Romance Languages and Literatures*
- Susan C. Johnson, Columbus  
B.S.Ed.  
*Field of Specialization: Education*
- William Howard Johnson, Hilliard  
B.S.Ed. (Ohio University)  
*Field of Specialization: Education*
- Paul Howard Johnston, Columbus  
B.S.Ed.  
*Field of Specialization: Education*
- Douglas W. Jones, Medina  
B.S. (Marietta College)  
*Field of Specialization: Education*
- Linda Eleanor Jones, Cambridge, Md.  
B.S. (Bowie College)  
*Field of Specialization: Education*
- Kenneth J. Kaiser, Rochelle Park, N. J.  
B.A. (Manhattan College)  
*Field of Specialization: History*
- Cynthia Jeanette Karas, Dayton  
B.S.Ed.  
*Field of Specialization: Education*
- Denise Davis Katz, Columbus  
B.S.Ed.  
*Field of Specialization: Education*
- Thomas Howard Kearns, Columbus  
B.A., B.S.Ed.  
*Field of Specialization: Education*
- Michael Barry Keck, Albany, N. Y.  
B.A. (Stena College)  
*Field of Specialization: Political Science*
- Robert M. Keener, Brookville  
B.S. (Wright State University)  
*Field of Specialization: Education*
- Patricia Ann Kehoe, Danvers, Mass.  
B.S.Ed. (State College of Bridgewater)  
*Field of Specialization: Physical Education*



- Charles D. Kellar, III, Columbus  
B.S.Ed.  
*Field of Specialization:* Education
- John William Kepple, Mt. Vernon  
B.S.Ed.  
*Field of Specialization:* Education
- Carol Musgrave Kiefer, Marion  
B.A. (Ohio Wesleyan University)  
*Field of Specialization:* Education
- Yew-Ky Kim, Seoul, Korea  
B.S., M.S. (Seoul National  
University); M.S.  
*Field of Specialization:* Economics
- James Hayes King, Jr., Lebanon  
B.S.Ed.  
*Field of Specialization:* Education
- Janet Lynn King, Columbus  
B.S.Ed.  
*Field of Specialization:* Education
- Rebecca Sharpton Kinnard, Columbus  
B.A. (Bluffton College)  
*Field of Specialization:* Education
- Richard Gary Kisker, Columbus  
B.A.  
*Field of Specialization:* Education
- Sister Dorothy J. Kluesener,  
Columbus  
B.A. (Ohio Dominican College)  
*Field of Specialization:* Education
- Renu Kochar, Chandigarh, India  
B.A., M.A. (Punjab University)  
*Field of Specialization:* History of  
Art
- Aileen Carson Koewler, Columbus  
B.S.Ed.  
*Field of Specialization:* Education
- Barry Edward Kopetz, Columbus  
B.Mus.Ed.  
*Field of Specialization:* Music
- Fred Clifford Kouski, Columbus  
B.S.Ed. (Ohio University)  
*Field of Specialization:* Art  
Education
- Elaine Avren Kravitz, Columbus  
B.S.Ed.  
*Field of Specialization:* Education
- Therese Rae Kubitschek, Peoria, Ill.  
A.B. (Salve Regina College)  
*Field of Specialization:* Journalism
- Laura Marconi Laderach, Columbus  
B.S.Ed. (Ohio University)  
*Field of Specialization:* Education
- Cheryl Eddy Laine,  
Winter Park, Fla.  
B.S. (Florida Southern College)  
*Field of Specialization:* Education
- Claude Lambert, Columbus  
B.S. (Franklin University)  
*Field of Specialization:*  
Communication
- Joan Kay Langholz, Columbus  
B.S. in Ed. (Indiana University)  
*Field of Specialization:* Education
- Ruth Fry Lape, Tiffin  
B.Mus.Ed. (Eastern Michigan  
University)  
*Field of Specialization:* Music
- Marian Eliza Larkin, Cambridge  
B.A. (Hiram College)  
*Field of Specialization:* Public  
Administration
- Teresa James LaRocco, Fostoria  
B.S.Ed.  
*Field of Specialization:* Education
- Jerri Williams Lawrence, Columbus  
B.S.Ed.  
*Field of Specialization:* Education
- Cynthia K. Lee,  
East Rutherford, N. J.  
B.A.  
*Field of Specialization:*  
Communication
- George Nathen Lee, Fredericktown  
B.S.Ed.  
*Field of Specialization:* Education
- Henrietta Madden Lendt, Columbus  
A.B. (Ohio Dominican College)  
*Field of Specialization:* Education
- Kathleen Regan Levine, Marion  
A.B. (University of Illinois)  
*Field of Specialization:* Education
- Charles D. Levitt, Alexandria, Va.  
B.A. (Ohio Wesleyan University)  
*Field of Specialization:* Education
- David K. Lewis, Columbus  
B.S.Ed.  
*Field of Specialization:* Education
- John Preston Lewis, Orange, Tex.  
B.A. (Ohio Wesleyan University)  
*Field of Specialization:* Journalism
- Joan Margaret Lindow, Columbus  
B.S.Ed.  
*Field of Specialization:* Health  
Education (Physical Education)
- Anne Campbell Lintala, Columbus  
B.S.Ed.  
*Field of Specialization:* Education
- Richard L. Lipsky, Flushing, N. Y.  
B.A. (City College)  
*Field of Specialization:*  
Communication
- Robert Craig Loney, Columbus  
B.S.Ed.  
*Field of Specialization:* Physical  
Education
- Linda L. Lopresto, Columbus  
B.S. in Edu. (Capital University)  
*Field of Specialization:* Education
- Dianne Gail Lubinski, Berea  
B.A. (Saint Olaf College)  
*Field of Specialization:* English
- Georgene Lucy, Commerce City, Colo.  
B.A. (University of Colorado)  
*Field of Specialization:* Education
- Vicki Elaine Lyden, Columbus  
B.S. in Ed. (Wright State  
University)  
*Field of Specialization:* Education
- Roberta Bradford Magill, Chillicothe  
B.S.Ed. (Ohio University)  
*Field of Specialization:* Education
- Franklin H. Marshall, Cincinnati  
B.A.  
*Field of Specialization:* Public  
Administration
- Jerry Lee Marshall, Bellville  
B.A. (Muskingum College)  
*Field of Specialization:* Education
- Sally Ann Martin, Adena  
B.S.Ed.  
*Field of Specialization:* Education
- Marilyn Callahan Massey, Columbus  
B.S.Ed.  
*Field of Specialization:* Education
- Sandra Orita Mays, Florence, S. C.  
B.S. (Hampton Institute)  
*Field of Specialization:* Education
- Robert Ellis Mazerov, Columbus  
B.A.Jour.  
*Field of Specialization:* Journalism
- E. Louise Yost McDonald, Columbus  
B.S.Ed.  
*Field of Specialization:* Education
- Ellen Jean McEwen, Pittsburgh, Pa.  
B.S.Ed. (Ashland College)  
*Field of Specialization:* Physical  
Education
- Leda Ann McIntyre, Lexington, Ky.  
B.A. (Colorado Women's College)  
*Field of Specialization:* Public  
Administration
- James Joseph McLaughlin, Columbus  
B.A.Ed. (University of Akron)  
*Field of Specialization:* Education

- Carolyn R. McLendon, Washington, Ga.  
B.A. (Spelman College)  
*Field of Specialization:* Education
- Jacqueline McNamara, Strongsville  
B.S.Ed.  
*Field of Specialization:* English
- Cynthia Rostella McQueen  
Belair, Md.  
B.A. (Hampton Institute)  
*Field of Specialization:* Education
- Charles Vernard Meacham, Columbus  
A.B. (Asbury College)  
*Field of Specialization:* Education
- Terry L. Meckstroth, Lima  
A.B. (Asbury College)  
*Field of Specialization:* Education
- Maria Elena Medina, Dayton  
B.A.  
*Field of Specialization:* Political Science
- Marie-Claire Menard,  
Tallahassee, Fla.  
B.A., M.A. (Université de Poitiers)  
*Field of Specialization:* Romance Languages and Literatures
- Emma June Goldsmith Mercer,  
Zanesville  
B.S.Ed. (Ohio University)  
*Field of Specialization:* Education
- Jeffrey George Merriam, Hebron  
B.S. (Fairleigh Dickinson University)  
*Field of Specialization:* Education
- Richard Lee Mettle, Columbus  
B.S.Ed. (Capital University)  
*Field of Specialization:* Education
- Jennifer Lynne Miller, Columbus  
B.S. (Ohio Northern University)  
*Field of Specialization:* Education
- Linda Louise Miller, Columbus  
B.A. (Ohio Dominican College)  
*Field of Specialization:* Education
- Delores Mitchell, Enfield, N. C.  
B.S. (North Carolina Agricultural and Technical State University)  
*Field of Specialization:* Journalism
- Sister Annette J. Moran, Chicago, Ill.  
B.A. (Fontbonne College)  
*Field of Specialization:* English
- Judith E. Tunis Morgan, Dresden  
B.S.Ed.  
*Field of Specialization:* Education
- Margaret Ann Morrison, Columbus  
B.A.  
*Field of Specialization:* Education
- Sharel M. Morrow, Columbus  
B.S. in Ed. (Bowling Green State University)  
*Field of Specialization:* Physical Education
- Helena Nobles Moss,  
Washington, D. C.  
B.A. (North Carolina College)  
*Field of Specialization:* Education
- Cathy T. Muzilla, Columbus  
B.S.Ed.  
*Field of Specialization:* Education
- Jerry Dane Myers, Columbus  
B.S. (Rio Grande College)  
*Field of Specialization:* Education
- Donald W. Nauss, III,  
Fort Lee, N. J.  
B.A. (Pennsylvania State University)  
*Field of Specialization:* Journalism
- Steven R. Neihsel,  
Hacienda Heights, Calif.  
B.A. (California State College, Dominguez Hills)  
*Field of Specialization:* Education
- Pauline C. Nemecek, Columbus  
B.S.Ed.  
*Field of Specialization:* Education
- David Jacot Nesbitt, Columbus  
B.A.  
*Field of Specialization:* Public Administration
- Edward Robert Niedzwiedz,  
Columbus  
B.A. (Northern Illinois University)  
*Field of Specialization:* Psychology
- Steven E. Norwitz, Baltimore, Md.  
B.S. (University of Maryland)  
*Field of Specialization:* Journalism
- Thomas D. Oliver, Jr., Columbus  
B.S.Ed.  
*Field of Specialization:* Education
- Donna Jean Weightman Olson,  
Columbus  
B.A. Ed.  
*Field of Specialization:* Art Education
- David Ralph Orcutt, Columbus  
B.S.Ed.  
*Field of Specialization:* Health Education (Physical Education)
- Dorothy Sue Painter, Zanesville  
B.S.Ed.  
*Field of Specialization:* Journalism
- Marianne Painter, Leetonia  
A.B. (Morehead State University)  
*Field of Specialization:* Physical Education
- Andrew Pankiw, Cleveland  
B.S.Ed. (Cleveland State University)  
*Field of Specialization:* Physical Education
- June Ann Parker, Columbus  
B.S.Ed. (Ohio University)  
*Field of Specialization:* Education
- Marianne Brugner Patton, Columbus  
B.S.Ed.  
*Field of Specialization:* Communication
- John A. Paulus, Westerville  
B.S.Ed.  
*Field of Specialization:* Education
- Ronald Eugene Paxton, Columbus  
B.S.Ed.  
*Field of Specialization:* Education
- Catherine Sue Pearce, Columbus  
B.S.Soc.Wel.  
*Field of Specialization:* Education
- Dean L. Pendleton, Columbus  
B.S.Ed.  
*Field of Specialization:* Education
- Jo Ellen Perbix, Cincinnati  
B.S. (Northwestern University)  
*Field of Specialization:* Communication
- Carlos Alberto Perez-Silva,  
Valencia, Venezuela  
Ingeniero Mecanico (Universidad Central de Venezuela)  
*Field of Specialization:* Interdisciplinary—Economics, Public Administration, Education
- Cynthia A. Peterson, Columbus  
B.S. in Ed. (Youngstown State University)  
*Field of Specialization:* Education
- Daniel J. Phelan, Shrewsbury, N. J.  
A.B. (Rutgers University)  
*Field of Specialization:* Education
- Sandra Lee Pollack, Columbus  
B.A.Jour.  
*Field of Specialization:* Journalism
- Joseph Daniel Pollet, Hem, France  
Diploma (College of Technology and Art, England)  
*Field of Specialization:* Business Administration
- John Scott Pollock, Columbus  
B.S.Ed.  
*Field of Specialization:* Education
- Kathleen Marie Polomik, Shadyside  
B.S.Ed. (Ohio University)  
*Field of Specialization:* Education

- Mary Jo Porterfield, Indianapolis, Ind.  
B.S. (West Virginia University)  
*Field of Specialization:* Communication
- Charlotte Henderson Powell, Columbus  
B.S. (Virginia Union University)  
*Field of Specialization:* Black Studies
- Colette Pratt, Columbus  
B.A.  
*Field of Specialization:* English
- Angela Louise Pratts, Oberlin  
A.B. (Oberlin College)  
*Field of Specialization:* Education
- James Ortner Prendergast, Columbus  
B.Art.Ed.  
*Field of Specialization:* Art Education
- Andre Philip Prenoveau, Westerville  
B.S.Ed. (University of Dayton)  
*Field of Specialization:* Education
- Janet Bashor Price, Columbus  
B.S.Ed.  
*Field of Specialization:* Education
- Penelope Kay Prill, Van Wert  
B.S.Ed.  
*Field of Specialization:* Education
- James Michael Puleo, Columbus  
B.S.Ed.  
*Field of Specialization:* Education
- Loretta Hofacre Raduege, Columbus  
B.A. (Capital University)  
*Field of Specialization:* Education
- Jeannine Dunmyer Ramey, Columbus  
B.S. (Bowling Green State University)  
*Field of Specialization:* Education
- Virginia Caroline Richards Randazzo, Columbus  
B.S. (Kent State University)  
*Filed of Specialization:* Education
- Beverly Serr Raudebaugh, Columbus  
B.A. (Capital University)  
*Field of Specialization:* Education
- Clarence Edward Reavling, Columbus  
B.S.Ed.  
*Field of Specialization:* Education
- Larry Reibstein, Harrisburg, Pa.  
B.A. (Pennsylvania State University)  
*Field of Specialization:* Journalism
- Rita Catherine Reilly, Columbus  
B.S.Ed.  
*Field of Specialization:* Education
- James W. Reinker, Columbus  
B.S. (Capital University)  
*Field of Specialization:* Education
- Rita A. Reis, Columbus  
B.S. (College of Saint Teresa)  
*Field of Specialization:* Education
- Robert G. Remley, San Jose, California  
A.B. (University of California, Berkeley)  
*Field of Specialization:* Dance
- Olga Reswow, Cadillac, Mich.  
B.A. (Wayne State University)  
*Field of Specialization:* Journalism
- Janet Eileen Rhoads, Shelby  
B.S.Ed. (Ohio University)  
*Field of Specialization:* Physical Education
- Donna Jean Rhodes, Uniontown, Pa.  
B.S. (Pennsylvania State University)  
*Field of Specialization:* Physical Education
- Joseph E. Ritchie, II, Michigan City, Ind.  
A.B. (Calvin College); M.A.  
*Field of Specialization:* Journalism
- Charles R. Rittenhouse, Columbus  
B.S.  
*Field of Specialization:* Public Administration
- Dennis Lee Roach, Columbus  
B.S.Ed. (California State College, Pennsylvania)  
*Field of Specialization:* Education
- Linda Waggoner Roach, Columbus  
B.S.Ed.  
*Field of Specialization:* Education
- Phyllis J. Rosen, Columbus  
B.S.Ed.  
*Field of Specialization:* Education
- Karen Rosenfeld, Columbus  
B.A. (Kent State University)  
*Field of Specialization:* Physical Education
- Robin Jean Rosenfeld, Columbus  
B.S.Ed.  
*Field of Specialization:* Theatre
- John Arthur Ross, Columbus  
B.S.Ed.  
*Field of Specialization:* Education
- Mark Gunder Ross, Birmingham, Mich.  
B.A. (Michigan State University)  
*Field of Specialization:* Communication
- Neil H. Rothschild, Shaker Heights  
B.S.Ed.  
*Field of Specialization:* Education
- H. Frederick Ruoff, Columbus  
B.S. (Pikeville College)  
*Field of Specialization:* Education
- Mary Ptacin Ryan, Chicago, Ill.  
B.A. (Loyola University)  
*Field of Specialization:* Education
- Lynn Lunz Salem, Columbus  
B.S.Ed.  
*Field of Specialization:* Education
- Marie Rose Sarno, New Carrollton, Md.  
B.A. (Catholic University of America)  
*Field of Specialization:* Education
- Sister Wanda Scherer, Columbus  
B.S. (College of Saint Teresa)  
*Field of Specialization:* Education
- Jonathan Edward Schiff, New Haven, Conn.  
B.A. (Southern Connecticut State College)  
*Field of Specialization:* Journalism
- Norwood M. Schimmel, Columbus  
B.B.A. (Ohio University)  
*Field of Specialization:* Education
- Esther Jean Schlosser, Mt. Vernon  
B.A. (Eastern Nazarene College)  
*Field of Specialization:* English
- Joanne Elizabeth Schmidt, Cleveland  
B.A.  
*Field of Specialization:* Communication
- William Brodis Schooler, Dayton  
B.S.Ed. (Central State University)  
*Field of Specialization:* Education
- Marlene Schug, Burglahr, West Germany  
Philosophie (University of Bonn)  
*Field of Specialization:* Education
- Ronald M. Schwerin, Worthington  
B.A. (Capital University)  
*Field of Specialization:* Education
- Drusie M. Scott, Westerville  
B.S.Ed. (Otterbein College)  
*Field of Specialization:* Education
- Malcolm John Scott, Minot, N. D.  
B.S. (Southwestern State College)  
*Field of Specialization:* Education
- John Clinton Scranage, Newark  
B.S.Ed.  
*Field of Specialization:* Education

Pat Semmelman, Dayton  
B.S.Ed. (Miami University)  
*Field of Specialization*: Education

Diane Cook Semon, Columbus  
B.A.  
*Field of Specialization*:  
Communication

Elizabeth Christine Fox Shaw,  
Columbus  
B.S.Ed., B.S.Soc.Adm.  
*Field of Specialization*: Education

Paul Richard Shell, Lancaster  
B.S.Ed. (Ohio University)  
*Field of Specialization*: Romance  
Languages and Literatures

Joan Carol Sherfel, Youngstown  
B.A.  
*Field of Specialization*: Education

Vicki McCoy Sherouse,  
Gouldsboro, Pa.  
B.A. (Florida State University)  
*Field of Specialization*: Education

Carolyn Shreffler, Columbus  
B.S.Ed. (Kent State University)  
*Field of Specialization*: Education

Gina Elizabeth Silvji, Kent  
B.S. (Kent State University)  
*Field of Specialization*: Physical  
Education

Barbara Eloise Singh, Columbus  
B.S. (University of Wisconsin)  
*Field of Specialization*: Education

Jeanette Ellen Slade, Columbus  
B.S. (Western Michigan University)  
*Field of Specialization*: Art  
Education

Janice Evon Smith, Warsaw, N. C.  
B.S. (North Carolina Agricultural  
and Technical State University)  
*Field of Specialization*: Journalism

Victoria Anderson Smith,  
Reynoldsburg  
B.S. (Marietta College)  
*Field of Specialization*: Education

Camille Smith-Iguchi, Columbus  
B.S.Ed.  
*Field of Specialization*: Art  
Education

Gale Danzansky Snyder, Columbus  
B.S.Ed.  
*Field of Specialization*: Education

Thomas Jon Sovik, Youngstown  
B.A. (Ashland College)  
*Field of Specialization*: Music

Debra Kay Sowald, Columbus  
B.S. (Case Western Reserve  
University)  
*Field of Specialization*: Education

Sandra Hampton Spayde, Mansfield  
B.S.Ed.  
*Field of Specialization*: Education

Linda Feasel Spurgeon, Howard  
B.S.Ed.  
*Field of Specialization*: Education

Kathy Lynn Stafford, Columbus  
B.A. (Kent State University)  
*Field of Specialization*: Public  
Administration

Tommy Joseph Stahl, Columbus  
B.F.A.  
*Field of Specialization*: Education

Catharina Maria Vander  
Schrier Stallard, Gahanna  
B.S.Ed. (Kent State University)  
*Field of Specialization*: Education

Brenda Todd Steinhoff, Grove City  
B.S.Ed.  
*Field of Specialization*: Education

Christopher Carl Steve, Columbus  
B.S.Ed.  
*Field of Specialization*: Physical  
Education

Barbara Holt Stewart, Chicago, Ill.  
A.B. (University of Illinois); M.A.  
(Northeastern Illinois University)  
*Field of Specialization*: History

Mary Elizabeth Stillwell, Elyria  
B.A.  
*Field of Specialization*: Journalism

Connie McMullin Stiltner, Columbus  
B.A. (Fairmont College)  
*Field of Specialization*: Education

Albert P. Stohrer, Columbus  
B.S.Ed. (Otterbein College)  
*Field of Specialization*: Health  
Education (Physical Education)

Stephen Riley Stulck,  
Santa Barbara, Calif.  
B.A. (University of California)  
*Field of Specialization*: Education

Ingrid Ellen Svensson,  
Monroe, Conn.  
A.B. (Colby College)  
*Field of Specialization*: German

Olga Nadia Szuja, Lorain  
B.S.Ed.  
*Field of Specialization*: Education

Victoria Wood Tashjian, Columbus  
B.S.Ed.  
*Field of Specialization*: Education

David Wilson Taylor, Olympia, Wash.  
B.A. (Duke University); A.M.L.S.  
(University of Michigan)  
*Field of Specialization*: Public  
Administration

Julianne Tanski Telecan, Eastlake  
B.S.Ed.  
*Field of Specialization*: Education

Gail Ann Theus, Euclid  
B.S.Ed. (Bowling Green State  
University)  
*Field of Specialization*:  
Communication

Vicki Ann Thomas, Columbus  
B.S. (Bowling Green State  
University)  
*Field of Specialization*: Education

Walter P. Thomas, Columbus  
B.S.Ed.  
*Field of Specialization*: Education

Dale C. Thompson, Westerville  
B.S. (Bowling Green State  
University)  
*Field of Specialization*: Education

Ellen Thompson, Orient  
B.S.Ed.  
*Field of Specialization*: Education

John Eric Thompson, Uti:  
A.B.  
*Field of Specialization*: Political  
Science

Charles Russell Tiber, Marietta  
B.S. (Marietta College)  
*Field of Specialization*: Education

John Andrew Tilley, Columbus  
B.A. (Capital University)  
*Field of Specialization*: History

Darrel Ann Timmons, Columbus  
B.S.Ed.  
*Field of Specialization*: Education

Margaret Armstrong Tolson,  
Chicago, Ill.  
B.Ed. (Chicago Teachers College)  
*Field of Specialization*: Education

Lois Toms, Marion  
B.S.Ed. (Bowling Green State  
University)  
*Field of Specialization*: Education

Lynn Ellen Travis, Columbus  
B.S. (Muskingum College)  
*Field of Specialization*: Education

Vivian Elaine Trice, Durham, N. C.  
B.A. (North Carolina College)  
*Field of Specialization*: Education

Michel Philip Tschirret,  
Plantation, Fla.  
B.S. (Florida State University)  
*Field of Specialization*: Education

Janet McCormick Uldricks, Columbus  
B.S.Ed.  
*Field of Specialization*: Health  
Education (Physical Education)

Catherine Vaughn, Phenix City, Ala.  
B.A. (Stillman College)  
*Field of Specialization*: Education

Esteban Vega, Yellow Springs  
B.A. (Inter American University of  
Puerto Rico); M.A.T. (Wesleyan  
University)  
*Field of Specialization*: Theatre

Ann Elizabeth Ventling, Columbus  
B.S.Ed.  
*Field of Specialization*: Education

Robert Carl Vernon, West Lafayette  
B.S.Ed.  
*Field of Specialization*: Education

Zana Cowdery Vincent, Grove City  
B.S.Ed.  
*Field of Specialization*: Education

Victoria Lea Vuith, Columbus  
D.V.M., M.S.  
*Field of Specialization*: Psychology

Susan Kay Vossler, Cleveland  
B.A. (Wittenberg University)  
*Field of Specialization*: Education

John E. Wagner, Columbus  
B.A. (Saint Norbert College)  
*Field of Specialization*: Education

Patricia A. Walker, Mobile, Ala.  
B.A. (University of South Alabama)  
*Field of Specialization*: Psychology

Edward Richard Walton,  
New York, N. Y.  
B.A. (City College)  
*Field of Specialization*: Journalism

Ruth Weinman Ware,  
Canal Winchester  
B.S.Ed. (Capital University)  
*Field of Specialization*: Education

Stanley A. Warren, Tahlequah, Okla.  
B.A. (Northeastern State College)  
*Field of Specialization*: Education

Robert Lewis Wead, Columbus  
B.S.Ed. (Ohio University)  
*Field of Specialization*: Education

Karen F. Weaver, Westerville  
B.S. in Nurs.  
*Field of Specialization*: Health  
Education (Physical Education)

Madelyn Michelle Weber, Mansfield  
B.A.  
*Field of Specialization*: Public  
Administration

Priscilla (Kris) Wells, Ashland  
B.A. (Ashland College)  
*Field of Specialization*: Journalism

Howard Emmett Welt, Jr., Columbus  
B.A., B.S.Ed.  
*Field of Specialization*: Education

Dyann Miles Wesp, Columbus  
B.S. (Indiana University)  
*Field of Specialization*: Education

Kathryn Mulherin Westbrook,  
Columbus  
B.S.Ed.  
*Field of Specialization*: Education

William Jeffrey Wheatley, Columbus  
B.S.Ed. (Ohio University)  
*Field of Specialization*: Education

Sandra Lois Davis Whitehead,  
Columbus  
B.S.Ed. (Central State College)  
*Field of Specialization*: Education

Theresa Beirne Wick, Columbus  
B.S.Ed.  
*Field of Specialization*: Education

Ruth Harris Wiley, Mt. Vernon  
B.S.Ed. (Ashland College)  
*Field of Specialization*: Education

Beverly Jean Williams, Columbus  
B.A.  
*Field of Specialization*: Education

Louise Kefauver Williams, Columbus  
B.S.Ed.  
*Field of Specialization*: Education

Mary Weiler Williams, Delaware  
B.Art Ed.  
*Field of Specialization*: Education

Sharon Branch Williams,  
Norfolk, Va.  
B.S. (Norfolk State College)  
*Field of Specialization*: Health  
Education (Physical Education)

Barbara Lynn Wilson, Mentor  
B.Music (Muskingum College)  
*Field of Specialization*: Music

Diane I. Wilson, Laurelton, N. Y.  
B.A. (Hunter College)  
*Field of Specialization*: Black Studies

Ellen Jane Wilson, Columbus  
A.B. (Milligan College)  
*Field of Specialization*: Education

Janet Follett Wirick, Lexington  
B.S.Ed.  
*Field of Specialization*: Education

Bradford Bruce Woelfel, Columbus  
A.B. (Oberlin College)  
*Field of Specialization*: Physical  
Education

John Alexander Wood, Crozet, Va.  
B.A. (Virginia Union University)  
*Field of Specialization*: Public  
Administration

Carol Ann Woodbury, Springfield  
B.A. (Wittenberg University)  
*Field of Specialization*: Education

Carol Jaffray Woodriff, Columbus  
B.S.Ed.  
*Field of Specialization*: Political  
Science

Cynthia May Wornom,  
Newport News, Va.  
B.A. (University of Richmond)  
*Field of Specialization*: Journalism

Barbara Glick Wright, Columbus  
B.Ed. (University of Toledo)  
*Field of Specialization*: Education

I-Hsin Lydia Wu, Taipei, Taiwan  
B.S. (National Taiwan University)  
*Field of Specialization*: Sociology

David Morton Yanes, Skokie, Ill.  
B.A.  
*Field of Specialization*: Journalism

Deborah Gilbert Yunker, Columbus  
B.A.  
*Field of Specialization*:  
Communication

Kathy Patz Zamostny, Maple Heights  
B.A. (Kent State University)  
*Field of Specialization*: Psychology

Sharon H. Zanoziak, Seymour, Conn.  
B.A. (University of Massachusetts)  
*Field of Specialization*: English

#### **Master of Business Administration**

Thirty-three candidates

Charles Timothy Bidek, Gibsonsia, Pa.  
B.S.Bus.Adm.  
*Field of Specialization*: Business  
Administration

Robert Henry Doeringer,  
South Euclid  
B.S., M.S.  
*Field of Specialization: Business Administration*

Patricia Shaffer English,  
Upper St. Clair, Pa.  
B.S.Bus.Ad.  
*Field of Specialization: Business Administration*

Frank F. Flint, Rocky River  
B.B.A. (Eastern Kentucky University)  
*Field of Specialization: Business Administration*

Carolyn Jeffers Gill, Columbus  
B.A.  
*Field of Specialization: Business Administration*

Richard Emanuel Goerlitz, Dayton  
B.A.  
*Field of Specialization: Business Administration*

Edith Rantoul Greenwood,  
Shelburne, Ont., Canada  
B.A. (York University)  
*Field of Specialization: Business Administration*

Bart Christopher Gutekunst,  
Rochester, N. Y.  
B.A. (College of the Holy Cross)  
*Field of Specialization: Business Administration*

Ronald J. Hawthorne, Bay Village  
B.A.  
*Field of Specialization: Business Administration*

James Leonard Hemmelgarn,  
Burkettsville  
B.S.Bus.Ad.  
*Field of Specialization: Business Administration*

Deborah A. Hentzen, Columbus  
B.S. (Purdue University)  
*Field of Specialization: Business Administration*

Anthony Hering, Columbus  
B.Eng. (McGill University, Canada)  
*Field of Specialization: Business Administration*

Christopher J. Howell, Columbus  
B.A.  
*Field of Specialization: Business Administration*

Robert Larry Hukkanen, Cincinnati  
B.S. (Michigan Technological University)  
*Field of Specialization: Business Administration*

Mohammed Idris, Hyderabad, India  
B.E. (Osmania University); M.S.  
*Field of Specialization: Business Administration*

Joseph A. Jacomet, Columbus  
B.S. (Miami University)  
*Field of Specialization: Business Administration*

Pamela L. Johnson, Sewickley, Pa.  
B.A. (Slippery Rock State College)  
*Field of Specialization: Business Administration*

Robert Conley Kahrl, Mt. Vernon  
A.B. (Princeton University); J.D.  
*Field of Specialization: Business Administration*

Edward Paul Kendall, Jr., Columbus  
B.Bus.Ad. (Kent State University)  
*Field of Specialization: Business Administration*

Dorothy S. Koehl, Columbus  
B.S. (Purdue University)  
*Field of Specialization: Business Administration*

David Mark Lachman, Columbus  
B.E.E.  
*Field of Specialization: Business Administration*

William S. Mitchell, Columbus  
B.S.Bus.Ad.  
*Field of Specialization: Business Administration*

Winston Nash, Columbus  
B.B.A. (Eastern Kentucky University)  
*Field of Specialization: Business Administration*

Dmytro J. Nesterenko, Columbus  
B.S. (Northeastern University)  
*Field of Specialization: Business Administration*

Narayan Parimi, Hyderabad, India  
B.Tech. (University of Madras)  
*Field of Specialization: Business Administration*

S. K. Rajanbabu, Madras, India  
B.Tech. (University of Madras)  
*Field of Specialization: Business Administration*

Paul A. Reid, Clovis, N. M.  
B.S.Bus.Ad. (New Mexico State University)  
*Field of Specialization: Business Administration*

Glenn E. Ryan, Westerville  
B.S.E.E.  
*Field of Specialization: Business Administration*

W. Mark Schmitz, Ashland  
B.A.  
*Field of Specialization: Business Administration*

Mark S. Smith, Lima  
B.S.  
*Field of Specialization: Business Administration*

Lei-Jun Lydia Tang, Taipei, Taiwan  
B.A. in Com. (National Taiwan University)  
*Field of Specialization: Business Administration*

David J. Wilhelm, Columbus  
B.S.E.E., M.S.E.E. (Purdue University)  
*Field of Specialization: Business Administration*

Donald Eugene Wood, Columbus  
B.S.Bus.Ad.  
*Field of Specialization: Business Administration*

#### Master of City and Regional Planning

Thirteen candidates

Donald Martin Berges, Columbus  
B.A. (George Washington University)  
*Field of Specialization: City and Regional Planning*

N. Daniel Burdekin, Columbus  
B.S.Soc.Wel.  
*Field of Specialization: City and Regional Planning*

Russell Wellington Carroll, Columbus  
B.Envirn.Dsgn. (University of Minnesota)  
*Field of Specialization: City and Regional Planning*

Peter K. James, Columbus  
B.A. (Morehouse College)  
*Field of Specialization: City and Regional Planning*

J. Garrett Keenan, Annapolis, Md.  
B.A. (Brown University)  
*Field of Specialization: City and Regional Planning*

Richard Miles Kight, Jr., Columbus  
B.A. (Allegheny College)  
*Field of Specialization: City and Regional Planning*

George F. Phelan, Columbus  
B.A. (University of Massachusetts)  
*Field of Specialization: City and Regional Planning*

Bette B. Shallcross, Columbus  
A.B. (Heidelberg College)  
*Field of Specialization: City and Regional Planning*

Laura S. Stanhope, Columbus  
B.A.  
*Field of Specialization: City and Regional Planning*

E. Hale Whipkey, Jr., Westerville  
B.A. (Wittenberg University)  
*Field of Specialization: City and Regional Planning*

Janet Baker Whitlatch, Columbus  
B.A.  
*Field of Specialization: City and Regional Planning*

Timothy R. Will, Dayton  
B.A.  
*Field of Specialization: City and Regional Planning*

Elizabeth Clark Williams, Columbus  
B.A.Jour.  
*Field of Specialization: City and Regional Planning*

#### Master of Fine Arts

Twelve candidates

G. Timothy Cunard, Newark  
B.F.A. (Ohio University)  
*Field of Specialization: Art*

Edith Loechler Dean, Columbus  
B.F.A.  
*Field of Specialization: Art*

Robert R. Garcia, Toledo  
B.Edu. (University of Toledo)  
*Field of Specialization: Art*

Henrietta Lynne Haagensen, Enon Valley, Pa.  
B.A. (Hollins College); M.A. (University of North Carolina)  
*Field of Specialization: Art*

Barbara Ann Levy, Columbus  
B.F.A.  
*Field of Specialization: Art*

Elizabeth J. McCormick, La Crosse, Wis.  
B.A. (Clarke College)  
*Field of Specialization: Theatre*

Mary E. McPherson, Twinsburg  
B.F.A. (Cleveland Institute of Art)  
*Field of Specialization: Art*

Gregory Michael Pfarr, Loveland  
B.F.A.  
*Field of Specialization: Art*

Renée Randell Rodrigue Ryan, Columbus  
B.F.A.  
*Field of Specialization: Art*

Deborah Frances Schindler, Los Angeles, Calif.  
B.A. (University of California, Los Angeles)  
*Field of Specialization: Art*

Franz Frederick Spohn, Columbus  
B.F.A.  
*Field of Specialization: Art*

Kathryn Jo Yarrington Spohn, Columbus  
B.Art Ed., B.F.A.  
*Field of Specialization: Art*

#### Master of Music

Three candidates

Kim Sturgeon Boyd, Westerville  
B.S. (Indiana University); M.A.  
*Field of Specialization: Music*

Donald E. Forsythe, Ada  
B.M. (Oberlin College); M.Ed. (Kent State University)  
*Field of Specialization: Music*

Gary Paul Parr, Cuyahoga Falls  
B.A. (University of Kentucky)  
*Field of Specialization: Music*

#### Master of Public Administration

One candidate

Frances Latousakis, Weirton, W. Va.  
B.A. (Concord College)  
*Field of Specialization: Public Administration*

#### Master of Science

Two hundred and thirteen candidates

Marie J. Abram, Columbus  
B.S.Ed.  
*Field of Specialization: Home Economics*

Joseph Howard Adams, Columbus  
B.S.  
*Field of Specialization: Zoology*

Richard W. Addison, St. Paris  
B.S.Agr.  
*Field of Specialization: Agricultural Education*

Jean Acks Amos, Columbus  
B.S.  
*Field of Specialization: Genetics*

Edna Pearlie Atkins, Memphis, Tenn.  
B.S. (Hampton Institute)  
*Field of Specialization: Home Economics*

JoAnn Audia, Morgantown, W. Va.  
B.S.Nsg. (West Virginia University)  
*Field of Specialization: Nursing*

Suzanne K. Baisel, Lansing, Mich.  
B.S.Nurs. (University of Michigan)  
*Field of Specialization: Nursing*

Elliot D. Baker, Columbus  
B.A. (University of Pennsylvania)  
*Field of Specialization: Biophysics*

Edward J. Bank, Garden City, N. Y.  
B.A. (Adelphi University)  
*Field of Specialization: Mathematics*

Michael J. Baranovic, Garfield Heights  
B.A. (Wittenberg University)  
*Field of Specialization: Geology and Mineralogy*

Stephen Kay Barnhart, Milford Center  
B.S.Agr.  
*Field of Specialization: Agronomy*

Maryann M. Battaglia, Philadelphia, Pa.  
B.A.  
*Field of Specialization: Home Economics*

Panoma M. Bazilius, North Olmsted  
B.S.Nurs. (Loyola University)  
*Field of Specialization: Nursing*

Karen Elaine Bensman, Sidney  
B.A. (Bowling Green State University)  
*Field of Specialization: Home Economics*

Jerry Carl Albert Berger, Crestline  
B.S.  
*Field of Specialization: Animal Science*

Paul Arthur Berringer, Fort Thomas, Ky.  
B.S. (Arkansas Polytechnic College)  
*Field of Specialization: Natural Resources*

Richard Charles Bertz, Napoleon  
B.S.Agr.  
*Field of Specialization: Agricultural Education*

- Deloris Wharton Bills, Marysville  
B.S.Nurs.  
*Field of Specialization: Nursing*
- Annie Bohandy, Fairborn  
B.S. (University of Pennsylvania)  
*Field of Specialization: Nursing*
- Mark Bolotin, Sharon, Pa.  
B.S. (Massachusetts Institute of Technology)  
*Field of Specialization: Mathematics*
- Julianne Mary Boston, Dayton  
B.S.Ed.  
*Field of Specialization: Allied Medical Professions*
- James Robert Brink, New Concord  
B.S. (Muskingum College)  
*Field of Specialization: Mathematics*
- Elaine Rezac Brisker, Macedonia  
D.V.M.  
*Field of Specialization: Veterinary Anatomy*
- Ronald Lee Brooks, Continental  
B.S.Agr.  
*Field of Specialization: Agricultural Economics and Rural Sociology*
- Gloria Aileen Brown, Kingston, Jamaica  
B.A. (Andrews University)  
*Field of Specialization: Chemistry*
- James Louis Burati, Jr., Charleston, W. Va.  
B.S. (Virginia Polytechnic Institute)  
*Field of Specialization: Civil Engineering*
- Jean Ellen Busby, Columbus  
B.S.Nurs. (Capital University)  
*Field of Specialization: Nursing*
- Thomas O. Buti, Bellaire  
B.S., M.S.  
*Field of Specialization: Computer and Information Science*
- Wanda Lizette Cain, Washington, D. C.  
B.S. (Howard University)  
*Field of Specialization: Zoology*
- Wayne E. Carlson, Portland, Ore.  
B.S., M.S. (Idaho State University)  
*Field of Specialization: Computer and Information Science*
- Robert E. Caughron, II, Akron  
B.S.Agr.  
*Field of Specialization: Animal Science*
- George Kok-Hei Chan, Kowloon, Hong Kong  
B.E.E. (University of Dayton)  
*Field of Specialization: Electrical Engineering*
- Cynthia Dee Chandler, Cincinnati  
B.A. (Miami University)  
*Field of Specialization: Horticulture*
- Constance Rike Charlton, Nashville, Tenn.  
B.S.N. (Vanderbilt University)  
*Field of Specialization: Nursing*
- Stephen Shin-Keung Chiu, Omaha, Neb.  
B.S.E.E. (University of Nebraska)  
*Field of Specialization: Electrical Engineering*
- Nancy Jane Claman, Columbus  
B.S.Occ.Ther.  
*Field of Specialization: Allied Medical Professions*
- Jean A. Colgan, Columbus  
B.S.Nurs. (Duke University)  
*Field of Specialization: Nursing*
- Charles Wayne Cook, San Diego, Calif.  
B.S.Pharm. (University of Georgia)  
*Field of Specialization: Pharmacy*
- Gary W. Cook, Sidney  
B.S.Agr.  
*Field of Specialization: Agricultural Education*
- Debbie Loewer Coolman, Phoneton  
B.S.Nurs.  
*Field of Specialization: Nursing*
- Carol Ann Coppola, Yonkers, N. Y.  
B.S. (City College)  
*Field of Specialization: Microbiology*
- Carol Kriske Crane, Durham, N. C.  
B.S.Nurs. (Duke University)  
*Field of Specialization: Nursing*
- Gary Scott Cullen, Lorain  
B.S.Ch.E.  
*Field of Specialization: Chemical Engineering*
- Paul Sheldon Dangler, Bryan  
B.S.M.E. (University of Toledo)  
*Field of Specialization: Mechanical Engineering*
- Thomas Emmett Darrah, Lima  
B.A. (Ohio Northern University)  
*Field of Specialization: Physiology*
- Pranab Kumar De, Calcutta, India  
B.E. (University of Burdwan)  
*Field of Specialization: Metallurgical Engineering*
- Timothy Lee Deeter, Greenville  
B.S.E.E.  
*Field of Specialization: Electrical Engineering*
- Joseph Jean Charles Degioanni, Chicago, Ill.  
B.S. (McGill University, Canada);  
M.D. (Northwestern University);  
Ph.D. (University of Illinois)  
*Field of Specialization: Preventive Medicine*
- J. Guy Delorme, Greenwood, B. C., Canada  
B.Sc.E.E. (University of New Brunswick)  
*Field of Specialization: Welding Engineering*
- Catherine Ann Demko, Sagamore Hills  
B.S.  
*Field of Specialization: Genetics*
- Stuart H. Diamond, Toledo  
B.G.S. (Ohio University)  
*Field of Specialization: Computer and Information Science*
- Barbara Jane Dinkel, Rocky River  
B.A. (Wittenberg University)  
*Field of Specialization: Genetics*
- James Alexander Dirko, Everett, Mass.  
B.S. (Lowell Technological Institute)  
*Field of Specialization: Electrical Engineering*
- Hyunok Kim Do, Seoul, Korea  
B.S. (Yonsei University)  
*Field of Specialization: Nursing*
- Louis Richard Dossie, Bellaire  
B.S.Ch.E.  
*Field of Specialization: Chemical Engineering*
- Ellen Siepmann Dow, Columbus  
B.A. (Muskingum College)  
*Field of Specialization: Natural Resources*
- Zane Frederick Dubour, Hollywood, Fla.  
B.S., O.D.  
*Field of Specialization: Physiological Optics*
- Linda Faye Erlich, Columbus  
B.S.Nurs.  
*Field of Specialization: Nursing*
- Thomas E. Evans, Tacoma, Wash.  
B.S. (Washburn University)  
*Field of Specialization: Allied Medical Professions*



Nancy Whittlesey Flachskam,  
North Olmsted  
B.A. (Kalamazoo College); M.S.  
*Field of Specialization:* Home  
Economics

Marie Foreman Flickinger,  
Springfield  
B.S. (Syracuse University)  
*Field of Specialization:* Nursing

Mary Elizabeth Foltz, Villa Hills, Ky.  
A.B. (Thomas More College)  
*Field of Specialization:* Biophysics

Ronald W. Force, Columbus  
B.S. (Iowa State University); M.A.  
(University of Minnesota)  
*Field of Specialization:* Natural  
Resources

Teketel Forssido,  
Sire Dawa, Ethiopia  
B.S. (Haile Sellassie University)  
*Field of Specialization:* Poultry  
Science

Carmine J. Forzono, Enon  
B.S. (Tri-State College)  
*Field of Specialization:* Mechanical  
Engineering

Carol Anne Dickson Frazier,  
Clayton, Mo.  
B.A. (University of North Carolina);  
B.S. (Fontbonne College)  
*Field of Specialization:* Home  
Economics

Stanley N. Fronzaglia, Erie, Pa.  
B.A. (Gannon College)  
*Field of Specialization:* Computer  
and Information Science

Harriet Citron Ganson, Columbus  
B.S.Ed. (Miami University)  
*Field of Specialization:* Home  
Economics

Thomas Kent Gearhart, Marion, Ind.  
B.S.Ed. (Ball State University)  
*Field of Specialization:* Mathematics

Francis Joseph Gebauer, Toledo  
B.S.B.A. (University of Notre Dame)  
*Field of Specialization:* Allied  
Medical Professions

\*Mary Ellen Geib, Euclid  
*Field of Specialization:* Dairy Science

Urban Edward Genga, Derby, Conn.  
B.A. (Sacred Heart University)  
*Field of Specialization:* Microbiology

Joan Marie Goetz, Norton  
B.S. (University of Akron)  
*Field of Specialization:* Physiological  
Chemistry

Antonio Natal Goncalves,  
Paulopolis, Brazil  
Engenheiro-Agronomo (Universidade  
de Sao Paulo)  
*Field of Specialization:* Microbiology

Daryl Dean Goodwin, Columbus  
B.S.Agr.  
*Field of Specialization:* Agricultural  
Education

Thomas Walter Gray, Dryden, N. Y.  
B.S. (Cornell University)  
*Field of Specialization:* Agricultural  
Economics and Rural Sociology

Theodore James Green, Troy, N. Y.  
B.S. (Cornell University)  
*Field of Specialization:* Microbiology

Janet Lee Hanger, Vincent  
B.S.Nurs.  
*Field of Specialization:* Nursing

Carolyn J. Harris, Roxbury, Mass.  
B.S.Nurs. (University of  
Massachusetts)  
*Field of Specialization:* Nursing

Suzanne M. Hartley, Huron  
B.A. (Ohio Wesleyan University)  
*Field of Specialization:* Environmental  
Biology

Carolyn Swanson Hasbrouck,  
Columbus  
B.S.C.I.S.  
*Field of Specialization:* Computer  
and Information Science

Edward Darrel Hilt, Gibsonburg  
B.S.Agr.  
*Field of Specialization:* Animal  
Science

Ronald Jay Hirons, Mt. Orab  
B.A. (Miami University)  
*Field of Specialization:* Mechanical  
Engineering

Katherine Ann Holter, Newark, Del.  
B.S. (University of Delaware)  
*Field of Specialization:* Chemistry

David Edward Houts, Celina  
B.S.Agr.  
*Field of Specialization:* Agricultural  
Economics and Rural Sociology

Hung-Yu Hu, Nantou, Taiwan  
B.S. (National Taiwan University)  
*Field of Specialization:* Agricultural  
Economics and Rural Sociology

Nelson Cheung-Sun Hung,  
Cleveland Heights  
B.S.E.E. (University of Missouri at  
Columbia)  
*Field of Specialization:* Electrical  
Engineering

Kathleen A. Hunyadi, Columbus  
B.S.Nurs.  
*Field of Specialization:* Nursing

Yoshiharu Inoue, Osaka, Japan  
B.E. (Kyoto University)  
*Field of Specialization:* Chemistry

Betty D. Jermier, Columbus  
B.S.N. (Wisconsin State University)  
*Field of Specialization:* Nursing

Cheuk Wah Kan, Madison, Wis.  
B.S. (University of Wisconsin)  
*Field of Specialization:* Computer  
and Information Science

Karen Valerie Karaffa, Trenton, N. J.  
D.V.M.  
*Field of Specialization:* Veterinary  
Clinical Sciences

Jerry B. Keiper, Columbus  
B.S.  
*Field of Specialization:* Mathematics

\*Jean Gherky Killhour, Devon, Pa.  
*Field of Specialization:* Horticulture

Sharon B. Kittelberger, Columbus  
B.S.Nurs.  
*Field of Specialization:* Nursing

Lynn E. Kleck, Delta  
B.S. (Morehead State University)  
*Field of Specialization:* Agricultural  
Education

Richard Steven Knablein,  
Westchester, Ill.  
B.A. (Lawrence University)  
*Field of Specialization:* Computer  
and Information Science

Anthony James Knapke, Minster  
B.S.  
*Field of Specialization:* Computer  
and Information Science

Jeffrey A. Knight, Homewood, Ill.  
A.B. (Oberlin College)  
*Field of Specialization:* Genetics

Patricia Ann Knoop, Kettering  
A.B. (MacMurray College)  
*Field of Specialization:* Computer  
and Information Science

Margaret Quinn Krach, Columbus  
B.S.Nurs.  
*Field of Specialization:* Nursing

Ramachandran Krishnaswamy,  
Warren  
B.Tech.E.E. (Indian Institute of  
Technology, India)  
*Field of Specialization:* Computer  
and Information Science

\* Also Bachelor of Science in Agriculture,  
College of Agriculture and Home Economics

Daniel L. Kugel, Xenia  
B.S.E.E. (Columbia University)  
*Field of Specialization:* Electrical  
Engineering

Helen M. Kuhn, Lakewood  
B.S. (Notre Dame College)  
*Field of Specialization:* Microbiology

Judith Anne Kurzen, Canton  
B.A. (Otterbein College)  
*Field of Specialization:* Genetics

Anthony Michael Lacenere,  
Bayport, N. Y.  
B.S. in Bus.Adm (University of  
Dayton)  
*Field of Specialization:* Agricultural  
Economics and Rural Sociology

Robert Aurelio La Farge,  
San Antonio, Tex.  
B.S. (University of Texas)  
*Field of Specialization:* Aeronautical  
and Astronautical Engineering

Les E. Lanyon, Carlisle, Pa.  
B.S. Agron. (Iowa State University)  
*Field of Specialization:* Agronomy

William Edward Layo, Portage, Pa.  
B.S. (Pennsylvania State University)  
*Field of Specialization:* Welding  
Engineering

Leslie R. Lewis, Worthington  
B.F.A. (University of Illinois)  
*Field of Specialization:* Natural  
Resources

Heng-Cheng Lin, Tai-Chung, Taiwan  
*Field of Specialization:* Electrical  
Engineering

Virginia C. Livingston, Lima  
B.S.Nurs.  
*Field of Specialization:* Nursing

Deborah Diane Lumley, Columbus  
B.S.Nurs.  
*Field of Specialization:* Nursing

John James Lynch, Jr., Columbus  
B.S. (Valparaiso University)  
*Field of Specialization:* Microbiology

Paula Joan Mack, Parma  
B.S.Agr.  
*Field of Specialization:* Veterinary  
Physiology and Pharmacology

Jennifer R. Malcomb, Canton  
B.S.H.E.  
*Field of Specialization:* Home  
Economics

Michael E. Mantsch,  
Long Beach, Calif.  
B.S.Pharm. (University of Montana)  
*Field of Specialization:* Pharmacy

Boryue Mao, Taipei, Taiwan  
B.S. (National Taiwan University)  
*Field of Specialization:* Biophysics

Nerina Aires Coelho Marques,  
Belo Horizontz, Brazil  
Bach. em Ciencias Dom.  
(Universidade Rural Estado Minas  
Gerais)  
*Field of Specialization:* Home  
Economics

John J. Marsh, III, New Philadelphia  
B.S.I.E.  
*Field of Specialization:* Industrial  
and Systems Engineering

Caroline R. Martin, Columbus  
B.S.Nurs. (University of Missouri)  
*Field of Specialization:* Nursing

Michael Dean Matson, Sturgis, S. D.  
B.S.E.E. (South Dakota School of  
Mines and Technology)  
*Field of Specialization:* Electrical  
Engineering

Paul D. McChancy, Irwin, Pa.  
B.A. (University of Pittsburgh) ;  
M.C.R.P.  
*Field of Specialization:* Civil  
Engineering

Guy L. McCormack,  
Poughkeepsie, N. Y.  
B.S. (University of Puget Sound)  
*Field of Specialization:* Allied  
Medical Professions

Willie D. McCullough, Crockett, Tex.  
B.S. (Prairie View Agricultural and  
Mechanical College)  
*Field of Specialization:* Zoology

James A. McFaul, Jr., Oakland, N. J.  
B.S. (Widener College)  
*Field of Specialization:* Electrical  
Engineering

Patricia Anne McPartland,  
Fair Lawn, N. J.  
A.B. (University of Missouri) ;  
M.C.R.P.  
*Field of Specialization:* Preventive  
Medicine

Ruth Anne Mears, Newark  
B.S. Hec. (Ohio University)  
*Field of Specialization:* Home  
Economics

Gilbert J. Meredith, Columbus  
A.B. (Wilmington College)  
*Field of Specialization:* Allied  
Medical Professions

Martti Juhani Merilinna,  
Helsinki, Finland  
M.S. (Helsinki University of  
Technology)  
*Field of Specialization:* Civil  
Engineering

Glenn Scott Middleton, Columbus  
B.S.Agr.  
*Field of Specialization:* Agricultural  
Education

Mohamed Hago Mohamed,  
Barkat, Sudan  
B.S. (University of Khartoum)  
*Field of Specialization:* Agricultural  
Education

David K. Monson, Columbus  
B.S.Arch.  
*Field of Specialization:* Industrial  
and Systems Engineering

Thomas J. Moore, Columbus  
B.E.E. (Marquette University)  
*Field of Specialization:* Computer  
and Information Science

Thomas R. Moss, Greenwich  
B.S.Agr.  
*Field of Specialization:* Agricultural  
Education

William Edward Murphy, Stow  
B.S.Ed. (Miami University)  
*Field of Specialization:* Civil  
Engineering

Stephen Allen Musgrave, Tiffin  
B.A.  
*Field of Specialization:* Preventive  
Medicine

John Edward Myers, Circleville  
B.S.Ch.E.  
*Field of Specialization:* Chemical  
Engineering

Lawrence Dennis Nadel,  
Brooklyn, N. Y.  
B.S.E.E. (Polytechnic Institute of  
Brooklyn)  
*Field of Specialization:* Electrical  
Engineering

Patrick Ludwig Neat,  
Olympia, Wash.  
B.S. (University of Washington)  
*Field of Specialization:* Geology and  
Mineralogy

Joe E. Neuhausel, Columbus  
B.of Elect.Engineering (University  
of Louisville)  
*Field of Specialization:* Electrical  
Engineering

Thomas Ansel Nevitt, II, Columbus  
B.S. (Purdue University)  
*Field of Specialization:* Welding  
Engineering

- Roy R. Neyman, Jamestown, Pa.  
B.A. (Thiel College)  
*Field of Specialization:* Industrial and Systems Engineering
- Penelope Loudon Nielsen, Columbus  
B.S.H.E.  
*Field of Specialization:* Home Economics
- Shelley Pat Nierenberg, Dayton  
B.A.  
*Field of Specialization:* Industrial and Systems Engineering
- James R. Nolt, Jr., Lancaster  
B.S. (LeTourneau College)  
*Field of Specialization:* Welding Engineering
- Michael Allen Patterson, Ashland  
B.S.Ch.E.  
*Field of Specialization:* Chemical Engineering
- Charles B. Peffley, Vandalia  
B.B.A. (University of Cincinnati)  
*Field of Specialization:* Allied Medical Professions
- Janis E. Peterson, Brookfield  
B.S. (Youngstown State University)  
*Field of Specialization:* Physics
- Randall Wayne Potter, Kettering  
B.S.  
*Field of Specialization:* Statistics
- Jill D. Powell, Ada  
B.S.H.E.  
*Field of Specialization:* Home Economics
- Jolene Kay Presthus, Columbus  
B.S.in Nurs. (Capital University)  
*Field of Specialization:* Nursing
- Cecil Clay Reames, Pride, La.  
B.S. (Louisiana State University and Agricultural and Mechanical College)  
*Field of Specialization:* Computer and Information Science
- Kristine Ann Rebolz, San Jose, Calif.  
B.S. in Hydrology (University of Arizona)  
*Field of Specialization:* Civil Engineering
- Dan Dudley Reed, Hillsboro  
B.S.Agr.  
*Field of Specialization:* Horticulture
- Clarence John Rittenhouse, Columbus  
B.S.Agr.  
*Field of Specialization:* Agricultural Education
- David Charles Robb, Williston, N. D.  
B.S. (University of Washington)  
*Field of Specialization:* Biophysics
- Thomas John Roetgerman, Minster  
B.S.Agr.  
*Field of Specialization:* Agricultural Education
- Robert Whiting Roloson, Ashtabula  
B.S.Agr.  
*Field of Specialization:* Agricultural Education
- Michael E. Ruff, Canal Winchester  
B.S.  
*Field of Specialization:* Pathology
- Joann Safford, Columbus  
B.S. (South Dakota State University)  
*Field of Specialization:* Plant Pathology
- Robert Sanitra, Amsterdam  
B.S.  
*Field of Specialization:* Chemistry
- Vincent Thomas Schroeder, Leipsic  
B.S.Agr.  
*Field of Specialization:* Agricultural Education
- Mary Kay Shaughnessy, Philadelphia, Pa.  
B.S. (University of Kansas)  
*Field of Specialization:* Allied Medical Professions
- Wen-Bin Shyu, Tao-Yuan, Taiwan  
S.B. (Fu-Jen Catholic University)  
*Field of Specialization:* Chemistry
- Carmen Beverly Siciliano, Hammonton, N. J.  
B.S.Agr. (University of Delaware)  
*Field of Specialization:* Animal Science
- Asha K. Sippy, Bombay, India  
B.Comm. (University of Bombay)  
*Field of Specialization:* Agricultural Economics and Rural Sociology
- Sandra D. Skinner, New Kensington, Pa.  
B.S. (Agricultural and Technical College, State University of New York at Farmingdale)  
*Field of Specialization:* Home Economics
- Decio Carlos Slomp, Rio de Janeiro, Brazil  
B.C.E. (Federal University of Parana)  
*Field of Specialization:* Civil Engineering
- Kenneth Eugene Smith, Jefferson  
B.S.Agr.  
*Field of Specialization:* Agricultural Education
- Michael Edward Smith, Dayton  
B.S.C.E.  
*Field of Specialization:* Civil Engineering
- Bonnie Kauffman Sowers, Goshen, Ind.  
B.S. (Goshen College)  
*Field of Specialization:* Nursing
- Frederick L. Steed, Dayton  
B.S. (Knoxville College)  
*Field of Specialization:* Allied Medical Professions
- John Wilson Steidley, Cincinnati  
B.S.E.P.  
*Field of Specialization:* Nuclear Engineering
- Gregory Thomas Stelzer, Columbus  
B.S.  
*Field of Specialization:* Microbiology
- Regena Gale Stevens, Columbus  
B.S.Occ.Theer.  
*Field of Specialization:* Allied Medical Professions
- Glen C. Steyer, Fostoria  
B.S.M.E.  
*Field of Specialization:* Mechanical Engineering
- William D. St. John, Seattle, Wash.  
B.S. (Seattle University)  
*Field of Specialization:* Microbiology
- Nancy Kathleen Centa Stock, Columbus  
B.S. (Purdue University)  
*Field of Specialization:* Home Economics
- Robert L. Stone, Archbold  
B.S.Agr.  
*Field of Specialization:* Agricultural Education
- William Edwin Stone, Jr., Columbus  
B.S.Agr.  
*Field of Specialization:* Horticulture
- John Philip Stovall, Ellicott City, Md.  
B.S. (Rose Polytechnic Institute)  
*Field of Specialization:* Electrical Engineering
- Angela T. Supplee, New York, N. Y.  
B.S.Nurs. (Duke University)  
*Field of Specialization:* Nursing
- Donald E. Swonger, Mt. Sterling  
B.S.Agr.  
*Field of Specialization:* Agricultural Education

Jules Szanati, Columbus  
B.E.E.  
*Field of Specialization:* Electrical  
Engineering

Samuel S. J. Tam, Columbus  
B.S.Ch.E.  
*Field of Specialization:* Chemical  
Engineering

Christopher Leigh Taylor,  
State College, Pa.  
B.S. (Pennsylvania State University)  
*Field of Specialization:* Physics

Barbara Ellis Trehearne, Columbus  
B.S.Nurs.  
*Field of Specialization:* Nursing

Frank Roy Athol Turner,  
Chicoutimi, Que., Canada  
B.Sc.E.E. (University of New  
Brunswick)  
*Field of Specialization:* Welding  
Engineering

Daniel Attilio Vallera, East Liverpool  
B.S.  
*Field of Specialization:* Microbiology

Stephen Joseph Vesper,  
Covington, Ky.  
B.S. (Xavier University)  
*Field of Specialization:* Plant  
Pathology

Arvindkumar Ramji Vora,  
Bombay, India  
B.Tech. (Indian Institute of  
Technology)  
*Field of Specialization:* Civil  
Engineering

Steven E. Waddle, Springfield  
B.S.Agr.  
*Field of Specialization:* Agricultural  
Education

Robert Alan Wagner, Columbus  
A.B. (Oberlin College)  
*Field of Specialization:* Mathematics

Carl Anthony Waters, Cincinnati  
B.A. (University of Cincinnati)  
*Field of Specialization:* Mathematics

Joan Ellen Watson,  
Upper St. Clair, Pa.  
B.S. (Purdue University)  
*Field of Specialization:* Nursing

Rosa Lee Weinert, Reynoldsburg  
B.S.Nurs.  
*Field of Specialization:* Nursing

Gayle Ann Weinstein, Columbus  
B.A. (University of Colorado);  
M.A. (University of Denver)  
*Field of Specialization:* Horticulture

Trudy Ann Wellman,  
Port Angeles, Wash.  
B.S. (University of Washington)  
*Field of Specialization:* Home  
Economics

Rosemarie Steger Wendt, Columbus  
B.S.Ed.  
*Field of Specialization:* Natural  
Resources

Franz K. Werling, Columbus  
B.A.  
*Field of Specialization:* Computer  
and Information Science

David Oscar Wiechers, Columbus  
B.S. (Capital University); M.D.  
*Field of Specialization:* Physical  
Medicine

John Christopher Wilkes,  
Labrador City, Newfoundland  
B.Eng. (McMaster University)  
*Field of Specialization:* Welding  
Engineering

Ray Curran Williams, Reynoldsburg  
A.B. (University of Kentucky);  
B.B.A. (University of Washington)  
*Field of Specialization:* Allied  
Medical Professions

Margaret McClure Wilson, Toledo  
A.B. (Stanford University)  
*Field of Specialization:* Preventive  
Medicine

Michael Woltermann, Springfield  
B.A. (University of Dayton)  
*Field of Specialization:* Mathematics

Benedict C. M. Wong,  
Kowloon, Hong Kong  
B.S. (Ohio University)  
*Field of Specialization:* Industrial  
and Systems Engineering

David Hang Mun Wong,  
Kowloon, Hong Kong  
B.S. (University of Oregon)  
*Field of Specialization:* Computer  
and Information Science

Tommy Wright, Knoxville, Tenn.  
B.S. (Knoxville College); M.S.  
(University of Tennessee)  
*Field of Specialization:* Statistics

Greg Lindsay Young, Columbiana  
B.S.Agr.  
*Field of Specialization:* Natural  
Resources

Ruey-Her Yu, Taipei, Taiwan  
B.S. (National Tsing Hua  
University)  
*Field of Specialization:* Mathematics

Anthony Raymond Zelonis,  
Pittsburgh, Pa.  
B.S.Pharm. (Duquesne University)  
*Field of Specialization:* Pharmacy

Michael George Ziegler, Columbus  
B.A. (Otterbein College)  
*Field of Specialization:* Physics

## Colleges of the Arts and Sciences

Chairman, Coordinating Council of Deans: Colin B. B. Bull

Vice Provost for the Arts and Sciences: Thomas A. Willke

The Colleges of the Arts and Sciences, a federation of five colleges, includes:

### College of The Arts

Dean: Lee Rigsby

### College of Biological Sciences

Dean: Richard Bohning

### College of Humanities

Dean: Arthur E. Adams

### College of Mathematics and Physical Sciences

Dean: Colin B. B. Bull

### College of Social and Behavioral Sciences

Dean: Edward C. McDonagh

## College of the Arts

Dean: Lee Rigsby

### Bachelor of Arts

Seven candidates

Lanney Griffith Franks, Spring Valley  
Todd Ian Gerstein,  
Roslyn Heights, N.Y.  
Marilyn Wilson Lococo, Columbus  
Glennis Snow Milliken, Rumson, N. J.  
Ellen Susan Newman, Columbus  
Sara Joan Provost, Columbus  
Diana Joy Evans Vavra, Columbus  
B.S.Ed.

### Bachelor of Fine Arts

Twenty-six candidates

Regina Lynne Ballard, Wilmington  
David Jennings Braun, Jr.,  
Strongsville  
Richard Wayne Brazill, Columbus  
Diane Elaine Burkholder, Mansfield  
Stephen Basil Christo, Elyria  
Tina Cohen, Snyder, N. Y.  
Kathleen Cooper, Toledo

Jerry Martin Davenport,  
Chambersburg, Pa.  
Michelle Guillot, Columbus  
Ronald Jay Hackathorn, Columbus  
Deborah Sue Hershey, Dayton  
Charles Allen Mathison, Columbus  
Ruthanne Helman McGookey, Willard  
Joseph Mustacchi, Westerville  
Terry Ann Peddle, Stow  
Christopher Dean Ries, Galloway  
Mary Ann Anderson Ruth, Columbus  
Denise Caroline Sain, Columbus  
Elwood Larry Sauselen, Bucyrus  
Lita Hasselo Smith, Columbus  
B.Art Ed.  
Jon Christopher Townley, Columbus  
Janice Elizabeth VanNort, Akron  
Charlotte Kay Wallace, Lima  
William Allen Williamson, Lorain  
John Frederick Wittmann, Columbus  
Stanley Antoni Wrzyszczyński,  
Columbus

**Bachelor of Art Education**  
Offered jointly by the  
**College of The Arts and the**  
**College of Education**

### Bachelor of Art Education

Six candidates

Gary Steven Bone, Columbus  
Jill Reid Burgess, Perrysburg  
Patricia Anne Gerhardstein,  
Columbus  
Judie Smith Hubbard, Columbus  
Yvonne Sweitzer Petty,  
Canal Winchester  
Kathleen Rose West, Zanesville

**Bachelor of Music Education**  
Offered jointly by the  
**College of The Arts and the**  
**College of Education**

### Bachelor of Music Education

Six candidates

David Jonathan Berger, Versailles  
Mary Wright Elliott, Columbus  
James Woodrow Myers, Columbus  
Lawrence Roger Schmidt, Columbus

Joseph McCain Thrower, Columbus  
William Allen Zornes, Newark

### Bachelor of Science in Industrial Design

Two candidates

Patrick William Fellers, Columbus  
Charles Michael McCaleb, Columbus

## College of Biological Sciences

Dean: Richard Bohning

### Bachelor of Arts

Four candidates

Thomas Joseph Alexander, Columbus  
Robert Leslie Fairchild, Dayton  
Gary Gerard Piazza, Forest Park, Ill.  
Robert L. Roberts, Ironton

### Bachelor of Science

Thirty-four candidates

Craig Stuart Bergstrom, Chesterland  
Ronald Larry Biro, Solon  
Kerry Philip Brown, Newark  
Steven Edward Burden, Lima  
John William Burns, Covina, Calif.  
Timothy Samuel Calderone, Niles  
Vivian Louise Clark, North Ridgeville  
Audrey Helene Gallin,  
Beechhurst, N. Y.  
Michael Francis Gardner, Columbus  
Gilbert Ross Ghearing, Marion  
Mark David Gould,  
University Heights  
Charles Martin Grimm, Columbus  
John Michael Hesse, Norwood  
Jeff Paul Hooper, Columbus  
Jeffrey David Jones, Youngstown  
Dirk Alan Lanham, Niles  
Jeffrey Lowell Leech, Sandusky  
Ladon Conrad Marsh, Lisman, Ala.  
Philip Terry McBride, Ludlow Falls  
George Heath McCullough, II,  
Oregon  
Ruth Ann McVeigh, Sterling, Va.  
Gregory Lewis Parham, Columbus  
Emma Lou Roberts, North Canton  
Susan Dee Schwartz, Shaker Heights

Cynthia Ann Smith, Columbus  
Stephen Allen Smith, Marietta  
Joseph Dean Snyder, Fredericktown  
Steven Jay Taylor, Columbus  
Daniel Hartman Tetirick, Columbus  
Jeffrey Alan Titus, Botkins  
James Joseph Wasil, Columbus  
Glenda B. Wexler, Cleveland  
Bill Bradley Williams, Amherst  
Leslie Zimmerman, Williamsport

## College of Humanities

Dean: Arthur E. Adams

### Bachelor of Arts

Sixty-six candidates

Richard Monroe Alderson, III,  
Columbus  
Timothy Dean Ashbaugh,  
New Philadelphia  
\*Neil Scott Barr, Amanda  
Patrick David Bednarczyk, Columbus  
Richard Joseph Berris,  
University Heights  
Andrew James Boyle, III, Milford  
Mary Alice Brand, Columbus  
Laurie Peyton Browne, Columbus  
Renee Burke, Cleveland  
Cynthia Ann Carter, Fostoria  
Robert Zent Chew, III,  
Shaker Heights  
Cass William Conaway,  
Presidio, Calif.  
Kenneth Wayne Crawford, Jr.,  
Worthington  
Kathleen Brennan D'Arcy, Columbus  
Billie Saleta Davenport, Youngstown  
Richard Lynn Davis, Akron  
Timothy Joseph Dennis,  
South Windsor, Conn.  
Martin Andrew Donovan, Cincinnati  
Robert Terry Dyson, Mansfield  
Wayne Gifford Early, Columbus  
William Thomas Elam, Dayton  
Carolyn Ann Eley, Columbus  
Lorrie Enkara, Canton  
Roger Lawrence Fair, Columbus  
Jeffrey Michael Ferritto, Grove City  
Stephen Charles Flynn, Columbus  
Georgia Sharon Gardner, Columbus  
Diana Sue Geer, Westerville  
Deborah Lea Gerhard, Columbus  
Charles Gregory Gibson, Cincinnati

Maureen Elizabeth Gilbert, Heath  
Susan Lee Goodwin, Columbus  
Janice Margaret Heck, Mansfield  
Nancy Lee Heselden, Pittsford, N. Y.  
Kevin Moore Himmelberger, Columbus  
Thomas Joseph Hindes, Columbus  
Nancy Lee Hines, Cincinnati  
Freddie Warren Jackson, Columbus  
John Kingsley Kadey, Ashland  
Douglas Allen King, Toledo  
Jeffrey Guy King, Chillicothe  
Elvira Kirillow, Columbus  
Josephine Matthews Lamini,  
Columbus  
Dawn Serena Lamp, Clermont, Ind.  
Michael Ervin Lauer, Hamilton  
Katherine Elaine LeMasters, Marion  
Noreen Ellen Marcinick,  
Brooklyn Heights  
Valerie Ann Murray, Cincinnati  
Donald M. Offenbacher, Lima  
Cherlyn Beth Paul, Columbus  
Barbara Ann Peak, Columbus  
Daniel Salisbury Pennell,  
Columbus  
Randolph James Pierce, Columbus  
Donna Dittmar Reichert, Columbus  
Lawrence Gary Reinhold, Jefferson  
Rhonda Lee Richards, Columbus  
Rhonda Lee Shary, Columbus  
\*\*Patrice Jo Snyder, Wooster  
Frances Morton Sumner, Columbus  
B.A. (Mary Baldwin College)  
Dennis Daniel Toth, Columbus  
Cynthia Ruth Violet, Columbus  
Debra Janell Welker, Gahanna  
Catherine Elizabeth West, Columbus  
James Anderson Whitaker, Jr.,  
Columbus  
Patricia McDermott Williams,  
Columbus  
Sherie Shireen Zand, Columbus

## College of Mathematics and Physical Sciences

Dean: Colin B. B. Bull

### Bachelor of Arts

Three candidates

John Edward Adam, Columbus  
B.S.  
Salomon Raymond Arar, Columbus  
John Frank Kozlowski, Cleveland  
B.S.

## Bachelor of Science

Twenty-seven candidates

Helene Denise Babich, North Canton  
Michael Eli Bakich, Steubenville  
Michael Lewis Beal, Columbus  
Barbara Jean Bennington, Cadiz  
Theresa Ann Benser, Columbus  
Curtis James Coe, Lima  
Dean Allen Coe, Stockbridge, Mass.  
Carolyn Anne Conger, Syracuse, N. Y.  
Nancy Sue Conrad, Canton  
Alfred Ray Cromer, Elida  
Ralph William DeHart, Trotwood  
Ronald Richard Fisher, Columbus  
Dhananjay Hajela, Dehradun, India  
Bruce James Hidy, Columbus  
Leonard Mark Lind, Poland  
Marybeth Mihalek, Maple Heights  
John Patrick Moffitt, Columbus  
David Michael Muncy, Amlin  
Michael Bruce Powers, Columbus  
John Robert Rogers, Tallmadge  
James Richard Seffens, Sebring  
Roger Martin Senerius, Columbus  
Kathy Ann Stacy, Lowell  
Wayne Lee Waldron, Columbus  
David Bruce Weishampel, Avon Lake  
David Paul Yaniglos, Youngstown

## College of Social and Behavioral Sciences

Dean: Edward C. McDonagh

### Bachelor of Arts

One hundred and nineteen candidates

Fredrick Tingley Abbott, Jr.,  
Westerville  
James Alexander Allen, Granville  
Grayson Carroll Anderson, Warren  
Patricia Lee Anderson, Pepper Pike  
Ronald Eugene Archer, Woodstock  
Brian Philip Barger, Toledo  
James Arnold Beaver, Piqua  
Richard Paul Beierle, Cincinnati  
Jasmine Elaine Blanton, Columbus  
Kathryn Maureen Boltz, Newark  
Marlin Lester Borsick, Norwalk  
Raymond Charles Braun, Rocky River

\* Also Master of Arts, Graduate School  
\*\* Also Bachelor of Science in Education,  
College of Education

Margaret Alice Brown, Columbus  
 Michael David Bugenstein, Lima  
 Carolyn Mae Carcutt, Cincinnati  
 Lynne Carol Casterline, Cincinnati  
 Brenda Lee Chandler, Sunbury  
 Lloyd Daniel Cohen, Columbus  
 Philip Alan Craig, Lorain  
 Paul Lindsay Criswell,  
 Bethel Park, Pa.  
 Debbra Suzanne Dunlap,  
 Reynoldsburg  
 Ralph Warner Eaton, Rocky River  
 Michael James Eberts, Columbus  
 Ruby Edwards, Cleveland Heights  
 Suzanne Elaine Evanoff, Youngstown  
 John Paul Fahey, Toledo  
 Willard Tompkins Fernald, Bexley  
 Barbara Anne Ferris, Parma  
 Mildred Elizabeth Figuli, Cleveland  
 Dewey David Fisher, Jr., Coshocton  
 Evelyn Brown Wenninger Freeman,  
 Bucyrus  
 Diane Ailyn Frisch, South Euclid  
 James Franklin Furrow, Columbus  
 Cynthia Vanessa Gettys, Thornville  
 Patricia Lynn Grashaw, South Euclid  
 Gregory Charles Hamilton, Columbus  
 Judith Lynne Hartsel, Columbus  
 Terry Louise Hebb, Columbus  
 Paula Ping Hu, Columbus  
 Patty Jo English, Columbus  
 Joseph Shmuel Israel, Columbus  
 Brenda Lucille Jackson, Warren  
 Dean Thomas Jelett, Columbus  
 Nancy Marie Jewett, Gahanna  
 Susan Lee Juster,  
 Valley Stream, N. Y.  
 Kraig Alan Kanitz, Middletown  
 Linda Kay Spillman Kear, Morral  
 Thomas William Kearney,  
 Wheaton, Ill.  
 Gary Allen Kenton, Sidney  
 Maurice Milo Kitsmiller, Columbus  
 Robert Edward Klein, II, Columbus  
 Sharon Lee Knowles, Medina  
 Kim A. Komitor, Worthington  
 David Robert Krennick, Loudonville  
 Richard Arthur Kruder, Marion  
 Harold Kuehn, Lorain  
 Thomas John Kulka, Columbus  
 Robert Kurowski, Parma  
 Carmen Adela Lavernia, Columbus  
 Dennis James Laws, Parma  
 Peter Graham Ling,  
 St. Lawrence, Great Britain  
 Karen Marie Litten, Circleville  
 Shirley Mae Maase, Columbus  
 Robert Douglas Maldeis, Columbus

Martha C. Burton Matuska,  
 Columbus  
 Teresa Lynn McCarty, Columbus  
 Cynthia Lou McNeal, Cincinnati  
 Daniel Scott Miller, Worthington  
 Leslie Ann Miller, Clyde  
 Lawrence Frederick Mull, Columbus  
 John Stephen Myers, Upper Sandusky  
 David Alan Nibert, Springfield  
 Nancy Ann O'Brien, Dayton  
 Jane Getker Parks,  
 St. Petersburg, Fla.  
 Peter Paul Petrash, Brecksville  
 Franklin Portier, Gahanna  
 Larry Allen Pumpelly, Columbus  
 Richard Lee Reish, Marion  
 Dean Arnold Rile, Columbus  
 Jennifer Anne Roback, Columbus  
 Deborah Robinson, Lima  
 Sharon Lee Roysce, Greenfield  
 Bernard Julius Ryznar, Niles  
 Mary Kathleen Sandvig, Sidney  
 Joseph Sam Savoca, Euclid  
 Linda Young Scheid, Columbus  
 Nancy Lukas Schmitz, Columbus  
 Philip Ray Scott, Sunbury  
 Janie Karen Sergent,  
 South Webster  
 James Thomas Seymour, Mansfield  
 Randy Martin Shock, Lima  
 William Ray Siningor, West Union  
 Kristina Sodaitis Siulte, Columbus  
 Barbara Ann Skunza, Columbus  
 Anthony Allen Snyder,  
 Richmond Heights  
 Diana Lynn Southworth, Dublin  
 William Allen Taylor, Cleveland  
 Eugene Paul Theus, Euclid  
 Reid LeMyron Thompson,  
 Worthington  
 Timothy Norbert Traxler,  
 Avon Lake  
 James M. Tullis, Hamilton  
 William Stevenson Van Allen,  
 Westerville  
 Donald James VanderHorst, Celina  
 Paul Robert Walker, Mansfield  
 Susan Irene Walker, Springfield  
 Paul Lawrence Wallace, Reynoldsburg  
 Samuel Poulton Wallace, Columbus  
 Irma Jean Watson, Cleveland  
 Jeffrey Ladd Welles, Chagrin Falls  
 Ronald Elliott Wentz, Bucyrus  
 Jerome Wieder, Cleveland  
 Robert Douglas Wightman, Columbus  
 B.S.Ed.  
 Susan Wilcon,  
 Highland Park, Ill.  
 John Lewis Wilks, Dayton

James Anthony Williams,  
 Washington, D. C.  
 John Theodore Wilson, Marion  
 Ollie Joel Wright, Cleveland  
 Thomas Russell Yocum, Steubenville  
 Timothy Jon Zeller, Medway  
 Robert William Zumstein, Columbus

#### **Bachelor of Science**

Nineteen candidates

Randall Lester Albert,  
 Delray Beach, Fla.  
 Cheryl Rene Bailey, Treveose, Pa.  
 Michael Gregory Brown, Lancaster  
 Waunidi Changamire, Columbus  
 Richard Michael Conte, Columbus  
 John Patrick Doyle, Cleveland  
 Edward Wilson Gallagher, II,  
 Kettering  
 John Allen Grimshaw, Dover, N. J.  
 William Joseph Hambor, Columbus  
 Douthlie Monette Hatcher,  
 Deer Park, N. Y.  
 Larry Winston Irvine, Columbus  
 Richard LeRoy Jantzen,  
 Columbus  
 Gary Korr, Lineroft, N. J.  
 Cherie Beth Lewis, North Canton  
 Mike Frank Magyary, Akron  
 James Edward Manuel, Jr., Cleveland  
 Lois Jean Parke, Westerville  
 Donn William Rosselet, II, Columbus  
 Jane Marie Visocan, Garrettsville

#### **Bachelor of Arts in Journalism**

Thirty-six candidates

Michael Steven Allen, Orient  
 Jeanene Rieb Bartel, R.A.F.B.  
 Lee Annette Berger, Westerville  
 Thomas Watson Berridge, Hamilton  
 Judith Schroeder Blevins, Columbus  
 Richard Alan Brooks, Columbus  
 Sharon Anne Cady, Columbus  
 James Michael Casey, Columbus  
 Donald Edward Colley, Jr.,  
 West Jefferson  
 Marla Lakin Crockett, Columbus  
 Erika Diana Fiske, Columbus  
 Linda Marie Fitzpatrick, Columbus  
 Ruth Ann Gerstner, St. Marys  
 Lee Carl Gordon, Chicago, Ill.  
 Barry Randy Gumerove, Jericho, N. Y.  
 Jennifer Ann Guy, Marion  
 Mark Edward Heglin, Cincinnati  
 Kimberly Sue Hess, Columbus  
 Rodger Michael Jones, Rocky River

## College of Administrative Science

Dean: Edward H. Bowman

Carol Ann Krotje, Newton, N. J.  
Dennis Leo Lynch, Youngstown  
Freda Ann Nelson, Painesville  
Karen Lea Newell, Rocky River  
Richard Anthony Piergallini,  
Steubenville  
Mark John Prendergast, Columbus  
Robert David Puhr, Marion  
Janet Louise Rebman, Chagrin Falls  
James Jeffrey Rennie, Columbus  
Michael David Salster, Columbus  
Nancy Goodwine Saul,  
Bellevue  
Ellen Beth Schneider, Louisville, Ky.  
Randy Joe Shields, Columbus  
Judy Ann Snyder, Kirby  
Mary Alice Wilkin, Venedocia  
Vicki Lynne Williams, Powell  
Stephen Sage Williamson, Columbus

### Bachelor of Science in Business Administration

One hundred and forty candidates

Douglas Brian Allen, Bellaire  
Robert Lee Angel, Dayton  
Philip David Astry, Jr., Bay Village  
Richard Stanley Ault, Galion  
Stephen John Balkun, Steubenville  
Patricia May Balsizer, Gibsonburg  
Lawrence Tyrrell Bangs,  
Worthington  
Thomas Joseph Basehart, Columbus  
Rickey Dean Bashaw, Reynoldsburg  
Jon Richard Beach, Columbus  
Alan Wesley Berger, Beachwood  
Abdelelah Salim Bin-Mahfooz,  
Jeddah, Saudi Arabia  
Darlena Marie Boblit, Sidney  
James Leonard Boggs, Marion  
John Robert Bonfante, Columbus  
David James Botchlett, Lima  
John Evans Bowers, Circleville  
William Frederick Boyle, Columbus  
J. Robert Briscoe, Doylestown  
Terry Lynn Brown, Dayton  
Marcus James Brubaker, Kettering  
Joseph Edward Budde, Kettering  
Nicholas Edward Bunch, Cincinnati  
Darlene Sue Carr, Sidney  
Jeffrey Lee Cash, Shadyside  
John Sam Cirincione, Cleveland  
Lloyd Neil Clark, Cleveland  
Donald Richard Conant, Columbus  
Michael James Creager, Dayton  
Ralph Thomas Cripps, Medina  
James Crymes, Jr., Milwaukee, Wis.  
Paul Richard Davis,  
Toronto, Ont., Canada  
John T. Deafenbaugh,  
Reynoldsburg  
Lex Charles Depoy, Columbus  
Eric Richard Doran, Hilliard  
Russell Lee Dougherty, Columbus  
Michael Bruce Dudgeon, Mt. Vernon  
Lee Edward Durban, Galloway  
Elgin Lee Eason, Dayton  
Paul Wendell Edgington, Cincinnati  
Clark Allen Elliot, Piqua  
Susan Flinn, Columbus  
Larry Alan Folk, Willowick  
Terrence Paul Freund,  
Middleburg Heights  
Jeffrey Lynn Gates, Dayton  
Gary Michael Geswein, Ironton  
Morris Goins, Hamilton  
John Vincent Goodwin, Columbus  
Sharron Armstrong Harrison,  
Columbus

Dan B. Hayes, Chesapeake  
Jon Thomas Henderson,  
San Rafael, Calif.  
Brent Alan Hochradel, Toledo  
Carol Anne Hoffer, Cambridge  
Stephen Louis Hood, Hamilton  
James Craig Hughes, Centerville  
Barry Eugene Hunlock, Columbus  
John Roger Hunt, Lima  
Denise Loré Jackson, Winchester  
Kenneth Earl Jones, Middletown  
Robert Lynn Justus, Columbus  
Robert Barth Kallmerten, Columbus  
Geoffrey Merlin Kemp, Kettering  
Alan Scott Kiene, Valley City  
David Albert King, Dayton  
Richard Lee Kinnison, Jeffersonville  
James Paul Klingshirm, Lima  
Terrence Allan Koebe, Dayton  
Robert Wolfgang Krajewsky,  
Lakeview  
Horace John Kramer, Eaton  
Thomas Wesley Kramer, Springfield  
Dennis William Lafferty, Hillsboro  
William Dennis Lange, Columbus  
Joseph Leroy Lenhart, Marysville  
Robert Lee Liscano, Galion  
Kim Robert Livensparger, Columbus  
Randy Thomas Livingston, Lorain  
Thomas Andrew Ludwick, Hillsboro  
Guy Joseph Macke, Ottawa  
Charles Edward Markhoff, Jr.,  
Worthington  
Steven Bruce Marksohn, Jericho, N.Y.  
David William Marlow, Mansfield  
Anthony Joseph Marone, Jr.,  
Bellevue, N. J.  
Charles Page Maxwell, Columbus  
James Philip McKenzie, Columbus  
Maureen Therese McNamara, Parma  
Bruce Mendlowitz, Columbus  
Edward Morgan Miller, Maumee  
Sue Anne Miller, Groveport  
Jeffrey Craig Mitchell, Columbus  
Maria Victoria Moreno,  
Bucaramanga, Rep. of Colombia  
John Joseph Morone, Columbus  
John David Morris, Canton  
Carol Sue Myers, Columbus  
John Joseph Naymick, Jr., Newbury  
Lynn Veronica Northrop, Westlake  
Mark Patrick O'Flynn  
Washington C. H.  
James Robert Pancoast,  
Bloomfield Hills, Mich.  
Bruce Bennett Parker, Columbus  
Russell Eric Peterson, Columbus  
Gary Lee Phillips, Columbus  
Dana Michael Philpott, Mansfield



## College of Agriculture and Home Economics

Dean: Roy M. Kottman

Joseph Presto, Barberton  
Larry Wayne Price, Grover Hill  
Dennis Murrel Randolph, Kettering  
David Wayne Rico, Newark  
Danny Chester Rippeth, Columbus  
William Dennis Ritchie, Madeira  
Howard Paul Robboy,  
Mayfield Heights  
Robert Paul Rutter, Garfield  
Peter Alexander Saliba, Caldwell  
Gregory A. Sedgwick, Marysville  
Steven Paul Seehafer, Columbus  
Nathaniel Edward Seward, Columbus  
Jamie Dale Shapiro,  
University Heights  
Michael Patrick Sherman, Columbus  
Alan James Shibley, Parma  
Johanna Lynn Shuler,  
Ann Arbor, Mich.  
Donald Royce Shumaker, Columbus  
Michael Ralph Skinner, Mansfield  
David Dean Slabodnick, Columbus  
James Robert Sonchik,  
Maple Heights  
Larry Gene Stanley, Greenup, Ky.  
Stewart Kent Strobe, Ravenna  
Gregory Lynn Telles, Minerva  
Steven Douglas Tester, Wapakoneta  
Bradley Dickenson Tewart,  
Worthington  
Sonja Louise Trierweiler, Columbus  
Robert William Uncles, III,  
Worthington  
Richard Lee Walters, Columbus  
Thornton Kingsley Walton,  
Upper Sandusky  
Kenneth Carl Warnke, Toledo  
Millicent Marie Warren,  
Bloomfield Hills, Mich.  
Milan Nicholas Wascovich, Lorain  
Michael Eric Weber, Columbus  
Paul Allen Weglage, Dayton  
James Alan Welsh, Eaton  
Nancy Ann Williams, Brilliant  
Samuel Douglas Williamson,  
California, Pa.  
Richard Dale Winters, Loudonville  
Steven Allen Zarley, New Albany

### Bachelor of Science in Agriculture

Forty-five candidates

Marjorie Janet Anderson, Dayton  
David Albert Blauser, Somerset  
David Anthony Boland, Kettering  
Jerry Holmes Carroll, Amsterdam  
Asa Miles Chester, Circleville  
Christine Joanne Davis, Kettering  
John Alan Dull, Greenville  
George Perry Feintheil, Cincinnati  
Don William Pennock Fraser,  
Zanesfield  
\*Mary Ellen Geib, Euclid  
Robert Joseph Gruebel, Columbus  
Marc Edwin Henery, Lexington  
Mark Lindsey Hurt, Chillicothe  
Richard Dean Jordan, Eaton  
\*Jean Gherky Killhour, Devon, Pa.  
James Leo Kuhlman, Findlay  
Mildred Ann Lohri, Euclid  
Suzanne Maple, Columbus  
Lynn Allen Martin, Fremont  
Cheryl Davidson Miller,  
Bowling Green  
Kris Alan Miller, Williamsport, Pa.  
Eric Scott Mohrmann, Columbus  
David Karl Murdock, Waterville  
Margaret Evelyn Newman,  
Kingston, Jamaica  
Eric Norman Parthemore, Columbus  
Dennis Ray Pittenger, Columbus  
John William Pusey, Waterville  
Richard S. Ringler, Columbus  
James Neal Rini, Worthington  
Daniel Edgar Roberts, Radnor  
William Martin Roeth, Piqua  
Paul Keith Schriver, Grafton  
Roger Leland Shaw, Columbus  
James Allen Sheterom, Columbus  
Thomas Henderson Shreyer,  
Columbus  
Edward John Silvieux, Kingsville  
Lawrence Emerson Stewart, Jr.  
Gahanna  
Daniel James Stradley, Columbus  
Michael Lerr Strimple,  
Bedford Heights  
Clifford Richard Swanson, Columbus  
Jeffrey Charles Weisbecker, Okeana  
Douglas Bernard Wereb, Westlake  
Karen Mae Williams, Cleveland  
Robert Kenneth Yosay, Youngstown  
Donald Lee Zurface, Jr.,  
Washington C. H.

### Bachelor of Science in Food Technology

Three candidates

Kenneth George Pokorny, Columbus  
Marilynn Ann Skoog, Hillsboro  
Catherine Lee Terrian,  
New Carlisle

### Bachelor of Science in Nutrition

Two candidates

Ronald Edward Rompala, Brooklyn  
Thomas Andrew Smaxwell, Dayton

### School of Home Economics

#### Bachelor of Science in Home Economics

Thirty-six candidates

Renea Wegner Arnold, Columbus  
Sue Ann Barnes, Radnor  
Evelyn Jean Buckingham, Greenville  
Pamela Jean Burgess, Columbus  
Cynthia Snyder Conner, Parkman  
Susan Beth Corcoran, Columbus  
Sharon Ann Erwin, Dunkirk  
Joan Mettee Fieger, Ravenna  
Anita Marie Fultz, Middleport  
Mary Lynn Gallagher, Columbus  
Shirley Gehres Galloway, Ohio City  
Helen Marie Gasser, Logan  
Martha Lou Graves, Worthington  
Barbara Joann Heinz,  
Washington C. H.  
Robin Sue Johns, Wooster  
Barbara Jean Johnson, Marion  
Mary Ruth Kappus, Vermilion  
Judith Sue Katz, Youngstown  
Diane Adams Keep, Woodstock  
Karen Sue Kirst, Elyria  
Nancy Anne Kramer, Canton  
Monadine Vichosky Matthey, Lakewood  
Colleen Kay McMullen, Hillsboro  
Mary Elizabeth Morehead, Amanda  
Carol Jo Moss, Columbus  
Janice Lynn Patton,  
Washington C. H.  
Kathy Anne Payne, Johnstown  
Donna Porrello Pokorny,  
Garfield Heights  
Julia Farrow Pretorius, Dover  
Susan Christine Puskac, Columbus  
Patricia Ann Sieniawski, Cleveland  
Laura Schneider Vivyan, Columbus  
Janet Lou Warthen, Newark  
Linda Roller Watson, Columbus  
Beverley Ann Wolf, South Euclid  
Phyllis Ann Wren, Chagrin Falls

\* Also Master of Science, Graduate School

## College of Education

Dean: Frederick R. Cyphert

### Bachelor of Science in Restaurant Management

One candidate

George Richard Fries, Toledo

### School of Natural Resources

Thirty-one candidates

Don Mitchell Anderson, Pomeroy  
Robert Baron Bolan, Mauldin, S. C.  
Thomas Eugene Bowersox, Hamler  
Gregory Neil Butler, Mansfield  
Sandra Creasap Carver, Columbus  
Douglas Morrison Copp, Vandalia  
Erin Sue Crececius, Morton, Ill.  
Robert Allen Cressman, Jr.,  
Columbus  
Dennis Lino DeSapri, Columbus  
Allen Eugene Fordyce, Columbus  
Dennis LeRoy Hefner, Lima  
Eileen Mary Howell, Avon Lake  
George Charles Hudak, Youngstown  
Philip Bruce Johnson, Blanchester  
Mary Jane Wetli Mayo, Antwerp  
Theresa Ruth Miller, Columbus  
Robert Edward Muza, Struthers  
Mary Jo Myers, Columbus  
Thomas Allen O'Brien, Columbus  
Patrick Roland Ott, Columbus  
Kenneth Wayne Peloe, Youngstown  
Ralph Thomas Rogers, Columbus  
William Jackson Rose, Jr., Wyoming  
Randall Edward Sanders, Cincinnati  
Thomas Glen Schafer, Westerville  
Todd Bernard Smyth, Toledo  
Chris Alex Strain, Canton  
Roger Francis Thoma, Heath  
Danny Mitchell Walker, Hillsboro  
David Lloyd Walker, Parma  
Larry Zolton, Youngstown

### Agricultural Technical Institute—Wooster

#### Associate of Applied Science Degree

Six candidates

John F. Berghausen, Glendale  
Mary Catherine Czerepak, Dover  
Stephen Frederick Frey, Cincinnati  
B.A.  
Gary Wayne Pollock, Westerville  
Gabriel Andrew Rozsa, Steubenville  
William Linzey Safreed,  
New Albany

### Bachelor of Science in Education

One hundred and seventy-four candidates

Frances Lynn Alferio, Elyria  
Rita Ann Anderson, Columbus  
Leslie Jean Antenucci, North Canton  
Robert Arthur Atwell, Columbus  
B.A.  
Leonard Edward Ball, Columbus  
Smokey Lynne Bare, Columbus  
Judith Ann Baumgardt, Columbus  
Laurie Lou Bell, Toledo  
Mary Ellen Bighouse, Columbus  
Jeri Anne Borsich, Medina  
Patricia Lutz Brandau, North Canton  
Roger Lee Branham, Ashville  
John Daniel Brewer, Columbus  
B.S.Bus.Adm.  
Robert Jay Brown, Columbus  
Ronald Steven Brown, East Sparta  
Brenda Louise Brunson, Cincinnati  
Thomas Patrick Bryant, Worthington  
Brad Richard Bundy, Steubenville  
B.S.  
Ruby Lee Burney, Akron  
Carol Ann Burton,  
Warrensville Heights  
Sara Lu Callender, Edgerton  
Craig Martin Campbell, Westerville  
William Joseph Capuano,  
Cranston, R. I.  
Susan Rae Cline, Mansfield  
Vicki Lynn Conley, Delphos  
Kathleen Mary Connelly, Columbus  
Michael Patrick Conry, Collins  
Heidi Dech Cox, Hill AFB, Utah  
Leroy Calvin Daniels, Columbus  
Helen Bowyer Davidson, Bellville  
Michael Charles Davis, Columbus  
Marsha Cope Decker, Columbus  
Nancy Dayton Delugach, Columbus  
Mary Joanne DiCristofaro, Warren  
Angela Louise Dillon, Mansfield  
Lynn Ann Dinges, Mansfield  
Gregory Alan Douglass, Lima  
Dawn Ann Dysart, Newark  
D. Mark Ehlen, Kenton  
Pamela Ann Eltringham, Lore City  
Robert Richard Ervin, Columbus  
Waverly Hagey Espie, Columbus  
Carol Ann Evans, Columbus  
Margaret Ann Evans, Venedocia  
Edith Madeline Fell, Seneca  
David Samuel Felter, Columbus  
Joan Elizabeth Ferriman, Wayne, Pa.  
Karen Lynn Firestone, Tallmadge  
Richard Curtis Forman,  
Cleveland Heights

Theodore Frissora, Jr., Columbus  
Ursula Scheufele Gaber, Columbus  
George Michael Garber, Lancaster  
Angela Sue Garvey, Salem  
Joanna Narain Gidwani, Columbus  
A.B.,M.A. (Wellesley College);  
Ph.D.

Farrel Neil Golden, Columbus  
Sandra Kay Goldsmith, Galion  
Mary Augusta Graham, Dublin  
Patsy O'Dell Gray, Columbus  
Denise Higginbotham Grimes,  
East Orange, N. J.  
Patricia Kay Hamilton, Urbana  
David Todd Handwerk, Orville  
Kathryn Ann Hanichak,  
Cuyahoga Falls  
William Harry Harelson, Jr., Lima  
Judith Jeffers Harnett, Sidney  
Richard Douglas Hart, Canton  
Peggy Lee Hays, Delaware  
Roger Frank Heil, Columbus  
Linda Lamb Henderson, Delaware  
Mary Elizabeth Higgins, Columbus  
John Keith Hill, Columbus  
Richard Allan Horan, Columbus  
A.B. (Case Western Reserve  
University); M.A.  
Vickie Lynn House, Killbuck  
Roslyn Howard Hunt, Columbus  
Denise Masi Irwin, Columbus  
Carol Turnock Jacob, Columbus  
Cert. Grad. Dent. Hyg.  
Joanne Jean Jacobs, Newark  
Marilyn Schaefer Jones, Shadyside  
Susan Mathias Jones, Lockbourne  
Wesley Allan Jones, Lockbourne  
Velko Kapetanov, East Detroit  
Barbara Stimmel Keckley, Hebron  
Sandra Brady Kegley, Mt. Gilead  
Ellen Nowell Keys, Columbus  
Willetta Faye King, Cleveland Heights  
Larry Alan Kiraly, Cleveland Heights  
Beatrice Frazier Klaiss, Tiffin  
Carla Manzi Klouda, Columbus  
Michael Allen Knapp, Columbus  
A.B. (Wheaton College, Illinois)  
Debra Ann Knicely, Norwich  
Jane Steffens Kontras, Columbus  
Gerald Edward Kotyuk, Cleveland  
Jack Elmer Kruse, Solon  
Carol Andras Kunk, Bexley  
Jeffrey Lynn Kuntz, Columbus  
Timothy James Laek, Galion  
Carl Richard Lavender, Jr., Cleveland  
Ruth Ellen Leese, Garfield Heights  
Kitty Yoakam Lewis, Lima  
Janis Bricker Livensparger, Columbus  
Janet Denise Long, Newark

## College of Engineering

Dean: Harold A. Bolz

Robert Douglas Lyle, Las Vegas, Nev.  
Marlene Kay Maccioli, Lexington  
Dianna Ferguson Mack, Columbus  
John Joseph Maier, Newark  
Linda Susan Mallahan, Vincent  
Rufus Lee Mayes, Cincinnati  
Sheri Ann McCallister, Mansfield  
Ruth Tootle McGlone, Clarksburg  
B.A.

Mary Kathleen McGuire, Trenton  
Robert Dwight Mead, Clayton  
Molly Anne Medaglia, Columbus  
Emily Thornburg Metz, Columbus  
Melanie Ann Meyer, Wapakoneta  
Angela Schardt Mielke, Columbus  
Lora Hanley Moore, Columbus  
Margheurita Timlin Moore, Columbus  
JoAnn Miller Morgan, Columbus  
Sharlene Elaine Morris, Loudonville  
Barbara Basnett Nichols, Columbus  
Linda Thalia Nickles, Cambridge  
Linda Lee Nye, Columbus  
James Francis O'Donnell, Cincinnati  
Lynn Robinson Ozobu, Columbus  
Shirley Leckrone Packer, Thornville  
Janet Renee Pallay, Youngstown  
John Stephen Parker, Columbus  
Alicia Lynnette Patterson, Columbus  
Pamela Suzanne Peltz, Rossford  
James Christian Pfister, Ridgeway  
Beneshia Sullivan Powell,  
Mt. Olive, N. C.

Joseph C. Ramsey, Jr., Columbus  
Pamela Morgan Recko, Columbus  
Laura Beth Reutter, Willoughby  
Joe Earl Ridgeway, Lancaster  
Thomas Michael Rizzo, Marion  
Corene Ann Robinson, Mansfield  
Richard Alan Robinson, Westerville  
Victoria Regina Rocca, Columbus  
Timothy Paul Rodman, Columbus  
Carmine Anthony Romano, Columbus  
B.A.

Jo Anne Rose Roscoe, Warren  
Steven Dennis Scanlon, Columbus  
Martha Rosensteel Schutte, Plain City  
Vincent J. P. Scotti, Columbus  
Stephen Randall Shaw, Coshocton  
Susan Daulbaugh Sherrick, Delphos  
Thomas Leo Smathers, Columbus  
Ronald Lee Smith, Belle Center  
\*Patrice Jo Snyder, Wooster  
Brenda Marvine Stafford, Columbus  
Paul Joseph Steiner, Bellaire  
Cheryl Elaine Stephenson, Columbus  
Norman Lyle Sterrett, Columbus  
Keith Alan St. Pierre, Reynoldsburg  
Constance Marie Strait, Columbus  
Regina Ann Sullivan, New Paris

Terese Marcia Terry, Columbus  
Frances Marie Thibo,  
North Ridgeville  
Janice Tippet, Senecaville  
Pamela Todd, Niles  
Victoria Rose Tolbert, Martins Ferry  
Karen Jane Trimmer, Columbus  
Ernestine Ruth Vian, Reynoldsburg  
Sharon Loraine Wafe, Columbus  
Jeffrey Dow Walton, Columbus  
David Gregory Ward, Fremont  
Sue Ellen Warner, Ashville  
Charles Edwin Weber, Woodsfield  
Barbara Leslie Weinberger, Akron  
Jeffrey Robert Weir, Mansfield  
Robin Lee Weldon, Columbus  
Judith Lenze Wright, Grove City  
Patricia Kay Zangardi, Columbus  
Vaseleke Zegoulakis, Mansfield

**Bachelor of Art Education and  
Bachelor of Music Education  
degree are offered jointly by the  
College of The Arts and the  
College of Education  
Candidates are listed on page 125**

### **Bachelor of Science in Aeronautical and Astronautical Engineering**

Four candidates

Izad Negahdar Djahanshahi,  
Richwood  
Robert Grove Jones, Newark  
Michael Chak-Wah Szeto,  
Kowloon, Hong Kong  
Alan Eugene Tischer, Mt. Gilead

### **Bachelor of Science in Ceramic Engineering**

One candidate

Myron Sanford Coleman, Irondale

### **Bachelor of Science in Chemical Engineering**

Five candidates

Gary Lowell Fadley, Bloomville  
Wendell Mayo, Jr., Greensburg, Pa.  
Dean Harry Paulos, Columbus  
Sami Abdelrahman Shubaily,  
Beirut, Lebanon  
James Ralph Walker, Parma Heights

### **Civil Engineer**

Two candidates

Ruben Dario Betancourt-Caicedo,  
Bogota, Colombia  
B.E. (Universidad del Cauca)  
Mahmoud Ghuloum Husain,  
Al Rumaitheyh, Kuwait  
B.S.C.E. (Tri-State College)

### **Bachelor of Science in Civil Engineering**

Four candidates

Charles Stillwell Brockhoff, Jr.,  
Pittsburgh, Pa.  
Joseph J. Fugina, Euclid  
William Kwok-Yeung Fung, Columbus  
Thomas Martin Wolden, Columbus

\* Also Bachelor of Arts, Colleges of the  
Arts and Sciences

### **Bachelor of Science in Computer and Information Science**

Six candidates

Ted Charles Allen, Trotwood  
William Bosa Emengo,  
Onitsha, Nigeria  
Richard Alan Graham, Warren  
David Joe Herrmann, Grove City  
Charles Edward Marvin, Jr.,  
Rock Creek  
David Charles Rahrig, Van Wert

### **Bachelor of Science in Electrical Engineering**

Thirteen candidates

David Joseph Angelo, Columbus  
John Edward Bacher,  
North Ridgeville  
Stephen David Boyer, Hayesville  
Michael Franklin Haw, Columbus  
Alireza Manavi, Tehran, Iran  
Ahmad Nahvi, Tehran, Iran  
Daniel Dominic Scaperoth, Columbus  
Michael Peter Sestina, Columbus  
Carl Emory Smith, Reading, Mass.  
Reza Solymani, Tehran, Iran  
Robert Forrest Strasser, Columbus  
Sawat Tantiphanwadi,  
Washington, D. C.  
Nasser Tashakori-Naveiri,  
Pahlavi, Iran

### **Bachelor of Science in Engineering Physics**

Four candidates

Glenn Robert Edgar, Sarahsville  
Dan Frank Monaco, Columbus  
Simon Edward Willard, Columbus  
Kathryn Ann Wilson, Reynoldsburg

### **Bachelor of Science in Industrial and Systems Engineering**

One candidate

Kenneth Paul Slattery, Wapakoneta

### **Bachelor of Science in Mechanical Engineering**

Ten candidates

John Czerkas, Lorain  
Lee Alfred Hagelbarger, Coshocton  
John Michael Hampey,  
Reisterstown, Md.

Thomas Edward Jacobs, Fort Loramie  
Daniel Steven Koenig, Botkins  
Douglas Craig Rock, Defiance  
David John Rolfes, Dayton  
B.S. (Xavier University)  
Jeffery Wade Sankey, Marion  
Thomas Gregory Thompson, Defiance  
Mitchell Alvin Wilder, Paulding

### **Bachelor of Science in Welding Engineering**

Two candidates

Stephen Paul Menicos, Canton  
Robert Craig Miller, Columbus

### **School of Architecture**

#### **Bachelor of Science in Architecture**

Thirteen candidates

Richard Border, Zanesville  
Anthony John Donadio, Niles  
Bruce Theo Heinlen, Bucyrus  
William Ray Logan, Zanesville  
Kenneth Richard Marko, Mayfield  
Richard Allen Miller, Olmsted Falls  
Paul Edward Petras,  
Binghamton, N. Y.  
Luis Riano, Bogota, Colombia  
Terry Alan Saylor, Worthington  
John Anthony Sudon, Youngstown  
Richard Edward Turkal, Hopedale  
Philip Walker Wise, Rochester, N. Y.  
Bruce Duane Wobser, Toledo

#### **Bachelor of Science in Landscape Architecture**

Three candidates

William Joseph Collins,  
Rockaway, N. J.  
Gregory Ward Holmes, Burton  
Dale Franklin Parsons, Wadsworth

## **College of Medicine**

Dean: Henry G. Cramblett, M.D.

### **Doctor of Medicine**

Thirteen candidates

Frederick Lynn Bean, Toledo  
Ronald Kent Bowers, Greenville  
B.S.  
Kim Edward Boyd, Millersburg  
B.A. (Eastern Mennonite College)  
Robert Hugh Crabtree,  
Cuyahoga Falls  
B.S. (University of Akron)  
Christine Elaine Eroshevich,  
Wintersville  
B.S. (Ohio Dominican College)  
William Thomas Hole, Richmond, Ind.  
A.B. (Earlham College)  
Dennis William Jahnigen, Cincinnati  
B.S. (University of Cincinnati)  
John Charles Jump, Athens  
B.S. (Ohio University)  
Sharon Marie Ondreyco, Elyria  
B.S.  
Michael Anthony Richardson,  
Strasburg  
B.S.  
Julius Peter Roll, Toledo  
B.S. (University of Toledo)  
James Michael Scheib, Dayton  
B.A.  
Robert Edmund Wenzke, Dayton  
B.S.

### **School of Allied Medical Professions**

#### **Bachelor of Science in Allied Health Professions**

Forty-seven candidates

Katie Maxine Agin, Mayfield Heights  
Gloria Denese Akins, Cincinnati  
Lynn Bechtold Allison, Cincinnati  
Patricia Jo Anderson, Cincinnati  
Nancy Lee Barnhart, Worthington  
Ellyn Jill Berger, Shaker Heights  
Brenda Jean Bocci, Cleveland  
Richard Casmer Bogden, Warren  
Cynthia Elizabeth Boller,  
Worthington  
Pamela Leedy Boothe, Bluffton  
Patricia Charyl Brown, Columbus  
Jennifer Sue Bucklew, Columbus  
Ruth Marie Crouthamel,  
Fountainville, Pa.

Alice Carol Dieter, Youngstown  
 Judith Ann Dye, Springfield  
 Terrie Bay Eberle, St. Louis, Mo.  
 Sherri Ellen Epstein,  
 University Heights  
 Linda Elaine Friedman, Cleveland  
 Martha Harriet Friedman,  
 Youngstown  
 Jean Whitehead Frydman, Reedsville  
 Shelly Lane Gammage, Euclid  
 Linda Sue Gleason, Lovington, N. M.  
 B.A. (Wayland College)  
 Katherine Louise Grady, Columbus  
 Lisa Deborah Gray, Union, N. J.  
 Lynn Thompson Handmacher,  
 Columbus  
 Joanne Marie Harper, South Euclid  
 Dory Elizabeth Holmes, Warren  
 Valerie Holmes, Cleveland  
 Kathleen Diane Keehan, Cincinnati  
 Helen Lindsay Kenzig, Canfield  
 Renee Jean Kropat, Brier Hill, N. Y.  
 Kathleen Sue Larimore, Gomer  
 Pamela Sue McMahon, Cincinnati  
 Mary Penelope Miller, Hudson  
 JoAnne Donaldson Reno, Columbus  
 Karen Lee Rothfeld,  
 Fayetteville, N. Y.  
 Debra Ann Rybski, Columbus  
 Nancy Lynn Satava, Hudson  
 Barbara Ann Schneider, Columbus  
 Deborah Lynne Seadin, Sylvania  
 Pearl Rae Seiden, Tenafly, N. J.  
 James Steele Sheahan, Columbus  
 B.S.  
 Ann Elizabeth Shultz, DeGraff  
 Betsy Ann Slavik, Coldwater  
 Jill Denise Tyler, Creston  
 Carol Lynn Urbanik,  
 West Chester, Pa.  
 William Thomas Webb, Sidney

#### **Certificate of Nurse Anesthetist**

Four candidates

Steven Kenneth Martin,  
 Lebanon, Tenn.  
 A.S. (Kettering College of  
 Medical Arts)  
 Pushpavathamma S. Ramchander,  
 Punganooru, India  
 B.Sc. in Nursing (Osmania  
 University); M.Sc. (Delhi  
 University)  
 Linda Pinto Scime, Buffalo, N. Y.  
 A.A.S. (Erie Community College)  
 JoEllen Stephans, Fort Wayne, Ind.  
 A.A.S. Nursing (Purdue  
 University)

#### **Certificate of Post Baccalaureate Medical Technologist**

Three candidates

W. David Bennett, Columbus  
 B.S.  
 Teresa Postle Myser, Westerville  
 B.S.  
 Janet Bawell Rodgers,  
 Washington, Pa.  
 B.S.

#### **Certificate of Post Baccalaureate Physical Therapist**

Nineteen candidates

Harlan Dale Arnold, Delphos  
 B.S.Ed. (Bowling Green State  
 University)  
 Marjorie Wilson Deane, Lima  
 B.A. (Miami University)  
 John Fredrick Friedrich, Canfield  
 B.S. (Ohio University)  
 Raecinda Lou Hardesty,  
 Martins Ferry  
 B.S. (Milligan College)  
 Karen Balfour Haupt, Cincinnati  
 B.A. (Case Western Reserve  
 University)  
 Diane Gail Lindsey,  
 Palm Harbor, Fla.  
 A.B. (Miami University)  
 Christina Anne McCarthy, Cincinnati  
 B.A. (Miami University)  
 Michael Gregory Mocniak, Toledo  
 B.S.Nat.Res.  
 Joseph Alfred Muccio, Warren  
 A.B. (John Carroll University)  
 Charlene Palmer, Cincinnati  
 B.S. (Tennessee State University)  
 Thomas Eugene Porter, Wintersville  
 A.B. (Ohio University)  
 Patricia Louise Radecki, Toledo  
 B.S.  
 Denis Paul Scaia, Alliance  
 B.A. (Walsh College)  
 Timothy James Seidenwand,  
 Cleveland  
 B.S.  
 Karen Jane Silsby, Euclid  
 B.S. (Muskingum College)  
 John William Vanden Bosch, Dayton  
 B.S.  
 Elisa Marie Voelker, Rocky River  
 B.A. (Seton Hill College)  
 Barbara Lynn Widener, Toledo  
 B.A. (Miami University)  
 John William Zarle, Orrville  
 B.S.Ed.

#### **School of Nursing**

##### **Bachelor of Science in Nursing**

Seventeen candidates

Elizabeth Ann Baxter, Lorain  
 Georgeann Grace Bolen,  
 West Orange, N. J.  
 Cynthia Lynne Canegali, Powell  
 Marla Doris Dennewitz, Chillicothe  
 Cheryl Patterson Dubick, Parma  
 Susan Flanagan Dzurec, Akron  
 Jeanie Mae Forte, Columbus  
 R.N. (Washington Hospital  
 School of Nursing)  
 Nancy Allen Grieselhuber,  
 Worthington  
 B.S.Ed. (University of Cincinnati);  
 M.A.  
 Rachel Mary Maher, Columbus  
 Kathleen Marie McCort, Shelby  
 R.N. (Youngstown Hospital  
 Association School of Nursing)  
 Margo Ann Muckey, Columbus  
 Karen Ann Rice, Newark  
 Debra Huner Starr, Columbus  
 Phyllis Lethel Veal, Dayton  
 Daphne Louise Walker, Solon  
 Bernadette Marie Winkler, Stow  
 Justine Allen Zimmer, Columbus

## Graduates With Honors

### Summa cum laude

Marjorie Janet Anderson, Dayton  
Patricia May Balsizer, Gibsonburg  
Vivian Louise Clark, North Ridgeville  
Marla Lakin Crockett, Columbus  
Judith Ann Dye, Springfield  
Ursula Scheufele Gaber, Columbus  
Sandra Kay Goldsmith, Galion  
Patricia Kay Hamilton, Urbana  
Ellen Nowell Keys, Columbus  
Carla Manzi Klouda, Columbus  
James Leo Kuhlman, Findlay  
Kitty Yoakam Lewis, Lima  
Angela Schardt Mielke, Columbus  
Carol Sue Myers, Columbus  
Donna Dittmar Reichert, Columbus  
Richard S. Ringler, Columbus  
Victoria Regina Rocca, Columbus  
William Martin Roeth, Piqua  
Jo Anne Rose Roscoe, Warren  
Robert Paul Rutter, Garfield  
Patrice Jo Snyder, Wooster  
Sonja Louise Trierweiler, Columbus  
Samuel Douglas Williamson,  
California, Pa.  
Thomas Russell Yocum, Steubenville

Thersa Ruth Miller, Columbus  
Barbara Basnett Nichols, Columbus  
Lynn Veronica Northrop, Westlake  
Dale Franklin Parsons, Wadsworth  
Larry Wayne Price, Grover Hill  
Rhonda Lee Richards, Columbus  
Jennifer Anne Roback, Columbus  
Martha Rosensteel Schutte,  
Plain City  
Roger Martin Senerius, Columbus  
Marilynn Ann Skoog, Hillsboro  
Paul Joseph Steiner, Bellaire  
Frances Morton Sumner, Columbus  
Catherine Lee Terrian, New Carlisle  
Carol Lynn Urbanik,  
West Chester, Pa.  
Robin Lea Weldon, Columbus  
Kathleen Rose West, Zanesville

### Cum laude and with Distinction in Chinese

Josephine Matthews Lamini,  
Columbus

### Summa cum laude and with Distinction in Dairy Science

Mary Ellen Geib, Euclid

### Cum laude and with Distinction in Interpretive Work

Erin Sue Creelius, Morton, Ill.

### Cum laude

Neil Scott Barr, Amanda  
Judith Ann Baumgardt, Columbus  
Patrick David Bednarczyk, Columbus  
David Jonathan Berger, Versailles  
Cynthia Elizabeth Boller,  
Worthington  
Pamela Leedy Boothe, Bluffton  
Patricia Lutz Brandau, North Canton  
Sandra Creasap Carver, Columbus  
Lynne Carol Casterline, Cincinnati  
Terrie Bay Eberle, St. Louis, Mo.  
Linda Elaine Friedman, Cleveland  
Shelly Lane Gammage, Euclid  
Angela Susan Garvey, Salem  
Lisa Deborah Gray, Union, N. J.  
JoAnne Marie Harper, South Euclid  
Brent Alan Hochradel, Toledo  
Thomas Edward Jacobs,  
Fort Loramie  
Sandra Brady Kegley, Mt. Gilead  
Gary Allen Kenton, Sidney  
David Albert King, Dayton  
Thomas Wesley Kramer, Springfield  
Shirley Willis Maase, Columbus  
Linda Sue Mallahan, Vincent  
Pamela Sue McMahon, Cincinnati

### With Distinction in Economics

Sharon Lee Knowles, Medina

### With Distinction in History

Paul Lindsay Criswell,  
Bethel Park, Pa.

### With Distinction in Horticulture

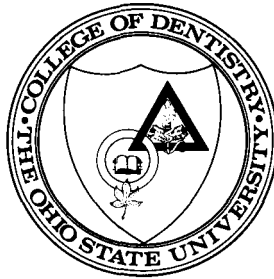
Jean Gherky Killhour, Devon, Pa.

### With Distinction in Linguistics

Richard M. Alderson, III, Columbus

# Commencement

September 19, 1975 7:30 p.m.  
Mershon Auditorium



The Ohio State University  
College of Dentistry

A Special Doctoral Convocation  
Honoring  
The Class of 1975  
College of Dentistry  
The Ohio State University  
An Occasion for the Recognition of Excellence  
Dean Charles L. Howell, Presiding

## 1975 Graduates

---

- Carl Michael Allen  
Wadsworth
- Ronnie Lee Anderson  
Amsterdam, B.A., Kent State  
University
- James Cloran Arnold  
Copley, B.S., Kentucky Wesleyan  
College
- Bruce George Atkinson  
Lima
- Christopher David Avery  
Granville, B.A., Miami University
- Michael Douglas Babics  
Canton, B.S.I.M., University of  
Cincinnati
- Steven Mark Barickman  
Belpre
- Rick C. Bell  
Lexington, B.S., The Ohio State  
University
- Charles Edwin Berner  
Cleveland, B.A., Kent State  
University
- Chris Alan Biddle  
Canton
- John Michael Billy  
Barberton
- Raymond C. Blackford  
Toledo, B.S., University of Toledo
- Thomas Harry Boreman  
Ashland, B.A., The Ohio State  
University
- Phillip Wayne Bracken  
Rocky River, B.S., Bowling Green  
State University
- Scott Kent Brady  
Toledo
- Gary Powell Brunk  
Lima
- Algirdas V. Budrys  
Willoughby
- John Edward Buzzelli  
Cleveland, B.S., The Ohio State  
University
- William J. Carroll Jr.  
Toledo, B.S., University of Toledo
- Edward Stephen Chapman  
Columbus, B.A., The Ohio State  
University
- John Arthur Cheek  
Columbus, B.S., The Ohio State  
University
- Thomas Monroe Clark  
Upper Arlington
- Michael Scott Connor  
Columbus, B.S., The Ohio State  
University
- David Paul Craig  
Cincinnati
- David Thatcher Crandell  
Sylvania
- Paul Cameron Davis  
Rocky River, B.A., Wittenberg  
University
- Edward J. Deye  
Blue Ash, B.A., Athenaeum of Ohio
- Charles Randall Doan  
Barnesville, B.S., The Ohio State  
University
- Dennis Richard Dotson  
Wyoming, B.S., The Ohio State  
University
- Robert John Earney  
Millersburg, B.S., Ashland College
- David Michael Eibling  
Columbus, B.S., The Ohio State  
University
- David Gray Eifert  
Delaware, B.A., Miami University
- Katherine Anne Elsner  
University Heights
- David Paul Ember  
Toledo, B.S., University of Toledo
- John Leo Emmenecker  
Toledo, B.S., University of Toledo
- Sheldon Estreicher  
Cleveland, B.A., Case Western  
Reserve University
- David Charles Etter  
Dayton, B.A., Johns Hopkins  
University
- Douglas John Fatica  
Lyndhurst, B.S., Xavier University
- John David Flack  
Maumee, B.A., Ohio Wesleyan  
University
- Charles Lawrence Foehl  
Dayton, B.A., Miami University
- Robert Scott Foltz  
Canton, B.S., Ashland College
- James Andrew Fraser  
Steubenville, B.S., Marietta College
- John Gaillard Fuller  
Marion, B.S., The Ohio State  
University
- Philip Edward Gallagher  
Kettering, B.S., Ohio University
- James Michael Gentile  
Struthers, B.S., The Ohio State  
University
- Stephen Patrick Gilmore  
Circleville, B.S., Ohio University
- Eugene Albert Goldschmidt  
Cincinnati, B.S., Eastern Kentucky  
University
- James Christian Grant  
Cleveland, B.S., Bowling Green  
State University
- Danny Claude Griffith  
Belpre, B.S., The Ohio State  
University
- Gary Wayne Guren  
Canton, B.S., The Ohio State  
University
- Daniel Lee Hannahs  
Barnesville, B.A., West Virginia  
University
- Gary Lynn Hardin  
Dayton
- John James Harrington  
Worthington



Frederick Thomas Hatch  
 Parma

Gary William Hawes  
 Cuyahoga Falls, B.A., Case Western Reserve University

Willard Lee Hays  
 Upper Arlington, B.A., Ohio Wesleyan University

Lowell Barton Heck  
 Fairborn

David Edward Heisel  
 Columbus, B.S., The Ohio State University

Larry William Heitkamp  
 Ft. Recovery, B.S., The Ohio State University

Jerome Carol Helmers Jr.  
 Hamilton, B.S., Xavier University

Sharon Muko Henderson  
 Elyria, B.S., The Ohio State University

Mitchell Ingram Henn  
 Geneva, B.A., Case Western Reserve University

Douglas Eugene Hill  
 Dayton, B.A., The Ohio State University

James Huet Hitchcock  
 Columbia Station, B.S., The Ohio State University

Gary Lee Holbein  
 North Baltimore, B.S., University of Cincinnati

Thomas James Holtmann  
 Cincinnati

William Theodore Hoskins  
 Cincinnati, B.S., University of Cincinnati

Edward Charles Hotz  
 Marion, B.A., St. Louis University

Dennis Robert Huebner  
 Sylvania, B.S., Bowling Green State University

William D. Ihrig  
 Ashland, B.A., Hillsdale College

Sam S. Jaffe  
 South Euclid

Parker McBride Jarvis  
 Columbus

Jeffrey Louis Jay  
 Canton, B.S., The Ohio State University

Ilmars Kalnins  
 Bucyrus, B.S., Case Western Reserve University

Fredric Andrew Kaufman  
 Columbus, B.A., Indiana University

Stanley Frank Kear  
 Mansfield, B.A., Case Western Reserve University

William John Kibbey  
 Toledo, B.S., The Ohio State University

Kevin Joseph Kramer  
 Maple Heights, B.A., Providence College

Larry Philip Kravitz  
 Beachwood, B.S., University of Miami, Florida

Kevin Michael Kreider  
 Ashland

Fredrick Carl Krogg  
 Lancaster, B.S., University of Dayton

Frederick Clyde Kruse  
 Genoa, B.S., University of Toledo

Gary T. Kutsko  
 Youngstown

Michael Jay Lehmilller  
 North Industry, B.A., Kent State University, M.S., The Ohio State University

Nicholas Jay Levering  
 Piqua, B.S., University of Cincinnati

Jeffrey Jay Levin  
 Akron, B.S., The Ohio State University

Steven Robert Lewis  
 Cincinnati, B.S., Bowling Green State University

D. Mark Livezey  
 Mantua

Mark Allen Logeman  
 Cincinnati, B.S., University of Cincinnati

Cheryl Lee Long  
 Urbana, B.S., The Ohio State University

Robert Edwin Lowery  
 Akron, B.S., University of Akron

David Richard Marker  
 Toledo

Gordon Wayne Marsh II  
 Kent, B.S., Brigham Young University

Owen Bruce Martin  
 Portsmouth

Stephen William Martinkovic  
 Hamilton, B.S., University of Dayton

Ronald Hisashi Matsui  
 Columbus, B.A., Ohio Wesleyan

Joseph Paul Mayer Jr.  
 Cincinnati, B.S., University of Cincinnati

John Albert McGuire  
 Warren, B.S., The Ohio State University

John Steven McLaughlin  
 Cleveland, B.S., Cleveland State University

James Michael McNamara  
 Parma Heights, B.A., The Ohio State University

Timothy Joseph Merrill  
 Columbus

David James Messick  
 Newark, B.A., Washington and Jefferson College

Glen Richard Meyer  
 Cincinnati, B.S., University of Cincinnati

John Thomas Michaels  
 Cleveland, B.S., Boston College

Francis Patrick Miller  
 Cincinnati, B.S., University of Detroit

John Gerald Murphy  
 Parma, B.A., The Ohio State University

David Lee Nelson  
 Wintersville, B.S., The Ohio State University

Richard Dale Nichols  
 Mansfield, B.S., Ohio University

Robert Albert Nist  
Eastlake, B.S., The Ohio State  
University

Ernest Fred Obrock  
Cleveland, B.S., The Ohio State  
University

Robert Randall Ogg  
Worthington, B.G.S., Ohio  
University

Noel Philip Patton  
Kettering, B.S., University of  
Cincinnati

William Douglas Patton  
Dayton, B.A., The Ohio State  
University

James David Petricone  
Cincinnati

James Leland Phipps  
Toledo

Mark David Pierce  
North Olmsted

James Scribner Pillsbury  
Columbus, B.S., The Ohio State  
University

Robert Malcolm Ponsky  
Cleveland, B.A., Syracuse  
University

Edward Harold Pugh  
Youngstown, B.S., The Ohio State  
University

Thomas Francis Rogers  
Garfield Heights, B.S., Ohio  
University

Steve Alan Sato  
Centerville

Donald Thomas Sauter  
Lyndhurst

Thomas John Sayer  
Kettering

Jeffrey Allen Schmunk  
Mansfield

Leonard Charles Sedon  
Canton, B.A., Kent State  
University

Frank Andrew Selega  
Akron, B.S., University of Dayton

Lance Paul Senn  
Columbus

Terrance Allan Sheehy  
Vermilion, B.S., University of  
Arizona

William David Slonaker  
Westerville, B.S., Ohio University

Dale James Smith  
Cleveland, B.S., The Ohio State  
University

Jeffrey Carl Smith  
Cuyahoga Falls

R. Gregory Smith  
Columbus, B.A., The Ohio State  
University

Richard Lee Spuller  
North Creek, B.A., Miami  
University

David Lee Stackhouse  
Fairborn

Joseph Stephen Stanko  
Marion, B.A., St. Louis University

Dale Craig Stefanek  
Brooklyn, B.S., Urbana College

Robert Benjamin Stevenson III  
Columbus, B.S., University of  
Miami, Florida

Allen Michael Stojkovic  
Venice, Calif., B.S., The Ohio State  
University

Charles Robert Talbott  
Columbus, B.S., The Ohio State  
University

Scott Frederick Tanner  
Trotwood, B.S., Indiana University

Clayborn C. Taylor  
Ashville, B.S., The Ohio State  
University

David Ian Underwood  
Canton, B.S., Baldwin-Wallace  
College

Dwaine Edward Valentine  
Dayton, B.S., University of  
Cincinnati

David Alec Waldron  
Cuyahoga Falls, B.S., The Ohio  
State University

Steven Echols Watts  
Euclid, B.S., The Ohio State  
University

Gregory Lee Weaver  
Canton, B.A., College of Wooster

James Richard Weber  
Cincinnati, B.S., Xavier University

Jeffrey Scott Weil  
Shaker Heights, B.A., Indiana  
University

Philip Alden Weiser  
Columbus, B.A., The Ohio State  
University

James Maurice Wensink  
Monroeville

Michael Thomas Westendorf  
Dayton, B.S., The Ohio State  
University

David Alan Weston  
Columbus, B.S., The Ohio State  
University

Charles Edgar Wheeler  
Caldwell, B.S., The Ohio State  
University

Ralph Michael Whitaker  
Glouster

William Jacob Wintersteen  
Dayton, B.S., University of  
Cincinnati

Edward John Wnek  
Tiltsville, B.S., Ohio University

Robert Carl Wunderle  
Brooklyn, B.S., The Ohio State  
University

Kenneth Allen Wyneski  
Lorain, B.S., John Carroll University

Thomas Francis Yash  
Poland

Stevan Richard Zivick  
Tallmadge, B.S., University of  
Akron

William John Zucker  
Cleveland, B.S., Xavier University

College of Dentistry  
The Ohio State University

SPECIAL COMMENCEMENT EXERCISES 1975

Graduates with Honors

*Summa Cum Laude*

Carl M. Allen  
James C. Arnold  
Mitchell I. Henn  
Douglas E. Hill  
Frederick C. Kruse

*Cum Laude*

John A. Cheek  
Charles R. Doan  
James A. Fraser  
Thomas J. Holtmann  
Larry P. Kravitz  
Jeffrey J. Levin  
Glen R. Meyer  
Jeffrey A. Schmunk  
Richard L. Spuller  
James M. Wensink  
William J. Wintersteen  
Robert C. Wunderle

Page 140 Blank

THE OHIO STATE UNIVERSITY  
OFFICIAL PROCEEDINGS OF THE  
ONE THOUSAND ONE HUNDRED AND TENTH MEETING  
OF THE BOARD OF TRUSTEES

Columbus, Ohio, September 5, 1975

The Board of Trustees met at its regular monthly meeting on Friday, September 5, 1975, at The Ohio State University Fawcett Center for Tomorrow, Columbus, Ohio, pursuant to adjournment.

Present: John H. Dunlap, Chairman, William C. Safford, M. Merle Harrod, John L. Gushman, Patricia D. James, Chester Devenow, Warren J. Smith, and John D. Jacob.

\* \* \*

Minutes of the last meeting were approved.

\* \* \*

September 5, 1975 meeting, Board of Trustees

RESOLUTIONS IN MEMORIAM

President Enarson reported to the Board the deaths of George L. Brown, County Extension Agent Emeritus in the Cooperative Extension Service; Ernest A. Drake, County Extension Agent Emeritus in the Cooperative Extension Service; and Jay P. Slesman, Professor Emeritus in the Cooperative Extension Service. In accordance with the instructions of the Board of Trustees, copies of the following resolutions expressing on behalf of the University the sorrow and sympathy of the Board will be furnished the families of the deceased.

A. George L. Brown

The Board of Trustees of The Ohio State University expresses its sorrow at the death on August 19, 1975, of George L. Brown, County Extension Agent Emeritus in the Cooperative Extension Service.

Mr. Brown was born October 17, 1895, in New Lexington, Ohio. He attended New Lexington High School, graduating in 1913. He enrolled in the College of Agriculture at The Ohio State University and received his Bachelor of Science in Agriculture degree in 1917. From 1917 to 1934 he operated a farm in Perry County, Ohio. In 1934 he joined the faculty of The Ohio State University as County Agricultural Agent serving for a few months in Morrow County then 12 years in Noble County prior to moving to Vinton County in 1946. Graduate education was undertaken at The Ohio State University, Colorado State College and Oregon State College.

Mr. Brown retired December 31, 1960, culminating over 26 years of dedicated service to the citizens of Ohio. Throughout his career he was a dedicated and highly respected agricultural editor, particularly in Vinton and Noble Counties. He was known and respected by his peers on the Extension faculty throughout the state. His quiet and effective leadership and contributions to the agriculture and forestry interests of Vinton County and the State of Ohio are well remembered.

On behalf of the University, the Board of Trustees expresses to the family of Mr. Brown its deepest sympathy. It was directed that this resolution be inscribed in the minutes of the Board of Trustees and that a copy be tendered to Mrs. Brown as sincere appreciation of the Board's realization of the loss the family, the University and his many friends and associates have sustained.

B. Ernest A. Drake

The Board of Trustees of The Ohio State University expresses its sorrow at the death on August 10, 1975, of Ernest A. Drake, County Extension Agent Emeritus in the Cooperative Extension Service.

Mr. Drake was born November 16, 1893, in Pennsville, Ohio. He attended Pennsville High School, graduating in 1911. He was actively engaged in farming through 1916. From 1917 to 1919 he served in the United States

September 5, 1975 meeting, Board of Trustees

RESOLUTIONS IN MEMORIAM (continued)

B. Ernest A. Drake (continued)

Army both in this country and in Europe. Following a short period of commercial employment in 1920 he enrolled in the College of Agriculture at The Ohio State University and received his Bachelor of Science degree with a major in agricultural education in 1925. From 1925 to 1928 he was employed as County Agricultural Agent in Hampshire County, West Virginia. In 1928 he joined the faculty of The Ohio State University as a County Agricultural Agent serving for a few months in Pickaway County prior to appointment in Greene County on November 1, 1928. Graduate education was undertaken in 1939 and 1940 at Cornell University toward a Master of Science degree.

Mr. Drake retired January 31, 1960, culminating over 31 years of dedicated service to the citizens of Greene County. Throughout his career he was a dedicated and highly respected agricultural educator and leader of Greene County. He was well known and respected by his peers on the Extension faculty throughout the state. His quiet but effective leadership and outstanding contributions to the agricultural industry of Greene County and the State of Ohio will long be remembered.

On behalf of the University community, the Board of Trustees expresses to the family of Mr. Drake its deepest sympathy. It was directed that this resolution be inscribed in the minutes of the Board of Trustees and that a copy be tendered to Mrs. Drake as sincere appreciation of the Board's realization of the loss to the family, the University, and his many friends and associates.

C. Jay P. Slesman

The Board of Trustees of The Ohio State University expresses its sorrow at the death on July 15, 1975, of Jay P. Slesman, Professor Emeritus, Cooperative Extension Service.

Dr. Slesman was born September 16, 1904, in Scottdale, Pennsylvania. He moved to Ada, Ohio, at an early age and earned an A.B. degree in biology from Ohio Northern University in 1926. He completed his M.A. degree in 1927 and Ph.D. degree in 1929 at The Ohio State University. He spent his entire career at the Ohio Agricultural Research and Development Center specializing in vegetable crop insects and their control. He was assistant entomologist from 1929 to 1949, and associate professor from 1949 to 1953, before being named a professor in 1953.

Dr. Slesman retired June 30, 1975, culminating over forty-five years of public employment and service to the people of Ohio. Throughout his career, he earned and enjoyed the admiration and respect of people throughout the State of Ohio. In 1962 he was named "Man of the Year in Ohio Agriculture" by the Ohio Pesticide Institute, now known as the Ohio Pesticide Education Association. Last year, OPEA honored him by establishing a continuing scholarship in his name.

RESOLUTIONS IN MEMORIAM (continued)

C. Jay P. Slesman (continued)

In addition to his research activities, Dr. Slesman served fifteen years as editor of OPEA's publication "Ohio Pesticide News." He was an active member of the Entomological Society of America, the American Potato Association, the Ohio Pesticide Education Association, Sigma Xi and Gamma Alpha Fraternities. His research work in biology and the control of vegetable insects and the resistance of vegetable crop plants to insect attack was widely recognized.

On behalf of the University community, the Board of Trustees expresses to the family its deepest sympathy. It was directed that this resolution be inscribed in the minutes of the Board of Trustees and that a copy be tendered to Mrs. Slesman, as sincere appreciation of the Board's realization of the loss which the family, the University, his many friends and associates, have sustained.

\*

\*

\*

President Enarson presented the following recommendations:

I. GENERAL RECOMMENDATIONS

A. Revision of Rule 21.03 of Rules of the University Faculty

President Enarson recommended that Section 1 of Rule 21.03, Appointments and Continuing Employment; Conditions Upon, be amended to read as follows:

Section 1. Upon nomination and recommendation by the president of the University, the Board of Trustees shall make all appointments to all positions within the University and approve the salaries therefor. Such appointments, for a period not to exceed four academic quarters, shall be evidenced by a notice of appointment signed by the Secretary of the Board and sent to the appointee for acceptance. The notice of appointment form is a budgetary convenience containing some detail relating to the employment relationship during the term of the appointment, such as salary, title, and the quarters during which service is to be rendered. The form is used for appointment to many and varied kinds of service, including appointment to positions which may be tenure accruing and others which are not. Neither the issuance of the notice nor its contents is intended to reflect any commitment by the Trustees as to the recipient's tenure or as to renewal of appointment.

(The balance of the rule is to be unchanged.)

Upon motion of Mr. Gushman, seconded by Mr. Harrod, the Board of Trustees approved the foregoing recommendation by unanimous voice vote.



September 5, 1975 meeting, Board of Trustees

I. GENERAL RECOMMENDATIONS (continued)

B. Revised Edition of Booklet, Faculty Appointments, Promotions, and Tenure

RESOLVED, that the policies, including procedures and guidelines relating to faculty appointments, promotions and tenure contained in the booklet, Faculty Appointments, Promotions and Tenure attached hereto and included in the minutes of this meeting (see pages 213-227), revising the statement adopted by the Board of Trustees on July 13, 1962, be hereby ratified, approved and adopted.

Upon motion of Mr. Safford, seconded by Mr. Harrod, the Board of Trustees approved the foregoing recommendation by unanimous voice vote.

C. Revisions of Bylaws of the Board of Trustees and Rules of the University Faculty

In establishing the new Office of Personnel Services which this Board enacted on July 11, 1975, upon my recommendation, it now becomes necessary to realign the Bylaws of the Board of Trustees and the Rules of the University Faculty to reflect this change. These proposed revisions are attached. (See Sections 7 and 14 of the Bylaws of the Board of Trustees and Rules 11.1102 and 11.1109 of Rules of the University Faculty.)

It was recommended that the changes attached be approved.

Upon motion of Mr. Harrod, seconded by Mr. Safford, the Board of Trustees approved the foregoing recommendation by unanimous voice vote.

ARTICLE III

Administration of the University

Section 7. Vice President for Business and Administration.

The major area of responsibility and authority of the Vice President for Business and Administration shall be that of the administration of the University operations. Without limiting the generality of the foregoing, the Vice President for Business and Administration shall, under the direction of the President and with the approval of the Board of Trustees, be responsible and have the requisite authority for: the conduct and evaluation of all business and administrative activities and procedures, including management improvement programs; contracts administration and food services administration; financial and business management; the development, allocation, utilization, and maintenance of the physical facilities; traffic and parking; the administration of the Office of Public Safety; administration of Occupational Safety and Health Act, University Systems, Fiscal Affairs, the Treasurer of the University, University Admissions, Registration, and Records; and as a deputy of the President of the University, be responsible for the coordination of all matters administratively assigned to the other Vice Presidents which relate to the business and administrative areas of the University.

I. GENERAL RECOMMENDATIONS (continued)

C. Revisions of Bylaws of the Board of Trustees  
and Rules of the University Faculty (continued)

Section 14. Vice President for Personnel Services.

The major area of responsibility and authority of the Vice President for Personnel Services shall be that of the administration of the personnel services of the University. Without limiting the generality of the foregoing, the Vice President for Personnel Services shall, under the direction of the President and with the approval of the Board of Trustees, be responsible and have the requisite authority for: Benefits Administration which includes the various insurance programs for the faculty, staff, and students; professional employment services; staff employment services; employee relations, including the labor unions; personnel research and information; wage and salary administration; payroll; the Office for the Physically Impaired; the Child Care Program. In addition to the above the Vice President for Personnel Services along with other members of the staff designated by the President, shall provide such assistance as may be deemed appropriate for the implementation of programs related to Affirmative Action at the University.

10.00. ADMINISTRATION

11.00. Administration of The Ohio State University

11.1102. Vice President for Business and Administration.\*

Section 1. The Vice President for Business and Administration shall be the executive head of the Office of Business and Administration.

Section 2. The major area of responsibility and authority of the Vice President for Business and Administration shall be that of the administration of the University operations. Without limiting the generality of the foregoing, the Vice President for Business and Administration shall, under the direction of the President and with the approval of the Board of Trustees, be responsible and have the requisite authority for: the conduct and evaluation of all business and administrative activities and procedures, including management improvement programs; contracts administration and food services administration; financial and business management; the development, allocation, utilization, and maintenance of the physical facilities; traffic and parking; the administration of the Office of Public Safety; administration of Occupational Safety and Health Act, University Systems, Fiscal Affairs, the Treasurer of the University, University Admissions, Registration, and Records; and as a deputy of the President of the University, be responsible for the coordination of all matters administratively assigned to the other Vice Presidents which relate to the business and administrative areas of the University.

---

\*Rule initiated by Board of Trustees.

September 5, 1975 meeting, Board of Trustees

I. GENERAL RECOMMENDATIONS (continued)

C. Revisions of Bylaws of the Board of Trustees  
and Rules of the University Faculty (continued)

11.1102. Vice President for Business and Administration.\* (continued)

Section 3. The principal administrative officials of the Office of Business and Administration shall include the Assistant Vice President, Administration; Associate Vice President, Physical Facilities; Treasurer; Director, Public Safety; Assistant Vice President, Registration Services; Assistant Vice President, Business Management; Director, University Systems; Contracts Officer; Food Services Coordinator; and such other associates as may be authorized from time to time.

11.1109. Vice President for Personnel Services.\*

Section 1. The Vice President for Personnel Services shall be the executive head of the Office of Personnel Services.

Section 2. The major area of responsibility and authority of the Vice President for Personnel Services shall be that of the administration of the personnel services of the University. Without limiting the generality of the foregoing, the Vice President for Personnel Services shall, under the direction of the President and with the approval of the Board of Trustees, be responsible and have the requisite authority for: Benefits Administration which includes the various insurance programs for the faculty, staff, and students; professional employment services; staff employment services; employee relations, including the labor unions; personnel research and information; wage and salary administration; payroll; the Office for the Physically Impaired; the Child Care Program. In addition to the above the Vice President for Personnel Services along with other members of the staff designated by the President, shall provide such assistance as may be deemed appropriate for the implementation of programs related to Affirmative Action at the University.

Section 3. The principal administrative officials of the Office of Personnel Services shall include the Assistant Vice President; Director of Professional Employment Services; Director of Staff Employment Services; Director of Employee Relations; Director of Personnel Research and Information; Director of the Office of Payrolls; Manager of System Support; Director for Benefits Administration; Manager for Wage and Salary Administration; Director of the Office for the Physically Impaired; and such other associates as may be authorized from time to time.

---

\*Rule initiated by Board of Trustees.

September 5, 1975 meeting, Board of Trustees

I. GENERAL RECOMMENDATIONS (continued)

D. Rule Governing Resident and Non-Resident Student Status for Tuition Surcharge Purposes

In order to clarify the status of the non-resident student for The Ohio State University, the Attorney General of Ohio has requested the Board of Trustees to adopt a rule which would set forth the qualifications for admission as a non-resident student for the purpose of assessing fees for this University.

A. General Information

Every student who is not a resident of the State of Ohio, as defined below, is required to pay a non-resident tuition surcharge in addition to other University fees.

The student has the responsibility for keeping the Office of Registration Services informed of the factors relevant to residency status basic to appropriate fee assessment. If there is any question as to residency, the matter should be brought to the attention of that Office and passed upon prior to original or subsequent enrollment.

It is the intent of The Ohio State University in promulgating these rules to exclude from treatment as residents, as that term is applied here, those persons who are present in the State of Ohio primarily for the purpose of receiving the benefit of a state-supported education while insuring that that same benefit is conferred on all bona fide domiciliaries of this State whose permanent residence and legal citizenship is in Ohio and whose actual source of financial support is subject to Ohio taxation.

B. Definitions

1. For purposes of these rules, a resident of Ohio "for all other legal purposes" shall mean any person who maintains a 12-month place or places of residence in Ohio, who is qualified as a resident to vote in Ohio and receive state welfare benefits, and who may be subjected to tax liability under Section 5747.02 of the Revised Code: provided such person has not, within the time prescribed by these rules, declared himself or herself to be or allowed himself or herself to remain a resident of any other state or nation for any of these or other purposes.
2. "Financial support," as used in these rules, shall not include grants, scholarships, and awards from persons or entities which are not related to the recipient.

C. General Residency

The following persons shall be classified as residents of the State of Ohio for tuition surcharge purposes:

September 5, 1975 meeting, Board of Trustees

I. GENERAL RECOMMENDATIONS (continued)

D. Rule Governing Resident and Non-Resident Student Status for Tuition Surcharge Purposes (continued)

1. Dependent students, at least one of whose parents or legal guardian has been a resident of the State of Ohio for all other legal purposes for 12 consecutive months or more immediately preceding the enrollment of such student in The Ohio State University.
2. Persons who have resided in Ohio for all other legal purposes for at least 12 consecutive months immediately preceding their enrollment in The Ohio State University and who are not receiving, and have not directly or indirectly received in the preceding 12 consecutive months, financial support from persons or entities who are not residents of Ohio for all other legal purposes.
3. Persons who reside and are gainfully employed on a full-time or part-time and self-sustaining basis in Ohio and who are pursuing a part-time program of instruction. (Part-time is defined as any number of credit hours less than seven.)
4. Persons who have been reclassified as residents under provisions of Section D6 of these rules.

D. Specific Exceptions and Circumstances

1. A person on active duty status in the United States military service who is stationed and resides in Ohio and his or her dependents shall be considered residents of Ohio for these purposes.
2. A person who enters and currently remains upon active duty status in the United States military service while a resident of Ohio for all other legal purposes and his or her dependents shall be considered residents of Ohio for these purposes as long as Ohio remains the state of such person's domicile.
3. Any alien holding an immigration visa shall be considered a resident of the State of Ohio for tuition surcharge purposes in the same manner as any other student.
4. No person holding a student or other temporary visa shall be eligible for Ohio residency for tuition surcharge purposes.

September 5, 1975 meeting, Board of Trustees

I. GENERAL RECOMMENDATIONS (continued)

D. Rule Governing Resident and Non-Resident Student Status for Tuition Surcharge Purposes (continued)

5. A dependent person classified as a resident of Ohio who is enrolled in The Ohio State University when his or her parents or legal guardian remove their residency from the State of Ohio shall be considered a resident of Ohio for these purposes during continuous full-time enrollment and until his or her completion of any one academic degree program.
6. Any person once classified as a non-resident, upon the completion of 12 consecutive months of residency in Ohio for all other legal purposes, may apply to The Ohio State University for reclassification as a resident of Ohio for these purposes. Should such person present clear and convincing proof that no part of his or her financial support is or in the preceding 12 consecutive months has been provided directly or indirectly by persons or entities who are not residents of Ohio for all other legal purposes, such person shall be reclassified as a resident.

Determinations made under these rules may require the submission of all relevant information regarding the sources of a student's actual financial support.

7. Any reclassification of a person who was once classified as a non-resident for these purposes shall have prospective application only from the date of such reclassification.

E. Procedures

1. The Ohio State University provides individual students with a fair and adequate opportunity to present proof of their Ohio residency for purposes of these rules. The University may require the submission of affidavits and other documentary evidence which it may deem necessary to a full and complete determination under these rules.
2. A petition for reclassification of residency must be approved prior to the first day of classes for the quarter reclassification is to be effective.

President Enarson recommended that the non-resident rule as proposed be approved by the Board of Trustees.

Upon motion of Mr. Harrod, seconded by Mr. Safford, the Board of Trustees approved the foregoing recommendation by unanimous voice vote.

September 5, 1975 meeting, Board of Trustees

I. GENERAL RECOMMENDATIONS (continued)

E. Revised Edition of Code of Student Rights and Responsibilities

President Enarson recommended that the revised edition of Code of Student Rights and Responsibilities, effective Autumn Quarter, 1975, be approved and accepted as the official publication of the Board of Trustees.

Upon motion of Mr. Devenow, seconded by Mr. Harrod, the Board of Trustees approved the above recommendation by unanimous voice vote.

\*

\*

\*

II. PERSONNEL ACTIONS

Personnel actions since the July 11, 1975 meeting of the Board as recorded in the official "Salary Roll" of the University, include the following Appointments, Leaves of Absence Without Salary and Emeritus Titles:

A. Appointments

J. Osborn Fuller, from Director of Evening and Part-time Programs in the Office of Academic Affairs, to Acting Dean, College of The Arts, effective October 1, 1975, at a salary of \$38,808.00 per annum.

Robert G. Arns, from Professor, Department of Physics, to Associate Provost in the Office of Academic Affairs, effective September 1, 1975, at a salary of \$38,688.00 per annum.

Mac A. Stewart, from Acting Associate Dean in the University College, to Associate Dean in the University College, effective September 5, 1975, at a salary of \$22,608.00 per annum.

Brady Black, Professor (Kiplinger Chair in Public Affairs, School of Journalism), effective September 1, 1975, at a salary of \$25,080.00 per annum.

Harold H. Wolf, Professor (Charles H. Kimberly Professorship in Pharmacy), College of Pharmacy, effective September 1, 1975, at a salary of \$37,608.00 per annum.

B. Leaves of Absence Without Salary

Leo E. Bendixen, Professor, Department of Agronomy, effective December 1, 1975 through June 30, 1976, to work at the East-West Center, University of Hawaii, to develop text course materials and study new methods in plant protection for programs in agronomy at The Ohio State University.

September 5, 1975 meeting, Board of Trustees

II. PERSONNEL ACTIONS (continued)

B. Leaves of Absence Without Salary (continued)

Richard T. Garner, Professor, Department of Philosophy, effective October 1, 1975 through December 31, 1975, to accept a Visiting Professorship at the University of Illinois, Urbana, Illinois.

Tien-yi Li, Mershon Professor, Department of East Asian Languages and Literatures, effective April 1, 1976 through June 30, 1976, to complete work on several research projects in Taiwan and Hong Kong.

Reinhart F. H. Butter, Associate Professor, Department of Industrial Design, effective April 1, 1976 through June 30, 1976, to accept a Visiting Professorship at the Fachhochschule Darmstadt, Fachbereich Gestaltung, West Germany.

DeLayne R. Hudspeth, Associate Professor, College of Pharmacy, effective July 1, 1975 through March 31, 1976, to direct instructional development program in Tehran, Iran.

Emmanuel O. Odita, Associate Professor, Division of History of Art, effective October 1, 1975 through September 30, 1976, to set up a Department of African Art History at the University of Ghana.

David G. Francis, Assistant Professor, Department of Agricultural Economics and Rural Sociology, effective October 1, 1975 through June 30, 1976, to continue his assignment now funded by National Science Foundation grants.

Robert Kraut, Assistant Professor, Department of Philosophy, effective October 1, 1975 through December 31, 1975, to accept a Visiting Assistant Professorship at the University of Pittsburgh, Pittsburgh, Pennsylvania.

Michael Lin, Assistant Professor, Department of Mathematics, effective January 1, 1976 through June 30, 1976, to spend Spring and Summer Quarters of 1976 at Ben-Gurion University, Beersheba, Israel.

C. Emeritus Titles

Austin B. Ezzell, Cooperative Extension Service, with the title Professor Emeritus, effective April 1, 1975.

.



September 5, 1975 meeting, Board of Trustees

II. PERSONNEL ACTIONS (continued)

C. Emeritus Titles (continued)

Doris Rice Tupps, Cooperative Extension Service, with the title Assistant Professor Emeritus, effective May 1, 1975.

Enid Swarner Moore, Cooperative Extension Service, with the title Instructor Emeritus, effective May 1, 1975.

President Enarson recommended that the Appointments, Leaves of Absence Without Salary, Emeritus Titles, and the personnel budget actions as recorded in the "Salary Roll" of the University be approved.

Upon motion of Mr. Safford, seconded by Mr. Gushman, the Board of Trustees approved the foregoing recommendation by unanimous roll call vote, and the Secretary was instructed to file these changes in the "Salary Roll," an official document of the University.

\*

\*

\*

III. REPORT OF RESEARCH CONTRACTS, GRANTS, GIFTS, AND AGREEMENTS

ANNUAL SUMMARY

(July 1, 1974 - June 30, 1975)

OFFICE OF BUSINESS AND ADMINISTRATION

	Number of Projects	Level of Support	% Change from 1973-74
<u>Federal</u>			
Student Programs	33	\$ 9,583,606.00	49
Training Grants	<u>132</u>	<u>10,021,060.62</u>	<u>(42)</u>
Total - Federal	165	\$19,604,666.62	(18)
<u>State of Ohio</u>	47	2,917,797.25	(16)
<u>Industrial and Other</u>	<u>48</u>	<u>1,700,535.01</u>	<u>16</u>
Totals	260	\$24,222,998.88	(16)

September 5, 1975 meeting, Board of Trustees

III. REPORT OF RESEARCH CONTRACTS, GRANTS, GIFTS, AND AGREEMENTS  
(continued)

THE OHIO STATE UNIVERSITY RESEARCH FOUNDATION

	Number of Projects	Level of Support	% Change from 1973-74
<u>Federal</u>			
U. S. Atomic Energy Commission*	9	\$ 549,472.00	(6)
National Aeronautics and Space Administration	13	376,159.31	(49)
National Science Foundation	75	2,318,090.00	(7)
Department of Defense	77	2,830,051.00	7
Health, Education, and Welfare	168	12,340,054.00	48
Other Federal	86	3,900,191.50	33
Total Federal	428	\$22,314,017.81	26
<u>State of Ohio</u>	23	525,551.00	11
<u>Industrial, Subcontracts, and Other Non-Federal</u>			
	133	2,857,263.78	(54)
Totals	584	\$25,696,832.59	5

\*Includes two awards from the U. S. Energy Research and Development Administration (ERDA).

ENGINEERING EXPERIMENT STATION

	Number of Projects	Level of Support	% Change from 1973-74
<u>Federal</u>	23	\$ 202,383.00	72
<u>State</u>	23	394,842.00	(36)
<u>Industrial and Other</u>	337	776,464.00	(45)
Totals	383	\$ 1,373,689.00	(36)

September 5, 1975 meeting, Board of Trustees

III. REPORT OF RESEARCH CONTRACTS, GRANTS, GIFTS, AND AGREEMENTS  
(continued)

THE OHIO STATE UNIVERSITY DEVELOPMENT FUND

	Number of Donors	Level of Support	% Change from 1973-74
<u>Annual Giving Group</u>	<u>29,864</u>	<u>\$ 734,888.09</u>	<u>3</u>
<u>Major Resources Group</u>			
Deferred Gifts	34	968,769.38	N.A.
Major Individual Gifts	724	1,382,051.73	N.A.
Corporate Gifts	647	1,225,847.89	N.A.
Foundation and Non- Profit Organization Gifts	<u>564</u>	<u>2,654,410.08</u>	<u>N.A.</u>
Total	<u>1,969</u>	<u>\$ 6,231,079.08</u>	<u>18</u>
Totals	31,833	\$ 6,965,967.17	16

September 5, 1975 meeting, Board of Trustees

III. REPORT OF RESEARCH CONTRACTS, GRANTS, GIFTS, AND AGREEMENTS  
(continued)

President Enarson recommended that the following contracts and grants negotiated and monies received for the months of June and July be accepted.

Summary for June 1975

	No. of Projects	Support Level
Office of Business and Administration	62	\$ 8,920,012.90
The Ohio State University Research Foundation	90	4,590,639.00
The Engineering Experiment Station	7	<u>139,576.00</u>
		\$13,650,227.90
The Ohio State University Develop- ment Fund	4,330 Donors	\$ 490,674.24

Summary for July 1975

	No. of Projects	Support Level
Office of Business and Administration	19	\$ 1,834,555.07
The Ohio State University Research Foundation	46	2,199,767.50
The Engineering Experiment Station	7	<u>139,576.00</u>
		\$ 4,173,898.57
The Ohio State University Develop- ment Fund	2,604 Donors	405,643.93

A detailed listing of the items in each section is shown on the following pages.

Upon motion of Mr. Devenow, seconded by Dr. Jacob, the research agreements between The Ohio State University and The Ohio State University Research Foundation for the contracts and grants reported herein, and the acceptance of the report from the Office of Business and Administration and The Ohio State University Development Fund, including the establishment of named funds, were approved by unanimous voice vote.

September 5, 1975 meeting, Board of Trustees

III. REPORT OF RESEARCH CONTRACTS, GRANTS, GIFTS, AND AGREEMENTS  
(continued)

A. Office of Business and Administration

1. Federal Contracts/Grants

- a. \$1,483,280.00 from Department of Health, Education, and Welfare, Public Health Service, Bureau of Health Manpower, Health Resources Administration, Bethesda, Maryland, for Health Professions Capitation Grant Program, under the direction of College of Medicine, for period July 1, 1975 through June 30, 1976. (Grant No. 05S000031-10)
- b. \$1,131,662.00 from Department of Health, Education, and Welfare, Public Health Service, Bureau of Health Manpower, Health Resources Administration, Bethesda, Maryland, for Health Professions Capitation Grant Program, under the direction of College of Dentistry, for period July 1, 1975 through June 30, 1976. (Grant No. 05S000047-10)
- c. \$606,874.00 from Department of Health, Education, and Welfare, Public Health Service, Grants Management Branch, Bethesda, Maryland, for Mental Retardation Training, under the direction of Nisonger Center for Mental Retardation, for period July 1, 1975 through June 30, 1976. (Project I. D. No. MCT-000922-09-0)
- d. \$591,028.00 from Department of Health, Education, and Welfare, Office of Education, Washington, D. C., for EPDA Plan of Action, State of Ohio, under the direction of Center for Vocational Education, for period July 1, 1975 through August 31, 1976. (Grant No. G05-75-00045)
- e. \$571,734.00 from Department of Health, Education, and Welfare, Public Health Service, Bureau of Health Manpower, Health Resources Administration, Bethesda, Maryland, for Health Professions Capitation Grant Program, under the direction of College of Veterinary Medicine, for period July 1, 1975 through June 30, 1976. (Grant No. 05S000064-06)
- f. \$428,000.00 from Department of Health, Education, and Welfare, Grant and Procurement Management Division, Occupational and Adult Education Branch, Washington, D. C., for A State Management Information Needs Study and a National Needs Assessment of Career Guidance, under the direction of Center for Vocational Education, for period July 1, 1975 through September 30, 1976. (Contract No. 300750363)
- g. \$263,315.00 from Department of Health, Education, and Welfare, Public Health Service, Bureau of Health Manpower, Health Resources Administration, Bethesda, Maryland, for Health Professions Capitation Grant Program, under the direction of College of Pharmacy, for period July 1, 1975 through June 30, 1976. (Grant No. 05S000056-06)

September 5, 1975 meeting, Board of Trustees

III. REPORT OF RESEARCH CONTRACTS, GRANTS, GIFTS, AND AGREEMENTS  
(continued)

A. Office of Business and Administration (continued)

1. Federal Contracts/Grants (continued)

- h. \$186,931.00 from Department of Health, Education, and Welfare, Office of Education, Grant and Procurement Management Division, Washington, D. C., for design of a system, with alternate approaches for identifying, evaluating, and disseminating curriculum material developed by the Department of Defense for utilization of the nation's civilian education programs through linkage with existing national, state, and local systems, under the direction of Center for Vocational Education, for period June 30, 1975 through June 29, 1976. (Contract No. 300750276)
- i. \$170,905.00 from Department of Health, Education, and Welfare, Public Health Service, Chicago, Illinois, for Health Professions Special Projects, under the direction of College of Dentistry, for period July 1, 1975 through June 30, 1976. (Project I. D. No. 05D000620-01)
- j. \$152,378.00 from Department of Health, Education, and Welfare, Public Health Service, Division of Nursing, Bethesda, Maryland, for Professional Nurse Traineeship - Long Term - Training Grant, under the direction of School of Nursing, for period August 1, 1975 through July 31, 1976. (Grant No. 5 A11 NU00029-18)
- k. \$146,410.00 from Department of Health, Education, and Welfare, Office of Human Development, Rehabilitation Services Administration, Chicago, Illinois, for Traineeships in Rehabilitation Medicine, under the direction of Department of Physical Medicine, for period July 1, 1975 through June 30, 1976. (Grant No. 44-P-25122/5-14)
- l. \$124,777.00 from Department of Health, Education, and Welfare, Public Health Service, Bureau of Health Manpower, Health Resources Administration, Bethesda, Maryland, for Health Professions Capitation Grant Program, under the direction of College of Optometry, for period July 1, 1975 through June 30, 1976. (Grant No. 05S000068-10)
- m. \$124,396.00 from Department of Health, Education, and Welfare, Office of Rehabilitation Services, Region V, OHD, Chicago, Illinois, for Broadening the Concept of Advocacy in Habilitation, under the direction of Nisonger Center for Mental Retardation, for period June 30, 1975 through June 29, 1976. (Grant No. 56-P-25582/5-01)
- n. \$112,430.00 from Department of Health, Education, and Welfare, Public Health Service, Division of Nursing, Bethesda, Maryland, for Nursing Capitation Grant Program, under the direction of School of Nursing, for period July 1, 1975 through June 30, 1976. (Grant No. 2 E04 NU01080-04)

September 5, 1975 meeting, Board of Trustees

III. REPORT OF RESEARCH CONTRACTS, GRANTS, GIFTS, AND AGREEMENTS  
(continued)

A. Office of Business and Administration (continued)

1. Federal Contracts/Grants (continued)

- o. \$102,609.00 from Department of Health, Education, and Welfare, Public Health Service, Grants and Contracts Management Branch, National Institute of Mental Health, Bethesda, Maryland, for Advanced Psychiatric - Mental Health Nursing - Training Grant, under the direction of School of Nursing, for period July 1, 1975 through June 30, 1976. (Grant No. 2 T01 MH12394-06)
- p. \$101,000.00 from Department of Health, Education, and Welfare, Office of Education, Grant and Procurement Management Division, Washington, D. C., for LAC for Slavic and East European Studies, under the direction of East European Language and Area Center, for period September 27, 1973 through June 30, 1976. (Grant No. OEG0740410, Project No. 435AH50148, Revision No. 3)
- q. \$98,000.00 from U. S. Department of Justice, Federal Prison Industries, Inc., Education Branch, Washington, D. C., for Improvement of Occupational Education in the Federal Bureau of Prisons, under the direction of Center for Vocational Education, for period June 15, 1975 through June 30, 1976. (Contract No. 1 PI 2331)
- r. \$81,811.00 from Department of Health, Education, and Welfare, Public Health Service, Grants and Contracts Management Branch, National Institute of Mental Health, Bethesda, Maryland, for Psychiatry - Basic Residency - Training Grant, under the direction of Department of Psychiatry, for period July 1, 1975 through June 30, 1976. (Grant No. 2 T01 MH08458-12)
- s. \$77,497.00 from Department of Health, Education, and Welfare, Public Health Service, Grants and Contracts Management Branch, National Institute of Mental Health, Bethesda, Maryland, for Clinical Psychology - Training Grant, under the direction of Department of Psychology, for period July 1, 1975 through June 30, 1976. (Grant No. 2 T01 MH05061-29)
- t. \$74,558.00 from Department of Health, Education, and Welfare, Social and Rehabilitation Service, Region V, Chicago, Illinois, for Comprehensive Social Work Education for the Field of Child Welfare, under the direction of School of Social Work, for period July 1, 1975 through June 30, 1976. (Grant No. 84-P-95821/5-01)
- u. \$70,448.00 from Department of Health, Education, and Welfare, Public Health Service, Chicago, Illinois, for Medical Student Field Experience and Health Manpower Outreach Training Programs, under the direction of Department of Preventive Medicine, for period July 1, 1975 through June 30, 1976. (Project I.D. No. 05H000166-04)

III. REPORT OF RESEARCH CONTRACTS, GRANTS, GIFTS, AND AGREEMENTS

(continued)

A. Office of Business and Administration (continued)

1. Federal Contracts/Grants (continued)

- v. \$64,252.00 from Department of Health, Education, and Welfare, Public Health Service, Division of Associated Health Professions, Bethesda, Maryland, for Expanding Areas in Health Services Administration, under the direction of University Hospital Administration, for period July 1, 1975 through June 30, 1976. (Grant No. 1 D04 AH01416-01)
- w. \$58,587.00 from Department of Health, Education, and Welfare, Public Health Service, National Cancer Institute, Division of Cancer Research Resources and Centers, Bethesda, Maryland, for Oncology Training Grant - Institutional National Research Service Award, under the direction of College of Medicine, for period July 1, 1975 through June 30, 1976. (Grant No. 1 T32 CA09155-01)
- x. \$48,506.00 from Department of Health, Education, and Welfare, Public Health Service, Chicago, Illinois, for Health Professions Special Projects, under the direction of College of Pharmacy, for period July 1, 1975 through June 30, 1976. (Project I. D. No. 05D000600-01)
- y. \$43,500.00 from Department of Health, Education, and Welfare, Office of Education, Grant and Procurement Management Division, Washington, D. C., for Strengthening Management Practicum Internship Component of The Ohio State University M. P. A. Program, under the direction of School of Public Administration, for period September 15, 1975 through September 14, 1976. (Grant No. G007506900)
- z. \$41,575.00 from Department of Health, Education, and Welfare, Public Health Service, Chicago, Illinois, for Health Professions Special Projects, under the direction of College of Optometry, for period July 1, 1975 through June 30, 1976. (Project I. D. No. 05D000247-02)
- aa. \$39,057.00 from Department of Health, Education, and Welfare, Public Health Service, National Heart and Lung Institute, Division of Blood Disease and Resources, Bethesda, Maryland, for Hematology - Institutional National Research Service Award, under the direction of College of Medicine, for period July 1, 1975 through June 30, 1976. (Grant No. 1 T32 HL07141-01)
- bb. \$38,200.00 from Department of Health, Education, and Welfare, Office of Education, Grant and Procurement Management Division, Washington, D. C., for National Defense Foreign Language Fellowships, under the direction of Graduate School, for period July 1, 1975 through June 30, 1976. (Grant No. G007502056, Project No. 434AH50024)



September 5, 1975 meeting, Board of Trustees

III. REPORT OF RESEARCH CONTRACTS, GRANTS, GIFTS, AND AGREEMENTS  
(continued)

A. Office of Business and Administration (continued)

1. Federal Contracts/Grants (continued)

- cc. \$37,000.00 from Department of Health, Education, and Welfare, Office of Education, Grant and Procurement Management Division, Washington, D. C., for Public Management Fellowship Program for M. P. A. Students, under the direction of School of Public Administration, for period September 15, 1975 through September 14, 1976. (Grant No. G007503943)
- dd. \$34,335.00 from Department of Health, Education, and Welfare, Public Health Service, Division of Associated Health Professions, Bethesda, Maryland, for M.S. in Occupational Therapy - Teacher Preparation - Training Grant, under the direction of School of Allied Medical Professions, for period January 1, 1976 through December 31, 1976. (Grant No. 1 A02 AH00662-01)
- ee. \$32,013.00 from Department of Health, Education, and Welfare, Office of Education, Occupational and Adult Education Branch, Grant and Procurement Management Division, Washington, D. C., for Abstracts of Instructional Materials (AIM) and Abstracts of Research Materials (ARM), under the direction of Center for Vocational Education, effective June 30, 1975. (Contract/Order No. 300-75-0141, Amendment No. 2)
- ff. \$31,730.00 from Department of Health, Education, and Welfare, Public Health Service, Division of Associated Health Professions, Bethesda, Maryland, for M.S. for Physical Therapists - Teacher Preparation - Training Grant, under the direction of School of Allied Medical Professions, for period January 1, 1976 through December 31, 1976. (Grant No. 1 A02 AH00667-01)
- gg. \$28,120.00 from Department of Health, Education, and Welfare, Public Health Service, Division of Associated Health Professions, Bethesda, Maryland, for Dietetics, Ph. D. - Training Grant, under the direction of School of Allied Medical Professions, for period July 1, 1975 through June 30, 1976. (Grant No. 1 A02 AH00659-01)
- hh. \$27,125.00 from Department of Health, Education, and Welfare, Public Health Service, Division of Associated Health Professions, Bethesda, Maryland, for M.S. in Medical Dietetics - Teacher Preparation - Training Grant, under the direction of School of Allied Medical Professions, for period January 1, 1976 through December 31, 1976. (Grant No. 1 A02 AH00669-01)
- ii. \$27,062.00 from Department of Health, Education, and Welfare, Public Health Service, Chicago, Illinois, for Health Professions Special Projects, under the direction of College of Veterinary Medicine, for period July 1, 1975 through June 30, 1976. (Project I. D. No. 05D000266-02)

September 5, 1975 meeting, Board of Trustees

III. REPORT OF RESEARCH CONTRACTS, GRANTS, GIFTS, AND AGREEMENTS  
(continued)

A. Office of Business and Administration (continued)

1. Federal Contracts/Grants (continued)

- jj. \$25,000.00 from Department of Health, Education, and Welfare, Office of Education, Grant and Procurement Management Division, Washington, D. C. for Application for Cooperative Education Programs, under the direction of Department of Mechanical Engineering, for period July 1, 1975 through June 30, 1976. (Grant No. G007501308)
- kk. \$24,820.00 from Department of Health, Education, and Welfare, Public Health Service, Division of Associated Health Professions, Bethesda, Maryland, for Dietetics - M.S. - Training Grant, under the direction of School of Allied Medical Professions, for period January 1, 1976 through December 31, 1976. (Grant No. 1 A02 AH00644-01)
- ll. \$23,697.00 from Department of Health, Education, and Welfare, Public Health Service, Grants and Contracts Management Branch, National Institute of Mental Health, Bethesda, Maryland, for Child Psychiatry - Training Grant, under the direction of Department of Psychiatry, for period July 1, 1975 through June 30, 1976. (Grant No. 2 T01 MH11296-08)
- mm. \$20,000.00 from Department of Health, Education, and Welfare, Public Health Service, Bethesda, Maryland, for Bi-Regional Conference on Health Services, under the direction of College of Medicine, for period July 1, 1975 through June 30, 1976. (Project I. D. No. MCT-001034-01-0)
- nn. \$18,100.00 from Department of Health, Education, and Welfare, Office of Education, Grant and Procurement Management Division, Washington, D. C., for Vocational Technical Education Leadership Development, under the direction of Academic Faculty of Vocational-Technical Education, for period July 1, 1975 through August 31, 1976. (Grant No. G007502148, Project No. 503AH50030A, Revision No. 1)
- oo. \$17,620.00 from Department of Health, Education, and Welfare, Public Health Service, Division of Associated Health Professions, Bethesda, Maryland, for M.S. for Medical Communications - Continuing Education - Training Grant, under the direction of School of Allied Medical Professions, for period July 1, 1975 through June 30, 1976. (Grant No. 1 A02 AH00660-01)
- pp. \$15,300.00 from Department of Health, Education, and Welfare, Public Health Service, Division of Associated Health Professions, Bethesda, Maryland, for Medical Student Apprenticeship Training Program, under the direction of Department of Preventive Medicine, for period July 1, 1975 through June 30, 1976. (Grant No. 1 A07 AH00309-01)

September 5, 1975 meeting, Board of Trustees

III. REPORT OF RESEARCH CONTRACTS, GRANTS, GIFTS, AND AGREEMENTS  
(continued)

A. Office of Business and Administration (continued)

1. Federal Contracts/Grants (continued)

- qq. \$13,920.00 from Department of Health, Education, and Welfare, Public Health Service, Grants and Contracts Management Branch, National Institute of Mental Health, Bethesda, Maryland, for Experimental Psychology Graduate - Institutional National Research Service Award, under the direction of Department of Psychology, for period July 1, 1975 through June 30, 1976. (Grant No. 1 T32 MH14260-01)
- rr. \$12,952.00 from Department of Health, Education, and Welfare, Public Health Service, Division of Nursing, Bethesda, Maryland, for Nursing Capitation Grant Program, under the direction of School of Nursing, for period July 1, 1975 through June 30, 1976. (Grant No. 2 E04 N01081-04)
- ss. \$12,000.00 from Energy Research and Development Administration, Argonne, Illinois, for stipends for students in nuclear engineering, under the direction of Department of Mechanical Engineering, for period September 1, 1975 through August 31, 1976. (Contract No. E-(40-1)-3892, Modification No. 6)
- tt. \$11,691.00 from Department of Health, Education, and Welfare, Public Health Service, Grants and Procurement Management Division, Washington, D. C., for UAF Psychology Training Directors Meeting, under the direction of Nisonger Center for Mental Retardation, for period July 1, 1975 through June 30, 1976. (Project I. D. No. MCT-00959-01-0)
- uu. \$10,856.00 from Department of Health, Education, and Welfare, Public Health Service, Grants and Contracts Management Branch, Chicago, Illinois, for Health Professions Special Projects, under the direction of College of Veterinary Medicine, for period July 1, 1975 through June 30, 1976. (Project I. D. No. 05D000268-02)
- vv. \$6,000.00 from Department of Health, Education, and Welfare, Social and Rehabilitation Service, Administration on Aging, Bethesda, Maryland, for Adult Education Opportunity for Older Americans, under the direction of Mansfield Regional Campus, for period September 1, 1975 through April 30, 1976. (Project I. D. No. 218-B)
- ww. \$5,000.00 from Department of Health, Education, and Welfare, Public Health Service, Grants and Contracts Management Branch, Chicago, Illinois, for The Use of the Computer in Dietetics, under the direction of School of Allied Medical Professions, for period August 4, 1975 through September 12, 1975. (Project I. D. No. 05A000089-01)

September 5, 1975 meeting, Board of Trustees

III. REPORT OF RESEARCH CONTRACTS, GRANTS, GIFTS, AND AGREEMENTS  
(continued)

A. Office of Business and Administration (continued)

1. Federal Contracts/Grants (continued)

- xx. \$3,250.00 from United States Department of Justice, Law Enforcement Assistance Administration, Des Plaines, Illinois, for Law Enforcement Education Program, under the direction of Student Financial Aids, for period June 24, 1975 through June 30, 1976. (Grant No. 75-IN-05-0015)
- yy. \$3,000.00 from Department of Health, Education, and Welfare, Public Health Service, National Institute of Neurological and Communicative Disorders and Stroke, Bethesda, Maryland, for Research Fellowship Award, under the direction of Department of Chemistry, for period June 1, 1975 through May 31, 1976. (Fellowship No. 1 F32 NS05039-01)
- zz. \$3,000.00 from Department of Health, Education, and Welfare, Public Health Service, National Eye Institute, Bethesda, Maryland, for Research Fellowship Award, under the direction of College of Optometry, effective September 1, 1975. (Fellowship No. 1 F32 EY05038-01)

TOTAL - Federal Research Contracts/Grants \$7,477,311.00

2. State of Ohio Contracts/Grants

- a. \$736,986.00 from State of Ohio, Rehabilitation Services Commission, Columbus, Ohio, for Improvements Projects for the Handicapped (SGH-75-2), under the direction of Division of Campus Planning, for period July 16, 1975 through June 30, 1978.
- b. \$622,573.90 from State Department of Education, Division of Vocational Education, Columbus, Ohio, for support of teacher education, supervision, instructional materials development, and special services in the program in Trade and Industrial Education, Guidance Services, Business and Office Education, Distributive Education, Manpower Development and Vocational Education, under the direction of Academic Faculty of Vocational-Technical Education, for period July 1, 1975 through June 30, 1976.
- c. \$14,054.00 from State of Ohio, Rehabilitation Services Commission, Columbus, Ohio, for Audiological Equipment (SGH-75-3), under the direction of Speech and Hearing Clinic, for period July 16, 1975 through December 31, 1975.
- d. \$10,648.00 from State of Ohio, Department of Health, Columbus, Ohio, for Care and Training of Hemophilic Patients for Home Therapy and Health Maintenance, under the direction of Department of Medicine, for period July 1, 1975 through June 30, 1976. (Hemophilic Project No. 676)

September 5, 1975 meeting, Board of Trustees

III. REPORT OF RESEARCH CONTRACTS, GRANTS, GIFTS, AND AGREEMENTS  
(continued)

A. Office of Business and Administration (continued)

2. State of Ohio Contracts/Grants (continued)

- e. \$2,500.00 from State of Ohio, Ohio Arts Council, Columbus, Ohio, for Summer Festival of the Performing Arts, under the direction of Mansfield Regional Education Campus, for period June 15, 1975 through August 9, 1975. (Project No. S-75-203)

TOTAL - State of Ohio Contracts/Grants \$1,386,761.90

3. Industrial and Other Contracts/Grants

- a. \$14,050.00 from Temple University, Philadelphia, Pennsylvania, for Adapting, Utilizing, and Evaluating Performance-Based Vocational Teacher Education Curricula, under the direction of Center for Vocational Education, for period June 20, 1975 through June 30, 1976. (Purchase Order No. U 14876)
- b. \$13,158.00 from Franklin County Mental Health and Retardation Board, Columbus, Ohio, for extension of the "normalization" process to schools of the various other settings in which a child and his family function within the near north side catchment area, under the direction of Nisonger Center for Mental Retardation, for period July, 1975 through June, 1976.
- c. \$9,232.00 from Ferris State College, Big Rapids, Michigan, for Adopting, Utilizing, and Evaluating Performance-Based Vocational Teacher Education Curricula, under the direction of Center for Vocational and Technical Education, for period July 15, 1975 through December 15, 1975.
- d. \$9,000.00 from Japan Foundation, Tokyo, Japan, for addition of a sociologist of Japan, under the direction of East Asian Studies Program, for period 1975-1976. (Account No. 00-0097-5)
- e. \$6,000.00 from Flint Community Schools, Flint, Michigan, for Career Education Curriculum Units, Grades K-12, for member school districts in the Alliance for Career Education, under the direction of Center for Vocational and Technical Education, effective June 24, 1975. (Contract No. CVE/ACE-118-FCS-74)
- f. \$4,500.00 from Ashland County - West Holmes Joint Vocational School, Ashland, Ohio, for Ashland Joint Vocational School Motivation Project, under the direction of Center for Vocational Education, for period August 1, 1975 through June 7, 1976.

TOTAL - Industrial and Other Contracts/Grants \$55,940.00

III. REPORT OF RESEARCH CONTRACTS, GRANTS, GIFTS, AND AGREEMENTS  
(continued)

B. The Ohio State University Research Foundation

1. Federal Research Contracts/Grants

- a. \$994,226.00 from Department of Health, Education, and Welfare, Public Health Service, National Institutes of Health, National Cancer Institute, Bethesda, Maryland, for Cancer Center Support Grant, under the direction of Office of Medical Affairs, for period June 1, 1975 through May 31, 1976. (Project 3976 - Ext. #1)
- b. \$208,920.00 from Department of Health, Education, and Welfare, Public Health Service, National Institutes of Health, National Cancer Institute, Bethesda, Maryland, for Immunobiologic Responses of the Cat to Feline Oncornaviruses, under the direction of Department of Veterinary Pathobiology, for period June 30, 1975 through June 29, 1976. (Project 4227-A1 - New)
- c. \$187,881.00 from Department of Health, Education, and Welfare, Public Health Service, Health Resources Administration, National Center for Health Services Research, Rockville, Maryland, for Delivery of Emergency Medical Services in Disasters, under the direction of Department of Sociology, for period June 1, 1975 through May 31, 1976. (Project 4195-A1 - New)
- d. \$144,500.00 from Department of Health, Education, and Welfare, Public Health Service, National Institutes of Health, National Institute of Dental Research, Bethesda, Maryland, for Research Study to Determine the Biochemical, Enzymatic and Microbiological Composition of Plaque Associated with the Onset of Dental Caries, under the direction of College of Dentistry, for period June 1, 1975 through August 31, 1978. (Project 4170-A1 - New)
- e. \$131,245.00 from Department of Health, Education, and Welfare, Public Health Service, Health Resources Administration, Bureau of Health Resources Development, Division of Nursing, Bethesda, Maryland, for Communicative Interaction - Methodology and Analysis, under the direction of School of Nursing, for period June 15, 1975 through June 14, 1976. (Project 3235-A4 - Ext. #3)
- f. \$130,000.00 from Department of Health, Education, and Welfare, Public Health Service, Food and Drug Administration, Rockville, Maryland, for A Relationship Between Pharmacokinetic Distribution of Antimicrobial Drugs and Effectiveness, under the direction of Department of Veterinary Physiology and Pharmacology, for period June 24, 1974 through June 22, 1977. (Project 3958-A1 - Mod. #3)

September 5, 1975 meeting, Board of Trustees

III. REPORT OF RESEARCH CONTRACTS, GRANTS, GIFTS, AND AGREEMENTS  
(continued)

B. The Ohio State University Research Foundation (continued)

1. Federal Research Contracts/Grants (continued)

- g. \$121,554.00 from Department of Health, Education, and Welfare, Public Health Service, Alcohol, Drug Abuse, and Mental Health Administration, National Institute on Drug Abuse, Rockville, Maryland, for Testing of Drug Delivery Systems for Use in the Treatment of Narcotic Addiction, under the direction of College of Pharmacy, for period June 28, 1973 through June 27, 1976. (Project 3715-A1 - Mod. #6)
- h. \$104,660.00 from Department of Health, Education, and Welfare, Public Health Service, National Institutes of Health, National Cancer Institute, Bethesda, Maryland, for Conducting Investigation of Clinical Pharmacology of Potential Anticancer Agents, under the direction of College of Pharmacy, for period June 23, 1975 through June 22, 1976. (Project 4210-A1 - New)
- i. \$95,000.00 from U. S. Environmental Protection Agency, Washington, D. C., for Application of Fourier Transform Spectroscopy to Air Pollution Problems, under the direction of Department of Physics, for period July 15, 1975 through July 14, 1976. (Project 4221-A1 - New)
- j. \$84,808.00 from Department of Health, Education, and Welfare, Public Health Service, National Institutes of Health, National Heart and Lung Institute, Bethesda, Maryland, for Development of Effective Therapy for Sickle Cell Disease, under the direction of Department of Medicine, for period June 26, 1972 through June 25, 1976. (Project 3478-A1 - Mod. #4)
- k. \$77,319.00 from Department of Health, Education, and Welfare, Public Health Service, National Institutes of Health, National Institute of General Medical Sciences, Bethesda, Maryland, for Ligand Reactions, Catalysis and Macrocyclic Complexes, under the direction of Department of Chemistry, for period June 1, 1975 through May 31, 1976. (Project 1501-M - Ext. #12)
- l. \$77,181.00 from Department of Health, Education, and Welfare, Public Health Service, National Institutes of Health, National Cancer Institute, Bethesda, Maryland, for Design and Synthesis of Fraudulent Sugars Related to Daunosamine, under the direction of Department of Chemistry, for period June 30, 1975 through June 29, 1976. (Project 4226-A1 - New)

September 5, 1975 meeting, Board of Trustees

III. REPORT OF RESEARCH CONTRACTS, GRANTS, GIFTS, AND AGREEMENTS  
(continued)

B. The Ohio State University Research Foundation (continued)

1. Federal Research Contracts/Grants (continued)

- m. \$76,776.00 from Department of Health, Education, and Welfare, Public Health Service, National Institutes of Health, National Cancer Institute, Bethesda, Maryland, for Chemical Studies Related to Hydrocarbon Carcinogenesis, under the direction of Department of Chemistry, for period June 1, 1975 through May 31, 1976. (Project 3284-A5 - Ext. #4)
- n. \$75,445.00 from Department of Health, Education, and Welfare, Public Health Service, National Institutes of Health, National Cancer Institute, Bethesda, Maryland, for Quantitative Assays of Monocyte-Microphage Function, under the direction of Department of Medicine, for period June 16, 1975 through June 15, 1976. (Project 4213-A1 - New)
- o. \$74,365.00 from Department of Health, Education, and Welfare, Public Health Service, National Institutes of Health, National Institute of Neurological and Communicative Disorders and Stroke, Bethesda, Maryland, for Stroke Acute Care Research Unit, under the direction of Department of Medicine, for period June 1, 1975 through May 31, 1976. (Project 3687-A3 - Ext. #2)
- p. \$69,887.00 additional funds from U. S. Environmental Protection Agency, Washington, D. C., for Lake Erie Nutrient Control Program: An Assessment of Its Effectiveness in Controlling Lake Eutrophication, under the direction of College of Biological Sciences Administration. (Project 3705-A3 - Mod. #1)
- q. \$68,438.00 from U. S. Department of Commerce, National Oceanic and Atmospheric Administration, Rockville, Maryland, for Spectroscopic Measurements of Ozone, Water and Other Atmospheric Gases, under the direction of Department of Physics, for period April 1, 1974 through June 30, 1976. (Project 3910-A1 - Mod. #3)
- r. \$64,781.00 from U. S. Environmental Protection Agency, Chicago, Illinois, for Maumee River Watershed Study, under the direction of Department of Agronomy, for period May 10, 1974 through December 31, 1975. (Project 3977-A1 - Amend. #2)
- s. \$63,679.00 from U. S. Department of Transportation, National Highway and Traffic Safety Administration, Washington, D. C., for Utility of Peripheral Vision to Motor Vehicle Drivers, under the direction of Department of Industrial and Systems Engineering, for period June 23, 1975 through June 22, 1976. (Project 4224-A1 - New)



September 5, 1975 meeting, Board of Trustees

III. REPORT OF RESEARCH CONTRACTS, GRANTS, GIFTS, AND AGREEMENTS  
(continued)

B. The Ohio State University Research Foundation (continued)

1. Federal Research Contracts/Grants (continued)

- t. \$63,334.00 from Department of Health, Education, and Welfare, Public Health Service, National Institutes of Health, National Institute of General Medical Sciences, Bethesda, Maryland, for Application of Immobilized Enzymes in Protein Chemistry, under the direction of Department of Biochemistry, for period June 1, 1975 through July 31, 1976. (Project 3477-A4 - Ext. #3 and #4)
- u. \$63,140.00 from Department of Health, Education and Welfare, Public Health Service, Alcohol, Drug Abuse, and Mental Health Administration, National Institute of Mental Health, Rockville, Maryland, for Pre-College Social Development Program, under the direction of Office of Minority Affairs, for period June 1, 1975 through May 31, 1976. (Project 3979-A2 - Ext. #1)
- v. \$60,680.00 from U. S. Department of Labor, Manpower Administration, Washington, D. C., for The Transition to CETA in Ohio: An Analysis of Implementation, under the direction of Department of Political Science, for period September 15, 1974 through September 14, 1976. (Project 4055-A1 - Mod. No. 1)
- w. \$58,273.00 from Department of Health, Education, and Welfare, Public Health Service, National Institutes of Health, National Institute of Child Health and Human Development, Bethesda, Maryland, for Household Formation, Fertility, and Market Activity, under the direction of Department of Economics, for period June 15, 1975 through May 31, 1976. (Project 3629-A3 - Ext. #2)
- x. \$55,322.00 from Department of Health, Education, and Welfare, Public Health Service, National Institutes of Health, National Institute of General Medical Sciences, Bethesda, Maryland, for A Phytochemical Search for Medicinal Constituents, under the direction of College of Pharmacy, for period June 30, 1975 through August 31, 1976. (Project 4212-A1 - New)
- y. \$50,247.00 from U. S. Environmental Protection Agency, Washington, D. C., for Effects of Different Forms of Selenium in Drinking Water on Selenium Disposition Metabolism and Glutathione Peroxidase Activity, under the direction of Department of Pharmacology, for period July 1, 1975 through June 30, 1976. (Project 4208-A1 - New)

September 5, 1975 meeting, Board of Trustees

III. REPORT OF RESEARCH CONTRACTS, GRANTS, GIFTS, AND AGREEMENTS  
(continued)

B. The Ohio State University Research Foundation (continued)

1. Federal Research Contracts/Grants (continued)

- z. \$49,675.00 from Department of Health, Education, and Welfare, National Institute of Education, Washington, D. C., for Review and Synthesis of Studies of Activity-Based Approaches to Mathematics, under the direction of Academic Faculty of Science and Mathematics Education, for period July 1, 1975 through June 30, 1976. (Project 4222-A1 - New)
- aa. \$46,086.00 from Department of Health, Education, and Welfare, Public Health Service, National Institutes of Health, National Cancer Institute, Bethesda, Maryland, for Biochemistry of Nitrosourea Induced Brain Tumors, under the direction of Department of Medicine, for period June 1, 1975 through May 31, 1976. (Project 2069-K - Ext. #10)
- bb. \$45,877.00 from Department of Health, Education, and Welfare, Public Health Service, National Institutes of Health, National Cancer Institute, Bethesda, Maryland, for Inhibition and Isolation of Tumor Transport Systems, under the direction of Department of Physiological Chemistry, for period June 1, 1975 through May 31, 1976. (Project 4199-A1 - New)
- cc. \$45,000.00 additional funds from U. S. Environmental Protection Agency, Research Triangle Park, North Carolina, for Mechanisms of Photochemically Initiated Oxidations, under the direction of Department of Chemistry. (Project 1220-P - Ext. #15)
- dd. \$42,958.00 from Department of Health, Education, and Welfare, Public Health Service, National Institutes of Health, National Eye Institute, Bethesda, Maryland, for Electrophysiological Studies of Visual Adaptation, under the direction of Department of Ophthalmology, for period June 1, 1975 through May 31, 1976. (Project 2711-F - Ext. #6)
- ee. \$40,000.00 from Department of the Air Force, U. S. Air Force Office of Scientific Research, Arlington, Virginia, for Fluid Dynamic Interactions in Multiple Nozzle Arrays, under the direction of Department of Aeronautical and Astronautical Engineering, for period May 1, 1973 through June 30, 1976. (Project 3670-A1 - Mod. #D)

III. REPORT OF RESEARCH CONTRACTS, GRANTS, GIFTS, AND AGREEMENTS  
(continued)

B. The Ohio State University Research Foundation (continued)

1. Federal Research Contracts/Grants (continued)

- ff. \$38,442.00 from Department of the Air Force, U. S. Air Force Office of Scientific Research, Arlington, Virginia, for Cardiovascular, Renal and Respiratory Effects of High Intensity, Intermediate Duration, Low Frequency Vibration, under the direction of Department of Veterinary Physiology and Pharmacology, for period June 1, 1973 through June 30, 1976. (Project 3656-A1 & B1 - Mod. #AFOSR-73-2526-C)
- gg. \$34,000.00 from National Science Foundation, Washington, D. C., for Surface Modes in Yttrium Iron Garnet Single Crystal Discs, under the direction of Department of Physics, for period July 1, 1972 through June 30, 1976. (Project 3457-A1 - NSF Letter Dated May 19, 1975)
- hh. \$32,126.00 from Department of the Air Force, U. S. Air Force Office of Scientific Research, Arlington, Virginia, for Aspects of Decision Theory with Applications to Target Recognition and Digital Communications, under the direction of Department of Computer and Information Science, for period June 1, 1972 through June 30, 1976. (Project 3444-A1 - Mod. #F)
- ii. \$31,295.00 from Department of Health, Education, and Welfare, Public Health Service, Alcohol, Drug Abuse, and Mental Health Administration, National Institute of Mental Health, Rockville, Maryland, for Mechanisms of Voluntary Action and Voluntary Attention, under the direction of Department of Psychology, for period June 1, 1975 through May 31, 1976. (Project 3333-A4 - Ext. #3)
- jj. \$30,829.00 from Department of Health, Education, and Welfare, Public Health Service, National Institutes of Health, National Institute of Allergy and Infectious Diseases, Bethesda, Maryland, for Study on In Vivo Growth of Staphylococci, under the direction of Department of Medical Microbiology, for period June 1, 1975 through May 31, 1976. (Project 2330-F - Ext. #6)
- kk. \$30,000.00 from Department of the Air Force, U. S. Air Force Systems Command, Aeronautical Systems Division, Wright-Patterson Air Force Base, Ohio, for Variable Camber Supercritical Airfoil for Advanced Transonic Wings, under the direction of Department of Aeronautical and Astronautical Engineering, for period June 16, 1975 through October 16, 1975. (Project 4203 - New)

September 5, 1975 meeting, Board of Trustees

III. REPORT OF RESEARCH CONTRACTS, GRANTS, GIFTS, AND AGREEMENTS  
(continued)

B. The Ohio State University Research Foundation (continued)

1. Federal Research Contracts/Grants (continued)

li. \$28,772.00 from National Endowment for the Humanities, Washington, D. C., for Teaching the Amateur Historian How to Use the Techniques of the Professional Humanist, under the direction of Department of History, for period April 1, 1975 through February 29, 1976. (Project 4191-A1 - New)

mm. \$28,000.00 from National Science Foundation, Washington, D. C., for Low-Temperature Transport Phenomena in Metals, under the direction of Department of Physics, for period May 1, 1972 through June 30, 1976. (Project 3436-B1 - NSF Letter Dated May 13, 1975)

nn. \$27,219.00 from Department of Health, Education, and Welfare, Public Health Service, National Institutes of Health, National Heart and Lung Institute, Bethesda, Maryland, for FT-Infrared Spectroscopy of Heart Muscle Energetics, under the direction of Department of Physiological Chemistry, for period June 1, 1975 through May 31, 1976. (Project 4200-A1 - New)

oo. \$26,200.00 from National Science Foundation, Washington, D. C., for Operator Ergodic Theory, under the direction of Department of Mathematics, for period July 1, 1972 through June 30, 1977. (Project 3447-A1 - NSF Letter Dated May 20, 1975)

pp. \$25,580.00 from National Science Foundation, Washington, D. C., for Moral Dilemmas in the Application of Biological Research, under the direction of Department of Philosophy, for period October 1, 1975 through September 30, 1976. (Project 4216-A1 - New)

qq. \$25,476.00 from Department of Health, Education, and Welfare, Public Health Service, National Institutes of Health, National Institute of Arthritis and Metabolic Diseases, Bethesda, Maryland, for Oxalic Acid Metabolism and Primary Hyperoxaluria, under the direction of Department of Physiological Chemistry, for period June 1, 1975 through May 31, 1976. (Project 2720-E - Ext. #5)

rr. \$24,000.00 additional funds from Department of Health, Education, and Welfare, Public Health Service, National Institutes of Health, Division of Research Resources, Bethesda, Maryland, for General Clinical Research Center - 10 Beds, under the direction of Department of Medicine. (Project 1196-2P - Revised Award Dated June 10, 1975)

September 5, 1975 meeting, Board of Trustees

III. REPORT OF RESEARCH CONTRACTS, GRANTS, GIFTS, AND AGREEMENTS  
(continued)

B. The Ohio State University Research Foundation (continued)

1. Federal Research Contracts/Grants (continued)

- ss. \$23,300.00 from National Science Foundation, Washington, D. C., for Uptake and Transport of Macromolecules by Fish Gill and Frog Skin, under the direction of Department of Zoology, for period September 1, 1975 through August 31, 1977. (Project 4220-A1 - New)
- tt. \$23,139.00 from Department of Health, Education, and Welfare, Public Health Service, National Institutes of Health, National Cancer Institute, Bethesda, Maryland, for Mechanism of Carcinogen - CO - Carcinogen Interaction, under the direction of Department of Radiology, for period June 1, 1975 through May 31, 1976. (Project 4198-A1 & B1 - New)
- uu. \$20,911.00 from Department of the Navy, U. S. Office of Naval Research, Arlington, Virginia, for Contract Administration and/or Contract Procurement Course, under the direction of College of Administrative Science, Division of Continuing Education, for period July 1, 1974 through December 31, 1975. (Project 4080-A1 - Mod. #P00001)
- vv. \$20,889.00 from Department of Health, Education, and Welfare, Public Health Service, National Institutes of Health, National Institute of Child Health and Human Development, Bethesda, Maryland, for Sexual Attraction in Allomyces and Fucus, under the direction of Department of Chemistry, for period June 1, 1975 through May 31, 1976. (Project 3921-A2 - Ext. #1)
- ww. \$20,000.00 from National Aeronautics and Space Administration, Langley Research Center, Hampton, Virginia, for The Identification of Scientific Programs to Utilize the Space Environment, under the direction of Graduate School Administration, for period June 16, 1975 through June 15, 1976. (Project 4207-A1 - New)
- xx. \$19,614.00 from Department of Health, Education, and Welfare, Public Health Service, National Institutes of Health, National Institute of Allergy and Infectious Diseases, Bethesda, Maryland, for Biochemical Aspects of Host-Parasite Relationships, under the direction of Department of Zoology, for period June 15, 1975 through May 31, 1976. (Project 4215-A1 - New)
- yy. \$19,597.00 from Department of Health, Education, and Welfare, Public Health Service, National Institutes of Health, National Heart and Lung Institute, Bethesda, Maryland, for Aortic Function, under the direction of Department of Physiology, for period June 1, 1975 through May 31, 1976. (Project 3236-A5 - Ext. #4)

III. REPORT OF RESEARCH CONTRACTS, GRANTS, GIFTS, AND AGREEMENTS  
(continued)

B. The Ohio State University Research Foundation (continued)

1. Federal Research Contracts/Grants (continued)

- zz. \$17,038.00 from Department of Health, Education, and Welfare, Public Health Service, National Institutes of Health, National Eye Institute, Bethesda, Maryland, for Interaction Between Receptor Classes in the Retina, under the direction of Department of Biophysics, for period June 15, 1975 through May 31, 1976. (Project 3048-A5 - Ext. #4)
- aaa. \$16,545.00 from Department of Health, Education, and Welfare, U. S. Office of Education, Washington, D. C., for Program Officer's Course in Government Contracting, under the direction of College of Administrative Science, Division of Continuing Education, for period July 1, 1975 through December 19, 1975. (Project 4223-A1 - New)
- bbb. \$9,550.00 from Department of Health, Education, and Welfare, Public Health Service, Food and Drug Administration, Rockville, Maryland, for The Toxicity and Potency of Tetracyclines, under the direction of College of Pharmacy, for period June 1, 1975 through May 31, 1976. (Project 3964-A2 - Ext. #1)
- ccc. \$9,400.00 from U. S. Environmental Protection Agency, Washington, D. C., for EPA Contract Project Officer's Training Course, under the direction of College of Administrative Science, Division of Continuing Education, for period July 1, 1974 through December 10, 1975. (Project 3978-A1 - Mod. #3)
- ddd. \$8,828.00 from Department of Health, Education, and Welfare, Public Health Service, Center for Disease Control, Bureau of Health Education, Atlanta, Georgia, for Development of a Manual for Public Education and Information for Emergency Medical Services Development, under the direction of Department of Preventive Medicine, for period June 25, 1975 through September 30, 1975. (Project 4225-A1 - New)
- eee. \$7,634.00 from Department of Health, Education, and Welfare, Public Health Service, Food and Drug Administration, Rockville, Maryland, for Adverse Drug Reaction, under the direction of Department of Veterinary Clinical Sciences, for period June 30, 1975 through June 29, 1976. (Project 4209-A1 - New)
- fff. \$7,007.00 additional funds from Department of Health, Education, and Welfare, National Institute of Education, Washington, D. C., for ERIC Information Analysis Center for Science, Mathematics, Environmental Education, under the direction of Academic Faculty of Science and Mathematics Education. (Project 4093-A1 - Mod. #1)

September 5, 1975 meeting, Board of Trustees

III. REPORT OF RESEARCH CONTRACTS, GRANTS, GIFTS, AND AGREEMENTS  
(continued)

B. The Ohio State University Research Foundation (continued)

1. Federal Research Contracts/Grants (continued)

- ggg. \$7,000.00 additional funds from U. S. Department of Interior, Fish and Wildlife Service, Washington, D. C., for Evaluation of the Effects of Stream Channelization on Warm-Water Fish Populations, under the direction of Department of Zoology. (Project 3695-A1 - Mod. #3)
- hhh. \$6,000.00 from National Science Foundation, Washington, D. C., for Simple Groups of Component Type, under the direction of Department of Mathematics, for period July 1, 1975 through June 30, 1976. (Project 4194-A1 - New)
- iii. \$5,980.00 from Department of Health, Education, and Welfare, Public Health Service, Alcohol, Drug Abuse, and Mental Health Administration, National Institute of Mental Health, Rockville, Maryland, for Conditioning of the Basomotor Response, under the direction of Department of Psychology, for period June 25, 1975 through May 31, 1976. (Project 4219-A1 - New)
- jjj. \$5,280.00 from Department of the Navy, U. S. Office of Naval Research, Arlington, Virginia, for Defense Two-Step Formal Advertising and Multi-Year Procurement Course, under the direction of College of Administrative Science, Division of Continuing Education, for period July 1, 1974 through December 31, 1975. (Project 4082-A1 - Mod. #P00001)
- kkk. \$5,000.00 from Department of the Army, Defense Civil Preparedness Agency, Washington, D. C., for Disaster Response and Planning, under the direction of Department of Sociology, for period February 11, 1972 through May 31, 1976. (Project 3395-A1 - Mod. #P479-7)
- lll. \$4,957.00 from Department of Health, Education, and Welfare, Office of Education, Bureau of Education for the Handicapped, Washington, D. C., for Development of a Sex Knowledge and Attitude Test for the Retarded, under the direction of Office of Medical Affairs, for period July 1, 1975 through June 30, 1976. (Project 4187-A1 - New)
- mmm. \$4,600.00 from National Science Foundation, Washington, D. C., for Spaces of Similarities, under the direction of Department of Mathematics, for period July 1, 1975 through June 30, 1976. (Project 4192-A1 - New)

III. REPORT OF RESEARCH CONTRACTS, GRANTS, GIFTS, AND AGREEMENTS  
(continued)

B. The Ohio State University Research Foundation (continued)

1. Federal Research Contracts/Grants (continued)

- nnn. \$4,300.00 from National Science Foundation, Washington, D. C., for Spectroscopic Instrumentation for Molecular Structure Investigation, under the direction of Department of Physics, for period June 1, 1975 through September 30, 1975. (Project 4205-A1 - New)
- ooo. \$3,550.00 from Department of Health, Education, and Welfare, Office of the Secretary, Washington, D. C., for Program Officials Guide to Contracting, under the direction of College of Administrative Science, Division of Continuing Education, for period December 23, 1974 through January 1, 1975. (Project 4099-A1 - New)
- ppp. \$2,575.00 from Department of the Navy, U. S. Office of Naval Research, Arlington, Virginia, for Defense Negotiations Techniques Course, under the direction of College of Administrative Science, Division of Continuing Education, for period July 1, 1974 through December 31, 1975. (Project 4079-A1 - Mod. #P09001)
- qqq. \$1,897.00 additional funds from Department of Health, Education, and Welfare, Public Health Service, National Institutes of Health, National Institute of General Medical Science, Bethesda, Maryland, for Lipopolysaccharide Antigens of Pseudomonas Aeruginosa, under the direction of Department of Chemistry. (Project 3943-A1 - Supplement Dated April 30, 1975)
- rrr. \$1,000.00 from Department of Health, Education, and Welfare, Office of the Secretary, Washington, D. C., for Manuscript on Mental Retardation and the Law, under the direction of College of Law, for period March 17, 1975 through June 30, 1975. (Project 4197-A1 - New)

TOTAL - Federal Research Contracts/Grants \$4,128,787.00

2. State of Ohio Research Contracts/Grants

- a. \$53,334.00 from Ohio Department of Economic and Community Development, Administration of Justice Division, Columbus, Ohio, for In-Service Training for Court and Corrections Personnel, under the direction of School of Public Administration, for period July 1, 1975 through June 30, 1976. (Project 4196-A1 - New)



III. REPORT OF RESEARCH CONTRACTS, GRANTS, GIFTS, AND AGREEMENTS  
(continued)

B. The Ohio State University Research Foundation (continued)

2. State of Ohio Research Contracts/Grants (continued)

- b. \$19,671.00 from Ohio Department of Health, Columbus, Ohio, for Perinatal Care - Care of High-Risk Pregnancy, under the direction of Department of Pediatrics, for period January 1, 1975 through December 31, 1975. (Project 4100-A1 - New)
- c. \$1,050.00 from Ohio Department of Mental Health and Retardation, Columbus, Ohio, for The Child Batterer: An Exploration Into Socialization, under the direction of Department of Sociology, for period June 1, 1975 through June 30, 1975. (Project 4202-A1 - New)

TOTAL - State of Ohio Research Contracts/Grants \$74,055.00

3. Industrial, Subcontracts/Grants and Other  
Non-Federal Research Contracts/Grants

- a. \$82,962.00 from The Procter and Gamble Company, Cincinnati, Ohio, for the Study of Dental Caries, under the direction of College of Dentistry, for period July 1, 1975 through June 30, 1976. (Project 2065-F - Letter of Agreement Dated June 19, 1975)
- b. \$57,698.00 from Ohio Department of Health, Columbus, Ohio, for OSU Family Planning Division - Fertility, under the direction of Department of Obstetrics and Gynecology, for period July 1, 1975 through June 30, 1976. (Project 3510-A5 - Ext. #4)
- c. \$44,668.00 from The Procter and Gamble Company, Cincinnati, Ohio, for the Study of Dental Calculus, under the direction of College of Dentistry, for period July 1, 1975 through June 30, 1976. (Project 2070-C - Ext. #10)
- d. \$37,727.00 from Central Ohio Area Agency on Aging, Parks and Recreation, Columbus, Ohio, for Homebound Dental Care, under the direction of College of Dentistry, for period May 1, 1975 through March 31, 1976. (Project 4043-A2 - Ext. #1)
- e. \$35,122.00 from The Procter and Gamble Company, Cincinnati, Ohio, for Study of Morphological and Physiological Changes of the Motor Unit Inducted by Zinc Pyridinethione (ZPT), under the direction of Department of Medicine, for period June 16, 1975 through June 15, 1976. (Project 4206-A1 - New)

September 5, 1975 meeting, Board of Trustees

III. REPORT OF RESEARCH CONTRACTS, GRANTS, GIFTS, AND AGREEMENTS  
(continued)

B. The Ohio State University Research Foundation (continued)

3. Industrial, Subcontracts/Grants and Other  
Non-Federal Research Contracts/Grants (continued)

- f. \$18,920.00 from American Heart Association, Inc., New York, New York, for Anti-Vascular Endothelium Antibody in Transplantation, under the direction of Department of Surgery, for period July 1, 1975 through June 30, 1976. (Project 3935-A2 - Ext. #1)
- g. \$18,063.00 from Ohio Department of Health, Columbus, Ohio, for OSU Family Planning Division - Infertility, under the direction of Department of Obstetrics and Gynecology, for period July 1, 1975 through June 30, 1976. (Project 3509-A5 - Ext. #4)
- h. \$16,156.00 from National Multiple Sclerosis Society, New York, New York, for The Ultrastructural Immunohistochemical Localization of the Myelin Encephalitogenic Protein of Normal and Diseased Central and Peripheral Nervous System, under the direction of Department of Medicine, for period July 1, 1975 through June 30, 1976. (Project 3853-A2 - Ext. #1)
- i. \$12,500.00 from American Cancer Society, New York, New York, for Sero-epidemiology Study of Feline Leukemia, under the direction of Department of Veterinary Pathobiology, for period July 1, 1975 through December 31, 1975. (Project 3726-A2 - Ext. #1)
- j. \$12,427.00 from The Regents of the University of Colorado, Denver, Colorado, for Subcontract from University of Colorado to The Ohio State University Research Foundation, under the direction of Department of Medicine, for period May 15, 1972 through November 30, 1975. (Project 3496-A1 - Mod. #2)
- k. \$11,903.50 additional funds from State of Ohio, Department of Health, Columbus, Ohio, for Family Planning Clinic, under the direction of Department of Obstetrics and Gynecology. (Project 3510-A4 - Letter Dated June 20, 1975)
- l. \$10,000.00 from Muscular Dystrophy Association of America, New York, New York, for Duchenne Muscular Dystrophy: A New Approach to Therapy, under the direction of Department of Medicine, for period July 1, 1975 through June 30, 1976. (Project 3704-A3 - Ext. #2)
- m. \$8,707.50 additional funds from State of Ohio, Department of Health, Columbus, Ohio, for Family Planning - Infertility Clinic, under the direction of Department of Obstetrics and Gynecology. (Project 3509-A4 - Letter Dated June 20, 1975)

September 5, 1975 meeting, Board of Trustees

III. REPORT OF RESEARCH CONTRACTS, GRANTS, GIFTS, AND AGREEMENTS  
(continued)

B. The Ohio State University Research Foundation (continued)

3. Industrial, Subcontracts/Grants and Other  
Non-Federal Research Contracts/Grants (continued)

- n. \$8,000.00 from Columbus Workhouse, Columbus, Ohio, for Workhouse Employment Program Evaluative Audit, under the direction of School of Public Administration, for period June 15, 1975 through September 30, 1975. (Project 4201-A1 - New)
- o. \$5,000.00 from American Nurses' Foundation, Kansas City, Missouri, for Changes in Temporal Experience Resulting from Structuring the Auditory Environment for Individuals Confined to Bed, under the direction of School of Nursing, for period July 1, 1975 through June 30, 1976. (Project 4217-A1 - New)
- p. \$4,943.00 from The Ohio Program in the Humanities, Columbus, Ohio, for Women and the Challenge of Changing Role Expectations: Humanistic and Practical Perspective, under the direction of Division of Continuing Education, Office of Educational Services, for period May 1, 1975 through July 31, 1975. (Project 4183-A1 - New)
- q. \$3,000.00 from Central Ohio Agency on Aging, Parks and Recreation, Columbus, Ohio, for Homebound Dental Care, under the direction of College of Dentistry, for period October 1, 1974 through April 30, 1975. (Project 4043-A1 - Mod. Dated April 22, 1975)

TOTAL - Industrial, Subcontracts/Grants and Other  
Non-Federal Research Contracts/Grants \$387,797.00

C. The Engineering Experiment Station

1. State of Ohio Research Contracts

- a. \$61,800.00 from Ohio Department of Transportation, Columbus, Ohio, for Signal Progression on Routes in Suburban to Rural Areas, under the direction of Department of Civil Engineering, for period June 1, 1975 through May 31, 1976. (EES 471, Ext. #2)
- b. \$43,000.00 from Ohio Department of Transportation, Columbus, Ohio, for Wet Weather Skidding Accident Reduction at Intersections, under the direction of Department of Industrial and Systems Engineering, for period July 1, 1975 through September 30, 1977. (EES 517)

September 5, 1975 meeting, Board of Trustees

III. REPORT OF RESEARCH CONTRACTS, GRANTS, GIFTS, AND AGREEMENTS  
(continued)

C. The Engineering Experiment Station (continued)

1. State of Ohio Research Contracts (continued)

- c. \$9,900.00 from Public Utilities Commission of Ohio, Columbus, Ohio, for Evaluation of Metering and Related Technical Aspects for Implementing Improved Electric Utility Rate Structures, under the direction of Department of Mechanical Engineering, for period June 1, 1975 through September 30, 1975. (EES 514)
- d. \$9,864.00 from Public Utilities Commission of Ohio, Columbus, Ohio, for Improvement of the Cost Allocation Code and Collection of Electric Utility Data, under the direction of Department of Mechanical Engineering, for period June 1, 1975 through September 30, 1975. (EES 513)
- e. \$612.00 from Ohio Department of Transportation, Columbus, Ohio, for additional final report copies directed by Transportation Research Area. (EES 276P and EES 278P).

TOTAL - State of Ohio Research Contracts \$125,176.00

2. Industrial and Other Research Contracts

- a. \$8,000.00 from Gordian Associates, Incorporated, New York, New York, for Thermodynamic Simulations of Residential Heating Systems, under the direction of Department of Mechanical Engineering, for period June 13, 1975 through September 15, 1975. (EES 516)
- b. \$6,400.00 from Aluminum Company of America, Alcoa, Pennsylvania, for Ultrasonic Metal Drawing Applications, under the direction of Department of Engineering Mechanics, for period May 20, 1975 through November 19, 1975. (EES 515)

TOTAL - Industrial and Other Research Contracts \$14,400.00

D. The Ohio State University Development Fund

1. Gifts of \$5,000 or More

- a. \$59,972.15 from The Associates of Medicine, Columbus, Ohio-- \$51,821.30 for support of the Department of Medicine General Fund and \$8,150.85 for the Cardiology Support Fund.
- b. \$30,000.00 from The Bremer Foundation, Youngstown, Ohio, for the College of Medicine.
- c. \$25,000.00 from A. B., Dolly & Ralph Cohen Foundation, Cincinnati, Ohio, for the University Activities Center.

September 5, 1975 meeting, Board of Trustees

III. REPORT OF RESEARCH CONTRACTS, GRANTS, GIFTS, AND AGREEMENTS  
(continued)

D. The Ohio State University Development Fund (continued)

1. Gifts of \$5,000 or More (continued)

- d. \$18,000.00 from The Procter & Gamble Company, Cincinnati, Ohio--\$6,680.00 for their fellowship fund in Chemical Engineering, \$5,780.00 for their fellowship fund in Chemistry, and \$5,540.00 for their fellowship fund in Physiological Chemistry.
- e. \$17,413.00 from The John A. Hartford Foundation, Inc., New York, New York, for research in pharmacologic control of portal hypertension.
- f. \$11,833.33 from Estate of Melvin E. Moffitt, San Antonio, Texas, for an unrestricted named memorial (endowment) fund.
- g. \$10,000.00 from American Electric Power Service Corporation, New York, New York, for use of the Dean of the College of Engineering at his discretion.
- h. \$7,490.00 from Carter-Wallace, Inc., Cranbury, New Jersey, for support of research in Pharmacology.
- i. \$6,750.00 from L. J. Schultz & Company, Inc. (given in the name of Jacob O. Kamm), Cleveland, Ohio, for a use to be designated at a later date.
- j. \$6,470.00 from Phi Delta Kappa, Bloomington, Indiana, for the College of Education's Curriculum and Foundation Faculty Fund.
- k. \$5,940.22 from Estate of C. Howard Stokes, Cleveland, Ohio, for a named memorial fund in the University's Temporary Endowment.
- l. \$5,612.43 from Dr. B. Bernard Caplan, Columbus, Ohio, for the College of Medicine Progress Fund.
- m. \$5,398.14 from The Grand Chapter of Ohio, Order of the Eastern Star, New Lexington, Ohio, for Cancer Research Fund.
- n. \$5,000.00 from International Business Machines Corporation, Columbus, Ohio, for the Affirmative Action Program in Engineering, to help finance expansion of the number of minority freshmen engineering students.
- o. \$5,000.00 from Mrs. Margaret W. Kahliff, Elyria, Ohio, for scholarships for students in the School of Natural Resources.

September 5, 1975 meeting, Board of Trustees

III. REPORT OF RESEARCH CONTRACTS, GRANTS, GIFTS, AND AGREEMENTS  
(continued)

D. The Ohio State University Development Fund (continued)

1. Gifts of \$5,000 or More (continued)

- p. \$5,000.00 from Noba, Inc. (given in the name of B. Maxwell Drake, Tiffin, Ohio), for their research fund in the Department of Dairy Science.
- q. \$5,000.00 from Estate of Alice K. Spitler, Dayton, Ohio-- \$2,500.00 for the College of Medicine Progress Fund and \$2,500.00 for the Lucile B. Alexander Recognition (endowment) Fund in the School of Home Economics, to provide financial assistance to students enrolled in the School of Home Economics.

2. Establishment of Named Fund

- a. \$1,000.00 from Mary Ann Trapp for the establishment of The Mary Ann Trapp Scholarship Fund in Architecture.

The Mary Ann Trapp Scholarship Fund in Architecture

The Mary Ann Trapp Scholarship Fund in Architecture was established by the Board of Trustees of The Ohio State University with gifts to The Ohio State University Development Fund from Mary Ann Trapp, B.A. '50, Columbus, Ohio.

All gifts are to be invested in the University's Permanent Endowment under the rules and regulations adopted by the Board of Trustees of The Ohio State University with the right to invest and reinvest as occasion dictates.

The annual income is to be added to the principal until the fund reaches \$10,000. At that time, the income is to be used to provide one or more scholarships to students enrolled in the School of Architecture who have demonstrated academic ability and need for financial assistance. Selection of the recipient(s) is to be made by the University Scholarship Committee upon the recommendation of the Director of the School of Architecture.

Should the need for these scholarships cease to exist or so diminish as to provide unused income then the income may be used for any purpose whatsoever as determined by the Board of Trustees, with preference being given to recommendations from the appropriate administrative official of the University who is directly responsible for architectural education.

September 5, 1975 meeting, Board of Trustees

III. REPORT OF RESEARCH CONTRACTS, GRANTS, GIFTS, AND AGREEMENTS  
(continued)

E. Office of Business and Administration

1. Federal Contracts/Grants

- a. \$394,851.00 from Department of Health, Education, and Welfare, National Institute of Education, Contracts and Grants Management Division, Washington, D. C., for Continuation of the Development of the Occupational Exploration Program, under the direction of Center for Vocational Education, for period July 15, 1975 through July 14, 1976. (Contract No. NE-C-00-4-0012, Modification No. 5)
- b. \$60,478.00 from Department of Health, Education, and Welfare, Public Health Service, Division of Associated Health Professions, Bethesda, Maryland, for Allied Health Special Improvements--Competency Based Education Project, under the direction of School of Allied Medical Professions, for period July 1, 1975 through June 30, 1976. (Grant No. 1 D01 AH60047-01)
- c. \$56,241.00 from U. S. Department of Justice, Law Enforcement Assistance Administration, Washington, D. C., for Law Enforcement Education Program, Grant Award FY 1976, under the direction of Student Financial Aids, for period July 1, 1975 through June 30, 1976. (Grant No. 76-LP-05-0017)
- d. \$44,365.00 from Department of Health, Education, and Welfare, Region V, OHD, Office of Rehabilitation Services, Chicago, Illinois, for Traineeships in Speech Pathology and Audiology, under the direction of Department of Communication, for period September 1, 1975 through August 31, 1976. (Grant No. 44-P-25121/5-12)
- e. \$26,400.00 from National Science Foundation, Washington, D. C., for Graduate Fellows, under the direction of Graduate School, for period June 1, 1975 through September 30, 1979. (Proposal/Grant No. HES75-22073)
- f. \$15,800.00 from Department of Health, Education, and Welfare, Public Health Service, Grants and Contracts Management Branch, National Institute of Mental Health, Bethesda, Maryland, for Post-doctoral Research Fellowship Award, under the direction of Department of Anthropology, for period June 25, 1975 through June 24, 1976. (Fellowship No. 1 F32 MH05344-01)
- g. \$6,900.00 from Department of Health, Education, and Welfare, Public Health Service, Grants and Contracts Management Branch, National Institute of Mental Health, Bethesda, Maryland, for Pre-doctoral Research Fellowship Award, under the direction of Department of Sociology, for period June 25, 1975 through June 24, 1976. (Fellowship No. 1 F31 MH05076-01)

TOTAL - Federal Contracts/Grants \$605,035.00

September 5, 1975 meeting, Board of Trustees

III. REPORT OF RESEARCH CONTRACTS, GRANTS, GIFTS, AND AGREEMENTS  
(continued)

E. Office of Business and Administration (continued)

2. State of Ohio Contracts/Grants

- a. \$542,891.43 from State Department of Education, Division of Vocational Education, Columbus, Ohio, for support of teacher education, supervision, instructional materials development, and special services in the programs in Vocational Agriculture, under the direction of the Departments of Agricultural Education and Agricultural Engineering, for period July 1, 1975 through June 30, 1976.
- b. \$232,642.29 from State Department of Education, Division of Vocational Education, Columbus, Ohio, for support of teacher education, supervision, instructional materials development, and special services in the programs in Distributive Education and Guidance Services, under the direction of Academic Faculty of Vocational-Technical Education, for period July 1, 1975 through June 30, 1976.
- c. \$170,584.35 from State Department of Education, Division of Vocational Education, Columbus, Ohio, for support of teacher education, supervision, instructional materials development, and special services in the programs in Vocational Home Economics, under the direction of School of Home Economics, for period July 1, 1975 through June 30, 1976.
- d. \$29,828.00 from State of Ohio, Department of Health, Columbus, Ohio, for Field Service in Speech and Language for Aphasics, under the direction of Department of Communication, for year beginning July 1, 1975.

TOTAL - State of Ohio Contracts/Grants \$975,946.07

3. Industrial and Other Contracts/Grants

- a. \$81,422.00 from Franklin County Program for the Mentally Retarded, Columbus, Ohio, for Adaptive Behavioral Analysis Program, under the direction of Nisonger Center for Mental Retardation, for fiscal year 1976.
- b. \$44,168.00 from Franklin County Program for the Mentally Retarded, Columbus, Ohio, for preschool classes at the Nisonger Center, under the direction of Nisonger Center for Mental Retardation, for period September 1, 1975 through August 31, 1976.



September 5, 1975 meeting, Board of Trustees

III. REPORT OF RESEARCH CONTRACTS, GRANTS, GIFTS, AND AGREEMENTS  
(continued)

E. Office of Business and Administration (continued)

3. Industrial and Other Contracts/Grants (continued)

- c. \$28,638.00 from Milwaukee Public Schools, Milwaukee, Wisconsin, for providing a continuing organizational structure to facilitate the development and implementation of career education in the member school districts in the Alliance for Career Education, under the direction of Center for Vocational Education, effective July 1, 1975. (Contract No. CVE/ACE-106-MPS-75)
- d. \$28,000.00 from Flint Community Schools, Flint, Michigan, for providing a continuing organizational structure to facilitate the development and implementation of career education in the member school districts in the Alliance for Career Education, under the direction of Center for Vocational Education, effective July 1, 1975. (Contract No. CVE/ACE-110-FCS-75)
- e. \$28,000.00 from Madison Public Schools, Madison, Wisconsin, for providing a continuing organizational structure to facilitate the development and implementation of career education in the member school districts in the Alliance for Career Education, under the direction of Center for Vocational Education, effective July 1, 1975. (Contract No. CVE/ACE-108-MPS-75)
- f. \$22,000.00 from City of Columbus, Columbus, Ohio, for providing a management development program for the City of Columbus, working on selected governmental problems, under the direction of College of Administrative Science, Division of Continuing Education, for period July 1, 1975 through June 30, 1976.
- g. \$16,346.00 from Franklin County Program for the Mentally Retarded, Columbus, Ohio, for two early childhood training units at the Nisonger Center, under the direction of Nisonger Center for Mental Retardation, for period September 1, 1975 through August 31, 1976.
- h. \$5,000.00 from The Board of Education, Mansfield City School District, Mansfield, Ohio, for evaluation services, under the direction of Center for Vocational Education, effective August 5, 1975. (Purchase Order No. 11126)

TOTAL - Industrial and Other Contracts/Grants \$253,574.00

September 5, 1975 meeting, Board of Trustees

III. REPORT OF RESEARCH CONTRACTS, GRANTS, GIFTS, AND AGREEMENTS  
(continued)

F. The Ohio State University Research Foundation

1. Federal Research Contracts/Grants

- a. \$821,751.00 from National Endowment for the Humanities, Washington, D. C., for Individualized Instruction in Elementary Foreign Languages, under the direction of College of Humanities, for period January 1, 1976 through December 31, 1979. (Project 4252-A1 - New)
- b. \$159,028.00 from National Endowment for the Humanities, Washington, D. C., for Audio-Tutorial Program in Greek and Roman Civilizations, under the direction of Department of Classics, for period January 1, 1976 through December 31, 1979. (Project 4251-A1 - New)
- c. \$150,000.00 additional funds from Department of the Air Force, Rome Air Development Center (AFSC), Griffiss Air Force Base, New York, for Advanced TDMA Techniques, under the direction of ElectroScience Laboratory. (Project 4116-A1 - Mod. #P00001)
- d. \$125,500.00 from National Science Foundation, Washington, D. C., for Productivity Measurement Systems for Administrative Computing and Information Services, under the direction of Department of Industrial and Systems Engineering, for period October 1, 1975 through March 31, 1977. (Project 4236-A1 - New)
- e. \$120,000.00 from Department of Health, Education, and Welfare, Office of the Assistant Secretary for Planning and Evaluation, Washington, D. C., for Feasibility of Standardized Determination of Disability and Long-Term Care, under the direction of Mershon Center for Education in National Security, for period July 1, 1975 through June 30, 1976. (Project 3968-A2 - Ext. #1)
- f. \$80,554.00 from Department of Health, Education, and Welfare, Public Health Service, National Institutes of Health, National Heart and Lung Institute, Bethesda, Maryland, for Clinical-Pathologic Studies of Sudden Cardiac Death, under the direction of Department of Preventive Medicine, for period June 30, 1975 through June 29, 1976. (Project 4234-A1 - New)
- g. \$63,473.00 from Department of the Army, Defense Supply Service, Washington, D. C., for The Utilization of the Behavioral Sciences in Long-Range Forecasting and Policy Planning, under the direction of Department of Political Science, for period January 1, 1973 through June 30, 1976. (Project 3527-A1 - Mod. #P00004)

September 5, 1975 meeting, Board of Trustees

III. REPORT OF RESEARCH CONTRACTS, GRANTS, GIFTS, AND AGREEMENTS  
(continued)

F. The Ohio State University Research Foundation (continued)

1. Federal Research Contracts/Grants (continued)

- h. \$55,000.00 from Department of Health, Education, and Welfare, Office of the Secretary, Office of Human Development, Rehabilitation Services Administration, Washington, D. C., for Service Organization and Clients, under the direction of Mershon Center for Education in National Security, for period July 1, 1974 through June 30, 1976. (Project 3269-A4 - Amend. #2)
- i. \$52,265.00 from National Aeronautics and Space Administration, Ames Research Center, Moffett Field, California, for A Tactual Display Aid for Primary Flight Training, under the direction of Department of Aviation, for period July 1, 1975 through June 30, 1976. (Project 4211-A1 - New)
- j. \$39,302.00 from Department of the Army, U. S. Army Medical Research and Development Command, Washington, D. C., for Isolation and Characterization of Plasmodial and Babesial Antigens, under the direction of Department of Microbiology, for period December 1, 1971 through June 30, 1976. (Project 3365-A1 - Mod. #P-607)
- k. \$38,671.00 additional funds from Department of the Air Force, Air Force Systems Command, Aeronautical Systems Division, Wright-Patterson Air Force Base, Ohio, for Research on Investigation of the Boundary Layer Behavior on Turbine Airfoils - (Gas Turbine Transpiration Cooling Research), under the direction of Department of Mechanical Engineering. (Project 4174-A1 - Mod. #P00001)
- l. \$35,000.00 from Department of the Air Force, Air Force Systems Command, Aeronautical Systems Division, Wright-Patterson Air Force Base, Ohio, for Advanced Two-Phase Flow Investigation Including Flow Diagnostics, under the direction of Department of Aeronautical and Astronautical Engineering, for period July 1, 1975 through June 30, 1976. (Project 4218-A1 - New)
- m. \$33,440.00 from Department of Health, Education, and Welfare, Public Health Service, National Institutes of Health, National Heart and Lung Institute, Bethesda, Maryland, for New Spectral Probes in Hemolytic Anemias, under the direction of Department of Physiological Chemistry, for period June 30, 1975 through June 30, 1976. (Project 4235-A1 - New)
- n. \$30,000.00 from Department of the Navy, Commander Naval Weapons Center, China Lake, California, for Electromagnetic Scattering for Composite Surfaces, under the direction of Electro-Science Laboratory, for period June 30, 1975 through February 29, 1976. (Project 4229-A1 - New)

September 5, 1975 meeting, Board of Trustees

III. REPORT OF RESEARCH CONTRACTS, GRANTS, GIFTS, AND AGREEMENTS  
(continued)

F. The Ohio State University Research Foundation (continued)

1. Federal Research Contracts/Grants (continued)

- o. \$29,999.00 from Department of the Navy, Naval Air Development Center, Warminster, Pennsylvania, for On-Aircraft Antennas under the direction of ElectroScience Laboratory, for period June 26, 1974 through December 25, 1975. (Project 3973-A1 - Mod. #P00003)
- p. \$25,962.00 from Department of Health, Education, and Welfare, Public Health Service, Alcohol, Drug Abuse and Mental Health Administration, National Institute on Drug Abuse, Rockville, Maryland, for The Transfer of Opiate Tolerance and Dependence, under the direction of College of Pharmacy, for period June 27, 1975 through May 31, 1976. (Project 4233-A1 - New)
- q. \$24,986.00 from Department of the Air Force, Air Force Systems Command, Aeronautical Systems Division, Wright-Patterson Air Force Base, Ohio, for RCS Reduction Studies, under the direction of ElectroScience Laboratory, for period March 15, 1973 through January 2, 1976. (Project 3622-A1 - Mod. #P00004)
- r. \$18,622.00 additional funds from Department of the Air Force, Rome Air Development Center (AFSC), Griffiss Air Force Base, New York, for Antenna Mathematical Modeling (GTD), under the direction of Department of Electrical Engineering. (Project 4066-A1 - Mod. #P00002)
- s. \$16,100.00 from National Science Foundation, Washington, D. C., for Electrotransport and Diffusion in Metals, under the direction of Department of Metallurgical Engineering, for period September 15, 1973 through February 29, 1976. (Project 3805-A1 - Mod. #A01)
- t. \$15,000.00 additional funds from Department of the Air Force, Air Force Systems Command, Aeronautical Systems Division, Wright-Patterson Air Force Base, Ohio, for Permanent and Temporary Shifts in Hearing Threshold Produced by Exposure to Air Force Noise, under the direction of Department of Otolaryngology. (Project 3873-A1 - Mod. #P00002)
- u. \$12,810.00 additional funds from Department of the Air Force, Air Force Systems Command, Aeronautical Systems Division, Wright-Patterson Air Force Base, Ohio, for Nuclear Magnetic Resonance Investigation of Electron Damage in L1 Doped Silicon, under the direction of Department of Physics. (Project 3909-A1 - Mod. #P00003)

III. REPORT OF RESEARCH CONTRACTS, GRANTS, GIFTS, AND AGREEMENTS  
(continued)

F. The Ohio State University Research Foundation (continued)

1. Federal Research Contracts/Grants (continued)

- v. \$6,090.00 additional funds from Department of the Navy, Office of Naval Research, Arlington, Virginia, for Defense Cost and Price Analysis Course, under the direction of College of Administrative Science, Division of Continuing Education. (Project 4078-A1 - Mod. #P00001)
- w. \$5,000.00 from Department of the Air Force, Air Force Systems Command, Electronic Systems Division, Hanscom Air Force Base, Massachusetts, for Study of Gyro-Synchrotron Emission in the Solar Atmosphere and of Time-Dependent Characteristics of Microwave Bursts, under the direction of Department of Electrical Engineering, for period October 1, 1972 through September 30, 1975. (Project 3522-A1 - Mod. #P00003)
- x. \$1,012.50 from U. S. Civil Service Commission, Washington, D. C., for Intergovernmental Training Program - Various Courses, under the direction of College of Administrative Science, Division of Continuing Education, for period February 3, 1975 through June 13, 1975. (Project 4033-J1 - Sponsor Letter Dated June 2, 1975)
- y. \$960.00 additional funds from Department of the Navy, Office of Naval Research, Arlington, Virginia, for Defense Two-Step Formal Advertising and Multi-Year Procurement Course, under the direction of College of Administrative Science, Division of Continuing Education. (Project 4082-A1 - Mod. #P00002)
- z. \$840.00 additional funds from Department of the Navy, Office of Naval Research, Arlington, Virginia, for Defense Contract Law Course, under the direction of College of Administrative Science, Division of Continuing Education. (Project 4077-A1 - Mod. #P00001)
- aa. \$500.00 from Department of Transportation, Federal Highway Administration, Washington, D. C., for Field Test and Evaluation Center for Eastern States, under the direction of Engineering Experiment Station, for period September 1, 1972 through December 31, 1975. (Project 3535-A1 - Mod. #13)
- bb. \$300.00 additional funds from Department of the Navy, Office of Naval Research, Arlington, Virginia, for Defense Termination Settlement Course, under the direction of College of Administrative Science, Division of Continuing Education. (Project 4081-A1 - Mod. #P00001)

TOTAL - Federal Research Contracts/Grants \$1,962,165.50

September 5, 1975 meeting, Board of Trustees

III. REPORT OF RESEARCH CONTRACTS, GRANTS, GIFTS, AND AGREEMENTS  
(continued)

F. The Ohio State University Research Foundation (continued)

2. State of Ohio Research Contracts/Grants

- a. \$74,816.00 from State of Ohio, Department of Health, Columbus, Ohio, for Care of the High-Risk Mother and Infant, under the direction of Department of Pediatrics, for period July 1, 1975 through June 30, 1976. (Project 4100-A2 - Ext. #2)
- b. \$14,470.00 from Ohio Department of Mental Health and Retardation, Columbus, Ohio, for The Child Batterer: An Exploration Into Socialization, under the direction of Department of Sociology, for period July 1, 1975 through May 31, 1976. (Project 4202-A2 - Ext. #2)
- c. \$7,465.00 from Ohio Department of Mental Health and Retardation, Columbus, Ohio, for Monitoring of Community Concerns and Resources, under the direction of School of Nursing, for period August 1, 1975 through January 31, 1976. (Project 3802-A3 - Ext. #2)
- d. \$2,250.00 from Ohio Department of Health, Columbus, Ohio, for Development of Materials for an Educational Program for Preceptors of Nursing Home Administrators in Training Internship, under the direction of College of Administrative Science, Division of Continuing Education, for period July 1, 1975 through August 31, 1975. (Project 4241-A1 - New)

TOTAL - State of Ohio Research Contracts/Grants - \$99,001.00

3. Industrial, Private, and Other Non-Federal Research Contracts/Grants

- a. \$27,416.00 from Upjohn Company, Kalamazoo, Michigan, for Corticosteroids in Acute Myocardial Infarction, under the direction of Department of Medicine, for period July 1, 1975 through June 30, 1976. (Project 4228-A1 - New)
- b. \$23,300.00 from World Health Organization, Geneva, Switzerland, for Studies of the Antifertility Effects of Baboons with a Placental Specific Protein, under the direction of Department of Obstetrics and Gynecology, for period July 1, 1975 through June 30, 1976. (Project 4240-A1 - New)
- c. \$15,000.00 from The White Brothers Sand, Incorporated, Toledo, Ohio, for Environmental Import Assessment of Proposed Commercial Sand and Gravel Dredging in Maumee River and Bay, under the direction of College of Biological Sciences, for period July 1, 1975 through June 30, 1976. (Project 4237-A1 - New)

III. REPORT OF RESEARCH CONTRACTS, GRANTS, GIFTS, AND AGREEMENTS  
(continued)

F. The Ohio State University Research Foundation (continued)

3. Industrial, Private, and Other Non-Federal  
Research Contracts/Grants (continued)

- d. \$13,400.00 from Virginia Polytechnic Institute and State University, Blacksburg, Virginia, for Investigation of Oil Persistence in Tundra and Its Impact on the Below Ground Arctic Ecosystem, under the direction of Institute of Polar Studies, for period June 1, 1975 through May 31, 1976. (Project 4204-A1 - New)
- e. \$10,028.00 from Temple University, Philadelphia, Pennsylvania, for Examining the Work Attitudes and Labor Market Experience of American Workers, under the direction of Academic Faculty of Management Science, for period July 1, 1975 through August 31, 1975. (Project 4231-A1 - New)
- f. \$9,958.00 additional funds from Leukemia Society of America, New York, New York, for Metabolic Characteristics of the Cellular Immune Response, under the direction of Department of Medicine. (Project 3706-A1 - Letter of July 1, 1975)
- g. \$6,600.00 from University of Pittsburgh, Pittsburgh, Pennsylvania, for Study of Treatment of Primary Breast Cancer, under the direction of Department of Surgery, for period July 1, 1975 through June 30, 1976. (Project 3639-A4 - Ext. #3)
- h. \$6,000.00 from American Cancer Society, Ohio Division, Franklin County, Columbus, Ohio, for Immuno-Protection of Guinea Pig L<sub>2</sub>C Leukemia, under the direction of Department of Medicine, for period July 1, 1975 through June 30, 1976. (Project 4248-A1 - New)
- i. \$5,940.00 from American Cancer Society, Ohio Division, Franklin County, Columbus, Ohio, for In Vitro Lymphocyte-Mediated Cytotoxicity of Solid Tumors, under the direction of Department of Microbiology, for period July 1, 1975 through June 30, 1976. (Project 4239-A1 - New)
- j. \$5,940.00 from American Cancer Society, Ohio Division, Franklin County, Columbus, Ohio, for Prophylaxis and Therapy of Cancer Using Ribosomal Antigens from Tumors and BCG, under the direction of Department of Microbiology, for period July 1, 1975 through June 30, 1976. (Project 4243-A1 - New)
- k. \$4,999.00 from American Cancer Society, Ohio Division, Franklin County, Columbus, Ohio, for New Synthesis of Anthracycline Antitumor Agents, under the direction of Department of Chemistry, for period July 1, 1975 through June 30, 1976. (Project 4238-A1 - New)

September 5, 1975 meeting, Board of Trustees

III. REPORT OF RESEARCH CONTRACTS, GRANTS, GIFTS, AND AGREEMENTS  
(continued)

F. The Ohio State University Research Foundation (continued)

3. Industrial, Private, and Other Non-Federal  
Research Contracts/Grants (continued)

- l. \$3,520.00 from American Cancer Society, Ohio Division, Franklin County, Columbus, Ohio, for Chemical Carcinogenesis of the Chinese Hamster Cheek Pouch Epithelium, under the direction of College of Dentistry, for period July 1, 1975 through June 30, 1976. (Project 4244-A1 - New)
- m. \$3,500.00 from American Diabetes Association, New York, New York, for Study of the Mechanism of External Insulin Action in Fish, under the direction of Department of Zoology, for period July 1, 1975 through June 30, 1976. (Project 4245-A1 - New)
- n. \$3,000.00 from American Cancer Society, Ohio Division, Franklin County, Columbus, Ohio, for Selective Analysis of Pancreatic Secretions in the Diagnosis of Pancreatic Carcinoma, under the direction of Department of Medicine, for period July 1, 1975 through June 30, 1976. (Project 4242-A1 - New)

TOTAL - Industrial, Private, and Other Non-Federal  
Research Contracts/Grants \$138,601.00

G. The Engineering Experiment Station

1. Federal Research Contracts

- a. \$38,911.00 from U. S. Department of the Interior, Washington, D. C., for The Prediction of Nutrient, Oxygen, Algae and Sludge Distributions in a Stratified, Eutrophic Lake, under the direction of Department of Civil Engineering, for period July 1, 1975 through June 30, 1977. (EES 527)
- b. \$35,970.00 from U. S. Department of the Interior, Washington, D. C., for Office of Institute Director: OWRT FY76 Allotment Program, under the direction of the Water Resources Center, for period July 1, 1975 through June 30, 1976. (EES 520)
- c. \$14,311.00 from U. S. Department of the Interior, Washington, D. C., for A New Method for Removing Trace Metals by Adsorption, under the direction of Department of Civil Engineering, for period July 1, 1975 through June 30, 1976. (EES 523)
- d. \$12,299.00 from U. S. Department of the Interior, Washington, D. C., for Transfer of Public Participation, Education, and Communication Technology to Coastal Zone Management Programs, under the direction of Department of Communication, for period July 1, 1975 through June 30, 1976. (EES 526)



III. REPORT OF RESEARCH CONTRACTS, GRANTS, GIFTS, AND AGREEMENTS  
(continued)

G. The Engineering Experiment Station (continued)

1. Federal Research Contracts (continued)

- e. \$11,114.00 from U. S. Department of the Interior, Washington, D. C., for Optimization Methods for Water Supply Reservoir Designs: Development and Case Studies, under the direction of Department of Civil Engineering, for period July 1, 1975 through June 30, 1976. (EES 525)
- f. \$10,000.00 from U. S. Department of the Interior, Washington, D. C., for Methane in Lake Erie: Analysis of Mechanisms of Production and of Amounts Produced, under the direction of Department of Microbiology, for period July 1, 1975 through June 30, 1975. (EES 522)
- g. \$6,520.00 from U. S. Department of the Interior, Washington, D. C., for Simulation Modeling of Tritium Kinetics in a Fresh Water Marsh, under the direction of Department of Zoology, for period July 1, 1975 through June 30, 1976. (EES 521)

TOTAL - Federal Research Contracts \$129,125.00

2. State Research Contracts

- a. \$57,600.00 from Ohio Department of Transportation, Columbus, Ohio, for Study of Pavement Overlay Design, under the direction of Department of Civil Engineering, for period July 1, 1975 through June 30, 1976. (EES 457, Ext. #2)
- b. \$46,750.00 from Ohio Department of Transportation, Columbus, Ohio, for A Statewide Study of Subgrade Soil Support Conditions, under the direction of Department of Civil Engineering, for period June 12, 1975 through June 12, 1976. (EES 518)

TOTAL - State Research Contracts \$104,350.00

3. Industrial and Other Research Contract

- a. \$5,000.00 from Columbia Gas System Service Corporation, Columbus, Ohio, for Participating Industry Research and Development Program in Solar Energy Conversion and Utilization, under the direction of Department of Mechanical Engineering, for period March 14, 1974 through March 13, 1976. (EES 510)

III. REPORT OF RESEARCH CONTRACTS, GRANTS, GIFTS, AND AGREEMENTS

(continued)

H. The Ohio State University Development Fund

1. Gifts of \$5,000 or More

- a. \$37,434.22 from The Associates of Medicine, Columbus, Ohio--\$37,130.66 for support of the Department of Medicine General Fund and \$303.56 for the Cardiology Research Fund.
- b. \$25,598.00 from The Bremer Foundation, Youngstown, Ohio, for the College of Medicine.
- c. \$25,000.00 from The International Nickel Company of Canada, Limited, New York, New York, for their Professorship in Corrosion Science and Engineering.
- d. \$14,367.60 from The Racing Research Fund, Inc., Lexington, Kentucky, for the Dean of the College of Veterinary Medicine's education and research fund.
- e. \$11,650.00 from Mansfield O. S. U. Campus Fund, Mansfield University Foundation, Inc., Mansfield, Ohio--\$10,000.00 for their scholarship fund and \$1,650.00 for their campus support fund.
- f. \$9,000.00 from Central Ohio Lung Association, Columbus, Ohio, for a fellowship fund in the Department of Medicine.
- g. \$8,500.00 from Ohio Turfgrass Foundation, Columbus, Ohio, for research in the Department of Agronomy.
- h. \$8,000.00 from The Merck Company Foundation, Rahway, New Jersey, for a new project in the Department of Chemistry.
- i. \$7,000.00 from Wolfe Associates, Inc., Columbus, Ohio, for the University Activities Center.
- j. \$5,000.00 from George F. Lonz Foundation, Middle Bass, Ohio, for support of the Department of Horticulture's program in enology and viticulture.
- k. \$5,000.00 from Ralph L. McGean (given in the name of John D. Drinko, Cleveland, Ohio), for a scholarship fund in the College of Law.

2. Establishment of Named Funds

- a. \$5,000.00 from the Estate of Adolph E. Waller for the establishment of The Adolph E. Waller Memorial Lectures.

III. REPORT OF RESEARCH CONTRACTS, GRANTS, GIFTS, AND AGREEMENTS  
(continued)

H. The Ohio State University Development Fund (continued)

2. Establishment of Named Funds (continued)

The Adolph E. Waller Memorial Lectures

The Adolph E. Waller Memorial Lectures was established September 5, 1975, by the Board of Trustees of The Ohio State University through The Ohio State University Development Fund from the Estate of Adolph E. Waller, M.S. '16, Ph.D. '18, late of Columbus, Ohio, Professor Emeritus and former faculty member in the Department of Botany.

The gift is to be invested in the University's Permanent Endowment Fund, under the rules and regulations adopted by the Board of Trustees of The Ohio State University, with the right to invest and reinvest as occasion dictates.

The annual income is to be used to defray the costs of one or more lectures each year in the field of plant sciences. The lectures shall be open to the public but shall be of scientific rather than of general interest.

If the sponsorship of such lectures is found to be impracticable or impossible, the Board of Trustees of The Ohio State University may modify the above requests or may use the income of the fund for other purposes related to the study of plant sciences.

- b. \$3,000.00 from the Estate of Florence B. Allen, Instructor Emeritus at The Ohio State University Mansfield Campus, for the establishment of The Florence B. Allen Poetry Awards Fund.

The Florence B. Allen Poetry Awards Fund

The Florence B. Allen Poetry Awards Fund was established September 5, 1975, by the Board of Trustees of The Ohio State University through The Ohio State University Development Fund with a bequest from Florence B. Allen, Instructor Emeritus at The Ohio State University Mansfield Campus.

All gifts are to be invested in the University's Permanent Endowment Fund, under the rules and regulations adopted by the Board of Trustees of The Ohio State University, with the right to invest and reinvest as occasion dictates.

III. REPORT OF RESEARCH CONTRACTS, GRANTS, GIFTS, AND AGREEMENTS  
(continued)

H. The Ohio State University Development Fund (continued)

2. Establishment of Named Funds (continued)

b. The Florence B. Allen Poetry Awards Fund (continued)

The annual income is to be used by the Director of the Mansfield Campus to fund the annual poetry awards which will amount to approximately \$150 per year. Excess income will be reinvested and additional awards may be funded at such time as sufficient additional income is generated to support an expanded program. The selection of the recipient is to be made upon the recommendation of the English Faculty of the Mansfield Campus and approved by the Campus Director.

Should the need for these awards cease to exist or so diminish as to provide unused income, then the income may be used for any purpose whatsoever as determined by the Board of Trustees, with preference being given to recommendations from the Director of The Ohio State University Mansfield Campus.

\*

\*

\*

IV. BUSINESS AND ADMINISTRATION

A. Architects or Engineers

1. Mansfield Campus, Physical Education Building, Phase V

President Enarson recommended that the firm of Marr, Knapp & Crawfis of Mansfield, Ohio, be employed to provide complete architectural and engineering services for this project, including preliminary plans, basic drawings, working drawings, specifications, estimate of cost, architectural rendering, necessary bidding documents and supervision of construction.

This project will provide a new building to the northeast of Ovalwood Hall. The facilities are to be used jointly by North Central Technical College and The Ohio State University.

The new building will provide approximately 16,000 square feet of space for physical education. The facilities will include a gymnasium, locker, shower, dressing rooms, gymnasium lobby, and attendant services spaces.

The project will also include a new (second) campus entrance road to provide improved access from the north and west, and additional surface parking for approximately 480 vehicles.

The fee for this service will be negotiated between the firm and the Department of Administrative Services, Division of Public Works. The total project cost is \$1,950,000.00.

September 5, 1975 meeting, Board of Trustees

IV. BUSINESS AND ADMINISTRATION (continued)

A. Architects or Engineers (continued)

1. Mansfield Campus, Physical Education Building, Phase V (continued)

Funds for this service have been provided from H. B. 687, Item 315-098 (Mansfield Campus, Physical Education Building, Phase V).

2. Mansfield Campus, Physical Education Building, Phase V (Learning Resources Center and Technical Education Laboratory)

The Program of Requirements for this project provides for additions to the Technical Education Laboratory and Learning Resources Center which are currently under construction as Phase IV on the Mansfield Campus. Therefore, it was recommended that the additional work for the Learning Resources Center and Technical Education Laboratory be assigned to the architectural firm of Zaugg, Olinger, Zaugg which were approved at the March 1974 meeting of the Board of Trustees for the architectural services on the Phase IV project.

These services are to include preliminary plans, basic drawings, working drawings, specifications, estimate of cost, necessary bidding documents, and complete supervision of construction.

The fee for this service will be negotiated between the firm and the Department of Administrative Services, Division of Public Works. The total estimated construction cost is \$600,000.00 which is a part of the total project cost of \$1,950,000.00 for Mansfield Campus, Physical Education Building, Phase V.

Funds for this service have been provided from H. B. 687, Item 315-098 (Mansfield Campus, Physical Education Building, Phase V).

3. Clinical Medical Sciences Education Facility, Phase II

President Enarson recommended that the firm of Page Southerland Page, Austin, Texas, be employed to provide additional architectural and engineering services for this project including preliminary plans, basic drawings, specifications, estimate of cost, necessary bidding documents, architectural renderings, and complete supervision of construction.

This architectural firm was initially approved by the Board at the June 4, 1971 meeting for similar services outlined for a \$38,000,000.00 project. At the December 7, 1973 meeting those services were continued, but the project was limited to \$10,000,000.00. Subsequently, \$2,707,018.00 was made available from the Department of Health, Education and Welfare with bids being taken for a \$12,707,018.00 project and contracts for construction were approved by the Board on May 2, 1975, for the project known as "Clinical Medical Sciences Education Facility (Supporting Services Phase)."

September 5, 1975 meeting, Board of Trustees

IV. BUSINESS AND ADMINISTRATION (continued)

A. Architects or Engineers (continued)

3. Clinical Medical Sciences Education Facility, Phase II (continued)

Phase II is a vertical continuation of the project now under construction. This project will consist of the ancillary and support services which will be located on the fourth and fifth floors, a new clinical classroom, and 362 patient beds with their associated support facilities.

The fee for this service will be negotiated between the firm and the Department of Administrative Services, Division of Public Works. The total project is estimated to be \$28,000,000.00.

Funds for this service have been provided from H. B. 687, Item 315-094 (Clinical Medical Sciences Education Facility, Phase II).

Upon motion of Mr. Harrod, seconded by Mr. Safford, the above recommendations were approved by unanimous roll call vote.

B. Plans and Specifications

At the request of the Vice President for Business and Administration, President Enarson recommended that the plans and specifications, bills of material, and estimates of cost for the following project be approved by the Board of Trustees:

1. Eleventh Avenue Parking Ramp

This project will provide a parking ramp for approximately 650 vehicles. The ramp will be located east of Neil Avenue on the south side of Eleventh Avenue.

Funds are budgeted in Budget Account 801316 (Eleventh Avenue Parking Ramp).

Upon motion of Mr. Safford, seconded by Mr. Gushman, the above recommendation was approved by unanimous roll call vote, and the Secretary was authorized and directed to sign the plans and specifications for the above project for and on behalf of the Board of Trustees. The Vice President for Business and Administration was directed to proceed with the request for bids in the normal University manner, and if satisfactory bids are received to proceed with the award of contracts. All action regarding this matter will be reported to the Board of Trustees at a later meeting.

C. Report of Award of Contracts

In accordance with authorization provided by the Board of Trustees, bids were taken on the projects listed below and the contracts were recommended for award. The action reported to the Board was as follows:

September 5, 1975 meeting, Board of Trustees

IV. BUSINESS AND ADMINISTRATION (continued)

C. Report of Award of Contracts (continued)

1. Polo Field Parking Lot Expansion

	<u>Low Bid</u>	<u>Est. of Cost</u>
<u>General Contract</u>		
(5 bids received 7-22-75)		
George J. Igel & Co., Inc. (Columbus)		
Base bid	\$ 70,760.00	\$142,000.00
Alt. G-1 Addition of asphalt concrete	+ 11,400.00	+ 16,372.00
Alt. G-2 Aggregate base	+ 6,000.00	+ 10,235.00
 Total Contract	 <u>\$ 88,160.00</u>	 <u>\$168,607.00</u>
 <u>Electrical Contract</u>		
(4 bids received 7-22-75)		
Electric Power Equipment Co. (Columbus)		
	\$ 63,925.00	\$ 85,017.00
 <u>Total All Contracts</u>	 <u>\$152,085.00*</u>	 <u>\$253,624.00*</u>

\*The quality of base and paving and the final elevation of the slab were modified as an economy measure after the original estimate was made. This is reflected in the difference in cost from the estimate to contract prices.

Funds for this project have been provided from Budget Account 921300 (Parking Rotary) and Budget Account 801311 (Lighting Intramural and Recreational Fields).

2. Means Hall--Renovation of Second Floor East

	<u>Low Bid</u>	<u>Est. of Cost</u>
<u>General Contract</u>		
(8 bids received 7-17-75)		
Waller & Lund, Inc. (Columbus)		
	\$ 20,830.00	\$ 21,764.00
 <u>Plumbing Contract</u>		
(4 bids received 7-17-75)		
R. H. Reeb Piping & Heating Co. (Columbus)		
	\$ 11,457.00	\$ 14,813.00
 <u>Heating, Ventilating and Air Conditioning Contract</u>		
(6 bids received 7-17-75)		
J. A. Guy, Inc. (Dublin, Ohio)		
	\$ 15,000.00	\$ 28,278.00

September 5, 1975 meeting, Board of Trustees

IV. BUSINESS AND ADMINISTRATION (continued)

C. Report of Award of Contracts (continued)

2. Means Hall--Renovation of Second Floor East (continued)

	<u>Low Bid</u>	<u>Est. of Cost</u>
<u>Electrical Contract</u> (7 bids received 7-17-75)		
Smith Electric (Columbus)	\$ 4,811.00	\$ 13,098.00
<u>Total All Contracts</u>	<u>\$ 52,098.00</u>	<u>\$ 77,953.00</u>

Funds for this project have been provided from Budget Account 801309 (Means Hall - Intensive Care).

Upon motion of Mr. Devenow, seconded by Mr. Harrod, the above award of contracts and expenditure of funds were approved and the action of the Vice President for Business and Administration was ratified by unanimous roll call vote.

D. Other

1. Lease of Site for Federal Aviation Administration  
Outer Marker--DOT-FA75GL-0870

The Federal Aviation Administration has formally requested to lease .051 acre of land at the southeast corner of Veterinary Clinic Road and Campus Loop Road (West Campus). The purpose of this request is to install an Outer Marker Signalling Transmitter to service Runway 10R Columbus City Airport (Port Columbus). (See pages 201-207.)

President Enarson recommended that the Secretary of the Board of Trustees be authorized to act on behalf of the University in executing the necessary legal instruments to provide for the lease.

Upon motion of Mr. Devenow, seconded by Mr. Safford, the above recommendation was approved by unanimous roll call vote.

E. Report of Controlling Board Actions Pertaining  
to The Ohio State University

- 1 Approves the purchase of Lot #21, University Heights Addition, more commonly known as 201 West Eleventh Avenue, Columbus, Franklin County, Ohio, in the amount of \$37,500.00 from General University Funds.
- 2 Approves the purchase of Lot #25, University Heights Addition, more commonly known as 221 West Eleventh Avenue, Columbus, Franklin County, Ohio, in the amount of \$56,500.00 from General University Funds.



DEPARTMENT OF TRANSPORTATION  
FEDERAL AVIATION ADMINISTRATION  
Great Lakes Region  
2300 E. Devon Avenue  
Des Plaines, Illinois 60018

Lease No.: DOT-FA75GL-0870  
Outer Marker, Runway 10R  
Port Columbus, Ohio  
International Airport

## LEASE

between

THE OHIO STATE UNIVERSITY

and

THE UNITED STATES OF AMERICA

This LEASE, made and entered into this \_\_\_\_\_ day of \_\_\_\_\_  
in the year one thousand nine hundred and seventy-five  
by and between The Ohio State University  
957 Lincoln Tower  
whose address is 1800 Cannon Drive  
Columbus, Ohio

for itself and its ~~heirs, executors, administrators,~~ successors, and assigns, hereinafter called the lessor, and the UNITED STATES OF AMERICA, hereinafter called the Government:

WITNESSETH: The parties hereto for the consideration hereinafter mentioned covenant and agree as follows:

1. For the term beginning July 1, 1975 and ending June 30, 1976, the lessor hereby leases to the Government the following described property, hereinafter called the premises, viz: (Main Campus)

In the Central Academic Area of Ohio State University and more particularly from the southwest Brick Exterior Corner of the Greenhouse Headhouse, proceed: S-46-30'-W, 202.5' to the iron stake in the Paddock Fence Line, which is the Point of Beginning (P.O.B.), thence West Parallel to the Veterinary Clinic Road (V.C.R.) 4', thence North 36.2', thence East 26', thence North 10.5', thence East 9', thence North 10.5' to V.C.R., thence West 50' parallel to V.C.R., thence, South 10.5', thence East 9', thence South 46.7', thence West 28.6' parallel to V.C.R. to an iron stake, thence South 40' to an iron stake, thence East 18.7' to the existing paddock fence, thence NE with existing arc on the line of the paddock fence to the P.O.B. (Corresponding Cord-N-26-27'-E, 44.7' to the P.O.B.)  
The tract contains approximately 2,200sq. ft., .051 acres.

a. Together with a right-of-way for ingress to and egress from the premises; a right-of-way or rights-of-way for establishing and maintaining ~~a pole line or pole lines~~ for extending electric power, and telecommunications facilities to the premises; and right-of-way for subsurface power, communication and water lines to the premises; all rights-of-way to be over the said lands and adjoining lands of the lessor, and unless herein described by metes and bounds, to be by routes reasonably determined to be the most convenient to the Government.

b. And the right of grading, conditioning, and installing drainage facilities, and seeding the soil of the premises, and the removal of all obstructions from the premises which may constitute a hindrance to the establishment and maintenance of air navigation and telecommunications facilities.

c. And the right to make alterations, attach fixtures, and erect additions, structures, or signs, in or upon the premises hereby leased, which fixtures, additions, or structures so placed in or upon, or attached to the said premises shall be and remain the property of the Government, and may be removed upon the effective date of termination of this lease, or within 90 days thereafter, by or on behalf of the Government, or its grantees, or purchasers of said fixtures, additions, structures, or signs.

~~2. This lease may, at the option of the Government, be renewed from year to year and otherwise upon the terms and conditions herein specified. The Government's option shall be deemed exercised and the lease renewed each year for 1 year unless the Government gives the lessor 30 days written notice that it will not exercise its option before this lease or any renewal thereof expires; PROVIDED, that no renewal thereof shall extend the period of occupancy of the premises beyond September 30, 19 90 ; AND PROVIDED FURTHER, that adequate appropriations are available from year to year for the payment of rentals.~~

~~3. The Government shall pay the lessor for the premises~~

~~for the term set forth in Article 1 above, and (\$ )~~

~~(\$ ) per year for each annual renewal exercised by the Government hereafter. Payments shall be made in arrears at the end of each without the submission of invoices or vouchers.~~

Either party hereto

4. ~~The Government~~ may terminate this lease, in whole or in part, at any time by giving thirty (30) days notice in writing to the ~~lessor~~ <sup>other party</sup>, and no rental shall accrue after the effective date of termination. Said notice shall be computed commencing with the day after the date of mailing.

5. No Member of Congress or Resident Commissioner shall be admitted to any share or part of this lease, or to any benefit to arise therefrom. Nothing, however, herein contained, shall be construed to extend to any incorporated company if the lease be for the general benefit of such corporation or company.

6. The lessor warrants that no person or selling agency has been employed or retained to solicit or secure this lease upon an agreement or understanding for a commission, brokerage, percentage or contingent fee, except bona fide employees or bona fide established commercial or selling agencies maintained by the lessor for the purpose of securing business. For breach or violation of this warranty, the Government shall have the right to annul this lease without liability, or in its discretion to deduct from the contract price or consideration, the full amount of such commissions, brokerage, percentage, or contingent fee.

7. The Government shall surrender possession of the premises upon the expiration or the effective date of termination of this lease. If the lessor, by written notice at least fifteen (15) days before the expiration or the effective date of termination requests restoration of the premises, the Government at its option shall within ninety (90) days thereafter, or within such additional time as may be mutually agreed upon, either (1) restore the premises to as good condition as that existing at the time of the Government's entering upon the premises under this lease (changes to the premises in accordance with paragraph 1 above, ordinary wear and tear, damage by natural elements and by circumstances over which the Government has no control, excepted) or (2) make an equitable adjustment in the lease amount for the cost of such restoration of the premises or the diminution of the value of the premises if unrestored, whichever is less. Should a mutually acceptable settlement be made hereunder, the parties shall enter into a supplemental agreement hereto effecting such agreement. Failure to agree to any such equitable adjustment shall be a dispute concerning a question of fact within the meaning of Clause 8 of this lease.

8. (a) Except as otherwise provided in this contract, any dispute concerning a question of fact arising under this contract which is not disposed of by agreement shall be decided by the Contracting Officer, who shall reduce his decision to writing and mail or otherwise furnish a copy thereof to the lessor. The decision of the Contracting Officer shall be final and conclusive unless within 30 days from the date of receipt of such copy, the lessor mails or otherwise furnishes to the Contracting Officer a written appeal addressed to the Secretary, Department of Transportation. The decision of the Secretary or his duly authorized representative for the determination of such appeals shall be final and conclusive unless determined by a court of competent jurisdiction to have been fraudulent, or capricious, or arbitrary, or so grossly erroneous as necessarily to imply bad faith, or not supported by substantial evidence. In connection with any appeal proceeding under this clause, the lessor shall be afforded an opportunity to be heard and to offer evidence in support of its appeal. Pending final decision of a dispute hereunder, the lessor shall proceed diligently with the performance of the contract and in accordance with the Contracting Officer's decision.

(b) This "Disputes" clause does not preclude consideration of law questions in connection with decisions provided for in paragraph (a) above: *Provided*, That nothing in this contract shall be construed as making final the decision of any administrative official, representative, or board on a question of law.

9. This lease is subject to the additional provisions set forth below, which are made a part hereof, and identified as follows:

See Attachment "A", containing Articles 10 through 16, and a Corporate Certificate which are attached hereto and made a part hereof.

IN WITNESS WHEREOF, the parties hereto have hereunto subscribed their names as of the date first above written.

As the holder of a mortgage, dated \_\_\_\_\_

\_\_\_\_\_, recorded in Liber

\_\_\_\_\_, pages \_\_\_\_\_, against the above-described premises, the undersigned hereby consents to the foregoing lease and agrees that, if while the lease is in force the mortgage is foreclosed, the foreclosure shall not void the lease.

(Mortgages)

\_\_\_\_\_  
(Lessor)

\_\_\_\_\_  
(Lessor)

\_\_\_\_\_  
(Lessor)

\_\_\_\_\_  
(Lessor)

\_\_\_\_\_  
(Lessor)

THE UNITED STATES OF AMERICA

By \_\_\_\_\_ ROBERT J. PUCCI

Title \_\_\_\_\_ Realty Specialist

(Notary Seal)

Prepared by:

Robert J. Puoci  
Federal Aviation Administration  
Des Plaines, Illinois 60018

ATTACHMENT "A" TO LEASE NO. DOT-FA75GL-0870

The additional provisions set forth in this Attachment by the parties hereto and made a part hereof are as follows:

10. The Government (Lessee), at its expense, will correct any interference with the Motorola radio communications system and other facilities such as the Telecommunications Center, the Department of Electrical Engineering, the Department of Physics, and the Ohio Educational Television Network.
11. The Lessor shall provide the source of electric power to the leased premises by providing a construction right of way from the Veterinary Clinic to the Lessee's premises. This right of way and source of power is granted with the understanding that the OSU Physical Facilities office will meter and bill the Lessee quarterly for energy used. The Lessee's contractor will notify the OSU Physical Facilities two weeks prior to the commencement of construction and installation of power cables, OSU Physical Facilities will supervise the construction to insure that it is on the line and to the grade and within the right of way contained in the attached drawing.
12. The Lessor shall be responsible for snow and ice removal in parking area and walkways, and the Lessor shall determine timing and priority for snow and ice removal.
13. The initial term of this lease shall be as stated in Article 1. Subsequent terms, if the renewal terms of Article 14 are exercised, are: (1) July 1, 1976, through September 30, 1976; (2) October 1, 1976, through September 30, 1977; (3) and thereafter from October 1 through September 30 of each succeeding fiscal year,\*
14. If all other terms and conditions of this Lease have been complied with and this Lease is in full force and effect, and if the Lessee shall notify the Lessor in writing sixty (60) days prior to the expiration of the original term of this Lease of its intention to do so, the Lessee is hereby granted an option to renew this Lease for additional one-year periods on such terms and conditions as the parties hereto may hereafter determine; provided, however, that the exercise of such renewal option by Lessee shall not be effective unless the parties hereto agree upon the terms and conditions of this Lease during such renewal term at least thirty (30) days prior to the commencement of such renewal term.

\* Provided, that no renewal thereof shall extend the period of occupancy of the premises beyond September 30, 1990; and provided further, that adequate appropriations are available from year to year for the payment of rentals.

ATTACHMENT "A"

Page 2

15. Lessee hereby covenants and agrees to pay to the Lessor, in consideration for the term of this Lease an annual rental of five hundred ten dollars (\$510.00) payable at the end of each quarter in equal installments of one hundred twenty seven dollars and fifty cents (\$127.50) each for the full term of this Lease.

All payments shall be delivered to Lessor, c/o The Property Management Division, 957 Lincoln Tower, 1800 Cannon Drive, Columbus, Ohio 43210, or at such other place as Lessor may designate in writing.

16. Certain words on Page 1, "heirs, executors, administrators," have been deleted. In Article 1, Paragraph (a.) of this Lease, the words "a pole line, ", "pole lines," and "and water lines" have been deleted. Articles 2 and 3 have been deleted. In Article 4 the words "The Government" have been replaced by the words "Either party hereto" and the word "lessor" has been replaced by the words "other party". Attachment "A", containing Articles 10 through 16, and the Certificate have been added to and made a part of this Lease. All additions and deletions were made prior to the execution of this Lease by all parties.

DEPARTMENT OF TRANSPORTATION  
FEDERAL AVIATION ADMINISTRATION

Contract No. \_\_\_\_\_

**ELECTRIC SERVICE SPECIFICATIONS**

**INSTRUCTIONS:** Item nos. 1, 2, 3, and 4 shall be completed by the FAA and Item no. 5 by the Electric Power Supplier. Item 6 may be completed by either party.

1. Premises to be served Outer Marker, Runway 10R of Port Columbus  
International Airport, Columbus, Ohio.

2. Estimated Service Requirements:

Estimated maximum demand: 7 KW

Estimated monthly consumption: 700 KWH

(The Government is in no way obligated to use nor is it restricted to the above estimated requirements.)

3. Point of delivery: The point of delivery shall be: Loadside of electric meter. See enclosed site Dwg. GL-D-6647-4.

4. Description of Electric Service. The Electric Power Supplier will furnish \_\_\_\_\_  
single phase 2 wire, 60 Hertz, alternating current at 120/208 volts.

5. Metering and billing. Service will be measured at \_\_\_\_\_  
volts by \_\_\_\_\_ watt hour meter(s) and \_\_\_\_\_  
demand meter(s).

6. Alterations and Additions.

The source of power is located within the Veterinary Hospital at Ohio State University.

September 5, 1975 meeting, Board of Trustees

IV. BUSINESS AND ADMINISTRATION (continued)

E. Report of Controlling Board Actions Pertaining to The Ohio State University (continued)

- 3 Approves the purchase of Lot #51, more commonly known as 167 West Tenth Avenue, Columbus, Franklin County, Ohio, in the amount of \$24,000.00 from General University Funds.

\*

\*

\*

V. REPORTS

A. Sale of Property - Lot No. 226, Unit 1, County of Siskiyou, McCloud, California

It was recommended that the real property known as Lot No. 226, in McCloud Subdivision, Unit No. 1, County of Siskiyou, McCloud, California, be sold to John C. and Roberta L. Neighbor, for the sum of \$61,000.00.

It was recommended further that the Vice President for Business and Administration be authorized to proceed with the sale of said property and that the President and/or Vice President for Business and Administration be authorized to execute the necessary documents to consummate the sale of the property as described in the foregoing paragraph.

Upon motion of Mr. Devenow, seconded by Mr. Safford, the Board of Trustees approved the sale of property as described by unanimous roll call vote.

B. Report from President Enarson

President Enarson reported to the Board of Trustees on the following matters and commented on their effect on the University.

1. With the passage of the Sunshine Bill by the General Assembly even though it would not become effective until November 28, that procedures are in the process of being established for compliance as soon as possible.
2. The Capital Improvements Bill signed by Governor James A. Rhodes provides \$48.7 million for use on all campuses of Ohio State University. He said that to his knowledge no other state comes close to Ohio in the amount appropriated for capital improvements this biennium. He also expressed some disappointment in the lack of funding and the failure of the General Assembly to fund the \$11 million agronomy and natural resources building, but he was quite hopeful that such funding would be provided the next biennium.



September 5, 1975 meeting, Board of Trustees

V. REPORTS

B. Report from President Enarson (continued)

3. The enrollment of Autumn Quarter will include 69 merit scholars compared to 15 last year. The total enrollment on the Columbus campus will be around 49,200 which will include 7,000 new first quarter freshmen.

C. Report on University Investment Portfolio

Mr. Devenow made the following report:

The Fiscal Affairs Committee has reviewed the present investments within the University Investment Portfolio. Since we have received no further recommendations concerning the holdings from our investment counselors, we have no action to propose to the Board concerning our investments at this time. We do wish to report that the University Treasurer has implemented those recommendations which were approved at the July meeting, and it is recommended that the above report be accepted.

Upon motion of Mr. Harrod, seconded by Mr. Safford, the above recommendation was approved by unanimous roll call vote.

D. Expenses for Designated Administrative Officials

Mr. Devenow recommended that the Fiscal Affairs Committee be authorized to provide from the unrestricted gifts to the University Endowment Fund on an appropriate basis, to the President and designated University officials, reimbursement for expenditures which are directly and necessarily related to the performance of their assigned responsibilities and the best interests of the University.

Upon motion of Mr. Safford, seconded by Dr. Jacob, the Board of Trustees approved the foregoing recommendation by unanimous roll call vote.

E. Reports on University Investment Portfolio

The reports on the University's Investment Portfolio dated August 14, 1975 and September 4, 1975, as submitted to the Fiscal Affairs Committee of the Board of Trustees, were received and ordered to be filed with the official records of the Board.

September 5, 1975 meeting, Board of Trustees

V. REPORTS (continued)

F. Report from Educational Affairs Committee

Mr. Gushman made the following recommendation:

Mr. Chairman, at your request the Educational Affairs Committee has undertaken a review of President Enarson's salary.

Dr. Enarson has now been president for three years and is receiving the same salary as when he came to this position. During this period our faculty and staff have improved their salaries by an average of 28 per cent and our civil service personnel a total of 30 per cent. And, during this same period, inflation has effectively eroded his starting salary.

Our Committee reviewed levels of compensation for the presidents of the nine State-assisted universities in the Big Ten. There were only two presidents' salaries lower than President Enarson's during this past year, and he was the only president in this group who did not receive a salary increase.

Further, among the State-assisted universities in Ohio for this coming year the presidents of four institutions will have salaries above the present salary level of our president--\$50,000.00 per annum.

The Committee is well aware of the sensitivity of the president's salary, particularly in times of economic stress for our students and faculty, as well as the general public. However, we have a responsibility to the president as well as to the University to see that the president's salary is fair and competitive.

Most importantly, our Committee believes that Dr. Enarson has done a most effective job as president of this University, and we recommend that the Board of Trustees recognize this performance with some monetary reward.

Accordingly, we are recommending a \$5,000 a year increase for Dr. Enarson, which represents an increase of a little over 3 per cent per year, in his tenure as president. This increase represents approximately one-third of what the civil servants and faculty and staff of this University have received during the same period.

I move that President Enarson's salary effective September 1 of this year be increased by \$5,000 to a total salary level of \$55,000 per annum.

Mr. Devenow seconded the motion which was approved by unanimous roll call vote.

\*

\*

\*

September 5, 1975 meeting, Board of Trustees

VI. STATEMENT CONCERNING SUNSHINE LAW

Mr. Dunlap made the following statement:

I would simply like to reiterate what President Enarson has said about the need for this Board to comply with the Sunshine Law. I will appreciate the staff moving promptly on this matter so that we may determine what changes are required. Prior to the October meeting, I will distribute a full statement of the changes and new procedures to be followed in order for this Board to fully comply with the new law even before it becomes effective on November 28.

\*

\*

\*

Thereupon the Board adjourned to meet Friday, October 3, 1975, at the Ohio Agricultural Research and Development Center, Wooster, Ohio, at 10:30 a.m.

Attest:

\_\_\_\_\_  
Edward Q. Moulton  
Secretary

\_\_\_\_\_  
John H. Dunlap  
Chairman

Page 212 Blank

FACULTY APPOINTMENTS  
PROMOTIONS  
AND  
TENURE

---

The Ohio State University

Page 214 Blank

## FOREWORD

This booklet contains principal University rules, policies, and procedures on faculty appointments, tenure, and promotion. It is a revision of the July 13, 1962 statement, which itself was a revision of an earlier document approved on October 15, 1951.

Page 216 Blank



Faculty Appointments, Promotions, and Tenure

PART I PRINCIPAL RULES FOR APPOINTMENTS AND TENURE

A. APPOINTMENTS

21.03. Appointments and Continuing Employment; Conditions Upon.\*

Section 1. Upon nomination and recommendation by the president of the University, the Board of Trustees shall make all appointments to all positions within the University and approve the salaries therefor. Such appointments, for a period not to exceed four academic quarters, shall be evidenced by a notice of appointment signed by the secretary of the Board and sent to the appointee for acceptance. The notice of appointment form is a budgetary convenience containing some detail relating to the employment relationship during the term of the appointment, such as salary, title, and the quarters during which service is to be rendered. The form is used for appointment to many and varied kinds of service, including appointment to positions which may be tenure accruing and others which are not. Neither the issuance of the notice nor its contents is intended to reflect any commitment by the Trustees as to the recipient's tenure or as to renewal of appointment.

Section 2. All officers, teachers and other employees of The Ohio State University are required to take the following Oath of Allegiance as a condition of their initial appointment and continuing employment:

I, . . . . . , do solemnly swear (or affirm) that I will support and defend the Constitution of the United States and the Constitution of the State of Ohio against all enemies, foreign and domestic; that I will bear true faith and allegiance to the same; that I take this obligation freely without any mental reservation or purpose of evasion; and that I will well and faithfully discharge the duties of the office or position in which I am employed, SO HELP ME GOD.

Section 3. In defense of the freedom of those who teach and those who learn, and of the governmental system upon which such freedom is dependent, the conditions hereinafter set forth shall govern all initial appointments and continuing employment by the University.

It shall be sufficient cause for the removal of any officer, teacher, or employee of the University, pursuant to the procedure set forth in Rule 21.07, that such officer, employee or teacher advocate, or have membership in an organization which is generally known to advocate the overthrow of the government of the United States, or of the State of Ohio, by force, violence or other unlawful means. (Reference is made to the provisions of Section 143.272, Ohio Revised Code.)

---

\*Rule initiated by Board of Trustees.

Faculty Appointments, Promotions, and Tenure (continued)

A. APPOINTMENTS (continued)

21.03. Appointments and Continuing Employment; Conditions Upon (continued)

Furthermore, in the event that any officer, teacher or employee of The Ohio State University, called to testify before any legally constituted legislative committee or any court, refuses to testify concerning his membership in any organization which advocates overthrow of the government of the United States or of this State, by force, violence or other unlawful means, on the ground that his answers might tend to incriminate him under the Fifth Amendment to the Constitution of the United States, a hearing pursuant to the procedure set forth in Rule 21.07 shall be held to consider his fitness to retain such position in the University.

B. TENURE

21.05. Election of Faculty and Staff; Tenure.\*

The Board of Trustees shall annually appoint the president, and all employees of the University not in the classified civil service, subject to the laws of the State of Ohio and, in the case of regular faculty, to the rights and protection of tenure. Tenure may be earned by all teachers with regular faculty status subject to a probationary period. Regular faculty status does not include adjunct, clinical, visiting, or lecturer appointments, or part-time service (less than 50 percent total service to the University as specified in the notice of appointment). Tenure is lost by formal resignation, by retirement, or may be terminated by reason of proved incompetence or grave misconduct in accordance with Rule 21.07 or for causes set forth in Rule 21.03.

PART II SELECTED POLICIES FOR PROMOTION AND  
TENURE CONSIDERATIONS

A. GENERAL CONSIDERATIONS

Nominations for promotion and/or tenure ordinarily originate in the department in accordance with the procedures established by the departmental faculty. The departmental recommendation must provide a comprehensive assessment of the candidate's qualifications, together with detailed evidence to support the nomination. It must also include information about the nature and extent of consultation on the matter within the department and must present any significant evidence and differences of opinion which would support a contrary recommendation. Nominations will subsequently be considered by the college, and if favorable concurrence is obtained, the dean will forward the nomination, along with his own assessment and recommendation, to the provost. Recommendations are subject to the approval of the provost, the president, and the Board of Trustees.

---

\*Rule initiated by Board of Trustees.

## Faculty Appointments, Promotions, and Tenure (continued)

### A. GENERAL CONSIDERATIONS (continued)

No teacher attains tenure automatically. It may be acquired either in the original appointment to the regular faculty rank of professor, upon promotion from within the University to the rank of associate professor, or following a probationary period.\* The granting of tenure requires the recommendations of the dean of the college after consultation with the chairman of the applicable department, with the concurrence of the dean of the Graduate School, the provost, the president, and the Board of Trustees.

When some of the nominations from a college involve the granting of tenure, the dean should provide a statement showing how the proposed actions will affect the long-range staffing pattern of the department and of the college, taking into consideration expected attrition, budgetary limitations, the need for flexibility, and the effect on that fraction of the faculty already with tenure.

Recommendations for promotion and/or tenure should be based on the merit of the individual, on a consideration of comparable achievement in the faculty member's own field or in closely related fields and on the judicious use of the fiscal resources of the department and college. Whenever possible, consideration should be given to how the nominee stands in relation to other people in his field outside of the University who might be considered alternative candidates for the position. All available evidences should be considered and it is the responsibility of the academic units to provide complete documentation.

In accordance with a policy of equality of opportunity, decisions concerning appointment, promotion, and tenure are based on the following criteria without discrimination as to race, creed, religion, national origin, age, or sex.

### B. CRITERIA FOR PROMOTION AND TENURE

Each candidate will be judged with respect to the proposed rank and duties, considering the record of his performance in:

1. teaching;
2. research or other creative work; and
3. service to the instructional unit, the college, and the University and public service related to his academic expertise.

In evaluating the candidate's qualifications within these areas, reasonable flexibility shall be exercised, balancing, where the case requires, heavier commitments and responsibilities in one area against lighter commitments and responsibilities in another. Each candidate is expected to be engaged in a program of work that is both sound and productive. As the University enters new fields of endeavor and places new emphases on its continuing activities, instances will arise in which the proper work of faculty members may depart from established academic patterns. In such cases care must be taken to apply the criteria with sufficient flexibility. In all instances superior intellectual attainment, in

---

\*As specified in PART III. Regular Faculty Ranks.

Faculty Appointments, Promotions, and Tenure (continued)

B. CRITERIA FOR PROMOTION AND TENURE (continued)

accordance with the criteria set forth below, is the crucial qualification for promotion to tenured positions. Clearly, insistence upon this standard for continuing members of the faculty is necessary for maintenance of the quality of the University as an institution dedicated to the discovery and transmission of knowledge.

The criteria set forth below are intended to serve as a guide in evaluating the candidate:

1. Teaching. Effective teaching is an essential criterion to tenure or advancement. In evaluating the effectiveness of a candidate's teaching, points such as the following should be considered: the candidate's command of his subject; his continuous growth in his field; his ability to organize his material and to present it with logic and conviction; his capacity to awaken in students an awareness of the relationship of his subject to other fields of knowledge; his objectiveness; the creativity, the spirit, and enthusiasm which vitalize his learning and teaching; his ability to arouse curiosity in beginning students and to stimulate advanced students to creative work; his personal attributes as they affect his teaching and his students; the extent and skill of his participation in the general guidance and advising of students.

It is the responsibility of the department chairman to submit meaningful statements, accompanied by evidence, concerning the candidate's teaching effectiveness at lower-division, upper-division, and graduate levels of instruction commensurate with the candidate's assigned teaching responsibilities.

No single set of satisfactory measures can be prescribed. However, among significant types of evidence of teaching effectiveness are the following (not rank ordered):

- (1) opinions of other members of the candidate's department, particularly if based on class visitations, on public lectures or lectures before professional societies given by the candidate, or on the results of the candidate's teaching in courses prerequisite to those of other members of the department; (2) opinions of students, appropriately documented and accompanied by interpretative information; (3) development by the candidate of new and effective techniques of instruction and instructional materials, particularly when evidenced by acceptance at other universities; (4) publications by the candidate on the teaching of his discipline in respected journals devoted to pedagogy; and (5) recognitions or awards for distinguished teaching. In addition, and of

B. CRITERIA FOR PROMOTION AND TENURE (continued)

particular significance in appointment or promotion to the rank of professor, (i) opinions of graduates who have achieved notable professional success since leaving the University; and (ii) the number as well as caliber of students guided in research by the candidate and of those attracted to the campus by his repute as a leader.

2. Research and Creative Work. Evidence of productivity and creativity should be sought in the candidate's published research or recognized artistic production, architectural, or engineering designs, or the like.

Publications in research and other creative accomplishment should be evaluated, not merely enumerated. There should be evidence that the candidate is continuously and effectively engaged in creative activity of high quality and significance. Work in progress should be assessed whenever possible. When published work in joint authorship (or other product of joint effort) is presented as evidence, it is the responsibility of the department to establish as clearly as possible the role of the candidate in the joint effort. Account should be taken of the type and quality of creative activity normally expected in the candidate's field. Appraisals of publication or other works in the scholarly and critical literature provide important testimony. The department chairman is expected to supplement the opinions of his colleagues within the department by critical appraisals from distinguished scholars at other universities.

Textbooks, reports, circulars, and similar publications normally considered evidence of teaching ability or public service should be considered creative work when they present new ideas or incorporate scholarly research.

In certain fields such as art, architecture, dance, music, literature, and drama, distinguished achievement may be considered in addition to distinction in scholarly analysis involving the particular branch of creative endeavor. In evaluating artistic creativity, an attempt should be made to define the candidate's merit in the light of such criteria as originality, scope, and depth of creative expression. It should be recognized that in music, drama, and dance, distinguished performance, including conducting and directing, is evidence of a candidate's creativity.

In all research and creative work, care must be taken to assure the involvement of students as apprentice researchers and creative artists.

3. Service. The faculty plays a vital role in the administration of the University at all levels and in the formulation of its policies. Recognition should therefore be given to scholars who prove themselves to be able administrators and who participate effectively and imaginatively in faculty government and the formulation of departmental, college, and University policies. Service by members of the faculty to the

## Faculty Appointments, Promotions, and Tenure (continued)

### B. CRITERIA FOR PROMOTION AND TENURE (continued)

community, state, and nation in their special capacities as scholars should likewise be recognized. Similarly, contributions to student welfare through service on student-faculty committees and as adviser to student organizations should be acknowledged.

In certain of the colleges, a demonstrated distinction in other service responsibilities characteristic of the area should be recognized as a criterion for promotion and/or tenure. Examples include industrial consulting (engineering) and extension work (agriculture and home economics).

The candidate's professional activities should be scrutinized for evidence of achievement and leadership in the field and of demonstrated progressiveness in the development or utilization of new approaches and techniques for the solution of professional problems. It is the responsibility of the department chairman to provide evidence of the quality of the service rendered, including statements from persons served.

### C. PROBATIONARY SERVICE, DURATION OF APPOINTMENTS

Probationary periods are established for regular faculty members with the rank of instructor, assistant professor, and associate professor. In determining the years served in these probationary periods, the following will not be credited toward the attainment of tenure: service on an adjunct, clinical, visiting, or lecturer appointment; service (with any title) on a special appointment, or part-time service at a level of less than 50 percent total service (as specified in one or more concurrent notices of appointment) to the University.

The appointment of a person to a nontenured regular faculty position is probationary in nature. Appointments during the probationary period are for a one-year period and faculty members are normally reviewed annually during this period. It is during this time that persons have an opportunity to prove themselves to their peers; their record of accomplishments forms the basis for decisions concerning renewal of the appointment or the eventual decision to grant tenure or not.

The University does not assume any continuing obligation to renew the appointment of a nontenured faculty member. Nonrenewal may be based upon such factors as changing standards of competence within a discipline, an assessment of inadequate performance or insufficient development, or any one of a number of less defined academic, financial, or policy reasons. The nonrenewal of an appointment in and of itself, however, should not carry with it the implication of either incompetence or misconduct on the part of the faculty member.

Decisions affecting the nonrenewal of a probationary appointment may not, however, be arbitrary or capricious, or carried out in violation of a faculty member's right to academic freedom. Rule 21.08 provides a procedural mechanism under which an aggrieved probationary faculty member can challenge a

C. PROBATIONARY SERVICE, DURATION OF APPOINTMENTS (continued)

nonrenewal decision which he believes to have been improper. In that instance, however, the burden of proof is on the probationary faculty member to establish that the nonrenewal decision was improper.

1. Extension of the Probationary Period for Part-Time Faculty

Where a member of the regular faculty has served for a period of less than full-time service (but at a level of 50 percent or more), the probationary period may be extended. Such extension must be requested at least one year in advance of the expiration of the usual probationary period and must have the approval of the dean and the provost. In such cases, the extension shall be for an integral number of years, based on the principle that the usual probationary period should represent full-time service. (For example, either two years at a 50 percent level or four years at a 75 percent level would permit a one-year extension.) The maximum permissible extension of a probationary period will be three years in the case of a probationary instructor or assistant professor, one year in the case of a probationary associate professor.

2. Prior Service

When a faculty member has had prior service at or above the level of instructor at this or another university, such prior service may be included as part of the probationary period. This credit will be agreed to prior to the initial appointment and only upon the written recommendation of the chairman of the department and the dean of the college with the concurrence of the provost.

3. Multiple Appointments

For persons with multiple appointments, whether members of the regular faculty or the auxiliary faculty, it is important that there be a single department (or academic faculty, division, school) which will be responsible for assisting in the professional development of the faculty member and the evaluation of the faculty member; for maintaining complete records, and for initiating promotion recommendations. While tenure is a shared responsibility involving the University, the college, and the department, it is essential that a single department (or academic faculty, division, school) be responsible for the appointment of a member of the regular faculty and be responsible for initiating tenure or nonrenewal recommendations and for any eventual tenure commitment.

Faculty Appointments, Promotions, and Tenure (continued)

C. PROBATIONARY SERVICE, DURATION OF APPOINTMENTS (continued)

Multiple appointments totalling 50 percent or more service to the University shall be considered to be the same as a single appointment of 50 percent or more for the purpose of determining eligibility for tenure or tenure candidacy if at least one of the appointments is an appointment to a regular faculty position.

4. Campus Assignment

The Ohio State University provides instructional programs at several locations including the central campus in Columbus, regional campuses in Lima, Mansfield, Marion, and Newark, the Graduate Center at Wright-Patterson Air Force Base (Dayton), and the Agricultural Technical Institute (Wooster). Members of the regular faculty who receive tenure while rendering primary service on a particular campus hold tenure only at that campus.

5. Change of Tenure Status

When a faculty member moves from one department (or academic faculty, division, school) to another, responsibility for tenure consideration or tenure moves to the new instructional unit. Also, a faculty member may be considered for service on a campus other than the one at which he initially rendered regular faculty service or earned tenure. In the case of such reassignment, which must have the prior approval of the dean and of the provost, responsibility for tenure will move to the new location.

A tenured faculty member of the regular faculty who voluntarily agrees to reduction of his appointment below 50 percent service to the University (as specified in the notice(s) of appointment) loses tenure except in the case of an approved leave of absence. Similarly, a tenured member of the regular faculty who changes to an auxiliary faculty position loses tenure.

6. Leaves of Absence

The period of a leave of absence may not be credited in the probationary period unless there is a written agreement to so credit it. Such an agreement will require the approval of the dean and of the provost.



## Faculty Appointments, Promotions, and Tenure (continued)

### D. STANDARDS OF NOTICE

In cases of nonrenewal of an appointment to a regular faculty rank, the University will, in so far as possible, observe the following standards of notice: (1) not later than March 1 of the first academic year of service, if the appointment expires at the end of that year; or, if a one-year appointment expires during an academic year, at least three months in advance of its expiration; (2) not later than December 15 of the second year of academic service, if the appointment expires at the end of that year; or if an appointment expires during the second academic year, at least six months in advance of its expiration; and (3) at least twelve months before the expiration of an appointment after two or more years in the institution.

These standards of notice will not apply in cases of termination for cause.

Decisions regarding renewal of members of the auxiliary faculty (adjunct, clinical, visiting titles, or lecturers) are made annually in accordance with criteria and procedures of the appointing instructional unit and in accordance with University policies relative to auxiliary faculty positions.

## PART III REGULAR FACULTY RANKS (REQUISITES, CAPACITIES, AND TENURE ACCRUAL)

### A. INSTRUCTOR

Recommendations for appointment as an instructor are subject to the following conditions:

1. **Formal Requisite:** Baccalaureate degree and master's degree, or its equivalent, and at least three years of graduate study or relevant professional experience.
2. **Capacities:** Satisfactory evidence that the person being appointed possesses the capacity to develop and meet substantially the criteria described in PART II, B Criteria for Promotion and Tenure.
3. **Tenure:** Before an instructor will be granted tenure at that rank, a seven-year probationary period must be met.

Initial appointments as an instructor are on a probationary basis. Performance is ordinarily reviewed annually during the probationary period to determine whether or not the appointment will be renewed, subject to the standards of notice set forth in PART II, D. If the appointment is renewed for a fourth year, the University will make every effort to inform the person involved during the fourth year as to whether he is to be considered a candidate for tenure. If he is informed that he is not considered a candidate for tenure, his appointment will not be renewed after the end of the fifth year. If the appointment is renewed for a sixth

Faculty Appointments, Promotions, and Tenure (continued)

A. INSTRUCTOR (continued)

year, the person involved will be informed by the dean, during the sixth year of service, if he is to be granted tenure beginning with his eighth year of service. If tenure is not granted, his appointment will not be renewed after the end of the seventh year.

B. ASSISTANT PROFESSOR

Recommendations for appointment as an assistant professor are subject to the following conditions:

1. Formal Requisite: Ph. D. degree or equivalent qualifications.
2. Capacities: Demonstrated evidence that the person being appointed possesses the capacity to meet substantially criteria in Part II, B Criteria for Promotion and Tenure.
3. Tenure: Before an assistant professor will be granted tenure at that rank, a seven-year probationary period must be met. Service to the University as an instructor (without interruption) will be counted in meeting this probationary requirement. Tenure may be granted at an earlier time upon promotion to associate professor.

Initial appointments as an assistant professor are on a probationary basis. Performance is ordinarily reviewed annually during the probationary period to determine whether or not the appointment will be renewed, subject to the standards of notice.\* If the appointment is renewed for a fourth year, the University will make every effort to inform the person involved during the fourth year as to whether he is to be considered a candidate for tenure. If he is informed that he is not considered a candidate for tenure, his appointment will not be renewed after the end of the fifth year. If the appointment is renewed for the sixth year, the person involved will be informed by the dean during his sixth year of service, if he is to be granted tenure beginning with his eighth year of service. If tenure is not granted, his appointment will not be renewed after the end of the seventh year.

C. ASSOCIATE PROFESSOR

Recommendations for appointment as an associate professor are subject to the following conditions:

1. Formal Requisite: Ph. D. degree or equivalent qualifications.
2. Capacities: Demonstrated evidence that the person appointed meets substantially the criteria described in PART II, B Criteria for Promotion and Tenure and that his professional development will continue.

---

\*Set forth in PART II, D.

Faculty Appointments, Promotions, and Tenure (continued)

C. ASSOCIATE PROFESSOR (continued)

3. Tenure: A person promoted to associate professor from a lower rank at this University will acquire tenure upon the effective date of his promotion.

A person appointed from outside of this University to associate professor will serve a three-year probationary period. During the second year, the person involved will be informed by the dean if he is to be granted tenure beginning with the fourth year of service. If tenure is not granted, the appointment will not be renewed after the end of the third year.

D. PROFESSOR

Recommendations for appointment as a professor are subject to the following conditions:

1. Formal Requisite: Ph.D. degree or equivalent qualifications.
2. Capacities: Demonstrated evidence that the person being appointed has met the criteria described in PART II, B Criteria for Promotion and Tenure with distinction and that these outstanding contributions will continue.
3. Tenure: Tenure is automatic upon promotion or appointment to this regular faculty rank.

Page 228 Blank

THE OHIO STATE UNIVERSITY  
OFFICIAL PROCEEDINGS OF THE  
ONE THOUSAND ONE HUNDRED AND ELEVENTH MEETING  
OF THE BOARD OF TRUSTEES

Columbus, Ohio, October 15, 1975

The Board of Trustees met at its regular monthly meeting on Wednesday, October 15, 1975, at The Ohio State University Fawcett Center for Tomorrow, Columbus, Ohio, pursuant to adjournment.

Present: John H. Dunlap, Chairman, M. Merle Harrod, John L. Gushman, Howard D. Sirak, Patricia D. James, Warren J Smith, and John D. Jacob.

\* \* \*

Minutes of the last meeting were approved.

\* \* \*

October 15, 1975 meeting, Board of Trustees

STATEMENT BY MR. DUNLAP

Before starting our formal agenda I should like to comment on several items which I believe are of general interest.

First, I should like to comment on the resignation of Bill Safford who served this Board with distinction for eight and one-half years. Bill contributed in an outstanding way to this University through his counsel and his leadership. We certainly will miss him but I am sure that in his new role as a Regent of higher education, we will continue to benefit from his service.

At the same time I should like to note that another one of our former associates on this Board, Mr. James W. Shocknessy, has also accepted an appointment on the Board of Regents. There is little question that Jim will also make an outstanding contribution to the Regents.

Finally, I should like to note with pleasure the appointment of Mrs. Novice G. Fawcett, the wife of our President Emeritus, to the Regents.

We wish them all well in this service to the people of the State.

\* \* \* \* \*

Secondly, as I indicated at our last Board meeting, this Board intends to fulfill not only the letter but the spirit of the recently enacted Amended Substitute Senate Bill 74, commonly referred to as the "Sunshine Law." Accordingly, I have asked the Chairmen of the two standing committees of the Board to conduct the business of their committees in public, with the exception of course as provided by this legislation. I should point out that I have recommended this approach even though our present committee structure with four Board members on each of our two committees (Educational Affairs and Fiscal Affairs) do not have a majority of the Board members on them and thus cannot bind the Board by any of their actions.

And finally, I have directed that the Secretary make available to the public the agenda of these Board meetings in advance of each meeting. I have also asked that the same be done for our two standing committees whenever feasible; and that the Secretary establish a depository for all Board notifications, announcements and agenda relating to the various activities of this Board.

\* \* \* \* \*

On another matter I should like to report that the President has forwarded for the consideration of this Board a letter which he recently received from the President of the University's local AAUP chapter. In this letter Professor Stocker requests a faculty election for the purpose of establishing collective bargaining for the faculty of this University. A copy of this letter has been forwarded to each of you, and I am requesting

October 15, 1975 meeting, Board of Trustees

STATEMENT BY MR. DUNLAP (continued)

that this should be a topic of discussion at the end of this meeting. As you know, collective bargaining is specifically exempt from open meetings under the Sunshine Law. Thus with your concurrence, I will recess this meeting at the conclusion of the President's presentation and reconvene the Board in executive session for the purpose of discussing this item.

\* \* \* \* \*

I should now like to ask President Enarson to present his agenda for consideration and appropriate action.

- o -

RESOLUTIONS IN MEMORIAM

President Enarson reported to the Board the deaths of Charles A. Glatt, Professor in the Academic Faculty of Educational Development of the College of Education; Henry E. Hoagland, Professor Emeritus in the Academic Faculty of Finance of the College of Administrative Science; and Ronald B. Thompson, Executive Dean Emeritus. In accordance with the instructions of the Board of Trustees, copies of the following resolutions expressing on behalf of the University the sorrow and sympathy of the Board will be furnished the families of the deceased.

A. Charles A. Glatt

The Board of Trustees of The Ohio State University expresses its great sorrow at the untimely death on September 19, 1975, of Charles A. Glatt, Professor in the Academic Faculty of Educational Development of the College of Education. Dr. Glatt was the victim of a tragic shooting while at work designing a Federally ordered school desegregation plan.

Dr. Glatt received his Ph. D. degree from the University of New Mexico in 1963. He was professor of education at the State University College of Buffalo, New York, until 1966 when he joined the Academic Faculty of Educational Development at The Ohio State University. Nationally recognized as a leader in school desegregation, he was appointed on June 24, 1975, to work with the desegregation plan for the Dayton School system. He was continuing this work on weekends while teaching graduate studies in Educational Development during Autumn Quarter.

Listed in Who's Who in American Philosophy, Dr. Glatt was recognized as one of the nation's leading analysts of population trends as related to educational policies and programs. He served as consultant to school administrators in eleven states (thirty-three school systems) involved in desegregating schools. After joining The Ohio State University faculty, Professor Glatt was a special consultant to the NEA's Professional Rights and Responsibilities Commission team investigating schools in Baltimore, on The Ohio State University Advisory Commission on Problems Facing the Columbus Public Schools and on the Technical Assistance Project in Human Resources Development Planning for Bolivia, South America.

October 15, 1975 meeting, Board of Trustees

RESOLUTIONS IN MEMORIAM (continued)

A. Charles A. Glatt (continued)

His interests, activities in research, and professional services fed directly into his teaching. Teaching was deeply important to him, fed by a desire to see students realize personal fulfillment and satisfaction from their education. Dr. Glatt was nominated by his students for the Alumni Award for Distinguished Teaching in May, 1975.

Dr. Glatt's research resulted in public speaking and publications. His articles, dealing with deprived or disadvantaged children, demographic analysis, and school segregation have appeared in over 35 educational journals and newsletters. In the spring of 1975 he founded and presided over the Foundation for Equality in Education to provide a means for educating teachers and citizens about desegregation.

On behalf of the University, the Board of Trustees expresses to the family its deepest sympathy in its loss. It was directed that this resolution be inscribed upon the minutes of the Board of Trustees and that a copy be tendered to the family as an expression of the Board's heartfelt sympathy.

B. Henry E. Hoagland

The Board of Trustees of The Ohio State University expresses its sorrow at the death on September 17, 1975, of Henry E. Hoagland, Professor Emeritus in the College of Administrative Science - Academic Faculty of Finance.

Dr. Hoagland was a graduate of Western Illinois State Normal School, had bachelor's and master's degrees from the University of Illinois and a doctor of philosophy degree from Columbia. He received the honorary doctor of laws degree from The Ohio State University in December, 1965.

From 1920 until his retirement in 1956, Dr. Hoagland served as Professor of Business Finance in the Department of Business Organization of Ohio State. His students best remember Dr. Hoagland as a dynamic classroom teacher who took no dogma for granted. They remember, too, the challenge in his comments and his ready humor. He inspired creativity in research and satisfaction with nothing less than the highest level of scholarship.

Dr. Hoagland was also nationally known and respected for his contributions to business and government. He was a pioneer member of the Federal Home Loan Bank Board in the 1930's and provided wisdom and responsible leadership in shaping the savings and loan industry. For many years he served with distinction as a consultant to the savings and loan industry and as a contributing editor of "The National Savings and Loan Journal," monthly magazine of the National League of Insured Savings Associations. During his career, Dr. Hoagland also served as statistician and economist for the New York State Industrial Commission, and as chief of the division of statistics for the New York State Public Service Commission.



October 15, 1975 meeting, Board of Trustees

RESOLUTIONS IN MEMORIAM (continued)

B. Henry E. Hoagland (continued)

"Corporation Finance," published in 1933, was the first of three college texts by Dr. Hoagland. In 1940, when real estate courses were in a formative stage, his pioneer text, "Real Estate Principles," did much to crystallize course content for students of real estate. In 1954, his book, "Real Estate Finance," fulfilled the need for advanced-level treatment of the field and, in revised edition, is widely used today.

On behalf of the University community, the Board of Trustees expresses to the family of Henry E. Hoagland its deepest sympathy. It was directed that this resolution be inscribed in the minutes of the Board of Trustees and that a copy be tendered to Mrs. Henry Hoagland as a sincere expression of sympathy and respect.

C. Ronald B. Thompson

The Board of Trustees of The Ohio State University expresses its sorrow at the death on September 15, 1975, of Ronald B. Thompson, Executive Dean Emeritus.

Ronald Burdick Thompson was born October 6, 1907, in Chambersburg, Illinois. He attended Hastings College, where he received the Bachelor of Arts degree in 1929. His graduate work was done at the University of Nebraska, which granted him the Master of Arts degree in 1933 and the Doctor of Philosophy degree in 1939.

After teaching high school mathematics for several years and being superintendent of the Beaver Crossing, Nebraska, High School from 1933 to 1935, Dr. Thompson joined the faculty of the University of Utah in 1936. In 1940 he became Registrar and Assistant Professor of Education and was advanced to the rank of Associate Professor in 1944. Later that year he came to Ohio State, where he gave distinguished service in a number of administrative positions. For thirteen years he was Registrar, University Examiner and University Editor. In 1957 he was appointed an Executive Dean and became a member of the President's Cabinet. Among the areas for which he held responsibility during his last sixteen years at the University were the Admissions Office, the Registrar's Office, University Testing Center, Alumni Records Division, Mershon Auditorium, Teaching Aids Laboratory, Men's and Women's Physical Education Departments, Telecommunications Center, the Office of Evaluation, and the three ROTC departments.

Dr. Thompson was nationally known for his studies of population trends, with particular emphasis on future college and university enrollments. He was the author of "College Age Population Trends," published in 1954; "The Problem of Rising College Enrollments," 1959; "The Impending Tidal Wave of Students," 1955; "Enrollment Projections for Higher Education, 1961-1978," and a number of other studies, including "Projected Enrollments,

October 15, 1975 meeting, Board of Trustees

RESOLUTIONS IN MEMORIAM (continued)

C. Ronald B. Thompson (continued)

Institutions of Higher Education, State of Ohio, 1973-1989, " a study conducted in 1973 for the Ohio Board of Regents. In 1956 he served as a consultant to President Eisenhower's Committee on Education Beyond the High School. During 1963-64, he was a consultant to the Registrars at Punjab Agricultural University and the University of Udaipur in India.

On the campus Dr. Thompson served as chairman of the Appeals Board of the Commission on Traffic and Parking, chairman of the University Advisory Committee on Cultural Programs, and was a member of the University Committee on Discipline. He was also responsible for Ohio State's relationships with Ohio secondary schools, the Ohio College Association, and the North Central Association of Colleges and Secondary Schools. For a quarter of a century he had served as a consultant and examiner for the latter organization.

Dr. Thompson was past president of the American Association of Collegiate Registrars and Admissions Officers, which granted him its honorary life membership in 1958. The Ohio Association of Collegiate Registrars and Admissions Officers also elected him to honorary membership. In 1960 he was elected to the Board of Directors of the American College Testing Program. Marietta College paid tribute to his distinguished career when it conferred an honorary degree, Doctor of Laws, in June, 1958.

Since his retirement in 1973, Dr. Thompson had served as supervisor of institutional research at the Columbus Technical Institute.

On behalf of the University community, the Board of Trustees expresses to the family of Dr. Thompson its deepest sympathy. It was directed that this resolution be inscribed in the minutes of the Board of Trustees and a copy be tendered to Mrs. Thompson as sincere appreciation of the Board's realization of the loss which the family, the University, and his many friends and associates have sustained.

\*

\*

\*

President Enarson presented the following recommendations:

I. PERSONNEL ACTIONS

Personnel actions since the September 5, 1975 meeting of the Board as recorded in the official "Salary Roll" of the University, include the following Appointments, Leaves of Absence Without Salary, and Emeritus Titles:

October 15, 1975 meeting, Board of Trustees

I. PERSONNEL ACTIONS (continued)

A. Appointments

Frank M. Zubovich from Assistant Coach to Head Track Coach, Department of Athletics, effective October 1, 1975, at a salary of \$18,528.00 per annum.

Richard A. Erickson, Secretary of the University Faculty, effective September 16, 1975, at No Salary.

Robert J. Stull from Professor and Acting Chairman, Division of Art, to Professor and Chairman, Division of Art, effective October 1, 1975, at a salary of \$31,968.00 per annum.

B. Leaves of Absence Without Salary

Gerald P. Brierley, Professor, Department of Physiological Chemistry, effective October 1, 1975 through February 28, 1976, to accept a position as Visiting Professor of Biochemistry at the Medical University of South Carolina.

Luvern L. Cunningham, Professor, Academic Faculty of Educational Administration, effective October 1, 1975 through June 30, 1976, to participate in a project in the San Francisco Public Schools.

Robert V. DeVore, Associate Professor, Department of Electrical Engineering, effective August 18, 1975 through September 13, 1975, to perform consulting engineering services.

Mary S. Breese, Assistant Professor, School of Allied Medical Professions, effective July 1, 1975 through August 31, 1975, to do research and write a book.

Clyde H. Dilley, Assistant Professor, Department of Photography and Cinema, effective October 1, 1975 through September 30, 1976, to participate in a program of professional improvement at the University of New Mexico.

Ana R. Llorens, Assistant Professor, University Libraries, effective July 1, 1975 through October 31, 1975, to serve as library consultant in Nicaragua, Central America.

October 15, 1975 meeting, Board of Trustees

II. PERSONNEL ACTIONS (continued)

B. Leaves of Absence Without Salary (continued)

Alan Sprague, Assistant Professor, Department of Mathematics, effective October 1, 1975 through September 30, 1976, to spend a year at the University of London.

Constance J. Roberts, Instructor, University Libraries, effective July 1, 1975 through December 31, 1975, for personal reasons.

C. Emeritus Titles

O. Lee Rigsby, College of The Arts, with the title Dean Emeritus, effective October 1, 1975.

Lowry W. Harding, Academic Faculty of Early and Middle Childhood Education, with the title Professor Emeritus, effective September 1, 1975.

Franklin C. Hugenberger, Department of Obstetrics and Gynecology, with the title Professor Emeritus, effective July 1, 1975.

Thomas E. Shaffer, Department of Pediatrics, with the title Professor Emeritus, effective September 1, 1975.

I. Keith Tyler, Academic Faculty of Curriculum and Foundations, with the title Professor Emeritus, effective September 1, 1975.

Wynne M. Silbernagel, Department of Obstetrics and Gynecology, with the title Assistant Professor Emeritus, effective July 1, 1975.

President Enarson recommended that the Appointments, Leaves of Absence Without Salary, Emeritus Titles, and the personnel budget actions as recorded in the "Salary Roll" of the University be approved.

Upon motion of Mr. Harrod, seconded by Mrs. James, the Board of Trustees approved the foregoing recommendation by unanimous roll call vote, and the Secretary was instructed to file these changes in the "Salary Roll," an official document of the University.

\*

\*

\*

October 15, 1975 meeting, Board of Trustees

III. REPORT OF RESEARCH CONTRACTS, GRANTS, GIFTS, AND AGREEMENTS

President Enarson recommended that the following contracts and grants negotiated and monies received for the month of August be accepted.

Summary for August 1975

	No. of Projects	Support Level
Office of Business and Administration	37	\$1,378,556.00
The Ohio State University Research Foundation	57	1,335,276.00
The Engineering Experiment Station	5	<u>310,952.33</u>
		\$3,024,784.33
The Ohio State University Develop- ment Fund	2,783 Donors	\$ 419,194.67

A detailed listing of the items in each section is shown on the following pages.

Upon motion of Mr. Gushman, seconded by Dr. Jacob, the research agreements between The Ohio State University and The Ohio State University Research Foundation for the contracts and grants reported herein, and the acceptance of the report from the Office of Business and Administration and The Ohio State University Development Fund, including the establishment of named funds, were approved by unanimous voice vote.

October 15, 1975 meeting, Board of Trustees

III. REPORT OF RESEARCH CONTRACTS, GRANTS, GIFTS, AND AGREEMENTS  
(continued)

A. Office of Business and Administration

1. Federal Contracts/Grants

- a. \$137,569.00 from Department of Health, Education, and Welfare, Public Health Service, Health Resources Administration, Bureau of Health Manpower, Bethesda, Maryland--\$125,939.00 for Health Professions Student Loans, for period July 1, 1975 through June 30, 1976; and \$11,630.00 for Health Professions Scholarships, for period July 1, 1975 through June 30, 1977, under the direction of College of Medicine. (I. D. No. 05L390071-76; Former No. 1 7 45 0430 15 1)
- b. \$120,447.00 from Department of Health, Education, and Welfare, Public Health Service, Health Resources Administration, Bureau of Health Manpower, Bethesda, Maryland--\$102,391.00 for Health Professions Student Loans, for period July 1, 1975 through June 30, 1976; and \$18,056.00 for Health Professions Scholarships, for period July 1, 1975 through June 30, 1977, under the direction of College of Dentistry. (I. D. No. 05L390075-76; Former No. 2 7 45 0430 15 1)
- c. \$101,153.00 from Department of Health, Education, and Welfare, Public Health Service, Health Resources Administration, Bureau of Health Manpower, Bethesda, Maryland--\$91,054.00 for Health Professions Student Loans, for period July 1, 1975 through June 30, 1976; and \$10,099.00 for Health Professions Scholarships, for period July 1, 1975 through June 30, 1977, under the direction of College of Veterinary Medicine. (I. D. No. 05L390083-76; Former No. 7 7 45 0430 15 1)
- d. \$78,266.00 from Department of Health, Education, and Welfare, Public Health Service, Health Resources Administration, Bureau of Health Manpower, Bethesda, Maryland--\$73,369.00 for Health Professions Student Loans, for period July 1, 1975 through June 30, 1976; and \$4,897.00 for Health Professions Scholarships, for period July 1, 1975 through June 30, 1977, under the direction of College of Pharmacy. (I. D. No. 05L390079-76; Former No. 5 7 45 0430 15 1)
- e. \$52,788.00 from Department of Health, Education, and Welfare, Public Health Service, Health Resources Administration, Bureau of Health Manpower, Bethesda, Maryland--\$43,606.00 for Health Professions Student Loans, for period July 1, 1975 through June 30, 1976; and \$9,182.00 for Health Professions Scholarships, for period July 1, 1975 through June 30, 1977, under the direction of College of Optometry. (I. D. No. 05L390077-76; Former No. 4 7 45 0430 15 1)
- f. \$26,919.00 from Department of Health, Education, and Welfare, Public Health Service, National Institute of Mental Health, Bethesda, Maryland, for Neocortical and Subcortical Interactions - Research Scientist Development, for period September 1, 1975 through August 31, 1976, under the direction of Department of Psychology. (Grant No. 5 K02 MH12747-09)

III. REPORT OF RESEARCH CONTRACTS, GRANTS, GIFTS, AND AGREEMENTS  
(continued)

A. Office of Business and Administration (continued)

1. Federal Contracts/Grants (continued)

- g. \$19,925.00 from Department of Health, Education, and Welfare, Region V, OHD, Office of Rehabilitation Services, Chicago, Illinois, for Traineeships in Occupational Therapy--Training Grant, for period September 1, 1975 through August 31, 1976, under the direction of School of Allied Medical Professions. (Grant No. 44-P-25123/5-11)
- h. \$17,380.00 from Department of Health, Education, and Welfare, Office of Human Development, OS, Rehabilitation Services Administration, Chicago, Illinois, for Teaching Grant and Traineeships in Physical Therapy - Training Grant, for period September 1, 1975 through August 31, 1976, under the direction of School of Allied Medical Professions. (Grant No. 44-P-25124/5-12)
- i. \$10,500.00 from Small Business Administration, Washington, D. C., for providing management counseling and technical assistance to small business concerns, for period August 25, 1975 through June 30, 1976, under the direction of College of Administrative Science. (Contract No. SBA-162-PMA-76)
- j. \$3,000.00 from Department of Health, Education, and Welfare, Public Health Service, Division of Cancer Research Resources and Centers, National Cancer Institute, Bethesda, Maryland, for Public Health Service Research Fellowship, for period July 1, 1975 through June 30, 1976, under the direction of Department of Medicine. (Fellowship No. 5 F22 CA00776-02)
- k. \$3,000.00 from Department of Health, Education, and Welfare, Public Health Service, Division of Cancer Research Resources and Centers, National Cancer Institute, Bethesda, Maryland, for Public Health Service Research Fellowship, for period July 1, 1975 through June 30, 1976, under the direction of Department of Medicine. (Fellowship No. 5 F22 CA01763-02)
- l. \$3,000.00 from Department of Health, Education, and Welfare, Public Health Service, Division of Cancer Research Resources and Centers, National Cancer Institute, Bethesda, Maryland, for Public Health Service Research Fellowship, for period July 1, 1975 through June 30, 1976, under the direction of Department of Chemistry. (Fellowship No. 1 F32 CA05190-01)
- m. \$3,000.00 from Department of Health, Education, and Welfare, Public Health Service, Division of Cancer Research Resources and Centers, National Cancer Institute, Bethesda, Maryland, for Public Health Service Research Fellowship, for period July 1, 1975 through June 30, 1976, under the direction of Department of Veterinary Pathobiology. (Fellowship No. 1 F32 CA05040-01)

III. REPORT OF RESEARCH CONTRACTS, GRANTS, GIFTS, AND AGREEMENTS  
(continued)

A. Office of Business and Administration (continued)

1. Federal Contracts/Grants (continued)

- n. \$2,500.00 from ACTION, Small Purchases Branch, Washington, D. C., for Shop Program Conference, under the direction of Academic Faculty of Vocational-Technical Education, effective August 25, 1975.

TOTAL - Federal Contracts/Grants \$579,447.00

2. State of Ohio Contracts/Grants

- a. \$102,800.00 from State Department of Education, Division of Vocational Education, Columbus, Ohio, for support of teacher education, supervision, instructional materials development, and special services in the program in Trade and Industrial Education, Guidance Services, Business and Office Education, Distributive Education, Manpower Training and Vocational Education, under the direction of Academic Faculty of Vocational-Technical Education, for period July 1, 1975 through June 30, 1976.
- b. \$57,100.00 from State Department of Education, Division of Vocational Education, Columbus, Ohio, for support of teacher education, supervision, instructional materials development, and special services in the program in Agricultural Education and Vocational Home Economics, under the direction of College of Agriculture and Home Economics, for period July 1, 1975 through June 30, 1976.
- c. \$48,990.00 from State of Ohio, Department of Education, Division of Vocational Education, Columbus, Ohio, for Maintaining an Instructional Design Strategy for Curriculum Development at the Local Education Agency Level for Vocational Education, under the direction of Academic Faculty of Vocational-Technical Education, for period July 1, 1975 through August 31, 1976.
- d. \$47,835.00 from State of Ohio, Department of Education, Division of Vocational Education, Columbus, Ohio, for Utilization of Systems Design Strategy Analysis in Curriculum Development by Local Supervisors of Vocational Education, under the direction of Academic Faculty of Vocational-Technical Education, for period July 1, 1975 through August 31, 1976.
- e. \$43,998.00 from State of Ohio, Department of Education, Division of Vocational Education, Columbus, Ohio, for EPDA Grant Award, under the direction of Department of Agricultural Education, for period July 1, 1975 through August 31, 1976.



III. REPORT OF RESEARCH CONTRACTS, GRANTS, GIFTS, AND AGREEMENTS  
(continued)

A. Office of Business and Administration (continued)

2. State of Ohio Contracts/Grants (continued)

- f. \$40,367.00 from State of Ohio, Department of Education, Division of Vocational Education, Columbus, Ohio, for Development of Staff Personnel Evaluation Techniques and Follow-up for Selected State Staff, Head Teacher Educators and Local Leadership Personnel, under the direction of Academic Faculty of Vocational-Technical Education, for period July 1, 1975 through August 31, 1976.
- g. \$35,500.00 from State of Ohio, Department of Education, Division of Vocational Education, Columbus, Ohio, for Leadership Development in Career Education, under the direction of Academic Faculty of Vocational-Technical Education, for period July 1, 1975 through August 31, 1976.
- h. \$30,416.00 from State of Ohio, Department of Education, Division of Vocational Education, Columbus, Ohio, for Utilization of Systems Design Strategy and Task Analysis in Curriculum Development by Teacher Educators of Vocational Education, under the direction of Academic Faculty of Vocational-Technical Education, for period July 1, 1975 through August 31, 1976.
- i. \$13,746.00 from State of Ohio, Department of Education, Division of Vocational Education, Columbus, Ohio, for Determining Training Needs and Curriculum Content for Business and Industry and the Development of Methods of Leadership Training as a Supportive Element, under the direction of Academic Faculty of Vocational-Technical Education, for period July 1, 1975 through August 31, 1976.
- j. \$9,200.00 from State of Ohio, Department of Natural Resources, Division of Wildlife, Columbus, Ohio, for Analysis of Public Use of State Wildlife Areas in Ohio, under the direction of Department of Zoology, for period July 1, 1975 through June 30, 1976. (Project W-126-R)
- k. \$5,510.00 from State of Ohio, Department of Education, Division of Vocational Education, Columbus, Ohio, for Up-Date Communication Coordinators for Local Educational Agencies, under the direction of Academic Faculty of Vocational-Technical Education, for period July 1, 1975 through August 31, 1976.

III. REPORT OF RESEARCH CONTRACTS, GRANTS, GIFTS, AND AGREEMENTS  
(continued)

A. Office of Business and Administration (continued)

2. State of Ohio Contracts/Grants (continued)

1. \$3,742.00 from State of Ohio, Department of Education, Division of Vocational Education, Columbus, Ohio, for Administration of the Vocational Education Personnel Development Program for Ohio, under the direction of Academic Faculty of Vocational-Technical Education, for period July 1, 1975 through August 31, 1976.

TOTAL - State of Ohio Contracts/Grants \$439,204.00

3. Industrial and Other Contracts/Grants

- a. \$180,063.00 from Ministry of Education, Imperial Government of Iran, Tehran, Iran, for a Training Program for Home Economics Department Heads, under the direction of School of Home Economics, for period September 1, 1975 through June 30, 1976.
- b. \$65,100.00 from Licking-Delaware Manpower Consortium (The Licking County, Ohio, Commissioners), Newark, Ohio, for defining the role and function of The Ohio State University/Central Ohio Technical College in the delivery of manpower services to clientele of the Licking-Delaware County CETA Program under Title VI, Comprehensive Employment and Training Act of 1973, under the direction of The Ohio State University, Newark Campus, for period August 25, 1975 through June 30, 1976. (CETA Grant No. 39-5076-60, Modification #001)
- c. \$28,000.00 from Salinas Union High School District, Salinas, California, for providing a continuing organizational structure to facilitate the development and implementation of career education in the member school districts in the Alliance for Career Education, under the direction of Center for Vocational Education, for period July 1, 1975 through June 30, 1976. (Contract No. CVE/ACE-107-SUS-75)
- d. \$16,658.00 from Columbus Metropolitan Area Community Action Organization, Columbus, Ohio, for conducting courses for 30 enrollees, under the direction of School of Social Work, for period of two academic quarters, Summer, 1975 through Autumn, 1975.
- e. \$16,092.00 from Greene-Clinton County Board of Mental Health and Retardation, Xenia, Ohio, for evaluation of post-disaster mental health services in Xenia, Ohio, under the direction of Department of Sociology, for period April 1, 1975 through September 30, 1975.

October 15, 1975 meeting, Board of Trustees

III. REPORT OF RESEARCH CONTRACTS, GRANTS, GIFTS, AND AGREEMENTS  
(continued)

A. Office of Business and Administration (continued)

3. Industrial and Other Contracts/Grants (continued)

- f. \$15,190.00 from Commonwealth of Kentucky, Division of Purchases, Executive Department of Finance and Administration, Frankfort, Kentucky, for developing and pilot testing a set of evaluation instruments for Kentucky's regional vocational education advisory committees, under the direction of Center for Vocational Education, for period August 1, 1975 through March 31, 1976. (Account No. 32-3-07-000-104-AF)
- g. \$12,700.00 from The Board of Education, Columbus City School District, Columbus, Ohio, for performing a study of the capacities of each school building within the Columbus School District, under the direction of Academic Faculty of Educational Administration, for period of four months.
- h. \$9,972.00 from Columbus Metropolitan Area Community Action Organization, Columbus, Ohio, for conducting courses for 30 enrollees, under the direction of College of Education, for period of one academic quarter, Autumn, 1975.
- i. \$7,012.00 from North Central Regional Center for Rural Development, Iowa State University of Science and Technology, Ames, Iowa, for development of educational materials related to land use which will have usefulness in land use educational programs throughout the North Central Region, under the direction of Department of Agricultural Economics and Rural Sociology, for period March 15, 1976 through June 15, 1976.
- j. \$5,618.00 from The Sears, Roebuck Foundation, Chicago, Illinois, for Officer Friendly Program, under the direction of Center for Vocational Education, for period September 30, 1975 through December 31, 1975.
- k. \$3,500.00 from University of Maine, College of Education, Orono, Maine, for the Comprehensive Career Education Project, under the direction of Center for Vocational Education, for period August 1, 1975 through June 30, 1976.

TOTAL - Industrial and Other Contracts \$359,905.00

October 15, 1975 meeting, Board of Trustees

III. REPORT OF RESEARCH CONTRACTS, GRANTS, GIFTS, AND AGREEMENTS  
(continued)

B. The Ohio State University Research Foundation

1. Federal Research Contracts/Grants

- a. \$155,917.00 from National Institute of Law Enforcement and Criminal Justice, Law Enforcement Assistance Administration, Department of Justice, Washington, D. C., for Residential Inmate Aftercare for Adult Offenders, under the direction of School of Public Administration, for period August 25, 1975 through February 24, 1976. (Project 4295-A1 - New)
- b. \$128,980.00 from Department of Health, Education, and Welfare, Public Health Service, Health Manpower Branch, Regional Health Administration, Chicago, Illinois, for Health Professions Special Project, under the direction of College of Medicine, for period July 1, 1975 through June 30, 1976. (Project 4246-A1 - New)
- c. \$128,807.00 from Department of Health, Education, and Welfare, Public Health Service, National Institutes of Health, National Library of Medicine, Bethesda, Maryland, for Analysis of Teaching Skills, under the direction of College of Medicine, for period June 25, 1975 through December 24, 1976. (Project 4249-A1 - New)
- d. \$79,972.00 from Department of Health, Education, and Welfare, Public Health Service, National Institutes of Health, National Institute of Child Health and Human Development, Bethesda, Maryland, for Comparative Studies in Perinatal Toxicology, under the direction of Department of Veterinary Physiology and Pharmacology, for period October 1, 1975 through September 30, 1976. (Project 2962-F - Ext. #6)
- e. \$79,828.00 additional funds from Department of the Air Force, Air Force Special Weapons Center (PMRB), Kirtland Air Force Base, New Mexico, for Advanced GTD Aircraft Study, under the direction of ElectroScience Laboratory. (Project 4172-A1 - Mod. #P00002)
- f. \$59,824.00 from Department of Health, Education, and Welfare, Public Health Service, National Institutes of Health, National Institute of Neurological and Communicative Disorders and Stroke, Bethesda, Maryland, for Serous Otitis Media: Immunochemical and Electron Microscopic Investigation, under the direction of Department of Otolaryngology, for period September 1, 1975 through August 31, 1976. (Project 2949-E - Ext. #5)

III. REPORT OF RESEARCH CONTRACTS, GRANTS, GIFTS, AND AGREEMENTS  
(continued)

B. The Ohio State University Research Foundation (continued)

1. Federal Research Contracts/Grants (continued)

- g. \$39,996.00 from Department of Air Force, Electronic Systems Division, Air Force Systems Command, Hanscom Air Force Base, Massachusetts, for Continuation of the Investigation of the Multi-Frequency Radar Reflectivity of Radar Target Identification, under the direction of ElectroScience Laboratory, for period April 10, 1972 through June 30, 1976. (Project 3424-A1 - Mod. #P00004)
- h. \$39,985.00 additional funds from Department of the Air Force, Air Force Systems Command, Aeronautical Systems Division (PPMEA), Wright-Patterson Air Force Base, Ohio, for Low Radar Cross-Section Antenna Study, under the direction of Electro-Science Laboratory. (Project 4103-A1 - Mod. #P00002)
- i. \$37,234.00 from Department of Health, Education, and Welfare, Public Health Service, National Institutes of Health, National Institute of General Medical Sciences, Bethesda, Maryland, for Polyfunctional Catalysis, under the direction of Department of Chemistry, for period August 1, 1975 through July 31, 1976. (Project 3292-A5 - Ext. #4)
- j. \$36,086.00 from Department of Health, Education, and Welfare, Public Health Service, National Institutes of Health, National Institute of Neurological and Communicative Disorders and Stroke, Bethesda, Maryland, for Development of Selective B-Adreno-receptive Agents, under the direction of College of Pharmacy, for period September 1, 1975 through August 31, 1976. (Project 3798-A3 - Ext. #2)
- k. \$35,000.00 from Department of the Air Force, Aeronautical Systems Division, Air Force Systems Command, Wright-Patterson Air Force Base, Ohio, for Advanced Transonic Airfoil Investigation Including Wall and Scale Effects, under the direction of Department of Aeronautical and Astronautical Engineering, for period August 18, 1975 through July 18, 1977. (Project 4294-A1 - New)
- l. \$30,886.00 from Department of Health, Education, and Welfare, Public Health Service, National Institutes of Health, National Institute of Neurological and Communicative Disorders and Stroke, Bethesda, Maryland, for Stereochemical Studies of Adrenergic Drugs, under the direction of College of Pharmacy, for period September 1, 1975 through August 31, 1976. (Project 3034-A6 - Ext. #6)

October 15, 1975 meeting, Board of Trustees

III. REPORT OF RESEARCH CONTRACTS, GRANTS, GIFTS, AND AGREEMENTS  
(continued)

B. The Ohio State University Research Foundation (continued)

1. Federal Research Contracts/Grants (continued)

- m. \$24,500.00 from Energy Research and Development Administration, Brookhaven National Laboratory, Associated Universities, Inc., Upton, Long Island, New York, for Study of Repair Mechanisms in Carcinogenesis, under the direction of Department of Radiology, for period July 1, 1975 through June 30, 1976. (Project 4250-A1 - New)
- n. \$18,332.00 from Department of Health, Education, and Welfare, Public Health Service, National Institutes of Health, National Institute of Child Health and Human Development, Bethesda, Maryland, for Studies on the Effect of Obesity on Reproduction, under the direction of Department of Physiology and Pharmacology, for period September 1, 1975 through August 31, 1976. (Project 4041-A2 - Ext. #1)
- o. \$14,983.00 from Department of Health, Education, and Welfare, Public Health Service, National Institutes of Health, National Institute of General Medical Sciences, Bethesda, Maryland, for Metabolism of 6-Deoxyhexoses, under the direction of Department of Biochemistry, for period September 1, 1975 through August 31, 1976. (Project 2701-G - Ext. #7)
- p. \$12,572.00 from National Aeronautics and Space Administration, George C. Marshall Space Flight Center, Huntsville, Alabama, for Close Grid Geodynamic Satellite (CLOGEOS) Measurement System Definition, under the direction of Department of Geodetic Science, for period January 1, 1975 through October 15, 1975. (Project 4105-A1 - Mod. #1)
- q. \$9,037.00 from National Aeronautics and Space Administration, Goddard Space Flight Center, Greenbelt, Maryland, for The Direct Combination of Satellite and Gravity Data, under the direction of Department of Geodetic Science, for period May 1, 1971 through January 31, 1976. (Project 3210-A1 - Sup. #6)
- r. \$5,098.00 from National Institute of Law Enforcement and Criminal Justice, Law Enforcement Assistance Division, Department of Justice, Washington, D. C., for Analysis of the Process of Policy Implementation Through Case Studies, under the direction of Department of Political Science, for period August 15, 1975 through August 14, 1976. (Project 4292-A1 - New)

October 15, 1975 meeting, Board of Trustees

III. REPORT OF RESEARCH CONTRACTS, GRANTS, GIFTS, AND AGREEMENTS  
(continued)

B. The Ohio State University Research Foundation (continued)

1. Federal Research Contracts/Grants (continued)

- s. \$3,918.00 from Department of Health, Education, and Welfare, Office of Education, Washington, D. C., for Acquisition of Academic Library Resources (Newark), under the direction of University Libraries, for period July 1, 1975 through June 30, 1976. (Project 4284-A1 - New)
- t. \$3,918.00 from Department of Health, Education, and Welfare, Office of Education, Washington, D. C., for Acquisition of Academic Library Resources (Main Library), under the direction of University Libraries, for period July 1, 1975 through June 30, 1976. (Project 4285-A1 - New)
- u. \$3,918.00 from Department of Health, Education, and Welfare, Office of Education, Washington, D. C., for Acquisition of Academic Library Resources (Mansfield), under the direction of University Libraries, for period July 1, 1975 through June 30, 1976. (Project 4286-A1 - New)
- v. \$3,918.00 from Department of Health, Education, and Welfare, Office of Education, Washington, D. C., for Acquisition of Academic Library Resources (Lima), under the direction of University Libraries, for period July 1, 1975 through June 30, 1976. (Project 4287-A1 - New)
- w. \$3,918.00 from Department of Health, Education, and Welfare, Office of Education, Washington, D. C., for Acquisition of Academic Library Resources (Marion), under the direction of University Libraries, for period July 1, 1975 through June 30, 1976. (Project 4288-A1 - New)
- x. \$3,918.00 from Department of Health, Education, and Welfare, Office of Education, Washington, D. C., for Acquisition of Academic Library Resources (Wooster), under the direction of University Libraries, for period July 1, 1975 through June 30, 1976. (Project 4289-A1 - New)
- y. \$3,000.00 from National Science Foundation, Washington, D. C., for Electronic Hand Calculators: The Implications for Pre-College Education, under the direction of Academic Faculty of Science and Mathematics Education, for period March 1, 1975 through February 29, 1976. (Project 4162-A1 - Mod. #A01)
- z. \$2,300.00 additional funds from National Science Foundation, Washington, D. C., for Metal Carbonyls and Metal-Carbon Bonds, under the direction of Department of Chemistry. (Project 3536-A1 - NSF Letter Dated August 18, 1975)

October 15, 1975 meeting, Board of Trustees

III. REPORT OF RESEARCH CONTRACTS, GRANTS, GIFTS, AND AGREEMENTS  
(continued)

B. The Ohio State University Research Foundation (continued)

1. Federal Research Contracts/Grants (continued)

- aa. \$2,240.00 additional funds from Department of Health, Education, and Welfare, Public Health Service, National Institutes of Health, National Cancer Institute, Bethesda, Maryland, for Synthesis and Chemistry of Diazo Compounds, under the direction of Department of Chemistry. (Project 2793-F - Revision Dated August 25, 1975)

TOTAL - Federal Research Contracts/Grants \$968,085.00

2. Industrial, Private, and Other Non-Federal Research Contracts/Grants

- a. \$107,200.00 from World Health Organization, Human Reproduction Unit, Geneva, Switzerland, for Evaluation of Active Immunization with Synthetic Peptides and Fragments of hCG as a Fertility Control Method, under the direction of Department of Obstetrics and Gynecology, for period July 1, 1975 through June 30, 1976. (Project 3686-C1 - New)
- b. \$49,525.00 from National Council of Teachers of Mathematics, Reston, Virginia, for Assessment of Policies and Procedures for In-Service Education in Mathematics, under the direction of Academic Faculty of Science and Mathematics Education, for period July 15, 1975 through August 15, 1976. (Project 4296-A1 - New)
- c. \$10,923.00 from Southwest Oncology Group, Kansas City, Kansas, for Southwest Oncology Group, under the direction of Department of Radiology, for period July 1, 1975 through December 31, 1975. (Project 4247-A1 and B1 - New)
- d. \$7,502.00 from American Heart Association, Central Ohio Heart Chapter, Inc., Columbus, Ohio, for Physiological Responses of Females in Interval Training Programs, under the direction of School of Health, Physical Education, and Recreation, for period October 1, 1975 through September 30, 1976. (Project 4261-A1 - New)
- e. \$7,500.00 from American Heart Association, Central Ohio Heart Chapter, Inc., Columbus, Ohio, for FT-Infrared Probe of Oxygen Use in Heart Tissue, under the direction of Department of Physiological Chemistry, for period October 1, 1975 through September 30, 1976. (Project 4253-A1 - New)
- f. \$7,500.00 from American Heart Association, Central Ohio Heart Chapter, Inc., Columbus, Ohio, for Magnesium and Cardiac Energy Metabolism, under the direction of Department of Physiological Chemistry, for period October 1, 1975 through September 30, 1976. (Project 4255-A1 - New)



October 15, 1975 meeting, Board of Trustees

III. REPORT OF RESEARCH CONTRACTS, GRANTS, GIFTS, AND AGREEMENTS  
(continued)

B. The Ohio State University Research Foundation (continued)

2. Industrial, Private, and Other Non-Federal  
Research Contracts/Grants (continued)

- g. \$7,500.00 from American Heart Association, Central Ohio Heart Chapter, Inc., Columbus, Ohio, for Surface Morphology of Coronary Arteries, under the direction of Department of Pathology, for period October 1, 1975 through September 30, 1976. (Project 4256-A1 - New)
- h. \$7,500.00 from American Heart Association, Central Ohio Heart Chapter, Inc., Columbus, Ohio, for Effect of Prostaglandin Upon Hypertension and Na Balance, under the direction of Department of Medicine, for period October 1, 1975 through September 30, 1976. (Project 4257-A1 - New)
- i. \$7,500.00 from American Heart Association, Central Ohio Heart Chapter, Inc., Columbus, Ohio, for The Biophysical Aspects of Atheroma Stability, under the direction of College of Pharmacy, for period October 1, 1975 through September 30, 1976. (Project 4262-A1 - New)
- j. \$7,500.00 from American Heart Association, Central Ohio Heart Chapter, Inc., Columbus, Ohio, for Beta Blockade: Effects During Anoxic Cardiac Arrest, under the direction of Department of Surgery, for period October 1, 1975 through September 30, 1976. (Project 4266-A1 - New)
- k. \$7,500.00 from American Heart Association, Central Ohio Heart Chapter, Inc., Columbus, Ohio, for Coronary Impedance and Regional Flow in Myocardial Hypertrophy, under the direction of Department of Surgery, for period October 1, 1975 through September 30, 1976. (Project 4267-A1 - New)
- l. \$7,500.00 from American Heart Association, Central Ohio Heart Chapter, Inc., Columbus, Ohio, for Correlation of Propranolol Plasma Levels with Therapeutic Effect, under the direction of College of Pharmacy, for period October 1, 1975 through September 30, 1976. (Project 4268-A1 - New)
- m. \$7,500.00 from American Heart Association, Central Ohio Heart Chapter, Inc., Columbus, Ohio, for The Renin-Angiotension System: A Comparative View, under the direction of Department of Physiology, for the period October 1, 1975 through September 30, 1976. (Project 4270-A1 - New)

October 15, 1975 meeting, Board of Trustees

III. REPORT OF RESEARCH CONTRACTS, GRANTS, GIFTS, AND AGREEMENTS  
(continued)

B. The Ohio State University Research Foundation (continued)

2. Industrial, Private, and Other Non-Federal  
Research Contracts/Grants (continued)

- n. \$7,500.00 from American Heart Association, Central Ohio Heart Chapter, Inc., Columbus, Ohio, for Electrophysiology and Histologic Evaluation of the Sinoatrial Region - An Addendum, under the direction of Department of Medicine, for period October 1, 1975 through September 30, 1976. (Project 4271-A1 - New)
- o. \$7,500.00 from American Heart Association, Central Ohio Heart Chapter, Inc., Columbus, Ohio, for Mechanism of Inotropic Effects of N,N,bisdichloroacetamides, under the direction of Department of Physiological Chemistry, for period October 1, 1975 through September 30, 1976. (Project 4272-A1 - New)
- p. \$7,500.00 from American Heart Association, Central Ohio Heart Chapter, Inc., Columbus, Ohio, for Prostaglandins and Platelet Aggregation, under the direction of Department of Physiological Chemistry, for period October 1, 1975 through September 30, 1976. (Project 4275-A1 - New)
- q. \$7,500.00 from American Heart Association, Central Ohio Heart Chapter, Inc., Columbus, Ohio, for Topology and Conformation Changes in Respiratory Complexes of Heart Muscle, under the direction of Department of Physiological Chemistry, for period October 1, 1975 through September 30, 1976. (Project 4278-A1 - New)
- r. \$7,500.00 from American Heart Association, Central Ohio Heart Chapter, Inc., Columbus, Ohio, for Electrophysiologic Studies of Atrial Flutter, under the direction of Department of Medicine, for period October 1, 1975 through September 30, 1976. (Project 4280-A1 - New)
- s. \$7,500.00 from American Heart Association, Central Ohio Heart Chapter, Inc., Columbus, Ohio, for Action of Carbon Monoxide on Coronary Vasculature, under the direction of Department of Physiology, for period October 1, 1975 through September 30, 1976. (Project 4283-A1 - New)
- t. \$7,498.00 from American Heart Association, Central Ohio Heart Chapter, Inc., Columbus, Ohio, for Cardiac Electrophysiology in Normal and Diseased Swine, under the direction of Department of Veterinary Clinical Sciences, for period October 1, 1975 through September 30, 1976. (Project 4273-A1 - New)

October 15, 1975 meeting, Board of Trustees

III. REPORT OF RESEARCH CONTRACTS, GRANTS, GIFTS, AND AGREEMENTS  
(continued)

B. The Ohio State University Research Foundation (continued)

2. Industrial, Private, and Other Non-Federal  
Research Contracts/Grants (continued)

- u. \$7,497.00 from American Heart Association, Central Ohio Heart Chapter, Inc., Columbus, Ohio, for Ion Permeability in Model Membranes, under the direction of Department of Physiological Chemistry, for period October 1, 1975 through September 30, 1976. (Project 4281-A1 - New)
- v. \$7,494.00 from American Heart Association, Central Ohio Heart Chapter, Inc., Columbus, Ohio, for Hot Film Velocity Measurements in Aortocoronary Vein Grafts in Horses, under the direction of Department of Aeronautical and Astronautical Engineering, for period October 1, 1975 through September 30, 1976. (Project 4274-A1 - New)
- w. \$7,486.00 from American Heart Association, Central Ohio Heart Chapter, Inc., Columbus, Ohio, for Mechanical Efficiency of the Left Ventricle in Intact Dogs, under the direction of Department of Physiology, for period October 1, 1975 through September 30, 1976. (Project 4276-A1 - New)
- x. \$7,486.00 from American Heart Association, Central Ohio Heart Chapter, Inc., Columbus, Ohio, for Immune Complex Induced Acute Aortic Injury, under the direction of Department of Pathology, for period October 1, 1975 through September 30, 1976. (Project 4282-A1 - New)
- y. \$7,455.00 from American Heart Association, Central Ohio Heart Chapter, Inc., Columbus, Ohio, for Characterization of the Heart as a Pump, under the direction of Department of Physiology, for period October 1, 1975 through September 30, 1976. (Project 4260-A1 - New)
- z. \$7,445.00 from American Heart Association, Central Ohio Heart Chapter, Inc., Columbus, Ohio, for Significance of the Brody Effect in ECG Detection of Left Ventricular Hypertrophy, under the direction of Department of Veterinary Physiology and Pharmacology, for period October 1, 1975 through September 30, 1976. (Project 4265-A1 - New)
- aa. \$7,350.00 from American Heart Association, Central Ohio Heart Chapter, Inc., Columbus, Ohio, for Non-Aqueous Fractionation of Heart Muscle, under the direction of Department of Physiological Chemistry, for period October 1, 1975 through September 30, 1976. (Project 4259-A1 - New)

October 15, 1975 meeting, Board of Trustees

III. REPORT OF RESEARCH CONTRACTS, GRANTS, GIFTS, AND AGREEMENTS  
(continued)

B. The Ohio State University Research Foundation (continued)

2. Industrial, Private, and Other Non-Federal  
Research Contracts/Grants (continued)

- bb. \$6,799.00 from American Heart Association, Central Ohio Heart Chapter, Inc., Columbus, Ohio, for Lipid Metabolism as a Function of Dietary Carbohydrate, under the direction of Department of Food Science and Nutrition, for period October 1, 1975 through September 30, 1976. (Project 4254-A1 - New)
- cc. \$6,626.00 from American Heart Association, Central Ohio Heart Chapter, Inc., Columbus, Ohio, for Vascular Disease in Homocystinuria, under the direction of Department of Medicine, for period October 1, 1975 through September 30, 1976. (Project 4264-A1 - New)
- dd. \$6,405.00 from American Heart Association, Central Ohio Heart Chapter, Inc., Columbus, Ohio, for Mechanical Control and Energetics of Muscle Contraction, under the direction of Department of Physiology, for period October 1, 1975 through September 30, 1976. (Project 4277-A1 - New)

TOTAL - Industrial, Private, and Other Non-Federal  
Research Contracts/Grants \$367,191.00

C. The Engineering Experiment Station

1. Federal Research Contract

- a. \$39,872.00 from U. S. Department of the Interior, Washington, D. C., for Fate of Trace Elements in Sewage Sludge Amended Soils, under the direction of Water Resources Center, for period July 1, 1975 through June 30, 1977. (EES 519)

2. State Research Contract

- a. \$40,440.00 from Ohio Department of Transportation, Columbus, Ohio, for Field Performance of Flexible Culvert Pipes, under the direction of Department of Civil Engineering, for period September 5, 1975 through September 4, 1976. (EES 463, Ext. 2)

3. Industrial and Other Research Contracts

- a. \$121,040.33 from Electric Power Research Institute, New York, New York, for Fuel Utilization in Residential Heating, under the direction of Department of Mechanical Engineering, for period July 30, 1975 through October 29, 1975. (EES 460)

October 15, 1975 meeting, Board of Trustees

III. REPORT OF RESEARCH CONTRACTS, GRANTS, GIFTS, AND AGREEMENTS  
(continued)

C. The Engineering Experiment Station (continued)

3. Industrial and Other Research Contracts (continued)

- b. \$104,600.00 from Columbia Gas System Service Corporation, Columbus, Ohio, for Detection of Buried Pipe from the Shovel of a Back Hoe, under the direction of Department of Electrical Engineering, for period August 8, 1975 through November 30, 1976. (EES 479, Ext. #2)
- c. \$5,000.00 from Whirlpool Corporation, Benton Harbor, Michigan, for Task Studies in Ultrasonics, under the direction of Department Engineering Mechanics, for the period August 1, 1975 through July 31, 1976. (EES 528)

TOTAL - Industrial and Other Research Contracts \$230,640.33

D. The Ohio State University Development Fund

1. Gifts of \$5,000 or More

- a. \$70,000.00 from Ohio Lions Eye Research Foundation, Springfield, Ohio, for support of various projects in the College of Optometry.
- b. \$34,143.00 from Estate of Edna B. Ziebold, San Diego, California--\$15,000.00 for a new project to provide funds for feature film rental and publicity and for establishment of an American History Film Collection; \$9,643.00 for the University Art Collection; and \$9,500.00 for the purchase of the Francis Utley Library Collection.
- c. \$29,166.00 from Eli Lilly and Company, Indianapolis, Indiana--\$12,525.00 for infectious disease research; \$8,891.00 for the clinical pharmacology of Dobutamine - drug research fund; \$7,000.00 for organic chemistry research; and \$750.00 for the Microbial Genetics Bulletin Fund.
- d. \$25,000.00 from The Yassenoff Foundation, Inc., Columbus, Ohio, for the Leo Yassenoff Chair of Jewish Philosophy.
- e. \$12,000.00 from The Procter & Gamble Company, Cincinnati, Ohio, for the Veterinary Pathobiology Graduate Training Fund.
- f. \$10,000.00 from Ohio Florists Association, Columbus, Ohio, for their fellowship fund in Horticulture.
- g. \$9,593.50 from Merrell-National Laboratories, Division of Richardson-Merrell, Inc., Cincinnati, Ohio for general pharmacology research.

October 15, 1975 meeting, Board of Trustees

III. REPORT OF RESEARCH CONTRACTS, GRANTS, GIFTS, AND AGREEMENTS  
(continued)

D. The Ohio State University Development Fund (continued)

1. Gifts of \$5,000 or More (continued)

- h. \$9,000.00 from Rohm and Haas Company, Philadelphia, Pennsylvania--\$5,000.00 to support the graduate education program in the Department of Chemistry; \$3,000.00 to support the Department of Chemical Engineering for whatever purpose deemed necessary by the Chairman; and \$1,000.00 for their scholarship in Chemical Engineering.
- i. \$7,500.00 from Pitman-Moore, Inc., Washington Crossing, New Jersey, for infectious disease research in the Department of Veterinary Pathobiology in the College of Veterinary Medicine.
- j. \$7,299.18 from The Associates of Medicine, Columbus, Ohio, for support of the Department of Medicine General Fund.
- k. \$6,870.00 from Laborers' District Council of Ohio, Columbus, Ohio, for their scholarship fund.
- l. \$6,454.00 from John S. Vasko, M.D., Ashville, Ohio, for the Thoracic Surgery Support Fund.
- m. \$5,675.00 from Pfizer, Inc., New York, New York, for research in Endocrinology.
- n. \$5,382.00 from James W. Kilman, M.D., Columbus, Ohio, for the Thoracic Surgery Support Fund.
- o. \$5,000.00 from Dr. J. E. Salsbury Foundation, Charles City, Iowa, for the Department of Veterinary Pathobiology.
- p. \$5,000.00 from Ohio Contractors Association, Columbus, Ohio, for their project to supplement salaries for faculty engaged in teaching courses involving Construction Engineering.

2. Gift-in-Kind

- a. Jon Whitcomb, well-known magazine and advertising illustrator and an Ohio State alumnus, has offered the University a collection of his writings, portraits, drawings, and pictures which will serve as a rich resource for research by students of advertising art, photography and cinema, journalism and fine arts.

The University is fortunate to add this collection of radio scripts, records and tapes, acrylics, paintings, photographic negatives, book and article manuscripts, and magazine illustrations to its research holdings in the field of mass communications.

October 15, 1975 meeting, Board of Trustees

III. REPORT OF RESEARCH CONTRACTS, GRANTS, GIFTS, AND AGREEMENTS  
(continued)

D. The Ohio State University Development Fund (continued)

2. Gift-in-Kind (continued)

- a. Whitcomb is a native of Weatherford, Oklahoma; he recently moved from Darien, Connecticut, and now resides in New York City. As a student at Ohio State, Whitcomb published illustrated articles in a campus humor magazine alongside the writings of his well-known classmate, cartoonist Milton Caniff. Whitcomb received a bachelor's degree from Ohio State in 1928.

In addition to his national reputation as a commercial illustrator Mr. Whitcomb was a prime motivator for the Famous Artists School, where many young artists have already had the advantage of his talent and experience.

Although research would be the primary use of this collection, it is Mr. Whitcomb's intention that the collection be open and available to the largest possible number of students and others who have an interest in written, pictorial and artistic mass communications.

It is recommended that Mr. Whitcomb's generous offer be accepted, and that the Whitcomb collection be established and appropriately housed with the Milton Caniff collection at the School of Journalism, College of Social and Behavioral Sciences, at The Ohio State University.

3. Establishment of Named Funds

- a. \$10,000.00 from Mr. and Mrs. Jack S. Resler for the establishment of The Jack and Eleanor Resler Dean's Fund.

The Jack and Eleanor Resler Dean's Fund

The Jack and Eleanor Resler Dean's Fund was established October 15, 1975, by the Board of Trustees of The Ohio State University with a gift to The Ohio State University Development Fund from Mr. and Mrs. Jack S. Resler, B.S. Bus. Adm. '25, of Columbus, Ohio.

All gifts are to be invested in the University's Permanent Endowment Fund, under the rules and regulations adopted by the Board of Trustees of The Ohio State University, with the right to invest and reinvest as occasion dictates.

The annual income is for the discretionary use of the Dean of the College of Administrative Science. This may include expenses for travel, research, student project costs, and any other similar expenses incurred by the College to make it a better place to work and learn.

III. REPORT OF RESEARCH CONTRACTS, GRANTS, GIFTS, AND AGREEMENTS  
(continued)

D. The Ohio State University Development Fund (continued)

3. Establishment of Named Funds (continued)

a. The Jack and Eleanor Resler Dean's Fund (continued)

Should the need for this discretionary fund cease to exist or so diminish as to provide unused income, then the income may be used for any purpose whatsoever as determined by the Board of Trustees, with preference being given to recommendations from the appropriate administrative official of the University who is then directly responsible for business education.

b. \$1,000.00 from Mary E. Harper, Amlin, Ohio, for the establishment of the George Harper Memorial Fund, in memory of her husband, George Harper.

George Harper Memorial Fund

The George Harper Memorial Fund was established October 15, 1975, by the Board of Trustees of The Ohio State University with gifts to The Ohio State University Development Fund from Mary E. Harper, Amlin, Ohio, in memory of her husband, George L. Harper.

All gifts are to be invested in the University's Permanent Endowment Fund under the rules and regulations adopted by the Board of Trustees of The Ohio State University, with the right to invest and reinvest as occasion dictates.

The annual income is to be used to provide one or more scholarships for students enrolled in the College of Agriculture and Home Economics and majoring in Food Science and Nutrition. The selection of the recipient(s) is to be made by the University Scholarship Committee upon the recommendation of the Chairman of the Department of Food Science and Nutrition. Students who have demonstrated academic ability and have expressed interest in the dairy industry will be considered for this scholarship.

Should the need for these scholarships cease to exist or so diminish as to provide unused income, then the income may be used for any purpose whatsoever as determined by the Board of Trustees, with preference being given to recommendations from the appropriate administrative official of the University who is directly responsible for Food Science and Nutrition education.

\*

\*

\*



October 15, 1975 meeting, Board of Trustees

#### IV. BUSINESS AND ADMINISTRATION

##### A. Architects or Engineers

##### 1. Ives Hall Improvements and Haskett Hall Remodeling

President Enarson recommended that the firm of Wright, Keske, Kritschgau, Rosen, Buchanan, Inc., Columbus, Ohio, be employed to provide complete architectural and engineering services for this project, including preliminary plans, basic drawings, working drawings, specifications, estimates of cost, necessary bidding documents and supervision of construction.

The improvements of Ives Hall for the Department of Agricultural Engineering will include additional and improved office space for faculty and staff utilizing open office landscape techniques, improved space for conducting graduate level research programs and improved lighting in selected teaching laboratories.

The Haskett Hall Remodeling for the Department of Photography and Cinema will involve development of a combined motion picture/still picture processing laboratory complex; a new women's rest room; four new faculty offices; a graduate student office; a faculty/staff lounge; improvement of corridors; the accounting and service areas; existing rest rooms and three laboratory/studio areas. The project will also involve improvement of the main building entrance and replacement of exterior windows as funds will permit.

The fee for this service will be negotiated between the firm and the Department of Administrative Services, Division of Public Works. The total project cost is \$230,000.00.

Funds for this service have been provided from H.B. 687, Item 315-074 (Utilities and Renovation).

##### 2. Classroom Improvements

President Enarson recommended that the firm of Wandel & Schnell, Columbus, Ohio, be employed to provide complete architectural and engineering services for this project, including preliminary plans, basic drawings, working drawings, specifications, estimates of cost, necessary bidding documents, and supervision of construction.

This project involves improvements to the large lecture halls in McPherson Laboratory (Room 100) and Campbell Hall (Room 200).

These rooms will be improved to meet contemporary standards for specialized lecture-auditorium facilities with special attention to acoustics, lighting, new seating, circulation patterns, instruction aid, appearance and ventilation.

October 15, 1975 meeting, Board of Trustees

IV. BUSINESS AND ADMINISTRATION (continued)

A. Architects or Engineers (continued)

2. Classroom Improvements (continued)

The fee for this service will be negotiated between the firm and the Department of Administrative Services, Division of Public Works. The total project cost is \$200,000.00.

Funds for this service have been provided from H.B. 687, Item 315-074 (Utilities and Renovation).

3. Improvements Projects for the Handicapped

President Enarson recommended that the firm of Schooley Cornelius Associates, Columbus, Ohio, be employed to provide complete architectural and engineering services for this project, including preliminary plans, basic drawings, working drawings, specifications, estimates of cost, necessary bidding documents and supervision of construction.

This project is a continuation of the University's effort to remove architectural barriers and to provide facilities within the buildings for the handicapped. This project will provide new elevators in five buildings, modification of nine one-bedroom units in Buckeye Village, modification of the pedestrian tunnel in the West Campus, drinking fountains, rest room room numbering, and elevator controls in certain buildings, building access ramps at twelve buildings, and additional curb ramps. Work will be performed on the Columbus campus and the Regional campuses.

The fee for this service will be negotiated between the firm and the Department of Administrative Services, Division of Public Works. The total project cost is \$921,233.00.

Funds for this service have been provided from the Rehabilitation Services Commission Grant and local funds.

Upon motion of Mr. Harrod, seconded by Mr. Gushman, the above recommendations were approved by unanimous roll call vote.

B. Plans and Specifications

At the request of the Vice President for Business and Administration, President Enarson recommended that the plans and specifications, bills of materials, and estimates of cost for the following project be approved by the Board of Trustees:

October 15, 1975 meeting, Board of Trustees

IV. BUSINESS AND ADMINISTRATION (continued)

B. Plans and Specifications (continued)

1. Interior Painting--Botany and Zoology,  
Campbell Hall, and Hughes Hall

This project will provide for repairs to badly deteriorated plaster and repainting of interior surfaces in various areas of each building. These buildings were last painted in the early 1960's.

Funds are budgeted in Budget Account 126070 (Contract Repair).

Upon motion of Dr. Jacob, seconded by Mrs. James, the above recommendation was approved by unanimous roll call vote, and the Secretary was authorized and directed to sign the plans and specifications for the above project for and on behalf of the Board of Trustees. The Vice President for Business and Administration was directed to proceed with the request for bids in the normal University manner, and if satisfactory bids are received, to proceed with the award of contracts. All action regarding this matter will be reported to the Board of Trustees at a later meeting.

C. Report of Award of Contracts

In accordance with authorization provided by the Board of Trustees, bids were taken on the projects listed below and the contracts were recommended for award. The action reported to the Board was as follows:

1. Derby Hall Remodeling

	<u>Low Bid</u>	<u>Est. of Cost</u>
<u>General Contract</u> (6 bids received 8-28-75)		
Arjay Construction Company (Columbus)		
Base bid	\$ 98,476.00*	\$ 94,183.00
Alt. G-1 K-Krete Mix in lieu of granular mix	+ 410.00	+ 3,000.00
Total Contract	<u>\$ 98,886.00</u>	<u>\$ 97,183.00</u>
<u>Plumbing Contract</u> (5 bids received 8-28-75)		
Julian Speer Company (Columbus)	<u>\$ 3,800.00</u>	<u>\$ 8,546.00</u>
<u>Heating, Ventilating and Air Conditioning Contract</u> (5 bids received 8-28-75)		
Julian Speer Company (Columbus)	<u>\$ 22,180.00</u>	<u>\$ 28,372.00</u>

\*The General Contract exceeded the estimate of cost; however, the total of all bids is under the total project funds available. It was recommended that Controlling Board approval be obtained, since it is believed no better bids would be received by readvertising.

October 15, 1975 meeting, Board of Trustees

IV. BUSINESS AND ADMINISTRATION (continued)

C. Report of Award of Contracts (continued)

1. Derby Hall Remodeling (continued)

	<u>Low Bid</u>	<u>Est. of Cost</u>
<u>Electrical Contract</u> (4 bids received 8-28-75) Demos Electric Co., Inc. (Columbus)	<u>\$ 44,680.00</u>	<u>\$ 50,000.00</u>
<u>Total All Contracts</u>	<u>\$169,546.00</u>	<u>\$181,101.00</u>

Funds for this project have been provided from H. B. 687 (Utilities and Renovation) and local funds.

2. Research Center, Roof Repairs

	<u>Low Bid</u>	<u>Est. of Cost</u>
<u>General Contract</u> (2 bids received 9-10-75) Superior Roofing Company (Columbus)	<u>\$ 43,445.00</u>	<u>\$ 68,000.00</u>
Alt. G-1 Remove and replace additional 6,700 sq. ft. existing roof felts	<u>+ 8,773.00</u>	<u>+ 15,000.00</u>
Alt. G-2 Remove and replace additional 2,200 sq. ft. existing roof felts	<u>+ 3,752.00</u>	<u>+ 5,000.00</u>
<u>Total Contract</u>	<u>\$ 55,970.00</u>	<u>\$ 88,000.00</u>

Funds for this project have been provided from Budget Account 126070 (Contract Repair).

Upon motion of Dr. Sirak, seconded by Mrs. James, the above award of contracts and expenditure of funds were approved, and the action of the Vice President for Business and Administration was ratified by unanimous roll call vote.

D. Other

1. Clinical Medical Sciences Education Facility (Supporting Services Phase), (Phase I), and Clinical Medical Sciences Education Facility, Phase II

The firm of Page Southerland Page of Austin, Texas, was approved as project architects by action of the Board of Trustees at the meeting of June 4, 1971 for Phase I of this project, and subsequently approved for additional services by the Board of Trustees on September 5, 1975 incorporating the work on Phase II.

October 15, 1975 meeting, Board of Trustees

IV. BUSINESS AND ADMINISTRATION (continued)

D. Other (continued)

1. Clinical Medical Sciences Education Facility (Supporting Services Phase), (Phase I), and Clinical Medical Sciences Education Facility, Phase II (continued)

President Enarson recommended that the firm of Page Southerland Page be authorized to employ Knowlton Construction Company, Bellefontaine, Ohio, as Construction Managers for the complete Clinical Medical Sciences Education Facility (Supporting Services Phase), (Phase I), and Clinical Medical Sciences Education Facility, Phase II, provided that such employment meets with the approval of the Department of Administrative Services and the Controlling Board of the State of Ohio.

This contract arrangement was recommended by and has full knowledge and concurrence of the Department of Administrative Services, Division of Public Works, which agency has the legal contracting authority for these projects.

A request will be made to the Controlling Board for approval of Associate Architect's fees and Construction Management fees, and concurrence in procedures established for expediting and expanding this project.

Upon motion of Dr. Jacob, seconded by Mr. Harrod, the above recommendation was approved by unanimous roll call vote.

\*

\*

\*

V. REPORTS

A. Report on Enrollment

President Enarson reported that the unofficial enrollment figures for Autumn Quarter 1975 show 54,640 students enrolled at all campuses, up two per cent from last fall. The Columbus campus has 50,095 students, representing a two per cent gain over Autumn Quarter 1974. Various trends and breakdowns of current and past enrollments were also presented at this time.

B. Wright Airlines Use of Don Scott Field

President Enarson reviewed a situation which has developed at Don Scott Field in which Wright Airlines, Inc., is operating a scheduled airlines service between Cleveland and the Field without authorization of the Board of Trustees.

After a brief discussion, Mr. Gushman moved, seconded by Mr. Harrod, that the President be authorized to take whatever legal action the University's counsel directs between now and our next Board meeting to preserve the Board's rights at Don Scott Field.

The motion passed unanimously.

October 15, 1975 meeting, Board of Trustees

V. REPORTS (continued)

C. Report on University Investment Portfolio

The report on the University's Investment Portfolio dated October 3, 1975, as submitted to the Fiscal Affairs Committee of the Board of Trustees, was received and ordered to be filed with the official records of the Board.

\* \* \*

VI. GUEST SPEAKER

Mr. James C. Ervin, President of Local 101, Communications Workers of America (CWA), asked and was granted permission to appear before the Trustees. In his presentation Mr. Ervin expressed concern with what he suggested was a breakdown in communication with the administration of this University.

Mr. Dunlap responded:

While this Board is obviously concerned with the issues which you have raised, we consider it inappropriate as a Board to be directly involved in this matter. The Board reserves for its own authority only those matters relating to labor relations policy. And I think clearly the issues which you have presented are ones that the President and his associates must continue to deal with through previously agreed upon procedures.

\* \* \*

Thereupon the Board recessed to discuss collective bargaining in executive session. At the conclusion of this session, the meeting was adjourned to meet Friday, November 7, 1975, at 1:30 p.m., in the Ohio Union.

Attest:

\_\_\_\_\_  
Edward Q. Moulton  
Secretary

\_\_\_\_\_  
John H. Dunlap  
Chairman

Page 263 Blank

Page 264 Blank



THE OHIO STATE UNIVERSITY  
OFFICIAL PROCEEDINGS OF THE  
ONE THOUSAND ONE HUNDRED AND TWELFTH MEETING  
OF THE BOARD OF TRUSTEES

Columbus, Ohio, November 7, 1975

The Board of Trustees met at its regular monthly meeting on Friday, November 7, 1975, at The Ohio State University, Ohio Union, Columbus, Ohio, pursuant to adjournment.

Present: John H. Dunlap, Chairman, M. Merle Harrod, John L. Gushman, Howard D. Sirak, Patricia D. James, Chester Devenow, Warren J Smith, John D. Jacob, and Donald J. Hilliker.

\* \* \*

Minutes of the last meeting were approved.

\* \* \*

The Chairman, Mr. Dunlap, introduced the new member of the Board of Trustees of The Ohio State University:

Donald J. Hilliker, Bellefontaine, Ohio, who was appointed by Governor James A. Rhodes to fill the unexpired term of William C. Safford, beginning September 23, 1975 and ending May 13, 1976, with appointee taking office November 4, 1975. Mr. Safford's resignation was submitted September 22, 1975, so that he could accept an appointment to the Ohio Board of Regents.

\* \* \*

November 7, 1975 meeting, Board of Trustees

Committee Appointment 1975-1976

Fiscal Affairs Committee

Donald J. Hilliker

- o -

RESOLUTIONS IN MEMORIAM

President Enarson reported to the Board the deaths of Otto C. Croy, Professor Emeritus in the Cooperative Extension Service, and Eva M. Kinsey, Associate Professor Emeritus in the Cooperative Extension Service. In accordance with the instructions of the Board of Trustees, copies of the following resolutions expressing on behalf of the University the sorrow and sympathy of the Board will be furnished the families of the deceased.

A. Otto C. Croy

The Board of Trustees of The Ohio State University expresses its sorrow at the death on September 24, 1975, of Otto C. Croy, Professor Emeritus in the Cooperative Extension Service.

Mr. Croy was born August 3, 1890, at Dresden, Ohio. He attended high school in Muskingum County at Dresden, graduating in 1909. Mr. Croy received a Bachelor of Science in Agriculture degree from The Ohio State University in 1913. His graduate education was completed at Cornell University with a Master of Science degree being awarded to him in 1928.

Mr. Croy joined the faculty of The Ohio State University as an emergency county leader for 4-H Club work in Muskingum County in March of 1918. He served in this capacity until August 1919 when he moved to The Ohio State University campus as an Assistant State Leader of 4-H Club work. On October 1, 1935, he was named District Supervisor of the Ohio Cooperative Extension Service with responsibility for the northeast district. From January 1, 1950 until the time of his retirement from The Ohio State University on September 30, 1954, he served in the position of Assistant Director of the Ohio Cooperative Extension Service. Upon leaving the Ohio Cooperative Extension Service faculty, he joined the Extension faculty at the United States Department of Agriculture as Assistant Administrator of Programs, and he served in that capacity for approximately six years.

Mr. Croy was a dedicated and highly respected Extension educational leader in the eyes of the Ohio Cooperative Extension Service faculty and among Extension leaders across the nation, as well as by leaders in agricultural industry throughout Ohio. Mr. Croy was highly oriented to helping people and served with both enthusiasm and distinction in every position which he held. He will long be remembered for his outstanding contributions to educational programs conducted by The Ohio State University through the Cooperative Extension Service.

RESOLUTIONS IN MEMORIAM (continued)

A. Otto C. Croy (continued)

On behalf of the University, the Board of Trustees expresses to the family its deepest sympathy in its loss. It was directed that this resolution be inscribed upon the minutes of the Board of Trustees and that a copy be tendered to the family as an expression of the Board's heartfelt sympathy.

B. Eva M. Kinsey

The Board of Trustees of The Ohio State University expresses its sorrow upon the death on October 13, 1975, of Eva M. Kinsey, Associate Professor Emeritus in the Cooperative Extension Service.

Miss Kinsey was born at Cando, North Dakota, on May 27, 1896. Following high school, she attended Lynchburg College for two years, then Madison College at Harrisonburg, Virginia, for two years, graduating with a Bachelor of Science in Home Economics in 1929. She later pursued graduate education at The Ohio State University.

Miss Kinsey served as Home Demonstration Agent in Stafford County, Virginia, and Washington County, Ohio, before assuming the position of Assistant State 4-H Club Leader at The Ohio State University in 1939. She remained in that position until her retirement on May 31, 1956. Since that time she has made her home in Hot Springs, Virginia, with other members of her family.

Miss Kinsey is best known for her writing and teachings in the area of meditations, vespers, inspiration, and human motivation. She had a unique ability to convey the fundamentals of human relationships and inspiration through ceremonies and presentations where words and music combined to move people to greater aspirations and heights. She also provided leadership in the Ohio 4-H Health Program, in all Home Economics 4-H program areas, and in related youth development endeavors, including the training of voluntary lay leaders. Her influence will be long felt in Ohio and nationally as her publication, "Highlighting the Heart H," continues to be widely used.

On behalf of the University, the Board of Trustees expresses to the family its deepest sympathy in its loss. It was directed that this resolution be inscribed upon the minutes of the Board of Trustees and that a copy be tendered to the family as an expression of the Board's heartfelt sympathy.

\*

\*

\*

President Enarson presented the following recommendations:

I. GENERAL RECOMMENDATIONS

A. Degrees and Certificates Conferred--Autumn Quarter Commencement

President Enarson recommended that degrees and certificates be conferred at the Autumn Quarter Commencement Convocation on November 26, 1975, to those students who have completed the requirements for their respective degrees and certificates and are recommended by the University Senate. The names of those awarded degrees and certificates will be included in the minutes of this meeting. (See Appendix III, page 297.)

B. Honorary Degree

Upon the recommendation of the Committee on Honorary Degrees, the University Senate has approved for recommendation to the Board of Trustees the following person for the honorary degree as indicated:

William M. Kaula            Doctor of Science

Upon motion of Mr. Gushman, seconded by Mr. Harrod, the Board of Trustees approved the foregoing recommendations by unanimous voice vote.

C. Budget Summary - First Quarter, 1975-1976  
(Quarter Ended September 30, 1975)

The current funds budget for 1975-1976 based on revenues and expenditures for the first quarter of this fiscal year--and including revised estimates of subsidy and fee revenues based on the actual Autumn, 1975 enrollments--is presented for your consideration and approval. Except for revisions to estimates of subsidy and fee revenues, there are no significant changes to the current funds budget submitted to and approved by the Board of Trustees on July 11, 1975.

For the Columbus Campus, State subsidy is estimated at 99 per cent of the appropriation. Thus, subsidy for the Columbus programs is estimated to be \$1.1 million less than the July estimate, primarily because of a decrease in the average load taken by graduate students.

However, because of a higher proportion of full-time students, a larger summer enrollment and a slightly higher-than-expected Autumn enrollment, fee revenues for 1975-1976 are now estimated to be \$1.0 million higher than the July estimate. The total subsidy and fee revenues are, therefore, very nearly the same as estimated in July.

November 7, 1975 meeting, Board of Trustees

I. GENERAL RECOMMENDATIONS (continued)

C. Budget Summary - First Quarter, 1975-1976  
(Quarter Ended September 30, 1975) (continued)

For the Regional Campuses, State subsidy is estimated at 93 per cent of their appropriations. Fee revenues are projected to be 102 per cent of the July, 1975 estimate. Overall, considering all revenue sources, it has been necessary to lower Regional Campus budgets by an average of 3 per cent.

President Enarson recommended that the accompanying first-quarter budget report be accepted.

Upon motion of Mr. Devenow, seconded by Mr. Gushman, the Board of Trustees approved the foregoing recommendation by unanimous roll call vote.

Following the presentation of the quarterly budget summary, Mr. Zimmerman presented a series of charts which depicted the changes in the University's income and expenditures based on the figures for actual enrollments for the Summer and Autumn Quarters of 1975.

\*

\*

\*

II. PERSONNEL ACTIONS

Personnel actions since the October 15, 1975 meeting of the Board as recorded in the official "Salary Roll" of the University, include the following Appointments, Leaves of Absence Without Salary, and Emeritus Titles:

A. Appointments

Ernest W. Johnson from Professor and Chairman, Department of Physical Medicine, to Associate Dean for Ambulatory Programs (part time - 45 per cent), College of Medicine - Administration, effective December 1, 1975. He will continue as Professor and Chairman (part time - 45 per cent), Department of Physical Medicine, at a combined salary of \$33,000.00 per annum.

Marlin O. Thurston from Professor and Chairman, Department of Electrical Engineering, to Professor (Robert M. Critchfield Professor of Electrical Engineering) and Chairman, Department of Electrical Engineering, effective November 1, 1975, at a salary of \$40,248.00 per annum.

TABLE I

THE OHIO STATE UNIVERSITY  
1975-76 Current Funds Budget  
Budgeted Expenditures for the 1975-76 Year

	Budget Approved <u>July 11, 1975</u>	Revised Budget September <u>30, 1975</u>
Columbus Campus		
Instructional and General		
Departmental Instruction and Research	\$116,297,000	\$116,542,000
Instructional Services	2,595,000	2,595,000
Libraries	6,247,000	6,247,000
Student Services	5,583,000	5,583,000
Plant Operation	20,405,000	20,405,000
Institutional Expense	<u>10,355,000</u>	<u>10,355,000</u>
Total Instructional and General	\$161,482,000	\$161,727,000
Sponsored Research		
Research Foundation	\$ 18,629,000	\$ 18,629,000
Engineering Experiment Station	2,234,000	2,234,000
Research Administration	1,810,000	1,810,000
University Sponsored Research	1,560,000	1,866,000
Other Grants and Contracts	<u>2,398,000</u>	<u>2,398,000</u>
Total Sponsored Research	\$ 26,631,000	\$ 26,937,000
Public Service		
University Hospitals	\$ 63,655,000	\$ 63,655,000
Cooperative Extension Service	15,138,000	15,138,000
Other Grants and Contracts	11,613,000	11,613,000
University Sponsored Programs	2,114,000	2,114,000
Conferences	<u>1,650,000</u>	<u>1,650,000</u>
Total Public Service	\$ 94,170,000	\$ 94,170,000
Student Aid		
Scholarships, Fellowships, and Loans	\$ 8,712,000	\$ 8,712,000
Fee Remissions	<u>694,000</u>	<u>694,000</u>
Total Student Aid	\$ 9,406,000	\$ 9,406,000

Budgeted Expenditures for the 1975-76 Year (continued)

	Budget Approved <u>July 11, 1975</u>	Revised Budget September <u>30, 1975</u>
Columbus Campus (continued)		
Auxiliaries		
Student Housing	\$ 16,244,000	\$ 16,244,000
Intercollegiate Athletics	6,322,000	6,322,000
University Bookstores	3,716,000	3,716,000
Food Facility	3,370,000	3,370,000
Facilities Services	2,545,000	2,545,000
Parking Facilities and Transportation	2,235,000	2,235,000
Student Health Service	1,710,000	1,792,000
Meat Laboratory	1,570,000	1,570,000
Student Unions	1,678,000	1,678,000
University Airport	1,556,000	1,556,000
Laundry	1,264,000	1,264,000
Fawcett Center for Tomorrow	1,318,000	1,318,000
Other	<u>1,040,000</u>	<u>1,040,000</u>
Total Auxiliaries	\$ 44,568,000	\$ 44,650,000
Total Columbus Campus	\$336,257,000	\$336,890,000
Regional Campuses		
Administration	\$ 252,000	\$ 252,000
Lima Campus	2,030,000	1,980,000
Mansfield Campus	1,976,000	2,005,000
Marion Campus	1,327,000	1,208,000
Newark Campus	1,677,000	1,605,000
Agricultural Technical Institute	1,336,000	1,354,000
Wright Patterson Graduate Center	<u>275,000</u>	<u>225,000</u>
Total Regional Campuses	\$ 8,873,000	\$ 8,629,000
Grand Total	<u>\$345,130,000</u>	<u>\$345,519,000</u>

TABLE II

THE OHIO STATE UNIVERSITY  
1975-76 Current Funds Budget  
Sources of Income to Support the 1975-76 Budget

	Budget Approved <u>July 11, 1975</u>	Revised Budget September 30, 1975
Columbus Campus		
Government Appropriations		
State of Ohio	\$111,673,000	\$110,823,000
Federal	<u>42,327,000</u>	<u>42,327,000</u>
Subtotal	\$154,000,000	\$153,150,000
Student Fees		
Instructional and General	\$ 47,083,000	\$ 48,100,000
Room and Board	<u>13,434,000</u>	<u>13,434,000</u>
Subtotal	\$ 60,517,000	\$ 61,534,000
Recovered Costs	\$ 6,060,000	\$ 6,410,000
Other Income		
Auxiliary Sales and Charges	\$ 80,754,000	\$ 80,754,000
Department and University Services	19,431,000	19,513,000
Endowment Income	2,420,000	2,420,000
Gifts and Grants	10,965,000	10,965,000
Temporary Investments	2,000,000	2,000,000
Other	<u>111,000</u>	<u>111,000</u>
Subtotal	\$115,681,000	\$115,763,000
Total Columbus Campus	\$336,258,000	\$336,857,000
Regional Campuses		
Lima Campus	\$ 2,119,000	\$ 2,037,000
Mansfield Campus	2,117,000	2,147,000
Marion Campus	1,400,000	1,281,000
Newark Campus	1,727,000	1,655,000
Agricultural Technical Institute	1,358,000	1,376,000
Wright Patterson Graduate Center	<u>275,000</u>	<u>225,000</u>
Total Regional Campuses	\$ 8,996,000	\$ 8,721,000
Grand Total	<u>\$345,254,000</u>	<u>\$345,578,000</u>



November 7, 1975 meeting, Board of Trustees

II. PERSONNEL ACTIONS (continued)

B. Leaves of Absence Without Salary

Rudolf Ahlswede, Professor, Department of Mathematics, effective October 1, 1975 through December 31, 1975, to work at the Institut für Math Statistik, Lotzestr, West Germany.

Philip M. Burgess, Professor, Department of Political Science and Mershon Center for Education in National Security, effective October 1, 1975 through September 30, 1976, to accept a position as Vice President and Executive Director of the Federation of Rocky Mountain States, Denver, Colorado.

Howard P. Fink, Professor, College of Law, effective October 1, 1975 through December 31, 1975, to accept a position as Visiting Professor at the University of San Diego, College of Law, San Diego, California.

Antoinette P. Eaton, Associate Professor, Department of Pediatrics, effective September 15, 1975 through October 15, 1975, to continue to work at the Ohio Department of Health.

Neville W. Reay, Associate Professor, Department of Physics, effective January 1, 1976 through March 31, 1976, to engage in research at the Ferme National Accelerator Laboratory, Batavia, Illinois.

Merritt Roe Smith, Associate Professor, Department of History, effective January 1, 1976 through September 30, 1976, to accept a Visiting Associate Professorship at the University of Pennsylvania.

Michael L. Lichstein, Assistant Professor, Department of Economics, effective October 1, 1975 through September 30, 1976, for personal reasons.

Ruth Scott, Assistant Professor, Department of Psychology - Newark Campus, effective January 1, 1976 through September 30, 1976, to pursue scholarly interests at Children's Hospital, Boston, Massachusetts.

Michael James Zwettler, Assistant Professor, Department of Romance Languages and Literatures, effective April 1, 1976 through June 30, 1976, to accept an appointment as Senior Fellow at the University of Pennsylvania.

November 7, 1975 meeting, Board of Trustees

II. PERSONNEL ACTIONS (continued)

A. Leaves of Absence Without Salary (continued)

Belinda B. Cook, Instructor, Cooperative Extension Service, effective January 1, 1976 through June 30, 1976, for personal reasons.

Judith E. James, Instructor, Cooperative Extension Service, effective January 1, 1976 through August 31, 1976, to participate in a program of professional improvement at The Ohio State University.

Linda Kay Roberts, Instructor, Cooperative Extension Service, effective April 1, 1976 through December 31, 1976, to engage in a program of professional improvement at The Ohio State University.

Paula J. Strayer, Instructor, School of Nursing, effective January 1, 1976 through September 30, 1976, for educational study.

B. Emeritus Titles

Arthur W. Devor, Department of Physiological Chemistry, with the title Professor Emeritus, effective July 1, 1975.

Frances M. Pease, School of Nursing, with the title Associate Professor Emeritus, effective September 1, 1975.

Mary Jane Schwartz, School of Nursing, with the title Assistant Professor Emeritus, effective October 1, 1975.

President Enarson recommended that the Appointments, Leaves of Absence Without Salary, Emeritus Titles, and personnel budget actions as recorded in the "Salary Roll" of the University be approved.

Upon motion of Mr. Harrod, seconded by Mr. Gushman, the Board of Trustees approved the foregoing recommendation by unanimous roll call vote, and the Secretary was instructed to file these changes in the "Salary Roll," an official document of the University.

\*

\*

\*

November 7, 1975 meeting, Board of Trustees

III. REPORT OF RESEARCH CONTRACTS, GRANTS, GIFTS, AND AGREEMENTS

FIRST QUARTER SUMMARY  
(July 1, 1975 - September 30, 1975)

OFFICE OF BUSINESS AND ADMINISTRATION

	Number of Projects	Level of Support	% Change from 1974-75
<u>Federal</u>			
Student Programs	12	\$ 825,686.00	(39)
Training Grants	<u>19</u>	<u>800,509.00</u>	<u>90</u>
Total - Federal	31	\$1,626,195.00	(09)
<u>State of Ohio</u>	16	1,415,150.07	127
<u>Industrial and Other</u>	<u>23</u>	<u>791,854.00</u>	<u>113</u>
Totals	70	\$3,833,199.07	38

THE OHIO STATE UNIVERSITY RESEARCH FOUNDATION

	Number of Projects	Level of Support	% Change from 1974-75
<u>Federal</u>			
Energy Research and Develop- ment Administration*	3	\$ 67,504.00	--
National Aeronautics and Space Administration	4	93,874.00	15
National Science Foundation	15	531,625.00	150
Department of Defense	23	818,613.00	(14)
Health, Education, and Welfare	34	2,275,317.00	(53)
Other Federal	<u>8</u>	<u>1,181,306.50</u>	<u>146</u>
Total Federal	87	\$4,968,239.50	(26)
<u>State of Ohio</u>	4	99,001.00	(25)
<u>Industrial, Private, and Other</u>			
<u>Non-Federal Sponsors</u>	<u>53</u>	<u>575,953.89</u>	<u>(9)</u>
Totals	144	\$5,643,194.39	(25)

\*Compared with amount of support received from U. S. Atomic Energy Commission in Fiscal Year 1974-1975.

November 7, 1975 meeting, Board of Trustees

III. REPORT OF RESEARCH CONTRACTS, GRANTS, GIFTS, AND AGREEMENTS  
(continued)

ENGINEERING EXPERIMENT STATION

	Number of Projects	Level of Support	% Change from 1974-75
<u>Federal</u>	10	\$ 172,597.00	48
<u>State</u>	5	188,297.00	76
<u>Industrial and Other</u>	<u>105</u>	<u>365,046.00</u>	<u>52</u>
Totals	120	\$ 725,940.00	57

THE OHIO STATE UNIVERSITY DEVELOPMENT FUND

	Number of Donors	Level of Support	% Change from 1974-75
<u>Annual Giving Group</u>	<u>7,239</u>	<u>\$ 160,138.15</u>	<u>(9)</u>
<u>Major Resources Group</u>			
Deferred Gifts	10	135,196.21	(66)
Major Individual Gifts	133	368,928.49	73
Corporate Gifts	151	362,787.68	15
Foundation and Non-Profit Organization Gifts	<u>159</u>	<u>411,479.33</u>	<u>23</u>
Total	<u>453</u>	<u>\$1,278,391.71</u>	<u>2</u>
Totals	7,692	\$1,438,529.86	--

III. REPORT OF RESEARCH CONTRACTS, GRANTS, GIFTS, AND AGREEMENTS  
(continued)

President Enarson recommended that the following contracts and grants negotiated and monies received for the month of September be accepted.

Summary for September 1975

	No. of Projects	Support Level
Office of Business and Administration	14	\$ 620,088.00
The Ohio State University Research Foundation	41	2,108,150.89
The Engineering Experiment Station	5	<u>93,851.00</u>
		\$2,822,089.89
The Ohio State University Develop- ment Fund	2,305 Donors	\$ 613,692.26

A detailed listing of the items in each section is shown on the following pages.

Upon motion of Dr. Jacob, seconded by Mr. Gushman, the research agreements between The Ohio State University and The Ohio State University Research Foundation for the contracts and grants reported herein, and the acceptance of the report from the Office of Business and Administration and The Ohio State University Development Fund, including the establishment of a named fund and an endowed chair, were approved by unanimous voice vote.

November 7, 1975 meeting, Board of Trustees

III. REPORT OF RESEARCH CONTRACTS, GRANTS, GIFTS, AND AGREEMENTS  
(continued)

A. Office of Business and Administration

1. Federal Contracts/Grants

- a. \$92,455.00 from Defense Civil Preparedness Agency, Region Four, Federal Center, Battle Creek, Michigan, for Conducting Regional and State Local On-Site Assistance Surveys to Determine State and Local Training Requirements, under the direction of Division of Continuing Education, for period October 1, 1975 through September 30, 1976. (Contract No. DCPA01-76-C-0141)
- b. \$84,844.00 additional funds from Department of the Interior, Bureau of Indian Affairs, Sacramento, California, for Designing and Installing a Curriculum Delivery Strategy to Fit the Needs of Native American Students at Madera Employment Training Center, under the direction of Center for Vocational Education, for period July 15, 1975 through October 31, 1975. (Contract No. J50C14202989, Modification No. 2)
- c. \$69,041.00 from Department of Health, Education, and Welfare, Public Health Service, Bethesda, Maryland, for Affirmative Action Project for Minority Students in Nursing, under the direction of School of Nursing, for period September 1, 1975 through August 31, 1976. (Grant No. 5 D19 NU00008-02; Former No. 05D-000533)
- d. \$64,225.00 additional funds from Department of Health, Education, and Welfare, Region V, Public Health Service, Chicago, Illinois, for continuing the MEDIHC program, under the direction of College of Medicine, for period October 1, 1975 through September 30, 1976. (Contract No. N01-AH-24026, Modification No. 7)
- e. \$42,789.00 from Department of Health, Education, and Welfare, Public Health Service, Bureau of Health Manpower, Bethesda, Maryland--\$30,117.00 for Nursing Student Loans, for period July 1, 1975 through June 30, 1976, and \$12,672.00 for Nursing Scholarships, for period July 1, 1975 through June 30, 1977, under the direction of School of Nursing. (I. D. No. 05L390029-76; Former No. B 7 45 0430 15 1)
- f. \$40,180.00 from United States Department of Justice, Law Enforcement Assistance Administration, Washington, D. C., for Law Enforcement Education Program Grant Award FY 1976 - Supplemental, under the direction of Student Financial Aids, for period July 1, 1975 through June 30, 1976. (Grant No. 76-LP-05-0017)
- g. \$20,070.00 from National Science Foundation, Washington, D. C., for NSF Personnel Mobility Program, under the direction of University College, for period September 23, 1975 through September 22, 1976. (Grant No. OIP75-04181 A01; Former No. IG-00099)

III. REPORT OF RESEARCH CONTRACTS, GRANTS, GIFTS, AND AGREEMENTS  
(continued)

A. Office of Business and Administration (continued)

1. Federal Contracts/Grants (continued)

- h. \$20,000.00 from National Science Foundation, Washington, D. C., for the acquisition of instructional scientific equipment, under the direction of Department of Chemistry, for period June 1, 1975 through May 31, 1977. (Proposal/Grant No. HES75-11416)
- i. \$5,600.00 from ACTION, Procurement Division, Washington, D. C., for developing a model program for the recruitment of scarce agricultural and other skills for the Peace Corps, under the direction of College of Agriculture and Home Economics, for period September 15, 1975 through September 30, 1976. (Contract No. 76-043-1017)
- j. \$2,509.00 from Department of Health, Education, and Welfare, Public Health Service, Bureau of Health Manpower, Bethesda, Maryland, for Nursing Student Loans - Graduate Degree, under the direction of School of Nursing, for period July 1, 1975 through June 30, 1976. (I. D. No. 05L390068-76; Former No. G 7 45 0430 15 1)

TOTAL - Federal Contracts/Grants \$441,713.00

2. Industrial and Other Contracts/Grants

- a. \$114,900.00 from The Ford Foundation, New York, New York, for support of research and training in reproductive biology and contraceptive development, under the direction of Department of Obstetrics and Gynecology, for period January 1, 1975 through December 31, 1978. (Grant No. 750-0485)
- b. \$44,500.00 from Northern Michigan University, Marquette, Michigan, for the development of a comprehensive career guidance, counseling, placement and follow-through system for rural (small) schools, under the direction of Center for Vocational Education, for period July 1, 1975 through December 31, 1976.
- c. \$17,000.00 from Commonwealth of Kentucky, Department of Education, Vocational Education Research Development Program, Frankfort, Kentucky, for conducting a third-party evaluation and impact study of the Resources Development Unit, under the direction of Center for Vocational Education, for period September 1, 1975 through June 30, 1976. (Purchase Contract No. CT. 05272, Account No. 32-3-07-000-104-DB)
- d. \$1,975.00 from Piqua City Schools, Piqua, Ohio, for conducting a study of Piqua High School, assessing the current as well as long range adequacy to serve the community and its educational program, under the direction of Academic Faculty of Educational Administration, for period October 1, 1975 through December 31, 1975.

TOTAL - Industrial and Other Contracts/Grants \$178,375.00

III. REPORT OF RESEARCH CONTRACTS, GRANTS, GIFTS, AND AGREEMENTS  
(continued)

B. The Ohio State University Research Foundation

1. Federal Research Contracts/Grants

- a. \$966,954.00 from Department of Health, Education, and Welfare, Office of Education, Washington, D. C., for Establishing and Operating a National Center on Educational Media for the Handicapped, under the direction of College of Education, for period June 1, 1972 through August 31, 1976. (Project 3471-A1 - Mod. #6)
- b. \$99,784.00 from Department of the Air Force, Electronic Systems Division, Hanscom Air Force Base, Massachusetts, for Study of the External Gravity Potential of the Earth and Geodetic Parameters Affected by Gravity, under the direction of Department of Geodetic Science, for period August 25, 1975 through June 30, 1976. (Project 4214-A1 and B1 - New)
- c. \$96,700.00 from National Science Foundation, Washington, D. C., for Hot Corrosion of Alloys: A Problem in High-Temperature Energy Conversion Systems, under the direction of Department of Metallurgical Engineering, for period September 1, 1975 through August 31, 1977. (Project 4305-A1 - New)
- d. \$76,000.00 from Department of Health, Education, and Welfare, Office of Child Health and Human Development, Washington, D. C., for Structure and Performance of Programs of Child Abuse and Neglect, under the direction of Mershon Center for Education in National Security, for period July 1, 1975 through June 30, 1976. (Project 3969-A2 - Ext. #1)
- e. \$61,849.00 from Department of Health, Education, and Welfare, Public Health Service, National Institutes of Health, National Heart and Lung Institute, Bethesda, Maryland, for Physiology and Histopathology of Arterialized Vein Graft, under the direction of Department of Surgery, for period September 1, 1975 through August 31, 1976. (Project 4036-A2 and B2 - Ext. #1)
- f. \$52,893.00 from Department of Health, Education, and Welfare, Public Health Service, National Institutes of Health, National Heart and Lung Institute, Bethesda, Maryland, for Structural Investigation on Glycosaminoglycans, under the direction of Department of Chemistry, for period September 1, 1975 through August 31, 1976. (Project 2516-G - Ext. #7)
- g. \$47,300.00 from National Science Foundation, Washington, D. C., for Chemical and Structural Relationships of the Intermediate Boron Hydrides, under the direction of Department of Chemistry, for period September 1, 1973 through August 31, 1976. (Project 3789-A1 - NSF letter dated August 27, 1975)



November 7, 1975 meeting, Board of Trustees

III. REPORT OF RESEARCH CONTRACTS, GRANTS, GIFTS, AND AGREEMENTS  
(continued)

B. The Ohio State University Research Foundation (continued)

1. Federal Research Contracts/Grants (continued)

- h. \$45,392.00 from Department of Health, Education, and Welfare, Public Health Service, National Institutes of Health, National Heart and Lung Institute, Bethesda, Maryland, for Pathogenesis of Coronary Atherosclerosis, under the direction of Department of Physiological Chemistry, for period September 1, 1975 through August 31, 1976. (Project 2525-H - Ext. #8)
- i. \$44,874.00 from Department of Health, Education, and Welfare, Public Health Service, National Institutes of Health, National Heart and Lung Institute, Bethesda, Maryland, for Ion Transport by Heart Mitochondria, under the direction of Department of Physiological Chemistry, for period September 1, 1975 through August 31, 1976. (Project 2012-K - Ext. #10)
- j. \$44,600.00 from National Science Foundation, Washington, D. C., for Synthesis and Rearrangement Reactions of Novel Alicyclic Hydrocarbons, under the direction of Department of Chemistry, for period September 1, 1972 through August 30, 1976. (Project 3526-A1 - NSF letter dated August 27, 1975)
- k. \$42,000.00 from National Science Foundation, Washington, D. C., for Relationship of Membrane States to Growth Performance in Plant Tissues, under the direction of Department of Botany, for period March 15, 1973 through August 31, 1977. (Project 3643-A1 - NSF letter dated September 8, 1975)
- l. \$40,000.00 from National Science Foundation, Washington, D. C., for Catalysis by Labile Metal Ions in Mixed Ligand Systems, under the direction of Department of Chemistry, for period September 1, 1974 through August 31, 1976. (Project 4039-A1 - NSF letter dated September 4, 1975)
- m. \$33,004.00 from U. S. Energy Research and Development Administration, Argonne, Illinois, for Cycling of Cl-36 Labeled DDT in Natural Systems, under the direction of Department of Zoology, for period September 1, 1975 through August 31, 1976. (Project 1794-J - Mod. #8)
- n. \$32,967.00 from U. S. Department of the Air Force, Wright-Patterson Air Force Base, Ohio, for Development of Self-Instructional Material for Contract Management, under the direction of Division of Continuing Education, College of Administrative Science, for period July 1, 1975 through June 30, 1976. (Project 4290-A1 - New)

III. REPORT OF RESEARCH CONTRACTS, GRANTS, GIFTS, AND AGREEMENTS  
(continued)

B. The Ohio State University Research Foundation (continued)

1. Federal Research Contracts/Grants (continued)

- o. \$32,348.00 from Department of Health, Education, and Welfare, Public Health Service, National Institutes of Health, National Institute of General Medical Sciences, Bethesda, Maryland, for Monolayers and the Properties of Membrane Lipids, under the direction of Department of Physiological Chemistry, for period October 1, 1975 through September 30, 1976. (Project 4057-A2 - Ext. #1)
- p. \$31,847.00 from Department of Health, Education, and Welfare, Public Health Service, National Institutes of Health, National Institute of Arthritis and Metabolic and Digestive Diseases, Bethesda, Maryland, for Polyunsaturated Fatty Acid Interconversions, under the direction of Department of Physiological Chemistry, for period September 1, 1975 through August 31, 1976. (Project 2090-K - Ext. #10)
- q. \$26,915.00 from Department of Health, Education, and Welfare, Public Health Service, Alcohol, Drug Abuse, and Mental Health Administration, National Institute of Mental Health, Rockville, Maryland, for Phenothiazine Metabolites as Mitochondrial Inhibitors, under the direction of Department of Pharmacology, for period September 1, 1975 through August 31, 1976. (Project 3727-A3 - Ext. #2)
- r. \$26,800.00 from National Science Foundation, Washington, D. C., for Photogrammetric Camera Calibration Procedure Analyses, under the direction of Department of Geodetic Science, for period September 1, 1975 through August 31, 1976. (Project 4306-A1 - New)
- s. \$25,000.00 from National Science Foundation, Washington, D. C., for Conformational Studies of Biopolymers, under the direction of Department of Biochemistry, for period September 1, 1973 through August 31, 1977. (Project 3756-A1 - NSF letter dated August 18, 1975)
- t. \$24,600.00 from National Science Foundation, Washington, D. C., for Late Proterozoic Thermal and Tectonic History of the Central Appalachian Grenville Basement Terrane, under the direction of Department of Geology and Mineralogy, for period September 1, 1975 through August 31, 1977. (Project 4307-A1 - New)
- u. \$23,200.00 from National Science Foundation, Washington, D. C., for Preparation and Publication of an Atlas of Spectra of Cool Stars, under the direction of Department of Astronomy, for period September 15, 1974 through September 15, 1976. (Project 4047-A1 - NSF letter dated September 8, 1975)

November 7, 1975 meeting, Board of Trustees

III. REPORT OF RESEARCH CONTRACTS, GRANTS, GIFTS, AND AGREEMENTS  
(continued)

B. The Ohio State University Research Foundation (continued)

1. Federal Research Contracts/Grants (continued)

- v. \$21,908.00 from Department of Health, Education, and Welfare, Public Health Service, National Institutes of Health, National Institute of Arthritis and Metabolic and Digestive Diseases, Bethesda, Maryland, for Vitamin D: Role of Induced CA-Atpase in Intestine, under the direction of Department of Veterinary Pathobiology, for period September 1, 1975 through August 31, 1976. (Project 4035-A2 - Ext. #1)
- w. \$20,000.00 from Department of the Army, U. S. Army Research Office, Research Triangle Park, North Carolina, for Stimulated Raman Scattering in Methane with Nd:YAG Pump, under the direction of ElectroScience Laboratory, for period October 1, 1975 through August 15, 1976. (Project 4297-A1 - New)
- x. \$20,000.00 from National Aeronautics and Space Administration, Goddard Space Flight Center, Greenbelt, Maryland, for OSU Participation in the CTS Communications Link Characterization Experiment, under the direction of ElectroScience Laboratory, for period September 2, 1975 through September 1, 1976. (Project 4299-A1 - New)
- y. \$20,000.00 from U. S. Department of Commerce, National Oceanic and Atmospheric Administration, Boulder, Colorado, for Stability of Tornado-Like Vortices, under the direction of Department of Aeronautical and Astronautical Engineering, for period September 1, 1975 through August 31, 1976. (Project 4301-A1 - New)
- z. \$18,000.00 additional funds from U. S. Environmental Protection Agency, Chicago, Illinois, for Maumee River Watershed Study, under the direction of Department of Agronomy. (Project 3977-A1 - Amend. #3)
- aa. \$17,322.00 from Department of Health, Education, and Welfare, Public Health Service, National Institutes of Health, National Institute of Child Health and Human Development, Bethesda, Maryland, for Higher Level Units in Perception, under the direction of Department of Psychology, for period September 1, 1975 through August 31, 1976. (Project 4051-A2 - Ext. #2)
- bb. \$14,617.00 from Department of Health, Education and Welfare, Public Health Service, National Institutes of Health, National Institute of General Medical Sciences, Bethesda, Maryland, for Control of Differential Gene Action and Morphogenesis, under the direction of Department of Biochemistry, for period September 1, 1975 through August 31, 1976. (Project 3307-A5 - Ext. #4)

November 7, 1975 meeting, Board of Trustees

III. REPORT OF RESEARCH CONTRACTS, GRANTS, GIFTS, AND AGREEMENTS  
(continued)

B. The Ohio State University Research Foundation (continued)

1. Federal Research Contracts/Grants (continued)

- cc. \$12,800.00 from National Science Foundation, Washington, D. C., for A Master List of Nonstellar Optical Astronomical Objects, under the direction of Department of Electrical Engineering, for period November 15, 1973 through February 29, 1976. (Project 3848-A1 - NSF letter dated August 27, 1975)
- dd. \$10,000.00 from U. S. Energy Research and Development Administration, Argonne, Illinois, for Pre-Freshman and Cooperative Education for Minorities in Engineering at The Ohio State University, under the direction of Department of Mechanical Engineering, for period March 15, 1973 through August 31, 1976. (Project 3716-A1 - Mod. #2)
- ee. \$6,590.00 from Department of Health, Education, and Welfare, Office of the Secretary, Washington, D. C., for Small Purchases - DHEW Procurement Training Courses, under the direction of Division of Continuing Education, College of Administrative Science, for period September 9, 1975 through October 24, 1975. (Project 4308-A1 - New)
- ff. \$1,725.00 from National Science Foundation, Washington, D. C., for The Merrill-McLaughlin Symposium on Be and Shell Stars - Bass River, Massachusetts, under the direction of Department of Astronomy, for period August 1, 1975 through February 29, 1976. (Project 4291-A1 - New)

TOTAL - Federal Research Contracts/Grants \$2,037,989.00

2. Industrial, Private, and Other Non-Federal Research Contracts/Grants

- a. \$10,411.27 additional funds from Procter and Gamble Company, Cincinnati, Ohio, for Study of Dental Calculus, under the direction of College of Dentistry. (Project 2070-B - Letter dated September 12, 1975)
- b. \$10,000.00 from American Pharmaceutical Association Foundation, Washington, D. C., for a Multi-Site Implementation and Evaluation of the Uniform Cost Accounting System for Pharmacy, under the direction of College of Pharmacy, for period October 1, 1975 through September 30, 1976. (Project 4312-A1 - New)

November 7, 1975 meeting, Board of Trustees

III. REPORT OF RESEARCH CONTRACTS, GRANTS, GIFTS, AND AGREEMENTS  
(continued)

B. The Ohio State University Research Foundation (continued)

2. Industrial, Private, and Other Non-Federal  
Research Contracts/Grants (continued)

- c. \$9,680.00 from American Heart Association, New York, New York, for Venous Compliance and Contractility in Renal Hypertension, under the direction of Department of Pharmacology, for period September 1, 1975 through August 31, 1976. (Project 4310-A1 - New)
- d. \$8,500.00 additional funds from The White Brothers Sand, Inc., Toledo, Ohio, for Environmental Impact Assessment of Commercial Sand and Gravel Dredging in Maumee River and Bay, under the direction of College of Biological Sciences. (Project 4237-A1 - Letter dated August 27, 1975)
- e. \$7,500.00 from American Heart Association, Central Ohio Heart Chapter, Inc., Columbus, Ohio, for Ischemia Induced Mediators of Myocardial RNA and Protein Synthesis, under the direction of Department of Pathology, for period October 1, 1975 through September 30, 1976. (Project 4263-A1 - New)
- f. \$7,500.00 from American Heart Association, Central Ohio Heart Chapter, Inc., Columbus, Ohio, for EM Autoradiography of Protein Synthesis in Myocardial Hypertrophy, under the direction of Department of Veterinary Pathobiology, for period October 1, 1975 through September 30, 1976. (Project 4269-A1 - New)
- g. \$7,500.00 from American Heart Association, Eastern Ohio Chapter, Inc., Youngstown, Ohio, for Physical and Histologic Analysis of Pericardium, under the direction of Department of Surgery, for period October 1, 1975 through September 30, 1976. (Project 4309-A1 - New)
- h. \$7,495.62 from American Heart Association, Central Ohio Heart Chapter, Inc., Columbus, Ohio, for Effect of Cyclic Nucleotides on Myocardial RNA Synthesis, under the direction of Department of Veterinary Pathobiology, for period October 1, 1975 through September 30, 1976. (Project 4279-A1 - New)
- i. \$1,575.00 additional funds from Max McGraw Wildlife Foundation, Dundee, Illinois, for Population Analysis of a Great Blue Heron Colony, under the direction of Department of Zoology. (Project 4135-A1 - Letter dated August 25, 1975)

TOTAL - Industrial, Private, and Other Non-Federal  
Research Contracts/Grants \$70,161.89

November 7, 1975 meeting, Board of Trustees

III. REPORT OF RESEARCH CONTRACTS, GRANTS, GIFTS, AND AGREEMENTS  
(continued)

C. The Engineering Experiment Station

1. State of Ohio Research Contracts

- a. \$43,000.00 from Ohio Department of Transportation, Columbus, Ohio, for Wet Weather Skidding Accident Reduction at Intersections, under the direction of Department of Industrial and Systems Engineering, for period July 1, 1975 through September 30, 1977. (EES 517)
- b. \$507.00 from Ohio Department of Transportation, Columbus, Ohio, for Field Study of Subgrade Compaction, under the direction of Department of Civil Engineering, for period August 28, 1975 through October 28, 1975. (EES 406, Publication Extension)

TOTAL - State of Ohio Research Contracts \$43,507.00

2. Industrial and Other Research Contracts

- a. \$22,224.00 from The Ohio State University, Columbus, Ohio, for Study of Energy Conservation for University Buildings, under the direction of Department of Mechanical Engineering, for period July 1, 1975 through October 31, 1975. (EES 468, Ext. #2)
- b. \$19,920.00 from American Iron and Steel Institute, Washington, D. C., for Experimental Determination of Combustability, under the direction of Department of Chemical Engineering, for period May 1, 1975 through April 30, 1976. (EES 307, Ext. #10)
- c. \$8,200.00 from The Ohio State University, Columbus, Ohio, for The Able Program Expansion, under the direction of Department of Mechanical Engineering, for period July 1, 1975 through December 31, 1975. (EES 504, Ext. #2)

TOTAL - Industrial and Other Research Contracts \$50,344.00

D. The Ohio State University Development Fund

1. Gifts of \$5,000 or More

- a. \$48,402.71 from Estate of Melville S. Saunders, Toronto, Canada, for the William G. Pace III (endowment) Fund for the advancement of medical knowledge in the field of cancer research through the College of Medicine.
- b. \$25,200.00 from Glenna R. Joyce Testamentary Trust, Columbus, Ohio, for scholarships.

November 7, 1975 meeting, Board of Trustees

III. REPORT OF RESEARCH CONTRACTS, GRANTS, GIFTS, AND AGREEMENTS  
(continued)

D. The Ohio State University Development Fund (continued)

1. Gifts of \$5,000 or More (continued)

- c. \$20,000.39 from Consolidated Business Services, Inc., Columbus, Ohio, for support of the Department of Medicine General Fund.
- d. \$20,000.00 from Alcoa Foundation, Pittsburgh, Pennsylvania, for their Professorship in Chemical Engineering.
- e. \$16,000.00 from Eastman Kodak Company, Rochester, New York--\$10,000.00 for use of the Department of Chemistry and \$6,000.00 for use of the Chairman of the Department of Physics.
- f. \$15,000.00 from Foundation for Endowment of a Chair at Ohio State University, Inc., New York, New York (given in the name of M. Riklis), for the Meshulam Riklis Chair in Business and Its Environment.
- g. \$14,000.00 from The Corbett Foundation, Cincinnati, Ohio, for the Journalism Building Fund.
- h. \$12,519.00 from The Ohio Electric Utility Institute, Columbus, Ohio, for their fellowship fund.
- i. \$10,000.00 from S. Robert Davis, Columbus, Ohio, for the William Greenville Pace III (endowment) Fund for the advancement of medical knowledge in the field of cancer research through the College of Medicine.
- j. \$10,000.00 from Johnson Welding Products, Inc., Urbana, Ohio (given in the name of Truman G. Johnson), for support of the Department of Welding Engineering.
- k. \$10,000.00 from Eli Lilly and Company, Indianapolis, Indiana, for infectious disease research.
- l. \$8,507.00 from The Charles F. High Foundation, Bucyrus, Ohio, for their named scholarship fund.
- m. \$7,887.00 from The Grace High Washburn Trust, Bucyrus, Ohio, for their scholarship fund.
- n. \$6,400.00 from American Foundation for Pharmaceutical Education, Fair Lawn, New Jersey, for their fellowship fund in pharmaceutical education.
- o. \$6,166.97 from Richard H. Keates, M. D., Columbus, Ohio, for the Eye Bank Fund.

November 7, 1975 meeting, Board of Trustees

III. REPORT OF RESEARCH CONTRACTS, GRANTS, GIFTS, AND AGREEMENTS  
(continued)

D. The Ohio State University Development Fund (continued)

1. Gifts of \$5,000 or More (continued)

- p. \$6,000.00 from Amoco Foundation, Inc., Chicago, Illinois, for their fellowship in Chemistry.
- q. \$6,000.00 from The Lubrizol Foundation, Cleveland, Ohio-- \$2,000.00 for their fellowship fund in the Department of Chemistry; \$2,000.00 for their fellowship fund in Chemical Engineering; \$1,000.00 for scholarships for the Department of Mechanical Engineering; \$500.00 for their scholarship fund for the Academic Faculty of Accounting; and \$500.00 for scholarships for the Department of Mathematics.
- r. \$5,506.25 from William A. Walter, Columbus, Ohio, for the Friends of WOSU Fund.
- s. \$5,086.02 from The Associates of Medicine, Columbus, Ohio, for support of the Department of Medicine General Fund.
- t. \$5,000.00 from Corning Glass Works Foundation, Corning, New York, for the equipment fund in the Department of Ceramic Engineering.
- u. \$5,000.00 from Big Bear Stores Company, Columbus, Ohio, for the University Activities Center.
- v. \$5,000.00 from Chevron Research Company, Richmond, California, for research in the Department of Chemistry.
- w. \$5,000.00 from Mansfield O.S.U. Campus Fund, Mansfield, Ohio, for their scholarship fund.
- x. \$5,000.00 from Morningstar Company, Aspen, Colorado, for the Stern Fund for Transfer Factor Immunotherapy in Cancer Research in the College of Medicine.
- y. \$5,000.00 from Phi Beta Psi Sorority, Bradenton, Florida, for cancer research fund.

2. Gifts-in-Kind

- a. A gift of lobby cards, 1-sheet posters, 3-sheet posters, lithograph inserts, and colored lithographic posters from Mr. Philip Sills, Riverdale-on-Hudson, New York, for College of The Arts.
- b. A gift of livestock for the Eastern Ohio Resource Development Center, from Mr. Emanuel E. Mullet, Berlin, Ohio.



III. REPORT OF RESEARCH CONTRACTS, GRANTS, GIFTS, AND AGREEMENTS  
(continued)

D. The Ohio State University Development Fund (continued)

3. Establishment of Named Fund

- a. \$1,000.00 from Nelson Lancione and other members of the family of John B. and Elizabeth Lancione for the establishment of The John B. and Elizabeth Lancione Memorial Scholarship Fund.

The John B. and Elizabeth Lancione Memorial  
Scholarship Fund

The John B. and Elizabeth Lancione Memorial Scholarship Fund was established November 7, 1975, by the Board of Trustees of The Ohio State University with gifts to The Ohio State University Development Fund from Nelson Lancione and other members of the family of John B. and Elizabeth Lancione.

The annual income is to be added to the principal until the fund reaches \$10,000. At that time, all gifts are to be invested in the University's Permanent Endowment Fund under the rules and regulations adopted by the Board of Trustees of The Ohio State University, with the right to invest and reinvest as occasion dictates.

The annual income is to be used to provide scholarship assistance for one or more undergraduate students. Selection of the recipient(s) is to be made by the University Scholarship Committee with preference being given to students enrolled from Belmont County.

Should the need for these scholarships cease to exist or so diminish as to provide unused income, then the income may be used for any purpose whatsoever as determined by the Board of Trustees of The Ohio State University.

4. Establishment of Endowed Chair

The Karl P. Klassen Chair of Thoracic Surgery

The Karl P. Klassen Chair of Thoracic Surgery was established November 7, 1975, by the Board of Trustees of The Ohio State University with a bequest to The Ohio State University College of Medicine by the late Frederick E. Jones, devoted University Trustee from 1963 to 1970.

All gifts are to be invested in the University's Permanent Endowment Fund, under the rules and regulations adopted by the Board of Trustees of The Ohio State University, with the right to invest and reinvest as occasion dictates.

III. REPORT OF RESEARCH CONTRACTS, GRANTS, GIFTS, AND AGREEMENTS  
(continued)

D. The Ohio State University Development Fund (continued)

4. Establishment of Endowed Chair (continued)

The Karl P. Klassen Chair of Thoracic Surgery (continued)

The annual income is to be used to provide salary and program support for the work of a distinguished thoracic surgeon. Appointment to the Klassen Chair will be recommended by the Dean of the College of Medicine to the Provost and approved by the Board of Trustees.

Should the need for this faculty position cease to exist or so diminish as to provide unused income, then the income may be used for any purpose whatsoever as determined by the Board of Trustees, with preference being given to recommendations from the appropriate administrative official of the University who is then directly responsible for thoracic surgery.

\*

\*

\*

IV. BUSINESS AND ADMINISTRATION

A. Plans and Specifications

At the request of the Vice President for Business and Administration, President Enarson recommended that the plans and specifications, bills of materials, and estimates of cost for the following project be approved by the Board of Trustees.

1. Utility Tunnel Renovations

This project will provide for permanent improvements to eroded and damaged sections of the tunnels on 18th and 19th Avenues. The work on the 18th Avenue portion of the work will be requested as an alternate to the base contract. The work is necessary to prevent complete structural failures resulting in utility outages.

Funds are budgeted in H. B. 687 (Utilities and Renovations 75-77).

Upon motion of Mr. Harrod, seconded by Dr. Jacob, the above recommendation was approved by unanimous roll call vote, and the Secretary was authorized and directed to sign the plans and specifications for the above project for and on behalf of the Board of Trustees. The Vice President for Business and Administration was directed to proceed with the request for bids in the normal University manner, and if satisfactory bids are received to proceed with the award of contracts. All action regarding this matter will be reported to the Board of Trustees at a later meeting.

November 7, 1975 meeting, Board of Trustees

IV. BUSINESS AND ADMINISTRATION (continued)

B. Report of Award of Contracts

In accordance with authorization provided by the Board of Trustees, bids were taken on the projects listed below and the contracts were recommended for award. The action reported to the Board was as follows:

1. Galvin Hall--New Elevator

The Ohio State University Lima Campus (Lima, Ohio)

	<u>Low Bid</u>	<u>Est. of Cost</u>
<u>General Contract</u> (3 bids received 9-30-75, Rebid) Rudolph-Libbe Company (Wallbridge, Ohio)	<u>\$ 9,500.00</u>	<u>\$20,794.00</u>
<u>Elevator Contract</u> (1 bid received 9-10-75) Haughton Elevator Co. (Lima, Ohio) Base bid	<u>\$58,282.00</u>	<u>\$60,000.00</u>
Alt. E-1 Duplexing of controls for new and existing elevators	<u>+ 7,900.00</u>	<u>+10,000.00</u>
Total Contract	<u>\$66,182.00</u>	<u>\$70,000.00</u>
<u>Total All Contracts</u>	<u>\$75,682.00</u>	<u>\$90,794.00</u>

Funds for this project have been provided from Budget Account 801302 (Galvin Hall Elevator).

2. Biological Sciences Building--Exhaust and Boiler Revisions

	<u>Low Bid</u>	<u>Est. of Cost</u>
<u>Heating, Ventilating and Air Conditioning Contract</u> (6 bids received 10-14-75) C. & E. Mechanical Co. (New Albany, Ohio) Base bid	<u>\$32,000.00</u>	<u>\$52,000.00</u>
Alt. H-2 Steel ducts for exhausting laboratory hoods	<u>+20,800.00</u>	<u>+40,940.00</u>
Total Contract	<u>\$52,800.00</u>	<u>\$92,940.00</u>

Funds for this project have been provided from Budget Account 126070 (Contract Repair).

Upon motion of Mr. Gushman, seconded by Mr. Hilliker, the above award of contracts and expenditure of funds were approved and the action of the Vice President for Business and Administration was ratified by unanimous roll call vote.

November 7, 1975 meeting, Board of Trustees

IV. BUSINESS AND ADMINISTRATION (continued)

C. Other

1. Agreement Between The Ohio State University and the Ohio Board of Regents for the Operation of the Research and Graduate Education Facility at the Transportation Research Center of Ohio

The Board of Regents has requested that The Ohio State University enter into a contract with the Regents for the purpose of managing the research and graduate education facility at the Transportation Research Center of Ohio for the benefit of all institutions of higher education in the State of Ohio. This contract provides that The Ohio State University will be responsible for organizing and convening an Advisory Board comprised of Deans of the Engineering Colleges of the State-assisted and private colleges in Ohio for the purpose of consulting on matters relating to control and management of this facility.

It was recommended that the President and/or the Vice President for Business and Administration of The Ohio State University be authorized to enter into such an agreement with the Ohio Board of Regents for the operation of the research and graduate education facility located at the Transportation Research Center of Ohio, East Liberty, Ohio, for the period July 1, 1975 through June 30, 1977.

Upon motion of Mr. Harrod, seconded by Mr. Gushman, the Board of Trustees approved the foregoing recommendation by unanimous roll call vote.

\*

\*

\*

V. REPORTS

A. Report on the University's Investment Portfolio

The report on the University's Investment Portfolio dated November 7, 1975, as submitted to the Fiscal Affairs Committee of the Board of Trustees, was received and ordered to be filed with the official records of the Board. Recommendations of the Investment Counselors as indicated in this report were ratified.

Upon motion of Mr. Gushman, seconded by Mr. Harrod, the Board of Trustees accepted the foregoing report by unanimous voice vote.

November 7, 1975 meeting, Board of Trustees

V. REPORTS (continued)

B. Report on State Civil Service Paybill

Vice President Madison Scott discussed the financial implications of the State Civil Service Paybill enacted by the 111th General Assembly. He indicated that nearly 6,300 of the University's 15,000 full-time employees are affected and that this increase in pay is estimated to cost the University \$10 million a year.

C. Report on Proposed Revisions in Major Medical Benefits Program

Vice President Scott also reviewed some proposed revisions in the major medical benefits program for the University's faculty and staff which is currently being reviewed by the Faculty Compensation and Benefits Committee. With the concurrence of this Committee, these revisions will be presented at the next meeting of this Board for implementation.

D. Hospital Professional Liability Coverage

Mr. Scott also reviewed the current status for the purchase of liability insurance coverage for the house staff of The Ohio State University Hospitals. After a discussion and further explanation by Dean Henry Cramblett and Mr. David Steffy, Director of Hospital Administration - University Hospitals, the following resolution was adopted:

In accordance with the legislative authorizations as provided under Amended Senate Bill 263, it is recommended that The Ohio State University Hospitals be authorized to purchase employee liability insurance coverage for all employees and students of The Ohio State University Hospitals acting within the scope of their assigned duties/responsibilities.

The purchase of such coverage and the necessary contract arrangement shall be subject to the approval of the appropriate state officials and legal counsel - the specific coverages to be provided and estimates of cost for such is as follows:

Coverages

- a. Hospital Professional Liability Coverage  
(Claims Made Form)
  - Limits of Liability
    - \$200,000 per claim
    - \$600,000 annual aggregate
  
- b. General Liability Insurance (Premises-  
Operations-Elevators and Escalators Only)
  - Limits of Liability
    - Bodily Injury:
      - \$600,000 each occurrence
    - Property Damage:
      - \$50,000 each occurrence

November 7, 1975 meeting, Board of Trustees

V. REPORTS (continued)

D. Hospital Professional Liability Coverage (continued)

c. Excess Liability	
\$1,000,000 per claim	
\$1,000,000 annual aggregate for all claims	
d. Total Annual Premium	\$728,046.00
e. Annual Stabilization Reserve Fund Charge	<u>80,000.00</u>
Total	\$808,046.00

Funds for the purchase of this coverage are budgeted in Account 960200.

Upon motion of Mr. Gushman, seconded by Dr. Jacob, the above recommendation was approved by roll call vote with eight affirmative votes and one abstention - Dr. Sirak, and the Secretary was authorized and directed to proceed with the award of contract for the coverage specified for and on behalf of the Board of Trustees.

\* \* \*

VI. GUEST SPEAKERS

Chris Kalis, President of the Undergraduate Student Government, requested permission to speak before the Trustees meeting concerning collective bargaining. Kalis requested that students be included in all such discussions since salary increases could result in fee increases because students are no longer protected by a statutory fee ceiling.

The Undergraduate Student Government Vice President, Rick Theis, then spoke without invitation demanding that students be allowed to be present at the scheduled closed discussion with the Board and the AAUP Executive Committee at the end of the Board meeting.

Dr. Sirak and Mr. Dunlap indicated that the meeting was to be closed to enable the Board members to carry on a full discussion so that they might gain a better understanding of the AAUP request for a collective bargaining election.

\* \* \*

Thereupon the Board recessed and reconvened to Executive Session for the purpose of discussing collective bargaining with the Executive Committee of the American Association of University Professors, Local Chapter.

The Board reconvened following the Executive Session and the following actions transpired:

November 7, 1975 meeting, Board of Trustees

A. Collective Bargaining

Upon motion of Dr. Sirak, seconded by Mr. Smith, a proposal that groups wishing to make statements to the Board on collective bargaining be invited to do so. The motion was approved by roll call vote, Dr. Jacob abstaining.

B. Wright Airlines

President Enarson made the following statement regarding the use of Don Scott Field by Wright Airlines:

At the last meeting of this Board, I reported to you that Wright Airlines was using the University's facilities at Don Scott Field without any contract authorizing them to do so. You instructed me then to oppose this unauthorized use of the airfield, and since that time formal notice has been served on Wright Airlines demanding that they cease their operations and leave the University's premises. This notice is the first required step in bringing legal action to evict.

There has been a great deal of discussion in the community over this matter, including detailed coverage of the issues in the newspapers and the broadcast media. Representatives of the Civil Aeronautics Board were also in Columbus to hold a public meeting to hear discussion about the exemption currently held by Wright Airlines to fly the Cleveland to Don Scott airfield route.

While we have not been formally notified, it has been publicly announced that a proposal to establish an operations base for Wright Airlines at Port Columbus International Airport and Burke Lakefront Airport in Cleveland has been presented to the Civil Aeronautics Board. This proposal has the support of both Wright Airlines and the City of Columbus.

The University wishes to make it clear to neighbors of Don Scott Field and other interested persons that Ohio State University has no intention of expanding that facility's use to the operation of regularly scheduled commercial airlines, including Wright's scheduled service to Cleveland. However, the University also wants to be as helpful as possible to air travelers in both Cleveland and Columbus--within the limits it has set for the use of its airfield.

In hopes of offering a studied and reasonable solution to this problem, in the best interests of all parties involved, I now propose the following course of action.

Since these questions are now before the C.A.B., it is my judgment that the University should bring no formal legal action to evict Wright Airlines until that federal agency has

November 7, 1975 meeting, Board of Trustees

B. Wright Airlines (continued)

President Enarson's statement (continued)

had a reasonable time to take whatever action it deems appropriate. Action by the C.A.B. on these questions could well render moot anything the University might do.

However, as a condition of the University's refraining from taking formal legal action, we must insist upon receipt of written assurance from Wright Airlines that it will cease all of its operations from Don Scott Field within 120 days--irrespective of whether the C.A.B. has acted before that time.

It would be our hope that in pursuing this course of action we will ensure the early departure of Wright Airlines from Don Scott Field without time-consuming and expensive legal proceedings, as well as give the C.A.B. a reasonable time to decide whether the Port Columbus Airport to Cleveland Burke Lakefront Airport service is in the best interests of the citizens of Ohio.

Dr. Sirak moved that in the spirit of that statement and in the context of that letter, the course of action being that we notify them of the 120-day period in which to remove their services, irrespective of the decision of the Civil Aeronautics Board. The motion was seconded by Mr. Devenow. Dr. Jacob indicated that while the wording of the motion was appropriate that he wanted the 120-day period specified in any such agreement and that hopefully this agreement would be achieved within one to two weeks. It was agreed that this intent be incorporated into the motion. The motion was approved by unanimous roll call vote.

\*

\*

\*

Thereupon the Board adjourned to meet Friday, January 9, 1976, at The Ohio State University Fawcett Center for Tomorrow, Columbus, Ohio, at 1:30 p.m.

Attest:

---

Edward Q. Moulton  
Secretary

---

John H. Dunlap  
Chairman



APPENDIX III

Degrees Conferred at

THE OHIO STATE UNIVERSITY  
COMMENCEMENT CONVOCATION

November 26, 1975

Page 298 Blank

**Jacqueline Grennan Wexler  
President, Hunter College of the  
City University of New York**

Nationally recognized as an innovative educator, President Wexler has served her profession for 24 years as teacher, administrator, and adviser.

Having begun her career in 1951 while serving with the Order of the Sisters of Loretto, President Wexler later assumed the office of assistant to the president at Webster College in St. Louis, and was then named vice president for development in 1960. After leaving the Order of the Sisters of Loretto, President Wexler continued to head Webster College as its president, a position to which she was named in 1965.

Prior to being named president at Hunter, President Wexler held the position of vice president and director of International University Studies of the Academy for Educational Development in New York City. She was also sought as an adviser to President Kennedy and Sargent Shriver, becoming a major motivating force behind the Head Start program. Her academic interests range from pre-school children to the elderly, and she is currently active with the Brookdale Institute for the Study of the Aging, one of our nation's leading centers for such research.

President Wexler is the recipient of numerous awards recognizing her achievements in education, and The Ohio State University is honored to have her present today to address the 254th graduating class.

**William Mason Kaula, Doctor of Science**

Professor Kaula is a scientist with extraordinary intellect, creativity, and zeal. The contributions he has made to man's understanding of earth and planetary science span nearly a quarter of a century. The quality, imagination, and originality of his work have established him as the undisputed leading geodesist, and have set a contagious example for his students and colleagues.

So in depth are his analyses and so searching his interpretations that his statements on such topics as the structure of the earth and moon, the origin and evolution of the planets, and the dynamics of the solar system are highly respected by the scientific community. Author of four books and over one hundred articles for scientific journals, he has disseminated his knowledge and theories, stimulating further advancements in his field.

Through his contributions and his participation as an adviser to NASA, the National Academy of Sciences, and the International Union of Geodesy and Geophysics, he has nurtured man's fascination with the magnificence and mystery of the Universe.

## Graduate School

Dean: Jules B. LaPidus

### Doctor of Philosophy

One hundred and forty-six candidates

Lynn Price Ager, Ferndale, Mich.  
B.A. (George Washington University); M.A. (University of Alaska)  
*Field of Specialization:* Anthropology  
*Adviser:* Dr. Erika Bourguignon

Varouj Aram Aivazian, Montreal, Que., Canada  
B.S. (Massachusetts Institute of Technology); M.A.  
*Field of Specialization:* Economics  
*Adviser:* Dr. Edward J. Kane

Carol Akkerman, Houston, Tex.  
B.S. (University of Houston); M.S. (Texas Woman's University)  
*Field of Specialization:* Education  
*Adviser:* Dr. Aaron J. Miller

Wayne Thomas Armbrust, Columbiana  
B.S., M.S. (Case Institute of Technology)  
*Field of Specialization:* Physics  
*Adviser:* Dr. Katsumi Tanaka

Mercedes Perrier Ballou, Anchorage, Ky.  
B.S. Educ. (Notre Dame College of Staten Island);  
M.A. (University of Louisville)  
*Field of Specialization:* Education  
*Adviser:* Dr. Charlotte S. Huck

Richard Irwin Baum, Brooklyn, N. Y.  
B.S. (Cornell University); M.S.  
*Field of Specialization:* Computer and Information Science  
*Adviser:* Dr. David K. Hsiao

Fredericka Joan Baytos, Warren  
B.A. (Rosary Hill College); M.A.  
*Field of Specialization:* Sociology  
*Adviser:* Dr. Christen T. Jonassen

Doris Marie Beard, Sacramento, Calif.  
B.S. in H.E. (University of Texas); M.S. (University of Tennessee)  
*Field of Specialization:* Home Economics  
*Adviser:* Dr. Francille M. Firebaugh

Harold Ronell Benson, Tabor City, N. C.  
B.S. (Morris College); M.A.  
*Field of Specialization:* Education  
*Adviser:* Dr. William D. Dowling

Diane Weaston Birekbichler, Westerville  
B.A. (Otterbein College); M.A.  
*Field of Specialization:* Education  
*Adviser:* Dr. Gilbert A. Jarvis

Myron James Blackman, Poland  
B.A. (Miami University)  
*Field of Specialization:* Geology and Mineralogy  
*Adviser:* Dr. Ernest G. Ehlers

Robert Mitchell Blankenship, Kenova, W. Va.  
B.S. (Marshall University)  
*Field of Specialization:* Chemistry  
*Adviser:* Dr. John S. Swenton

David Francis Bowers, Columbus  
B.S.M.E. (University of Alabama); M.S. (University of Wisconsin)  
*Field of Specialization:* Metallurgical Engineering  
*Adviser:* Dr. Roger W. Staehle

David Bruce Boynton, Pinellas Park, Fla.  
B.A., M.A. (University of South Florida)  
*Field of Specialization:* Psychology  
*Adviser:* Dr. Henry R. Angelino

Howard Wallace Braham, Columbus  
B.S. (California State College at Los Angeles);  
M.S. (California State Polytechnic College)  
*Field of Specialization:* Environmental Biology  
*Adviser:* Dr. Tony J. Peterle

Nicolas Jose Bravo, Columbus  
B.S., M.S. (Kent State University)  
*Field of Specialization:* Agricultural Engineering  
*Adviser:* Dr. Glenn O. Schwab

Dennis Joseph Buchholz, Cleveland Heights  
B.A. (Ohio Wesleyan University); M.A.  
*Field of Specialization:* Psychology  
*Advisers:* Dr. Donald Meyer and Dr. Gary Berntson

Jonnie Horst Budke, Columbus  
B.S. (Montana State University); M.S.  
*Field of Specialization:* Home Economics  
*Adviser:* Dr. Jean D. Dickersheid

William Carl Carlson, Wooster  
B.S. (University of Washington); M.S.  
*Field of Specialization:* Botany  
*Advisers:* Dr. Merlyn M. Larson and  
Dr. Richard A. Popham

John Beynon Carnes, Amsterdam  
B.A. (Kenyon College); B.S. (University of Akron)  
*Field of Specialization:* Geology and Mineralogy  
*Adviser:* Dr. Stig M. Bergström

Judi Anne Proietti Caron, Columbus  
B.S. (Arizona State University); M.A.  
*Field of Specialization:* Sociology  
*Adviser:* Dr. Timothy J. Curry

Hong Jo Chang, Seoul, Korea  
B.S.E. (Seoul National University); M.S.  
*Field of Specialization:* Electrical Engineering  
*Adviser:* Dr. William W. Anderson

James David Chapel, Ridley Park, Pa.  
B.A. (Franklin and Marshall College)  
*Field of Specialization:* Geology and Mineralogy  
*Adviser:* Dr. Charles H. Summerson

Mon-Chao Chen, Taipei, Taiwan  
B.S. (Cheng Kung University)  
*Field of Specialization:* Chemistry  
*Adviser:* Dr. Roger E. Gerkin

Hyun Sam Cho, Seoul, Korea  
B.S. (Hanyang University); M.S.  
*Field of Specialization:* Chemical Engineering  
*Advisers:* Dr. Aldrich Sverson and Dr. John T. Heibel

David Nathan Cohen, Columbus  
B.A., M.A.  
*Field of Specialization:* Education  
*Adviser:* Dr. Donald R. Bateman

Sue Winters Cohen, Xenia  
B.A. (Wright State University); M.A.  
*Field of Specialization:* English  
*Adviser:* Dr. James R. Kincaid

Jose Luiz Ioriatti Dematte, Piracicaba, Brazil  
Engenheiro Agronomo (Universidade de Sao Paulo)  
*Field of Specialization:* Agronomy  
*Adviser:* Dr. Nicholas Holowaychuk

John William Demidovich, Fairborn  
B.S.Bus.Adm.; M.B.A. (George Washington University)  
*Field of Specialization:* Education  
*Adviser:* Dr. Robert W. McCormick

Sara Lee Derrick, Sandusky  
B.A. (Howard University); M.Ed. (Bowling Green State University)  
*Field of Specialization:* Home Economics  
*Adviser:* Dr. Claribel M. Taylor

William Robert Dessecker, Alliance  
B.A. (Muskingum College); M.Ed. (Kent State University)  
*Field of Specialization:* Physical Education  
*Adviser:* Dr. Daryl Siedentop

Henri Deutsch, Scranton, Pa.  
A.B. (Temple University); M.A.  
*Field of Specialization:* Psychology  
*Adviser:* Dr. Henry Leland

Un Hoi Do, Seoul, Korea  
B.S., M.S. (Seoul National University); M.S. (University of Chicago)  
*Field of Specialization:* Physiological Chemistry  
*Adviser:* Dr. Howard Sprecher

Daniel Lee DuBois, Macy, Ind.  
B.A. (Indiana Central College)  
*Field of Specialization:* Chemistry  
*Adviser:* Dr. Devon W. Meek

Andrew George Earnest, Dover, Pa.  
B.S. (Elizabethtown College); M.S.  
*Field of Specialization:* Mathematics  
*Adviser:* Dr. John S. Hsia

Joan Louise Earnhart, Columbus  
B.S., M.Ed. (Miami University)  
*Field of Specialization:* Education  
*Adviser:* Dr. Aaron J. Miller

Paul Gillilan Eckelberry, Columbus  
B.S. in Edu. (Capital University); M.A.  
*Field of Specialization:* Physical Education  
*Adviser:* Dr. Donald K. Mathews

Stephen Joseph Eitelman, Sharon Hill, Pa.  
B.S. (Drexel University)  
*Field of Specialization:* Chemistry  
*Adviser:* Dr. Derek Horton

Howard Ronald Epstein, Philadelphia, Pa.  
B.S. (Pennsylvania State University); M.A.  
*Field of Specialization:* Psychology  
*Adviser:* Dr. Dean H. Owen

Michael Burk Faist, Battlecreek, Mich.  
B.S. (Western Michigan University)  
*Field of Specialization:* Chemistry  
*Advisers:* Dr. Russell M. Pitzer and Dr. R. D. Levine

John Wayne Fidler, Dadeville, Mo.  
B.S.Agr., M.S. (University of Missouri)  
*Field of Specialization:* Poultry Science  
*Adviser:* Dr. Edward C. Naber

Thomas Warren Foster, Lima  
B.S. (University of Illinois); M.A. (Bowling Green State University)  
*Field of Specialization:* Sociology  
*Adviser:* Dr. Simon Dinitz

Alice Pickett Franklin, Columbus  
A.B. (Agricultural, Mechanical and Normal College); M.A.  
*Field of Specialization:* Sociology  
*Adviser:* Dr. Simon Dinitz

Charlette Rae Gallagher, Hennessey, Okla.  
B.S. (Oklahoma State University); M.S.  
*Field of Specialization:* Home Economics  
*Adviser:* Dr. Virginia M. Vivian

Martha McMackin Garland, Worthington  
B.A. (Tulane University); M.A. (Cornell University)  
*Field of Specialization:* History  
*Adviser:* Dr. Philip P. Poirier

Andrew Gaydos, Toronto, Ont., Canada  
B.A., M.Ed. (University of Toronto)  
*Field of Specialization:* Education  
*Adviser:* Dr. Aaron J. Miller

Michael James Gibbons, Jamesburg, N. J.  
B.A. (Seton Hall University); M.A.  
*Field of Specialization:* Education  
*Adviser:* Dr. Gilbert A. Jarvis

Glen Gordon Gilbert, Eugene, Ore.  
B.S., M.S. (University of Oregon)  
*Field of Specialization:* Health Education (Physical Education)  
*Adviser:* Dr. Mary K. Beyrer

Connie Louise Greene, Monticello, Ind.  
B.S., M.S. (Indiana University)  
*Field of Specialization:* Sociology  
*Adviser:* Dr. Alfred C. Clarke

Judith Danford Gussler, Columbus  
B.A., M.A.  
*Field of Specialization:* Anthropology  
*Adviser:* Dr. Erika Bourguignon

Noorgul Hamzakheyli, Jalalabad, Afghanistan  
B.S. (Kabul University); M.S. (American University of Beirut)  
*Field of Specialization:* Horticulture  
*Adviser:* Dr. Fred O. Hartman

Craig Kenneth Henkel, Youngstown  
B.S. (Wheaton College, Illinois)  
*Field of Specialization:* Anatomy  
*Adviser:* Dr. George F. Martin

- Andrew Wai-Wah Ho, Kowloon, Hong Kong  
B.Sc. (University of Illinois); M.S. (University of Wisconsin)  
*Field of Specialization:* Chemistry  
*Adviser:* Dr. Paul G. Gassman
- Philip Franklin Honsberger, Fairborn  
B.E.E., M.S.  
*Field of Specialization:* Electrical Engineering  
*Adviser:* Dr. Hsien C. Ko
- Lowell Bennett Howard, Athens  
A.B. (Bowling Green State University); J.D., M.A.  
*Field of Specialization:* Political Science  
*Adviser:* Dr. Lawrence J. R. Herson
- Mary Brown Howard, Columbus  
B.S. (Albany State College); M.A.  
*Field of Specialization:* Education  
*Adviser:* Dr. Charlotte S. Huck
- Allen Martin Hunter, II, Topeka, Kan.  
B.S. (United States Air Force Academy); M.S.  
*Field of Specialization:* Physics  
*Adviser:* Dr. Carl E. Nielsen
- John Lee Hutslar, McKeesport, Pa.  
B.S.Ed.; M.S. (Pennsylvania State University)  
*Field of Specialization:* Physical Education  
*Adviser:* Dr. Seymour Kleinman
- Marion Theresa Johnson, Columbus  
B.S. in Ed. (Chicago State University); M.Ed. (Kent State University)  
*Field of Specialization:* Education  
*Adviser:* Dr. Donald P. Sanders
- William Bruce Johnson, Myrtle Creek, Ore.  
B.S. (University of Oregon); M.A.  
*Field of Specialization:* Accounting  
*Adviser:* Dr. Orace E. Johnson
- Gautam Kar, Jamshedpur, India  
B.Tech. (Indian Institute of Technology, Kharagpur);  
M.Tech. (Indian Institute of Technology, Kanpur)  
*Field of Specialization:* Computer and Information Science  
*Adviser:* Dr. Lee J. White
- Ronald Jay Karpf, New Brunswick, N. J.  
B.A. (University of Rochester); M.A.  
*Field of Specialization:* Psychology  
*Adviser:* Dr. John E. Horrocks
- Bruce Clifton Kelley, Columbus  
B.A., M.S.  
*Field of Specialization:* Preventive Medicine  
*Adviser:* Dr. Thomas N. Chirikos
- John Francis Kennedy, Troy, N. Y.  
B.A. (Niagara University); M.A. (University of Dayton)  
*Field of Specialization:* Education  
*Adviser:* Dr. Robert J. Silverman
- Lou Ray King, Winchester, Ky.  
B.A. (University of Kentucky); M.P.H. (University of California, Berkeley)  
*Field of Specialization:* Education  
*Adviser:* Dr. Ross L. Mooney
- Thomas Eugene Kirkpatrick, Columbus  
B.S. (Florida State University); M.A. (University of Tennessee)  
*Field of Specialization:* Education  
*Adviser:* Dr. Robert E. Taylor
- Martha Lee Knorre, Dayton  
A.B. (Ohio University); M.A.  
*Field of Specialization:* Education  
*Adviser:* Dr. Gilbert A. Jarvis
- Douglas M. Lambert, London, Ont., Canada  
B.A., M.B.A. (University of Western Ontario)  
*Field of Specialization:* Business Administration  
*Adviser:* Dr. Bernard J. La Londe
- Jerry Thomas Lang, Minster  
B.A. (Miami University); M.S.  
*Field of Specialization:* Entomology  
*Advisers:* Dr. Woodbridge A. Foster and Dr. Frank W. Fisk
- Moo Ung Lee, Seoul, Korea  
B.S.Eng. (Seoul National University); M.S.  
*Field of Specialization:* Mechanical Engineering  
*Adviser:* Dr. Lynn L. Faulkner
- Bruce Alan Lessley, Wooster  
B.S. (University of Akron)  
*Field of Specialization:* Poultry Science  
*Adviser:* Dr. Keith I. Brown
- Wen-shyong Thomas Lin, Taipei, Taiwan  
B.A. (National Taiwan University); M.A.Comm.  
(National Chengchi University); M.S. (University of California)  
*Field of Specialization:* Accounting  
*Adviser:* Dr. Thomas J. Burns
- Marie Anne Lintner, Lemont, Pa.  
B.S.Ed. (Central Missouri State College);  
M.S.P.E. (University of North Carolina at Greensboro)  
*Field of Specialization:* Physical Education  
*Adviser:* Dr. Bruce L. Bennett
- Alejandro López-Deyne, Guaynabo, Puerto Rico  
B.A., B.B.A., M.A. (University of Puerto Rico)  
*Field of Specialization:* Sociology  
*Adviser:* Dr. Alfred C. Clarke
- Albert Frank Maag, Columbus  
B.S. (Seton Hall University); M.L.S. (Rutgers University)  
*Field of Specialization:* Education  
*Adviser:* Dr. I. Keith Tyler
- Ian Leslie Madden, Columbus  
B.S. (University of Illinois); M.S.  
*Field of Specialization:* Chemistry  
*Adviser:* Dr. Daryle H. Busch
- Faiz Makdisi-Ilyas, Damascus, Syria  
B.E. (American University of Beirut); M.S. (Purdue University)  
*Field of Specialization:* Civil Engineering  
*Adviser:* Dr. Kamran Majidzadeh
- Anthony Peter Mannarino, Columbus  
A.B. (Cornell University); M.A.  
*Field of Specialization:* Psychology  
*Adviser:* Dr. Charles Wenar

- Emily Laws Marcantel, Carroll  
B.A.; M.Sc. (Louisiana State University)  
*Field of Specialization:* Geology and Mineralogy  
*Adviser:* Dr. James W. Collinson
- Stanley J. Martinkosky, Columbus  
B.S.Ed. (Ohio University); M.A. (Western Michigan University)  
*Field of Specialization:* Communication  
*Adviser:* Dr. John W. Black
- Raymond Robert McKay, Springfield, Va.  
B.A. (Culver-Stockton College)  
*Field of Specialization:* Economics  
*Adviser:* Dr. Herbert S. Parnes
- Susan Sternberg Mentzer, Merrick, N. Y.  
B.A. (Pennsylvania State University); M.A.  
*Field of Specialization:* Education  
*Adviser:* Dr. Charles B. Huelsman, Jr.
- Hazeldean Meyers, Orient  
B.S. in Edu. (Ohio University); M.A.  
*Field of Specialization:* Education  
*Adviser:* Dr. Alexander Frazier
- Philip Link Miller, Columbus  
B.A.  
*Field of Specialization:* Political Science  
*Adviser:* Dr. Stuart J. Thorsen
- Margaret Rose Monaghan, Columbus  
B.A. (Saint Francis College); M.S.Ed. (University of Dayton)  
*Field of Specialization:* Communication  
*Adviser:* Dr. Robert R. Monaghan
- Stanley Lee Moreland, Centerville  
B.S.Ed.; M.Ed. (Wittenberg University)  
*Field of Specialization:* Education  
*Adviser:* Dr. Walter G. Hack
- Philip Iain Morgan, Edinburgh, United Kingdom  
B.A. (University of Strath—Clyde); M.A.  
*Field of Specialization:* Education  
*Adviser:* Dr. John C. Belland
- Byron Albert Naum, Columbus  
B.S.Bus.Ad., B.S.Ed., M.A.  
*Field of Specialization:* Education  
*Adviser:* Dr. Alexander Frazier
- Angel Federico Nebbia, Wilmington  
M.A. (New School for Social Research)  
*Field of Specialization:* Sociology  
*Adviser:* Dr. Alfred C. Clarke
- Rafael Neshet, Winnipeg, Man., Canada  
B.Sc. (University of Manitoba)  
*Field of Specialization:* Physiological Chemistry  
*Adviser:* Dr. Fred A. Kruger
- Kien Duc Nguyen, Oakland, Calif.  
B.S., M.A. (California State College at Hayward)  
*Field of Specialization:* Dairy Science  
*Adviser:* Dr. Wayne R. Gomes
- John Allen Nikora, Amherst  
B.S. (Baldwin-Wallace College); M.S.  
*Field of Specialization:* Chemistry  
*Adviser:* Dr. Paul G. Gassman
- Charles Gordon Noll, Northumberland, Pa.  
B.A. (Bloomsburg State College); M.S.  
*Field of Specialization:* Physics  
*Adviser:* Dr. L. Carlton Brown
- Christine Mason O'Connell, Columbus  
B.S. (University of Oregon); M.A.  
*Field of Specialization:* Education  
*Adviser:* Dr. Vance W. Cotter
- Roger Allan Page, Lima  
B.S. (Michigan State University); M.A.  
*Field of Specialization:* Psychology  
*Adviser:* Dr. George G. Thompson
- Krishnan R. Pandalai, Monroeville, Pa.  
B.Sc. (University of Travancore); B.Sc.Chem.Engr.  
(Banaras Hindu University); M.Chem.Engr. (Villanova University)  
*Field of Specialization:* Chemical Engineering  
*Adviser:* Dr. Robert S. Brodkey
- Lynn Kettler Penrod, Piqua  
B.A.; M.A.T. (Yale University)  
*Field of Specialization:* Romance Languages and Literatures  
*Adviser:* Dr. Pierre Astier
- Ian Leonard Pepper, Birmingham, England  
B.Sc. (University of Birmingham); M.S.  
*Field of Specialization:* Agronomy  
*Adviser:* Dr. Robert H. Miller
- James Cody Phillips, Klamath, Ore.  
B.A. (University of Oregon); M.A.  
*Field of Specialization:* Slavic Languages and Literatures  
*Adviser:* Dr. David F. Robinson
- James Ronald Phipps, Cedarville  
B.A. (Cedarville College); M.A.  
*Field of Specialization:* Communication  
*Adviser:* Dr. James L. Golden
- Bernard Joseph Ploeger, Dayton  
B.S. (University of Dayton); M.S.  
*Field of Specialization:* Mathematics  
*Adviser:* Dr. Bogdan M. Baishanski
- Lawrence John Prochaska, Lafayette, Ind.  
B.S. (Illinois State University)  
*Field of Specialization:* Biochemistry  
*Adviser:* Dr. Elizabeth L. Gross
- Arthur Bruce Pyster, Chicago, Ill.  
B.S. (University of Illinois); M.S.  
*Field of Specialization:* Computer and Information Science  
*Adviser:* Dr. H. William Buttlemann
- Iqbal Singh Rai, Ludhiana, India  
B.A., B.Sc. (Panjab University); M.E. (University of Roorkee)  
*Field of Specialization:* Civil Engineering  
*Adviser:* Dr. Charles A. Moore

Bali Ram, Varanasi, India  
B.A. (Banaras Hindu University) ; M.A.S., M.A. (Kashi  
Vidyapitha University) ; M.A. (University of Western  
Ontario, Canada)  
*Field of Specialization:* Sociology  
*Adviser:* Dr. William Petersen

William Allen Ramoska, Barberton  
B.S., M.S.  
*Field of Specialization:* Entomology  
*Adviser:* Dr. Walter F. Hink

Linda Ruth Rapp, Columbus  
B.S. (Saint Lawrence University) ; M.A.  
*Field of Specialization:* Agronomy  
*Adviser:* Dr. Henry Leland

Yella Gaddam Reddy, Karimnagar, India  
B.S., M.S. (Andhra Pradesh Agricultural University)  
*Field of Specialization:* Psychology  
*Adviser:* Dr. Eugene O. McLean

Glenn David Ritchie, Columbus  
B.A. (Ohio Wesleyan University) ; M.A.  
*Field of Specialization:* Psychology  
*Adviser:* Dr. Donald R. Meyer

Roger Dean Roediger, Wapakoneta  
B.S. Agr., M.A.  
*Field of Specialization:* Agricultural Education  
*Adviser:* Dr. J. Robert Warmbrod

Susan Rose, Milwaukee, Wis.  
B.S. (Marquette University) ; M.S. Educ. (University  
of Kansas)  
*Field of Specialization:* Education  
*Adviser:* Dr. John O. Cooper

Garry Wayne Royer, Phillipsburg  
B.A. (Wright State University) ; M.S. (Miami University)  
*Field of Specialization:* Education  
*Adviser:* Dr. Charles B. Huelsman, Jr.

James Howard Scheiner, Chesterfield, Mo.  
B.S.B.A., M.B.A. (Washington University) ; M.A.  
*Field of Specialization:* Accounting  
*Adviser:* Dr. Thomas J. Burns

James Joseph Schwartz, Newark  
Ph.B., Ph.L. (Pontificia Universitas Gregoriana, Vatican  
City) ; M.A.  
*Field of Specialization:* Romance Languages and  
Literatures  
*Adviser:* Dr. Charles Carlut

Ann Bertha Scrandis, Richmond Hill, N. Y.  
B.S. (City College) ; M.S.  
*Field of Specialization:* Mathematics  
*Advisers:* Dr. Hans Zassenhaus and Dr. Surinder Sehgal

Uday Kumar Sengupta, Poona, India  
B.Tech. (Indian Institute of Technology, Kanpur) ; M.S.  
*Field of Specialization:* Electrical Engineering  
*Advisers:* Dr. Hsien C. Ko and Dr. Ulrich H. Gerlack

Michael Herman Shaevitz, Columbus  
B.S., M.S.  
*Field of Specialization:* Physics  
*Adviser:* Dr. Neville W. Reay

Howard Neal Shapiro, Cleveland Heights  
B.S., M.S.  
*Field of Specialization:* Mechanical Engineering  
*Adviser:* Dr. Michael J. Moran

Carol Ann Shepard, Mobile, Ala.  
B.S. (Alabama State University) ; M.A.  
*Field of Specialization:* Education  
*Adviser:* Dr. James B. Gunnell

John Frederick Shiner, Anna  
B.S. (Capital University) ; M.A. (University of  
Maryland)  
*Field of Specialization:* History  
*Adviser:* Dr. Allan R. Millett

Charles Henry Showell, Jr., Columbus  
B.S. (University of Maryland) ; M.S. (Air Force Institute  
of Technology)  
*Field of Specialization:* Business Administration  
*Adviser:* Dr. Robert C. Miljus

Lawrence Silverman, Huntington Woods, Mich.  
B.F.A., M.A. (Wayne State University)  
*Field of Specialization:* Communication  
*Adviser:* Dr. Robert W. Wagner

Malvinder Singh, Ludhiana, India  
B.S., M.S. (South Dakota School of Mines and  
Technology)  
*Field of Specialization:* Agricultural Engineering  
*Adviser:* Dr. Gordon L. Nelson

James Amos Snide, Dayton  
B.S.M.E. (Ohio University) ; M.S. (Air Force Institute  
of Technology)  
*Field of Specialization:* Metallurgical Engineering  
*Adviser:* Dr. Gordon W. Powell

Thomas Carroll Stilwell, Piqua  
B.S. Agr., M.S.  
*Field of Specialization:* Agronomy  
*Adviser:* Dr. Trevor G. Arscoot

James Robert Stock, Hollywood, Fla.  
B.S., M.B.A. (University of Miami)  
*Field of Specialization:* Business Administration  
*Adviser:* Dr. Bernard J. La Londe

Piyush Swami, Hapur, India  
B.S. (Agra University) ; B.Ed. (Rajasthan University) ;  
M.Ed. (Western Washington State College) ; M.S.  
*Field of Specialization:* Education  
*Adviser:* Dr. Stanley L. Helgeson

Alice Kruckeberg Swinger, Englewood  
B.S. (Miami University) ; M.Ed. (Wright State  
University)  
*Field of Specialization:* Education  
*Adviser:* Dr. Charlotte S. Huck

Leroy George Taft, Corning, N. Y.  
B.S.A. (University of Georgia) ; M.S.  
*Field of Specialization:* Agronomy  
*Adviser:* Dr. Edward W. Stroube



Chun Pang Tam, Hong Kong  
B.Sc. (Chinese University of Hong Kong) ; B.Sc.  
(University of Hong Kong) ; M.Sc. (Sam Houston State  
University)  
*Field of Specialization* : Physics  
*Adviser* : Dr. David O. Edwards

Richard Vincent Telloni, Lorain  
B.S. (Rutgers University) ; M.S.  
*Field of Specialization* : Poultry Science  
*Adviser* : Dr. R. George Jaap

Grant Ian Thrall, San Gabriel, Calif.  
B.A. (California State College at Los Angeles) ; M.A.  
*Field of Specialization* : Geography  
*Adviser* : Dr. Emilio Casetti

T. Norman Tomazic, Millfield  
B.S. Ed. (Ohio University) ; M.A. in Ed. (Ball State  
Teachers College)  
*Field of Specialization* : Education  
*Adviser* : Dr. Donald G. Lux

Carolyn Louise Trowbridge, Archbold  
B.A. (Defiance College) ; M.S.  
*Field of Specialization* : Dairy Science  
*Adviser* : Dr. H. Charles Hines

Ji Hsiung Tsai, Taichong, Taiwan  
B.S. (Fu-Jen Catholic University) ; M.S.  
*Field of Specialization* : Chemistry  
*Adviser* : Dr. Derek Horton

John Allen Valley, Wickliffe  
A.B. (Borromeo Seminary of Ohio) ; M.A. (John Carroll  
University)  
*Field of Specialization* : Psychology  
*Adviser* : Dr. Lyle D. Schmidt

Frank Joseph Varga, Jr., Crestline  
B.S., M.S.  
*Field of Specialization* : Microbiology  
*Adviser* : Dr. Bruno J. Kolodziej

Roger Craig Vogel, Cleveland  
B.Mus., M.A.  
*Field of Specialization* : Music  
*Adviser* : Dr. Norman Phelps

Joseph Anthony Waldron, Columbus  
B.A. (State University of New York College at  
Buffalo) ; M.A.  
*Field of Specialization* : Psychology  
*Adviser* : Dr. Henry R. Angelino

Gary Jacob Warmink, Lynden, Wash.  
A.B. (Calvin College) ; M.A.  
*Field of Specialization* : Music  
*Adviser* : Dr. A. Peter Costanza

Doris Sarver White, Greenville  
B.A. (Miami University) ; B.S.Ed. ; M.A. (Columbia  
University)  
*Field of Specialization* : Communication  
*Adviser* : Dr. John W. Black

Susan Craig Willis, Owensboro, Ky.  
B.A. (Centre College of Kentucky) ; M.A.  
*Field of Specialization* : Psychology  
*Adviser* : Dr. Henry R. Angelino

Roy Russel Wilson, Jr., West Bend, Wis.  
A.B. (University of Michigan) ; M.A. (University of  
Denver)  
*Field of Specialization* : Education  
*Adviser* : Dr. Charlotte S. Huck

John Edward Wolf, Reynoldsburg  
D.D.S., M.S.  
*Field of Specialization* : Microbiology  
*Adviser* : Dr. Frank W. Chorprenning

Myrna Anne Yeakle, Columbus  
B.S.Ed. ; M.A. (University of California at Los Angeles)  
*Field of Specialization* : Health Education (Physical  
Education)  
*Adviser* : Dr. Mary K. Beyrer

Linda Nishigaya Yu, Honolulu, Hawaii  
B.A. (Chaminda College of Hawaii) ; A.M. (Colorado  
State College)  
*Field of Specialization* : Sociology  
*Adviser* : Dr. Clyde W. Franklin

## Master of Accounting

Three candidates

Bruce Edward Bennett, Columbus  
B.S.Bus.Adm.  
*Field of Specialization: Accounting*

Robert Clark Langdon, Columbus  
B.S.; M.A. (University of  
Minnesota); M.Div. (Asbury  
Theological Seminary); M.B.A.  
*Field of Specialization: Accounting*

Judith W. Tansky, Worthington  
B.S.Ed.  
*Field of Specialization: Accounting*

## Master of Architecture

Two candidates

Sheldon Robert Goldstine, Cleveland  
B.S.Bus.Adm., B.S.Arch.; M.B.A.  
(Case Western Reserve University)  
*Field of Specialization: Architecture*

David Lynn Ruth, Dayton  
B.S.Arch.  
*Field of Specialization: Architecture*

## Master of Arts

One hundred and seventy-two candidates

Frank Robert Abate,  
Birmingham, Mich.  
B.A. (Xavier University)  
*Field of Specialization: Classics*

Steven Victor Abramson,  
Havertown, Pa.  
B.A. (Bucknell University)  
*Field of Specialization: Political  
Science*

John J. Ackelson, Fort Collins, Colo.  
B.A. (Oral Roberts University)  
*Field of Specialization: Sociology*

Mary Regan Angeletti, Worthington  
B.S.Ed.  
*Field of Specialization: Education*

Susan Hung Gin Au,  
Honolulu, Hawaii  
B.A. (University of Hawaii)  
*Field of Specialization: History of  
Art*

Robert A. Ayers, Reynoldsburg  
B.A. (Capital University)  
*Field of Specialization: Classics*

Wendy Ruth Ban, Columbus  
A.B. (University of Detroit)  
*Field of Specialization: English*

George Cameron Barcus, Mt. Vernon  
B.S.Ed.  
*Field of Specialization: Education*

Kathryn A. Baringhaus,  
New York, N. Y.  
B.A. (State University of New York  
College at Fredonia)  
*Field of Specialization: Economics*

Charles Michael Bell, Huntsville  
B.S.Ed.  
*Field of Specialization: Education*

Sister JoAnn Betzold, Columbus  
B.S.Ed. (University of Dayton);  
M.A. (Cardinal Stritch College)  
*Field of Specialization: Education*

°Nancy A. Beyer, Taft, Tex.  
*Field of Specialization:  
Communication*

Pamela Jane Blaha, Akron  
B.S.Ed. (University of Akron)  
*Field of Specialization: Music*

Eleanor Marie Blanco,  
New Orleans, La.  
B.A. (Louisiana State University)  
*Field of Specialization: Anthropology*

Thomas William Blickle, Toledo  
B.B.A. (Ohio University)  
*Field of Specialization: Philosophy*

Lynette Sue Boyce, Columbus  
B.S.Ed.  
*Field of Specialization: Education*

James A. Breaugh, Boston, Mass.  
B.A. (Boston College)  
*Field of Specialization: Psychology*

Susan Outhwaite Brucker, Bucyrus  
B.S.Ed. (Ohio University)  
*Field of Specialization: Education*

Richard Merlan Budd, Port Clinton  
B.A. (Bowling Green State  
University)  
*Field of Specialization: History*

Gerda Buskirk, Santa Ana, Calif.  
B.A.  
*Field of Specialization: Anthropology*

Katherine Elizabeth Calabria,  
Dallas, Tex.  
B.A. (Bethany College)  
*Field of Specialization: Education*

Timothy J. Carr, State College, Pa.  
B.A. (Pennsylvania State University)  
*Field of Specialization: Economics*

Ann Marie Casey, Ida Grove, Iowa  
B.S. (Iowa State University)  
*Field of Specialization: Education*

George A. Chamblin, Anderson, Ind.  
B.A. (Purdue University)  
*Field of Specialization: History*

Bobbyette Claybrooks, Columbus  
B.Educ. (University of Toledo)  
*Field of Specialization: Education*

Madonna Ann Clifton, Columbus  
B.S.Ed. (Ball State Teachers College)  
*Field of Specialization: Education*

Linda Patricia Collier,  
St. Michaels, Md.  
B.S. (University of Maryland)  
*Field of Specialization: Journalism*

Florence Elisabeth Coman,  
Wolcott, N. Y.  
A.B. (Vassar College)  
*Field of Specialization: History of  
Art*

Barbara Ayres Conley,  
Huntington, W. Va.  
B.A. (Marshall University)  
*Field of Specialization: English*

Teresa Townsend Conrad, Springfield  
B.S. (Eastern Kentucky University)  
*Field of Specialization:  
Communication*

Constance Bond Conway, Columbus  
B.A. (Knox College)  
*Field of Specialization: History of  
Art*

Spencer William Cunningham,  
Bellefontaine  
B.S. (Bluffton College)  
*Field of Specialization: Education*

Antoinette T. Cypher, Columbus  
B.S.Ed.  
*Field of Specialization: Education*

Karen Sue Dauer, Perrysburg  
B.S. (Kent State University)  
*Field of Specialization: Education*

Richard Lee Debevoise, Columbus  
B.S.Ed. (Kent State University)  
*Field of Specialization: Education*

Kathryn Toukonen Detwiler,  
Jefferson  
B.S.Ed.  
*Field of Specialization: Education*

Lois Marlyn Drossman, Columbus  
A.B. (Washington University)  
*Field of Specialization: Public  
Administration*

Patricia Rollason Erdos, Columbus  
A.B. (Grove City College)  
*Field of Specialization: Education*

John Boyer Findling, Jr., Columbus  
B.A.  
*Field of Specialization: History*

\* Also Bachelor of Arts, Colleges of the  
Arts and Sciences

- Carolyn Louise Fitzgerald,  
College Park, Md.  
B.A. (University of Maryland)  
*Field of Specialization*: Psychology
- Roger William Fones, Columbus  
B.A. (Denison University); J.D.  
*Field of Specialization*: Economics
- Mabel Gilbert Freeman, Columbus  
B.S.Ed.  
*Field of Specialization*: Education
- Mary Louise Freeman, Columbus  
B.S. (Southern Illinois University)  
*Field of Specialization*: Anthropology
- Michael Francis Gibbons, Columbus  
B.S.Ed.  
*Field of Specialization*: Education
- Inmaculada Gildemontes-Bataller,  
Seville, Spain  
B.A.  
*Field of Specialization*: Romance  
Languages and Literatures
- David L. Gill, Waterloo, Ind.  
B.A.  
*Field of Specialization*:  
Communication
- Norma Jean Gilliam, Columbus  
B.S.Ed.  
*Field of Specialization*: Education
- David Lynn Gleason, Portsmouth  
B.S.Ed. (Ohio University)  
*Field of Specialization*: Education
- Michael Gordon, Beachwood  
B.A. (Amherst College)  
*Field of Specialization*: Psychology
- Robert F. Gross, Jr., Waunakee, Wis.  
B.A. (University of Wisconsin)  
*Field of Specialization*: Theatre
- Patrick J. Gurney, Scranton, Pa.  
B.A. (Wilkes College)  
*Field of Specialization*: Sociology
- Theodore Wesley Hammond, Dayton  
B.A.  
*Field of Specialization*: Journalism
- Valerie C. Harper, Columbus  
B.A. (Notre Dame College)  
*Field of Specialization*: Art Education
- Noreen Foradori Hayes, Cleveland  
B.S.Ed. (Kent State University)  
*Field of Specialization*: Psychology
- Susan Diane Hite, Vermilion  
A.B. (Heidelberg College)  
*Field of Specialization*: Education
- Mary Jo Hlay, Columbus  
B.A.  
*Field of Specialization*: English
- Joan Kathleen Hoff, Warren  
B.S.  
*Field of Specialization*: Education
- Virgil Vincent Hollingsworth, Sr.,  
Columbus  
B.A.; M.A. (Central Michigan  
University)  
*Field of Specialization*: History
- Karen D. Hopper, Worthington  
A.B. (Allegheny College)  
*Field of Specialization*: Education
- Norma P. Hostetler, Reynoldsburg  
B.A. (Wittenberg University)  
*Field of Specialization*: Education
- Steven Dale Houser, Fairborn  
B.M. (Wright State University)  
*Field of Specialization*: Music
- David Milton Huddleston,  
Nashville, Tenn.  
B.S. (Middle Tennessee State  
University)  
*Field of Specialization*: Public  
Administration
- Barry B. Huff, Columbus  
B.S.Ed.  
*Field of Specialization*: Education
- Robert A. J. Hughes,  
New Haven, Conn.  
B.A. (University of Connecticut)  
*Field of Specialization*: Anthropology
- Marie Jerencsik, Columbus  
B.A. (Case Western Reserve  
University)  
*Field of Specialization*: Education
- Gene Autry Johnson, Columbus  
B.S.Ed.  
*Field of Specialization*: Education
- Lois Schicker Johnston, Delaware  
B.S.Ed.  
*Field of Specialization*: Education
- Judith Pinkerton Josephson,  
Columbus  
B.S.Ed. (Northwestern University)  
*Field of Specialization*: Education
- Julie Ellen Kagy, Bucyrus  
B.S.Ed.  
*Field of Specialization*: Education
- John D. Keough, Johnstown  
B.S. (Clarion State College)  
*Field of Specialization*: Education
- Kathleen A. Kienle, Columbus  
B.S.Ed.  
*Field of Specialization*: Education
- Rebecca P. Kimberly, Columbus  
B.S.Ed. (Otterbein College)  
*Field of Specialization*: Education
- Geneva S. Kitching, Columbus  
B.S. (Atlantic Union College)  
*Field of Specialization*: Education
- Marilyn Davis Kolar, Salisbury, Md.  
B.Mus.Ed. (Madison College)  
*Field of Specialization*: Music
- Stephen Charles Kraynak, Columbus  
B.S.Ed.  
*Field of Specialization*: Education
- Daniel C. Krummes, Vallejo, Calif.  
A.B. (University of California at  
Berkeley)  
*Field of Specialization*: Anthropology
- Karen Renée Langer, Chicago, Ill.  
B.A. (Eisenhower College)  
*Field of Specialization*: Anthropology
- Steven Anders Larson, Columbus  
B.S.Ed.  
*Field of Specialization*: Public  
Administration
- Lewis Dean LeMaster, Zanesville  
B.S.Ed.  
*Field of Specialization*: Sociology
- Robert G. Lipkowitz, Brooklyn, N. Y.  
B.A. (Brooklyn College)  
*Field of Specialization*:  
Communication
- Paul Devereaux Marshall, Columbus  
B.A.  
*Field of Specialization*: Public  
Administration
- Suzanne Nevius Marshall,  
Mt. Sterling  
B.A.  
*Field of Specialization*: History of  
Art
- Terri Cannon Martin, Dublin  
B.S.Ed. (California State College)  
*Field of Specialization*: Education
- Judith Warden Mayer, Granville  
B.S.Ed.  
*Field of Specialization*: Education
- Mary Mauney Mayes, Columbus  
B.A. (University of Louisville)  
*Field of Specialization*: Education
- Kathleen Ann McAdams, Delaware  
B.S.Ed.  
*Field of Specialization*: Education
- Stephen William McCallion,  
Amblar, Pa.  
B.S.F.S. (Georgetown University)  
*Field of Specialization*: History
- Leslie Hope McDaniel, Richwood  
B.A. (Capital University)  
*Field of Specialization*: Education

- Bonna Lee Meagher, Newark  
B.S.Ed.  
*Field of Specialization*: Education
- Laura Lee Meixner,  
Middleburg Heights  
B.A. (Baldwin-Wallace College)  
*Field of Specialization*: History of Art
- Daniel Linn Moore, Ellwood City, Pa.  
B.A. (University of Notre Dame)  
*Field of Specialization*: English
- Roque Moraes, Porto Alegre, Brazil  
Licenciado Em Quimica, Certificado  
(Universidade Federal do Rio Grande do Sul)  
*Field of Specialization*: Education
- Antonia Maureen Moras, Columbus  
B.A.  
*Field of Specialization*: English
- Margaret Lois Morrell, Ney  
B.A.  
*Field of Specialization*: English
- Carole Darlene Moyer, Columbus  
B.S.Ed.  
*Field of Specialization*: Education
- Michael James Munsch, Columbus  
B.A.  
*Field of Specialization*: Public Administration
- Kathleen Stitz Murdock, Columbus  
B.S.Ed.  
*Field of Specialization*: Education
- Marjorie E. Nickols, Huron  
B.S.Ed. (Bowling Green State University)  
*Field of Specialization*: Communication
- Deborah A. Nilson, Wyndmere, N. D.  
B.A. (Concordia College)  
*Field of Specialization*: Music
- Brian T. Nolan, Cochituate, Mass.  
B.A. (College of the Holy Cross)  
*Field of Specialization*: Classics
- Charlotte A. Noonan, Columbus  
B.A. (Rivier College)  
*Field of Specialization*: English
- Shigeru Numata, Tokyo, Japan  
B.A. in Commerce (Waseda University)  
*Field of Specialization*: Business Administration
- Jacqueline Joy Nusbaum, Columbus  
B.S.Ed.  
*Field of Specialization*: Public Administration
- Susan Older Nygaard,  
Alexandria, Va.  
B.A. (Boston University)  
*Field of Specialization*: Journalism
- Linda Steffel Olson, Delaware  
A.B. (Wittenberg University)  
*Field of Specialization*: History
- Walter Brian O'Malley, Columbus  
B.S.  
*Field of Specialization*: Psychology
- Mary Kathleen Parks, Columbus  
B.A. (Mount Union College)  
*Field of Specialization*: Education
- Wenonah Celeste Parsons,  
Fairfax, Va.  
B.A. (Duke University)  
*Field of Specialization*: Education
- Yvonne Peace, Columbus  
B.S.Ed. (Central State University)  
*Field of Specialization*: Education
- Rosemary Pearson, Columbus  
B.S.Ed.  
*Field of Specialization*: Education
- Russell B. Peplaw, Columbus  
B.A. (Baldwin-Wallace College);  
M.C.R.P.  
*Field of Specialization*: Public Administration
- Tracey Lee Percival, Columbus  
B.A.  
*Field of Specialization*: Communication
- Doretta Lou Petree, Columbus  
B.A. (Baldwin-Wallace College)  
*Field of Specialization*: Public Administration
- Martha G. Petrucci, Columbus  
A.B. (College of Saint Mary of the Springs)  
*Field of Specialization*: Education
- Dennis Andrew Petruska,  
Levittown, Pa.  
B.A. (University of Pittsburgh)  
*Field of Specialization*: Economics
- Susan Elizabeth Phillips, Columbus  
B.S.Ed.  
*Field of Specialization*: Education
- Mark Jon Piwinsky, Slickville, Pa.  
B.A. (Saint Vincent College)  
*Field of Specialization*: Political Science
- John Thomas Puglisi,  
Washington, D. C.  
B.A. (Catholic University of America)  
*Field of Specialization*: Psychology
- Ross Jay Rapaport, Lansing, Mich.  
B.A. (Michigan State University)  
*Field of Specialization*: Psychology
- Margaret Mosher Richards, Columbus  
B.A. (Wittenberg University)  
*Field of Specialization*: Education
- Nancy M. Rico, Newark  
B.S. Nurs.  
*Field of Specialization*: Health Education (Physical Education)
- Pamela Diane Ripley, Columbus  
B.S.Ed.  
*Field of Specialization*: Education
- Nicholas Joseph Rodono, Wickliffe  
B.S. (Bowling Green State University)  
*Field of Specialization*: Public Administration
- Shirley McKinney Roe, Columbus  
B.S.Ed.  
*Field of Specialization*: Education
- Jacqueline A. Rogers, Gahanna  
B.S.Ed.  
*Field of Specialization*: Education
- MariJo Rogers, Royal Oak, Mich.  
A.B. (University of Detroit)  
*Field of Specialization*: English
- Gregory John Rose, Modesto, Calif.  
B.A. (California State College)  
*Field of Specialization*: Economics
- Nicolae Sacalis, Bucharest, Romania  
Licentiate (University of Bucharest)  
*Field of Specialization*: Education
- Marianne Salcetti, Pittsburgh, Pa.  
B.A.  
*Field of Specialization*: Journalism
- Elizabeth Anne Salt, Columbus  
B.A. (Western College)  
*Field of Specialization*: Anthropology
- Douglas Glenn Samuelson,  
Mankato, Minn.  
B.A. (Mankato State College)  
*Field of Specialization*: Anthropology
- Susanne M. Sarwark, Phoenix, Ariz.  
B.A. (Arizona State University)  
*Field of Specialization*: English
- Steven Robert Schneider, Gahanna  
B.S.Ed. (Miami University)  
*Field of Specialization*: Physical Education
- Marian Gail Schwab, Hamilton  
A.B. (College of Mount Saint Joseph on the Ohio)  
*Field of Specialization*: Education

Vicki Lynn Scott, Columbus  
B.A. (University of Dayton)  
*Field of Specialization*: History

Marie Marinucci Segal, Columbus  
B.S.Ed.  
*Field of Specialization*: Education

Madonna Kay Masterson Shannon,  
Mt. Vernon  
B.S.Ed. (Ohio University)  
*Field of Specialization*: Education

Kathryn Brohl Sharp, Mansfield  
B.S. in Educ. (Ashland College)  
*Field of Specialization*: Education

Patricia M. Shields, Portland, Ore.  
B.S. (University of Maryland)  
*Field of Specialization*: Economics

Lillies McPherson Shilling,  
Washington, D. C.  
A.B. (University of Michigan);  
M.A. (Columbia University)  
*Field of Specialization*: Journalism

Francine Washington Shivers,  
Lafayette, La.  
B.A. (Southern University and  
Agricultural and Mechanical College)  
*Field of Specialization*: Romance  
Languages and Literatures

Walter William Sigg, Reynoldsburg  
B.A., B.S.Ed.  
*Field of Specialization*: History

Peter Daniel Skirbunt, Cleveland  
B.S.Ed., B.A.  
*Field of Specialization*: History

Leslie Hannaway Smith, Westerville  
B.S.H.E.  
*Field of Specialization*: Education

Marilyn Elizabeth Smith,  
Buffalo, N. Y.  
B.S.Ed. (Ohio University)  
*Field of Specialization*: Journalism

Terrence R. Smith, De Soto, Tex.  
B.A. (David Lipscomb College)  
*Field of Specialization*: Public  
Administration

Robert V. Snide, Delaware  
B.S.Ed.  
*Field of Specialization*: Education

Jan Hume Snyder, Columbus  
B.S.Ed.  
*Field of Specialization*: Education

Semra Somersan, Istanbul, Turkey  
B.A. (Robert College); M.A.  
*Field of Specialization*: Anthropology

Charles Clark Sorrell, Newark  
B.A. (Baldwin-Wallace College)  
*Field of Specialization*: Physical  
Education

Harlon C. Stewart, Sandusky  
B.A. (Denison University)  
*Field of Specialization*: Political  
Science

Jackie Lee Stewart, Gahanna  
B.A.  
*Field of Specialization*: Political  
Science

Clara J. Suggs, Columbus  
B.S. (Mississippi Valley State  
College)  
*Field of Specialization*: Education

Dennis Carl Tenison, Cuyahoga Falls  
B.A. (Macalester College)  
*Field of Specialization*: Political  
Science

Arthur Lang Thomson, Lakewood  
*Field of Specialization*: Public  
Administration

Louise MacKenzie Todd, Cleveland  
B.S.Ed.  
*Field of Specialization*: Health  
Education (Physical Education)

Sister Elaine Tulanowski, Dallas, Pa.  
B.A. (College Misericordia);  
M.A. (Seton Hall University)  
*Field of Specialization*: History of  
Art

Shelley Turk, West Orange, N. J.  
B.A.  
*Field of Specialization*:  
Communication

Rosalyn Annette Uhrig, Columbus  
B.S.Ed.  
*Field of Specialization*: English

Donnadene W. Walkenshaw,  
Columbus  
B.S. in Ed. (Indiana University)  
*Field of Specialization*: Education

Richard Clarence Weese, Columbus  
B.S.Ed.  
*Field of Specialization*: Education

Bonnie Black Weinberg, Columbus  
B.S. (Pennsylvania State University)  
*Field of Specialization*: Education

Monroe A. Weinberger, Columbus  
B.Ch.E. (Pratt Institute)  
*Field of Specialization*: Education

Karen R. Weisheimer, Columbus  
B.S.Ed.  
*Field of Specialization*: Education

Barbara Bessey Weiss, Columbus  
B.S.Ed.  
*Field of Specialization*: Education

Robin K. Weiss, Columbus  
B.S.Ed.  
*Field of Specialization*: Education

Dennis Patrick Whalen, Columbus  
B.A. (University of Notre Dame)  
*Field of Specialization*: Journalism

Barbara Ann Wicks, Philadelphia, Pa.  
B.S.Ed. (Cheyney State College)  
*Field of Specialization*: Education

Freddie Williams, Jr., Columbus  
B.S. (Southern University)  
*Field of Specialization*: Health  
Education (Physical Education)

Sandra M. Williams, Dayton  
B.S.Ed.  
*Field of Specialization*: History of  
Art

Jesse L. Wood, Columbus  
B.S. in Ed. (Central State  
University)  
*Field of Specialization*: Education

Carol Anita Zelizer, Columbus  
B.S.Soc.Wel.  
*Field of Specialization*: Public  
Administration

#### **Master of Business Administration**

Thirty-one candidates

Gregory Dale Abbott, Columbus  
B.S.Bus.Adm.  
*Field of Specialization*: Business  
Administration

William Donald Alexander, Columbus  
B.S. (Findlay College)  
*Field of Specialization*: Business  
Administration

Ted Lynn Altenburg, Columbus  
B.S. in Bus. (Miami University)  
*Field of Specialization*: Business  
Administration

William Emerson Blaine, Jr.,  
Columbus  
A.B. (Bowdoin College); J.D.  
*Field of Specialization*: Business  
Administration

John Carl Bloomstrom, Wyoming  
B.S.Bus.Adm.  
*Field of Specialization*: Business  
Administration

Benjamin M. Braun, Columbus  
B.A. (Ohio Dominican College)  
*Field of Specialization*: Business  
Administration

Mark David Christman, Deshler  
B.S.Bus.Adm.  
*Field of Specialization*: Business  
Administration

Michael Dale Davis,  
Holmes Beach, Fla.  
B.A. (University of Southern  
Florida)  
*Field of Specialization*: Business  
Administration

Ronald D. Edwards, Columbus  
B.A.  
*Field of Specialization*: Business  
Administration

Ronald R. Haakonsen,  
Fox River Grove, Ill.  
B.Bus. (Western Illinois University)  
*Field of Specialization*: Business  
Administration

Seth Allen Hock, Columbus  
B.S.  
*Field of Specialization*: Business  
Administration

William J. Jessie, Marion  
B.E.A. (Morehead State University)  
*Field of Specialization*: Business  
Administration

James Lehr Kennedy, Needham, Mass.  
B.A. (College of Wooster); M.A.  
*Field of Specialization*: Business  
Administration

John G. Kilgore, Jr., Lima  
B.S. (University of Pennsylvania)  
*Field of Specialization*: Business  
Administration

David E. Lernerz, Janesville, Wis.  
B.S. (Wisconsin State University);  
M.A.  
*Field of Specialization*: Business  
Administration

Raymond Mark Locker, Columbus  
B.S.Agr., B.S.Bus.Adm.  
*Field of Specialization*: Business  
Administration

Phillip R. Lumpkin, Dayton  
B.S.I.M. (University of Arkansas)  
*Field of Specialization*: Business  
Administration

James D. Masi, Jr., Westerville  
B.S.  
*Field of Specialization*: Business  
Administration

Randall M. Mattern, Columbus  
B.S.E.E. (Purdue University)  
*Field of Specialization*: Business  
Administration

Bruce Lightle Mees, Frankfort  
B.S.Bus.Adm.  
*Field of Specialization*: Business  
Administration

David Joseph Navratil, Columbus  
B.S.  
*Field of Specialization*: Business  
Administration

Michael J. Oddou, Tiffin  
B.S. (University of Notre Dame)  
*Field of Specialization*: Business  
Administration

Lockwood L. Oliver, III, Middleburg  
B.S.Bus.Adm.  
*Field of Specialization*: Business  
Administration

Ed M. Sharon, Haifa, Israel  
B.S., M.S. (Technion Israel Institute  
of Technology)  
*Field of Specialization*: Business  
Administration

Stephen Timm Sheridan, Columbus  
B.S.M.E.  
*Field of Specialization*: Business  
Administration

Dennis J. Shonebarger, Columbus  
B.S.Bus.Adm.  
*Field of Specialization*: Business  
Administration

John O. Sparks, Omak, Wash.  
B.A., M.S. (Central Washington  
College)  
*Field of Specialization*: Business  
Administration

Roy E. Swenson, II, Worthington  
B.A. (Washington and Jefferson  
College)  
*Field of Specialization*: Business  
Administration

Michael J. P. Telich, Euclid  
B.S. (Ashland College)  
*Field of Specialization*: Business  
Administration

Gary Wayne Uhl, Columbus  
B.S.M.E.  
*Field of Specialization*: Business  
Administration

Timothy Thomas Whalen, Cincinnati  
B.A. (University of Notre Dame)  
*Field of Specialization*: Business  
Administration

## Master of City and Regional Planning

Five candidates

James Howard Dougherty, Columbus  
B.A. (Morehead State University)  
*Field of Specialization*: City and  
Regional Planning

Paul Michael Hazlinger, Columbus  
B.S.Bus.Adm. (Xavier University)  
*Field of Specialization*: City and  
Regional Planning

Thomas C. Logsdon, Cleveland  
B.S.Agr.  
*Field of Specialization*: City and  
Regional Planning

Joseph Dennis Sweeney, Urbana  
B.A. (Urbana College)  
*Field of Specialization*: City and  
Regional Planning

Walter Carl Wehenkel, Jr.,  
Oxford, Mass.  
B.S. (University of Massachusetts)  
*Field of Specialization*: City and  
Regional Planning

## Master of Fine Arts

One candidate

Marc James Montell, Columbus  
B.F.A.  
*Field of Specialization*: Art

## Master of Music

Two candidates

Tin-Fook Thomas Ng,  
Macau, Hong Kong  
Diploma (Salesian College); B.A.  
(Hwa Kiu College); Assoc.Mus.  
(Trinity College of Music); M.A.  
*Field of Specialization*: Music

Douglas Paul Starr, Mount Vernon  
B.Mus.  
*Field of Specialization*: Music

## Master of Public Administration

Two candidates

Eric W. Carlson, Dayton  
B.S., M.S. (Wright State University)  
*Field of Specialization*: Public  
Administration

Stephan W. VanDine, Greenville  
A.B. (Wheaton College, Illinois)  
*Field of Specialization*: Public  
Administration

## Master of Science

One hundred and thirty-seven candidates

Mohamed Shawky A. Abdel-Rahman,  
Mansoura, Egypt  
B.A. (Higher Institute of  
Agriculture)  
*Field of Specialization*: Pharmacology

Natalie Joan Agnew, Columbus  
B.S.  
*Field of Specialization*: Microbiology

Judson Lewis Ahern, Jacksontown  
B.A. (Ohio Wesleyan University)  
*Field of Specialization*: Geology and  
Mineralogy

Lawrence G. Anderson, Jr., Jefferson  
B.S.Agr.  
*Field of Specialization*: Agricultural  
Education

Dennis Scott Andrews, Newark  
B.A. (Southern Illinois University)  
*Field of Specialization*: Computer and  
Information Science

William Frederick Andrews,  
Columbus  
B.I.E.  
*Field of Specialization*: Industrial and  
Systems Engineering

Ilze Kurins Antons, Columbus  
B.S. (Purdue University)  
*Field of Specialization*: Entomology

Carol Ann Ashton, Red Lion, Pa.  
B.S.Nurs.  
*Field of Specialization*: Nursing

Barbara Ann Bailey, New Lexington  
B.A. (Ohio Wesleyan University)  
*Field of Specialization*: Botany

Albert Louis Baker, Des Moines, Iowa  
B.A. (Drake University)  
*Field of Specialization*: Computer and  
Information Science

Dennis K. Baker, Bradford  
B.S.Agr.  
*Field of Specialization*: Agricultural  
Education

William Ronald Baker, Dayton  
B.S. (University of Illinois);  
M.S. (University of Dayton)  
*Field of Specialization*: Electrical  
Engineering

Henry M. Bartholomew, Pleasant Hill  
B.S.Agr.  
*Field of Specialization*: Agricultural  
Education

John Gardner Bishop, Cheshire, Conn.  
B.S. (University of Vermont)  
*Field of Specialization*: Dairy Science

Hugh Blocksidge, Cleveland  
B.S.C.E.  
*Field of Specialization*: Civil  
Engineering

Stephen Lee Bower, Circleville  
B.S.Agr.  
*Field of Specialization*: Agricultural  
Education

Lucinda Ann Bradley, Columbus  
B.S. (University of Delaware)  
*Field of Specialization*: Home  
Economics

Lucy Tait Breece, Columbus  
B.S.Nurs.  
*Field of Specialization*: Nursing

Cathy Lyn Brooks, Worthington  
B.S. (Denison University)  
*Field of Specialization*: Computer and  
Information Science

William Bunkley, Youngstown  
B.E. (Youngstown College); M.A.  
*Field of Specialization*: Civil  
Engineering

Nancy Cunningham Busey,  
Rocky River  
B.S.H.E.  
*Field of Specialization*: Home  
Economics

James Michael Cavanaugh, Jr.,  
Cleveland  
B.S. (Cleveland State University)  
*Field of Specialization*: Computer  
and Information Science

Shyama P. Chakroborty,  
Dacca, East Pakistan  
B.S.M.E. (East Pakistan University  
of Engineering and Technology)  
*Field of Specialization*: Mechanical  
Engineering

Luen Charm Chan, Chicago, Ill.  
B.E.E. (University of Dayton)  
*Field of Specialization*: Electrical  
Engineering

Vicente Chean,  
Santiago, Dominican Republic  
Engineer (Universidad Catolica  
Madre Y Maestra)  
*Field of Specialization*: Electrical  
Engineering

Francis Kou Wing Chee,  
Waialua, Hawaii  
B.S. (Oregon State University)  
*Field of Specialization*: Anatomy

Joseph Githinji Chege, Kenya  
B.Sc. (Makerere University)  
*Field of Specialization*: Agricultural  
Economics and Rural Sociology

Elizabeth Ann Cornman,  
Camp Hill, Pa.  
Diploma (Harrisburg Hospital  
School of Nursing);  
B.S.N. (University of Maryland)  
*Field of Specialization*: Nursing

Kevin Rae Crosthwaite, Marysville  
B.S.E.P.  
*Field of Specialization*: Physics

\*Dean Merlin Daugherty, Lexington  
*Field of Specialization*: Agricultural  
Education

Norman David Delamater,  
Harrisburg, Pa.  
B.S. (Rensselaer Polytechnic  
Institute)  
*Field of Specialization*: Astronomy

Randall D. Devendorf, Denver, Colo.  
B.S. (Colorado State University)  
*Field of Specialization*: Zoology

Frederick Joseph Dickey, Westerville  
B.S.  
*Field of Specialization*: Computer and  
Information Science

Yogesh Kumar Doshi, Bombay, India  
B.Tech. (Indian Institute of  
Technology)  
*Field of Specialization*: Electrical  
Engineering

Vincent Joseph Drago, Columbus  
B.S. (Polytechnic Institute of  
Brooklyn)  
*Field of Specialization*: Aeronautical  
and Astronautical Engineering

Dennis Michael Dugan,  
West Carrollton  
B.S.E.E. (Ohio University)  
*Field of Specialization*: Electrical  
Engineering

Richard D. Dyer, Jr., Dayton  
B.A.A.E.  
*Field of Specialization*: Aeronautical  
and Astronautical Engineering

Victoria Mary Dziadosz,  
Pawtucket, R. I.  
B.A. (Antioch College)  
*Field of Specialization*: Zoology

Laura Cox Dzurec, Columbus  
B.S. (University of Connecticut)  
*Field of Specialization*: Nursing

Richard Alan Farney, Wilson, Kan.  
B.S. (Kansas State University)  
*Field of Specialization*: Zoology

\* Also Bachelor of Science in Agriculture,  
College of Agriculture and Home Economics

Sister Earlene Ferneding, Springfield  
B.S.N. (University of Cincinnati)  
*Field of Specialization: Nursing*

Allan J. Ferrenberg, Dayton  
B.S. (Findlay College)  
*Field of Specialization: Mechanical Engineering*

Kathleen Ann Garrison Fletcher, Columbus  
B.A.  
*Field of Specialization: Preventive Medicine*

Peggy Coldwell Foster, Mt. Gilead  
B.S.Nurs.  
*Field of Specialization: Nursing*

Willma R. Gamatero, Manila, Philippines  
B.S. (University of the Philippines)  
*Field of Specialization: Chemistry*

Ronald Edward Garback, Youngstown  
B.E. (Youngstown State University)  
*Field of Specialization: Electrical Engineering*

Martin S. Glassman, Philadelphia, Pa.  
B.S.E.E. (Drexel Institute of Technology)  
*Field of Specialization: Electrical Engineering*

Christine Gmeiner, Dayton  
A.B. (College of Mount Saint Joseph on the Ohio); B.S.Nurs. (Case Western Reserve University)  
*Field of Specialization: Nursing*

Alan Paul Goldberg, Rahway, N. J.  
B.S.  
*Field of Specialization: Pharmacy*

Gary Paul Gordon, Columbus  
B.S.  
*Field of Specialization: Electrical Engineering*

Kathleen A. Grabaskas, Toronto  
B.S. (Ohio Dominican College)  
*Field of Specialization: Zoology*

Rene Francisco Guerra, Columbus  
B.S.E.E.  
*Field of Specialization: Electrical Engineering*

Kenneth Paul Hager, Cleveland  
B.S.  
*Field of Specialization: Computer and Information Science*

Ingjaldur Hannibalsson, Reykjavik, Iceland  
B.S. (University of Iceland)  
*Field of Specialization: Industrial and Systems Engineering*

Frederick Erwin Hartmann, Columbus  
B.S. (Marietta College)  
*Field of Specialization: Plant Pathology*

Jeffrey Daryl Hilleary, Columbus  
B.S.M.E.  
*Field of Specialization: Mechanical Engineering*

James Clyde Hower, Annville, Pa.  
B.A. (Millersville State College)  
*Field of Specialization: Geology and Mineralogy*

Deborah Heiple Hoy, Columbus  
B.S.Nurs.  
*Field of Specialization: Nursing*

John Han-Chung Hsu, Cleveland  
B.A. (Taiwan Provincial College of Law and Commerce);  
M.B.A. (University of Portland);  
M.B.A. (University of Oregon)  
*Field of Specialization: Computer and Information Science*

Lynn Ireland, Verona, Pa.  
B.S.Ed. (Indiana University of Pennsylvania)  
*Field of Specialization: Home Economics*

Berry Edward Johnson, Columbus  
B.Cer.E.  
*Field of Specialization: Ceramic Engineering*

William Carl Johnson, Columbus  
B.S. (Miami University)  
*Field of Specialization: Chemistry*

Jan Eric Juterbock, Maineville  
B.S. (Cornell University)  
*Field of Specialization: Zoology*

Dean Frank Kocian, Fairborn  
B.S. (United States Air Force Academy)  
*Field of Specialization: Electrical Engineering*

Dennis Krausman, Dayton  
B.E.E. (Villanova University)  
*Field of Specialization: Electrical Engineering*

Carolyn Mary Kus, Detroit, Mich.  
B.S. (Wayne State University)  
*Field of Specialization: Allied Medical Professions*

Janet Rush Lang, Columbus  
B.S.  
*Field of Specialization: Pathology*

Gary L. Leibee, McDonald  
B.S.Agr.  
*Field of Specialization: Entomology*

Kristina Rice Lewis, Dayton  
B.S.Nurs. (Capital University)  
*Field of Specialization: Nursing*

Gary R. Lockwood, Lancaster  
B.S.C.E. (Ohio University)  
*Field of Specialization: Civil Engineering*

Kathleen Maginnity, Delaware  
B.S.  
*Field of Specialization: Computer and Information Science*

Richard R. Martin, Bowling Green  
B.S.Agr.  
*Field of Specialization: Agricultural Education*

Jose Manuel Pereira Martins, Braga, Portugal  
Licenciado (Universidade do Porto)  
*Field of Specialization: Civil Engineering*

William Mark Massey, Chillicothe  
B.S.Agr.  
*Field of Specialization: Agricultural Education*

Thomas Dale Mays, Huntington, W. Va.  
B.S.  
*Field of Specialization: Microbiology*

Eugene Calton McCall, Jr., Laurinburg, N. C.  
B.S. (University of Kansas)  
*Field of Specialization: Mechanical Engineering*

Lew Read McCreery, Richfield  
B.A. (Marietta College);  
B.S. (University of Michigan)  
*Field of Specialization: Entomology*

Jane C. McGibbon, Georgetown, Guyana  
B.S.  
*Field of Specialization: Geodetic Science*

James Scott McKeever, Akron  
B.A.  
*Field of Specialization: Natural Resources*

\*William Lynn McKibben, Columbus  
*Field of Specialization: Agronomy*

James Andrew McMillan, Columbus  
B.S.  
*Field of Specialization: Preventive Medicine*

Paul Chih Meng, Jr., White Plains, N. Y.  
A.B. (Earlham College)  
*Field of Specialization: Chemistry*

\* Also Bachelor of Science in Agriculture, College of Agriculture and Home Economics



- Carolyn Sue Moore, Springfield  
B.S.  
*Field of Specialization*: Microbiology
- Charles LaVerne Moore, Jr.,  
Memphis, Tenn.  
B.S.E.E. (Memphis State University)  
*Field of Specialization*: Electrical  
Engineering
- Narinder Krishan Narda,  
Punjab, India  
B.S. (Punjab Agricultural  
University)  
*Field of Specialization*: Agricultural  
Engineering
- K. S. Natarajan, Madras, India  
B.Tech. (Indian Institute of  
Technology); M.E. (Indian Institute  
of Science)  
*Field of Specialization*: Computer and  
Information Science
- Thai Binh Nguyen,  
Gia Dinh, South Vietnam  
Agricultural Engineer (National  
Agricultural Center)  
*Field of Specialization*: Agricultural  
Economics and Rural Sociology
- Robert S. Olds, Columbus  
B.S. (Cornell University)  
*Field of Specialization*: Metallurgical  
Engineering
- Ronald M. Orr, Reedsville  
B.S. (Ohio University)  
*Field of Specialization*: Horticulture
- Steven Morris Ostgaard,  
Milford Center  
B.S.Agr.  
*Field of Specialization*:  
Animal Science
- William M. O'Sullivan,  
Dennisport, Mass.  
B.S.E. (University of Connecticut)  
*Field of Specialization*: Civil  
Engineering
- Andrew Jay Penniman, Bay Village  
B.A. (Albion College)  
*Field of Specialization*: Zoology
- Carl Michael Philabaum,  
West Lafayette  
B.S.  
*Field of Specialization*: Computer and  
Information Science
- Marilyn Shimp Pramschuer,  
Columbus  
B.Mus. (Ohio University)  
*Field of Specialization*: Home  
Economics
- Judith Ann Ramey, Davenport, Iowa  
B.S. (Loretto Heights College)  
*Field of Specialization*: Nursing
- John S. Rankin, Columbus  
D.V.M.  
*Field of Specialization*: Veterinary  
Anatomy
- Larry F. Reitz, Springfield  
B.E.E. (Cleveland State University)  
*Field of Specialization*: Electrical  
Engineering
- Laura Brunton Riesenber, Columbus  
B.A.  
*Field of Specialization*: Biophysics
- Randel G. Riley, Cleveland  
B.S.  
*Field of Specialization*: Microbiology
- Karl Wayne Rust, St. Paris  
B.S.A.A.E.  
*Field of Specialization*: Aeronautical  
and Astronautical Engineering
- John McDanell Sanders, Cincinnati  
B.W.E.  
*Field of Specialization*: Welding  
Engineering
- Karen Lee Saslaw, Columbus  
B.G.S. (University of Michigan)  
*Field of Specialization*: Allied  
Medical Professions
- Dieter Josef Schiller, Fairborn  
B.S. (Wright State University)  
*Field of Specialization*: Electrical  
Engineering
- Robert Louis Schlub, Springfield  
B.S.Agr.  
*Field of Specialization*: Plant  
Pathology
- David Bruce Schultz, Marion  
B.S.E.E.  
*Field of Specialization*: Electrical  
Engineering
- Gene H. Sefton, Cincinnati  
B.S.Agr.  
*Field of Specialization*: Animal  
Science
- Clifford Thomas Sheffield, Columbus  
B.A. (Miami University)  
*Field of Specialization*: Zoology
- Keith Alan Shubert, Columbus  
B.S.E.E.  
*Field of Specialization*: Electrical  
Engineering
- James William Skogsberg,  
Hinsdale, Ill.  
B.S. (University of Illinois)  
*Field of Specialization*: Metallurgical  
Engineering
- Michael Lee Snider, Columbus  
B.S.C.I.S.  
*Field of Specialization*: Computer and  
Information Science
- John T. Sommers, III,  
Washington C. H.  
B.S.Agr.  
*Field of Specialization*: Agricultural  
Education
- James Lee Steck, Brookville  
B.S.C.I.S.  
*Field of Specialization*: Computer and  
Information Science
- Myrna Sterin, Peabody, Mass.  
B.S.Agr.  
*Field of Specialization*: Natural  
Resources
- Ann Robinson Stevens, Wells, Maine  
B.S. (Hood College)  
*Field of Specialization*: Home  
Economics
- John R. Stoner, Lancaster, Pa.  
B.S.W.E. (LeTourneau College)  
*Field of Specialization*: Welding  
Engineering
- Alvin Eugene Stutz, Columbus  
B.S.  
*Field of Specialization*: Computer and  
Information Science
- Imtiyaz Ahmedali Syed,  
Bombay, India  
B.E. (University of Bombay)  
*Field of Specialization*: Mechanical  
Engineering
- Janet Gariano Thaman, Bogota, N. J.  
B.S. (University of Dayton)  
*Field of Specialization*: Chemistry
- George Edward Thompson,  
Monroeville, Ala.  
B.S. (University of Alabama)  
*Field of Specialization*: Computer and  
Information Science
- Sheng Augustin Tsao, Taipei, Taiwan  
B.L. (National Cheng-Chi  
University); M.S. (Ohio University)  
*Field of Specialization*: Industrial and  
Systems Engineering
- Ching-Liang Tseng, Taiwan  
B.S.E., M.S.E. (National Cheng-Kung  
University)  
*Field of Specialization*: Geodetic  
Science
- Charles Thomas Tulloss,  
Dayton, Tenn.  
B.S.F.E. (Tennessee State  
University)  
*Field of Specialization*: Electrical  
Engineering
- Carol Lynn Turner, Sugarcreek  
B.A. (Otterbein College)  
*Field of Specialization*: Natural  
Resources

Theodore Robert Vartorella,  
 Berlin Heights  
 B.S.Agr.  
*Field of Specialization: Animal  
 Science*

Mary Jo Vesper, Covington, Ky.  
 A.B. (Thomas Moore College)  
*Field of Specialization: Botany*

William Lee Wallace, Elida  
 B.S.C.E.  
*Field of Specialization: Civil  
 Engineering*

Lora Warkentin,  
 St. Catharines, Ont., Canada  
 Diploma (Mack Training School);  
 B.S.Nurs. (Goshen College)  
*Field of Specialization: Nursing*

Harold Everett Watson, Dayton  
 B.S. (Northwestern University)  
*Field of Specialization: Electrical  
 Engineering*

Mary Louise Webster, Waterloo, N. Y.  
 B.S. (University of Rochester)  
*Field of Specialization: Nursing*

Michael K. Weisel, Columbus  
 B.S.  
*Field of Specialization: Veterinary  
 Physiology and Pharmacology*

Patsy Lee Whitmer, Columbus  
 B.A. (Montana State College)  
*Field of Specialization: Home  
 Economics*

Daniel G. Williams, Endicott, N. Y.  
 B.S. (State University of New York  
 at Albany)  
*Field of Specialization: Computer and  
 Information Science*

Richard Leslie Wirt, Bellbrook  
 B.S. (University of Missouri,  
 Columbia)  
*Field of Specialization: Electrical  
 Engineering*

Andrew Simon Woyak, Eugene, Ore.  
 B.S. (University of Oregon)  
*Field of Specialization: Computer and  
 Information Science*

Johnny Oliver Wright, Radnor  
 B.S.Ch.E.  
*Field of Specialization: Chemical  
 Engineering*

Charles Ralph Zimmerman,  
 Lowellville  
 B.S. (LeTourneau College)  
*Field of Specialization: Welding  
 Engineering*

Amy Meryl Zwelling,  
 North Bellmore, N. Y.  
 B.A. (Boston University)  
*Field of Specialization: Microbiology*

## Colleges of the Arts and Sciences

Chairman, Coordinating Council of Deans: Colin B. B. Bull  
Vice Provost for the Arts and Sciences: Thomas A. Wilke

The Colleges of the Arts and Sciences, a federation of five colleges, includes:

### College of The Arts

Acting Dean: J. Osborn Fuller

### College of Biological Sciences

Dean: Richard Bohning

### College of Humanities

Dean: Arthur E. Adams

### College of Mathematics and Physical Science

Dean: Colin B. B. Bull

### College of Social and Behavioral Sciences

Dean: Edward C. McDonagh

## College of the Arts

Acting Dean: J. Osborn Fuller

### Bachelor of Arts

Eight candidates

Steven Robert Brooks, Worthington  
Diane C. Chengelis, Youngstown  
John David Erwin, Steubenville  
Walter Clare Lutton, Alliance  
Barbara Ann Meyer, Columbus  
Stephen Glen Nesser, Columbus  
Harlen Gene Pavlik, Columbus  
Michael Allan Swink, Minster

### Bachelor of Fine Arts

Seventeen candidates

Karen Cullop Barnes, Columbus  
Michael Joseph Crapsier, Groveport  
Diane Lanich Driscoll, Ashtabula  
Joan Deidre Honnigford, Marion  
Kassie Murphy Hurley, Columbus  
Kevin J. Keller, Attica  
Vandela Gail Major, Columbus  
Donald Kirkbride Martin, Columbus  
Cynthia Urfer McKenna, Dover  
Susan Marie Miller, Findlay

Jill Ann Nerem, Columbus  
Cynthia Helen Prebus, Columbus  
Sandra Noble Shadwick, Columbus  
James Burton Siegel, Covington  
Clifford Neill Simms, Youngstown  
Rosa Lea Mikesell Stevens, Columbus  
Mary Lou Sunderhaus, Lima

### Bachelor of Music

Two candidates

Ralph Lawrence Buening, Columbus  
Timothy John Webb, Girard

### Bachelor of Art Education and Bachelor of Music Education degree are offered jointly by the College of The Arts and the

### College of Education Bachelor of Art Education

Seven candidates

John Arthur Bomhoff, Columbus  
Carolyn Sue Hambrick, Columbus  
Susan Lynne Koewler, Dayton  
B.F.A.  
Joni Lynn Mathes, Wintersville  
Janet Lee Richards, Lebanon, Ill.  
Pamela Jo Sussman, Canton  
Judith Lynn Voorhies, Granville

### Bachelor of Music Education

Nine candidates

Nancy Hintz Ames, Massillon  
David Raymond Bubsey,  
Fairview Park  
Jeffrey Douglas Buchert, Marietta  
Joan Verhoff Cavanaugh, Leipsic  
Mary Louise Kalb, Bucyrus  
Patricia Elaine Koerner, Edgerton  
Paul Allen Parks, Columbus  
Charles Wesley Powell, Akron  
David Lewis Steele, Grove City

### Bachelor of Science in Industrial Design

Two candidates

Barry Scott Kaye, Columbus  
Ann Mitchell Miller, Lakewood

## College of Biological Sciences

Dean: Richard Bohning

### Bachelor of Arts

Four candidates

Joseph George Ceryan, Jr.,  
Youngstown  
Steven Alan Sato, Centerville  
D.D.S.  
Anthony Leon Underwood,  
Clarksville  
Robert Carl Wunderle, Brooklyn  
D.D.S.

### Bachelor of Science

Forty-nine candidates

Randy Gail Alkire, Mt. Sterling  
David Alan Bartolucci,  
Toms River, N. J.  
Paul Allen Baughman, Waynesburgh  
Matthew David Biggert, Columbus  
Robert Albert Blank, Poland  
Raymond George Brewer, Cleveland  
Kenneth Vern Cahill, Columbus  
Harold Joseph Cannon, Jr.,  
New Albany  
Lynn Patrick Carroll, Columbus  
William Milton Crowe, Ironton  
Richard Edgar Cryder, Chillicothe  
William Edward Downey, Coshocton  
Richard Truman Frankenberg,  
North Royalton  
Boma Mary Fubara, Columbus  
Susan Lynn Godez, Bridgeport  
Michael John Hagquist, Delaware  
David William Hazel, Xenia  
Peter Resch Hoy, Columbus  
Frederick Louis Jackson, Columbus  
Breneda LaVonne Johnson, Cleveland  
Claudia Merisa Khourey, Canton  
Yeo-Hoon Gary Koh, Sidney  
Marianne Wilson Kroninger,  
Pataskala  
Alan Eugene Lawrence, Warren  
Ricky K. Loudon, Jeromesville  
David Gray Loveland, Mansfield  
Philip Jan March, Columbus  
Edward Douglas McBride, Columbus  
Vicki Rose McCarren, Columbus  
Paul Kenji Metzger, Columbus  
Rebecca Sue Miller, Warren  
Patrick James O'Brien,  
Cleveland Heights  
Robbin Louise Palmer, Montpelier  
B.A.

Thomas James Rea, Columbus  
 Joseph Lee Reuter, West Jefferson  
 Edward William Rhode, III, Columbus  
 Margaret Lynne Saunders, Toledo  
 William Robinson Schomaker,  
 Cincinnati  
 Paul Edward Schutt, Euclid  
 Irene Marie Sova, Columbus  
 Sharon Allen Spencer, Marysville  
 Kathryn Starrett St. Jean, Sunbury  
 Steven Linn Swartz, Cleveland  
 Patrick James Toth, Chesterland  
 Donald George Wagner,  
 Cleveland Heights  
 Nicholas Arthur Walp, Columbus  
 Thomas Francis Walsh,  
 Pittsburgh, Pa.  
 Jon Eric Watral, Alban, Pa.  
 Karen Diane Weiss, Columbus

## College of Humanities

Dean: Arthur E. Adams

### Bachelor of Arts

Sixty-four candidates

Shari Joy Berman, Lynfield, Mass.  
 Alan David Bodenhorn, Cleveland  
 Clare C. Brodegard, Woodfield  
 Marsha Brosene, Cincinnati  
 Gail Smith Burke, Canal Winchester  
 Walter James Carney, Cincinnati  
 Joann Chern, Columbus  
 Harvey Joseph Click, Prospect  
 Janet Elizabeth Colli, Columbus  
 Thomas Jessen Conkle, Toledo  
 \*Hanna Danziger, Cedarhurst, N. Y.  
 Nancy Ann Drost, Findlay  
 Christie Ann Durtschi, Columbus  
 Louann Kay Fogg, Lancaster  
 David Joseph Fornadel, Columbus  
 Edwin McLaurin Gardner,  
 Washington, D. C.  
 Margaret Ann Geyer, Marion  
 Jeffrey Mark Goldberg, Queens, N. Y.  
 Christine Guarnieri, Warren  
 John Philip Hart, Groveport  
 Martha Jane Hernandez,  
 Coral Gables, Fla.  
 Deborah C. Hoerr, Cincinnati  
 \*Gayle Anita Hoover, Sandusky  
 James Harold Hosner, Cleveland  
 Pamela Jean Howell, Baldwin, N. Y.  
 Philip Ingrey, Mt. Vernon  
 Kara Su Kerstein, Columbus  
 Richard Nelson Kreider, Youngstown

Ralph Richard LaFazia,  
 Warwick, R. I.  
 Cindy Lou Landau, Youngstown  
 Johnny C. Langhurst, Willard  
 Charles William Leisenheimer, III,  
 Toledo  
 Patrick Charles Mahaffey, Columbus  
 Marsha Caecile McAdow,  
 Worthington  
 Paula Droz McCaw, Worthington  
 Maureen Margaret McGuire,  
 Circleville  
 Don William Miller, Fleming  
 Seth David Neiman, Dayton  
 Mary Sedor Nichols, Marion  
 James Michael Nolan, Cleveland  
 Michael Angelo Novelli, Canton  
 Kriss James Parsons, Cedarville  
 Kristine Sue Perry, Columbus  
 Brenda Mae Pomeroy, Marietta, Ga.  
 Deanna DiSantis Reed, Columbus  
 Ronald Cornell Rhone, Cleveland  
 John James Rich, Jr., Piqua  
 James Roger Salyer, Columbus  
 Stuart Alan Shiff, Fostoria  
 Richard Alan Shoemaker, Lima  
 Russell Alan Siler, Niles  
 Donald Albert Skinn, Fairborn  
 Marla Ann Smith, Vincent  
 Elizabeth Spontyl, North Canton  
 Melissa Jane Stanford, Columbus  
 Charles Rutledge Stevens, Columbus  
 Linda Jean Wallace, Columbus  
 Martin John Warner, Findlay  
 Rita Esther Weinrib, Columbus  
 Jeffrey William Weiser, Stow  
 Donald Lee Wilson, Massillon  
 John Trefz Wittenmyer, Columbus  
 Lysbeth Jane Young, Mansfield  
 Bonnie Gard Zipperer, Columbus

## College of Mathematics and Physical Sciences

Dean: Colin B. B. Bull

### Bachelor of Arts

Six candidates

Luis Saniel Banrey,  
 Humacao, Puerto Rico  
 Robert Phillip Becker, Cleveland  
 Craig Allan Friedli, Mt. Vernon  
 B.S.  
 Carl Arthur Mild, Masury  
 Duane Harold Parsley, Columbus  
 Mark Alan Seelenbinder, Columbus

### Bachelor of Science

Sixteen candidates

Harley Michael Bowers, Lancaster  
 Douglas Eugene Bugner, Fostoria  
 Carl Starling Cullison, Newark  
 Donald William Fisher, Columbus  
 Paul Frederick Fledderjohann, Lima  
 Wayne Peter Freeman, Columbus  
 Chris Lee Hudec, Hillsboro  
 Dennis Lee Marvin, Columbus  
 Douglas Dee Meyer, Kettering  
 Stephen Sherman Miller, Columbus  
 Keith K. Moffitt, West Liberty  
 Alan Richard Palmiter, Toledo  
 George Wynn Reuter, Canfield  
 Thomas Earl Shonk, Columbus  
 Vincent James Stranges, Columbus  
 Terry Louis Zachrich,  
 Long Branch, N. J.

## College of Social and Behavioral Sciences

Dean: Edward C. McDonagh

### Bachelor of Arts

One hundred and twenty-four candidates

Kirk Antone Ainger, Medina  
 \*Roger William Asterino, Urbana  
 Daniel Harold Bailey, Peebles  
 Jeffrey William Ball, Columbus  
 Sharon Barabas, Wadsworth  
 Kathy Dennis Bartelt, Fairborn  
 Harold Willis Bashor, Columbus  
 Marilyn Haines Bauer, Columbus  
 Roger Lee Beehler, Xenia  
 Galen Albert Bettae, Columbus  
 \*\*Nancy Anne Beyer, Taft, Tex.  
 Jay Harris Block, Columbus  
 Patricia Ann Boltz, Cuyahoga Falls  
 Edward Lee Brown, Bucyrus  
 Myra Susan Busch, Tiffin  
 Thomas Lee Butler, Bethesda  
 Augustus Ray Byrd, Jacksonville, Fla.  
 Terry Lee Campbell, Hamilton  
 Arlena Huffman Carpenter, Newark  
 Stephen Edward Carter, Circleville  
 George William Coffey, Poland  
 Gregory Dale Converse, Middletown  
 Susan Ellen Cooper, Akron

\* Also Bachelor of Science in Education,  
 College of Education  
 \*\* Also Master of Arts, Graduate School

Randy Ray Copeland, Bowerston  
 Mae Grace Cruse, Columbus  
 Lois Jean Darmstadter,  
 Lexington, Ky.  
 Caren Rae Davis, Cleveland  
 David Harold Davis, Columbus  
 Rebecca Buehler Diemer, Columbus  
 Sharon Lee Eilerman, Columbus  
 Scott Layne Ensor, Columbus  
 Barry Robert Fetzer, Cleveland  
 Ian Robert Fink, Beachwood  
 Gary Frederick Fisher, Kettering  
 Margaret Jones Fisher, Columbus  
 Lisa Ann Fortini-Campbell, Columbus  
 Brooks James Friley, Columbus  
 Harold Hershel Fry, Marion  
 Teresa Louise Gliagardo, Columbus  
 Toni Ann Giacalone, Nutley, N. J.  
 William Criswell Gish, Columbus  
 Rochelle Lee Gladstone, Beachwood  
 William Ralph Gray, Kettering  
 Phillip Adrian Green, Columbus  
 Richard Hobbs, Jr., Findlay  
 Jeffrey Tom Hodge, Dayton  
 Laura Lee Hodsdon, Cleveland  
 Rodney Lynn Hornsby, Utica  
 Renee Jeanette Houser, Columbus  
 Thomas Harry Hurley, Columbus  
 Molly James, Canfield  
 David Lee Johnson, Columbus  
 Jerry Washington Jones, Cincinnati  
 Dawn Kahl, Ashland  
 Kerry Rochelle Kahn, Girard  
 Paul Douglas Kerns, Fremont  
 Ralph Alan Kerns, Columbus  
 Hazel Carolyn Kerr, Columbus  
 Nancy Lynn Kiel, Doylestown  
 David Michael Krakoff, Toledo  
 Marvin Ray Kropko, Akron  
 Paul Scott Kuebler, Columbus  
 John Edward Lentsch, Jr., Dayton  
 Susan Carol Littlepage, Columbus  
 Roy Herman Loar, Elyria  
 William Levi Lutz, Alliance  
 Luanne LaRee Martin,  
 Cuyahoga Falls  
 Thomas Edward Mattimore, Jr., Toledo  
 Robert George Maxeiner, Columbus  
 Gary Michael McCannon, Dayton  
 David Martin McDorman, Columbus  
 Dennis John McGowan, Youngstown  
 David William McKean, Defiance  
 Patrick James McLarnan, Mt. Vernon  
 Daniel Scott Miller, Worthington  
 Hugh David Miller, Worthington  
 Samuel Steven Morris, Worthington  
 Janet Duffy Music, Columbus  
 Kathleen Clisby Neal, Cincinnati  
 Jack Michael Neibert,  
 Berkeley Heights, N. J.

George Crown Nowels, Columbus  
 Thomas Francis O'Shaughnessy, Jr.,  
 Columbus  
 Steven Allen Peak, Columbus  
 Lois Ann Pennington, Cincinnati  
 Timothy Walter Peters, Middletown  
 Yvonne Marie Pigler, Columbus  
 Leonard Richard Piotrowski,  
 Cleveland  
 Ann Hardisty Pruitt, Columbus  
 Michael Ludwig Quintus, Dayton  
 Mary Beth Ratcliff, Columbus  
 Marguerite Ann Reagan, Dayton  
 Janet Smith Reitz, Columbus  
 Laura Kay Reynolds, Dayton  
 Lawrence Martin Ross,  
 Amherst, N. Y.  
 Margaret Mary Ryan, Westerville  
 Susan Marcia Saferin, Beachwood  
 James William Sampsel, Marysville  
 Monte Lee Sanborn, Columbus  
 Patricia Jane Santanello,  
 Park Ridge, N. J.  
 Mark Thomas Sarro, Warren  
 Joseph Andrew Schoener, Columbus  
 David George Schroot, Columbus  
 Deborah Ann Schwartz, Columbus  
 Brodie Glenory Secrest, III,  
 Cambridge  
 John Witherspoon Shawkey, Jr.,  
 Reynoldsburg  
 John Francis Skunza, Columbus  
 Annetta Cleo Smith, Columbus  
 Susan Carole Steinberg, Cincinnati  
 Cert.Grad.Dent.Hyg.  
 Brenda Norman Stine, Kettering  
 Daniel Stojovich, Wickliffe  
 Robert Storey, Youngstown  
 Gary Larain Strup, Edon  
 Danny Reed Sucher, Dayton  
 Scott Leslie Sussman, Canton  
 Otis Thomas, Cincinnati  
 Michael Robert Totten, Lancaster  
 Mary Jeannette Vance, Westerville  
 Ernestine Ruth Vian, Reynoldsburg  
 B.S.Ed.  
 John Patrick Vogel, Upper Sandusky  
 Jay Blair Warford, Southfield, Mich.  
 Brad Allen Wasmund, Cincinnati  
 Wendy Karen Weiss, Gary, Ind.  
 Philip Bourland Wettersten,  
 Glen Cove, N. Y.  
 Ann Marie Zurcher, Hilliard

#### Bachelor of Science

Twenty candidates

Mary JoAnne Agnone, Youngstown  
 Jack Lee Anderson, Ironton

Mary Gilligan Ash, Columbus  
 Alison Mary Brown,  
 Phoenixville, Pa.  
 Philip Edward Burgel, Holgate  
 Nathan Leroy Griffin, Columbus  
 Christine Louise Hanf, Columbus  
 Barbara Jean Hoyer, Pittsburgh, Pa.  
 Stanley F. Krawson, Wintersville  
 Kriston Kent Manning, Columbus  
 Michael Burke Minnehan, Fairborn  
 Athamandia G. Nickles, Columbus  
 Jane Evans Nye, Hillsboro  
 Terrance Tyndal Parker, Cleveland  
 Susan Marie Ricci, Columbus  
 Thomas Leonard Scheren, Columbus  
 Douglas Craig Sheahan, Columbus  
 Marc Wendell Stephens, Tiffin  
 B.A.  
 David Wayne Walker, Columbus  
 Paul Brian Walters, Toledo

#### Bachelor of Arts in Journalism

Thirty-two candidates

Deborra Horn Armstrong, Columbus  
 Daniel Lawrence Assael,  
 Wantagh, N. Y.  
 Paul William Brown, Warren  
 James Walter Bruggeman, Columbus  
 Thomas Kevin Coyne, Jr., Bridgeport  
 Martin Leonard Creary, Lyndhurst  
 Teresa Lynn DeMuth, Bryan  
 Demetra Annette Doran, Columbus  
 Marilyn Sue Greenwald, Euclid  
 Lee Ann Hamilton, Cincinnati  
 Carlyle Ronald Hatfield, Hilliard  
 Judith Savage Hoeffler, Columbus  
 Candace Suzanne Hughes, Delaware  
 Kathy Marie Hyett, Bellaire  
 Kathleen Marie Kaiser, Grove City  
 Kevin King Kalwary, Columbus  
 Nancy Singer Kalwary, Mansfield  
 Denise Lee Kilgo, Barberton  
 Patrick Francis Mangan, Toledo  
 Donald Thomas McCarthy, Dayton  
 Marsha Dianne McCord,  
 Upper Sandusky  
 Thomas Joseph Millhouse, Sidney  
 Daniel Allan Novine, Euclid  
 Dennis Michael O'Gorman, Columbus  
 Thomas Rogers, Cleveland  
 James Sahli, Brunswick  
 Susan Rae Satzer, Mars, Pa.  
 Janet Klopmeier Scheren, Columbus  
 Robert Daniel Schrichte, Madeira  
 Love Grant Walker, Jr., Cincinnati  
 Duane Alan Whitt, Cleveland  
 Jan Faith Witt, Huron

## College of Administrative Science

Dean: Edward H. Bowman

### Bachelor of Science in Business Administration

One hundred and fifty-seven candidates

- Jules Arthur Abrams, Columbus  
Claude Merritt Adams, Jr.,  
South Boston, Va.  
Wesley Leroy Adkins, Miamisburg  
James Philip Arndts, Dayton  
Kenneth Ray Baehr, Bucyrus  
Keith Martin Baker, Barlow  
Francis Eugene Berger, Columbus  
Jane Elzoro Berry, Cleveland  
Sally Jane Biddle, Columbus  
Robert Lee Black, Columbus  
Bruce Karl Blumberg, Bay Village  
Stephen Lee Booher, Celina  
Thomas Edwin Borrer, Chagrin Falls  
John Edward Boyer, Columbus  
Stephen James Boyers, Wauseon  
Monica Colette Bracic, Parma Heights  
Carol Lee Brenner, Hanoverton  
Michael Albert Broidy, Columbus  
Daniel Lee Broadstone, Dayton  
Charles Arlington Brown, Columbus  
Michael Edward Buckner, Kettering  
Thomas Alan Burch, Marengo  
Judson Kirk Byrd, Alexandria  
Cheryl Susanna Byrne, Fort Jennings  
Gerald Leonard Cardwell, Columbus  
David Ray Carl, Madison  
Thomas Michael Cavalli, Willowick  
Richard Chranowski, Euclid  
Stephen Lester Coe, Columbus  
Mark Meredith Combs, Gates Mills  
Lewis Thomas Comer, Worthington  
John Russell Conley, Cleveland  
Jerry Wayne Craig, Mt. Vernon  
Charles Michael Davis, Columbus  
Donal Kirk Davis, Columbus  
Umberto Antonio DeBeneditto,  
Shaker Heights  
Andrew Morton Dempster, Sylvania  
John William Duffy, Columbus  
Alan Craig Duvall, Gahanna  
Kalman Yale Dworkin, Columbus  
Robert Dale Eckerman, Cleveland  
John Warwick Eggeman,  
Alexandria, Va.  
John William Erwin, Columbus  
Charles Edward Evans, Cleveland  
John Joseph Fantin, Wakeman  
Cecil Frederick Fike, Jr.,  
Sheffield Lake  
Christopher James Fisher, Columbus  
Robert Lee Foust, Westerville  
Thomas Lyle Freese, Columbus  
Joseph Phillip Gaglio,  
Rochester, N. Y.
- Paul Alan Garrett, Uhrichsville  
James Allen Gerber,  
New Philadelphia  
Jeffrey Allan Gifford, North Olmsted  
B.A.  
Alan Lynn Griebling, Mansfield  
Thomas William Grogan, Columbus  
Michael Scott Haar, Cincinnati  
Robert Lester Hall, Mansfield  
David Gerard Hanley, Heath  
Mark William Havanec, Brunswick  
Patrick Edward Hearlihy, Springfield  
John Leroy Houser, Piqua  
Michael Jay Imber, Columbus  
Ules Preston Jackson, Columbus  
Douglas Richard Janson, Columbus  
Raymond Louis Jason, Vermilion  
Gary Timothy Jones, Columbus  
Robert Harlan Jones, Columbus  
John Thomas Kehler, Chester, Pa.  
Michael James Kennedy, Columbus  
Merritt Alvin Kimball, Columbus  
Eileen Marie Kirchner, Columbus  
B.S. (Kent State University)  
Kim Frazier Koenig, Lima  
Cynthia Anne Kolic, Columbus  
Bruce Edward Krumlauf, Columbus  
Stephen Dain Kuhns, Springfield  
Thomas Sidney Lapworth, Newark  
Russell David Lau, Columbus  
Michael William Lenhart,  
Youngstown  
Sally Ann Leonhardt, Shelby  
Jonathan Edward Leuthold, Bucyrus  
Gary Lance Lieberman,  
University Heights  
Jeffrey Alan Link, Columbus  
Bert Charles Luedemann,  
Worthington  
Daniel William Lyons, Hinckley  
Thomas Edmund Mannix, Dayton  
Jeffrey Allan Martel, South Euclid  
John Mario Matthews, Logan  
William Elzy McCollough, Columbus  
Michael Andrew Medwid, Lexington  
Gust Emanuel Mehallis, St. Clairsville  
Stephen Minhovets, Parma  
Bruce Dalton Miller, Worthington  
Floyd Joseph Miller, Danville  
Ronald Lou Miller, Marysville  
Gregory Lee Moore, Columbus  
Steven Earl Moorman, Spencerville  
William Anthony Moran, Columbus  
Steven Alan Morrison,  
Huntington, W. Va.  
Kenneth Andrew Moss, Parma  
David Arthur Murphy, Gahanna  
Greg Steven Murphy, Columbus  
William Michael Neely, Columbus  
Tommy Ng, Columbus
- David Allen Nowak, Columbus  
Martha McCoy O'Loughlin, Columbus  
Charles Paolucci, Mayfield Heights  
Michael George Patton, Columbus  
Ulysses Pearson, Jr., Cleveland  
Jeffrey Wakefield Peck, Cincinnati  
Thomas Francis Pellington, Columbus  
Bruce Richard Pickart, Norway, Ia.  
Robert Francis Pielsticker,  
Springfield  
Harold Michael Pierce, Bucyrus  
Patricia Ann Pitts, Columbus  
Dennis Jay Powell, Covington  
Joseph John Pruchnicki, Cleveland  
Mark Russell Ramser, Jewell  
Charles Roger Reputzinsky, Cleveland  
Stephen John Roberts,  
Brookeville, Md.  
Fred Milton Rush, Dunkirk  
Carmen James Santoro, Mansfield  
Sarah Ann Satterfield, Sparta, N. J.  
Steven Grayton Saunders, Kettering  
Cary Paul Scofield, Newark  
Ronnie Lee Sebastian, London  
Timothy Francis Seggerson, Lima  
James Allen Shankle, Grove City  
Dennis Lee Shaw, Wauseon  
James John Sheehy, Jr., Medina  
Karl Eugene Sheets, Lima  
William Lewis Showen,  
Cuyahoga Falls  
Charles Lynn Shrewsberry, Columbus  
B.S.Ed.  
Robert Ralph Simon, Columbus  
Richard Duane Skorpen, Columbus  
Donald Withold Skorupski,  
Maple Heights  
Richard Allen Smudz,  
North Ridgeville  
Gary Curwood Spencer, Wilmington  
Joseph Randall Stine, Vandalia  
John Robert Streitenberger,  
Chillicothe  
Mark Hess Stupelli, Steubenville  
Michael Richard Sturges, Mansfield  
John McKeever Swain, Mansfield  
Leo Thomas Szary, Akron  
Larry Allen Thomas, Westerville  
James Richard Thompson, Jr.,  
Columbus  
Thomas Tyika, Solon  
Jerry Neil Ulrich, Sylvania  
Karl Alan Vandegriff, Zanesville  
Michael David Vernon, Euclid  
Philip Allan Voelker, Columbus  
William Michael Wallis, Lancaster  
James Stuart Wambach, Cincinnati  
Joseph Nathan Holmes Wiandt,  
Canton  
Christopher Dean Wilson, Cincinnati

Theodore Michael Wolf, Groveport  
Joseph Albert Young, Lakewood  
Andrew Jay Zeigler, Mansfield

### School of Social Work

#### Bachelor of Science in Social Welfare

Sixty-eight candidates

Beverly Bradshaw Abram, Columbus  
Brenda Ethel Anderson, Columbus  
Leslye Bailey, Dayton  
William Markward Balsou, Jr.,  
Columbus  
Carol Elizabeth Bartu,  
North Royalton  
Connie Jo Beachler, Westerville  
Nancy Ann Birnbaum,  
East Liverpool  
Mary Jackson Black, Mt. Vernon  
Pamela Susan Bley, Cleveland  
Beryl Janice Bloom, Toledo  
Stacy Jean Blumer, Chagrin Falls  
Jacquelyn Elaine Brown, Youngstown  
Susan Harriet Caplowe, Wadsworth  
Marsha Delores Causey, Cincinnati  
Neil Brandon Chivington, Marion  
Gregory Stanley Conely, Cleveland  
Breana Dalkoff, Munster, Ind.  
Brenda Letitia Davidson, Canton  
James Park Deam, Columbus  
Martha Christian Dunbar,  
Saratoga Springs, N. Y.  
Donald Lewis Ellington, Newark  
Jan Marie Evans,  
Daytona Beach, Fla.  
Michael Lewis Evans, Columbus  
Janet Marie Eyerman, Columbus  
Imogene Delores Folds, Columbus  
Robert Carl Foulk, Jr., Columbus  
Janice Sue Frazier, Newark  
Christina Marie Freede, Jefferson  
Ann Polois Garman, Youngstown  
Jan Elizabeth Geuy, Sidney  
Sherry Anderson Hagen, Woodville  
James Eugene Harrington, Canton  
Nappy Stanton Hetzler, Columbus  
Lynette Mae Hilston, Painesville  
Inez Dawn Hornung, Dublin  
Priscilla Howell Hurley, Hebron  
Carley Jean Ingram, Jeromesville  
Patricia Ann Jones, Mechanicsburg  
Carole Tina Kahn, Lido Beach, N. Y.  
Miriam Karrie, Haifa, Israel  
Elizabeth Kaweck, Columbus  
John Paul Kelley, Columbus  
Martha Jean Kenner, Destin, Fla.  
Debra Sue Leiter, Oregon  
Shirley Ann Lymon, Columbus

Lois Beth Mann, Englewood, N. J.  
Jeffrey Bruce Mathew, Hallsville  
Marcia Jeanne McMillen, Columbus  
Myrtis Dickson Meyer, Bowling Green  
Mark Allen Michalek, Canton  
Sue Larson Musgrave, North Olmsted  
Maureen Claire Oliva, Columbus  
Kathryn Ann Pekarovic, Niles  
Robin Karen Prager,  
Rockaway Beach, N. Y.  
Kathy Parsons Ricketts, Zanesville  
Barbara Lynn Roth, Hollywood, Fla.  
Diane Royster, Columbus  
Charles Allen Rudd, Columbus  
Gary Allan Sanders, Columbus  
Efrain Santiago, Campbell  
Ellen May Schwartz, Rochester, N. Y.  
Ellen Carol Segal, Cleveland  
Ronald James Smith, Dublin  
Marilyn Lou Stotter, Elyria  
Mary Lou Verba Strack, Westlake  
J. LaVerne Summers, Columbus  
Mark Alan Wellinghoff, Cincinnati  
Debra Ann White, Dayton

## College of Agriculture and Home Economics

Dean: Roy M. Kottman

#### Bachelor of Science in Agriculture

Sixty-seven candidates

Ralph Eugene Aller, McComb  
Michael Artino, Cleveland  
Jeanne Myers Bayer, Arcanum  
David Wayne Bodle, Newark  
Richard Allen Bogart,  
Columbus Grove  
Charles Richard Bratton, Danville  
Stephen Alan Carver, Columbus  
Robert Wilson Clark, Avon Lake  
Kurt G. Cline, Rockbridge  
Mark Coady, Carle Place, N. Y.  
Michael Eldridge Cole, Middletown  
Frederick Robert Conniff, Delaware  
Roger Curney Converse, Leetonia  
\*Dean Merlin Daugherty, Lexington  
David Paul Delahunty, Columbus  
David Brent Dowler,  
Moundsville, W. Va.  
Lynn Carson Dunkle, Circleville  
Mark Bradford Ellington, Columbus  
Kurt Thomas Engel, Euclid  
Roger Lee Fox, Columbus  
David Alured Gibson, Salem  
Kathleen Collins Goldsmith, Gahanna  
Mark Elliot Gorga, Akron  
Lawrence Garland Griffith,  
Georgetown  
Dan Walker Gross, Dayton  
Jeffrey Arthur Hakola, Marysville  
James Lyle Hazen, Painesville  
Robert Lee Hendershot, Galion  
Karen Lisle Hopkins, Columbus  
Thomas Wayne Hopkins, Peebles  
Jennifer Sally Hummel, Brice  
David Mark Jerome, Olmsted Falls  
Christopher Wayne Jones, Mason  
Michael Edward Kassner, Owensville  
Steve Douglas Kendrick, Delaware  
Wayne Martin Kollman, Twinsburg  
Larry Wayne Kurtz, Salem  
Brad DeWayne Laipply, Bucyrus  
William Paul Lau, Lebanon  
John David Louthan, Williamsburg  
Karl Joseph Matesich, Newark  
John Francis McGuire, Jr., Columbus  
\*William Lynn McKibben, Columbus  
Robert Jeffrey Moffatt, Mansfield  
A.B. (Washington University)  
John Mathew Mowbray, Portsmouth  
Kenneth Edwin Nuwer,  
South Wales, N. Y.  
Candyce Rae Petrie, Rocky River  
Roy Eugene Pullins, Quincy  
Deborah Kay Robbins, Hillsboro

\* Also Master of Science, Graduate School

Kim Kelly Root, Canal Winchester  
David Charles Schepmann, Cincinnati  
Jane Yoder Seger, Bellefontaine  
Richard Alan Seipel, Columbus  
Darryl Walter Shaul, Grove City  
David John Small, Cincinnati  
Mel Alan Smith, Hilliard  
Beth Marie Souder, Fostoria  
Jeffrey E. Spenzer, Parma  
Joseph Sudimack, III, Warren  
Barbara Wolford Tigyer, Columbus  
Tony Joseph Torma, Richfield  
Liane Vosatka, New London  
Stephen Arthur Walker, Dayton  
Christine Marie Walters, Gibsonburg  
Daniel Martin Webb, Bluffton  
Michael Andrew Wright,  
Andover, Mass.  
Timothy Mark Younker, Gibsonburg

#### **Bachelor of Science in Food Technology**

Three candidates

Robert Lawrence Ballentine,  
Columbus  
David Raymond Miller, Columbus  
Jerry Arlen Wright, Columbus

#### **School of Home Economics**

##### **Bachelor of Science in Home Economics**

Fifty-two candidates

Judith Wood Amstutz, Wooster  
Maria Billheimer Arbutina, Mansfield  
Marcy Lynn Arfa, Shaker Heights  
Lisa Deborah Berkowitz,  
San Diego, Calif.  
Barbara Faith Blatt, Cincinnati  
Gloria Bonnie, Urbana  
Julia Ray Boyer, Springfield  
Deborah Ellen Casto, Columbus  
Carol Clark Clements, Reynoldsburg  
Joyce Lynette Cochran, Marion  
Karen Lynn Coffey, Avon Lake  
Jane Marie Darst, Cheshire  
Kathleen Fisher Eble, Columbus  
Angela Carol Eisel, Swanton  
Mary Bell Ericksen, Bellefontaine  
Ammie Lucille Felix, Cleveland  
Louise Gadus George,  
Garfield Heights  
Susan Lynn Goldhardt, London  
Susan Ann Guzy, Sandusky

Patricia Dianne Hazlett, Lakewood  
Wendalou Hopewell, Hillsboro  
Janice Woodworth Hory, Cleveland  
Sarah Jane Jones, Columbus  
Deborah Smith Koons, Columbus  
Kristine Marie Kramer, Dayton  
Deborah Gail Kuzmiak, Worthington  
Julie Ann Light, Bucyrus  
Sally Anne Malobabic, Lorain  
B.A.  
Gail Elizabeth Mann, Marion  
Gemma Spriggs McLuckie, Gahanna  
Patricia Ann Mead,  
Middleburg Heights  
Marilyn Jean Miasofsky, Columbus  
Cynthia Lou Mushrush,  
New Philadelphia  
Mary Lee Naegele, Columbus  
Kathryn Ann Nichols, Rocky River  
Sue Ellen Nicholson, Cambridge  
Diane Marie Niederkohr,  
Upper Sandusky  
Wendy Claire Ninesling,  
Basking Ridge, N. J.  
Paula Sue Pfeil, Cincinnati  
Patricia Jean Rhoades, Bradford  
Patricia Elaine Rosser, Heath  
Jane Ellen Santry, Columbus  
Deborah Diane Schmittgen, Elyria  
Leslie Jean Shirk, Worthington  
Denise Lorraine Smith, Columbus  
Judith Ann Steele, Millersport  
Sandra Miller Strine, Galena  
Margaret Herbert Wagner,  
Reynoldsburg  
Margaret Lee Waker, Troy  
Brenda O'Brien Wolfe, Columbus  
Barbara Shannon Wright, Bexley  
Cathy Rothmund Young, Wadsworth

##### **Bachelor of Science in Restaurant Management**

One candidate

Dianne Lewis, Cortland

#### **School of Natural Resources**

##### **Bachelor of Science in Natural Resources**

Thirty-two candidates

Sally McKibben Arnold, Worthington  
Michael Kevin Bolan, Westlake  
John Frederick Brauning, IV,  
Westerville  
Kay Ellen Bryan, Portsmouth

Gary Richard Cline, Columbus  
John Kimberly Colby, Mansfield  
Keith Allen Cubbedge, Toledo  
Gerda Enid Dickey, Westerville  
Edmund Michael Falk, III, Coshocton  
James Michael Faucett, Cleveland  
Edwin Barker Folts, North Canton  
Don Mason Goodwin, Columbus  
Deborah Lee Grimes, Springfield  
David William Gudakunst, Gomer  
Gary Randolph Hale, Columbus  
Donald Ernest Howlett, Berea  
Frederick William Jackson, Columbus  
William Steven Jackson,  
Reynoldsburg  
Jeffrey Mark Kellner, Columbus  
Kathryn June Kuhles, Columbus  
Gary Mark Kuhn, Kettering  
Gregory Charles Lockwood, Lima  
David Andrew Pettenski, Columbus  
Michael Leo Reuscher, Madeira  
Buddie Risner, Columbus  
Virginia Louise Rohrer, Poland  
Scott Alan Schell, Bellbrook  
Robert Stanley Sharp, Wilmington  
Michael Silka, Mansfield  
David Livingston Smith, Columbus  
B.S. (Parsons College)  
Howard Eugene Wright, Columbus  
June Karin Zimmer, Lakewood

#### **Agricultural Technical Institute—Wooster**

##### **Associate of Applied Science Degree**

Twelve candidates

Meredith Jane Bradley, Berea  
Michael Franks Coleman,  
Pacific Palisades, Calif.  
Michael Eugene Ecker, Creston  
Douglas Elton Grubel,  
Upper Sandusky  
Alan Reed Jones, Wooster  
Mark Edward Laube, Danville, Ky.  
Mark Steven Matthews, Galloway  
James Matthew Scott, Chandlersville  
Charles Richard Semer, IV, Wooster  
Edward Raymond Stephens,  
Doylestown  
William Anton Urbanowicz, Jr.,  
Brecksville  
David Michael Vrabel, Wickliffe



## College of Dentistry

Dean: Charles L. Howell, D.D.S.

### Doctor of Dental Surgery

Three candidates

Louis Robert Bronkowski, Toledo  
B.S. (University of Toledo)

James Howard Broughton, Cincinnati  
B.A. (Hanover College)

Gregory Ray Owens, Mansfield  
B.S. (Wittenberg University)

## College of Education

Dean: Frederick R. Cyphert

### Bachelor of Science in Education

One hundred and seventy-six candidates

Janet Louise Alban, Columbus  
Ralph T. Albertson, Columbus  
Carol Yvonne Alls, Columbus  
Pamela Renee Andrew, Cleveland  
\*Roger William Asterino, Urbana  
Edward Everett Bailey, Spencerville  
Donna Kay Baird, Columbus  
Cert.Grad.Dent.Hyg.  
Dale Lee Baker, Columbus  
Nancy Buzby Bates, Columbus  
Annette Maria Battafarano,  
Youngstown  
Teresa Mary Baugher, Russia  
Samuel Lee Bell, Columbus  
Nancy Joan Benchell, Beachwood  
Ann Mathews Bercau, Lima  
Linda Recker Black, Ottawa  
Estelle Boswell, Steubenville  
Mark Kevin Boyce, Columbus  
James Douglas Boyd, Columbus  
Jan Lillian Bradford, Columbus  
Andrea Bond Brien, Marion  
Kathy Jean Brown, Piqua  
Cert.Grad.Dent.Hyg.  
Michael Leroy Buchenroth, Huntsville  
Glenna McGuire Burchett, Morral  
Kent William Burgert, Columbus  
Wendeline Burton, Canton  
Mary Catherine Byrne, Columbus  
Dorothy Baird Campbell, Edison  
Michael Mark Castor, Trenton, N. J.  
Cathleen Mary Cellentani, Shelby  
Thomas Dale Chevalier, Brooklyn  
Karen Marie Cole, Van Wert  
Betty Novak Colosimo, Columbus  
Terry Alvin Conley, Marion  
Bruce Ray Conrad, Columbus  
Darlene Conrad, Lima  
Cathy Walter Copeland, Marion  
Molly Suzanne Cotter, Columbus  
Clifford Walter Crooks, Columbus  
Paula Jo Cryder, Marion  
Belva Elaine Cummins, Lakeview  
Donna Raye Curfman, Topeka, Kan.  
Melinda Zimmerman Dalton,  
Wakeman  
\*Hanna Danziger, Cedarhurst, N. Y.  
Patricia Lynn Debitetto, Columbus  
Dorothy Lake Denny, Columbus  
Margaret Mary Dinan, Reynoldsburg  
B.A.  
Lisa Clare Dostal, Fairview Park  
Richard Allen Drudy, Columbus  
Curtis Lee Dusthimer, Newark  
Elizabeth Anne Eastman, Avon  
Rickey Lee Faulkner, Wheelersburg

Rhonda Jill Felkey, Lima  
William Joseph Fenzan, Wadsworth  
Richard William Filsinger, Jr., Euclid  
Jane McKarns Fireovid, Columbus  
Stephen Ray Fischer, Columbus  
Freda Kay Fisher, Norwood  
Joan Dorothy Garrow, Columbus  
Suzanne Gay, Columbus  
Geoffrey Norman Gibbs, Toledo  
William Lawrence Grable, Conneaut  
Kathryn Louise Hackman, Dayton  
Mary Moss Hager, Columbus  
Joyce Elaine Harris, Marengo  
Bradley Allen Hebble, Shelby  
B.A.  
Laurie Ann Hedges, Prospect  
Cert.Grad.Dent.Hyg.  
Jennifer Jamison Hoehn, Lima  
Theodore Michael Hoffman, Columbus  
\*Gayle Anita Hoover, Sandusky  
Linda Gail Hosler, Granville  
Wilma Ruth Philipps Hughes, Heath  
Matilda Jane Hulsey, New Matamoras  
Rita Louise Humienny, Steubenville  
Susan Lee Ingalls, Reynoldsburg  
Patricia Kay Jakim, Lima  
Cert.Grad.Dent.Hyg.  
Patricia Ann Jarus, Seven Hills  
Lucinda Rae Jeancola, Amherst  
Jeffrey Dean Johnides, Wooster  
Rita McDaniel Johnson, Morral  
Janice Mento Jones, Mansfield  
Paula Montgomery Jones,  
Steubenville  
Stuart Rodney Kertell, Columbus  
Stephen Carlton Kessler, Worthington  
Cynthia Funderburgh Kite, St. Paris  
Kathryn Mary Kozloski, Lorain  
John Henry Kuntor, Rochester, N. Y.  
Catherine Redmond Kurth, Columbus  
Charlotte Lashley Lee, Columbus  
Lawrence S. Levinson, Columbus  
B.A.  
Marsha Ann Littell, Berea  
Linda Kay Markley, Mansfield  
Cert.Grad.Dent.Hyg.  
Erik Johannes Marrero, Columbus  
Joyce Furbush Marsh, Mansfield  
Philip Evert Marsh, Upper Sandusky  
Judith Lynn Matthews, Wauseon  
James Matusoff, Trotwood  
Janice Kerr McCluer, Lima  
Terry Lynn McClure, Marion  
Lorraine Veronica McCormack,  
Cliffside Park, N. J.  
Gilbert Richard Melragon, Malta

\* Also Bachelor of Arts, Colleges of the Arts and Sciences

Frank Stephen Meszaros, Columbus  
B.A., M.A.

Barbara Anne Meus, Warren  
Barbara Ellen Miller, Lindsey  
Jo Ann Miller, Chillicothe  
Liisa Christine Miller, Seven Hills  
Lynn Louise Miller, Warren  
Marilynn Olivia Miller, Lebanon  
Susan Lee Moore, Columbus  
Douglas Lee Moran, Columbus  
Stephanie Olewiler Morris, Shelby  
Lyle Landis Moyer, Dalton  
Julie Ann Nishimura, Kettering  
Cert.Grad.Dent.Hyg.

Janine Norris, Berea  
Cert.Grad.Dent.Hyg.

Amy Louise Nowjack, Cadiz  
Peter Allen O'Hara, Toronto  
Cheryl Lynn Olesnanik, Columbus  
Linda Ratliff Omura, Columbus  
Gary Charles Osborne, New Albany  
Robert Allen Owens, Columbus  
Mary Reed Parish, Marion  
Stephanie Jo Peoples, Columbus  
Kim Maurer Pisel, Lima  
Karla Karalic Podnar, Clinton  
Jacob George Rabatin, Chardon  
Sharon Harriman Rees, Cridersville  
Dan Maurice Resler, Columbus  
Randolph Roye Reynolds, Columbus  
B.S.Bus.Adm.

Donna Lue Richardson, Columbus  
Cert.Grad.Dent.Hyg.

Carla Therese Ridenour, Columbus  
Diane Patrick Rinehart, Marion  
David Bruce Roach, Newark  
Judith Ellen Rohrer, Defiance  
Cert.Grad.Dent.Hyg.

Richard Stephen Romine, Newark  
Theodosia Sakis, Columbus

Nancy Lynn Salhoff, Upper Sandusky  
Cert.Grad.Dent.Hyg.

Randy Helene Samberg, Wayne, N. J.  
Robert Eugene Sampson, Lima  
Michael Ray Sapp, Columbus  
James Paul Schlotterbeck, Findlay  
Christine Agnes Schroeder, Ottawa  
Blair Edwin Schuler, Columbus  
Susan Jane Selogy, Canton  
Cert.Grad.Dent.Hyg.

Jean Underwood Sherer, Columbus  
David John Shunn, Columbus  
James Patterson Silk, Jr., Columbus  
Gary Lynn Simms, Columbus  
Donna Kaye Smith, Walhonding  
Sandra Jean Snider, Englewood  
Marla Deuker Snyder, Columbus  
Rikki Boykin Sparks, Columbus  
Jay Charles Stailey, Dublin

Sophia Antoinette Stangas,  
Springfield

Sally Stinson, Clarksburg  
Jack Elwood Stout, Jr., Richwood  
Audrey Courter Sulser, Delaware  
Geraldine Johnson Taylor, Columbus  
Cynthia Jane Thompson,  
Washington C. H.

Monty Ray Thompson, Portsmouth  
Debra Stewart Thress, Gahanna  
Harold Asa Titus, Mt. Gilead  
Nora Ann Tobin, Cleveland  
Stephen Spencer Tonnison, Columbus  
Steven Nelsen Toops, Mechanicsburg  
Ronald Allen Turner, Marion  
Victoria Lynn Valz, Milford  
Christopher Frederick Wanner,  
Columbus

Gregory Lynn Wayt, Columbus  
Rebecca Susan Weingart, Salem  
Dana Jo Williams, Columbus  
Cert.Grad.Dent.Hyg.  
Joel Stephen Williams, Groveport  
Krista Louise Wilson, Mt. Vernon  
Debra Ann Wohlman, Worthington  
Patricia Woolery Wolf, Logan  
Karen McManus Wolford, Johnstown  
Carolyn Chapman Wulforth, Hebron  
Lucille Butler Zajack, Mansfield

**Bachelor of Art Education and  
Bachelor of Music Education  
degree are offered jointly by the  
College of The Arts and the  
College of Education  
Candidates are listed on page 315**

## College of Engineering

Dean: Harold A. Bolz

### Bachelor of Science in Aeronautical and Astronautical Engineering

One candidate

Samuel Ira Klein, Columbus

### Bachelor of Science in Ceramic Engineering

One candidate

Howard Wallar, Columbus

### Civil Engineer

Three candidates

David Philip Goodwin, Columbus  
B.S.  
Abdulkaki Abdulmahmood Nasher,  
Yemen Arab Republic  
B.Sc.C.E. (Cairo University)  
Lian Wei, Ping-Tung, Taiwan  
B.S. (Chung Cheng Institute of  
Technology)

### Bachelor of Science in Civil Engineering

Thirteen candidates

Richard Phipps Brannan, Toledo  
Philip Hart Brown, Coshocton  
Karl Patrick Craven, Columbus  
Edward George Drahos, Avon  
B.S.  
Casey Cook Elliott, North Canton  
John Carl Gallucci, III, Columbus  
Randall Ray Holton, Columbus  
Chung-Loong Ernest Lau,  
North Point, Hong Kong  
Sangvorn Lipatapanlop,  
Bangkok, Thailand  
John Thomas McBrayer, Hilliard  
Richard Andrew McKee, Columbus  
James Charles Miller, Columbus  
Bart Rudolph Smole, Sidney

### Bachelor of Science in Computer and Information Science

Nine candidates

Robert James Atwell, Jr., Columbus  
Roy Michael DeJarnette, Port Clinton  
John Martin Ellis, Lorain  
Stephen Joseph Frank, Defiance

\*Steven Mark Kiger, Bowling Green  
Eric Christian Kilby, Ithaca, N. Y.  
William George Krieski,  
Cleveland Heights  
Jason Edward Smith, Delaware  
Thomas Allen Wheeler, Pataskala

#### Electrical Engineer

One candidate

James Merrill Tageson,  
Greenfield, Ind.  
B.S.E.E. (Rose Polytechnic  
Institute)

#### Bachelor of Science in Electrical Engineering

Twenty-one candidates

Steven Michael Amundson,  
La Crosse, Wis.  
James Lee Armitage, Columbus  
Paul Neuding Atwell, Columbus  
James Louis Bolinger, Columbus  
Mark Steven Byal, Toledo  
Kenneth Carpenter Clarke, Columbus  
Timothy James Dallas, Cleveland  
Donald Eugene Duval, Columbus  
B.A.  
Dorothy Carlson Foose, Columbus  
Peter Lee Holman, Columbus  
Jack Kretovics, Lorain  
Scott Paul Lockwood, Johnstown  
Michael Lawrence Mott, Parma  
James Carroll Myers, Columbus  
Cameron Lee Orr, Columbus  
Scott David Prall, Belle Center  
Steven Harold Rigg, Dayton  
Antonio Marcos Salazar,  
Chantilly, Va.  
Leonard John Surniak, Columbus  
Gary Michael Volan, Westerville  
Richard Kirke White, Reynoldsburg

#### Industrial Engineer

One candidate

Jacqueline Lechner, Columbus  
B.S.Ind.Des.

#### Bachelor of Science in Industrial and Systems Engineering

Eight candidates

Blair Jacoby Aukeman, South Vienna  
Gary Louis Bradway, Smithville  
William Arthur Farmer, Elyria  
Robert Evan Griffith, Columbus  
Raymond Clifton Jones, Columbus  
\*Steven Mark Kiger, Bowling Green  
Robin Soek-Chian Poci, Columbus  
Stephen Taylor Symes, Columbus

#### Bachelor of Science in Mechanical Engineering

Thirteen candidates

Reed Michael Bailey, Massillon  
Henry Louis Bernstein, Columbus  
B.A.  
Alexander Irodion Boeriu, Columbus  
Donald Stanley Bowersox, Xenia  
John Marshall Bruce, Columbus  
B.A. (University of Arizona)  
David Lee Conine, Cridersville  
James Alan Fireovid, Columbus  
B.S.Ed.  
John Allen Kundrat, Parma Heights  
James Douglas Palmer, Columbus  
Jeffrey Robert Rodek, Canton  
Andrew Paul Schaeffer, Cincinnati  
Fred Randolph Sleeper, Columbus  
Stanley Charles Waldruff, Columbus

#### Bachelor of Science in Welding Engineering

Two candidates

David Hughes Dawes, Adena  
Carl Glenn Hertenstein, Cincinnati

#### School of Architecture

#### Bachelor of Science in Architecture

Twenty-two candidates

William Carroll Andrews,  
New Philadelphia  
Said Mubarak Baarma,  
Jeddah, Saudi Arabia  
John David Bourdo, Columbus  
B.A.  
Leonard Rider Brice, Toledo  
B.F.A.

Gary Alan Bruck, Columbus  
Raymond Buckholz, Jr., Toledo  
Paul Stephan Derocher,  
Brockton, Mass.  
Michael David Downey, Columbus  
Dana Christopher Harruff,  
Westerville  
Michael Emerson Jones, Getorgetown  
Michael Arlan Kelley, Dayton  
James Paul Koehler, Cincinnati  
B.A. (University of Cincinnati)  
Michael Paul Lang,  
Murray Hills, N. J.  
Michael Wolfgang Lassel, Black Lick  
Daniel Edward Margulies,  
Valley Stream, N. Y.  
John Wilson McSkimming,  
Pittsburgh, Pa.  
Steven Gray Meisel, Columbus  
Kenneth John Mlicki, Columbus  
Michael Terence Regan, Reynoldsburg  
Douglas Claude Rhodes,  
Phillipsburg, N. J.  
Thomas George Rogers, Worthington  
Charles Tiffany St. Clair, IV,  
Columbus

#### Bachelor of Science in Landscape Architecture

Two candidates

Mark Edward Liedtke, Marysville  
John Warfield Simpson, Columbus

<sup>6</sup> Also Bachelor of Science in Industrial and  
Systems Engineering, College of Engineering  
<sup>7</sup> Also Bachelor of Science in Computer and  
Information Science, College of Engineering

## College of Law

Dean: L. Orin Slagle

### Juris Doctor

Eighteen candidates

Sally Barbara Anthony, Columbus  
B.S. (University of Oregon)

Marshall Alfred Bell, Columbus  
B.S., B.A.

Stephen Dennis Brandt, Columbus  
B.A. (Bowling Green State  
University)

Robert Donald Castor, Columbus  
B.A.

Rocky Alan Coss, Columbus  
B.A.

David Walter Cox, Xenia  
B.A. (Ohio Wesleyan University)

Martin Sheldon Frankel, Beachwood  
A.B. (Case Western Reserve  
University)

Harry Seymour Gerla, Northfield  
B.A. (Queens College);  
M.A. (University of Florida)

Thomas Murray Green, Kettering  
B.A. (Kenyon College)

Allen F. Howard, Detroit, Mich.  
B.A.B.A. (Wayne State University)

Stanley Kiszkiel, Dayton  
B.A. (Villanova University)

Mary Sherman Lycan, Columbus  
B.A. (Brown University)

Craig Philip Morton,  
Newark, Del.  
B.A. (Baldwin Wallace College)

John Alan O'Toole, Independence  
B.S. in Chem. Eng. (University  
of Notre Dame)

Douglas McDonald Sheffield,  
Columbus  
B.A. (Ohio Wesleyan University)

Frank Stone Smith, Dayton  
B.A.

Robert Martin Strapp, Columbus  
B.A.

Kurt Hugo Weiland, Dayton  
B.A. (Kent State University); M.A.

## College of Medicine

Dean: Henry G. Cramblett, M.D.

### Doctor of Medicine

Six candidates

Daniel Michael Beal, Brecksville  
B.A.

Bonita Borodkin Covel, Akron  
B.S.

Peter William Howison, Marion  
B.A. (Ohio Wesleyan University)

Joseph Arden Meacham, Pleasant City  
B.S.

Michael David Stephens,  
Cuyahoga Falls  
B.A. (College of Wooster)

Leigh Alan Thomas, Euclid  
B.A. (Denison University)

### School of Allied Medical Professions

#### Bachelor of Science in Allied Health Professions

Fourteen candidates

Kathleen Suzanne Boyd, Geneva  
Cathy Jene Fuller, Duncan Falls  
Marilyn Marks Gross, Youngstown  
Judith Claire Hicks, Columbus  
Jack David Holt, New Middletown  
Ellen Anne Decatur Miller, Columbus  
Gerald Newhouse, Columbus  
B.F.A.

Janet Charleen Osborne, St. Marys  
Michelle Ann Richert, Mt. Vernon  
Lisa Sheila Rose, Cincinnati  
James John Sielicki, Perrysburg  
Karen Haverstock Spector, Dayton  
Jacqueline Eve Sutliff, Maple Heights  
Cynthia Diane Whyde, Newark

#### Certificate of Nurse Anesthetist

Three candidates

Kenneth Rodger Altier, Ashtabula  
A.A. Nursing (Kent State  
University)

Danny Joseph Hall, Columbus  
B.A. (Marshall University)  
A.D. in Nursing (Sinclair  
Community College)

Rudy Anthony Prijatel, Columbus  
A.A.S. (Michael Owens Technical  
College)

#### Certificate of Post Baccalaureate Medical Technologist

One candidate

Mary Kathryn VanGundy, Lancaster  
B.S.

#### Certificate of Post Baccalaureate Physical Therapist

One candidate

Paul Henry Renner, Canton  
B.S. (University of Dayton)

### School of Nursing

#### Bachelor of Science in Nursing

Thirty-four candidates

Wendy Jo Berke, Palmerton, Pa.  
Sally Ann Boales, Northfield  
William Edward Bogden, Warren  
B.S. (Youngstown State  
University)

Elizabeth Jane Brough,  
West Millgrove

Marilyn Eileen Cunningham,  
Cincinnati

Constance Joan Flere, Massillon  
Patricia Ann Berardi Harris, Parma  
Teresa Lynn Hayes, Powell  
Patricia Ann Holland, Columbus  
Renee Frances Karich, Euclid  
Karen Marie Kish, Lorain  
Barbara Jean Lantz, Toledo

Randi Carolyn Logan, Columbus  
Wyreline Strozier Mays, Columbus

R.N. (Cleveland City Hospital)

Rebecca Jean Mitchell, Norton  
Valerie Ann Morris, Cleveland

Denise Arlene Morrison,  
Williamsport

Joyce Elaine Moser, Wharton

Nancy Kay Moser, Dalton  
Timothy Michael O'Neill, Columbus

Ellen Marie Riepenhoff, Columbus  
Kathleen Jane Rollyson, Ironton

Linda Lee Sentar, Chardon  
Carol Ann Simon, Kenton

Lillian June Stanley, Cleveland  
Patsy Ruth Strayhorn, Cincinnati

Sally Elizabeth Strong, Columbus  
Karla Ann Ulbrich, East Palestine

Sharon Lee Wallace, Russells Point  
Marsha Lee Webb, Cincinnati

Virginia Lou Williams, Columbus  
Sharon Sue Clarke Wills, Clarksburg

Linda Skuller Woltman, Columbus  
Karen Ann Zadanski, Mingo Junction

## Graduates With Honors

### Summa cum laude

Steven Michael Amundson,  
La Crosse, Wis.  
Annette Maria Battafarano,  
Youngstown  
Ann Mathews Bercaw, Lima  
Nancy Ann Birnbaum, East Liverpool  
John Arthur Bomhoff, Columbus  
Stephen Dennis Brandt, Columbus  
Andrea Bond Brien, Marion  
Thomas Michael Cavalli, Willowwick  
Dorothy Baird Campbell, Edison  
Neil Brandon Chivington, Marion  
John Russell Conley, Cleveland  
Donna Raye Curfman, Topeka, Kan.  
Melinda Zimmerman Dalton,  
Wakeman  
Martin Sheldon Frankel, Beachwood  
Harry Seymour Gerla, Northfield  
Jennifer Sally Hummell, Brice  
Stanley Kizkiel, Dayton  
Catherine Redmond Kurth, Columbus  
Jo Ann Miller, Chillicothe  
Cheryl Lynn Olesnanik, Columbus  
Kristine Sue Perry, Columbus  
Charles Wesley Powell, Akron  
Judith Ellen Rohrer, Defiance  
Brodie Glenroy Secrest, III,  
Cambridge  
Mary Lou Verba Strack, Westlake  
Stephen Spencer Tonnison, Columbus  
Margaret Lee Waker, Troy  
Rebecca Susan Weingart, Salem  
Theodore Michael Wolf, Groveport

### Summa cum laude and with Distinction in Political Science

Louann Kay Fogg, Lancaster  
Michael Ludwig Quintus, Dayton

### Summa cum laude and with Distinction in Spanish

Shari Joy Berman, Lynfield, Mass.

### Summa cum laude and with Distinction in Zoology

Kenneth Vern Cahill, Columbus

### Cum laude

Edward Everett Bailey,  
Spencerville

Francis Eugene Berger, Columbus  
Wendy Jo Berke, Palmerton, Pa.  
Henry Louis Bernstein, Columbus  
Nancy Anne Beyer, Taft, Tex.  
Mary Jackson Black, Mt. Vernon  
Barbara Faith Blatt, Cincinnati  
Kay Ellen Bryan, Portsmouth  
Stephen Alan Carver, Columbus  
Robert Donald Castor, Columbus  
Kurt G. Cline, Rockbridge  
Betty Novak Colosimo, Columbus  
David Walter Coss, Xenia  
Patricia Lynn Debitetto, Columbus  
Gerda Enid Dickey, Westerville  
Lynn Carson Dunkle, Circleville  
Alan Craig Duvall, Gahanna  
Rhonda Jill Felkey, Lima  
Thomas Murray Green, Kettering  
Lee Ann Hamilton, Cincinnati  
Laurie Ann Hedges, Prospect  
Nappy Stanton Hetzler, Columbus  
Jeffrey Tom Hodge, Dayton  
Laura Lee Hodsdon, Cleveland  
Jennifer Jamison Hoehn, Lima  
Gayle Anita Hoover, Sandusky  
Carley Jean Ingram, Jeromesville  
Douglas Richard Janson, Columbus  
Lucinda Rae Jeancola, Amherst  
Raymond Clifton Jones, Columbus  
Claudia Merisa Khourey, Canton  
Steven Mark Kiger, Bowling Green  
Denise Lee Kilgo, Barberton  
Patricia Elaine Koerner, Edgerton  
Cynthia Anne Kolic, Columbus  
Deborah Smith Koons, Columbus  
Paula Droz McCaw, Worthington  
Terry Lynn McClure, Marion  
Paul Kenji Metzger, Columbus  
Stephen Mihnovets, Parma  
Marilynn Olivia Miller, Lebanon  
Craig Philip Morton, Newark, Del.  
Michael Lawrence Mott, Parma  
Jill Ann Thompson Nerem, Columbus  
James Alan O'Toole, Independence  
Alan Richard Palmiter, Toledo  
Ann Hardisty Pruitt, Columbus  
Mark Russell Ramser, Jewell  
Lawrence Martin Ross,  
Amherst, N. Y.  
Efrain Santiago, Campbell  
Christine Agnes Schroeder, Ottawa  
James John Shechy, Jr., Medina  
Jean Underwood Sherer, Columbus  
Denise Lorraine Smith, Columbus  
Sally Elizabeth Strong, Columbus  
Philip Allan Voelker, Columbus  
Patricia Woolery Wolf, Logan

### Cum laude and with Distinction in Economics

Gregory Dale Converse, Middletown

### Cum laude and with Distinction in Medieval and Renaissance Studies

Christie Ann Durtschi, Columbus

### Cum laude and with Distinction in Psychology

Lois Jean Darmstadter,  
Lexington, Ky.

### With Distinction in Agricultural Economics

Jane Yoder Seger, Bellefontaine

### With Distinction in Chemistry

Douglas Eugene Bugner, Fostoria

### With Distinction in Forest Resource Management

Sally McKibben Arnold, Worthington

### With Distinction in Forest Science

Donald Ernest Howlett, Berea

### With Distinction in Geography

Marilyn Haines Bauer, Columbus

### With Distinction in Horticulture

Dean Merlin Daugherty, Lexington

### With Distinction in Microbiology

Marianne W. Kroninger, Pataskala

### With Distinction in Parks and Recreation Administration

Edwin Barker Folts, North Canton

### With Distinction in Spanish

Deanna DiSantis Reed, Columbus

### With Distinction in Wildlife Management

Kathryn June Kuhles, Columbus

Page 326 Blank

Page 327 Blank

Page 328 Blank



THE OHIO STATE UNIVERSITY  
OFFICIAL PROCEEDINGS OF THE  
ONE THOUSAND ONE HUNDRED AND THIRTEENTH MEETING  
OF THE BOARD OF TRUSTEES

Columbus, Ohio, January 9, 1976

The Board of Trustees met at its regular monthly meeting on Friday, January 9, 1976, at The Ohio State University Fawcett Center for Tomorrow, Columbus, Ohio, pursuant to adjournment.

Present: John H. Dunlap, Chairman, John L. Gushman, Howard D. Sirak, Patricia D. James, Chester Devenow, Warren J Smith, John D. Jacob, and Donald J. Hilliker.

\*

\*

\*

Minutes of the last meeting were approved.

\*

\*

\*

January 9, 1976 meeting, Board of Trustees

RESOLUTIONS IN MEMORIAM

President Enarson reported to the Board the deaths of Walter C. Burnham, Associate Professor Emeritus in the Academic Faculty of Accounting, Alfred Landé, Professor Emeritus in the Department of Physics; and Robert Dean Patton, Professor Emeritus in the Department of Economics. In accordance with the instructions of the Board of Trustees, copies of the following resolutions expressing on behalf of the University the sorrow and sympathy of the Board will be furnished the families of the deceased.

A. Walter C. Burnham

The Board of Trustees of The Ohio State University expresses its great sorrow upon the death on November 5, 1975, of Walter C. Burnham, Associate Professor Emeritus in the Academic Faculty of Accounting in the College of Administrative Science. Professor Burnham was retired on June 30, 1975, at the age of 70 after a 41-year teaching career at the University.

Chairman of the Accounting Internship Program at The Ohio State University for 25 years, Professor Burnham had hundreds of former students who are prominent in accounting and business circles in the state and in the nation. Teaching was deeply important to him, motivated by a desire to see students realize personal fulfillment and satisfaction from his courses.

A founding member in 1929 of the Omicron Chapter of Beta Alpha Psi, the national accounting scholastic and professional fraternity, he was honored several times during his career by the fraternity for his service to it. He was a member of the American Accounting Association and Beta Gamma Sigma, national scholastic honorary for students in Business Administration. In 1973, he received the Alpha Kappa Psi Award for over 25 years of service to college education. He co-authored a book, Audit Working Papers (1954), and a number of papers on accounting subjects.

Professor Burnham was also an officer or member of many accounting and civic organizations. He was a past president of both the Pickerington Board of Education and the Fairfield County Board of Education. He was treasurer of the Peace United Methodist Church from 1960 to 1970. A CPA, he was a member of the American Institute of Certified Public Accountants, and a former officer and member of the Ohio Society of Certified Public Accountants and the National Association of Cost Accountants.

On behalf of the University, the Board of Trustees expresses to the family its deepest sympathy in its loss. It was directed that this resolution be inscribed upon the minutes of the Board of Trustees and that a copy be tendered to the family as an expression of the Board's heartfelt sympathy.

January 9, 1976 meeting, Board of Trustees

RESOLUTIONS IN MEMORIAM (continued)

B. Alfred Landé

The Board of Trustees of The Ohio State University expresses its sorrow upon the death on October 30, 1975, of Alfred Landé, Professor Emeritus in the Department of Physics.

Born in Elberfeld, Germany, on December 13, 1888, Dr. Landé was educated at the Universities of Marburg and Gottingen and received his Ph. D. from the University of Munich in 1914. He held the position of Privat-docent at the University of Frankfort, and of Professor of Physics at the University of Tubingen. In 1929 and 1930-31 Dr. Landé held visiting appointments at The Ohio State University and in 1931 joined the faculty of the Department of Physics on which he served until his retirement as Professor Emeritus in 1959.

Working in the 1920's when the quantum theory of the atom was in its early stages of development, Dr. Landé introduced what is known as the "Landé g-factor" in order to describe coherently the anomalous Zeeman splitting of spectral lines in a magnetic field, and he developed a vector model of the atom in a form much as we know it today. Later in his career Dr. Landé turned his attention to the study of the foundations and structure of the quantum theory and, in particular, to an effort to reformulate the basic assumptions of the theory in such a way as to eliminate what he felt to be deep obscurities and inconsistencies in the so-called "Copenhagen interpretation." This subject occupied him to the last.

Dr. Landé's contributions to physics are represented by the more than 125 technical papers and books of which he was author or co-author. He will be remembered also by his colleagues and students for his charm and wit and humanity.

On behalf of the University community, the Board of Trustees expresses to the family of Alfred Landé its deepest sympathy. It was directed that this resolution be inscribed in the minutes of the Board of Trustees and that a copy be tendered to Mrs. Alfred Landé as a sincere expression of sympathy and respect.

C. Robert Dean Patton

The Board of Trustees of The Ohio State University expresses its sorrow at the death on November 13, 1975, of Robert Dean Patton, Professor Emeritus in the Department of Economics.

Dr. Patton was a native of Columbus and a graduate of Columbus East High School. He had three degrees from The Ohio State University--bachelor of science, master of arts, and doctor of philosophy. He also studied as a postgraduate fellow at Columbia University.

January 9, 1976 meeting, Board of Trustees

RESOLUTIONS IN MEMORIAM (continued)

C. Robert Dean Patton (continued)

From 1929 until his retirement in 1963, Dr. Patton served the University as a Professor in the Department of Economics. Prior to his retirement he also served for three years as the Assistant Dean of the Graduate School and Editor of the Journal of Higher Education. For over a quarter of a century every Ph.D. student in Economics, Business Administration, and Agricultural Economics studied the History of Economic Thought with Professor Patton. During most of those years every undergraduate student in the College of Commerce and Administration attended his freshman course in the Economic History of the United States. Ever the teacher, Dr. Patton also served many years as Chairman of the committee for the popular program, Columbus Town Meeting.

In recognition of his outstanding teaching, Dr. Patton was one of the first recipients of the annual Alumni Award for Distinguished Teaching, when that award was established in 1960.

Throughout his career Robert Patton epitomized those qualities of effective teaching, real scholarship, and useful service to students, colleagues, University and community that are the hallmark of a truly excellent academic person. He contributed immeasurably to maintaining and enhancing the quality and humanity of this institution. While no brief statement can adequately summarize the value of such a life, Robert Patton gave much to this University and merits its deepest respect, appreciation, and thanks for a life of constructive service.

On behalf of the University community, the Board of Trustees expresses to the family of Robert Dean Patton its deepest sympathy. It was directed that this resolution be inscribed in the minutes of the Board of Trustees and that a copy be tendered to Mrs. Robert Patton as a sincere expression of sympathy and respect.

\* \* \*

RESOLVED: That the Board of Trustees adopt the following resolutions:

I. GENERAL RECOMMENDATIONS

A. Establishment of Undergraduate Degree Program in Labor and Human Resources

WHEREAS on January 10, 1975, the Board of Trustees approved the establishment of an Academic Faculty in Labor and Human Resources in the College of Administrative Science; and

WHEREAS the faculty was authorized to develop undergraduate and graduate programs in the field of labor and human resources; and

January 9, 1976 meeting, Board of Trustees

I. GENERAL RECOMMENDATIONS (continued)

A. Establishment of Undergraduate Degree Program in Labor and Human Resources (continued)

WHEREAS the University Senate at its meeting November 8, 1975 approved a recommendation from the Council on Academic Affairs that the University establish an undergraduate program leading to the Bachelor of Science in Labor and Human Resources degree; and

WHEREAS this curriculum is designed to provide a common core of understanding of the fields as well as a specialization in one of three major areas: a) Human Resource Policy, b) The Labor Movement, and c) Manpower and Industrial Relations, with an enrollment of 25 to 30 majors estimated during the first year in which the undergraduate program is fully operational: Therefore be it

RESOLVED, That the proposal of the University Senate be adopted, and pursuant to Section 3333.04 of the Revised Code of Ohio, with the approval of the Board of Trustees, the proposal be forwarded to the Ohio Board of Regents for approval with the program to become operative upon approval by the Ohio Board of Regents.

Upon motion of Mr. Devenow, seconded by Dr. Jacob, the Board of Trustees adopted the foregoing resolution by unanimous roll call vote.

B. Reprinted Publication Entitled--Statutes Applying to the University, Bylaws of the Board of Trustees, and Rules of the University Faculty

WHEREAS the publication entitled, Statutes Applying to the University, Bylaws of the Board of Trustees, and Rules of the University Faculty, has been reprinted to conform to the changes which have been approved by the Board of Trustees since the last publication in March, 1974; and

WHEREAS the statutes of the Ohio Revised Code pertaining to The Ohio State University and printed in this publication have been revised to include those actions adopted by the 111th General Assembly: Therefore be it

RESOLVED, That this publication be accepted in its reprinted form as the official publication of the Board of Trustees.

Upon motion of Mr. Devenow, seconded by Dr. Jacob, the Board of Trustees adopted the foregoing resolution by unanimous roll call vote.

C. Amendment of Article VIII, Section 7, of the Bylaws of the Board of Trustees

WHEREAS upon the recommendation of the President's Staff, Article VIII, Section 7, of the Bylaws of the Board of Trustees be amended to read as follows:

January 9, 1976 meeting, Board of Trustees

I. GENERAL RECOMMENDATIONS (continued)

C. Amendment of Article VIII, Section 7, of the Bylaws of the Board of Trustees (continued)

Article VIII, Section 7. Naming of University Buildings.

University buildings and structures shall be named by the Board of Trustees following recommendations submitted by the President and the appropriate faculty or other group. Buildings and structures shall not be named for any person who is an officer or employee of the University or the State of Ohio, but may be named for a person who has been retired or has otherwise left such a position for a minimum of three years.

RESOLVED, That the recommendation to amend Article VIII, Section 7, Bylaws of the Board of Trustees, be approved.

Upon motion of Mr. Devenow, seconded by Dr. Jacob, the Board of Trustees adopted the foregoing resolution by unanimous roll call vote.

D. Establishment of The Warner M. and Lora Kays Pomerene Professorship in Medicine

WHEREAS the Board of Trustees on January 14, 1965, approved a set of guidelines for the establishment of "Named Professorships" which was subsequently modified March 3, 1972, and renamed "Endowed Professorships," and

WHEREAS by a gift to The Ohio State University Development Fund from Mr. Warner M. Pomerene (B.A. '15, LL.B. '17), and Mrs. Lora Kays Pomerene (B.S. '16), of Coshocton, Ohio, it is desired that an "Endowed Professorship" be established; and

WHEREAS all gifts are to be invested in the University's Permanent Endowment Fund, under the rules and regulations adopted by the Board of Trustees of The Ohio State University, with the right to invest and reinvest as occasion dictates; and

WHEREAS the annual income is to be used for the endowment of a Professorship in the College of Medicine, selected by the Dean of the College of Medicine with consideration given education and training of physicians in the field of family medicine; and

WHEREAS if the need for this faculty position ceases to exist or so diminishes as to provide unused income, then the income may be used for any purpose whatsoever as determined by the Board of Trustees with preference being given to recommendations from the appropriate administrative official of the University who is then directly responsible for family medicine: Therefore be it

January 9, 1976 meeting, Board of Trustees

I. GENERAL RECOMMENDATIONS (continued)

D. Establishment of The Warner M. and Lora Kays Pomerene Professorship in Medicine (continued)

RESOLVED, That The Warner M. and Lora Kays Pomerene Professorship in Medicine be established.

Upon motion of Mr. Devenow, seconded by Dr. Jacob, the Board of Trustees adopted the foregoing resolution by unanimous roll call vote.

E. Reimbursement for Travel

WHEREAS the 111th General Assembly in Substitute House Bill 155 assigned the responsibility for developing standardized reimbursement policies for all state-supported and state-assisted institutions of higher education for both in-state and out-of-state official travel by officers, staff and students of said universities to the Ohio Board of Regents; and

WHEREAS the aforesaid House Bill 155 also requires that the Office of Budget and Management establish guidelines for the reimbursement of official travel; and

WHEREAS the Office of Budget and Management held a public hearing on December 3, 1975, and subsequently established levels for reimbursement, including meals, lodging and mileage which costs have increased due to inflation: Therefore be it

RESOLVED, That the Board of Trustees adopt the travel regulations on file in the Office of the Board of Trustees which incorporate the reimbursement levels established by the Office of Budget and Management as a policy of the University and that said regulations be included in the University's Operating Manual, effective February 1, 1976.

Upon motion of Mr. Devenow, seconded by Dr. Jacob, the Board of Trustees adopted the foregoing resolution by unanimous roll call vote.

F. Notice of Meetings

WHEREAS under Section 121.22(F) of the Ohio Revised Code as amended, effective November 28, 1975, this Board is required to adopt a rule pertaining to the official notice of all Board meetings: Therefore be it

RESOLVED, That the following rule be adopted by this Board:

1. Any person may determine the time and place of all regularly scheduled meetings and time, place, and purpose of all special meetings by:
  - a. Writing to the following address: Board of Trustees,  
The Ohio State University, 190 North Oval Mall,  
Columbus, Ohio 43210

January 9, 1976 meeting, Board of Trustees

I. GENERAL RECOMMENDATIONS (continued)

F. Notice of Meetings (continued)

- b. Calling the following telephone number during normal business hours: 614 - 422-6359
  - c. Consulting the Board of Trustees' bulletin board located on the first floor of the Administration Building.
2. Any representative of the news media may obtain notice of all special meetings by requesting in writing that such notice be provided. A request for such notification shall be addressed to: Secretary, Board of Trustees, The Ohio State University, 190 North Oval Mall, Columbus, Ohio 43210.

The request shall provide the name of the individual media representative to be contacted, his mailing address and a maximum of two telephone numbers where he can be reached. The Secretary of the Board shall maintain a list of all representatives of the news media who have requested notice of special meetings pursuant to this section.

In the event of a special meeting not of an emergency nature, the Board Secretary shall notify all media representatives on the list of such meeting by doing at least one of the following:

- a. Sending written notice, which must be mailed no later than four calendar days prior to the day of the special meeting;
- b. Notifying such representatives by telephone no later than twenty-four hours prior to the special meeting; such telephone notice shall be complete if a message has been left for the representative, or if, after reasonable effort the Board Secretary has been unable to provide such telephone notice;
- c. Informing such representative personally no later than twenty-four hours prior to the special meeting.

In the event of a special meeting of an emergency nature, the Board Secretary shall notify all media representatives on the list of such meeting by providing either the notice described in paragraph 2(b) supra, or that described in paragraph 2(c) supra. In such event, however, the notice need not be given twenty-four hours prior to the meeting, but shall be given as soon as possible.



January 9, 1976 meeting, Board of Trustees

I. GENERAL RECOMMENDATIONS (continued)

F. Notice of Meeting (continued)

In giving the notices required by section (3) the Board Secretary may rely on assistance provided by any member of The Ohio State University staff and any such notice is complete if given by such member in the manner provided in this section (3).

3. The Board Secretary shall maintain a list of all persons who have requested, in writing, notice of all meetings of the Board of Trustees at which specific subject matters designated by such persons are scheduled to be discussed. Any person may have his name placed and maintained on such a list as long as he provides to the Secretary an adequate supply of legal size self-addressed envelopes. The Board Secretary shall, no later than seven days prior to each meeting, send by first-class mail an agenda of the meeting to such persons.

Upon motion of Mr. Devenow, seconded by Dr. Jacob, the Board of Trustees adopted the foregoing resolution by unanimous roll call vote.

\*

\*

\*

II. PERSONNEL ACTIONS

RESOLVED, That the personnel actions as recorded in the "Salary Roll" of the University since the November 7, 1975 meeting of the Board, including the following Appointments, Leaves of Absence Without Salary, and Emeritus Titles be approved.

Upon motion of Mrs. James, seconded by Mr. Hilliker, the Board of Trustees adopted the foregoing resolution by unanimous roll call vote, and the Secretary was instructed to file these changes in the "Salary Roll," an official document of the University.

A. Appointments

A. J. R. VanBuren, Assistant Vice President for Business Management - Office of Business and Administration, effective January 1, 1976, at a salary of \$30,168.00 per annum.

Lois E. Dickey from Professor and Acting Chairperson, Department of Textiles and Clothing in the School of Home Economics, to Professor and Chairperson, Department of Textiles and Clothing in the School of Home Economics, effective April 1, 1976, at a salary of \$27,648.00 per annum.

B. Leaves of Absence Without Salary

Sia Kow Wong, Associate Professor, Department of Mathematics, effective January 1, 1976 through March 31, 1976, to work on Humboldt Stifling Fellowship.

January 9, 1976 meeting, Board of Trustees

II. PERSONNEL ACTIONS (continued)

B. Leaves of Absence Without Salary (continued)

James Morganstern, Assistant Professor, Division of History of Art, effective April 1, 1976 through September 30, 1976, to conduct research at the Dumbarton Oaks Library, Washington, D. C.

Deanna M. Robinson, Assistant Professor, Department of Communication, effective October 1, 1976 through September 30, 1977, for personal reasons.

Mary F. Martin, Instructor, Cooperative Extension Service, effective January 1, 1976 through January 31, 1976, for personal reasons.

Melanie Moersch Pariser, Instructor, School of Allied Medical Professions, effective December 1, 1975 through December 31, 1975, for personal reasons.

Alma M. Saddam, Instructor, Cooperative Extension Service, effective January 1, 1976 through March 16, 1976, to engage in a program of professional improvement at The Ohio State University.

Janis A. Thompson, Instructor, Cooperative Extension Service, effective February 20, 1976 through February 1, 1977, to engage in a program of professional improvement at the University of Wisconsin-Madison.

C. Emeritus Titles

Frank W. Fisk, Department of Entomology, with the title Professor Emeritus, effective January 1, 1976.

Mars G. Fontana, Department of Metallurgical Engineering, with the title Professor Emeritus, effective January 1, 1976.

Harold F. Groves, Department of Veterinary Pathobiology, with the title Professor Emeritus, effective December 1, 1975.

Frederick T. Grimm, Cooperative Extension Service, with the title Associate Professor Emeritus, effective November 1, 1975.

Donald G. Young, Sr., Cooperative Extension Service, with the title Assistant Professor Emeritus, effective August 1, 1975.

President Enarson announced that Richard H. Zimmerman, Executive Assistant to the President and Director of Budget and Resources Planning, will return to full-time teaching in the Department of Mechanical Engineering in September.

\*

\*

\*

January 9, 1976 meeting, Board of Trustees

III. REPORT OF RESEARCH CONTRACTS, GRANTS, GIFTS, AND AGREEMENTS

WHEREAS the University solicits and receives monies from governmental, industrial and other agencies essential to the support of research, instructional activities and service; and

WHEREAS gifts and grants are received through the Office of Business and Administration, The Ohio State University Research Foundation, the Engineering Experiment Station, and The Ohio State University Development Fund: Therefore be it

RESOLVED, That the monies received during October and November 1975 and so reported on the following pages be accepted.

Upon motion of Mr. Gushman, seconded by Mrs. James, the research agreements between The Ohio State University and The Ohio State University Research Foundation for the contracts and grants reported herein, and the acceptance of the report from the Office of Business and Administration and The Ohio State University Development Fund, including the establishment of named funds, was approved by unanimous roll call vote.

January 9, 1976 meeting, Board of Trustees

III. REPORT OF RESEARCH CONTRACTS, GRANTS, GIFTS, AND AGREEMENTS  
(continued)

SUMMARY FOR OCTOBER 1975

	No. of Projects	Support Level
Office of Business and Administration	11	\$ 76,551.00
The Ohio State University Research Foundation	24	1,660,355.00
The Engineering Experiment Station	2	<u>8,000.00</u>
		\$1,744,906.00
The Ohio State University Development Fund	3,311 Donors	913,673.18

SUMMARY FOR NOVEMBER 1975

	No. of Projects	Support Level
Office of Business and Administration	11	\$ 497,552.70
The Ohio State University Research Foundation	25	1,132,758.00
The Engineering Experiment Station	2	<u>89,487.00</u>
		\$1,719,797.70
The Ohio State University Development Fund	3,839 Donors	577,251.65

January 9, 1976 meeting, Board of Trustees

III. REPORT OF RESEARCH CONTRACTS, GRANTS, GIFTS, AND AGREEMENTS  
(continued)

A. Office of Business and Administration

1. Federal Contracts/Grants

- a. \$3,000.00 from Department of Health, Education, and Welfare, Public Health Service, Division of Cancer Research Resources and Centers, National Cancer Institute, Bethesda, Maryland, for Research Fellowship Award, under the direction of Department of Veterinary Pathobiology, for period September 16, 1975 through September 15, 1976. (Fellowship No. 5 F22 CA00549-02)
- b. \$3,000.00 from Department of Health, Education, and Welfare, Public Health Service, Division of Extramural Affairs, National Heart and Lung Institute, Bethesda, Maryland, for Research Fellowship Award, under the direction of Department of Pharmacology, for period August 21, 1975 through August 20, 1976. (Fellowship No. 1 F22 HL02630-01)
- c. \$1,750.00 from Small Business Administration, Washington, D. C., for management counseling and technical assistance to small business concerns, under the direction of Mansfield Regional Campus, for period August 25, 1975 through June 30, 1976. (Contract No. SBA-0163-PMA-76)

TOTAL - Federal Contracts/Grants \$7,750.00

2. State of Ohio Contracts/Grants

- a. \$10,449.00 from State of Ohio, Department of Education, Columbus, Ohio, for a study of paraprofessionals in Ohio Adult Basic Educational Programs: Their Instructional Functions, Learning Needs and Patterns of Team Formation with Teachers, under the direction of Academic Faculty of Vocational-Technical Education, for period August 14, 1975 through June 30, 1976.
- b. \$548.00 from State of Ohio, Department of Mental Health and Mental Retardation, Columbus, Ohio, for project entitled, "Determinants of Spouses' Tendencies to Perceive Behavior as Supportive During Marital Conflict and the Relation Between Perceptual Styles and Marital Satisfaction," under the direction of Department of Psychology, for period October 19, 1975 through June 30, 1976.

TOTAL - State of Ohio Contracts/Grants \$10,997.00

January 9, 1976 meeting, Board of Trustees

III. REPORT OF RESEARCH CONTRACTS, GRANTS, GIFTS, AND AGREEMENTS  
(continued)

A. Office of Business and Administration (continued)

3. Industrial and Other Contracts/Grants

- a. \$38,500.00 from the Board of Regents of the University of Wisconsin, Madison, Wisconsin, for Comprehensive Career Guidance, Counseling, Placement, and Follow-Through System for Rural (Small) Schools, under the direction of Center for Vocational Education, for period July 1, 1975 through December 31, 1976. (Contract No. 774E421)
- b. \$7,200.00 from Buckeye Association of School Administrators, Westerville, Ohio, for a study to research, develop, and write an operational procedures manual for Ohio school superintendents, under the direction of Academic Faculty of Educational Administration, for period September 15, 1975 through May 31, 1976.
- c. \$3,879.00 from State of Vermont, Department of Education, Vocational-Technical Education, Montpelier, Vermont, for Workshop for Local Directors of Vocational Education on Program Evaluation, under the direction of Center for Vocational Education, for period September 2, 1975 through June 30, 1976.
- d. \$3,675.00 from Cuyahoga Heights Board of Education, Cleveland, Ohio, for a study of facilities at Cuyahoga Heights Elementary School, under the direction of Academic Faculty of Educational Administration, for period 90 days from starting date.
- e. \$3,550.00 from World Health Organization, Geneva, Switzerland, for support of WHO Collaborating Centre on Biological Control of Vectors of Human Disease, under the direction of Department of Entomology, for period January 1, 1975 through December 31, 1975.
- f. \$1,000.00 from the Franklin County Prosecuting Attorney's Office, Diversion Unit Grant, Columbus, Ohio, for establishing a scholarship fund for students participating in the Diversion Program, under the direction of School of Social Work, for period September 1, 1975 through August 31, 1976.

TOTAL - Industrial and Other Contracts/Grants \$57,804.00

January 9, 1976 meeting, Board of Trustees

III. REPORT OF RESEARCH CONTRACTS, GRANTS, GIFTS, AND AGREEMENTS

(continued)

B. The Ohio State University Research Foundation

1. Federal Research Contracts/Grants

- a. \$523,860.00 from Department of Health, Education, and Welfare, Public Health Service, National Institutes of Health, Division of Research Resources, Bethesda, Maryland, for General Clinical Research Center - 10 Beds, under the direction of Department of Medicine, for period October 1, 1975 through September 30, 1976. (Project 1196-2R and 3R - Ext. #14 and #15)
- b. \$471,239.00 from Department of Health, Education, and Welfare, Public Health Service, National Institutes of Health, National Institute of Neurological and Communicative Disorders and Stroke, Bethesda, Maryland, for Acute Spinal Cord Injury Research Center, under the direction of Department of Surgery, for period September 1, 1975 through August 31, 1976. (Project 3358-A4 - Ext. #3)
- c. \$70,000.00 from National Science Foundation, Washington, D. C., for The Paleoclimate of the Quelccaya Ice Cap, Peru, and Its Relationship to Paleoclimate in High Latitudes, under the direction of Institute of Polar Studies, for period October 1, 1975 through September 30, 1976. (Project 4324-A1 - New)
- d. \$65,564.00 from Department of Health, Education, and Welfare, Public Health Service, National Institutes of Health, National Cancer Institute, Bethesda, Maryland, for Lymphoid Leukemia Immune RNA Therapy, under the direction of Department of Microbiology, for period September 1, 1975 through August 31, 1976. (Project 3538-A4 - Ext. #3)
- e. \$65,000.00 from National Science Foundation, Washington, D. C., for Liquid Helium at Low Temperatures, under the direction of Department of Physics, for period October 1, 1975 through September 30, 1976. (Project 4315-A1 - New)
- f. \$55,600.00 from National Science Foundation, Washington, D. C., for Real-Time Animation/Graphics as a Tool for Research, under the direction of Division of Art, for period November 1, 1973 through October 31, 1976. (Project 3859-A1 - NSF letter dated September 11, 1975)
- g. \$51,614.00 from Department of the Air Force, Air Force Office of Scientific Research, Washington, D. C., for Development of High Voltage Electron Beam Diagnostic System for High Density Gas Dynamic Lasers, under the direction of Department of Aeronautical and Astronautical Engineering, for period October 1, 1975 through March 31, 1976. (Project 3670-B1 - Mod. #AFOSR-73-2537E)

January 9, 1976 meeting, Board of Trustees

III. REPORT OF RESEARCH CONTRACTS, GRANTS, GIFTS, AND AGREEMENTS  
(continued)

B. The Ohio State University Research Foundation (continued)

1. Federal Research Contracts/Grants (continued)

- h. \$46,772.00 from Department of Health, Education, and Welfare, Public Health Service, National Institutes of Health, National Cancer Institute, Bethesda, Maryland, for Therapy of Patients with Brain Tumors, under the direction of Department of Surgery, for period November 1, 1975 through October 31, 1976. (Project 4327-A1 - New)
- i. \$42,100.00 from National Science Foundation, Washington, D. C., for Spectroelectrochemistry and Related Electron Transfer Studies, under the direction of Department of Chemistry, for period October 1, 1973 through September 30, 1976. (Project 3817-A1 - NSF letter dated September 25, 1975)
- j. \$36,260.00 from Department of Health, Education, and Welfare, Public Health Service, National Institutes of Health, National Cancer Institute, Bethesda, Maryland, for Aberrant Gene Expression During Chemotherapy, under the direction of Department of Physiological Chemistry, for period October 1, 1975 through September 30, 1976. (Project 3546-A4 - Ext. #3)
- k. \$35,000.00 from U. S. Nuclear Regulatory Commission, Washington, D. C., for Steady and Transient Natural Convection in Enclosed Fluid Layers with Volumetric Energy Sources, under the direction of Department of Mechanical Engineering, for period July 1, 1975 through June 30, 1976. (Project 4230-A1 - New)
- l. \$30,090.00 from Department of the Army, U. S. Army Research Office, Research Triangle Park, North Carolina, for Electrically Small Antennas, under the direction of ElectroScience Laboratory, Department of Electrical Engineering, for period October 15, 1975 through October 14, 1978. (Project 4311-A1 - New)
- m. \$26,000.00 from National Science Foundation, Washington, D. C., for Superfluid Dynamics, under the direction of Department of Physics, for period October 1, 1975 through September 30, 1976. (Project 4314-A1 - New)
- n. \$25,400.00 from National Science Foundation, Washington, D. C., for Diffusion Induced Stresses and Plastic Deformation, under the direction of Department of Metallurgical Engineering, for period May 15, 1973 through October 31, 1976. (Project 3678-A1 - NSF letter dated October 23, 1975)



III. REPORT OF RESEARCH CONTRACTS, GRANTS, GIFTS, AND AGREEMENTS  
(continued)

B. The Ohio State University Research Foundation (continued)

1. Federal Research Contracts/Grants (continued)

- o. \$25,000.00 from National Aeronautics and Space Administration, Ames Research Center, Moffett Field, California, for Environmental and Genetic Effects on Gravity Receptors, under the direction of Department of Otolaryngology, for period September 1, 1973 through October 31, 1976. (Project 3799-A1 - Sup. #2)
- p. \$14,158.00 from U. S. Energy Research and Development Administration, Argonne, Illinois, for Cycling of C1-36 Labeled DDT in Natural Systems, under the direction of Department of Zoology. (Project 1794-J - Mod. #7-3)
- q. \$9,600.00 from Department of Health, Education, and Welfare, Public Health Service, National Institutes of Health, National Heart and Lung Institute, Bethesda, Maryland, for Wall Shear Stresses in Coronary Vessels, under the direction of Department of Aeronautical and Astronautical Engineering, for period October 1, 1974 through December 31, 1975. (Project 3797-B2 - Sup. #1)
- r. \$3,500.00 from U. S. Department of Interior, Fish and Wildlife Service, Bureau of Sport Fish and Wildlife, Washington, D. C., for Evaluation of the Effects of Stream Channelization on Warm-Water Fish Populations, under the direction of Department of Zoology. (Project 3695-A1 - Amend. #4)
- s. \$2,800.00 from U. S. Civil Service Commission, Washington, D. C., for Developing Contract Work Specifications, under the direction of Division of Continuing Education, College of Administrative Science, for period July 1, 1975 through November 21, 1975. (Project 4033-D2 and E2 - Mod. #5 and #3)

TOTAL - Federal Research Contracts/Grants \$1,599,557.00

2. State of Ohio Research Contracts/Grants

- a. \$24,301.00 from Ohio Bureau of Employment Services, Columbus, Ohio, for Study of the Financing of the Ohio Unemployment Compensation Law, under the direction of Academic Faculty of Labor and Human Resources, for period September 1, 1975 through August 31, 1976. (Project 4298-A1 - New)

January 9, 1976 meeting, Board of Trustees

III. REPORT OF RESEARCH CONTRACTS, GRANTS, GIFTS, AND AGREEMENTS  
(continued)

B. The Ohio State University Research Foundation (continued)

2. State of Ohio Research Contracts/Grants (continued)

- b. \$13,500.00 from State of Ohio, Ohio Department of Health, Columbus, Ohio, for Care of the High-Risk Mother and Infant, under the direction of Department of Pediatrics, for period July 1, 1975 through June 30, 1976. (Project 4316-A1 - New)

TOTAL - State of Ohio Research Contracts/Grants \$37,801.00

3. Industrial, Private, and Other Non-Federal Research Contracts/Grants

- a. \$14,000.00 from Pierce Chemical Company, Rockford, Illinois, for Immobilization of Enzymes, under the direction of Department of Biochemistry, for period September 1, 1975 through August 31, 1976. (Project 4322-A1 - New)
- b. \$7,497.00 from American Heart Association, Central Ohio Heart Chapter, Columbus, Ohio, for Pathogenesis and Diagnosis of Myocarditis Due to Toxoplasma Gondii, under the direction of Department of Veterinary Pathobiology, for period October 1, 1975 through September 30, 1976. (Project 4325-A1 - New)
- c. \$1,500.00 from The Babcock and Wilcox Company, Alliance, Ohio, for Calculations of the Spectral Transmittance of Various Gases at 400° F., under the direction of ElectroScience Laboratory, Department of Electrical Engineering, for period October 8, 1975 through November 8, 1975. (Project 4321-A1 - New)

TOTAL - Industrial, Private, and Other Non-Federal  
Research Contracts/Grants \$22,997.00

C. The Engineering Experiment Station

1. Industrial and Other Research Contracts

- a. \$6,000.00 from Dow Chemical Company, Midland, Michigan, for Field Validation of Four Single Residential Housing Units for Energy Conservation Studies, under the direction of Department of Mechanical Engineering, for period September 26, 1975 through November 5, 1975. (EES 480, Ext. #1)
- b. \$2,000.00 from Gordian Associates, Incorporated, New York, New York, for Thermodynamic Simulations of Residential Heating Systems, under the direction of Department of Mechanical Engineering, for period June 13, 1975 through September 15, 1975. (EES 516, Ext. #1)

TOTAL - Industrial and Other Research Contracts \$8,000.00

III. REPORT OF RESEARCH CONTRACTS, GRANTS, GIFTS, AND AGREEMENTS  
(continued)

D. The Ohio State University Development Fund

1. Gifts of \$5,000 or More

- a. \$500,000.00 from Estate of Frederick E. Jones, Columbus, Ohio, for The Karl P. Klassen Chair of Thoracic Surgery.
- b. \$51,492.14 from Louise Orr Scott Foundation, Columbus, Ohio--\$38,614.11 for scholarships in the College of Medicine and \$12,878.03 for scholarships in the College of Pharmacy.
- c. \$45,301.51 from Consolidated Business Services, Inc., Columbus, Ohio, for the Department of Medicine General Fund.
- d. \$25,500.00 from The General Electric Foundation, Bridgeport, Connecticut--\$15,000.00 for the Affirmative Action Program in Engineering; \$7,500.00 for a new project to support a graduate grant in Metallurgical Engineering; and \$3,000.00 for the Department of Industrial and Systems Engineering Manufacturing Processes Program.
- e. \$18,425.00 from The John A. Hartford Foundation, Inc., New York, New York, for research in pharmacologic control of portal hypertension.
- f. \$10,000.00 from Estate of Karl Schwartzwalder, Flint, Michigan, for a new fund to be used by the Chairman of the Department of Ceramic Engineering.
- g. \$10,000.00 from Shell Companies Foundation, Houston, Texas--\$5,000.00 for their fund in Metallurgical Engineering and \$5,000.00 for their fund in Chemical Engineering.
- h. \$9,525.00 from General Motors Corporation, Detroit, Michigan, for their named scholarship fund.
- i. \$9,000.00 from Elano Corporation (given in the name of Ervin J. Nutter), Xenia, Ohio, for a purpose to be designated at a later date.
- j. \$6,500.00 from Ciba-Geigy Corporation, Summit, New Jersey, for renal disease research.
- k. \$6,424.00 from Estate of Melvin E. Moffitt, San Antonio, Texas, for an unrestricted named memorial fund.
- l. \$6,401.50 from The Refractories Institute, Pittsburgh, Pennsylvania, for the Refractories Institute Research Fund.

III. REPORT OF RESEARCH CONTRACTS, GRANTS, GIFTS, AND AGREEMENTS  
(continued)

D. The Ohio State University Development Fund (continued)

1. Gifts of \$5,000 or More (continued)

- m. \$6,000.00 from Mr. and Mrs. Ugo Quarantelli, La Spezia, Italy, for a Disaster Research Center Fund.
- n. \$5,827.50 from Mr. and Mrs. Ralph W. Kurtz, Tampa, Florida--\$2,913.75 for the Helen C. Kurtz Chair in Radiology and \$2,913.75 for the Ralph W. Kurtz Chair in Endocrinology.
- o. \$5,500.00 from National Machinery Foundation, Inc., Tiffin, Ohio, for their fund in Mechanical Engineering.
- p. \$5,000.00 from George F. Lonz Foundation, Middle Bass, Ohio, for support of the Department of Horticulture's program in enology and viticulture.

2. Establishment of Named Fund

- a. \$2,000.00 from Dr. Frederick W. Hebbard for the establishment of The Frederick A. and Betty L. Hebbard Memorial Fund.

The Frederick A. and Betty L. Hebbard Memorial Fund

The Frederick A. and Betty L. Hebbard Memorial Fund was established January 9, 1976, by the Board of Trustees of The Ohio State University with gifts to The Ohio State University Development Fund from Dr. Frederick W. Hebbard, Columbus, Ohio, in memory of his parents, Frederick A. and Betty L. Hebbard.

All gifts are to be invested in the University's Permanent Endowment Fund under the rules and regulations adopted by the Board of Trustees of The Ohio State University, with the right to invest and reinvest as occasion dictates.

The annual income is to be used for any purpose that would lead to significant improvements in the excellence in the College of Optometry and its programs of education and research as designated by the Dean of the College of Optometry.

January 9, 1976 meeting, Board of Trustees

III. REPORT OF RESEARCH CONTRACTS, GRANTS, GIFTS, AND AGREEMENTS  
(continued)

E. Office of Business and Administration

1. Federal Contracts/Grants

- a. \$17,582.00 from Department of Health, Education, and Welfare, Office of Education, Grant and Procurement Management Division, Washington, D. C., for Fulbright-Hays Faculty Research Abroad Program, under the direction of International Programs, for period June 15, 1975 through June 15, 1976. (Grant No. G0075002059)
- b. \$4,739.00 from Department of the Interior, Bureau of Indian Affairs, Sacramento, California, for designing and installing a curriculum delivery strategy to fit the needs of native American students at Madera County Training Center, under the direction of Center for Vocational Education, for period July 15, 1975 through April 30, 1976. (Contract No. J50C14202989, Modification No. 3)

TOTAL - Federal Contracts/Grants \$22,321.00

2. State of Ohio Contracts/Grants

- a. \$8,551.00 from Ohio Department of Health, Columbus, Ohio, for Care of Sick and Injured in Emergency Departments, under the direction of School of Nursing, for period October 1, 1975 through January 31, 1976. (Project No. 676)
- b. \$2,430.00 from Ohio Real Estate Commission, Columbus, Ohio, for revisions of sections of the instructors' manual entitled, Ohio Real Estate Law, under the direction of Academic Faculty of Finance, for period November 1, 1975 through January 7, 1976.

TOTAL - State of Ohio Contracts/Grants \$10,981.00

3. Industrial and Other Contracts/Grants

- a. \$392,164.00 from The Midwest Universities Consortium for International Activities, Inc., Champaign, Illinois, for service in connection with the United Nations Development Programme in Somalia for the project entitled, "Strengthening of the Central Agricultural Research Station and Training Centres," under the direction of College of Agriculture and Home Economics, for period of two years. (Contract No. DP/SOM/72/014-1/AGOA)

January 9, 1976 meeting, Board of Trustees

III. REPORT OF RESEARCH CONTRACTS, GRANTS, GIFTS, AND AGREEMENTS  
(continued)

E. Office of Business and Administration (continued)

3. Industrial and Other Contracts/Grants (continued)

- b. \$39,995.00 from Massachusetts Department of Correction, Boston, Massachusetts, for an Evaluation Planning Research Project in Vocational Education for the Massachusetts Department of Correction, under the direction of Center for Vocational Education, for period October 30, 1975 through April 15, 1976.
- c. \$12,498.50 from Licking Economics Action Development Study, Newark, Ohio, for the Adult Personal Development Program, under the direction of Newark Regional Campus, for period December 2, 1975 through March 31, 1976.
- d. \$7,300.00 from Scioto-Darby City School District, Hilliard, Ohio, for conducting a comprehensive educational facilities study of the school system, under the direction of Academic Faculty of Educational Administration, for period November 11, 1975 through February 11, 1976.
- e. \$6,620.20 from The Appalachian Regional Commission, Washington, D. C., for a conference on Health Teams in Rural Health Care, under the direction of Department of Preventive Medicine, for period July 24, 1975 through October 21, 1975. (ARC Contract No. 76-1-CO-4440-76-I-202-0718)
- f. \$3,673.00 from Council of Chief State School Officers, Office of Special Projects, Washington, D. C., for Strengthening State Leadership in Career Education: Evaluation Assistance for the Council of Chief State School Officers, under the direction of Center for Vocational Education, for period October 1, 1975 through June 30, 1976.
- g. \$2,000.00 from Midwest Universities Consortium for International Activities, Inc., Michigan State University, East Lansing, Michigan, for support for a planning session for long and short-term personnel for the Somalia Project, under the direction of College of Agriculture and Home Economics, for period October 23, 1975 through April 30, 1976.

TOTAL - Industrial and Other Contracts/Grants \$464,250.70

January 9, 1976 meeting, Board of Trustees

III. REPORT OF RESEARCH CONTRACTS, GRANTS, GIFTS, AND AGREEMENTS  
(continued)

F. The Ohio State University Research Foundation

1. Federal Research Contracts/Grants

- a. \$200,000.00 from Department of the Air Force, Rome Air Development Center, Griffiss Air Force Base, New York, for Laser Atmospheric Absorption Studies, under the direction of ElectroScience Laboratory, Department of Electrical Engineering, for period July 1, 1975 through September 30, 1977. (Project 4232-A1 & B1 - New)
- b. \$152,930.00 from U. S. Department of Transportation, Federal Highway Administration, Washington, D. C., for Fundamental Studies in Automatic Longitudinal Control of Vehicles, under the direction of Department of Electrical Engineering, for period July 1, 1975 through December 31, 1976. (Project 4302-A1 - New)
- c. \$114,000.00 from National Aeronautics and Space Administration, Washington, D. C., for Research in Support of Earth and Ocean Physics Applications Program, under the direction of Department of Geodetic Science, for period October 1, 1973 through September 30, 1977. (Project 3820-A1 - Sup. #1)
- d. \$99,800.00 from National Science Foundation, Washington, D. C., for Performance Measurement Methodologies for the Design and Analysis of Information Systems, under the direction of Department of Computer and Information Science, for period November 1, 1975 through April 30, 1977. (Project 4328-A1 - New)
- e. \$74,998.00 from National Aeronautics and Space Administration, Langley Research Center, Hampton, Virginia, for Avionics Antenna Research, under the direction of ElectroScience Laboratory, Department of Electrical Engineering, for period September 1, 1969 through November 14, 1976. (Project 2902 - Sup. #8)
- f. \$71,046.00 from Department of Health, Education, and Welfare, Public Health Service, National Institutes of Health, National Eye Institute, Bethesda, Maryland, for Development Study of Congenital Glaucoma, under the direction of Department of Veterinary Clinical Sciences, for period November 1, 1975 through October 31, 1976. (Project 3830-A3 - Ext. #2)
- g. \$60,000.00 from National Aeronautics and Space Administration, Goddard Space Flight Center, Greenbelt, Maryland, for OSU Participation in the Communication Technology Satellite Communications Link Characterization Experiment, under the direction of ElectroScience Laboratory, Department of Electrical Engineering, for period September 2, 1975 through September 1, 1976. (Project 4299-A1 - Mod. #1)

January 9, 1976 meeting, Board of Trustees

III. REPORT OF RESEARCH CONTRACTS, GRANTS, GIFTS, AND AGREEMENTS  
(continued)

F. The Ohio State University Research Foundation (continued)

1. Federal Research Contracts/Grants (continued)

- h. \$60,000.00 from Department of the Navy, Naval Air Systems Command, Washington, D. C., for Advanced Concepts in Adaptive Arrays, under the direction of ElectroScience Laboratory, Department of Electrical Engineering, for period December 1, 1975 through November 30, 1976. (Project 4326-A1 - New)
- i. \$59,820.00 from Department of Health, Education, and Welfare, Public Health Service, Region V Office, Chicago, Illinois, for Preparation for Entrance into the Health Professions, under the direction of Office of Minority Affairs, for period July 1, 1975 through June 30, 1976. (Project 4319-A1 - New)
- j. \$30,000.00 from National Science Foundation, Washington, D. C., for Strained Polycyclic Aromatic Hydrocarbons, under the direction of Department of Chemistry, for period January 1, 1975 through December 31, 1976. (Project 4102-A1 - NSF Letter Dated November 3, 1975)
- k. \$30,000.00 from Department of the Navy, Office of Naval Research, Arlington, Virginia, for Separated Flows, under the direction of Department of Aeronautical and Astronautical Engineering, for period August 1, 1975 through December 31, 1976. (Project 4313-A1 - New)
- l. \$20,320.00 from Department of the Navy, Office of Naval Research, Arlington, Virginia, for Defense Contract Law Course, under the direction of Division of Continuing Education, College of Administrative Science, for period July 1, 1974 through September 30, 1976. (Project 4077-A1 - Mod. #P00002)
- m. \$16,000.00 from National Science Foundation, Washington, D. C., for Preparation and Investigation of Compounds Containing Aluminum-Boron, Aluminum-Silicon and Aluminum-Transition Metal Bonds, under the direction of Department of Chemistry, for period December 1, 1973 through November 30, 1976. (Project 3826-A1 - NSF Letter Dated November 3, 1975)
- n. \$14,110.00 from Department of the Navy, Office of Naval Research, Arlington, Virginia, for Defense Two-Step Formal Advertising and Multi-Year Procurement Course, under the direction of Division of Continuing Education, College of Administrative Science, for period July 1, 1974 through June 30, 1976. (Project 4082-A1 - Mod. #P00003)



January 9, 1976 meeting, Board of Trustees

III. REPORT OF RESEARCH CONTRACTS, GRANTS, GIFTS, AND AGREEMENTS  
(continued)

F. The Ohio State University Research Foundation (continued)

1. Federal Research Contracts/Grants (continued)

- o. \$1,427.00 from Department of the Army, Maryland Procurement Office, Fort George G. Meade, Maryland, for Superdirective Antenna Array Study, under the direction of ElectroScience Laboratory, Department of Electrical Engineering, for period June 3, 1974 through November 30, 1975. (Project 3955-A1 - Mod. #P00003)

TOTAL - Federal Research Contracts/Grants \$1,004,451.00

2. State of Ohio Research Contracts/Grants

- a. \$25,000.00 from The Ohio Commission on Aging, Columbus, Ohio, for Legal Aspects of Service Projects for the Elderly, under the direction of College of Law, for period November 1, 1975 through June 30, 1976. (Project 4329-A1 - New)

3. Industrial, Private, and Other Non-Federal Research Contracts/Grants

- a. \$38,379.00 from American Cancer Society, Inc., New York, New York, for Endocrine Profiles in Patients with Breast Cancer, under the direction of Department of Medicine, for period January 1, 1976 through December 31, 1976. (Project 4338-A1 - New)
- b. \$20,000.00 from The Franklin Institute Research Laboratories, Philadelphia, Pennsylvania, for Development of Mathematical Model for Visual Adaptation During Exposure to Luminance Transients, under the direction of College of Biological Sciences, Institute for Research in Vision, for period October 1, 1975 through March 31, 1976. (Project 4293-A1 - New)
- c. \$7,500.00 from American Heart Association, East Central Ohio Heart, Inc., Canton, Ohio, for The Effects with Chronic Systemic Hypoxia on Collateral Coronary Formation, under the direction of Department of Surgery, for period October 1, 1975 through September 30, 1976. (Project 4318-A1 - New)
- d. \$7,500.00 from American Heart Association, East Central Ohio Heart, Inc., Canton, Ohio, for Drug Interactions Affecting Digitalis in Man, under the direction of Department of Medicine, for period October 1, 1975 through September 30, 1976. (Project 4323-A1 - New)

January 9, 1976 meeting, Board of Trustees

III. REPORT OF RESEARCH CONTRACTS, GRANTS, GIFTS, AND AGREEMENTS

(continued)

F. The Ohio State University Research Foundation (continued)

3. Industrial, Private, and Other Non-Federal  
Research Contracts/Grants (continued)

- e. \$6,930.00 from American Heart Association, East Central Ohio Heart, Inc., Canton, Ohio, for Separation of Digitalis Inotropy from Toxicity, under the direction of Department of Pharmacology, for period October 1, 1975 through September 30, 1976. (Project 4317-A1 - New)
- f. \$5,940.00 from American Cancer Society, Ohio Division, Franklin County, Columbus, Ohio, for A Study of Isolated Perfusion of the Pig Liver with Heated Solutions of 5-Fluorouracil, under the direction of Department of Surgery, for period October 1, 1975 through September 30, 1976. (Project 4333-A1 - New)
- g. \$5,918.00 from American Cancer Society, Ohio Division, Franklin County, Columbus, Ohio, for Electron Microscopic Demonstration of Insulin Receptors on Mammary Cancer Cells, under the direction of Department of Pathology, for period October 1, 1975 through September 30, 1976. (Project 4335-A1 - New)
- h. \$5,607.00 from National Geographic Society, Washington, D. C., for Tertiary Molluscan Biostratigraphy of Tierra del Fuego and Patagonia, under the direction of Institute of Polar Studies, for period November 13, 1975 through November 12, 1976. (Project 4332-A1 - New)
- i. \$5,533.00 from American Cancer Society, Ohio Division, Franklin County, Columbus, Ohio, for An Oxygen Consumption Assay of Tumor Cell Susceptibility to Cytotoxic Agents, under the direction of Department of Surgery, for period October 1, 1975 through September 30, 1976. (Project 4334-A1 - New)

TOTAL - Industrial, Private, and Other Non-Federal  
Research Contracts/Grants \$103,307.00

G. The Engineering Experiment Station

1. State Research Contracts

- a. \$64,787.00 from Public Utilities Commission of Ohio, Columbus, Ohio, for Development of Electric Utility Corporate Models, under the direction of Department of Mechanical Engineering, for period November 1, 1975 through October 31, 1976. (EES 529)
- b. \$24,700.00 from Ohio Department of Transportation, Columbus, Ohio, for Stability and Performance of Earthworks in Residual Soils of Southeastern Ohio, under the supervision of the Department of Civil Engineering, for period November 10, 1975 through November 9, 1976. (EES 530)

TOTAL - State Research Contracts \$89,487.00

January 9, 1976 meeting, Board of Trustees

III. REPORT OF RESEARCH CONTRACTS, GRANTS, GIFTS, AND AGREEMENTS  
(continued)

H. The Ohio State University Development Fund

1. Gifts of \$5,000 or More

- a. \$30,294.81 from Consolidated Business Services, Inc., Columbus, Ohio, for the Department of Medicine General Fund.
- b. \$22,100.00 from Anderson Foundation, Maumee, Ohio, for their research fund in Agriculture.
- c. \$10,000.00 from The Iddings Benevolent Trust, Dayton, Ohio, for student financial aid in the College of Law.
- d. \$9,600.00 from Arby's, Inc., Youngstown, Ohio, for a fund in Animal Science.
- e. \$8,900.00 from The Dow Chemical Company, Midland, Michigan, for a project in the Department of Computer and Information Science.
- f. \$7,979.00 from Merrell-National Laboratories, Cincinnati, Ohio, for general pharmacology research.
- g. \$6,500.00 from Eastman Kodak Company, Rochester, New York, as an unrestricted gift to the University.
- h. \$6,000.00 from Consumer Guild Foods, Inc., Toledo, Ohio, for a new project to support the Department of Food Science and Nutrition's graduate programs.
- i. \$5,500.00 from National Steel Corporation, Weirton, West Virginia, for their fellowship in Metallurgical Engineering.
- j. \$5,154.75 from Robert J. Grogan, Columbus, Ohio, for the Department of Mechanical Engineering Support Fund.

2. Gifts-in-Kind

- a. A gift of 10 registered Charolais cattle from Bradley T. Coates, M. D., Lantana, Florida, for the College of Veterinary Medicine.
- b. A gift of 12 registered Charolais cattle from John W. Randolph, M. D., Atlantis, Florida, for the College of Veterinary Medicine.
- c. A gift of 13 registered Charolais cattle from Gerald K. Shortz, M. D., Manslapan, Florida, for the College of Veterinary Medicine.

January 9, 1976 meeting, Board of Trustees

III. REPORT OF RESEARCH CONTRACTS, GRANTS, GIFTS, AND AGREEMENTS  
(continued)

H. The Ohio State University Development Fund (continued)

3. Establishment of Named Funds

- a. \$30,000.00 from the Estate of Bertha F. Eikenberry for the establishment of The Dan H. Eikenberry Scholarship Fund.

The Dan H. Eikenberry Scholarship Fund

The Dan H. Eikenberry Scholarship Fund was established January 9, 1976, by the Board of Trustees of The Ohio State University with a bequest to The Ohio State University by Bertha F. Eikenberry in memory of her husband, Dan H. Eikenberry, Professor Emeritus at The Ohio State University.

All gifts are to be invested in the University's Permanent Endowment under the rules and regulations adopted by the Board of Trustees of The Ohio State University, with the right to invest and reinvest as occasion dictates.

The annual income is to be used for scholarships for students enrolled in programs related to Secondary School Administration of the College of Education. Each scholarship is to be designated as the "Dan H. Eikenberry Scholarship." The selection of the recipients is to be made upon the recommendation of the Dean of the College of Education to the University Scholarship and Loan Committee, with preference given to qualified students majoring in Educational Administration with ability, character, and financial need.

Should the need for these scholarships cease to exist or so diminish as to provide unused income, then the income may be used for any purpose whatsoever as determined by the Board of Trustees of The Ohio State University.

- b. \$10,000.00 from Everett L. Shaffstall for the establishment of the Everett L. Shaffstall Engineering Scholarship Fund.

Everett L. Shaffstall Engineering Scholarship Fund

The Everett L. Shaffstall Engineering Scholarship Fund was established January 9, 1976, by the Board of Trustees of The Ohio State University with a gift to The Ohio State University Development Fund from Everett L. Shaffstall (B. E. E. '63, M. S. '63), Indianapolis, Indiana.

III. REPORT OF RESEARCH CONTRACTS, GRANTS, GIFTS, AND AGREEMENTS  
(continued)

H. The Ohio State University Development Fund (continued)

3. Establishment of Named Funds (continued)

b. Everett L. Shaffstall Engineering Scholarship Fund (continued)

All gifts are to be invested in the University's Permanent Endowment Fund, under the rules and regulations adopted by the Board of Trustees of The Ohio State University, with the right to invest and reinvest as occasion dictates.

The annual income is to be used to provide one or more scholarships for undergraduate and/or graduate students who have demonstrated academic ability and need for financial assistance. The selection of the recipient is to be made upon the recommendation of the Dean of the College of Engineering. Preference is to be given to students enrolled in the Department of Electrical Engineering.

Should the need for these scholarships cease to exist or so diminish as to provide unused income, then the income may be used for any purpose whatsoever as determined by the Board of Trustees, with preference being given to recommendations from the appropriate administrative official of the University who is then directly responsible for engineering scholarships.

- c. \$10,000.00 from Dr. M. Henry Speck and Dr. Myron E. Speck for the establishment of the Doctors M. Henry and Myron E. Speck Fund.

Doctors M. Henry and Myron E. Speck Fund

The Doctors M. Henry and Myron E. Speck Fund was established January 9, 1976, by the Board of Trustees of The Ohio State University with a gift to The Ohio State University Development Fund from M. Henry Speck, M. D., of Youngstown, Ohio, and Myron E. Speck, M. D. '31, of Cleveland, Ohio.

All gifts are to be invested in the University's Permanent Endowment Fund, under the rules and regulations adopted by the Board of Trustees of The Ohio State University, with the right to invest and reinvest as occasion dictates.

The annual income is to be used to provide one or more scholarships for students enrolled in the College of Medicine who have demonstrated a need for financial assistance. The selection of the recipient is to be made upon the recommendation of the Dean of the College of Medicine in conjunction with the Director of Student Financial Aids.

III. REPORT OF RESEARCH CONTRACTS, GRANTS, GIFTS, AND AGREEMENTS  
(continued)

H. The Ohio State University Development Fund (continued)

3. Establishment of Named Funds (continued)

c. Doctors M. Henry and Myron E. Speck Fund (continued)

Should the need for these scholarships cease to exist or so diminish as to provide unused income, then the income may be used for any purpose whatsoever as determined by the Board of Trustees, with preference being given to recommendations from the appropriate administrative official of the University who is then directly responsible for medical education.

d. \$6,000.00 from alumni, friends and family of Paul N. Lehoczky for the establishment of The Paul N. Lehoczky Memorial Fund.

The Paul N. Lehoczky Memorial Fund

The Paul N. Lehoczky Memorial Fund was established January 9, 1976, by the Board of Trustees of The Ohio State University with gifts to The Ohio State University Development Fund by alumni, friends and family in memory of Paul N. Lehoczky (M.S. '28, Ph. D. '31), Professor in the Department of Industrial and Systems Engineering from 1928 to 1965 and Chairman from 1944 to 1964.

All gifts are to be invested in the University's Permanent Endowment under the rules and regulations adopted by the Board of Trustees of The Ohio State University, with the right to invest and reinvest as occasion dictates.

The annual income is to be used to attract funded research and to support development projects within the department, including grants to faculty, research personnel, and equipment and supplies. Requests for the expenditure of funds will be initiated by the Chairman of the Department of Industrial and Systems Engineering and approved by the Dean of the College of Engineering.

Should the need for the activities designated above cease to exist, then the income may be used for any purpose whatsoever as determined by the Board of Trustees with preference being given to recommendations from the appropriate administrative official of the University who is then directly responsible for Industrial and Systems Engineering education.

III. REPORT OF RESEARCH CONTRACTS, GRANTS, GIFTS, AND AGREEMENTS  
(continued)

H. The Ohio State University Development Fund (continued)

3. Establishment of Named Funds (continued)

- e. \$2,000.00 from Mr. and Mrs. Robert B. Hunter for the establishment of The Merrill P. Hughes Memorial Scholarship Fund.

The Merrill P. Hughes Memorial Scholarship Fund

The Merrill P. Hughes Memorial Scholarship Fund was established January 9, 1976, by the Board of Trustees of The Ohio State University with a gift to The Ohio State University Development Fund from Mr. and Mrs. Robert B. Hunter (B. E. E. '48), of Piqua, Ohio, in memory of Merrill P. Hughes.

All gifts are to be invested in the University's Permanent Endowment, under the rules and regulations adopted by the Board of Trustees of The Ohio State University, with the right to invest and reinvest as occasion dictates.

The annual income is to be used to provide one or more scholarships for undergraduate and/or graduate students who have demonstrated academic ability. Income is to be added to the principal until the principal reaches \$5,000. The selection of the recipient is to be made upon the recommendation of the University Scholarship Committee. Preference is to be given to students graduating from Piqua Central High School, Piqua, Ohio.

Should the need for these scholarships cease to exist or so diminish as to provide unused income, then the income may be used for any purpose whatsoever as determined by the Board of Trustees, with preference being given to recommendations from the appropriate administrative official of the University who is then directly responsible for scholarships.

- f. \$1,000.00 from Mr. and Mrs. Ernest D. Fuhrman for the establishment of The Thomas H. Fuhrman Memorial Fund.

The Thomas H. Fuhrman Memorial Fund

The Thomas H. Fuhrman Memorial Fund was established January 9, 1976, by the Board of Trustees of The Ohio State University with gifts to The Ohio State University Development Fund from Mr. and Mrs. Ernest D. Fuhrman, Lima, Ohio, in memory of their son, Thomas H. Fuhrman.

III. REPORT OF RESEARCH CONTRACTS, GRANTS, GIFTS, AND AGREEMENTS  
(continued)

H. The Ohio State University Development Fund (continued)

3. Establishment of Named Funds (continued)

f. The Thomas H. Fuhrman Memorial Fund (continued)

All gifts are to be invested in the University's Permanent Endowment Fund under the rules and regulations adopted by the Board of Trustees of The Ohio State University, with the right to invest and reinvest as occasion dictates.

The annual income is to be added to the principal until the fund reaches \$10,000. At that time, the annual income is to be used to provide scholarship assistance to one or more students enrolled in the School of Music. Selection of the recipient(s) is to be made by the University Scholarship Committee upon the recommendation of the Director of the School of Music.

Should the need for these scholarships cease to exist or so diminish as to provide unused income, then the income may be used for any purpose whatsoever as determined by the Board of Trustees, with preference being given to recommendations from the appropriate administrative official of the University who is directly responsible for music education.

\*

\*

\*

IV. BUSINESS AND ADMINISTRATION

A. Architects/Engineers

WHEREAS in order to initiate Engineering and Architectural planning for the accompanying construction projects: Therefore be it

RESOLVED, That the Architectural and Engineering firms be employed in accordance with the requirements outlined for each project.

Upon motion of Mr. Devenow, seconded by Mr. Hilliker, the above resolution was adopted by unanimous roll call vote.

1. Deaerating Feedwater Heater

WHEREAS conditions are such in McCracken Power Plant to warrant providing a new feedwater heater that will remove the oxygen from the boiler water system. This will aid in prolonging the life span of the system boiler tubes, piping and related equipment.



January 9, 1976 meeting, Board of Trustees

IV. BUSINESS AND ADMINISTRATION (continued)

A. Architects/Engineers (continued)

1. Deaerating Feedwater Heater (continued)

WHEREAS the fee for this service will be negotiated between the engineering firm and the Department of Administrative Services, Division of Public Works. The total project cost is One Hundred Twenty Thousand Dollars (\$120,000.00).

WHEREAS, funds for this service have been provided from H. B. 687, Utilities and Renovation.

NOW, THEREFORE, BE IT RESOLVED that the firm of Moulensbelt and Seifert, Engineers, of Dayton, Ohio, be employed to provide complete engineering services for this project including preliminary plans, basic drawings, working drawings, specifications, estimates of cost, necessary bidding documents and observation of construction.

2. Energy Conservation, Phase II

WHEREAS it has become necessary to provide energy conservation modifications in several University buildings. This project will provide for modifying heating, air conditioning and lighting systems for on-going Ohio State University Energy Conservation Programs. Substantial savings in energy will be accomplished by this work.

WHEREAS two engineering firms will be employed to coordinate this work and the fees for their services will be negotiated between the engineering firms and the Department of Administrative Services, Division of Public Works. The total project cost is Nine Hundred Thousand Dollars (\$900,000.00).

WHEREAS funds for this service have been provided from H. B. 687, Utilities and Renovation.

NOW, THEREFORE, BE IT RESOLVED that the firms of Philip E. Absi and Associates of Columbus, Ohio, and Automated Construction Technology, Inc., of Dayton, Ohio, be employed to provide complete engineering services for this project, including preliminary plans, basic drawings, working drawings, specifications, estimates of cost, necessary bidding documents and observation of construction.

3. Hamilton Hall, Electrical Phase II

WHEREAS the accomplishment of this project will relieve heavily loaded lines, improve voltage regulation within the building and provide electrical capacity for laboratories presently proposed in the College of Medicine programs.

IV. BUSINESS AND ADMINISTRATION (continued)

A. Architects/Engineers (continued)

3. Hamilton Hall, Electrical Phase II (continued)

WHEREAS the fee for this service will be negotiated between the engineering firm and the Department of Administrative Services, Division of Public Works. The total project cost is One Hundred and Fifty Thousand Dollars (\$150,000.00).

WHEREAS funds for this service have been provided from H. B. 687, Utilities and Renovation.

NOW, THEREFORE, BE IT RESOLVED that the firm of W. E. Monks and Company of Columbus, Ohio, be employed to provide complete engineering services for this project including preliminary plans, basic drawings, working drawings, specifications, estimates of cost, necessary bidding documents and observation of construction.

B. Plans and Specifications

WHEREAS at the request of the President and/or Vice President for Business and Administration, it is requested that the Board of Trustees approve the plans and specifications, bills of materials, and estimates of cost for projects set forth on the attached sheets: Therefore be it

RESOLVED, That the Secretary is authorized and directed to sign the plans and specifications for the projects for and on behalf of the Board of Trustees, and the President and/or Vice President for Business and Administration is directed to proceed with the request for bids, and if satisfactory bids are received to proceed with the award of contracts in the normal University manner, and,

RESOLVED further, That all actions, in accordance with authorization of the Board of Trustees, will be reported at a later meeting.

Upon motion of Mr. Gushman, seconded by Dr. Jacob, the foregoing resolution was adopted by unanimous roll call vote.

1. Electrical System Expansion and Telephone Ducts--Phase II

This project will provide additional underground electric and telephone conduits; conditions are such to warrant this work due to building additions and alterations, improvements to service, and the reduction of electrical loads from McCracken Power Plant generating and distribution system; and the additional telephone conduits will provide for extension capability of phone cables. These conduits will facilitate the installation of cables for Computer and Listening Center and Information Systems on campus.

Funds are budgeted in H. B. 687, Utilities and Renovation.

January 9, 1976 meeting, Board of Trustees

IV. BUSINESS AND ADMINISTRATION (continued)

B. Plans and Specifications (continued)

2. Garage and Laundry Building Remodeling

This project will provide for additional space for the Department of Public Safety due to the expansion of the department. The work will involve internal renovations to incorporate supporting facilities unique to police work, installation of emergency lighting and related work.

Funds are budgeted in H. B. 687, Utilities and Renovation.

3. University Hospitals--Roof Repairs

This project will provide for necessary repairs to the existing roofs on certain portions of University Hospital and Upham Hall due to deterioration.

Funds are budgeted in Budget Account 801319 (Roofs - University Hospital and Upham Hall).

4. McPherson Chemistry Laboratory and Smith Laboratory--Interior Lighting Improvements

This project will provide for upgrading the lighting in corridors and stairwells from incandescent to fluorescent fixtures. This will improve safety and at the same time reduce energy usage.

Funds are budgeted in Budget Account 126070 (Contract Repair).

5. French Field House Remodeling

This project will provide for the addition to the south side of this facility for expansion of training and shower rooms to accommodate females.

Funds are budgeted in Budget Account 801318 (French Field House Addition).

C. Report of Award of Contracts

WHEREAS in accordance with the resolution adopted by the Board of Trustees at previous meetings, authorization was given to the Vice President for Business and Administration to sign the plans and specifications and to proceed with the request for bids in the normal University manner: Therefore be it

January 9, 1976 meeting, Board of Trustees

IV. BUSINESS AND ADMINISTRATION (continued)

C. Report of Award of Contracts (continued)

RESOLVED, That pursuant to the previous actions of the Board, various construction and renovation projects were bid, and the following information is reported to the Board.

Upon motion of Mr. Smith, seconded by Mr. Hilliker, the above resolution was adopted; the award of contracts and expenditure of funds were approved; and the action of the President and/or Vice President for Business and Administration was approved by unanimous roll call vote.

1. Dentistry Building--Replacement of Basement Fan

	<u>Low Bid</u>	<u>Est. of Cost</u>
<u>Heating, Ventilating and</u> <u>Air Conditioning Contract</u> (3 bids received 10-30-75, Rebid)		
Julian Speer Company (Columbus)		
Base bid	\$30,400.00	\$56,000.00
Alt. H-1 Piping controls for third floor areas	+ 6,000.00	+ 6,000.00
Alt. H-2 Modifications to existing AC unit, No. 1	+ 5,700.00	+ 8,000.00
Alt. H-3 Modifications to existing AC unit, No. 2	<u>+ 4,750.00</u>	<u>+ 8,000.00</u>
Total Contract	<u>\$46,850.00</u>	<u>\$78,000.00</u>

Funds for this project have been provided from Budget Account 126070 (Contract Repair).

2. Interior Painting--Botany and Zoology, Campbell Hall  
and Hughes Hall

	<u>Low Bid</u>	<u>Est. of Cost</u>
<u>General Contract</u> (10 bids received 12-9-75)		
Mollenauer Painting Company (Columbus)		
	\$57,302.00	\$92,695.00

Funds for this project have been provided from Budget Account 126070 (Contract Repair).

January 9, 1976 meeting, Board of Trustees

IV. BUSINESS AND ADMINISTRATION (continued)

D. General

1. Football Broadcasting Contract

WHEREAS pursuant to a policy established June 7, 1973, for the awarding of football broadcasting rights, bids were solicited for the purchase of a five-year contract (1976-1980) to operate a football radio network in accordance with specifications designed by The Ohio State University Department of Athletics and Purchasing Department in consultation with the University's Legal Counsel; and

WHEREAS three sealed bids were received on December 14, 1975, and publicly opened by Glenn Welsh of the Office of Purchasing and Materials Management on December 15, 1975, and the Director of Purchasing has, in consultation with the Director of Athletics, analyzed said bids and concluded that the bid from WTVN Radio, Columbus, Ohio, was the highest and best bid: Therefore be it

RESOLVED, That the WTVN Radio bid be accepted, and that the President be, and hereby is authorized to enter into a contract with WTVN Radio subject to such conditions as are deemed by the President, in consultation with legal counsel, to be in the best interests of the University.

Upon motion of Mr. Devenow, seconded by Mr. Hilliker, the Board of Trustees adopted the foregoing resolution by unanimous roll call vote.

2. Don Scott Field - MALSR System  
Lease No. DOT-FA73GL-0318

WHEREAS the Board of Trustees of The Ohio State University has received a request to amend Lease No. DOT-FA73GL-0318 between the United States of America, Department of Transportation, Federal Aviation Administration, and the State of Ohio (The Ohio State University); and

WHEREAS Lease No. DOT-FA73GL-0318 is to be amended to add land required for the installation, operation, and maintenance of a permanent center field wind site, and construction of an access road from the site to Runway 5-23 with the plot involved containing .04 acre more or less: Therefore be it

RESOLVED, That the President and/or Vice President for Business and Administration be authorized to proceed with the appropriate addendum to the original lease outlined above.

Upon motion of Mr. Devenow, seconded by Mr. Hilliker, the Board of Trustees adopted the foregoing resolution by unanimous roll call vote.

January 9, 1976 meeting, Board of Trustees

IV. BUSINESS AND ADMINISTRATION (continued)

File No. 1931  
DOT-FA73GL-0318

ADDENDUM TO LEASE

IT IS HEREBY MUTUALLY AGREED by and between The United States of America, Department of Transportation, F.A.A., as Lessee, and the State of Ohio (The Ohio State University), acting by and through the Director of Administrative Services as Lessor, that effective September 1, 1975, a certain lease entered into as of August 23, 1973, covering the installation of the MALSR system at Don Scott Field, Franklin County, Ohio, be amended as follows:

Lease No. DOT-FA73GL-0318 is hereby amended, to add land required for the installation, operation and maintenance of a permanent center field wind site on The Ohio State University Airport, Columbus, Ohio.

DESCRIPTION OF PREMISES AND RIGHTS

From the intersection of the center line of runways 14-32 and 5-23 proceed N 43°41' W (T) a distance of 375', thence S 46°19' W a distance of 375' to the point of beginning; thence N 43°41' W for 40'; thence S 46°19' W for 40'; thence S 43°41' E for 40'; thence N 46°19' E for 40' to the point of beginning. Said plot contains .04 acre more or less.

The Government shall have the right to:

- 1. Construct an access road from the site to Runway 5-23.

Further reference to the above described parcels is made to the attached plat.

All other terms and conditions of the present lease shall remain unchanged.

The foregoing instrument was acknowledged before me this \_\_\_\_ day of \_\_\_\_\_ 1976.

PARTY OF THE FIRST PART  
THE STATE OF OHIO  
DEPARTMENT OF ADMINISTRATIVE SERVICES

\_\_\_\_\_  
Title or Rank

\_\_\_\_\_  
R. L. Krabach, Director

\_\_\_\_\_  
Title or Rank

PARTY OF THE SECOND PART  
THE UNITED STATES OF AMERICA

Witnesses as to Signature of Party of the Second Part  
\_\_\_\_\_  
\_\_\_\_\_

By \_\_\_\_\_  
Richard A. Clevenger  
Chief, Real Estate Branch  
Department of Transportation

January 9, 1976 meeting, Board of Trustees

IV. BUSINESS AND ADMINISTRATION (continued)

D. General (continued)

3. Lease for Branch Bank in the Drake Union

WHEREAS numerous student requests for banking services, coupled with a comprehensive survey of University banking needs, have resulted in the development of specifications to establish a branch bank in the Drake Union; and

WHEREAS bids were solicited in accordance with specifications developed by the Office of the Treasurer and the University Purchasing Department; the intent of the specifications being to provide full banking services for students, faculty, staff and the various business offices of the University; and

WHEREAS bid invitations were sent to six banks in Columbus, Ohio, which resulted in two bid proposals; one from City National Bank & Trust Company and the other from The Ohio National Bank; and

WHEREAS an advisory committee consisting of students and representatives of the major depositing agencies of the University reviewed the bid proposals and conducted additional interviews with the banks submitting bids: Therefore be it

RESOLVED, That the recommendations of the advisory committee be accepted and that this University enter into a five-year lease agreement with the City National Bank & Trust Company so that this service may be available starting Autumn Quarter, 1976.

Upon motion of Mr. Devenow, seconded by Mr. Hilliker, the Board of Trustees adopted the foregoing resolution by unanimous roll call vote.

4. Designation of Special Counsel

WHEREAS on September 5, 1975, the Board of Trustees approved the plans and specifications, bills of material, and estimates of cost for the Eleventh Avenue Parking Ramp (to be located east of Neil Avenue on the south side of Eleventh Avenue, with a capacity of approximately 650 vehicles) and directed the President and/or Vice President for Business and Administration to proceed with the request for bids and if satisfactory bids are received to proceed with the award of contracts; and

WHEREAS in furtherance of this project the Board of Trustees hereby determines that it is in the interest of the University to obtain the services of Squire, Sanders & Dempsey in connection with a proposed issue of General Receipts Bonds, and any additional bonds issued on a parity thereto, to finance the construction of the Eleventh Avenue Parking Ramp: Therefore be it

January 9, 1976 meeting, Board of Trustees

IV. BUSINESS AND ADMINISTRATION (continued)

D. General (continued)

4. Designation of Special Counsel (continued)

RESOLVED by the Board of Trustees, That the President and/or the Vice President for Business and Administration, be authorized to request the Attorney General of the State of Ohio to designate Squire, Sanders & Dempsey as Special Counsel to the University, on the terms set forth in the Form of Designation presented to and filed with the records of this meeting; and be it

RESOLVED further, That the officers of the University as designated proceed as soon as practicable to sell bonds in amounts as are required by the total funding plan for this project; such bonds to be sold within the framework of the University's previously approved bonding procedures and with the advice and counsel of Squire, Sanders & Dempsey.

Upon motion of Mr. Devenow, seconded by Mr. Hilliker, the Board of Trustees adopted the foregoing resolution by unanimous roll call vote.

\*

\*

\*

V. REPORTS

A. Report from Auditor of State for The Ohio State University for July 1, 1973 through June 30, 1974

WHEREAS the Auditor of State is charged with the statutory responsibility for auditing accounts for all departments of the State, including State-assisted universities; and

WHEREAS the annual report of the Auditor of State for The Ohio State University for the period July 1, 1973 through June 30, 1974, has been received and reviewed by the appropriate officers of the University; and

WHEREAS the accounts, records, files and reports of The Ohio State University were found to be in order: Therefore be it

RESOLVED, That this report of the Auditor of State be received and filed with the official documents of the University.

Mr. Gushman proposed that action be deferred on acceptance of the report pending a meeting with the State Auditor and members of the Board for the purpose of discussing the report. Mr. Devenow concurred with this proposal.



January 9, 1976 meeting, Board of Trustees

V. REPORTS (continued)

B. Sale of Property - Lot No. 226, Unit 1, County of Siskiyou, McCloud, California

WHEREAS on September 5, 1975, the Board of Trustees of The Ohio State University authorized the President and/or Vice President for Business and Administration to proceed with the sale of the property known as Lot No. 226 in McCloud Subdivision, Unit No. 1, County of Siskiyou, McCloud, California; and

WHEREAS this sale was not completed and said action is hereby rescinded; and

WHEREAS it is now proposed that the sale of the property to Sidney Muma and Helen Muma for the sum of \$50,000 be approved: Therefore be it

RESOLVED, That the Vice President for Business and Administration be authorized to proceed with the sale of said property and that the President and/or Vice President for Business and Administration be authorized to execute the necessary documents to consummate the sale of the aforementioned property.

Upon motion of Mr. Devenow, seconded by Dr. Jacob, the Board of Trustees adopted the foregoing resolution by unanimous roll call vote.

C. Reports from the Fiscal Affairs Committee

1. Hospital Professional Liability Coverage

WHEREAS, the Board of Trustees on November 7, 1975, authorized The Ohio State University to purchase liability insurance for all employees and students of The Ohio State University Hospitals while acting within the scope of their assigned duties/responsibilities, and

WHEREAS, in this action it was stipulated that the acquisition of such coverage be subject to the approval of the appropriate state officials and legal counsel, and

WHEREAS, all such approvals have now been obtained,

NOW, THEREFORE, BE IT RESOLVED, That the purchase of liability insurance from The Ohio Medical Professional Liability Underwriting Association for the employees and students of University Hospital while acting within the scope of their assigned duties/responsibilities with the following coverages and premiums be hereby ratified:

January 9, 1976 meeting, Board of Trustees

V. REPORTS (continued)

C. Reports from the Fiscal Affairs Committee (continued)

1. Hospital Professional Liability Coverage (continued)

Coverages

- a. Hospital Professional Liability Coverage  
(Claims Made Form)  
Limits of Liability  
    \$200,000 per claim  
    \$600,000 annual aggregate
- b. General Liability Insurance (Premises-  
Operations-Elevators and Escalators Only)  
Limits of Liability  
    Bodily Injury:  
        \$600,000 each occurrence  
    Property Damage:  
        \$50,000 each occurrence
- c. Excess Liability  
    \$1,000,000 per claim  
    \$1,000,000 annual aggregate for all claims

Premiums

a. Estimated Annual Premium	\$655,241.40
b. Annual Stabilization Reserve Fund Charge	<u>80,000.00</u>
c. Total	\$735,241.40

Upon motion of Mr. Devenow, seconded by Mr. Gushman, the above resolution was adopted by unanimous roll call vote.

2. Major Medical Insurance Program Benefits

WHEREAS during the past three years there have been no substantive changes in the University's surgical-medical and major medical insurance coverages for its employees; and

WHEREAS during this period the Consumer Price Index for health care has skyrocketed, compounding at a rate of almost 9 per cent per year for an increase of slightly less than 29 per cent for the total period; and

WHEREAS through John Hancock Mutual Life Insurance Company, which took over underwriting the University's surgical-medical

January 9, 1976 meeting, Board of Trustees

V. REPORTS (continued)

C. Reports from the Fiscal Affairs Committee (continued)

2. Major Medical Insurance Program Benefits (continued)

insurance in 1972, the University is providing \$450 surgical coverage and other benefits which in today's economy simply do not meet the needs of faculty and staff: Therefore be it

RESOLVED, That consistent with the recommendation by the administration, the Faculty Compensation and Benefits Committee, and the Fiscal Affairs Committee of this Board, the following improvements to the University's health insurance program with John Hancock Mutual Life Insurance Company be approved, effective immediately.

That the present \$450 surgical schedule be increased to an \$800 schedule, including a commensurate amount on the anesthesia and obstetrical coverages. (Maternity benefits will be available as of the effective date of the insurance for pregnancies.)

That the in-hospital medical expense benefit be increased from the present \$10.00 for the first day, \$5.00 for each of the next three days, and \$4.00 for each of the next 116 days to \$20.00 for the first day, \$10.00 for each of the next three days, and \$8.00 for each of the next 116 days.

That the major medical maximum benefit be increased from \$50,000 to \$100,000 per insured person. This improvement would be subject to a pre-existing conditions limitation and would not apply to any period of disability existing as of the effective date. (This higher major medical maximum would not apply to the treatment of mental and nervous conditions which do not require hospital or institutional confinement.)

That the major medical deductible accumulation period be increased from six months to twelve months (calendar year).

That when two insured persons in the same family satisfy the major medical deductible in any calendar year, then all additional persons in that family shall be covered during that calendar year without having to satisfy any deductible.

That the major medical coverage for hospital private rooms be increased from the semi-private rate plus \$3, to the semi-private rate plus \$8 per day.

January 9, 1976 meeting, Board of Trustees

V. REPORTS (continued)

C. Reports from Fiscal Affairs Committee (continued)

2. Major Medical Insurance Program Benefits (continued)

RESOLVED further, That the annual cost associated with providing these benefit improvements will be \$440,787; of this amount, \$187,775 will be funded from Instructional and General budgets of the University.

Upon motion of Dr. Jacob, seconded by Mr. Hilliker, the Board of Trustees adopted the foregoing resolution by unanimous roll call vote.

D. Reports on University Investment Portfolio

The reports on the University's Investment Portfolio dated December 5, 1975 and January 8, 1976, as submitted to the Fiscal Affairs Committee of the Board of Trustees, were received and ordered to be filed with the official records of the Board.

\*

\*

\*

VI. GUEST SPEAKERS

The following individuals and representatives of groups requested permission to speak before the Trustees at the meeting concerning collective bargaining:

A. Collective Bargaining - Ad Hoc Faculty Group

Russel C. Jones, Professor and Chairman of the Department of Civil Engineering, in a prepared statement said that collective bargaining rights for Ohio State University faculty members would lower the quality of education, drain too much budget money off for salaries, and alienate the public. In the proposed election, the faculty would decide whether to bring collective bargaining onto the campus, and if so, what organization should represent the faculty. Jones said, "Generally, we think unionization of the faculty would be a strong force toward mediocrity, department by department, and toward loss of existing quality programs."

James Cerilli, Professor of Surgery; William G. Dewald, Professor of Economics; William Petersen, Professor of Sociology; Morgan Shipman, Professor of Law; and Edwin Robbins, Professor of English; also spoke in support of the position taken by Professor Jones.

B. Collective Bargaining - Undergraduate Student Government

Chris Kalis, President of the Undergraduate Student Government, asked the Trustees to include students in the bargaining process if the Board decides to authorize collective bargaining on campus. Kalis said students have a direct interest in how the bargaining affects their fees and the quality of their education.

January 9, 1976 meeting, Board of Trustees

VI. GUEST SPEAKERS (continued)

C. Collective Bargaining - Ohio Cooperative Extension Agents Association

Calvin Knight, President of the Ohio Cooperative Extension Agents Association, and Robert Groves, President-Elect of the Ohio Cooperative Extension Agents Association, joined in the request for a delay in voting for collective bargaining so that University faculty members can more fully debate the issue and to wait until the Ohio General Assembly acts on pending legislation that would set the stage for college faculty members to bargain with the administration.

\*

\*

\*

Thereupon the Board adjourned to meet Friday, February 6, 1976, at The Ohio State University Fawcett Center for Tomorrow, Columbus, Ohio, at 1:30 p.m.

Attest:

\_\_\_\_\_  
Madison H. Scott  
Acting Secretary

\_\_\_\_\_  
John H. Dunlap  
Chairman

Page 374 Blank

THE OHIO STATE UNIVERSITY  
OFFICIAL PROCEEDINGS OF THE  
ONE THOUSAND ONE HUNDRED AND FOURTEENTH MEETING  
OF THE BOARD OF TRUSTEES

Columbus, Ohio, January 23, 1976

Pursuant to Article I, Section 2, of the Bylaws of the Board of Trustees of The Ohio State University, the Board met upon the call of the Chairman, John H. Dunlap, in a special meeting on Friday, January 23, 1976, at 2:00 p.m., at the Fawcett Center for Tomorrow, Columbus, Ohio.

Present: John H. Dunlap, Chairman, M. Merle Harrod, John L. Gushman, Patricia D. James, Chester Devenow, Warren J Smith, John D. Jacob, and Donald J. Hilliker.

\*

\*

\*

January 23, 1976 meeting, Board of Trustees

The Chairman, Mr. Dunlap, called the special meeting to order. The meeting was recessed to be reconvened in Executive Session for the purpose of discussing collective bargaining.

The Board reconvened following the Executive Session and the meeting adjourned without taking any action.

Attest:

---

Edward Q. Moulton  
Secretary

---

John H. Dunlap  
Chairman



THE OHIO STATE UNIVERSITY  
OFFICIAL PROCEEDINGS OF THE  
ONE THOUSAND ONE HUNDRED AND FIFTEENTH MEETING  
OF THE BOARD OF TRUSTEES

Columbus, Ohio, March 5, 1976

The Board of Trustees met at its regular monthly meeting on Friday, March 5, 1976, at The Ohio State University Fawcett Center for Tomorrow, Columbus, Ohio, pursuant to adjournment.

11:00 a. m.

Present: John H. Dunlap, Chairman, M. Merle Harrod, Howard D. Sirak, Patricia D. James, Warren J Smith, John D. Jacob, and Donald J. Hilliker.

1:30 p. m.

Present: John H. Dunlap, Chairman, M. Merle Harrod, Howard D. Sirak, Patricia D. James, Chester Devenow, Warren J Smith, John D. Jacob, and Donald J. Hilliker.

\* \* \*

Minutes of the January 9, 1976 and January 23, 1976 meetings were approved.

\* \* \*

March 5, 1976 meeting, Board of Trustees

The meeting was called to order at 11:00 a.m., by John H. Dunlap, Chairman of the Board. The Secretary called the roll and ascertained that a quorum was present.

GUEST SPEAKERS

The following individuals having requested permission spoke before the Trustees on collective bargaining.

- A. Marshall A. Bell, President of the Council of Graduate Students, read the following resolution which was passed by the Council of Graduate Students at its February 5, 1976 meeting.

The Council of Graduate Students recommends should any further events occur within the university structure which may separate the university constituents into faculty, staff, and students, that the graduate students be treated as an entity separate from the general classification of students. (This is due to particular educational, research, library and employment relations with the university.) The Council of Graduate Students further recommends that the Board of Trustees also be aware of the distinctions within the graduate student body itself. Of the total of 9,224 graduate students, 3,700 are employed at the university as GRA's, TA's and AA's and another 1,500 students are employed at the university in other capacities.

- B. Chris Kalis, President of the Undergraduate Student Government, made his third presentation on behalf of the undergraduate students of the University concerning the need for representation from the students in any collective bargaining process which might be established.

\* \* \*

Thereupon the Board recessed in Executive Session to discuss collective bargaining and personnel considerations.

\* \* \*

The Board reconvened at 1:30 p.m.

RESOLUTIONS IN MEMORIAM

President Enarson reported to the Board the deaths of J. David Brilliant, Assistant Professor in the College of Dentistry; Paul J. Dixon, County Extension Agent, Agriculture, Cooperative Extension Service; Harold P. Fawcett, Professor Emeritus in the College of Education; Ralph Waterbury Powell, Professor Emeritus in the Department of Engineering Mechanics; Daisy Johnson Secrest, County Extension Agent Emeritus, Cooperative Extension Service; Royall H. Snow, Associate Professor Emeritus in the Department of English; and Gertrude M. Walsh, Instructor Emeritus in the Department of Romance Languages. In accordance with the instructions of the Board of Trustees, copies of the following resolutions expressing on behalf of the University the sorrow and sympathy of the Board will be furnished the families of the deceased.

March 5, 1976 meeting, Board of Trustees

RESOLUTIONS IN MEMORIAM (continued)

A. J. David Brilliant

The Board of Trustees of The Ohio State University expresses its sorrow upon the death on February 8, 1976, of Dr. J. David Brilliant, Assistant Professor in the College of Dentistry.

Dr. Brilliant attended Dickinson College and received his D. D. S. degree from Temple University School of Dentistry in 1958. He did his post-graduate work in endodontics at The Ohio State University. Dr. Brilliant was in private practice and was a member of the faculty of the College of Dentistry since 1959 and served as Chairman of the Graduate Endodontic Department.

Dr. Brilliant was a member of the Columbus Dental Society, Ohio State Dental Association, American Dental Association, Ohio Association of Endodontists, American Association of Endodontists, American Association of Dental Schools, Alpha Omega Fraternity, and Omicron Kappa Upsilon Fraternity.

On behalf of the University, the Board of Trustees expresses to the family its deep sympathy and sense of understanding in its loss. It was directed that this resolution be inscribed upon the minutes of the Board of Trustees and that a copy be tendered to the family as an expression of the Board's heartfelt sympathy.

B. Paul J. Dixon

The Board of Trustees of The Ohio State University expresses its sorrow upon the death on January 7, 1976, of Paul Jennings Dixon, County Extension Agent, Agriculture, in Pike County, Ohio.

Mr. Dixon was born July 29, 1925, at Waverly, Ohio. He was graduated from Waverly High School in 1943. He served in the United States Marine Corps prior to enrolling at The Ohio State University where he received his Bachelor of Science degree in agricultural education in 1951. A Master of Science degree in agricultural education was secured from The Ohio State University on March 14, 1975.

Mr. Dixon joined the faculty of The Ohio State University as County Extension Agent, 4-H, in Pike County on April 1, 1968. He became County Extension Agent, Agriculture, in Pike County on February 1, 1969, the position which he held at the time of his death. Mr. Dixon had served as vocational agriculture teacher at Waverly and Piketon, Ohio, for a total of 17 years prior to joining the Extension faculty.

Mr. Dixon gave aggressive leadership to various Extension programs in Pike County including the agronomy, beef and rapid adjustment farm program. He was a highly respected and dedicated agricultural educator

March 5, 1976 meeting, Board of Trustees

RESOLUTIONS IN MEMORIAM (continued)

B. Paul J. Dixon (continued)

for the Extension Service and was both well known and respected among his peers on the Extension faculty and by the clientele in Pike County.

On behalf of the University community, the Board of Trustees expresses to the family of Mr. Dixon its deepest sympathy. It was directed that this resolution be inscribed in the minutes of the Board of Trustees and that a copy be tendered to the family as a sincere expression of the Board's heartfelt sympathy.

C. Harold P. Fawcett

The Board of Trustees of The Ohio State University expresses its sorrow upon the death January 5, 1976, of Harold P. Fawcett, Professor Emeritus in the College of Education.

Born in Upper Sackville, in New Brunswick, Canada, on July 20, 1894, Dr. Fawcett received his Bachelor of Arts degree from Mount Allison University in New Brunswick. After three years of high school teaching he joined the American Expeditionary Forces in France; then, at the close of World War I, he returned to teaching and to graduate studies at Columbia University. He earned both the Master's and Doctoral degrees from Columbia University.

With his appointment in 1932 as Assistant Professor at Ohio State University, Dr. Fawcett began a career at the University School that gained him national prominence. His teaching of "Nature of Proof," using Grade 10 Geometry as the vehicle, is chronicled in the 13th Yearbook of the National Council of Teachers of Mathematics. Among his many publications, this one stands out as a classic in the field of Education.

Dr. Fawcett moved through broadened responsibilities, teaching mathematics and teacher of mathematics, to Chairman of the Department of Education in 1948. From 1956 until retirement on August 31, 1964, he was involved again as a teacher of teachers, and as advisor to a select group of doctoral students who proudly carry on the Fawcett mission.

His 32 years at Ohio State were interrupted only by brief periods serving as Visiting Professor at Northwestern, Columbia, Wisconsin, Virginia, and Michigan. In 1958-60 he was President of the National Council of Teachers of Mathematics. He served his community in many ways, especially as an active member of Maple Grove United Methodist Church. In each of his many roles he became, to people he contacted, the personification of the abstraction "teacher"; and so he left, to all of us, a vision of a reach that exceeds our grasp.

On behalf of the University community, the Board of Trustees expresses to the family of Harold P. Fawcett its deepest sympathy. It was directed

March 5, 1976 meeting, Board of Trustees

RESOLUTIONS IN MEMORIAM (continued)

C. Harold P. Fawcett (continued)

that this resolution be inscribed in the minutes of the Board of Trustees and that a copy be tendered to his family as a sincere expression of sympathy and respect.

D. Ralph Waterbury Powell

The Board of Trustees of The Ohio State University expresses its great sorrow upon the death on January 30, 1976, of Ralph W. Powell, Professor Emeritus in the Department of Engineering Mechanics. Professor Powell was retired on June 30, 1957, at the age of 67 after a 30-year teaching career at the University.

Professor Powell held degrees from Michigan State University, Cornell University, and Yale University. He was a member of Tau Beta Pi, Sigma Xi, and numerous professional societies. He taught for eleven years at Yale-in-China and held Visiting Professorships at the State University of Iowa and the University of Kansas. His professional experience included work for the U. S. Corps of Engineers and the Muskingum Watershed Conservancy District.

Professor Powell was recognized internationally as an authority in the field of hydraulics and his research and publications continued for many years after his retirement. He was the author of approximately one hundred papers in the United States and foreign journals, plus many reviews and technical notes.

Professor Powell was one of the founders of the Rocky Mountain Hydraulic Laboratory and served as its Secretary. From 1946 until a few years before his death his summers were spent there conducting research, largely on open channel flow.

On behalf of the University, the Board of Trustees expresses to the family its deepest sympathy in its loss. It was directed that this resolution be inscribed upon the minutes of the Board of Trustees and that a copy be tendered to the family as an expression of the Board's heartfelt sympathy.

E. Daisy Johnson Secrest

The Board of Trustees of The Ohio State University expresses its sorrow upon the death on November 25, 1975, of Mrs. Daisy Johnson Secrest, County Extension Agent Emeritus.

Mrs. Secrest was born May 9, 1911, at Redoak, Virginia. She was graduated from Wylliesburg High School in Wylliesburg, Virginia, in 1928. A bachelor of science degree in home economics was received

March 5, 1976 meeting, Board of Trustees

RESOLUTIONS IN MEMORIAM (continued)

E. Daisy Johnson Secrest (continued)

from Radford State Teacher's College at Radford, Virginia, in 1940. Additional education with credit towards a master of science degree was secured from the University of Arkansas.

Mrs. Secrest joined the faculty of The Ohio State University as a County Extension Agent, Home Economics, in Carroll County on May 1, 1961. She transferred as County Extension Agent, Home Economics, in Noble County on January 16, 1969, from which position she retired on May 31, 1971. Mrs. Secrest also had 19 years of Extension experience in Virginia.

Mrs. Secrest was a dedicated and highly respected home economics educator for the Extension Service. She was well known and respected among her peers on the Extension faculty and served the University in a commendable fashion. Mrs. Secrest received the Distinguished Service Award from the National Association of Extension Home Economists in October of 1969. Among her many outstanding accomplishments were the efforts related to community beautification.

On behalf of the University community, the Board of Trustees expresses to the family of Mrs. Secrest its deepest sympathy. It was directed that this resolution be inscribed in the minutes of the Board of Trustees and that a copy be tendered to the family as a sincere expression of sympathy and respect.

F. Royall H. Snow

The Board of Trustees of The Ohio State University expresses its sorrow upon the death February 2, 1976, of Royall H. Snow, Associate Professor Emeritus in the Department of English.

Born in Chicago, Illinois, on January 21, 1898, Professor Snow received undergraduate degrees from Harvard and from Oxford, which he attended as a Rhodes Scholar. Prior to his appointment at Ohio State, he taught at Dalhousie University and Washington and Jefferson College.

Professor Snow was appointed Assistant Professor of English at The Ohio State University in 1928 and served this University until his retirement in 1963. He was instrumental in developing the honors program of the College of Arts and Sciences during the 1930's, and he was for a number of years involved in the selection of Rhodes Scholars. He also served as fencing coach at this University. Professor Snow published a number of articles on poetry of the Romantic period and was the author of a biography of Thomas Lovell Beddoes.

RESOLUTIONS IN MEMORIAM (continued)

F. Royall H. Snow (continued)

On behalf of the University community, the Board of Trustees expresses to the family of Royall H. Snow its deepest sympathy. It was directed that this resolution be inscribed in the minutes of the Board of Trustees and that a copy be tendered to his family as a sincere expression of sympathy and respect.

G. Gertrude M. Walsh

The Board of Trustees of The Ohio State University expresses its great sorrow upon the untimely death on January 25, 1976, of Gertrude M. Walsh, Instructor Emeritus in the Department of Romance Languages.

Miss Walsh joined the Department in September 1920 and was made Instructor in 1925, an appointment she retained until September 1944, at which time she retired with the title of Instructor Emeritus.

Gertrude M. Walsh was a superb teacher of the Spanish language and interpreter of Latin American culture for many years in the Department of Romance Languages. The superior quality of her early teaching at North High School in Columbus became evident through the performance of her students at Ohio State and elsewhere. As a result, she was invited to join the Department at Ohio State and continued her teaching for many years. She contributed in many ways to the development of the American Association of Teachers of Spanish and Portuguese, holding offices in that organization at both the state and national levels. She published a very popular collection of Spanish American short stories which served as a text both at Ohio State and throughout the nation. Her publications were largely devoted to the teaching of Spanish and Hispanic culture. The influence of her enthusiastic dedication to these subjects was carried from the University by the hundreds of students who studied in her classes over the decades she taught at the University.

On behalf of the University, the Board of Trustees expresses to the family its deepest sympathy in its loss. It was directed that this resolution be inscribed upon the minutes of the Board of Trustees and that a copy be tendered to the family as an expression of the Board's heartfelt sympathy.

\*

\*

\*

RESOLVED: That the Board of Trustees adopt the following resolutions:

March 5, 1976 meeting, Board of Trustees

I. GENERAL RECOMMENDATIONS

A. Addition of Two New Rules to Rules of the University Faculty--Rule 29.2736 and Rule 49.09

WHEREAS the Committee on Public Safety has been in "quasi-operation" since 1973, though it has not been established by a Rule of the University Faculty nor as a committee of the University Senate; and

WHEREAS the report filed by the 1974-75 members of the Public Safety Committee stated that the original broad charge to the committee was unnecessary; and

WHEREAS there is a need to provide a forum to receive recommendations, grievances, criticisms, and other testimony about the public safety program of the University; and

WHEREAS the University Senate in Regular Meeting on February 14, 1976, has recommended enactment of new Rule 29.2736, Committee on Public Safety: Therefore be it

RESOLVED, That the following Rule of the University Faculty be enacted:

29.2736. Committee on Public Safety.

Section 1. The Committee on Public Safety shall consist of ten members as follows:

- a. Two members of the University Faculty, nominated by the Faculty Membership of the Senate;
- b. Two Administrators nominated by the President;
- c. Two staff members appointed by the Vice President for Business and Administration;
- d. Two Undergraduate Students nominated by the Undergraduate Student Government;
- e. One Graduate Student nominated by the Council of Graduate Students; and
- f. One Professional Student nominated by the Inter-professional Council.

Section 2. The University Faculty, Administrator, Undergraduate Student, Graduate Student and Professional Student nominees shall be subject to confirmation by vote of the Senate. Faculty, Administration and Staff members shall serve for terms of two years, one of the two members in each category retiring each year. Student members shall serve for one-year terms. The Committee shall elect its own Chairperson who will serve in this capacity until replaced by election of another member.



March 5, 1976 meeting, Board of Trustees

I. GENERAL RECOMMENDATIONS (continued)

A. Addition of Two New Rules to Rules of the University Faculty--Rule 29.2736 and Rule 49.09 (continued)

29.2736. Committee on Public Safety. (continued)

Section 3. The Committee on Public Safety shall be responsible for making recommendations, and for hearing grievances, criticism and other testimony, pertaining to the public safety program of the University. The University Ombudsman shall refer matters of wide concern relative to the public safety program to the Committee on Public Safety for its consideration.

Section 4. The Committee on Public Safety shall hold at least one annual open hearing to receive information from interested persons with concerns about the public safety program and shall report to the University Senate at least once each year.

- o -

WHEREAS since 1962 the University has followed certain guidelines in the granting of degrees with honors designations, summa cum laude, cum laude and with distinction in (name of discipline); and

WHEREAS these guidelines were not incorporated into the Rules of the University Faculty; and

WHEREAS there is need to have uniform application of minimum standards for degrees granted with honors designations in all disciplines of the University; and

WHEREAS the University Senate in Regular Meeting on February 14, 1976, has recommended enactment of new Rule 49.09, Standards for Honors at Graduation, and recommended a program for implementation of the new Rule: Therefore be it

RESOLVED, That the new Rule of the University Faculty be enacted:

49.09. Standards for Honors at Graduation.

Section 1. Degrees cum laude and summa cum laude may be granted for exceptional achievement in the curriculum of each enrollment unit as judged by that unit in terms of its own standards providing that the number of students accorded these honors does not exceed 10.0%, and that the number of students accorded summa cum laude does not exceed 3.0%, of the graduating classes of the enrollment unit and that eligibility for these honors be based on a minimum of 90 credit hours of work at this University.

March 5, 1976 meeting, Board of Trustees

I. GENERAL RECOMMENDATIONS (continued)

A. Addition of Two New Rules to Rules of the University Faculty--Rule 29.2736 and Rule 49.09 (continued)

49.09. Standards for Honors at Graduation. (continued)

Section 2. Standards for graduation with distinction in [special subject(s)] and with honors in [ ] shall be as adopted by the Council on Academic Affairs.

Section 3. Beyond these minimal requirements the enrollment units may establish additional stipulations for graduation cum laude and summa cum laude.

- o -

and be it further

RESOLVED, That Rule 49.09 be effective immediately upon approval by the Board of Trustees, but subject to the provision that the Council on Academic Affairs be empowered to grant exceptions for those enrollment units which can demonstrate that immediate implementation would create a genuine hardship, with the understanding that the stipulations of this rule would apply fully to students graduating Summer Quarter, 1977, and thereafter.

Upon motion of Mr. Harrod, seconded by Dr. Jacob, the Board of Trustees adopted the foregoing resolution by unanimous roll call vote.

B. Revision of Rules 37.03, 37.05, 37.09, 35.07, 47.03 and 49.03 of Rules of the University Faculty

WHEREAS the revision of certain Rules of the University Faculty are companion to the revision of Rule 35.07 as approved by the Board of Trustees on July 11, 1975; and

WHEREAS together these revised Rules will permit the use of a course marking system having significantly closer credit point intervals than provided by the present system, which allows credit points only for the grades A, B, C, D, E: Therefore be it

RESOLVED, That Rules 37.03, 37.05, 37.09, 35.07, 47.03 and 49.03 of Rules of the University Faculty be revised to conform with the revised grading practices previously authorized by this Board.

Upon motion of Mr. Harrod, seconded by Dr. Jacob, the Board of Trustees adopted the foregoing resolution by unanimous roll call vote.

Revision of Rules of the University Faculty--37.03, 37.05,  
37.09, 35.07, 47.03, and 49.03

37.03. Credit Points.

Section 1. Credit points shall be assigned on the following basis:

- |                                |                                    |
|--------------------------------|------------------------------------|
| a. For each credit hour of A,  | 4.0 credit points shall be allowed |
| b. For each credit hour of A-, | 3.7 credit points shall be allowed |
| c. For each credit hour of B+, | 3.3 credit points shall be allowed |
| d. For each credit hour of B,  | 3.0 credit points shall be allowed |
| e. For each credit hour of B-, | 2.7 credit points shall be allowed |
| f. For each credit hour of C+, | 2.3 credit points shall be allowed |
| g. For each credit hour of C,  | 2.0 credit points shall be allowed |
| h. For each credit hour of C-, | 1.7 credit points shall be allowed |
| i. For each credit hour of D+, | 1.3 credit points shall be allowed |
| j. For each credit hour of D,  | 1.0 credit points shall be allowed |
| k. For each credit hour of E,  | 0.0 credit points shall be allowed |

Section 2. All other marks (see Rule 35.07) carry no credit points.

37.05. Point-Hour Ratio.

Section 1. The point-hour ratio of a student shall be computed by dividing the sum of the applicable number of credit hours (as defined in Section 2) in which the marks A, A-, B+, B, B-, C+, C, C-, D+, D, or E have been given into the sum of the credit points (see Rule 37.03) assigned for such hours.

(Remainder of 37.05 unchanged)

37.09. Repetition of Courses.

Section 1. An undergraduate student who has received a mark of D+, D or E for courses taken during . . .

Section 2. An undergraduate student (other than a freshman) or a professional student, as defined in Rule 41.03, who has received a mark of D+ or D in a course at this University may repeat the course for credit only upon the recommendation of the authorized representative of the Dean or Director of his enrollment unit. A graduate student, as defined in Rule 41.03, may, when approval is given by his advisor, repeat for credit any course in which he has received a mark of D+ or D.

Section 3. An undergraduate or professional student, as defined in Rule 41.03, who has received a mark of A, A-, B+, B, B-, C+, C, C- or Pass in a course at this University or elsewhere may repeat the course only as an auditor, upon receipt of permission by the Chairman of the Department and the authorized representative of the Dean or Director of his enrollment unit. A graduate student, as defined in Rule 41.03, may, after a period of five years, and when approval is given by the Graduate Committee of his Department and the Dean of the Graduate School, repeat for credit a course in which he has received a mark of A, A-, B+, B, B-, C+, C or C-.

(Remainder of 37.09 unchanged)

Revision of Rules of the University Faculty--37.03, 37.05,  
37.09, 35.07, 47.03, and 49.03 (continued)

35.07. Marks.

(Remove hyphens immediately preceding the description of the A, B, C, D and E mark categories because, particularly in the case of the D and E descriptions, such figures are easily confused with a "minus" designation when no such "minus" grades are provided for these categories.)

PA/NP. Pass/Non-Pass.

Section 6. The grade Pass (PA) is the equivalent of the grades A, A-, B+, B, B-, C+, C, C-, D+ and D, and the grade Non-Pass (NP) is the equivalent of the grade E.

(Remainder of 35.07 unchanged)

47.03. Minimum Scholastic Requirements.

Section 3. . . . for which calculable grades (A, A-, B+, B, B-, C+, C, C-, D+, D or E) were given.

49.03. Requirements for an Undergraduate Degree.

- c. . . . Credit hours are considered as "satisfactorily completed" only if the student has received, at this University, the mark A, A-, B+, B, B-, C+, C, C- D+, D, EM, K, S, or PA in those hours (see Rule 35.07).
- d. Have earned credit points (see Rule 37.03) totaling at least twice the number of credit hours attempted at this University for which calculable grades (A, A-, B+, B, B-, C+, C, C-, D+, D or E) were given.

(Remainder of 49.03 unchanged)

March 5, 1976 meeting, Board of Trustees

I. GENERAL RECOMMENDATIONS (continued)

C. Budget Summary--Second Quarter 1975-1976 Report  
(Quarter Ended December 31, 1975)

WHEREAS the current funds budget for 1975-1976 as approved by the Board of Trustees at the meeting July 11, 1975, was based on projected revenues and expenditures for the year; and

WHEREAS the revised budget as presented for the second quarter report indicates some change in the estimated revenues and expenditures in several categories of restricted funds; viz., federal funds are increased as is hospital income, housing occupancy levels exceed earlier estimates and so those revenues and expenditures are up, several new and expanded programs have also generated additional revenues, gift income is higher than earlier estimated, and a number of charges for merchandise and services have been increased to meet higher costs; and

WHEREAS there is no significant change in the pattern of expenditures from the budget approved earlier by this Board: Therefore be it

RESOLVED, That the revised budget for the second quarter as presented be approved.

Upon motion of Mr. Devenow, seconded by Mr. Hilliker, the Board of Trustees adopted the foregoing resolution by unanimous roll call vote.

D. Degrees and Certificates Conferred--Winter Quarter Commencement

WHEREAS pursuant to Article VI, Section 5, of the Bylaws of the Board of Trustees of The Ohio State University, the Board has authority for the issuance of degrees and certificates; and

WHEREAS the faculty of the colleges and schools shall transmit said graduating senior lists to the University Senate, in accordance with Rule 49.01 of the Rules of the University Faculty, for approval by the Board of Trustees: Therefore be it

RESOLVED, That the degrees and certificates be conferred on March 19, 1976, to those students who have completed the requirements for their respective degrees and certificates and are recommended by the University Senate and that the names of those awarded degrees and certificates be included in the minutes of this meeting. (See Appendix IV, page 453.)

Upon motion of Mr. Devenow, seconded by Mr. Harrod, the Board of Trustees adopted the foregoing resolution by unanimous roll call vote.

TABLE I

THE OHIO STATE UNIVERSITY  
1975-76 Current Funds Budget  
Budgeted Expenditures for the 1975-76 Year

	Budget Approved September 30, 1975	Revised Budget December 31, 1975
<hr/>		
Columbus Campus		
Instructional and General		
Departmental Instruction and Research	\$116,542,000	\$117,508,000
Instructional Services	2,595,000	2,615,000
Libraries	6,247,000	6,254,000
Student Services	5,583,000	5,549,000
Plant Operation	20,405,000	20,737,000
Institutional Expense	<u>10,355,000</u>	<u>10,371,000</u>
Total Instructional and General	\$161,727,000	\$163,034,000
Sponsored Research		
Research Foundation	\$ 18,629,000	\$ 18,290,000
Engineering Experiment Station	2,234,000	2,234,000
Research Administration	1,810,000	1,860,000
University Sponsored Research	1,866,000	1,865,000
Other Grants and Contracts	<u>2,338,000</u>	<u>2,181,000</u>
Total Sponsored Research	\$ 26,937,000	\$ 26,430,000
Public Service		
University Hospitals	\$ 63,655,000	\$ 67,997,000
Cooperative Extension Service	15,138,000	15,349,000
Other Grants and Contracts	11,613,000	13,271,000
University Sponsored Programs	2,114,000	2,113,000
Conferences	<u>1,650,000</u>	<u>1,650,000</u>
Total Public Service	\$ 94,170,000	\$100,330,000
Student Aid		
Scholarships, Fellowships, and Loans	\$ 8,712,000	\$ 10,008,000
Fee Remissions	<u>694,000</u>	<u>694,000</u>
Total Student Aid	\$ 9,406,000	\$ 10,702,000

Budgeted Expenditures for the 1975-76 Year (continued)

	Budget Approved September 30, 1975	Revised Budget December 31, 1975
Columbus Campus (continued)		
Auxiliaries		
Student Housing	\$ 16,244,000	\$ 16,659,000
Intercollegiate Athletics	6,322,000	6,620,000
University Bookstores	3,716,000	3,954,000
Food Facility	3,370,000	3,506,000
Facilities Services	2,545,000	2,543,000
Parking Facilities and Transportation	2,235,000	2,335,000
Student Health Service	1,792,000	1,823,000
Meat Laboratory	1,570,000	1,700,000
Student Unions	1,678,000	2,032,000
University Airport	1,556,000	1,555,000
Laundry	1,264,000	1,305,000
Fawcett Center for Tomorrow	1,318,000	1,317,000
Other	1,040,000	1,053,000
Total Auxiliaries	\$ 44,650,000	\$ 46,402,000
Total Columbus Campus	\$336,890,000	\$346,948,000
Regional Campuses		
Administration*	\$ 252,000	\$ 238,000
Lima Campus	1,980,000	1,925,000
Mansfield Campus	2,005,000	2,022,000
Marion Campus	1,208,000	1,273,000
Newark Campus	1,605,000	1,609,000
Agricultural Technical Institute	1,354,000	1,356,000
Wright Patterson Graduate Center	225,000	225,000
Total Regional Campuses	\$ 8,629,000	\$ 8,648,000
Grand Total	<u>\$345,519,000</u>	<u>\$355,596,000</u>

---

\*Includes two programs totalling slightly over \$100,000 previously reported in individual regional campus budgets and represents an accounting/reporting change.

TABLE II

THE OHIO STATE UNIVERSITY  
1975-76 Current Funds Budget  
Sources of Income to Support the 1975-76 Budget

	Budget Approved September 30, 1975	Revised Budget December 31, 1975
	<u>                    </u>	<u>                    </u>
Columbus Campus		
Government Appropriations		
State of Ohio	\$110,823,000	\$110,745,000
Federal	<u>42,327,000</u>	<u>45,074,000</u>
Subtotal	\$153,150,000	\$155,819,000
Student Fees		
Instructional and General	\$ 48,100,000	48,100,000
Room and Board	<u>13,434,000</u>	<u>13,747,000</u>
Subtotal	\$ 61,534,000	\$ 61,847,000
Recovered Costs	\$ 6,410,000	\$ 6,460,000
Other Income		
Auxiliary Sales and Charges	\$ 80,754,000	\$ 86,387,000
Department and University Services	19,513,000	19,896,000
Endowment Income	2,420,000	2,730,000
Gifts and Grants	10,965,000	11,380,000
Temporary Investments	2,000,000	2,000,000
Other	<u>111,000</u>	<u>461,000</u>
Subtotal	\$115,763,000	\$122,854,000
Total Columbus Campus	\$336,857,000	\$346,980,000
Regional Campuses		
Lima Campus	\$ 2,037,000	\$ 2,032,000
Mansfield Campus	2,147,000	2,098,000
Marion Campus	1,281,000	1,332,000
Newark Campus	1,655,000	1,676,000
Agricultural Technical Institute	1,376,000	1,385,000
Wright Patterson Graduate Center	<u>225,000</u>	<u>225,000</u>
Total Regional Campuses	\$ 8,721,000	\$ 8,748,000
Grand Total	<u>\$345,578,000</u>	<u>\$355,728,000</u>

\*Includes two programs totalling slightly over \$100,000 previously reported in individual regional campus budgets and represents an accounting/reporting change.



March 5, 1976 meeting, Board of Trustees

I. GENERAL RECOMMENDATIONS (continued)

E. Honorary Degree

WHEREAS the Committee on Honorary Degrees and the University Senate, pursuant to Rule 29.2727, have approved for recommendation to the Board of Trustees the awarding of the honorary degree, Doctor of Humane Letters, to Alex P. Haley: Therefore be it

RESOLVED, That said degree be awarded in accordance with the recommendation of the University Senate.

Upon motion of Mr. Devenow, seconded by Mr. Harrod, the Board of Trustees adopted the foregoing resolution by unanimous roll call vote.

\*

\*

\*

II. PERSONNEL ACTIONS

RESOLVED, That the personnel actions as recorded in the "Salary Roll" of the University since the January 9, 1976, meeting of the Board, including the following Appointments, Leaves of Absence Without Salary, and Emeritus Titles be approved.

Upon motion of Mr. Devenow, seconded by Dr. Sirak, the Board of Trustees adopted the foregoing resolution by unanimous roll call vote, and the Secretary was instructed to file these changes in the "Salary Roll," an official document of the University.

A. Appointments

Lena M. Bailey from Associate Professor and Acting Chairperson, Department of Home Economics Education, to Associate Professor and Chairperson, Department of Home Economics Education, at a salary of \$24,888 per annum, effective March 1, 1976.

Daniel T. Hughes from Associate Professor, Department of Anthropology, to Professor and Chairman, Department of Anthropology, at a salary of \$24,168 per annum, effective October 1, 1976.

Edward J. Ray from Associate Professor, Department of Economics, to Associate Professor and Chairman, Department of Economics, effective July 1, 1976, at a salary of \$2,325 for Summer Quarter and \$23,208 per annum, effective October 1, 1976.

March 5, 1976 meeting, Board of Trustees

II. PERSONNEL ACTIONS (continued)

A. Appointments (continued)

Claribel M. Taylor from Professor and Acting Chairperson, Department of Family Relations and Human Development, to Professor and Chairperson, Department of Family Relations and Human Development, at a salary of \$24,360 per annum, effective March 1, 1976. Dr. Taylor will continue as Professor (part time - 10 per cent) at the Ohio Agricultural Research and Development Center.

B. Leaves of Absence Without Salary

John C. Burnham, Professor, Department of History, effective April 1, 1976 through September 30, 1976, to continue work under a research grant from the National Library of Medicine.

Melvin N. Greenball, Professor, Academic Faculty of Accounting, effective January 1, 1976 through March 31, 1976, to accept a faculty residency with Arthur Anderson & Co., CPA.'s.

Arnold E. Ross, Professor, Department of Mathematics, effective January 1, 1976 through January 31, 1976, to attend AAMT Conference in Perth, Australia.

Giacomo A. Sani, Professor, Department of Political Science, effective January 1, 1976 through March 31, 1976, to work on an international project under a grant from the Earhart Foundation.

Daniel B. Hodge, Associate Professor, Department of Electrical Engineering, effective February 16, 1976 through June 30, 1976, to serve as a consultant at J. Strickland, Communications Research Center, Ottawa, Canada.

James P. McNaul, Associate Professor, Academic Faculty of Management Science, effective January 1, 1976 through September 30, 1976, to accept a NIMH postdoctoral fellowship from Stanford University.

March 5, 1976 meeting, Board of Trustees

II. PERSONNEL ACTIONS (continued)

B. Leaves of Absence Without Salary (continued)

Donald S. Van Meter, Associate Professor, Department of Political Science, effective October 1, 1976 through March 31, 1977, to serve as a policy analyst/planner in the Office of the Attorney General of Ohio.

Sally Ebling, Assistant Professor, Cooperative Extension Service, effective March 22, 1976 through April 4, 1976, for personal reasons.

Vivian Steahly, Assistant Professor, Lima Regional Campus, effective January 1, 1976 through March 31, 1976, for personal reasons.

Clifford B. Hallam, Instructor, Division of Comparative Literature, effective October 1, 1976 through September 30, 1977, to pursue his Ph.D. degree program.

Mary F. Martin, Instructor, Cooperative Extension Service, effective February 1, 1976 through March 21, 1976, for personal reasons.

C. Emeritus Titles

R. Richard Howard, Cooperative Extension Service, with the title Associate Professor Emeritus, effective February 1, 1976.

Lawrence A. Larrimer, College of Dentistry, with the title Associate Professor Emeritus, effective January 1, 1976.

\*

\*

\*

March 5, 1976 meeting, Board of Trustees

III. REPORT OF RESEARCH CONTRACTS, GRANTS, GIFTS, AND AGREEMENTS

WHEREAS the University solicits and receives monies from governmental, industrial and other agencies essential to the support of research, instructional activities and service; and

WHEREAS gifts and grants are received through the Office of Business and Administration, The Ohio State University Research Foundation, the Engineering Experiment Station, and The Ohio State University Development Fund: Therefore be it

RESOLVED, That the monies received during December 1975 and January 1976 and so reported on the following pages be accepted.

Upon motion of Mr. Harrod, seconded by Mr. Hilliker, the research agreements between The Ohio State University and The Ohio State University Research Foundation for the contracts and grants reported herein, and the acceptance of the report from the Office of Business and Administration and The Ohio State University Development Fund, including the establishment of named funds, was approved by unanimous roll call vote.

March 5, 1976 meeting, Board of Trustees

III. REPORT OF RESEARCH CONTRACTS, GRANTS, GIFTS, AND AGREEMENTS  
(continued)

SECOND QUARTER SUMMARY  
(October 1, 1975 - December 31, 1975)

OFFICE OF BUSINESS AND ADMINISTRATION

	Number of Projects	Level of Support	% Change from 1974-75
<u>Federal</u>			
Student Programs	--	--	(100)
Training Grants	<u>6</u>	<u>\$ 55,071.00</u>	<u>(95)</u>
Total - Federal	6	\$ 55,071.00	(95)
<u>State of Ohio</u>	8	57,188.23	(88)
<u>Industrial and Other</u>	<u>14</u>	<u>525,053.70</u>	<u>1</u>
Totals	28	\$ 637,312.93	(70)

THE OHIO STATE UNIVERSITY RESEARCH FOUNDATION

	Number of Projects	Level of Support	% Change from 1974-75
<u>Federal</u>			
Energy Research and Develop- ment Administration*	3	\$ 408,264.00	307
National Aeronautics and Space Administration	4	273,998.00	357
National Science Foundation	11	462,500.00	(37)
Department of Defense	15	676,225.00	31
Health, Education, and Welfare	15	1,665,490.00	(15)
Other Federal	<u>6</u>	<u>229,837.00</u>	<u>(2)</u>
Total Federal	54	\$3,716,314.00	3
<u>State of Ohio</u>	5	90,243.00	36
<u>Industrial, Private, and Other</u> <u>Non-Federal Sponsors</u>	<u>20</u>	<u>203,630.00</u>	<u>(68)</u>
Totals	79	\$4,010,187.00	(7)

\*Compared with amount of support received from U. S. Atomic Energy Commission in Fiscal Year 1974-1975.

March 5, 1976 meeting, Board of Trustees

III. REPORT OF RESEARCH CONTRACTS, GRANTS, GIFTS, AND AGREEMENTS  
(continued)

THE ENGINEERING EXPERIMENT STATION

	Number of Projects	Level of Support	% Change from 1974-75
<u>Federal</u>	3	\$ 21,600.00	73
<u>State</u>	4	90,541.00	169
<u>Industrial and Other</u>	<u>104</u>	<u>133,434.00</u>	<u>(26)</u>
Totals	111	\$ 245,575.00	9

THE OHIO STATE UNIVERSITY DEVELOPMENT FUND

	Number of Donors	Level of Support	% Change from 1974-75
<u>Annual Giving Group</u>	<u>11,734</u>	<u>\$ 295,604.80</u>	<u>20</u>
<u>Major Resources Group</u>			
Deferred Gifts	14	\$ 643,873.83	642
Major Individual Gifts	251	878,896.19	70
Corporate Gifts	171	667,054.51	79
Foundation and Non-Profit Organization Gifts	<u>131</u>	<u>600,479.78</u>	<u>(1)</u>
Total	<u>567</u>	<u>\$2,790,304.31</u>	<u>77</u>
Totals	12,301	\$3,085,909.11	69

March 5, 1976 meeting, Board of Trustees

III. REPORT OF RESEARCH CONTRACTS, GRANTS, GIFTS, AND AGREEMENTS  
(continued)

SUMMARY FOR DECEMBER 1975

	No. of Projects	Support Level
Office of Business and Administration	6	\$ 63,209.23
The Ohio State University Research Foundation	30	1,217,074.00
The Engineering Experiment Station	1	<u>7,045.00</u>
		\$1,287,328.23
The Ohio State University Development Fund	5,154 Donors	1,598,114.28

SUMMARY FOR JANUARY 1976

	No. of Projects	Support Level
Office of Business and Administration	11	\$ 395,954.00
The Ohio State University Research Foundation	29	1,804,767.75
The Engineering Experiment Station	4	<u>456,300.00</u>
		\$2,657,021.75
The Ohio State University Development Fund	1,647 Donors	291,194.79

March 5, 1976 meeting, Board of Trustees

III. REPORT OF RESEARCH CONTRACTS, GRANTS, GIFTS, AND AGREEMENTS  
(continued)

A. Office of Business and Administration

1. Federal Contract/Grant

- a. \$25,000.00 from Department of Health, Education, and Welfare, Public Health Service, National Institute of General Medical Sciences, Bethesda, Maryland, for Chromosome: Regulation, Organization, and Function, Development Award - Research Career Program, under the direction of Department of Microbiology, for period January 1, 1976 through December 31, 1976. (Grant No. 5 K04 GM70300-04)

2. State of Ohio Contracts/Grants

- a. \$25,000.00 from State of Ohio, Department of Education, Division of Special Education, Worthington, Ohio, for Media and Materials for the Handicapped, under the direction of Faculty for Exceptional Children, for period September 1, 1975 through August 31, 1976.
- b. \$7,900.00 from State of Ohio, Division of Vocational Education, Columbus, Ohio, for planning and monitoring regional meetings in four university centers dealing with career education in higher education, under the direction of Academic Faculty of Special Services, for period November 1, 1975 through June 30, 1976.
- c. \$1,300.00 from State of Ohio, Office of Attorney General, Columbus, Ohio, for a one-day training program for Ohio Peace Officer Training Academy instructors, under the direction of Center for Vocational Education.
- d. \$1,010.23 from Ohio Real Estate Commission, Division of Real Estate, Columbus, Ohio, for 100 additional copies of the Real Estate Principles and Practices I Instructor's Manual and 100 additional copies of the Real Estate Law Instructor's Manual, under the direction of Academic Faculty of Finance.

TOTAL - State of Ohio Contracts/Grants \$35,210.23

3. Industrial and Other Contract/Grant

- a. \$2,999.00 from J. C. Penney Company, Inc., New York, New York, for reviewing and analyzing the set of four criterion tests administered to approximately 400 Product Service Technicians, under the direction of Center for Vocational Education, for period December 1, 1975 through January 31, 1976.



March 5, 1976 meeting, Board of Trustees

III. REPORT OF RESEARCH CONTRACTS, GRANTS, GIFTS, AND AGREEMENTS  
(continued)

B. The Ohio State University Research Foundation

1. Federal Research Contracts/Grants

- a. \$345,000.00 from Energy Research and Development Administration, Argonne, Illinois, for High Energy Physics Studies (Experimental Portion), under the direction of Department of Physics, for period October 1, 1965 through August 31, 1976. (Project 2116 and 2116-A - Mod. #16)
- b. \$150,328.00 from Department of Health, Education, and Welfare, Public Health Service, National Institutes of Health, National Cancer Institute, Bethesda, Maryland, for Leukemia-Lymphoma Program, under the direction of Department of Medicine, for period November 1, 1975 through October 31, 1976. (Project 3982-A2 through E2 - Ext. #1)
- c. \$96,843.00 from Department of Health, Education, and Welfare, Public Health Service, National Institutes of Health, National Cancer Institute, Bethesda, Maryland, for Southwest Oncology Group, under the direction of Department of Medicine, for period January 1, 1976 through December 31, 1976. (Project 1094-R - Ext. #16)
- d. \$89,676.00 from Department of the Air Force, Air Force Office of Scientific Research, Bolling Air Force Base, D. C., for Diffusion Systems Having High Pressure Recovery for Radial Supersonic Flow, under the direction of Department of Aeronautical and Astronautical Engineering, for period December 1, 1975 through November 30, 1976. (Project 4336-A1 - New)
- e. \$52,000.00 from Department of the Air Force, Air Force Office of Scientific Research, Bolling Air Force Base, D. C., for Automatic Pattern Recognition in a Multisensor Environment, under the direction of Department of Electrical Engineering, for period January 1, 1976 through December 31, 1976. (Project 4331-A1 - New)
- f. \$50,000.00 from Department of the Air Force, Air Force Office of Scientific Research, Bolling Air Force Base, D. C., for Information Processing for Target Detection and Classification, under the direction of ElectroScience Laboratory, Department of Electrical Engineering, for period January 1, 1974 through December 31, 1976. (Project 3815-A1 - Mod. #AFOSR-74-2611B)
- g. \$49,106.00 from Energy Research and Development Administration, Argonne, Illinois, for Kinetics of Ionizing-Radiation Induced Reactions in Organic Compounds, under the direction of Department of Chemistry, for period December 1, 1975 through November 30, 1976. (Project 1398-J - Mod. #10)

March 5, 1976 meeting, Board of Trustees

III. REPORT OF RESEARCH CONTRACTS, GRANTS, GIFTS, AND AGREEMENTS  
(continued)

B. The Ohio State University Research Foundation (continued)

1. Federal Research Contracts/Grants (continued)

- h. \$40,000.00 from Department of Health, Education, and Welfare, Office of the Assistant Secretary for Planning and Evaluation, Washington, D. C., for Feasibility of Standardized Determination of Disability and Long-Term Care, under the direction of Mershon Center for Education in National Security. (Project 3968-A2 - Sup. #1)
- i. \$32,000.00 from National Science Foundation, Washington, D. C., for Effect of Structure on Rates of Equilibria, under the direction of Department of Chemistry, for period March 1, 1972 through February 28, 1977. (Project 3397-A1 - NSF letter dated 12/5/75)
- j. \$29,988.00 from Department of the Air Force, Rome Air Development Center, Griffiss Air Force Base, New York, for A Proposed Classification System to Augment Selective Dissemination of Information Profiles for the Central Information Reference and Control II System, under the direction of Department of Computer and Information Science, for period January 1, 1976 through December 31, 1976. (Project 4342-A1 - New)
- k. \$29,329.00 from Department of Health, Education, and Welfare, Public Health Service, National Institutes of Health, National Institute of General Medical Sciences, Bethesda, Maryland, for Drug-Receptor Related Stereoselectives, under the direction of College of Pharmacy, for period January 1, 1976 through December 31, 1976. (Project 3099-A5 - Ext. #4)
- l. \$27,516.00 from Department of Health, Education, and Welfare, Public Health Service, National Institutes of Health, National Institute of Neurological Communicative Diseases, Disorders and Stroke, Bethesda, Maryland, for The Role of the Red Nucleus in Motor Function, under the direction of Department of Anatomy, for period January 1, 1976 through December 31, 1976. (Project 2956-E - Ext. #5)
- m. \$27,313.00 from Department of Health, Education, and Welfare, Public Health Service, Food and Drug Administration, Rockville, Maryland, for Hydrophilic Colloid Interactions in Food, under the direction of Department of Food Science and Nutrition, for period December 1, 1975 through November 30, 1976. (Project 2037-K - Ext. #10)
- n. \$27,000.00 from Department of the Navy, Office of Naval Research, Arlington, Virginia, for Research on the Kinetics of Phase Changes on Solids, under the direction of Department of Metallurgical Engineering, for period December 15, 1974 through December 14, 1976. (Project 4098-A1 - Mod. #P00001)

March 5, 1976 meeting, Board of Trustees

III. REPORT OF RESEARCH CONTRACTS, GRANTS, GIFTS, AND AGREEMENTS  
(continued)

B. The Ohio State University Research Foundation (continued)

1. Federal Research Contracts/Grants (continued)

- o. \$19,634.00 from Environmental Protection Agency, National Environmental Research Center, Research Triangle Park, North Carolina, for Mechanisms of Photochemically Initiated Oxidations, under the direction of Department of Chemistry. (Project 1220-P - Mod. #2)
- p. \$15,973.00 from National Endowment for the Humanities, Washington, D. C., for Medieval Words and Music, under the direction of School of Music, for period April 1, 1976 through June 30, 1977. (Project 4339-A1 - New)
- q. \$10,000.00 from Department of Health, Education, and Welfare, Public Health Service, National Institutes of Health, National Cancer Institute, Bethesda, Maryland, for Research on Preparation of Polymers Containing Carcinogenic Moieties, under the direction of Department of Chemistry, for period January 11, 1974 through June 30, 1976. (Project 3870-A1 - Mod. #3)
- r. \$10,000.00 from Department of the Air Force, Air Force Systems Command, Division PPMNA, Wright-Patterson Air Force Base, Ohio, for Variable Camber Supercritical Airfoil for Advanced Transonic Wings, under the direction of Department of Aeronautical and Astronautical Engineering, for period June 16, 1975 through February 16, 1976. (Project 4203-A1 - Telecon dated 12/4/75)
- s. \$10,000.00 from Department of the Air Force, Electronic Systems Division, Air Force Systems Command, Hanscom Air Force Base, Massachusetts, for Analyzing and Studying Spectra of Radio Bursts, under the direction of Department of Electrical Engineering, for period January 15, 1976 through June 30, 1977. (Project 4345-A1 - New)
- t. \$600.00 from National Science Foundation, Washington, D. C., for Dissertation Research in Linguistics: An Experimental Phonetic Study of Phonological Interference in Cross-Dialect Borrowing, under the direction of Department of Linguistics, for period November 1, 1975 through July 31, 1976. (Project 4337-A1 - New)

TOTAL - Federal Research Contracts/Grants \$1,112,306.00

March 5, 1976 meeting, Board of Trustees

III. REPORT OF RESEARCH CONTRACTS, GRANTS, GIFTS, AND AGREEMENTS  
(continued)

B. The Ohio State University Research Foundation (continued)

2. State of Ohio Research Contracts/Grants

- a. \$15,170.00 from Ohio Department of Administrative Services, Office of Manpower Development, Columbus, Ohio, for The Transition to Comprehensive Employment Training Act in Ohio: An Analysis of Implementation, under the direction of Department of Political Science, for period December 1, 1974 through November 30, 1976. (Project 4088-A1 - Mod. #A)
- b. \$12,272.00 from The Ohio Program in the Humanities, Columbus, Ohio, for Poverty Welfare and Values: A Declaration of Interdependence, under the direction of College of Humanities, for period September 1, 1975 through March 31, 1976. (Project 4330-A1 - New)

TOTAL - State of Ohio Research Contracts/Grants \$27,442.00

3. Industrial, Private, and Other Non-Federal Research Contracts/Grants

- a. \$13,950.00 from The Regents of the University of Colorado, Denver, Colorado, for Subcontract from University of Colorado to The Ohio State University Research Foundation, under the direction of Department of Medicine, for period May 15, 1972 through June 30, 1976. (Project 3496-A1 - Mod. #3)
- b. \$12,000.00 from Illuminating Engineering Research Institute, New York, New York, for Studies of Visual Performance and Illumination, under the direction of Institute for Research in Vision, College of Biological Sciences, for period July 1, 1975 through June 30, 1976. (Project 885-A - Ext. #9)
- c. \$11,957.00 from Illuminating Engineering Research Institute, New York, New York, for Studies of Visual Performance and Illumination, under the direction of Department of Biophysics, for period July 1, 1975 through June 30, 1976. (Project 885 - Ext. #18)
- d. \$10,000.00 from The Deafness Research Foundation, New York, New York, for Tectorial Membrane-Sensory Cilia Relationship, under the direction of Department of Otolaryngology, for period January 1, 1976 through December 31, 1976. (Project 4344-A1 - New)

March 5, 1976 meeting, Board of Trustees

III. REPORT OF RESEARCH CONTRACTS, GRANTS, GIFTS, AND AGREEMENTS  
(continued)

B. The Ohio State University Research Foundation (continued)

3. Industrial, Private, and Other Non-Federal  
Research Contracts/Grants (continued)

- e. \$9,955.00 from The Deafness Research Foundation, New York, New York, for Clinical Posturography, under the direction of Department of Otolaryngology, for period January 1, 1976 through December 31, 1976. (Project 4092-A2 - Ext. #1)
- f. \$9,850.00 from Dairy Research, Inc., Rosemont, Illinois, for Psychotropic Sporeformers in Market Milk, under the direction of Department of Food Science and Nutrition, for period January 1, 1976 through December 31, 1976. (Project 4096-A1 - Agreement dated 12/22/75)
- g. \$7,014.00 from Battelle Columbus Laboratories, Durham Operations, Durham, North Carolina, for Evaluation of a Tactual Display Device with an Adaptive Loading Method, under the direction of Department of Aviation, for period September 18, 1975 through February 29, 1976. (Project 4320-A1 - New)
- h. \$2,600.00 from General Electric Corporation, Aircraft Engine Group, Evendale, Ohio, for The Calibration of a Six-Element Total Pressure Probe, under the direction of Department of Aeronautical and Astronautical Engineering, for period December 16, 1975 through January 1, 1976. (Project 4343-A1 - New)

TOTAL - Industrial, Private, and Other Non-Federal  
Research Contracts/Grants \$77,326.00

C. The Engineering Experiment Station

1. Industrial and Other Research Contract

- a. \$7,045.00 from Koehring Road Division, Springfield, Ohio, for Sonic and Ultrasonic Compaction of Bituminous Materials, under the direction of Department of Engineering Mechanics, for period December 1, 1975 through May 30, 1976. (EES 531)

March 5, 1976 meeting, Board of Trustees

III. REPORT OF RESEARCH CONTRACTS, GRANTS, GIFTS, AND AGREEMENTS  
(continued)

D. The Ohio State University Development Fund

1. Gifts of \$5,000 or More

- a. \$250,500.00 from Mr. S. Robert Davis, Columbus, Ohio, for the College of Medicine Progress Fund.
- b. \$250,000.00 from The Andersons, Maumee, Ohio, as an unrestricted gift to the University.
- c. \$60,750.00 from Frank E. Gannett Newspaper Foundation, Inc., Rochester, New York--\$35,750.00 for a new project in the College of Social and Behavioral Sciences and \$25,000.00 for the Journalism Building Fund.
- d. \$60,545.51 from Consolidated Business Services, Inc., Columbus, Ohio, for the Department of Medicine General Fund.
- e. \$30,000.00 from The E. F. Wildermuth Foundation, Columbus, Ohio, for loans and scholarships in the College of Optometry.
- f. \$25,000.00 from The Bremer Foundation, Youngstown, Ohio, for the College of Medicine.
- g. \$25,000.00 from The Ford Foundation, New York, New York, for a new project to support professional studio training in the visual arts.
- h. \$20,000.00 from The Edward C. and Hazel L. Stephenson Foundation, Grosse Pointe Woods, Michigan, for their named scholarship fund.
- i. \$20,000.00 from Mr. John F. Moxley, Medina, Ohio, for his named fund in natural resources.
- j. \$20,000.00 from Mr. Richard M. Ross, Columbus, Ohio, for the Rinhart Collection.
- k. \$17,500.00 from the Estate of Arthur P. Grasser, Cleveland, Ohio, for a purpose to be designated at a later date.
- l. \$15,000.00 from The Kiplinger Foundation, Washington, D. C., for the Journalism Director's Special Fund.
- m. \$12,519.00 from The Ohio Electric Utility Institute, Columbus, Ohio, for their fellowship fund.
- n. \$12,000.00 from Photovolt Corporation, New York, New York, for a new research fund in the College of Pharmacy.

March 5, 1976 meeting, Board of Trustees

III. REPORT OF RESEARCH CONTRACTS, GRANTS, GIFTS, AND AGREEMENTS

(continued)

D. The Ohio State University Development Fund (continued)

1. Gifts of \$5,000 or More (continued)

- o. \$11,500.00 from W. K. Kellogg Foundation, Battle Creek, Michigan, for a new fund, Burn Program Fund, at University Hospital.
- p. \$10,000.00 from American Electric Power Service Corporation, New York, New York, for their fund in the College of Engineering.
- q. \$10,000.00 from City National Bank and Trust Company, Columbus, Ohio, (One State of Israel Twenty-Year 5.50% Dollar Bond, No. X AFDE 1476), for the University Activities Center.
- r. \$10,000.00 from Mr. John D. Kraus, Delaware, Ohio, for the Radio Telescope Research Fund.
- s. \$10,000.00 from Mrs. F. C. Machinsky (given in the name of Francis Machinsky), Columbus, Ohio, for the Student Athlete Grant-in-Aid Fund.
- t. \$8,600.00 from National Council of Physical Distribution Management, Inc., Chicago, Illinois, for the Logistics Research Fund.
- u. \$8,035.71 from the Estate of Grace B. Mavis, New Haven, Connecticut, as an unrestricted gift to the University.
- v. \$8,000.00 from E. I. du Pont de Nemours & Company, Wilmington, Delaware, for the Affirmative Action Program in Engineering.
- w. \$8,000.00 from James E. Chapman (given in the name of Anita E. Chapman), Cleveland, Ohio--\$5,000.00 for a purpose to be designated at a later date and \$3,000.00 for the Newton D. Baker Scholarship Fund.
- x. \$7,500.00 from Mr. James R. Riley, Worthington, Ohio, for his Professorship in Transportation and Logistics.
- y. \$7,193.79 from Ethel Woodbury Trust, Columbus, Ohio, for the O.S.U. Scholarship Fund.
- z. \$6,848.00 from the Melvin E. Moffitt Estate, San Antonio, Texas, for an unrestricted named memorial fund.
- aa. \$6,600.00 from Flavorland Industries, Inc., Omaha, Nebraska, for a new project to support a fellowship for graduate studies in meat-food waste engineering.

March 5, 1976 meeting, Board of Trustees

III. REPORT OF RESEARCH CONTRACTS, GRANTS, GIFTS, AND AGREEMENTS  
(continued)

D. The Ohio State University Development Fund (continued)

1. Gifts of \$5,000 or More (continued)

- bb. \$6,250.00 from The Babcock & Wilcox Company, Alliance, Ohio, for their fellowship fund in Metallurgical Engineering.
- cc. \$5,581.55 from Antique Show Receipts (given in the name of Josephine Failer), Columbus, Ohio, for a purpose to be designated at a later date.
- dd. \$5,450.00 from Hoffman-LaRoche, Inc., Nutley, New Jersey, for infectious disease research.
- ee. \$5,200.00 from Porthouse Foundation (given in the names of Roberta A. Benich, Mr. and Mrs. Cyril Porthouse and Mr. and Mrs. J. David Porthouse), Kent, Ohio, for the University Activities Center.
- ff. \$5,152.00 from Association of American Railroads, Washington, D. C., for a new fellowship project in the Department of Industrial and Systems Engineering.
- gg. \$5,000.00 from The Allstate Foundation, Hudson, Ohio, for their Nursing scholarship program.
- hh. \$5,000.00 from Amoco Foundation, Inc., Chicago, Illinois--\$3,000.00 for the Distinguished Teaching Awards and \$2,000.00 for the University Emergency Fund.
- ii. \$5,000.00 from Chevron Research Company, Richmond, California, for their fund in Metallurgical Engineering.
- jj. \$5,000.00 from Clow Foundation, Oak Brook, Illinois, for the Kurtz Chair in Endocrinology.
- kk. \$5,000.00 from The Duriron Company, Inc., Dayton, Ohio, for their Professorship in Metallurgical Engineering.
- ll. \$5,000.00 from Max M. & Marjorie S. Fisher Foundation, Inc., (given in the name of Max M. Fisher), Detroit, Michigan, for the Novice G. Fawcett Chair of Educational Administration.
- mm. \$5,000.00 from The Flickinger Memorial Trust, Inc., Lima, Ohio, for a new project, Vaughn Scott Hill Loan Fund, for Lima Campus.



March 5, 1976 meeting, Board of Trustees

III. REPORT OF RESEARCH CONTRACTS, GRANTS, GIFTS, AND AGREEMENTS  
(continued)

D. The Ohio State University Development Fund (continued)

1. Gifts of \$5,000 or More (continued)

- nn. \$5,000.00 from Ford Motor Company, Dearborn, Michigan, for a new project to be used by the Department of Welding Engineering to support the work in the area of welding engineering and non-destructive testing.
- oo. \$5,000.00 from General Electric Foundation, Bridgeport, Connecticut, for the Minority Assistance Program in the College of Administrative Science.
- pp. \$5,000.00 from Mr. James Nick Hahn, Bellevue, Ohio, for a new project, Wilbur H. Bruner Pork Industry Award, in the Department of Animal Science.
- qq. \$5,000.00 from Everett D. Reese Fund of the Columbus Foundation (given in the name of Thelka Shackelford), Columbus, Ohio, for the Harry E. LeFever Fund for Education in Neurological Surgery.
- rr. \$5,000.00 from Mr. Michael N. Vuchnich, Toronto, Ontario, as an undesignated gift to the University.

2. Gift-in-Kind

- a. A gift of a Sperry Stars Flight Directors System from Sperry Flight System, Phoenix, Arizona, for use in the Department of Aviation.

3. Establishment of Named Funds

- a. \$25,390.24 from the Katherine E. Parrett Trust of Washington Court House, Ohio, for the establishment of the Katherine E. Parrett Scholarship Fund.

Katherine E. Parrett Scholarship Fund

The Katherine E. Parrett Scholarship Fund was established March 5, 1976, by the Board of Trustees of The Ohio State University by a distribution to The Ohio State University Development Fund from the Katherine E. Parrett Trust of Washington Court House, Ohio.

The assets of the Katherine E. Parrett Scholarship Fund shall be invested in The Ohio State University's Permanent Endowment Fund, under the rules and regulations adopted by the Board of Trustees of The Ohio State University, with the right to invest and reinvest as the occasion dictates.

III. REPORT OF RESEARCH CONTRACTS, GRANTS, GIFTS, AND AGREEMENTS  
(continued)

D. The Ohio State University Development Fund (continued)

3. Establishment of Named Funds (continued)

a. Katherine E. Parrett Scholarship Fund (continued)

The assets of the Katherine E. Parrett Scholarship Fund shall be held and disbursed for the purposes stated in Item Twelve of the Will of Katherine E. Parrett which provides that the trust income be used:

. . . to assist worthy boys and/or girls, residents of Fayette County, Ohio, who are high school graduates and desire a college education but are financially unable to obtain said college education, to acquire such higher education.

The University Scholarship Committee shall select the students from Fayette County who will be granted scholarship assistance from the Katherine E. Parrett Scholarship Fund and shall determine the amount of each grant. Grants from the Katherine E. Parrett Scholarship Fund may be made out of income, corpus, or both. The trustees of the Katherine E. Parrett Trust will continue to grant scholarship aid out of the current income of the trust to students attending various colleges, including The Ohio State University, and may from time to time propose the names of students from Fayette County for consideration by the University Scholarship Committee in granting aid from the Katherine E. Parrett Scholarship Fund. It is contemplated that the University Scholarship Committee will award scholarship aid from the Katherine E. Parrett Scholarship Fund to qualified upper-class students from Fayette County presently and hereafter in attendance at The Ohio State University, in addition to the scholarship aid awarded by the Committee to incoming freshmen.

- b. \$10,000.00 from Mr. and Mrs. James G. Ayres for the establishment of The Mary Santo Memorial Scholarship Fund.

The Mary Santo Memorial Scholarship Fund

The Mary Santo Memorial Scholarship Fund was established March 5, 1976, by the Board of Trustees of The Ohio State University with a gift to The Ohio State University Development Fund from Mr. and Mrs. James G. Ayres, Toledo, Ohio, in memory of Mrs. Ayres' mother, Mary Santo.

III. REPORT OF RESEARCH CONTRACTS, GRANTS, GIFTS, AND AGREEMENTS  
(continued)

D. The Ohio State University Development Fund (continued)

3. Establishment of Named Funds (continued)

b. The Mary Santo Memorial Scholarship Fund (continued)

All gifts are to be invested in the University's Permanent Endowment Fund under the rules and regulations adopted by the Board of Trustees of The Ohio State University, with the right to invest and reinvest as occasion dictates.

The annual income is to be used to provide scholarship assistance for one or more students. First consideration will be given to students whose names have been submitted to the University Scholarship Committee by the Hungarian Reformed United Church of Christ, Columbus, Ohio, or its successor. If in any year the names of students submitted are not acceptable by University standards, the Chairman of the University Scholarship Committee will request additional names.

Should the need for this fund cease to exist or so diminish as to provide unused income, then the income may be used for any purpose whatsoever as determined by the Board of Trustees, with preference being given to recommendations from the appropriate administrative official of the University who is then directly responsible for scholarships.

- c. \$1,000.00 from James E. and Donna M. Savage for the establishment of The James E. and Donna M. Savage Scholarship Fund.

The James E. and Donna M. Savage Scholarship Fund

The James E. and Donna M. Savage Scholarship Fund was established March 5, 1976, by the Board of Trustees of The Ohio State University with a gift to The Ohio State University Development Fund from James E. Savage, B.S. Bus. Adm. '73, and Donna M. Savage, Columbus, Ohio.

All gifts are to be invested in the University's Permanent Endowment Fund under the rules and regulations adopted by the Board of Trustees of The Ohio State University, with the right to invest and reinvest as occasion dictates.

The annual income is to be added to the principal until the fund reaches \$10,000. At that time, the annual income is to be used to provide one or more undergraduate scholarships. The selection of the recipient(s) is to be made by the University Scholarship Committee. Students who have demonstrated academic ability and the need for financial assistance will be considered for this scholarship.

March 5, 1976 meeting, Board of Trustees

III. REPORT OF RESEARCH CONTRACTS, GRANTS, GIFTS, AND AGREEMENTS  
(continued)

D. The Ohio State University Development Fund (continued)

3. Establishment of Named Funds (continued)

c. The James E. and Donna M. Savage Scholarship Fund (continued)

Should the need for this fund cease to exist or so diminish as to provide unused income, then the income may be used for any purpose whatsoever as determined by the Board of Trustees, with preference being given to recommendations from the appropriate administrative official of the University who is then directly responsible for scholarships.

d. \$1,000.00 from Harold C. Miles for the establishment of The Harold C. Miles Graduate Fellowship.

The Harold C. Miles Graduate Fellowship

The Harold C. Miles Graduate Fellowship was established March 5, 1976, by the Board of Trustees of The Ohio State University with a gift to The Ohio State University Development Fund from Harold C. Miles, M.A. '59, University Heights, Ohio.

All gifts are to be invested in the University's Permanent Endowment under the rules and regulations adopted by the Board of Trustees of The Ohio State University, with the right to invest and reinvest as occasion dictates.

The annual income is to be added to the principal until the fund reaches \$10,000. At that time, the income is to be used to provide fellowship support of a student enrolled in the Graduate School. First preference is to be given to students majoring in Early and Middle Childhood Education (or by whatever name an equivalent unit is identified due to any departmental restructuring). The selection of the recipient(s) is to be made by the Graduate Fellowship Committee.

Should the need for the fellowship cease to exist or so diminish as to provide unused income, then the income may be used for any purpose whatsoever as determined by the Board of Trustees, with preference being given to the recommendations from the appropriate administrative official of the University who is then directly responsible for Graduate Education.

III. REPORT OF RESEARCH CONTRACTS, GRANTS, GIFTS, AND AGREEMENTS  
(continued)

E. Office of Business and Administration

1. Federal Contracts/Grants

- a. \$225,643.00 from Department of the Air Force, 2750th Air Base Wing - PMA, Special Procurement Branch, Building 2, Area C, Wright-Patterson Air Force Base, Ohio, for support of the graduate education program at Wright-Patterson Air Force Base, under the direction of Graduate School, for period September 15, 1975 through September 14, 1976. (Contract No. F33600-76-C-0422)
- b. \$20,902.00 from Department of Health, Education, and Welfare, Public Health Service, Health Resources Administration, Bureau of Health Manpower, Bethesda, Maryland, for Health Professions Student Loans - Baccalaureate Degree, under the direction of School of Nursing, for period July 1, 1975 through June 30, 1976. (I. D. No. 05L390029-76; Former No. B 7 45 0430 15 1)
- c. \$1,743.00 from Department of Health, Education, and Welfare, Public Health Service, Health Resources Administration, Bureau of Health Manpower, Bethesda, Maryland, for Health Professions Student Loans - Graduate Degree, under the direction of School of Nursing, for period July 1, 1975 through June 30, 1976. (I. D. No. 05L390068-76; Former No. G 7 45 0430 15 1)

TOTAL - Federal Contracts/Grants \$248,288.00

2. Industrial and Other Contracts/Grants

- a. \$39,179.00 from National Joint Painting, Decorating and Drywall Apprenticeship and Training Committee, Washington, D. C., for development and evaluation of apprenticeship capsule training courses, under the direction of Center for Vocational Education, for period February 1, 1976 through December 31, 1976.
- b. \$35,500.00 from Michigan State University, East Lansing, Michigan, for development of the Institute of Agriculture and Animal Sciences in Nepal (AID/NESA-C-1197), under the direction of College of Agriculture and Home Economics, Cooperative Extension Service, for period January 20, 1976 through January 19, 1978.

March 5, 1976 meeting, Board of Trustees

III. REPORT OF RESEARCH CONTRACTS, GRANTS, GIFTS, AND AGREEMENTS  
(continued)

E. Office of Business and Administration (continued)

2. Industrial and Other Contracts/Grants (continued)

- c. \$20,500.00 from Charleston County Schools, Charleston, South Carolina, for providing a continuing organizational structure to facilitate the development and implementation of career education in the member school districts in the Alliance for Career Education, under the direction of Center for Vocational Education, for period July 1, 1975 through March 15, 1976. (Contract No. CVE/ACE-112-CCS-75)
- d. \$15,750.00 from Committee on Institutional Cooperation, Evanston, Illinois, Subcontract under Alfred P. Sloan Foundation (CIC + Mid-western Program for Minorities in Engineering), for Engineering Career Interest Workshops, under the direction of College of Engineering, for period January 1, 1976 through August 31, 1976. (Grant No. 75-4-6)
- e. \$14,597.00 from Michigan State University, East Lansing, Michigan, for the services of Dr. Richard D. Duvick, Department of Agricultural Economics and Rural Sociology, The Ohio State University, under the direction of Department of Agricultural Economics and Rural Sociology, for period March 1, 1976 through June 30, 1976.
- f. \$13,765.00 from Technical Systems, Inc., St. Paul, Minnesota, for research and/or related activities for the project "TSI Core Power Curriculum Project," under the direction of Center for Vocational Education, for period January 1, 1976 through April 30, 1976. (Purchase Order No. 3541)
- g. \$6,375.00 from North Ridgeville City Schools, North Ridgeville, Ohio, for providing a comprehensive study of school plant needs for the North Ridgeville City Schools, under the direction of Academic Faculty of Educational Administration, for period of ninety days.
- h. \$2,000.00 from World Health Organization, Geneva, Switzerland, for computerization of records and accessions of biological control agents of arthropods, under the direction of Department of Entomology, for year 1975.

TOTAL - Industrial and Other Contracts/Grants \$148,482.00

III. REPORT OF RESEARCH CONTRACTS, GRANTS, GIFTS, AND AGREEMENTS  
(continued)

F. The Ohio State University Research Foundation

1. Federal Research Contracts/Grants

- a. \$243,395.00 from Department of Health, Education, and Welfare, National Institute of Education, Washington, D. C., for ERIC Information Analysis Center for Science, Mathematics, Environmental Education, under the direction of Academic Faculty of Science and Mathematics Education, for period January 1, 1975 through December 31, 1976. (Project 4093-A1 - Mod. #2)
- b. \$165,400.00 from Department of Health, Education, and Welfare, Public Health Service, Health Resources Administration, National Center for Health Services Research, Rockville, Maryland, for A Study of the Impact of Mobile Coronary Care Units, under the direction of Department of Preventive Medicine, for period January 1, 1976 through December 31, 1976. (Project 4358-A1 - New)
- c. \$142,213.00 from Department of the Navy, Office of Naval Research, Arlington, Virginia, for Defense Cost and Price Analysis Course, under the direction of Division of Continuing Education, College of Administrative Science, for period July 1, 1974 through September 30, 1976. (Project 4078-A1 - Mod. #P00002)
- d. \$90,000.00 from Environmental Protection Agency, Chicago, Illinois, for Maumee River Watershed Study, under the direction of Department of Agronomy, for period May 10, 1974 through July 31, 1976. (Project 3977-A1 - Amend. #4)
- e. \$56,719.00 from Energy Research and Development Administration, Argonne, Illinois, for Pulse Radiolysis Studies of Fast Reaction in Molecular Systems, under the direction of Department of Chemistry, for period February 1, 1976 through January 31, 1977. (Project 2589-H - Mod. #4)
- f. \$55,300.00 from National Science Foundation, Washington, D. C., for Fluid Mechanics Problems in Arterial Disease, under the direction of Department of Aeronautical and Astronautical Engineering, for period October 1, 1971 through December 31, 1976. (Project 3331-A1 and B1 - NSF Letter dated December 15, 1975)
- g. \$54,937.00 from Department of Health, Education, and Welfare, Public Health Service, National Institutes of Health, National Cancer Institute, Bethesda, Maryland, for In Vitro Study of the Nature of Interaction Between Chemical and Viral Carcinogens, under the direction of Department of Veterinary Pathobiology, for period February 20, 1974 through May 19, 1976. (Project 3885-A1 - Mod. #3)

March 5, 1976 meeting, Board of Trustees

III. REPORT OF RESEARCH CONTRACTS, GRANTS, GIFTS, AND AGREEMENTS  
(continued)

F. The Ohio State University Research Foundation (continued)

1. Federal Research Contracts/Grants (continued)

- h. \$53,868.00 from Department of Health, Education, and Welfare, Public Health Service, Food and Drug Administration, Rockville, Maryland, for An Evaluation of Drug Formularies in Large Hospitals, under the direction of College of Pharmacy, for period February 1, 1976 through January 31, 1977. (Project 4356-A1 - New)
- i. \$45,703.00 from Department of Health, Education, and Welfare, Public Health Service, National Institutes of Health, National Institute of Neurological and Communicative Disorders and Stroke, Bethesda, Maryland, for Psychoactive, Anticonvulsant, Anti-parkinsonism Drugs, under the direction of College of Pharmacy, for period February 1, 1976 through January 31, 1977. (Project 3394-A4 - Ext. #3)
- j. \$43,680.00 from Department of the Air Force, Air Force Office of Scientific Research, Arlington, Virginia, for Surface Energies and Related Properties of B-Titanium Alloys, under the direction of Department of Metallurgical Engineering, for period January 1, 1975 through December 31, 1976. (Project 4354-A1 - New)
- k. \$37,300.00 from National Science Foundation, Washington, D. C., for Systematics of the Subtrive Millerinae (Compositae), under the direction of Department of Botany, for period January 1, 1976 through December 31, 1977. (Project 4354-A1 - New)
- l. \$35,354.00 from Department of Health, Education, and Welfare, Public Health Service, Alcohol, Drug Abuse, and Mental Health Administration, National Institute of Mental Health, Bethesda, Maryland, for Postoperative Recovery Mechanisms and Retention, under the direction of Department of Psychology, for period January 1, 1976 through December 31, 1976. (Project 1470-N - Ext. #13)
- m. \$30,600.00 from National Science Foundation, Washington, D. C., for Low-Temperature Transport Phenomena in Metals, under the direction of Department of Physics, for period December 15, 1974 through December 31, 1976. (Project 4089-A1 - NSF Letter dated December 29, 1975)
- n. \$30,000.00 from Department of the Army, U. S. Army Research Office, Research Triangle Park, North Carolina, for Experimental Study of Stimulated Raman Scattering in High Pressure Gases, under the direction of ElectroScience Laboratory, Department of Electrical Engineering, for period January 19, 1976 through August 15, 1976. (Project 4297-B1 - New)



March 5, 1976 meeting, Board of Trustees

III. REPORT OF RESEARCH CONTRACTS, GRANTS, GIFTS, AND AGREEMENTS  
(continued)

F. The Ohio State University Research Foundation (continued)

1. Federal Research Contracts/Grants (continued)

- o. \$28,682.00 from Department of Health, Education, and Welfare, Public Health Service, National Institutes of Health, National Institute of Arthritis, Metabolic and Digestive Diseases, Bethesda, Maryland, for Anti-Vascular Endothelium Antibody in Transplantation, under the direction of Department of Surgery, for period January 1, 1976 through December 31, 1976. (Project 3857-A3 - Ext. #2)
- p. \$15,000.00 from National Science Foundation, Washington, D. C., for Small Particle X-Ray Diffraction Studies, under the direction of Department of Geology and Mineralogy, for period January 1, 1976 through December 31, 1977. (Project 4352-A1 - New)
- q. \$14,377.00 from Department of the Navy, Office of Naval Research, Arlington, Virginia, for Contract Administration and Procurement Management Course, under the direction of Division of Continuing Education, College of Administrative Science, for period July 1, 1974 through September 30, 1976. (Project 4080-A1 - Mod. #P00002)
- r. \$10,880.00 from Department of the Navy, Office of Naval Research, Arlington, Virginia, for Defense Termination Settlement Course, under the direction of Division of Continuing Education, College of Administrative Science, for period July 1, 1974 through September 30, 1976. (Project 4081-A1 - Mod. #P00002)
- s. \$10,000.00 from National Science Foundation, Washington, D. C., for Workshop in Bioelectrochemistry, under the direction of Department of Chemistry, for period December 15, 1975 through November 30, 1976. (Project 4348-A1 - New)

TOTAL - Federal Research Contracts/Grants \$1,163,408.00

2. Industrial, Private, and Other Non-Federal Research Contracts/Grants

- a. \$500,000.00 from Electric Power Research Institute, Palo Alto, California, for Corrosion and Corrosion Cracking of Materials for Water Cooled Reactors, under the direction of Department of Metallurgical Engineering, for period January 1, 1975 through December 31, 1976. (Project 4152-A1 - Contract dated March 24, 1975)

March 5, 1976 meeting, Board of Trustees

III. REPORT OF RESEARCH CONTRACTS, GRANTS, GIFTS, AND AGREEMENTS  
(continued)

F. The Ohio State University Research Foundation (continued)

2. Industrial, Private and Other Non-Federal  
Research Contracts/Grants (continued)

- b. \$100,000.00 from Sandoz-Wander, Inc., East Hanover, New Jersey, for Immunological Studies of Reproductive Hormones, under the direction of Department of Obstetrics and Gynecology, for period February 1, 1975 through January 31, 1977. (Project 4127-A1 - Agreement dated January 21, 1976)
- c. \$12,837.00 from The Research Foundation of State University of New York, Albany, New York, for EDBD for Great Lake and New York Bight from Sources within Ohio, under the direction of Center for Lake Erie Area Research, College of Biological Sciences. (Project 3959-A1 - Amendment dated January 15, 1976)
- d. \$9,958.00 from Leukemia Society of America, New York, New York, for Metabolic Characteristics of the Cellular Immune Response, under the direction of Department of Medicine. (Project 3706-A1 - Sponsor letter dated January 1, 1976)
- e. \$5,380.00 from Morris Animal Foundation, Denver, Colorado, for Characterization of the Effects of Feline Reovirus and Chlamydia psittaci on Cats, under the direction of Department of Veterinary Pathobiology, for period January 1, 1976 through December 31, 1976. (Project 4351-A1 - New)
- f. \$4,934.00 from Rachelwood Wildlife Research Preserve, Pittsburgh, Pennsylvania, for The Effects of Low Dietary Energy on Ovulation Frequency and Reproductive Endocrinology of the Ewe under the direction of Department of Zoology, for period January 1, 1976 through December 31, 1976. (Project 4357-A1 - New)
- g. \$3,000.00 from Ohio High School Athletic Association, Columbus, Ohio, for The Effects of Weight Loss on Body Composition and Strength in High School Wrestlers in the Five Lightest Weight Classes, under the direction of School of Health, Physical Education, and Recreation, for period January 1, 1976 through March 31, 1976. (Project 4349-A1 - New)
- h. \$2,357.00 from Rachelwood Wildlife Research Preserve, Pittsburgh, Pennsylvania, for The Effect of Supplemental Food on Gray Squirrel Distribution, Density, Movements and Reproductive Performance, under the direction of Department of Zoology, for period January 1, 1976 through December 31, 1976. (Project 4360-A1 - New)

March 5, 1976 meeting, Board of Trustees

III. REPORT OF RESEARCH CONTRACTS, GRANTS, GIFTS, AND AGREEMENTS  
(continued)

F. The Ohio State University Research Foundation (continued)

2. Industrial, Private, and Other Non-Federal  
Research Contracts/Grants (continued)

- i. \$2,030.00 from The Columbus Foundation, Columbus, Ohio, for Frontier Worthington: Civil Liberties, Social Values and the American Dream, under the direction of Department of Speech Communication, for period January 1, 1976 through May 31, 1976. (Project 4355-A1 - New)
- j. \$863.75 from Modern Language Association of America, Columbia, South Carolina, for Hawthorne Edition, under the direction of Department of English, for period September 1, 1975 through August 31, 1976. (Project 2338-J - Sponsor letter dated January 21, 1976)

TOTAL - Industrial, Private, and Other Non-Federal  
Research Contracts/Grants \$641,359.75

G. The Engineering Experiment Station

1. State of Ohio Research Contract

- a. \$316,800.00 from Public Utilities Commission of Ohio, Columbus, Ohio, for A Study to Analyze Selected Public Policy Issues Dealing with the Regulation of Electric Power and Natural Gas Utilities, under the direction of Department of Mechanical Engineering, for period January 6, 1976 through June 30, 1977. (EES 508, Ext. #1)

2. Industrial and Other Research Contracts

- a. \$89,913.00 from Electric Power Research Institute, Palo Alto, California, for Fuel Utilization in Residential Heating, under the direction of Department of Mechanical Engineering, for period October 31, 1975 through October 31, 1976. (EES 460, Ext. #2)
- b. \$41,667.00 from The Ohio State University, Columbus, Ohio, for Study of Energy Conservation for University Buildings, under the direction of Department of Mechanical Engineering, for period November 1, 1975 through June 30, 1976. (EES 468, Ext. #3)
- c. \$7,920.00 from Dayco Corporation, Springfield, Missouri, for Tensile Fatigue Testing of V-Belts, under the direction of Department of Mechanical Engineering, for period October 1, 1975 through September 30, 1976. (EES 453, Ext. #3)

TOTAL - Industrial and Other Research Contracts \$139,500.00

March 5, 1976 meeting, Board of Trustees

III. REPORT OF RESEARCH CONTRACTS, GRANTS, GIFTS, AND AGREEMENTS  
(continued)

H. The Ohio State University Development Fund

1. Gifts of \$5,000 or More

- a. \$47,000.00 from E. I. du Pont de Nemours & Company, Wilmington, Delaware--\$23,000.00 for Mechanical Engineering, \$15,000.00 for research in Chemistry, and \$9,000.00 for their research fund in Chemical Engineering.
- b. \$16,000.00 from The Thomas J. Evans Foundation (given in the name of Thomas J. Evans, deceased), Newark, Ohio, for gastroenterology research.
- c. \$10,598.51 from Weyerhaeuser Company, Tacoma, Washington, for the Riklis Fund for study and research in business administration.
- d. \$10,500.00 from Merck & Company, Inc., Rahway, New Jersey, for infectious disease research.
- e. \$9,860.00 from Cardiothoracic Surgeons, Inc., Columbus, Ohio, for the General Surgery Fund.
- f. \$9,266.00 from The Charles F. High Foundation, Bucyrus, Ohio, for their named scholarship fund.
- g. \$8,860.00 from Endo Laboratories, Inc., Garden City, New York, for the Clinical Pharmacology Fund.
- h. \$8,225.00 from Mr. and Mrs. Ralph W. Kurtz, Tampa, Florida--\$4,112.50 for the Ralph W. Kurtz Chair in Endocrinology and \$4,112.50 for the Helen C. Kurtz Chair in Radiology.
- i. \$7,000.00 from Pfizer, Inc., Groton, Connecticut, for the Clinical Pharmacology Fund.
- j. \$6,949.00 from The Grace High Washburn Trust, Bucyrus, Ohio, for its scholarship fund.
- k. \$5,000.00 from Ohio Harness Horsemen's Association, Inc., Painesville, Ohio, for a new project in the Department of Veterinary Clinical Sciences.
- l. \$5,000.00 from The Pharmaceutical Manufacturers Association Foundation, Inc., Washington, D. C., for a new project in the Department of Pharmacology.
- m. \$5,000.00 from Cyril T. Surington, M. D., Westerville, Ohio, for a purpose to be designated at a later date.

March 5, 1976 meeting, Board of Trustees

III. REPORT OF RESEARCH CONTRACTS, GRANTS, GIFTS, AND AGREEMENTS  
(continued)

H. The Ohio State University Development Fund (continued)

2. Establishment of Named Funds

- a. \$30,000.00 from a bequest from Sally R. Gibson for the establishment of the Cable M. Gibson Memorial Fund.

Cable M. Gibson Memorial Fund

The Cable M. Gibson Memorial Fund was established March 5, 1976, by the Board of Trustees of The Ohio State University with a bequest to The Ohio State University Development Fund from Sally R. Gibson in memory of her late husband, Cable M. Gibson (LL. B. '24).

The principal is to be invested in the University's Permanent Endowment Fund, under the rules and regulations adopted by the Board of Trustees of The Ohio State University, with the right to invest and reinvest as occasion dictates.

The annual income is to be used to provide scholarships for qualified students in The Ohio State University College of Law. The selection of the recipients is to be made upon the recommendation of the Dean of the College of Law.

Should the need for these scholarships cease to exist or so diminish as to provide unused income, then the income or part thereof, may be used for any purpose in the field of law as determined by the Dean of the College of Law.

In the event that the College of Law as it now exists should be altered in any reorganization of University colleges, schools and departments, the Board of Trustees or successor governing body of the University shall direct the use of the income for purposes within the field of Law as stipulated here and as recommended by the appropriate administrative official of the University then directly responsible for legal education at The Ohio State University.

- b. \$26,000.00 from the late Arthur P. Grasser for the establishment of The Arthur P. Grasser Memorial Scholarship Fund.

The Arthur P. Grasser Memorial Scholarship Fund

The Arthur P. Grasser Memorial Scholarship Fund was established March 5, 1976, by the Board of Trustees of The Ohio State University with a bequest to The Ohio State University Development Fund from the late Arthur P. Grasser (B. E. E. '18) of Cleveland, Ohio.

All gifts are to be invested in the University's Permanent Endowment Fund under the rules and regulations adopted by the Board of Trustees of The Ohio State University, with the right to invest and reinvest as occasion dictates.

March 5, 1976 meeting, Board of Trustees

III. REPORT OF RESEARCH CONTRACTS, GRANTS, GIFTS, AND AGREEMENTS  
(continued)

H. The Ohio State University Development Fund (continued)

2. Establishment of Named Funds (continued)

b. The Arthur P. Grasser Memorial Scholarship Fund (continued)

The annual income is to be used to provide one or more scholarships for undergraduate students enrolled in the College of Engineering, who have demonstrated academic ability and/or need for financial assistance. The selection of the recipient is to be made upon the recommendation of the Dean of the College of Engineering through the University Scholarship Committee.

Should the need for these scholarships cease to exist or so diminish as to provide unused income, then the income may be used for any purpose whatsoever as determined by the Board of Trustees, with preference being given to recommendations from the appropriate administrative official of the University who is then directly responsible for engineering education.

c. \$5,893.73 from the Home Laundry Division of the Association of Home Appliance Manufacturers in honor and in memory of Elaine Knowles Weaver, for the establishment of the Elaine Knowles Weaver Endowment Fund.

Elaine Knowles Weaver Endowment Fund

The Elaine Knowles Weaver Endowment Fund was established March 5, 1976, by the Board of Trustees of The Ohio State University with a gift through The Ohio State University Development Fund from the Home Laundry Division of the Association of Home Appliance Manufacturers in honor and in memory of Elaine Knowles Weaver, late of Hilliard, Ohio, professor of housing and equipment from 1947 to 1961.

All gifts are to be invested in the University's Permanent Endowment Fund, under the rules and regulations adopted by the Board of Trustees of The Ohio State University, with the right to invest and reinvest as occasion dictates.

The annual income is to be used to provide grants in support of thesis or dissertation research relating to home equipment and other applied research within the Home Management and Housing Department. Selection of recipients of the grant shall be made by a departmental review committee composed of the Home Management and Housing Department Chairperson, one member of the home equipment faculty and one other faculty member in the

III. REPORT OF RESEARCH CONTRACTS, GRANTS, GIFTS, AND AGREEMENTS  
(continued)

H. The Ohio State University Development Fund (continued)

2. Establishment of Named Funds (continued)

c. Elaine Knowles Weaver Endowment Fund (continued)

department. The recommended selection will be submitted to the School Fellowship Committee for announcement of the recipient. The principal may be invaded to the extent of part or all of it for uses as indicated above.

Should the need for these grants cease to exist or so diminish as to provide unused income, or should the Department of Home Management and Housing cease to exist through any reorganization of the University, then the income may be used for any purpose whatsoever as determined by the Board of Trustees, with preference being given to recommendations from the appropriate administrative official of the University who is then directly responsible for home management, equipment and housing education.

d. \$5,000.00 from Anita Esbenshade Chapman for the establishment of The Anita Esbenshade Chapman Scholarship Fund.

The Anita Esbenshade Chapman Scholarship Fund

The Anita Esbenshade Chapman Scholarship Fund was established March 5, 1976, by the Board of Trustees of The Ohio State University with a gift to The Ohio State University Development Fund from Anita Esbenshade Chapman, B.A. '54, of Cleveland, Ohio.

All gifts are to be invested in the University's Permanent Endowment under the rules and regulations adopted by the Board of Trustees of The Ohio State University, with the right to invest and reinvest as occasion dictates.

The annual income is to be used to provide one or more scholarships for undergraduate students enrolled in the School of Music with the principal instrument, a woodwind. The selection of the recipient(s) is to be made by the University Scholarship Committee upon the recommendation of the woodwind faculty.

Should the need for the scholarship cease to exist or so diminish as to provide unused income, then the income may be used for any purpose whatsoever as determined by the Board of Trustees, with preference being given to the recommendations from the appropriate administrative official of the University who is then directly responsible for music education.

March 5, 1976 meeting, Board of Trustees

III. REPORT OF RESEARCH CONTRACTS, GRANTS, GIFTS, AND AGREEMENTS  
(continued)

H. The Ohio State University Development Fund (continued)

2. Establishment of Named Funds (continued)

- e. \$4,000.00 from Mrs. Bernard J. Lachner and sons, Bernard J. III, Thomas F., and James T., for the establishment of The Bernard J. Lachner Graduate Fellowship.

The Bernard J. Lachner Graduate Fellowship

The Bernard J. Lachner Graduate Fellowship was established March 5, 1976, by the Board of Trustees of The Ohio State University with a gift to The Ohio State University Development Fund from Mrs. Bernard J. Lachner and sons, Bernard J. III, Thomas F., and James T., of Northbrook, Illinois. (Mr. Lachner, formerly the Vice President for Administrative Operations at O.S.U., developed and was the first director of the Graduate Program in Health Services Administration.)

All gifts are to be invested in the University's Permanent Endowment Fund under the rules and regulations adopted by the Board of Trustees of The Ohio State University, with the right to invest and reinvest as occasion dictates.

The annual income is to be added to the principal until the fund reaches \$10,000. At that time, the income is to be used to provide fellowship support for a student enrolled in the Graduate School with a major area of study being Hospital and Health Services Administration. Preference is to be given to second year students on the basis of past academic achievement and the need for financial assistance. Also to be considered by the Faculty Selection Committee will be the promise of success in the field and the potential for providing future leadership in hospital and health services. The selection of the recipient(s) is to be made by the graduate faculty and approved by the Graduate Fellowship Committee.

Should the need for this fund cease to exist or so diminish as to provide unused income, then the income may be used for any purpose whatsoever as determined by the Board of Trustees, with preference being given to recommendations from the appropriate administrative official of the University who is then directly responsible for the study of Hospital and Health Services Administration.

\*

\*

\*



March 5, 1976 meeting, Board of Trustees

IV. BUSINESS AND ADMINISTRATION

A. Architects/Engineers

WHEREAS in order to initiate landscape architectural planning for the accompanying project: Therefore be it

RESOLVED, That the landscape architectural firm be employed in accordance with the requirements outlined on this page.

Upon motion of Dr. Jacob, seconded by Mr. Hilliker, the above resolution was adopted by unanimous roll call vote.

1. Mall Completions - University Hall and North Oval Areas

WHEREAS additional landscaping work is necessary to provide a proper setting for the buildings and to blend landscaping with adjacent existing landscaping around University Hall, including removal of paving and walks on North Oval Drive and Bohannan Road, realignment of walks extending to the Main Library Addition to improve pedestrian traffic, and the extension of the existing pedestrian mall on the north side of the Oval; and

WHEREAS the fee for this service will be negotiated between the landscape architectural firm and the Department of Administrative Services, Division of Public Works. The total project cost is \$70,000.00.

WHEREAS funds for this service have been provided from H. B. 687, Utilities and Renovation.

NOW, THEREFORE, BE IT RESOLVED that the firm of James H. Bassett, Inc., Lima, Ohio, be employed to provide complete landscaping architectural services for this project including preliminary plans, basic drawings, working drawings, specifications, estimates of cost, necessary bidding documents, and supervision of construction.

B. Plans and Specifications

WHEREAS at the request of the President and/or Vice President for Business and Administration, it is requested that the Board of Trustees approve the plans and specifications, bills of materials, and estimates of cost for the projects set forth on the following pages: Therefore be it

RESOLVED, That the Secretary be authorized and directed to sign the plans and specifications for the projects for and on behalf of the Board of Trustees, and that the President and/or Vice President for Business and Administration be directed to proceed with the request for bids, and if satisfactory bids are received to proceed with the award of contracts in the normal University manner; and

March 5, 1976 meeting, Board of Trustees

IV. BUSINESS AND ADMINISTRATION (continued)

B. Plans and Specifications (continued)

RESOLVED further, That all actions in accordance with authorization of the Board of Trustees will be reported at a later meeting.

Upon motion of Mr. Hilliker, seconded by Dr. Jacob, the above resolution was adopted by roll call vote with seven affirmative votes and one abstention - Dr. Sirak.

1. Bids To Be Received Through the Department of Administrative Services, Division of Public Works

a. Tennis Courts - Additional

This project will provide for the construction of ten new tennis courts for the purpose of expanding instructional, intramural, and recreational facilities. These new courts will be located adjacent to existing courts southwest of the Recreation, Physical Education - Central Facility. The work will include all grading, paving, fencing, nets, posts, lighting and landscaping. Also included will be lighting for eleven existing tennis courts not presently lighted and color coating for twenty-two existing courts.

Funds are budgeted in Budget Account 801322.

b. Dentistry Building Improvements

This project will provide air conditioning and improved lighting in the third floor teaching laboratory area and will air condition the office spaces associated with the laboratories. Alternate bids will be taken for air conditioning the patient recovery and treatment rooms on the second floor as well as contiguous photographic areas.

Funds are budgeted in H. B. 687 (Utilities and Renovation).

c. Hughes Hall Remodeling

This project will provide for the subdivision of two large existing spaces (recently vacated by Music Library) into eight faculty offices and will create two additional teaching studios.

Funds are budgeted in H. B. 687 (Utilities and Renovation).

d. Classroom Improvements

This project involves improvements to the large lecture halls in McPherson Chemical Laboratory, Room 100, and Campbell Hall, Room 200.

March 5, 1976 meeting, Board of Trustees

IV. BUSINESS AND ADMINISTRATION (continued)

B. Plans and Specifications (continued)

1. Bids To Be Received Through the Department of Administrative Services, Division of Public Works (continued)

d. Classroom Improvements (continued)

The lecture hall in Campbell Hall, which was built in 1917, will also be improved to meet contemporary standards for special lecture-auditorium facilities and will include improved ventilation, improved acoustics and lighting, approximately 450 seats with tablet arms to replace existing seating, and the provision of instructional aids. The existing stage will be removed to expand seating and improve the lecture area.

The lecture hall in McPherson Chemical Laboratory, which was built in 1928, will be improved to meet contemporary standards for special lecture-auditorium facilities and will include improved heating and ventilating (the room will not be air conditioned), improved lighting and circulation patterns.

These are the first substantial improvements to these lecture halls since their original construction.

Funds are budgeted in H. B. 687 (Utilities and Renovation).

e. Ives Hall Improvements and Haskett Hall Remodeling

The improvement in Ives Hall, for the Department of Agricultural Engineering, will provide additional offices, and improved office space for faculty and staff; also space for conducting graduate level research programs.

Haskett Hall Remodeling, for the Department of Photography and Cinema, will include development of a combined motion picture/still picture processing laboratory; a new women's restroom; four new faculty offices, a graduate student office, a faculty/staff lounge; and improvement of corridors, the accounting and service areas; remodeling of existing restrooms to accommodate handicapped persons, three laboratory studio areas; and replacement of wood floor on the sound stage with concrete. Improvement of the main building entrance and replacement of windows on the south side will also be included.

Funds are budgeted in H. B. 687 (Utilities and Renovation).

March 5, 1976 meeting, Board of Trustees

IV. BUSINESS AND ADMINISTRATION (continued)

B. Plans and Specifications (continued)

2. Bids To Be Received Through The Ohio State University  
Purchasing Department

a. Swine Evaluation Station, Storage Building  
3485 Case Road

This storage building will replace two smaller buildings currently in poor condition. Bids will be requested on buildings of standard design, including erection on site.

Funds are budgeted in Budget Account 956081 (Cooperative Extension Service).

C. Report of Award of Contracts

WHEREAS in accordance with the resolution adopted by the Board of Trustees at previous meetings, authorization was given to the Vice President for Business and Administration to sign the plans and specifications and to proceed with the request for bids in the normal University manner: Therefore be it

RESOLVED, That pursuant to the previous actions of the Board, various construction and renovation projects were bid, and the following information is reported to the Board.

Upon motion of Mr. Harrod, seconded by Dr. Jacob, the above resolution was adopted; the award of contracts and expenditure of funds were approved and the action of the President and/or Vice President for Business and Administration was approved by unanimous roll call vote.

1. Utility Tunnel Renovations (19th Avenue Tunnel) - Phase I

	<u>Low Bid</u>	<u>Est. of Cost</u>
<u>General Contract</u>		
(6 bids received 2-20-76)		
Alan George and Associates (Columbus)		
Base bid	\$ 20,504.00	\$ 52,800.00
Alt. G-1 18th Avenue Tunnel	+ 75,576.00	+126,625.50
Alt. G-2 Waterproofing, deletion of Careystrand mat	- 3,422.00	- 2,400.00
Alt. G-3 Paving	+ 1,430.00	+ 4,500.00
Total Contract	<u>\$ 94,088.00</u>	<u>\$181,525.50</u>

March 5, 1976 meeting, Board of Trustees

IV. BUSINESS AND ADMINISTRATION (continued)

C. Report of Award of Contracts (continued)

1. Utility Tunnel Renovations (19th Avenue Tunnel) - Phase I (continued)

	<u>Low Bid</u>	<u>Est. of Cost</u>
<u>Mechanical Contract</u> (9 bids received 2-20-76)		
Roland A. Esswein & Sons Co. (Columbus)	\$ 34,900.00	\$ 36,520.00
<u>Electrical Contract</u> (3 bids received 2-20-76)		
Jess Howard Electric Co. (Blacklick, Ohio)	\$ 3,289.00	\$ 9,680.00
<u>Total All Contracts</u>	<u>\$132,277.00</u>	<u>\$227,725.50</u>

Funds for this project have been provided from H. B. 687 (Utilities and Renovation).

D. General

1. Easement - 350 Dodridge Street  
Columbus and Southern Ohio Electric Company

WHEREAS the University has received a request from the Columbus and Southern Ohio Electric Company for an easement to install electric service to the recently constructed WTVN and WOSU transmitter facility at 350 Dodridge Street; and

WHEREAS the lines shall be constructed within the limits of a five-foot strip of land approximately 400 feet in distance: Therefore be it

RESOLVED, That the President and/or Vice President for Business and Administration be authorized to request the Department of Administrative Services, Director of Public Works, pursuant to his statutory duties, to act for and on behalf of the University developing the necessary legal instruments to provide for the easement.

Upon motion of Mr. Harrod, seconded by Dr. Jacob, the Board of Trustees approved the foregoing resolution by unanimous roll call vote.

2. Easement - Columbia Gas of Ohio, Inc. - Dodd Hall

WHEREAS the University has received a request for an easement from the Columbia Gas of Ohio, Inc., for a three-inch gas line currently servicing Dodd Hall (formerly known as the Ohio Rehabilitation Center). This easement replaces the original easement, No. 1105, granted to the Ohio Fuel Gas Company dated March 13, 1961: Therefore be it

March 5, 1976 meeting, Board of Trustees

IV. BUSINESS AND ADMINISTRATION (continued)

D. General (continued)

2. Easement - Columbia Gas of Ohio, Inc. - Dodd Hall (continued)

RESOLVED, That the President and/or Vice President for Business and Administration be authorized to request the Director of the Department of Administrative Services, pursuant to his statutory duties, to act for and on behalf of the University in developing the necessary legal instruments to provide for the easement.

Upon motion of Mr. Harrod, seconded by Dr. Jacob, the Board of Trustees approved the foregoing resolution by unanimous roll call vote.

3. Easement - Ohio Power Company, Newark Campus

WHEREAS the University has received a request from the Ohio Power Company for an easement to install underground electric service to a new building at The Ohio State University Newark Campus. The lines shall be constructed within the limits of a ten-foot strip of land approximately 900 ft. in distance: Therefore be it

RESOLVED, That the President and/or Vice President for Business and Administration be authorized to request the Director of the Department of Administrative Services, pursuant to his statutory duties, to act on behalf of the University in developing the necessary legal instruments to provide for the easement.

Upon motion of Mr. Harrod, seconded by Dr. Jacob, the Board of Trustees approved the foregoing resolution by unanimous roll call vote.

4. Federal Aviation Administration  
Renewal of Lease No. DOT-FA76GL-1115

WHEREAS the Federal Aviation Administration has requested to renew Lease No. DOT-FA76GL-1115 between the United States of America, Department of Transportation, Federal Aviation Administration, and The Ohio State University; and

WHEREAS Lease No. DOT-FA76GL-1115 provides for the leasing of .16 acres of land located on the west side of Fyffe Road - 1,343 feet north of Lane Avenue for continuing the operation of an Outer Marker Signalling Transmitter to service Columbus City Airport (Port Columbus); Therefore be it

RESOLVED, That the Secretary of the Board of Trustees be authorized to act on behalf of the University in executing the necessary legal instruments to provide for the renewal lease.

Upon motion of Mr. Harrod, seconded by Dr. Jacob, the Board of Trustees approved the foregoing resolution by unanimous roll call vote.

\*

\*

\*

DEPARTMENT OF TRANSPORTATION  
FEDERAL AVIATION ADMINISTRATION  
Great Lakes Region  
2300 East Devon Avenue  
Des Plaines, Illinois 60018

Lease No.: DOT-FA76GL-1115  
PORT COLUMBUS AIRPORT  
COLUMBUS, OHIO  
OUTER MARKER ILS R/W 10

## LEASE

between

THE OHIO STATE UNIVERSITY

and

THE UNITED STATES OF AMERICA

This LEASE, made and entered into this \_\_\_\_\_ day of \_\_\_\_\_  
in the year one thousand nine hundred and seventy-six  
by and between The Ohio State University  
900 Lincoln Tower  
whose address is 1800 Cannon Drive  
Columbus, Ohio 43210

for itself and its ~~heirs, executors, administrators,~~ successors, and assigns, hereinafter called the lessor, and the UNITED STATES OF AMERICA, hereinafter called the Government:

WITNESSETH: The parties hereto for the consideration hereinafter mentioned covenant and agree as follows:

September 30,

1. For the term beginning July 1, 1976, and ending ~~June 30,~~ 1976, the lessor hereby leases to the Government the following described property, hereinafter called the premises, viz:

Starting from an iron spike in the intersection of the centerline of West Lane Avenue and Fyffe Road, proceed S 85° 11' W 333.44 ft. to a stake, thence N 3° 44' E 1343.13 ft. to a nail at the "Point of Beginning" of the leased plot.

From the "Point of Beginning" proceed N 85° 49' W 40.0 feet to a point; thence S 4° 11' W 50.0 ft. to a point; thence N 85° 49' W 70.0 feet to a point; thence N 4° 11' E 100.0 feet to a point; thence S 85° 49' E 70.0 feet to a point; thence S 4° 11' W 20.0 ft. to a point; thence S 85° 49' E 40.0 feet, thence S 4° 11' W 30.0 ft. to the Point of Beginning, comprising .16 acre, more or less, situated in Clinton Township, Franklin County, State of Ohio.

Bearings are based on True North.

a. Together with a right-of-way for ingress to and egress from the premises; a right-of-way or rights-of-way for establishing and maintaining ~~a pole-line or pole-line~~ for extending electric power, and telecommunications facilities to the premises; and right-of-way for subsurface power, communication and water lines to the premises; all rights-of-way to be over the said lands and adjoining lands of the lessor, and unless herein described by metes and bounds, to be by routes reasonably determined to be the most convenient to the Government.

b. And the right of grading, conditioning, and installing drainage facilities, and seeding the soil of the premises, and the removal of all obstructions from the premises which may constitute a hindrance to the establishment and maintenance of air navigation and telecommunications facilities.

c. And the right to make alterations, attach fixtures, and erect additions, structures, or signs, in or upon the premises hereby leased, which fixtures, additions, or structures so placed in or upon, or attached to the said premises shall be and remain the property of the Government, and may be removed upon the effective date of termination of this lease, or within 90 days thereafter, by or on behalf of the Government, or its grantees, or purchasers of said fixtures, additions, structures, or signs.

2. This lease may, at the option of the Government, be renewed from year to year and otherwise upon the terms and conditions herein specified. The Government's option shall be deemed exercised and the lease renewed each year for 1 year unless the Government gives the lessor 30 days written notice that it will not exercise its option before this lease or any renewal thereof expires; ~~PROVIDED, that no renewal thereof shall extend the period of occupancy of the premises beyond the fifth day of June 1990~~ <sup>September 30</sup>; ~~AND PROVIDED FURTHER, that adequate appropriations are available from year to year for the payment of rentals.~~

~~3. The Government shall pay the lessor for the premises~~  
~~( \$ )~~  
for the term set forth in Article 1 above, and  
~~( \$ ) per year for each~~  
annual renewal exercised by the Government hereafter. Payments shall be made ~~in arrears at the end of each~~ <sup>without the submission of invoices or vouchers</sup>

Either party hereto

4. ~~The Government~~ <sup>Other party</sup> may terminate this lease, in whole or in part, at any time by giving thirty (30) days notice in writing to the ~~lessor~~ <sup>other party</sup>, and no rental shall accrue after the effective date of termination. Said notice shall be computed commencing with the day after the date of mailing.

5. No Member of Congress or Resident Commissioner shall be admitted to any share or part of this lease, or to any benefit to arise therefrom. Nothing, however, herein contained, shall be construed to extend to any incorporated company if the lease be for the general benefit of such corporation or company.



6. The lessor warrants that no person or selling agency has been employed or retained to solicit or secure this lease upon an agreement or understanding for a commission, brokerage, percentage or contingent fee, except bona fide employees or bona fide established commercial or selling agencies maintained by the lessor for the purpose of securing business. For breach or violation of this warranty, the Government shall have the right to annul this lease without liability, or in its discretion to deduct from the contract price or consideration, the full amount of such commissions, brokerage, percentage, or contingent fee.

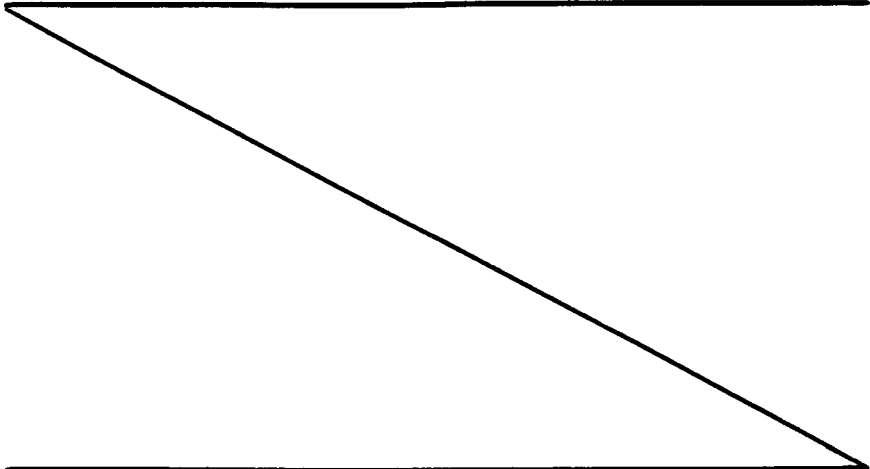
7. The Government shall surrender possession of the premises upon the expiration or the effective date of termination of this lease. If the lessor, by written notice at least fifteen (15) days before the expiration or the effective date of termination requests restoration of the premises, the Government at its option shall within ninety (90) days thereafter, or within such additional time as may be mutually agreed upon, either (1) restore the premises to as good condition as that existing at the time of the Government's entering upon the premises under this lease (changes to the premises in accordance with paragraph 1 above, ordinary wear and tear, damage by natural elements and by circumstances over which the Government has no control, excepted) or (2) make an equitable adjustment in the lease amount for the cost of such restoration of the premises or the diminution of the value of the premises if unrestored, whichever is less. Should a mutually acceptable settlement be made hereunder, the parties shall enter into a supplemental agreement hereto effecting such agreement. Failure to agree to any such equitable adjustment shall be a dispute concerning a question of fact within the meaning of Clause 8 of this lease.

8. (a) Except as otherwise provided in this contract, any dispute concerning a question of fact arising under this contract which is not disposed of by agreement shall be decided by the Contracting Officer, who shall reduce his decision to writing and mail or otherwise furnish a copy thereof to the lessor. The decision of the Contracting Officer shall be final and conclusive unless within 30 days from the date of receipt of such copy, the lessor mails or otherwise furnishes to the Contracting Officer a written appeal addressed to the Secretary, Department of Transportation. The decision of the Secretary or his duly authorized representative for the determination of such appeals shall be final and conclusive unless determined by a court of competent jurisdiction to have been fraudulent, or capricious, or arbitrary, or so grossly erroneous as necessarily to imply bad faith, or not supported by substantial evidence. In connection with any appeal proceeding under this clause, the lessor shall be afforded an opportunity to be heard and to offer evidence in support of its appeal. Pending final decision of a dispute hereunder, the lessor shall proceed diligently with the performance of the contract and in accordance with the Contracting Officer's decision.

(b) This "Disputes" clause does not preclude consideration of law questions in connection with decisions provided for in paragraph (a) above: *Provided*. That nothing in this contract shall be construed as making final the decision of any administrative official, representative, or board on a question of law.

9. This lease is subject to the additional provisions set forth below, which are made a part hereof, and identified as follows:

See Attachment "A" containing Articles 10 through 16 and a Corporate Certificate which are attached hereto and made a part hereof.



IN WITNESS WHEREOF, the parties hereto have hereunto subscribed their names as of the date first above written.

As the holder of a mortgage, dated \_\_\_\_\_

\_\_\_\_\_, recorded in Liber

\_\_\_\_\_, pages \_\_\_\_\_, against the above-described premises, the undersigned hereby consents to the foregoing lease and agrees that, if while the lease is in force the mortgage is foreclosed, the foreclosure shall not void the lease.

\_\_\_\_\_  
(Mortgagee)

THE OHIO STATE UNIVERSITY

\_\_\_\_\_  
(Lessor)

\_\_\_\_\_  
(Lessor)

\_\_\_\_\_  
(Lessor)

\_\_\_\_\_  
(Lessor)

\_\_\_\_\_  
(Lessor)

THE UNITED STATES OF AMERICA

By \_\_\_\_\_

ROBERT J. PUOCI

Title \_\_\_\_\_ Realty Specialist, AGL-56

(Notary Seal)

Prepared by:  
Robert J. Puoci  
Federal Aviation Administration  
Des Plaines, Illinois 60018

ATTACHMENT "A" TO LEASE NO. DOT-FA76GL-1115

The additional provisions set forth in this attachment by the parties hereto and made a part hereof:

10. The Lessor shall be responsible for the removal of snow and ice from the entrance driveway area. The Lessor shall determine timing and priority for snow and ice removal.
11. The initial term of this Lease shall be as stated in Article 1. Subsequent terms, if the renewal terms of Article 2 are exercised, are (1) October 1, 1976, through September 30, 1977, and (2) thereafter from October 1 through September 30 of each succeeding fiscal year; Provided, that no renewal thereof shall extend the period of occupancy of the premises beyond September 30, 1990; And Provided Further, that adequate appropriations are available from year to year for the payment of rentals.
12. Either party hereto, upon thirty (30) days' written notice prior to any renewal hereof, shall have the right to renegotiate the annual rental payment for the renewal period thereof.
13. The Government shall pay the Lessor for the premises One Hundred and Twenty-Seven Dollars and Fifty Cents (\$127.50) for the term set forth in Article 1 and Five Hundred and Ten Dollars (\$510.00) annually. Payments shall be at the end of each quarter in equal payments of One Hundred Twenty-Seven Dollars and Fifty Cents (\$127.50).
14. All payments shall be mailed to the Property Management Division, 900 Lincoln Tower, 1800 Cannon Drive, Columbus, Ohio 43210, or such other place as the Lessor may designate in writing.
15. This Lease No. DOT-FA76GL-1115 replaces the existing Lease No. DOT-FA72EA-6146 which expires by limitation June 30, 1976.
16. Certain words on Page 1, "heirs, executors, administrators," have been deleted. In Article 1, "June 30" has been changed to read "September 30." In Article 1, paragraph a, the words "a pole line" and "pole lines" and "and water lines" have been deleted. In Article 2, "the 30th day of June" has been changed to read "September 30," and Article 3 has been deleted in its entirety. In Article 4, the words "The Government" have been replaced by the words "Either party hereto," and the word "lessor" has been replaced by the words "other party."

March 5, 1976 meeting, Board of Trustees

V. REPORTS

A. Budget Plans, 1976-1977

Statement by President Harold L. Enarson to the Board of Trustees  
The Ohio State University  
March 5, 1976

Although the uncertainties in revenue estimates and in rising costs for next year are greater than usual, Ohio State must proceed and is proceeding with budget plans for 1976-1977. I had hoped to review our plans with you at the February meeting which was unavoidably cancelled.

Present budget plans project a bottom-line increase of 5 to 6 per cent for Ohio State's total operating budget next year (from \$356 million this year to \$376 million next year). The Instruction and General Budget--the primary budget covering all academic programs--is expected to increase 7 per cent (from \$172 million this year to \$184 million next year), while the other four major budgets (Sponsored Research, Public Service, Student Aid and Auxiliaries) are likely to increase in their aggregate by 4 per cent--from \$184 million to \$192 million.

The 1976-1977 budget guidelines reflect the following objectives:

- A budget balanced without the use of University general reserves.
- No increase in undergraduates' fees based on best current estimates of revenue.
- To take special note of potential State funding problems which could either delay subsidy payments or reduce their magnitude (or both);
- A realistic treatment of the probable impact of inflation;
- An assessment of fee and subsidy revenues based on best estimates of next year's enrollment mix by level and program, taking account of Ohio State's enrollment ceiling, Columbus Campus;

In preparing the Guidelines, we have sought the counsel and advice of the Faculty Compensation and Benefits Committee, University Senate, the Council of Deans, Vice Presidents and Provost.

It is expected, generally, that the following specific budget goals can be achieved within the framework of next year's budget plans.

March 5, 1976 meeting, Board of Trustees

V. REPORTS (continued)

A. Budget Plans, 1976-1977 (continued)

President Enarson's statement (continued)

- \* The compensation package proposed would set aside 7.5 per cent of projected budget increases for faculty and staff pay increases--to be made on the basis of merit.

It also would:

- \* Provide another 0.5 per cent for salary adjustments to eliminate inequities.
- \* Allocate an additional 0.5 per cent for full university payment of Blue Cross insurance for all regular faculty and professional personnel.
- \* Provide the mandated step and longevity increase for all classified personnel;
- \* Hold internal budget cuts to an aggregate equivalent of one half of one per cent;
- \* Fund the estimated increase in utility costs of 23 to 24 per cent;
- \* Increase the library books and periodicals budget by 18 per cent;
- \* Increase the budgets for both wages and departmental equipment, supplies and services by 5 per cent;
- \* Meet unavoidable cost increases (about \$650,000 for major medical insurance, Blue Cross, workman's compensation and student-aid matching funds);
- \* Set aside one per cent of the aggregate of all budgets in direct support of academic programs (\$1.35 million) as "minimum flexibility funds" to provide (as needed) for adjustments in college budgets with change in their enrollment mix, for program improvements and for opportunity matching funds.

March 5, 1976 meeting, Board of Trustees

V. REPORTS (continued)

A. Budget Plans, 1976-1977 (continued)

President Enarson's statement (continued)

The overall impact of the recommended guidelines on the Instruction and General budget, Columbus Campus, is estimated to be as follows:

<u>Budget Category</u>	<u>Estimated Expenditure 1975-76</u>	<u>Projected Expenditure 1976-77</u>
College Budget and Instructional		
Services	\$120.00 M	\$128.6 M (+ 7.2%)
Libraries	6.41 M	6.9 M (+ 7.6%)
Student Services	5.55 M	5.8 M (+ 4.5%)
Plant Operation and Maintenance		
Facilities	14.25 M	14.8 M (+ 3.9%)
Utilities	6.48 M	8.0 M (+23.5%)
Institutional Support	10.36 M	11.0 M (+ 6.0%)
Total	\$163.05 M	\$175.1 M (+ 7.4%)

Operating units of the University are proceeding with the development of their budgets following the recommended guidelines. Specific budgets for 1976-1977 will be presented to the Board of Trustees at its June, 1976 meeting.

B. Reports on University Investment Portfolio

The reports on the University's Investment Portfolio dated February 5, 1976 and March 4, 1976, as submitted to the Fiscal Affairs Committee of the Board of Trustees, were received and ordered to be filed with the official records of the Board.

\*

\*

\*

VI. SPECIAL ACTION

A. Collective Bargaining

WHEREAS the American Association of University Professors has expressed the desire to represent the faculty of The Ohio State University in collective negotiations with this University; and

March 5, 1976 meeting, Board of Trustees

VI. SPECIAL ACTION (continued)

A. Collective Bargaining (continued)

WHEREAS the Board of Trustees of The Ohio State University is vested by law with full authority and responsibility for the governance of the University; and

WHEREAS there exist no legal provisions to govern the process of public employees collective bargaining in Ohio, though such negotiations are not prohibited by law;

NOW THEREFORE BE IT RESOLVED:

THAT the President of The Ohio State University is authorized to make arrangements to conduct an election for the purpose of giving faculty members the opportunity to decide whether they wish to be represented in collective bargaining negotiations regarding faculty compensation and work loads by the American Association of University Professors.

Following President Enarson's introduction of the resolution, the Chairman, Mr. Dunlap, called on the President to make a statement.

President Enarson's Statement on Collective Bargaining:

The next item to be considered is that of collective bargaining. At the Chairman's request, I have been given this opportunity to state my own view on this matter preliminary to Board discussion and, I trust, a final Board decision. Before I get into full swing here, I should say that I don't know any question that I have wrestled with more intensely than I have with the whole issue of collective bargaining at a major comprehensive university. And I add in the same breath, that every single member of this Board without exception has, to my personal knowledge, given this matter the most conscientious, careful attention. I think everybody should understand that. I'd like to speak, really, wearing three hats. I realize I can't escape wearing the hat of President of the University--but I'm also a professor at heart. And, finally, I would like to speak as a professor of political science whose specialty was labor relations, and whose doctoral dissertation dealt with emergency labor disputes and the sweet mysteries of fact-finding as a way of settling labor disputes. In each of these roles, I want to tell this Board why I think collective bargaining is inappropriate to this institution at this time. And because this topic is important, I'd like to beg your indulgence and speak at considerable length. I believe that faculty participation in academic affairs at this institution makes faculty inseparable from management. One of the silliest things is to label a building 'Administration,' as if all administration were done in but one out of 370 buildings on this campus. In truth, academic administration permeates this entire campus, as it

March 5, 1976 meeting, Board of Trustees

VI. SPECIAL ACTION (continued)

A. Collective Bargaining (continued)

President Enarson's Statement (continued)

must, to be effective. And decisions of every kind are made in the academic departments with the full participation of faculty. The absolutely basic decisions--what you teach and how you teach it, how a teaching load is distributed, even the hours of work--are made right there in the Department of German, and right there in the Department of Physics.

There are in this University an unbelievable number of committees, almost all of which have substantial faculty involvement. And this committee structure is capped by University Senate, incidentally, a University Senate whose membership was threshed out over a period of several years of intense work and debate. The faculty of this University has, and continues to have, a deepening involvement in matters directly affecting them. I refer specifically to what I said a moment ago about the reliance that I place--and Dr. Kuhn, our chief academic officer places--on the work of the Faculty Compensation and Benefits Committee. To be perfectly blunt, there is a larger University interest that transcends any special interest in this University, whether that is the interest of the College of Agriculture, or the interest of a student group, or the interest of a faculty group. All the wishes and dreams and needs and aspirations somehow come into competition with another. If there is more money for Dentistry, there's going to be less money for Law, or for all other programs. If there are more dollars for student financial aid, there will be less for research support. I deeply believe that no one interest group can dictate to another group. Unionism, as I observe it around the country invites harsh, bitter and divisive adversary relations. While I have never had a belief that 'collegiality' meant sweet harmony, at least we do keep the adversary spirit under control under present arrangement. What collective bargaining does do is unleash, verify, and indeed, justify the adversary spirit. One is led from pie-in-the-sky promises to demands and then inexorably to impasse in negotiation.

In Ohio, there is currently no system for resolving impasses. If you doubt it, look at the University of Cincinnati. That University offers today a case study in what can happen, indeed I am tempted to say is likely to happen in faculty collective bargaining. A union



March 5, 1976 meeting, Board of Trustees

VI. SPECIAL ACTION (continued)

A. Collective Bargaining (continued)

President Enarson's Statement (continued)

organizes. A union makes demands. Counter offers are made. There is a failure to reach agreement. There is an impasse. The level of rhetoric becomes louder and more extreme. The dialogue breaks down. We are now in the ninth month of the current year, of the current fiscal year, and the faculty of the University of Cincinnati is still operating on last year's salary levels, and with all the sweet talk as to how you can have collective bargaining and still retain all those good old collegial relationships. If you believe that, you should study the University of Cincinnati, Kent State, Rutgers, or City University of New York.

You can talk about how collective bargaining doesn't necessarily mean strikes or job action, but you better not look at the record. Because, in fact, strikes and job action are endemic to the collective bargaining process. If there is a strike, there can be no lock out, because it's inconceivable that the University would lock out students because of an impasse with the labor union. If there is a strike, it's the students who suffer.

Also we read in the literature about not leveling the faculty but anyone who reads the literature knows that this force is endemic in unionism.

Universities are very frail institutions. Our mutual respect and good faith are what holds them together.

I trust I'm going to surprise you when I move to the next point. Having said all this, I believe--I deeply believe--that the faculty members of this University deserve the opportunity to decide for themselves through discussion, through debate, and through an election whether they want to delegate to a union the right to negotiate terms and conditions of employment, including work load. I think it's time to get on with honest debate on this subject. I think it's time for the people who are skeptical about collective bargaining to speak out. I think it's time for people to talk about bargaining to understand what it is--a two-way street--not a one-way street. If concessions are won, concessions are extracted from the other side. This is not now fully understood. A fiction has been developed

March 5, 1976 meeting, Board of Trustees

VI. SPECIAL ACTION (continued)

A. Collective Bargaining (continued)

President Enarson's Statement (continued)

and is sustained on this campus by the proponents of collective bargaining that somehow it's a one-way street. Somehow, everything that the faculty has now will be protected and sustained. This process will simply enable the faculty to get more. More, incidentally, without increasing fees. More, by going downtown and exercising that 'clout' with the legislature. Well, if the faculty has to come to grips with the reality of unionism, I'm confident that it will be discovered that there are many hazards along the way. But, I repeat, I think the faculty deserves the opportunity to decide. Many of us, and I am one, have wished over the months that this issue would go away, but it won't. And, if an election which is organized on a fair basis is not permitted--an election organized unilaterally by the union and by rules most advantageous to unionization probably will be conducted. So, in a few months, the Board may be confronted with a demand that it bargain. Will the Board then assert that it will have no dealings with the union? I believe, Mr. Chairman and members of this Board, that this issue needs resolution and needs resolution as quickly as possible. Frankly, I think that in this, the Bicentennial Year of this country, it would be ironic to disregard a request for the privilege of voting on a matter of such deep concern to our faculty. If there is inconsistency in these two positions, then so be it. I don't believe I have been inconsistent, but I am emotional on both points. Thank you.

Mr. Dunlap said, "We have a recommendation that the President of The Ohio State University be authorized to make the necessary arrangements to conduct an election to determine if the faculty members of the University wish to be represented in collective bargaining negotiations by the American Association of University Professors."

Mr. Smith moved that the resolution be adopted and Dr. Jacob seconded the motion.

The Chairman then called for discussion.

March 5, 1976 meeting, Board of Trustees

VI. SPECIAL ACTION (continued)

A. Collective Bargaining (continued)

Mr. Harrod:

I agree in part with the President's statement, the latter part I don't agree with. I have been on this Board since 1969, and I don't know when I've been bothered with an issue more than I have been bothered with this issue. It's just inconceivable to me that the highly skilled, highly professional people at the University should be subjected to collective bargaining. I am unalterably opposed to it! I think collective bargaining will be divisive, and may be the first step toward mediocrity within this faculty. For this reason, when it comes time to vote, I'm going to vote 'No.'

Mr. Devenow:

Mr. Chairman, I would like to comment on a matter which, while not directly related with this vote, does deeply concern me since it relates to the credibility and integrity of this Board. There have been inferences the past several months that this Board has dragged its feet on the issue of collective bargaining--that the Board has not faced up to this issue. As the President stated, and since I have been on this Board, I don't know of any other issue to which the Board has given more time, effort and consideration than this particular issue. And to those who have made those inferences, that this Board has needlessly delayed this decision, let me say that I resent such inferences very much, as I'm sure every member of this Board does. Since this issue has come to us, we have had a change in membership on this Board. We have had difficulty in scheduling meetings--for example, our last meeting had to be canceled because of weather, since it was impossible for two of us to get into Columbus. We have other pressing matters to consider, not the least of which involve the financial condition of this University. This Board has refused to be panicked or pushed into a decision which, I think, is to its credit. I think the Board should be commended rather than criticized for that position. In reality, we have had a very short period when considering the magnitude of this issue, to make our decision. Individual decisions such as this are hard, tough calls for each of us. For anyone to think that we could just suddenly, immediately, without due consideration, vote on a matter of this magnitude, to me is utterly repugnant. Mr. Chairman, I appreciate having the opportunity for this comment.

March 5, 1976 meeting, Board of Trustees

VI. SPECIAL ACTION (continued)

A. Collective Bargaining (continued)

Dr. Sirak:

I want to take this opportunity to publicly say some of the things that I said in Executive Session. First, I want to state very emphatically that I think collective bargaining at Ohio State University would be very destructive to this University's purpose and the quality by which it achieves this purpose. Collective bargaining violates the spirit of collegiality, sets faction against faction, students against faculty, graduate students against undergraduate students. I think ample instruments exist on the campus by which faculty can input their attitudes and beliefs to the administration and the Board of this University. For me, however, the one very overriding consideration that influences my vote here today--and I realize that whichever way I vote, or whichever decision this Board comes to, that this position can be changed at a later date by action of the Legislature, or even by this Board itself--is that I do not believe that I can justifiably deny any group the right to vote. It is for this reason that I will vote 'Yes' on the motion. However, if this issue passes, it should be understood that I will do all in my power to educate members of the faculty about the undesirability of collective bargaining at this University. Further, I will insist that the entire faculty of this University be allowed to participate in this vote.

Mr. Hilliker:

I became a member of this Board in November of last year and ever since I have been on this Board, the primary issue before the Board has been collective bargaining. We have heard speakers pro and con--in some cases, not strictly pro and con from a substantive viewpoint whether they are for collective bargaining or whether they are against it--but from a procedural as much as substantive viewpoint. Certain groups feel they should be directly involved--other groups feel they should be involved, but separately, because they are different from another group--graduate students are different from the undergraduates--law students and medical students are different from undergraduate students--the teaching assistants are different from the faculty. What these presentations have convinced me is--and I had been told this--I went to school here and I was really aware of this--that there are a myriad of interests at this University.

March 5, 1976 meeting, Board of Trustees

VI. SPECIAL ACTION (continued)

A. Collective Bargaining (continued)

Mr. Hilliker: (continued)

While I have some of the same substantive concerns about faculty collective bargaining as stated by some other members of the Board, my greater concern now is more of a procedural nature. Quite honestly, I do not believe that, at least presently, I could decide how these myriad of interests should best be served. We have no state enabling legislation. This does not mean I am questioning the power of this Board to substitute its decisions for the Legislature in this instance--I know it can--and create a means by which it can enter into faculty collective bargaining. In my opinion, however, I don't think it is appropriate for this Board to do so. Therefore, until this Board is given the legislative sanctions to do so, I would be forced to vote 'No' on the issue as to whether or not such a vote should be authorized.

Mr. Smith:

I don't think we are breaking new ground on the issue of faculty collective bargaining. We know that in the nation there are some 433 campuses that have already unionized. There are a number of elections on the question of whether or not there will be representation of the faculty presently in the process at other universities through the country, including two Big Ten schools-- University of Wisconsin and University of Minnesota. Elections have also recently been held at two of our sister universities in Ohio. This process is going on in Ohio regardless of whether we have a state statute or not. In point of fact, we presently have well over 70,000 state and local public employees covered by collective bargaining agreements and, in the professional area, probably well over 60,000 classroom school teachers in this state who are covered by collective bargaining agreements, despite the lack of any statutory permission, or established policy, by the State of Ohio.

I would like to respond to what President Enarson just said. I do not agree with the first part of his statement. I don't think it is necessary for me to say that. I agree with the latter part of his statement. I think that he proved the first part of his statement with the latter part

March 5, 1976 meeting, Board of Trustees

VI. SPECIAL ACTION (continued)

A. Collective Bargaining (continued)

Mr. Smith: (continued)

when he said that there is a collegiality that exists on this campus that permits the faculty to be involved in administrative and policy decisions at this University. Right now we are faced with a major policy decision and, if we really do have this collegiality, then certainly we will permit the faculty to participate in this decision. As Mr. Devenow has said, this Board has considered and studied this problem in depth. I know every Board member here has agonized over the problem trying to find the right answer. My conclusion is that we ought to give the faculty the right to agonize over the problem, too, and the best way to do this is as the President suggests, give the faculty the right to an election and let them decide this issue for themselves.

The Chairman then asked the Secretary to call the roll.

Secretary: Mr. Hilliker

Mr. Hilliker: "No"

Secretary: Dr. Jacob

Dr. Jacob:

Over the past six months I have studied intensively the AAUP request for a Board of Trustees authorized collective bargaining election. During this time, the Amended Substitute Senate Bill 70 was considered by the Legislature and Executive Branches of the government of the State of Ohio. This bill which would have provided legal direction and authority for public employee unions failed to become law in the State of Ohio. I therefore cannot justify any position or action which would disregard the actions of the legislative and executive branches of our state government. The question of an exclusive collective bargaining unit for the faculty at The Ohio State University is a most complex issue but I believe that the most important consideration at this time must be the status of enabling legislation. At such a time that Ohio law gives definition to this type of action by public employees I will be most ready to affirm representation election by the faculty at The Ohio State University. At present I think it is clearly my duty as a Trustee to deny the authority for such an election. I therefore vote 'No' on the motion pending.

March 5, 1976 meeting, Board of Trustees

VI. SPECIAL ACTION (continued)

A. Collective Bargaining (continued)

Secretary: Mr. Smith

Mr. Smith: "Yes"

Secretary: Mr. Devenow

Mr. Devenow:

I find it very difficult to understand and accept the concept of collective bargaining as the President outlined it for the faculty, not just Ohio State, but of any university, for most of the reasons as stated by the President. It seems to me that the academic world is different! It is a unique, distinct body which, I believe, already does participate in 'collective bargaining.' However, I would not deny the faculty its right, through an election, to make that determination, and therefore I vote 'Yes.'

Secretary: Mrs. James

Mrs. James:

Mr. Chairman, before I cast my vote, I'd like to make a few comments. I don't think collective bargaining is in the best interest of the University, and there are a number of reasons why I feel this way. I've only picked out three that seem to be haunting me the most. In my opinion, collective bargaining contains the potential for destroying the delicate balance between the many competing interests at the University, particularly since bargaining units have traditionally tended to focus on the interests of the majority, and been less aggressive pertaining to other groups as minorities and women. This became quite clear to me when we had our discussions with the AAUP Executive Committee and Professor Stocker. When I raised this concern, I was informed that this matter hadn't been considered as yet. Further, I see the request for a collective bargaining election as an attempt to circumvent public policy and opinion on public employee bargaining. I agree with my colleague, Dr. Jacob, the public does not wish this to occur. I also believe, in time, a bargaining unit cannot help but overshadow the University Senate, in a concept of shared authority, which will exclude students from the academic decision-making process, perhaps even make the University Senate obsolete. However, I do agree with my

March 5, 1976 meeting, Board of Trustees

VI. SPECIAL ACTION (continued)

A. Collective Bargaining (continued)

Mrs. James: (continued)

colleague, Warren Smith, who says that we're talking about shared authority. It's time to share some of the authority by turning this decision over to the faculty to resolve. Let them help us determine whether or not any short-term monetary gain that may be achieved through collective bargaining is more important than the tradition of excellence at this University. Therefore, I vote 'Yes.'

Secretary: Dr. Sirak

Dr. Sirak: "Yes"

Secretary: Mr. Gushman--Mr. Gushman is not present Mr. Chairman.

Mr. Dunlap: "I believe it is appropriate to read the following letter which I recently received from Mr. Gushman."

March 1, 1976

Mr. John H. Dunlap, Jr., Chairman  
Board of Trustees - Ohio State University  
The Dunlap Company  
Williamsport, Ohio 43164

Dear Mr. Dunlap:

I greatly regret being unable to attend the March 5, 1976 meeting of the Board of Trustees. My schedule had been committed well in advance of this meeting. Moreover, I had expected that we should deal with the subject of the AAUP's request for a collective bargaining election at our February meeting.

It is my understanding that there is no legal authority for a member of the Board to vote either by proxy or by written ballot. I do, however, wish to state, for the record, my position on this extremely important issue.

After considerable thought and study, and after listening with interest to persons representing all sides of the question, it is my judgment that the best interests of the university and its faculty would not be served by entering a collective bargaining relationship. In this regard I found most persuasive the arguments presented by Professors Cerilli, Dewald, Jones, Peterson, Robbins and Shipman.



March 5, 1976 meeting, Board of Trustees

VI. SPECIAL ACTION (continued)

A. Collective Bargaining (continued)

Mr. John H. Dunlap, Jr., Chairman  
Page 2  
March 1, 1976

However, I am not persuaded that the best interests of the university and the faculty would be served by this Board's refusing to authorize an election in which the members of the faculty can decide the issue of their representation for themselves. Accordingly, I support President Enarson's recommendation that such an election be authorized.

Again, I regret not being able to participate in person at this meeting, but appreciate the opportunity to express my views on this critical subject.

Sincerely,

(Signed) John L. Gushman

cc: Dr. Enarson and Dr. Moulton

Secretary: Mr. Harrod

Mr. Harrod: "No"

Secretary: Mr. Dunlap

Mr. Dunlap:

I have spent a great deal of time attempting to arrive at a decision on this issue. I don't think I have ever been as concerned about anything in my life as I am about doing the right thing on this issue.

Since the matter of collective bargaining was first raised with this Board, I have made a concerted effort to educate myself on the subject of collective bargaining in higher education. I have read everything I could find on this subject, I have talked with people from at least a dozen colleges from Nebraska to New York, in the process of reaching my conclusion. The people with whom I have talked are not in favor of collective bargaining for The Ohio State University faculty. I have yet to find a single person among faculty, students, or people around the state that are in favor of it, other than the members of the AAUP Executive Committee.

March 5, 1976 meeting, Board of Trustees

VI. SPECIAL ACTION (continued)

A. Collective Bargaining (continued)

Mr. Dunlap: (continued)

Collective bargaining for our faculty cannot help but eventually place our students and our faculty in adversary roles which would be most regrettable and which would not make for good education here.

The AAUP says they will use political pressures to get higher levels of faculty compensation. If they do get a higher level it probably will be enacted the way the recent pay bill was for our civil servants which means the University is obligated to pay the increases from within the existing resources which cannot help but result in a University student fee increase.

Of course, this is happening right now in just about all the private supported universities in this country. Our students already anticipate this possibility and have expressed a deep interest in this issue, as they should.

Collective bargaining is contrary to greater faculty freedom and professionalism. For a university to be at its best it must be allowed great flexibility to provide for individual variation, not only in work assignments, but in recognition and compensation. However, at the moment there seems to be more concern among faculty unions about bringing up minimums and equalizing working conditions and compensation. In my opinion, such actions would be at the expense of the meritorious faculty members and that will depreciate the educational quality of this University.

Lastly, the State of Ohio has not conferred on this Board any rules for bargaining.

Accordingly, I personally do not see how this Board, independent of legislative authority properly conferred by the state can establish collective bargaining procedures for The Ohio State University.

I think Ohio State University is one of the great universities of this country, and while I am on this Board I do not intend to willingly do anything which will degrade it or hurt it in any way, which I am afraid that this would do. As I said, I have given this much thought and have talked to many people, and this is my opinion, so I must vote 'No' on this issue.

March 5, 1976 meeting, Board of Trustees

VI. SPECIAL ACTION (continued)

A. Collective Bargaining (continued)

Secretary: "The vote is 4 to 4; therefore, the motion fails for lack of a majority."

Dr. Sirak then asked if there was a member of the AAUP present.

Dr. Sirak was informed that there was no member present.

\*

\*

\*

Thereupon the Board adjourned to meet Friday, April 2, 1976, at The Ohio State University Marion Campus, Marion, Ohio, at 10:30 a.m.

Attest:

\_\_\_\_\_  
Edward Q. Moulton  
Secretary

\_\_\_\_\_  
John H. Dunlap  
Chairman

Page 452 Blank

APPENDIX IV

Degrees Conferred at

THE OHIO STATE UNIVERSITY  
COMMENCEMENT CONVOCATION

March 19, 1976

Page 454 Blank

**Alex Haley**  
**Author**

A high school graduate at age 15 and a messboy in the United States Coast Guard at 18, Alex Haley has emerged from the seemingly ordinary life of a Tennessee youth as an author, popular lecturer, and an exemplar for all Americans.

Many of Mr. Haley's written works have appeared in **Harper's**, **The Atlantic Monthly**, and **The New York Times Magazine**. He held a staff position with **Reader's Digest** and was chief interviewer for **Playboy**. An interview for **Playboy** interested Mr. Haley in Malcolm X and resulted in his **The Autobiography of Malcolm X**. Published in eight languages, the book sold more than five million copies, was a Literary Guild selection, and was designated among the "Ten Best American Books of the 1960s Decade."

Mr. Haley's newest book, **Roots**, is based on his family history traced to its African beginnings. It will be adapted for a television special and motion picture.

The Ohio State University is honored to have Alex Haley present today to address the 255th graduating class.

**Leon N Cooper**  
**Professor of Science, Brown University**

Leon Cooper has carried out with enthusiasm and effectiveness the responsibilities indigenous to the scientific province.

Eager to investigate the intricacies of theoretical physics, he immersed himself in research and experimentation, ultimately making essential breakthroughs for which he received world acclaim. His assistance in the development of an important theory of superconductivity earned for him and his colleagues the Nobel Prize in 1972, testimony to his excellence in his field. His readiness to disseminate his findings through teaching and publication mark him as an exemplary disciple of the humanitarian ideal—the giving of himself and his mind for improved life for man.

In view of his seminal contributions to science and to our understanding of it, and in recognition of his educational leadership, The Ohio State University is honored to confer upon Leon N Cooper the honorary degree, Doctor of Science.

## Graduate School

Dean: Jules B. LaPidus

### Doctor of Philosophy

One hundred and eight candidates

Curtis Peter Adkins, Columbus  
A.B., M.A. (University of California at Berkeley)  
*Field of Specialization:* East Asian Languages and  
Literatures  
*Adviser:* Dr. David Y. Ch'en

Dan Charles Allen, St. Joe, Ark.  
B.A. (University of Arkansas); M.A.  
*Field of Specialization:* History  
*Adviser:* Dr. Harry L. Coles

Lazar I. Almasanu, Marion  
Diploma E.E. (Bucharest Polytechnic Institute,  
Rumania); M.S.  
*Field of Specialization:* Electrical Engineering  
*Adviser:* Dr. F. Carlin Weimer

Donatus I. Amaram, Isu-Orlu, Nigeria  
B.A. (Howard University); M.B.A. (University of  
Missouri)  
*Field of Specialization:* Business Administration  
*Adviser:* Dr. Robert C. Miljus

Bernard Alan Amero, Medford, Mass.  
B.S. (Providence College)  
*Field of Specialization:* Chemistry  
*Adviser:* Dr. Eugene P. Schram

Marshall D. Amesquita, Palos Hills, Ill.  
B.S. (University of Illinois); M.A.  
*Field of Specialization:* Education  
*Adviser:* Dr. Robert Bargar

Marilyn Patricia Anderson, Detroit, Mich.  
B.S., D.V.M., M.S. (Michigan State University)  
*Field of Specialization:* Veterinary Pathobiology  
*Adviser:* Dr. Charles C. Capen

Eugene Robin Baizman, Columbus  
B.S., M.S. (Massachusetts College of Pharmacy)  
*Field of Specialization:* Pharmacy  
*Adviser:* Dr. Harold M. Wolf

Howard S. Banchevsky, Columbus  
B.S.Ed. (City College); M.A.  
*Field of Specialization:* Education  
*Adviser:* Dr. William D. Dowling

Gerard Emile Boutin, Philippi, W. Va.  
B.A. (Fairmont State College); M.S. (West Virginia  
University)  
*Field of Specialization:* Education  
*Adviser:* Dr. Herman J. Peters

John Joseph Bowers, Oshkosh, Wis.  
B.S.Ed., M.S.Ed. (University of Dayton)  
*Field of Specialization:* Education  
*Adviser:* Dr. John J. Kennedy

James Walter Bryer, Jr., Cahokia, Ill.  
B.S. (Saint Louis University); M.A.  
*Field of Specialization:* Psychology  
*Adviser:* Dr. Samuel H. Osipow

Evelyn Honor Burrows, Chester, S. C.  
B.S. (Hampton Institute); M.A.  
*Field of Specialization:* Communication  
*Adviser:* Dr. Sheila M. Goff

\*Michael Joseph Carson, Indianapolis, Ind.  
B.A. (Evansville College); M.A. (Miami University)  
*Field of Specialization:* English  
*Adviser:* Dr. Edwin W. Robbins

Adele Feldman Chafetz, Columbus  
B.F.A. (Rhode Island School of Design)  
*Field of Specialization:* Art Education  
*Adviser:* Dr. Arthur D. Efland

Young Gui Chai, Seoul, Korea  
B.S. (Seoul National University); M.S.  
*Field of Specialization:* Electrical Engineering  
*Adviser:* Dr. William W. Anderson

Kamal Kanti Chakravarti, Agartala, India  
B.S. (Burdwan Raj College); M.S. (Calcutta University);  
M.S.  
*Field of Specialization:* Mathematics  
*Adviser:* Dr. G. Neil Robertson

Wallace Chandler, Columbus  
B.S.Ed., M.A.  
*Field of Specialization:* Education  
*Adviser:* Dr. Charles M. Galloway

Kuang-I Chang, Tao-Yuan, Taiwan  
B.S. (Chung Yuan Christian College of Science and  
Engineering); M.S.  
*Field of Specialization:* Mathematics  
*Adviser:* Dr. D. K. Ray-Chaudhuri

Hung-Erh Chaung, Tainan, Taiwan  
B.S. (Taiwan Cheng Kung University)  
*Field of Specialization:* Metallurgical Engineering  
*Adviser:* Dr. Roger W. Staehle

Martha I-hwa Chu, Columbus  
B.S. (Fu Jen Catholic University, Taiwan);  
M.S. (University of Maryland)  
*Field of Specialization:* Food Science and Nutrition  
*Adviser:* Dr. John B. Allred

Michael Anthony Cowan, Chicago, Ill.  
B.S. (Loyola University); M.A.  
*Field of Specialization:* Psychology  
*Adviser:* Dr. Lyle D. Schmidt

Tommy Day Crouch, Columbus  
A.B. (Ohio University); M.A. (Miami University)  
*Field of Specialization:* History  
*Advisers:* Dr. John C. Burnham and  
Dr. Merritt Roe Smith

Gary Lynn Denman, Piqua  
M.E. (University of Cincinnati); M.S.  
*Field of Specialization:* Mechanical Engineering  
*Adviser:* Dr. Charles D. Jones

Ronald Anthony Eckerle, Cincinnati  
A.B. (Villa Madonna College); M.S.W. (Loyola  
University)  
*Field of Specialization:* Social Work  
*Adviser:* Dr. Merriss Cornell

\* Degree granted in cooperation with Miami University



Panayotis Fatouros, Athens, Greece  
B.S. (University of Miami)  
*Field of Specialization*: Physics  
*Adviser*: Dr. David O. Edwards

Patricia Joann Fettig, Saginaw, Mich.  
B.S. (Aquinas College)  
*Field of Specialization*: Microbiology  
*Adviser*: Dr. James I. Frea

Marcia Booher Gealy, Columbus  
B.A. (Howard College); M.A. (Columbia University)  
*Field of Specialization*: English  
*Adviser*: Dr. John M. Muste

Jean Elizabeth Girves, Columbus  
B.A. (Northwestern University); M.A.  
*Field of Specialization*: Education  
*Adviser*: Dr. Donald P. Sanders

Dennis Norman Gombert, Columbus  
B.S.Ed. (State University of New York College at  
Buffalo); M.A. (Indiana State University); M.A.  
*Field of Specialization*: Political Science  
*Adviser*: Dr. Charles F. Hermann

Paul Douglas Hammesfahr, Walkkill, N. Y.  
B.S. (Rochester Institute of Technology)  
*Field of Specialization*: Pharmacy  
*Adviser*: Dr. Lester Mitscher

Paul Robert Heller, Wooster  
B.A. (Malone College); M.S.  
*Field of Specialization*: Entomology  
*Adviser*: Dr. Robert E. Treese

Kleo-Thong Hetrakul, Bangkok, Thailand  
B.A. (McGill University, Canada); M.A. (Cornell  
University)  
*Field of Specialization*: Agricultural Economics and  
Rural Sociology  
*Adviser*: Dr. Francis E. Walker

Yan-Shek Hoh, Kowloon, Hong Kong  
B.Sc. (Chung Chi College); B.Sc. (University of Hong  
Kong); M.Sc. (Stephen F. Austin State University)  
*Field of Specialization*: Physics  
*Adviser*: Dr. K. Narahari Rao

Yann Hung, Taipei, Taiwan  
B.S. (National Taiwan University)  
*Field of Specialization*: Chemistry  
*Adviser*: Dr. Daryle H. Busch

Frank Floyd Jaszcz, Detroit, Mich.  
B.S., M.S. (University of Detroit)  
*Field of Specialization*: Zoology  
*Adviser*: Dr. John L. Crites

William Edward Julien, Columbia, Mo.  
B.S. (University of Vermont); M.S. (University of  
Missouri)  
*Field of Specialization*: Dairy Science  
*Adviser*: Dr. Harry R. Conrad

Donald Neal Kaiser, Hayward, Calif.  
B.A. (University of California at Berkeley); M.A.  
*Field of Specialization*: Psychology  
*Adviser*: Dr. Curt A. Sandman

Christos Haralampos Kehagias, Volds, Greece  
Ptyhian (Aristotelian University of Thessaloniki)  
*Field of Specialization*: Food Science and Nutrition  
*Adviser*: Dr. Poul M. T. Hansen

Kevin Anthony Kelly, Columbus  
B.S. (University of Notre Dame); M.S. (Yale  
University); M.S.  
*Field of Specialization*: Nuclear Engineering  
*Adviser*: Dr. Robert F. Redmond

Aryeh George Kidron, Tel Aviv, Israel  
B.A., M.B.A. (Tel-Aviv University)  
*Field of Specialization*: Business Administration  
*Adviser*: Dr. Steven Kerr

Thomas Louis Koepnick, Kettering  
B.A. (University of Dayton); M.A.  
*Field of Specialization*: History  
*Adviser*: Dr. Michael W. Curran

James Elwood Kohl, Columbus  
B.S. (Muskingum College); M.S.  
*Field of Specialization*: Physics  
*Adviser*: Dr. James R. Gaines

Charles Richard Krause, Delaware  
B.S., M.S.  
*Field of Specialization*: Plant Pathology  
*Adviser*: Dr. T. Craig Weidensaul

Hsiao-Chia Kung, Taipei, Taiwan  
B.S. (National Taiwan University); M.S. (Mississippi  
State University); M.S.  
*Field of Specialization*: Animal Science  
*Adviser*: Dr. Richard F. Wilson

Ruth Bradbury LaMonte, Birmingham, Ala.  
B.S.Ed. (Ohio University); M.Sc. (Western Illinois  
University)  
*Field of Specialization*: Education  
*Adviser*: Dr. Richard N. Pratte

Marc Allen Lindberg, Duluth, Minn.  
B.A. (University of Minnesota); M.A.  
*Field of Specialization*: Psychology  
*Adviser*: Dr. Delos D. Wickens

Elaine Marie Litton-Hawes, Columbus  
B.A. (Rhode Island College); M.A. (University of  
Minnesota)  
*Field of Specialization*: Communication  
*Adviser*: Dr. David H. Smith

Rita Lynn, State College, Pa.  
B.S. (Pennsylvania State University); M.S.  
*Field of Specialization*: Dairy Science  
*Adviser*: Dr. Wayne R. Gomes

Maurice Nicolas Marchon, Fribourg, Switzerland  
Licence (Université de Fribourg); M.A.  
*Field of Specialization*: Economics  
*Adviser*: Dr. Edward J. Kane

Robert Paul Markot, Springfield, Mass.  
B.S. (Worcester Polytechnic Institute); M.S.  
*Field of Specialization*: Mathematics  
*Adviser*: Dr. Koichiro Harada

Alan Brent McConkie, Columbus  
B.A. (University of Utah); M.A.  
*Field of Specialization:* Psychology  
*Adviser:* Dr. Dean H. Owen

Sandra Hastings McCormick, Columbus  
B.S.Ed., M.A.  
*Field of Specialization:* Education  
*Adviser:* Dr. Charles B. Huelsman, Jr.

Eileen Craven McSaveney, Columbus  
B.A. (State University of New York College at Buffalo);  
M.S.  
*Field of Specialization:* Geology and Mineralogy  
*Adviser:* Dr. Sidney E. White

Paul George Michael, Wintersville  
B.S. (Youngstown State University);  
M.Ed. (Westminster College)  
*Field of Specialization:* Education  
*Adviser:* Dr. Neal E. Vivian

Kenneth Ernest Miller, Willoughby, Australia  
B.Com. (University of New South Wales); M.B.A.  
*Field of Specialization:* Business Administration  
*Adviser:* Dr. Clark Leavitt

Franklin Calvin Mohler, II, Hilliard  
B.A., M.A.  
*Field of Specialization:* Theatre  
*Adviser:* Dr. Alan L. Woods

Avijit Mukherjee, Calcutta, India  
B.Sc. (University of Calcutta); M.A. (University of  
Rochester)  
*Field of Specialization:* Physics  
*Adviser:* Dr. James R. Gaines

Carol Ruth Nechemias, Cincinnati  
A.B. (Washington University); M.A.  
*Field of Specialization:* Political Science  
*Adviser:* Dr. Philip D. Stewart

Nancy Ann Nowik, Chicago, Ill.  
A.B. (Mundelein College); A.M. (Stanford University)  
*Field of Specialization:* English  
*Adviser:* Dr. Julian H. Markels

Mieko Ohso, Oku-Gun, Japan  
B.A., M.A. (International Christian University); M.A.  
*Field of Specialization:* Linguistics  
*Adviser:* Dr. Arnold M. Zwicky

James Joseph Olsen, Dayton  
B.A.E. (University of Minnesota); M.S.  
*Field of Specialization:* Aeronautical and Astronautical  
Engineering  
*Adviser:* Dr. Stuart L. Petrie

Andrew Joseph Oravets, Toledo  
B.A. (University of Dayton); M.A.  
*Field of Specialization:* English  
*Adviser:* Dr. Julian H. Markels

David Edward Orin, McDermott  
B.E.E., M.S.  
*Field of Specialization:* Electrical Engineering  
*Adviser:* Dr. Robert B. McGhee

Sat Pal, Delhi, India  
B.A., M.A. (University of Delhi); M.S.  
*Field of Specialization:* Mathematics  
*Adviser:* Dr. Manohar L. Madan

Shirley Adams Palmer, Worthington  
B.A., M.A.  
*Field of Specialization:* Sociology  
*Adviser:* Dr. Russell R. Dynes

Dennis Andrew Pernotto, Columbus  
A.B., B.S.Ed. (Youngstown State University);  
M.Ed. (Westminster College)  
*Field of Specialization:* Education  
*Adviser:* Dr. I. Keith Tyler

Ananda Kumar Praturi, Vijayawada, India  
B.Tech., M.Tech. (Andhra University); M.S.  
*Field of Specialization:* Chemical Engineering  
*Adviser:* Dr. Robert S. Brodkey

James Bullock Price, Englewood  
B.S.Nucl.Engr. (University of Tennessee); M.S.  
*Field of Specialization:* Nuclear Engineering  
*Adviser:* Dr. Robert F. Redmond

Ramon Ricardo Priestino, Powell  
B.A. (Presbyterian College); M.S. (Florida State  
University)  
*Field of Specialization:* Education  
*Adviser:* Dr. Anthony C. Riccio

Wade Ronald Ragas, Columbus  
B.A., M.B.A. (Louisiana State University and  
Agricultural and Mechanical College)  
*Field of Specialization:* Business Administration  
*Adviser:* Dr. William B. Brueggeman

Kunwar Krishan Rampal, Kanpur, India  
B.Sc., M.Sc. (Delhi University); M.S.  
*Field of Specialization:* Geodetic Science  
*Adviser:* Dr. Dean C. Merchant

Cecil Clay Reames, Pride, La.  
B.S. (Louisiana State University and Agricultural and  
Mechanical College); M.S.  
*Field of Specialization:* Computer and Information Science  
*Adviser:* Dr. Ming T. Liu

James Patrick Reardon, Johnstown  
B.S.Ed., M.Ed. (Bowling Green State University)  
*Field of Specialization:* Education  
*Adviser:* Dr. Donald J. Tosi

John LaVerne Regner, Columbus  
B.S.Phys., M.S.  
*Field of Specialization:* Physics  
*Adviser:* Dr. Timothy R. Donoghue

Irma Esner Rendina, Bowling Green  
B.A. (Brooklyn College); M.A. (University of Wisconsin)  
*Field of Specialization:* Home Economics  
*Adviser:* Dr. Jean D. Dickerscheid

Christopher Knox Rich., Columbus  
B.S. (Yale University); M.A.  
*Field of Specialization:* Psychology  
*Adviser:* Dr. Malcolm M. Helper

Wayne Francis Robinson, Glen Waverly, Australia  
B.V.Sc. (University of Melbourne)  
*Field of Specialization:* Veterinary Pathobiology  
*Advisers:* Dr. Adalbert Koestner and  
Dr. Sanford P. Bishop

Anelja Elizabeth Rugaleva, Columbus  
Diploma, Candidate Philology (Lenin State Pedagogical  
Institute, Russia)  
*Field of Specialization:* Slavic Languages and Literatures  
*Adviser:* Dr. David F. Robinson

John Arthur Rumberger, Jr., Lisbon  
B.A.A.E., M.S.  
*Field of Specialization:* Aeronautical and Astronautical  
Engineering  
*Adviser:* Dr. Robert M. Nerem

Roger Terry Russell, Columbus  
B.A.; M.Div. (Methodist Theological School in Ohio)  
*Field of Specialization:* Education  
*Adviser:* Dr. Robert B. Sutton

Sayad Kazem Sadr, Tehran, Iran  
B.S., M.S. (American University of Beirut)  
*Field of Specialization:* Agricultural Economics and  
Rural Sociology  
*Adviser:* Dr. Leroy J. Hushak

Jutta Schroers Sanford, Columbus  
B.A. (University of Maryland); M.A.  
*Field of Specialization:* History  
*Adviser:* Dr. Andreas Dorpalen

William Michael Servedio, Columbus  
B.S. (Springfield College); M.S. (University of  
Bridgeport)  
*Field of Specialization:* Physical Education  
*Adviser:* Dr. Charles L. Mand

Mitchell Bennett Shapiro, Cincinnati  
B.A. (University of Cincinnati); M.B.A.  
*Field of Specialization:* Business Administration  
*Adviser:* Dr. H. Randolph Bobbitt, Jr.

Ed Mordechai Sharon, Haifa, Israel  
B.Sc., M.Sc. (Technion, Israel Institute of Technology);  
M.B.A.  
*Field of Specialization:* Industrial and Systems  
Engineering  
*Adviser:* Dr. William T. Morris

Roger Floyd Sheppard, Bellevue  
B.S. (Ohio University); M.S.  
*Field of Specialization:* Entomology  
*Adviser:* Dr. Gordon R. Stairs

Timothy Ellis Smith, Winchester, Mass.  
B.A. (Ohio Wesleyan University)  
*Field of Specialization:* Geology and Mineralogy  
*Adviser:* Dr. Hallan C. Noltmier

Raymond Dillard Smoot, Lynchburg, Va.  
B.A., M.Ed. (Virginia Polytechnic Institute)  
*Field of Specialization:* Education  
*Adviser:* Dr. Raphael O. Nystrand

Jeffrey Jay St. Clair, Masontown, Pa.  
B.A. (Pennsylvania State University); M.A.  
*Field of Specialization:* Romance Languages and  
Literatures  
*Adviser:* Dr. Hans E. Keller

Sigel Glenn Stocker, Dennison  
B.S.Agr., M.S.  
*Field of Specialization:* Dairy Science  
*Adviser:* Dr. Walter R. Harvey

Dean Edward Swanson, St. Paul, Minn.  
B.A. (University of Minnesota); M.A.  
*Field of Specialization:* Political Science  
*Adviser:* Dr. Charles F. Hermann

Andrew Stephen Szarka, Columbus  
B.A. (State University of New York College at  
Potsdam); M.A. (Ohio University)  
*Field of Specialization:* History  
*Adviser:* Dr. John C. Rule

Verta Ann Taylor, Jonesboro, Ark.  
B.A. (Indiana State University); M.A.  
*Field of Specialization:* Sociology  
*Adviser:* Dr. Enrico L. Quarantelli

Willie Hardman Thomas, Ferriday, La.  
B.S. (Grambling College of Louisiana); M.S. (Tuskegee  
Institute)  
*Field of Specialization:* Education  
*Adviser:* Dr. William D. Dowling

Michael Paul Thompson, Orient  
B.M.E., M.S.  
*Field of Specialization:* Mechanical Engineering  
*Adviser:* Dr. H. W. Engleman

Mary Ann Roslyn Trombetta, Mingo Junction  
B.A. (West Liberty State College); M.A.  
*Field of Specialization:* Communication  
*Adviser:* Dr. John W. Black

Forrest Clark Tyson, Longmeadow, Mass.  
B.S., M.S. (Springfield College)  
*Field of Specialization:* Physical Education  
*Adviser:* Dr. Charles L. Mand

William Joseph Vollmar, Columbus  
B.A., M.A. (Marquette University)  
*Field of Specialization:* History  
*Adviser:* Dr. Harry L. Coles

John Reed Walton, Bellefontaine  
B.S.Bus.Adm., M.A.  
*Field of Specialization:* Business Administration  
*Adviser:* Dr. Clark Leavitt

Carol Anne Watson, Fort Thomas, Ky.  
A.B. (Eastern Kentucky University); M.A.  
*Field of Specialization:* Communication  
*Adviser:* Dr. William Melnick

William Joseph Weaver, Columbus  
B.S.Ed., M.A.  
*Field of Specialization:* Education  
*Adviser:* Dr. Herman J. Peters

Stephen Dahl Westbrook, Chesteron, Ind.  
B.S. (United States Military Academy); M.A.  
*Field of Specialization:* Political Science  
*Adviser:* Dr. Charles F. Hermann

Allan Jay Wexler, Brooklyn, N. Y.  
B.S. (Brooklyn College); M.S.  
*Field of Specialization:* Chemistry  
*Adviser:* Dr. John S. Swenton

John Thurman Yarrington, Worthington  
D.V.M.; M.S. (Michigan State University)  
*Field of Specialization:* Veterinary Pathobiology  
*Adviser:* Dr. Charles C. Capen

Edgar Paul Yoder, Millersburg  
B.S.Agr., M.S.  
*Field of Specialization:* Agricultural Education  
*Adviser:* Dr. Ralph E. Bender

Donn Curtis Young, Columbus  
B.S., M.S.  
*Field of Specialization:* Botany  
*Adviser:* Dr. Clarence E. Taft

Chong Long Yu, Taipei, Taiwan  
B.S.E.E. (University of Kansas); M.S.  
*Field of Specialization:* Electrical Engineering  
*Adviser:* Dr. Carlton H. Walter

### Master of Accounting

Four candidates

Michael J. Howard,  
Kalamazoo, Mich.  
B.A. (Ohio Wesleyan University)  
*Field of Specialization: Accounting*

Lois Ann McAdoo, Columbus  
B.A.  
*Field of Specialization: Accounting*

William Earnest Royal, Jr.,  
Savannah, Ga.  
B.S. (Savannah State College)  
*Field of Specialization: Accounting*

James H. Seeger, Whitehall  
B.S.Bus.Adm.  
*Field of Specialization: Accounting*

Karen Samios Balko, Columbus  
B.S.Ed. (California State College  
of Pennsylvania)  
*Field of Specialization: Education*

Bronwyn Ann Bence, Allentown, Pa.  
B.S. (Pennsylvania State University)  
*Field of Specialization: Education*

Bruce Alan Benjamin,  
Mayfield Heights  
B.A. (Miami University)  
*Field of Specialization: Public  
Administration*

Antonia Boari, Ferrara, Italy  
M.D. (Università Cattolica del  
Sacro Cuore)  
*Field of Specialization:  
Communication*

Lois Elaine Bosse, Columbus  
B.S.Ed.  
*Field of Specialization: Education*

Karen Bruccoli, Youngstown  
B.S.Ed.  
*Field of Specialization: Journalism*

Paula Shafer Butterfield, Columbus  
B.A.  
*Field of Specialization: English*

Mary Lou Butts, Odessa, N. Y.  
B.S. (Ithaca College)  
*Field of Specialization: Physical  
Education*

Dorothy Loew Cameron, Columbus  
A.B. (Indiana University); M.A.  
*Field of Specialization: English*

Ronald Wayne Cameron, Mt. Vernon  
A.B. (Olivet Nazarene College)  
*Field of Specialization: Education*

William W. Camp, Columbus  
B.S.B.A. (Franklin University)  
*Field of Specialization: Education*

Darlyn Joy Campbell, Lima  
B.F.A.  
*Field of Specialization: Journalism*

Nancy Kay Campbell,  
Washington C. H.  
B.S.Ed.  
*Field of Specialization: Education*

Katrina B. Carson, Columbus  
B.S.Ed. (West Virginia State  
College)  
*Field of Specialization: Education*

Valerie Dee Chakeres, Worthington  
B.M. (Ohio Wesleyan University)  
*Field of Specialization: Music*

Esther Davis Chedel, Columbus  
B.A. (University of Minnesota)  
*Field of Specialization: Anthropology*

Phyllis R. Chesley, LaPlata, Md.  
B.S. (Virginia State College)  
*Field of Specialization:  
Communication*

David L. Clinefelter, Columbus  
B.A. (Graceland College)  
*Field of Specialization: Education*

Josephine Ann Colli, Columbus  
B.S.Soc.Wel., M.S.W.  
*Field of Specialization: Public  
Administration*

Stephen J. Corwin, Columbus  
B.S.Bus.Adm.  
*Field of Specialization: Education*

Nancy L. Crist, Columbus  
B.S.Ed.  
*Field of Specialization: Education*

Eduardo Ignacio Diaz,  
Manzanillo, Cuba  
B.S. (Guilford College)  
*Field of Specialization: Psychology*

Linda N. Dreyfuss, Columbus  
B.S.Ed.  
*Field of Specialization: Education*

Jan Dysert Dunham, Columbus  
B.A. (Western Illinois University)  
*Field of Specialization: Sociology*

Neil Thomas Duskis, Syosset, N. Y.  
B.A. (Coe College)  
*Field of Specialization: History*

Stephen Earl Eaton, Clyde  
B.S.Ed.  
*Field of Specialization: Education*

Jeanine Marie Eilers, Columbus  
B.A. (College of Mount Saint Joseph  
on the Ohio)  
*Field of Specialization: Public  
Administration*

Harry E. Eisel, Columbus  
B.A. (Saint Charles Borromeo  
College); M.R.Ed. (Pontifical College  
Josephinum)  
*Field of Specialization: Psychology*

Neimat Ahmed Eltiraifi,  
Khartoum, Sudan  
Diploma (College of Fine and  
Applied Art)  
*Field of Specialization: Black Studies*

George Edward Felton, Jr., Marion  
B.A. (DePauw University)  
*Field of Specialization: English*

Loretta Louise Ferdi, Columbus  
B.A. (Michigan State University)  
*Field of Specialization: Education*

### Master of Architecture

Three candidates

Hugo Mario Romero, Lima, Peru  
Ben Ciencias (Universidad Nacional  
de Ingenieria)  
*Field of Specialization: Architecture*

J. Christopher Rooney, Findlay  
B.A.Arch. (Ohio University)  
*Field of Specialization: Architecture*

R. Jeffrey Smith, Buffalo, N. Y.  
B.F.A. (University of New Mexico)  
*Field of Specialization: Architecture*

### Master of Arts

One hundred and nineteen candidates

Abdelaziz Mohammed Abdelaziz,  
Cairo, Egypt  
B.Sc., Diploma (Ain Shams  
University)  
*Field of Specialization: Education*

John Frederick Allen, Gahanna  
B.S.Ed. (University of Dayton)  
*Field of Specialization: Education*

Joan Marie Amstutz, Marion  
B.A. (Bluffton College)  
*Field of Specialization: Education*

Sue Erdman Anderson, Columbus  
B.A.  
*Field of Specialization:  
Communication*

Daniel E. Ansel, Columbus  
B.S.Ed.  
*Field of Specialization: Education*

Steven J. Fleck, Mishicot, Wis.  
B.S. (Wisconsin State University)  
*Field of Specialization*: Physical  
Education

Dorothy Doon Foley, Worthington  
B.S.Ed. (Worcester State College)  
*Field of Specialization*: Education

Rachel B. Foster, Washington C. H.  
B.A. (Philander Smith College)  
*Field of Specialization*: Education

Juanita J. Francis, Youngstown  
B.A.  
*Field of Specialization*: Education

Mary Kay Zampogna Frank,  
Columbus  
B.A. (Mercyhurst College)  
*Field of Specialization*: Education

Janet Mae Galchick, Columbus  
B.A.  
*Field of Specialization*: Political  
Science

Vicki Raney Gibson, Columbus  
B.S. (Eastern Kentucky University)  
*Field of Specialization*: Education

Debra Lea Grantz, Youngstown  
B.A.  
*Field of Specialization*:  
Communication

Earnestine Green, Swainsboro, Ga.  
B.S. (Fort Valley State College)  
*Field of Specialization*:  
Communication

Allen Dale Griffiths, Columbus  
B.S., O.D.  
*Field of Specialization*: Education

Clement J. Hamilton, Kettering  
B.S.J. (West Virginia University)  
*Field of Specialization*: Journalism

Gary M. Harpst, Findlay  
B.S.Bus.Adm.  
*Field of Specialization*: Business  
Administration

Phyllis B. Hartley, Stoutsville  
B.S.Ed. (Otterbein College)  
*Field of Specialization*: Education

Paul Michael Hazlinger, Cleveland  
B.S.B.A. (Xavier University);  
M.C.R.P.  
*Field of Specialization*: Public  
Administration

Daniel Steven Hoffman, Columbus  
B.A. (Capital University)  
*Field of Specialization*: Education

Marilyn G. Hood, Columbus  
B.A. (Winona State College)  
*Field of Specialization*: Journalism

Susan Stephens Hsu, Columbus  
B.A.  
*Field of Specialization*: Romance  
Languages and Literatures

Holly Harden Hughey, Cincinnati  
B.A. (Denison University)  
*Field of Specialization*: English

Linda R. Hunter, Galion  
B.F.A. (Ohio University)  
*Field of Specialization*: Education

John Otto Isenhath, III,  
Parma Heights  
B.S.H.S.S. (Ohio University)  
*Field of Specialization*:  
Communication

Takeo Iwaida, Tokyo, Japan  
B.C. (Chuo University);  
B.S. (Oregon State University)  
*Field of Specialization*: Journalism

Garrett Arthur Jacobsen,  
Willingsboro, N. J.  
A.B. (Franklin and Marshall College)  
*Field of Specialization*: Classics

John P. Johnson, Columbus  
B.S.Ed.  
*Field of Specialization*: Education

Richard Allan Jones, Columbus  
B.A.  
*Field of Specialization*: Journalism

Youngna Kim, Seoul, Korea  
B.A. (Muhlenberg College)  
*Field of Specialization*: History  
of Art

Jo Ann Kovach, Cincinnati  
B.A.Jour.  
*Field of Specialization*: Journalism

Craig Alan Kridel, Worthington  
B.G.S. (Ohio University)  
*Field of Specialization*: Education

Rebecca L. Kukla, Greenhills  
B.S.Ed. (Miami University)  
*Field of Specialization*: Education

Michael D. Leary, Columbus  
B.A. (Pontifical College Josephinum)  
*Field of Specialization*: Education

Kathy Lou Lemley, East Palestine  
B.A.  
*Field of Specialization*:  
Communication

Nancy Sue Levin, Mansfield  
B.A. (University of Wisconsin)  
*Field of Specialization*: Linguistics

James Paul Liddle,  
Watkins Glen, N. Y.  
A.A.S. (Broome Technical  
Community College);  
B.S. (State University of New York  
College at Cortland)  
*Field of Specialization*: Education

Susan R. Linder, Columbus  
B.A. (Miami University)  
*Field of Specialization*: Education

Zilla Loon, Tivon, Israel  
B.A. (University of Tel Aviv)  
*Field of Specialization*: Education

Yvonne Michele Luketich,  
Charleroi, Pa.  
B.S.Ed. (Indiana University of  
Pennsylvania)  
*Field of Specialization*: Slavic  
Languages and Literatures

Roy Coleman Major, Columbus  
B.A. (University of Akron);  
M.A. (University of Arizona)  
*Field of Specialization*: Linguistics

Susan A. Malowney, Arlington, Va.  
B.A. (American University)  
*Field of Specialization*: Education

Frank Norman Marlor, Westerville  
B.S.Ed.  
*Field of Specialization*: Education

Linda L. Marshall, Columbus  
B.S.Soc.Wel.  
*Field of Specialization*: Public  
Administration

Sherry Ann Martin, Lynn, Ind.  
B.A. (Purdue University)  
*Field of Specialization*: Journalism

Joelle Mast, Elizabeth, N. J.  
A.B. (Smith College)  
*Field of Specialization*: Psychology

Jane G. McAuliffe, Pickerington  
B.S.Ed. (Ohio University)  
*Field of Specialization*: Education

Patricia M. McGee, Reynoldsburg  
B.S. (Capital University)  
*Field of Specialization*: Education

Linda K. Meadows,  
Huntington, W. Va.  
B.A. (Marshall University)  
*Field of Specialization*: Romance  
Languages and Literatures

John Otis Meekins, III, Columbus  
B.S. (Eastern New Mexico  
University)  
*Field of Specialization*: Journalism

William Allen Miller, Cleveland  
B.S. (Capital University)  
*Field of Specialization*: Education

- Kenneth Girard Montag, Cincinnati  
B.A. (Wittenberg University)  
*Field of Specialization:* Education
- Joan Louise Neff, Claymont, Del.  
B.A. (University of Delaware)  
*Field of Specialization:* Sociology
- Brian Richard O'Mara, Hilliard  
B.S.Ed. (Kent State University)  
*Field of Specialization:* Education
- Jan Charles Opper, Beachwood  
B.B.A. (University of Toledo)  
*Field of Specialization:* Public Administration
- Becky Parrish, Columbus  
B.M. (Westminster Choir College)  
*Field of Specialization:* Music
- James H. Parsons, Falls Church, Va.  
B.S. (United States Air Force Academy)  
*Field of Specialization:* Philosophy
- Merel Eugene Pickenpaugh, Jr., Newark  
B.A. (Olivet Nazarene College)  
*Field of Specialization:* Public Administration
- Lynn Buralli Pohronezny, Columbus  
B.A. (Moravian College)  
*Field of Specialization:* Music
- Christopher Polischuck, Greene, N. Y.  
B.S.Bus.Adm.  
*Field of Specialization:* Public Administration
- Margaret Emily Redmond, Lansing, Mich.  
B.A. (Michigan State University)  
*Field of Specialization:* German
- David Jay Reiff, Mansfield  
B.S.Ed.  
*Field of Specialization:* Journalism
- Joyce Cecily Rich, Pittsburgh, Pa.  
B.A. (Miami University)  
*Field of Specialization:* Communication
- Karl W. Ritzler, Marion  
B.A.Jour.  
*Field of Specialization:* Journalism
- Carole J. Rogers, Worthington  
B.A. (Hood College)  
*Field of Specialization:* History
- Karl Edward Rosenberg, Wilmington  
B.A.  
*Field of Specialization:* Psychology
- Jan B. Russell, Plain City  
B.S.Ed.  
*Field of Specialization:* Education
- Angela Ann Rutherford, Columbus  
B.S.Ed.  
*Field of Specialization:* Education
- Pamela K. Scott, Cincinnati  
B.A., B.S.Ed.  
*Field of Specialization:* Education
- John Davenport Shoemaker, Westerville  
B.S.  
*Field of Specialization:* Education
- Thomas E. Simpson, Vineland, N. J.  
A.A. (Cumberland County College); B.A.  
*Field of Specialization:* Industrial Design
- Linda S. Smith, Ripley  
B.S.Ed.  
*Field of Specialization:* Education
- Lynn Griffith Staton, Columbus  
B.A. (University of Texas)  
*Field of Specialization:* German
- Mary Dianne Steck, Lewisburg  
B.S.Ed.  
*Field of Specialization:* Communication
- Gregory Alan Stolz, Bellaire  
B.A. (Bethany College)  
*Field of Specialization:* Physical Education
- John R. Tatman, South Perry  
B.S.Ed. (Indiana University)  
*Field of Specialization:* Education
- Candice Claire Tournier, Schenectady, N. Y.  
B.A. (State University of New York at Albany)  
*Field of Specialization:* German
- Pamela Jean Transue, Caldwell, Id.  
B.A. (University of Washington)  
*Field of Specialization:* English
- Dennis Vignola, Woodhaven, N. Y.  
B.S. (Marist College)  
*Field of Specialization:* Public Administration
- Gennaro Francis Vito, Niagara Falls, N. Y.  
B.A. (State University of New York College at Cortland); M.A. (State University of New York College at Fredonia)  
*Field of Specialization:* Sociology
- Karl Franklin Volkmar, Columbus  
B.S. (Miami University)  
*Field of Specialization:* History of Art
- Russell Mansfield Walter, Columbia, Mo.  
B.A. (University of Missouri)  
*Field of Specialization:* Slavic Languages and Literatures
- Walter Carl Wehenkel, Jr., Oxford, Mass.  
B.S. (University of Massachusetts); M.C.R.P.  
*Field of Specialization:* Public Administration
- Bruce R. Westall, Pataskala  
B.S.Ed.  
*Field of Specialization:* Education
- Sherry Gavel Willems, Mahanoy City, Pa.  
B.A. (Saint Xavier College)  
*Field of Specialization:* Communication
- Glenn Lee Wollam, East Liverpool  
B.S.Ed.  
*Field of Specialization:* History
- James Edward Zalenski, Martins Ferry  
B.A. (College of Steubenville)  
*Field of Specialization:* Education
- Paulette M. Zechlein, Alliance  
B.A. (Otterbein College)  
*Field of Specialization:* Education

#### Master of Business Administration

Twenty-six candidates

- Vijay Auluck, Delhi, India  
B.S., M.S. (University of Delhi); M.A. (Ohio University)  
*Field of Specialization:* Business Administration
- Stephen M. Brown, Sr., Columbus  
B.S. (University of Akron)  
*Field of Specialization:* Business Administration
- Ronald Louis Campbell, Nashville, Tenn.  
B.A. (Oakwood College)  
*Field of Specialization:* Business Administration
- James R. Crossley, Columbus  
B.S.Ed.  
*Field of Specialization:* Business Administration

Robert Michael Dodson, Columbus  
B.S.Bus.Adm.  
*Field of Specialization*: Business  
Administration

Albert LeRoy Dudley,  
Nashville, Tenn.  
B.A. (Oakwood College)  
*Field of Specialization*: Business  
Administration

John P. Dunphy, Lancaster  
B.A. (Boston College)  
*Field of Specialization*: Business  
Administration

Arthur W. Eith, Mt. Horeb, Wis.  
B.S. (University of Wisconsin);  
M.S. (Wisconsin State University)  
*Field of Specialization*: Business  
Administration

Stephen J. Hauser, Columbus  
B.A.  
*Field of Specialization*: Business  
Administration

Krishnamurthy G. Hegde,  
North Kanara, India  
B.E. (Karnatak University)  
*Field of Specialization*: Business  
Administration

Kenneth Hodge, Washington, D. C.  
B.S. (Johnson C. Smith University)  
*Field of Specialization*: Business  
Administration

Michael Rex Keller, Ironton  
B.A. (College of Wooster)  
*Field of Specialization*: Business  
Administration

Neil E. Kent, Indianapolis, Ind.  
B.S. (Indiana University)  
*Field of Specialization*: Business  
Administration

William Deshler Kientz, II, Columbus  
B.A. (Washington and Lee  
University)  
*Field of Specialization*: Business  
Administration

Jui-Hua-Helen Lee, Taipei, Taiwan  
B.A. (National Taiwan University)  
*Field of Specialization*: Business  
Administration

Don J. Massa, Jr., Columbus  
B.S.M.E.  
*Field of Specialization*: Business  
Administration

Richard Alan Ray, Columbus  
B.A. (Miami University)  
*Field of Specialization*: Business  
Administration

Choosri Roongrojanaruk,  
Bangkok, Thailand  
B.S. (Thammasat University)  
*Field of Specialization*: Business  
Administration

Ajoy Rustagi, Columbus  
B.S., M.S. (Allahabad University,  
India); M.S. (Carleton University,  
Canada)  
*Field of Specialization*: Business  
Administration

Ella Ramsey Slifko, Columbus  
B.A.  
*Field of Specialization*: Business  
Administration

Louis P. Troll, St. Clairsville  
B.S. (Salem College)  
*Field of Specialization*: Business  
Administration

Jessie James Tyson, Denmark, Tenn.  
B.S. (Lane College)  
*Field of Specialization*: Business  
Administration

David Lee Virginia, Euclid  
B.S.Bus.Adm.  
*Field of Specialization*: Business  
Administration

Charles Coe Walcutt, Columbus  
B.S. (Otterbein College)  
*Field of Specialization*: Business  
Administration

James P. Whitehead, Jr., Columbus  
B.B.A. (University of Notre Dame)  
*Field of Specialization*: Business  
Administration

Donna M. Whittaker, Worthington  
B.S. (Rider College)  
*Field of Specialization*: Business  
Administration

#### **Master of City and Regional Planning**

Eleven candidates

Brian James Bowling, Hamilton  
B.A. (Miami University)  
*Field of Specialization*: City and  
Regional Planning

Harvey J. Curran, Tiffin  
B.G.S. (Ohio University)  
*Field of Specialization*: City and  
Regional Planning

David Milton Huddleston,  
Nashville, Tenn.  
B.S. (Middle Tennessee State  
University); M.A.  
*Field of Specialization*: City and  
Regional Planning

\*Constance L. Kaiser, Cleveland  
B.A. (Marymount College)  
*Field of Specialization*: City and  
Regional Planning

Henry Charles Kita, Somerville, N. J.  
B.A. (La Salle College)  
*Field of Specialization*: City and  
Regional Planning

Ted William Leonard, Clyde  
B.S. (Bowling Green State  
University)  
*Field of Specialization*: City and  
Regional Planning

Daniel R. Moreland, New Philadelphia  
B.A.  
*Field of Specialization*: City and  
Regional Planning

Cynthia Marie Pierce,  
Natchitoches, La.  
B.S. (Southern University)  
*Field of Specialization*: City and  
Regional Planning

Larry James Saylor, Fairborn  
A.B. (Miami University)  
*Field of Specialization*: City and  
Regional Planning

Terrence Robert Smith, Columbus  
B.A. (David Lipscomb College);  
M.A.  
*Field of Specialization*: City and  
Regional Planning

Joseph Anthony Snorgrass,  
Kansas City, Mo.  
B.A. (University of Kansas)  
*Field of Specialization*: City and  
Regional Planning

#### **Master of Music**

Three candidates

Jack David Jenny, Columbus  
B.Mus., B.Mus.Ed.  
*Field of Specialization*: Music

Richard C. Lopez, Columbus  
B.Mus.  
*Field of Specialization*: Music

Eric Paul Ohlsson, Harrisonburg, Va.  
B.Mus.Ed. (Madison College)  
*Field of Specialization*: Music

\* Also Master of Social Work, Graduate School



## Master of Public Administration

One candidate

Vincent Paul Winterland, Centerville  
B.S.Nat.Res.  
*Field of Specialization:* Public  
Administration

## Master of Science

One hundred and sixty-seven candidates

Masakazu Abe,  
Wakayama City, Japan  
B.Eng. (University of Tokyo)  
*Field of Specialization:* Electrical  
Engineering

Emmanuel Turkson Acquah,  
Sekondi, Ghana  
B.S. (University of Maryland)  
*Field of Specialization:* Agricultural  
Economics and Rural Sociology

Michael Charles Alpern,  
East Liverpool  
D.D.S.  
*Field of Specialization:* Dentistry

Paul David Amer, Westbury, N. Y.  
B.S. (State University of New York  
at Albany)  
*Field of Specialization:* Computer  
and Information Science

Hiroshi Aoki, Yokohama, Japan  
B.S. (Tokyo Institute of Technology)  
*Field of Specialization:* Civil  
Engineering

William Arnold Apel, Waverly  
B.A.  
*Field of Specialization:* Microbiology

Arun Laxman Athavale, Poona, India  
B.E. (Poona University); M.B.A.  
*Field of Specialization:* Electrical  
Engineering

John Arthur Bauman, Rittman  
B.S. (Hillsdale College)  
*Field of Specialization:* Horticulture

George Michael Bayer, Bradford  
B.S.Agr.E.  
*Field of Specialization:* Agricultural  
Engineering

Cheryl L. Belitsky, Cleveland  
B.S.Phys.Ther.  
*Field of Specialization:* Natural  
Resources

Mark A. Beno, Kaukauna, Wis.  
B.S. (Marquette University)  
*Field of Specialization:* Chemistry

John Mitchell Betz, Avon Lake  
B.A. (Ashland College)  
*Field of Specialization:* Mathematics

Jane Bannigan Boger, Bowie, Md.  
B.S. (University of Maryland)  
*Field of Specialization:* Geology and  
Mineralogy

Keith James Boyd, Geneva  
B.S.Agr.  
*Field of Specialization:* Animal  
Science

Michael Scott Bridgman, Kettering  
B.A. (Otterbein College)  
*Field of Specialization:* Mathematics

George Grant Brown, II, Bryan  
B.S., D.D.S.  
*Field of Specialization:* Dentistry

William Leroy Brown, Gahanna  
B.A. (Saint Olaf College);  
O.D. (Illinois College of Optometry)  
*Field of Specialization:* Physiological  
Optics

Gerald Joseph Bumb, Tiffin  
B.S.Agr.  
*Field of Specialization:* Agricultural  
Education

Karl Douglas Burch, Columbus  
B.S.Nat.Res.  
*Field of Specialization:* Natural  
Resources

Alma Huntsman Burge, Columbus  
B.S.H.E.  
*Field of Specialization:* Home  
Economics

Carlos A. Caicedo, Cali, Colombia  
B.S. (California State University at  
Fresno)  
*Field of Specialization:* Civil  
Engineering

Clark Dowling Cellio, Columbus  
B.A., D.D.S.  
*Field of Specialization:* Dentistry

Ming-Chuan Chang, Taiwan, China  
B.S. (National Taiwan University)  
*Field of Specialization:* Civil  
Engineering

Ya-Ching Alice Chen, Taipei, Taiwan  
B.S. (National Taiwan University)  
*Field of Specialization:* Chemistry

Dah-Pyng L. Chow, Taiwan  
B.A. in Ec. (National Taiwan  
University); M.A.  
*Field of Specialization:* Computer  
and Information Science

Charles D. Clark, Gallipolis  
B.S.Ed.  
*Field of Specialization:* Agricultural  
Education

Roger Wayne Clem, Enon  
B.S. (Wright State University)  
*Field of Specialization:* Electrical  
Engineering

Connie Hurst Codispoti, Kettering  
B.S.H.E.  
*Field of Specialization:* Home  
Economics

Dennis Michael Cole,  
Indianapolis, Ind.  
B.S.E.E. (Purdue University)  
*Field of Specialization:* Electrical  
Engineering

Harold Nicholas Conkle, Columbus  
B.S.Ch.E.  
*Field of Specialization:* Chemical  
Engineering

Thomas K. Corwin, Dayton  
B.S.Bus. (Miami University);  
M.B.A. (Columbia University)  
*Field of Specialization:* Natural  
Resources

John Coviello, Columbus  
B.S., D.D.S. (University of  
Maryland)  
*Field of Specialization:* Dentistry

James Patrick Crowley, Columbus  
B.S.  
*Field of Specialization:* Microbiology

Chih-Jang Joseph Dang,  
Taipei, Taiwan  
B.S. (Tamkang College of Arts and  
Sciences); M.S. (Miami University)  
*Field of Specialization:* Industrial  
and Systems Engineering

Elizabeth Kidston Davic,  
Turtle Creek, Pa.  
B.S.Ed. (Indiana University of  
Pennsylvania)  
*Field of Specialization:* Home  
Economics

Mukund Desai, Bombay, India  
B.Tech. (Indian Institute of  
Technology)  
*Field of Specialization:* Metallurgical  
Engineering

Roeco Detomo, Jr., Indianalantic, Fla.  
B.S.  
*Field of Specialization:* Physics

Daniel Eugene Dever, Cincinnati  
B.A., D.D.S.  
*Field of Specialization: Dentistry*

Andrew J. DiLiddo, Jr., Lyndhurst  
B.S. (Ohio University)  
*Field of Specialization: Botany*

Donald Edward Drake, Orlando, Fla.  
B.S.E. (Florida Technological  
University)  
*Field of Specialization: Metallurgical  
Engineering*

Mary Lois Sugar Drozda, Columbus  
B.S.Nur. (Ohio Dominican College)  
*Field of Specialization: Nursing*

James Francis Dunne, Jr.,  
Flushing, N. Y.  
B.Eng. (Manhattan College)  
*Field of Specialization: Nuclear  
Engineering*

Calvin L. Dyer, Fairborn  
B.S. (Purdue University)  
*Field of Specialization: Aeronautical  
and Astronautical Engineering*

Thomas David Earley, Urbana, Ill.  
B.S., D.V.M. (University of Illinois)  
*Field of Specialization: Veterinary  
Clinical Sciences*

Garry Wayne Earls, Rogers, Ark.  
B.S.I.E. (University of Arkansas)  
*Field of Specialization: Industrial  
and Systems Engineering*

Suzanne R. Eastman, Louisville  
B.S.Pharm. (Ohio Northern  
University)  
*Field of Specialization: Pharmacy*

Ernest Paul Ekelman, Jr., Columbus  
B.S.E.E. (Ohio University)  
*Field of Specialization: Electrical  
Engineering*

Shaaban Fouad El-Naggar,  
Alexandria, Egypt  
B.S., M.S. (Alexandria University)  
*Field of Specialization: Pharmacy*

James Roger Fahrback, Columbus  
D.D.S.  
*Field of Specialization: Dentistry*

Robert Lewis Farnsworth,  
East Liverpool  
B.S.E.E.  
*Field of Specialization: Electrical  
Engineering*

Alan Jeffrey Fenn, Chicago, Ill.  
B.S. (University of Illinois)  
*Field of Specialization: Electrical  
Engineering*

Robert A. Fisher, Shaker Heights  
B.A. (Washington University)  
*Field of Specialization: Computer  
and Information Science*

Jamie Michael Florence, Dayton  
B.Mech.E. (University of Detroit)  
*Field of Specialization: Aeronautical  
and Astronautical Engineering*

James Gillen Fox, Bryan  
B.S.Ed.  
*Field of Specialization: Horticulture*

Susan Beth Fox, Elkton, Md.  
B.S. (University of Maryland)  
*Field of Specialization: Horticulture*

Noreen Dolan Francis, Salem, Mass.  
B.S. (University of Massachusetts)  
*Field of Specialization: Chemistry*

Charles Benjamin Franklin, Jr.,  
Chattanooga, Tenn.  
B.S., M.S. (Louisiana State  
University and Agricultural and  
Mechanical College)  
*Field of Specialization: Nuclear  
Engineering*

Barry Fruchtman,  
New York, N. Y.  
B.S. (Polytechnic Institute of  
Brooklyn); B.A. (Queens College)  
*Field of Specialization: Computer  
and Information Science*

Pilarita Apong Galupo,  
Bukidnon, Philippines  
B.S.N. (Philippine Christian College)  
*Field of Specialization: Nursing*

Robert Leland Gamble, Lancaster  
B.S.M.E. (Ohio University)  
*Field of Specialization: Mechanical  
Engineering*

Thomas Neil Glover, Wooster  
B.S.Nat.Res.  
*Field of Specialization: Natural  
Resources*

Allen Gonsiska, Dayton  
B.S.M.E. (Newark College of  
Engineering)  
*Field of Specialization: Mechanical  
Engineering*

S. Richard Goodall, Dover  
B.S.  
*Field of Specialization: Animal  
Science*

Gary Lloyd Gubitz,  
White Plains, N. Y.  
B.S. (State University of New York  
at Albany)  
*Field of Specialization: Computer  
and Information Science*

Hossein Hajian, Columbus  
B.S. (Tehran University); B.S.  
(Florida Institute of Technology)  
*Field of Specialization: Electrical  
Engineering*

Lorraine A. Harper, Columbus  
B.S.Ed.  
*Field of Specialization: Physiology*

William V. Harper, Columbus  
B.S.C.I.S.  
*Field of Specialization: Statistics*

Robert R. Harr, Columbus  
B.S. (Kent State University)  
*Field of Specialization: Pathology*

Vivian Bruckel Harvey, Columbus  
A.B.Ed. (University of Michigan);  
M.A.  
*Field of Specialization: Home  
Economics*

James Michael Hennings,  
Huntington Beach, Calif.  
B.S. (University of California at  
Irvine)  
*Field of Specialization: Computer  
and Information Science*

Amare Hibstu, Ethiopia  
B.S. (Central State University)  
*Field of Specialization: Civil  
Engineering*

Beulah M. Hill, Wilmington  
B.S.H.Ec. (University of Kentucky)  
*Field of Specialization: Agricultural  
Education*

Lynn Bittinger Hill, Mansfield  
B.S.  
*Field of Specialization: Computer  
and Information Science*

Bonnie A. Hilton, Framingham, Mass.  
B.A. (Framingham State College)  
*Field of Specialization: Home  
Economics*

Franklin Hirsch, Columbus  
B.S. (Marietta College); M.S.  
*Field of Specialization: Preventive  
Medicine*

Michael Joseph Hoffmann, Rossford  
B.S.A.A.E.  
*Field of Specialization: Aeronautical  
and Astronautical Engineering*

Bruce Warren Hollis, Elyria  
B.S. Nutrition  
*Field of Specialization: Dairy Science*

David John Horridge, Foster, R. I.  
B.S. (University of Rhode Island)  
*Field of Specialization: Geodetic  
Science*

- Michael A. Huffenberger, Wilmington  
B.S.  
*Field of Specialization:* Mathematics
- Susan Carole Hunter, Hamilton  
B.S.H.E.  
*Field of Specialization:* Allied  
Medical Professions
- Steven Willis English, Lewis Center  
B.S.Agr.  
*Field of Specialization:* Natural  
Resources
- Kenneth Earl Inkrott, Glandorf  
B.S. (Saint Joseph's College, Indiana)  
*Field of Specialization:* Chemistry
- James D. Jensen, Erie, Pa.  
B.A. (Pennsylvania State  
University); D.M.D. (University of  
Pittsburgh)  
*Field of Specialization:* Dentistry
- Wicha Jiwalai, Dhonburi, Thailand  
B.E.C.E. (Chulalongkorn  
University); B.Sc., M.Sc.  
(International Institute for Aerial  
Survey and Earth Sciences,  
Netherlands)  
*Field of Specialization:* Geodetic  
Science
- Stuart Gary Karasik, New York, N. Y.  
B.A. (New York University);  
M.A. (Hunter College)  
*Field of Specialization:* Physiology
- Scott Cardoso Kennedy,  
Salvador, Brazil  
Diploma (Polytechnic School of the  
Federal University of Bahai)  
*Field of Specialization:* Mechanical  
Engineering
- Eleanor R. Kersh, Worthington  
B.S.H.Ec. (College of Saint Mary of  
the Springs)  
*Field of Specialization:* Agricultural  
Education
- Khosrow Eisa-Zadeh Khoramian,  
Tehran, Iran  
B.S.E. (Ohio University)  
*Field of Specialization:* Electrical  
Engineering
- Arlene McGinnis King, Groveport  
B.S.Nurs. (University of Missouri)  
*Field of Specialization:* Nursing
- Dennis M. Kirven, Broadview Heights  
B.S.Agr.  
*Field of Specialization:* Agricultural  
Education
- Francis Charles Klahn, Crestline  
B.S.M.E.  
*Field of Specialization:* Mechanical  
Engineering
- Richard Philip Koon, Altoona, Pa.  
B.A., B.S.E.E. (Bucknell University)  
*Field of Specialization:* Electrical  
Engineering
- Richard A. Krause, Schoharie, N. Y.  
B.S. (Cornell University)  
*Field of Specialization:* Animal  
Science
- Linda Custis Land, Sabina  
B.S.Occ.Ther.  
*Field of Specialization:* Allied  
Medical Professions
- Lewis A. Lapine, Cleveland  
B.S.  
*Field of Specialization:* Geodetic  
Science
- Gregory B. Lawther, North Ridgeville  
B.S.  
*Field of Specialization:* Preventive  
Medicine
- Patsy Ann Lemmer, Cincinnati  
B.S. (University of Cincinnati)  
*Field of Specialization:* Food Science  
and Nutrition
- Neal Frederick Levine, Columbus  
B.S.E.P.  
*Field of Specialization:* Physics
- Gualterio Luthé Garcia,  
Mexico, D. F., Mexico  
Ingeniero Topografoy Geodesta  
(Universidad Nacional Autonoma  
de Mexico)  
*Field of Specialization:* Geodetic  
Science
- Mark Alan Luttner, North Royalton  
B.S.Agr.  
*Field of Specialization:* Agricultural  
Economics and Rural Sociology
- Lachlan Grant MacKinnon, Fairborn  
B.S. (Wright State University)  
*Field of Specialization:* Computer  
and Information Science
- Lynwood Alva MacLean, III,  
Springfield  
B.S.  
*Field of Specialization:* Zoology
- Joseph A. Malecki, Columbus  
B.A.  
*Field of Specialization:* Industrial  
and Systems Engineering
- Patrick Joseph Malloy, Toledo  
B.S. (University of Toledo)  
*Field of Specialization:* Astronomy
- Daniel R. Mann, Reynoldsburg  
B.A. (Capital University)  
*Field of Specialization:* Zoology
- Ann B. Manner, Worthington  
B.A. (Russell Sage College)  
*Field of Specialization:* Chemistry
- James Robert Martin, Ripley  
B.S.Agr.  
*Field of Specialization:* Agronomy
- Richard Craig Maurer, Lancaster  
B.A.  
*Field of Specialization:* Agricultural  
Economics and Rural Sociology
- Minnie M. McGee, Columbus  
B.S. (Rust College)  
*Field of Specialization:* Mathematics
- Ted Allan McWhorter, Dayton  
B.S.E.E. (University of Texas)  
*Field of Specialization:* Electrical  
Engineering
- John Kofi Antwi Mensah,  
Kumasi, Ghana  
B.S. (University of Guelph, Canada)  
*Field of Specialization:* Agricultural  
Engineering
- Patricia Miller, Shelby  
B.S. (Newcomb College of Tulane  
University)  
*Field of Specialization:* Geology and  
Mineralogy
- Jeffrey D. Morgan, Canton  
B.S.Agr.  
*Field of Specialization:* Horticulture
- Richard Sean Mosholder, Warren  
B.A.  
*Field of Specialization:* Food Science  
and Nutrition
- Gordon Paul Muhlberger, Cincinnati  
B.S. (Ohio University)  
*Field of Specialization:* Computer  
and Information Science
- Alberto Rafael Murillo Bolanos,  
San José, Costa Rica  
Ingeniero Civil (Universidad de  
Costa Rica)  
*Field of Specialization:* Civil  
Engineering
- David Charles Murman, Lakewood  
B.S.I.S.E.  
*Field of Specialization:* Industrial  
and Systems Engineering
- Michael T. O'Connor, St. Paul, Minn.  
B.A. (University of Minnesota);  
M.S.  
*Field of Specialization:* Computer  
and Information Science

Charles Luther Ohrstedt, Columbus  
B.S.M.E.  
*Field of Specialization: Mechanical Engineering*

Johnson Olawale Oladunni,  
Lagos, Nigeria  
B.S.C.E., M.S. (University of Miami)  
*Field of Specialization: Engineering Mechanics*

Victor Omelchenko, Rochester, N. Y.  
B.S.C.E.  
*Field of Specialization: Civil Engineering*

Jon F. Ort, Bryan  
B.S.  
*Field of Specialization: Poultry Science*

Elizabeth Tucker Owen, Columbus  
B.S. (California Polytechnic State University)  
*Field of Specialization: Allied Medical Professions*

Daniel Edward Packa, North Canton  
B.S.Nat.Res.  
*Field of Specialization: Natural Resources*

Gabriel Alexander Palkuti, Columbus  
B.S.  
*Field of Specialization: Allied Medical Professions*

Frank John Palmieri, Jr.,  
East Haven, Conn.  
B.A. (Saint Anselm's College)  
*Field of Specialization: Pathology*

George Papalios, Athens, Greece  
B.Sc. (University of Athens)  
*Field of Specialization: Computer and Information Science*

Roberto Pardo S., Columbus  
B.S. (Universidad de Los Andes, Colombia)  
*Field of Specialization: Computer and Information Science*

John James Parker, Kingsville  
B.S.Agr.E.  
*Field of Specialization: Agricultural Engineering*

David McCray Peele, Aurora, N. C.  
B.S. (North Carolina State University)  
*Field of Specialization: Agronomy*

Beth E. Perry, Vickery  
B.S.Ed. (Bowling Green State University)  
*Field of Specialization: Home Economics*

Bradley Allen Perry, Clyde  
B.S.Agr.  
*Field of Specialization: Agricultural Economics and Rural Sociology*

Martha Seares Pitzer, Columbus  
B.S.Nurs.  
*Field of Specialization: Nursing*

Richard Lynn Poling, Van Wert  
B.S.Nat.Res.  
*Field of Specialization: Agricultural Economics and Rural Sociology*

Linda Knepper Rainey, Columbus  
B.S.Nurs. (Kent State University)  
*Field of Specialization: Nursing*

James W. Riggans, Jr., Atlanta, Ga.  
D.M.D. (University of Pittsburgh)  
*Field of Specialization: Dentistry*

Roberta Irene Ross, Grover Hill  
B.S.H.E.  
*Field of Specialization: Home Economics*

David J. Rugh, Columbus  
B.S. (Maryville College, Tennessee)  
*Field of Specialization: Zoology*

Jeffrey John Rusick, Columbus  
B.S. (Miami University)  
*Field of Specialization: Nuclear Engineering*

Nadine Rusyniak, Cleveland  
B.S.  
*Field of Specialization: Computer and Information Science*

Richard Martin Salzgeber, Cleveland  
B.S.; D.D.S. (Case Western Reserve University)  
*Field of Specialization: Dentistry*

Kenneth Wayne Saul, Youngstown  
B.S.  
*Field of Specialization: Microbiology*

Elspeth Henry Sawyer, Columbus  
B.S. (Cornell University)  
*Field of Specialization: Nursing*

Nancy Louise Lower Scheetz,  
Coshocton  
B.S.Ed.  
*Field of Specialization: Natural Resources*

Sam Schwarm, Jr., Columbus  
B.S.  
*Field of Specialization: Food Science and Nutrition*

Gary Michael Severson,  
Eau Claire, Wis.  
B.S. (University of Wisconsin)  
*Field of Specialization: Computer and Information Science*

Donald W. Shive, Jr.,  
Woodbridge, Va.  
B.S. (United States Military Academy)  
*Field of Specialization: Industrial and Systems Engineering*

Robert George Shondel, Clinton  
B.S.C.I.S.  
*Field of Specialization: Computer and Information Science*

Kenneth Lee Smarkel, Columbus  
B.S.C.E.  
*Field of Specialization: Civil Engineering*

Gregory Clifford Smith, Cincinnati  
B.S. (Principia College)  
*Field of Specialization: Physics*

Paul Richard Spofford,  
Rockville, Md.  
B.S.  
*Field of Specialization: Geodetic Science*

Christine Taylor Stephens,  
Rochester, N. Y.  
A.B. (Smith College)  
*Field of Specialization: Plant Pathology*

Richard Baur Sterrett, Granville  
B.A. (Ohio Wesleyan University)  
*Field of Specialization: Horticulture*

Linda Sue Strausbaugh, Athens  
B.S.H.E. (Ohio University)  
*Field of Specialization: Home Economics*

Michael Eugene Thomas, Dayton  
B.E.E. (University of Dayton)  
*Field of Specialization: Electrical Engineering*

Dana Keith Thompson, Columbus  
B.S.Ch.E.  
*Field of Specialization: Chemical Engineering*

Spyridon Tzemos,  
Thessaloniki, Greece  
Diploma (Aristotelian University);  
M.A. (Kent State University)  
*Field of Specialization: Nuclear Engineering*

Timothy R. Walters, Akron  
B.S. (Carson-Newman College)  
*Field of Specialization: Pathology*

James Harry Wasmund,  
Bladell, N. Y.  
B.S. (State University of New York College at Fredonia)  
*Field of Specialization: Computer and Information Science*

Ronald Raymond Weaver, II, Belpre  
B.S.C.E.  
*Field of Specialization: Civil  
Engineering*

Meryl Jane Weprin, Columbus  
B.S. (Syracuse University)  
*Field of Specialization: Nursing*

Charles Warne Wilson, Portsmouth  
D.D.S.  
*Field of Specialization: Dentistry*

Alan N. Wlasuk, Blackwood, N. J.  
B.S. (Drexel Institute of Technology)  
*Field of Specialization: Computer  
and Information Science*

Moon-Lan Yao, Tainan, Taiwan  
B.S. (National Taiwan University)  
*Field of Specialization: Horticulture*

Chi Stanley Yin, Taipei, Taiwan  
B.S. (National Chiao Tung  
University)  
*Field of Specialization: Electrical  
Engineering*

Elmer L. P. Young, Harrison, N. Y.  
B.A. (Amherst College)  
*Field of Specialization: Mathematics*

Richard Allen Zimmerman,  
Worthington  
B.S.Agr.  
*Field of Specialization: Natural  
Resources*

Robert Joseph Zimmerman,  
Perrysburg  
B.S. (Denison University)  
*Field of Specialization: Physiology*

### **Master of Social Work**

One candidate

\*Constance L. Kaiser, Cleveland  
B.A. (Marymount College)  
*Field of Specialization: Social Work*

\* Also Master of City and Regional Planning,  
Graduate School

## Colleges of the Arts and Sciences

Chairman, Coordinating Council of Deans: Colin B. B. Bull  
Vice Provost for the Arts and Sciences: Thomas A. Willke

The Colleges of the Arts and Sciences, a federation of five colleges, include:

### College of The Arts

Acting Dean: J. Osborn Fuller

### College of Biological Sciences

Dean: Richard H. Bohning

### College of Humanities

Dean: Arthur E. Adams

### College of Mathematics and Physical Sciences

Dean: Colin B. B. Bull

### College of Social and Behavioral Sciences

Dean: Edward C. McDonagh

### College of The Arts

Acting Dean: J. Osborn Fuller

### Bachelor of Arts

Fifteen candidates

Carol Rene Cain, Cincinnati  
David Allan Ely, Tucson, Ariz.  
Jeffrey Dial Ervin, Columbus  
Marc Andrew Fiorini, Columbus  
Judith Lynn Heck, Mansfield  
John Adam Jacobson, Baltimore, Md.  
Christina Ann Johnson, Mentor  
Thomas Ralph Melena, Northfield  
Joe Louis Reid, Cleveland  
Michael Leo Ruth, Worthington  
James Sarachman, Columbus  
Celestin George Schmidt, Liverpool  
David Earl Scott, Richmond  
Charles Wayne Shanks, Cincinnati  
James Merrill Stone,  
Cleveland Heights

### Bachelor of Fine Arts

Seventeen candidates

James Steven Amaral, Columbus  
Kimberly Louise Auer, Columbus  
David Walter Burge, Marion  
Kathy Lynn Fink, Centerville  
Dale Emerson Freeman, Jr.,  
Lancaster, Pa.  
Luther Emmanuel Gibson, Columbus  
Gregory Allen Holling, Columbus  
Mark Gaylord Hughes, Worthington  
Gayle Lynne Mayhew, Salem  
Mary Ann Melvin, Columbus  
William Craglow Morton,  
Cuyahoga Falls  
Terrence Richard Sherman, Napoleon  
John Sigillo, Jr., Columbus  
Andrew James Solveson, Columbus  
Gwendolyn Stewart, Columbus  
John T. Straub, Jr., Columbus  
Barbara Svenson Thompson,  
Westerville

### Bachelor of Art Education Offered jointly by the College of The Arts and the College of Education

Ten candidates

Nancy Jane Hermann, Youngstown  
Rhonda Brown Keels, Columbus  
Steven Michael Lundy, Edgerton  
Denise Horst Marikis, Mansfield  
Mark Allen Mong, Greenville  
Robert Douglas Ramsey, Columbus  
Sue Schlosser Schaeffer, Columbus  
Duglis Calvin Souders, Fostoria  
B.F.A.  
Grace Matchett Thompson, Columbus  
Carol Jean Wheeler, Coshocton

### Bachelor of Music Education Offered jointly by the College of The Arts and the College of Education

Ten candidates

Daniel Robert Bunn, Cuyahoga Falls  
Mary Gillmore Burr, Elyria  
\*George Joseph Ferencz, Parma  
Lois Irene Foreman, Oak Harbor  
Johanna Marie Heichel,  
Green Springs  
Teresa Lynne Hodsdens, Baltimore  
Deborah Braid Monaco, Alliance

John Benjamin Rees, Bellaire  
Frances Ellen Schmidt, Westerville  
Rebecca Lynne Shoup, Troy

### Bachelor of Music

Four candidates

Lawrence Theadore Cohen,  
New York, N. Y.  
Sue Ann Denbow, Worthington  
†George Joseph Ferencz, Parma  
Karen Lee Yager, North Olmsted

### Bachelor of Science in Industrial Design

One candidate

Joseph Dwight Hillsman, Columbus

### College of Biological Sciences

Dean: Richard H. Bohning

### Bachelor of Arts

Seven candidates

Bonnie Lou Beaver, New Matamoras  
Jeffrey Joseph Casto, Cuyahoga Falls  
Paul Christian Kirk, Olmsted Falls  
B.S.  
Richard Conn Lewis, Columbus  
Karl Martin Oehrtman, Farmersville  
Rhonda Faye Stone, Shelby  
Jeffrey Earl Weiland, Englewood

### Bachelor of Science

Ninety-two candidates

Margarita Apanius, Cleveland  
Richard Raymond Artino, Alliance  
Joseph William Babcock, Portsmouth

\* Also Bachelor of Music, College of The Arts  
† Also Bachelor of Music Education, College of Education

Kevin Stuart Baratt,  
Cleveland Heights  
Cheryl Lynn Barnett, Columbus  
Donna Troutman Bear, Portsmouth  
Jonathan David Beer, Columbus  
William Richard Bernhart, Flushing  
David Otis Bishop, Fairborn  
Robert Lee Booth, Jr., Tiffin  
Donald Frank Bowen, Columbus  
Douglas Craig Bowman, Columbus  
Arthur John Boyer,  
Niagara Falls, N. Y.  
Larry James Brandau, North Canton  
Kathleen Marie Burnick, Cortland  
John Louis Castiglia, Wadsworth  
Bret Allen Cooper, Ashland  
Shareen Lynn Cox, Kenton  
Joseph Putnam Crawford,  
Towson, Md.  
Ronald Edward Danhoffer, Parma  
Pauletta Carol Davis, Joliet, Ill.  
James Herman Davy, Sherrodsville  
Glenn Stevens Deckert,  
St. Petersburg, Fla.  
David Eldon Denlinger, Greenville  
Bonnie Lynn Doyle, DeWitt, N. Y.  
Mark Richard Finkler, Akron  
Gregory Alan Fischer, Lancaster  
Todd William Foster, Spencerville  
Mary Louise Gessner, Mansfield  
Gina Marie Gigante, Worthington  
Brian Goldman, Akron  
Steven Kent Good, Columbus  
Richard Edmund Gradisek, Lorain  
Mary Beth Halverson, Columbus  
William Robert Hartnagel, Jr.,  
Orrville  
Teresa Louise Hawthorne, Columbus  
Lynn Carol Hebebrand, Cleveland  
Geoffrey Richard Herald, Youngstown  
Thomas Alan Hershberger,  
Sugarcreek  
Gerald Linus Holmer, Bellevue  
Paula Sue Horvath, Alexandria  
Craig Lee Hyser, Fairborn  
Gregory Ray Jaques, Moline, Ill.  
Nancy Lowe Johnston, Centerville  
Scott Allison Kennedy, Oil City, Pa.  
Yoosung Victor Kim, Youngstown  
Larry Lee King, Alliance  
Scott Thomas Kingsbury, Akron  
Thomas Paul Koehler, Ashland  
Marilyn Kay Kosier, Ludlow Falls  
Thomas William Kramer, Mansfield  
Vaughn Emil Kubiak, Novelty  
J. Calvin Lee, Cincinnati  
Kathleen Ruth Lewandowski,  
Cleveland  
Lawrence Norman Lewis, Jr.,  
Montgomery

Ruth Yorkping Liu,  
Middleburg Heights  
Steven Curtis Lohr, Belpre  
Albert Joseph Lombardi, Columbus  
Robert Gordon McGee, Jr., Columbus  
Celia Gay McLean, Xenia  
Anne Patrice Miller, Portsmouth  
Thomas Scott Minnick, Cincinnati  
Michael Herman Monaco,  
Phoenix, Ariz.  
Lisa Moss, Beachwood  
James George Murtha, Youngstown  
Carla Malinda Myers, Solon  
Charles Henry Myslinsky, Jr.,  
Toronto  
Nancy Ann Nelson, Columbus  
David Alan Olitsky, Parma  
Gary Douglas Olson, Ashland  
Dennis Eugene Overholt,  
Spencerville  
Barbara Anne Pattee, Columbus  
Delia Puetz Penhollow, Columbus  
Thomas Martin Piper, Chagrin Falls  
Richard Thaddeus Radecki, Toledo  
Dale Eugene Reaver, Millersport  
Robert Douglas Sammons, Columbus  
Carl David Schlichting, Stow  
John Perry Shapiro, Columbus  
David Allen Smith, Urbana  
Gary Lee Sosenko, Leetonia  
Jeffrey Michael Stevenson, Columbus  
B.A. (Kent State University)  
Greg Allen Strayer, Lima  
Debra McManus Turner,  
West Des Moines, Ia.  
Robert James Uhlin, Poland  
Donald William Waggoner,  
Youngstown  
Quentin Duane Wheeler, Marysville  
George Edward Wiggins,  
New Philadelphia  
Marylou Brown Wilkes, Columbus  
Keith Eric Willmarth, Toledo  
Gary Eugene Woznicki, Bedford  
Harry Yee, Jr., Westlake

## College of Humanities

Dean: Arthur E. Adams

### Bachelor of Arts

Fifty-nine candidates

Jeffrey Jay Alpern,  
University Heights  
Robert Morris Bernard, Columbus  
John Wesley Biggs, Norwalk  
Bonny Rose Brown, Columbus  
Patricia Louise Cabrera, Columbus  
Charles Cary Cain, Cincinnati  
Steven Bernard Carnes, Bellefontaine  
Stephen Frederick Carr, Zanesville  
Vera Lewis Cassidy, Granville  
Everette Thomas Chubb, Columbus  
Paula Terese Cotter, Lancaster  
Katharine Alma Disch, Cleveland  
John Michael DiVelbiss, Massillon  
William Kenneth Down,  
Manteca, Calif.  
Brian Gardis Foltz, Westerville  
Virginia Gay Foster, Columbus  
Judith Pler Franklin, Columbus  
Robin Sue Freeman, Freehold, N. J.  
Anna Marie Gergel, Parma  
Joan Marie Gibb, Marion  
Lawrence Peter Gilet,  
Germantown, N. Y.  
Michael Lee Grindstaff, Cincinnati  
James Craig Hauser, Pittsburgh, Pa.  
Ralph William Heffner, Celina  
William Burgan Hoffman, Lorain  
Stephen Levente Homonnay,  
Cleveland Heights  
Steven Coney Hosier, Columbus  
Robert Garth House, Columbus  
William Willard Hunt, Columbus  
Debra Lynn Kamin, Trotwood  
Ronald Allan Klies, Cambridge  
Elizabeth Jane Knock, Cincinnati  
George Kortyna, III,  
Broadview Heights  
\*Candace Bartko Kozup, Columbus  
Guy Vincent Lamolinara,  
North Royalton  
Anna Lynette LaRue, Columbus  
Chinyere Ada Madubuike,  
Izuochi, Nigeria  
Carole Sue Mathless, Columbus  
Carl Thomas Miller, Columbus  
Stephen Joseph Miller, Waterford  
Madeline Kay Mohanco, Kettering  
Vincent Michael Nicolosi, Marion  
Alison Peggy Nishimura, Kettering

\* Also Bachelor of Science in Education,  
College of Education

James Sands Olsen, Bay Village  
 Thomas Gordon Puterbaugh,  
 Englewood  
 Myla English Randolph, Coolville  
 Judith Lynn Rosenbluth,  
 Shaker Heights  
 Michael Anthony Scarpitti, Columbus  
 Merrill Stewart Shapiro, Columbus  
 Jane Frances Sieck,  
 Schuykill Haven, Pa.  
 Stephen Charles Siegfried, Columbus  
 George William Steele, Jr., Columbus  
 Jayne Ellen Strayer, Marysville  
 Lisa Kenwyn Sullivan, Columbus  
 Eric V. Swogger, Shelby  
 Philip Gregory Tanner, Mt. Sterling  
 Robin Diane Thomas,  
 Rehoboth Beach, Del.  
 Douglas Alan Young, Columbus  
 Hildegard Zellner, Heath

Jeffrey Alan Lee, North Olmsted  
 Mark Anthony Luboski, Cleveland  
 Kevin Paul Martin, Aurora  
 David Bruce Nieberding, Dayton  
 Frederick Neil O'Brien, DeWitt, N. Y.  
 Fenita Okadjaja, Columbus  
 Charles William Pratt, III, Whitehall  
 Matti Purje, Archbold  
 Paul William Schultz,  
 East Aurora, N. Y.  
 Terry Lee Singleton, Senecaville  
 Jerry Lee Sipe, Nevada  
 Michael Jeffery Skoglund,  
 Pickerington  
 Charles Leslie Vorce, Columbus

James Terrence DeViney, Columbus  
 Susan Lynn Dickson, Columbus  
 Mary Beth Distelzweig, Columbus  
 Madeline Drexler, University Heights  
 Craig Allen Dynes, Greenville  
 Pamela Ann Romeo Elliott, Galloway  
 Kendra Kay Esser, Toledo  
 Mark Lafon Evans, Obetz  
 Stephan Michael Fedeczko, Columbus  
 Monica Lynn Ferrari, Mason  
 Gerald Lee Fischer, Columbus  
 Stephen Richard Fones, Columbus  
 John Bruce Fowler, Columbus  
 David Curtis George, Columbus  
 Luis Felipe Gomez, Jr.,  
 Torrimar, Puerto Rico  
 Timothy Gary Grau, Beaver Falls, Pa.  
 Debra Jean Grimley, Toledo  
 Stephen Lee Hahn, Akron  
 Teresa Annette Harriss,  
 Tuskegee, Ala.

James Michael Hartley, Gahanna  
 Cynthia Gail Hatch, Columbus  
 Marilyn Jo Hatmaker, Columbus  
 Linda King Hayes, Zanesville  
 Mark Edward Hayes, Marysville  
 Hollis Jane Herbst, Barberton  
 Stanley Carson Howard, Lima  
 Gerald Frank Huelsman, St. Henry  
 John Frederick Johnson, Bay Village  
 Michael Donavon Johnson, Columbus  
 Dennis Hunter Katter, Wapakoneta  
 Maryann Kemper, Wilmington  
 Martin Leon Kern, Kettering  
 Donna Jean Kibbey, Columbus  
 Patricia Jane Kiefer, Columbus  
 Gregory Jon Koldys,  
 Torrington, Conn.  
 Sanford Martin Krieg, Amherst  
 \*Jeffrey Dean Krouse, Columbus  
 William Arthur Laymon, Jr.,  
 Columbus  
 Kathleen Meg Lindeman, Cincinnati  
 Millie Milan Lindsay, Columbus  
 Patricia Robin Love, Elyria  
 Gary Lee Madden, Lebanon  
 Glenda Hothem Maloney, East Sparta  
 Peter Neil Mann, Bala-Cynwyd, Pa.  
 Robert Sherwood Martin, Lima  
 Sara Kamke Masterpaul, Cleveland  
 Ellen Marie Mathtys, Alliance  
 Charles Dennis Mawhirter, Columbus  
 Meredith Jean Mazer, Columbus  
 Timothy Charles McCarthy, Toledo  
 John Francis McDonagh, Canton  
 Gregory Allan McFadden,  
 Middleburg Heights

## College of Social and Behavioral Sciences

Dean: Edward C. McDonagh

### Bachelor of Arts

One hundred and forty-three candidates

Dorothy Wood Achtner, Dublin  
 Richard Curtis Anderson, Newark  
 David Gerald Atanasoff, Columbus  
 Darryll Richard Bauchert, Columbus  
 Franklin Michael Beni, Euclid  
 Kathryn Louise Bent, Columbus  
 Elizabeth Berke, Dayton  
 Douglas Robert Biggs, Lima  
 Cynthia Anne Birk, Wooster  
 Richard Neil Bishop, Jr., Findlay  
 Melinda Fay Bixler, Mansfield  
 Douglas Livingston Blankenship,  
 Covington  
 Belinda Jo Bogner, Mansfield  
 Barbara Ann Bowers, Uniontown  
 Terry Douglas Braun, Columbus  
 Beth Holly Brody, Cleveland Heights  
 William Arthur Clark, Columbus  
 Denise Elaine Coffield, Columbus  
 Daniel Oliver Conkle, Marion  
 Colleen Hinds Conrad, Columbus  
 Melva Jeanne Cunningham,  
 Maple Heights  
 Robert David Curl, Galena  
 Charles Robert DeMarco,  
 North Olmsted  
 Kenneth Edwin Dericks, Cincinnati

## College of Mathematics and Physical Sciences

Dean: Colin B. B. Bull

### Bachelor of Arts

Two candidates

Robert Warren LaRue, Westerville  
 Donna Marie McGrath,  
 Willingboro, N. J.

### Bachelor of Science

Twenty-seven candidates

Lynn Diana Ailes, Oxnard, Calif.  
 William Edward Allmon, Salineville  
 Jeanette Marie Bauman, Columbus  
 Kim Smith Buike, Strongsville  
 David Edward Close, North Madison  
 Michael Joseph Corrigan, Columbus  
 Garry Lee Cousins, Chillicothe  
 Daniel Edward D'Angelo, Columbus  
 Michael Ray Endicott, Columbus  
 David Spencer Fugitt, Orrville  
 Douglas Alan Hofmann, Columbus  
 Peter Mindeah Hsu, Columbus  
 Bruce Charles Keenan,  
 Wynnewood, Pa.  
 Kathleen Marita Lannan, Columbus

\* Also Bachelor of Science in Education,  
 College of Education



\*Keith Lee McKnight, Richwood  
 James Jay Merchant, Kenton  
 Eric Anthony Mertz, Defiance  
 Anderson Arthur Miller,  
 Fairview Park  
 Christopher John Minnillo, Elyria  
 Pamela Rae Mitchell, Cheshire  
 Norman James Montalto, Newark  
 Cleveland Moore, Akron  
 Michael Garth Moore, Grove City  
 Warren Newton Morford, Jr.,  
 Chesapeake  
 Miriam Lemp Morris, Columbus  
 Karl Henry Mueller, Cleveland  
 Karen Lynn Muir, Columbus  
 Connie Raye Murray, Wewoka, Okla.  
 Donna Jean Newcomb, Avon Lake  
 Kenneth Robert Nieman, Columbus  
 William Ronald Nirote, Columbus  
 Michael Alan Northrup, Zanesville  
 Mary Jane O'Brien, Columbus  
 Martin Francis O'Neil, Akron  
 Ronald Stephen Ontko, Marblehead  
 Susan Kathleen Parsons,  
 Battle Creek, Mich.  
 John Edward Prunte, Columbus  
 Susan Ann Rankin, Bridgeville, Pa.  
 Bruce Neal Reinwald, Columbus  
 Karen Titcombe Ressler, Columbus  
 Thomas Wesley Rice, Westerville  
 Beverly Lynn Ringsmith, Warren  
 Martin Alvin Romine, Westerville  
 Barbara Ellen Rook, Columbus  
 Cynthia Rosen, Lauderhill, Fla.  
 Anthony Francis Salvatore, Akron  
 William Joseph Schedel, Jr.,  
 Cincinnati  
 Scott Alan Scherff, Mansfield  
 Debra Ann Schneider, Circleville  
 Ronald Alan Schneider, Columbus  
 Thomas Lee Schramm, Shadyside  
 Margaret Lynne Schuler, Marion  
 David Edwin Sisson, Columbus  
 Vaughn Evan Sizemore, Marion  
 John Folke Skoog, Butler  
 Candace Jeannine Smith, Urbana  
 Douglas Ray Smith, Montpelier  
 Marion Eugene Smithberger,  
 Reynoldsburg  
 Sharon Ann Snyder, Columbus  
 Allan Lamar Stevenson, Columbus  
 James Robert Storms, Avon Lake  
 Patricia Barnard Sullivan,  
 East Palestine  
 Emma Rose Tackett, Columbus  
 Trudy Marie Tafelski, Toledo  
 Craig Phillip Thomas, Worthington  
 Marie Denise Uhlenbrock, Cincinnati  
 Philip Logan Ullom, Belpre

Patrick Albert Vannice,  
 University Heights  
 Kathleen Margaret Voigt,  
 Worthington  
 Melissa Marilyn Walton, Heath  
 William Terry Weiss, Canton  
 Carolyn Sue Westfall, Greenville  
 William Ernest Wheeler, Racine  
 Karen Ann Wilson, Columbus  
 Jeffrey Alan Windom, Columbus  
 Shelly Lynne Yarley, Columbus  
 Calista Jane York, Columbus  
 Thomas Edward Zilinskas, Northfield  
 Mary Olive Zoller, Springfield  
 Randall Rollin Zuercher, Wooster  
 Catherine Olohan Zwissler,  
 Worthington

#### **Bachelor of Science**

Eighteen candidates

Michael Thomas Anton, Springfield  
 Linda Lee Banfield, San Jose, Calif.  
 Thomas Alan Crable, Gahanna  
 Virginia Lynn Denison, Lima  
 Rebecca Lynn England, Fostoria  
 Robert Clifford Greenberg, Cincinnati  
 Jennifer Jane Guy, Toledo  
 Robert William Hlavin, Cleveland  
 Randall Jay Large, Columbus  
 Robert Owen Leffler, Lima  
 Phillip Owen Lewis, Columbus  
 Patrick Richard Maynard, Wooster  
 Michael Joseph McDonald,  
 Rocky River  
 Carole Lynn Merrick, Grove City  
 Nicholas Nascone, Solon  
 Michael Scott Postle, Marion  
 Gregg Michael Steele, Columbus  
 John Robert Tranovich, Bellaire

#### **Bachelor of Arts—Journalism**

Twenty-one candidates

Gregory Adelbert Bachman,  
 Cincinnati  
 Victoria Ann Bavetz, Columbus  
 Marsha Susan Bosley, Skokie, Ill.  
 Maryann Christie, Pittsburgh, Pa.  
 Richard Frank Cottrill, Delaware  
 Robert Carl Cunningham, Jr.,  
 Columbus  
 Douglas Nave Field, Marion  
 Mark Steven Froehlich, Columbus  
 Susan Lynn Gossett, Wintersville  
 Margie Anne Gunning, Columbus

Coreen Huner, Wauseon  
 Rita Henley Jensen, Columbus  
 James Robert Leeke, Columbus  
 Sandra Helena Luckett, Columbus  
 Charles Albert Ludwig, Jr.,  
 Cincinnati  
 Charles Glenn Martin, Newark  
 Lois Elaine Martin, Gahanna  
 Judy Jo Miller, Pickerington  
 Rebecca Ann Nosil, Kettering  
 Jane Ellen Parker, East Palestine  
 Cynthia Gail Woodyard, Columbus

\* Also Bachelor of Science in Education,  
 College of Education

## College of Administrative Science

Dean: Edward H. Bowman

### Bachelor of Science in Business Administration

One hundred and forty-eight candidates

Jody Allen Adams, Mt. Vernon  
Mark Randall Adams, Dayton  
Edward Eugene Andrews,  
Columbus Grove  
Richard Lane Asscherick,  
Alexandria, La.  
John Edward Aston, South Vienna  
Gary Alan Azaroff, Marion  
James Wallace Bachelder, Columbus  
Stephen Gregory Ballmer, Columbus  
Dianne Davis Balthaser, Worthington  
Michael Joseph Bartoszek, Erie, Pa.  
John Allen Bass, San Angelo, Tex.  
Barry David Baum, Brooklyn, N. Y.  
Randolph Parke Bence,  
Mountain Home, Id.  
James Allen Bishop, New Washington  
Richard Jay Blum, Dayton  
Brian Douglas Bowers, Uniontown  
Julie Ann Brossman, Cincinnati  
Eric William Brubaker,  
Cuyahoga Falls  
Theodore Carl Brunst, III,  
Parma Heights  
Sheila Marie Bussmann,  
Newtown, Conn.  
Frank Joseph Campagna,  
Buffalo, N. Y.  
Diane Joan Caputo, Euclid  
Thomas Jeffrey Carr, Columbus  
Howard Thomas Carver, Mansfield  
John Andrew Chuprinko,  
Monessen, Pa.  
Harold Brent Cisler, Canton  
Ronald McKee Clark, Reynoldsburg  
Barry Wayne Cox, Columbus  
Michael James Crunelle, Columbus  
David Martin Daugherty, Fresno  
Lawrence Joseph Delson,  
Highland Heights  
Jené Valetta Didlick, Middletown  
Richard Coeur Dillon, II, Bay Village  
Whitney Matthew Dillon, Columbus  
Richard Emery Duff, Columbus  
Douglas Jay Ehler, Columbus  
Maryanne Esping, Columbus  
Jack Bradley Fearn, Mt. Vernon  
Thomas Paul Fein, Cincinnati  
John Duncan Fiske, Bellefontaine  
Donald George Folk, Bryan  
David Keith Ford, Cambridge  
William Clifford Fralick, Springfield  
David William Francus, Fairborn  
John Mark Frase, Mansfield  
Kim Patricia Frazier, Dublin

Mary Margaret Fredericks,  
Worthington  
David George Gale, Jr.,  
Reynoldsburg  
John Patrick Gamble, Canton  
John Bernard Gerlach, Jr., Columbus  
Robert Hood Greenlee, Urbana  
Daniel Larry Gressel, Delphos  
Archie Mason Griffin, Columbus  
David Mark Grimes, Chillicothe  
Claudia Ann Hacker, Springfield  
William Clifford Hanf, Toledo  
Marc Douglas Hart, Upper Sandusky  
Jeryl Richard Hayslip, Dublin  
Leonard James Hibbard, Newark  
Joyce Drake Hinton, Columbus  
Richard Lee Hiteman, Wilmington  
William Edward Hoakes, Columbus  
Patrick Armor Horn, Millersburg  
William Thomas Horton, Chesterland  
Brenda Lee Huff, Athens  
Herbert Allen Hutson, Columbus  
David Albert Jackson, Columbus  
Chris Henry Jacobsen, Ashland  
Patrick James Jeffries,  
Pensacola, Fla.  
Diana Barvainas Kacmar,  
Binghamton, N. Y.  
Debra Lee Kaiser, Toledo  
Susan Marie Kelly, Zanesville  
Maryann Huver Kennedy,  
Maple Shade, N. J.  
William Landers Kennedy, London  
Thomas Edward Kent, Bucyrus  
Terry Duane Kerwin, Centerville  
Gregory Adolphus Kidd, Hamilton  
Jeffrey Thomas Kiliany, Leetonia  
Timothy William Kill, Delphos  
Hazel Lea Kiser, Dexter  
John Lloyd Klayman, Columbus  
Alberta Ruth Kostoff, Columbus  
John Alexander Kozup, Warren  
Craig Brian Laughlin, Gnadenuhnten  
John Clifford Leopold, Bay Village  
Richard Philip Lestock,  
Garfield Heights  
Robert Allen Lewis, Chesterland  
Richard Martin Liebes,  
Plainview, N. Y.  
Margaret Louise Lindenberg,  
Columbus  
Douglas William Little, Middleport  
Cynthia Claire Long, Upper Sandusky  
Brent Steven Lyles, Springfield  
Michael Martin, Springfield  
David Charles Maupin, Cincinnati  
William James Maxwell, Columbus  
Brian Edgar McCoy, Columbus  
David Robert McNabb, Columbus  
Richard Lee Miley, Ottawa

Michael Jon Miller, Fremont  
Daniel Lee Mizer, Fredericktown  
John Edward Moennich,  
Parma Heights  
Geoffrey Eric Mowery, Columbus  
James Brent Muhlbach, Columbus  
Patrick James O'Connell, Columbus  
Vivian Lee Opelt, Columbus  
Elbert Orman Peay, Jr., Mansfield  
Elizabeth Anne Quarando, Lorain  
Ira Quinby, V, Whitehall  
Douglas Craig Robinette, Columbus  
Donna Jean Robishaw, Westlake  
Alan Charles Rothweiler, Newark  
John William Ryan, Dublin  
John Edward Sabados, Brunswick  
Craig Alan Sarnovsky, Elyria  
Joel Philip Scheinbach, Toledo  
Franklin Gregory Schneller,  
Unadilla, N. Y.  
B.A. (Mount Union College)  
Michael Payne Scott, London  
William Gerard Seles, Walbridge  
Michael Radford Severance, Columbus  
Andrew Creighton Smith, Cincinnati  
Gregory Philip Smith, Bellefontaine  
Richard Allen Smith, Lexington, Ky.  
Dennis Richard Stasiak, Heath  
John Albert Stearns, Cleveland  
Dennis Lee Stelzer, Celina  
Pat Elaine Stiles, Columbus  
Doyle Isaac Sturms, Sunbury  
Gary Mark Sussman, Dayton  
Mark Dwight Sweptston, Columbus  
David Alan Taylor, Wapakoneta  
Gregory Lawrence Teare, Northfield  
Warren Thompson, Columbus  
Lawrence Alexander Tooman, Toledo  
William Matthew Treadway,  
Centerville  
Joseph Anthony Vano, Jr., Alexandria  
Jeffrey Richard Vogelmeier, Newark  
David Lee Waleri, Columbus  
James Walter Walworth, Erie, Pa.  
Timothy Matthew Weidinger, Ashland  
Michael W. Weprin, Dayton  
Daniel Joseph Weston, Morral  
Nicolette Miller White, Columbus  
Ann Williams, Worthington  
Michael Duane Winbush, Columbus  
David Dwight Woodford,  
Cuyahoga Falls  
Nancy Carol Woodson, North Canton  
Randall James Zipperer, Warren  
George Edward Zola, West Carrollton

## College of Agriculture and Home Economics

Dean: Roy M. Kottman

### School of Social Work

#### Bachelor of Science in Social Welfare

Forty-three candidates

Lucinda Jane Arnold, Germantown  
Pamela Ellis Basil, Columbus  
Brenda Kaye Blackburn, Columbus  
Dale Joseph Borger, St. Henry  
Katherine Ann Born, Columbus  
Lucille Bryte Bowen, Mansfield  
Nancy Jane Bradley, Columbus  
Donna Jean Cook, Bluffton  
Anna Jane Dickson, Winona, W. Va.  
Pamela Ann Dunlap, Mansfield  
Joy Elaine Essinger, Dunkirk  
Ellen Sue Fineberg, Pittsburgh, Pa.  
Pamela Lynn Flory, Cuyahoga Falls  
Pamela Diane Grossman, Columbus  
Dianne Esther Hall, Kettering  
Kathy Ann Hartman, Leipsic  
Crystal Ann Hawkins, Columbus  
Ruby Ford Hollowell, Columbus  
Debra Louise Johnson,  
Cleveland Heights  
Phyllis Ruth Kostin, Columbus  
Barbara Jean Mager, Charlotte, N. C.  
Elaine Susan Martin, Cuyahoga Falls  
Barbara J. Matteson, Richwood  
Kathleen Ann McKenna, Sandusky  
Marcia Clare Michals, Cleveland  
Dawn Lorene Morgan, Euclid  
Nancy Barber Nelson, Cincinnati  
Debra Lee Outhwaite, Marion  
Susan Stiles Sharp, Yellow Springs  
Laurabeth Storer Sheck, Columbus  
Nancy Jo Siclair, Galion  
Gary Lee Sieg, Columbus  
William David Small,  
Shaker Heights  
Deborah Jo Smith, Syracuse, N. Y.  
Kimberly David Smith, Findlay  
Susan Dawn Svetlak, Canfield  
Terry Christopher Washam, Lima  
Mary Beth Wiggenshorn, Dayton  
Nancy Lee Wilcoxon, Reynoldsburg  
Sandra Marie Wisnieski, Lorain  
Helen Rose Woodson, Columbus  
Jeffrey Allen Wrigley, North Canton  
Suzanne Kay Smith Wrigley,  
North Canton

#### Bachelor of Science in Agriculture

Ninety-eight candidates

Nicholas Howard Abbott, Columbus  
William James Agle, South Vienna  
Susan Ann Alberts, Greenville  
Albert James Anastasi,  
Wantagh, N. Y.  
Robert Alan Arthur, Lima  
Gene Kirby Baumgardner, Richfield  
Jeremy Hunter Beale, Dayton  
Richard Eugene Black, Hebron  
Forest Dean Bower, Jr., Bucyrus  
Elizabeth Anne Boyne, Columbus  
Mark Edward Brautigam,  
Wapakoneta  
Joseph Allen Brocklesby,  
Upper Sandusky  
Dennis Franklin Bunger, Greenville  
Amy Anne Burger, Kidron  
Richard Harvey Carstensen, Martin  
Richard Allen Carter, Sarahsville  
Lee Ann Eicher Colangelo, Napoleon  
James Raymond Dawson,  
Mingo Junction  
Edward Joseph Drees, Yorkshire  
Karen Kreager Eggiman, Columbus  
David Ray Farris, Forest Park  
James Alan Fennen, Columbus  
Gerald Steven Fischbach, Columbus  
Andrew Ralph Fischer,  
Cockeysville, Md.  
Richard Ronald Foley, Lyndhurst  
Paul Douglas Franks, Wooster  
Alan Kevin Fuhrhop, Columbus  
George Stephen Garbig, Ansonia  
Dwight Leonard Gessner, New London  
Ernest Max Graf, Whitehouse  
Timothy James Griffy, Fairborn  
Gene A. Groh, Franklin  
Donald Eric Hange, Spencer  
Kenneth Wayne Harris, Sabina  
John Robert Hathaway, Jr.,  
Greenville  
Michael Elmer Heyob, Harrison  
George Wayne Houk, Poland  
Marion Olive Hudnall, Thornville  
Sidney Drewel Hulse, Richmond, Va.  
Daniel Richard Hunt, Columbus  
Robert Kenneth Jackson, II, Atwater  
Christopher Bruce Johnson,  
Worthington  
Michael Ray Judy, South Charleston  
Carolyn Elaine Kagy, Leipsic  
Ralph Lauren Keil, Cincinnati  
Kristopher K. Keller, Millersport  
John Martin Kiertscher, Columbus  
John William King, Granville  
Kathryn Ann Kohl, Dayton

Lee Franklin Kohler,  
Canal Winchester  
R. Gary Kraushar, Cincinnati  
William David Krawsczyn, Middleport  
Patricia Louise Kritz, Louisville  
Linda Jo Krotje, Newton, N. J.  
Carol Herman Kuhn, Columbus  
Marcus Frederick Ladrach, Jr.,  
Wooster  
Wayne Lewis LaRue, Amanda  
Mark Steven Liao, Westerville  
William Charles Marles, Mansfield  
Bruce Alan McPheron, Kenton  
Linda Lee Meiring, Fort Recovery  
Douglas Adair Messerall, Madison  
James Trent Metcalf, Gambier  
Theodore Joseph Mlinar, Huntsburg  
Ronald Lee Moroff, Cleveland  
William James Mullen, Jr.,  
Youngstown  
Karen Jean Palmer, Aurora  
Robert Pascal, Brooklyn, N. Y.  
Paul Frederick Phillippi, Orwell  
Howard Scott Phillips, Fredericktown  
Paul Lee Post, Columbus  
Cynthia Leigh Povolny,  
North Olmsted  
Charles Lee Randles, Marion  
Mark Douglas Reed, Steubenville  
Timothy Scott Reeves, East Palestine  
Gary Alan Richards,  
New Washington  
Paul James Rieger, Columbus  
James Elmer Riethman, Minster  
Ronald Lee Ruggles, Ashley  
James David Savko, Bay Village  
Thomas Frank Schanher, Springfield  
Dale Paul Scheiderer, Marysville  
Michael James Scholl, Lancaster  
Thomas Eugene Seitter, Prospect  
Mary Jean Skiba, Mentor  
John Joseph Soroczak, Parma  
Linda Stevelt, Marysville  
Eugene Szaronos, Jr., Columbus  
Robert Steven Thompson, Columbus  
John Paul Tong, Marion  
Stephen Bertram Tornes, Columbus  
Craig John Utrecht, Waynesfield  
Craig Alan Weaver, Delphos  
Gordon Elliott Weaver, Dorset  
Karla K. Weygandt, Wooster  
Robert Edgar Wilhoite,  
Germantown, Tenn.  
Christopher Scott Wysock, Columbus  
Janet Lynn Yacapraro, Galena

**Bachelor of Science in Food Science**

Two candidates

Michael Charles McLeod, Columbus  
 Mark Elmer Murray, Germantown

**Bachelor of Science in Food Technology**

Five candidates

Mark Wesley Ely, Columbus  
 Harley James Hanna, Mt. Gilead  
 Patrick Navin Jones, Wooster  
 Dennis William Murnane, Galloway  
 Roger Arnold Smith, Loveland

**Bachelor of Science in Nutrition**

Two candidates

John Newton Gillespie, Vincent  
 Kenneth Edward Hass,  
 St. Clairsville

**School of Home Economics****Bachelor of Science in Home Economics**

Thirty-four candidates

Kathryn Lucille Anderson,  
 Mt. Vernon  
 Leslie Sue Brenner, Columbus  
 Shanna Kay Dean, Ironton  
 Connie Oliver Dulmage, Columbus  
 Cheryl Rae Engel, Columbus  
 Larry Richard Facey, Columbus  
 Carol Anne Hegenderfer, Urbana  
 Jane Ann Hergatt, Mansfield  
 Jo Ann Irwin, Columbus  
 Ellen Janelle Jones, Canfield  
 Mary L. Kilmer, Perrysburg  
 Sharon Arlene Landay,  
 Pittsburgh, Pa.  
 Marsha Albritton Landis, Brecksville  
 Linda Williamson Lensman, St. Paris  
 Patricia Holland Link, Columbus  
 Mary Josephine Lyman, Mt. Gilead  
 Patricia Julia McLaughlin, Fairfield  
 Linda Sue Nevins,  
 Huntington Station, N. Y.  
 Sandra Kay Nixon, Alliance  
 Paula McConn O'Brien, Cincinnati  
 Janine Gayle Pok, Worthington  
 Pamela Jo Poltrone, Lorain

Sherry Friedrichs Puchstein,  
 Bridgeport  
 Yvonne Sharan Rawls, Cleveland  
 Cheryl Patterson Riegel, Lima  
 Gail Elaine Robinson, Pataskala  
 Gail Ann Rodgers, Mentor  
 Lisa Emery Sauter, Indianapolis, Ind.  
 Sara Ann Scholz, Sylvania  
 Nancy Ellen Sheeter, Lynchburg  
 Jean Anne Smith, North Ridgeville  
 Jane Carter Traucht, Greenville  
 Cynthia Lou Vlasak, Columbus  
 Rita Marie Zilka, Avon

**Bachelor of Science in Nutrition**

One candidate

Karen Houk Knauff, Chillicothe

**Bachelor of Science in Restaurant Management**

Two candidates

Mary Rose Lehn, Madeira  
 Edwin Biggs Vogeler, Cincinnati

**School of Natural Resources****Bachelor of Science in Natural Resources**

Forty-four candidates

Gary Don Atkinson, Cincinnati  
 Belinda Jane Bailey, Delaware  
 Ronald Ray Beans, New Philadelphia  
 Kirsten Ruth Berkemer, Columbus  
 Joseph Robert Brickner, Bascom  
 Marion Robert Brushwood, Columbus  
 David Alan Custer, Ravenna  
 Evelyn Stella D'Elia, Columbus  
 Mark Alan Davis, Casstown  
 John Nicholas Downing, Columbus  
 Michael James Ennis, Columbus  
 Robert Vincent Fleeer, Jr., Columbus  
 Edward Lee Gobel, Jr., Columbus  
 William Patrick Graney, Lima  
 Larry Allen Grindstaff, New Concord  
 Keith Jeffrey Herron, Mentor  
 Robert Alan Hipp, North Olmsted  
 Brent Allan Horn, Columbus  
 Jeffrey Lee Jarvis, Columbus  
 Scott Lawrence Jones, Urbana  
 John Edmund Kellis, Hillsboro  
 Kevin Robert Kinsey, Big Prairie

Robert Michael Knapp, Columbus  
 Thomas Alton Large, Columbus  
 John Anthony Lenarduzzi,  
 Garfield Heights  
 Robert Lee Lundbeck, Columbus  
 Michael Lee McCullough, Urbana  
 Thomas Eric Messenheimer, Alliance  
 Kathleen Marie Meyer, Mason  
 David Lewis Risley, Barberton  
 Rory Lynn Robinson, South Euclid  
 William Anthony Roshak, Toledo  
 Kim Eileen Rullmann, Cleves  
 Linda Delighte Rumbarger, Cincinnati  
 James Glendon Scheetz, Columbus  
 Daniel John Shingledecker,  
 Worthington  
 Dale Edward Silvis, Lakewood  
 Stephen Earl Sinkey, Grove City  
 James Patrick Stafford,  
 Fairview Park  
 Jeffrey Jay Washburn, Fairborn  
 Clifford Alan Wilkin, Canfield  
 James Keith Wilson, Dayton  
 Daniel Arthur Yaussy, Bucyrus  
 Scott Michael Zandy, Lakewood

**Agricultural Technical Institute—Wooster****Associate of Applied Science Degree**

Thirteen candidates

Timothy Rolph Arn, Wooster  
 Thomas Howard Belt, Croton  
 Michael Wayne Bodey, St. Paris  
 Jeffrey Robert Burdine, Oak Harbor  
 David Charles Clouser, Nova  
 Richard Dale Feucht, Jr., Navarre  
 Cassandra Marie Maurer,  
 Apple Creek  
 Charles Lewis Meeks, Fayetteville  
 John Scott Miller, Defiance  
 Charles Alfred Newell, Ashland  
 Terry Lee Poulson, Wooster  
 Timothy James Smith, Tiffin  
 Roxanna Lee Weekley, Wooster

## College of Education

Dean: Frederick R. Cyphert

### Bachelor of Science in Education

Two hundred and sixteen candidates

Kevin Patrick Abbey, Walbridge  
Louis Steven Adelstein, Columbus  
Joanne Louise Alex, Westerville  
Cert.Grad.Dent.Hyg.

Kathryn McConaha Allton, Columbus  
William Jerome Aniton, Cleveland  
Kathy Ruth Baker, Ashley  
Sharon Reeves Baker, Mansfield  
Douglas Everett Barch, Newark  
Fran Annette Batterson, Columbus  
Richard Charles Beck, Columbus  
Thomas Lee Bernard, Maria Stein  
Marcia Rose Berres, Delphos  
Bonnie Sue Bilotto, Medway  
B.A.

Linda Kay Boggioni, Columbus  
Rhonda Jean Boraten, Lima  
Barbara Ann Bostian, Granville  
Marlana Graham Boyer, Ostrander  
Mary Kathleen Brigham, Cleveland  
Mary Louise Brix, Fairfield  
Eileen Marie Brown, Ironton  
Susan Kay Brown, Fredericktown  
Charles Allen Browning, Loudonville  
Richard Frederick Bryan, Leipsic  
Jeanine Wiechert Busey, Columbus  
Lynn Rebecca Butsch, Zanesville  
Kimbra Lark Calvert, Worthington  
Karen Ann Carro, Columbus  
Vicki Whitley Castillejos, Columbus  
Patricia Ann Elsey Caudill, Marion  
David John Cecile, West Jefferson  
Sandra Fletcher Chard, Marion  
Carolyn June Chrisman, Worthington  
Barbara Suzanne Cody, Columbus  
Deborah Winck Conkle, Marion  
Rose Marie Conley, Belpre  
Ellen LeFevre Crouch, Mt. Vernon  
George M. Cytulski, Parma  
Barbara Jane Dale, Parma  
Gregory Allen Daniel, Shelby  
Mary Christine Deardurff, Newark  
Michael Lynn Dingledine,  
Wapakoneta

Suzanne Gromer Dotson, Columbus  
Denise Diane Dowdy, Columbus  
Michael Allen Dudgeon, Alexandria  
Nancy Elizabeth Dusseau, Northwood  
Linda Sue Dyer, Columbus  
Daphene Lois Echols, Massillon  
Ann Frances Ellerbrock, Rocky River  
Patrick William Ellis, Fostoria  
B.S. (Case Western Reserve  
University)

Chris Ann Eloff, Bradenton, Fla.

Charles Gregory Evans, Worthington  
Sandra Lasko Fisanick, Columbus  
Teresa Ann Fischer, Wilmington  
Pamela Jo Fisher, Greenville  
Christine Anne Flere, Massillon  
Janet Sue Fortenbacher, Columbus  
Steven Robert Fought, Shelby  
Vincent Lewis Foulk, Urbana  
Jane Carolyn Frank, Prospect  
Jody Nan Freeman, Utica, N. Y.  
Rosanne Elizabeth Friedlander,  
Mobile, Ala.

Mark William Fuerst,  
New Hampshire  
Alicia Maria Gargallo,  
Homestead, Fla.

Cert.Grad.Dent.Hyg.

Charlaine Witherspoon George,  
Columbus

Sharon Gantt Gilbert, Marion  
Eileen Weliky Glogore, Columbus  
Anthony Everett Gossman, Columbus  
Julie Grayson, Columbus  
Brenda Joyce Green, Pataskala  
Jeanne Marie Gunter, Columbus  
Karen Elaine Gwartz, Crestline  
Marcia Lee Hackworth, Ada  
Julie Kay Haley, Kettering  
Michael Steven Hannahs, Newark  
Fred David Hattery, Alger  
Susan Warden Hayes, Mt. Vernon  
Susan Kae Hilty, Pandora  
Gloria Kinsley Hoffman, Mansfield  
Elaine Ethel Hoover, Upper Sandusky  
Margaret Ann Huiet, Xenia  
Diane Marie Hunt, Lima  
Gloria June Hunter, Marion  
Margaret Mary Ivancic, Columbus  
Kristen Ruth Jeffers, Mt. Victory  
Kay Sulser Jerew, Galion  
Janet Lee Jordan, Kettering  
Louis Kalliantas, Columbus  
Joyce Patricia Karnes, Columbus  
John Harry Katros, Kettering  
Carolyn Keener, Painesville  
Robert Dean Keller, Ada  
Bonnie Sue Peck Kelley,  
Pittsburgh, Pa.

Valerie Kiser, Columbus  
Gail Ann Klemencic, Independence  
Charles Lowell Kolb, Lakewood  
Marian Kowalski, Columbus  
\*Candace Bartko Kozup, Columbus  
Christine Ann Krites, Wapakoneta  
\*Jeffrey Dean Krouse, Columbus  
Douglas William Kuntz, Columbus  
Kristy Sue Leedy, Eaton  
Jacqueline Taylor Leisenheimer,  
Lyndon

Julie Fisher Leonard, Columbus  
Marianne Cook Letizia, Mansfield  
Linton David Lewis, New Lexington  
Deborah Ea Lloyd, Columbus  
Patricia Riddell Locke,  
Canal Winchester  
Stanley Herman Loeb, Stow  
Frederick Douglas Lundy, Columbus  
Victoria Elizabeth Lyle,  
Boca Raton, Fla.

Lovenia Marie Maddox,  
Franklin Furnace

Karen Ann Mallonee, Newark  
Carolyn Young Marshall, Columbus  
Donna Kay Marts, Middletown  
Sue Ann Mathias, Coshocton  
Randall Jay Matlow, Cleveland

B.S.Nat.Res.

Patrick Michael McCrate,  
Columbus Grove

Sarah Calland McCray, Alexandria  
Robert William McDonough, Mansfield  
\*Keith Lee McKnight, Richwood  
Richard Boyd McPherson,  
Westerville

Sally Ann Mealer, Columbus  
Harriet Fitzner Merrick, Columbus  
Mark Bernard Miller, Lima  
Debra Lynn Miner, Belpre

Cert.Grad.Dent.Hyg.

Margaret Anna Mitschu, Columbus  
Judith Rosenberg Mizrachi, Columbus  
B.A.

Richard Henry Moore, Warren  
Susan Lynn Moore, Celina  
Carol Ann Mosler, Wapakoneta  
Susan Marie Mulherin, Columbus  
Pamela Denise Nevin, Bellevue  
Sally Jane Newkirk, Kirkersville  
Janet Triggs Palm, Marion  
Warne Jay Palmer, Warren  
Patricia Hostetter Parr, Newark  
Sally Jean Parrino, Bedford Heights  
Kathy Peaspanen Pattison, Columbus  
Pamela Gail Payner, South Euclid  
Clarence Edward Perry, Columbus  
Thomas Harold Peters, Columbus  
Thomas John Philip, Cleveland  
William Russell Phillips, Ada  
Joy Osborn Phillips, Newark  
Rose Slane Phillips, Lima  
Dan Louis Poggiali, Columbus  
Linda Anne Postlewait, Collinsville  
Volker Klaus Pramschufner, Columbus  
Debra Lea Preston, McGuffey  
Germaine Bridget Price, Columbus  
Mary Ellen Prince, Columbus  
James Orland Rauck, Grove City

\* Also Bachelor of Arts. Colleges of the  
Arts and Sciences

## College of Engineering

Dean: Harold A. Bolz

Deborah Sue Redman, Grove City  
Diane Rae Reichenbach, Pandora  
Laura Reingold, Dayton  
George Douglas Ringle, Bay Village  
Linda Louise Robinson, Columbus  
Cert. Grad. Dent. Hyg.  
Debra Ann Ronk, Fredericktown  
William Alphonse Rupert, Delphos  
Michelle Marie Ryan, Avon Lake  
Catherine Rita Sabatino, Columbus  
Cheryl Ann Schlemmer,  
Cuyahoga Falls  
Kathleen Donovan Schorr, Columbus  
Kurt Schumacher, Lorain  
Elaine Louise Schwendenman,  
Columbus  
Frances Kingsbury Scott, Columbus  
Rosemary Gay Shaver, Newark  
Robin Francine Showers, Marion  
Charles Allen Shumway, Mansfield  
Sherri Lynne Sidle, Newark  
Dorothy Cochran Silavent, Galion  
Barbara Gail Skillman, Columbus  
Ruby Price Skipper, Columbus  
Victoria Kay Slabaugh, Parma Heights  
Rebecca Orr Smith, Oceola  
William Scott Smith, Parma Heights  
Nancy Karnes Snashall, Grove City  
Lionel George Spanos, Columbus  
Stanley Victor Stayton, Sidney  
Janet Marie Steigerwald, Canton  
Diane Elaine Steva, Columbus  
Janean Guy Stuckman, Circleville  
Sandra Osterholtz Stuhr, Steubenville  
Anne Katherine Stutz, Columbus  
Nancy Kay Sullivan, Lima  
Cynthia Elisa Suso, Columbus  
Sharon Kay Swan, Radner  
Douglas Richard Tegtmeier, Wooster  
Mary Holley Thomas, Columbus  
Nancy Maria Traini, Columbus  
Ann Leslie Trasin, Columbus  
Debbie Warfel Twardzik, Mansfield  
Teresa Slyh Vance, Mt. Sterling  
Denise Lorene Van Horn, Van Wert  
Rebecca Walton Vaughn,  
Upper Sandusky  
Sarida Anne Venturella, Lima  
Kathleen Ann Wajahn, Euclid  
Ceawilla Anquinetta Waller, Dayton  
Caryl Mary Warner, Columbus  
Eugene Washington, Columbus  
Alan Frank Waxler,  
University Heights  
Martin Ray Webb, East Liverpool  
Joyce Marie Wegesin, Delphos  
Martha Susan Weiner,  
Plainview, N. Y.  
Thomas Peter Welsh, Bedford  
Todd William Westervelt, Westerville

David Aloysius White, III, Kettering  
Diane Marie Wilkinson, Delaware  
Ronald Douglas Williams, Columbus  
Joyce Lynette Worthington,  
Grove City  
Rebecca Lynn Wright,  
Wright Patterson Air Force Base  
Christine Josette Wrightsman, Lima  
Michael Henry Wrigley, Columbus  
Douglas Monroe Wygal, Findlay  
Edwin Davis Zody, Hayesville

**Bachelor of Art Education and  
Bachelor of Music Education  
degrees are offered jointly by the  
College of The Arts and the  
College of Education.  
Candidates are listed on page 470**

### **Bachelor of Science in Aeronautical and Astronautical Engineering**

Six candidates

Adewale Adetokunbo Adigun,  
Lagos, Nigeria  
Thomas Edward Barber, Columbus  
James Maurice Hardenbrook, Jr.,  
Columbus  
Peter James Laszcz, Euclid  
Michael Bruce Walker, Columbus  
Michael Lee Wilhoit, Franklin

### **Bachelor of Science in Ceramic Engineering**

One candidate

James Alan Miller, East Sparta

### **Bachelor of Science in Chemical Engineering**

Four candidates

Sasha Abraham, South Euclid  
Robert Richard Holbrook, Columbus  
Gregory Eugene Prill, Van Wert  
Panagiotis Konstantin Tsiouris,  
Columbus

### **Bachelor of Science in Civil Engineering**

Seven candidates

Clarence Andrew Black, Akron  
Richard Emerson Hill, Toledo  
David Edward Kieffer, McClure  
Lynn Edward Raque, Mansfield  
Ronald Edward Shields, Columbus  
Thomas Patrick Smithberger,  
Columbus  
Steven Keith Walters,  
Washington C. H.

### **Bachelor of Science in Computer and Information Science**

Six candidates

Dale Thomas Berlin, Wadsworth  
David Gene Harkless, Baltimore  
James Taber Henion, Columbus  
Wallace Perry House, II, Gahanna

William John Kunz, Columbus  
Barbara Jean Young, Canton

### **Bachelor of Science in Electrical Engineering**

Thirteen candidates

Warren Eugene Cory, Columbus  
Roman Myroslaw Dumycz, Parma  
David Lee Grissom,  
North Little Rock, Ark.  
George Michael Haliene, Lima  
George Thomas Horton, Columbus  
Kenneth Ray Jaskowiak, Columbus  
David Robert Keene, Mansfield  
Mark John Kristof, Marion  
Robert Frank Pollack,  
Mayfield Heights  
Michael Ray Richardson, Delphos  
Gary Lee Waselkov, Ft. Myers, Fla.  
Gerald William Wineinger, Lima  
Michael Lunda Workman, Columbus

### **Industrial Engineer**

One candidate

Douglas Guy Pinney, Northbrook, Ill.  
B.S. (University of Arizona)

### **Bachelor of Science in Industrial and Systems Engineering**

Seven candidates

Homer William Burnett, Columbus  
Phillip Earl Houser, Massillon  
Bulent Kalpaklioglu,  
Ankara, Turkey  
Jeffery John Kokovitch, Columbus  
John Charles McCartney, Newark  
Robert Wayne Steiner, Dayton  
Peter Alan Stock, Fairview Park

### **Mechanical Engineer**

One candidate

Shrikant Minanath Ranade,  
Bombay, India  
Diploma in Mech. Eng.  
(Government Polytechnic  
University)

### **Bachelor of Science in Mechanical Engineering**

Eight candidates

Jay L. Cornell, Columbus  
Lawrence Robert Culler, Antwerp  
Douglas William Endres, Cincinnati  
Allen T. Gifford, Cleveland Heights  
Alexander Igor Nikishin, Canton  
Kurt William Paulus, Worthington  
James Edward Philips, Greenfield  
Michael James Utz, Attica

### **Bachelor of Science in Welding Engineering**

Eight candidates

Robert Terry Easterman, Canton  
David Wayne Hamilton, Columbus  
James Thomas Hickey, Columbus  
Robert Clement Lescinski, Cleveland  
Philip Edward Pence, Dublin  
William Mark Ruof, Pittsburgh, Pa.  
Darrell Stanley Witkowski,  
Maple Heights  
Kenneth James Zacharias,  
North Ridgeville

### **Bachelor of Science in Architecture**

Twelve candidates

William Edward Abbot, Columbus  
Thomas Keith Belcher, Dayton  
Michael Warner Bradford, Columbus  
James Richard Dixey, Jr., Columbus  
Howard Arthur Hein, Chagrin Falls  
Christopher Eugene Lamberth,  
Birmingham, Ala.  
Stephanie Dragana Lambrin,  
Evanston, Ill.  
Steven Howard Lutz, Nankin  
Alan Frank Matthews, Lexington  
Paul Franklin Pryor, Newark  
Randall Scott Smith, Elyria  
John Steven Woolley, Miami, Fla.

### **Bachelor of Science in Landscape Architecture**

One candidate

Douglas Robert Miller, Tampa, Fla.

## **College of Medicine**

Dean: Henry G. Cramblett, M.D.

### **Doctor of Medicine**

Five candidates

Elden Lew Apling, Oak Harbor  
B.A. (Kenyon College)

Gloria B. Duane, Columbus  
B.S. (Silliman University);  
M.S. (University of Hawaii)

Tedd Vincent Ellerbrock, Columbus  
B.S. (University of Arizona)

Stephen Frederick Moore, Springfield  
A.B. (Cornell University)

Vytautas Alfonsas Pakalnis, Peebles  
B.A. (Yale University)

### **School of Allied Medical Professions**

#### **Bachelor of Science in Allied Health Professions**

Nine candidates

Bruce Bartel, Columbus  
Alice Ann Brown, Cuyahoga Falls  
Joseph Robert Coil, Columbus  
Mary Anne Kirchner Dell,  
Cleveland Heights  
Camille Roselie Ferreri,  
New Britain, Pa.  
John Kaniaris, Jr., Columbus  
John Richard Motley, Brooklyn  
Scott William Soronen, Columbus  
Colleen Young Wagner,  
Indianapolis, Ind.

#### **Certificate of Nurse Anesthetist**

Six candidates

Carol Rosalind Ackerman,  
Pickerington  
R.N. (Grant Hospital School of  
Nursing)

Robert Bradley, Columbus  
B.S. Nurs.

Bruce Lewis Dayton, Milford Center  
A.A.S. Nursing (Sinclair  
Community College)

Roberta Thomas Jaycox, Marion  
R.N. (Saint Rita's School of  
Nursing)

Ladonna Gayle Mays, Chesapeake  
A.A.S. Nursing (Marshall  
University)

Sharon Marmie Wheeler, Columbus  
R.N. (Ohio Valley General Hospital  
School of Nursing)

**Certificate of Post Baccalaureate  
Circulation Technologist**

Three candidates

Ellick Yue-Yat Ho, Columbus  
B.S. (Ohio Dominican College)  
Randy John Push, Youngstown  
B.S. (Youngstown State  
University)  
Charles Virgil VanSickle, Columbus  
B.A. (Kent State University)

**Certificate of Post Baccalaureate  
Medical Illustrator**

One candidate

Janice Lee Schock, Farmington, Mich.  
B.S. (Michigan State University);  
B.F.A. (University of Michigan)

**School of Nursing**

**Bachelor of Science in Nursing**

Thirteen candidates

Teresa Marie Brandt, Xenia  
Christine Lee Dupler, Worthington  
Nancy Helen Earls, Columbus  
Linda Ann Flack, Maumee  
Linda Kay Gritton, Toronto  
Deborah Ann Hoelscher,  
New Knoxville  
Ardelia Hull, East Cleveland  
Barbara Ann Meyer, Kettering  
Mary Adrienne Pardee, Oberlin  
Patricia Ann Pontius, Ashtabula  
Francene Walker Reynolds, Columbus  
Christine Sue Rickey, Waynesville  
Patricia Steinmiller Sheaffer,  
Columbus



## Graduates With Honors

### Summa Cum Laude

Jody Allen Adams, Mt. Vernon  
Marcia Rose Berres, Delphos  
Clarence Andrew Black, Akron  
Karen Ann Carro, Columbus  
Patricia Ann Elsey Caudill, Marion  
Ronald McKee Clark, Reynoldsburg  
Deborah Winck Conkle, Marion  
Daniel Oliver Conkle, Marion  
Rose Marie Conley, Belpre  
Warren Eugene Cory, Columbus  
Barbara Jane Dale, Parma  
Joy Elaine Essinger, Dunkirk  
Lois Irene Foreman, Oak Harbor  
Steven Robert Fought, Shelby  
Sharon Gantt Gilbert, Marion  
Pamela Diane Grossman, Columbus  
Jane Ann Hergatt, Mansfield  
George Thomas Horton, Columbus  
Bonnie Sue Peck Kelley,  
Pittsburgh, Pa.  
Terry Duane Kerwin, Centerville  
John William King, Granville  
Alberta Ruth Kostoff, Columbus  
Douglas William Kuntz, Columbus  
Linton David Lewis, New Lexington  
Douglas William Little, Middleport  
Barbara J. Matteson, Richwood  
Ellen Marie Matthys, Alliance  
Timothy Charles McCarthy, Toledo  
Kathleen Ann McKenna, Sandusky  
Carol Ann Mosler, Wapakoneta  
James Brent Muhlback, Columbus  
Vivian Lee Opelt, Columbus  
Kathy Peaspanen Pattison, Columbus  
Germaine Bridgett Price, Columbus  
Douglas Craig Robinette, Columbus  
Donna Jean Robishaw, Westlake  
Catherine Rita Sabatino, Columbus  
Michael James Scholl, Lancaster  
Barbara Gail Skillman, Columbus  
Deborah Jo Smith, Syracuse, N. Y.  
Dennis Richard Stasiak, Heath  
Diane Elaine Steva, Columbus  
Sandra Osterholtz Stuhr,  
Stuebenville  
Lisa Kenwyn Sullivan, Columbus  
Michael Bruce Walker, Columbus  
Joyce Lynette Worthington,  
Grove City  
Rebecca Lynn Wright,  
Wright Patterson A.F.B.

### Summa Cum Laude and with Distinction in Animal Science

Ralph Lauren Keil, Cincinnati

### Summa Cum Laude and with Distinction in Dairy Science

Gordon Elliott Weaver, Dorset

### Summa Cum Laude and with Distinction in Economics

Daniel Larry Gressel, Delphos

### Summa Cum Laude and with Distinction in Entomology

Bruce Alan McPheron, Kenton

### Summa Cum Laude and with Distinction in Horticulture/Agricultural Education

Susan Ann Alberts, Greenville

### Summa Cum Laude and with Distinction in Resource Development

Robert Lee Lundbeck, Columbus

### Cum Laude

Kathryn Lucille Anderson,  
Mt. Vernon  
Richard Lane Asscherick,  
Alexandria, La.  
Jonathan David Beer, Columbus  
Thomas Keith Belcher, Dayton  
Dale Joseph Borger, St. Henry  
Michael Warner Bradford, Columbus  
Teresa Marie Brandt, Xenia  
Daniel Robert Bunn, Cuyahoga Falls  
John Louis Castiglia, Wadsworth  
Vicki Whitley Castillejos, Columbus  
David Eldon Denlinger, Greenville  
William Kenneth Down,  
Manteca, Calif.  
Bonnie Lynn Doyle, DeWitt, N. Y.  
George Joseph Ferencz, Parma  
Mark Richard Finkler, Akron  
Karen Elaine Gwirtz, Crestline  
Marcia Lee Hackworth, Ada  
James Craig Hauser, Pittsburgh, Pa.  
Teresa Lynn Hodsden, Baltimore  
Gloria Kinsley Hoffman, Mansfield  
Mark Gaylord Hughes, Worthington  
Margaret Ann Huiet, Xenia  
Craig Lee Hyser, Fairborn  
Margaret Mary Ivancic, Columbus  
Chris Henry Jacobsen, Ashland  
Nancy Lowe Johnston, Centerville

Valerie Kiser, Columbus  
Marian Kowalski, Columbus  
Thomas Paul Koehler, Ashland  
Robert Allen Lewis, Chesterland  
Patricia Riddell Locke,  
Canal Winchester  
Lovenia Marie Maddox,  
Franklin Furnace  
Robert William McDonough,  
Mansfield  
Gregory Allan McFadden,  
Middleburg Heights  
Keith Lee McKnight, Richwood  
Douglas Adair Messerall, Madison  
Mark Bernard Miller, Lima  
Margaret Anna Mitschu, Columbus  
Michael Garth Moore, Grove City  
Connie Raye Murray, Wewoka, Okla.  
James George Murtha, Youngstown  
Pamela Denise Nevin, Bellevue  
Sally Jane Newkirk, Kirkersville  
Patricia Ann Pontius, Ashtabula  
Volker Klaus Pramschuer, Columbus  
Gary Alan Richards, New Washington  
Barbara Ellen Rook, Columbus  
Scott Alan Scherff, Mansfield  
Robin Francine Showers, Marion  
Dorothy Cochran Silavent, Galion  
Marion Eugene Smithberger,  
Reynoldsburg  
Nancy Karnes Snashall, Grove City  
John Albert Stearns, Cleveland  
Gwendolyn Stewart, Columbus  
Pat Elaine Stiles, Columbus  
Gary Mark Sussman, Dayton  
Nancy Kay Sullivan, Lima  
Gary Lee Waselkov,  
Fort Myers, Fla.  
Christine Josette Wrightsman, Lima  
Jeffrey Allen Wrigley, North Canton  
Barbara Jean Young, Canton

### Cum Laude and with Distinction in Agricultural Education

George Wayne Houk, Poland

### Cum Laude and with Distinction in Anthropology

Karen Lynn Muir, Columbus

### Cum Laude and with Distinction in Dairy Science

Karen Jean Palmer, Aurora

**Cum Laude and with Distinction  
in Resource Development**

Michael Lee McCullough, Urbana

**Cum Laude and with Distinction  
in Wildlife Management**

Belinda Jane Bailey, Delaware

**With Distinction in Agricultural  
Economics**

Lee Franklin Kohler,  
Canal Winchester  
Mary Jean Skiba, Mentor

**With Distinction in Animal Science**

Amy Anne Burger, Kidron

**With Distinction in Dairy Science**

Linda Jo Krotje, Newton, N. J.

**With Distinction in Food Technology**

Dennis William Murnane, Galloway

**With Distinction in Geology  
and Mineralogy**

David Spencer Fugitt, Orrville

**With Distinction in Nutrition**

John Newton Gillespie, Vincent





THE OHIO STATE UNIVERSITY  
OFFICIAL PROCEEDINGS OF THE  
ONE THOUSAND ONE HUNDRED AND SIXTEENTH MEETING  
OF THE BOARD OF TRUSTEES

Marion, Ohio, April 2, 1976

The Board of Trustees met at its regular monthly meeting on Friday, April 2, 1976, at The Ohio State University Marion Regional Campus, Marion, Ohio, pursuant to adjournment.

Present: John H. Dunlap, Chairman, M. Merle Harrod, Howard D. Sirak, Patricia D. James, John D. Jacob, and Donald J. Hilliker.

\* \* \*

Minutes of the last meeting were approved.

\* \* \*

April 2, 1976 meeting, Board of Trustees

---

President Enarson expressed the appreciation of the Board for the privilege of meeting at the Marion Regional Campus of The Ohio State University. He thanked the student hosts; Director Maynard; Dr. Engle, Chairman of the Marion Faculty Assembly; and members of the Citizens Advisory Committee for making this visit a pleasant experience.

---

#### RESOLUTIONS IN MEMORIAM

RESOLVED, That the President of the University be requested to convey a copy of the appropriate Resolution in Memoriam to the family of the deceased.

Upon motion of Dr. Jacob, seconded by Mr. Hilliker, the Board of Trustees adopted the foregoing resolution by unanimous voice vote.

##### A. Arch O. Heck

The Board of Trustees of The Ohio State University expresses its sorrow upon the death March 17, 1976, of Arch O. Heck, Professor Emeritus in the College of Education.

A native of Bardolph, Illinois, Dr. Heck received his Bachelor of Science degree from Hedding College, Abingdon, Illinois, in 1913 and his Master of Science degree from the University of Illinois in 1914. Following experience as a teacher, principal, field agent, and director of research in Illinois, Indiana, and Ohio schools, Dr. Heck earned the Ph.D. degree from The Ohio State University in 1924.

An outstanding scholar in the area of personnel administration and a pioneer in the area of special education programs, Dr. Heck served the University for 35 years as a professor before his retirement in 1958. Dr. Heck was the author of highly regarded texts in his fields of interest and wrote numerous articles, monographs, and research reports. He was active in professional associations and provided noted service to local, state, and federal agencies including the 1930 White House Conference on Child Health and Protection. The range and quality of his achievements brought him listing in "Who's Who in America."

Dr. Heck enjoyed a warm and close association with his students and colleagues and maintained an active concern for and association with the University in his retirement years. His enthusiasm for life was an inspiration to all who knew him.

April 2, 1976 meeting, Board of Trustees

RESOLUTIONS IN MEMORIAM (continued)

A. Arch O. Heck (continued)

On behalf of the University community, the Board of Trustees expresses to the family of Arch O. Heck its deepest sympathy. It was directed that this resolution be inscribed in the minutes of the Board of Trustees and that a copy be tendered to his family as a sincere expression of sympathy and respect.

B. Charles B. Huelsman, Jr.

The Board of Trustees of The Ohio State University expresses its sorrow upon the death March 3, 1976, of Charles B. Huelsman, Jr., Professor in the College of Education.

Born in Chicago, Illinois, on October 15, 1916, Dr. Huelsman received his A. B. degree in history and English from Western Michigan University in 1938. He completed his Master of Arts degree at the University of Chicago in education the following year. After four years of teaching high school English and remedial reading, he joined the U. S. Navy; at the close of World War II, he returned to graduate studies at the University of Chicago, where he earned his Doctoral degree in reading.

After completion of his degree, Dr. Huelsman served as director of a remedial reading clinic in Chicago for four years. With his appointment in 1953 as Associate Professor at Miami University, Oxford, Ohio, Dr. Huelsman began a long and distinguished career in university teaching. Although Dr. Huelsman's primary area of interest always remained in reading, he was an early supporter of school psychology and contributed significantly to its development in Ohio. His leadership has helped to make Ohio's school psychology program a model for the country.

After moving to Ohio State in 1961, Dr. Huelsman accepted broadened responsibilities, teaching reading and school psychology, directing the remedial reading clinic, serving as a consultant to the Ohio State Department of Education, Columbus Public Schools, and many other school districts throughout Ohio. Throughout his teaching career, Dr. Huelsman concentrated on facilitating optimum student involvement and professional development. His most recent interests were the development of materials for the presentation of information to college students in modular form. In each of his many roles, he modeled a standard of excellence in performance, a zest for life and a sincere interest in helping others. His students and colleagues saw him as the personification of "teacher"; and so he left, to all of us, an inspiration to "teach."

On behalf of the University community, the Board of Trustees expresses to the family of Charles B. Huelsman, Jr., its deepest sympathy. It was directed that this resolution be inscribed in the minutes of the Board of Trustees and that a copy be tendered to his family as a sincere expression of sympathy and respect.

April 2, 1976 meeting, Board of Trustees

RESOLUTIONS IN MEMORIAM (continued)

C. Emily L. Stogdill

The Board of Trustees of The Ohio State University expresses its sorrow upon the death March 14, 1976, of Emily L. Stogdill, Professor Emeritus in the Department of Psychology.

Born in Wapakoneta, Ohio, on July 13, 1893, Professor Stogdill received an undergraduate degree from Ohio Wesleyan University and a masters and doctorate in Clinical Psychology from The Ohio State University.

Professor Stogdill was appointed as Instructor in Psychology at The Ohio State University in 1930 and served continuously until her retirement in 1963. She was instrumental in organizing one of the earliest courses in mental hygiene for students and one of the earliest counseling centers for students. She continued her work with emotionally disturbed students until her retirement. Professor Stogdill published a number of articles and contributed chapters to several books.

On behalf of the University community, the Board of Trustees expresses to the family of Emily L. Stogdill its deepest sympathy. It was directed that this resolution be inscribed in the minutes of the Board of Trustees and that a copy be tendered to the family as a sincere expression of sympathy and respect.

\*

\*

\*

I. GENERAL RECOMMENDATIONS

A. Naming of Building

WHEREAS pursuant to Article VIII, Section 7, of the Bylaws of the Board of Trustees, the authority for naming buildings on the campuses of The Ohio State University rests with the said Board; and

WHEREAS upon the recommendation of the President's Staff, with the concurrence of the Citizens Advisory Council, administration, faculty, and students of The Ohio State University Marion Campus, that the first building, located at 1465 Mt. Vernon Avenue, Marion, Ohio, on the site of The Ohio State University Marion Campus, be named in honor of and in tribute to the distinguished and nationally recognized educational leader, James Lewis Morrill: Therefore be it

RESOLVED, That the above described building be named the James Lewis Morrill Hall, to honor Dr. Morrill, who is a native of the Marion community and graduate of Ohio State in the Class of 1913. He served with rare ability and effectively at The Ohio State University as Secretary of the Alumni Association, 1919-1928; as Junior Dean of the College of Education, 1928-1932; and as Vice President, 1932-1941. Dr. Morrill served with great distinction as President of the University of Wyoming, 1942-1945, and the University of Minnesota, 1945-1960, and as a



April 2, 1976 meeting, Board of Trustees

I. GENERAL RECOMMENDATIONS (continued)

A. Naming of Building (continued)

Consultant with Ford Foundation, 1960-1966. Dr. Morrill's distinguished professional career includes the election to Chairmanship of the American Council on Education, the American Association of Land Grant Colleges and Universities, the National Association of State Universities, and the Association of American Universities. He holds fifteen honorary degrees, including an LL. D. from Ohio State in 1945.

Upon motion of Dr. Sirak, seconded by Mr. Harrod, the Board of Trustees adopted the foregoing resolution by unanimous roll call vote.

B. Establishment of The Harry C. and Mary Elizabeth Powelson Professorship of Medicine

WHEREAS the Board of Trustees on January 14, 1965, approved a set of guidelines for the establishment of "Named Professorships" which was subsequently modified March 3, 1972, and renamed "Endowed Professorships," and

WHEREAS by a gift to The Ohio State University Development Fund from Harry C. Powelson, B.S. '22 and M.D. '24, formerly of Zanesville, Ohio, it is desired that an "Endowed Professorship" be established; and

WHEREAS all gifts are to be invested in the University's Permanent Endowment Fund, under the rules and regulations adopted by the Board of Trustees of The Ohio State University, with the right to invest and reinvest as occasion dictates; and

WHEREAS the annual income is to be used for the endowment of a Professorship in the College of Medicine to provide tutorial services for worthy and needy medical students and appointment to the Professorship will be recommended by the Dean of the College of Medicine to the Provost and approved by the Board of Trustees with the appointment being made for a term of four years subject to renewal only in special cases approved by the Dean and the Provost; and

WHEREAS should the need for this faculty position cease to exist or so diminish as to provide unused income, then the income may be used for any purpose whatsoever as determined by the Board of Trustees, with preference being given to recommendations from the appropriate administrative official of the University who is then directly responsible for medical education: Therefore be it

RESOLVED, That The Harry C. and Mary Elizabeth Powelson Professorship of Medicine be established.

Upon motion of Mr. Harrod, seconded by Mr. Hilliker, the Board of Trustees adopted the foregoing resolution by unanimous roll call vote.

\*

\*

\*

April 2, 1976 meeting, Board of Trustees

II. PERSONNEL ACTIONS

RESOLVED, That the personnel actions as recorded in the "Salary Roll" of the University since the March 5, 1976, meeting of the Board, including the following Appointments and Leaves of Absence Without Salary be approved.

Upon motion of Dr. Jacob, seconded by Mr. Hilliker, the Board of Trustees adopted the foregoing resolution by unanimous roll call vote, and the Secretary was instructed to file these changes in the "Salary Roll," an official document of the University.

A. Appointments

Elaine Hayden Hairston, Assistant Vice President for Registration Services - Office of Registration Services, at a salary of \$29,088.00 per annum, effective July 1, 1976.

Elizabeth L. Young, Director, Telecommunications Center, at a salary of \$29,208.00 per annum, effective June 14, 1976.

Charles F. Batey, Jr., Director, Affirmative Action, at a salary of \$24,048.00 per annum, effective June 7, 1976.

Eldon Miller, Head Basketball Coach, Department of Athletics, at a salary of \$26,208.00 per annum, effective April 1, 1976.

C. Joseph DeLor from Professor in the Department of Medicine to Professor (Warner M. and Lora Kays Pomerene Professorship), Department of Medicine, at a salary of \$36,492.00 per annum, effective July 1, 1976.

B. Leaves of Absence Without Salary

Philip M. Burgess, Professor, Department of Political Science and Mershon Center for Education in National Security, effective October 1, 1976 through September 30, 1977, to continue in the position as Vice President and Executive Director of the Federation of Rocky Mountain States, Denver, Colorado.

John J. Slain, Professor, College of Law, effective October 1, 1976 through September 30, 1977, to accept a Visiting Professorship at New York University School of Law.

April 2, 1976 meeting, Board of Trustees

II. PERSONNEL ACTIONS (continued)

B. Leaves of Absence Without Salary (continued)

Joseph C. Ferrar, Associate Professor, Department of Mathematics, effective October 1, 1976 through September 30, 1977, to fill a visiting position at the University of Utrecht, the Netherlands.

Gisela M. Vitt, Associate Professor, Department of German, effective October 1, 1976 through September 30, 1977, for personal reasons.

Eiichi Bannai, Assistant Professor, Department of Mathematics, effective October 1, 1976 through September 30, 1977, to engage in research at the University of Tokyo, Tokyo, Japan.

James E. E. Brooks, Assistant Professor, Division of Comparative Literature, effective April 1, 1976 through September 30, 1976, for personal reasons.

Zita Divis, Assistant Professor, Department of Mathematics, effective October 1, 1976 through September 30, 1977, to work on research problems in partial differential equations.

Anne F. Esselburne, Instructor, Department of Aviation, effective April 1, 1976 through June 30, 1976, to pursue a program of professional improvement to complete requirements for her doctoral degree.

Wanema C. Flasher, Instructor, Cooperative Extension Service, effective April 1, 1976 through May 31, 1976, to pursue a program of professional improvement at The Ohio State University.

Mary F. Martin, Instructor, Cooperative Extension Service, effective March 22, 1976 through March 31, 1976, for personal reasons.

Elmo S. Saunders, Instructor, University Libraries, effective October 1, 1976 through March 31, 1977, to complete work for the Ph. D. degree in France.

\*

\*

\*

April 2, 1976 meeting, Board of Trustees

III. REPORT OF RESEARCH CONTRACTS, GRANTS, GIFTS AND AGREEMENTS

WHEREAS monies are solicited and received on behalf of the University from governmental, industrial, other agencies, alumni, and various individuals in support of research, instructional activities and service; and

WHEREAS such gifts and grants are received through the Office of Business and Administration of the University, The Ohio State University Research Foundation, the Engineering Experiment Station of The Ohio State University, and The Ohio State University Development Fund: Therefore be it

RESOLVED, That the research agreements between The Ohio State University and The Ohio State University Research Foundation for the contracts and grants reported herein, and the acceptance of the report from the Office of Business and Administration and The Ohio State University Development Fund, including the establishment of named funds, during the month of February 1976 be received and accepted.

Upon motion of Dr. Sirak, seconded by Mrs. James, the Board of Trustees adopted the foregoing resolution by unanimous roll call vote.

SUMMARY FOR FEBRUARY 1976

	No. of Projects	Support Level
Office of Business and Administration	16	\$ 556,996.00
The Ohio State University Research Foundation	21	700,416.30
The Engineering Experiment Station	4	<u>259,942.00</u>
		\$1,517,354.30
The Ohio State University Development Fund	1,040 Donors	538,580.96

April 2, 1976 meeting, Board of Trustees

III. REPORT OF RESEARCH CONTRACTS, GRANTS, GIFTS, AND AGREEMENTS  
(continued)

A. Office of Business and Administration

1. Federal Contracts/Grants

- a. \$210,000.00 from Department of Health, Education, and Welfare, Office of Education, Washington, D. C., for continuation of AIM/ARM: Abstracts of Instructional and Research Materials in Vocational and Technical Education, under the direction of Center for Vocational Education, for period February 29, 1976 through February 28, 1977. (Contract No. 300-75-0141, Modification No. 3)
- b. \$73,660.00 from National Aeronautics and Space Administration, Washington, D. C., for the training of four Post-M. D. students in the field of Aerospace Medicine, under the direction of Department of Preventive Medicine, for period September 1, 1976 through August 31, 1977. (NGT 36-008-007, Supplement No. 5)
- c. \$29,027.00 from Department of Health, Education, and Welfare, Public Health Service, Health Resources Administration, Bureau of Health Manpower, Grants and Contracts Management Branch, Chicago, Illinois, for Health Professions Student Loans, under the direction of College of Medicine, for period July 1, 1975 through June 30, 1976. (I. D. No. 05L390071-76; Former No. 1 7 45 0430 15 1)
- d. \$27,030.00 from National Science Foundation, Washington, D. C., for undergraduate research participation, under the direction of Department of Chemistry, for period March 11, 1976 through May 31, 1977. (Proposal/Grant No. SMI 76-02788)
- e. \$23,599.00 from Department of Health, Education, and Welfare, Public Health Service, Health Resources Administration, Bureau of Health Manpower, Grants and Contracts Management Branch, Chicago, Illinois, for Health Professions Student Loans, under the direction of College of Dentistry, for period July 1, 1975 through June 30, 1976. (I. D. No. 05L390075-76; Former No. 2 7 45 0430 15 1)
- f. \$20,987.00 from Department of Health, Education, and Welfare, Public Health Service, Health Resources Administration, Bureau of Health Manpower, Grants and Contracts Management Branch, Chicago, Illinois, for Health Professions Student Loans, under the direction of College of Veterinary Medicine, for period July 1, 1975 through June 30, 1976. (I. D. No. 05L390083-76; Former No. 7 7 45 0430 15 1)

April 2, 1976 meeting, Board of Trustees

III. REPORT OF RESEARCH CONTRACTS, GRANTS, GIFTS, AND AGREEMENTS  
(continued)

A. Office of Business and Administration (continued)

1. Federal Contracts/Grants (continued)

- g. \$10,052.00 from Department of Health, Education, and Welfare, Public Health Service, Health Resources Administration, Bureau of Health Manpower, Grants and Contracts Management Branch, Chicago, Illinois, for Health Professions Student Loans, under the direction of College of Optometry, for period July 1, 1975 through June 30, 1976. (I. D. No. 05L390077-76; Former No. 4 7 45 0430 15 1)

TOTAL - Federal Contracts/Grants \$394,355.00

2. State of Ohio Contracts/Grants

- a. \$52,000.00 from Ohio Board of Regents, Columbus, Ohio, for Columbus Problem Solving Project, under the direction of School of Public Administration, for period March 4, 1976 through June 30, 1976. (Project No. 76-944-011)
- b. \$10,750.00 from State of Ohio, Department of Education, Columbus, Ohio, for compiling resource materials for the purpose of assisting teacher preparation institutions to effect compliance with "Standards for Colleges or Universities Preparing Teachers," under the direction of College of Education, for period February 1, 1976 through March 31, 1976.

TOTAL - State of Ohio Contracts/Grants \$62,750.00

3. Industrial and Other Contracts/Grants

- a. \$31,450.00 from The School District of Philadelphia, Philadelphia, Pennsylvania, for providing a continuing organization structure to facilitate further development of career education in member school districts, through programs of development, evaluation, training, dissemination and demonstration, under the direction of Center for Vocational Education, for period October 15, 1975 through June 30, 1976.
- b. \$20,612.00 from Columbus Metropolitan Area Community Action Organization, Columbus, Ohio, for conducting courses for thirty (30) enrollees during two (2) quarters and coordinating instructional program of same, under the direction of College of Education, for period January 5, 1976 through June 19, 1976. (City of Columbus/CMACAO Contract No. 305163)

April 2, 1976 meeting, Board of Trustees

III. REPORT OF RESEARCH CONTRACTS, GRANTS, GIFTS, AND AGREEMENTS  
(continued)

A. Office of Business and Administration (continued)

3. Industrial and Other Contracts/Grants (continued)

- c. \$16,148.00 from Columbus Metropolitan Area Community Action Organization, Columbus, Ohio, for conducting courses for thirty (30) enrollees during two (2) quarters and coordinating instructional program of same, under the direction of School of Social Work, for period January 5, 1976 through June 19, 1976. (City of Columbus/CMACAO Contract No. 305163)
- d. \$15,000.00 from Licking County Welfare Department, Newark, Ohio, for provision for 1,428 instructional visits, under the direction of The Ohio State University - Newark Campus, Newark, Ohio, for period January 1, 1976 through June 30, 1976.
- e. \$7,650.00 from Upper Arlington Public Schools, Upper Arlington, Columbus, Ohio, for the purpose of conducting a "Comprehensive Facility Study," under the direction of Academic Faculty of Educational Administration, for period February, 1976 through April, 1976.
- f. \$6,304.00 from Columbus Metropolitan Area Community Action Organization, Columbus, Ohio, for conducting courses for sixteen (16) enrollees during one (1) quarter, and coordinating instructional program of same, under the direction of College of Administrative Science, for period January 5, 1976 through March 19, 1976. (City of Columbus/CMACAO Contract No. 305163)
- g. \$2,727.00 from National Advisory Council on Vocational Education, Washington, D. C., for collection of information by Center for Vocational Education at the Joint Meeting of the State and National Advisory Councils on Vocational Education, under the direction of Center for Vocational Education, for period May 5-7, 1976.

TOTAL - Industrial and Other Contracts/Grants \$99,891.00

April 2, 1976 meeting, Board of Trustees

III. REPORT OF RESEARCH CONTRACTS, GRANTS, GIFTS, AND AGREEMENTS  
(continued)

B. The Ohio State University Research Foundation

1. Federal Research Contracts/Grants

- a. \$120,000.00 from Department of the Air Force, Air Force Systems Command, Aeronautical Systems Division, Wright Patterson Air Force Base, Ohio, for Radar Cross Section Studies and Calculations, under the direction of ElectroScience Laboratory, Department of Electrical Engineering, for period January 1, 1976 through September 30, 1978. (Project 4346-A1 - New)
- b. \$96,598.00 from Department of the Air Force, Air Force Office of Scientific Research, Bolling Air Force Base, D. C., for U. S. Air Force - American Society of Engineering Education Summer Faculty Research Program, under the direction of Department of Aeronautical and Astronautical Engineering, for period January 1, 1976 through October 31, 1976. (Project 4350-A1 - New)
- c. \$95,000.00 from Environmental Protection Agency, Environmental Sciences Research Laboratory, Research Triangle Park, North Carolina, for A Kinetic Study of Simulated SO<sub>2</sub>, NO<sub>x</sub>, RH-Polluted Atmospheres, under the direction of Department of Chemistry, for period January 1, 1976 through December 31, 1976. (Project 4362-A1 - New)
- d. \$79,172.00 from Department of Health, Education, and Welfare, Public Health Service, National Institutes of Health, National Heart and Lung Institute, Bethesda, Maryland, for Hypocholesterolemic Agents - Stereochemical Studies, under the direction of College of Pharmacy, for period February 1, 1976 through January 31, 1977. (Project 2769-G - Ext. #7)
- e. \$44,124.00 from National Endowment for the Humanities, Washington, D. C., for Children in American History, under the direction of Department of History, for period January 1, 1976 through October 31, 1976. (Project 4365-A1 - New)
- f. \$36,985.00 from Department of Health, Education, and Welfare, Public Health Service, National Institutes of Health, National Institute of General Medical Sciences, Bethesda, Maryland, for The Role of Alpha-Lactalbumin in Lactose, under the direction of Department of Chemistry, for period March 1, 1976 through February 28, 1977. (Project 4128-A2 - Ext. #1)
- g. \$35,500.00 from National Science Foundation, Washington, D. C., for Collaborative Research on Population Distribution, and Concentration, under the direction of Department of Geography, for period June 1, 1976 through May 31, 1978. (Project 4353-A1 - New)



April 2, 1976 meeting, Board of Trustees

III. REPORT OF RESEARCH CONTRACTS, GRANTS, GIFTS, AND AGREEMENTS  
(continued)

B. The Ohio State University Research Foundation (continued)

1. Federal Research Contracts/Grants (continued)

- h. \$19,724.00 from Department of the Air Force, Wright-Patterson Air Force Base, Ohio, for Development of Self-Instructional Material for Contract Management, under the direction of Division of Continuing Education, College of Administrative Science. (Project 4290-A1 - Mod. #2)
- i. \$15,300.00 from National Science Foundation, Washington, D. C., for Density-Functional Theory for Non-Uniform Many-Body Systems, under the direction of Department of Physics, for period March 1, 1976 through February 28, 1977. (Project 4369-A1 - New)
- j. \$15,000.00 from National Aeronautics and Space Administration, Langley Research Center, Hampton, Virginia, for An Investigation of the Aerodynamic Characteristics of a New General Aviation Airfoil in Flight, under the direction of Department of Aeronautical and Astronautical Engineering, for period May 1, 1975 through June 30, 1976. (Project 4173-A1 - Sup. #3)
- k. \$12,200.00 from National Science Foundation, Washington, D. C., for Micrometeorological Studies at the South Pole, under the direction of Institute of Polar Studies, for period January 15, 1976 through December 31, 1976. (Project 4364-A1 - New)
- l. \$11,280.00 from National Endowment for the Humanities, Washington, D. C., for A Complete Vocabulary of the Works of Wace and All Extant Old French Versions of the Brut in Verse, under the direction of Department of Romance Languages and Literatures, for period September 1, 1975 through August 31, 1976. (Project 4300-A1 - New)
- m. \$7,100.00 from National Science Foundation, Washington, D. C., for Geology and Paleomagnetism of Scott Glacier Area, Antarctica, under the direction of Institute of Polar Studies, for period August 1, 1974 through December 31, 1976. (Project 4001-A1 - NSF Letter Dated February 5, 1976)
- n. \$5,772.00 from Department of Health, Education, and Welfare, Public Health Service, National Institutes of Health, National Cancer Institute, Bethesda, Maryland, for Central Oncology Group, under the direction of Department of Surgery, for period February 1, 1975 through May 31, 1976. (Project 3167-A5 - Sup. #1)

April 2, 1976 meeting, Board of Trustees

III. REPORT OF RESEARCH CONTRACTS, GRANTS, GIFTS, AND AGREEMENTS  
(continued)

B. The Ohio State University Research Foundation (continued)

1. Federal Research Contracts/Grants (continued)

- o. \$5,000.00 from National Science Foundation, Washington, D. C., for Isotopic and Geochemical Studies in the Transantarctic Mountains, under the direction of Institute of Polar Studies, for period November 15, 1973 through December 31, 1976. (Project 3846-A1 - NSF Letter Dated February 5, 1976)

TOTAL - Federal Research Contracts/Grants \$598,755.00

2. State of Ohio Research Contract/Grant

- a. \$13,361.30 from Ohio Department of Rehabilitation and Correction, Columbus, Ohio, for Violent Offender Project, under the direction of Behavioral Sciences Laboratory, for period July 1, 1975 through April 1, 1976. (Project 3997-A2 - Ext. #1)

3. Industrial, Private, and Other Non-Federal Research Contracts/Grants

- a. \$31,400.00 from World Health Organization, Geneva 27, Switzerland, for Evaluation of the Safety of Immunizing Female Baboons with Synthetic hCG Peptides as a Fertility Control Measure - Task Force on Immunological Methods of Fertility Regulation, under the direction of Department of Medical Microbiology, for period December 26, 1974 through December 26, 1976. (Project 4106-A1 - Amendment effective December 27, 1975)
- b. \$24,000.00 from The Petroleum Research Fund, Washington, D. C., for Alicyclic Molecules with Potential Homoaromatic and Three-Dimensional Aromatic Ground States, under the direction of Department of Chemistry, for period September 1, 1976 through August 31, 1978. (Project 4359-A1 - New)
- c. \$22,000.00 from The Petroleum Research Fund, Washington, D. C., for Tetrahedral Adducts of Amides: Dynamics of Ion-Pair Exchange, under the direction of Department of Chemistry, for period July 1, 1976 through August 31, 1978. (Project 4366-A1 - New)
- d. \$7,500.00 from The Columbus Foundation, Columbus, Ohio, for Development of a Teacher's Handbook (For Use by Educators Working with Appalachian Students), under the direction of Academic Faculty of Special Services, for period February 1, 1976 through July 31, 1976. (Project 4361-A1 - New)

April 2, 1976 meeting, Board of Trustees

III. REPORT OF RESEARCH CONTRACTS, GRANTS, GIFTS, AND AGREEMENTS  
(continued)

B. The Ohio State University Research Foundation (continued)

3. Industrial, Private, and Other Non-Federal  
Research Contracts/Grants (continued)

- e. \$3,400.00 from American Orchid Society Fund for Education and Research, Inc., Cambridge, Massachusetts, for Induction of Haploid Plants in Orchids by Anther Culture, under the direction of Department of Botany, for period April 1, 1976 through March 31, 1978. (Project 4373-A1 - New)

TOTAL - Industrial, Private, and Other Non-Federal  
Research Contracts/Grants \$88,300.00

C. The Engineering Experiment Station

1. Federal Research Contract

- a. \$70,380.00 from the Products Research Committee, Washington, D. C., for Determination of Fire Hazards of Systems Containing Cellular Plastics, under the direction of Department of Chemical Engineering, for period September 1, 1975 through August 31, 1976. (EES 532)

2. Industrial and Other Research Contracts

- a. \$180,002.00 from the Picker Corporation, Northford, Connecticut, for Development of a Germanium Gamma Ray Camera System for Nuclear Medicine, under the direction of Department of Mechanical Engineering, for period October 1, 1975 through September 30, 1976. (EES 534)
- b. \$5,000.00 from the Columbus and Southern Ohio Electric Company, Columbus, Ohio, for Participating Industry Research and Development Program in Solar Energy Conversion and Utilization, under the direction of Department of Mechanical Engineering, for period January 8, 1976 through January 7, 1977. (EES 510)
- c. \$4,560.00 from the United Sheet Metal Division of United McGill Corporation, Westerville, Ohio, for A Study of Sound Attenuators, under the direction of Department of Mechanical Engineering, for period November 1, 1975 through June 30, 1976. (EES 482, Ext. #2)

TOTAL - Industrial and Other Research Contracts \$189,562.00

April 2, 1976 meeting, Board of Trustees

III. REPORT OF RESEARCH CONTRACTS, GRANTS, GIFTS, AND AGREEMENTS  
(continued)

D. The Ohio State University Development Fund

1. Gifts of \$5,000 or More

- a. \$233,885.60 from Estate of Harry C. Powelson, Zanesville, Ohio, for the establishment of The Harry C. and Mary Elizabeth Powelson Professorship of Medicine.
- b. \$41,517.44 from Consolidated Business Services, Inc., Columbus, Ohio, for the Department of Medicine General Fund.
- c. \$35,000.00 from The F. & R. Lazarus & Company, Columbus, Ohio--\$25,000.00 for the Robert Lazarus Student Loan Fund and \$10,000.00 for the University Activities Center.
- d. \$15,127.39 from Dr. David L. Ford, deceased, late of Columbus, Ohio, for the Oral Surgery Support Fund.
- e. \$12,803.00 from The Refractories Institute, Pittsburgh, Pennsylvania, for their research fund in the Department of Ceramic Engineering.
- f. \$10,000.00 from PPG Industries Foundation, Pittsburgh, Pennsylvania--\$5,000.00 for the Department of Mechanical Engineering Support Fund and \$5,000.00 for the Affirmative Action Program in Engineering.
- g. \$7,500.00 from Pitman-Moore, Washington Crossing, New Jersey, for infectious disease research in the Department of Pathobiology in the College of Veterinary Medicine.
- h. \$6,460.00 from Bell Laboratories, Columbus, Ohio, for the Affirmative Action Program in Engineering.
- i. \$6,400.00 from American Foundation for Pharmaceutical Education, Fair Lawn, New Jersey, for their named fellowship fund.
- j. \$6,200.00 from Weyerhaeuser Company, Tacoma, Washington, for the Marketing Faculty Support Fund.
- k. \$6,000.00 from Wolfe Associates, Inc., Columbus, Ohio, for the University Activities Center.
- l. \$5,000.00 from Noba, Inc., (given in the name of B. Maxwell Drake), Tiffin, Ohio, for their research fund in Dairy Science.
- m. \$5,000.00 from The Joseph & Helen Skilken Foundation (given in the name of Steven A. Skilken), Columbus, Ohio, for the University Activities Center.

April 2, 1976 meeting, Board of Trustees

III. REPORT OF RESEARCH CONTRACTS, GRANTS, GIFTS, AND AGREEMENTS  
(continued)

D. The Ohio State University Development Fund (continued)

2. Establishment of Named Funds

- a. \$5,000.00 from friends and colleagues of James M. Hawkins, Jr., for the establishment of The James M. Hawkins, Jr., D.D.S., Memorial Scholarship Fund.

The James M. Hawkins, Jr., D.D.S., Memorial  
Scholarship Fund

The James M. Hawkins, Jr., D.D.S., Memorial Scholarship Fund was established April 2, 1976, by the Board of Trustees of The Ohio State University with gifts to The Ohio State University Development Fund from friends and colleagues of James M. Hawkins, Jr., D.D.S. (B.A. '62, D.D.S. '65), late of Springfield, Ohio.

All gifts are to be invested in the University's Permanent Endowment Fund, under the rules and regulations adopted by the Board of Trustees of The Ohio State University, with the right to invest and reinvest as occasion dictates.

The annual income is to be used to provide scholarship assistance to second and third year students in the College of Dentistry, with preference being given to qualified students from Clark County, Champaign County and Logan County. The selection of the recipient is to be made upon the recommendation of The Ohio State University Office of Student Financial Aids.

Should the need for these scholarships cease to exist or so diminish as to provide unused income, then the income may be used for any purpose whatsoever as determined by the Board of Trustees, with preference being given to recommendations from the appropriate administrative official of the University who is then directly responsible for scholarships.

- b. \$1,000.00 from Donald E. Demkee for the establishment of The Donald E. Demkee Dental Scholarship Fund.

The Donald E. Demkee Dental Scholarship Fund

The Donald E. Demkee Dental Scholarship Fund was established April 2, 1976, by the Board of Trustees of The Ohio State University with a gift to The Ohio State University Development Fund from Donald E. Demkee, D.D.S. '65, Wooster, Ohio.

April 2, 1976 meeting, Board of Trustees

III. REPORT OF RESEARCH CONTRACTS, GRANTS, GIFTS, AND AGREEMENTS  
(continued)

D. The Ohio State University Development Fund (continued)

2. Establishment of Named Funds (continued)

b. The Donald E. Demkee Dental Scholarship Fund (continued)

All gifts are to be invested in the University's Permanent Endowment Fund under the rules and regulations adopted by the Board of Trustees of The Ohio State University, with the right to invest and reinvest as occasion dictates.

The annual income is to be added to the principal until the fund reaches \$5,000. At that time, the income is to be used to provide one or more scholarships for senior students enrolled in the College of Dentistry. First preference will be given to students who have demonstrated outstanding ability in oral surgery. The selection of the recipient(s) is to be made by the University Scholarship Committee upon the recommendation of the Chairman of the Department of Oral Surgery and the Dean of the College of Dentistry.

Should the need for this fund cease to exist or so diminish as to provide unused income, then the income may be used for any purpose whatsoever as determined by the Board of Trustees, with preference being given to recommendations from the appropriate administrative official of the University who is then directly responsible for the study of dental education.

\*

\*

\*

IV. BUSINESS AND ADMINISTRATION

A. Architects/Engineers

WHEREAS the 111th General Assembly of the State of Ohio authorized and funded a number of capital improvement projects either by specific project or through the general category of "utilities and renovation," and

WHEREAS the University has also funded a number of additional projects in support of the mission of this University either by separate bonding, contractual agreements or gifts: Therefore be it

RESOLVED, That the President and/or Vice President for Business and Administration be authorized to recommend that the Department of Administrative Services, Division of Public Works, enter into contracts with those firms as set forth in the following sections for the purpose of providing architectural and/or engineering services appropriate to the projects.

Upon motion of Dr. Jacob, seconded by Mrs. James, the above resolution was adopted by unanimous roll call vote.

April 2, 1976 meeting, Board of Trustees

IV. BUSINESS AND ADMINISTRATION (continued)

A. Architects/Engineers

1. Chemistry Laboratories Remodeling (McPherson  
Chemical Laboratory) and Stillman Hall Alterations

The work in McPherson Chemistry Laboratory will provide renovated analytical chemistry, physical chemistry, and instrumental analysis laboratories for instructional purposes. This includes lab bench work, utility services to lab benches, lighting, some improved ventilation and patching and painting.

The work in Stillman Hall provides for the completion of a project first initiated in 1968. This includes work on the first, third and fourth floors which involves partitioning relocations, electric and lighting, improvements in ventilation, and patching and painting.

The fee for services on each of these projects will be negotiated between the architectural firm and the Department of Administrative Services, Division of Public Works. The total combined project cost is \$150,000.00 (\$75,000.00 Stillman Hall and \$75,000.00 Chemistry Laboratories).

Funds for this service have been provided from H. B. 687, Utilities and Renovation.

It is recommended that the firm of John P. Gibboney and Associates of Columbus, Ohio, be employed to provide complete architectural and engineering services for these projects, including preliminary plans, basic drawings, working drawings, specifications, estimates of cost, necessary bidding documents, and supervision of construction.

2. Education Laboratory Improvements (Welding Engineering  
Laboratories Building) and Poultry Administration  
Building Improvements

The work in Welding Engineering Laboratories for the College of Education will provide for the renovation of five rooms on the second floor including the installation of laboratory equipment, replacement of electrical service, new lighting, new acoustical ceilings, and improved floor covering.

The work in the Poultry Administration Building will provide for the renovation and up-to-date equipment of the existing laboratories, laboratory-related rooms and classrooms including replacement of antiquated lab benches, provision of services to lab benches, lighting, acoustical treatment, ventilation, and electrical system renovations.

April 2, 1976 meeting, Board of Trustees

IV. BUSINESS AND ADMINISTRATION (continued)

A. Architects/Engineers (continued)

2. Education Laboratory Improvements (Welding Engineering Laboratories Building) and Poultry Administration Building Improvements (continued)

The fee for services on each of these projects will be negotiated between the architectural firm and the Department of Administrative Services, Division of Public Works. The total combined project cost is \$260,000.00 (\$100,000.00 Education Laboratories and \$160,000.00 Poultry Administration).

Funds for this service have been provided from H. B. 687, Utilities and Renovation.

It is recommended that the firm of Phillip Markwood, Architects, Inc., Columbus, Ohio, be employed to provide complete architectural and engineering services for this project, including preliminary plans, basic drawings, working drawings, specifications, estimates of cost, necessary bidding documents, and supervision of construction.

3. Temporary Veterinary Clinic Remodeling

The work involved for this project will provide for remodeling of an existing building for use in accordance with its originally intended purpose. It was designed to accommodate the Transportation Motor Pool and warehouse operations. However, during the design and construction phase it became necessary to convert it for use as a temporary location for the Veterinary Hospital until the new hospital was completed. It served this purpose from 1965 through 1972. Since the building was originally designed with the transportation function in mind, a number of features to support a vehicle maintenance operation are already installed.

Upon completion of the remodeling, this facility will house the Division of Transportation, Office Equipment Repair Department and a warehouse area for various auxiliary enterprises.

The fee for this service will be negotiated between the architectural firm and the Department of Administrative Services, Division of Public Works. The project cost is \$250,000.00.

Funds for this service have been provided from H. B. 687, Utilities and Renovation.



April 2, 1976 meeting, Board of Trustees

IV. BUSINESS AND ADMINISTRATION (continued)

A. Architects/Engineers (continued)

3. Temporary Veterinary Clinic Remodeling (continued)

It is recommended that the firm of John S. Coke and Associates, Columbus, Ohio, be employed to provide complete architectural and engineering services for this project, including preliminary plans, basic drawings, working drawings, specifications, estimates of cost, necessary bidding documents, and supervision of construction.

B. Plans and Specifications

WHEREAS at the request of the President and/or Vice President for Business and Administration, the plans and specifications, bills of material, and estimates of cost for the projects set forth on the attached sheets are presented for approval: Therefore be it

RESOLVED, That the President and/or Secretary of the Board of Trustees be authorized to sign the plans and specifications for these projects, for and on behalf of the Board of Trustees, and that the President and/or Vice President for Business and Administration be authorized to proceed with the request for bids, and if satisfactory bids are received to recommend the award of the necessary contracts in accordance with the established University procedure; and

RESOLVED FURTHER, That all actions in accordance with authorization of the Board of Trustees be reported at a later meeting.

Upon motion of Dr. Sirak, seconded by Mr. Harrod, the above resolution was adopted by unanimous roll call vote.

1. Mansfield Campus, Physical Education Building, Phase V

This project will provide a new physical education building located northeast of Ovalwood Hall, Mansfield Campus, with facilities to be used jointly by North Central Ohio Technical College and The Ohio State University Mansfield Campus.

Funds are budgeted in H. B. 687, Item 315-098 (Mansfield Branch, Physical Education Facility, Ohio State University, Phase V, in cooperation with North Central Ohio Technical College).

2. Energy Conservation--Phase II (Project A)

Project "A" will modify heating and air conditioning systems which are consistent with recommendations made for individual buildings studied under The Ohio State University Energy Conservation

April 2, 1976 meeting, Board of Trustees

IV. BUSINESS AND ADMINISTRATION (continued)

B. Plans and Specifications (continued)

2. Energy Conservation--Phase II (Project A) (continued)

Program and approved by the Energy Conservation Coordinating Committee. The buildings involved for this phase of the total project are Hitchcock Hall, Cunz Hall, Wilce Health Center, Journalism Building, Robinson Laboratory, Pharmacy Building, Denney Hall, and Civil and Aeronautical Engineering Building. Alternate bids will be requested for steam condensate cooling and pumping revisions to Pharmacy Building, and control center connections for start-stop and monitoring to Bevis Hall, and Goss Laboratory.

This phase of the work, identified as "Project A" will complete another phase of the University's Energy Conservation Program. Subsequent phases of the work will follow to complete the recommendations and studies made by the Energy Conservation Coordinating Committee. They will be identified as Projects B through E, under the title of "Energy Conservation--Phase II."

Funds are budgeted in H. B. 687, Utilities and Renovation.

C. Report of Award of Contracts

WHEREAS the resolutions adopted by the Board of Trustees at previous meetings authorized the President and/or Secretary of the Board of Trustees to sign the plans and specifications and for the President and/or Vice President for Business and Administration to request bids, and recommend awards, in accordance with the established University procedure: Therefore be it

RESOLVED, That pursuant to the previous actions of the Board, various construction and renovation projects were bid, contracts recommended for award, and expenditures of project funds are being reported as outlined for each project. These actions are requested to be approved as reported.

Upon motion of Mr. Harrod, seconded by Mr. Hilliker, the Board of Trustees adopted the foregoing resolution by unanimous roll call vote.

April 2, 1976 meeting, Board of Trustees

IV. BUSINESS AND ADMINISTRATION (continued)

C. Report of Award of Contracts (continued)

1. Eleventh Avenue Parking Ramp

	<u>Low Bid</u>	<u>Est. of Cost</u>
<u>Design/Construct Contract</u> (15 bids received 3-11-76)		
Fry, Inc. (Springfield, Ohio)		
Base bid	\$1,298,336.00	\$1,600,000.00
Alt. G-1 - Addition of Level 5 South	+ 128,485.00	+ 160,000.00
<u>Total Design/Construct Contract</u>	<u>\$1,426,821.00</u>	<u>\$1,760,000.00</u>

Funds for this project have been provided from Budget Account 801316 (Eleventh Avenue Parking Ramp).

2. Garage and Laundry Building--Remodeling

	<u>Low Bid</u>	<u>Est. of Cost</u>
<u>General Contract</u> (12 bids received 3-24-76)		
Ed Ross Construction Co. (Westerville, Ohio)		
Base bid (Includes deduct for substitution of Republic Shelving - \$350.00)		
	\$ 26,090.00	\$ 33,800.00
Alt. G-1 - Additional shelving	+ 875.00	+ 750.00
Alt. G-2 - Bulletin board	+ 125.00	+ 340.00
Alt. G-3 - Projection screen	+ 1,050.00	+ 1,080.00
Alt. G-4 - Compact kitchen	+ 1,000.00	+ 1,400.00
Total Contract	<u>\$ 29,140.00</u>	<u>\$ 37,370.00</u>

<u>Mechanical Contract</u> (4 bids received 3-24-76)		
Julian Speer Company (Columbus, Ohio)		
Base bid	\$ 14,700.00	\$ 14,700.00
Alt. M-1 - Piping for compact kitchen	+ 580.00	+ 500.00
Total Contract	<u>\$ 15,280.00</u>	<u>\$ 15,200.00</u>

April 2, 1976 meeting, Board of Trustees

IV. BUSINESS AND ADMINISTRATION (continued)

C. Report of Award of Contracts (continued)

2. Garage and Laundry Building--Remodeling (continued)

	<u>Low Bid</u>	<u>Est. of Cost</u>
<u>Electrical Contract</u>		
(11 bids received 3-24-76)		
Lester E. Hatfield Co.		
(Westerville, Ohio)		
Base bid	\$ 2,104.00	\$ 3,500.00
Alt. E-1 - Power for compact kitchen	+ 304.91	+ 250.00
Alt. E-2 - Emergency battery pact unit	+ 792.71	+ 975.00
	<u>\$ 3,201.62</u>	<u>\$ 4,725.00</u>
<u>Total Contract</u>		
	<u>\$ 47,621.62</u>	<u>\$ 57,295.00</u>
<u>Total All Contracts</u>		

Funds for this project have been provided from H. B. 687 (Utilities and Renovation).

D. General

1. Easement - Lane Avenue and Kenny Road  
Commissioners of Franklin County

WHEREAS the University has received a request from the Commissioners of Franklin County for an easement five feet in width and extending for a distance of nine feet north of the north right-of-way line of Lane Avenue at a point opposite a Bell Telephone Pole approximately 250 feet west of Kenny Road. Said easement is for the installation of a guy line attached at the north end to an anchor approximately two feet in diameter and completely buried in the ground: Therefore be it

RESOLVED, That the President and/or Vice President for Business and Administration be authorized to request the Department of Administrative Services, Director of Public Works, pursuant to his statutory duties, to act for and on behalf of the University in developing the necessary legal instruments to provide for the easement.

Upon motion of Dr. Sirak, seconded by Mr. Harrod, the Board of Trustees adopted the foregoing resolution by unanimous roll call vote.

April 2, 1976 meeting, Board of Trustees

IV. BUSINESS AND ADMINISTRATION (continued)

D. General (continued)

2. Purchase of Buildings and Property - South Campus  
303, 315, 319, and 329 West Ninth Avenue

WHEREAS the need for parking space in the medical area has become increasingly severe due to expansion of facilities; and

WHEREAS the construction of the Eleventh Avenue Parking Ramp will not provide adequate facilities for the increased patient load in the hospital and clinic areas; and

WHEREAS the University has been provided an opportunity to purchase the following four properties:

Lot #23, William N. King's Neil Avenue Subdivision, more commonly known as 303 West Ninth Avenue, Columbus, Franklin County, Ohio;

Lot #25, William N. King's Neil Avenue Subdivision, more commonly known as 315 West Ninth Avenue, Columbus, Franklin County, Ohio;

Lot #26, William N. King's Neil Avenue Subdivision, more commonly known as 319 West Ninth Avenue, Columbus, Franklin County, Ohio;

Lot #28, William N. King's Neil Avenue Subdivision, more commonly known as 329 West Ninth Avenue, Columbus, Franklin County, Ohio.

Therefore be it

RESOLVED, That the President and/or Vice President for Business and Administration be authorized to purchase the said properties in the name of the Board of Trustees of The Ohio State University from the Yassenoff Foundation, Inc., for the sum of \$100,000.00 from General University funds.

Upon motion of Dr. Jacob, seconded by Mr. Hilliker, the Board of Trustees adopted the foregoing resolution by unanimous roll call vote.

\*

\*

\*

April 2, 1976 meeting, Board of Trustees

V. REPORT

A. Report on University Investment Portfolio

The report on the University's Investment Portfolio dated April 1, 1976, as submitted to the Fiscal Affairs Committee of the Board of Trustees, was received and ordered to be filed with the official records of the Board.

\* \* \*

VI. GUEST SPEAKER

Ted W. Switzer requested permission to speak on the subject of collective bargaining.

Ted W. Switzer, President of the Council of Undergraduate Students in Education, expressed his concerns as a student about a collective bargaining election for the faculty. Further, he requested that, if the faculty does organize, that students be included in the bargaining process, and that the Board revoke parts of Faculty Rule 21 dealing with tenure and peer review.

\* \* \*

VII. REGIONAL CAMPUS REPORT

President Enarson called on Vice President Mount for a presentation on the University's Regional Campus program.

Vice President Mount called on Dr. Morrill to make a few remarks concerning the naming of the James Lewis Morrill Hall.

Dr. Morrill responded as follows:

Mr. President, Mr. Chairman, Board Members, Director Maynard and members of your staff, and friends of this interesting Regional Campus. I can't quite say to you how honored I feel by the distinction that you have conferred upon me today. Marion was my birthplace--I went through all the public schools here before going to The Ohio State University; and as Dr. Enarson said, I have spent a good many years serving this University.

We all like to be remembered, we remember others with affection and respect, but it sometimes takes a gesture to achieve that. Honorary degrees are one of the ways. But it's very rare indeed that living faculty members have buildings named after them. I don't know why that is, but

April 2, 1976 meeting, Board of Trustees

VII. REGIONAL CAMPUS REPORT (continued)

Dr. Morrill (continued)

that is the case in this country. There doesn't seem to be much hesitation about naming buildings after living presidents of universities who have retired. I think the philosophy there is that they are too old to do anything to disgrace their University. However, I'm in the unique position of not having been a president of this University, and this gesture--this generous gesture--on the part of the University means everything to me. It also is in the sense an honor to the City of Marion.

Let me then express to the University and officials, Mr. President, and all of your colleagues, members of this Board, my very proud sense of honor in having this building, in my hometown, named for me.

John T. Mount, Vice President for Regional Campuses, presented projected enrollment increases for University and Technical College students on Ohio State's Regional Campuses for this coming year.

C. Eugene Maynard, Director of the Marion Campus, reviewed events on that campus, and Professor Jessie A. Engle, Chairman of the Marion Faculty Assembly, spoke on behalf of the faculty of this campus.

Speaking on behalf of the Marion community was Edwin L. Mitchell, member of the Alumni Advisory Board and also member of the Marion Citizens Advisory Council.

Mr. Dunlap then made the following statement:

Thank you Mr. Mitchell, for those thoughtful remarks. I am confident that each member of this Board joins with me in an expression of high commendation and deep appreciation to you and to all members of the Citizens Advisory Councils for the timely advice and counsel which you have provided to University administration and this Board of Trustees.

We do recognize that as members of the Citizens Advisory Councils, you have given significant contribution in support of the University's efforts to extend high quality educational programs to the regional campus communities.

We are especially grateful for your thoughtful efforts in bringing about a better understanding of the mission of the regional campuses and their relationship to the University. We look forward to your continued support, advice, and counsel, as well as these annual opportunities to meet with you on a regional campus.

April 2, 1976 meeting, Board of Trustees

VII. REGIONAL CAMPUS REPORT (continued)

Mr. Dunlap's statement (continued)

Finally, we thank you, Mr. Maynard, and your associates for the special efforts you have taken in arranging for our meeting today.

\*

\*

\*

Thereupon the Board adjourned to meet Friday, May 7, 1976, at The Ohio State University Fawcett Center for Tomorrow, Columbus, Ohio, at 1:30 p.m.

Attest:

---

Edward Q. Moulton  
Secretary

---

John H. Dunlap  
Chairman



THE OHIO STATE UNIVERSITY  
OFFICIAL PROCEEDINGS OF THE  
ONE THOUSAND ONE HUNDRED AND SEVENTEENTH MEETING  
OF THE BOARD OF TRUSTEES

Columbus, Ohio, May 7, 1976

The Board of Trustees met at its regular monthly meeting on Friday, May 7, 1976, at The Ohio State University Fawcett Center for Tomorrow, Columbus, Ohio, pursuant to adjournment.

Present: John H. Dunlap, Chairman, M. Merle Harrod, John L. Gushman, Howard D. Sirak, Patricia D. James, Chester Devenow, Warren J. Smith, John D. Jacob, and Donald J. Hilliker.

\* \* \*

Minutes of the last meeting were approved.

\* \* \*

May 7, 1976 meeting, Board of Trustees

RESOLUTIONS IN MEMORIAM

Resolution No. RM-1976-1.1

RESOLVED, That the Board adopt the following Resolutions in Memoriam and that the President be requested to convey a copy to the families of the deceased.

Merriss Cornell, Professor, School of Social Work; 41 years of service

Eldon Hoffman, Instructor, Cooperative Extension Service; 11 years of service

Guy-Harold Smith, Professor Emeritus, Department of Geography; 37 years of service

Upon motion of Dr. Jacob, seconded by Mr. Harrod, the Board of Trustees adopted the foregoing resolution by unanimous voice vote.

Merriss Cornell

The Board of Trustees of The Ohio State University expresses its sorrow upon the death April 17, 1976, of Merriss Cornell, Professor in the School of Social Work.

Professor Cornell, a native and lifelong resident of Westerville, Ohio, was born November 3, 1911. He received his undergraduate education at Otterbein College and his social work education at The Ohio State University. His knowledge of research methodology and behavioral science was furthered by additional study at Columbia University. He was a member of the Social Work Faculty of The Ohio State University since his appointment as an Instructor in 1935.

Professor Cornell's writings include a comprehensive historical sketch of the School of Social Work. In this volume, with characteristic modesty, he avoids mention of his many significant contributions to the growth of the School from its early modest proportions to its present status as one of the outstanding centers of social work education in the nation.

In addition to distinguishing himself as a teacher, a researcher, a consultant, and an advisor of students, Professor Cornell was recognized as an expert in census tract research techniques. His technical knowledge was utilized extensively to develop the research component of the social work curriculum.

Professor Cornell was most generous in providing assistance, support, and counsel to junior colleagues which contributed to their professional development. He was active and held office in many professional organizations, social agencies and community groups through which he made a unique and outstanding contribution to human welfare.

On behalf of the University community, the Board of Trustees expresses to the family of Merriss Cornell its deepest sympathy. It was directed that this resolution be inscribed in the minutes of the Board of Trustees and that a copy be tendered to his family as a sincere expression of sympathy and respect.

May 7, 1976 meeting, Board of Trustees

RESOLUTIONS IN MEMORIAM (continued)

Eldon L. Hoffman

The Board of Trustees of The Ohio State University expresses its sorrow upon the death on March 27, 1976, of Eldon L. Hoffman, County Extension Agent, Agriculture, in Portage County, Ohio.

Mr. Hoffman was born July 23, 1934, at Grelton, Ohio. He graduated from Malinta-Grelton High School in 1952. He enrolled at The Ohio State University in 1952 where he received his bachelor of science degree in agricultural education in 1956. Mr. Hoffman also pursued graduate education in agricultural education at The Ohio State University.

Mr. Hoffman joined the faculty of The Ohio State University as County Extension Agent, Agriculture, in Portage County on July 1, 1965, the position which he held at the time of his death. Mr. Hoffman had served as vocational agriculture teacher at Sunbury and Pandora, Ohio, for a total of nine years prior to joining the Extension faculty.

Mr. Hoffman provided aggressive leadership for various Extension activities in Portage County including agricultural and community programs. He was a highly respected and dedicated agricultural educator for the Extension Service and was both well known and respected among his peers on the Extension faculty and by both rural and urban people of Portage County.

On behalf of the University community, the Board of Trustees expresses to the family of Mr. Hoffman its deepest sympathy. It was directed that this resolution be inscribed in the minutes of the Board of Trustees and that a copy be tendered to the family as a sincere expression of the Board's realization of the loss which the family, the Portage County community, and the University have sustained.

Guy-Harold Smith

The Board of Trustees of The Ohio State University expresses its great sorrow upon the death on April 7, 1976, of Guy-Harold Smith, Professor Emeritus in the Department of Geography. Professor Smith retired on June 30, 1964, at the age of 69 after a 37-year teaching career at the University.

Professor Smith earned his doctoral degree at the University of Wisconsin and continued postgraduate studies at the University of Pennsylvania. He was a member of Phi Beta Kappa, Sigma Xi, Beta Gamma Sigma, and numerous scientific and professional societies. He taught at the University of Illinois and Columbia University.

Professor Smith was recognized internationally as an authority in the field of cartography with special reference to population and physiographic maps. He served as a consultant and cartographer in the Military Intelligence Service of the U. S. Army General Staff. He was the author of more than sixty papers and drew more than seventy maps of major importance.

May 7, 1976 meeting, Board of Trustees

RESOLUTIONS IN MEMORIAM (continued)

Guy-Harold Smith (continued)

Professor Smith was also an authority on the conservation of natural resources and edited several books in that field. He served as chairman of the Department of Geography from 1934 to 1963.

On behalf of the University, the Board of Trustees expresses to the family its deepest sympathy in its loss. It was directed that this resolution be inscribed upon the minutes of the Board of Trustees and that a copy be tendered to the family as an expression of the Board's heartfelt sympathy.

\*

\*

\*

GENERAL RECOMMENDATIONS

Degrees and Certificates  
Spring Quarter Commencement

Resolution No. G-1976-1.1

WHEREAS pursuant to Article VI, Section 5, of the Bylaws of the Board of Trustees of The Ohio State University, the Board has authority for the issuance of degrees and certificates; and

WHEREAS the faculties of the colleges and schools shall transmit to the University Senate names of persons who have completed degree and certificate requirements, in accordance with Rule 49.01 of the Rules of the University Faculty, for approval by the Board of Trustees;

NOW THEREFORE

BE IT RESOLVED, That the degrees and certificates be conferred on June 11, 1976, to those persons who have completed the requirements for their respective degrees and certificates and are recommended by the University Senate and that the names of those awarded degrees and certificates be included in the minutes of this meeting. (See page 547.)

Upon motion of Mr. Harrod, seconded by Mr. Gushman, the Board of Trustees adopted the foregoing resolution by unanimous voice vote.

Honorary Degrees

Resolution No. G-1976-1.2

WHEREAS the Committee on Honorary Degrees and the University Senate, pursuant to Rule 29.2727, have approved for recommendation to the Board of Trustees the awarding of the honorary degrees as listed below:

Arthur S. Iberall	Doctor of Science
Jacob W. Schaefer	Doctor of Science
Walter Seagar Sullivan	Doctor of Science

May 7, 1976 meeting, Board of Trustees

GENERAL RECOMMENDATIONS (continued)

Honorary Degrees (continued)

WHEREAS the President after consultation with the Steering Committee of the University Senate, pursuant to Rule 11.05, has approved for recommendation to the Board of Trustees the awarding of the honorary degrees as listed below:

Daniel Patrick Moynihan	Doctor of Laws
Franz T. Stone	Doctor of Humane Letters

NOW THEREFORE

BE IT RESOLVED, That the above honorary degrees be awarded in accordance with these recommendations at a time convenient to the University and the recipient.

Dr. Sirak moved and Mr. Devenow seconded the motion to adopt President Enarson's recommendation that the foregoing resolution be adopted.

Mrs. James requested that the Board divide the question.

Upon motion of Mrs. James, seconded by Mr. Devenow, the Board of Trustees voted to divide the candidates proposed under Rule 29.2727 from the nominees under Rule 11.05, which was approved with eight affirmative votes and one negative vote cast by Dr. Jacob.

Mr. Dunlap called for a motion on the first three candidates under Rule 29.2727.

Upon motion of Mr. Devenow, seconded by Dr. Sirak, the Board of Trustees approved the candidates under Rule 29.2727 by unanimous roll call vote.

Mr. Dunlap then called for a motion on the candidates under Rule 11.05.

Dr. Jacob moved and Mr. Hilliker seconded the motion to award honorary degrees to the two persons specified under Rule 11.05.

Mrs. James requested a discussion of the question.

Mrs. James indicated that she had requested a division of the question and was supported by her colleagues because she had an objection to awarding the honorary degree to one of the suggested honorees. She indicated that she wanted to make a statement in that regard.

It is my intention to cast my vote in opposition to the resolution to award the honorary Doctor of Laws degree to Mr. Daniel Patrick Moynihan, our June Commencement speaker. I do not oppose Mr. Moynihan's presence on this campus. Awarding Mr. Moynihan an honorary degree is another matter.

May 7, 1976 meeting, Board of Trustees

GENERAL RECOMMENDATIONS (continued)

Honorary Degrees (continued)

Mrs. James' statement:

Mr. Moynihan has spent many years in public life and has been recognized for his public service. I do not question his motivations. The fact remains that throughout his tenure of public service, Black Americans have been victimized by the rhetoric and myth-making which has emanated from the articulate Mr. Moynihan's reports and writings. A case in point is The Negro Family: A Case for National Action. This highly controversial document was published by the U. S. Department of Labor in 1965 and authored by Mr. Moynihan. The widely publicized assertions made in this report concerning the pathology of the Black family have become an integral part of social science folklore and cannot be revoked. Numerous serious scholars have since dismissed Moynihan's work and have challenged his use of descriptive statistical data to declare causality. Mr. Moynihan is guilty of analyzing data by color rather than by income level and from that error support for the slavery-specific hypothesis. Since a much larger proportion of Negroes than whites are on the lower income levels what could look like statistically significant differences between Negroes and whites are actually only reflections of different socio-economic levels.

Indeed, when racial comparisons are controlled for income, Negro-white differences in family structure evaporate and differences are more striking by income than by color--a fact documented by the U. S. Government itself in response to the Moynihan Report.

And yet, the myths live on. Fictions woven from the fabric of Mr. Moynihan's professed good intentions have become fact in the public mind and have damaged Negro causes.

Mr. Moynihan has greatly influenced social legislation over the years. He admits to being one of the architects of the Economic Opportunity Act of 1964 and the Elementary and Secondary Act of 1965. He now charges that liberals, educators and the helping professions are responsible for the failure of these brilliantly conceived programs intended for Blacks and poor people. It is strange indeed that an architect whose buildings constantly crumble, never questions the efficiency of his blueprints, but rather, castigates the contractors and craftsmen who build according to his specifications.

May 7, 1976 meeting, Board of Trustees

GENERAL RECOMMENDATIONS (continued)

Honorary Degrees (continued)

Mrs. James' statement:

There is much more evidence of Mr. Moynihan's malicious and destructive public pronouncements and public actions. I close with the following observations:

Noting Mr. Moynihan's biographical data, I find that some of his writings--the most controversial ones are omitted. I find that curious, indeed. I have also noted that many honorary degrees have been awarded to Mr. Moynihan by some of this nation's outstanding institutions of higher learning. As I understand the concept of honorary degrees, they are awarded to those who have contributed to the quality of our lives in some way. Mr. Moynihan has done much harm to the quality of life of Black Americans. Without concrete evidence to the contrary, it is my belief that not one Black American participated in making those decisions to award the honorary degree to Mr. Moynihan. I, a Black American, am asked to do so. I cannot agree to honor Mr. Moynihan. I do not honor Mr. Moynihan. I, therefore, oppose awarding an honorary Doctor of Laws from The Ohio State University to Mr. Daniel Patrick Moynihan.

President Enarson said that Mrs. James had been kind enough to share her statement with him in advance of the meeting as well as her reservations. He said that they had talked for a half hour or so and neither was able to shake the convictions of the other. The President then made the following statement:

While it may never be prudent or wise to publicly disagree with one of your bosses, Mrs. James has spoken out of personal conviction on a matter of principle, and I am impelled to do likewise.

The issue here is not whether any of us agree or disagree with the views of Mr. Moynihan, and I do not speak now in defense of those views--though it is my opinion that they have been sometimes unfairly represented by Mr. Moynihan's critics. At various times during the ten years I have served as a President, I have recommended that the University award honorary degrees to persons with whose views I did not agree. And I know also that several members of this Board have voted in favor of bestowing this honor upon persons with whom they have not agreed.

May 7, 1976 meeting, Board of Trustees

GENERAL RECOMMENDATIONS (continued)

Honorary Degrees (continued)

President Enarson's statement:

The real issue to be decided here is whether a person's contributions--be they intellectual or through public service--warrant this honor. In the case of Mr. Moynihan, I believe that his extraordinary contributions in both areas of endeavor qualify him beyond question to receive an honorary degree from The Ohio State University. This judgment is also shared by the nineteen or more other colleges and universities that have already bestowed this honor upon him--distinguished universities such as Harvard, Indiana, and Notre Dame.

Mr. Moynihan's record is truly remarkable. He has served four American presidents in a number of high ranking positions ranging from Assistant Secretary of Labor to Counselor to the President to Ambassador to India and then the United Nations. His publications--and they are more often than not hard hitting, controversial publications--are legion. Parenthetically, if any of these were inadvertently omitted from the materials which were sent to you, I have a full listing available here. He is a member of several scholarly organizations, and is a full Professor in the John F. Kennedy School of Government, Harvard University.

His other positions of responsibility, awards and honors are too numerous to mention here.

Mr. Moynihan has created controversy. He has stirred thought and scholarly debate on a wide range of subjects. He has challenged ideas, engendered inquiry and stood up for his own convictions. I had thought that these were the qualities that this nation treasured.

It is precisely these qualities that I look for in a scholar, a colleague, or a commencement speaker. And it is precisely these qualities that an institution of higher education should honor.

We could search out and honor only those who are universally agreeable, who displease no one. We could honor mediocre, faceless persons who speak nothing to us but pious platitudes. I hope we never will.

The University should instead honor people who inspire the discussion of public issues, people who think deeply and challenge others to do likewise. We should honor those who do speak out, who voice their convictions, who stand for something.



May 7, 1976 meeting, Board of Trustees

GENERAL RECOMMENDATIONS (continued)

Honorary Degrees (continued)

President Enarson's statement:

Mr. Moynihan meets and exceeds any and all criteria which should be applied to recipients of an honorary degree. I strongly believe that he should be awarded an honorary Doctor of Laws degree from this institution.

Mr. Smith made the following remarks:

Mr. Chairman: While I don't totally agree with Mrs. James on sociological comments that have been made by Mr. Moynihan and the way they have been interpreted, I think there are some truths in those statements. Mrs. James left out one comment of his about 'benign neglect' that was certainly in the press and offended the Black community of our Nation. I agree with the President when we seek out a candidate, we don't seek out a perfect candidate. Whoever we pick who has been active in public life, has probably offended someone or some group during the course of that public life. However, maybe that criterion cannot be the test. We have used, I think, that criterion before in that the Board--I go back to discussions, for example, on collective bargaining where the comment was made that we should consider how our position would affect those who make monetary contributions to the University. When those arguments were made, and they were made by other Board members and by the administration, I didn't comment. I am pragmatic enough to think there was some reason behind that, but I think you know we are considering a group here that might be offended and this group makes a financial contribution to this University. These are Black taxpayers and they get little enough from this University. I would like to see a cost benefit ratio on the tax dollars that they put into this University.

I have had Black leaders indicate to me that they would be offended if we took this action. I think we ought to be sensitive to that point as much as we are sensitive to financial contributors to this University. I support Mrs. James' position.

May 7, 1976 meeting, Board of Trustees

GENERAL RECOMMENDATIONS (continued)

Honorary Degrees (continued)

Mr. Devenow then made the following statement:

I would like to comment that while Mrs. James raises an issue which is very close and dear to her, I have followed the life of Mr. Moynihan very closely, and despite the fact that he has made some comments which I think any man in political life has made over the years which may not be completely acceptable to certain groups, the man's record as a liberal, as standing for what he believes to be the truth, must be respected whether you agree with him or not. He certainly has called them as he has seen them. I think that perhaps a great deal of what has been said about him--now I know you say you have read deeply in his writing--has been taken out of context. Basically the man has been a great contributor to a great many causes which benefit all races in this country. I certainly would have to say that if you were going to destroy his contributions on the basis of some things that have been unacceptable to you that would not be fair to him, either.

Mr. Dunlap said he would entertain a motion that Mr. Stone and Mr. Moynihan be voted on separately.

Upon motion of Mr. Devenow, seconded by Mr. Harrod, the Board of Trustees approved by unanimous roll call vote that the vote on Mr. Stone and Mr. Moynihan be divided.

Upon motion of Mr. Gushman, seconded by Mr. Harrod, the Board of Trustees approved the awarding of the honorary degree to Mr. Stone by unanimous roll call vote.

Upon motion of Mr. Hilliker, seconded by Dr. Jacob, the Board of Trustees approved the awarding of the honorary degree to Mr. Moynihan with seven affirmative votes and Mrs. James and Mr. Smith casting negative votes.

Naming of Buildings

Resolution No. G-1976-1.3

WHEREAS pursuant to Article VIII, Section 7, of the Bylaws of the Board of Trustees, the authority for naming buildings on the campuses of The Ohio State University rests with the said Board; and

WHEREAS upon the recommendation of the President, with the concurrence of the President's Staff, the satellite recreation facilities at three designated locations be named:

May 7, 1976 meeting, Board of Trustees

GENERAL RECOMMENDATIONS (continued)

Naming of Buildings (continued)

North Recreation Center, 2151 Neil Avenue  
South Recreation Center, 175 West Eleventh Avenue  
West Recreation Center, 1031 Carmack Road

NOW THEREFORE

BE IT RESOLVED, That the foregoing described facilities be named as specified.

Upon motion of Mr. Gushman, seconded by Dr. Jacob, the Board of Trustees adopted the foregoing resolution by unanimous roll call vote.

Conditions for Sale of Tickets

Resolution No. G-1976-1.4

WHEREAS the University sells tickets for admission to a number of University-sponsored activities for the sole intended use of the original purchaser to attend the performance; and

WHEREAS the University opposes the resale of tickets for the personal gain of the purchaser;

NOW THEREFORE

BE IT RESOLVED, That the following conditions for the sale of tickets be adopted by this Board:

All tickets sold to University-sponsored events are non-transferrable except at a price equal to or below the price printed thereon. Any person violating this condition of sale may be denied the privilege of attending or purchasing tickets to any University-sponsored activity. In addition, "hawking" of tickets on the day of the activity in the vicinity of its performance will result in the ejection of such person from the premises. The University in all events shall hold the original purchaser as well as any and all subsequent purchasers or assignees responsible for the violation of any of the conditions specified herein.

Upon motion of Mr. Gushman, seconded by Dr. Sirak, the Board of Trustees adopted the foregoing resolution by unanimous roll call vote.

Rule Governing Resident and Non-Resident Student Status for Tuition Surcharge Purposes Resolution No. G-1976-1.5

WHEREAS this Board on September 5, 1975, adopted the Board of Regents' Rule Governing Resident and Non-Resident Student Status for Tuition Surcharge Purposes; and

May 7, 1976 meeting, Board of Trustees

GENERAL RECOMMENDATIONS (continued)

Rule Governing Resident and Non-Resident  
Student Status for Tuition Surcharge Purposes (continued)

WHEREAS the Ohio Board of Regents at its meeting April 23, 1976, amended the said rule to provide for political refugees under the section entitled, "Specific Exceptions and Circumstances," which governs the allocation of State subsidy;

NOW THEREFORE

BE IT RESOLVED, That Paragraph D (3) of the Rule Governing Resident and Non-Resident Student Status for Tuition Surcharge Purposes be amended to read as follows:

Any alien holding an immigration visa or classified as a political refugee shall be considered a resident of the State of Ohio for tuition surcharge purposes in the same manner as any other student.

RESOLVED further, That this change be effective with the Summer Quarter, 1976.

Upon motion of Dr. Jacob, seconded by Mr. Gushman, the Board of Trustees adopted the foregoing resolutions by unanimous roll call vote.

\*

\*

\*

PERSONNEL ACTIONS

Resolution No. PA-1976-1.1

RESOLVED, That the personnel actions as recorded in the "Salary Roll," of the University since the April 2, 1976, meeting of the Board, including the following Appointments, Leaves of Absence Without Salary, and Emeritus Titles be approved.

Upon motion of Mr. Devenow, seconded by Dr. Jacob, the Board of Trustees adopted the foregoing resolution by unanimous roll call vote.

Appointments

Name:	WALT D. CRAIG
Title:	Ombudsman
Department:	Office of the President
Effective:	July 1, 1976
Salary:	\$26,488.00
Present Position:	Associate Professor, Department of Photography and Cinema

May 7, 1976 meeting, Board of Trustees

PERSONNEL ACTIONS (continued)

Appointments (continued)

Name: ANDREW J. BROEKEMA  
Title: Dean  
College: College of The Arts  
Effective: July 1, 1976  
Salary: \$39,168.00  
Present Position: Chairman, Department of Music, Arizona State University

Name: JULIAN H. MARKELS  
Title: Professor and Chairman  
Department: English  
Effective: October 1, 1976  
Salary: \$29,328.00  
Present Position: Professor, Department of English

Name: ROBERT O. WASHINGTON  
Title: Professor and Director  
School: School of Social Work  
Effective: July 1, 1976  
Salary: \$37,008.00  
Present Position: Associate Dean, School of Social Work, University of Wisconsin-Milwaukee

Leaves of Absence Without Salary

DANIEL L. LEUSSING, Professor, Department of Chemistry, effective January 1, 1976 through March 31, 1976, to accept a Visiting Professorship of Biological Chemistry at Harvard Medical School.

ESTHER A. MEACHAM, Professor, School of Home Economics, effective April 1, 1976 through May 31, 1976, to develop improved instructional material.

GIACOMO A. SANI, Professor, Department of Political Science, effective October 1, 1976 through September 30, 1977, to accept a Guggenheim Fellowship to conduct research on Italian politics.

JOHN V. BAUMLER, Associate Professor, Academic Faculty of Accounting, effective April 1, 1976 through June 30, 1976, to accept a professorial internship with Owens-Illinois in Toledo, Ohio.

May 7, 1976 meeting, Board of Trustees

PERSONNEL ACTIONS (continued)

Leaves of Absence Without Salary (continued)

ROBERT L. BERAN, Associate Professor, Department of Anatomy, effective July 1, 1976 through June 30, 1977, to complete his coordination of medical education contract at the Association of American Medical Colleges in Washington, D. C.

DARWIN B. CLOSE, Associate Professor, Academic Faculty of Finance, effective October 1, 1976 through September 30, 1977, to serve as Visiting Professor of Insurance and Director of the Center for Insurance Education and Research at University of Connecticut.

R. WILLIAM LIDDLE, Associate Professor, Department of Political Science, effective October 1, 1976 through September 30, 1977, to accept the Fulbright-Hays Research position at the Institute of Southeast Asian Studies, Singapore.

WALTER SCHEPS, Associate Professor, Department of English, effective April 1, 1976 through June 30, 1976, to serve as Visiting Associate Professor of English at the State University of New York, Stony Brook, Long Island, New York.

RICHARD W. BJORNSON, Assistant Professor, Division of Comparative Literature, effective October 1, 1976 through September 30, 1977, to accept Fulbright Lectureship at the University of Cameroon, Yaounde.

LINDA ANN MEEKS, Assistant Professor, School of Health, Physical Education, and Recreation, effective October 1, 1976 through September 30, 1977, to pursue a program of professional improvement at the University of Toledo.

GERALD B. RICE, Assistant Professor, Mansfield Campus, effective October 1, 1976 through September 30, 1977, to pursue his doctoral degree at Ohio University.

ALFRED E. STAUBUS, Assistant Professor, College of Pharmacy, effective July 28, 1976 through September 2, 1976, to serve as a Summer Visiting Professor at Abbott Laboratories.

May 7, 1976 meeting, Board of Trustees

PERSONNEL ACTIONS (continued)

Leaves of Absence Without Salary (continued)

DANIEL L. WISECARVER, Assistant Professor, Department of Economics, effective October 1, 1976 through September 30, 1977, to accept a position as an Economic Advisor to the National Planning Council of El Salvador.

ANN MARIE DOWNEY, Instructor, School of Health, Physical Education, and Recreation, effective October 1, 1976 through September 30, 1977, to pursue her doctoral degree at the University of Maryland.

SHARON LOU HOELSCHER, Instructor, Cooperative Extension Service, effective July 15, 1976 through July 14, 1977, to pursue her master's degree at Michigan State University.

ELAINE H. VITELLO, Instructor, School of Health, Physical Education, and Recreation, effective October 1, 1976 through September 30, 1977, to pursue her doctoral degree at Southern Illinois University.

Emeritus Titles

JAMES H. DAVIS, Academic Faculty of Marketing, with the title Professor Emeritus, effective April 1, 1976.

WILBUR E. STUCKEY, Cooperative Extension Service, with the title Professor Emeritus, effective April 1, 1976.

\*

\*

\*

REPORT OF RESEARCH CONTRACTS,  
GRANTS, AND GIFTS

Resolution No. C-1976-1.1

WHEREAS monies are solicited and received on behalf of the University from governmental, industrial, other agencies, alumni, and various individuals in support of research, instructional activities and service; and

WHEREAS such gifts and grants are received through the Office of Business and Administration of the University, The Ohio State University Research Foundation, the Engineering Experiment Station of The Ohio State University, and The Ohio State University Development Fund;

NOW THEREFORE

May 7, 1976 meeting, Board of Trustees

REPORT OF RESEARCH CONTRACTS,  
GRANTS, AND GIFTS (continued)

BE IT RESOLVED, That the research agreement between The Ohio State University and The Ohio State University Research Foundation for the contracts and grants reported herein, and the acceptance of the report from the Office of Business and Administration and The Ohio State University Development Fund during the month of March, 1976, be approved.

Upon motion of Mr. Devenow, seconded by Mr. Gushman, the Board of Trustees adopted the foregoing resolution by unanimous roll call vote.

SUMMARY FOR MARCH 1976

Source	No. of Projects	Support Level
Office of Business and Administration	14	\$ 836,849.00
The Ohio State University Research Foundation	42	<u>1,370,296.00</u>
		\$2,207,145.00
The Ohio State University Develop- ment Fund	1,784 Donors	\$ 315,933.46
Including establishment of:		
The Lloyd W. and Evelyn M. Bogart Fund		10,000.00
The Daniel J. L. Firestone Photography Scholarship		10,000.00
The Fred R. Taylor Scholarship Fund		10,000.00
Louis H. Mendelson, M. D. '23 Award Fund		1,100.00



May 7, 1976 meeting, Board of Trustees

REPORT OF RESEARCH CONTRACTS, GRANTS, AND GIFTS (continued)

Office of Business and Administration

Federal Contracts/Grants

1. \$321,416.00--Department of Health, Education, and Welfare, National Institute of Education, Contracts/Grants Management Division, Washington, D. C., Instructional Systems Design, Center for Vocational Education, February 1, 1976 through June 30, 1977. (Contract/Order No. NE-C-00-3-0078, Modification No. 6)
2. \$147,067.00--Department of Health, Education, and Welfare, Public Health Service, Bethesda, Maryland, Biomedical Research Support Grant, College of Medicine, April 1, 1976 through March 31, 1977. (Grant No. 5 S07 RR05409-15)
3. \$110,885.00--Department of Health, Education, and Welfare, Public Health Service, Bethesda, Maryland, Biomedical Research Support Grant, Graduate School, April 1, 1976 through March 31, 1977. (Grant No. 5 S07 RR07074-11)
4. \$88,319.00--Department of Health, Education, and Welfare, Public Health Service, National Library of Medicine, Bethesda, Maryland, Biomedical Computing and Information Processing, College of Medicine, July 1, 1976 through June 30, 1977. (Grant No. 5 T01 LM00159-02)
5. \$37,739.00--Department of Health, Education, and Welfare, Public Health Service, Bethesda, Maryland, Biomedical Research Support Grant, College of Pharmacy, April 1, 1976 through March 31, 1977. (Grant No. 5 S07 RR05607-10)
6. \$28,741.00--Department of Health, Education, and Welfare, Public Health Service, Health Resources Administration, Bureau of Health Resources Development, Bethesda, Maryland--\$22,306.00 for Health Professions Student Loans-Baccalaureate Degree, July 1, 1975 through June 30, 1976; and \$6,435.00 for Health Professions Scholarships-Baccalaureate Degree, School of Nursing, July 1, 1975 through June 30, 1977. (I. D. No. 05L390029-76; Former No. B 7 45 0430 15 1)
7. \$1,857.00--Department of Health, Education, and Welfare, Public Health Service, Health Resources Administration, Bureau of Health Resources Development, Bethesda, Maryland, Health Professions Student Loans-Graduate Degree, School of Nursing, July 1, 1975 through June 30, 1976. (I. D. No. 05L290068-76; Former No. G 7 45 0430 15 1)

May 7, 1976 meeting, Board of Trustees

REPORT OF RESEARCH CONTRACTS, GRANTS, AND GIFTS (continued)

Office of Business and Administration (continued)

Federal Contracts/Grants (continued)

8. \$875.00--Small Business Administration, Washington, D. C., Management Counseling and Technical Assistance, Mansfield Regional Campus, effective December 9, 1975. (Contract/Order No. SBA-0163-PMA-76)

TOTAL - Federal Contracts/Grants \$736, 899.00

State of Ohio Contracts/Grants

1. \$5,000.00--State of Ohio, Department of Education, Columbus, Ohio, Workshop for Welding Instructors, Academic Faculty of Vocational-Technical Education, June 21, 1976 through July 2, 1976.

Industrial and Other Contracts/Grants

1. \$49,735.00--Gallaudet College, Washington, D. C., Continuation of the MSSD Career Education Document, Center for Vocational Education, September 1, 1975 through August 31, 1976. (Contract No. 76209)
2. \$33,378.00--City of Baltimore, Department of Education (Through Mayor and City Council of Baltimore), Baltimore, Maryland, conducting a study of employment needs and interests for Vocational Education Program, Center for Vocational Education, March 1, 1976 through May 15, 1976.
3. \$7,012.00--North Central Regional Center for Rural Development, Iowa State University of Science and Technology, Ames, Iowa, support in the development of educational materials related to land use, Department of Agricultural Economics and Rural Sociology, March 15, 1976 through June 15, 1976.
4. \$2,650.00--Barberton Public Schools, Barberton, Ohio, a study of Barberton High School facilities to assess current and long-range adequacy to serve the community in the desired educational program, Academic Faculty of Educational Administration, April 1, 1976 through September 24, 1976.
5. \$2,175.00--Ohio Program in the Humanities, Columbus, Ohio, Boyd H. Bode Lecture 1976, College of Education, effective April 1, 1976. (OPH-76-150)

TOTAL - Industrial and Other Contracts/Grants \$94,950.00

May 7, 1976 meeting, Board of Trustees

REPORT OF RESEARCH CONTRACTS, GRANTS, AND GIFTS (continued)

The Ohio State University Research Foundation

Federal Research Contracts/Grants

1. \$136,462.00--Department of Health, Education, and Welfare, Public Health Service, National Institutes of Health, National Library of Medicine, Bethesda, Maryland, for Ohio Regional Medical Audio-visual Center, Department of Medical Administration, 1 April 1976 through 31 March 1977. (Project 4384-A1 - New)
2. \$97,446.00--Department of Health, Education, and Welfare, Public Health Service, Alcohol, Drug Abuse, and Mental Health Administration, National Institute of Mental Health, Rockville, Maryland, for Ohio Quality of Work Project, Academic Faculty of Labor and Human Resources, 25 June 1975 through 31 May 1977. (Project 4363-A1 - New)
3. \$95,328.00--Environmental Protection Agency, Argonne, Illinois, for Effects of Sized Asbestos Fibers on Cellular DNA, Membrane Structure-function, Intermediary Metabolism and Cellular Transformation by Physical, Chemical, or Viral Carcinogen, Department of Radiology, 15 April 1976 through 14 April 1977. (Project 4395-A1 - New)
4. \$88,434.00--Department of Health, Education, and Welfare, Public Health Service, National Institutes of Health, National Cancer Institute, Bethesda, Maryland, for Neurooncogenesis by Resorptive Carcinogens, Department of Veterinary Pathobiology, 1 February 1976 through 31 January 1977. (Project 2762-G - Extension No. 7)
5. \$76,060.00--Department of Health, Education, and Welfare, Public Health Service, National Institutes of Health, National Cancer Institute, Bethesda, Maryland, for Chemical Studies Related to Hydrocarbon Carcinogenesis, Department of Chemistry, 1 June 1976 through 31 May 1977. (Project 3284-A6 - Extension No. 5)
6. \$64,000.00--National Science Foundation, Washington, D. C., for Warp Restraining Concepts and Lateral-Torsional Buckling of Beams, Department of Civil Engineering, 15 March 1976 through 28 February 1978. (Project 4379-A1 - New)
7. \$62,611.00--Department of Health, Education, and Welfare, Public Health Service, National Institutes of Health, National Cancer Institute, Bethesda, Maryland, for Chemical Carcinogenesis and Immunity, Department of Microbiology, 25 March 1975 through 24 July 1976. (Project 4134-A1 - Modification No. 2)
8. \$52,500.00--U. S. Energy Research and Development Administration, Argonne, Illinois, for Corrosion, Stress Corrosion Cracking, and Electrochemistry of the Iron and Nickel Base Alloys in Caustic Environments, Department of Metallurgical Engineering, 1 March 1976 through 29 February 1977. (Project 3886-A3 - Modification No. 1-1)

May 7, 1976 meeting, Board of Trustees

REPORT OF RESEARCH CONTRACTS, GRANTS, AND GIFTS (continued)

The Ohio State University Research Foundation (continued)

Federal Research Contracts/Grants (continued)

9. \$41,989.00--National Endowment for the Humanities, Washington, D. C., for Metaphysical Directions in Islamic and Jewish Medieval Philosophy, Department of Philosophy, 1 January 1976 through 31 October 1976. (Project 4367-A1 - New)
10. \$40,538.00--Department of Health, Education, and Welfare, Public Health Service, National Institutes of Health, National Heart and Lung Institute, Bethesda, Maryland, for The Pharmacologic Control of Mast Cell Phosphodiesterase, Department of Pharmacology, 1 April 1976 through 31 March 1977. (Project 4385-A1 - New)
11. \$39,821.00--U. S. Energy Research and Development Administration, Argonne, Illinois, for Hydrogen Attack of Steel, Department of Metallurgical Engineering, 1 April 1976 through 31 March 1977. (Project 4386-A1 - New)
12. \$36,985.00--Department of Health, Education, and Welfare, Public Health Service, National Institutes of Health, National Cancer Institute, Bethesda, Maryland, for Synthesis of Carcinogenic Compounds, Department of Chemistry, 1 March 1976 through 28 February 1977. (Project 1809-L - Extension No. 12)
13. \$33,806.00--Department of Health, Education, and Welfare, Public Health Service, National Institutes of Health, Division of Research Resources, Bethesda, Maryland, for Biomedical Research Support Grant, College of Veterinary Medicine, 1 April 1976 through 31 March 1977. (Project 2776-A7 - Extension No. 7)
14. \$32,614.00--Department of Health, Education, and Welfare, Public Health Service, National Institutes of Health, National Institute of General Medical Sciences, Bethesda, Maryland, for Flavoenzyme Mechanisms: Redox and Non-redox Reactions, Department of Chemistry, 1 March 1976 through 28 February 1977. (Project 4374-A1 - New)
15. \$30,065.00--Department of the Navy, Office of Naval Research, Arlington, Virginia, for A Fundamental Investigation of a Hybrid Technique for General Electromagnetic Scatterers and Antennas, ElectroScience Laboratory, Department of Electrical Engineering, 1 February 1976 through 31 January 1977. (Project 4372-A1 - New)
16. \$28,900.00--National Science Foundation, Washington, D. C., for Chemistry of Metal-Carbon Sigma Bonds, Department of Chemistry, 1 March 1976 through 28 February 1977. (Project 4375-A1 - New)

May 7, 1976 meeting, Board of Trustees

REPORT OF RESEARCH CONTRACTS, GRANTS, AND GIFTS (continued)

The Ohio State University Research Foundation (continued)

Federal Research Contracts/Grants (continued)

17. \$26,268.00--Department of Health, Education, and Welfare, Public Health Service, National Institutes of Health, National Institute of General Medical Sciences, Bethesda, Maryland, for Biochemical Applications of Osmium Chemistry, Department of Biochemistry, 1 April 1976 through 31 March 1977. (Project 3721-A3 - Extension No. 7)
18. \$24,000.00--Department of the Navy, Office of Naval Research, Arlington, Virginia, for Fundamental Studies of Dissolution and Passivity of Alloys and Compounds, Department of Metallurgical Engineering, 1 March 1975 through 28 February 1977. (Project 4131-A1 - Modification No. P00001)
19. \$24,000.00--Department of the Navy, Office of Naval Research, Arlington, Virginia, for Welding Fluxes--"Optimization of Performance of Arc Welding Using Fluxes for Joining HY100 and HY130 KPSI in Ship Structures," Department of Welding Engineering, 1 February 1975 through 31 January 1977. (Project 4125-A1 - Modification No. P00001)
20. \$20,000.00--National Aeronautics and Space Administration, Greenbelt, Maryland, for Scintillation Measurements During the Return of ATS-6, ElectroScience Laboratory, Department of Electrical Engineering, 2 September 1975 through 1 January 1977. (Project 4299-A1 - Modification No. 2)
21. \$20,000.00--National Science Foundation, Washington, D. C., for Biostratigraphy of James Ross Island Area, Antarctica, Institute of Polar Studies, 1 September 1974 through 31 January 1977. (Project 4073-A1 - NSF Letter Dated 27 February 1976)
22. \$16,300.00--National Science Foundation, Washington, D. C., for Presentation Variables in Serial Pattern Processing, Department of Psychology, 1 May 1975 through 30 April 1977. (Project 4085-A1 - NSF Letter Dated 17 March 1976)
23. \$15,000.00--National Science Foundation, Washington, D. C., for Soil and Soil Organic Characteristics of Selected Arctic Tundra Environments, Alaska, Institute of Polar Studies, 1 May 1975 through 30 April 1977. (Project 4184-A1 - NSF Letter Dated 2 March 1976)
24. \$14,700.00--National Aeronautics and Space Administration, Goddard Space Flight Center, Greenbelt, Maryland, for Analysis of the Spatial and Temporal Variation of the Ice in Antarctica, Department of Geography, 1 April 1976 through 1 April 1977. (Project 4380-A1 - New)

May 7, 1976 meeting, Board of Trustees

REPORT OF RESEARCH CONTRACTS, GRANTS, AND GIFTS (continued)

The Ohio State University Research Foundation (continued)

Federal Research Contracts/Grants (continued)

25. \$14,598.00--Environmental Protection Agency, Washington, D. C., for EPA/ORD Project Officers Course - Grant Administration and Inter-agency Agreements, Division of Continuing Education, College of Administrative Science, 5 March 1976 through 30 June 1976. (Project 4376-A1 - New)
26. \$14,000.00--National Aeronautics and Space Administration, Goddard Space Flight Center, Greenbelt, Maryland, for The Direct Combination of Satellite and Gravity Data, Department of Geodetic Science, 1 May 1971 through 31 October 1976. (Project 3210-A1 - Supplement No. 7)
27. \$12,597.00--Department of Health, Education, and Welfare, Public Health Service, National Institutes of Health, National Heart and Lung Institute, Bethesda, Maryland, for Wall Shear Stresses in Coronary Vessels, Department of Veterinary Physiology and Pharmacology, 1 October 1974 through 30 April 1976. (Project 3797-A2 and B2 - Supplement No. 2)
28. \$10,400.00--National Science Foundation, Washington, D. C., for Approximation Theory and Orthogonal Polynomials, Department of Mathematics, 1 May 1976 through 30 April 1977. (Project 4388-A1 - New)
29. \$10,000.00--National Aeronautics and Space Administration, Lewis Research Center, Cleveland, Ohio, for Remote Sensing of Lake Ice Thickness, ElectroScience Laboratory, Department of Electrical Engineering. (Project 3892-A1 - Supplement No. 2)
30. \$10,000.00--U. S. Air Force, Air Force Office of Scientific Research, Bolling Air Force Base, D. C., for A Model of the Adaptive and Discrete Control Behavior of Human Operations, Department of Industrial and Systems Engineering, 1 June 1976 through 31 May 1977. (Project 4382-A1 - New)
31. \$9,700.00--National Science Foundation, Washington, D. C., for Combinatorial Designs and Related Structures, Department of Mathematics, 1 July 1976 through 30 June 1977. (Project 4371-A1 - New)
32. \$8,860.00--National Science Foundation, Washington, D. C., for Undergraduate Research Participation, Department of Biochemistry, 11 March 1976 through 31 May 1977. (Project 4383-A1 - New)

May 7, 1976 meeting, Board of Trustees

REPORT OF RESEARCH CONTRACTS, GRANTS, AND GIFTS (continued)

The Ohio State University Research Foundation (continued)

Federal Research Contracts/Grants (continued)

33. \$3,500.00--Department of the Army, U. S. Army Electronics Command, Fort Monmouth, New Jersey, for Multiturn Loop Antenna for Vehicular Applications, ElectroScience Laboratory, Department of Electrical Engineering, 25 July 1974 through 4 June 1976. (Project 3985-A1 - Modification No. P00001)
34. \$2,450.00--Department of Health, Education, and Welfare, Public Health Service, Food and Drug Administration, Rockville, Maryland, for Review of the Status of Cadmium, Department of Veterinary Preventive Medicine, 23 December 1975 through 22 June 1976. (Project 4370-A1 - New)
35. \$1,530.00--Department of the Navy, Office of Naval Research, Arlington, Virginia, for Contract Administration and Procurement Management Courses, Division of Continuing Education, College of Administrative Science. (Project 4080-A1 - Modification No. P00003)

TOTAL - FEDERAL RESEARCH CONTRACTS/GRANTS \$1,215,462.00

Industrial, Private, and Other Non-Federal  
Research Contracts/Grants

1. \$63,372.00--Adria Laboratories, Inc., Wilmington, Delaware, for Cardiotoxicity of Adriamycin, Department of Medicine, 1 April 1976 through 31 March 1978. (Project 4393-A1 and B1 - New)
2. \$22,162.00--Southwest Oncology Group, Kansas City, Kansas, for Southwest Oncology Group, Department of Radiology, 1 January 1976 through 31 December 1976. (Project 4247-A2 and B2 - Extension No. 1)
3. \$22,000.00--Union Carbide Corporation, Oak Ridge, Tennessee, for Fundamental Study of Spiking in Partial Penetration Electron Beam Welding of Uranium and Refractory Materials, Department of Welding Engineering, 1 November 1975 through 31 October 1976. (Project 2918-E - Supplemental Agreement No. 10)
4. \$14,000.00--Biosciences Information Service of Biological Abstracts, Philadelphia, Pennsylvania, for Education of Information Users, Division of Art, 15 January 1976 through 14 May 1976. (Project 4377-A1 - New)

May 7, 1976 meeting, Board of Trustees

REPORT OF RESEARCH CONTRACTS, GRANTS, AND GIFTS (continued)

The Ohio State University Research Foundation (continued)

Industrial, Private, and Other Non-Federal  
Research Contracts/Grants (continued)

5. \$14,000.00--The Petroleum Research Fund (The American Chemical Society), Washington, D. C., for Regioselectivity Control in Photochemical Additions, Department of Chemistry, 1 September 1976 through 31 August 1978. (Project 4387-A1 - New)
6. \$9,000.00--University of Alaska, Tundra Biome Center, College, Alaska, for The Structure and Function of the Tundra Ecosystem, Institute of Polar Studies. (Project 3994-A1 - Amendment No. 1)
7. \$5,300.00--Philip Morris Research Center, U.S.A., Richmond, Virginia, for The Effect of Nicotine on Excitatory and Inhibitory Processes in Learned and Unlearned Behaviors, Department of Psychology, 1 January 1975 through 31 May 1977. (Project 4094-A1 - Letter Dated 9 March 1976)
8. \$5,000.00--Columbus Foundation, Columbus, Ohio, for Frontier Worthington, Civil Liberties, Social Values and the American Dream, Department of Speech Communication. (Project 4355-A1 - Letter Dated 18 March 1976)

TOTAL - INDUSTRIAL, PRIVATE, AND OTHER NON-  
FEDERAL RESEARCH CONTRACTS/GRANTS \$154,834.00

The Ohio State University Development Fund

Gifts of \$5,000 or More

1. \$31,642.42 from Consolidated Business Services, Inc., Columbus, Ohio, for the Department of Medicine General Fund.
2. \$15,000.00 from Foundation for Endowment of a Chair at Ohio State University, Inc., New York, New York, for the Meshulam Riklis Chair in Business and Its Environment Fund.
3. \$13,500.00 from Mr. Sidney L. Pressey, Columbus, Ohio--\$12,500.00 for the University Honors Fund and \$1,000.00 for the Dental Research Fund.
4. \$12,510.00 from the Ohio Electric Utility Institute, Columbus, Ohio, for their fellowship fund.
5. \$8,265.00 from The Charles F. High Foundation, Bucyrus, Ohio, for their scholarship fund.



May 7, 1976 meeting, Board of Trustees

REPORT OF RESEARCH CONTRACTS, GRANTS, AND GIFTS (continued)

The Ohio State University Development Fund (continued)

Gifts of \$5,000 or More (continued)

6. \$8,000.00 from The Merck Company Foundation, Rahway, New Jersey, for their grant to the Department of Chemistry.
7. \$7,500.00 from The Procter & Gamble Company, Cincinnati, Ohio, for the Veterinary Pathobiology Training Fund.
8. \$6,367.00 from the Grace High Washburn Trust, Bucyrus, Ohio, for its scholarship fund.
9. \$6,100.21 from Antique Show Receipts (given in the name of Josephine Failer, Columbus, Ohio), for a purpose to be designated at a later date.
10. \$5,000.00 from International Business Machines Corporation, Armonk, New York, for the Minority Assistance Program in the College of Administrative Science.
11. \$5,000.00 from Union Carbide Corporation, Ashtabula, Ohio, for their fellowship fund in Welding Engineering.

Gift-in-Kind

1. Battelle Memorial Institute, Columbus, Ohio, gave a computer controlled animation facility to be housed in the Department of Photography and Cinema and a \$3,000.00 cash gift for the Friends of WOSU Fund.

Establishment of Named Funds

1. \$10,000.00 from Lloyd W. Bogart and Evelyn M. Bogart for the establishment of The Lloyd W. and Evelyn M. Bogart Fund.

The Lloyd W. and Evelyn M. Bogart Fund

The Lloyd W. and Evelyn M. Bogart Fund was established May 7, 1976, by the Board of Trustees of The Ohio State University with a gift to The Ohio State University Development Fund from Lloyd W. Bogart (B.S. Bus. Adm. '33) and Evelyn M. Bogart (B.S. Ed. '32), Fremont, Ohio.

All gifts are to be invested in the University's Permanent Endowment Fund under the rules and regulations adopted by the Board of Trustees of The Ohio State University, with the right to invest and reinvest as occasion dictates.

May 7, 1976 meeting, Board of Trustees

REPORT OF RESEARCH CONTRACTS, GRANTS, AND GIFTS (continued)

The Ohio State University Development Fund (continued)

Establishment of Named Funds (continued)

1. The Lloyd W. and Evelyn M. Bogart Fund (continued)

The annual income is to be used alternately by the College of Administrative Science and the College of Medicine for either student scholarships or research which shall be determined by the deans. Students who have demonstrated academic ability and the need for financial assistance should receive first consideration when the fund is used for scholarship purposes.

Should the need for this fund cease to exist or so diminish as to provide unused income, then the income may be used for any purpose whatsoever as determined by the Board of Trustees.

2. \$10,000.00 from Daniel J. L. Firestone for the establishment of The Daniel J. L. Firestone Photography Scholarship.

The Daniel J. L. Firestone Photography Scholarship

The Daniel J. L. Firestone Photography Scholarship was established May 7, 1976, by the Board of Trustees of The Ohio State University with a gift to The Ohio State University Development Fund from Daniel J. L. Firestone, B.S. Bus. Adm. '51, of Columbus, Ohio.

All gifts are to be invested in the University's Permanent Endowment Fund, under the rules and regulations adopted by the Board of Trustees of The Ohio State University, with the right to invest and reinvest as occasion dictates.

The annual income is to be used to provide one or more scholarships for undergraduate students enrolled in the Department of Photography. The selection of the recipient(s) is to be made by the University Scholarship Committee upon the recommendation of the Chairman of the Department of Photography and the Dean of the College of Engineering.

Should the need for this fund cease to exist or so diminish as to provide unused income, then the income may be used for any purpose whatsoever as determined by the Board of Trustees, with preference being given to recommendations from the appropriate administrative official of the University who is then directly responsible for the study of photography.

May 7, 1976 meeting, Board of Trustees

REPORT OF RESEARCH CONTRACTS, GRANTS, AND GIFTS (continued)

The Ohio State University Development Fund (continued)

Establishment of Named Funds (continued)

3. \$10,000.00 from friends and associates of Fred R. Taylor for the establishment of The Fred R. Taylor Scholarship Fund.

The Fred R. Taylor Scholarship Fund

The Fred R. Taylor Scholarship Fund was established May 7, 1976, by the Board of Trustees of The Ohio State University with gifts to The Ohio State University Development Fund from friends and associates in honor of Fred R. Taylor (B.S.Ed. '50), who has distinguished himself as an outstanding teacher and coach for eighteen years.

All gifts are to be invested in the University's Permanent Endowment Fund, under the rules and regulations adopted by the Board of Trustees of The Ohio State University, with the right to invest and reinvest as occasion dictates.

The annual income is to be used to provide one or more scholarships for undergraduate and/or graduate students who have indicated a desire to pursue a career in baseball or basketball coaching. Individuals selected to receive this scholarship should have clearly demonstrated personal qualities of leadership and academic potential. Financial need may or may not be a consideration. The selection of the recipient is to be made upon the recommendation of the University Scholarship Committee.

Should the need for these scholarships cease to exist or so diminish as to provide unused income, then the income may be used for any purpose whatsoever as determined by the Board of Trustees, with preference being given to recommendations from the appropriate administrative official of the University who is then directly responsible for scholarships.

4. \$1,100.00 from the family and friends of Louis H. Mendelson for the establishment of the Louis H. Mendelson, M. D. '23 Award Fund.

Louis H. Mendelson, M. D. '23 Award Fund

The Louis H. Mendelson, M. D. '23 Award Fund was established May 7, 1976, by the Board of Trustees of The Ohio State University with gifts to The Ohio State University Development Fund from the family and friends of Louis H. Mendelson, M. D. '23, Springfield, Ohio, Clinical Assistant Professor in the Department of Medicine from 1951 to 1965, in honor of his 75th birthday.

May 7, 1976 meeting, Board of Trustees

REPORT OF RESEARCH CONTRACTS, GRANTS, AND GIFTS (continued)

The Ohio State University Development Fund (continued)

Establishment of Named Funds (continued)

4. Louis H. Mendelson, M. D. '23 Award Fund (continued)

All gifts are to be invested in the University's Permanent Endowment Fund, under the rules and regulations adopted by the Board of Trustees of The Ohio State University, with the right to invest and reinvest as occasion dictates.

The annual income is to be used to provide an annual award to a graduating medical student who has demonstrated outstanding abilities in Cardiology. The selection of the recipient will be made upon the recommendations of the Chairman of the Department of Cardiology, with the approval of the Dean of the College of Medicine.

Should the need for these awards cease to exist or so diminish as to provide unused income, then the income may be used for any purpose whatsoever as determined by the Board of Trustees, with preference being given to recommendations from the appropriate administrative official of the University who is then directly responsible for cardiology education.

\*

\*

\*

PLANS AND SPECIFICATIONS

Resolution No. PS-1976-1.1

WHEREAS at the request of the Vice President for Business and Administration the plans and specifications, bills of materials and estimates of costs for the following projects are presented for approval:

Deaerating Feedwater Heater

Project: A new feedwater heater will remove oxygen from the boiler water system thereby prolonging the life span of the boiler system in the McCracken Power Plant.

Funding: H. B. 687 (Utilities and Renovation)

Estimated Project Cost: \$120,000.00

Energy Conservation--Phase II (Project C)

Project: Modification in the heating and cooling equipment in the Hospital Clinic Building, Graves Hall, Newton Hall, Wiseman Hall, Mershon Auditorium, and Mendenhall Laboratory will be made.

Funding: H. B. 687 (Utilities and Renovation)

Estimated Project Cost: \$225,000.00

May 7, 1976 meeting, Board of Trustees

PLANS AND SPECIFICATIONS (continued)

University Hall Mall

Project: Landscaping in the University Hall area extending the pedestrian mall on the north side of the Oval.

Funding: H. B. 687 (Utilities and Renovation)

Estimated Project Cost: \$70,000.00

MacQuigg Laboratory--Replacement of Arcade Ceiling

Project: Removal and replacement of the existing exterior plaster ceiling in the mallway area of the building, including improved suspension system installation.

Funding: B/A 126070 (Contract Repair)

Estimated Project Cost: \$38,087.00

Research Center--Roof Repair (Phase II)

Project: Repair of 22,700 sq. ft. of the deteriorated roofing at the Research Center at 1314 Kinnear Road.

Funding: B/A 126070 (Contract Repair)

Estimated Project Cost: \$52,000.00

Ernie Biggs Athletic Training Facility  
Parking Lot Renovation

Project: Blacktop parking lot and all necessary related restoration. Temporary lot built several years ago has deteriorated completely.

Funding: B/A 801326 (Biggs Athletic Facility)

Estimated Project Cost: \$45,000.00

NOW THEREFORE

BE IT RESOLVED, That the President and/or Vice President for Business and Administration be authorized to sign the plans and specifications for these projects, and if satisfactory bids are received to recommend the award of the necessary contracts in accordance with the established University procedure; and that this action be reported at a later meeting.

Upon motion of Dr. Jacob, seconded by Mr. Gushman, the Board of Trustees adopted the foregoing resolution by unanimous roll call vote.

\*

\*

\*

REPORT OF AWARD OF CONTRACTS

Resolution No. A-1976-1.1

WHEREAS the resolutions adopted by the Board of Trustees at previous meetings authorized the President and/or Secretary of the Board of Trustees to sign the plans and specifications, and for the President and/or the Vice President for Business and Administration to request bids, and recommend awards, in accordance with the established University procedure;

NOW THEREFORE

BE IT RESOLVED, That pursuant to the previous actions of the Board, various construction and renovation projects were bid, contracts recommended for award, and expenditures of project funds are being reported as follows for each project:

Electrical System Expansion and Telephone Ducts--Phase II

Date Received: March 26, 1976

No. of Bids: 6

Low Bid: \$274,633.00\*

High Bid: \$340,800.00\*

Estimate of Cost: \$519,000.00\*

Awarded to: Jess Howard Electric Co., Blacklick, Ohio

\*Recommended Alternates reflected in these figures.

Funds for this project have been provided from H. B. 687 (Utilities and Renovation).

McPherson Chemistry Laboratory and Smith Laboratory--Interior Lighting Improvements

Date Received: April 13, 1976

No. of Bids: 8

Low Bid: \$11,967.00\*

High Bid: \$26,691.00

Estimate of Cost: \$12,500.00

Awarded to: Blume and Company, Columbus, Ohio

\*What appeared to be the low bid was received from Ellis Electric and Associates of Pickerington, Ohio, in the amount of \$9,500.00. This bid was withdrawn due to the contractor making an error in the proposal bid submitted.

May 7, 1976 meeting, Board of Trustees

REPORT OF AWARD OF CONTRACTS (continued)

McPherson Chemistry Laboratory and Smith  
Laboratory--Interior Lighting Improvements (continued)

Funds for this project have been provided from Budget Account  
126070 (Contract Repair).

University Hospitals--Roof Repairs

Date Received: April 27, 1976

No. of Bids 5

Low Bid: \$25,208.00

High Bid: \$33,242.00

Estimate of Cost: \$46,730.00

Awarded to: Superior Roofing Company (General Contract),  
Columbus, Ohio

Funds for this project have been provided from Budget Account  
801319 (Roofs - University Hospital and Upham Hall).

Upon motion of Dr. Sirak, seconded by Mr. Harrod, the Board of Trustees  
adopted the foregoing resolution by unanimous roll call vote.

\* \* \*

PROPERTY

Easements

Resolution No. P-1976-1.1

WHEREAS the University has received a request from the City of Columbus  
for the following easements:

State Route 161, installation of a 24-inch water line and 30-  
inch sewer line, said 35-foot wide easement containing 1.41  
acres;

Case Road, installation of a 12-inch water main, said 20-  
foot wide easement containing 0.72 acres;

Sawmill Road, installation of a 24-inch water main, said 20-  
foot wide easement containing 1.78 acres;

NOW THEREFORE

BE IT RESOLVED, That the President or Vice President for Business  
and Administration be authorized to request the Department of Admin-  
istrative Services, Director of Public Works, pursuant to his statutory

May 7, 1976 meeting, Board of Trustees

PROPERTY (continued)

Easements (continued)

duties, to act for and on behalf of the University in developing the necessary legal instruments to provide for the easements.

Upon motion of Dr. Jacob, seconded by Mr. Hilliker, the Board of Trustees adopted the foregoing resolution by unanimous roll call vote.

\*

\*

\*

MISCELLANEOUS

McMillin Observatory Demolition

Resolution No. M-1976-1.1

WHEREAS the building known as McMillin Observatory, located at 236 West Twelfth Avenue, has not been used since 1967; and

WHEREAS the building has deteriorated beyond economical repair and this general site is needed for additional recreational facilities for South Campus Residence Hall students; and

WHEREAS all salvageable material in connection with the observatory function and building services has been previously removed; and

WHEREAS this demolition and site restoration will be accomplished in the normal University manner with bids to be received by the Purchasing Department at a cost of not to exceed \$7,000.00; and

WHEREAS funds are available in Contract Repair (Budget Account 126070);

NOW THEREFORE

BE IT RESOLVED, That the President or Vice President for Business and Administration be authorized to proceed with the demolition of McMillin Observatory.

Upon motion of Mr. Gushman, seconded by Dr. Jacob, the Board of Trustees adopted the foregoing resolution by unanimous roll call vote.

\*

\*

\*

REPORTS

Capital Improvement Projects

Resolution No. R-1976-1.1

The President called upon Mr. Thomas B. Smith to narrate a slide presentation on capital improvement projects completed and in progress.



May 7, 1976 meeting, Board of Trustees

REPORTS (continued)

Legal Services Legislation

Resolution No. R-1976-1.2

President Enarson reported that the administration had not intervened to defeat the student legal services bill presently being considered by the Ohio General Assembly. He requested that if the administration or if the Board should take a position on this legislation then he should be directed to do so. Otherwise, he would continue to take no position.

Collective Bargaining

Resolution No. R-1976-1.3

President Enarson made the following statement:

I have one more item that I feel impelled to bring up, since it hasn't come up, and I do so with some hesitation because I know there are mixed views on the subject around the table. I think it's fair to say that both the proponents and opponents of collective bargaining believe that the vote which was taken two months ago would be reconsidered when all nine members are here.

I made it as clear as I possibly can that I felt first, that collective bargaining was not appropriate for this institution; and secondly, all things considered, that the faculty should have an opportunity to have a vote on this issue. And I so recommended. Subsequently, I have had correspondence with the AAUP in which it was suggested that I had a duty to press the matter and again to present this to the Board. I have indicated to the AAUP leadership that I thought 'the ball was in their court.' While I will cooperate with the AAUP or any other faculty group, I think it is unreasonable to expect me to do their job for them. That's really all I have to say on the subject, except that there's some considerable difference between what casual observers hope happens in the event of collective bargaining and what actually happens in 'the real world.' I would urge you to follow the newspapers very carefully with respect to the bargaining process as it takes place at Kent State and Cincinnati, or possibly Rutgers.

Mr. Harrod made the following statement

I think you put it very well. We did meet. We had a motion. The motion failed and so 'the ball is in their court.' I agree with you.

Report on the University's  
Investment Portfolio

Resolution No. R-1976-1.4

The report on the University's Investment Portfolio dated May 6, 1976, as submitted to the Fiscal Affairs Committee of the Board of Trustees, was received and ordered to be filed with the official records of the Board.

May 7, 1976 meeting, Board of Trustees

ELECTION OF OFFICERS

Report from Nominating Committee

Resolution No. R-1976-1.5

The Nominating Committee (Mr. Devenow, Chairman; Mrs. James; Dr. Jacob) submitted the following slate as officers of the Board of Trustees for the year, effective May, 1976 through May, 1977 meeting:

Chairman	M. Merle Harrod
Vice Chairman	John L. Gushman
Secretary	Edward Q. Moulton
Treasurer	Ernest W. Leggett

Upon motion of Mr. Devenow, seconded by Dr. Sirak, the Board of Trustees approved the foregoing slate of officers with seven affirmative votes and Messrs. Harrod and Gushman abstaining.

Mr. Dunlap made the following statement:

Before I adjourn this meeting I would like to say just a word or two. I want to thank everyone that has put up with me for the last year--the administration, the Board, the faculty, the employees, the students, even the Lantern. I have enjoyed this year--we have had a lot of fun, we have had a lot of problems. I am sorry it is over in a way and I'm glad it is over in another way. It has been an honor to be Chairman of the Board of Trustees of what I consider, despite its pitfalls and troubles, to be the greatest University in the United States.

Mr. Harrod responded as follows:

Mrs. James and other Members of the Board: I am deeply grateful for this opportunity to serve my University. This is the greatest honor I have ever had in my life. Hopefully, I will--at least I will try, to do as well as Jack Dunlap.

\*

\*

\*

Thereupon the Board adjourned to meet Friday, June 4, 1976, at The Ohio State University Fawcett Center for Tomorrow, Columbus, Ohio, at 1:30 p. m.

Attest:

\_\_\_\_\_  
Edward Q. Moulton  
Secretary

\_\_\_\_\_  
John H. Dunlap  
Chairman

APPENDIX V

Degrees Conferred at  
THE OHIO STATE UNIVERSITY  
COMMENCEMENT CONVOCATION

June 11, 1976

Page 548 Blank

### **The Recipients of Honors**

The 1976 Joseph Sullivant Medal  
Melvin S. Newman

Professor Melvin Newman, a member of the Ohio State University faculty since 1936, is a Guggenheim fellow, a member of the National Academy of Sciences, the recipient of the American Chemical Society Award for Creative Research in Organic Chemistry, and numerous other honors. No elementary textbook in chemistry would be complete without reference to his research. Perhaps his most important achievement has been the young men and women he has taught. More than 150 students have been graduated from this University with Ph.D. and Masters degrees, under his dedicated guidance. It is an honor for The Ohio State University to present to Professor Melvin S. Newman the 1976 Joseph Sullivant Medal in recognition of his outstanding contributions to chemistry and education.

### **Honorary Degrees**

**ARTHUR S. IBERALL**

Doctor of Science

**JACOB W. SCHAEFER**

Doctor of Science

**DANIEL PATRICK MOYNIHAN**

Doctor of Laws

**FRANZ T. STONE**

Doctor of Humane Letters

---

## Graduate School

Dean: Jules B. LaPridus

### Doctor of Philosophy

One hundred seventy-seven candidates

Field of Specialization and Adviser are in Italics

Mauricio de Almeida Abreu,  
Rio de Janeiro, Brazil; Licentiate  
(Federal University of Rio de Janeiro);  
M.A.; *Geography*; Dr. Howard L. Gauthier

Yogesh Chandra Agrawal, Rajasthan, India;  
B.S. Agr. Engr. (United Provincial  
Agricultural University); M.S.;  
*Agricultural Engineering*;  
Dr. John L. Blaisdell and  
Dr. Floyd L. Herum

Ibitoye Ayotunde Akanbi, Zaria, Nigeria;  
B.A. (Ahmadu Bello University); M.B.A.  
(Syracuse University); *Business  
Administration*; Dr. John R. Grabner

Thomas Lawson Altherr, Hamburg, N. Y.;  
B.A. (State University of New York  
College at Fredonia); M.A.; *History*;  
Dr. Peter C. Hoffer

Deborah Jean Anderson, Columbus;  
B.A. (University of Minnesota); M.A.;  
*Psychology*; Dr. Jacques W. Kaswan

Joseph A. Andrezik, Detroit, Mich.;  
B.S. (Wayne State University); M.S.;  
*Anatomy*; Dr. James S. King

James Patrick Ary, Downey, Calif.;  
B.S. (Saint Mary's College); *Biophysics*;  
Dr. William R. Biersdorf

Olubodun OIarewaju Ayeni,  
IkoIe Ekiti, Nigeria; B.A. (University of  
Ibadan); M.S. (University of Lagos);  
M.S.; *Geodetic Science*;  
Dr. Sanjib K. Ghosh

Steven Curtis Ballard, Galesburg, Ill.;  
B.A. (University of Arizona); M.A.;  
*Political Science*; Dr. Philip M. Burgess

Azriel Barak, Givatayim, Israel;  
B.A., M.A. (Tel Aviv University);  
*Psychology*; Dr. Samuel H. Osipow

Michael Joseph Beatty, Bridgeton, Mo.;  
B.S. (University of Missouri);  
M.A. (Central Missouri State University);  
*Education*; Dr. George L. Lewis

Jonathan Lee Benson, Dayton;  
B.A. (Miami University); M.A.;  
*Political Science*; Dr. Philip M. Burgess

William Harry Berentsen, Columbus;  
A.B. (Dartmouth College); M.A.;  
*Geography*; Dr. George J. Demko

Robert Maurice Berg, Renner, S.D.;  
B.S. (South Dakota State College of  
Agriculture and Mechanics); M.B.A.;  
*Industrial and Systems Engineering*;  
Dr. William T. Morris

Douglas Matthew Berry, Fort Collins, Colo.;  
B.A. (Bethany College); M.A. (Colorado  
State University); *Theatre*;  
Dr. Alan L. Woods

Howard Steven Biel, University Heights;  
B.A. (Miami University); M.A.;  
*Geography*; Dr. Howard L. Gauthier

Dennis Lynn Billingsley, Columbus;  
B.S. Ed., M.A.; *Education*;  
Dr. Herman J. Peters

James John Bird, Milwaukee, Wis.;  
B.S. (Wisconsin State University); M.A.;  
*Education*; Dr. Lonnie H. Wagstaff

Lowell Dwight Black, Mt. Gay, W. Va.;  
B.A., M.A. (Marshall University);  
*History*; Dr. Allan R. Millett

Lewis Bogaty, Newark, N. J.;  
B.S. (George Washington University);  
M.A.; *English*; Dr. Arnold Shapiro

Phillip David Boger, Columbus; B.S.;  
*Geology and Mineralogy*; Dr. Gunter Faurer

Ronald Wayne Bolton, Louisville, Ky.;  
B.S., M.S.; *Microbiology*;  
Dr. Frank W. Chorpenning

John Frank Bolzan, Great Meadows, N. J.;  
A.B. (Oberlin College); *Physics*;  
Dr. William F. Palmer

David Lee Brown, Independence, Mo.;  
B.S. (University of Missouri); M.S.;  
*Physics*; Dr. K. Narahari Rao

Andrew Jackson Bush, Portsmouth;  
B.S. Ed.; *Education*; Dr. John J. Kennedy

Gary Lee Buskirk, Middletown;  
B.A. (Marshall University); M. of Educ.  
(Miami University); *Education*;  
Dr. Donald P. Anderson

Terry Franklin Buss, Columbus; B.A.,  
M.A.; *Political Science*; Dr. Stuart Thorson

Kenneth Stanley Button, Laverkin, Utah;  
B.S. (Southern Utah State College);  
M.S. (Arizona University); *Botany*;  
Dr. H. P. Hostetter

John Rickey Byrd, Newton, Ala.;  
B.S., M. Ed. (Auburn University);  
*Agricultural Education*;  
Dr. Robert W. McCormick

Priscilla Scott Cady, Columbus;  
B.S. Ed., M.A.; *History*; Dr. John C. Rule

Jessica Clay Cannon, Lexington, Ky.;  
B.A. (Michigan State University);  
M.A. (University of Kentucky);  
*Political Science*; Dr. Randall B. Ripley

Carl Robert Carnein, Chillicothe;  
B.S., M.S.; *Geology and Mineralogy*;  
Dr. George E. Moore, Jr.

William Harper Casto, Jr., North Canton;  
B.S. Ed.; M. Div. (Methodist Theological  
School); *Education*; Dr. George L. Lewis

Donald Stewart Chandler, Red Bluff, Calif.;  
B.S. (University of California at Davis);  
M.S. (University of Arizona);  
*Entomology*; Dr. Charles A. Triplehorn

Kin-Tai Chang, Kaohsiung, Taiwan;  
B.S. (Taiwan Cheng Kung University);  
M.S. (Cleveland State University);  
*Chemistry*; Dr. Harold Shechter

Nien-Yin Chang, Taipei, Taiwan;  
B.S. (Taiwan Provincial Chung-Hsing  
University); M.S. Eng. (National Taiwan  
University); *Civil Engineering*;  
Dr. Tien H. Wu

Richard Alan Conway,  
Toronto, Ont., Canada;  
B.A. (Knox College); M.A.; *Political  
Science*; Dr. Philip M. Burgess

Ernest Allen Crider, Columbus;  
B.A., M.A. (University of Washington);  
*History*; Dr. Donald B. Cooper

Robert Arthur Dean, Fairborn;  
B.S. in Met. E. (University of Cincinnati);  
M.B.A.; *Business Administration*;  
Dr. Charles B. Hicks

Roy Thomas Denton, Greenville, S. C.;  
B.S., M.S.S.W. (University of Tennessee);  
*Social Work*; Dr. Richard R. Medhurst

Stephen Jay Derksen, Stone Mountain, Ga.;  
B.S. (University of Alabama); M.S.;  
*Geology and Mineralogy*;  
Dr. Richard P. Goldthwait

Donald Grant Devine,  
Saskatchewan, Alta, Canada;  
B.S.A. (University of Saskatchewan);  
M.B.A., M.Sc. (University of Alberta);  
*Agricultural Economics and Rural  
Sociology*; Dr. Bruce W. Marion

Vivian Irene Dicks, Detroit, Mich.;  
A.B. (Wayne State University); M.A.;  
*Communication*; Dr. James L. Golden

William Anthony Donohue, Key West, Fla.;  
B.S. Ed. (Bowling Green State University);  
M.A.; *Communication*; Dr. Donald J. Cegala

Robert Vincent Dorman, Canton;  
B.S. (Villanova University); *Physiological  
Chemistry*; Dr. Lloyd A. Horrocks

James Marshall Dowdy, Columbus;  
A.B. (Berea College); M.S.; *Geography*;  
Dr. Henry L. Hunker

Dennis Mark Eshbaugh, Dayton; B.A.;  
M.A.; *Education*; Dr. Donald J. Tosi

Edward Harold Fairchild, Medway;  
B.S. (Wright State University); M.S.;  
*Pharmacy*; Dr. Raymond W. Doskotch

Maria das Gracas Furtado Feldens,  
Espirito Santo, Brazil;  
Licentiate (Universidade Federal do  
Espirito Santo); M.A.; *Education*  
Dr. James K. Duncan

Katherine Marie Fiechtl, Quincy, Ill.;  
B.A. (Quincy College); M.A.; *Psychology*;  
Dr. Barbara Edmonson

Muriel Mackett Frank, Columbus;  
B.Mus. (Syracuse University);  
Ed.M. (State University of New York  
at Buffalo); *Education*;  
Dr. Donald P. Sanders

David Malcolm Galton, Nunda, N. Y.;  
B.S. Agr., M.S.; *Dairy Science*;  
Dr. W. R. Gomes and Dr. Harry L. Barr

- Ronald Lewis Gambardella, Columbus; B.S. (Quinnipiac College); M.S. (Long Island University); *Pathology*; Dr. Keith E. Richardson
- Kenneth Jay Gerhardt, Mt. Gilead; B.S.Ed.; M.A.; *Communication*; Dr. William Melnick
- Marion Frances Gillis, Plainfield, N. J.; B.A. (Newark State College); M.A.; *Education*; Dr. Martha L. King
- Anthony Francis Ginter, Westerville; B.A. (University of Toronto); M.Mus.Ed. (Indiana University); *Music*; Dr. Herbert Livingston
- Gerard Edward Glassmeyer, Columbus; B.S., B.S. in Edu. (University of Dayton); M.Ed. (University of Cincinnati); *Education*; Dr. James K. Duncan
- Bruce Robert Glick, Columbus; B.A. (University of California); M.A.; *Psychology*; Dr. Harold B. Pepinsky and Dr. Steven J. Gross
- Elsa Gomez Gomez, Calla, Bogota, Colombia; Licenciado en Sociologia (National University of Colombia); M.A.; *Sociology*; Dr. William Petersen
- Sally Margaret Gravelly, Brooklyn, N. Y.; B.S. (Bluefield State College); M.S.; *Microbiology*; Dr. Julius P. Kreier
- Neil Greenberg, Beachwood; B.S. (McGill University, Canada); *Physiological Chemistry*; Dr. Thomas E. Webb
- Ramlal Prasad Gupta, Columbus; B.V.Sc. and A.H. (Agra University, India); M.S. (Tuskegee Institute); *Animal Science*; Dr. George R. Wilson and Dr. Robert L. Hamlin
- David Francis Hall, Columbus; B.A. (Reed College); M.A.; *Psychology*; Dr. Thomas M. Ostrom
- Clinton Kay Harrington, Sutton, N. D.; B.S. (North Dakota State University); *Chemistry*; Dr. Paul G. Gassman
- Kevin John Hartigan, Buffalo, N. Y.; B.A. (Le Moyne College); M.A.; *Psychology*; Dr. Don M. Dell and Dr. Lyle D. Schmidt
- William Bernie Heath, Jr., Hamilton; B.S., M.S. (Miami University); *Physics*; Dr. K. Narahari Rao
- R. Alan Hedges, Canton; B.A. (Culver-Stockton College); M.A. (University of Washington); *Theatre*; Dr. Donald R. Glancy
- Barbara Henley, Chicago, Ill.; A.B. (University of Illinois); M.A.; *Education*; Dr. Donald J. Tosi
- Gary Joseph Hennessey, Seekonk, Mass.; B.A. (Rhode Island College); M.A.; *Education*; Dr. Robert Sutton
- Eugene Paul Hern, Columbus; B.S.; *Biochemistry*; Dr. George S. Serif
- Arnold Ray Highfield, New Boston; B.A., M.A.; *Romance Languages and Literatures*; Dr. Hans E. Keller
- Robert Henry Hoellein, Jr., New Matamoras; B. S. (Juniata College); M.S. (West Virginia University); *Education*; Dr. John O. Cooper
- Susan Robinson Howell, Dillsboro, Ind.; B.A. (Anderson College); M.A.; *Political Science*; Dr. John H. Kessel
- Shyuan Huang, Taipei, Taiwan; B.S. (National Taiwan University); *Chemistry*; Dr. Robert M. Mayer
- °Douglas Neil Husak, Westlake; B.A. (Denison University); M.A.; *Philosophy*; Dr. James P. Scanlan
- Catherine Louise Imhoff, Rittman; B.S. (Baldwin-Wallace College); M.S.; *Astronomy*; Dr. Philip C. Keenan
- Michael Benoy Jackson, Columbus; B.S.Ed. (Langston University); M.A.; *Psychology*; Dr. Henry Leland
- Thomas Edison James, Jr., Columbus; B.A. (University of South Florida); M.A.; *Political Science*; Dr. Philip M. Burgess
- Roland Earl Jenkins, Buffalo, N. Y.; B.S.A. (University of Georgia); M.S. (University of Vermont); *Horticulture*; Dr. Wilbur A. Gould
- Richard F. Kamen, Brooklyn, N. Y.; B.S., M.S. (Brooklyn College); *Physical Education*; Dr. Seymour Kleinman
- Donald Eugene Ker, New Concord; B.S. (State Teachers College of Pennsylvania); M.A. (Middlebury College); *Romance Languages and Literatures*; Dr. Hans E. Keller
- Chong Woong Kim, Seoul, Korea; B.A. (Yonsei University); M.B.A. (Miami University); *Business Administration*; Dr. James P. McNaul
- Tong Kee Kim, Mokpo, Korea; B.Pharm. (Sung Kyun Kwan University); M.S.; *Poultry Science*; Dr. John R. Chiple
- Alan Peter Kimmel, Columbus; A.B. (Oberlin College); M.A.; *History*; Dr. R. Clayton Roberts
- Arthur Eaton King, Cincinnati; A.B. (Middlebury College); M.A.; *Economics*; Dr. Josef C. Brada
- William G. Kramer, Columbus; B.S.Pharm. (University of Pittsburgh); *Pharmacy*; Dr. Richard H. Reuning
- Helmut John Kremling, Parma; B.S.S.S. (John Carroll University); M.A. (Case Western Reserve University); *German*; Dr. David H. Miles
- Jeffrey Roland Kretzberg, Columbus; B.S.All'd.Hlth.Prof., M.S.; *Anatomy*; Dr. David L. Clark
- Steven David Kriska, Parma Heights; B.S.Ed., M.A.; *Psychology*; Dr. Paul D. Isaac
- Victoria Mattis Krueger, Cincinnati; B.A., M.A.; *Psychology*; Dr. Saul M. Siegel
- Samuel Neil Ladrach, Washington C. H.; B.S., M.A.; *Psychology*; Dr. Delos D. Wickens
- Richard Mark Lell, Massillon; B.S. (University of Detroit); M.S.; *Nuclear Engineering*; Dr. Robert F. Redmond
- George Richard Lesmes, Bayside, N. Y.; B.A., M.S.Ed. (Queens College); *Physical Education*; Dr. Edward L. Fox
- Wan-tzu Liao, Taipei, Taiwan; B.S.Pharm. (National Taiwan University); *Pharmacy*; Dr. Jack L. Beat
- Gary Edgar Lintereur, Minneapolis, Minn.; B.S., M.S. (University of Wisconsin); *Education*; Dr. Donald G. Luz
- Robert Stephen Lishak, Perth Amboy, N. J.; B.A. (Seton Hall University); *Zoology*; Dr. Donald J. Borror
- Frederick Earl Livesay, Pickerington; B.S.Agr., M.S.; *Animal Science*; Dr. Charles F. Parker
- Terry Dennis Lundgren, Normal, Ill.; B.S. (Illinois State Normal University); M.A.; *Sociology*; Dr. Kent P. Schwirian
- Tai-il Mah, Seoul, Korea; B.S. (Han-Yang University); M.S. (University of Utah); *Ceramic Engineering*; Dr. William B. Shook
- Mohamed Ibrahim Mahmoud, Columbus; B.Sc. (Cairo University, Egypt); M.S.; *Horticulture*; Dr. Wilbur A. Gould
- Ronald Joseph Marhefka, Columbus; B.S.E.E. (Ohio University); M.S.; *Electrical Engineering*; Dr. Roger C. Rudduck
- Marian Colonna Marion, Greeley, Colo.; B.S.Ed. (University of Delaware); M.S. (University of Missouri); *Home Economics*; Jean D. Dickerscheid
- Frank Leon Martin, Worthington; B.A. (Ohio Wesleyan University); M.A.; *Physical Education*; Dr. Edward L. Fox
- Thomas Clinton Mashinney, Columbus; B.A., M.S. (University of South Florida); *Business Administration*; Dr. Orlando C. Behling
- Jerrie LaVaughn Bascome McGill, Yellow Springs; B.S.Ed. (Miami University); M.A. (Michigan State University); *Education*; Dr. Jack R. Frymier
- Kenneth Harlan McGuire, Mason; B.S.Agr., M.S., M.A.; *Anthropology*; Dr. Erika Bourguignon
- Margo Voltz Mellick, Canton; B.A. (Maline College); M.A.; *Theatre*; Dr. Roy H. Bowen and Dr. Alan L. Woods
- Linda Goodrich Miller, Columbus; B.S.Ed., M.A.; *Education*; Dr. Donald R. Bateman

\* Also Juris Doctor, College of Law

Raymond Allen Miller, Ostrander;  
B.S.Agr., M.S.; *Agricultural Education*;  
Dr. Ralph E. Bender

Thomas William Miller, Cleveland Heights;  
B.S.E.E. (Carnegie-Mellon University);  
M.S.; *Electrical Engineering*;  
Dr. Aharon A. Ksienski

Howard David Mohan, Kent;  
B.S.Ed. (California State College,  
Pennsylvania); M.Ed. (University of  
Maryland); *Education*; Dr. Donald G. Lux

Joseph Michel Montes, National City, Calif.;  
A.B. (University of Redlands); M.A.;  
*Psychology*; Dr. George G. Thompson

Isaac James Mowoe, Warri, Nigeria;  
B.G.S., M.A. (Ohio University); *Political  
Science*; Dr. R. William Little

Sead Muftic, Sarajevo, Yugoslavia;  
Diploma (University of Sarajevo); M.S.;  
*Computer and Information Science*;  
Dr. Ming T. Liu

Malcolm Muir, Jr., Cochran, Ga.;  
B.S. (Emory University);  
M.A. (Florida State University);  
*History*; Dr. Altan R. Millett

Rohini Desai Mulchandani,  
Jamshedpur, India;  
B.Sc. (University of Bombay);  
M.S. (Michigan State University);  
*Food Science and Nutrition*;  
Dr. W. James Harper

Clayton Robert Myers, Worthington;  
B.S. (Springfield College);  
M.A. (New York University); *Education*;  
Dr. William D. Dowling

C. Michael Niman, Columbus;  
B.A. (Wesleyan University); M.A.;  
*Psychology*; Dr. Saul M. Siegel

Alison Davis O'Brien, Sutter, Calif.;  
B.A. (University of California);  
*Medical Microbiology*;  
Dr. Frank A. Kapral

Gabriel Ojeda, Bogota, Colombia;  
B.S. (National University, Colombia);  
M.S. (University of Missouri);  
*Agricultural Education*;  
Dr. Clarence J. Cunningham

Nelliyanak A. Padmarajan, Madras, India;  
B.Com. (University of Madras);  
M.A. (Banaras Hindu University);  
M.B.A. (Bowling Green State University);  
*Business Administration*;  
Dr. Wilbur A. Rapp

James Paul Perry, Springfield;  
B.A. (University of Dayton);  
M.S.W. (Indiana University); *Social  
Work*; Dr. Milton S. Roemer

Cari James Phagan, Columbus;  
B.S. (Oklahoma State University);  
M.S. (Ablene Christian College); M.A.;  
*Anthropology*; Dr. William M. Sumner

Phyllis Lindenberger Pirie, North Canton;  
B.A., M.A. (Case Western Reserve  
University); *Anthropology*;  
Dr. Frank E. Poirier

Helen Frances Ptak, Middletown;  
B.S., M.A. (Teachers College, Columbia  
University); M.S.; *Preventive Medicine*;  
Dr. Richard R. Lanese

Beatrice Amzibel Quaranta, Columbus;  
B.S.H.E., M.A.; *Home Economics*;  
Dr. Claribel M. Taylor

Dorothy Lavern Rainey, Ocilla, Ga.;  
B.S. (Albany State College); M.A.;  
*Education*; Dr. James K. Duncan

Balakrishna Rao, Mysore, India;  
B.Sc. (University of Mysore);  
M.Sc. (University of Bombay);  
M.S. (University of North Carolina);  
*Plant Pathology*; Dr. A. F. Schmitthenner  
and Dr. C. Wayne Ellett

Jack Eric Reidl, Preston, Ont., Canada;  
B.A., M.A. (University of Toronto);  
*German*; Dr. Hugo Bekker

John McCune Rice, Columbus; B.S., M.S.;  
*Microbiology*; Dr. David A. Wolf

Eugene Leo Rissanen, Westerville;  
B.Sc. (University of Mysore);  
M.S. (Columbia University); *Electrical  
Engineering*; Dr. Kenneth J. Breeding

Donald P. Rizzetta, Berwyn, Ill.;  
B.S. (Western Michigan University);  
B.S. (Purdue University); *Aeronautical  
and Astronautical Engineering*;  
Dr. Oduas K. Burggraf

Carmen Fideline Rodriguez,  
Rio Piedras, Puerto Rico;  
B.S., M.S.W. (University of Puerto Rico);  
*Social Work*; Dr. Leonard Schneiderman

Thomas Rutledge Rosebrough, Mt. Vernon;  
B.A., M.A.; *Education*;  
Dr. Alexander Frazier

Harry Rozmiarek, Columbus;  
B.S., D.V.M. (University of Minnesota);  
M.S.; *Microbiology*;  
Dr. Frank W. Chorprenning

Thomas F. Ryan, Columbus;  
B.A. (Iona College); M.A.; *Psychology*;  
Dr. Lyle D. Schmidt

Linda Jean Saif, Wooster;  
B.A. (College of Wooster); M.S.;  
*Microbiology*; Dr. Edward H. Bohl and  
Dr. Bruce S. Zwilling

John Louis Saladini, Columbus;  
A.B. (West Virginia University);  
M.S. (University of Florida); *Plant  
Pathology*; Dr. Philip O. Larsen and  
Dr. A. F. Schmitthenner

Mark Schachter, Brooklyn, N. Y.;  
B.S. (Brooklyn College); M.A.;  
*Psychology*; Dr. Henry Leland

Wayne Paul Schammel, Lincoln, Neb.;  
B.S. (University of Nebraska); *Chemistry*;  
Dr. Daryl H. Busch

Julia Schulten Schutte, Jacksonville, Fla.;  
B.S. (Jacksonville University); *Botany*;  
Dr. Emanuel D. Rudolph

Kathryn Carlisle Schwartz, Columbus;  
A.B. (Bard College); M.A.; *English*;  
Dr. Edward P. J. Corbett

Regina Curtis Scoles, Columbus;  
B.S.Lang. (Georgetown University); M.A.;  
*Slavic Languages and Literatures*;  
Dr. Mateja Matejic

Stephen Robert Shatynski, Syracuse, N. Y.;  
B.S. (Bowling Green State University);  
M.S. (Syracuse University); *Metallurgical  
Engineering*; Dr. John P. Hirth

Ned Lance Shreffler, Columbus;  
B.A. (College of Wooster); M.A.;  
*Education*; Dr. Joseph J. Quaranta

Richard Allen Smucker, Columbus;  
B.S.Ed. (Goshen College); M.S.;  
*Microbiology*; Dr. Robert M. Pfister

Shirley Thompson Sostrom, Columbus;  
B.A. (North Illinois University);  
M.A. (Central State University);  
*Education*; Dr. Donald B. Bateman

Sargur N. Srihari, Bangalore, India;  
B.Sc. (Bangalore University);  
B.E. (Indian Institute of Science); M.S.;  
*Computer and Information Science*;  
Dr. Lee J. White

Donald John Steele, Saginaw, Mich.;  
B.S., M.A. (Central Michigan University);  
*Education*; Dr. Roy A. Larmee

Robert Lawrence Strausberg,  
Princeton, N. J.;  
B.S.; *Developmental Biology*;  
Dr. Philip S. Perlman

Edmund Stump, Columbus;  
A.B. (Harvard University); *Geology and  
Mineralogy*; Dr. Charles E. Corbató

Steven Michael Sundre, Duluth, Minn.;  
B.A., M.A. (University of Minnesota);  
*Education*; Dr. William Moore, Jr.

Ronald George Tabak, Struthers;  
B.S. (Youngstown State University);  
M.S. (University of Washington);  
*Astronomy*; Dr. Stanley J. Czyzak

Davis Lew Taggart, Tulsa, Okla.;  
B.A. (Westminster College); *Chemistry*;  
Dr. Larry B. Anderson

Juliet Kathleen Taylor, Worthington;  
B.S.Com.Wel., M.A.; *Psychology*;  
Dr. Milton D. Hakef

Lonnie Gene Thompson, Gassaway, W. Va.;  
B.S. (Marshall University); M.S.; *Geology  
and Mineralogy*; Dr. Colin B. Bull

Ming-Jer Tsai, Tainan, Taiwan;  
B.S. (National Chiao-Tung University);  
M.S. (University of Cincinnati); *Electrical  
Engineering*; Dr. Robert E. McGhee and  
Dr. Russell L. Pimmet

James Joseph Tuzzeo, Columbus;  
B.S. (Alfred University);  
M.S. (University of Missouri); *Ceramic  
Engineering*; Dr. William B. Shook

Paul Ray Vaughn, Bloomfield, N. M.;  
B.S.Agr., M.S. (New Mexico State  
University); *Agricultural Education*;  
Dr. Ralph E. Bender

Mary Louise Wagener,  
West Springfield, Mass.;  
B.A. (Marymount College); M.A.;  
*History*; Dr. Carole R. Rogel



Joel Milton Weaver, II, Columbus;  
 B.S.Pharm. (Ohio Northern University);  
 D.D.S.; *Pharmacology*;  
*Dr. Robert W. Gardier*

Alice Landt Weicher, Chicago, Ill.;  
 B.A. (Purdue University);  
 M.A. (Vanderbilt University); *Economics*;  
*Dr. William G. Dewald*

Anne Margaret Werdmann, Westerville;  
 B.S.Ed. (Marian College);  
 M.Ed. (Xavier University); *Education*;  
*Dr. Alexander Frazier*

Gary Carter White, Orono, Me.;  
 B.S. (Iowa State University);  
 M.S. (University of Maine); *Zoology*;  
*Dr. Theodore A. Bookhout*

Thomas E. Williams, West Memphis, Ark.;  
 B.A., M.A. (University of Mississippi);  
*History*; *Dr. Robert H. Bremner*

Angene Hopkins Wilson, Worthington;  
 B.A. (College of Wooster);  
 M.A. (Michigan State University);  
*Education*; *Dr. Robert E. Jewett*

Joel Robert Wish, Columbus;  
 B.A. (Alfred University); M.A.;  
*Psychology*; *Dr. Barbara A. Edmonson*

Donald James Witt, Oak Lawn, Ill.;  
 B.S. (Loyola University); M.S.;  
*Entomology*; *Dr. Gordon R. Stairs*

Joan Silverman Wolf, Columbus;  
 B.S. (University of Utah); M.A.;  
*Education*; *Dr. Thomas M. Stephens*

Sumpun Wongnawa, Thamai, Thailand;  
 B.S. (Michigan Technological University);  
 M.S.; *Chemistry*; *Dr. Eugene P. Schram*

Sandra Kay Woodruff, Albany;  
 B.S.Ed., M.A.; *Communication*;  
*Dr. Robert W. Wagner*

Joseph Eugene Wright, Columbus;  
 B.A., M.A.; *Sociology*;  
*Dr. Enrico L. Quarantelli*

Julia Ann Wright, Columbus;  
 B.S.Ed. (Miami University);  
 M.A. (Indiana State University);  
*Education*; *Dr. Charles B. Huelsman, Jr.*

Virginia Lee Wylie, Columbus;  
 B.Sc. in Edu. (Morris Harvey College);  
 M.A. (Marshall University); *Education*;  
*Dr. W. Frederick Staub*

Edward Carl Yasuna, Columbus;  
 A.B. (Columbia University);  
 A.M. (University of Michigan); *English*;  
*Dr. Ernest Lockridge*

James Yung Shao Yeh, Taipei, Taiwan;  
 B.S.E. (Taiwan Cheng Kung University);  
 M.S.; *Electrical Engineering*;  
*Dr. Kenneth J. Breeding*

John David Young, Columbus; B.S.;  
*Pharmacology*; *Dr. Daniel Couri*

---

**Certificate of Specialist in  
Latin American Studies**

One candidate

Phoebe Lynne Golke, Fairview Park;  
B.S.Ed., M.A.

**Certificate of Specialist in  
Russian Area Studies**

One candidate

Michael S. Shylanski, St. Louis, Mo.;  
B.A. (Saint Louis University); M.A.

**Certificate of Specialist in  
Translation from the Russian Social Sciences**

One candidate

Amiella Gudes, Tel Aviv, Israel;  
B.A. (Tel Aviv University)

---

**Master of Accounting**

Five candidates

(Field of Specialization is in italics)

Frank Carl Barkan, Havertown, Pa.;  
B.A. (Temple University); *Accounting*

Barry Lee Chapman, Cleveland;  
B.B.A. (Cleveland State University);  
*Accounting*

Charles Samuel Miller, Jr., Columbus;  
B.S.Bus.Ad. (Oakwood College);  
*Accounting*

Gary Lee Mintz, Beachwood;  
B.B.A. (University of Toledo); *Accounting*

David Lee Virginia, Euclid;  
B.S.Bus.Ad., M.B.A.; *Accounting*

**Master of Architecture**

Eight candidates

(Field of Specialization is in italics)

Harry Bradford Green,  
Thunderbay, Ont., Canada;  
Arch.Tech. (Ryerson Polytech);  
B.Arch.; *Architecture*

Jay Wildrick Hart, Bradford, Pa.;  
B.Arch. (Pennsylvania State University);  
*Architecture*

Salauddin Ghani Khan, Karachi, Pakistan;  
B.Arch. (University of Oregon);  
*Architecture*

Robert David Loversidge, Jr., Columbus;  
B.S.Arch.; *Architecture*

Robert John Maus, Huron;  
B.A.; *Architecture*

Robert John Nienaber, Cincinnati;  
B.S.Arch. (University of Illinois);  
*Architecture*

Yaw Oteng-Agipong, Kumasi, Ghana;  
B.F.A. (University of New Mexico);  
*Architecture*

Donald Fred Sopranzi, Newark, N. J.;  
B.S.Arch. (Kent State University);  
*Architecture*

**Master of Arts**

Three hundred and twenty-seven candidates

(Field of Specialization is in italics)

John Curtis Adams, Indianapolis, Ind.;  
B.A. (Indiana Central College);  
*Public Administration*

Kuiweon Ahn, Seoul, Korea;  
B.A. (Sogang University); *Romance  
Languages and Literatures*

Nancy Ann Aiello, Alliance;  
B.S.Ed. (Bowling Green State University);  
*Education*

Sandra Lynn Altizer, Columbus;  
B.S.Ed. (Miami University); *Education*

Doris Jeanne Clark Anderson, Gahanna;  
B.S.Jour. (Marquette University);  
*Public Administration*

Robert Clyde Angell, Pataskala;  
B.Mus.; *Music*

Pamela Sue Argus, Columbus;  
B.A., M.S.W.; *Public Administration*

Christine Armstrong, Cincinnati;  
B.S.Ed., B.A. (University of Arizona);  
*Education*

Susan Davis Arnooczky, Amherst;  
B.S.; *Education*

Enid Astin, Poulton-Le-Fylde,  
Lanes, England;  
Teacher's Cert. (University of Manchester);  
*Physical Education*

Stanley Gerard Augnst, State College, Pa.;  
B.A. (Pennsylvania State University);  
*East Asian Languages and Literatures*

Samuel Donald Ayers, Jr., Chicago, Ill.;  
B.S.Bus.Ad. (Franklin University);  
*Black Studies*

Felix Felice Azzola, Pradalunga, Italy;  
B.A. (Ohio Dominican College); M.A.;  
*Education*

Michael John Balkus, Cuyahoga Falls;  
B.A. (University of Akron);  
*Romance Languages and Literatures*

Marie Kristine Ballinger, Columbus;  
B.S.Ed.; *Education*

Mary Kathleen Ballinger, Columbus;  
B.S.Ed.; *Education*

Stephanie Bart, Cincinnati;  
B.A.; *Photography and Cinema*

Dale Thomas Baughman, Columbus;  
B.S.Ed.; *Physical Education*

Donald Charles Baumer, Columbus;  
B.A. (Ohio University); *Political Science*

Michael Harry Baumgardner, Bexley;  
B.S.; *Psychology*

Terri Darlene Bell, Freedom, Pa.;  
B.S. (Hampton Institute); *Education*

John Bernard Bennett, III, Cambridge;  
B.S. (Muskingum College);  
*Physical Education*

Debra Lynn Bernstein, Chicago, Ill.;  
B.F.A.; *Dance*

Neil Bernstein, New York, N. Y.;  
B.A. (New York University); *Journalism*

Amy Dayle Bertelson,  
Missouri Valley, Iowa;  
B.S. (Nebraska Wesleyan University);  
*Psychology*

Thomas W. Bickerton, Youngstown;  
B.A.; *Slavic Languages and Literatures*

Lenn Ann Biddle, Grove City;  
B.S.Ed. (Otterbein College); *Education*

Stephen Harry Bilikam, Sunbury;  
B.A. (Otterbein College);  
*Physical Education*

Thomas Purcell Bilodeau, Columbus;  
B.A. (University of New Hampshire);  
*Philosophy*

Karen Stephanie Bitton, Columbus;  
B.S.Ed. (University of Cincinnati);  
*Education*

Barbara Jean Bodem, Indianapolis, Ind.;  
B.A. (Purdue University);  
*Physical Education*

Charlotte Elaine Boomer, Portsmouth, Va.;  
B.S. (Norfolk State College); *Education*

Norman Francis Bower, Williamsport, Ind.;  
A.B. (University of Notre Dame);  
*Journalism*

Betty Lunden Bowman, Pasadena, Calif.;  
B.A. (University of Redlands); *Education*

Barbara Dean Brewer, Columbus;  
B.A. (Marietta College); *Education*

Edith Neff Briscoe, Columbus;  
B.A.; *Education*

Eloise Wright Brockman, Westerville;  
B.S.Ed.; *Education*

Gloria Ruth Brown, Cleveland;  
B.A. (Fisk University); *Education*

Richard Brown, Chillicothe;  
B.A. (Anderson College); M.S.W.  
*Public Administration*

Annabelle C. Burggraf, Cardington;  
B.S.Ed.; *Communication*

Jerry Raymond Burns, Columbus;  
B.S.Ed.; *Music*

Rebecca Rogge Burns, Columbus;  
B.S.Ed.; *Music*

James Scott Cahall, Russellville;  
B.S.Ed. *Education*

- Sharon Yvonne Calhoun, Columbus; B.S.Ed. (Central State University); *Education*
- Jacqueline Juanita Callahan, Springfield; B.F.A.; *Black Studies*
- Ilene Myra Cameron, Westerville; B.S. (Mercy College of Detroit); *Education*
- Linda Kay Carlson, Reynoldsburg; B.S.Ed.; *Education*
- John Patrick Carter, Iliion, N. Y.; B.A. (Colgate University); *Education*
- James Vincent Cellini, III, Utica, N. Y.; B.A. (Syracuse University); *Psychology*
- Daniel Edward Chall, Flushing, N. Y.; B.S. (State University of New York at Albany); *Economics*
- Ching-hsi Chang, Taipei, Taiwan; B.A. (National Taiwan University); *Economics*
- Donna Chau, Pittsburgh, Pa.; B.A. (University of Pittsburgh); *East Asian Languages and Literatures*
- Sandra Kay Childress, Vinita, Okla.; B.S. (Oklahoma State University); *Education*
- Ty Edward Clarke, Uhrichsville; B.S. (Muskingum College); *Physical Education*
- Joann Zallen Cleckner, New York, N. Y.; B.S.Ed.; *Public Administration*
- Mary Ann Clement, Cleveland; B.S.Ed.; *Education*
- Cea Hatem Cohen, Columbus; B.A. (Otterbein College); *Education*
- Wayne Scott Colvin, Melrose, Mass.; B.A. (Ohio Wesleyan University); *Education*
- William James Cook, Clark, N. J.; B.A. (Dickinson College); *Classics*
- Anne Therese Crawford, Newark; B.S.Bus.Adm.; *Business Administration*
- Molly Ann Cressor, Columbus; B.S.Ed.; *Education*
- Robert Emmett Daley, Dayton; B.A. (University of Dayton); M.A. *Public Administration*
- Linda Rothermich Daly, Columbus; B.A. (Marquette University); *Journalism*
- Denis Joseph D'Avello, Akron; B.A. (University of Akron); *Psychology*
- Judith Borchert Davis, Milwaukee, Wis. B.S. Ed. (Miami University); *Education*
- Phyllis Van Dam De Vries, Hudsonville, Mich.; A.B.Ed. (Calvin College); *Education*
- \*Norbert Mark Doellman, Jr., Fairfield; B.A. (Notre Dame); *History*
- Rosalyn Mary Dorsey, Columbus; B.A. (Wittenberg University); *Education*
- Anne Marie Driscoll, Batavia, N. Y.; B.S.Ed. (State University of New York College at Buffalo); *Physical Education*
- Judith D. Duckworth, Columbus; B.S.Ed.; *Education*
- Alice McKenney Ducoffe, Atlanta, Ga.; B.F.A. (University of Georgia); *Art Education*
- Patricia Sue Durben, Salem, Ore.; B.A. (University of Oregon); *English*
- Sharon LaVerne Dyson, Washington, D. C.; B.A. (Ohio Wesleyan University); *Education*
- Clifford George Eckstrand, Springfield; B.A. (Wittenberg University); *Public Administration*
- Lester Julian Efrid, Tampa, Fla.; B.A., M.A. (University of South Florida); *Political Science*
- Gloria Ann Elliott, Columbus; B.S.Ed.; *Education*
- Keith Ewald, Akron, N. Y.; B.A. (State University of New York College at Buffalo); *Sociology*
- Patricia Skiba Fehribach, Columbus; B.S.Ed. (Wayne State University); *Education*
- Dennis Eugene Ferrell, Columbus; B.S.Ed. (Otterbein College); *Education*
- Robert Newill Finney, Toronto, Ont., Canada; B.A.; *Political Science*
- Diana Lynn Flannery, Dayton; B.S.Ed.; *Education*
- Wanema Carolyn Flasher, Ravenna; B.S. (Kent State University); *Journalism*
- Sherry Mae Fleming, Jackson, Miss.; B.S.Ed. (Jackson State University); *Education*
- D. Alice Flowers, Columbus; B.S.Ed. (Central State University); *Education*
- Gerald Hendrick Foeman, II, Philadelphia, Pa.; B.A. (Lincoln University); *Sociology*
- Walter Junior Friend, Newark; B.Sacred Lit. (Cincinnati Bible Seminary); *Education*
- Nancy Jean Frohlich, Cleveland; B.S.Ed.; *Education*
- James Edward Gabriel, Columbus; B.C.E.; *Public Administration*
- Anne Maxwell Gallacher, Hamilton; B.A. (Boston College); *Communication*
- Dewey Arthur Garner, Worthington; B.S.Bus.Adm., B.S.Ed.; *Communication*
- Nancy J. Geisler, Dayton; B.S. (Bowling Green State University); *Education*
- \*James Matthew Giffin, Cuyahoga Falls; B.A. (Denison University); *Political Science*
- Vivian Sue Givens, Louisville; B.S.Ed.; *Physical Education*
- Carl Michael Goebbel, II, Columbus; B.S.Ed. (Ohio University); *Education*
- Jacqueline Goldich, Youngstown; B.S.Ed. (Kent State University); *Communication*
- Frederick Knight Goodman, Columbus; B.S.; *Linguistics*
- Jerry Dale Gorby, Caledonia; B.S.Ed. (Ohio Northern University); *Education*
- Patricia Scopellite Greco, Columbus; B.S. (Bowling Green State University); *Education*
- Georgia Patton Griffin, Columbus; B.S.H.S. (Ohio University); *Communication*
- Jeanne Cooksey Grothaus, Utica; B.S.Ed.; *Education*
- Paul Groves, Malaga; B.A.; *Public Administration*
- Bart Christopher Gutekunst, Rochester, N. Y. B.A. (College of the Holy Cross); M.B.A.; *Business Administration*
- James Howard Haeuptle, Columbus; B.S. (University of Dayton); *Public Administration*
- Dean Hahnenberg, Clawson, Mich.; B.A. (Marquette University); *Journalism*
- Lois Greenleaf Halsted, Worthington; B.A. (Michigan State University); *Education*
- John Scott Hammond, Granville; B.S.Ed.; *Physical Education*
- James Roger Hansen, Yoder, Ind.; B.A. (Indiana University); *History*
- Andrew Haines Hawkins, Damascus, Md.; B.S. (Slippery Rock State College); *Physical Education*
- Donna Heidler Hawley, Avon Lake; B.S.Ed. (Bowling Green State University); *Romanic Languages and Literatures*
- Dennis John Haynes, Fremont; B.Ed. (Toledo University); *Education*
- Terry Scott Haywood, Clarksville, Tenn.; B.A. (Austin Peay State College); M.A. (Tennessee State University); *Black Studies*
- Thane Custer Hecox, Grove City; B.S. (Marietta College); *Education*
- Kathryn Doolan Hoyt, Columbus; B.S.Ed.; *Communication*
- Nancy Pauline McCoy Hull, Fredericktown; B.S.Ed. (Ashland College); *Education*
- Lawrence Jagunic, Westerville; B.B.A. (Kent State University); *Education*
- \*Mark John Jahnke, Cincinnati; *Political Science*
- Ernest James, Jr., Cleveland; B.A. (Kent State University); *Psychology*

\* Also Juris Doctor, College of Law  
\* Also Bachelor of Arts,  
\* Colleges of the Arts and Sciences

- Jeffrey Lynn James, Canton;  
B.A. (University of Akron);  
*Romance Languages and Literatures*
- Kenneth Arthur Jones, Upper Darby, Pa.;  
B.S. (Pennsylvania State University);  
*Art Education*
- Mary Elizabeth Jones, Columbus;  
B.S.Ed. (Kent State University); *English*
- Paulette Joyce Jones, Norfolk, Va.;  
B.A. (University of Virginia);  
*Romance Languages and Literatures*
- Thomas Cornelius Jones,  
Newport News, Va.;  
B.A. (Hampton Institute); *Journalism*
- Rebekah Lee Jorgensen, Columbus;  
B.A.; *Communication*
- Steven Kahn, Queens, N. Y.;  
B.A. (State University of North Dakota at  
Stony Brook); *Psychology*
- Jeffrey Charles Keller, Prospect;  
B.Mus.Ed.; *Music*
- June Maynard Keller, Bismarck, N. D.;  
B.S.Ed. (University of North Dakota);  
A.A. (Bismarck Junior College);  
*Physical Education*
- Nancy Cooper Kelsik, Columbus;  
B.A.; *Philosophy*
- Richard Wilmot Kershaw, Pontiac, Mich.;  
B.A. (Michigan State University);  
*Psychology*
- Alan Harvey Kianoff, Niagara Falls, N. Y.;  
B.A. (Hofstra University); *Journalism*
- Mine Kim, Ann Arbor, Mich.;  
B.A. (Ewha Woman's University, Korea);  
M.A. (Seoul National University, Korea);  
*English*
- Alan Douglas King, Zanesville;  
B.S.Ed. (Ohio University); *Education*
- Nancy Elizabeth Kingsbury, Akron;  
B.S.Ed.; *Education*
- Keith Klaiber, Columbus;  
B.S.Ed. (Bowling Green State University);  
*Education*
- Susan M. Kloc, Elma, N. Y.;  
B.S.Ed. (Ashland College);  
*Physical Education*
- Lynda Knapp, Berkeley, Calif.;  
B.F.A. (New York University); *Dance*
- Kenneth Lee Knowlton, Columbus;  
B.A., B.S.; *Photography and Cinema*
- Karen Mindlin Kohn, Livingston, N. J.;  
B.A. (Douglass College); *Education*
- Robert Sutton Koppert, Jelloway;  
B.A. (College of Wooster); *Education*
- Elizabeth Seislo Kosydar, Columbus;  
B.S.Ed.; *Education*
- Jill Carol Kresge, Homewood, Ill.;  
B.Mus. (Wheaton College, Illinois); *Music*
- William Russell Krueger, Columbus;  
A.B. (Oberlin College);  
M.S. (University of Wisconsin); *Psychology*
- Elaine Olson Kurtz, Toledo;  
B.S.Ed.; *Education*
- Mary Kay Olson Lake, Westerville;  
B.Mus. (Wittenberg University); *Music*
- Cynthia Ann Langwiser,  
New Britain, Conn.;  
B.A. (Albertus Magnus College);  
*Political Science*
- Dennis David LaRocco, Columbus;  
B.A.; *Public Administration*
- Robert Salvatore Laudino,  
Piscataway, N. J.;  
B.A. (Berry College); *History*
- Marcy Myers Ledford, Zanesville;  
B.A. (Muskingum College); *Education*
- Jo Ann Leissa, Columbus;  
B.S.Ed.; *Physical Education*
- Robert Allen Lentz, Rockville, Md.;  
B.A. (Muskingum College);  
*Public Administration*
- Linda Lou Lesnick, St. Clairsville;  
B.S.Ed.; *Communication*
- Phyllis Saltzman Levy, Cincinnati;  
B.S.Ed.; *Education*
- Kathleen Nelson Lewis, Columbus;  
B.A.; *Psychology*
- David Leroy Litterst, Columbus;  
B.S.Ed.; *Education*
- Anne Foutz Lodge, Columbus;  
B.S.Ed.; *Education*
- Nancy Elizabeth Lotz, Columbus;  
B.S.Ed.; *Communication*
- Lanette Meyer Luther, Columbus;  
B.S. (Valparaiso University); *Education*
- Nancy Louise Lutz, Zanesville;  
B.S.Ed. (Ohio University); *Education*
- John Patrick Madden, Columbus;  
B.A. (Western Reserve University);  
M.A. (University of Wisconsin);  
*Linguistics*
- Heidi-Elisabeth Malmquist,  
Hanover, Germany;  
B.A. (Fordham University); *Philosophy*
- Jennifer Bain Malone, Berkeley, Calif.;  
B.A. (University of California, Berkeley);  
*Public Administration*
- Eleanor Mann, Kent;  
B.A. (Kent State University); *English*
- Brenda Gayle Manns, Columbus;  
B.S. (Bluefield State College); *Education*
- Bette Williams Marschall, Westerville;  
B.S.Ed.; *Education*
- Susan Mobley Martin, Rochester, N. Y.;  
B.S.Soc.Wel.; *Public Administration*
- Susan Kay Maselli, Columbus;  
B.S.Ed.; *Education*
- Maryanne M. McArdle, Pennsauken, N. J.;  
B.A. (Ohio Dominican College); *Education*
- Laurel Julia McBurnie, Milton, Mass.;  
B.A. (Wellesley College); *Classics*
- Robert James McFadden, Jr., Columbus;  
B.S.Bus.Adm.; *Business Administration*
- Polly McLaughlin, Canfield;  
B.A. (Hiram College); *Education*
- Mary Louise McNutt, Columbus;  
B.S.Ed. (Miami University); *Education*
- Christina Marie McVay, Kent;  
B.A. (Kent State University); *German*
- Deborah Voss Mecklenburg, Mansfield;  
B.S. (Northwestern University);  
*Communication*
- Lois Ruskai Melina, Columbus;  
B.A. (University of Toledo); *Journalism*
- Marco Myroslav Melnyk, Kent;  
B.S. (University of Pennsylvania);  
*Economics*
- Sharon Marie Mester, Columbus;  
B.A.Ed. (Ohio Dominican College);  
*Education*
- Carol V. Middelberg, Pittsfield, Mass.;  
B.A. (Brown University); *Psychology*
- Charles Welbourn Middlebrook,  
Mt. Vernon;  
B.Theology (Life Bible College); *History*
- George Alfred Miller, Columbus;  
B.A., B.S.Ed.; *Public Administration*
- Jean Marie Miller, Greensburg, Pa.;  
B.A. (Duquesne University); *History*
- Anne Mendelson Mirman, Columbus;  
B.S.Ed.; *Communication*
- Diana Lynne Mitchell, Delaware;  
B.A. (Miami University); *Education*
- Kathleen Ann Moore, Butler, Pa.;  
B.S.S.W. (Capital University);  
*Public Administration*
- Johan Matthias Statius Muller,  
The Hague, Netherlands;  
B.A.; *History*
- Sharon Angela Nance, Cleveland;  
B.A. (Ohio Dominican College); *Education*
- Paul Joseph Naour, Jr., Columbus;  
B.S.Ed.; *Education*
- Susan Narwicz, Greenlawn, N. Y.;  
B.S. (Saint Lawrence University);  
*Psychology*
- Katherine Anne Patterson Nash, Columbus;  
B.A. (Wayne State University);  
*Journalism*
- Michele Lorraine Naylor, Fords, N. J.;  
A.B. (Rutgers University);  
*Slavic Languages and Literatures*
- Susan Ramsey Nelson, Worthington;  
B.A. (Reed College); *Public Administration*
- Jane Marie Nemke, Hatley, Wis.;  
B.S. (University of Wisconsin);  
*Journalism*
- Jeffrey Milton Netter, Toledo;  
B.A. (Northwestern University);  
*Economics*
- Karen Elaine Niles, Dayton;  
B.A. (Hillsdale College); *Psychology*
- John Eric Nolt, Massillon;  
B.A.; *Philosophy*

- Cheryl Ann North, Hanover, Mass.;  
B.A. (Ohio Wesleyan University);  
*Education*
- Steven R. Nuttall, Noble, Ill.;  
B.S. (Eastern Illinois University);  
*Philosophy*
- John Michael Offenbacher, Columbus;  
B.S.Ed.; *Education*
- Daniel Ogungbenjo Ogunbiyi, Igbeti, Oyo;  
B.A. (University of Ife);  
*Physical Education*
- Kenneth C. Page, Columbus;  
B.A. (Indiana University of Pennsylvania);  
*Public Administration*
- Christina M. Panasiuk, Waynesburg;  
B.A. (College of Wooster); *German*
- Elizabeth Lane Parker, Columbus;  
B.A. (Denison University); *Education*
- Nancy Jane Parker, Pittsburgh, Pa.;  
B.S.Ed. (Bowling Green State University);  
*Education*
- Faye Hughes Farmer, Hummelstown, Pa.;  
B.A. (Wittenberg University); *Education*
- Donnie Gray Paschall, Baltimore, Md.;  
B.A. (University of Maryland); *Education*
- Robert Lee Pavlick, Youngstown;  
B.S.Ed.; *Education*
- Alison Sara Pearlstein, New York, N. Y.;  
B.A. (Bennington College); *Dance*
- Charles Frederick Pepple, Wapakoneta;  
B.S.Ed.; *History*
- Karen Elizabeth Pettus, Columbus;  
B.S.Ed.; *Education*
- John Thomas Peyton, Mentor;  
B.A. (Ohio Wesleyan University);  
*Physical Education*
- Frederic Denver Pfening, III, Columbus;  
B.A. (Ohio Wesleyan University); *History*
- Dorothy Ramsey Phillips, Columbus;  
B.S.Ed. (Bowling Green State University);  
*Education*
- Karen Kostyn Pick, Elyria;  
B.S.Ed.; *Communication*
- Cynthia Juanesta Pinchback, Danville, Va.;  
B.A. (Virginia State College); *Education*
- Marsha Ann Playko, Groveport;  
B.S.Ed. (Ohio University); *Education*
- Richard Allan Ploch, Hawthorne, N. J.;  
A.B. (Colgate University);  
M.S., A.M.L.S. (University of Michigan);  
*Dance*
- Ralph David Pridemore, Columbus;  
B.S.Ed.; *Education*
- Lelia Prisco, Columbus;  
B.A. (Douglass College); *Political Science*
- Elizabeth JoAnne Pruitt, Columbus;  
B.A.; *Education*
- Anthony Pete Rabara, Stockton, Calif.;  
B.A.Music (California State University of  
Sacramento); *Dance*
- Beth Leslie Racine, Erie, Pa.;  
B.S. (Edinboro State College);  
*Physical Education*
- Robert Meredith Raines, Columbus;  
B.A.Jour.; *Journalism*
- Charlotte Ruth Rainsberger, Columbus;  
B.A. (Southern Methodist University);  
*Public Administration*
- Catherine Marie Raleigh, Columbus;  
B.Ed. (University of Toledo); *Education*
- Linda Ellis Records, Dublin;  
B.S.Ed., Cert.Grad.Dent.Hyg.;  
*Communication*
- Harry Louis Rees, Woodsfield;  
B.A.; *History*
- Jeffrey Blake Ritter, Columbus;  
*Communication*
- Abigail Moran Robinson, Columbus;  
B.D. (Marshall University); *Education*
- Mark Arthur Robinson, Bryan;  
B.S. (Kent State University);  
*Public Administration*
- Paul Stephen Roepecke, Columbus;  
B.A. (Capital University); *Education*
- Lawrence Steele Ruddell, Charlotte, N. C.;  
A.B. (Davidson College); *Education*
- Karin Lynne Rumble, Youngstown;  
B.S.H.S.S. (Ohio University); *Education*
- Sharon Smith Saam, Columbus;  
B.A.; *Romance Languages and Literatures*
- Dorsey Bauder Sachs, Grand Rapids, Minn.;  
B.A. (College of Wooster); *Communication*
- Ann Maria Salimbene, Columbus;  
B.A.Jour.; *Education*
- Gary Salussolia, Clifton, N. J.;  
B.A. (Seton Hall University); *Education*
- Jim Philip Satia, Cameroon, Africa;  
B.Comm. (Bliss College);  
B.A. (Ohio Dominican College); *Journalism*
- Catherine Hines Scheideger, Bolivar;  
B.S.Ed. (Ashland College); *Education*
- William Charles Schillig, Alliance;  
B.S. (Mount Union College); *Education*
- Amelia Kunkler Schneider, Columbus;  
B.S.Ed.; *Communication*
- Kim Clem Schroeder, Pandora;  
B.A. (University of Toledo);  
*Political Science*
- Brenda Coleen Schurle, Kingman, Kan.;  
B.S.Ed. (Kansas State Teachers College);  
*Education*
- Janelle Rae Seabaugh, Dayton;  
B.A.; *Classics*
- John Michael Seelig, Columbus;  
B.S.; *Public Administration*
- David M. Sellers, Columbus  
B.A.; *Education*
- Rudolph Andrew Sever, Westerville;  
B.S.Ed. (Kent State University);  
*Education*
- Donald Wain Sheehan, Canton;  
B.S.Ed. (University of Dayton); *Education*
- Nancy Marie Sheeran, Columbus;  
B.A. (Saint Mary's College, Indiana);  
*Education*
- Jane Marie Sheldon, Bay Village;  
B.S.Ed.;  
*Romance Languages and Literatures*
- John Henry Shipp, III, Columbus;  
B.A., M.C.R.P.; *Public Administration*
- Suliman Yousef Shwaeb, Tobruk, Libya;  
B.S.J. (Ohio University); *Journalism*
- Claudia Ellen Siebel, Woodside, N. Y.;  
B.A. (New York University); *Psychology*
- Alphonso Simmons, Columbus  
B.A. (Fort Valley State College); M.S.W.;  
*Public Administration*
- Jack Lawrence Skurvid, Medina;  
B.A.; *Education*
- Norman Erik Smith, Stratford, Conn.;  
B.S. (University of Bridgeport); *Sociology*
- Joseph Anthony Snograss,  
Kansas City, Mo.  
B.Envir. Design (Kansas University);  
M.C.R.P.; *Public Administration*
- Tonia Alexander Souder, Gahanna;  
B.S.Ed.; *Education*
- Susan Ellen Spielberg, Falls Church, Va.;  
B.S. (Ohio University); *Communication*
- Josephine Mary Stabile, Columbus;  
B.A.; *Romance Languages and Literatures*
- Bethany Kay Stanbery, Rocky River;  
B.S.Ed.; *Education*
- Carol Jean Stevens, Stonington, Conn.;  
B.S. (University of Connecticut State College);  
*Physical Education*
- Stephen Lee Stroud, Columbus;  
B.A. (Centre College); *Political Science*
- Debra Lee Stuart, Aurora;  
B.A. (Ohio Wesleyan University);  
*Education*
- Robert Allen Stuart, Columbus;  
B.S.Ed.; *Education*
- John Michael Sullivan, Columbus;  
B.A.; *Education*
- Mildred Cooper Surace, Columbus;  
B.S.Ed.; *Education*
- Christine Anderson Swaskey, Chicago, Ill.;  
B.A. (University of Chicago); *German*
- James Lucien Swearingen, Columbus;  
B.Mus.Ed. (Bowling Green State  
University); *Music*
- Robert Earl Swift, Nemaocolin, Pa.;  
B.S.Ed.; *Education*
- Michael Emerson Swingle, Zanesville;  
A.B. (Ohio University);  
*Public Administration*
- Daniel Bruce Switchenko,  
Willimantic, Conn.  
B.S. (Central Connecticut State College);  
*Physical Education*

\* Also Bachelor of Arts,  
Colleges of the Arts and Sciences

John Michael Talaba, Mansfield;  
B.A. (Denison University); *Communication*

James Richard Tatman, Worthington;  
B.S.Ed.; *Education*

Alison Christine Taylor, Columbus;  
B.A. (Ohio Northern University); *Music*

Linda Marburger Taylor, Columbus;  
B.S.Ed.; *Education*

\*Scott Robert Taylor, Bay Village;  
*Political Science*

Timothy Davis Taylor, Newark;  
B.S.Ed.; *Education*

Brian James Terrell, New Vienna;  
A.A. (Columbus Technical Institute);  
B.S.Ed. (Ohio University); *Education*

William Thomas, Evergreen, Ala.;  
B.S.Ed. (Alabama State University);  
*Public Administration*

Paul Martin Thompson, New Concord;  
B.A. (Muskingum College); *Education*

Nelle McCoy Tobin, Reynoldsburg;  
B.A. (Converse College);  
*Romance Languages and Literatures*

Rita Louise Travis, Canton;  
B.A. (College of Saint Francis, Illinois);  
*Journalism*

Gail Susan Trecker, Circleville;  
B.A.; *Romance Languages and Literatures*

Hisako Tsuji, Okayama, Japan;  
B.A., M.A. (International Christian  
University); *Economics*

Kathleen Moore Tunis, Lyndhurst;  
B.S. *Tunis*

Rick Turkel, Columbus;  
B.A. (Hofstra University);  
Ph.D. (Massachusetts Institute of  
Technology); *Slavic Languages and  
Literatures*

Roberta Finney Turner, Columbus;  
B.S. (Virginia State College); *Education*

Joyce Eileen Valentine, Columbus;  
B.A. (Ohio University); *Education*

Doris Tonini Vanaman, Louisville, Ky.;  
B.A. (Ursuline College); *Education*

Mary Miller Van Buren, Columbiana;  
B.A. (College of Wooster); *History*

Paula Jean Van Fossen, Strasburg;  
B.S.Ed.; *Education*

Allen Dwight Varner, Edon;  
B.S.Ed.; *Education*

William Gene Vollrath, Marysville  
B.A. (Wittenberg University); *Journalism*

Michael Frank Wagner, Victoria, Tex.;  
B.A. (Texas Agricultural and Mechanical  
University); *Philosophy*

Willola Thomas Wagstaff, Columbus;  
B.S.Ed. (Alabama State University);  
*Education*

Barbara Berger Walker, Cleveland;  
B.A. (Indiana University); *Psychology*

Barbara Gaines Walker, Columbus;  
B.S.Ed. (Bowling Green State University);  
*Communication*

Debra Sue Wallick, Columbus;  
B.S.Ed.; *Education*

Kai-Ming Wang, Taipei, Taiwan;  
B.A. (Illinois State University);  
*Photography and Cinema*

Marcia Mae Ward, Norwalk;  
B.A.; *Psychology*

Stephen Michael Ward, Columbus;  
B.S. (University of Dayton);  
*Public Administration*

Leslie Barr Warnock, Columbus;  
B.S.Ed. (Miami University); *Education*

Willie James Warren, Miami, Fla.;  
B.S. (Bethune Cookman College);  
*Physical Education*

Dorothy Gerlach Watkins, Columbus;  
B.A. (Ohio Wesleyan University);  
*Education*

William David Webb, Columbus;  
B.A. (Capital University); *Education*

Dennis Weinberger, University Heights;  
B.A.; *Education*

Norma Jellison Weisner, Coraopolis, Pa.;  
B.A.; *Public Administration*

Robert Paul Wengerter, Columbus;  
B.S.Ed.; *Education*

Deborah Jeanne Whaley, Circleville;  
B.S.Ed. (Ohio University); *Education*

Jimmy Alice Irwin Wheatley,  
Cookeville, Tenn.;  
B.A. (Tennessee Technological  
University); *Romance Languages and  
Literatures*

James Eugene White, Columbus;  
B.S.Ed.; *Education*

Nancy Jean Whyte, Racine, Wis.;  
B.F.A. (Denison University); *Art*

Cynthia Mary Wilday, Olean, N. Y.;  
B.A. (Muskingum College); *Education*

Anna Thurman Wilkinson, Columbus;  
B.S.Ed.; *Education*

Cornelius Williams, Jr., Columbus;  
B.A. (Ohio University);  
*Public Administration*

Diana Raney Williams, Chillicothe;  
B.S.Soc.Wel.; *Education*

Jennifer Dingleline Williams, Columbus;  
B.A.; *Sociology*

Cynthia Miller Wilson, Kettering;  
Cert.Grad.Dent.Hyg., B.Mus.Ed.;  
*Education*

Donna Palmer Wilson, Columbus;  
B.A.; *Romance Languages and Literatures*

T. Page Wilson, Pittsburgh, Pa.;  
B.A. (University of Notre Dame);  
*Public Administration*

Joyce Anne Wlodarczyk,  
Lackawanna, N. Y.;  
College at Fredonia); *Art*

Robert Michael Wolff, Lorain;  
B.S.B.A. (University of Akron); M.B.A.;  
*Physical Education*

William Phillip Wood, Columbus;  
B.A. (Ohio Dominican College); *Education*

Marti Frances Worth, Columbus;  
B.A.; *Sociology*

Victoria Ann Wulf, Roseville;  
B.F.A. (Wittenberg University);  
*Education*

Anita Sarah Yovits, Columbus;  
B.A. (Hunter College); *Education*

Patricia S. Zimmerman, Cincinnati;  
B.A.; *Education*

Mark Yarnell Zinkon, Columbus;  
B.S.Ed. (Ohio University); *Education*

Carol Brevik ZumBrunnen, Columbus;  
B.S. (Saint Cloud State College);  
*Education*

#### Master of Business Administration

Forty-four candidates

(Field of Specialization is in italics)

Gary William Allietta, Shadyside;  
B.A. (University of Notre Dame);  
*Business Administration*

James Ralph Atkinson, Lima;  
B.S.Ed.; *Business Administration*

Kim Charles Barnett, Columbus;  
B.S.Bus.Adm.; *Business Administration*

Kathleen Nash Beatty, Canal Winchester;  
B.A.; *Business Administration*

Scott Alan Bryant, Auburn, Maine;  
B.A. (University of Maine);  
*Business Administration*

Craig Edward Chatwood, Springfield;  
B.S. in Bus. (Wright State University);  
*Business Administration*

James Robert Corey, Palos Heights, Ill.;  
B.S. (Drake University);  
*Business Administration*

James Elias Duemey, Columbus;  
B.S.Bus.Adm.; *Business Administration*

Lyman Louis Dulin, Columbus;  
B.S.Bus.Adm.; *Business Administration*

Kenneth Bradford Dunn, Chillicothe;  
B.S.Bus.Adm.; *Business Administration*

David Lee Eshler, Lancaster;  
B.I.E.; *Business Administration*

Jack Lamont Ezzell, Jr., Roseboro, N. C.;  
B.S. (Agricultural and Technical College  
of North Carolina); *Business  
Administration*

Steve Farkas, South Euclid;  
B.A.; *Business Administration*

George A. Hillow, Jr., Columbus;  
B.S.Ed.; *Business Administration*

\* Also Bachelor of Arts.  
Colleges of the Arts and Sciences

- John Frederick Joyce, Columbus;  
B.S.Met.E. (University of Pittsburgh);  
*Business Administration*
- Walter G. Kayser, Jr., Columbus;  
B.S.A.A.E.; M.A. (Central Michigan  
University); *Business Administration*
- John Patrick Kiener, Columbus;  
B.S.Bus.Adm.; *Business Administration*
- Craig Allen Loehrke, Delaware;  
B.S.Ch.E. (University of Cincinnati);  
*Business Administration*
- Theodore Robert Long, Jr., Cuyahoga Falls;  
B.A. (University of Notre Dame);  
*Business Administration*
- William Johnson Lutz, Columbus;  
B.A. (Denison University); *Business  
Administration*
- Andrew Joseph Marusa, Marion;  
B.S.Bus.Adm., M.S.;  
*Business Administration*
- Charles Marshall McKeag, Gahanna;  
B.G.E. (University of Omaha);  
*Business Administration*
- Larry Robert McQuerrey, Columbus;  
B.I.E.; *Business Administration*
- Timothy Arthur Michael, Columbus;  
B.A.; *Business Administration*
- Ted Martin Middelberg, Cincinnati;  
B.A. (Brown University);  
*Business Administration*
- George Paul Miller, Jr., Columbus;  
B.A. (Otterbein College);  
*Business Administration*
- Prabhakar Misra, Dehra Dun, India;  
B.E. (University of Roorkee);  
B.Sc. (Agra University); M.S.;  
*Business Administration*
- Gregory Dean Moreland, Columbus;  
B.S.Bus.Adm.; *Business Administration*
- Donald Charles Mumma, Columbus;  
B.S.Bus.Adm (Miami University);  
*Business Administration*
- Nobuo Ochi, Kamakura City, Japan;  
B.Econ. (University of Tokyo);  
*Business Administration*
- Sally Hardin Odegaard, Columbus;  
B.A. (Texas Technological University);  
B.S.; *Business Administration*
- Thomas Johnson Page, Jr., Columbus;  
B.S.E.E.; *Business Administration*
- Stephen Alan Ryan, Lexington;  
B.E.E.; *Business Administration*
- Susan S. Shumaker, Columbus;  
B.A.; *Business Administration*
- Keith Layton Smith, Jr., Mentor;  
B.S.M.E.; *Business Administration*
- George G. Suckarieh, Damascus, Syria;  
B.Sc. (Damascus University);  
M.S. (University of Cincinnati);  
*Business Administration*
- Christopher Case Tuttle, Columbus;  
B.S.Bus.Adm.; *Business Administration*
- Philip Hugh Urban, Oxford;  
B.A. (Miami University);  
*Business Administration*
- Charles Nelson VanZante, Columbus;  
B.S.Bus.Adm. (University of Missouri);  
*Business Administration*
- George Nichols Vorys, Columbus;  
B.A. (Dartmouth College);  
*Business Administration*
- Steven Gary Werkman, Perrysburg;  
B.S.Bus.Adm.; *Business Administration*
- Michael Dennis Wilke, Columbus;  
B.A.; *Business Administration*
- Thomas James Zenisek, Columbus;  
B.S.Bus.Adm.; *Business Administration*
- Tim Roland Zwiebel, Wapakoneta;  
B.S.; *Business Administration*
- Master of City and Regional Planning**
- Thirty-two candidates  
(Field of Specialization is in italics)
- Lee Thomas Bowman, Baltimore, Md.;  
B.S. (Morgan State University);  
*City and Regional Planning*
- Dennis Allen Brandon, Columbus;  
B.A. (Miami University);  
*City and Regional Planning*
- Babla Cariappa, Calgary, Alta., Canada;  
B.A. (Principia College);  
*City and Regional Planning*
- Bruce Douglas Casterline, Columbus;  
B.Arch.; *City and Regional Planning*
- Wayne Edwin Channell, Senecaville;  
B.S.Ed.; *City and Regional Planning*
- David R. Cramer, Columbus;  
B.A. (Drake University);  
*City and Regional Planning*
- Donn Gerald Ellerbrock, Columbus;  
B.A., M.A., J.D.; *City and Regional  
Planning*
- Neil A. Freedland, Rochester, N. Y.;  
B.A. (State University of New York at  
Buffalo); *City and Regional Planning*
- Douglas Alan Garver, Youngstown;  
B.A. (Mount Union College);  
*City and Regional Planning*
- William Edgar Hatzer, Columbus;  
B.A. (Otterbein College);  
*City and Regional Planning*
- Richard N. Hoffman, Miami, Fla.  
B.A. (Bradford College);  
*City and Regional Planning*
- Gary Leslie Hunt, Springfield;  
B.A. (Wright State University);  
*City and Regional Planning*
- Stephen Iwata, Los Angeles, Calif.;  
B.A. (University of California at Los  
Angeles); *City and Regional Planning*
- Fukuko Kobayashi, Columbus;  
B.A. (University of Toronto, Canada);  
M.A.Ed. (International Christian  
University, Japan); *City and Regional  
Planning*
- John Perry Marchion, Columbus  
B.S.Ed.; *City and Regional Planning*
- David Bates Marshall, Dayton;  
B.A.; *City and Regional Planning*
- Michael T. McLaughlin, Columbus;  
B.S.Ed., M.A. (Northern Illinois  
University); *City and Regional Planning*
- Bernard F. Meleski, Cincinnati;  
B.A. (Miami University);  
*City and Regional Planning*
- Thomas F. Mooney, Meadville, Pa.;  
B.A. (Indiana University of  
Pennsylvania); *City and Regional Planning*
- Douglas Bryan Moore, Circleville;  
B.A. (Miami University);  
*City and Regional Planning*
- Sandra Kay Morrow, Eutaw, Ala.;  
B.A. (Alabama Agricultural and  
Mechanical College); *City and Regional  
Planning*
- Thomas Richard Myers, Bothell, Wash.;  
B.A. (University of Washington);  
*City and Regional Planning*
- Gary Thomas Romer, Columbus;  
B.A. (State University of New York at  
Buffalo); *City and Regional Planning*
- John Robert Russell, Columbus;  
B.A.; *City and Regional Planning*
- Patricia Ayn Scott, Oberlin;  
B.A. (Columbia Union College);  
*City and Regional Planning*
- Terry Allan Siegall, Miami, Fla.;  
B. of Design (University of Florida);  
M.Arch.; *City and Regional Planning*
- David Michael Siegel, Rocky River;  
B.A. (Wittenberg University);  
*City and Regional Planning*
- Edward John Solomon, Kenmore, N. Y.;  
B.A. (State University of New York at  
Buffalo); *City and Regional Planning*
- James Michael Solyst, Derwood, Md.;  
B.A. (University of Maryland);  
*City and Regional Planning*
- Allen Martin Stern, University Heights;  
B.A.; *City and Regional Planning*
- Randolph Wilson, Buffalo, N. Y.;  
B.S. (Morgan State College);  
*City and Regional Planning*
- An-Sen Wu, Taichung, Taiwan;  
B.E. (Chung Yuan Christian College);  
*City and Regional Planning*

**Master of Fine Art**

## Fourteen candidates

(Field of Specialization is in italics)

Robin Sue Becker, Columbus;  
B.A.; *Theatre*Randolph Stephen Blackburn, Chesapeake;  
B.F.A.; *Art*Gregory Allen Felzien, Burlington, Colo.;  
B.F.A. (University of Colorado); *Art*Daniel David Gerstein, Portsmouth, N. H.;  
B.A. (University of New Hampshire);  
*Theatre*Mark William Gildav, Gahanna;  
B.F.A. (Ohio University); *Art*Elliott Christian Jones, Suffolk, Va.;  
B.A. (Norfolk State College); *Art*James Joseph Knobloch, Belleville, Ill.;  
B.A. (Southern Illinois University);  
*Theatre*George Kenneth Laak, Springfield, N. J.;  
B.A., M.A. (Newark State College); *Art*Kenneth James Langdon, Lakewood;  
B.A. (Saint Vincent College); *Theatre*James Raymond Macedo, Hayward, Calif.;  
B.A. (California State University at  
Hayward); *Theatre*Philip Woolworth Smith, Columbus;  
B.F.A.; *Art*Mark Eric Soppeland, Boulder, Colo.;  
B.F.A. (University of Colorado); *Art*Randolph Clark Warren, Briarcliff, N. Y.;  
B.F.A.; *Art*Loretta Sue Wonacott, Boise, Idaho;  
B.F.A. (Boise State University); *Art***Master of Music**

## Six candidates

(Field of Specialization is in italics)

John Theodore Emche, Jr., Baltimore, Md.;  
B.A. (Towson State College); *Music*Steven Arthur Emery, Columbus;  
B.Mus. (Oberlin Conservatory); *Music*Mark Steven Norris, Columbus;  
B.Mus.; *Music*James Jonathan Swank, Columbus;  
B.M.E. (Baldwin-Wallace College); *Music*Monica Johanna Umstaedt, Cleveland;  
B.M. (Baldwin-Wallace College); *Music*Terry Russell Wharf, Spokane, Wash.;  
B.M. (University of Idaho); *Music***Master of Public Administration**

## Eleven candidates

(Field of Specialization is in italics)

Ralph Louis Bangs, Columbus;  
B.A. (Cleveland State University);  
*Public Administration*Steven Russell Brennen, Fremont;  
B.A.; *Public Administration*Douglas Stewart Cleland, Marietta;  
B.A. (Earlham College);  
*Public Administration*Lance Lindworth Decker, Columbus;  
B.S.Ed.; *Public Administration*Michael S. Dziejewicz, Wadsworth;  
B.A. (Miami University);  
*Public Administration*Tara Lynn England, Columbus;  
B.A. (Miami University);  
*Public Administration*J. Milton Janzen, Harrisonburg, Va.;  
B.S.Bus.Adm.; *Public Administration*Robert Dennis Kovach, Richmond Heights;  
B.A., M.A. (Miami University);  
*Public Administration*Anne M. Kukla, Columbus;  
B.A. (Case Western Reserve University);  
M.Ed. (Cleveland State University);  
*Public Administration*Stephen Mark Mustard, Columbus;  
B.A. (Ohio University);  
*Public Administration*Bradford M. Sprague,  
Colorado Springs, Colo.;  
B.A. (Miami University);  
*Public Administration***Master of Science**

## Two hundred and thirty-six candidates

(Field of Specialization is in italics)

Thomas Hoovler Aishton, Columbus;  
B.A.A.E.; *Mechanical Engineering*Dwight Lee Amberg, Columbus;  
B.E.E.; *Electrical Engineering*James F. Anderson, Toledo;  
B.A. (University of Toledo);  
*Allied Medical Professions*Boris Anzulovic, Split, Yugoslavia;  
Diploma (University of Zagreb);  
*Welding Engineering*Rosemary Babiak, Weirton, W. Va.;  
B.S. (West Liberty State College);  
*Microbiology*Frederick E. Baden, Malinta;  
B.S.; *Computer and Information Science*Richard John Badzik, Columbus;  
B.S.E.E.; *Electrical Engineering*William A. Barton, Vista, Calif.;  
D.D.S. (Saint Louis University); *Dentistry*David W. Belitsky, Akron;  
B.S.Agr.; *Natural Resources*Ryle Anderson Bell, Barbados, W. I.;  
B.S. (Long Island University);  
D.D.S. (Howard University); *Dentistry*Sason Benado, Givatayim, Israel;  
B.S.M.E.; *Mechanical Engineering*Cheryl Alexis Bleicker, Chagrin Falls;  
B.A. (Hiram College); *Veterinary  
Physiology and Pharmacology*Harold Dale Bogart, Columbus;  
B.A.; *Statistics*Stanford Sage Bonan, New York, N. Y.;  
B.A. (Queens College); *Mathematics*Georgene Marie Bourdeau, Painesville;  
B.S.Soc.Wel.; *Agricultural Education*Douglas Lyle Bowers, Eaton;  
B.A.A.E. (Purdue University);  
*Aeronautical and Astronautical  
Engineering*Kevin Robert Boyne, Wyoming;  
B.S.; *Computer and Information Science*Linda Balderson Boyne, Worthington;  
B.S. (Michigan State University);  
*Allied Medical Professions*David Harold Brand, Dayton;  
B.S.E.E. (University of Nebraska);  
*Electrical Engineering*Douglas Edgar Brash, LaGrange, Ill.;  
B.S. (University of Illinois); *Biophysics*Robert Noakes Brenner, Findlay;  
B.S.Nat.Res.; *Natural Resources*Donald George Bronn, Columbus;  
B.A.; *Zoology*John Lee Brooks, Cleveland;  
A.B. (Case Western Reserve University);  
*Mathematics*Fred Breneman Brower, Willoughby;  
B.A. (College of Wooster);  
*Allied Medical Professions*\*David William Brzoska, Springfield;  
B.S. (Marquette University);  
M.A. (Aquinas Institute of Theology);  
*Entomology*Donald W. Buchanan, Jr., Fostoria;  
B.S. (Oklahoma State University);  
*Chemical Engineering*William Wesley Bundy, Coshocton;  
B.S.I.S.E.; *Industrial and Systems  
Engineering*Dennis Lloyd Burech, Bellaire;  
B.A. (Oberlin College); M.D.;  
*Medical Microbiology*Samuel Joseph Cardman, Jr., Norwalk;  
B.A.; *Computer and Information Science*Alexander Andrew Carey,  
Falls Church, Va.;  
B.S. (University of Notre Dame);  
*Chemistry*

\* Also Doctor of Dental Surgery, College of Dentistry



- Timothy Robert Cassity, McDermott;  
B.S. (Ohio University); *Microbiology*
- Thomas Joe Castor, Findlay;  
B.S.E.E. (Ohio Northern University);  
*Electrical Engineering*
- Richard Arthur Cavanaugh, Kettering;  
B.S.A.S.E. (University of Cincinnati);  
*Aeronautical and Astronautical  
Engineering*
- John Steven Chandler, Arlington, Va.;  
B.A. (College of William and Mary);  
*Computer and Information Science*
- Hoover Juh-huh Chen, Cleveland Heights;  
B.S. (National Taiwan University);  
*Electrical Engineering*
- Yiu-Tong Joseph Chin,  
Wanchai, Hong Kong;  
B.A. (California State University at  
Fresno); *Computer and Information  
Science*
- Norma Vavatsi Christakis,  
Thessaloniki, Greece;  
M.D. (Aristotelian University); *Pathology*
- Dale Alan Claes, Shelby;  
B.S.All'd.Hlth.Prof.  
*Allied Medical Professions*
- Charles Richard Craiglow, Canton;  
B.S.; *Mathematics*
- James Edward Curl, Columbus;  
B.S.; *Geology and Mineralogy*
- Thomas Eugene Daiber, Nevada;  
B.S.Agr.; *Agricultural Education*
- Joseph Frank Damore, Warren;  
B.A. (Thiel College); *Allied Medical  
Professions*
- Joseph Frank Dasta, Weirton, W. Va.;  
B.S.Pharm (West Virginia University);  
*Pharmacy*
- Richard DeBernardo, Jr., Levittown, Pa.;  
B.S. (Lock Haven State College);  
*Computer and Information Science*
- Kenneth Robert Demarest,  
Siloam Springs, Ark.;  
B.S. (John Brown University);  
*Electrical Engineering*
- James Demas, Pataskala;  
B.S., M.S. (Ohio University);  
*Industrial and Systems Engineering*
- Doreen Denega, Cleveland;  
B.S.Nurs.; *Nursing*
- Scot Warren Denmark, Dayton;  
B.A. (Princeton University); *Physiology*
- Jeffrey Howard Dinitz, Columbus;  
B.S. (Carnegie-Mellon University);  
*Mathematics*
- Richard Stanley Doff, Freeport, N. Y.;  
B.A. (Drew University);  
D.M.D. (Tufts University); *Dentistry*
- William Cullen Donovan, St. Marys;  
B.S.; *Natural Resources*
- Vincent Francis Dugar, Chardon;  
B.S.E.E. (Ohio University);  
*Electrical Engineering*
- 'Juliet Tanada Edberg, Columbus;  
B.S. (University of Maryland);  
*Physiological Optics*
- Lois Helen Edford, Livonia, Mich.;  
B.S. (Michigan State University); *Zoology*
- Abdalaziz Eid A. Eid, Riyadh, Saudi Arabia;  
B.Agric. (University of Riyadh);  
*Food Science and Nutrition*
- Eltayeb Ali Elhag, Barakat, Sudan;  
B.Sc. (University of Khartoum);  
*Entomology*
- Richard Allen Ellis, New Philadelphia;  
B.S. (Ohio University); *Natural Resources*
- Mohamad Rashad Nassr Elmitiny,  
Cairo, Egypt;  
B.Civ.Eng. (Cairo University);  
*Civil Engineering*
- Jerry Alan Emerick, Columbus;  
B.A.; *Biophysics*
- Deems Shelton Emmer, Reynoldsburg;  
B.S.A.A.E.; *Aeronautical and Astronautical  
Engineering*
- Jalil Moghimi Ershadi,  
Englewood Cliffs, N. J.;  
B.S. (Texas Agricultural and Mechanical  
University); *Civil Engineering*
- Linford Nevin Falb, Dalton;  
B.S.Agr.; *Agronomy*
- Kenneth H. Fein, Livingston, N. J.;  
B.A. (New York University); *Physiology*
- Hasan Fenercioglu, Antalya, Turkey;  
Agri.Eng. (Ataturk University);  
*Horticulture*
- Evandro Costa Ferreira, Natal, Brazil;  
Engenheiro Civil (Universidade do Rio  
Grande do Norte); *Civil Engineering*
- Gregory Clarence Ficke, Cincinnati;  
B.S. (Miami University);  
*Nuclear Engineering*
- Diane Carol Ford, Rosemont, Pa.;  
B.S. (Philadelphia College of Pharmacy  
and Science); *Pharmacy*
- James Edward Francis, Seattle, Wash.;  
B.S. (University of Washington);  
*Pharmacy*
- Moshe Frank, Haifa, Israel;  
B.Sc. (Technion Israel Institute of  
Technology); *Mechanical Engineering*
- Kin-Chung Fung, Kowloon, Hong Kong;  
B.S. (University of Nebraska);  
*Computer and Information Science*
- Stephan Marc Gale, Eastlake;  
B.S.C.E.; *Civil Engineering*
- Richard Alan Games, Mentor;  
B.S. (Carnegie-Mellon University);  
*Mathematics*
- William Grant Gardner, Columbus;  
B.S.Pharm., M.D. (University of  
Cincinnati); *Medical Microbiology*
- Thomas John Gerschutz, Tiffin;  
B.S.Agr.; *Agricultural Education*
- John Martin Ghist, Bucyrus;  
B.S.; *Geology and Mineralogy*
- Scott Wilson Gordon, Utica, N. Y.;  
B.A. (Miami University); *Entomology*
- Christopher Robert Groff, Mansfield;  
B.S. (Purdue University);  
*Nuclear Engineering*
- Julia Freeman Guy, Columbus;  
B.S.Ed. (University of Florida); *Anatomy*
- Elizabeth Miller Hartz, Crestline;  
B.S.; *Preventive Medicine*
- Edward Joseph Hasenohr, Red Bank, N. J.;  
B.A. (Rutgers University);  
*Geology and Mineralogy*
- 'Rodney Alan Hathaway, Greenville;  
*Physiological Optics*
- Linda Carol Heatwole, Dayton, Va.;  
B.S. (Furman University);  
*Geology and Mineralogy*
- Michael Alan Hemmerich, Greenville;  
B.S.C.E.; *Civil Engineering*
- Robert William Henry, Cardington;  
D.V.M.; *Veterinary Anatomy*
- Lawrence Wayne Hoffman, Massillon;  
B.S. (University of Dayton);  
*Industrial and Systems Engineering*
- Everette William Holcomb, Albany;  
B.S.Agr.; *Agricultural Education*
- William Lee Howard, Columbus;  
B.S.; *Home Economics*
- Ralph Doyle Hudson, Columbus;  
B.Bus.Adm. (University of Kentucky);  
*Allied Medical Professions*
- Dorothy Cheng Ihochi, Columbus;  
B.S. (Texas Womans University);  
*Chemistry*
- Geoffrey Ignatius Iswandhi,  
Jakarta, Indonesia;  
B.S.E.E. (North Carolina State  
University); *Electrical Engineering*
- Antonio Ithier, Lorain;  
B.S.E.E.; *Electrical Engineering*
- William Anton Ivancic, Hamilton;  
B.S.; *Physics*
- Harry Juhanl Jappinen, Helsinki, Finland;  
Diplomi (Helsinki University of  
Technology); *Computer and Information  
Science*
- Thomas Clark Jividen, Athens;  
B.A., M.A. (Ohio University);  
*Allied Medical Professions*
- Steven Edward Johnson, Columbus;  
B.S.M.E.; *Mechanical Engineering*
- Dalia Regina Kavalunas, Cleveland;  
B.S. (Notre Dame College); *Pharmacy*
- William David Kerns, Mechanisburg;  
B.A. (Wilmington College); D.V.M.  
*Veterinary Pathobiology*
- Gladys Angle Kirk, Washington C. H.;  
B.S.H.Ec. (Ohio University);  
*Home Economics*

Also Doctor of Optometry, College of Optometry

- Bonnie E. Kirschenbaum, Edmonton, Alta., Canada; B.S. (University of Alberta); *Pharmacy*
- Fredrick Taylor Klevenow, Cleveland; B.S. (Case Western Reserve University); B.S.E.E.; *Electrical Engineering*
- Frederick Dennis Klink, Bucyrus; B.S.C.E.; *Civil Engineering*
- Ker-I Ko, Taipei, Taiwan; B.S. (National Tsing Hua University); M.S.; *Computer and Information Science*
- Martin Arthur Kopacz, Ironton; B.S.; *Geology and Mineralogy*
- Thomas Robert Krejci, Lincoln, Neb.; B.S. (Nebraska Wesleyan University); *Allied Medical Professions*
- \*Christopher Jan Kriss, North Royalton; *Agricultural Education*
- John A. Krystowiak, Sterling Heights, Mich.; B.S.E.E. (Wayne State University); *Electrical Engineering*
- Takenori Kunimi, Osaka, Japan; B.E. (Shizuoka University); *Electrical Engineering*
- William Lee Kurtz, Salem; B.A. (Goshen College); *Agronomy*
- K. B. Lakshmanan, Madras, India; B.E. (University of Madras); M.E. (Indian Institute of Science); *Computer and Information Science*
- Thomas Alan La Rotonda, Lima; B.S.; *Mathematics*
- Huei-Chen Lee, Taipei, Taiwan; B.S. (National Taiwan University); *Chemistry*
- Joan Buck Lemmon, Upper Arlington; B.S.H.E.; *Home Economics*
- Anita Ries Lilburn, Toledo; B.S.; *Computer and Information Science*
- Daniel Dale Lindley, Salt Lake City, Utah; B.A. (Whitman College); *Chemistry*
- Philip David Lipetz, Columbus; B.A. (Antioch College); *Biophysics*
- Arie Lipski, Givatayim, Israel; B.S.M.E.; *Mechanical Engineering*
- Linda Ann Londot, Mansfield; B.S.H.E.; *Home Economics*
- Randolph Langers Long, Tucson, Ariz.; B.A. (University of Arizona); *Agricultural Economics and Rural Sociology*
- Thomas C. Lunt, Put-in-Bay; B.S.C.E.; *Civil Engineering*
- William Charles Marvin, Fairfield; B.S.M.E.; *Mechanical Engineering*
- Katherine Marie Mayer, Delphos; B.S.H.E.; *Home Economics*
- Ellsworth Scott McAllister, Oxford, Pa.; B.S. (Pennsylvania State University); D.V.M. (University of Pennsylvania); *Veterinary Clinical Sciences*
- Robert Clinton McCort, Carrollton; B.S.Agr.; *Agricultural Education*
- Wallace Duncan McKay, Wheeling, W. Va.; B.S.; *Natural Resources*
- William Parks McKinnell, III, Columbus; B.S.C.E.; *Civil Engineering*
- Richard John McLaughlin, Conneaut; B.S.Agr.; *Agricultural Education*
- Ralph Meeker Metzger, III, Chillicothe; B.S.Agr.; *Dairy Science*
- Paul Joseph Mihalko, Cleveland Heights; B.S.Agr.; *Veterinary Physiology and Pharmacology*
- Merrell Allen Miller, Stone Creek; B.S.Agr. (University of Akron); *Geology and Mineralogy*
- Mark Allen Mitchell, Springfield; B.S.; *Microbiology*
- Donald Craig Moody, Acton, Mass.; B.S. (University of Massachusetts); *Animal Science*
- Myron Emmett Moody, Columbus; B.S.; *Food Science and Nutrition*
- Kedar Mal Morarka, Nagpur, India; B.E. (Nagpur University); *Mechanical Engineering*
- Harold Otis Morris, III, Huntington, W. Va.; B.A. (Marshall University); *Mathematics*
- Ruby Mukherjee, Calcutta, India; B.Sc., M.Sc. (Calcutta University); *Physics*
- John Paul Nalezienski, Haverhill, Mass.; B.A. (Salem State College); *Physiology*
- Ndukwe Kalu Ndukwe, Abiriba, Nigeria; B.Sc. (University of Nigeria); *Geodetic Science*
- Jeffrey J. Neal, Martins Ferry; B.S. (Ohio University); *Microbiology*
- Fred Kwok-Fai Ng, Hong Kong; B.Sc., M.S. (University of Oregon); *Computer and Information Science*
- Ernest Frank Oelker, Apple Creek; B.S.Agr.; *Dairy Science*
- Amos Bosede Olakunbi Ojo, Iffe, Nigeria; Diploma (North East London Polytechnic); *Geodetic Science*
- Kenneth Ray Olson, Pierpont; B.S.Agr.; *Agronomy*
- Thomas Weaver Pape, London; B.S. (Saint Lawrence University); *Natural Resources*
- Alan A. Parker, North Olmsted; B.S. (Michigan State University); *Physics*
- Alan Hawkes Parsons, Portland, Me.; B.S. (University of Maine); *Zoology*
- Kevin Dale Parsons, Columbus; B.S.E.E.; *Electrical Engineering*
- John Curran Peterson, Boardman; B.E. (Youngstown State University); *Electrical Engineering*
- Frieda Ann Prickett, Santa Fe, N. M.; B.A. (University of New Mexico); *Allied Medical Professions*
- Steven C. Prochaska, Findlay; B.S.; *Horticulture*
- Leonard Dennis Quick, Mansfield; B.S. (Denison University); *Physiology*
- John Robert Quinn, Staten Island, N. Y.; B.S. (Delaware Valley College); *Horticulture*
- Donald A. Raabe, Brunswick; D.D.S.; *Dentistry*
- Schumann Rafizadeh, Tehran, Iran; B.S. (Louisiana State University); *Computer and Information Science*
- John Benjamin Reed, Piqua; B.A. (Miami University); *Physiology*
- Laurence David Reed, Columbus; B.A.A.E.; *Industrial and Systems Engineering*
- Susan Dempsey Reif, Parma; B.S.Nurs.; *Nursing*
- Daniel L. Rice, Bloomington, Ind.; B.S. (University of Missouri); *Zoology*
- Richard Steven Rice, St. Clairsville; B.A. (Bethany College); B.S.Agr.; *Natural Resources*
- James Kenneth Richard, Falmouth, Me.; B.A. (University of Maine); *Geology and Mineralogy*
- Michael Joseph Riley, Chesapeake; B.A.; *Food Science and Nutrition*
- Robert William Ring, Clifton, N. J.; B.S.; *Mathematics*
- David C. Roberts, Warrensville Heights; B.A.; *Allied Medical Professions*
- Robert Lyle Roth, Jr., St. Petersburg, Fla.; B.S. (Massachusetts Institute of Technology); *Mathematics*
- Greg M. Russ, Louisville, Ky.; B.S. (University of Kentucky); *Computer and Information Science*
- \*Thomas Herbert Rutledge, Carrollton; *Agricultural Education*
- Robert Patton Ryan, Overland Park, Kan.; B.A., M.D. (University of Kansas); *Preventive Medicine*
- Siridej Sangsuchat, Bangkok, Thailand; B.S.E.S. (Rockhurst College); *Mechanical Engineering*
- Kenneth J. Schilling, Marietta; B.S.Agr.; *Agricultural Education*
- John R. Schmelzer, Columbus; B.S.Agr.; *Agricultural Economics and Rural Sociology*
- Michael P. A. Schoch, Quincy, Ill.; B.M.E. (General Motors Institute); *Industrial and Systems Engineering*
- Steven Karl Schriever, Cincinnati; B.S.; *Animal Science*

\* Also Bachelor of Science in Agriculture, College of Agriculture and Home Economics

- William Schell Schuermann, Columbus; B.S. (Iowa State University); *Agricultural Economics and Rural Sociology*
- Atul Natawarial Shah, Gujarat, India; B.E. (University of Baroda); *Metallurgical Engineering*
- Richard Leroy Shank, Wickliffe; B.S.Nat.Res.; *Zoology*
- Terry Ronald Shank, Charleston, W. Va.; B.S. (Morris Harvey College); *Botany*
- William Raymond Shelley, Bellevue; B.S.C.E.; *Civil Engineering*
- William Michael Shields, Piscataway, N. J.; A.B. (Rutgers University); *Zoology*
- Daryl Stanley Shoemaker, Waverly; B.S.Agr.; *Animal Science*
- Greg Alan Shreve, Mansfield; B.S.; *Electrical Engineering*
- Steven Andrew Simpson, Cumberland, Md.; B.S. (Frostburg State College); *Civil Engineering*
- Ruth Elaine Smilan, Lima; B.S.; *Computer and Information Science*
- Don Blair Snoko, Columbus; B.S., B.S.Ed.; *Biophysics*
- Srinivas Sridhar, Bangalore, India; B.Sc. (University of Calcutta); *Physics*
- Eric Henry Stein, New York, N. Y.; B.A. (State University of New York at Albany); *Allied Medical Professions*
- Clifford Allen Stokes, Bellefontaine; B.S.Agr.; *Animal Science*
- Mary Garvin Stover, Columbus; B.S. Occ.Theor.; *Allied Medical Professions*
- William Jay Stromberg, West Hartford, Conn.; B.S.E. (University of Michigan); *Engineering Mechanics*
- Ronald Jay Stuckey, Archbold; B.S.Agr.; *Agricultural Education*
- Jorja Kaye Sturek, Bartlett, Neb.; B.S. in Pharm. (University of Nebraska); *Pharmacy*
- Selvavinayakamoorthy Subramaniam, Sri Lanka; B.S. (University of Ceylon); *Geodetic Science*
- Greg Wayne Takacs, Chesterland; B.S.M.E.; *Mechanical Engineering*
- Kwoliang David Tau, Taiwan; B.S. (National Chang-Hsing University); *Chemistry*
- Richard Lynn Thompson, Erie, Pa.; B.S. Bus.Adm.; *Allied Medical Professions*
- Sharon Gayle Thompson, Princeton, W. Va.; B.S. (Virginia Polytechnic Institute); *Animal Science*
- Timothy Ward Tillson, Akron; A.B. (Brown University); *Mathematics*
- Nicholas Joseph Tomasi, Lima; B.S., D.D.S.; *Dentistry*
- Timothy Alan Trautman, Tower City, Pa.; B.A. (Slippery Rock State College); *Geology and Mineralogy*
- Chit-Sang Tsang, Kowloon, Hong Kong; B.S. (Louisiana State University and Agricultural and Mechanical College); *Electrical Engineering*
- Te-Fang Tsao, Taipei, Taiwan; B.S. (National Taiwan University); *Developmental Biology*
- Chao-Chuan Tu, Taipei, Taiwan; B.S. (Cheng-Kung University); M.S. (Fairleigh Dickinson University); *Statistics*
- Elijah William Turner, III, Dayton; B.S. Stanley (Texas Technological University); *Aeronautical and Astronautical Engineering*
- Bradley Kramer Utts, Newark; B.S. (Miami University); *Nuclear Engineering*
- Robert Charles Valentini, Lafferty; M.S. (Carnegie-Mellon University); *Mathematics*
- David James Vickers, Cincinnati; B.S., B.A.; *Mathematics*
- Mark Leslie Wagar, Columbus; B.A.; *Allied Medical Professions*
- Theodore Peter Wagner, Lakewood; B.S. (Syracuse University); *Geodetic Science*
- Anderson Howel Walters, Ligonier, Pa.; B.S. (United State Military Academy); *Industrial and Systems Engineering*
- Patricia Jane Walters, Garfield Heights; B.S.; *Zoology*
- Debra Devers Walton, Richwood; B.A. (Wittenberg University); *Natural Resources*
- Eau-Yin Wang, Taipei, Taiwan; B.Sc. (College of Chinese Culture); *Horticulture*
- Daniel Webel, Columbus; B.S.; *Agronomy*
- Camilla Jelm Weber, Akron; B.S.Ed.; *Preventive Medicine*
- Ned Gerard Weber, Delphos; B.A. (Ohio Wesleyan University); *Civil Engineering*
- Edward Mullender Webster, Jr., Waterloo, N. Y.; B.S.Bus. (Miami University); *Allied Medical Professions*
- Henry F. Wedemeyer, St. Louis, Mo.; B.S. Pharm. (University of Houston); *Pharmacy*
- Stephen Craig Weller, Niles, Mich.; B.S. (Central Michigan University); *Horticulture*
- Maryanne Wells, Toledo; B.S.Agr.; *Animal Science*
- Richard Paul Werner, Pomeroy; B.S.A.A.E.; *Aeronautical and Astronautical Engineering*
- Timothy Carter Wilcosky, Fort Lauderdale, Fla.; B.S. (Trinity College); *Preventive Medicine*
- Elizabeth Reeb Winzler, Whitehouse; B.S.Agr.; *Natural Resources*
- Michael Lee Wiseman, Columbus; B.A. (Heidelberg College); *Mathematics*
- Douglas Paul Wittig, Cleveland; B.A. (Wittenberg University); *Computer and Information Science*
- Thomas Jerald Wolf, Holgate; *Agricultural Education*
- Miagene Turner Worick, Columbus; B.S. (Baldwin-Wallace College); *Home Economics*
- Susan Catherine Wright, Columbus; B.S.All'd.Hlth.Prof.; *Pathology*
- Huifeng Edmund Wu, Taipei, Taiwan; B.S. (Fu-Jen Catholic University); *Electrical Engineering*
- Jeffrey Ernest Wuthrick, Beloit; *Agricultural Economics and Rural Sociology*
- Paul Chi-Min Yang, Kaohsiung, Taiwan; B.Sc. (Taiwan Provincial Chung-Hsing University); M.S. (Iowa State University); *Food Science and Nutrition*
- Stanley K. Yarnell, Wooster; B.S., M.D.; *Physical Medicine*
- Larry Dale Zeagler, Dallas, Tex.; B.S.Ch.E. (Texas Technological University); *Chemical Engineering*
- Amichay Zelcer, Givatayim, Israel; B.S.M.E.; *Mechanical Engineering*
- Allen S. Ziana, Monrovia, Liberia; B.Sc. (University of Liberia); *Computer and Information Science*
- Anne Brickman Zisenwine, Columbus; B.A. (Brandeis University); *Home Economics*
- Richard Zorn, New York, N. Y.; B.A. (Hobart College); *Allied Medical Professions*
- Eva Adler Zukerman, Cleveland; B.S.; *Microbiology*
- Terry Neal Zylstra, Reynoldsburg; B.S.E.E. (University of Michigan); *Electrical Engineering*

#### Master of Social Work

One hundred and six candidates

(Field of Specialization is in *italics*)

- Jose Barry Ashford, New Orleans, La.; B.A. (Loyola University); *Social Work*
- Christopher J. Auth, Bridgeport, Conn.; B.S. (University of Dayton); *Social Work*

\* Also Bachelor of Science in Agriculture, College of Agriculture and Home Economics

Daneen Peters Axelrod, Alliance;  
B.A. (Kent State University); *Social Work*

T. Marketta Seppelin Beckwith, Ashtabula;  
B.A. (Bowling Green State University);  
*Social Work*

Linda Carol Bennett, Hinton, W. Va.;  
B.A. (Concord College); *Social Work*

Barbara Gilbert Bernstein, Yellow Springs;  
B.S. (State University of New York College  
at Oswego); *Social Work*

Cheryl Anne Bialer, New York, N. Y.;  
B.A. (Queens College); *Social Work*

Donald Phillip Brewer, Cincinnati;  
B.A. (University of Kentucky);  
*Social Work*

Melinda Sue Brown, Toledo;  
B.A. (University of Toledo); *Social Work*

Susan Schaefer Brown, Cleveland;  
B.S.Ed. (Bowling Green State University);  
*Social Work*

Barbara McCauley Brugler, Carrollton;  
B.A. (Bowling Green State University);  
*Social Work*

William Lindsay Carter, Geneva;  
B.A. (Denison University); *Social Work*

Marcia Ann Ulrich Chavarria, Middletown;  
B.S.Soc.Wel.; *Social Work*

Thomas Patrick Cullen, Columbus;  
B.A.; *Social Work*

Nancy Jean Disbrow, Sandusky;  
B.A. (Kent State University); *Social Work*

Jennifer Greenley Downing,  
Cedar Falls, Iowa;  
B.A. (Wartburg College); *Social Work*

Lee Richard Dunham, Cincinnati;  
B.A. (University of Cincinnati);  
*Social Work*

Richard John Fetter, Columbus;  
B.A.; *Social Work*

Christine Ann Filipowicz, Independence;  
B.S.Soc.Wel.; *Social Work*

Jack Ira Fox, Columbus;  
B.S.Soc.Wel.; *Social Work*

Bonnie Mae Frazier, Havelock, N. C.;  
B.A. (Elizabeth City State University);  
*Social Work*

Victoria Friedberg, Syracuse, N. Y.;  
B.A. (State University of New York at  
Buffalo); *Social Work*

Diane Marie Frye, Mt. Vernon;  
B.S.Soc.Wel.; *Social Work*

Ruth Sieker Gardner, Columbus;  
B.A. (Ohio Wesleyan University);  
*Social Work*

Judith Ann Sillinee Gaston, Columbus;  
B.S.Soc.Wel.; *Social Work*

Linda Christine Gensheimer,  
Fort Wayne, Ind.;  
B.S. (Ball State University); *Social Work*

Dennis Roger Glasgow, Apple Creek;  
B.A. (Kent State University); *Social Work*

Roger Steven Golden, Columbus;  
B.S.Ed.; *Social Work*

Raymond Thomas Gonzalez, Belpre;  
B.S. (Miami University); *Social Work*

Laura Ann Grandon, Hilliard;  
B.A. (Kent State University); *Social Work*

David Hamilton, Brooklyn, N. Y.;  
B.A. (Swarthmore College);  
M.A. (Harvard University); *Social Work*

Rebecca Jane Hilbert, Eaton;  
B.A. (Miami University); *Social Work*

Marianne Hollern-Porter, Columbus;  
B.S. (Saint Joseph's College, Indiana);  
*Social Work*

Nancy Kay Hotz, Fremont;  
B.Ed. (University of Toledo); *Social Work*

Margaret Ann Hughes, Arlington, Va.;  
B.A. (Mary Washington College);  
*Social Work*

Marlene Barnett Hyman, Columbus;  
A.B. (University of Chicago); *Social Work*

James Anthony Ignelzi, Pittsburgh, Pa.;  
B.S. (Pennsylvania State University);  
*Social Work*

Blaise Nicholas Ipsaro, Jr., Dayton;  
B.A. (University of Dayton); *Social Work*

Peggy A. Jeffries, Indianapolis, Ind.;  
B.S. (Ball State University); *Social Work*

Lynne Merrill Johnston, Columbus;  
B.A. (University of Maine); *Social Work*

Frances Victor Kehr, Cleveland;  
B.A. (Case Western Reserve University);  
*Social Work*

Sandy Maier Keiser, Cincinnati;  
B.A. (College of Mount Saint Joseph on  
the Ohio); *Social Work*

Dorothy Birge Keller, Columbus;  
B.A. (Oberlin College);  
M.A. (University of Michigan);  
*Social Work*

Richard Francis Kennedy, Rocky River;  
B.A. (Miami University); *Social Work*

Nancy Belle Dyer Koch, Columbus;  
B.S. (Defiance College); *Social Work*

Tobie Fixler Kramer, Beachwood;  
B.A. (Kent State University); *Social Work*

Patricia Jane Roberts Lawrence,  
Coshocton;  
B.A. (Saint Francis College); *Social Work*

J. Philip Leatherman, Cincinnati;  
B.A. (Goshen College); *Social Work*

Sharon Marie Lenhart, Akron;  
B.S.Soc.Wel.; *Social Work*

Debra Ann Leno, McKees Rocks, Pa.;  
B.A. (Thiel College); *Social Work*

Tanya Lentz, Columbus;  
B.S. (Ohio University); *Social Work*

Beth Muriel Libby, South Euclid;  
B.A. (Ohio University); *Social Work*

Christopher G. Lohrman, Columbus;  
B.S.Soc.Wel.; *Social Work*

Jean Brandon Luckman, Columbus;  
B.S. (Urbana College); *Social Work*

Janice Madden, East Palestine;  
B.A. (Mundelein College); *Social Work*

Evelyn Poestges Mahairas, Worthington;  
B.A. (Queens College); *Social Work*

Timothy Joseph Mangan, Columbus;  
B.S.Bus.Adm. (Xavier University);  
*Social Work*

Stephen Marson, Columbus;  
B.A. (Ohio Dominican College);  
*Social Work*

Linda Susan McAlister, Columbus;  
B.A. (Capital University); *Social Work*

Euretta VanHee McAllister, Wilmington;  
B.A., M.A. (University of New  
Hampshire); *Social Work*

Mary McFarling, Granville;  
B.S.Soc.Wel.; *Social Work*

Katherine Elise Mills, Columbus;  
B.A. (Hobart and William Smith  
Colleges); *Social Work*

Marita Nolan, Lakewood;  
B.A. (Saint Mary's College, Indiana);  
*Social Work*

Barbara W. Oberleitner, New Castle, Pa.;  
B.A. (Pennsylvania State University);  
*Social Work*

David Allen Olds, Parma;  
B.S.Soc.Wel.; *Social Work*

Susanne K. Pedretti, Genoa, Wis.  
B.A. (Viterbo College); M.A.; *Social Work*

Carol Bowen Platt, Cincinnati;  
B.S. (University of Cincinnati);  
*Social Work*

Sherry Renee Pleeter, Utica, N. Y.;  
B.S. (State University of New York  
College at Buffalo); *Social Work*

Joseph Richard Price, Columbus;  
B.S.Bus.Adm. (Franklin University);  
*Social Work*

Reta Ann Prosser, Mansfield;  
B.S.; *Social Work*

Carol Risa Retsch-Bogart, Cincinnati;  
B.A. (University of Cincinnati);  
*Social Work*

Daniel Joseph Rice, Elmira, N. Y.;  
B.A. (Saint John Fisher College);  
*Social Work*

Anne Rogers Robinson, Columbus;  
B.S.Soc.Wel.; *Social Work*

Sarah Cornell Sadr, Westerville;  
B.S.H.E.; *Social Work*

Samuel Joseph Schaad, Celina;  
B.A. (Miami University); *Social Work*

Annette Schwarz, New York, N. Y.;  
B.A. (City College); *Social Work*

Aline Chapman Scott, Worthington;  
B.S.Soc.Wel.; *Social Work*

Helen Sue Scragg, Charleston, W. Va.;  
B.A. (Marietta College); *Social Work*

Karen Shafer, Columbus;  
B.S.; *Social Work*

Meredith McCabe Shankman,  
Arlington, Va.;  
B.A. (Georgetown University); *Social Work*

Mauri Shimmel, Great Neck, N. Y.;  
B.A. (Ohio University); *Social Work*

Judith Amspoker Siehl, Columbus;  
B.A. (Muskingum College); *Social Work*

Laura Silbaugh, Columbus;  
B.A. (DePauw University); *Social Work*

Sharon Ann Simon, Queen's Village, N. Y.;  
B.A. (Queens College); *Social Work*

Katherine Ann Spallino,  
Longmeadow, Mass.;  
B.S. (Wheaton College, Massachusetts);  
*Social Work*

Eileen Fran Spandorf,  
Warrensville Heights;  
B.S.Soc.Wel.; *Social Work*

James David Stahler, Dayton;  
B.A. (Wabash College); *Social Work*

Patricia R. Steinlage, St. Henry;  
B.S. (University of Dayton); *Social Work*

Linda Baumgartner Swaisgood, Cincinnati;  
B.S.Soc.Wel. (University of Cincinnati);  
*Social Work*

Ernest Amerio Swartz, Columbus;  
B.A. (Oberlin College); *Social Work*

Charlotte B. Swearingen, Columbus;  
B.S.Ed.; *Social Work*

Barbara Jo Taylor, Athens;  
B.S.Soc.Wel.; *Social Work*

Penelope Scales Temple, Oxford;  
A.B. (Miami University); *Social Work*

Susan Rebecca Thompson, Cincinnati;  
B.A. (Hanover College); *Social Work*

William Robert Thompson,  
Arlington Heights, Ill.;  
B.A. (College of Steubenville); *Social Work*

Natalie Graper Thornton, Cleveland;  
B.A.; *Social Work*

David Ward Tilton, Worthington;  
B.A. (Amherst College); *Social Work*

Beth Steiner Ullery, Worthington;  
B.S.Soc.Wel.; *Social Work*

Sharon Lynelle Urquhart,  
Newport News, Va.;  
B.A. (Hampton Institute); *Social Work*

Claudia Jean Velt, Columbus;  
B.S.Ed.; *Social Work*

Jean Weisman, Columbus;  
B.S. (University of Maryland); *Social Work*

Patricia Marie Wilkinson, Columbus;  
B.A. (Wittenberg University); *Social Work*

Roselyn Denise Williams,  
Camden County, N. C.;  
B.S. (Elizabeth City State University);  
*Social Work*

Linda Sieg Wolf, Columbus;  
B.A. (Case Western Reserve University);  
*Social Work*

Janice Faye Wunderle, Columbus;  
B.S.Ed.; *Social Work*

Palma Marie Zanghi, Dunkirk, N. Y.;  
B.S. (State University of New York  
College at Buffalo); *Social Work*

---

## Colleges of the Arts and Sciences

Chairman, Coordinating Council of Deans:  
Colin B. B. Bull

Vice Provost for the Arts and Sciences:  
Thomas A. Wilke

The Colleges of the Arts and Sciences,  
a federation of five colleges, include:

### College of The Arts

Acting Dean: J. Osborn Fuller

### College of Biological Sciences

Dean: Richard H. Bohning

### College of Humanities

Dean: Arthur E. Adams

### College of Mathematics and Physical Sciences

Dean: Colin B. B. Bull

### College of Social and Behavioral Sciences

Dean: Edward C. McDonagh

---

## College of The Arts

Acting Dean: J. Osborn Fuller

### Bachelor of Arts

Twenty-nine candidates

Thomas Furman Allen, Columbus  
Casey Alben Batule, Cleveland  
Dorothy Coleman Buckingham, Sunbury  
Brenton Henderson Carey,  
Delray Beach, Fla.  
Amelia Jane Carr, Columbus  
Barbara Nan Christian, Strongsville  
Boleslov Joseph Czelusniak, Cleveland  
James Peter DePaul, Worthington  
Paula Anne Dunaway, Columbus  
Carolyn Sue Dunlavy, Akron  
Michael Joseph Fogarty, Columbus  
Debra June Fritz, Toledo  
David Kurt Gaines, Brecksville  
Thomas Lee Gullickson, Ludlow Falls  
David Paul Hannigan, Newark  
Brenda Sue Hosey, Eastlake  
Hugh Wesley Kaylor, Kenton  
Jeffrey Blair Lammers, Newark  
Donna Marie LaRue, Columbus  
Christy Lee Menear, Columbus  
Mary Lynn Morrison, Columbus  
Mark Wilson Phillips, Cardington  
Rhonda Lee Quadt, Holmdel, N. J.  
Joel Allen Slayton, Dayton  
Patti Jean Specht, Cincinnati  
Gary Michael Sprague, Elyria  
Wayne Charles Stevenson, Anaheim, Calif.  
Penelope Joy Tyner, Galion  
Steven Wren Wilkins, Springfield

### Bachelor of Fine Arts

Fifty candidates

Mary Katherine Ambrose, LeRoy, Ill.  
Jay Elliott Barnhill, Columbus  
Ruth Anne Berry, Grove City  
Diane Lee Blankenship, Columbus  
Richard Harman Butts, Newark  
Leah Colleen Carter, Lone Grove, Okla.  
Donald Howard Chambers, Columbus  
Erma Mary Colvin, Chatham, N. J.  
Susan Diamond Cooper, Columbus  
\*Ellen Judith Copelan, Bala Cynwyd, Pa.  
Wilfred David Correia, Massillon  
Danny Luther Cotton, Columbus  
Nancy Koomen Della Rovere, Raleigh, N. C.  
Anne Faithorn Downes, Concord, Mass.  
James Gordon Easley, Defiance  
Susan Kay Endicott, Lima  
Elaine Downer Ferris, Willoughby  
Laurel Bristol Friedmann, Columbus  
Regina Ann Gillombardo, Cleveland  
Roger Reed Glass, Columbus  
Charles Bennett Goodwin, Columbus  
Miriam Babette Haas, Columbus  
Sarah Igo Hazelbaker, Columbus  
Aaron Lee Johnson, Canton  
Katherine Diane Keenan, Pataskala  
Barbara Ann Kidd, Kettering  
Marlene Driscoll Lambert, Marion  
Beth Ann Mazer, Columbus  
Reta C. L. Moore, Dayton  
Charles Kenneth Mosier, Mt. Gilead  
Giselle Norrington, Shaker Heights  
Peter Robert Pelletier, Laconia, N. H.  
Ann Elizabeth Raub, Bay Village  
Shirley Jeanne Riesenber, Cincinnati  
Constance Johnson Rubino, Columbus  
Debra Marlene Sams, Greenfield  
Michael J. Schirtzinger, Chillicothe  
Jennifer Kreider Schweickart, Worthington  
Mark Richard Slobodian, Port Clinton  
Beth Peterson Spencer, Columbus  
Mary Jo Margaret Studer, Tiro  
Albert Allen Tavares, Taunton, Mass.  
Lovell Stanford Tipton, Columbus  
Paul Eugene Vance, Columbus  
Linn Alison Walker, Columbus  
Mitzi Hope Walters, Dublin  
Sherry Lynn Weissman, Beachwood  
Paul Douglas Wirtz, Cleveland  
Gail Whitaker Young, Columbus

### Bachelor of Music

Seventeen candidates

\*\*Victoria Bernadini, Cincinnati  
Cynthia Jane Gady, Columbus  
Irving Philip Goldberg, New City, N. Y.  
Kevin Edward Gordon, Columbus  
Jennifer Guy, Columbus  
Bruce Kent Hartung, Columbus  
Roger Wayne Hines, Columbus  
Warren Wilson Hyer, Delaware  
Amy Frost Hyler, Columbus  
William Allen Jones, Columbus  
James Edwin Powell, Grove City

John Albert Sikora, Lorain

\*\*Sharon Virginia Tandy, Mentor  
John Kevin Torgerson, Grove City  
Louis Anthony Vaughan, Columbus  
Carey Leonard Viton, Garfield Heights  
J. Randall Wheaton, Worthington  
B.A. (Ohio Wesleyan University)

### Bachelor of Art Education offered jointly by the College of The Arts and the College of Education

Sixteen candidates

Debra Klosterman Bergman, Columbus  
Marsha Lynn Berner, Dover  
\*Ellen Judith Copelan, Bala Cynwyd, Pa.  
Brenda Denise Darden, Toledo  
Marta English Farris, Columbus  
Paula Elke Gartrell, Columbus  
Margaret Lynn Gregg, Columbus  
Lori Anne Henry, Columbus  
Craig Lee Inshco, Columbus  
B.F.A.  
Howard Edward Lewis, Jr., Columbus  
Frederick Eugene Mehling, Fremont  
Charles Michael Speer, Van Wert  
Stephen Allen Troehler, Circleville  
B.F.A.  
Gretchen Ann Weiss, Grove City  
Elizabeth Ann Wolf, Medina  
Debra Ann Zimmerman, Wauseon

### Bachelor of Music Education offered jointly by the College of The Arts and the College of Education

Forty candidates

Geriann Albano, Piqua  
Susan Weible Andrews, Columbus  
Nancy Leatherman Antonelli, Columbus  
\*Victoria Bernadini, Cincinnati  
David John Bitter, Lakewood  
Helen Henning Boddy, Columbus  
Elizabeth Davis Butler, Cincinnati  
Steven Gary Cohen, University Heights  
Janis Ann Dekany, Akron  
Edward Carl Delahunty, Warren  
Barbara Ann Downs, Dayton  
Allan James Dudek, Toledo  
Patcine Ferguson, Sidney  
Anne Louise Ferrell, Columbus  
Diann Foster, Columbus  
Terry Lynn Hampton, Miamisburg  
Jeffrey Glenn Harriman, Columbus  
Ned Mark Hosler, Orient  
Anne Elaine Hurst, Columbus  
Ruth Cheryl Hyslop, St. Clairsville  
Cynthia Morris Kipker, Columbus

\* Also Bachelor of Art Education, College of Education

\*\* Also Bachelor of Music Education, College of Education

1 Also Bachelor of Fine Arts, Colleges of the Arts and Sciences

2 Also Bachelor of Music, Colleges of the Arts and Sciences

Patricia Lynn McKown, Columbus  
 William Ray Miller, Attica  
 Patricia Anne Palmer, Defiance  
 Jerilyn Leonard Pfaffman, Columbus  
 Steven Kent Pfaffman, Columbus  
 Joan Lynne Prendergast, St. Marys  
 Mark Steven Richards, Navarre  
 Susan Allyson Schuyler, Newark  
 Leslie Leon Schwartz, Columbus  
 Donald Eugene Stemen, Canal Winchester  
 Vicki Lynn Stoer, Mt. Sterling  
 Judy Hopkins Sweeney, Westerville  
 \*Sharon Virginia Tandy, Mentor  
 Kathy Ellen Wallace, Columbus  
 Michael David Wallick, Columbus  
 Patrice Hartley Wallick, Columbus  
 Robert John Wasmund, Columbus  
 Michael Dean Wong, Cleveland Heights  
 Daniel William Wonnell, Columbus

### Bachelor of Science in Industrial Design

Twenty candidates

Thomas William Barnett, Westerville  
 Dennis Michael Bullock, Columbus  
 Nancy Lynn Dill, Worthington  
 Pamela Lee Edwards, Columbus  
 Arnold Friedlander, South Euclid  
 Richard William Gerling, Columbus  
 Julie Jo Jamison, Worthington  
 Laura Jane Kanning, North Olmsted  
 John Wesley Kazee, III, Columbus  
 Edgar David Lammers, Jr., Port Clinton  
 Paul James Leopold, Bay Village  
 Angela Kathleen Lokai, Columbus  
 Joyce Anne McKinney, Columbus  
 Mary Gina Montalto, Copley  
 Thomas Steven Neal, Lima  
 Donald Neal Reither, Shelby  
 Michael James Schuster, Columbus  
 Linda Ann Spohn, Brecksville  
 Jeffrey Calvert Tyler, Columbus  
 Phillip Hunter Unetic, Columbus

### College of the Biological Sciences

Dean: Richard H. Bohning

#### Bachelor of Arts

Twenty-four candidates

Michael Anthony Altomare, Youngstown  
 Jessie Caroline Anderson, Alexandria  
 Daniel Thomas Brown, Alexandria  
 Lois Lorraine Brown, Columbus  
 Carl Richard Curry, South Point  
 \*Fredrick Ira Doak, Marietta  
 Steven Ralph Fudge, Newark  
 †Cynthia Elizabeth Hannah, Shawnee  
 ‡Gary Richard Harris, Columbus  
 Michael Lee Hawkins, Akron  
 Jeffrey Alan Huston, Columbus  
 \*Kathleen Mary Lavey, Seven Hills

Robert Frank Marino,  
 Manhasset Hills, N. Y.  
 Gayle Lee Mason, Canton  
 Richard Keith Meister, Wheeling, W. Va.  
 Richard Lee Overmeyer, Defiance  
 John Lawrence Parker, Zanesville  
 Larry John Sangrik, Chardon  
 Jason David Smilow, Mayfield Heights  
 Nancy Whipple Spencer, Clyde  
 Arlen Ray Stauffer, Columbus  
 †Ted Wesley Switzer, Lima  
 Allen Tien, Columbus  
 Sandra Lee Winemiller, Gahanna

#### Bachelor of Science

Two hundred and forty candidates

John Martin Abraham, Euclid  
 Gregory Lynn Adams, Fairborn  
 Barbra Ellen Aldrich, Fostoria  
 Deborah Ann Altemus, Columbus  
 William Thomas Anderson, Lancaster  
 Richard Ray Bankhead, Fairborn  
 Guy Raymond Barat, Doylestown  
 Douglas Theodore Barnett, Cleveland  
 Richard Bernard Barry, Powell  
 Deborah Ellen Barsan, Akron  
 Daniel Joseph Batoha, Defiance  
 Gary Gene Beall, Dayton  
 Paul Edward Bechtle, II, Marion  
 Michael Allen Beckett, St. Marys  
 Stephen Michael Begezda, Youngstown  
 Bradley Samuel Berson, Beachwood  
 Marilyn Joan Bielen, Worthington  
 David Charles Black, Worthington  
 Stephen Arden Blythe, Delphos  
 †orian Louise Bockstiegel, Cincinnati  
 Robert Wayne Bolen, Warsaw  
 Cary Jeffrey Bortnick, Southfield, Mass.  
 William Charles Boss, II, Akron  
 Kevin Neal Bott, Girard  
 Judith Lynn Branham, Columbus  
 David Edward Breiding, Akron  
 William John Bresssey, Ashland  
 Michael Edward Brock, Dayton  
 Karen Ann Brozovich, Flushing  
 Cynthia Ann Bucher, Bay Village  
 Cindy Lee Burns, Canton  
 John Franklin Burton, Akron  
 James Arthur Caldwell, New London, Conn.  
 Ted Carl Campbell, Cincinnati  
 Barbara Ellen Carr, Winterville  
 Ralph Joseph Cavallaro, Youngstown  
 Walter Robertson Cayce, Medina  
 Marta Ann Chase, Worthington  
 Mark Robert Coleman, Lorain  
 James Richard Colleli, Columbus  
 Donald Dean Collins, Troy  
 Kenneth Michael Collura, Columbus  
 Gary Lynn Craine, Middle Point  
 Martin Rene Cuellar, Fostoria  
 John Scott Cunningham, Gallipolis  
 Michael David Darcy, South Euclid  
 Terrence Marvin Davis, Wellington  
 Suzanne Powell DeMuth, Painesville  
 Kenneth Michael Dennison, Springfield  
 James Henry Doench, Dayton  
 John Alexander Dubczak, Cleveland  
 Stephanie Jane Duber, Cleveland

Melinda Rae Early, New Philadelphia  
 Louis Edwin Edsell, Cambridge  
 Millicent J. Taylor Elder, Gahanna  
 William Allen Elder, Fredericktown  
 Gail Anne Elliott, Lakewood  
 Raymond Orlo Fatig, III, Galena  
 Kathryn Jean Fauley, Hopewell  
 Bonnie Sue Faust, Cincinnati  
 William Alan Fender, Baltic  
 Thomas Kevin Flanagan, Youngstown  
 John L. Fortney, III, Columbus  
 Richard Rodney Foy, Cincinnati  
 Robert Edward Gatens, Wadsworth  
 Margo Carol Getzinger, Stow  
 Denise Lyn Gilliam, Springfield  
 Charles Taylor Gleaves, Columbus  
 Ellen Beth Goldhammer, Columbus  
 Edwin John Gossett, Columbus

B.A.

Leslie Annette Grant, Chevy Chase, Md.  
 Frank Charles Grenier, Worthington  
 Gary David Grothaus, Dayton  
 Sheila Joy Grotzky, Grove City  
 Sara Frances Guerrero, Columbus  
 Douglas Charles Gula, Youngstown  
 John Patrick Hale, Batavia  
 Susan Jo Hamilton, Miamisburg  
 Jeffrey Brian Hammond, Tonowanda, N. Y.  
 Michael Henry Hards, Findlay  
 June Marie Harris, Mt. Vernon  
 William Scott Harwayne, New York, N. Y.  
 Dawn Marie Hathaway, Akron  
 Gregory Patrick Hawker, Jackson  
 Curtis Wayne Hawkins, Steubenville  
 Joseph Michael Heider, Dayton  
 Mark Albert Heinlein, Wheaton, Ill.  
 David John Hintz, Elyria  
 Sara Ann Hitri, Parma  
 Marion Francis Hoelzer, Skokie, Ill.  
 Mark Andrew Hornak, Youngstown  
 David Duane Houston, Lodi  
 Jeff Charles Huffman, Columbus  
 William Marshall Huntzinger, Middletown  
 Edward John Huschart, Cincinnati  
 Brian Jeffrey Ingerlicht, Parma Heights  
 Edward Robert Jacobs, Clifton, N. J.  
 Evan Bruce Janovitz, Cleveland  
 Derrell Eugene Jenkins, Zanesville  
 Gregory Michael Jewell, Jackson  
 Gregory Gene Johnson, Avon Lake  
 Louise Hannah Jones, Madison, N. J.  
 Martin Leland Jones, Rocky River  
 David Michael Kappus, Lakewood  
 Lisa Carol Kasso, Pepper Pike  
 Michael Stuart Kendall, Cincinnati  
 Marvin Richard Kennard, Portsmouth  
 Marian Kennedy, Bexley  
 Philip Harwood Keyser, Columbus  
 Albin T. Khouw, Wooster  
 Kendel Grant Kidwell, Hillsboro  
 Michael Kevin Kiertscher, Mentor  
 Jerry Dorrance King, Mt. Vernon  
 Robert Vincent Kinney, Lansdale, Pa.  
 Stephanie Ann Knapp, Springfield  
 Vivian Jean Knight, Salem  
 John Christian Koehly, Bellevue

† Also Bachelor of Music. Colleges of the Arts and Sciences

‡ Also Bachelor of Science in Education, College of Education

‡ Also Certificate of Graduate Dental Hygienist, College of Dentistry

Rebecca Sue Koffel, Newark  
 Richard Bernard Koler, South Euclid  
 Paul Brian Kratky, Cleveland Heights  
 Pamela Sue Kuder, Berea  
 Steven Thomas Kuhse, Elk Grove, Ill.  
 John Christopher Lanz, Cincinnati  
 Judith Adele Lassen, Lorain  
 Stacy Forbes Law, Worthington  
 Keith Jay Lehman, Columbiana  
 Lisa Francesca Lichota, Bedford  
 Janet Anne Link, Portage, Mich.  
 Carol Anne Lloyd, Newtown Square, Pa.  
 Michael Patrick Lombardo,  
 South Hempstead, N. Y.  
 Thomas Eugene Long, Piqua  
 Edward Anthony Lux, Marion  
 David Allen Magnacca, Dover  
 Ronald Doyle Manis, Jr., Dayton  
 Karol Anne Martin, Euclid  
 Gregory Oren Mason, Alliance  
 Stephen Veith Maurer, New Philadelphia  
 Maryann Christine May, Dresden  
 Douglas Paul Mazanec, Gates Mills  
 Denise Lora Mazorow, Lorain  
 Martha Ann McCabe, Columbus  
 Glenn William McLaughlin, Willoughby  
 Paul Howard Merchant, Findlay  
 Scott Gordon Meyers, Bay Village  
 William Richard Miely, Columbus  
 Sally Ann Miller, East Sparta  
 John Joseph Minetti, Matawan, N. J.  
 Colin Lee Moffett, Lima  
 Michael Lawrence Moore, Hilliard  
 Paul Frank Moorman, Columbus  
 Charles Frederick Morris, Vandalia  
 Stephen Michael Morrison, Dayton  
 Janet Lynne Nemece, Bellaire  
 Brad Steven Nitzberg, Westbury, N. Y.  
 Danny Alan Noble, Columbus  
 Rick Paulo Noel, Hilliard  
 Robert Edward Norris, Grove City  
 Jeffrey Norman Oberle, Toledo  
 Kenneth Alan Orchard,  
 Rickenbacker A.F.B.  
 Kathy Lynn Orchen, Pepper Pike  
 Bruce Marvin Ott, Toledo  
 Stephen Michael Paridon, Doylestown  
 Helen L. Pastis, Columbus  
 Randall Lee Patterson, Parma  
 Brian Richard Paules, Whitehall, Pa.  
 Vickie Leigh Payne, Columbus  
 Joyce Lynn Pederzol, Alliance  
 Karen Jo Pentella, Canton  
 Susan Peters, Brookville  
 Ellen Dorothea Peterson, Oxford  
 Harold Lee Pickens, St. Clairsville  
 Dennis James Pierson, Lima  
 Mary Kathryn Pollock, Coshocton  
 Marc Andrew Ponticello, Westerville  
 Gary Lee Porter, Columbus  
 Dorothy Poast Predmore, Galion  
 Pamela Elizabeth Rais, Cincinnati  
 Stephen Joseph Ralston, Columbus  
 Dennis Alan Rankin, Akron  
 Brian George Razek, University Heights  
 Norman Gerhard Reichenbach, Columbus  
 Jonathan Scott Reichner, Westbury, N. Y.  
 Christine Mary Rettich, Dayton  
 James Edwin Rice, Columbus  
 Michael H. Rich, East Rockaway, N. Y.  
 Thomas Henry Rieman, Cleveland

Jason Earl Robson, East Liberty  
 Michael Joel Rosen, Columbus  
 Jonathan Earl Rosenbaum, Lorain  
 Timothy Marshall Rouch, Columbus  
 Ronald Eugene Rowland, Washington C. H.  
 Irwin Ruderman, Columbus  
 Frank Joseph Sandker, Jr., Monroe  
 Joy Schechtman, Hamilton  
 Carol Ann Schmidt, Hudson  
 Kathleen Diane Schmidt, Xenia  
 Terrence William Schwager, Youngstown  
 James Parker Scisson, Jr., Lewisburg  
 Richard John Seligman,  
 East Longmeadow, Mass.  
 Jack Anthony Shepherd, Cincinnati  
 Robert Stuart Simon, Columbus  
 Allan Simpson, Lorain  
 Robert Stephen Skarzynski,  
 New Haven, Conn.  
 Michael Arden Sohl, Columbus  
 Edward Michael Sole, Woodbridge, N. J.  
 Richard Alan Solwitz, Beachwood  
 Scott Douglas Somers, St. Louis, Mo.  
 Theodore James Spellmire, Lebanon  
 Jacqueline Gail Stewart, Kingston  
 Susan Diane Stickle, Laura  
 Jeffrey Bruce Studebaker, West Alexandria  
 Donald James Styer, II, Annandale, Va.  
 Lloyd Paul Svedersky, Canton  
 Paul Robert Swenson, Akron  
 Brian Joseph Swetlin, Euclid  
 Jan Tarsitano, Columbus  
 Robert Joseph Uhl, Sabina  
 Richard Arthur Urbaneck, Jr., Brunswick  
 Rebecca Ann Valentine, Elyria  
 Jeffrey Robert VanKeuren, Wooster  
 Daniel James Vannelle, Shadyside  
 Frank Thomas Vlchek, Kirtland  
 Michael Stephen Vrabec, Columbus  
 George Anthony Vrabel, Lorain  
 Janet Margaret Walker, Adena  
 Sandra Jeanne Warner, Kettering  
 Robert James Washabau, Greensburg, Pa.  
 Robert Alan Weinberg, New York, N. Y.  
 Beth Ann Welch, Worthington  
 Kenneth Eugene Welling, Jr.,  
 North Royalton  
 Donna Marie Werblan, Girard  
 Geoffrey Allan Westenhouse, Lancaster  
 Scott Alan Westfall, Marysville  
 Charles Bryan Wilcher, Wintersville  
 Michael Allen Womer, Fresno  
 Mark Wilson Woutat, Canton  
 Susan Louise Yates, Montville, N. J.  
 Susan Elizabeth Yotive, Cleveland  
 David Robert Youngman, Tiltonsville  
 Susan Therese Yug, Struthers

## College of Humanities

Dean: Arthur E. Adams

### Bachelor of Arts

One hundred and ninety candidates

Patricia Carr Abbott, Sidney  
 Deborah Sue Akers, Columbus  
 †Sandra Lee Allen, Kilbourne  
 †Sharon Lee Allan, Cincinnati  
 James David Allshouse, Poland  
 Janice Leota Andrews, Newark  
 Judith Lynn Arnold, Miami, Fla.  
 Robert Wayne Bailey, Columbus  
 Edward Phillip Ballinger, Columbus  
 Robert Ivan Barrar, Dayton  
 Curtis Trent Baxter, Newark  
 Ralph Anthony Belfiglio, Jr., North Canton  
 Howard Ephraim Berger,  
 Minneapolis, Minn.  
 Barbara Ann Blackshear, Columbus  
 Robert Lynn Blanton, Columbus  
 Gordon Bishop Bockert, III, Powell  
 Jeremy William Brockwell, Cambridge  
 Phyllis Lee Brown, Wooster  
 Steven Allan Brown, Columbus  
 Candace Brownfield, Columbus  
 Charlotte Ellen Cerne, Cleveland  
 Judith Anne Chapman, Cincinnati  
 Lucia Ciurea, Columbus  
 Henry Howe Clapper, Canton  
 Alexandra Coe, Canal Winchester  
 William Clay Coe, III, Columbus  
 Teresa Lea Crowder, Columbus  
 Douglas Charles Custis, Columbus  
 Lawrence Scott Davis, Westerville  
 Elaine Marie Dayton, New Britain, Conn.  
 Judith Ellen Depp, Cleveland  
 Ken Brent Dillman, Aurora  
 Linda Lynn Dugger, Columbus  
 Howard Scott Essner, Akron  
 Randy George Farrar, Broadview Heights  
 Nicholas John Feison, Lima  
 Katherine Stuckey Felkey, Toledo  
 Roland Winthrop Fellows, Columbus  
 Nicholas Earl Felt, Toledo  
 Pamela Gail Finson, Cleveland Heights  
 Marcia Ann Fiorindo, Columbus  
 George Mario Fligieli, Parma  
 Jeffrey Alan Forman, Columbus  
 Melinda Jeanne Frank, Columbus  
 Susan Jean Friedlander, Columbus  
 Joseph Edward Fritz, Columbus  
 John Andrew Fulker, Troy  
 Vicky Lynn Gatz, Worthington  
 David Dewitt Gernhart, Reynoldsburg  
 †Donna Ann Gessell, Akron  
 Merifaith Rene Gillen, Worthington  
 Mark Henry Gooch, Fort Mitchell, Ky.  
 Pamela A. Goresch, Lancaster  
 Madeleine G. Green, Granville  
 Robert Douglas Gross, Richmond, Va.  
 Jean Ellen Gubbins, Parma Heights

† Also Certificate of Graduate Dental Hygienist,  
 College of Dentistry

‡ Also Bachelor of Science in Education, College of  
 Education



Debra Kaye Haggy, Columbus  
 David Thomas Hall, Columbus  
 Michael Phillip Halpin, Dayton  
 Carla Ann Hand, Cincinnati  
 Dennis Robinson Hartin,  
 Wading River, N. Y.  
 Kathie Irene Heisley, Columbus  
 Leonard James Helfrich, Whitehall  
 Jean Carol Helmick, Dayton  
 Patricia Ann Hess, Columbus  
 Mark Hamilton Huddy, Columbus  
 Russell Wayne Hughes, Marion  
 David Vaughn Hursey, Westerville  
 Sheila Marie Ives, Oberlin  
 Stephanie Marie Jackson, Columbus  
 Anthony Keith Johnson, Columbus  
 Lee Ann Johnson, Medina  
 Jodi Lynn Kantor, Columbus  
 John Steven Karlovec, Columbus  
 Carl Randall King, Galion  
 Mark Charles Koenig, Columbus  
 Linda Sue Kornblau, Hackensack, N. J.  
 Lawrence Russel Kream, Springfield, N. J.  
 John Joseph Kulewicz, Columbus  
 Robert Stephen Lake, Youngstown  
 Barbara Lynne Lapine, Columbus  
 †Barbara Ann Lash, Akron  
 Susan Maureen Laufersweiler, Dayton  
 Jacqueline Marie Lear, Crestline  
 Mark Lewis Levy, Columbus  
 Mary Lieb, Marion  
 Martin Christopher Little, Columbus  
 Eileen Roberta Litwin, Rochester, N. Y.  
 Daniel Scott Livchak, Lorain  
 Bonita Louise Logan, Columbus  
 Robert Murray Long, Columbus  
 Jane Ann Lonsinger, Newark, N. J.  
 Alicia Ruth Lopez, Piscataway, N. J.  
 Mary Frances Mackzum, Cincinnati  
 Randy Patrick Mahaffey, Cuyahoga Falls  
 Mary Anne Malatesta, Wapakoneta  
 Margaret Mary Malochleb, Niles, Ill.  
 Glenn Douglas Malone, Columbus  
 Donald Michael Manley, Columbus  
 Antonio Edward Manzi, Ashville  
 Stephen Arthur Marine, Bellefontaine  
 Rosalind Marie Marshall, Columbus  
 Harriet Edwina Martin, Cincinnati  
 Catherine Jo Maurer, St. Marys  
 Elaine Denise McCrate, Grove City  
 \*Ann Victoria McLeish, Cincinnati  
 †Martha Joyce McLeland, Stow  
 Donna Jean Meek, Columbus  
 Sanford Sheldon Merkin, Salem  
 Marilyn Miller, Columbus  
 Patricia Poole Minkler, Columbus  
 James Russell Moore, Columbus  
 Paul Adrian Morris, Columbus  
 Terry Alan Mouts, Lancaster  
 Robert Dillingham Moss, III, Worthington  
 Keith Allen Motschman, St. Paris  
 Thomas Michael Myers, Columbus  
 Cheryl Sue Nateman, Columbus  
 Wilbert Reuben Norman, Jr.,  
 Washington, D. C.  
 Sally Anne O'Brien, Columbus  
 Cassie Marian Oller, Bay Village  
 Teresa Lynn Orick, Cincinnati  
 Ronald Richard Ornsby, Parma Heights  
 James Eugene Pavlgo, Campbell  
 Darnell Clarence Perkins, Hubbard

Ginger Joy Perry, Clyde  
 Amy Theresa Peters, Columbus  
 Eliana Petrini, Lyndhurst  
 Jeffrey John Porczak, Fremont  
 Frank John Postlewaite, Columbus  
 Dirk Lee Rader, Ostrander  
 Edith Jane Rader, Columbus  
 Stephen Howard Rall, Reynoldsburg  
 Kathleen Pam Recroft, Columbus  
 Regina Hildebrand Reid, Zanesville  
 Clement Anthony Revetti, Youngstown  
 Carl William Rickrich, II, Newark  
 Carl Allen Rieffanaugh, Norristown, Pa.  
 Norene Joanna Riley, Columbus  
 Ronald William Roberts, Lyndhurst  
 Robbin Kyle Rogers, Wooster  
 Teresa Marie Romano, Malvern  
 V. Gail Rudd, Columbus  
 Timothy Scott Ryan, Newark  
 William Edward Samson, Cleveland Heights  
 Rosemarie Mae Scherley, Bellevue  
 Susan Bartelt Schnitzer,  
 Detroit Lakes, Minn.  
 Marianne Schweitzer, Columbus  
 Jeanne Ann Sheridan, Worthington  
 Laurie Takeno Shield, Columbus  
 David Conrad Showalter, Plain City  
 Kevin Mauno Showe, Columbus  
 Linda Susan Silber, Cincinnati  
 Marion Rebecca Simmons, Columbus  
 Richard Kevin Skews, Mt. Pleasant  
 Marsha Lynn Slaybaugh, Toledo  
 Christopher Glen Smith, Worthington  
 Lybrand Evans Smith-Mayes, Jr., Fairborn  
 Lawrence Robert Snouffer, Worthington  
 †Diane Lynette Speiker, Toledo  
 Mark Everett Spencer, Clyde  
 James Kurt Wallace Stanhope, Chillicothe  
 Evan Jay Stansbury, Columbus  
 Jacqueline Mary Stechschulte, Youngstown  
 Sharon Marie Stross, Cincinnati  
 Christopher Patrick Sullivan, Akron  
 Keith Allen Taylor, Loveland  
 Roger Wilson Templeton, Villanova, Pa.  
 Nancy Paradis Thompson, North Olmsted  
 William Keith Thompson, Lima  
 Alan Glenn Tippie, Massillon  
 JoAnn Van Schaik, Dayton  
 Daniel William Vogel, Cincinnati  
 James Michael Wagner, Marion  
 Randy Tad Waltemath, Lima  
 Steven Roger Wanamaker, Findlay  
 B.S.  
 Deborah Sharon Ward, Columbus  
 John Wilson Weis, Elmore  
 Dennis James Welsh, Eastlake  
 Mark Edward Wenden, Worthington  
 Toni Baumgartner Westphal, Columbus  
 Edward James Whiteman, Whitehall  
 Todd Cameron Wilkof, Canton  
 Robert James Wilson, Tiffin  
 Steven Robert Wilson, Columbus  
 Jeffrey Martin Wittmann, Columbus  
 Lewis Dean Woodruff, Delphos  
 Mark Clayton Ziercher, Franklin  
 David Alan Zieve, Columbus  
 Richard Lee Zureick, Cincinnati

## College of Mathematics and Physical Sciences

Dean: Colin B. B. Bull

### Bachelor of Arts

Two candidates

Glenn Philip Goodrich, Stamford, Conn.  
 Fred Kirkland Rohe, Columbus

### Bachelor of Science

Sixty-two candidates

Susan Margaret Alten, Lancaster  
 Herndon Wynn Anderson, Cleveland  
 Daniel Joseph Bendig, Findley Lake, N. Y.  
 Eric William Biefeld, Newark  
 William Gregory Boddy, Mt. Vernon  
 William Bradley, Bryan  
 John Rollo Bullmaster, Dayton  
 Raymond Robert Capestrain, Canton  
 Kim Wing Chan, Columbus  
 Po-Sau Chan, Columbus  
 Jeffrey David Chubb, Columbus  
 Steven Charles Connert, Dayton  
 Bruce Vincent Crist, Salineville  
 Timothy Caryl Croll, Maple Heights  
 Robert Scott Dawson, Painesville  
 Christina Marie Emerick, Columbus  
 John Frederick Feitshans, Dayton  
 John Cokeley Foster, Parkersburg, W. Va.  
 Joseph Michael Gray, Toledo  
 Mark Leroy Greenlee, Columbus  
 Charles Joseph Hickey, Parma  
 Blythe Lynn Hoyle, Tiffin  
 George John Huffman, Ashland  
 Glenn Curtis Hughes, II, Fayetteville, N. C.  
 Lawrence David Kimmel, Dayton  
 Steven Alan Kosciuk, Columbus  
 David Louis Lindner, Columbus  
 Ronald Lynn Mart, Cridersville  
 Jan Paul Mazgaj, Lorain  
 Robert Nelson McLeary, Greenview  
 Curt Alfred Monash, Beverly Hills, Calif.  
 David Michael Moore, Columbus  
 Mary Louise Newcomer, Lima  
 Fred Terry Oakes, Paris  
 Olusegun Adeniyi Ogunbona, Columbus  
 Robert John Opsines, Brook Park  
 Barry Paul, Pittsburgh, Pa.  
 John Melton Pryor, Versailles, Ky.  
 Mary Kathryn Purcell, Bellefontaine  
 Nancy Gail Ratterman, Worthington  
 Richard Duane Ray, Wellston  
 Ernest James Robinson, Akron  
 Snezna Petrusa Rogelj, Delaware  
 David Joseph Rozzo, Hubbard  
 John William Saultz, Enon  
 Radu Vasile Saveanu, Columbus

† Also Certificate of Graduate Dental Hygienist, College of Dentistry

\* Also Bachelor of Science in Education, College of Education

Steven Michael Schenk, Reynoldsburg  
 Donald Richard Schmaltz, Euclid  
 Patricia Louise Shannon,  
 Tinker A.F.B., Okla.  
 Wilbert Riley Skinner, Waterford  
 Richard Allen Sones, Kettering  
 Roderick Joseph Sorenson, Columbus  
 Kenneth Ray Spear, Columbus  
 James Edward Wendell, Hampton, Va.  
 Carl Joseph Wenning, Coldwater  
 Susan Jean Werts, Tipp City  
 Debra Ann Weston, New Paltz, N. Y.  
 Lawrence Scripps Wilkinson, Jr.,  
 Rumson, N. J.

Richard John Willke, Columbus  
 Iman Abdalla Yousry, Columbus  
 Rita Anne Zahradnik, Wickliffe

Donald Gene Brooks, McDermott  
 Janet Story Brown, Worthington  
 Robert David Brown, East Liverpool  
 Eloise Bryant, Cleveland  
 Louise Bryant, Cleveland  
 Mark Albert Burns, Westerville  
 Paul Lee Burson, Memphis, Tenn.  
 Rhonda Ellen Cahn, Beachwood  
 Richard Samuel Calcara, Columbus  
 Kathryn Yvonne Caldwell,  
 Cleveland Heights  
 John Charles Cardi, Columbus  
 Dominic Joseph Carfagna, Canton  
 Mark Jeffery Carpenter, Columbus  
 Catherine Elaine Carroll, Columbus  
 Thomas Ernest Carter, Columbus  
 Wayne Russell Carter, Springfield  
 Gerald Thomas Champion, Parma  
 Michael Raymond Anthony Chellis, Bexley  
 Marsha Anderson Chickey, Columbus  
 Catherine Leigh Clark, Columbus  
 Dwight Clark, Plain City

James Richard Clay, Columbus  
 Annie Robertson Cobbs, Columbus  
 Thomas Taft Cole, Columbus  
 Sara Jane Coleman, Shelby  
 Kim Leonard Coleridge, Canton  
 Christopher Carr Compson, Columbus  
 Rebecca Eileen Conklin, New Carlisle  
 David John Cox, Columbus

Ann Christine Cramer, Lancaster  
 William Joel Cross, Elyria  
 Tim Arnold Crouse, Marion  
 Christopher Michael Culley, Urbana  
 Scott Edward Daniels, Madison  
 John William Dannhausen, Delphos  
 Earle Wharton Davis, Fairborn  
 James Howard Devere, Hilliard  
 Joseph Neal Dinunzio, South Euclid  
 Laurel Jean Doerfler, Columbus  
 Daniel George Dohanich, Rochester, Pa.  
 Nancy Jeanne Dolan, Hamilton  
 Brian Edward Donahue,  
 Middleburg Heights

Wendy Bruner Doran, Columbus  
 Daniel Albert Dorsey, Columbus  
 Daniel Joseph Dow, Columbus  
 Susan Greta Downing, Ambler, Pa.  
 Rhonda Downs, Cincinnati  
 Jim O. Doycheff, Columbus  
 Marilyn Joan Doyle, Westerville  
 William Nicholas Dragomir, Beloit  
 James Henry Drzemiecki, Columbus  
 David Lee Duffey, Cuyahoga Falls  
 Eve Andrea Edwards,  
 Montreal, Que., Canada

†Denise Bender Eisen, Columbus  
 William Rodger Evans, Worthington  
 Bruce Thomas Falb, Tallmadge  
 Janis Lynn Felder, University Heights  
 Judith Marie Forbes, Bellville  
 Timothy Richard Fox, Canton  
 Harold Robert Freiheit, Columbus  
 Timothy Leonard Fries, Columbus  
 Judith Lynne Froikin, Dayton  
 Timothy Lee Fuller, Chillicothe  
 Donald Patrick Gagliardo, North Olmsted  
 Andrew Jamison Gallogly, Worthington  
 Patrick Lee Gassaway, Mansfield  
 Susan Nancy Gay, Versailles, Ind.

Bertha Marie Gerling, Columbus  
 Donald Eugene Goddard, Jr.,  
 Wheeling, W. Va.  
 Bruce Steven Goldstein, Toledo  
 Ronald David Grannan, Columbus  
 William Joseph Graves, Versailles  
 Deborah Lynn Gregory, Kettering  
 Karen Lynn Greth, Worthington  
 Charles Martin Grimm, Columbus  
 B.S.

William Arthur Grimm, III, Pataskala  
 Eliot William Gutow, Cleveland Heights  
 Frederick Robert Hackbarth, Dayton  
 John Michael Hahn, Akron  
 Virginia Marie Halabis, Newark  
 Edison Herbert Hall, East Cleveland  
 Ruthann Hall, Cutler  
 John Michael Hawkins, Columbus  
 Leann Heifner, Jamestown

Robin Elaine Henry, Columbus  
 James William Hicks, Akron  
 Robert Cedric Hicks, Jr., Columbus  
 Ronald Kim Hicks, Westerville  
 Melinda Jane Hill, Columbus  
 Mary Ann Hipp, Millersburg  
 Joanne Marie Hoepfer, Kettering  
 †Taryl Ann Holbrook, Washington C. H.

Scott David Holmes, Worthington  
 Ann Marie Holoviak, Enon  
 Howard Robert Horn, Bethel Park, Pa.  
 Diane Louise Howe, Berea  
 Sandra Suzanne Howell, Columbus  
 Jeri Sue Howison, Columbus  
 Keith Gordon Hughes, Wooster  
 Patrick David Hughes, Columbus  
 Chad Gregory Hume, Strongsville  
 Theresa Ann Hyde, Cincinnati  
 Manfred Heinz Ickert, Mansfield  
 Richard Wayne Innis, Dayton  
 Roger Allan Inscore, Columbus  
 Alan Paul Iovine, Columbus  
 Philip Jacobs, Lynbrook, N. Y.  
 †Mark John Jahnke, Cincinnati  
 Maureen Teresa Jennings, Columbus

Gary Lee Jensen, Columbus  
 Cathy Jo Jones, Circleville  
 Alfred James Judy, Jr., Columbus  
 Daniel Jefferson Kading, Gambier  
 John Edward Kabelin, Cleveland  
 Daniel Nicholas Kaiser, Columbus  
 Christopher Alan Kalis, Elyria  
 Mindy Kaplan, Hicksville, N. Y.

Dale Bruce Kaufman, University Heights  
 Karen Ann Kelly, Fairfield  
 Sandra Alyson Kelly, Montgomery  
 Mark Joseph Kisor, Portsmouth  
 Noreen Cheryl Kittrell, Youngstown  
 Frank Joseph Koch, Sandusky  
 B.A.

Walter Michael Kohowski, Youngstown  
 Carol Ann Kollstedt, Hamilton  
 Jean Ann Korver, West Liberty  
 Norris Farwell Krueger, Marysville  
 Corwin Lynn Kuhn, Columbus  
 Steven Edward Kunkler, Columbus  
 Kenneth Ronald LaFontaine, New Riegel  
 Beverlee Susan Lance, Mt. Sterling

‡ Also Certificate of Graduate Dental Hygienist,  
 College of Dentistry  
 \* Also Bachelor of Science in Education,  
 College of Education  
 † Also Master of Arts, Graduate School

## College of Social and Behavioral Sciences

Dean: Edward C. McDonagh

### Bachelor of Arts

Three hundred and thirty-eight candidates

Kevin Lee Adams, Willard  
 Theodora Elisabeth Adams, East Canton  
 Susan Lynne Agin, Beachwood  
 Richard Alan Aikins, Xenia  
 Bruce Robert Allworth,  
 Mississauga, Ont., Canada  
 Jennie Kay Arnold, Columbus  
 Robert Edwin Ashe, Akron  
 John James Ayres, Lima  
 Theresa Lynne Bach, Cincinnati  
 Deborah Ruth Bachand, Columbus  
 Stephen Alan Baise, South Point  
 Rex Leslie Bandede, Bowling Green  
 Marcia Abramson Barck, Columbus  
 Deborah Ann Bargetz, Akron  
 Edward Steven Basinger, Columbus  
 Wanda Fletcher Bays, Columbus  
 Allyne Esther Beach, Rawlings, Md.  
 Mark William Bean, Findlay  
 Katherine Serena Beaner, Toledo  
 Jack Kevin Beatley, Russells Point  
 John Charles Beck, Columbus  
 Thomas Edward Beck, Blacklick  
 David Edward Beller, Lorain  
 Roland Tim Bergen, Mt. Hope  
 Paul Benjamin Berk, Cleveland  
 Stephanie Bires, Lorain  
 Kathryn Diann Bland, Akron  
 James Bryan Blasutta, Columbus  
 Gregory Paul Bliman, Akron  
 Robert Wayne Blinn, Marion  
 Bonnie Marie Bodnar, Canton  
 Nikki Jo Borman, Marietta  
 Elizabeth Ann Boyd, New Carlisle  
 William Randolph Bristol, Conneaut  
 Walter Graham Bristol, Columbus  
 John Paul Brody, Columbus  
 Leanne Brody, Youngstown  
 Nancy Marie Broerman, Cincinnati

Harold Eugene Lare, Delaware  
 John Charles Lattin, Perrysburg  
 †Susan Margaret Leuhon,  
 Warrensville Heights  
 David Alan LaVoy, Maumee  
 Brian Walter Lewis, Mentor  
 Nina Lewis, Youngstown  
 Neil Mitchell Librock, Reno  
 Kevin Jeffrey Lindquist, Boulder, Colo.  
 Scott Longert, Cleveland  
 Virginia Tesar Lutz, Columbus  
 Charles Raymond Lyon, Broadview Heights  
 Francis Philip MacAdam, Crestline  
 Rachel Marie Machuga, Fairview Park  
 George Kane Macklin, Columbus  
 Pamela Park Malcolm, Westerville  
 Gregg Marx, Columbus  
 Paul Joseph Matthews, Columbus  
 Janet Eileen Matz, Sidney  
 Kurt Basquin McCurdy, Portsmouth  
 Thomas William McNamee, St. Marys  
 John Dennis McVey, Columbus  
 Vaughn Percy McWain, Columbus  
 Gary Lynn Meadows, Trotwood  
 Leslie Karen Mendelsohn, Columbus  
 Joni Jean Messenger, Caledonia  
 Melanie Meszaros, Northfield  
 Mark Joseph Mihok, Lorain  
 †Sally Joe Miley, Ottawa  
 David Michael Miller, Cincinnati  
 †Julie Ann Miller, Dayton  
 Marianne Miller, Cincinnati  
 Susan Maureen Miller, Columbus  
 David Howard Mirkin, Youngstown  
 Charles William Mitchell, Cleveland  
 Thomas David Moffitt, Columbus  
 Nathaniel Moller, Cincinnati  
 Patricia Ellen Molloy, Tucson, Ariz.  
 Donnie Moore, Dayton  
 Kyle Anne Morgan, Granville  
 Lawrence Michael Motyka, Ironton  
 David Eugene Mullet, Mansfield  
 Clark Louis Murray, Centerville  
 Paul Steven Nash, Columbus  
 Robert Brian Neeshan, Columbus  
 Thomas Vincent Neuzil, Columbus  
 \*Kevin Martin O'Hearn, Dayton  
 Shade Ojibe, Columbus  
 Patricia Marie O'Malley, Columbus  
 Susan Roberta Ophory, Clifton, N. J.  
 Thomas Templeton Orr, New Philadelphia  
 Michael David Owen, Cuyahoga Falls  
 Alan Blair Panke, Canton  
 Anthony Joseph Parker, Cincinnati  
 Paul Edward Pendrey, Fremont  
 James Michael Perلمان, Toledo  
 Karen Ann Pettito, Clarksburg, W. Va.  
 Rosemary Elaine Phelps, Fort Valley, Ga.  
 Jay Hunter Picking, Columbus  
 Frank Joseph Polivka, Wickliffe  
 Thomas Edward Ragusa, Columbus  
 Thomas Lee Ramsey, Ada  
 Paula Rasher, Cincinnati  
 Edward Aloysius Rebmann, Jr., Monroeville  
 Patricia Ann Reed, Columbus  
 Julianne Reeves, Atlanta, Ga.  
 Susan Mary Reynolds, Youngstown  
 Stephen Craig Richards, Columbus  
 Carol Ann Ries, Columbus  
 Ann Elizabeth Rieser, Kettering  
 August William Riess, Walpole, Mass.

Carl David Riggle, Columbus  
 James Arthur Riggle, Columbus  
 William Clay Riggs, Ashland, Ky.  
 Peter Stephen Rincich, Mansfield  
 †Jeffrey Blake Ritter, Columbus  
 Cicily Ruth Robinson, Worthington  
 †Deborah Ann Robinson, Vandalia  
 John Louis Roesch, Columbus  
 †Donna Sue Rogers, Warren  
 Debra Ruth Rosenblum, Shaker Heights  
 Nancy Jo Rosenfield, Columbus  
 Thomas Anthony Ruolo, Cleveland  
 Ronna Alene Sajowitz, Pittsburgh, Pa.  
 Debra Beth Scheinfeld,  
 East Rockaway, N. Y.  
 Anne Maria Schiavone, Cuyahoga Falls  
 Susan Schley, Worthington  
 Kenneth James Schnabel, Cleveland  
 Ellen Sue Schneiderman, Worthington  
 Roxanne Carol Schuster, Mansfield  
 Thomas Heinrich Schwarz, Lebanon  
 Janice Ellen Schwarz, Little Neck, N. Y.  
 John Mike Scott, Bexley  
 Diane Marie Seabold, Lagrange  
 Michael Ray Seely, Marion  
 Leonard Walter Sennish, Sandusky  
 †Patricia Jean Sercia, Brookfield  
 Terrance Joseph Shade, Mansfield  
 Ruth Johnson Shaffer, Columbus  
 Helene Fern Siegel, Cleveland Heights  
 Wayne Joseph Simon, Painesville  
 †Toni Jo Skaff, Toledo  
 Gregory Lee Skrobot, Reynoldsburg  
 Barry Leonard Smith, Clayton  
 Walter Kenneth Smith, Wickliffe  
 Harry Wakeman Smoot, II, South Point  
 Rick Lee Snider, Lancaster  
 Douglas Paul Snyder, Aurora  
 Robert David Spay, Warren  
 Salvatore Thomas Spalla, Dayton  
 Marc Gregory Speer, Columbus  
 William Francis Spires, Columbus  
 David Leroy Staats, Mt. Sterling  
 Lynn Elizabeth Stanley, Milford Center  
 William Stehura, Broadview Heights  
 Frank Cyril Stein, Columbus  
 Craig J. Steinebrey, Mansfield  
 Danny James Stergiou,  
 Downsview, Ont., Canada  
 Robert Philip Stoker, Warren  
 Linda Fay Stone, Beachwood  
 Steven Lewis Story, Pomeroy  
 Melanie Jean Stright, Athens  
 Donna Jean Stuckert, Columbus  
 B.S.H.E.  
 Carl Alan Sussman, South Euclid  
 Marc Leonard Swartz, Marion  
 Mary Ann Taylor, Columbus  
 †Scott Robert Taylor, Bay Village  
 Paul Steven Tencza, Worthington  
 Susyn Jayne Thole, Worthington  
 Ann Marie Throckmorton, Worthington  
 Peter Allen Tomasek, Warrensville Heights  
 Kevin Reed Trask, Bay Village  
 Gary Alan Traver, Columbus  
 Marilyn Lois Troppe, Akron  
 Carole Lynn Troy, Union, N. J.  
 †Jeanne Kay Tubaugh, Cadiz  
 Patricia Ann Turner, Dayton  
 Patricia Ann Vigneaux, Avon  
 Leslie Viragh, Jr., Lakewood  
 †Barbara Jean Vorst, Columbus Grove

David Earl Vrabel, Mansfield  
 Kathleen Ellen Wade, Eastlake  
 Philip Mathew Wade, Columbus  
 Jay Earl Wagner, III, Columbus  
 \*John Joseph Waibel, Columbus  
 Susan Marie Waldschmidt, Columbus  
 Neal Robert Waring, Casstown  
 Martha Ann Ward, Chagrin Falls  
 Richard Kenneth Wear, Portsmouth  
 James Michael Weckesser, Wooster  
 Cathy Ann Weis, Wapakoneta  
 Don Lowell Wessels, Columbus  
 Linda Lee Wetherbee, Columbus  
 Patricia Antoinette Wetmore, Canfield  
 Linda Carol White, Westerville  
 Barbara Patrice Wickson,  
 Waterloo, Belgium  
 Paul Roger Wigton, Perrysville  
 Jacqueline Ann Willey, Pittsburgh, Pa.  
 Terri Lynn Willford, Zanesville  
 Janet Marie Wolfe, Pickerington  
 Sally Jane Womer, Brecksville  
 Rebecca Jo Wong, Los Angeles, Calif.  
 Glenn Thomas Worley, Newton Falls  
 Terry Eugene Worth, Granville  
 †Myra Nettie Wright, Rittman  
 Brenda Sue Yingling, Vero Beach, Fla.  
 Amanda Marie Young, Lucas  
 Regis Damian Yungfleisch, Columbus  
 Mary Ann Zarzar, Lima  
 Marie Joan Zimmerman, Columbus

## Bachelor of Science

Fifty-five candidates

Christine Kay Adams, Fairborn  
 Jonna Marie Antczak, Perth Amboy, N. J.  
 Robert Terrence Ault, Claridon  
 John Edward Ausnehmer, Youngstown  
 Steven Lynn Ayers, Lima  
 Patricia Ann Barber, St. Marys  
 Andrea Lynn Basalla, Brooklyn  
 Michael Louis Bass, Akron  
 †David Fairfax Bayard, Madison, N. J.  
 Leslie Jean Blount, Columbus  
 Melanie Gale Cantor, Baldwin, N. Y.  
 Kevin Michael Carter, Painesville  
 Mark Florian Cesa, Columbus  
 James Martin Daum, Wapakoneta  
 James Barry Dixon, Columbus  
 Carmen Yolanda Dorris, Greenville  
 Nancy Jo Dziak, Lakeside  
 Melanie Jane Eymann, Lancaster  
 Candace Anne French, Kettering  
 Mona Sue Goldfine, Freehold, N. J.  
 Arnold Jay Greenberg, Cleveland  
 Roberta Lockwood Haddad, Waverly, N. Y.  
 Deborah Sue Heller, Akron  
 Reginald Austin Herrer, III,  
 New York, N. Y.  
 Michael Jay Hesterberg, Cincinnati  
 David Franklin Howarth,  
 Highland Park, N. J.  
 Robert Scott Ingraham, Fredericktown  
 Brenda Bowen Johnson, Columbus

† Also Certificate of Graduate Dental Hygienist,  
 College of Dentistry  
 \* Also Bachelor of Science in Education, College of  
 Education  
 ‡ Also Master of Arts, Graduate School

James Joseph Johnson, McDonald  
 James Alan Kaiser, Columbus  
 Jeraldine Kavanaugh, Ironton  
 Bruce Alan King, Amherst  
 Kimberly Katherine Kovach, Sebring  
 Deborah Lenore Krause, Mayfield Heights  
 Gregory George Krontiris, Windham  
 David Edward Lammermeier, Parma  
 Lucinda Laird Long, Tipp City  
 Maria Christina Loretta, Oxford  
 Robert Michael Margolis,  
 University Heights  
 Dennis Andrew Marikis, Findlay  
 Steven Lee McBride, Euclid  
 Marshall McHenry, Cincinnati  
 Stephen George Mintos, Columbus  
 David Leslie Patten, Columbus  
 Richard Allison Rennie, Steubenville  
 Stephen J. Roife, Columbus  
 Donald Nicholas Starr, Lima  
 David Wayne Stelzer, Columbus  
 Michael Joseph Tenhundfeld, Cincinnati  
 Craig Smith Thompson, Alexandria  
 Gary John Volosin, Poland  
 Debra Lynn Wascher, Downers Grove, Ill.  
 Thomas Lee Wood, Columbus  
 Bruce Jay Yovits, Columbus  
 Eugene August Zumberge, St. Henry

#### Bachelor of Arts in Journalism

Seventy-seven candidates

Georgia Lee Bay, Town and Country, Mo.  
 Peter Berman, Forest Hills, N. Y.  
 Ray Harlan Booth, Kimbolton  
 Vanessa Denese Bridgers,  
 Virginia Beach, Va.  
 William Matthews Britt, Jr., Baltimore, Md.  
 Paula Sue Bucceri, Hebron  
 Margaret Anne Camp, Canton  
 Crystal Carmel Campbell, Whitehall  
 Charles Jay Caton, East Liverpool  
 Blair Carpenter Charles, Columbus  
 Mitchell Alan Chester, Lyndhurst  
 Karen Jill Christy, Columbus  
 Connie Sue Craine, Xenia  
 Barrie Matusoff Denmark, Columbus  
 Cynthia Norfleet Donaldson, Springfield  
 Karen King Doyle, Westerville  
 Dana Lee Dunn, Wilmington  
 Ronald Alan Emler, Wooster  
 Richard Carl Firstman, Massapequa, N. Y.  
 Sarah Jeanne Fisher, Toledo  
 Sandra Jean Fitch, Bellaire  
 Gordon Tearle Franklin, Lancaster  
 Thomas George Grote, Norwood  
 James Geoffrey Hannah, Troy  
 Susan Marie Hannon, Carrollton  
 Brian Kent Harkness, Columbus  
 Timothy Richard Herdt, Blacklick  
 Dennis Allan Hirsh, Lyndhurst  
 Lisa Walls Holstein, Columbus  
 James Robert Ingraham, Eastlake  
 Raymond Edward Irion, Reynoldsburg  
 Kathryn Lynn Jelepis, Euclid  
 Lori Anne Kazmerzak, Columbus  
 Richard Anderson Kelly, Middleport  
 Kendra Louise Lacey, Rocky River

Andrea L. Lazarony, Sandusky  
 Steven Stocker Lee, Columbus  
 Albert Ilaymond Lewis, III, Leetonia  
 Thomas Francis Loftus, Norwood  
 James Walter Ludwick, North Bend  
 William Bluford Luke, Massillon  
 Joyce A. Malinak, Parma  
 Stephen John Malley, Huntsville  
 Susan Peden Matthews, Cuyahoga Falls  
 Mark Allen Mills, Norwalk  
 James Patrick Mitchell, Newark  
 Sally Ann Mosier, Columbus  
 Lisa Ann Nedeff, Dayton  
 Tim Vladimir Nicoloff, Lorain  
 David Jonathan Patton, Mansfield  
 Marquette Peavy, Columbus  
 Gary Lee Pietras, Columbiana  
 Randy Donald Pope, Dayton  
 Charles Patrick Priest, Jr., Columbus  
 Catherine Ann Rea, Columbus  
 Rachelle Ann Rohal, Parma  
 Henry Andrew Saller, Columbus  
 Rotimi Oladipo Salu, Lagos, Nigeria  
 Frank Scott Sawyer, Mansfield  
 Sheryl Ann Smith, Columbus  
 Susan Adele Soler, Columbus  
 Leslie Robert Spiegel, Dayton  
 Matt Charles Staley, Bluffton  
 Richard Matthew Steele, Medina  
 Harold Edward Stevens, Jr., Columbus  
 Leland Eugene Stratton, West Jefferson  
 Nancy Jo Urban, Mentor  
 Nancy Margaret Valent, Parma  
 Kristal Ann Vannice, Chagrin Falls  
 James John Wallace, Olmsted Falls  
 Marilyn Esther Ward, Columbus  
 Kathleen Marie Wesley, Columbus  
 William Thomas Whitaker, Worthington  
 Carol Higham White, London  
 Lorraine Wielinski, Toledo  
 Jeffrey Marc Yapalater, Columbus  
 James Edward Yavorcik, Youngstown

## College of Administrative Science

Dean: Edward H. Bowman

### Bachelor of Science in Business Administration

Three hundred and seventy-two candidates

Joyce Abramowitz, Dayton  
 William Keith Acomb, Cincinnati  
 Rebecca Lee Adams, Cleveland  
 David Dwayne Adamson, East Liverpool  
 Gregory D. Alexander, Westerville  
 James Fred Ailtzer, Jr., Brecksville  
 George William Anderson, II, Columbus  
 John Lawrence Apple, Dayton  
 Jeffrey Lloyd Arbaugh, Steubenville  
 Jeffrey Lee Arnold, West Jefferson  
 David Charles Atkinson, Cincinnati  
 John Franklin Auer, Massillon  
 Richard Henry Ault, Lorain  
 André LaRue Austin, Columbus  
 Gregory Frank Averill, Cuyahoga Falls  
 Stephen Charles Baldrige, Ironton  
 William George Bartl, Cincinnati  
 Brian Dale Baschnagel, Carlisle, Pa.  
 David Ernest Bechtol, Coshocton  
 Julie Ann Beckwith, Toledo  
 Jeffrey David Bell, Columbus  
 Anthony Paul Beltich, Barberton  
 Howard Charles Bernstein, Colonia, N. J.  
 Lee Keller Bernstein, Greensburg, Pa.  
 Andrew Michael Beyers, Youngstown  
 Edmund Biasella, Jr., Canton  
 Deborah Lynn Bigler, Baltimore  
 Gregory John Bikis, Canton  
 Michael Anthony Bisutti, Columbus  
 Linda Bizzarri, Cincinnati  
 Bart Bruce Black, Heath  
 Robert Mark Blau, Long Beach, N. Y.  
 Mark Robert Blazek, Warren  
 Steven Scott Bleckner, Toledo  
 Stephen Ira Bogart, South Euclid  
 Kevin Wayne Bolds, Dayton  
 Alan Lee Bolen, Columbus  
 Sue Ellen Bonvechio, Wainwright  
 Alden Daniel Borton, West Unity  
 Barry James Bostic, Columbus  
 Curtis Lee Bostwick, Bay Village  
 Hollis Adele Bowden, Mentor  
 James Allen Bowman, Reynoldsburg  
 Ralph Ed Boyer, Jr., Lima  
 Diane Van Boyles, Sylvania  
 James Arthur Brattain, Columbus  
 Robert Allen Braun, Toledo  
 Mark James Brewer, Columbus  
 Gary Michael Brierley, Elyria  
 Mary Kathryn Brown, Lima  
 James Michael Bruchs, Youngstown  
 Craig Nolan Campbell, Orlando, Fla.  
 James Wallace Campbell, North Olmsted  
 Ronald Howard Carmin, Lakeview  
 Alan Ying-Bong Chan, Hong Kong  
 Angelo Joseph Chiazza, Lima  
 Samuel Allan Chickerella, Columbus  
 Larry Paul Christopher, Lorain  
 Martin James Cinadr, III, Brecksville

Thomas Lee Cochenour, Marblehead  
 Theodore Amos Coe, Columbus  
 Stuart Cohen, Plainview, N. Y.  
 Gerry Douglas Cook, Steubenville  
 Curtis Bryan Copeland, Steubenville  
 Mark Don Copeland, Cleveland  
 Robert Edward Cowee, Columbus  
 John Roy Cowin, Scarsdale, N. Y.  
 Kathleen Ann Crane, Fairview Park  
 Randall Lynn Craycraft, Columbus  
 John David Critser, Columbus  
 Katherine Kelly Culbersen, Grove City  
 Michael Carl Dahler, North Canton  
 Adrian Burnett Dalton, Marietta  
 Kenneth Stanley Daniszewski, Centerville  
 Brian Joseph Darah, Toledo  
 Mark Alan Darah, Toledo  
 Gary Alan David, Dayton  
 Michael Allan Dean, Keene  
 Donna Clare DeGrand, Troy  
 Richard William Deibel, Columbus  
 Mark Alan DeLong, Adelphi  
 Damian Anthony Desch, Dayton  
 Ronald Denis Devine, North Olmsted  
 David Morgan Dewey, Columbus  
 William Morgan Ditty, Jr., Grove City  
 Martin Patrick Dominique, Archbold  
 Eric Anthony Donofrio, Dayton  
 Gary T. Dunbar, Marysville  
 William David Duran, Columbus  
 Victor Eugene Dutro, Zanesville  
 Byron Dyke, Great Falls, Va.  
 Roger Allen Ebert, Cardington  
 James Leonard Echeberry, Republic  
 James Byron Eddy, Kinnelon, N. J.  
 Steve J Edwards, Grove City  
 Jerry Raymond Ehlers, Grove City  
 Bruce Louis Elia, Cliffside Park, N. J.  
 Toby Harold Elsass, Wapakoneta  
 Richard Neil Emmelhainz, Grove City  
 William Lee Farel, Columbus  
 Karen Keating Fay, Lakewood  
 Carl Anthony Feldkircher, Westlake  
 Jerry Fiala, South Euclid  
 Stephen Michael Fino, Columbus  
 Archie Carlisle Fisher, Columbus  
 Christopher Paul Fisher, Mansfield  
 Barry Lynn Fogle, Mt. Vernon  
 Bruce Byron Foltz, Pickerington  
 Larry Kent Ford, Massillon  
 Cheryl Bryant Foster, Worthington  
 Anne Marie Frayne, Springfield  
 Frank Lynn Fredericks, Cortland  
 David Scott Freeh, North Olmsted  
 Gregory Morley Freitag, Columbus  
 Anna Kosorotoff Fries, Columbus  
 Daniel Ray Froehlich, Barnesville  
 Cheryl Lynn Ann Fry, Columbus  
 Lori Anna Gagliardo, Columbus  
 Jeffrey Len Gaumer, Mt. Vernon  
 Darryl Stanley Geawax, Campbell  
 Steven Ray Gerber, Baltic  
 Douglas Dean Gerhart, Mansfield  
 Margot Freeman Geyer, Norwich  
 James Allen Giebel, Cincinnati  
 Gary Victor Girard, Reynoldsburg  
 John Henry Graham, Columbus  
 Thomas Joseph Gramlich, Columbus  
 Gary Eugene Hadsell, Lima  
 Gregory Lynn Hallberg, Fostoria  
 Roy Robert Halsey, Middletown  
 Donald Richard Hamilton, Pittsburgh, Pa.  
 Gary Edward Hamilton, Zanesville  
 James Randall Hartmeyer, Zanesville  
 John Gee Haskins, West Jefferson  
 Richard Lee Heidenescher, Delphos  
 Wayne John Hendricks, Orient  
 Mark Alan Herman, Napoleon  
 James Anthony Hess, Columbus  
 Lou Ann Hess, Columbus  
 Steven Douglas Hickman, Columbus  
 Lloyd William High, Warren  
 James Duane Hill, Canton  
 Michael Lee Hiller, Columbus  
 Terrie Lynn Hoelzer, Sandusky  
 Douglas Eugene Hoersten, Sidney  
 Sondra Spraley Hollenbeck, Dayton  
 Calvin Douglas Holm, Attica  
 Martha Jean Holmberg, Parma  
 Richard Allen Hopkins, Brecksville  
 John David Horne, Maple Heights  
 Paul Bernard Horstman, Cloverdale  
 Michele Diane Hotz, Cleveland  
 Ann Moyer Hunt, Cleveland  
 Christine Anne Iafelice, Wadsworth  
 Gregory Jack Ihde, Oak Harbor  
 John Kenneth Israel,  
     Kitchener, Ont., Canada  
 Peter John Janotka, Warrensville  
 Ralph Leroy Javens, Jr., Dover  
 David Edward Jay, Canton  
 Timothy Jay Jirles, Cambridge  
 Jeffrey Guy Johnson, Springfield  
 Lawrence Atlee Johnson, Hudson  
 Theodore Wesley Johnson, Urbancrest  
 William Leslie Johnston, Steubenville  
 David Andrew Jolley, Columbus  
 Robert Alexander Jones, Jr., Circleville  
 Steve Richard Jones, Circleville  
 William Leo Jones, Jr., Sylvania  
 Robert O. Joseph, Zanesville  
 Rochelle Benay Kaplan, Trotwood  
 Randolph Stewart Katz, Toledo  
 Michael Harry Keenan, Hilliard  
 Michael Kiel, Union, N. J.  
 Robert Alan Kington, Columbus  
 Thomas Max Klaban, Cincinnati  
 Larry Leroy Klaus, Delphos  
 George Henry Klay, Lima  
 William Peter Kleven, Columbus  
 Bruce Allen Kluender, North Royalton  
 Mark Steven Knouff, Worthington  
 Daniel David Knowlton, III., Cambridge  
 Paul Douglas Kohler, Toledo  
 Michael Eugene Kohr, Miamisburg  
 Maryetta Bartie Kollmer, Columbus  
 James Edward Korman, Wilmington  
 John Spencer Korting, Stockport  
 Catherine Louise Kosydar, Columbus  
 Scott Michael Krawec, Wooster  
 Scott Michael Krieg, South Amherst  
 Steven Frederick Lammers, Blue Island, Ill.  
 Douglas William Laser, Mansfield  
 Clifford Charles Lash, Akron  
 Phillip Lynn Lawless, Galloway  
 Edward Alan Lebowitz, Dayton  
 Emery Robert Lee, Maysville, Ky.  
 Mark Lehrner, Dayton  
 Robert Keith Leibee, Brunswick  
 Edward Adolf Leinasars, Springfield  
 Joseph Roehm Leonard, Mansfield  
 Michael Joe Leveskas, Hinckley  
 Gary Alan Lewis, Enid  
     B.A. (Phillips University)  
 Mark Salvatore Lipari, Akron  
 John Evan Lloyd, Columbus  
 John Rodney Loesch, Mansfield  
 Karen Marie Losey, Wilmington  
 Joseph Allen Mallory, Tallmadge  
 Charles Joseph Manofsky, Warren  
 Kenneth Robert Marsh, University Heights  
 Albert James Marteny, Alliance  
 Michael Alan Massaro, Wooster  
 Charles Steven Massey, Ironton  
 Mark Evan Mastrangelo, Willoughby  
 Paul David McAllister, Delaware  
 John William McCain, Lima  
 Terrence Joseph McCann, Gahanna  
 Thomas Jerald McCann, Columbus  
 Michael Earl McCaw, Cincinnati  
 Charles Stanton McClure, Loudounville  
 Mark Anthony McClurg, Versailles  
 James Franklin McConnell, Coshocton  
 Gregory Lee McFall, Cortland  
 Brian Wallace McKendry, North Olmsted  
 Richard Herbert McKie, Springfield  
 Stephen Thomas McLane, Columbus  
 Kim Mehalko, Mesa, Ariz.  
 Maryann Theresa Mlakar, Lorain  
 Gregory Joseph Molner, Medina  
 Mark Edward Moore, Columbus  
 Eric Carl Mosley, Columbus  
 Joel Eckles Mounts, Warren  
 Joseph Brian Mullen, Youngstown  
 Andrew Paul Musché, Lexington  
 Katherine Ann Nalodka, Toledo  
 Reyaz Hassan Nasser, London, England  
 Jane Ann Noonan, Delphos  
 John Wesley Northrup, Columbus  
 Lionel Louis Nowell, III, Columbus  
 Monica Mary O'Breza, Euclid  
 James John O'Brien, Worthington  
 Armando Oceano, Madrid, Spain  
 Bruce Michael Orahoske, Cambridge  
 Henry John Orlik, Sidney  
 Leslie Larence Park, Orlando, Fla.  
 Purna Lynn Parsons, Dayton  
 Craig Lee Paulin, Ashland  
 Joseph Mark Paxton, Caldwell  
 Daniel Lowell Peach, Columbus  
 Sanford Kenneth Pearl, Madison, N. J.  
 Marilyn Penn, Circleville  
 John Mark Penrod, Columbus  
 Joseph Michael Petitto, Lyndhurst  
 John Michael Phillippi, Orwell  
 Mark Edward Phillips, Steubenville  
 Loren Anthony Popio, Poland  
 Kenneth Wayne Porter, Portsmouth  
 Murray Lewis Post, Youngstown  
 Jacquelyn Siebold Poston, Worthington  
 Michael Stanley Proctor, Worthington  
 William Raymond Proctor, Smithville  
 Daniel Francis Racher, Columbus  
 James Thomas Radigan, Brecksville  
 Mary Theresa Raleigh, Worthington  
 Duane Haralson Rameuser, Columbus  
 Bryan Ellis Rapp, Washington C. H.  
 Jeffrey George Rassic, Avon Lake  
 Peter Marc Rauchenstein, Gahanna  
 James Allen Reinhard, Galloway  
 Jeffrey Lee Reser, Bucyrus

Andrew Louis Rich, Westbury, N. Y.  
Malcolm Corby Rich, Dayton  
Sherrie Louise Ridenour, Springfield  
Bradley Hugh Ridge, Richwood  
Lawrence Allan Riehl, Middleburg Heights  
James Arthur Rigby, Painesville  
Fred Jerome Rinehart, Fremont  
H. Kent Risner, Jr., Bellefontaine  
Keith Lee Robinson, Ridgeway  
William Daniel Rogers, Carrollton  
Garry Dale Rooney, Dayton  
Susan Helene Rosenberg, Pittsburgh, Pa.  
Mary Eileen Ross, Springfield  
Joseph William Ruman, Hudson  
Robert William Rush, Coshocton  
Rickey Allen Ryland, Loudonville  
Daniel George Sakas, Baltimore  
James Philip Samp, Cincinnati  
Gary Kevin Scherer, Circleville  
David Eric Schnoerr,

Panama City, Republic of Panama  
Mark Stephen Schnoerr,

Panama City, Republic of Panama  
William Howard Schodorf, Columbus  
David Michael Scott, Findlay  
Diane Leslie Searson, Crown Point, Ind.  
Mark Anthony Segna, Columbus  
Kenneth Allen Sexton, Maple Heights  
John David Shannon, III, Aliquippa, Pa.  
Robert Eugene Suckles, Wintersville  
Charles Michael Smith, Mt. Vernon  
James Scott Smith, Portsmouth  
David Michael Snow, Coshocton  
Richard A. Snyder, South Euclid  
Jack Larry Solomon, Union, N. J.  
John David Spall, Fairview Park  
Randall Robert Spillers, Sidney  
Gregory Bruce Spitzer, Xenia  
Fredric Charles Spurck, Galion  
Charles Allen Stanton, Findlay  
Thomas Louis Steedman, Toronto  
Michael Ray Steen, Morral  
Joseph Thomas Steiger, Solon  
Michael John Stevenson, Euclid  
Thomas Johnson Stickrath, Marietta  
Mark Dennis Stoimenoff,  
Battle Creek, Mich.

Anthony Michael Stollings, Columbus  
Elise Heisz Stone, Mansfield  
George Edward Stone, Jr., Newark  
Stephan J. Stoyak, Columbus  
Richard Edgar Strickler, Grove City  
Christopher Brent Strombotne, Wayne, N. J.  
Thomas James Studer, Shelby  
Nageeb Abdallah Suleiman, Kinsman  
Terry William Sullivan, Youngstown  
Larry Kevin Swank, Bellville  
James Patrick Sweeney, Westlake  
Steve William Swirsky, Broadview Heights  
Robert Bradley Tallman, Cincinnati  
Thomas Clinton Taylor, Lancaster  
Darryll Wayne Terrell, Rochester, N. Y.  
Val Porschet Thogmartin, Richwood  
Michael Wayne Thomas,  
Stone Mountain, Ga.  
Terry Lee Thomas, Columbus  
David Kevin Tilley, Columbus  
Evan Louis Totten, Ashtabula  
Candace Mengle Trainer, Cincinnati  
Jack Emerson Troutwine, Greenville

Patrick Allen Turner, Columbus  
Dale Edward Ullman, Lower Salem  
Harry McWalter Valentine, Elyria  
Dennis Anthony Vanden Eynden, Columbus  
Nicholas Glen Venetis, Cleveland  
Clarence Edward Vermillion, Medway  
Stephanie Lucille Vey, Worthington  
Darrell Alan Vincent, Cleveland Heights  
Daniel Lyman Wander, Columbus  
Justin Jay Watling, Cleveland  
John Arthur Watts, Akron  
Don Paul Weiher, Toledo  
Frederick Scott Wehmiller, Fairview Park  
Charles Richard Wemlinger, Columbus  
Gail Eileen Wenger, Centerville  
Daniel Whistler Wertz, Clayton  
James Jay Westlake, Alexandria, Va.  
James Randall Wheeler, Toledo  
Jeffrey Hayward Whitesell, Riverton, N. J.  
Thomas Richard Wilhelm, Wellington  
Lynn Edward Williams, Columbus  
Robert Donald Williams, Ramsey, N. J.  
Michael George Winston, Canton  
Barbara Ann Wisler, Galion  
Thomas John Wonderly, Erie, Pa.  
Carolyn Doreen Wong,  
Kingston, Jamaica, W. I.

David Charles Wood, Columbus  
Susan Jamie Woolf, Columbus  
Wayne Rudolph Yankovich, Tacoma, Wash.  
Gai Soo Yun, Athens  
B. of Commerce (Dongguk University,  
Korea)

Jeffrey David Zane, Columbus  
Michael John Zhierajewski, Toledo  
Francis James Zeberko, Bay Village  
Grace Eve Zimmerman, Dayton  
Gregory Richard Zinser, London  
Mark Anthony Zorko, Olmsted Falls  
Terry Lynn Zuber, Chillicothe  
Joseph R. Zvosec, Jr., Lorain

#### School of Social Work

#### Bachelor of Science in Social Welfare

Twenty-two candidates

Bonnie Jo Adkins, Marietta  
Susan Joy Blank, Columbus  
Connie Marie Brown, Dover  
Sandra Theresa Brown, Cleveland  
Deborah Ellen Cohen, Orangeburg, N. Y.  
Van Ness DeCree, Warren  
Maxine Beth Fellenbaum, Beachwood  
Jo Ellen Ford, Columbus  
Josephus Allen Foster, Columbus  
Susan Gelb, Maitland, Fla.  
Kim Marie Hill, Sandusky  
Sylvia Verlene McClellan, Toledo  
James Thomas Meadows, Bridgeport  
Amy Hope Rector, Columbus  
Dolores Frost Repp, Columbus  
Deborah Rosenhein, Franklin Square, N. Y.  
Sherrie Lynn Tarbill, New Holland  
Charles Donald Weed, Columbus  
Suzanne Wittenmyer, Portsmouth  
Sharon Kay Yarnell, Wooster  
Adele Joy Yessenow, Lima  
Robin Beth Zelinger, Norfolk, Va.

---

## College of Agriculture and Home Economics

Dean: Roy M. Kottman

#### Bachelor of Science in Agriculture

Two hundred and sixty-nine candidates

Stephen Paul Abfall, Avon  
Paul James Ackerman, Oregon  
John Daniel Adamson, Homerville  
William Christopher Albrecht, III,  
Columbus  
William Keith Allsop, South Amherst  
Donald Wilson Archer, Circleville  
Donald Paul Avey, Xenia  
Jeanne Leslie Back, Columbus  
Edgar Louis Baker, Springfield  
Gary Alan Barath, Middlefield  
Mark Samuel Barkhurst, Worthington  
Paul Timothy Barney, Waynesville  
Timothy Richard Barnhart, Tipp City  
Wayne Mark Bartolacci, Fairless Hills, Pa.  
James Bass, Columbus  
Leonard Ray Battig, West Salem  
Steven John Beard, Whitehall  
B.S.Nat.Res.

Steven George Beckett, Hamilton  
Gary Clifford Beegle, Wooster  
Devin Everett Bell, Columbus  
Charles Edward Bern, Northfield  
Diana Perez Bernhardt, Wooster  
Mary Louise Besselman, Warren  
Dan Michael Best, Lima  
Wesley Mason Blum, Laurelville  
Gregory Troy Boone, Mentor  
David Ralph Brate, Hamilton  
Robert Renwyck Brenneman, Orrville  
John Francis Brodman, Carey  
Gregory Donald Brysac, Loudonville  
Nancy Ann Bucher, Whitehouse  
James Ronald Bugansky, Columbus  
James Ellen Burns, Mansfield  
Michael Joseph Byrne, Columbus  
Deborah Anne Cameron, Warrensville Twp.  
Jeffrey Clark Canfield, Fayette  
James Anthony Cannatti, Jr., Boardman  
Eric Gunnar Carlson, Chesterland  
Margaret Marie Cashell, Mansfield  
Edwin Byron Chandler, Cincinnati  
Brett Allen Chase, Eugene, Ore.  
Craig Allan Clouse, Tiffin  
Alvin Max Cohodas, Allentown, Pa.  
Kevin Paul Coleman, Stow  
Terrence Waldon Colopy, Zanesville  
Laura Ann Conman, Wolcott, N. Y.  
Michael Alan Condit, Delaware  
James Allen Connelly, Edgerton  
Mark Dennis Cook, East Sparta  
Robert Michael Cornuelle, Cincinnati  
John Alexander Cowden, Dayton  
B.A. (Trinity University)  
Thomas Michael Coyle, Kettering  
Blaine Alan Crosser, Hanoverton  
Susan Findley Curd, North Olmsted  
Michael John Dammeyer, St. Marys  
Louis George Damschroder, Gibsonburg  
Kenneth Dale Davis, Leesburg

Mary Jane Dennis, Columbus  
 Daniel Thomas DePalma, Amherst  
 Terry Diefenbacher, Hamilton  
 Douglas Gerard Dietrich, Reading  
 James Ralston Dillon, Columbiana  
 Patrick Joseph Drake, Toledo  
 George Wesley Duer, Fletcher  
 Ricky DeWayne Dunson, Kenton  
 Larry Lee Duvall, Chillicothe  
 Bertrand Daniel Eardly, Dayton  
 Randy David Early, Lima  
 Jeffrey Alan Easterday, Delaware  
 Larry Eugene Ellinger, Rockbridge  
 David Charles Engle, Gambier  
 Mary Jo Farley, Columbus  
 Mike Robert Fleagle, St. Marys  
 Neal Victor Fledderjohann, St. Marys  
 Jack Albert Florkey, Lewisburg  
 Faith Carole Flower, Oxford  
 Donald Ray Fogle, Farmersville  
 Barbara Jean Foraker, Dover  
 James Andrew Ford, Jr., Xenia  
 Clair Eugene Fralick, Convoy  
 Richard Michael Gehring, Maple Heights  
 Teresa Leigh Gibson, Columbus  
 Elisabeth Jeanne Giedt, Troy  
 Jerome Mark Gigliotti, Jr., Vermilion  
 Roger Gordon Globig, Madison  
 Bruce Harry Goodell, Mantua  
 Kathleen Ann Goodwin, Berea  
 Lisa Joan Gorretta, Chagrin Falls  
 Laurie Helen Greene, Fairborn  
 Roger Dean Groat, Waldo  
 Anthony Clement Grusenmeyer, Dayton  
 Paul Gregory Haas, Bainbridge  
 Lewis Ted Hafer, LaRue  
 Douglas Carl Hahn, East Canton  
 Thomas Charles Harmon, Wellington  
 Edward Allan Harp, Barberton  
 Douglas Edward Hatfield, Lucasville  
 Jeffrey Robert Hauserman, Mansfield  
 Jerald David Hawkey, Arcanum  
 Lawrence Maxwell Hayes, Groveport  
 Roy Carl Hellman, Milltown, N. J.  
 Gregory Darl Hendricks, Oberlin  
 Douglas Alan Henry, Wilmington  
 E. Thomas Henthorne, Frankfort  
 Frederick John Herchline, Columbus  
 Gerald Joseph Herr, Toledo  
 Dan Seymour Hickman, Reynoldsburg  
 James Richard Holland, Van Wert  
 Rodney Lynn Holt, Lima  
 Roy Alan Holter, Pomeroy  
 Christopher Paul Horn, Dayton  
 Gary Lee Horrisberger, Millersburg  
 David Lee Housholder, Portage  
 Michael Edward Huck, Marietta  
 Rebecca Rae James, Croton  
 Wayne Edward Jewell, Strongsville  
 Deanna Kathleen Johnson, Thornville  
 Judith Ann Johnson, Brook Park  
 Laura Jane Joseph, Utica  
 Wayne Allen Kaiser, Barnesville  
 Kathleen Anne Kane, Bay Village  
 William Joseph Karcher, McCutchenville  
 Stephen Wayne King, Smithville  
 Edward John Klatka, Strongsville  
 A.A.S.  
 Michael Derrill Kline, Hicksville  
 Timothy David Klink, Berea

Richard Dale Knight, Wooster  
 Joseph Robert Koehler, New Lexington  
 David Eugene Kopcak, Cleveland  
 B.G.S. (Ohio University)  
 Shirley Ann Krawczyk, Port Clinton  
 \*Christopher Jan Kriss, North Royalton  
 Richard John Krystowski, Avon  
 Richard Lee Kunkle, Alvordton  
 Kathryn Rae Lanam, New Washington  
 Jon Charles Lantz, Mansfield  
 James Joseph Lawrenz, Plain City  
 Rex Edwin Leffel, Spencerville  
 Barbara Anne Lewis, Brookville  
 Gerald Dean Lewis, Blacklick  
 Kevan R. Lineberger, Lancaster  
 David Alan Loichinger, Cincinnati  
 John Wesley Love, Vermilion  
 Thomas James Luellen, Groveport  
 Susan Wanda Makiewicz, Dayton  
 Joyce Carolyn Mann, Allentown, Pa.  
 Nancy Jane Manring, Mansfield  
 Larry Dean Markley, Orrville  
 Kenneth Wayne Martin, Dresden  
 Vicki Lynn Matheny, Columbus  
 Alan Edward Mazur, North Royalton  
 Kathryn Ann McCauley, Columbus  
 Donald Norman McClure, Cuyahoga Falls  
 Carl Eugene McCurdy, Ashley  
 Gordon John McInnes, Ashtabula  
 Anthony Otto Meves, Columbus  
 Janet Ruth Miller, Maumee  
 Nancy Carroll Miller, Bryan  
 Walter Robert Miller, Jr., Middletown  
 Connie Marie Milleson, Ironton  
 Lynn Warren Moore, Columbus  
 Antonio Mauricio Moreno, Bucaramanga, Colombia  
 Milton R. Murphy, Wilmington  
 Jeffrey Allen Myers, Dover  
 Timothy Allen Myers, Bucyrus  
 Kim Elliott Nowels, Loudonville  
 Marvin Leroy Oaks, Vandalia  
 Kathleen Jo O'Brien, Fremont  
 Pamela Joyce Osburn, Westerville  
 Frederick Carl Ottosen, Shadyside  
 Walter Gregory Paner, Cincinnati  
 Richard Lee Parker, Columbus  
 Joseph Stephen Peters, Cincinnati  
 John Raymond Phillips, Fairborn  
 Michael Everett Placke, Salesville  
 Keith Lloyd Poling, Grover Hill  
 Charlene Suzanne Powell, Burton  
 James Gregory Powell, Findlay  
 Edward William Powers, Columbus  
 Thomas Glenn Preston, North Canton  
 Philip Mather Price, Bratenahl  
 Daniel Thomas Prospal, Solon  
 David Purcell, Loudonville  
 Thomas Anthony Rapp, Bellefontaine  
 Carolyn Mae Rausch, Marysville  
 Deborah Diane Reinhart, Botkins  
 James Anderson Rhodes, III, Salem  
 James Oliver Rich, Warsaw  
 Gerald Lee Richter, Gibsonburg  
 John Scott Riddle, Orient  
 Michael William Riley, Norwalk  
 Kristin Suzanne Roberts, Columbus  
 Linda Louise Roberts, Helena  
 David Manuel Rodarte, Cincinnati  
 Jean Marie Rogers, Lorain

Michael Alan Rush, Marysville  
 \*Thomas Herbert Rutledge, Columbus  
 Mark Allen Rutter, Waterford  
 John Jay Sage, Chardon  
 Anne Marie Sanders, Columbus  
 Jerald A. Schaade, Columbus  
 Mark Phillip Schad, Norwood  
 Tod James Schadler, Columbus  
 Kenna Malvina Scheidegger, Millersport  
 Clifford Andrew Schiesl, Cincinnati  
 David Eugene Schleich, Williamsport  
 Joseph Michael Schmidt, North Lima  
 Norman Edward Schniegenberg, Jr., Broadview Heights  
 Martha Ann Schrichte, Hamilton  
 James Robert Seiler, Rawson  
 James E. Seipel, New Milford  
 Dennis Lloyd Seman, Greenville  
 Dwight Herbert Seman, Greenville  
 Ruth Ann Senff, Chillicothe  
 Dennis Edward Shaw, Marshalltown  
 William Theodore Sheets, Ashville  
 David Ross Shellhouse, Sycamore  
 Mary Jo Shepherd, Shelby  
 Douglas Archie Sherer, Kettering  
 Herbert Lee Shifley, Galion  
 John Robert Shilling, Columbus  
 James William Shrefler, Mayfield  
 Cindy Sue Shroyer, Cincinnati  
 David Kiser Smith, Beloit  
 William Timothy Smith, Fredericktown  
 Robert Lewis Smithers, Jr., Akron  
 A.A.S.  
 Connie Lynn Snyder, LaRue  
 Andrew James Sommers, Windsor  
 Daniel Ray Spearman, Mt. Vernon  
 Ann Kay Steinbach, Medina  
 John Tobey Steinman, Kenton  
 Christine Avery Stevens, Terrace Park  
 Mary Jane Strader, Columbus  
 Walter Alan Strayer, Sidney  
 Keith Allen Swinehart, Wooster  
 Timothy Mark Tehan, Miamisburg  
 Ronald Dean Terrell, Prospect  
 Steven Michael Thiel, Morral  
 Todd Grier Thompson, Amherst  
 Marc Henry Toennies, Middleburg Heights  
 Raymond Lee Tope, Mt. Sterling  
 Gino Michael Tosi, Berea  
 Matthew James Toussant, Columbus  
 Janet Tyson Tracy, Columbus  
 Dow Lee Ulrich, West Alexandria  
 \*Michael Joe VanSchoyck, Columbus  
 James Edward Walko, Wellington  
 David Alan Wade, Washington C. H.  
 Megan Ann Weaver, Carrollton  
 Richard Earl Webb, Columbus  
 Philip Jeffrey Weinblatt, Bowie, Md.  
 David Milton Welch, Mansfield  
 Kathleen Dee Weyrich, Hillsboro  
 Jean Burkhardt White, Columbus  
 Joseph William Whitley, Blacklick  
 Richard Eugene Wiley, Canfield  
 Robert Jeffery Williams, Cincinnati  
 Christopher Essie Wilson, Columbus  
 B.F.A. (Philadelphia Museum College of Art)

\* Also Master of Science, Graduate School  
 \*\* Also Doctor of Veterinary Medicine, College of Veterinary Medicine

John Melvin Wipert, Columbus  
Pamela Lee Witt, Temple Hills, Md.  
James Nelson Wolf, Carey  
Thomas Jerald Wolf, New Bavaria  
Jerry Allen Woodard, Payne  
John Ludwig Worman, Gahanna  
Robert David Wortman, Worthington  
Clifford Edwin Wray, New Carlisle  
Jeffrey Ernest Wutrick, Beloit  
Thomas Patrick Yuenger, Piqua  
James Michael Zablocki, Toledo

#### Bachelor of Science in Food Science

Two candidates

David John Dzurec, Jr., Cleveland  
B.A. (Fairfield University)  
Gerald Augustine Wancho, Cleveland

#### Bachelor of Science in Food Technology

Thirteen candidates

Carol Susan Andruzis, Westerville  
Ruth Proeschel Benedict, Columbus  
Stephen Anthony Byrne, Dayton  
Marc Darrell Fox, Napoleon  
William Joseph Gast, St. Henry  
Timothy Lee Glaros, Worthington  
Steven Jay Hoffman, Archbold  
Kurt William Kauffman, Columbus  
Phillip Lewis Minerich, Medina  
Herbert Anthony Schock, Jr., Xenia  
Douglas Scott Snedden, Kettering  
Jerry Raymond Stillabower, Columbus  
Robert Earl Wainwright, II, Reynoldsburg

#### Bachelor of Science in Nutrition

Eleven candidates

Daniel Edward Andreas, Columbus  
B.S. Ed.  
Michael Charles Danyko, Toledo  
Jerry Brugler Elliot, West Mansfield  
Richard Alwin Guthell, Lockbourne  
B.S. Food Tech.  
Douglas Alan Hasselo, Gahanna  
Douglas Gordon Hunt, Chillicothe  
Neva Anne Nestor, Wakeman  
Anne Elizabeth Philpot, Paulding  
Jeffrey Dean Porter, Hilliard  
Lynn Marie Smith, Oberlin  
Glenn Richard Wehner, Brooklyn Heights

#### School of Home Economics

#### Bachelor of Science in Home Economics

One hundred and fifty-seven candidates

Jody Ann Allen, Seville  
Peggy Wood Allen, Columbus  
Virginia Beth Anderson, Newaygo, Mich.

Karla Kay Arms, Marion  
Jane Fay Arnold, Archbold  
Diane DeVault Bacon, Columbus  
Kyna Gail Bailey, Cleveland  
Ann Allison Baillie, Zanesville  
Deborah Jon Ball, Worthington  
Joyce Ann Barr, Ashville  
Kathy Ann Bell, Chesterland  
Mary Louise Bennett, Columbus  
Katharine Mereness Blackmore, Columbus  
Carol Jean Blanchard, Danville  
Deborah Jo Boich, Dover  
Gloria Jean Bordner, Bucyrus  
Debra Lynn Braun, Cincinnati  
Yolanda Marie Brennan, Columbus  
Melody Faye Busey, Canal Winchester  
Maureen Byrnes, Worthington  
Carol Ruth Caldwell, Columbus  
Sally Henshaw Campbell, San Diego, Calif.  
Jo Ann Case, Columbus  
Marla Elizabeth Chapman, Cincinnati  
Susan Kay Cheney, Columbus  
Lynn Diane Chitty, Jamestown  
Glenna Jo Claar, Marysville  
Deborah Lynn Condee, Gallipolis  
Molly Sue Connor, Ashland  
Diane Cook, Williamsport  
Janice Schuck Cox, Ashland  
Debra Lee Cozart, Winterville  
Cheryl Lynn Crago, Marietta  
Mildred Lorene Daniels, Fredericktown  
Barbara Darnold Elliott, Dunbar, W. Va.  
Elizabeth Barkley Evans, Columbus  
Emily Lynn Farrell, Columbus  
Cheryl Evers Feil, Columbus  
Diana Kathryn Fisher, London  
Marilyn Ann Fortunato, Youngstown  
Anne Claire Foster, Worthington  
Rita Redd Fullen, Columbus  
Patricia Sprouse Gaines, Graytown  
Roxanne Rochelle Gajardo, Columbus  
Karen Sue Gipp, Salem  
Susan Lynn Groh, New Boston  
Lisa Ellen Grose, Portsmouth  
Anita Marie Gusich, Garfield Heights  
Catherine Lena Haas, Lindsey  
Barbara Ann Haberek, Bergenfield, N. J.  
Barbara Ellen Haines, Xenia  
Peggy Lee Hathaway, Mason  
Karen Lee Haussermann, Cincinnati  
Dedre Lou Haynam, Flushing  
Susan Carol Hays, Columbus  
Debra Donnette Hazelwood, Dayton  
Sharon Sue Hendricks, Oberlin  
Donna Jean Henke, Cincinnati  
Patricia Ann Hoffman, Circleville  
Sherry Leigh Holland, North Canton  
Patricia Jane Holmok, Brooklyn  
Gail Anne Irwin, Hudson  
Carolynn Marie Jefferson, Wooster  
Clarice Elizabeth Jesberger, Sandusky  
Kandycye Kaye Jonard, Coshocton  
Sharon Michelle Kaplan, Beachwood  
Diane Brose Karl, Chatfield  
Susan Gail Kestner, Brecksville  
Terri Lynn King, Westerville  
Jeanean Claire Koblenzer, Berea  
Judith Anne Krentzman, Beachwood  
Deborah Kay Lane, Ostrander  
Blanche Marie Lange, Green Springs  
Tina Lynn Laughlin, Sidney

Catherine Ann LeRoy, Columbus  
Deborah M. Lewis, North Madison  
Marcia Baker Livingston, Richwood  
Deborah Bagby Lopresti, Columbus  
Molly Elizabeth Malone, Metamora  
Jo Murray McCullough, Indianapolis, Ind.  
Diane Lynn McDaniel, Norton  
Marian Jean McLeod, Columbus  
Jean Elizabeth McMillan, Rocky River  
Patricia Jeanette Merva, Buffalo  
Susan Lee Millikan, Columbus  
Betty Morse Minutilli, Columbus  
Karen Garfinckel Mohler, Pepper Pike  
Diane Demorest Moore, Waldo  
Kathryn Mary Moran, Bryan  
Janet Hartley Morrow, Columbus  
Laura Lea Mowbray, Portsmouth  
Kimber Lee Murphy, Columbus  
Michelle Kuster Myers, Worthington  
Marguerite Ann Novak, Geneva  
Carol Elizabeth Novotney, Mayfield Village  
Jacquelyn Palm, Wilmington  
Barbara Elizabeth Pao, Potomac, Md.  
Jeanette Kathleen Piper, Sunbury  
Andrea Lynn Plas, Elyria  
Mary Margaret Porteus, Coshocton  
Mary Kathryn Pultz, Columbus  
Melinda Kathleen Pumphrey, Columbus  
Priscilla Ann Rhonemus, West Union  
Rebecca Jean Richter, Canfield  
Ellen Rae Ricketts, Columbus  
Johnita Louise Ricketts, Pickerington  
Terra Ann Riggie, Columbus  
Diane Leigh Rinsma, Upper St. Clair, Pa.  
Mary Torres Rodgers, Columbus  
Eulalia Marie Rodin, Fairborn  
Victoria Ann Saggio, Columbus  
Cynthia Lynne Sampson, Columbus  
Barbara Ann Savage, North Canton  
Denise Jean Schnauffer, Avon Lake  
Rita Hastings Scholz, Homerville  
Martha Meloy Sharts, Lebanon  
Kathy Louise Shelley, Bellevue  
Shelley Ann Shively, Marion  
Paula Ann Shuff, Dayton  
Carol Ann Siegel, Toledo  
Jodi Skorman, Akron  
Jolynn Smith, Washington C. H.  
Robin Adele Spencer, Manchester  
Janet Leslie Stearns, Cinnamonson, N. J.  
Barbara Ellen Steingass, Defiance  
Patricia Jean Stevenson, Lewistown  
Sally Ann Stoffel, Columbus  
Marcia Ellen Straka, Elyria  
Catherine Marie Strapp, Columbus  
Carolyn Jeanne Sultzbach, Kettering  
Valerie Shoemaker Swayne, Peebles  
Jeanne Louise Swinehart, Wooster  
Joy Teitelbaum, Bellbrook  
Debbie Sue Thomas, Montpelier  
Pamela Ann Turrell, Columbus  
Kathleen Ann Tway, Worthington  
Christine Ann Violand, North Canton  
Anne Ashley VonBargen, Westerville  
Kathleen Mae Waggamon, Doylestown  
Christine Denise Wandra, North Olmsted  
Leigh Allison Weaver, Poland  
Ann Roberta Weisberg, University Heights  
Marilyn Crowl Welschenbach, Columbus

† Also Master of Science, Graduate School



Helen Ann Weskiel, Leipsic  
Jo Ann Whaley, Troy  
Marsha Ann Whitmore, Kenton  
Sarah Jean Williams, Columbus  
Janet Weygandt Wilson, Grove City  
Kimberly Ann Wilson, Newark  
Leslie Wolf, South Euclid  
Lynn Ann Wolfe, Bay Village  
Deborah Jean Worstall, Zanesville  
Diana Rittgers Wray, Logan  
Sandra Sanae Yamamoto,  
Pearl City, Hawaii  
Cynthia Marie Young, Kettering  
Leisa Delmara Young, Alliance  
Frances Kay Zelek, Lorain

**Bachelor of Science  
in Restaurant Management**

Four candidates

Helen Marie Houck, Atwater  
Linda Mary Kosel, Sandusky  
Lorraine Kay Punzar, Euclid  
Sally Mae Wakefield, North Bloomfield

**School of Natural Resources**

**Bachelor of Science in Natural Resources**

One hundred and twelve candidates

James Douglas Adams, Columbus  
Allen Richard Altfater, Parma Heights  
Donald Paul Althoff, Lancaster  
Larry George Asher, Westlake  
William Glenn Ayers, Jr., Chagrin Falls  
Robert John Baepler, Westerville  
Michael Allan Barrick, New Concord  
William Charles Bartholomew, Toledo  
David Brian Bassett, Oak Harbor  
Deborah Faftrak Bednarski, Maple Heights  
Robert Wayne Beery, Bluffton  
Ronald Stanley Bialosky, Westlake  
Donald Marlowe Bish, Bluffton  
John Vernon Blankenship, Trotwood  
Allen Webster Blyth, Worthington  
Robert Merrill Bonnett, Middleburg Heights  
David Lee Booren, Dayton  
John Lewis Bostwick, Bay Village  
Thomas David Boyd, Burbank, Calif.  
Dennis William Cable, Woodville  
Robert Alan Carey, Worthington  
David Kimberly Chenualt, Chillicothe  
David Michael Chippis, Cleveland  
Steven Earl Dabney, Springfield  
Sharlene Davis, Dayton  
Pamela Sue Dillon, Portsmouth  
Phillip Alan Dimick, Aurora  
Ronald Harrison Douglas, Lewisburg  
Randy Alan Duff, Springfield  
William Stephen Easterday, Dublin  
Steven Ray Frum, Galion  
Clay Walter Gagnet, Rocky River  
Scott Allen Gearig, Holland  
Christina Grace Gemmill, Marion  
James Peter Gogolski, Columbia, S. C.

Daniel Morris Goodrich, Mt. Gilead  
Daniel Edward Gower, Portsmouth  
Paul Gregory, Columbus  
Larry Stephen Halcomb, Kettering  
John Ellsworth Hansley, Thornville  
Christopher Lane Hastings, Prospect  
James Lee Hayes, North Royalton  
Mark J. Hegman, Cincinnati  
Richard Paul Heithaus, Reading  
Jerry Robert Hermann, Tallmadge  
Thomas Ray Hissong, Englewood  
Mark Stephen Hoffmann, Cincinnati  
Mark Wesley Howson, Pikeville  
Ferdinand Vincent Huber, III, Canton  
Patrick Frank Hume, Worthington  
Gary Paul Jones, Tipp City  
Hilles Michael Keeton, Caldwell  
Richard Lars Kenney, Hudson  
Jerry Dean Kimble, Fairfield  
Gillian Mary Kissel, Columbus  
Frederick Dale Kretchman, Wooster  
John Nicholas Krock, Jr., Cleveland  
John Barry Lantz, Greenville  
Eric William Larson, Arlington, Va.  
Donald Gerard Lipps, Cincinnati  
David Kermit Longfellow, Strasburg  
Mark Charles Marshall, Westerville  
Franklin Jacob Marsh, Akron  
Kenneth John Martoff, Cleveland  
Daniel Mathews, Mansfield  
Donald Arvid McCann, Jr., Lakewood  
Richard Joseph Mendala, Garfield Heights  
Richard Nardi Micacchion, Columbus  
David Arthur Milnes, Canton  
Jeffery William Moritz, Oregon  
Sheila Marie Mulligan, Willoughby  
Guy Glenn Naylor, Washington C. H.  
Clinton Lee Nicely, Worthington  
David Arthur Nicklaus, Columbus  
Delbert Roscoe Oney, Elyria  
Suzanne Lou Paroline, Columbus  
Robert Howard Reiner, University Heights  
Gerardo Roy Rollison, Warren  
David Robert Roseler, Wellington  
Robert George Schafer, Columbus  
Thomas Philip Schirtzinger, Columbus  
Robert Howard Schmidt, Xenia  
Scott Randall Schnell, Apple Creek  
Joseph David Scur, Weirton, W. Va.  
James Michael Sheehan, Columbus  
Richard Allen Shein, Flushing, N. Y.  
Stewart Lee Sherrick, Ashland  
Sidney Corbet Stone, Columbus  
Daniel Ray Smith, Jr., Poland  
Mark Richard Songer, Masury  
John Charles Sprouse, Bridgeport  
Douglas James Stone, Galion  
Thomas Stephen Stump, Tiro  
Robert Michael Supler, Sandusky  
Pamela Ruth Taylor, Strongsville  
David Bennet Trimmer, Piqua  
Robert Jeffery Trimmer, Steubenville  
James J. Trumbull, Toledo  
Bruce Allen Turf, Columbus  
Bruce Alan VanDervort, Piqua  
John Crawford Wallace, IV, Bellbrook  
Kent L. Washburn, Hudson  
Harold Dwight Watters, Waverly  
William Erwin Wegert, Elmore  
Leon Raymond Weisenberger, Mansfield

William Franklin Welch, Columbus  
David William Wiggernhorn, Springfield  
Steven Zack Willson, Delaware  
Joyce Darlene Winkle, Mayfield Village  
Chester Wayne Wodecki, Garfield Heights  
Steven Kenneth Wood, Columbus  
Margaret Ann Young, Columbus

---

**Agricultural Technical  
Institute—Wooster**

**Associate of Applied Science Degree**

One hundred and twenty-seven candidates

Mark Watson Abbott, Columbus  
Joseph Richard Armstrong, Perrysville  
Paul Raymond Barco, Medina  
Dale Richard Bender, Fremont  
Bruce Allen Bennett, Strongsville  
Terry Lynn Berger, Shadyside  
Ruth Ann Berney, Lewistown, Pa.  
Susan Anne Bing, Sandusky  
Howard Lee Black, Bellville  
Harold William Blazier, Athens  
Albert Henry Bremer, III, Akron  
Edward Paul Brown, Batavia  
Frank Rand Burrows, North Ridgeville  
Christina Louise Cardinal, Kent  
Mara Kay Chisnell, Doylestown  
Michael Cole, Wooster  
Thomas George Dayton, Norton  
John Phillip Deeds, Nashport  
Carolyn Jean Deibel, Dover  
Gary Allen Dennis, Loudonville  
Jennifer Depas, Sharon Center  
Nicholas Charles Dieterich, Willoughby  
Jay Deaver Drinko, Lyndhurst  
Richard Anthony Duta, Brooklynn  
Tom Michael Feiertag, Cincinnati  
David Lynn Fisher, Rittman  
Jeffery Lee Frank, Wauseon  
Patricia Su Frantz, Canton  
Colleen Sue Frey, Harpster  
Jan Rolland Fry, Gibsonburg  
Richard Allen Goodan, London  
Michael Frederick Gorton, Woodstock  
Thomas Alan Green, Louisvillle  
Mark Thomas Grunkemeyer, Centerville  
Robert Wayne Hanna, Millersburg  
Jay Lynn Harmount, Greenfield  
Thomas Walter Hartscock, Chillicothe  
Cynthia Louise Hass, St. Clairsville  
James Edward Haueter, Bolivar  
Michael Dean Hawkins, Delaware  
Robert Michael Hejduk, Madison  
Cheryl Linda Hickey, Sheffield Lake  
John Mark Holloway, Columbiana  
Arlen Troy Hostettler, Smithtown  
Stephanie Marie Hubbell, Johnston  
Michael Melvin Hughes, Wooster  
James Ray Hunter, Carey  
Kristine Sue Hypes, Lewisburg  
Michael Kevin Ickes, Wooster  
James William Imke, Jr., Port Clinton

Charles Edward Ingersoll, Cuyahoga Falls  
Lawrence Nicholas Jalkanen, Westlake  
Roderic Owen Keppeler, Edgerton  
Anne Marie Kleibecker, Dayton  
Susan Kay Koteff, North Canton  
William Lee Kurfis, Olmsted Falls  
Gregory Van Landis, Nova  
Wendy Sue Lautanen, Jefferson  
Denise Jean Lobins, Wooster  
Melvin Joseph Long, Wadsworth  
Scott Donald Marshall, Dover  
William Thomas Matejka, Independence  
Douglas Bruce Matthews, Mt. Vernon  
Jane Ellen Matthews, Mt. Vernon  
Molly Ann McKinney, Kent  
Susan Jean McLaughlin, Worthington  
Anthony Earl Menzie, New Concord  
Joseph James Merland, West Chester  
Kenneth John Meyer, Bellevue  
Margaret Ann Miller, Wooster  
Timothy Ignatius Mindzora, Bedford  
Carol Sue Moherman, Ashland  
Fonda Daneen Moore, Shelby  
Harry James Moore, Shreve  
Jennifer Rae Myers, Cincinnati  
Julie Ann Nolt, Worthington  
Gary Lynn Ondreko, Beloit  
Benjamin Kabutey Ongor, Dalton  
Robin Jaye Parker, Belpre  
Margaret Ann Partridge, Olmsted Falls  
Robert Gary Pattie, Wooster  
Ginger Layne Pendleton, Washington C. H.  
Gary Joseph Philipps, Maple Heights  
Jack Willis Phillips, Cincinnati  
Leonard Vincent Piliptiere, Barberton  
Nanette Elayne Pollock, Garrettsville  
Angela Louise Redaelli, Cleveland  
Peter John Rehner, Parma  
Randall Allen Render, Cuyahoga Falls  
James Patrick Reynolds, Barberton  
Harold Neal Robinson, Perrysville  
Richard Allen Roland, Parma Heights  
Susan Holly Runkle, Sugar Grove  
Marilyn Louise Sattler, Toledo  
Curtis James Sawan, Copley  
Mary Eva Schaller, Newark  
John Edward Scheel, Columbiana  
Douglas James Schmale, Cleveland  
Laura Lucille Schmidt, Worthington  
Thomas Norman Schuffenecker, Oregon  
Robert Ralph Schumacher, Jr., Woodville  
Kenneth B. Schwartz, Fremont  
Kathleen Marie Serkownek, Kirtland  
Susan Elizabeth Shibley, Galion  
Scott Eugene Shoemaker, Fredericktown  
Alan Ray Shugart, Freeport  
Jennifer Anne Simpson, Malvern  
Linda Marie Snyder, Loudonville  
Daniel Jonathan Sommer, Galloway  
Mary Anne Stahl, North Benton  
Richard Dennis Steiner, Mansfield  
Todd Foster Stief, Upper Sandusky  
Wayne Allyn Strayer, Waterville  
Gregory Wright Thoms, Waverly  
Kenneth Charles Tiell, Alvada  
Paul Edward Turnow, Bowling Green  
Glenn Michael Ullom, Croton  
Pamela Sue Walker, Mansfield  
Nancy Lee Wanner, Morton, Ill.  
Steven Robert Wassem, Dover  
Gerard Lee Wasserman, Burgoon

William Joseph Weichel, Sandusky  
B.L.S. (Bowling Green State University)  
Rebecca Leigh Whitehead, Clyde  
Randy Lawrence Wolf, Elyria  
Robert Paul Wonsick, Massillon  
Victoria Lynn Yoder, Centerville  
Alan Gordon Zavesky, Brecksville

James Edward Browne, Asheville, N. C.  
B.S. (North Carolina Agricultural and  
Technical State University);  
M.B.A. (University of Missouri)  
James Vincent Brunie, Alliance  
°David William Brzoska, Wilmington, Del.  
B.S. (Marquette University);  
M.A. (Theology-Aquinas Institute)  
Melvin Douglas Burns, Loveland  
B.A.

Robin Ray Byers, Jackson  
B.S. (Ohio University)

Bruce Eliot Cane, Lorain

James Gilbert Case, Dayton  
B.A. (Northwestern University)

Christopher Neil Chamberlin, Toledo  
B.S. (University of Toledo)

Mary Ann Chlysta, Ravenna  
B.A. (Kent State University)

Brian Edward Clark, Maple Heights  
B.A. (Kent State University)

Ronald Alan Cohen, Cincinnati

John Vincent Craig, Youngstown

Richard Michael Cronley, Cincinnati

Joseph Patrick Crowley, Cincinnati  
Robert Owen Cuckler, Jr., Chillicothe  
B.S.

John Michael Cutter, Loveland  
B.A.

Terry Lynn Davis, Middletown  
B.A. (Miami University)

Carl J. Drago, Bronx, N. Y.  
B.A.

Thomas John Edwards, New Lexington  
B.S. (Bowling Green State University)

David Harold Ellinger, Centerville

Jay Andrew Emory, Kenton  
B.A. (Trinity University)

Edward Bruce Erndt, Mansfield

David Scott Fenton, Portsmouth

Ruby Estelle Fifer, Toledo

Robert Kenneth Flath, Columbus  
B.A. (Miami University)

J. Mark Flesch, Cincinnati  
B.S. (Xavier University)

Stephen Eugene Frank, Lexington

James Allen Fultz, Jr., Columbus

Max Lee Gaston, Athens  
B.S. (Ohio University)

James Arthur Gertz, Euclid  
B.A. (Ottawa University)

Marc R. Greenbaum, Shaker Heights  
B.S.

D. Scott Greenwood, Marion

B.S. (Heidelberg College)

---

## College of Dentistry

Dean: Charles L. Howell

### Doctor of Dental Surgery

One hundred and eighty-five candidates

James Lee Abererg, Alliance  
B.S. (Bowling Green State University)

David Albert Amlin, Vandalia

Martin E. Appell, Canton

Stephen Joseph Arthur, Rocky River  
B.S. (University of Toledo)

Drew William Ashbridge, Cincinnati

Bruce Charles Baloy, Columbus  
B.S.

Carl Walter Bankston, Jr., Dayton  
B.A. (Central State University)

Dana K. Barnes, Salem

Jon Fenton Bauer, Martins Ferry  
B.A.

Gary Leigh Becker, Centerville  
B.S. (Ohio University)

Claude Theodore Beitler, Jr.,  
Upper Sandusky

Richard Francis Bestic, Youngstown

Thomas Kent Beyl, Tipp City  
B.S. (University of Cincinnati)

Michael John Bezbatchenko, Akron

John Francis Bickford, Toledo

Michael Alan Billman, Woodsfield

Mark Bridge Bodenheim, Warren  
B.S. (University of Georgia)

Daniel Lee Bondra, Mentor  
B.S. (Bowling Green State University)

Charles Alan Bookwalter, Mansfield

Alexander Louis Bournias, Warren  
B.S.

Gregory Walter Bragiel, Cleveland  
B.A.

William Ulmer Britton, Cincinnati

John James Brletic, Jr., Lorain  
B.S. (Bowling Green State University)

Kenneth Brochin, Toledo

Paul Edwin Brown, Jr., Marion, Ind.  
B.S. (Ball State University)

\*Also Master of Science, Graduate School

Mark Mitchel Harsha, Portsmouth  
 B.A. (Miami University)

John Joseph Hayes, Cincinnati

Melville Donald Hayes, Wilmington  
 B.A. (Miami University)

Ronald James Hayes, Middletown  
 B.S.

Herbert Patrick Heekin, Cincinnati  
 B.S. (Xavier University)

Ned Barney Hein, Toledo  
 B.A. (Wittenberg University);  
 M.S. (Bowling Green State University)

Robert Livingood Heist, Centerville  
 B.A. (Miami University)

James Walter Henz, Dayton

Thomas Joseph Herron, Cleveland  
 B.F.A. (University of Dayton)

Barron Wesley Hixon, Columbus  
 B.S.

Carl Martin Honerlaw, Cincinnati

Berta Benalcazar Howard, Columbus  
 B.A. (Bridgewater College)

Philip Michael Howard, Morrow

John A. Hudec, Brecksville  
 B.S. (John Carroll University)

William Bonzie Hudson, Dayton

John Jeffrey Illing, Waukesha, Wis.

Jerald Andrew Jackson, Louisville  
 B.A. (Wittenberg University)

Hubert Joseph Jacob, Jr., Cincinnati

Samuel Jacob Jasper, Jr., Athens  
 B.S. (Ohio University)

Roland Eric Johanssen, Toledo  
 B.A.

Steven Carl Jones, Portsmouth  
 B.A.

Harry John Jordan, Baltimore

Philip Thomas Kallile, Toledo  
 B.A.

Guntis Kalnins, Cincinnati  
 B.S., M.S.

Samuel Steven Kaludy, Akron  
 B.S. (University of Akron)

Donald J. Karpinski, Lorain  
 B.S. (University of Cincinnati)

Robert Steven Kellar, Dayton  
 B.S. (University of Dayton)

Steven Welsh King, Sylvania  
 B.S.

Michael Dean Kinser, Middletown  
 B.A. (Miami University)

Jeffrey Lee Kleinman, Mayfield Heights  
 A.B. (Miami University)

Michael James Kotowski, Sheffield  
 B.S. (Kent State University)

Paul Stanley Kozy, Toledo  
 B.A. (University of Toledo)

Thomas James Kronholz, Brecksville  
 B.S. (University of Akron)

Gregory Michael Kusner, Genoa

Howard Andrew Laile, II, Columbus  
 B.A.

James Joseph Large, Akron

Kim Allen Laurell, Jackson, Mich.  
 B.S.

Gregory Melvin Linscott, Athens  
 B.S. (Ohio University)

Robert Joseph Lockman, Wauseon

Michael Lee Love, Salem  
 B.A.

Milton Glenn Lucas, Hillsboro

Frank Gerald Manchester, Niles  
 B.A.

Edward Jonathan Marchi, Westerville

Larry Steven Martin, Cincinnati  
 B.S. (University of Cincinnati)

Robert Douglas Martin, Portsmouth

DeWitt Thomas May, Dresden

Lawrence Edward McCall, Canfield  
 B.A. (Hiram College)

Howard Dean McCleese, Portsmouth  
 B.A.

Larry Allen McLaughlin, Castalia  
 B.S. (University of Toledo)

Stanley T. Meckler, Beachwood

John Richard Meeth, Parma Heights

Wallace Bruce Meikle, Youngstown

Robert Carol Merkel, Cincinnati  
 B.S. (University of Cincinnati)

James Engene Merrell, Columbus  
 A.B. (Indiana University)

Peter George Michalos, Canton  
 B.A.

Gary G. Miller, Westerville

Michael John Minarchek, Delaware

Murphy William Morgan, Youngstown

Jon B. Musser, West Liberty

Donald Arthur Nevar, Euclid  
 B.A. (Case Western Reserve University)

Fred Nevar, Jr., Euclid

Frank Christopher Nichols, Cincinnati

Scott Harold Nightingale, Toledo  
 B.L.S. (Bowling Green State University)

Scott Allen Null, Newark

Patrick W. O'Connor, Cincinnati

Kevin John O'Grady, Lima  
 B.S. (University of Notre Dame)

Terry David Olejko, Lorain  
 B.S. (Miami University)

Thomas Joseph Olinger, Cincinnati  
 B.S. (Bowling Green State University)

Michael Lee O'Rourke, Kettering  
 B.A. (Miami University)

Ronald Eugene Osborn, Kenton

George Frederick Osborne, Toledo  
 B.S. (University of Toledo)

Ronald Charles Ostroski, Akron  
 B.S. (Akron University)

John Stephen Palkovic, Middleburg Heights

Steven Michael Parrett, Chillicothe  
 B.S. (Bowling Green State University)

Thomas Eric Payne, Jr., Barberton  
 B.S. (University of Akron)

Barry Wayne Penturf, Alliance

Stephen Herbert Pick, Cincinnati  
 B.S.

Mark Allen Potocnik, Cleveland  
 B.S. (John Carroll University)

Ronald Dominick Presutti, Bellaire  
 B.A. (University of Cincinnati)

Gregory Ries Prior, VanWert

David Edward Reifenberger, Cincinnati  
 B.A.

Robert Charles Rindfleisch, Olmsted Falls  
 B.S. (Bowling Green State University)

Christopher Allen Ringle, Westerville  
 B.S.

Mark Allen Ritter, Middletown

Gregg Thomson Rogers, Toledo

Herbert G. Roland, Columbus  
 B.S.E.E. (Southern University)

Michael Clayton Ross, Springfield  
 B.S. (Ohio University)

Joseph Edward Ryne, Kettering  
 B.A.

Frank Henry Sanderman, III, Dayton  
 B.S. (University of Cincinnati)

Denley Jay Schlegel, Coshocton  
 B.S.

Robert Paul Schulz, Mission Viejo, Calif.  
 B.A. (University of California, Los Angeles)

Marc Allen Schwartz, Columbus  
 B.S.

Steven McKinley Scurlock, Portsmouth  
 R.A.

Stephen George Seiler, Cincinnati

John Cashon Shamp, Zanesville  
 B.S.

David Allen Sharkey, Strongsville  
 B.S. (Ohio University)

Kristine May Shoemaker, Canton  
 B.S. (University of Cincinnati)

Paul Frederick Siegel, Jr., Cincinnati

David Loren Sipes, Galion

Kenneth Michael Sirocky,  
 Middleburg Heights

Larry Eugene Sluss, North Canton  
 B.S.

Walter Sodik, Canton  
B.A.

Ronald Jay Solomon, Columbus  
B.A. (Miami University)

David Wayne Spillar, Richfield  
B.S.

Michael Stanley Strayer, Elida

David Laurence Strodbeck, Creston  
B.A. (Miami University)

Ben Francis Tarsitano,  
Wright Patterson A.F.B.

Gregg Lee Testerman, Lebanon  
B.S.

Patrick Charles Thomas, Cleveland  
B.S. (Cleveland State University)

Thomas Scott Valo, Sylvania

Charles Robert Verbanic, Newton Falls  
B.A.

John Martin Vinings, Chillicothe  
B.A.

Charles Louis Wadlington, Eaton

Robert Andrew Walton, Warren

James Richard Weaver, Perrysburg

Thomas Alan Webb, Oregon  
B.S. (Capital University)

John Anthony Weisenfels, Jr., Lyndhurst  
B.S.

Scott Wilson Wemmer, Toledo

Herman Edward White, Canton  
B.S.

Michael Gerald Wiley, Gahanna  
B.A. (Miami University)

Howard Jay Willen, University Heights  
B.S. (University of Cincinnati)

John Rawling Willoughby, III, Warren  
A.B. (Amherst College)

Steven Denis Wilson, Canal Winchester

Michael Jeffrey Wine, Zanesville  
B.S. (Ohio Northern University)

Mark Eric Wyss, Columbus  
B.A./Jour.

James William Zimmerman, Jr., Holland

Paul Sterling Zimmerman, Columbus  
B.A. (Washington and Jefferson College)

James Weston Zulliger, Jr., Lima  
B.S.

#### Certificate of Graduate Dental Hygienist

Eighty-one candidates

\*Sandra Lee Allen, Kilbourne  
Susan Marie Allison, New Lexington

\*Sharon Lea Allman, Cincinnati  
Sandra Kay Arnos, Defiance

Patrice Ellen Arnstine, University Heights

Cathy Lee Backinger, Chagrin Falls

Robyn Kay Baird, Centerville

Sandra Louise Barrett, Bellevue  
Nancy Carol Bartley, Lakewood

Sharon Kay Bauman, Worthington

Toski Yvonne Bolte, Columbus

Jessie Jo Brough, Fostoria

Donna Marie Brunner, Albuquerque, N. M.

Mardell Lynne Calder, Barnesville

Beth Ann Chamberlain, Reynoldsburg

Sandra Joyce Chico, Kettering

Cheryl Lee Conway, Cuyahoga Falls

Cheryl Lynn Cook, Columbus

Diana Maxey Costello, Columbus

Maureen Ellen Cotter, Medina

Sheryl Lynne Courson, Myerstown, Pa.

Pamela Sue Day, Sunbury

Rita Sue Dieli, Columbus

Catherine Susan Duplin, Louisville

\*Denise Bender Eisen, Columbus

Tamara Ann Giar, Canton

Karen Marie Giunto, Toledo

Wendi Sue Goebble, Lyndhurst

Sandie Ann Goldman, Girard

Holly Jo Hain, Columbus

Jean Marie Hammer, Fostoria

\*Cynthia Elizabeth Hannah, Shawnee

Jill Alison Horning, Bay Village

\*Sandra Suzanne Howell, Columbus

Katherine Alice Koch, Lima

Teri Lynn Landess, Fairborn

\*Barbara Ann Lash, Akron

\*Susan Margaret Lauhon,

Warrensville Heights

Susan Carol Lindeman, Englewood

Karen Sue Lindsay, Lorain

Sue Ann Longenecker, Covington

Sandra Sue McCleery, Richmond

\*Martha Joyce McLeland, Stow

Donna Randolph Meyers, Columbus

\*Sally Jo Miley, Ottawa

\*Julie Ann Miller, Dayton

Cynthia Lu Nasmer, Grove City

Nancy Nelson, Worthington

Mary Ann Nida, Marietta

Cynthia Leigh O'Quinn, Dayton

Jill Elaine Parker, Canfield

Janice Marie Phillips, Lithopolis

Sally Margaret Polsfoot, Broadview Heights

†Annette Marie Prunte, Columbus

Roberta Rae, Columbus

\*Deborah Ann Robinson, Vandalia

\*Donna Sue Rogers, Warren

Barbara Ann Ryals, Elyria

\*Patricia Jean Sercia, Brookfield

\*Toni Jo Skaaf, Toledo

Carol Ann Smith, Columbus

Donna Marie Socha, Lorain

\*Diane Lynette Speiker, Toledo

Debra Jill Stanton, Indianapolis, Ind.

Wendy Ann Synenberg, University Heights

Barbara Tansey, Toledo

Jane Louise Terveer, Alliance

Teresa Ann Thacker, Cincinnati

\*Susan Jayne Thole, Worthington

\*Jeanne Kay Tubaugh, Cadiz

Catherine Lee Valdiserri, Belle Vernon, Pa.

Christina Marie Valleria, East Liverpool

Deborah Marie Vara, Willowick

Sandra Rita Viss, Columbus

\*Barbara Jean Vorst, Columbus Grove

Holly Jean Wagers, Gustine, Calif.

Edward Allen Walker, Greenwich

Janet Leigh Williams, Massillon

\*Myra Nettie Wright, Rittman

Angela Marie Zeis, Port Clinton

Barbara Sue Zinn, Westerville

## College of Education

Dean: Frederick R. Cyphert

### Bachelor of Science in Education

Four hundred and sixty-four candidates

Michael Free Ackerman, Belpre

Rikky Lane Ackerman, Bucyrus

John Leonard Aggas, Columbus

Steven Kenneth Alberti, Sylvania

Candace Joan Allen, Kenton

Kristine Parod Allen, Hebron

Kenneth Dwaine Amstutz, Marysville

Nadie Lee Anderson, Steubenville

Norma Baedke Anderson, Columbus

Patricia Jean Anderson, Ashland

Robert Frank Archer, Westerville

Sandra Helen Armstrong, Jackson

Georgia Ann Armul, Maple Heights

Bernard Bruce Army, Ohio City

Jonathan Gabriel Baker, Columbus

Robin Suzanne Baker, Cleveland

William Dean Baker, Prospect

Diana Lee Ball, Heath

Nancy Ann Ball, Columbus

Judith Ann Barnett, Portsmouth

Shirley Fulk Barnett, Columbus

Nancy Elizabeth Bashore, Thornville

Daniel Brent Beach, Galion

Rhonda Reichenbach Beck, Columbus

Mark Douglas Beggrow, Gahanna

Sally Mahood Beondo, Columbus

Janet Lee Bergman, Lorain

Robert Allen Berkemer, Columbus

B.F.A.

John Ellis Bertram, Freeport

Deborah Ann Biniker, Toledo

Cert. Grad. Dent. Hyg.

Patricia Marie Binnig, Columbus

James Michael Blackburn, Columbus

Robin Nan Blackford, Dublin

B.A.

Sandra Martin Blackstone, Newark

Cynthia Sue Blackwell, Bellefontaine

John Alan Bledsoe, Westlake

Diane Susan Bogucki, Piqua

Mark Dennis Boles, Cuyahoga Falls

David Michael Bonagura, Clifton, N. J.

B.A.

Katherine Sue Bowers, Lima

Mary Lynn Bradshaw, Cincinnati

Tinia Michelle Bradshaw, Columbus

Geraldine Mae Brandt, Mansfield

Annette Marie Brewer, Marion

Daniel Lynn Brown, Worthington

\* Also Bachelor of Arts,  
Colleges of the Arts and Sciences

† Also Bachelor of Science in Education,  
College of Education

Garry Nathaniel Brown, Columbus  
 Kathryn Franks Brown, Columbus  
 Rena Young Brown, Columbus  
 Mark Andrew Bryant, Columbus  
 Stephen Colin Buck, Sparta  
 Connie Jacobs Buckingham, Marion  
 Joseph Von Thron Burdorf, Port Clinton  
 David Hall Burris, Marion  
 Sharon Sue Burton, Columbus  
 Carole Anne Bux, Wadsworth  
 Michael Edward Cain, Springfield  
 Debra Lynn Calvert, Worthington  
 Jeffrey Dean Campbell, Powell  
 Peggy Lee Campbell, Columbus  
 William Walter Cannell, Columbus  
 B.A. (Ohio University)  
 William Larry Cantrell, Columbus  
 Craig Lee Carson, Cuyahoga Falls  
 Susie Evans Cash, Columbus  
 Nancy Louise Castillo, Springfield  
 Judith Marie Catozza, Steubenville  
 Melody Bauer Cayce, Columbus  
 Michele Gabrielle Chapla, Lorain  
 Gary William Checkler, Wellsville  
 Kathy Ann Chew, Shelby  
 Ronald John Cirata, Shelby  
 Amy Beth Claussen, Bannockburn, Ill.  
 Steven Lee Clippinger, Lima  
 Timothy John Clutter, Mason  
 Melva Smith Colegrove, Columbus  
 Penny Martin Coleman, Newark  
 Patricia Ann Comisford, Mansfield  
 Mary Susan Conkle, Portsmouth  
 Marilyn Densford Cook, Marion  
 Deborah Lynne Cooke, East Orwell  
 Jane Ann Cooper, Grove City  
 Barbara Lynn Cottrell, Fairview Park  
 Glen Lynne Cowling, Willard  
 Gary Allen Cox, Dayton  
 Jeffrey James Cox, Sharon Center  
 Christine Sherman Crase, Galion  
 Steven Dale Crosby, Cincinnati  
 Barbara Rogers Culbertson, Hebron  
 Cathleen Cummins, Columbus  
 Nancy Sue Cunningham, Marysville  
 Patrick Curto, Columbus  
 Carol Gray Damian, Columbus  
 Ruth Ann Daniels, Lucasville  
 Ann Louise Davis, Richwood  
 Dan Arnold Davis, Columbus  
 Valda Vance Dawson, Coshocton  
 Teresa Lynn DeGood, Warren  
 Miriam Sue Denzer, Mt. Vernon  
 Lynnell Ann DeViney, Cleveland  
 Lynne Ann Dickison, Enfield, Conn.  
 Virginia Lou Dixon, Wilmington  
 \*Frederick Ira Doak, Marietta  
 Toni Victoria Downs, Williamsport  
 Becky Lynn Dowrey, Middletown  
 Lisa Beth Drumm, Columbus  
 Doris Jean Dunn, Mansfield  
 Sheila Marie Dunn, Marion  
 Linda Lou Dyer, St. Paris  
 Marjorie Kay Dyson, Steubenville  
 Richard James Ebin, II, Columbus  
 Douglas Alan Eckert, Crestline  
 Nancy Rae Egger, Springfield  
 Cert.Grad.Dent.Hyg.  
 Jeanette Kay Ellis, Columbus  
 Jeffrey Stewart Ely, Columbus  
 Ann Emmenecker, Toledo

Jill Ann Estill, Middletown  
 Brent Edward Fahrer, Sandusky  
 Rebecca Sue Fannin, Newark  
 Mary Madaline Federico, Seven Hills  
 Alan M. Feldshue, Monroeville, Pa.  
 Raymond Clyde Fickes, East Liverpool  
 Steven Lane Fifer, Columbus  
 Marilyn Phyllis Fine, Cleveland Heights  
 Jeanne Elaine Finger, Freeport  
 Angelia Siu-Yau Leung Fisher, Columbus  
 B.A. (University of California at  
 Riverside); M.A.  
 Lynn Mawhorr Fisher, Shelby  
 Deane Michael Fisticik, Columbus  
 Stanley Wayne Fluck, Powell  
 Patricia Anne Flynn, Westerville  
 Jon Patrick Fobes, Kingsville  
 B.A.Jour.  
 Emilie Richey Fortney, Columbus  
 Vicki Michaela-Lynn Fox, Columbus  
 Amy Lynn Frank, Springfield  
 Philip James Frazee, Heath  
 James Edward Frazier, Columbus  
 Mary Lou Frilling, St. Marys  
 Leslie Ann Fueger, Fairborn  
 Linda Marie Funk, Granville  
 Susan Marie Galicki, Richmond Heights  
 Cert.Grad.Dent.Hyg.  
 Martha Jane Gasser, Logan  
 Jane Mary Gast, St. Henry  
 Jeanine Gates, Shelby  
 Lois Bletz Gattton, Butler  
 Krista Dorothy Gerckens, Columbus  
 \*Donna Ann Gessell, Akron  
 Carol Koltenbah Gibson, Marysville  
 Constance Drake Giggi, Reynoldsburg  
 John David Given, Columbus  
 Deborah Lee Good, Heath  
 Leslyn Louise Gouch, Columbus  
 Kathleen Ann Gould, Timberlake  
 Donna Belinda Grant, Cincinnati  
 Cert.Grad.Dent.Hyg.  
 Judith Joy Grasso, Columbus  
 Theresa Cecilia Green, Columbus  
 Donna Marie Greene, Franklin, Mass.  
 Susan Lynn Greer, Englewood  
 Steve Craig Griffen, Columbus  
 John Thomas Grooms, Lucasville  
 Janice Rae Grossenbacher, Seville  
 Melissa Marsh Gruzs, Columbus  
 Theresa Maria Guerrero, Columbus  
 Karen Lou Gulick, Ashville  
 B.F.A. (Ohio University)  
 Suzanne Lee Gulyas, Centerville  
 Jack Calvin Guy, Jr., Barberton  
 B.A.  
 Andrea Alves Hallam, Columbus  
 Eric Steven Hammesfahr, Pittstown, N. J.  
 Catherine Mary Haney,  
 North Brunswick, N. J.  
 Harriet Michele Haniotes, East Liverpool  
 William Douglas Hart, Kenton  
 Luddie Hatten, Jr., Columbus  
 Nancy Clark Hayes, Lima  
 Terri Sue Hazelbaker, West Union  
 Constance Lynn Headlee, Dublin  
 Kristine Kay Heiby, Celina  
 Patricia Ann Heil, Bucyrus  
 John Martin Heintz, Anna  
 Nancy Weasenforth Hemphill, Elida

Thomas Lynn Hempleman, Carroll  
 Barbara Lynn Herzog, Columbus  
 Jan Louise Hess, Lindsey  
 Beverly Lynn Hills, Johnstown  
 Jill Sue Hindlemann, Denver, Colo.  
 Debra Kay Hipsher, Crestline  
 Thomas Jerold Hittle, Columbus  
 B.A. (Central Bible College)  
 Susan Hocking, East Liverpool  
 Glenn Langdon Hodge, Oberlin  
 Debra Sue Hofus, Mineral Ridge  
 \*Taryl Ann Holbrook, Washington C. H.  
 Dennis Lee Hord, Mt. Vernon  
 Emilee Sue Hottle, Hillsboro  
 Linda Napier Howard, Caledonia  
 Charles Michael Huff, Dublin  
 Clinton Albert Husband, Elyria  
 Mary Beth Huston, Shiloh  
 Diana Lynn Ikenberry, Middletown  
 Dale Lee Ireland, Findlay  
 Sarah Isabel Jacobson, Long Beach, N. Y.  
 Cynthia Coyle Johnson, Columbus  
 Pamela Grime Johnson, Archbold  
 Wendy Rae Johnson, Columbus  
 Anita Lanette Jones, Chardon  
 B.A.  
 Rufus Bissell Jones, III, Worthington  
 Jeffrey Lyle Julien, Columbus  
 Bernard Franklin Kanary, Jr., Toledo  
 Deborah Cohen Katz, Waterbury, Conn.  
 Sare Alusta Kavak, Columbus  
 Sharon Sue Kelley, Columbus  
 William Edward Kelley, Columbus  
 Susan Elizabeth Kenney, Shelby  
 Joan Marie Kepler, Mansfield  
 Rosemary June Kersey,  
 Homestead A.F.B., Fla.  
 Elizabeth Jean Kettlewell, Detroit, Mich.  
 Sarah Hengesbach Kidston, Youngstown  
 Lisa Blanco Kimble, Columbus  
 Cheryl Ann Kiracofe, Lima  
 Jodene Sue Kirgis, Bloomville  
 Sharon Ellen Kitain, Dayton  
 Karen K. Kleinschmidt, Sandusky  
 Marjorie Watkins Klingensmith, Columbus  
 Bethany Lynn Knoll, Newark  
 Terry Eugene Kopchak, Zanesville  
 Marian Sue Kostelia, Stewartsville  
 Bruce Alan Kotlinski, Columbus  
 B.A.Jour.  
 Lynn Dolores Kramer, Union  
 Karole Lee Krause, Zanesville  
 James Allan Kukral, Euclid  
 Ruth Ellen Lachee, Austenburg  
 Joan Rauth LaRue, Pickerington  
 Edward James Latessa, Youngstown  
 Richard Stephen Laux, Elyria  
 \*Kathleen Mary Lavey, Seven Hills  
 David Charles Lenahan, Cincinnati  
 Diane Kathleen Leser, Upper Sandusky  
 Ronald Lee LeVan, West Mansfield  
 William Eugene Lindauer, Waynesville  
 B.S.Agr.  
 Diane Maria Linn, Columbus  
 Beverly Ann Long, Willard  
 Cheryl Kay Long, Farmersville  
 Katherine King Long, Ravenna  
 Wesley Lee Love, Columbus

\* Alan Bachelor of Arts,  
 Colleges of the Arts and Sciences

William Joseph Mack, Fort Jennings  
 Merrie Hope Mador, Plainview, N. Y.  
 Laurie Louise Mahla, Toledo  
 Laurie Ann Mancuso, Fairborn  
 Dean Phillip Mandross, St. Marys  
 Eugene Charles Marlow, Columbus  
 Carol Jean Marshall, Wapakoneta  
 Deborah Jean Marshall, Circleville  
 Gerald Clare Martin, Jr., Jefferson  
 Paul Allen Martin, Fairview Park  
 Susan Jo Massaro, Columbus  
 Cert.Grad.Dent.Hyg.  
 Martha Jane Mauck, Delaware  
 Cathy Sue McCall, Reynoldsburg  
 Owen Thomas McCloskey, Columbus  
 Cynthia Lu McCombs, Heath  
 Lunetta Darnise McFaden, Cincinnati  
 David Thomas McFeely, Columbus  
 Gail Packer McGraw, Marion  
 \*Ann Victoria McLeish, Cincinnati  
 Barbara Ann McNemar, Columbus  
 Patrick Michael McNicol, Wellsville  
 David Linly Meridith, Dixon, Ill.  
 Steven Messina, Columbus  
 Claudia Ann Mihovk, South Euclid  
 Barbara Wright Miller, Columbus  
 Cheryl Ann Miller, Williamsport  
 Greg Alan Miller, Lima  
 Linda Sue Miller, Circleville  
 Rebecca Suzanne Miller, Reynoldsburg  
 Gaylard Mills, Gahanna  
 John Dennis Mitchem, Ashtabula  
 Monica Sue Moffett, Ashland  
 Lance Hartinger Moll, Kettering  
 Michael James Moore, Columbus  
 Peggy Anne Moore, Whitehall  
 Iris Rozelle Morris, Columbus  
 Karen Ann Mullenax, Reynoldsburg  
 Barbara Lynn Mullinix, Dayton  
 Phyllis Arelene Mullins, Columbus  
 Theodore Ralph Myers, Somerset, Pa.  
 Martha Nicholls Nampon, Ashland  
 Michael Joseph Neal, Columbus  
 Pamela Sue Neal, Galion  
 Joseph Michael Neidig, Columbus  
 Jack Nemergut, Youngstown  
 Marti Beth Netler, Columbus  
 Jerry New, Columbus  
 Kathy Lynn Nielsen, Toledo  
 Sharon Ball Noel, Dayton  
 Duane Benjamin Nugent, II, Columbus  
 Timothy Roch O'Connor, Worthington  
 Cheryl Lynn Oehler, Prospect  
 Nancy Lou Offenburger, Port Clinton  
 \*Kevin Martin O'Hearn, Dayton  
 Randall Lee Orr, Worthington  
 Becky Ann Paglione, Reynoldsburg  
 Richard Xavier Paglioni, Columbus  
 B.A.  
 Julius Mariano Palazzo, Columbus  
 Margaret Ruth Parker, Warren  
 Lynette Mers Patterson, Columbus  
 Joan Mary Paxton, Caldwell  
 Thomas Evans Paxton, Sylvania  
 Katherine Fowler Payne, Lima  
 Richard Alan Pemberton, Columbus  
 Joseph Charles Penko, Willoughby  
 Patricia Lynn Pever, Wharton  
 Mary Kathryn Pfeiffer, Centerville  
 Robert Paul Pischel, Middleburg Heights

Linda Lou Poe, Felicity  
 Jerry Lee Polles, Mansfield  
 Cynthia Ann Post, St. Henry  
 Franklin Edward Prater, West Portsmouth  
 Kathryn Lee Prendergast, Worthington  
 Debra Kay Price, Winterville  
 †Annette Marie Prunte, Columbus  
 Gary Lawrence Puglise, Lima  
 Barbara Marie Ratkay, Canfield  
 Dianne Elizabeth Ray, Columbus  
 Harold Edward Raymond, Columbus  
 Elizabeth Jane Records, Lakewood  
 Rebecca Lois Redmond, Belpre  
 Karen Ellen Reed, Marion  
 Donna Jean Ridenour, Monroe  
 Roger Alan Rill, Columbus  
 Martin James Rinto, Crestline  
 Christine Marie Rischard, Wauwatosa, Wis.  
 Bonnie Lou Roberts, Columbus  
 Judy Sue Roberts, Rushsylvania  
 Mark Frampton Roberts, Columbus  
 Brian Kent Robinson, Canton  
 Mary Elizabeth Roccaforte, Youngstown  
 Vicki Ayyotte Roeser, Columbus  
 Neysa Eleadys Rosario, Lorain  
 Elaine Mara Rosenberg, Skokie, Ill.  
 Barbara Ann Ross, Heath  
 David Paul Ross, Columbus  
 Maria Adelfa Ross, Columbus  
 Christine Kay Rothe, St. Marys  
 Bryan Marc Rozelman, University Heights  
 Marcy Ellen Rubinstein, South Euclid  
 Debra Manring Ruhl, Columbus  
 Susan Lynn Sagasky, Ashland  
 V. V. Sargent, Bradford  
 Karen Robertson Scheerer, Shelby  
 Pamela Shutt Schehl, Mt. Vernon  
 John Karl Schmitt, Columbus  
 Michael Stephen Schott, Caldwell  
 Virginia Kohli Schug, Elida  
 Luanne Schultz, Genoa  
 Susan Kay Sega, Wadsworth  
 Virgil Joseph Seger, Carroll  
 Diane Mary Senger, Hamilton  
 Mark Alan Sephel, Columbus  
 John Francis Seymour, Hilliard  
 Carla Barks Shankle, Columbus  
 Deborah Ann Shanks, Newark  
 Susan Ann Shields, Westerville  
 Diane Foltz Shind, Marion  
 Thomas Fred Shreve, Columbus  
 B.A.  
 Jennifer Jay Shutt, Columbus  
 Cert.Grad.Dent.Hyg.  
 Susan Snider Sinn, Columbus  
 Mary Margo Slonkosky, Minster  
 Kenneth James Sluss, Columbus  
 B.A.  
 Rebecca Sue Small, Toledo  
 Anita Gail Smith, Lexington  
 Gregory Dean Smith, Logan  
 Lynne Ellen Smith, Springfield  
 Michael Max Smith, Vincent  
 Paul Vincent Smith, Worthington  
 Peggy Jane Smith, Mansfield  
 Jean Marie Soppelsa, Parma Heights  
 Peter Joseph Souch, Columbus  
 Sally Lynn Southard, Shelby  
 Bruce Wayne Sparrow, Lima  
 Betsy Miller Stark, Columbus  
 George Edward Steele, Columbus

Ruth Staton Stefanich, Newark  
 Carol Ann Stegner, Delaware  
 Janet Elaine Stemen, Fort Jennings  
 Gregory Lynn Stewart, Fostoria  
 Frank William Stoehr, Mansfield  
 Edward Newton Straight, Jr., Columbus  
 Johanna Straight, Canton  
 Zoe Ann Stroble, Kettering  
 Gary Larain Strup, Edon  
 B.A.  
 Rita Jean Sutherland, Mansfield  
 Angela Zuccarelli Svinarich, Columbus  
 Cert.Grad.Dent.Hyg.  
 Janice Kay Swaney, Harrod  
 Thomas Edward Swank, Sandusky  
 Lon Lloyd Swihart, Lewisburg  
 Linda Kathryn Swindler, Wilmington  
 \*Ted Wesley Switzer, Lima  
 Robert Stanley Sylak, Columbus  
 Ralph William Tagg, Jr., Galloway  
 Gayle Tashjian, Sylvania  
 Michele Louise Taylor, Hartsville  
 Pamela Ann Tedick, Bath  
 Deborah Gaye Teeters, Grove City  
 Roxann Mitchell Terrible, Columbus  
 Gary Judson Thatcher, Columbus  
 Don Adam Thogmartin, Columbus  
 Mary Ann Thomas, Logan  
 Patrick Allen Thomas, Belle Valley  
 Peggy Jean Thomas, Waldo  
 Rex Jesse Thomas, Columbus  
 Phyllis Buckner Thompson, Columbus  
 B.S.Soc.Adm.  
 William Frank Thompson, Buckeye Lake  
 Terri Ann Thornhill, Sylvania  
 Leslie Ann Tilton, Columbus  
 Timothy Brian Tilton, Columbus  
 Marc Edward Tirey, Monroe  
 Teresa Jane Tobey, Dayton  
 Piper Ann Tobias, Middletown  
 James Henry Trainer, Mt. Gilead  
 Kelvin Eugene Trefz, Columbus  
 Jill Carol Tremaine, Dayton  
 Clifford Ray Troyer, Plain City  
 Gela Genelle Tudor, Galion  
 Linda Marie VanderHorst, Kettering  
 Charlotte Clinesmith VanGuilder, Columbus  
 Mary Ann Vansickle, Adamsville  
 James Paul Varrone, Parma  
 Michael Philip Vasko, Ashville  
 Katharine Wach, Dallas, Tex.  
 Robert Paul Wagner, Columbus  
 \*John Joseph Waibel, Columbus  
 Susan Bartrop Walck, Collins  
 Charles Wilson Walker, Columbus  
 Teresa Lynne Waller, Ironton  
 Gail Louise Warner, Findlay  
 Thurman Eugene Watkins, Ashland  
 Robert Craig Weber, Columbus  
 B.A.  
 Lynn Murphy Wechter, Shelby  
 Carol Howell Weigle, Mansfield  
 Martin Vincent Weithman, Columbus  
 Mary Anne Weitzel, River Forest, Ill.  
 Elizabeth Ann Wellman, Cincinnati  
 Amy Jane West, Circleville  
 Sandra Lee Westerheide, Minster

\* Also Bachelor of Arts,  
 Colleges of the Arts and Sciences  
 † Also Certificate of Graduate Dental Hygienist,  
 College of Dentistry

Anna Yvonne Wheeler, Cadiz  
 Martha Wheeler, Genoa  
 Denise Kaye Wigor, Columbus  
 Cert.Grad.Dent.Hyg.  
 Jill Ann Willford, Findlay  
 Susan Catherine Williams, North Canton  
 Cert.Grad.Dent.Hyg.  
 Johnena Irene Wilt, Wilmington  
 Cert.Grad.Dent.Hyg.  
 James Alan Windle, Columbus  
 Eileen Pearl Wirtz, Canton  
 Jane Ann Witte, Lyndhurst  
 Paul David Yoder, Columbus  
 Nancy Mae Worrell, Columbus  
 Robert Richard Wray, Jr., Columbus  
 John Wolfgang Wylder, Garden City, N. Y.  
 Marsha Ann Yaney, Celina  
 Bette Catherine Yeakle, Gahanna  
 Joyce Ann Yessenow, Lima  
 Paul David Yoder, Columbus  
 Bonnie Joyce Young, Painesville  
 Georgia Sue Young, Marion  
 Michael John Young, New Carlisle  
 Emily Annette Youngman, Maumee  
 Michael Alan Zabetakis, Fairborn  
 Michael Robert Zerby, Columbus  
 Pamela Jean Zimmerly, Findlay  
 Jayne Ellen Zimmerman, Defiance  
 Cert.Grad.Dent.Hyg.  
 Kathy Ann Zupcsan, Madison

**Bachelor of Art Education and Bachelor of Music Education degree are offered jointly by the College of the Arts and the College of Education**  
**Candidates are listed on page 19**

## College of Engineering

Dean: Harold A. Bolz

### Bachelor of Science in Aeronautical and Astronautical Engineering

Twelve candidates

Joseph Walter Arvai, Wilmington  
 Cynthia Louise Brinkman, Kettering  
 Martin Eugene Correy, Conneaut  
 John Orlando Evangelista, II, Painesville  
 James Lewis Haines, Montpelier  
 Jerry W. Kitchen, Columbus  
 Philip Anthony Persi, Columbus  
 Bruce Edward Rossiter, Columbus  
 Michael Francis Ryan, Springfield  
 William Arnold Shaw, Columbus  
 Paul Frank Victor, River Forest, Ill.  
 Frank Hill Weaver, Baltimore, Md.

### Bachelor of Science in Agricultural Engineering

Three candidates

David Victor Brown, Newark  
 Jay Leslie Kuck, St. Marys  
 Gary Allan Risch, Columbus

### Bachelor of Science in Ceramic Engineering

Six candidates

Richard Frederick Beckmeyer, Bay Village  
 Jeffrey Lee Boston, Columbus  
 Jay Douglas Ewing, Columbus  
 James Michael Meek, Coshocton  
 Terry Dean Shinabarker, Wooster  
 Edmond Earl Sockman, Mt. Vernon

### Bachelor of Science in Chemical Engineering

Twenty-nine candidates

Dale Frederic Arnold, Bethany, Okla.  
 Gregory R. Bellopatrick, Mingo Junction  
 Richard Arthur Bouton, Akron  
 Marie Elizabeth Carson, Coolville  
 James Michael Delabar, Wheelersburg  
 Debra Kay Garber, Columbus  
 Kenneth Edward Hansen, Akron  
 Darlene Jo Hinerman, Carrollton  
 Daniel Thomas Horn, Dayton  
 Philip Carl Hursh, Columbus  
 Eugene Edward Imbrogno, Lorain  
 Lawrence Roy Latta, Columbus  
 Robert Mamoru Linek, Cleveland  
 Michael Maciejewski, Cleveland  
 Daniel Herman Millisor, Columbus  
 Carol Lee Payne, Columbus  
 Luanne Jane Proctor, East Liverpool  
 Stephen Abbott Repp, Tiffin  
 Michael William Ryder, Carey  
 Russell Allen Schilling, Van Wert  
 David John Serbin, Wadsworth  
 Richard Dewey Smith, Columbus  
 John Richard Stout, Westerville  
 Ronald Edward Strawser, Newark  
 Jeffrey John Thomas, Columbus  
 Mary Rose Verecchioni, Novelty  
 Lawrence Michael Vleck, Parma Heights  
 David Robert Weber, Novelty  
 James Harold Wood, Martins Ferry  
 B.A.A.E.

### Civil Engineer

One candidate

Robert William Blaschak, Weirton, W. Va.  
 B.S.C.E.

### Bachelor of Science in Civil Engineering

Thirty-one candidates

Steven Hugh Baker, Shreve  
 William Pollard Bartlett, Jr., Columbus  
 Wayne Clair Bishop, Mansfield  
 Douglas Randolph Blegen, Worthington  
 John Scott Burton, Brecksville  
 Stanley Warren Carlyle, Prospect  
 Michael Robert Cline, Cuyahoga Falls  
 Kenneth Drew Davison, Martins Ferry  
 Joe Chi-Ho Dyer, Kowloon, Hong Kong

Joseph Anthony Eduardo, Warren  
 Edward August Fickes, Columbus  
 Jane Ann Figula, Johnstown, Pa.  
 David Jesse Hegemier, New Knoxville  
 Mark Vincent Herbert, Columbus  
 Keith Lee Londot, Mansfield  
 Robert Lyn Makeever, Marion  
 Richard Lewis Mark, Worthington  
 David Allen Martin, Columbus  
 David Russell Meyer, Greenville  
 B.A. (Miami University)  
 Gary Lee Mielke, Paulding  
 Gregory Allen Nichols, Martins Ferry  
 Gail Elizabeth Nickerson, Columbus  
 Victor Carlos Ramirez, Columbus  
 Steven Maurice Renneker, Hamilton  
 Robert Elton Robbins, Elyria  
 Alan Frank Rozich, Philadelphia, Pa.  
 Kenneth Martin Sito, Edgerton  
 Raymond Harold Stokes, Jr., Columbus  
 David Philip Trinter, Columbus  
 Lloyd Morris Welker, Jr., Worthington  
 Eric A. Wolinsky, Malverne, N. Y.

### Bachelor of Science in Computer and Information Science

Fourteen candidates

David Lynn Billman, Clyde  
 Troy H. Brown, Springfield  
 Gregory Scott Dillon, Columbus  
 Steven Michael Ehrler, Lancaster  
 David Joseph Herman, Sandusky  
 Richard Robinson Kaiser, Hudson  
 Roger Dean Kobel, Coshocton  
 Pamela Sue Laney, Hubbard  
 Philip Neal Murray, Columbus  
 John Louis Ramey, Yellow Springs  
 Thomas Lee Rodeheffer, Grove City  
 Robert D. Russell, Worthington  
 Lawrence Edward Theuring, Ayden  
 Kevin Charles Walter, Cincinnati

### Bachelor of Science in Electrical Engineering

Thirty-eight candidates

Frederick Charles Belsak, Lexington, Ky.  
 Thomas Matthew Benford, II, Akron  
 Raymond Piorowski Bernard, Jr., North Ridgeville  
 Jeffrey Ray Blood, Conneaut  
 Douglas Edwin Brune, Mansfield  
 James Leslie Corey, Columbus  
 Thomas David Gentile, Ashtabula  
 Donald Duane Glower, Jr., Columbus  
 Robert Martin Grayson, Lorain  
 Gary Duane Hedrick, Mentor  
 Russell William Hensley, Rickenbacker A.F.B.  
 Steven Allen Hill, Columbus  
 William Aiden Hudgins, Columbus  
 Laurence Robert Kish, Gahanna  
 David Hale Maneely, Parma  
 Gary L. Maulding, Columbus

Steven Gilmore McClain, Columbus  
Thomas Edward Merrick, Columbus  
Douglas Brian Miller, Cleveland Heights  
Jay William Molvie, Marietta  
Larry Alan Morris, Franklin Furnace  
Thomas John Pavlik, Columbus  
Gary Allen Peck, Reynoldsburg  
Larry Joe Pemberton, Chesapeake  
John Peter Plungis, Jr., Cincinnati  
Charles Michael Rhoads, Middletown  
David B. Richey, Chagrin Falls  
James Michael Robinson, Reynoldsburg  
Daniel Joseph Ryan, Columbus  
Gerald Raymond Samsen, Genoa  
James Lee Schneck, Beallville  
Richard Alva Secrist, Perrysville  
Stephen Gerard Sheek, Columbus  
Benjamin Lee Stultz, Mt. Vernon  
Yen-Kiet Tang, Potomac, N. J.  
Larry Edward Thatcher, Columbus  
Craig Allen Tribuzi, Copley  
Thomas Carl Zito, Independence

#### **Bachelor of Science in Engineering Physics**

Three candidates

Ethan Wayne Hunt, Jr., Cleveland  
Stanley Arthur Jones, Frankfort  
Roberto Enrique Sonabend,  
Tecamahaleo, Mexico

#### **Industrial Engineer**

One candidate

Robert James Kehoe, Shelby  
B.A.

#### **Bachelor of Science in Industrial and Systems Engineering**

Fifteen candidates

James Arthur Angel, Jr., Columbus  
Gary Wayne Ballou, Columbus  
Terry Lee Canaday, Columbus  
Charles Brian Clutter, Chillicothe  
Randy Emery Glassburn, Columbus  
Robert Stratton Gross, North Olmsted  
Timothy James Jubach, Avon Lake  
Kim Michael Kaptain, Port Clinton  
Ronald Lee Lewis, Columbus  
James Robert Maul, Mansfield  
John Thomas Mondini, Dayton  
Anne Elizabeth Newman, Columbus  
Alan Paul Steves, Toledo  
Lynne Marie Strouse, Loudonville  
Neil Francis Tornes, Waterford

#### **Bachelor of Science in Mechanical Engineering**

Thirty-four candidates

David Allen Alford, Columbus  
Scott Allen Anderson, Brecksville  
William Raymond Augustine, Jr.,  
Lowellville  
Danny Lee Ayers, Columbus  
Habib Maurice Barakat, Beirut, Lebanon  
Paul Gene Bidwell, Dayton  
Michael Lee Carter, Columbus  
Gary Alan Deis, Kettering  
Douglas Edward Dreisbach, Hamilton  
Edward John Florkey, Columbus  
Linda Marie Herman, Clinton, Ia.  
Joseph Patrick Hirt, Lorain  
Christian Siller Jurey, Wadsworth  
Roger Henry Kahle, Bellevue  
Charles Gerard Kerber, Columbus  
Edward Earl Kindy, North Canton  
Vince Steven Kleo, Mentor  
Mark James Koenig, Worthington  
Edwin Robert Kolic, Gahanna  
Martin Joseph Lukacz, Olmsted Falls  
Jeffery Charles Martin, Columbus  
John Klose McVey, Forest Park  
Frederick P. Mellinger, Waverly  
David John Minderman, Port Clinton  
Ronald Alan Moidel, East Liverpool  
Andrew Tobey Morrison, Valdez, Alaska  
James Allen Mullens, Hicksville  
Craig Zimmer Root, Columbus  
William Richard Smith, Woodsfield  
Michael Charles Taylor, Columbus  
John Leslie Tomlinson, Columbus  
Jacob Wexler, Givatayim, Israel  
Jeffrey Douglas White, Worthington  
James Lawrence Zuber, Chillicothe

#### **Bachelor of Science in Metallurgical Engineering**

Five candidates

Timothy Keane Christman, Mansfield  
Randy Carl John, Vandalia  
Michael Lewis Jones, Columbus  
Manuel Sarkis Mekhjian, Aleppo, Syria  
Thomas John Perry, Columbus

#### **Bachelor of Science in Welding Engineering**

Seven candidates

Stephen Thomas Forsha, Columbus  
Michael Donald Hayes, Waterford  
Archie Ray Jackson, Bloomingburg  
Jacquelyn Carol Kovach, Cincinnati  
Israel Stol, Haifa, Israel  
Andrew Joseph Toth, Lancaster  
Christopher Allen Trumbull, Columbus

#### **Bachelor of Science in Architecture**

Seventy-two candidates

Peter John Altmeyer, Columbus  
B.S. (Ohio University)  
John Richard Behal, Columbus  
Gene Harold Boecker, Elyria  
Emil Aurel Bogden, III, Columbus  
Thomas Arthur Boose, Toledo  
Timothy Brian Brower, Bedford  
Thomas Lynn Butterfield, Parma  
James Raymond Cady, Blacklick  
Richard Lee Carlisle, South Euclid  
Steven Marshall Carne, Dayton  
Michael Drew Cavanaugh, Indianapolis, Ind.  
Susan Chin, Avon, Conn.  
Sathit Choosang, New York, N. Y.  
Mark Adrian Corey, Columbus  
Lawrence David Damico, Kettering  
William Harlan Dickerson, Germantown  
Ralph Everett Dilts, Fredericktown  
James Bruce Feldman, Silver Spring, Md.  
John William Fischer, Lyndhurst  
John Andrew Fitzsimmons, Columbus  
Steven James Fulkert, Port Clinton  
Stephen Francis Galli, Columbus  
B.S. (John Carroll University)  
Daniel Louis Gardner, Lewisburg  
Joseph David Garner, Columbus  
Margaret Irene Ginther, Columbus  
B.A. (Capital University)  
Bruce Nixon Grulke, Berea  
Steven Paul Heitkamp, Minster  
Gary Thomas Hipolite, Columbus  
James Louis Homan, Columbus  
Warren Dinsmore Hubbard, Mansfield  
Arthur Alfred Hupp, III, Cincinnati  
Joseph Pate Hutson, Worthington  
Kim Anthony Jandecka, Akron  
Robert Wayne Johnson, West Union  
Tom J. Juhasz, Highland Heights  
John Joseph Kardish, Poland  
Kenneth Edward Klare, Cincinnati  
Kevin Michael Knight, Maumee  
Reed Nelson Knowles, Toledo  
James Roy Lawrie, Springfield  
Richard Clement LeBlanc, Barton, Vt.  
James Samuel Luckino, Columbus  
Susan Ann Maeck, East Brunswick, N. J.  
Aristotle Ricky Matsa, Columbus  
Don Kenneth Meier, Worthington  
Terrell Franklin Miller, Portsmouth  
B. of Tech. (University of Dayton)  
Dale Anthony Mitchell, North Royalton  
Robert Dean Neff, Bluffton  
Thomas Morrow Nugent, Newark  
Mark Alan Nye, Westerville  
Daniel Junior Obyrna, Shiloh  
Timothy David Olland, Chagrin Falls  
Samuel Adeyeye Omole, Ikoti Ilesha, Nigeria  
Keith Luverne Paul, Columbus  
Andrew Leonard Pinsky, Jr.,  
Mammoth, Pa.  
John Darwin Puccetas, Newport, Pa.  
Frederic Louis Ribariu, Cincinnati  
Roger James Ridge, Richwood  
David Wenceslaus Sacha, Parma  
Ramin Sadr, Tehran, Iran  
Neal Francis Seeva, Jr., Urbana



John Benson Shuttleworth, Darien, Conn.  
B.F.A. (Ohio Wesleyan University)  
Robert Karl Smith, Lancaster  
Stephen Joseph Steinbicker, Xenia  
Steven Mericle Stelzer, Rochester, N. Y.  
James Lester Tate, Canton  
Ronald James Treharne, Xenia  
Michael Wayne Vashinder, Barnesville  
Terry Alan Willis, Worthington  
Walter Kenneth Wiseman, Columbus  
Charles Curtis Wright, Columbus  
Jalal Zadown, Tehran, Iran

#### Bachelor of Science in Landscape Architecture

Thirty-four candidates

Douglas Edward Baldi, North Olmsted  
Patrick Jay Beam, Elida  
Robert Ross Belanger, Bay Village  
Mark Edwin Besel, Hamilton  
Steven Clayton Brown, Newark  
Gary Lynn Bumpus, Centerburg  
Gregory Alan Byers, Columbus  
Anne Yager Chamberlin, Perrysburg  
Vytas Dominic Dautartas, Chesterland  
Emil Alexander Diener, Mansfield  
Mark Alan Elsey, Greensburg  
Thomas Michael Evans, Lakeview  
Jay Lindsay Geaslen, Bay Village  
Marc Peter Gladstone, Cleveland  
Richard Adams Gregg, Jr., Columbus  
Neil Allyn Grossberger, Beachwood  
Lois Ann Haslett, Columbus  
Judith Lynn Heintz, Columbus  
Mary Jo Ann Hendricks, Columbus  
William Jon Keach, Torrance, La.  
David Neal Kemp, Corona del Mar, Calif.  
Gary Bruce Kesler, Columbus  
Susan Jane Kopka, Bloomfield Hills, Mich.  
Gregory Paul Leffel, Columbus  
Michael John Markus, Columbus  
David Robert McBean, Parma  
Alan David McKnight, Columbus  
Raymond James Priest, Parma Heights  
Mark Douglas Rossel, Upper Sandusky  
Christopher William Stack, Lorain  
Jeanette Anne Stets, Niles  
Ralph J. Thompson, Jr., Columbus  
B.A.

Jane Bailey Turley, Gahanna

Beverly Jane Wilbourn, Toledo

## College of Law

Dean: L. Orin Slagle, Jr.

### Juris Doctor

One hundred eighty-five candidates

Russell James Adams, Columbus  
A.B. (University of Michigan)  
Colin Carleton Alcott, Timonium, Md.  
B.A. (Johns Hopkins University)  
John Paul Allare, Mt. Prospect, Ill.  
B.A. (University of Notre Dame)  
Henry Allen Arnett, Jackson Center  
B.L.S. (Bowling Green State University)  
Paul Martin Aucoin, Loveland  
B.A.  
Gary William Auman, Columbus  
B.E.E. (University of Louisville)  
Edward Clark Barrows, Newington, Conn.  
B.A. (Bates College)  
Jolynn Barry, Dayton  
B.S.  
Joan Baumgarten,  
Huntington Station, N. Y.  
B.A. (University of Rochester)  
Robert Lewis Bays, Belpre  
B.A. (Miami University)  
Stephen Theodore Belsheim, Columbus  
B.S. (Purdue University)  
Thomas John Beman, Columbus  
B.S.E. (University of Michigan)  
Donald Eugene Bennett, Bloomingburg  
B.A. (Defiance College)  
Jeffrey Lewis Benson, Painesville  
B.A.  
Alan Frederick Berliner, Columbus  
B.A. (Case Western Reserve University)  
John Franklin Berry, Minford  
B.A. (Ohio University)  
Karen Jeanne Blackwell, Northfield  
B.A.  
Christen Ralph Blair, Yorkville  
B.A. (Muskingum College)  
Joseph Francis Boetcher, Zanesville  
A.B. (Ohio University)  
Edwin Howard Breyfogle, Massillon  
B.A.  
James Rickey Brown, Jr., Portsmouth  
B.S.Bus.Adm.  
Peggy Lynn Bryant, Ashley  
B.A. (Miami University)  
Don William Bulson, Sylvania  
B.S.M.E. (Ohio University)  
William Joseph Burns, Jr., Columbus  
B.S. (University of Notre Dame)  
Phil William Campbell, Convoys  
B.A., B.S. in Ed. (Bowling Green State  
University)

John Jeffrey Chernoski, Xenia  
B.A. (Saint Joseph's College, Indiana)

Maria J. Codinach, Denver, Colo.  
A.B. (Loretto Heights College);  
M.A. (University of Texas at Austin)

Kathleen Benson Cook, Columbus  
B.A.

Sheila P. Cooley, Columbus  
A.B. (Duke University);  
A.M. (Indiana University)

David Stanley Cooper, Kendall Park, N. J.  
B.A. (Muskingum College)

Steve Alan Craig, Gahanna  
B.A.

Richard William Cross, Spencerport, N. Y.  
B.A. (College of Wooster)

Walter Martin Cummins, Jr., Columbus  
B.A.

Jay Douglas Cutrell, Newark  
B.A.

George Randall DeNicola, Winterville  
B.A. (University of Tennessee)

Robert William Detwiler, Pittsburgh, Pa.  
B.A.

Michael Dicker, South Euclid  
B.B.A. (University of Toledo)

Charles Thomas Dillon, Canfield  
B.I.E. (General Motors Institute)

Stanley John Dobrowski, Shaker Heights  
B.A. (University of Notre Dame)

<sup>2</sup>Norbert Mark Doellman, Jr., Fairfield  
B.A. (University of Notre Dame)

Richard Cary Doran, Indianapolis, Ind.  
B.A. (Loyola University)

Douglas Edward Ebert, Cardington  
B.A.

Gloria Ann Eyerly, Mansfield  
B.A.

James Burton Farmer, Cincinnati  
A.B. (Cornell University)

Bryan Harold Felmet, Columbus  
B.A.

John Alvin Filippello, St. Louis, Mo.  
B.S.Bus.Adm. (University of Missouri)

Jerome Lewis Fine, Toledo  
A.B. (University of Michigan)

Thomas John Fischer, Columbus  
B.A. (University of Notre Dame)

Dennis Michael Fitzgerald, Findlay  
B.A. (University of Notre Dame)

Linda Joan Fletcher, Whitehall  
B.S.Ed.

Robert Edward Fletcher, Marion  
B.A. (Bowling Green State University)

Steven Leslie Gardner, South Euclid  
B.S.; M.S.M. (Case Western Reserve  
University)

\* Also Master of Arts, Graduate School

- Perry Lee Gerbino, Seven Hills  
B.A. (Kent State University)
- Richard Eugene Geyer, Columbus  
B.S., M.S. (Purdue University)
- \*James Matthew Giffin, Cuyahoga Falls  
B.A. (Denison University)
- William Richey Graf, Jr., Cincinnati  
B.A. (Denison University)
- Karen Jewel Grant, Chicago, Ill.  
B.A. (Saint Olaf College)
- Michele Marie Gutman, Newark  
B.A. (Drew University);  
M.A. (University of Denver)
- Patricia Nickerson Hale, Essexville, Mich.  
A.B. (University of Michigan)
- Alan Jeffrey Harlan, Ravenna  
B.A.
- Howard Sidney Harris, Findlay  
B.S. (Massachusetts Institute of  
Technology)
- Melvin Henry Herbers, Elyria  
B.B.A. (Ohio University)
- Robert Craig Hesser, Brecksville  
B.G.S. (Ohio University)
- Paul Richard Hitchcock, Heath  
B.S.
- Edward John Holler, III, Toledo  
B.A. (Pennsylvania State University)
- Cinda Jo Holthouse, Vandalia  
B.A. (Miami University)
- John Robert Hopler, Rocky River  
B.A. (Denison University)
- Keith Carlton Hult, Chicago, Ill.  
A.B. (University of Illinois)
- James Franklin Hunt, Jr., Allegan, Mich.  
B.A. (Alma College)
- Ralph Michael Hursey, Urbana, Ill.  
B.S. (University of Illinois)
- <sup>1</sup>Douglas Neil Husak, Westlake  
B.A. (Denison University); M.A.
- Richard Mark Ihlendorf, Cincinnati  
B.B.A. (University of Cincinnati)
- Richard Norval Indritz, Minneapolis, Minn.  
B.A. (Northwestern University)
- Andrew Paul Janovsky, Beachwood  
B.A. (Saint Olaf College)
- Margretta Jeffers, Mt. Vernon, N. Y.  
B.A. (Morgan State University)
- Gerald Lamont Jones, Quaker City  
B.B.A. (Ohio University)
- John Stuart Jones, Delmar, N. Y.  
B.A. (Denison University)
- William Joseph Kelly, Jr., Columbus  
B.A.
- Steven R. Kerber, Columbus  
B.S.Bus.Adm. (Bowling Green State  
University)
- Stephen Pearce Kling, Glenarm, Md.  
B.A.
- William Irwin Kohn, Cincinnati  
B.A. (University of Cincinnati)
- Kathleen Lynn Kovach, Fairview Park  
A.B. (University of Michigan)
- George Charles Kovacs, Lakewood  
B.A. (Cleveland State University)
- Peter Alan Lakritz, Glendale, N. Y.  
B.S. (State University of New York at  
Stony Brook)
- David Lee Landefeld, Columbus  
B.A. (Kenyon College)
- Jerome Albert Lemire, Pierpont  
B.S., M.S.
- James Patrick Liddy, Piqua  
B.A. (University of Notre Dame)
- Gregory Gordon Lockhart, Xenia  
B.S. in Bus. (Wright State University)
- James Murphy Long, Columbus  
B.A. (Ohio Wesleyan University)
- Thomas Leslie Long, Mansfield  
B.A. (University of Notre Dame)
- Susan Gabori Lorton, Dayton  
B.S. in Bus. (Wright State University)
- Craig Douglas Lovett, Cincinnati  
B.A. (Duke University)
- Roy Lowenstein, Bayside, N. Y.  
A.B. (Oberlin College)
- Lavera Loy, Flint, Mich.  
B.A. (Michigan State University)
- Robert William Malone, Alliance  
B.A. (Mount Union College)
- Daniel Lee Manning, Columbus  
B.A.
- John Emil Marke, Lake Worth, Fla.  
B.A. (Florida Atlantic University)
- Alan John Mataovich, Struthers  
A.B. (Youngstown State University)
- Michael Edward McConnell, Findlay  
B.S.Cer.E., M.S.
- Ronald Jay McCracken, Toledo  
B.A. (University of Toledo)
- Robert Myers McGreevey, Cincinnati  
B.A.
- Dennis William McNamara, Columbus  
B.A.
- Eric Scott Miller, Mansfield  
B.A. (Denison University)
- Robert Allen Miller, Clyde  
B.B.A. (Ohio University)
- Walter T. Morris, Waukegan, Ill.  
B.A. (Wilberforce University)
- Margaret Mary Mullany, Livermore, Calif.  
B.A. (University of Chicago);  
A.M.Ed. (Stanford University)
- Thomas Lynn Mumaw, Dalton  
B.A.
- John William Nau, Caldwell  
B.S. (Salem College)
- James Michael Neumann, Crestline  
B.A. (Miami University)
- Eugene Peter Nevada, Bridgeport  
B.A. (Marietta College)
- George Richard Nickerson, Granville  
B.A.
- James Robert Nieset, Millersville  
B.A. (Bowling Green State University)
- Jonathan Michael Norman, West Lafayette  
A.B. (Ohio University)
- Phillip Stephen Oberrecht, Hamilton  
B.A.
- Adele Ellen Conner, Cincinnati  
B.A. (University of Cincinnati)
- Rodney Kevin O'Donnell, Omaha, Neb.  
B.A. (University of Nebraska)
- Robert Emmet Olwell, Bronx, N. Y.  
B.A. (Fordham University)
- Joseph Mitchell Gser, Columbus  
B.S.Ed.
- Dennis Marc Papp, North Olmsted  
B.A. (Wittenberg University)
- Ralph Frederick Pariser, Columbus  
B.A.
- Mark Allen Pehrson, Scottsville, Mich.  
B.S. (Central Michigan University)
- David Christopher Penzone, Columbus  
B.S.Bus.Adm.
- Paul Elmer Perry, Somerset  
B.A.
- John Luther Phillips, Centerville  
B.S. (Florida Southern College)
- George Frank Pierce, Glencoe  
B.A. (Wittenberg University)
- Judith Ann Pierce, Indiana, Pa.  
B.A. (Allegheny College)
- Elliot M. Pinta, New York, N. Y.  
B.A. (Brooklyn College)
- Brian Scott Piper, Ann Arbor, Mich.  
B.A. (Capital University)
- Bartholomew Erwin Poindexter,  
Philadelphia, Pa.  
B.A. (Pennsylvania State University)
- Timothy Alan Pressler, Portsmouth  
B.A. (Miami University)
- Richard Anthony Princic, Willoughby  
B.A. (Allegheny College)
- Michael Radabaugh, Ashland  
B.A. (Ashland College)
- Allen Jeffrey Reis, University Heights  
B.A.
- Douglas Stuart Roberts, Columbus  
B.A. (Ohio University)
- Aaron Philip Rosenfeld, Columbus  
B. of Bus.Adm. (University of Iowa)
- George Henry Rosin, South Euclid  
B.A. (Wittenberg University)
- John William Rudduck, Wilmington  
B.A. (Miami University)
- Barbara Jean Rue, Chagrin Falls  
B.A. (Denison University)
- Kurt George Sarringhaus, Middletown  
A.B. (Ohio University)
- David Brian Schechtman, Chicago  
B.S. (University of Illinois)

\* Also Master of Arts, Graduate School  
<sup>1</sup> Also Doctor of Philosophy, Graduate School

Linda Diane Schenke, Lakewood, Colo.  
B.A. (Case Western Reserve University)

Lawrence Frank Schiller, Charleston, S. C.  
A.B. (Oberlin College);  
M.A.T. (The Citadel)

John Michael Schmarr, Columbus  
B.A.

Charles Allen Schneider, Detroit, Mich.  
A.B. (University of Michigan);  
M.A. (Ball State University)

David Michael Segal, Portsmouth  
B. of Bus. Adm. (Kent State University)

John Stephen Sensny, Parma  
B.S.E.P.

Charles Wilbur Shifley, Galion  
B.S.M.E.

Sally Ann Sickles, Caledonia, N. Y.  
B.A. (Clark University)

J. William Sikora, Cleveland  
A.B. (Borromeo Seminary of Ohio)

Howard David Silver, Dayton  
B.A. (University of Wisconsin)

Howard Andrew Silverman, Delmar, N. Y.  
B.A. (University of Rochester)

Mark Andrew Skidmore, Rome  
B.A. (Mount Union College)

Richard Sherman Sloan, Erie, Pa.  
B.A.

Steven Edward Smathers, Columbus  
B.S.

Andrew Justin Sonderman, Warren  
B.A. (Kent State University)

Robert Joseph Stayduhar, Pittsburgh, Pa.  
B.S. (Pennsylvania State University)

Robert Francis Steinmetz, Cleveland  
B.A. (Bowling Green State University)

Darryl A. Stewart, Cleveland  
B.A., M.A. (Kent State University)

Gregory Alan Stobbs, Springfield  
B.S.E.E.

Raymond Joseph Studer, New Washington  
B.S.Soc.Wel.

Charles David Swaney, Springfield  
B.S.

Judith McPherson Swanson, Columbus  
B.A. (Michigan State University)

Helen Cassandra Teague, Nashville, Tenn.  
B.A. (Fisk University)

Thelma Ruth Thomas, Arcardia, La.  
B.A. (Grambling College)

Larry Richard Thompson, Vandalia  
B.A. (Wittenberg University);  
M.S. (California State College)

William Michael Todd, Maple Heights  
B.A. (University of Notre Dame)

Thomas Joseph Travers, Jr., Youngstown  
B.A. (Athenaeum of Ohio)

D. John Travis, Parma Heights  
B.S.

Robert Lee Trierweiler, Buffalo, Wyo.  
B.S. (Colorado State University)

William Henry Truax, Jr., Mentor  
B.A.

Robert Carl Tucker, Cleveland  
B.A. (Williams College)

Richard Harvey Underwood, Columbus  
B.S.Bus.Adm.

William Franklin Utterback, Columbus  
B.A.

Craig James Van Horsten, Medina  
B.A. (Miami University)

Keith Martin Walker, Sharon, Pa.  
B.A. (Michigan State University)

Michael Lamont Ware, Columbus  
B.A. (Wittenberg University)

Robert Bruce Watson, Allen Park, Mich.  
A.B. (Wayne State University)

Roger Torr Whitaker, Trotwood  
A.B. (University of Michigan)

Catherine Betty Wilder, Columbus  
B.S. (Wright State University)

John Allen Wilmes, Dayton  
B.S.Ed.

Joseph Morris Wilson, Columbus  
B.A. (Chico State College);  
M.A. (University of Washington)

Joseph Charles Winner, Circleville  
B.S.Ch.E. (Purdue University)

Dennis Franklin Wolford, Washington C.H.  
B.A.

David Wayne Woodring, Kent  
B.A. (College of Wooster)

Joseph Theodore Zwayer, Columbus  
B.S.Bus.Adm.

Richard Allen Armstrong, Toledo  
B.S. (Kent State University)

Ronald Eugene Arrick, Lucasville  
B.S. (Muskingum College)

Stanley David Beder, Beachwood  
B.A. (Case Western Reserve University)

Janet Welch Bennett, Dayton  
B.S. (Howard University)

James Allen Blackman, Wakeman  
B.A.

Mark Alfred Blazek, Cleveland  
B.A. (Saint Louis University)

George Thomas Block, Chesterland  
B.S.E.E. (Purdue University)

Edward Tharp Bope, Somerset  
B.S.

Mary Pat Borgess, Toledo  
B.S. (University of Toledo)

Michael Higgins Bowman, Ironton  
B.S., M.S. (Ohio University);  
Ph.D.

John Robert Boyle, Columbus  
B.A.

Patricia Ann Brady, Cincinnati  
B.S. (University of Denver)

David Ray Brandau, North Canton  
B.S.

Leslie Joan Boyle Bronn, Cambridge  
B.S.

John Arthur Brown, Barberton  
B.A. (College of Wooster)

Larry Dean Brown, Arcanum  
B.A.

John Thomas Broyles, Columbus  
B.S.

Joseph Alan Butts, Circleville  
B.S. (Ohio University)

Keith Edward Byers, Akron  
B.S.

John Richard Casuccio, Steubenville  
B.S. (Bethany College);  
M.S. (University of Tennessee)

Jolinda Lee Caswell, Wayne  
B.S. (Bowling Green State University)  
Howard Joseph Cheshire, Wadsworth  
B.A.

Michael Allen Clark, Columbus  
B.S., Ph.D.

Rebecca Adams Cline, Fairborn  
B.S.

Richard Glen Cline, Grove City  
B.S.

Kim Jacob Coffman, Dayton  
B.A.

Chad Reev Cohen, Columbus  
A.B. (Kenyon College)

Harold Albert Conrad, Jr., Bay Village  
A.B. (Miami University)

John Dennis Cunningham, The Plains  
B.S. (Ohio University)

---

## College of Medicine

Dean: Henry G. Cramblett, M.D.

### Doctor of Medicine

One hundred and eighty-four candidates

Frida Pogosciuk Abrahamian, Columbus  
Magister Artium (University of Lodz,  
Poland)

Robert Clark Adams, Van Wert  
B.S.

Christian Ellsworth Allan, Evanston, Ill.  
B.A., M.S. (Northwestern University)

Thomas James Allerding, Mt. Vernon  
B.S. (Miami University)

Sherman John Alter, Dayton  
B.S. (University of Dayton)

Wallace Leon MacLeod Alward, Lakewood  
B.A. (Kenyon College)

Craig Warren Anderson, Columbus  
B.S. (Muskingum College)

Richard Allen Ansinelli, Cape Coral, Fla.  
B.S.

William George Danneman, Cincinnati  
B.S. (Xavier University)

Daniel Frank Danzl, Cincinnati  
B.S. (University of Cincinnati)

Michael John Delphia, Columbus  
B.S.

Alfred Anthony DeMaria, Jr., Steubenville  
B.A. (Johns Hopkins University)

Lawrence Alfred Detwiler, Lakewood  
A.B. (Dartmouth College)

John Andrew Drstvensek, Lorain  
B.S. (University of Cincinnati)

Robert Allen Durbin, Columbus  
B.S.

Joseph Charles Eichel, Somerville, N.J.  
B.S. (Georgia Institute of Technology)

David Paul Evans, Oak Hill  
B.A. (Miami University)

Robert Edward Falcone, Euclid  
B.A. (Kent State University)

Floyd Joseph Fantelli, Cleveland  
B.S.

Robert Walter Faulkner, Garrettsville  
B.S. (Kent State University)

John Frederick Flory, Columbus  
B.A.

Neil Ray Fosnaugh, Amanda  
B.A.

Wendel Mathew Friedl, Jr., Parma  
B.S.

William Alan Friedman, Cincinnati  
A.B. (Oberlin College)

Alan Frank Frigy, Parma  
B.A. (Kenyon College)

William Arthur Garringer, South Vienna  
B.S.

Allen Louis Gaspar, Waterville  
B.A.

Edward Frank Geneva, Akron  
B.S.

Ann Clark Ghory, Cincinnati  
B.A. (Indiana University)

Frank Weyand Giese, Cincinnati  
B.S. (Xavier University)

Howard Bruce Glazer, University Heights  
B.S.

Dean David Goldberg, Columbus  
B.S.

Michael Terry Goodman, Westerville  
B.S. (Capital University); M.S.

Neil Edward Gordon, Poland  
B.A. (University of Notre Dame)

Eric Alan Goulder, Columbus  
A.B. (Oberlin College)

Ted William Grace, Scio  
B.A.

Charles Gary Green, Richmond Heights  
B.A. (Hiram College)

Margaret Sue Greenwald, Poland  
B.S. (Michigan State University)

Mary Beth Rogers Hall, Piqua  
B.A. (Ohio Wesleyan University)

Thomas Joe Hall, Strasburg  
B.S. (University of Akron)

Rundy Lee Hanzlick, Salem  
B.A.

Craig Kurt Harris, Bryan  
B.S.

James Harris, Seven Hills  
B.L.S. (Bowling Green State University)

Kerry David Hayden, Cincinnati  
B.S. (University of Cincinnati)

Robert Lewis Heacock, Dunkirk  
B.S.

Richard Woodington Henthorn, Cincinnati  
B.S. (Rose-Hulman Institute of  
Technology)

Jerome C. Hightower, Youngstown  
A.B. (Youngstown State University)

Philip Edward Hinkle, Chillicothe  
B.S. (Ohio University)

James Edmund Hodsden, Baltimore  
B.S.

Mark Hofstetter, Cleveland Heights  
B.S. (University of Michigan)

Ruth Ann Holzhauser, Findlay  
B.S. (College of Wooster)

Susan Lee Hubbell, Lima  
A.B. (Miami University)

Robert Gordon Huber, Cuyahoga Falls  
B.S. (University of Akron)

Stephen Douglas Hughes, New Carlisle  
A.B. (Miami University);  
M.S. (University of Colorado)

Richard Alan Jackson, Richfield  
B.S. (Massachusetts Institute of  
Technology)

Scott Weyburn Johnson, Columbus  
B.A.

Arthur Patrick Jonas, Dayton  
B.S. (United States Military Academy)

Robert Lee Kalb, New Washington  
B.A. (Capital University)

John Gould Kelsey, Cincinnati  
B.S. (University of Cincinnati)

Pamela Heiligenberg Kempert, Dayton  
B.S. (University of Dayton)

William Balint Kerek, Cuyahoga Falls  
B.A. (College of Wooster)

Donald Gregory Kikta, Garfield Heights  
B.S. (University of Dayton)

Steven Douglas Kilian, Waynesville  
B.A.

John Frederick King, Maumee  
B.A. (Miami University)

Mary Terlaak King, Columbus  
B.A. (Saint Mary's College, Indiana)

George Robert Knoll, Urbana  
B.S. (Wright State University)

Richard Stephen Kyler, Toledo  
B.A. (College of Wooster)

Michael Lewis Laccheo, Chesterland  
B.S. (Heidelberg College)

Kathryn Ann Lamb, Columbus  
B.S.

Mark Douglas Latta, Postoria  
B.S.

Gary Hobart Lea, Toledo  
A.B. (Wittenberg University)

Paul Conrad Leidheiser, Jr., Columbus  
B.S.

Gary Nicholas Lesko, Westlake  
A.B. (University of Michigan)

David Eugene Lindsey, Kenton  
B.S.

John Morrow Livingston, Columbus  
B.A. (Wittenberg State University)

Lawrence Edward Lohman, Cuyahoga Falls  
B.A. (Denison University)

Duncan Campbell MacIvor, Marysville  
B.A. (Ohio Wesleyan University)

Joseph James Malleske, Brook Park  
B.S. (Saint Edward University)

Jack Paul Mann, Jr., Kent  
B.A. (Kent State University)

Wilma Ann Mansfield, Athens  
B.S. (Ohio University)

Howard Elias Marshall, Courtland  
B.A. (Kent State University)

James Edward Masten, Wickliffe  
B.S. (Cleveland State University)

Robert Kenneth May, Akron  
B.S. (Miami University)

Dean John Mayors, Youngstown  
B.S. (University of Notre Dame)

Michael Kent McCloud, Columbus  
B.S.

Stephen Paul McClure, Parma Heights  
B.A. (Ohio Wesleyan University)

Daniel Thomas McCrone, Cleveland  
B.S. (University of Cincinnati)

Mary Jo McMullen, Cincinnati  
B.S. (College of Mount Saint Joseph on the  
Ohio)

John Francis McNamara, II, Columbus  
B.S. (Bowling Green State University)

Mark Andre Medvedeff, Akron  
B.A.

David Mark Meisler, University Heights  
B.A. (Boston University)

Carl Mark Melina, Ashtabula  
B.S. (University of Toledo)

Elliot Morton Michel, Lyndhurst  
B.S. (University of Wisconsin)

Sally Elizabeth Mitchell, Fairborn  
B.A. (Saint Mary's College, Indiana)

Michael Steven Mull, Canton  
B.A.

Marcia Jean Mumpower, Kettering  
B.S. (Ohio University)

Fred Steven Mushkat, Columbus  
B.S.C.I.S.

Craig Alan Nachbauer, Cincinnati  
B.A. (Miami University)

James Francis Nappi, Ashtabula  
B.S. (John Carroll University)

Terry Anthony Newlove, Cincinnati  
B.A. (Case Western Reserve University)

Robert Willard Olds, Jr., Warren  
B.A. (College of Wooster)

Mac William Otten, Jr., Centerville  
B.A. (University of Toledo)

Joseph Lawrence Panzner, Akron  
B.S.

Nedden Lee Parmer, Alexandria  
B.S.

Bruce Arthur Pasch, Toledo  
B.A. (Wittenberg University)

Larry Norman Pasley, Cincinnati  
B.S., M.S. (Purdue University)

Roger Steve Phillips, Miamisburg  
B.A. (Miami University)

Dennis Richard Pilarczyk, Cleveland  
B.A. (Cleveland State University)

John Steven Polsley, Urbana  
B.S. (Ohio Northern University); M.S.

Phillip James Poon, Cincinnati  
B.A. (Northwestern University)

Susan Lee Powers, Montpelier  
B.A. (Carnegie Institute of Technology);  
M.A. (Middlebury College)

Steven Joseph Raible, Cincinnati  
B.S. (University of Cincinnati)

Curtis Woodrow Ramey, Columbus  
B.S.

William Robert Renner, Bellbrook  
B.S. (University of Dayton)

Patrick Andrew Ricciardi, Norton  
B.S. (University of Akron)

Charles Frank Rieder, Columbus  
B.S.C.I.S.

Mark Steven Rigo, Athens  
A.B. (Ohio University)

Thomas Edward Rojewski, Wayne  
B.A. (Ohio Northern University)

Stephen Lawrence Ruedrich, Columbus  
B.S.

Stephen Samuel Ruehle, Toledo  
B.A.; M.A. (Purdue University)

Karl Curtis Saunders, Duncan Falls  
A.B. (Duke University)

Linda Alice Scharshmidt,  
Cleveland Heights  
B.A. (Miami University)

Marion Lee Schmucker, Louisville  
B.S. (Eastern Mennonite College)

Timothy Jay Schrader, Carrollton  
B.S. (University of Akron)

Mark Louis Segal, Cleveland Heights  
B.S.

Jerry Dwight Sell, Rockford  
B.S.

Charles Alan Sholiton, Akron  
B.S. (University of Michigan)

Henry Rupert Silverman, III, Toledo  
B.A. (Northwestern University)

Darryl Rex Smith, Cincinnati  
B.A.

Richard Allen Stark, Norwalk  
B.S. (Wheaton College, Illinois)

Lucille Elizabeth Stine, New Philadelphia  
B.S. (Denison University)

Richard David Strominger, Troy  
B.S. (Bowling Green State University)

Robert Elmer Stuart, Pataskala  
B.S.

Karen Jean Stuck, Lancaster  
B.S. (University of Michigan)

William Wilson Temple, Jr., Marion  
B.S. (University of Miami)

Joseph Frank Tepy, Sandusky  
B.S. (Bowling Green State University)

Michael Jonathan Timpone, Dayton  
B.S.E. (University of Dayton)

Sheldon Martin Traeger, Beachwood  
B.S.E. (University of Michigan)

Karen Sue Wagenhals, Columbus  
B.S.

Donald Ray Watren, Cincinnati  
B.S. (University of Cincinnati)

William Daugherty Watson, II, Wooster  
B.S. (Allegheny College)

Carl Sylvester Wehri, Cloverdale  
B.S.

Philip Carlin Weimer, Columbus  
B.A.

Mary Jo Panzone Welker, Columbus  
B.A.

Wallace Edward Wengler, Oxford  
B.A.

Larry William Weprin, Dayton  
B.S. (Syracuse University)

Daniel Edward Wertman, Jr., Novelty  
B.A. (Ohio Wesleyan University)

Christopher Tonneson Westfall, Toledo  
B.S. (United States Military Academy)

Steven Herbst Wiggins, Findlay  
B.S. (Bowling Green State University)

Ronald Dean Winland, Pleasant City  
B.S.

Murray Michael Wolfe, Akron  
B.S.

William Roger Wright, Lima  
B.A.

Elizabeth Ann Young,  
Arlington Heights, Ill.  
B.S. (University of Dayton)

Donald Mathias Zimmerman, Columbus  
B.S. (Miami University)

Sherry Beth Zox, Columbus  
B.S. (Newcomb College of Tulane  
University)

## School of Allied Medical Professions

### Bachelor of Science in Allied Health Professions

One hundred and thirty-five candidates

Gregory T. Absten, Grove City  
Teresa McComb Absten, Grove City  
Nancy Kay Adams, Gallipolis  
Grace Omotosho Adinlewa, Akure, Nigeria  
Debra Kay Allison, Salem  
Craig Jon Anderson, Virginia Beach, Va.  
Amelia Balale, Euclid  
Joan Alaine Becker, Toledo  
Theresa Mary Berchtold, Troy  
Ann Elizabeth Berens, Brentwood, Tenn.  
Daniel Allen Bibbey, Portsmouth  
Dolores Jean Bihl, Circleville  
Catherine Anne Bissonette, Dayton  
Alexandra Mary Blair, Columbus  
Janice Marie Bok, Sherwood  
Martha Rose Bonifas, Cloverdale  
Tamara Lee Bowman, Columbus  
Rebecca Jane Brokaw, Piqua  
Betty Louise Brown, Zanesville  
David Theodore Brown, Lima  
Lynn Carol Buchan, Jefferson  
Barbara Ann Burton, Kettering  
Gary Alvin Carnes, Reynoldsburg  
Lisa Chaney, Wilmington  
Myrlyn Therese Chokan, North Olmsted  
Dorothy Jean Christensen, Cincinnati  
Ann Laraine Kolarik Conus, Columbus  
Randall Lee Corbett, Columbus  
Lisa Diane Craig, Columbus  
Jennifer Jo Craig, Willoughby  
Peter Marion Crane, Grove City  
Laurel Ann Crosby, Cleveland  
Debra Ann DeLeonardis, Steubenville  
Louise Margaret Dickman, Fort Jennings  
Marguerita Ann Donatelli, Maple Heights  
Wendy Lee Emmer, Reynoldsburg  
Elaine Phyllis Feinberg, Pittsburgh, Pa.  
Susan Rochelle Feld, Louisville, Ky.  
Paula Colette Fowler, Massillon  
Georgiana Jean Friddle, Toledo  
Linda Lee Fuhrmann, Cincinnati  
Timothy Harold Furman, Barberton  
Katherine Jane Gold, Cleveland Heights  
Deborah Jane Gridley, Delaware  
Charles Henry Grieve, Jr., Carroll  
Raymond Kenneth Harple, Canton  
Sandra Adkins Hartman, Pecos, Tex.  
James Roy Haskins, Columbus  
Deborah Lee Hauck, Cincinnati  
Catherine Joan Hoelzel, Cuyahoga Falls  
Harry Richard Hoerr, Jr., Cincinnati  
Janet Anne Howells, Canal Winchester  
Janice Mary Huy, Cincinnati  
Charlene Jacobs, Baltimore, Md.  
Linda Lee Kandel, Beachwood  
Paige Ellen Kaplan, Cincinnati  
Janice Kathleen Kelly, Lancaster

Deborah Meesig King, Amherst  
 Peggy Ann Kinnear, Westerville  
 Nancy Louise Klenk, Kettering  
 Susan Ruth Knight, Stow  
 Nancy Lynn Gyde Kreager, Oak Harbor  
 Wayne Holden Kromer, Huron  
 Denise Jean Lamm, Euclid  
 Marian Lynn Lapcevic, Scenery Hill, Pa.  
 Walter Latacz, Yorkville  
 Maggie Inés Leong, Macao, South China  
 Alice Karen Lindeman, Amherst  
 Pamela Goertemiller Mann, Reading  
 Deborah Leanne Sebo Marlier, Pomeroy  
 Darlene Kay McClure, Springfield  
 Patrick David McEvoy, Marysville  
 John Charles McKenzie, Newfield, N. J.  
 Kathleen Grace Smith McKnight,  
 Columbus  
 Robert Davis McVey, Steubenville  
 Pamela Sue Mercer, Akron  
 Christa Jane Merkle, Columbus  
 Robert Steven Miller, Massillon  
 Linda Kay Moore, Canton  
 Marvin Randolph Moore, Cincinnati  
 Daniel Neil Moretta, Navarre  
 Ann Marie Morgenroth, Cincinnati  
 Leslie Kay Morrison, Rocky River  
 Debra Sue Moskovitz, Youngstown  
 Rebecca Lynne Murray, Fremont  
 Rita Royer Musilli, Columbus  
 Nancy Kathryn Nelson, Parma Heights  
 William Howard Noble, III., Akron  
 Jane Evelyn Patterson, Ashland  
 Gail Elizabeth Peticolas, Worthington  
 Beth Ann Phillips, Canton  
 Susan Helen Pierson, Cuyahoga Falls  
 Lynne Postle, Columbus  
 Sharon Landis Rebmann, Nova  
 Mack Andrew Rector, Cincinnati  
 Karen Leigh Richeson, Spencerville  
 Linda Diane Riestler, Marion  
 Barbara Ann Roberts, Cleveland  
 Susan Billingsley Rollings, Reynoldsburg  
 Carol Lee Rose, Miami Beach, Fla.  
 Joseph Rodney Ruggles, Columbus  
 Diana Lee Sabins, Marion  
 Arlene Schmidt Samowich, Reynoldsburg  
 Barbara Lou Schager, Parma  
 Nancy Jean Schmitmeyer, Minster  
 Jocelyn Ylonna Scott, Columbus  
 Richard Lawrence Segal, Cleveland Heights  
 Lynette Ann Semo, South Euclid  
 Deborah Stypinski Shafer, Columbus  
 Pamela Rae Shelton, Ironton  
 Martha Frances Shenk, Delphos  
 Donna Jean Shuster, Port Clinton  
 Roger Sherburne Slack, Arlington, Mass.  
 Debra Ann Solak, Newark  
 Carolyn Jeanne Sowers, Cincinnati  
 Carl Wayne Steele, Lisbon  
 Brenda Sue Sutherland, Kenton  
 Sheila Grace Thomas, Trumbull, Conn.  
 Marianne Tompa, Cleveland  
 Cynthia Marie Toth, Wadsworth  
 Lucille Marie VanVliet, Madison  
 Dorothea Mary Catherine Varga,  
 Fairview Park  
 Pei Eng Wang, Fairport Harbor  
 Betty Ann Weaver, Reynoldsburg  
 Richard Clifford Wheeler, Toledo

Larry Wiles, Kearney, Neb.  
 A.S. (York College)  
 Virginia Marie Wilke, Cincinnati  
 Mary Lynn Wilson, Xenia  
 Mary Susan Wohlfrom, Cincinnati  
 Charles Edward Wolf, Zanesville  
 Sister Julie Wolpert, Sylvania  
 Sue Ellen Womer, Fresno  
 Beverly Ann Wood, Mt. Gilead  
 Crystal Jean Losch Zerby, Canton  
 Nancy Jean Zimmerman, Fairview Park

#### Certificate of Nurse Anesthetist

Three candidates

Susan Goodpaster Lampert, West Jefferson  
 R.N. (Jewish Hospital School of Nursing,  
 Cincinnati)  
 John Edward Nawalanic, Dublin  
 B.A., B.S.Nurs.  
 John Douglas Snively, Minerva  
 B.S.Nurs.

#### Certificate of Post Baccalaureate Medical Illustrator

One candidate

Patricia Jo Helgesen, Evansville, Wis.  
 B.F.A. (Saint Mary's College, Indiana)

#### Certificate of Post Baccalaureate Medical Technologist

One candidate

Carolyn Kristina Gay, Delaware  
 B.S. (Muskingum College)

#### School of Nursing

#### Bachelor of Science in Nursing

One hundred and eighty-one candidates

Constance Louise Aber, Maple Heights  
 Brenda Osterman Alexander, Columbus  
 Elizabeth Ritchie Armour, Massillon  
 Carolyn Wills Arnold, Orient  
 R.N. (Saint Luke's Hospital School of  
 Nursing)  
 Debra Ann Atkins, Nevada  
 Marian Frances Bagby, Cleveland  
 Denise Mill Baker, Columbus  
 Carmen Maria Barga, Versailles  
 Carolyn Rose Barnhart, Dayton  
 Cynthia Katherine Belford, Urbana  
 Lynne Mae Bilow, Parma  
 Carl Janeece Bishop, Ashland  
 Linda Louise Bletso, Kent  
 Gwen Bomberger, McMurray, Pa.  
 Jacqueline Joanne Bonner, Mt. Vernon  
 Brenda Lea Bordner, Massillon

Cynthia Jo Bowers, Columbus  
 Connie Sue Brenner, Massillon  
 Deborah June Brown, Pepper Pike  
 Deborah Ann Brumter, Chardon  
 Janice Mae Butrey, Lorain  
 Deborah Anne Byrne, Columbus  
 Mary Jo Puskar Byrum, Columbus  
 Margaret Colleen Carey, Cincinnati  
 Kathleen Esther Carlson, Cleveland  
 Barbara Ann Carroll, Akron  
 Julianne Chokreff, Akron  
 Pamela Jean Christensen, Reynoldsburg  
 Deborah Ann Coleman, Columbus  
 Jean Ann Cook, Pandora  
 Susan Margaret Cooper, Urbana  
 Brenda Sue Copp, Tipp City  
 Constance Kay Cottrell, Columbus  
 Mary Murphy Counts, Sunbury  
 Susan Ann Cramblett, Seio  
 Brenda Lee Curtner, Greenville  
 Mary Madeline Cusella, Lorain  
 Barbara Brown Dalasta, Columbus  
 Christina Rose Dastoli, Youngstown  
 Anne Glassford Davidson, Tiffin  
 Kathleen Helen Davis, North Canton  
 Linda Mae Davis, Casstown  
 Karen Lynn Deken, Westerville  
 Laura Kaye Denington, Columbia Station  
 Deborah Ann Dennis, Greenfield  
 Janice Barbara Diner, Cincinnati  
 Janet Fisk Dixon, Columbus  
 Paula Jean Doneciv, North Olmsted  
 Lenore Perovshek Drews, Euclid  
 Pamela Kay Eckstein, New Washington  
 Pamela Elayne Edgar, Cadiz  
 Victoria Jean Edwards, Columbus  
 Barbara Hufford Eft, Columbus  
 Sally Lynn Elfers, Cincinnati  
 Claudia Wright Evans, Columbus  
 Rachel Ann Fauser, Lakewood  
 JoAnn Marie Ferguson, Berea  
 Patricia Marie Finerty, Kenton  
 Jeannette Marie Fouts, Columbus  
 Justine Kindley Freuler, Columbus  
 R.N. (Christ Hospital School of Nursing)  
 Sue Ann Frith, Columbus  
 Sharon Alice Fritz, Hicksville  
 Julia Gallagher Galbreath, Troy  
 Karen Elaine Garrett, Eaton  
 Frances Ann Getty, Columbus  
 Kathleen Diane Gilbert, Wadsworth  
 Gayle Dianne Glowacki, North Bloomfield  
 David Wayne Goad, Barberton  
 Diann Wayne Goodrich, Newark  
 George Garth Grant, Brilliant  
 Susan Lynne Grass, Toledo  
 Anne Lynn Grove, Columbus  
 Barbara Jean Gulling, Bucyrus  
 Sarah Greene Harmon, Columbus  
 Jacqueline Frances Harrington, Lorain  
 Nancy Rubin Hart, Columbus  
 Lisa Roxanne Harvot, Chagrin Falls  
 Patrice Anne Hayes, Grove City  
 Linda Sue Hedrick, Fremont  
 Mary Catherine Heft, Cleveland  
 Martha Carol Hein, Worthington  
 Debra Jean Hitt, Westerville  
 Beth Roberts Hownestine, Canton  
 Julia Ann Hull, Belpre  
 Leslie Joan Jacobs, South Euclid

Catherine Jansen, Columbus  
 Susan Dundon Jordan, New Holland  
 Janet Susan Katz, South Euclid  
 Pauline Kaufman, University Heights  
 Rebecca Romito Keller, Toledo  
 Carol Leigh Kennedy, Fremont  
 Rhonda Sue Knisley, Springfield  
 Linda Louise Knoth, Coldwater  
 Jenny Elizabeth Kratzer, Sullivan  
 Sandra Lee Kuchar, Orange Village  
 Ellen Marie Leahy, Brooklyn  
 Deborah Fish Lee, Columbus  
 Shelly Levy, Youngstown  
 Rebecca Slagle Lightner, Mechanicsburg  
 Stephanie G. Lipovich, Painesville  
 Kathy Ann Lopez, Huron  
 Donna Mary Madlener, Cincinnati  
 Alyn Louise Massey, Columbus  
 Marilyn Jean Maxim, Barberton  
 Patricia Lynn McGlone, Columbus  
 Patricia Lee McMahon, Cincinnati  
 Mary Pat Mc Nerney, Toledo  
 Janet Arleen Mikesell, Cadiz  
 Carolyn Sue Morris, Toledo  
 Mary Virginia Murray, Columbus  
 Renee Neumann, Lorain  
 Nancy Jean Nieman, Columbus  
 Doris Marie Ordning, Dayton  
 Robin Marie Ott, Lyndhurst  
 Mary Ann Owens, Columbus  
 Anne Helen Palmer, Chillicothe  
 Joan Kay Parrott, Mansfield  
 Ann Carey Paterson, Cincinnati  
 Barbara Murrell Payne, Delaware  
 B.A.  
 Kathleen Sue Pinkerton, Salem  
 Lynn Marie Pollock, Columbus  
 Maria Antonia Pontones, Columbus  
 Jane Haley Poulson, Columbus  
 Robin Morgan Powell, Columbus  
 Nancy Carol Puch, Columbus  
 Beverly Ann Ransdell, Cincinnati  
 Aldona Narusas Rauba, Columbus  
 Carol Lee Rausch, Columbus  
 Patricia Lynn Reinecke,  
 Overland Park, Kan.  
 Juliana Barans Reynolds, Canal Winchester  
 Katherine Marie Reynolds, Columbus  
 Sally Elizabeth Richardson, Medina  
 Nancy Hiatt Rigrish, Columbus  
 Donald Carey Rilling, Columbus  
 Milisa K Rizer, Pomeroy  
 Pamela Ann Roberts, Eaton  
 Susan Bieber Rowe, Columbus  
 Ann Marie Santarelli, Lorain  
 Patricia Ann Santisi, Youngstown  
 Elaine Sue Saulsbury, Delaware  
 Sandra Marie Schiavone, Cortland  
 Katherine Ruth Schmidt, Columbus  
 Pamela Jones Schmitt, Columbus  
 Patricia O'Grady Schmitt, Columbus  
 Tamara Lee Schwesinger, Geneva  
 Pamela Birch Scono, Columbus  
 A.S. (Canal Zone College)  
 Robert Anthony Seono, Columbus  
 Frances Marguerite Sexton, Celina  
 Patricia Robin Sexton, Celina  
 Carolyn Sue Shaweker, Columbus  
 Judith Lynn Shepelak, Miamisburg  
 Nancy Blosser Shields, Columbus

Janice McCleery Smith, Columbus  
 Jennifer Lu Smith, Findlay  
 Nancy Jane Smith, Columbus  
 Susan Lee Snoddy, Wooster  
 Kathy Ann Soukup, Columbus  
 Christine Ruth Spanagel, Parma Heights  
 Lisa Ann Sullivan, Maumee  
 Kimberlee Ann Surface, Worthington  
 Kathy May Terstappen, Gladwyne, Pa.  
 Donna Marie Thomas, Columbus  
 Gayle Wynone Thornberry, Sylvania  
 Susan Scruggs Throckmorton, Columbus  
 Mary Therese Tighe, Columbus  
 Sharon Kay Turner, Dayton  
 Marla Elaine Unterzuber, Yorkville  
 Debra Lee Vernon, Cincinnati  
 Cindy Anne Vincent, Columbus  
 Barbara Ellen Vollmer, Lancaster  
 Elaine Marie Wagner, Struthers  
 Lisa Elaine Waite, Columbus  
 Karen Patricia Welsh, Eastlake  
 Carolyn Mathilda Wenrick, Piqua  
 Bonnie Rochelle Wexler, Toledo  
 Barbara Jane Williams, Westerville  
 Debra Fritz Wilson, Cincinnati  
 Regina Yanik, St. Clairsville  
 Wendy Wesemeyer Yost, Columbus  
 Magdalen Zariecznyj, Cleveland  
 Karen Ann Zelenka, Columbus

John Douglas Emch, Hubbard  
 Bonnie Lynne Fields, Berlin Center  
 Wayne Alan Fisher, Arcanum  
 Ronald L. Fox, Mt. Vernon  
 Harry Robert Gilbert, Uniontown  
 B.S.  
 Steven M. Grout, Medway  
 °Rodney Alan Hathaway, Greenville  
 Chris Hobson, Englewood  
 William L. Huffman, Dover  
 B.A. (Wittenberg University)  
 Gregory Charles Ingram, Hallowell, Me.  
 Howard D. Jordan, Enon  
 Scott Dwayne Kammer, Sandusky  
 Ronald E. Kizar, Youngstown  
 B.A. (Youngstown State University)  
 Stephen Koos, Jr., Lorain  
 Thomas Eugene LaLonde, Enon  
 John Milton Laurent, Kenosha, Wis.  
 Donald Brian Leach, Albuquerque, N. M.  
 Glen A. Linsley, Nashville, Mich.  
 William Doyle Marks, Garfield Heights  
 Ronald John Mihalko, Youngstown  
 B.A. (Youngstown State University)  
 Steven C. Milleson, Ironton  
 James W. Moenter, Van Wert  
 David A. Niederkohr, Upper Sandusky  
 Bert J. Pederzol, Alliance  
 B.A. (Walsh College)  
 Kim Gordon Powell, Mentor  
 B.A. (Hiram College)  
 Joel Steven Riley, Fairborn  
 Douglas Frederick Ritchie, Marietta  
 Sidney E. Savitt, South Euclid  
 Scott Charles Schlegel, Mansfield  
 B.S.  
 John Schrolucke, Spencerville  
 Richard A. Slamer, Dayton  
 Ronnie J. Sluss, Willoughby  
 Gary C. Spencer, Bloomfield Hills, Mich.  
 Jonathan D. Tschanz, Miamisburg  
 Mitchell Lee Wess, Columbus  
 Thomas W. Woodward, Payette, Id.  
 B.S. (University of Idaho)

---

## College of Optometry

Dean: Frederick W. Hebbard

### Doctor of Optometry

Fifty-two candidates

James B. Albright, Worthington  
 Kevin Lee Alcxander, Maumee  
 B.S.  
 Ronald Barry Arenstein, Dayton  
 Thomas Edward Bauer, Botkins  
 Keith Allen Bednarczuk, Lebanon  
 Douglas William Bowers, Imperial, Pa.  
 Holger L. Brencher, Old Bethpage, N. Y.  
 B.A. (Hofstra University)  
 Kathryn M. Clark, Miamisburg  
 Gary Lee Clarke, Point Pleasant, W. Va.  
 Wayne Edward Culbertson, Bucyrus  
 B.S.  
 Kent Michael Daum, Marion  
 Lois Stefanides Diller, Columbus  
 Brian Arnold Dittenber, Columbus  
 Richard Peter Dychala, Philadelphia, Pa.  
 B.S. (Saint Joseph's College, Pa.)  
 °Juliet Taeko Tanada Edberg, Columbus  
 B.S. (University of Maryland)  
 Kenneth Carl Edberg, Columbus  
 B.A. (Milton College)

David A. Niederkohr, Upper Sandusky  
 Bert J. Pederzol, Alliance  
 B.A. (Walsh College)  
 Kim Gordon Powell, Mentor  
 B.A. (Hiram College)  
 Joel Steven Riley, Fairborn  
 Douglas Frederick Ritchie, Marietta  
 Sidney E. Savitt, South Euclid  
 Scott Charles Schlegel, Mansfield  
 B.S.  
 John Schrolucke, Spencerville  
 Richard A. Slamer, Dayton  
 Ronnie J. Sluss, Willoughby  
 Gary C. Spencer, Bloomfield Hills, Mich.  
 Jonathan D. Tschanz, Miamisburg  
 Mitchell Lee Wess, Columbus  
 Thomas W. Woodward, Payette, Id.  
 B.S. (University of Idaho)

\* Also Master of Science, Graduate School

---

## College of Pharmacy

Dean: Lloyd M. Parks

### Bachelor of Science in Pharmacy

One hundred and twenty-nine candidates

- Karen Gail Amberg, Columbus  
Dale Wayne Anderson, Copley  
Gregory Dwight Artis, Columbus  
Larry Lee Arwood, Columbus  
Sheree Lynn Asbury, Columbus  
Heidi Sue Baehler, Canfield  
Deborah Lee Barr, Galloway  
Richard James Boeh, Fairfield, Conn.  
Jeffrey Alan Booth, Middletown  
Karen Kay Borgert, Dayton  
Marilyn Gay Bufton, Columbus  
James Thomas Buser, Youngstown  
Salvatore Anthony Calabretta, Jr.,  
Youngstown  
Richard Carl Carano, New Middletown  
Paul Edward Carns, Parma  
Marc Lee Carroll, Columbus  
B.S.  
William Harold Dallman, Columbus  
Lawrence William DaRif, Washington C.H.  
Samuel Clayton Davis, Canton  
B.A. (Manchester College)  
Paula Louise Day, Columbus  
Ronald Louis DeChant, Avon  
Romeo Anthony DeChristofaro, Jr., Niles  
Colleen Anne DeRan, Tiffin  
Karen Lynn Dow, Harpster  
Edward Michael Duckworth, Lowellville  
Anita Gaidos Dunn, Flushing  
George Richard Everhart, Tallmadge  
Stephen John Ferenchak, Youngstown  
Michael Scott Ferriell, Eaton  
Alan Frederic Friedman, Cleveland  
Bridget Ann Fullin, Columbus  
Debra Koch Gardner, Columbus  
Dean Keith Gross, Newark  
Kenneth Michael Hale, Columbus  
Barbara Gail Han, Columbus  
Richard Craig Hartwell, Fairlawn, N. J.  
Ronald Harold Haver, Newcomerstown  
Kim David Hawksworth, Columbus  
Bekkie Ann Hayes, Kettering  
Sidney Rosenstock Hickman, Mansfield  
Danny Lee Houck, Columbus  
Robin Ann Huebner, Toledo  
George Iwaniuk, Parma  
Andrew James Jendrisak, Ravenna  
B.S., M.Ed. (Kent State University)  
Dona Jean Jones, Warren  
George Adrian Keller, Columbus  
Gregory Michael Kochak, Warren  
Leslie Joseph Kovach, Martins Ferry  
Shirley Metz Kramer, Hammondsville  
Gary Michael Kuszmaul, Warren  
Kathryn Anne Lavengood, Erie, Pa.  
Michael Alan Lazar, Delaware  
Donald Ray Leach, Springfield  
Robert Joseph Lewicki, Amherst  
Roger Hart L'Hommedieu, Grafton  
Andrew Joseph Lockshaw, III, Columbus  
Jamie Allison Loeb, Shaker Heights  
Martin Christopher Mantz, Wellston  
John Eli Marinelli, Youngstown  
B.A. (Youngstown State University)  
Rick Alan Martin, Fairview Park  
Louis Edward Mavko, Columbus  
Thomas Martin Mayock, Parma  
Martha Anne McDermott, Niles  
Rick Lee McGillvary, Union  
James Lee Mears, Columbus  
B.A. (Miami University)  
Glen Michael Melick, Johnstown  
Susan Elizabeth Meyer, Columbus  
Thomas Jeffrey Migliore, Youngstown  
Tim Ivan Miller, Coshocton  
James Edward Miner, Westerville  
Sandra Lynn Moenter, Oregon  
Richard Christopher Morris, Loveland  
Donald Eugene Morrison, Dola  
Lois Ann Grapes Murray, Elyria  
Michael Alan Nameth, Rayland  
Richard Leroy Nance, Brookville  
Harold Dryden Neal, Beavercreek  
JoAnne Mary Nemeikis, Canton  
Sara Elizabeth New, Greenfield, Ind.  
Melissa Jo North, Mt. Vernon  
Marcia Iris Nusgart, Columbus  
James Edward Paoletti, Columbus  
Karen Gayle Pappas, Poland  
Pamela Jane Patterson, North Canton  
Mary Moore Peterman, Columbus  
Terry Lee Pritchard, Akron  
Ramona Eileen Rausch, Columbus  
Donald Lee Rebich, Shadyside  
Leslie Ann Reese, Columbus  
Russell Martin Reich, Columbus  
Raymond Leo Reinhart, Flat Rock  
Walter Andrew Remlinger, Delphos  
Roger Myron Reuscher, Cincinnati  
James Daniel Riggs, South Point  
Steven Robert Ross, Columbus  
Robert Edward Rostas, Garfield Heights  
Dawn Leslie Roudebush, Alliance  
Daniel Paul Ruth, Bucyrus  
B.S.  
Mark Alan Schneider, Cincinnati  
Robert Edwin Schneider, Columbus  
David Alan Schumann, Geneva  
Jeanne Powell Scott, Thornville  
Bethany Shallenberger, Massillon  
Paul Joseph Shonebarger, Lancaster  
Jerry Siegel, Whitehall  
B.S.  
Ann Taylor Smith, Strongsville  
Mary Faye Smith, Chillicothe  
Susan Ann Smith, Mansfield  
Susan Elaine Smith, Marion  
Gary Jay Solomon, Mayfield Heights  
Gail Elizabeth Stemple, Canton  
Patricia Pivinski Stevenson, Oberlin  
Richard Paul Stover, Tiffin  
B.S. (Kent State University)  
Christy Tracy Stricker, Howard  
Nicholas Matthew Tafan, Bellaire  
B.S.  
David Mitchell Taylor, Zanesville  
David Lawrence Tefft, Columbus  
Harry John Timmerman, St. Clairsville  
B.S.  
Carol Louise Tobin, Lancaster  
James Matthew Trapp, Hamilton  
Willis Clark Triplett, Columbus  
Robert Chester Turowski,  
North Chicago, Ill.  
John Richard Uhler, Columbus  
Allan Kenneth Vrable, Columbus  
N. Craig Ward, Wharton



Arnold Burt Weinrib, Columbus  
B.S.  
Thomas William Wiley, Wapakoneta  
Bruce Alan Williams, Columbus  
Charles Edward Winzeler, Waterville

Barry Allen Diehl, New Lebanon  
B.S.Agr.  
Joseph Frank Doles, Euclid  
Steven Richard Dunham,  
Winter Haven, Fla.  
B.A. (Florida State University)

Gerard Bernard Farkas, Orient  
B.S., M.S. (Bowling Green State  
University)

William Thorley Ferner, Swanton  
B.S. (University of Toledo)

Richard Keith Fisher, Gallipolis

John Sylvester Fournier, Steubenville  
B.S.Agr.

William Klar Fox, Elyria

Michael Alan Frederick, Cleves

Claudia Jones Gardner, Great Falls, Va.  
B.S. (Virginia Polytechnic Institute and  
State University)

James Andrew Gardner, Lillington, N. C.  
B.S. (North Carolina State University)

Sara Christine Gjettum, Concord, N. H.

Michael Craig Glass, Maysville, Ky.

Kathryn Bradford Haigh, Wakeman

Neil Edwin Hanni, Stow  
B.S. (Kent State University)

Roger Allen Hart, Sherwood  
B.S.

David Richard Hayes, Arcanum  
B.S.Agr.

Paul Max Heimlich, Mt. Gilead  
B.S.Agr.

David James Heindl, Cincinnati

Ray Allen Hephner, Maple Heights  
B.S.Agr.

Jeffrey Lee House, Columbus  
B.S.

Walter Frederick Howe, Bowling Green

Thomas Lee Johnson, II, St. Albans, W. Va.

John D. Johnston, Penns Grove, N. J.  
B.S. (University of Delaware)

Anthony Lee Jones, Sidney  
B.S.

Thomas Alan Kawasaki, Willoughby

Dorsey Boyd Kindler, St. Clairsville

Kenneth Edward Knaack, Fairview Park

John Richard Kruckeberg, Palestine  
B.S.Agr.

Frederick Ellis Leach, Norfolk, Va.

Robert Spicer Legg, St. Petersburg, Fla.  
B.A. (University of South Florida)

John Gary Lengel, Chagrin Falls

Matthew French Lewis, Plymouth, Mass.  
B.A. (Boston University)

Timothy King Liffiton, Lakewood  
B.S.Agr.

Ned Spillman Lodwick, Mt. Orab

Douglas Steven Lyday, Columbus

Warren Sherman Mathey, Orville  
B.S.Econ. (Spring Hill College)

John Lewis Mauler, Bucyrus  
B.S.Agr.

James Kyle Maurer, Reynoldsburg

Lynn Michael Maurer, Botkins  
B.S.

Robert Frank McClung, Tiffin

Dennis Ray McDonald, Columbus

Lu Ann McKinney, Milford, N. J.  
B.S.

Constance Ida Mengering, Pemberville

William Martin Miller, Plymouth  
B.S.Agr.

Ronald Lee Moroff, Cleveland  
B.S.Agr.

Thomas Reid Mowery, McClure

Robert Joseph Neunzig,  
North Miami Beach, Fla.

Dennis Anthony Nowicki, Toledo  
B.S.Agr.

Daniel Lee Oberschlake, Hammersville

Troy Jesse Parks, Rinard Mills  
B.S.Agr.

Stephen Anthony Perraut, Hammersville  
B.S.Agr.

Alan Dale Peterson, Leland, N. C.  
B.S. (Campbell College)

Louise Byers Piper, Columbus  
B.S. (Suffolk University)

James Wesley Pleasant, Kenton  
B.S. (Urbana College)

Loretta Ann Price, Youngstown  
B.S.Agr.

Thomas Clifton Prince,  
Winchester, Tenn.  
B.S. (Tennessee Technological University)

Enno John Raab, Lancaster

Stephen Michael Reed, Delaware  
B.S.Agr.

Craig Robert Reinemeyer, Delphos

Bradley Hanson Reiser, Ridgeville Corners  
B.A. (Miami University)

Barry Wayne Reppart, Fredericktown  
B.S. (Kansas State University)

Jeffrey Leon Rhoad, Fostoria  
B.S.Agr.

Richard Lawrence Roberts, Columbus

Eric Baird Roth, Aurora  
B.S.

John Oren Rowe, Marion  
B.S.Agr.

James Francis Ruszka, Solon

Nancy Jane Saxe, Wellington

Betty Jo Schiller, Petersburg, Va.  
B.S.

---

## College of Veterinary Medicine

Dean: C. Roger Smith

### Doctor of Veterinary Medicine

One hundred and twenty-one candidates

Scott Lee Alexander, Pemberville

Donald Evans Alford, Hamilton  
B.S.Agr.

Christine Adella Apple, Columbus  
B.S. (Capital University); M.S.

Jerry Francis Bailey, Columbus  
B.S.Agr.

Marilyn Alice Barcroft, Mansfield

Richard Alan Bell, Middlefield  
B.M.E., M.S.

Ronald Gene Benson, Fairborn

Claudia King Berryhill, Woodsdale, N.C.  
B.A. (North Carolina State University)

Allen Post Bonnell, Columbus  
B.S.Agr.

Grant Richard Brees, Stow  
B.S. (Kent State University)

James Walter Brenneman, Dundee  
B.S.Nutrition

Michael Alan Bricker, Sheshire, Conn.

Michael Gerard Brown, Dayton  
B.S.

Alvin William Burger, Hamilton  
B.S.Agr.

Donald Lee Clinger, Forrest  
B.S.Agr.

William Thomas Collins, Jr., Lima  
B.A. (Ohio Wesleyan University);  
M.S. (University of Kentucky)

Thomas Eugene Crowl, Columbiana  
B.S.Agr.

Edward James Cuccio, Lodi, N. J.  
B.S.Agr.

David Robert Custis, Lebanon

Nancy Gongwer Deucker, McComb  
B.S. (Bowling Green State University);  
M.S. (Iowa State University)

Jack De Young, Little Falls, N. J.  
B.S. (Rutgers University)

Gary Walker Dickerson, Westerville

Peter J. Didier, Jeffersonton, Ky.  
B.S. (Western Kentucky University)

Tod Edward Schneider, Canton  
 John Kenneth Schoolmeester, Rockville, Md.  
 Lynn Edward Schutt, Alexandria, Va.  
 Anne Katherman Segedy, Casper, Wyo.  
 Arthur Eugene Segedy, Chagrin Falls  
 B.S.Agr.  
 Gerald Lee Shoemaker, Lima  
 Edward Bruce Sims, II, Kingwood, W. Va.  
 David Alan Snavely, Dalton  
 Ronald Lyn Stewart, Cambridge  
 Tad Allen Sullivan, Columbus  
 B.S.Agr.  
 Judith Ann Szczyrek, Southington  
 William Parks Taylor, Warren  
 B.S.  
 Thomas George Tecec, Brewster  
 B.A. (University of California at Riverside)  
 Mary Beth Armstrong Terrell,  
 Cleveland Heights  
 Ronald Martin Thompson, Fort Gay, W. Va.  
 B.S. (West Virginia University)  
 David Robert Thornton, Cuyahoga Falls  
 B.S. (Baldwin-Wallace College)  
 Richard Stephen Tirpak, Elyria  
 B.S.  
 Norman Tulodziecki, Cleveland  
 B.A. (Ohio Wesleyan University)  
 Max Martin vanBuren, Tiffin  
 B.S.  
 \*Michael Joe VanSchoyck, Hilliard  
 William Charles Wade, Leetonia  
 B.S.Agr.  
 Ann Eloise Wagner, Dayton  
 Gary Dennis Wehrung, Pomeroy  
 B.S. (Ohio University)  
 John Joseph Whitney, Seven Hills  
 B.S. (Cleveland State University)  
 Charles Stanley Wingfield, Milford Center  
 B.S.Agr.  
 Mark William Woodring, Stow  
 George Emery Wright, Lyndhurst  
 B.A. (Hiram College);  
 M.S. (University of Wisconsin)  
 Dennis Allan Zawie, Parma  
 David Charles Zeitz, Cincinnati

\* Also Bachelor of Science in Agriculture,  
 College of Agriculture and Home Economics

## Graduates With Honors

### Summa Cum Laude

Norma Baedke Anderson, Columbus  
Georgia Ann Armul, Maple Heights  
Henry Allen Arnett, Jackson Center  
Gary William Auman, Columbus  
Nancy Ann Ball, Columbus  
Howard Lee Black, Bellville  
Gwen Bomberger, McMurray, Pa.  
Curtis Lee Bostwick, Bay Village  
John Paul Brody, Columbus  
Janice Mae Bretrey, Lorain  
Bruce Allen Chase, Eugene, Ore.  
Timothy John Clutter, Mason  
Maria J. Codinach, Denver, Colo.  
Ann Laraine Kolarik Conus, Columbus  
Mary Murphy Counts, Sunbury  
Lisa Diane Craig, Columbus  
Jennifer Jo Craig, Willoughby  
Timothy Caryl Croll, Maple Heights  
Laurel Ann Crosby, Cleveland  
Linda Mae Davis, Casstown  
Terry Lynn Davis, Middletown  
Thomas George Dayton, Norton  
Gary Alan Deis, Kettering  
Carmen Yolanda Dorris, Greenville  
Douglas Edward Ebert, Cardington  
Barbara Darnold Elliott, Dunbar, W. Va.  
Jeanette Kay Ellis, Columbus  
Jay Douglas Ewing, Columbus  
William Lee Farel, Columbus  
Thomas John Fischer, Columbus  
Neil Victor Fledderhopp, St. Mary's  
Barry Lynn Fogle, Mt. Vernon  
Anne Marie Frayne, Springfield  
Justine Kindley Freuler, Columbus  
William Alan Friedman, Cincinnati  
Linda Marie Funk, Granville  
Lori Anna Gagliardo, Columbus  
Kathleen Diane Gilbert, Wadsworth  
Howard Bruce Glazer, University Heights  
Donald Duane Glower, Jr., Columbus  
John Henry Graham, Columbus  
Thomas Alan Green, Louisville  
Bruce Nixon Grukke, Berea  
Melissa Marsh Gruzs, Columbus  
Jean Ellen Gubbins, Parma Heights  
Roy Robert Halsey, Middletown  
Howard Sidney Harris, Findlay  
Terri Sue Hazelbaker, West Union  
Robert Lewis Heacock, Dunkirk  
Constance Lynn Headlee, Dublin  
Judith Lynn Heintz, Columbus  
Sharon Sue Hendricks, Oberlin  
Phillip Edward Hinkle, Chillicothe  
Paul Richard Hitchcock, Heath  
John Robert Hopler, Rocky River  
Janet Anne Howells, Canal Winchester  
Ann Moyer Hunt, Cleveland  
Gregory Jack Ihde, Oak Harbor  
Harry John Jordan, Baltimore  
Deborah Cohen Katz, Waterbury, Conn.  
William Joseph Kelly, Columbus  
Carol Leigh Kennedy, Fremont  
Steven R. Kerber, Columbus  
Gary Bruce Kesler, Columbus

Noreen Cheryl Kittrell, Youngstown  
Karen K. Kleinschmidt, Columbus  
Stephen Pearce King, Glenarm, Md.  
Kenneth Edward Knaack, Fairview Park  
Linda Louise Knoth, Coldwater  
Mark James Koenig, Worthington  
Kathleen Lynn Kovach, Fairview Park  
Peter Alan Lakritz, Glevdale, N. Y.  
Kathy Ann Lopez, Huron  
Milton Glenn Lucas, Hillsboro  
Robert William Malone, Alliance  
Nancy Jane Manning, Mansfield  
Martin Christopher Mantz, Wellston  
Stephen Arthur Marine, Bellefontaine  
Martha Jane Mauck, Delaware  
Marilyn Jean Maxim, Barberton  
Alan Edward Mazur, North Royalton  
Paul David McAllister, Delaware  
Terrence Joseph McCann, Gahanna  
Michael Earl McCaw, Cincinnati  
Donald Norman McClure, Cuyahoga Falls  
Michael Edward McConnell, Findlay  
Robert Myers McGreevey, Cincinnati  
Patricia Lee McMahon, Cincinnati  
Janet Arleen Mikesell, Cadiz  
Betty Morse Minutili, Columbus  
Ronald Alan Moidel, East Liverpool  
Diane Demorest Moore, Waldo  
Joseph Brian Mullen, Youngstown  
Thomas Lynn Mumaw, Dalton  
Rebecca Lynne Murray, Fremont  
Frank Christopher Nichols, Cincinnati  
George Richard Nickerson, Granville  
Scott Harold Nightingale, Toledo  
Jonathan Michael Norman, West Lafayette  
Marvin Leroy Oaks, Vandalia  
Phillip Stephen Oberrecht, Hamilton  
Patricia Anne Palmer, Defiance  
Thomas John Pavlik, Columbus  
Karen Ann Pettito, Clarksburg, W. Va.  
Jerilyn Leonard Pfaffman, Columbus  
Anne Elizabeth Philpot, Paulding  
Keith Lloyd Poling, Grover Hill  
Luanne Jane Proctor, East Liverpool  
Lorraine Kay Punzar, Euclid  
John Louis Ramey, Yellow Springs  
Elizabeth Jane Records, Lakewood  
Jeffrey Leon Rhoad, Fostoria  
Rebecca Jean Richter, Canfield  
Douglas Stuart Roberts, Columbus  
Mary Elizabeth Roccaforte, Youngstown  
Thomas Lee Rodeheffer, Grove City  
Aaron Philip Rosenfeld, Columbus  
David Wencelaus Sacha, Parma  
Marilyn Louise Sattler, Toledo  
Radu Vasile Saveanu, Columbus  
Diane Foltz Shind, Marion  
Sally Ann Sickles, Caledonia, N. Y.  
Steven Edward Smathers, Columbus  
Jennifer Lu Smith, Findlay  
Andrew Justin Sonderman, Warren  
Robin Adele Spencer, Manchester  
Alan Paul Steves, Toledo  
David Laurence Strodtbeck, Creston  
Robert Elmer Stuart, Pataskala  
Karen Jean Stuck, Lancaster  
Charles David Swaney, Springfield  
Peggy Jean Thomas, Waldo  
Larry Richard Thompson, Vandalia  
Leslie Ann Tilton, Columbus  
Candace Mengle Trainer, Cincinnati

Robert Lee Trierweiler, Buffalo, Wyo.  
Gela Genelle Tudor, Galion  
Richard Harvey Underwood, Columbus  
Michael Philip Vasko, Ashville  
Robert Bruce Watson, Allen Park, Mich.  
Mary Anne Weitzel, River Forest, Ill.  
Elizabeth Ann Wellman, Cincinnati  
Linda Lee Wetherbee, Columbus  
Roger Torr Whitaker, Trotwood  
Virginia Marie Willke, Cincinnati  
Joseph Morris Wilson, Columbus  
Joseph Charles Winner, Circleville  
Thomas Patrick Yuenger, Piqua  
Crystal Jean Losch Zerby, Canton  
Nancy Jean Zimmerman, Fairview Park

### Summa Cum Laude and with Distinction in Agricultural Education

Deborah Diane Reinhart, Botkins

### Summa Cum Laude and with Distinction in Animal Science

Faith Carole Flower, Oxford

### Summa Cum Laude and with Distinction in Biochemistry

Janet Margaret Walker, Adena

### Summa Cum Laude and with Distinction in Communication with Honors in the Liberal Arts

Jeffrey Blake Ritter, Columbus

### Summa Cum Laude and with Distinction in Dairy Science

Charles Edward Bern, Northfield

### Summa Cum Laude and with Distinction in Economics

Malcolm Corby Rich, Dayton

### Summa Cum Laude and with Distinction in Forest Science

William Erwin Wegert, Elmore

### Summa Cum Laude and with Distinction in Geology and Mineralogy

Christina Marie Emerick, Columbus

### Summa Cum Laude and with Distinction in Horticulture

John Jay Sage, Chardon

### Summa Cum Laude and with Distinction in Mathematics with Honors in the Liberal Arts

Curt Alfred Monash, Beverly Hills, Calif.

**Summa Cum Laude and with Distinction in Pharmacy**

Bethany Shallenbarger, Massillon

**Summa Cum Laude and with Distinction in Physics with Honors in the Liberal Arts**

George John Huffman, Ashland

**Summa Cum Laude with Honors in the Liberal Arts**

Mark John Jahnke, Cincinnati  
Clark Louis Murray, Centerville  
Jacqueline Mary Stechschulte, Youngstown  
Patricia Antoinette Wetmore, Canfield

**Cum Laude**

Gregory Lynn Adams, Fairborn  
John Paul Allare, Mt. Prospect, Ill.  
Kristine Parod Allen, Hebron  
Craig Jon Anderson, Virginia Beach, Va.  
Sandra Helen Armstrong, Jackson  
Robin Suzanne Baker, Cleveland  
Amelia Balala, Euclid  
Eddward Phillip Ballinger, Columbus  
Carmen Maria Barga, Versailles  
Jolynn Barry, Dayton  
William Pollard Bartlett, Jr., Columbus  
Robert Lewis Bays, Belpre  
Mark William Bean, Findlay  
Richard Frederick Beckmeyer, Bay Village  
Deborah Fafrak Bednarski, Maple Heights  
Thomas John Beman, Columbus  
Sally Mahood Beondo, Columbus  
Ann Elizabeth Berens, Brentwood, Tenn.  
Alan Frederick Berliner, Columbus  
John Franklin Berry, Minford  
Richard Francis Bestic, Youngstown  
Michael John Bezbatchenko, Akron  
Linda Bizzarri, Cincinnati  
James Allen Blackman, Wakeman  
Christen Ralph Blair, Yorkville  
Harold William Blazier, Athens  
Jeffrey Ray Blood, Conneaut  
Stephen Arden Blythe, Delphos  
Joseph Francis Boetcher, Zanesville  
Deborah Jo Boich, Dover  
Martha Rose Bonifas, Cloverdale  
Gloria Jean Bordner, Bucyrus  
Barry James Bostic, Columbus  
Richard Arthur Bouton, Akron  
James Allen Bowman, Reynoldsburg  
Michael Higgins Bowman, Ironton  
Tamara Lee Bowman, Columbus  
Michael Alan Bricker, Sheshire, Conn.  
Edward Paul Brown, Batavia  
Kathryn Franks Brown, Columbus  
Phyllis Lee Brown, Wooster  
Rena Young Brown, Columbus  
Peggy Lynn Bryant, Ashley  
Lynn Carol Buchan, Jefferson  
Don William Bulson, Sylvania  
William Joseph Burns, Columbus  
Christina Louise Cardinal, Kent  
Jolinda Lee Caswell, Wayne

Christopher Neil Chamberlin, Toledo  
John Jeffrey Chernoski, Xenia  
Mitchell Alan Chester, Lyndhurst  
Kathy Ann Chew, Shelby  
Susan Chin, Avon, Conn.  
Dorothy Jean Christensen, Cincinnati  
Craig Allen Clouse, Tiffin  
Deborah Ellen Cohen, Orangeburg, N. Y.  
Patricia Ann Comisford, Mansfield  
Sheila P. Conley, Columbus  
David Stanley Cooper, Kendall Park, N. J.  
Constance Kay Cottrell, Columbus  
Blaine Alan Crosser, Hanoverton  
Nancy Sue Cunningham, Marysville  
Jay Douglas Cutrell, Newark  
Ann Louise Davis, Richwood  
Samuel Clayton Davis, Canton  
Sharlene Davis, Dayton  
George Randall DeNicola, Wintersville  
Judith Ellen Depp, Cleveland  
Lawrence Alfred Detwiler, Lakewood  
Nancy Gongwer Deucker, McComb  
Michael Dicker, South Euclid  
Charles Thomas Dillon, Canfield  
Gregory Scott Dillon, Columbus  
Laurel Jean Doerfler, Columbus  
Lisa Beth Drumm, Columbus  
James Henry Drzemiecki, Columbus  
Victor Eugene Dutro, Zanesville  
Jeffrey Alan Easterday, Delaware  
Juliet Taeko Tanada Edberg, Columbus  
Jerry Brugler Elliott, West Mansfield  
Jill Ann Estill, Middletown  
David Paul Evans, Oak Hill  
Gloria Ann Eyerly, Mansfield  
Robert Edward Falcone, Euclid  
Mary Jo Farley, Columbus  
James Burton Farmer, Cincinnati  
Cheryl Evers Feil, Columbus  
Katherine Stuckey Felkey, Toledo  
Christopher Paul Fisher, Mansfield  
Diana Kathryn Fisher, London  
Wayne Alan Fisher, Arcanum  
Dennis Michael Fitzgerald, Findlay  
Robert Edward Fletcher, Marion  
Jack Albert Florkey, Lewisburg  
Donald Ray Fogle, Farmersville  
Michael Alan Frederick, Cleves  
Colleen Sue Frey, Harpster  
Georgiana Jean Friddle, Toledo  
Wendell Mathew Friedl, Jr., Parma  
Susan Jean Friedlander, Columbus  
Anna Kosorotoff Fries, Columbus  
Linda Lee Fuhrmann, Cincinnati  
Roxanne Rochelle Gajardo, Columbus  
Susan Marie Galicki, Richmond Heights  
Daniel Louis Gardner, Lewisburg  
Steven Leslie Gardner, South Euclid  
Lois Bletz Gatton, Butler  
Krista Dorothy Gerckens, Columbus  
Donna Ann Gessell, Akron  
Richard Eugene Geyer, Columbus  
Teresa Leigh Gibson, Columbus  
Elisabeth Jeanne Giedt, Troy  
Denise Lyn Gilliam, Springfield  
David Wayne Goad, Barberton  
Mona Sue Goldfine, Freehold, N. J.  
William Richey Graf, Cincinnati  
Neil Allyn Grossberger, Beachwood  
Michele Marie Gutman, Newark  
Paul Gregory Haas, Bainbridge

Roberta Lockwood Haddad, Waverly, N. Y.  
Patricia Nickerson Hale, Essexville, Mich.  
Mary Beth Rogers Hall, Piqua  
Sandra Adkins Hartman, Pecos, Tex.  
James Roy Haskins, Columbus  
Rodney Alan Hathaway, Greenville  
James Edward Haueter, Bolivar  
Curtis Wayne Hawkins, Steubenville  
Patrice Anne Hayes, Grove City  
Herbert Patrick Heckin, Cincinnati  
Leonard James Helfrich, Whitehall  
Melvin Henry Herbers, Elyria  
Dan Seymour Hickman, Reynoldsburg  
Sidney Rosenstock Hickman, Mansfield  
Catherine Joan Hoelzel, Cuyahoga Falls  
Sondra Spraley Hollenbeck, Dayton  
Patricia Jane Holmok, Brooklyn  
Ruth Ann Holzhauser, Findlay  
David Duane Houston, Lodi  
Diane Louise Howe, Berea  
William L. Huffman, Dover  
Russell Wayne Hughes, Marion  
Keith Carlton Hult, Chicago, Ill.  
Douglas Neil Husak, Westlake  
Richard Mark Ihendorf, Cincinnati  
Eugene Edward Imbrogno, Lorain  
Jerald Andrew Jackson, Louisville  
Clarice Elizabeth Jesberger, Sandusky  
Gregory Michael Jewell, Jackson  
Michael Lewis Jones, Columbus  
Richard Robinson Kaiser, Hudson  
Diane Brose Karl, Chatfield  
Randolph Stewart Katz, Toledo  
Janice Kathleen Kelly, Lancaster  
Marian Kennedy, Columbus  
Roderic Owen Keppeler, Edgerton  
Mary Terlaak King, Columbus  
Robert Alan Kington, Columbus  
Laurence Robert Kish, Gahanna  
Mark Joseph Kisor, Portsmouth  
Gillian Mary Kissel, Columbus  
George Henry Klay, Lima  
Jeffrey Lee Kleinman, Mayfield Heights  
Michael Derrill Kline, Hicksville  
Rhonda Sue Knisley, Springfield  
Catherine Louise Kosydar, Columbus  
Nancy Lynn Gyde Kreager, Oak Harbor  
Richard Lee Kunkle, Alvordton  
John Christopher Lanz, Cincinnati  
Marian Lynn Lapcevic, Scenery Hill, Pa.  
Brian Walter Lewis, Mentor  
Gary Alan Lewis, Enid  
Roger Hart L'Hommedieu, Grafton  
Alice Karen Lindeman, Amherst  
Thomas Leslie Long, Mansfield  
Susan Gabori Lorton, Dayton  
Karen Marie Losey, Wilmington  
John Wesley Love, Vermilion  
Craig Douglas Lovett, Cincinnati  
Roy Lowenstein, Bayside, N. Y.  
Donna Mary Madlener, Cincinnati  
Dean Phillip Mandross, St. Mary's  
Ronald Doyle Manis, Jr., Dayton  
Pamela Goertemiller Mann, Reading  
Dennis Andrew Marikis, Findlay  
Robert Frank Marino, Manhasset, N. Y.  
John Emil Marke, Lake Worth, Fla.  
Scott Donald Marshall, Dover  
Alan John Matavich, Struthers  
Gary L. Maulding, Columbus  
James Kyle Maurer, Reynoldsburg

Ronald Jay McCracken, Toledo  
 Marshall McHenry, Cincinnati  
 John Charles McKenzie, Newfield, N. J.  
 Kathleen Grace Smith McKnight, Columbus  
 Ann Victoria McLeish, Cincinnati  
 Donna Jean Meek, Columbus  
 Don Kenneth Meier, Worthington  
 Kenneth John Meyer, Bellevue  
 Richard Nardi Micacchion, Columbus  
 Eric Scott Miller, Mansfield  
 Linda Sue Miller, Circleville  
 Walter Robert Miller, Jr., Middletown  
 Mark Edward Moore, Columbus  
 Andrew Tobey Morrison, Valdez, Alaska  
 Margaret Mary Mullaney, Livermore, Calif.  
 James Allen Mullens, Hicksville  
 Lois Ann Grapes Murray, Elyria  
 Martha Nicholls Nampon, Ashland  
 John William Nau, Caldwell  
 James Michael Neumann, Crestline  
 James Robert Nieset, Millersville  
 William Howard Noble, III, Akron  
 Adele Ellen O'Conner, Cincinnati  
 Rodney Kevin O'Donnell, Omaha, Neb.  
 Kevin Martin O'Hearn, Dayton  
 Terry David Olejko, Lorain  
 Robert Emmet Olwell, Bronx, N. Y.  
 Delbert Roscoe Oney, Elyria  
 Joseph Mitchell Oser, Columbus  
 Richard Lee Overmeyer, Defiance  
 Anne Helen Palmer, Chillicothe  
 Purna Lynn Parsons, Dayton  
 Barry Paul, Pittsburgh, Pa.  
 Mark Allen Pehrson, Scottsville, Mich.  
 David Christopher Penzone, Columbus  
 John Luther Phillips, Centerville  
 George Frank Pierce, Glencoe  
 Elliot M. Pinta, New York, N. Y.  
 Charlene Susanne Powell, Columbus  
 Dorothy Poast Predmore, Galion  
 Joan Lynne Prendergast, St. Mary's  
 Richard Anthony Princic, Willoughby  
 Enno John Raab, Lancaster  
 Steven Joseph Raible, Cincinnati  
 Barbara Marie Ratkay, Canfield  
 Nancy Gail Ratterman, Worthington  
 Peter Marc Rauchenstein, Gahanna  
 Carol Lee Rausch, Columbus  
 Sharon Landis Rebmann, Nova  
 Patricia Lynn Reinecke,  
 Overland Park, Kan.  
 Craig Robert Reinemeyer, Delphos  
 Stephen Abbott Repp, Tiffin  
 Susan Mary Reynolds, Youngstown  
 Charles Michael Rhoads, Middletown  
 Priscilla Ann Rhonemus, West Union  
 Stephen Craig Richards, Columbus  
 Karen Leigh Richeson, Spencerville  
 Johnita Louise Ricketts, Columbus  
 Lawrence Allan Riehl, Middleburg Heights  
 Linda Diane Riester, Marion  
 Martin James Rinto, Crestline  
 Christine Marie Rischard, Wauwatosa, Wis.  
 Barbara Ann Roberts, Cleveland  
 Kristin Suzanne Roberts, Columbus  
 Richard Lawrence Roberts, Columbus  
 Gregg Thomson Rogers, Toledo  
 William Daniel Rogers, Carrollton  
 George Henry Rosin, South Euclid  
 Michael Clayton Ross, Springfield  
 Christine Kay Rothe, St. Mary's

Barbara Jean Rue, Chagrin Falls  
 Kurt George Sarringhaus, Middletown  
 John William Sautz, Enon  
 Linda Diane Schenke, Lakewood, Colo.  
 Lawrence Frank Schiller, Charleston, S. C.  
 John Michael Schmarr, Columbus  
 Joseph Michael Schmidt, North Lima  
 Nancy Jean Schmitmeyer, Minster  
 Charles Allen Schneider, Detroit, Mich.  
 Ellen Sue Schneiderman, Worthington  
 John Kenneth Schoolmeester, Rockville, Md.  
 Marc Allen Schwartz, Columbus  
 David Michael Segal, Portsmouth  
 Jerry Dwight Sell, Rockford  
 Diane Mary Senger, Hamilton  
 John Stephen Sensny, Parma  
 Mary Jo Shepherd, Shelby  
 Charles Wilbur Shifley, Galion  
 Howard Andrew Silverman, Delmar, N. Y.  
 Marion Rebecca Simmons, Columbus  
 Mark Andrew Skidmore, Rome  
 David Kiser Smith, Beloit  
 Nancy Jane Smith, Columbus  
 Richard Dewey Smith, Columbus  
 Susan Elaine Smith, Marion  
 Dobra Ann Solak, Newark  
 Richard Alan Solwitz, Beachwood  
 Richard Allen Sones, Kettering  
 Kathy Ann Soukup, Columbus  
 Christine Ruth Spanagel, Parma Heights  
 Beth Peterson Spencer, Columbus  
 Fredric Charles Spurck, Galion  
 Betsy Miller Stark, Columbus  
 William Stehura, Broadview Heights  
 Steven Mericle Stelzer, Rochester, N. Y.  
 Vicki Lynn Stoer, Mt. Sterling  
 Brenda Sue Sutherland, Kenton  
 Judith McPherson Swanson, Columbus  
 Judith Ann Szcurek, Southington  
 Sharon Virginia Tandy, Mentor  
 Joy Teitelbaum, Bellbrook  
 Kathy May Terstappen, Gladwyne, Pa.  
 Susan Scruggs Throckmorton, Columbus  
 William Michael Todd, Maple Heights  
 Neil Francis Tornes, Waterford  
 Cynthia Marie Toth, Wadsworth  
 Evan Louis Totten, Ashtabula  
 Thomas Joseph Travers, Youngstown  
 D. John Travis, Parma Heights  
 Robert Carl Tucker, Cleveland  
 Jane Bailey Turley, Gahanna  
 William Franklin Utterback, Columbus  
 Charlotte Clinesmith VanGuilder, Columbus  
 Craig James Van Horsten, Medina  
 Lucille Marie VanVliet, Madison  
 Dorthie Mary Catherine Varga,  
 Fairview Park  
 Paul Frank Victor, River Forest, Ill.  
 James John Wallace, Olmsted Falls  
 Teresa Lynne Waller, Ironton  
 Daniel Lyman Wander, Columbus  
 Pei Eng Wang, Fairport Harbor  
 Betty Ann Weaver, Reynoldsburg  
 Richard Earl Webb, Columbus  
 Charles Donald Weed, Columbus  
 Martin Vincent Weithman, Columbus  
 Susan Jean Werts, Tipp City  
 Toni Baumgartner Westphal, Columbus  
 Jo Ann Whaley, Troy  
 J. Randall Wheaton, Worthington  
 Rebecca Leigh Whitehead, Clyde

Terry Alan Willis, Worthington  
 John Rawlings Willoughby, III, Warren  
 Michael Jeffrey Wine, Zanesville  
 Walter Kenneth Wiseman, Columbus  
 Thomas Jerald Wolf, New Batavia  
 Dennis Franklin Wolford, Washington C.H.  
 Beverly Ann Wood, Mt. Gilead  
 Thomas W. Woodward, Payette, Id.  
 Susan Jamie Woolf, Columbus  
 Robert David Wortman, Worthington  
 Bette Catherine Yeakle, Gahanna  
 Gail Whitaker Young, Columbus  
 Georgia Sue Young, Marion  
 Bruce Jay Yovits, Columbus  
 James Michael Zablocki, Toledo  
 Rita Ann Zahradnik, Wickliffe  
 Grace Eve Zimmerman, Dayton  
 James Williams Zimmerman, Jr., Holland  
 Gregory Richard Zinser, London

**Cum Laude and with Distinction in Agricultural Economics**

Jeffrey Alan Easterday, Delaware  
 Jeffrey Ernest Wuthriek, Beloit

**Cum Laude and with Distinction in Agricultural Education/Dairy Science**

Thomas Jerald Wolf, New Batavia

**Cum Laude and with Distinction in Allied Health Professions**

Daniel Neil Moretta, Navarre

**Cum Laude and with Distinction in Animal Science**

Donald Ray Fogle, Farmersville  
 Walter Robert Miller, Jr., Middletown  
 Mary Jo Shepherd, Shelby

**Cum Laude and with Distinction in Anthropology with Honors in the Liberal Arts**

Lawrence Scott Davis, Westerville

**Cum Laude with Distinction in Chemistry**

Mark Leroy Greenlee, Columbus

**Cum Laude and with Distinction in Comparative Literature with Honors in the Liberal Arts**

Merifaith Rene Gillen, Worthington

**Cum Laude and with Distinction in English**

Jodi Lynn Kantor, Columbus

**Cum Laude and with Distinction in History with Honors in the Liberal Arts**

John Joseph Kulewicz, Columbus

**Cum Laude and with Distinction in International Studies with Honors in the Liberal Arts**

Regina Hildebrand Reid, Zanesville

**Cum Laude and with Distinction in Parks and Recreation Administration**

Pamela Ruth Taylor, Strongsville

**Cum Laude and with Distinction in Political Science with Honors in the Liberal Arts**

David Edward Beller, Lorain

**Cum Laude and with Distinction in Physics**

John Melton Pryor, Versailles, Ky.

**Cum Laude and with Distinction in Resource Development**

Richard Allen Shein, Flushing, N. Y.

**Cum Laude and with Distinction in Women's Studies with Honors in the Liberal Arts**

Alicia Ruth Lopez, Piscataway, N. J.

**Cum Laude and with Distinction in Zoology**

Carol Ann Schmidt, Hudson

**Cum Laude with Honors in the Liberal Arts**

Amelia Jane Carr, Columbus  
Kevin Michael Carter, Painesville  
Jeffrey David Chubb, Columbus  
Howard Scott Easner, Akron  
Donna Ann Gessell, Akron  
Lisa Walls Holstein, Columbus  
Blythe Lynn Hoyle, Tiffin  
Kimberly Katherine Kovach, Sebring  
Neil Mitchell Librock, Reno  
Mary Kathryn Purcell, Bellefontaine  
Rick Lee Snider, Lancaster  
Christopher Patrick Sullivan, Akron  
Steven Roger Wanamaker, Findlay  
Mark Edward Wenden, Worthington

**With Distinction in Agricultural Economics**

Timothy David Klink, Berea  
Richard John Krystowski, Avon

**With Distinction in Agricultural Education**

Kenneth Dale Davis, Leesburg  
Mary Jane Dennis, Columbus  
Thomas Herbert Rutledge, Columbus

**With Distinction in Animal Science**

Stephen Paul Abfall, Avon  
Barbara Anne Lewis, Brookville  
Richard Eugene Wiley, Canfield

**With Distinction in Biochemistry with Honors in the Liberal Arts**

Stephanie Jane Duber, Cleveland

**With Distinction in Biology with Honors in the Liberal Arts**

Sally Ann Miller, East Sparta

**With Distinction in Botany with Honors in the Liberal Arts**

Donna Marie Werblan, Girard

**With Distinction in Chemistry**

David Louis Lindner, Columbus

**With Distinction in Dairy Science**

John Daniel Adamson, Homerville

**With Distinction in Food Technology**

William Joseph Gast, St. Henry  
Phillip Lewis Minerich, Medina

**With Distinction in Forest Industrial Management**

Scott Allen Gearig, Holland

**With Distinction in History**

David Alan Zieve, Columbus

**With Distinction in Horticulture**

Roger Gordon Globig, Madison

**With Distinction in Interpretive Work**

Pamela Sue Dillon, Portsmouth

**With Distinction in Mathematics**

Steven Alan Koseciuk, Columbus

**With Distinction in Microbiology**

Donald James Styer, II, Annandale, Va.

**With Distinction in Psychology**

Rachel Marie Machuga, Fairview Park

**With Distinction in Resource Development**

Scott Randall Schnell, Apple Creek

**With Distinction in Sociology**

Allyne Esther Beach, Rawlings, Md.

**With Distinction in Wildlife Management**

Robert Howard Schmidt, Xenia

**With Distinction in Zoology**

Michael David Darcy, South Euclid  
Bonnie Sue Faust, Cincinnati

**With Distinction in Zoology with Honors in the Liberal Arts**

Marion Francis Hoelzer, Skokie, Ill.

**With Honors in the Liberal Arts**

Charles Joseph Hickey, Parma  
Norris Farwell Krueger, Marysville  
Donna Marie LaRue, Columbus  
Elaine Denise McCrate, Grove City  
Marianne Miller, Cincinnati

Stephen J. Rolfe, Columbus

Thomas Heinrich Schwarcz, Lebanon

David Conrad Showalter, Plain City

Nancy Paradis Thompson, North Olmsted

John Wilson Weis, Elmore

Richard John Willke, Columbus

Page 599 Blank

Page 600 Blank



THE OHIO STATE UNIVERSITY  
OFFICIAL PROCEEDINGS OF THE  
ONE THOUSAND ONE HUNDRED AND EIGHTEENTH MEETING  
OF THE BOARD OF TRUSTEES

Columbus, Ohio, June 4, 1976

The Board of Trustees met at its regular monthly meeting on Friday, June 4, 1976, at The Ohio State University Fawcett Center for Tomorrow, Columbus, Ohio, pursuant to adjournment.

Present: M. Merle Harrod, Chairman, John H. Dunlap, John L. Gushman, Howard D. Sirak, Patricia D. James, Chester Devenow, Warren J Smith, John D. Jacob, and Donald J. Hilliker.

\* \* \*

Minutes of the last meeting were approved.

\* \* \*

The Chairman, Mr. Harrod, introduced the new appointee to the Board of Trustees of The Ohio State University:

Donald J. Hilliker, Bellefontaine, Ohio, who was appointed by Governor James A. Rhodes for a term beginning May 14, 1976 and ending May 13, 1985.

\* \* \*

COMMITTEE APPOINTMENTS 1976-1977

WHEREAS the appointments to Committees and the representatives to the Research Foundation Board of Directors, the Development Fund Board of Directors, and the Inter-University Council for 1976-1977 are as follows:

Educational Affairs Committee

Howard D. Sirak, Chairman  
Patricia D. James, Vice Chairman  
John L. Gushman  
Warren J Smith  
John D. Jacob  
M. Merle Harrod, Ex Officio

Fiscal Affairs Committee

Chester Devenow, Chairman  
Donald J. Hilliker, Vice Chairman  
John H. Dunlap  
M. Merle Harrod, Ex Officio

OARDC Agenda Review Committee

John H. Dunlap, Chairman  
John M. Stackhouse, Vice Chairman  
Edward Q. Moulton, Secretary  
M. Merle Harrod, Ex Officio

Development Fund Board (one year)

Donald J. Hilliker  
John D. Jacob

Inter-University Council

Donald J. Hilliker

Research Foundation Board

John H. Dunlap

NOW THEREFORE BE IT RESOLVED, That the Committee appointments and the representatives to the Research Foundation Board of Directors, the Development Fund Board of Directors, and the Inter-University Council for 1976-1977 be approved.

Upon motion of Mr. Gushman, seconded by Dr. Jacob, the Board of Trustees adopted the foregoing resolution by unanimous voice vote.

o - o

June 4, 1976 meeting, Board of Trustees

RESOLUTIONS IN MEMORIAM

Resolution No. 76-1

RESOLVED, That the Board adopt the following Resolutions in Memoriam and that the President be requested to convey a copy to the families of the deceased.

Don Louis Demorest, Professor Emeritus, Department of Romance Languages and Literatures; 32 years of service

Tom B. Haber, Professor Emeritus, Division of Comparative Literature; 36 years of service

Upon motion of Mr. Gushman, seconded by Mrs. James, the Board of Trustees adopted the foregoing resolution by unanimous voice vote.

Don Louis Demorest

The Board of Trustees of The Ohio State University expresses its great sorrow upon the untimely death April 19, 1976, of Don Louis Demorest, Professor Emeritus in the Department of Romance Languages.

Professor Demorest was closely associated with The Ohio State University a large part of his life. He holds the B. A. and M. A. degrees from this institution. He was one of the first Americans to receive the distinguished Doctorat es Lettres as a result of his work at the University of Paris. After serving as Professor at Miami University (Oxford, Ohio) for several years he came to The Ohio State University in 1930 as Assistant Professor of Romance Languages, advanced to the rank of Professor in 1949, and was an active member of the faculty until his retirement in 1962. During these years he served on numerous committees in which he was courageous in championing many difficult causes. From time to time he took student groups to France. Always most gracious and very devoted to his work, his character, his personality, and his intimate knowledge of French literature had a profound influence on his students. He was internationally known as one of the leading Flaubert Scholars. His epochal "L'expression figuree et symbolique dans l'oeuvre de Gustave Flaubert" is one of the monuments in Flaubertian studies. He continued his research throughout his retirement years.

On behalf of the University, the Board of Trustees expresses to the family its deepest sympathy in its loss. It was directed that this resolution be inscribed upon the minutes of the Board of Trustees and that a copy be tendered to the family as an expression of the Board's heartfelt sympathy.

Tom B. Haber

The Board of Trustees of The Ohio State University expresses its sorrow upon the death on April 23, 1976, of Tom Burns Haber, Professor Emeritus in the Division of Comparative Literature.

Professor Haber was born May 5, 1900, at Rossburg, Ohio. He graduated in 1917 from Ansonia High School, and attended Ohio Northern University, from which he received the B. A. degree in 1921, and the B. S. in Ed. degree

June 4, 1976 meeting, Board of Trustees

RESOLUTIONS IN MEMORIAM (contd)

Tom B. Haber (contd)

in 1922. He taught English and History at Union City High School from 1921 to 1924. He came to The Ohio State University in 1924, and earned the M. A. in 1925 and Ph. D. in 1929, both in English. Dr. Haber was Instructor of English from 1927 to 1949, Assistant Professor of English from 1949 to 1966, Associate Professor of Comparative Literature from 1966 to 1968, and Professor of Comparative Literature from 1968 until his retirement in 1970.

Professor Haber published a number of books, articles, and scholarly editions, mainly on the English poet A. E. Housman. His work on Housman was internationally known.

On behalf of the University, the Board of Trustees expresses to the family its deepest sympathy in its loss. It was directed that this resolution be inscribed upon the minutes of the Board of Trustees and that a copy be tendered to the family as an expression of the Board's heartfelt sympathy.

\*

\*

\*

GENERAL RECOMMENDATIONS

Establishment of College of Social Work

Resolution No. 76-2

WHEREAS the School of Social Work at The Ohio State University is one of only nine comprehensive programs in the United States which offers the bachelor's, master's, and doctoral degrees; and

WHEREAS the faculty of the School of Social Work has formally requested collegiate status in recognition of the magnitude and scope of this area of study; and

WHEREAS the College of Administrative Science where the School of Social Work is presently administratively assigned and the Council on Academic Affairs have approved the request for the establishment of a separate college; and

WHEREAS the University Senate in Regular Meeting on May 8, 1976, has recommended the creation of a College of Social Work;

NOW THEREFORE

BE IT RESOLVED, That a College of Social Work be established at The Ohio State University, effective July 1, 1976, and that Article V, Section 6, of the Bylaws of the Board of Trustees and Rule 13.0101 of Rules of the University Faculty be revised to effect this change within the University structure.

Upon motion of Dr. Jacob, seconded by Mr. Dunlap, the Board of Trustees adopted the foregoing resolution by unanimous roll call vote.

June 4, 1976 meeting, Board of Trustees

BYLAWS OF THE BOARD OF TRUSTEES

Article V, Section 6

For educational administration the University shall be organized into a Graduate School and seventeen Colleges. The following five Colleges shall comprise the Colleges of the Arts and Sciences: the College of The Arts, the College of Biological Sciences, the College of Humanities, the College of Mathematics and Physical Sciences, and the College of Social and Behavioral Sciences. The other twelve Colleges are: the College of Administrative Science, the College of Agriculture and Home Economics, the College of Dentistry, the College of Education, the College of Engineering, the College of Law, the College of Medicine, the College of Optometry, the College of Pharmacy, the College of Social Work, the College of Veterinary Medicine, and the University College.

RULES OF THE UNIVERSITY FACULTY

13.0101. Establishment of Colleges and Graduate School.\*

For educational administration the University shall be organized into a Graduate School and seventeen Colleges. The following five Colleges shall comprise the Colleges of the Arts and Sciences: the College of The Arts, the College of Biological Sciences, the College of Humanities, the College of Mathematics and Physical Sciences, and the College of Social and Behavioral Sciences.

The other twelve Colleges are: the College of Administrative Science, the College of Agriculture and Home Economics, the College of Dentistry, the College of Education, the College of Engineering, the College of Law, the College of Medicine, the College of Optometry, the College of Pharmacy, the College of Social Work, the College of Veterinary Medicine, and the University College.

---

\*Rule initiated by Board of Trustees.

- o -

Amendment to Rules of the University Faculty

Resolution No. 76-3

WHEREAS the present Rules of the University Faculty enumerate specific fees associated with application, acceptance and various late penalty charges; and

WHEREAS each time such fees are recommended to be changed to keep these fees in line with the various other fees within this University and at other universities, official Board action is required; and

June 4, 1976 meeting, Board of Trustees

GENERAL RECOMMENDATIONS (contd)

Amendment to Rules of the University Faculty (contd)

WHEREAS all other fees and charges of this University are set forth in the Schedule of Fees and Charges which is reviewed and approved each year as a part of the University budget;

NOW THEREFORE

BE IT RESOLVED, That the specific dollar amount for such fees and charges which are set forth in the University Faculty Rules be deleted and that all such fees be incorporated within the annual Schedule of Fees and Charges of this University which is subject to the review and approval of the Trustees.

Upon motion of Dr. Jacob, seconded by Mr. Hilliker, the Board of Trustees adopted the foregoing resolution by unanimous roll call vote.

- o -

RULES OF THE UNIVERSITY FACULTY

43.01. Registration Conditional Upon Payment of Fees.

All quarterly bills, fees and deposits required from students must be paid at the Bursar's Office prior to and as a condition of registration for that quarter.

On the first day of class each quarter, each student is required to demonstrate the right to enrollment in scheduled classes by presentation of an Approved Schedule or appropriate change document and paid fee card.

43.02. Application and Acceptance Fees.\*

Section 1. Undergraduates. Undergraduate applications for first admission to the University must be accompanied by an Application Fee. This fee is non-refundable and is not credited against any other fees charged by the University.

Section 2. A non-refundable Acceptance Fee is assessed all students enrolling for the first time in one of the University's undergraduate degree-granting colleges or schools or University College. The Acceptance Fee is to be paid prior to orientation or release of registration materials.

Section 3. Professional. Professional applications for admission to the University must be accompanied by an Application Fee. This fee is non-refundable and is not credited against any other fees charged by the University.

Section 4. A non-refundable Acceptance Fee is assessed all students enrolling for the first time in one of the professional colleges of the University. Payment is to be made prior to release of registration materials.

---

\*Rule initiated by Board of Trustees.

June 4, 1976 meeting, Board of Trustees

RULES OF THE UNIVERSITY FACULTY (contd)

43.02. Application and Acceptance Fees.\* (contd)

Section 5. Graduate. A non-refundable Acceptance Fee is assessed all students enrolling for the first time in the Graduate School of the University. Payment is to be made prior to release of registration materials.

43.03. Time of Registration and Payment of Fees; Penalties.\*

Payment of fees is required of all students by the close of the third business day (last business day for graduate and professional students) preceding the first day of classes each quarter. Fees paid by mail must be postmarked the fourth business day preceding the first day of classes each quarter. Failure to meet this requirement will result in a penalty assessment, unless excused by the Assistant Vice President for Registration Services or designee.

All fees, including penalties, must be paid on or before the fourteenth day after classes begin each quarter. The University reserves the right to refuse registration if fees are not paid by the date on which they are due. Individual exceptions to this provision may be made only upon the approval of the Vice President for Business and Administration or designee.

43.04. Penalty for Payment of Fees with Bad Check.\*

Any student presenting a check for fees which is returned because of insufficient funds will be assessed a penalty and registration will be cancelled. Additionally, before registering again, the regular penalty for late payment provided for in Rule 43.03 will be assessed.

43.05. Graduate Student Petitions for Admission to Candidacy for Degree.

Graduate students who do not file their petitions for admission to candidacy for degree at the time prescribed by the regulations of the Graduate School will be assessed a penalty.

43.07. Filing Registration Forms and Changing Approved Schedules.\*

All students are required to present their registration forms with course requests each quarter at the time and place announced by the Office of Records. Failure to comply with this rule will result in a penalty assessment.

Changes in Approved Schedules in undergraduate Colleges will be made only upon approval of the College office; provided, that a student may add a course to his schedule after the first Saturday noon after classes begin only with the permission of the instructor, the Chairman of the Department or the Director of the School, and the Dean of the student's College.

---

\*Rule initiated by Board of Trustees.

June 4, 1976 meeting, Board of Trustees

RULES OF THE UNIVERSITY FACULTY (contd)

43.09. Return of Fees.\*

Section 5. If exceptional conditions prevent the presentation of the authorization to withdraw at the Bursar's Office at the proper time, and if the student has not been able to attend classes during this time, the case should be referred for decision to the Assistant Vice President for Registration Services or designee.

---

\*Rule initiated by Board of Trustees.

- o -

Naming of Buildings

Resolution No. 76-4

WHEREAS pursuant to the authority of this Board in the naming of all buildings at The Ohio State University as set forth in Article VIII, Section 7, of the Bylaws of the Board of Trustees; and

WHEREAS the President with the concurrence of his staff has recommended that the existing Natatorium and Physical Education Buildings along with the expanded facilities, the Recreation, Physical Education, Intramural Facility, be considered as one facility and be named

RICHARD C. LARKINS HALL

and that the major areas within this facility be named

MIKE PEPPE AQUATIC CENTER

and

PAUL G. BENEDUM RECREATION CENTER

NOW THEREFORE

BE IT RESOLVED, That the preceding recommendations be adopted by this Board.

Upon motion of Mr. Gushman, seconded by Mr. Devenow, the Board of Trustees adopted the foregoing resolution by unanimous roll call vote.

Budget 1976-1977

Resolution No. 76-5

President Enarson made the following statement:

I. INTRODUCTION

The recommended budget for The Ohio State University is a balanced budget. It is built upon careful and realistic estimates of income and planned expenditures. The appropriation for this, the second year of the biennium, is fixed. There are, however, a number of uncertainties and therefore this budget has been planned conservatively. I recommend its adoption.



June 4, 1976 meeting, Board of Trustees

GENERAL RECOMMENDATIONS (contd)

Budget 1976-1977 (contd)

President Enarson's statement (contd)

II. SUMMARY OF PROJECTED TOTAL EXPENDITURES  
AND REVENUES

OVERVIEW:

As you will recall, the University, as part of the State system of higher education, uses five principal expenditure categories in developing and maintaining its budget and system of accounts. They are: Instruction and General, Sponsored Research, Public Service, Student Aid and Auxiliary Services. The proposed budget is up six percent from the 1975-76 levels, increasing from a total of \$344 million to \$364 million.

The following summaries provide an overview of the University budget. Summary 1 shows the breakdown between the Columbus Campus and the Regional Campuses. Summary 2 shows a breakdown of the current and proposed expenditures, Columbus Campus, by budget categories with the percentages of change in each summary. Summary 3 lists the sources of income for all activities, Columbus Campus, along with the percentages of change. Summary 4 outlines current and proposed expenditures for all other campuses with the percentages of change.

SUMMARY 1

	<u>1975-1976</u>	<u>Proposed</u> <u>1976-1977</u>	<u>Increase</u>
Columbus			
Campus	\$335,200,000	\$354,500,000	\$19,300,000 ( 5.7%)
Regional			
Campuses	<u>8,700,000</u>	<u>9,900,000</u>	<u>1,300,000</u> (14.9%)
Total	\$343,900,000	\$364,400,000	\$20,600,000 ( 6.0%)

June 4, 1976 meeting, Board of Trustees

GENERAL RECOMMENDATIONS (contd)

Budget 1976-1977 (contd)

President Enarson's statement (contd)

SUMMARY 2

Budget Categories	1975-76	Proposed 1976-77	Portion of Total Budget 1976-77
Instruction and General Departmental Instruction and Research, Libraries, Instruc- tional Services, and Academic Support (Plant Operation and Maintenance, Student Services and Administration)	\$165, 170, 000	\$177, 130, 000 (+7. 2%)	50%
Sponsored Research Federal, State, and Private Contracts	25, 590, 000	25, 885, 000 (+1. 2%)	7%
Public Service Cooperative Extension Service, University Hospitals, Con- ferences, Other Grants and Contracts	100, 060, 000	105, 325, 000 (+5. 3%)	30%
Student Aid Scholarships, Fellowships, Stu- dent Gifts and Grants	5, 530, 000	5, 610, 000 (+1. 4%)	2%
Auxiliary Services Housing, Parking Facilities, Bookstores, Athletics, Facility Services, Student Unions, Fawcett Center for Tomorrow, Airport, Laundry	38, 865, 000	40, 530, 000 (+4. 3%)	11%
Totals	\$335, 210, 000	\$354, 475, 000 (+5. 7%)	100%

June 4, 1976 meeting, Board of Trustees

GENERAL RECOMMENDATIONS (contd)

Budget 1976-1977 (contd)

President Enarson's statement (contd)

SUMMARY 3

<u>Columbus Campus</u>			Portion of
<u>Source</u>	<u>1975-76</u>	<u>Estimated</u> <u>1976-77</u>	<u>Total</u> <u>Budget</u> <u>1976-77</u>
State of Ohio	\$110,835,000	\$122,445,000 (+10%)	35%
Federal	44,565,000	44,355,000 ( - )	13%
Instruction and General Fees	48,100,000	48,730,000 (+ 1%)	14%
Room and Board Fees	13,755,000	13,820,000 ( - )	4%
Other Revenues (Auxiliary Sales and Charges, Depart- mental and University Services, En- dowment, Gifts and Grants, Re- covered Costs, Temporary Investments)	117,990,000	125,135,000 (+ 6%)	35%
Total	\$335,245,000	\$354,480,000 (+5.7%)	100%

June 4, 1976 meeting, Board of Trustees

GENERAL RECOMMENDATIONS (contd)

Budget 1976-1977 (contd)

President Enarson's statement (contd)

SUMMARY 4

	<u>1975-76</u>	<u>Proposed 1976-77</u>
Lima Campus	\$1,961,000	\$2,247,000 (+15%)
Mansfield Campus	2,020,000	2,298,000 (+14%)
Marion Campus	1,268,000	1,373,000 (+ 8%)
Newark Campus	1,710,000	1,865,000 (+ 9%)
Agricultural Technical Institute (Wooster)	1,342,000	1,806,000 (+35%)
Wright-Patterson Graduate Center	225,000	215,000 (- 4%)
Regional Campus Admin- istration	125,000	133,000 (+ 6%)
Totals	\$8,651,000	\$9,937,000 (+14.9%)

Revenues next year in support of these programs (primarily State subsidy and student fees) are projected to be \$10,165,000, up 16 per cent over last year's revenue level of \$8,722,000 and 2 per cent above next year's proposed spending level of \$9,937,000.

III. THE INSTRUCTIONAL AND GENERAL BUDGET

OVERVIEW:

The Instruction and General Budget of the Columbus Campus is the University's key budget. It embodies all major budgetary decisions. The I & G budget supports the credit educational programs in which students enroll and pay fees and for which the University receives State tax support in an amount depending upon the number and distribution of credit hours taught by program and level. All major budget goals and priorities originate primarily from a consideration of the constraints and boundaries imposed on the I & G budget.

A. BUDGETARY CONSTRAINTS:

On March 5, 1976, I presented to the Board of Trustees a framework of constraints within which next year's budget hopefully could be developed. The constraints set down were:

- A budget balanced without drawing upon University general reserves.
- No increase in undergraduate student fees.

June 4, 1976 meeting, Board of Trustees

GENERAL RECOMMENDATIONS (contd)

Budget 1976-1977 (contd)

President Enarson's statement (contd)

- To take special note of potential State funding problems which could either delay subsidy payments or reduce their magnitude (or both).
- A realistic consideration of the probable impact of inflation.
- An assessment of fee and subsidy revenues based on best estimates of next year's enrollment mix by program and level, taking account of Ohio State's enrollment ceiling, Columbus Campus.
- To hold internal budget cuts to a minimum.

B. KEY PRIORITIES OF I & G BUDGET

The key priorities in this proposed budget have to do with student fees, faculty and staff salaries, energy, library books and contingency planning.

Student Fees.

It is recommended that undergraduate student fees for next year be kept at present levels, thereby diminishing the share of the instruction costs borne by students. However, an increase of \$100 per quarter in the non-resident surcharge for full-time graduate professional students is recommended effective Winter Quarter 1977. (This out-of-state surcharge has not been increased since July of 1969.)

Faculty and Staff Salaries.

For the third consecutive year--in an effort to advance the salary level at Ohio State and to keep pace with inflation--high value is placed on the improvement of faculty salaries and most staff salaries.

Energy.

The projected increase in the cost of energy, though appreciable, must be funded.

Library Books.

A special, supplemental allocation for the inflation-eroded book budget is recommended.

June 4, 1976 meeting, Board of Trustees

GENERAL RECOMMENDATIONS (contd)

Budget 1976-1977 (contd)

President Enarson's statement (contd)

Contingency Planning.

As one of several aspects of contingency planning to be found throughout this budget, it is recommended that a minimum of contingency funds be set aside in the amount of one percent of the I & G budget. Such funds are essential. They would be used for emergencies, to adjust college budgets for enrollment, for program improvements and for opportunity matching grants. The proposed contingency funds would serve first to aid in funding revenue shortfalls and, beyond that need, to provide a minimum of support for much needed supplemental funding of the academic programs.

C. PROPOSED BUDGETARY DISTRIBUTION

Based upon my earlier review of this matter with the Board of Trustees and, with the advice of the Faculty Compensation and Benefits Committee, the following allocations are recommended.

1. A proposed compensation package which provides:
  - \* An average increase of 7.5 percent in salaries for returning regular faculty, specials and for returning regular administrative and professional staff.
  - \* Another 0.5 percent for special salary adjustments--inequities and promotions.
  - \* An allocation of 0.5 percent to meet the full cost of Blue Cross insurance for all regular faculty and administrative and professional personnel as recommended to the Fiscal Affairs Committee.
  - \* Allocations to fund mandated increases for all classified personnel.

These allocations together would increase the personnel services portion of the Instruction and General Budget by 7 percent.

June 4, 1976 meeting, Board of Trustees

GENERAL RECOMMENDATIONS (contd)

Budget 1976-1977 (contd)

President Enarson's statement (contd)

2. Non-personnel commitments for Instructional Support.

- \* Resources for books and periodicals, for departmental equipment (instructional and office), for supplies (laboratory, classroom and office) and for services (telephone, travel, postage, etc.) would be increased by 5 percent. The library beyond this 5 percent increase, would receive a special allocation of \$150,000 for books and periodicals.
- \* Energy - The new costs next year for all utilities and the energy conservation program may be as high as \$1.6 million (up 30 percent).
- \* Unavoidable Cost Increases - New resources must be allocated to meet unavoidable increases in the cost of the existing major medical and Blue Cross insurance programs, for radiation safety, worker's compensation, the Ohio and Drake Student Unions and for student aid matching funds. These obligations require an allocation of just under \$1 million.

These allocations together would increase the Instruction and General Budget by \$3.6 million.

3. Contingency funds.

One percent of the Instruction and General Budget (\$1.7) has been set aside for contingency purposes. These funds, once released as backup funds for the 1976-77 budget, would be used to adjust college budgets for change in enrollment, for program improvements and for opportunity matching funds.

D. HOW THE BUDGET IS BALANCED

The proposed compensation package for the Instruction and General Budget would increase personnel commitments \$8.7 million. Budget increments recommended for books, equipment, supplies and services would cost \$1 million. Unavoidable cost increases, including an increase of \$1.6 million for utilities and energy conservation, total \$2.6 million. The proposed allocation of minimum contingency funds is \$1.7 million. Thus, the recommended amount of new general funds spending next year is \$14 million.

June 4, 1976 meeting, Board of Trustees

GENERAL RECOMMENDATIONS (contd)

Budget 1976-1977 (contd)

President Enarson's statement (contd)

The sources of the \$14 million in recommended increases are:

- \* An increase in the instructional subsidy of \$11.5 million.
- \* An increase in student Instruction and General revenues of \$0.5 million.
- \* An increase in unrestricted revenues of \$0.1 million.
- \* Internal savings and retrenchment of \$1.9 million.

IV. CONCLUDING RECOMMENDATIONS

Now I wish to recommend that:

- \* The attached budget summary for 1975-76, which is also presented as the budget summary for the third quarter of the current fiscal year, be approved.
- \* The budget as proposed for the fiscal year 1976-77 be approved.
- \* An increase of \$100 per quarter in the non-resident surcharge for full-time graduate professional students be approved effective Winter Quarter, 1977, as was recommended to the Educational Affairs Committee earlier.
- \* The Secretary be instructed to incorporate all supporting documents into the minutes of this meeting, including salary rolls and the schedule of fees for the 1976-77 fiscal year, and to file these materials with the official records of the University.

Upon motion of Dr. Sirak, seconded by Mr. Hilliker, the Board of Trustees approved the foregoing recommendations by unanimous roll call vote.

\*

\*

\*



THE OHIO STATE UNIVERSITY  
 1976-77 Current Funds Budget  
 Sources of Income to Support the 1976-77 Budget

	<u>Estimated</u> 1975-76	<u>Proposed</u> Budget 1976-77
<b>Columbus Campus</b>		
Government Appropriations		
State of Ohio	\$110,833,000	\$122,444,000
Federal	<u>44,563,000</u>	<u>44,354,000</u>
Subtotal	\$155,396,000	\$166,798,000
Student Fees		
Instructional and General	\$ 48,100,000	\$ 48,730,000
Room and Board	13,755,000	13,821,000
Other	<u>1,855,000</u>	<u>1,920,000</u>
Subtotal	\$ 63,710,000	\$ 64,471,000
Other Income		
Auxiliary Sales and Charges	\$ 85,588,000	\$ 90,873,000
Department and University Services	14,505,000	15,561,000
Endowment Income	2,663,000	2,849,000
Gifts and Grants	11,380,000	11,930,000
Temporary Investments	<u>2,000,000</u>	<u>2,000,000</u>
Subtotal	\$116,136,000	\$123,213,000
<b>Total Columbus Campus</b>	<b>\$335,242,000</b>	<b>\$354,482,000</b>
<b>Regional Campuses</b>		
Lima Campus	\$ 2,031,000	\$ 2,282,000
Mansfield Campus	2,088,000	2,398,000
Marion Campus	1,300,000	1,463,000
Newark Campus	1,743,000	1,941,000
Agricultural Technical Institute	1,335,000	1,866,000
Wright Patterson Graduate Center	<u>225,000</u>	<u>215,000</u>
<b>Total Regional Campuses</b>	<b>\$ 8,722,000</b>	<b>\$ 10,165,000</b>
<b>Grand Total</b>	<b><u>\$343,964,000</u></b>	<b><u>\$364,647,000</u></b>

THE OHIO STATE UNIVERSITY  
 1976-77 Current Funds Budget  
 Budgeted Expenditures for the 1976-1977 Year

	<u>Estimated 1975-76</u>	<u>Proposed Budget 1976-77</u>
<b>Columbus Campus</b>		
<b>Instructional and General</b>		
Departmental Instructional and Research	\$118,230,000	\$126,010,000
Libraries	6,328,000	6,674,000
Other Academic Support	2,029,000	2,138,000
Student Services	6,043,000	6,419,000
Plant Operation	18,416,000	20,616,000
Institutional Support	<u>14,125,000</u>	<u>15,272,000</u>
<b>Total Instructional and General</b>	<b>\$165,171,000</b>	<b>\$177,129,000</b>
<b>Sponsored Research</b>		
Research Foundation	\$ 17,790,000	\$ 17,790,000
Engineering Experiment Station	2,262,000	2,400,000
Research Administration	1,860,000	1,976,000
University Sponsored Research	1,600,000	1,533,000
Other Grants and Contracts	<u>2,079,000</u>	<u>2,187,000</u>
<b>Total Sponsored Research</b>	<b>\$ 25,591,000</b>	<b>\$ 25,886,000</b>
<b>Public Service</b>		
University Hospitals	\$ 67,512,000	\$ 70,780,000
Cooperative Extension	15,159,000	15,886,000
Other Grants and Contracts	13,340,000	14,338,000
University Sponsored Programs	2,448,000	2,671,000
Conferences	<u>1,600,000</u>	<u>1,650,000</u>
<b>Total Public Service</b>	<b>\$100,059,000</b>	<b>\$105,325,000</b>
<b>Scholarships and Fellowships</b>	<b>\$ 5,528,000</b>	<b>\$ 5,609,000</b>

Budgeted Expenditures for the 1976-77 Year (continued)

	Estimated 1975-76	Proposed Budget 1976-77
Columbus Campus (continued)		
Auxiliaries		
Student Housing	\$ 16,977,000	\$ 17,160,000
Intercollegiate Athletics	6,757,000	7,044,000
University Bookstores	3,886,000	4,356,000
Facilities Services	2,278,000	2,349,000
Student Unions	1,905,000	2,109,000
Parking Facilities	1,905,000	1,991,000
Student Health Service	1,910,000	2,049,000
University Airport	1,371,000	1,518,000
Fawcett Center For Tomorrow	1,162,000	1,193,000
Other	712,000	759,000
	<hr/>	<hr/>
Total Auxiliaries	\$ 38,863,000	\$ 40,528,000
Total Columbus Campus	\$335,212,000	\$354,477,000
Regional Campuses		
Administration	\$ 125,000	\$ 133,000
Lima Campus	1,961,000	2,247,000
Mansfield Campus	2,020,000	2,298,000
Marion Campus	1,268,000	1,373,000
Newark Campus	1,710,000	1,865,000
Agricultural Technical Institute	1,342,000	1,806,000
Wright Patterson Graduate Center	225,000	215,000
	<hr/>	<hr/>
Total Regional Campuses	\$ 8,651,000	\$ 9,937,000
Grand Total	<u>\$343,863,000</u>	<u>\$364,414,000</u>

PERSONNEL ACTIONS

Resolution No. 76-6

RESOLVED, That the personnel actions as recorded in the "Salary Roll" of the University since the May 7, 1976, meeting of the Board, including the following Appointments, Change in Title, Leaves of Absence Without Salary, Emeritus Titles, and Chairpersons of Departments, Academic Faculties and Divisions and Director of School, and promotions in faculty rank as detailed in the University Budget for 1976-1977 be approved.

Upon motion of Mr. Devenow, seconded by Dr. Sirak, the Board of Trustees adopted the foregoing resolution by unanimous roll call vote.

Appointments

Name: MARY I. MOFFITT  
 Title: Director  
 Department: Women's Studies  
 Effective: July 1, 1976  
 Salary: \$27,768.00  
 Present Position: Assistant Director, Continuing Education

Name: DONALD D. GLOWER, SR.  
 Title: Acting Dean  
 College: Engineering  
 Effective: July 1, 1976  
 Salary: \$43,968.00  
 Present Position: Chairman, Department of Mechanical Engineering

Name: CARL CHRISTIAN FORD  
 Title and Department: Wrestling Coach in the Department of Athletics and Adjunct Instructor in the School of Health, Physical Education and Recreation  
 Effective: October 1, 1976  
 Salary: \$17,448.00  
 Present Position: Associate Professor and Wrestling Coach, Ashland College

Change in Title

Name: ROBERT O. WASHINGTON  
 From: Director, School of Social Work  
 To: Dean  
 College: Social Work  
 Effective: July 1, 1976  
 Salary: \$37,008.00  
 Present Position: Associate Dean, School of Social Work, University of Wisconsin - Milwaukee

June 4, 1976 meeting, Board of Trustees

PERSONNEL ACTIONS (contd)

Leaves of Absence Without Salary

JAMES R. GAINES, Professor, Department of Physics, effective May 1, 1976 through June 30, 1976, to work and study at the new technical university in Linkoping, Sweden.

TIEN-YI LI, Mershon Professor, Department of East Asian Languages, effective October 1, 1976 through September 30, 1977, to complete work on several research projects in Taiwan and Hong Kong.

ROBERT V. DEVORE, Associate Professor, Department of Electrical Engineering, effective April 22, 1976 through April 21, 1977, to obtain research project management experience at the directorial level as Director of Basic Research and Advanced Technology, American Gas Association.

INDERJIT SINGH, Associate Professor, Department of Economics, effective October 1, 1976 through September 30, 1977, to continue his work at the International Bank of Reconstruction and Development (World Bank) in Washington, D. C.

JAMES R. BARTHOLOMEW, Assistant Professor, Department of History, effective October 1, 1976 through September 30, 1977, to accept a National Endowment for the Humanities Fellowship.

TERENCE DEUTSCHER, Assistant Professor, Academic Faculty of Marketing, effective October 1, 1976 through September 30, 1977, to accept a visiting teaching position at Cornell University.

CLYDE H. DILLEY, Assistant Professor, Department of Photography and Cinema, effective October 1, 1976 through September 30, 1977, to complete his studies at the University of New Mexico to secure his Ph. D.

JEFFREY P. OSLEEB, Assistant Professor, Department of Geography, effective October 1, 1976 through September 30, 1977, to accept a position as economist with the Federal Energy Commission.

NORLEEN M. ACKERMAN, Instructor, Cooperative Extension Service, effective July 1, 1976 through December 31, 1976, to work on a Ph. D. degree at Michigan State University.

June 4, 1976 meeting, Board of Trustees

PERSONNEL ACTIONS (contd)

Leaves of Absence Without Salary (contd)

ANNE F. ESSELBURNE, Instructor, Department of Aviation, effective October 1, 1976 through September 30, 1977, to pursue her Ph. D. degree.

CLIFFORD B. HALLAM, Instructor, Division of Comparative Literature, effective October 1, 1976 through September 30, 1977, to pursue his Ph. D. degree.

MARGARET Q. MEEKS, Instructor, Cooperative Extension Service, effective April 16, 1976 through June 30, 1976, for personal reasons.

CLARA C. SPATH, Instructor, Cooperative Extension Service, effective June 21, 1976 through June 27, 1976, for personal reasons.

Emeritus Titles

HAROLD A. BOLZ, College of Engineering - Administration, with the title Dean Emeritus, effective July 1, 1976.

KENNETH M. ABBOTT, Department of Classics, with the title Professor Emeritus, effective July 1, 1976.

CLIFFORD A. ANGERER, Department of Physiology, with the title Professor Emeritus, effective July 1, 1976.

JOHN W. BLACK, Department of Communication, with the title Professor Emeritus, effective July 1, 1976.

WOLFGANG FLEISCHHAUER, Department of German, with the title Professor Emeritus, effective July 1, 1976.

ROBERT MORRIS GATRELL, Division of Art, with the title Professor Emeritus, effective July 1, 1976.

HAMILTON GRAY, Department of Civil Engineering, with the title Professor Emeritus, effective July 1, 1976.

ROBERT C. GRUBBS, Department of Physiology, with the title Professor Emeritus, effective July 1, 1976.

JOHN H. HELWIG, Department of Veterinary Preventive Medicine, with the title Professor Emeritus, effective July 1, 1976.

RUTH BECKEY IRWIN, Department of Communication, with the title Professor Emeritus, effective July 1, 1976.

June 4, 1976 meeting, Board of Trustees

PERSONNEL ACTIONS (contd)

Emeritus Titles (contd)

R. GEORGE JAAP, Department of Poultry Science, with the title Professor Emeritus, effective July 1, 1976.

PHILIP C. KEENAN, Department of Astronomy, with the title Professor Emeritus, effective August 1, 1976.

AURELE LAROCQUE, Department of Geology and Mineralogy, with the title Professor Emeritus, effective July 1, 1976.

BARBARA LOCHER, School of Allied Medical Professions, with the title Professor Emeritus, effective May 1, 1976.

DAN MCLACHLAN, JR., Department of Geology and Mineralogy, with the title Professor Emeritus, effective July 1, 1976.

HARRY D. MOORE, Department of Industrial and Systems Engineering, with the title Professor Emeritus, effective July 1, 1976.

ARNOLD ROSS, Department of Mathematics, with the title Professor Emeritus, effective July 1, 1976.

WAVE H. SHAFFER, Department of Physics, with the title Professor Emeritus, effective July 1, 1976.

WALTER L. SLATTER, Department of Food Science and Nutrition, with the title Professor Emeritus, effective July 1, 1976.

FRANK H. VERHOEK, Department of Chemistry, with the title Professor Emeritus, effective August 1, 1976.

JAMES CARLETON YOCUM, College of Administrative Science - Research, with the title Professor Emeritus, effective July 1, 1976.

CASEY L. FREDERICKS, School of Health, Physical Education and Recreation, with the title Associate Professor Emeritus, effective July 1, 1976.

MARION T. GATRELL, Division of Art, with the title Associate Professor Emeritus, effective July 1, 1976.

MARION W. SCOTHORN, Department of Veterinary Anatomy, with the title Associate Professor Emeritus, effective July 1, 1976.

June 4, 1976 meeting, Board of Trustees

PERSONNEL ACTIONS (contd)

Emeritus Titles (contd)

ALLEN W. TROXEL, Department of Plant Pathology, with the title Associate Professor Emeritus, effective July 1, 1976.

CHARLES C. VEDDER, School of Music, with the title Associate Professor Emeritus, effective July 1, 1976.

ROBERT E. WADE, College of Dentistry - Administration, with the title Associate Professor Emeritus, effective July 1, 1976.

ALGA D. WEAVER, Cooperative Extension Service, with the title Associate Professor Emeritus, effective April 1, 1976.

LAWRENCE SPIESS, Cooperative Extension Service, with the title Instructor Emeritus, effective March 1, 1976.

Chairpersons of Departments, Academic Faculties and Divisions and Director of School

Appointment of the following persons to terms as Chairpersons of Departments, Academic Faculties and Divisions, and Director of School, effective as indicated:

July 1, 1976 through June 30, 1980

Anatomy	Ronald L. St. Pierre
Anesthesiology	William Hamelberg
Biochemistry	George S. Serif
Exceptional Children	Thomas Stephens
Food Science and Nutrition	Thorvald Kristoffersen
Genetics	J. Bruce Griffing
Geology and Mineralogy	Charles E. Corbato
Humanities Education	Robert Jewett
Industrial Technology	Donald Lux
Ophthalmology	William H. Havener
Science and Mathematics	
Education	Joseph Crosswhite
Special Services	Joseph Quaranta
Veterinary Clinical Sciences	Philip W. Murdick
Veterinary Pathobiology	Adalbert Koestner



June 4, 1976 meeting, Board of Trustees

PERSONNEL ACTIONS (contd)

Chairpersons of Departments, Academic Faculties  
and Divisions, and Director of School (contd)

October 1, 1976 through September 30, 1980

Anthropology	Daniel Hughes
Chemical Engineering	Aldrich Syverson (1)
Classics	Mark Morford
English	Julian Markels
Geodetic Science	Urho Uotila
Management Sciences	Larry P. Ritzman (2)
Philosophy	Robert Turnbull
Physical Education	Charles Mand
Public Administration	Clinton V. Oster (1)

---

(1) Through September 1978

(2) Through September 1979

July 1, 1976 through June 30, 1978

Aeronautical and Astronautical Engineering	Garvin L. VonEschen
Ceramic Engineering	William B. Shook
Computer and Information Science	Marshall C. Yovits
Engineering Mechanics	Karl F. Graff
Mechanical Engineering	Donald Glower
Welding Engineering	Roy B. McCauley

July 1, 1976 through June 30, 1977

Administrative and Social Sciences	T. Donald Rucker
Art	Robert J. Stull
Medicinal Chemistry	H. Robert Blackwell*
Pharmaceutics and Pharmaceutical Chemistry	Louis Malspeis
Pharmacognosy and Natural Pro- ducts Chemistry	Jack L. Beal
Pharmacology	John W. Nelson

October 1, 1976 through September 30, 1977

Comparative Literature and Languages	Thomas Woodson
Finance	David W. Cole
Hebrew Language and Literature	Yehiel Hayon
History of Art	Frank Ludden
Linguistics	Michael Geis
Marketing	James F. Robeson

---

\*Acting Chairman

June 4, 1976 meeting, Board of Trustees

REPORT OF RESEARCH CONTRACTS,  
GRANTS, AND GIFTS

Resolution No. 76-7

WHEREAS monies are solicited and received on behalf of the University from governmental, industrial, other agencies, alumni, and various individuals in support of research, instructional activities and service; and

WHEREAS such gifts and grants are received through the Office of Business and Administration of the University, The Ohio State University Research Foundation, the Engineering Experiment Station of The Ohio State University, and The Ohio State University Development Fund;

NOW THEREFORE

BE IT RESOLVED, That the research agreement between The Ohio State University and The Ohio State University Research Foundation for the contracts and grants reported herein, and the acceptance of the report from the Office of Business and Administration and The Ohio State University Development Fund during the month of April, 1976, be approved.

Upon motion of Dr. Sirak, seconded by Mr. Gushman, the Board of Trustees adopted the foregoing resolution by unanimous roll call vote.

SUMMARY FOR APRIL 1976

Source	No. of Projects	Support Level
Office of Business and Administration	19	\$1,431,056.00
The Ohio State University Research Foundation	43	1,489,309.00
The Engineering Experiment Station	2	<u>3,501.00</u>
		\$2,923,866.00
The Ohio State University Development Fund	3,378 Donors	633,934.28

Including Gifts-in-Kind:

Alice Lloyd Finley Memorial  
Veterinary Research Farm  
(133 acres) in Madison  
County valued at \$750,000

June 4, 1976 meeting, Board of Trustees

REPORT OF RESEARCH CONTRACTS,  
GRANTS, AND GIFTS (contd)

SUMMARY FOR APRIL 1976 (contd)

	No. of Projects	Support Level
Including Gifts-in-Kind:		
Additional specimens for the DeLong Collection of World Cicadellidae. Original gift in 1965 valued at \$50,000 with additional gift in 1972 valued at \$20,000, con- sisting of 12,000 speci- mens, present gift valued at \$16,900		
Including establishment of:		
The Wilbur H. Bruner Pork Industry Award (College of Agriculture and Home Economics)		\$ 14,000.00
The School of Allied Medical Professions Endowment Fund (School of Allied Medical Professions)		10,000.00
The Donald L. and Clara G. Glaser Scholarship Fund (College of Engineering - Department of Mechanical Engineering)		1,000.00
The Ralph B. Norris Ophthalmology Fund (Department of Ophthalmology)		1,000.00
Wayne E. and Mildred K. Smith Endowment Fund (Department of Food Science and Nutrition)		1,000.00

June 4, 1976 meeting, Board of Trustees

REPORT OF RESEARCH CONTRACTS, GRANTS, AND GIFTS (contd)

Office of Business and Administration

Federal Contracts/Grants

1. \$131,667.00 - Department of Health, Education, and Welfare, Public Health Service, Bethesda, Maryland, Cardiovascular Training Program - Training Grant, Department of Medicine, July 1, 1976 through June 30, 1977. (Grant No. 5 T01 HL05968-04)
2. \$74,639.00 - Department of Health, Education, and Welfare, Public Health Service, Bethesda, Maryland, Research and Faculty Training in Dental Anesthesiology - Training Grant, College of Dentistry, July 1, 1976 through June 30, 1977. (Grant No. 5 T01 DE00291-05)
3. \$61,178.00 - Department of Health, Education, and Welfare, National Institute of Education, Contracts/Grants Management Division, Washington, D. C., Conducting Career Education National Forum, Center for Vocational Education, effective December 10, 1975. (Contract/Order No. NE-C-00-4-0012, Modification No. 6)
4. \$51,016.00 - Department of Health, Education, and Welfare, Public Health Service, Bethesda, Maryland, Interdisciplinary Training in Developmental Biology - Training Grant, Department of Microbiology, July 1, 1976 through June 30, 1977. (Grant No. 5 T01 HD00431-03)
5. \$42,595.00 - Department of Health, Education, and Welfare, Public Health Service, Bethesda, Maryland, Clinical Chemistry - Training Grant, Department of Pathology, July 1, 1976 through June 30, 1977. (Grant No. 5 T01 GM01805-09)
6. \$19,122.00 - Department of Health, Education, and Welfare, Public Health Service, Bethesda, Maryland, Vascular Smooth Muscle Mechanisms in Hypertension - Development Award - Research Career Program, Department of Pharmacology, July 1, 1976 through June 30, 1977. (Grant No. 1 K04 HL00231-01)
7. \$5,863.00 - Federal Energy Administration, Washington, D. C., Special Project Analyst, Department of City and Regional Planning, June 14, 1976 through August 27, 1976.

TOTAL - Federal Contracts/Grants \$386,080.00

State of Ohio Contracts/Grants

1. \$1,000.00 - Ohio Real Estate Commission, Columbus, Ohio, Revision of Real Estate Law Instructor's Manual, Academic Faculty of Finance, effective April 23, 1976.

June 4, 1976 meeting, Board of Trustees

REPORT OF RESEARCH CONTRACTS, GRANTS, AND GIFTS (contd)

Office of Business and Administration (contd)

Industrial and Other Contracts/Grants

1. \$888,455.00 - National Training Fund, Washington, D. C., Conduct Instructor Training and Leadership Development Programs for the National Training Fund of the Sheet Metal and Air Conditioning Industry, Center for Vocational Education, January 1, 1976 through June 30, 1978. (NTF Contract No. .03)
2. \$84,859.00 - Midwest Universities Consortium for International Activities, Inc., Michigan State University, East Lansing, Michigan, Collaboration with Michigan State University in the Development of Graduate Education in Agriculture in Brazil, College of Agriculture and Home Economics, July 1, 1976 through June 30, 1978. (Project No. MEC-OS-4)
3. \$23,008.00 - The Ministry of Education, Imperial Government of Iran, Teheran, Iran, for providing a special training program for eleven technical department heads of the Iran Education Project, Academic Faculty of Industrial Technology Education, May 29, 1976 through June 20, 1976.
4. \$14,800.00 - Alfred P. Sloan Foundation, New York, New York, Alfred P. Sloan Research Fellowship in Chemistry, Department of Chemistry, September 16, 1976 through September 14, 1978. (No. BR-1770)
5. \$10,193.00 - Oklahoma Advisory Council, Vocational Education, Oklahoma City, Oklahoma, Study of Vocational Education Programs in the Tulsa and Oklahoma City School Systems, Center for Vocational Education, May 1, 1976 through February 28, 1977.
6. \$10,000.00 - The Rotary Club, Columbus, Ohio, for workshop in economic literacy, College of Education, May 10, 1976 through June 30, 1977.
7. \$4,961.00 - Lakota Board of Education, West Chester, Ohio, Needs Assessment, Center for Vocational Education, May 5, 1976 through September 30, 1976. (No. 76-BE-708)
8. \$3,000.00 - Parma City School District, Parma, Ohio, Third Party Evaluation for the Career Development Project, Center for Vocational Education, May 10, 1976 through July 10, 1976. (Purchase Order No. 28680, Purchase Order No. 30153, Purchase Order No. 30154)

June 4, 1976 meeting, Board of Trustees

REPORT OF RESEARCH CONTRACTS, GRANTS, AND GIFTS (contd)

Office of Business and Administration (contd)

Industrial and Other Contracts/Grants (contd)

9. \$2,550.00 - National Association for Foreign Student Affairs, Washington, D. C., Columbus International Classroom for Senior High School Students, Office of Student Services, International Programs, May 5, 1976 through June 30, 1976.
10. \$1,650.00 - The George Gund Foundation, Cleveland, Ohio, for production and distribution of a record album of traditional Ohio folk songs, Department of English, April 5, 1976 through June 30, 1976.
11. \$1,500.00 - Buckeye Local Schools, Ashtabula, Ohio, Preparation of Educational Specifications for Three New Construction Projects, Academic Faculty of Educational Administration, effective April 26, 1976.

TOTAL - Industrial and Other Contracts/Grants \$1,044,976.00

The Ohio State University Research Foundation

Federal Research Contracts/Grants

1. \$196,108.00 - U. S. Department of Labor, Employment and Training Administration, Washington, D. C., Maximizing CETA Goal Achievement Through Prime Sponsor Management Systems, Department of Political Science, 1 April 1976 through 30 June 1977. (Project 4055-A2 - Modification No. 3)
2. \$98,400.00 - National Science Foundation, Washington, D. C., Synthetic Transition Metal Homogeneous Catalysis Systems Modelled After Natural Products, Department of Chemistry, 1 July 1975 through 30 June 1977. (Project 4159-A1 - NSF Letter Dated 29 March 1976)
3. \$70,717.00 - Department of Health, Education, and Welfare, Public Health Service, National Institutes of Health, National Institute of General Medical Sciences, Bethesda, Maryland, Synthesis of Biologically Important Carbohydrates, Department of Chemistry, 1 May 1976 through 30 April 1977. (Project 1820-L - Extension No. 11)
4. \$67,614.00 - U. S. Environmental Protection Agency, Washington, D. C., Lake Erie Nutrient Control Program: An Assessment of Its Effectiveness in Controlling Lake Eutrophication, Center for Lake Erie Area Research, College of Biological Sciences, 1 April 1975 through 17 December 1976. (Project 3705-A3 - Amendment No. 2)

June 4, 1976 meeting, Board of Trustees

REPORT OF RESEARCH CONTRACTS, GRANTS, AND GIFTS (contd)

The Ohio State University Research Foundation (contd)

Federal Research Contracts/Grants (contd)

5. \$54,200.00 - U. S. Energy Research and Development Administration, Argonne, Illinois, Fundamental Studies of Metal Fluorination Reactions, Department of Metallurgical Engineering 1 May 1976 through 30 April 1977. (Project 4178-A2 - Modification No. 1)
6. \$51,800.00 - National Science Foundation, Washington, D. C., Infrared Spectroscopy for Atmospheric Chemistry, Department of Physics, 1 April 1976 through 31 March 1977. (Project 4412-A1 - New)
7. \$51,200.00 - National Science Foundation, Washington, D. C., Carbenic Processes, Department of Chemistry, 1 June 1974 through 31 May 1977. (Project 3933-A1 - NSF Letter Dated 9 April 1976)
8. \$49,814.00 - Department of Health, Education, and Welfare, Public Health Service, National Institutes of Health, National Cancer Institute, Bethesda, Maryland, Post-Transcriptional Control in Eukaryotic Cells, Department of Physiological Chemistry, 1 June 1976 through 31 May 1977. (Project 3283-A5 - Extension No. 4)
9. \$48,544.00 - Department of Health, Education, and Welfare, Public Health Service, National Institutes of Health, National Cancer Institute, Bethesda, Maryland, Inhibition and Isolation of Tumor Transport Systems, Department of Physiological Chemistry, 1 June 1976 through 31 May 1977. (Project 4199-A2, B2, and C2 - Extension No. 2)
10. \$47,300.00 - Department of State, Supply and Transportation Division, Washington, D. C., Development of the Scope of an Environmental Impact Statement on an International Regime Governing Mineral Exploration/Exploitation in Antarctica, Institute of Polar Studies, 1 April 1976 through 30 November 1976. (Project 4401-A1 - New)
11. \$47,079.00 - Department of Health, Education, and Welfare, Public Health Service, National Institutes of Health, National Institute of General Medical Sciences, Bethesda, Maryland, Deletions and Mitochondrial Genetic Recombination, Department of Genetics, 1 April 1976 through 31 March 1977. (Project 4400-A1 - New)
12. \$44,610.00 - Department of the Navy, Office of Naval Research, Arlington, Virginia, Defense Courses Entitled, "Contract Law," "Cost and Price Analysis," and "Administration," Division of Continuing Education, College of Administrative Science, 1 February 1976 through 30 September 1976. (Project 4378-A1 - New)

June 4, 1976 meeting, Board of Trustees

REPORT OF RESEARCH CONTRACTS, GRANTS, AND GIFTS (contd)

The Ohio State University Research Foundation (contd)

Federal Research Contracts/Grants (contd)

13. \$42,188.00 - Department of Health, Education, and Welfare, Public Health Service, Alcohol, Drug Abuse, and Mental Health Administration, National Institute on Drug Abuse, Rockville, Maryland, Biotransformation of Cannabinoids by Microorganisms, College of Pharmacy, 1 May 1976 through 30 April 1977. (Project 4407-A1 - New)
14. \$40,000.00 - Department of the Air Force, Air Force Office of Scientific Research, Bolling Air Force Base, D. C., Ignition, Combustion, Detonation, and Arresting of Unconfined and Confined Reactive Mixtures, Department of Aeronautical and Astronautical Engineering, 1 April 1976 through 31 March 1977. (Project 3641-A1 - Modification No. AFOSR-73-2511-B)
15. \$38,265.00 - Department of Health, Education, and Welfare, Public Health Service, National Institutes of Health, National Heart and Lung Institute, Bethesda, Maryland, Physiology of Renin, Aldosterone and Prostaglandin, Department of Medicine, 1 April 1976 through 31 March 1977. (Project 3209-A5 - Extension No. 4)
16. \$35,949.00 - Department of the Air Force, Air Force Systems Command, Aeronautical Systems Division, Wright-Patterson Air Force Base, Ohio, Low Radar Cross Section Antenna Study, ElectroScience Laboratory, Department of Electrical Engineering, 1 February 1975 through 30 June 1976. (Project 4103-A1 and B1 - Modification No. 3)
17. \$35,200.00 - National Science Foundation, Washington, D. C., B-Convex and Weakly Compactly Generated Banach Spaces, Department of Mathematics, 1 July 1974 through 30 June 1977. (Project 3923-A1 - NSF Letter Dated 14 April 1976)
18. \$34,044.00 - Department of Health, Education, and Welfare, Public Health Service, National Institutes of Health, National Institute of Dental Research, Bethesda, Maryland, Studies on the Dextran Sucrase of Streptococcus Sanguis, Department of Chemistry, 1 May 1976 through 30 April 1977. (Project 3915-A3 - Extension No. 2)
19. \$33,566.00 - Department of Health, Education, and Welfare, Public Health Service, National Institutes of Health, National Institute of Arthritis, Metabolic and Digestive Diseases, Bethesda, Maryland, Effects of Dietary Change on Phospholipid Metabolism, Department of Physiological Chemistry, 1 May 1976 through 30 April 1977. (Project 4415-A1 - New)



June 4, 1976 meeting, Board of Trustees

REPORT OF RESEARCH CONTRACTS, GRANTS, AND GIFTS (contd)

The Ohio State University Research Foundation (contd)

Federal Research Contracts/Grants (contd)

20. \$33,432.00 - Department of Health, Education, and Welfare, Public Health Service, National Institutes of Health, National Heart and Lung Institute, Bethesda, Maryland, Wall Shear Stresses in Coronary Vessels, Department of Veterinary Physiology and Pharmacology, 1 May 1976 through 30 September 1976. (Project 3797-A3 and B3 - Extension No. 2)
21. \$33,300.00 - National Science Foundation, Washington, D. C., The Social Structure of Fish in Relation to Habitat, Department of Zoology, 15 March 1976 through 14 March 1978. (Project 4391-A1 - New)
22. \$32,687.00 - Department of Health, Education, and Welfare, Public Health Service, National Institutes of Health, National Heart and Lung Institute, Bethesda, Maryland, Dynamics of O<sub>2</sub> and CO<sub>2</sub> Regulations, Department of Physiology, 1 April 1976 through 31 March 1977. (Project 3464-A5 - Extension No. 5)
23. \$32,314.00 - Department of Health, Education, and Welfare, Public Health Service, National Institutes of Health, National Heart and Lung Institute, Bethesda, Maryland, Energy Output and Efficiency of Left Ventricle, Department of Physiology, 1 June 1976 through 31 May 1977. (Project 4403-A1 - New)
24. \$29,436.00 - National Endowment for the Humanities, Washington, D. C., The Medical Profession and Historical Change and Challenge, Department of History, 1 February 1976 through 31 October 1976. (Project 4368- A1 - New)
25. \$28,803.00 - Department of Health, Education, and Welfare, Public Health Service, National Institutes of Health, National Cancer Institute, Bethesda, Maryland, Immunoprophylaxis and Immunotherapy of Lung Cancer, Department of Microbiology, 1 May 1976 through 30 April 1977. (Project 3945-A3 - Extension No. 2)
26. \$23,000.00 - Department of the Air Force, Rome Air Development Center, Air Force Systems Command, Griffiss Air Force Base, New York, Antenna Math Modeling (GTD), Department of Electrical Engineering, 9 February 1976 through 8 November 1976. (Project 4381-A1 - New)
27. \$22,998.00 - Department of the Air Force, Electronic Systems Division, Air Force Systems Command, Hanscom Air Force Base, Massachusetts, To Analyze the Radiation from Apertures in Smooth, Perfectly Conducting Curved Surfaces with Reactive Loading, ElectroScience Laboratory, Department of Electrical Engineering, 15 March 1976 through 30 September 1976. (Project 4396-A1 - New)

June 4, 1976 meeting, Board of Trustees

REPORT OF RESEARCH CONTRACTS, GRANTS, AND GIFTS (contd)

The Ohio State University Research Foundation (contd)

Federal Research Contracts/Grants (contd)

28. \$20,000.00 - National Science Foundation, Washington, D. C., Research Initiation - A Study of Convective Heat Transfer Enhancement in a Decaying Vortex-Flow, Department of Mechanical Engineering, 1 April 1976 through 30 September 1977. (Project 4392-A1 - New)
29. \$20,000.00 - Department of the Air Force, Air Force Office of Scientific Research, Bolling Air Force Base, D. C., Transonic Wind Tunnel Experiments on Oscillating Airfoils, Department of Aeronautical and Astronautical Engineering, 15 April 1976 through 15 September 1976. (Project 4406-A1 - New)
30. \$20,000.00 - Naval Regional Procurement Office, Long Beach, California, Study of Naval Undersea Acoustic Scattering Model, Department of Electrical Engineering, 1 April 1976 through 31 March 1977. (Project 4409-A1 - New)
31. \$17,683.00 - Department of Health, Education, and Welfare, Public Health Service, National Institutes of Health, National Eye Institute, Bethesda, Maryland, Effects of Refractive Error in Single Cell Coding, College of Optometry, 1 May 1976 through 30 April 1977. (Project 3918-A3 - Extension No. 2)
32. \$14,200.00 - National Science Foundation, Washington, D. C., Combinatorial Problems of Applied Discrete Mathematics, Department of Mathematics, 1 July 1975 through 30 June 1977. (Project 4158-A1 - NSF Letter Dated 16 April 1976)
33. \$11,795.00 - Department of the Air Force, Air Force Systems Command, Aeronautical Systems Division, Wright-Patterson Air Force Base, Ohio, Development of Gas Diagnostics for High Speed Aerodynamics, Department of Aeronautical and Astronautical Engineering, 15 April 1976 through 31 August 1976. (Project 4397-A1 - New)
34. \$10,000.00 - Department of the Air Force, Air Force Systems Command, Aeronautical Systems Division, Wright-Patterson Air Force Base, Ohio, Measurement of Resistive Torques in Major Human Joints, Department of Engineering Mechanics, 1 April 1976 through 1 March 1977. (Project 4394-A1 - New)
35. \$7,200.00 - National Science Foundation, Washington, D. C., Groups Having Self-Centralizing Elementary Abelian Subgroups of Order 16, Department of Mathematics, 1 April 1976 through 31 March 1977. (Project 4408-A1 - New)

June 4, 1976 meeting, Board of Trustees

REPORT OF RESEARCH CONTRACTS, GRANTS, AND GIFTS (contd)

The Ohio State University Research Foundation (contd)

Federal Research Contracts/Grants (contd)

36. \$5,185.00 - Department of Health, Education, and Welfare, Public Health Service, National Institutes of Health, National Institute of General Medical Sciences, Bethesda, Maryland, The Role of Alpha-Lactalbumin in Lactose, Department of Chemistry, 1 March 1976 through 28 February 1977. (Project 4128-A2 - Supplement No. 1)
37. \$4,000.00 - Department of Health, Education, and Welfare, Public Health Service, National Institutes of Health, National Institute of Neurological and Communicative Disorders and Strokes, Bethesda, Maryland, Recent Advances in Middle Ear Effusions, Department of Otolaryngology, 1 April 1976 through 31 March 1977. (Project 4413-A1 - New)
38. \$2,401.00 - Department of Health, Education, and Welfare, Public Health Service, National Institutes of Health, National Institute of General Medical Sciences, Bethesda, Maryland, Development of New Assays for Enzymes and Inhibitors, College of Pharmacy, 1 April 1975 through 30 April 1976. (Project 2791-F - Supplement No. 1)

TOTAL - Federal Research Contracts/Grants \$1,455,032.00

State of Ohio Research Contracts/Grants

1. \$309.00 - State of Ohio, Department of Health, Columbus, Ohio, Care of the High-Risk Mother and Infant, Department of Pediatrics. (Project 4100-A2 - Sponsor Letter Dated 6 April 1976)

Industrial, Private, and Other Non-Federal Research Contracts/Grants

1. \$25,305.00 - Battelle Columbus Laboratories, Columbus, Ohio, Large Animal Pre-clinical Evaluations of Pharmacodynamic Effects of Antineoplastic Compounds on the Cardiovascular System, Department of Veterinary Physiology and Pharmacology. (Project 4155-A1 - Supplement No. 2)
2. \$3,500.00 - Syracuse University, Syracuse, New York, Calculations of Volemetric Field Strength Patterns for a Lindberg Crossed-slot Antenna on KC 135 Aircraft, ElectroScience Laboratory, Department of Electrical Engineering, 16 April 1976 through 15 May 1976. (Project 4404-A1 - New)
3. \$2,860.00 - Franklin County Halfway House, Inc., Columbus, Ohio, Entry Level Manpower Needs Assessment Project for Franklin County, School of Public Administration, 15 March 1976 through 30 July 1976. (Project 4398-A1 - New)

June 4, 1976 meeting, Board of Trustees

REPORT OF RESEARCH CONTRACTS, GRANTS, AND GIFTS (contd)

The Ohio State University Research Foundation (contd)

Industrial, Private, and Other Non-Federal  
Research Contracts/Grants (contd)

4. \$2,303.00 - National Geographic Society, Washington, D. C., Fish-poisons in the Sunflower Family, Department of Botany, 1 April 1976 through 31 March 1977. (Project 4399-A1 - New)

TOTAL - Industrial, Private, and Other Non-Federal  
Research Contracts/Grants \$33,968.00

The Engineering Experiment Station

Federal Research Contracts

1. \$2,201.00 - U. S. Department of the Interior, Washington, D. C., Office of Institute Director: OWRT FY 76 Allotment Program, Water Resources Center, July 1, 1975 through June 30, 1976. (EES 520, Ext. #1)
2. \$1,300.00 - U. S. Department of the Interior, Washington, D. C., A New Method of Removing Trace Metals by Adsorption, Department of Civil Engineering, July 1, 1975 through June 30, 1976. (EES 523, Ext. #1)

TOTAL - Federal Research Contracts \$3,501.00

The Ohio State University Development Fund

Gifts of \$5,000 or More

1. \$250,000.00 from Claude Worthington Benedum Foundation, Pittsburgh, Pennsylvania, for the University Activities Center.
2. \$37,607.23 from Consolidated Business Services, Inc., Columbus, Ohio--\$37,128.60 for the Department of Medicine General Fund and \$478.63 for the Cardiology Support Fund.
3. \$33,122.54 from Louise Orr Scott Foundation, Columbus, Ohio--\$24,841.91 for scholarships in the College of Medicine and \$8,280.63 for scholarships in the College of Pharmacy.
4. \$20,000.00 from Lybrand Foundation, New York, New York, for a new project in accounting to support the research of Ph. D. candidates in accounting.
5. \$15,000.00 from The Bremer Foundation, Youngstown, Ohio, for the College of Medicine.
6. \$10,500.00 from an anonymous donor for the Department of Dance Workshop.

June 4, 1976 meeting, Board of Trustees

REPORT OF RESEARCH CONTRACTS, GRANTS, AND GIFTS (contd)

The Ohio State University Development Fund (contd)

Gifts of \$5,000 or More (contd)

7. \$10,000.00 from Everett Lee Shaffstall, Indianapolis, Indiana, for his named scholarship fund in Engineering.
8. \$10,000.00 from M. A. Young Foundation (given in the name of Maurice A. Young), Youngstown, Ohio, for the College of Medicine General Fund.
9. \$7,798.00 from The Procter and Gamble Company, Cincinnati, Ohio-- \$5,820.00 for their fellowship in Chemistry and \$1,978.00 for the Veterinary Pathobiology Graduate Training Fund.
10. \$6,985.24 from the Estate of Arthur P. Grasser, Columbus, Ohio, for a memorial named endowment fund in Engineering.
11. \$6,300.00 from Sayre Charitable Trust of the Columbus Foundation, Columbus, Ohio, for the Group for Community Learning Fund.
12. \$6,026.79 from the Estate of Grace B. Mavis, New Haven, Connecticut, as an unrestricted gift to the University.
13. \$6,000.00 from the Melvin E. Moffitt Estate, San Antonio, Texas, for an unrestricted named memorial fund.
14. \$5,489.00 from Carter-Wallace, Inc., Cranbury, New Jersey, for the Clinical Pharmacology Fund.
15. \$5,000.00 from Fred A. Hitchcock, Columbus, Ohio, for his named professorship in Environmental Physiology.
16. \$5,000.00 from Mrs. John D. Kraus, Delaware, Ohio, for the Radio Telescope Research Fund.
17. \$5,000.00 from George F. Lonz Foundation, Middle Bass, Ohio, for support of the Department of Horticulture's Program in Enology and Viticulture.

Gifts-in-Kind

1. A bequest from the Estate of the late Alice Lloyd Finley consisting of approximately 133 acres of farmland situated in the Township of Jefferson, County of Madison, and State of Ohio, and bounded and described as follows:

June 4, 1976 meeting, Board of Trustees

REPORT OF RESEARCH CONTRACTS, GRANTS, AND GIFTS (contd)

The Ohio State University Development Fund (contd)

Gifts-in-Kind (contd)

Beginning at the upper back corner of original Survey No. 2679, a stone and elm; thence running with the upper line thereof North 53° East 240 poles to a post in the State Road from Bellefontaine to Columbus; thence with the center of said road South 16° East 114 poles to a stake in the center of said road; thence South 53° West 200 poles to a hickory and maple in the original line of said survey; thence with the same North 37° West 109 poles to the beginning, containing 150 acres, less 16.911 acres as contained in the survey provided by Exhibit A, part of Survey No. 2679.

According to Item XII of Mrs. Finley's Last Will and Testament, the bequest will be subject to the following conditions:

That said land be used exclusively for the advancement, development, betterment and improvement of veterinary medicine, and livestock research and including any and all farming for a period of at least fifty (50) years; and further, provided that the name used on said land and improvements thereon be known as the ALICE LLOYD FINLEY MEMORIAL VETERINARY RESEARCH FARM, for a period of at least fifty (50) years, and in the event any of the provisions herein contained are breached during said fifty (50) year period, then in that event if said breach occurs the property at that time shall be the property of Rio Grande College, Rio Grande, Ohio, to be used as they in their sole discretion shall see fit.

2. An addition of 4,700 specimens valued at \$16,900 from Dr. Dwight M. DeLong to be added to the DeLong Collection of World Cicadellidae.

Addition to the DeLong Collection of World Cicadellidae

On June 10, 1965, the Board of Trustees accepted through the Development Fund, the personal collection of American Cicadellidae (Leafhoppers) from Dr. Dwight M. DeLong, an emeritus faculty member. Now known as the DeLong Collection of World Cicadellidae, the collection was valued at \$50,000. It was accepted upon three conditions which were, briefly: that the University furnish a proper place in which to house the collection, that the University assure Dr. DeLong that a permanent curator or custodian be employed to properly preserve the collection, and that Dr. DeLong be assured an adequate place in which he could work to continue his collecting and to add to the collection.

June 4, 1976 meeting, Board of Trustees

REPORT OF RESEARCH CONTRACTS, GRANTS, AND GIFTS (contd)

The Ohio State University Development Fund (contd)

Gifts-in-Kind (contd)

2. Addition to the DeLong Collection of World Cicadellidae (contd)

On October 13, 1972, Dr. DeLong made a gift of more than 12,000 additional specimens to the collection under the same conditions that guided the original gift. The additional specimens were valued at \$20,000.

Professor DeLong has now offered to make a third gift of 4,700 specimens, having a value of \$16,900. These specimens are offered as a gift on the same terms as the original collection and are to become a part of it.

During the past four years, Professor DeLong has prepared 49 manuscripts from this and related material. Three of these were genuine synopses and treated many species (large volumes).

This is a remarkable accomplishment for this 84 year old Emeritus Professor who still comes to the office regularly and continues to contribute to our knowledge of the insect world. It is recommended that Dr. DeLong's latest gift be accepted with gratitude and under the same conditions agreed to by the Trustees in accepting the original collection.

Establishment of Named Funds

1. \$14,000.00 from members of Ohio's pork industry and friends of Wilbur H. Bruner for the establishment of The Wilbur H. Bruner Pork Industry Award.

The Wilbur H. Bruner Pork Industry Award

The Wilbur H. Bruner Pork Industry Award was established June 4, 1976, by the Board of Trustees of The Ohio State University with gifts through the Development Fund from members of Ohio's pork industry and friends of Wilbur H. Bruner (B.S. '27), Associate Professor Emeritus, Department of Animal Science.

All gifts are to be invested in the University's Permanent Endowment Fund, under the rules and regulations adopted by the Board of Trustees of The Ohio State University, with the right to invest and reinvest as occasion dictates.

The annual income is to be used to encourage post high school students to prepare for a career serving the swine and pork industry. The selection of the recipient is to be made upon the recommendation of a committee consisting of two industry representatives, one person

June 4, 1976 meeting, Board of Trustees

REPORT OF RESEARCH CONTRACTS, GRANTS, AND GIFTS (contd)

The Ohio State University Development Fund (contd)

Establishment of Named Funds (contd)

1. The Wilbur H. Bruner Pork Industry Award (contd)

appointed by the Chairman of the Animal Science Department, and one person representing the Dean's Office of the College of Agriculture and Home Economics. Undergraduate and graduate students in departments of the College of Agriculture and Home Economics or the Agricultural Technical Institute at Wooster of The Ohio State University are eligible.

Should the need for these awards cease to exist or so diminish as to provide unused income, then the income may be used for any purpose whatsoever as determined by the Board of Trustees, with preference being given to recommendations from the appropriate official of the University who is then directly responsible for Animal Science education.

2. \$10,000.00 from alumni, friends and faculty of the School of Allied Medical Professions for the establishment of The School of Allied Medical Professions Endowment Fund.

The School of Allied Medical Professions Endowment Fund

The School of Allied Medical Professions Endowment Fund was established June 4, 1976, by the Board of Trustees of The Ohio State University with gifts to The Ohio State University Development Fund from alumni, friends and faculty of the School of Allied Medical Professions.

All gifts are to be invested in the University's Permanent Endowment Fund, under the rules and regulations adopted by the Board of Trustees of The Ohio State University, with the right to invest and reinvest as occasion dictates.

The annual income and/or principal may be used for equipment, publication costs, travel, research, secretarial assistance and any other activity that enhances the educational objectives of the School of Allied Medical Professions. Requisitions for funds are to be initiated by the Director of the School of Allied Medical Professions and approved by the Dean of the College of Medicine.

Should the need for this fund cease to exist or so diminish as to provide unused income, then the income may be used for any purpose whatsoever as determined by the Board of Trustees, with preference being given to recommendations from the appropriate administrative official of the University who is then directly responsible for allied health education.



June 4, 1976 meeting, Board of Trustees

REPORT OF RESEARCH CONTRACTS, GRANTS, AND GIFTS (contd)

The Ohio State University Development Fund (contd)

Establishment of Named Funds (contd)

3. \$1,000.00 from Donald L. Glaser for the establishment of The Donald L. and Clara G. Glaser Scholarship Fund.

The Donald L. and Clara G. Glaser Scholarship Fund

The Donald L. and Clara G. Glaser Scholarship Fund was established June 4, 1976, by the Board of Trustees of The Ohio State University with a gift to The Ohio State University Development Fund from Donald L. Glaser (B. M. E. '55), Akron, Ohio.

All gifts are to be invested in the University's Permanent Endowment Fund under the rules and regulations adopted by the Board of Trustees of The Ohio State University, with the right to invest and reinvest as occasion dictates.

The annual income is to be used to provide one or more scholarships for students enrolled in the College of Engineering with a major in Mechanical Engineering. Selection of the recipient(s) is to be made by the University Scholarship Committee upon the recommendation of the Chairman of the Department of Mechanical Engineering. If the scholarships are not awarded, the income may be used for research at the discretion of the Chairman of the Department of Mechanical Engineering.

Should the need for this fund cease to exist or so diminish as to provide unused income, then the income may be used for any purpose whatsoever as determined by the Board of Trustees, with preference being given to recommendations from the appropriate administrative official of the University who is then directly responsible for the study of mechanical engineering.

4. \$1,000.00 from Ralph B. Norris, M. D., for the establishment of The Ralph B. Norris Ophthalmology Fund.

The Ralph B. Norris Ophthalmology Fund

The Ralph B. Norris Ophthalmology Fund was established June 4, 1976, by the Board of Trustees of The Ohio State University with a gift to The Ohio State University Development Fund from Ralph B. Norris, M. D., Columbus, Ohio.

All gifts are to be invested in the University's Permanent Endowment Fund under the rules and regulations adopted by the Board of Trustees of The Ohio State University, with the right to invest and reinvest as occasion dictates.

June 4, 1976 meeting, Board of Trustees

REPORT OF RESEARCH CONTRACTS, GRANTS, AND GIFTS (contd)

The Ohio State University Development Fund (contd)

Establishment of Named Funds (contd)

4. The Ralph B. Norris Ophthalmology Fund (contd)

The annual income is to be used for any purpose that would lead to significant improvements in the excellence in the Department of Ophthalmology and its programs of education and research as designated by the Chairman of the Department of Ophthalmology.

Should the need for this fund cease to exist or so diminish as to provide unused income, then the income may be used for any purpose whatsoever as determined by the Board of Trustees, with preference being given to recommendations from the appropriate administrative official of the University who is then directly responsible for the study of ophthalmology.

5. \$1,000.00 from Wayne E. Smith and Mildred K. Smith for the establishment of the Wayne E. and Mildred K. Smith Endowment Fund.

Wayne E. and Mildred K. Smith Endowment Fund

The Wayne E. and Mildred K. Smith Endowment Fund was established June 4, 1976, by the Board of Trustees of The Ohio State University with a gift to The Ohio State University Development Fund from Wayne E. Smith (B.S.Agr. '37) and Mildred K. Smith, Worthington, Ohio.

All gifts are to be invested in the University's Permanent Endowment Fund under the rules and regulations adopted by the Board of Trustees of The Ohio State University, with the right to invest and reinvest as occasion dictates.

The annual income is to be used for research on dairy food systems as designated by the Chairman of Food Science and Nutrition.

Should the need for this fund cease to exist or so diminish as to provide unused income, then the income may be used for any purpose whatsoever as determined by the Board of Trustees, with preference being given to recommendations from the appropriate administrative official of the University who is then directly responsible for the study of Food Science and Nutrition.

\*

\*

\*

PLANS AND SPECIFICATIONS

Resolution No. 76-8

WHEREAS at the request of the Vice President for Business and Administration the plans and specifications, bills of materials and estimates of cost for the following projects are presented for approval:

Botany and Zoology Building--Window Replacement

Project: Replacement of 110 deteriorated wooden windows with aluminum windows on the north, east, south and west elevations of the main building (old part).

Funding: Budget Account 126070 (Contract Repair)

Estimated Project Cost: \$41,470.00

Utility Tunnel Renovations  
(Phase II--Twelfth and Neil Avenues)

Project: Improvements to the tunnel in the area of Twelfth Avenue and Neil Avenue due to age and deterioration.

Funding: H. B. 687 (Utilities and Renovation)

Estimated Project Cost: \$105,480.00

NOW THEREFORE

BE IT RESOLVED, That the President and/or Vice President for Business and Administration be authorized to sign the plans and specifications for this project, and if satisfactory bids are received to recommend the award of the necessary contracts in accordance with the established University procedure; and that this action be reported at a later meeting.

Upon motion of Dr. Sirak, seconded by Mrs. James, the Board of Trustees adopted the foregoing resolution by unanimous roll call vote.

\*

\*

\*

REPORT OF AWARD OF CONTRACTS

Resolution No. 76-9

WHEREAS the resolutions adopted by the Board of Trustees at previous meetings authorized the President and/or Secretary of the Board of Trustees to sign the plans and specifications, and for the President and/or Vice President for Business and Administration to request bids, and recommend award, in accordance with the established University procedure:

NOW THEREFORE

BE IT RESOLVED, That pursuant to the previous actions of the Board, various construction and renovation projects were bid, contracts recommended for award, and expenditures of project funds are being reported as follows for each project:

June 4, 1976 meeting, Board of Trustees

REPORT OF AWARD OF CONTRACTS (contd)

IVES HALL IMPROVEMENTS

Description: These improvements include remodeling of an area to provide additional office space and graduate research facilities for the Department of Agricultural Engineering.

General Contract

Date Received: May 5, 1976  
No. of Bids: 8  
Low Bid: \$15,544.00\*  
High Bid: \$32,105.00\*  
Estimate of Cost: \$16,240.00\*  
Awarded to: Arjay Construction Co. (Columbus, Ohio)

Plumbing Contract

Date Received: May 5, 1976  
No. of Bids: 4  
Low Bid: \$ 724.00  
High Bid: \$ 1,000.00  
Estimate of Cost: \$ 1,550.00  
Awarded to: Muetzel Plumbing (Columbus, Ohio)

Heating, Ventilating and Air Conditioning Contract

Date Received: May 5, 1976  
No. of Bids: 3  
Low Bid: \$ 6,000.00\*  
High Bid: \$ 9,270.00\*  
Estimate of Cost: \$ 6,900.00\*  
Awarded to: Morris Sheet Metal, Inc. (Columbus, Ohio)

\*Recommended Alternates reflected in these figures.

June 4, 1976 meeting, Board of Trustees

REPORT OF AWARD OF CONTRACTS (contd)

IVES HALL IMPROVEMENTS (contd)

Electrical Contract

Date Received: May 5, 1976  
No. of Bids: 8  
Low Bid: \$ 10,077.00\*  
High Bid: \$ 35,978.00\*  
Estimate of Cost: \$ 20,910.00\*  
Awarded to: X-F Electrical Contractors (Columbus, Ohio)  
Total All Contracts: \$ 32,345.00  
Funded: H. B. 687, Utilities and Renovation

HASKETT HALL REMODELING

Description: The remodeling for the Department of Photography and Cinema will provide for additional faculty offices and improved facilities.

General Contract

Date Received: May 5, 1976  
No. of Bids: 8  
Low Bid: \$ 80,249.00\*  
High Bid: \$143,018.00\*  
Estimate of Cost: \$ 87,245.00\*  
Awarded to: Zarbaugh and Associates (Columbus, Ohio)

Plumbing Contract

Date Received: May 5, 1976  
No. of Bids: 4  
Low Bid: \$ 8,500.00  
High Bid: \$ 14,500.00  
Estimate of Cost: \$ 11,400.00  
Awarded to: A-1 Plumbing & Heating, Inc. (Columbus, Ohio)

\*Recommended Alternates reflected in these figures.

June 4, 1976 meeting, Board of Trustees

REPORT OF AWARD OF CONTRACTS (contd)

HASKETT HALL REMODELING (contd)

Heating, Ventilating and Air Conditioning Contract

Date Received: May 5, 1976  
No. of Bids: 4  
Low Bid: \$ 14,500.00  
High Bid: \$ 18,900.00  
Estimate of Cost: \$ 16,050.00  
Awarded to: Julian Speer Co. (Columbus, Ohio)

Electrical Contract

Date Received: May 5, 1976  
No. of Bids: 8  
Low Bid: \$ 21,468.00  
High Bid: \$ 30,840.00  
Estimate of Cost: \$ 33,005.00  
Awarded to: Royal Electric Construction Co. (Columbus, Ohio)  
Total All Contracts: \$124,717.00  
Funded: H. B. 687, Utilities and Renovation

FRENCH FIELD HOUSE--REMODELING

Description: Support facilities for Women's Athletic Programs are being extended.

General Contract

Date Received: May 21, 1976 (Rebid)  
No. of Bids: 4  
Low Bid: \$110,460.00\*  
High Bid: \$128,800.00\*  
Estimate of Cost: \$120,000.00\*  
Awarded to: Monet, Inc. (Columbus, Ohio)

\*Recommended Alternates reflected in these figures.

June 4, 1976 meeting, Board of Trustees

REPORT OF AWARD OF CONTRACTS (contd)

FRENCH FIELD HOUSE--REMODELING (contd)

Plumbing Contract

Date Received: May 12, 1976  
No. of Bids: 7  
Low Bid: \$ 32,590.00\*  
High Bid: \$ 43,050.00\*  
Estimate of Cost: \$ 55,415.00\*  
Awarded to: Muetzel Plumbing & Heating (Columbus, Ohio)

Heating, Ventilating and Air Conditioning Contract

Date Received: May 12, 1976  
No. of Bids: 6  
Low Bid: \$ 6,350.00\*  
High Bid: \$ 8,730.00\*  
Estimate of Cost: \$ 17,755.00\*  
Awarded to: Morris Sheet Metal (Columbus, Ohio)

Electrical Contract

Date Received: May 12, 1976  
No. of Bids: 6  
Low Bid: \$ 22,900.00\*  
High Bid: \$ 31,651.00\*  
Estimate of Cost: \$ 38,468.00\*  
Awarded to: Demos Electric Company (Columbus, Ohio)

Total All Contracts: \$173,500.00\*

Funded: Budget Account 801318 (Money provided from Athletic Revenue)

\*Recommended Alternates reflected in these figures.

June 4, 1976 meeting, Board of Trustees

REPORT OF AWARD OF CONTRACTS (contd)

LECTURE ROOM IMPROVEMENTS

(Campbell Hall and McPherson Chemistry Laboratory)

Description: Improvements to the large lecture rooms in Campbell Hall, Room 200, and in McPherson Chemistry Laboratory, Room 100.

General Contract

Date Received: May 13, 1976  
No. of Bids: 7  
Low Bid: \$101,287.00\*  
High Bid: \$128,311.00\*  
Estimate of Cost: \$115,200.00\*  
Awarded to: M & P Construction Co. (Columbus, Ohio)

Heating, Ventilating and Air Conditioning Contract

Date Received: May 13, 1976  
No. of Bids: 3  
Low Bid: \$ 3,970.00  
High Bid: \$ 9,960.00  
Estimate of Cost: \$ 6,000.00  
Awarded to: Morris Sheet Metal, Inc. (Columbus, Ohio)

Electrical Contract

Date Received: May 13, 1976  
No. of Bids: 4  
Low Bid: \$ 61,870.00\*  
High Bid: \$ 80,857.00\*  
Estimate of Cost: \$ 61,000.00\*  
Awarded to: Demos Electric Co. (Columbus, Ohio)

Total All Contracts: \$167,127.00

Funded: H. B. 687, Utilities and Renovation

\*Recommended Alternates reflected in these figures.



June 4, 1976 meeting, Board of Trustees

REPORT OF AWARD OF CONTRACTS (contd)

DENTISTRY BUILDING--IMPROVEMENTS

Description: Improvements to laboratory teaching area and to faculty offices will be included in this project.

Mechanical Contract

Date Received: May 25, 1976  
No. of Bids: 11  
Low Bid: \$ 45,211.00\*  
High Bid: \$107,779.00\*  
Estimate of Cost: \$ 54,258.00\*  
Awarded to: R. H. Reeb Heating & Plumbing (Columbus, Ohio)

Electrical Contract

Date Received: May 25, 1976  
No. of Bids: 6  
Low Bid: \$ 8,320.00\*  
High Bid: \$ 9,994.00\*  
Estimate of Cost: \$ 9,611.00\*  
Awarded to: Demos Electric Company (Columbus, Ohio)  
Total All Contracts: \$ 53,531.00\*  
Funded: H. B. 687 (Utilities and Renovation) and Budget Account 129210 (College of Dentistry Improvements Funds)

\*Recommended Alternates reflected in these figures.

MANSFIELD CAMPUS, PHYSICAL EDUCATION BUILDING, PHASE V

Description: New building for physical education facilities plus additional parking space and a second campus access road.

June 4, 1976 meeting, Board of Trustees

REPORT OF AWARD OF CONTRACTS (contd)

MANSFIELD CAMPUS, PHYSICAL EDUCATION BUILDING,  
PHASE V (contd)

General Contract

Date Received: May 6, 1976  
No. of Bids: 13  
Low Bid: \$487,598.00\*  
High Bid: \$613,424.00\*  
Estimate of Cost: \$621,776.00\*  
Awarded to: Weithman Brothers, Inc. (Galion, Ohio)

Plumbing Contract

Date Received: May 6, 1976  
No. of Bids: 6  
Low Bid: \$ 57,000.00  
High Bid: \$ 79,667.00  
Estimate of Cost: \$ 59,412.00  
Awarded to: Charles Hoffman Co. (Mansfield, Ohio)

Heating and Ventilating Contract

Date Received: May 6, 1976  
No. of Bids: 8  
Low Bid: \$101,635.00\*\*  
High Bid: \$146,000.00\*\*  
Estimate of Cost: \$ 89,971.00\*\*  
Awarded to: Carl's Plumbing and Heating (Marion, Ohio)

\*Recommended Alternates reflected in these figures.

\*\*It is believed that no better bids would be received by readvertising; therefore, Controlling Board approval is being requested to waive further competitive bidding and to award contracts to lowest bidder.

June 4, 1976 meeting, Board of Trustees

REPORT OF AWARD OF CONTRACTS (contd)

MANSFIELD CAMPUS, PHYSICAL EDUCATION BUILDING,  
PHASE V (contd)

Electrical Contract

Date Received: May 6, 1976  
No. of Bids: 4  
Low Bid: \$164,502.00\*  
High Bid: \$242,448.00\*  
Estimate of Cost: \$199,504.00\*  
Awarded to: Atlas Electrical Construction, Inc. (Elyria, Ohio)  
Total All Contracts: \$810,735.00\*\*  
Funded: H. B. 687, Item 315-098 (Mansfield Branch, Physical Education Building)

\*Recommended Alternates reflected in these figures.

\*\*Roadway and Parking Contract to be rebid and will be reported at a later meeting.

Bids received by The Ohio State University Purchasing Department

SWINE EVALUATION STATION STORAGE BUILDING -  
3485 Case Road

Description: This storage building will replace two smaller buildings which are currently in poor condition.

Date Received: May 6, 1976  
No. of Bids: 5  
Low Bid: \$ 23,535.00  
High Bid: \$ 33,848.00  
Estimate of Cost: \$ 32,000.00  
Awarded to: Golden Giant, Inc. (Kenton, Ohio)  
Funded: Budget Account 956081 - (Cooperative Extension - Rotary Expense)

Upon motion of Mr. Dunlap, seconded by Mr. Hilliker, the Board of Trustees adopted the foregoing resolution by unanimous roll call vote.

\*

\*

\*

June 4, 1976 meeting, Board of Trustees

MISCELLANEOUS

FM License for Station WOSR

Resolution No. 76-10

WHEREAS the student operated radio station WOSR is currently operating on a "carrier current" transmitting system; and

WHEREAS the experience of operating this station provides valuable educational experience to many students; and

WHEREAS the improvement of reception of this station would benefit the entire University community;

NOW THEREFORE

BE IT RESOLVED that the Board authorize the Secretary to submit an application to the Federal Communication Commission for a license to operate a 10-watt FM station;

FURTHER BE IT RESOLVED, That this request for a license may be withdrawn if the feasibility study currently in process fails to justify the operation of such a station.

Upon motion of Mr. Gushman, seconded by Mrs. James, the Board of Trustees adopted the foregoing resolution by unanimous roll call vote.

\*

\*

\*

REPORTS

Blue Cross Hospitalization Insurance Benefits

Resolution No. 76-11

WHEREAS consistent with the recommendation of the Faculty Compensation and Benefits Committee, and in concurrence with the University Administration and the Fiscal Affairs Committee of this Board; and

WHEREAS Alexander & Alexander in a report dated December 17, 1971, recommended the improvement of a general benefit program for full-time regular faculty and staff;

NOW THEREFORE

BE IT RESOLVED, That all full-time regular faculty and staff who are not now receiving University-paid Blue Cross insurance be provided such coverage effective July 1, 1976; and in addition that certain improvements be made in the present schedule of hospitalization benefits for all faculty and staff; and

REPORTS (contd)

Blue Cross Hospitalization Insurance Benefits (contd)

BE IT FURTHER RESOLVED, That the annual cost associated with providing this benefit to those full-time regular faculty and staff presently paying their own premiums, and the cost associated with the program improvements will be \$1.44 million; of this amount \$662,000 will be funded from the Instructional and General Budget of the University.

Upon motion of Mr. Devenow, seconded by Mr. Gushman, the Board of Trustees adopted the foregoing resolutions by unanimous roll call vote.

Student Health Insurance Contract

Resolution No. 76-12

WHEREAS on February 7, 1975, the Board awarded a two-year contract effective Autumn Quarter, 1975, to Mutual of Omaha to provide student Health Insurance; and

WHEREAS in April, 1976, Mutual of Omaha contacted the Subcommittee on Student Health Insurance and advised them of losses that were being incurred and requested a rate increase to be effective Autumn Quarter 1976; and

WHEREAS this coverage will be available on an optional basis to all registered students at the following premium schedule:

<u>Classification</u>	<u>Quarterly Premium Rates</u>
Student	\$24.00
Student and spouse	51.00
Student, spouse and all children	81.00
Student and dependent child or children	54.00

and

WHEREAS this renegotiated Student Health Insurance Contract has been recommended by the Subcommittee on Student Insurance of the Council on Student Affairs, ratified by the Council on Student Affairs and approved by the Office of the Vice President for Student Services:

NOW THEREFORE

BE IT RESOLVED, That Mutual of Omaha be awarded the renegotiated Student Health Insurance Contract, effective the first day of classes, Autumn Quarter 1976, for a period of two years with benefits now available under the terms of the current contract to continue.

Upon motion of Mr. Devenow, seconded by Dr. Sirak, the Board of Trustees adopted the foregoing resolution with eight affirmative votes and one negative vote cast by Mr. Smith.

REPORTS (contd)

Report from Auditor of State for The Ohio State University for July 1, 1973 through June 30, 1974

Resolution No. 76-13

WHEREAS the Auditor of State is charged with the statutory responsibility for auditing accounts for all departments of the State, including State-assisted universities; and

WHEREAS the annual report of the Auditor of State for The Ohio State University for the period July 1, 1973 through June 30, 1974, has been received and reviewed by the appropriate officers of the University; and

WHEREAS the accounts, records, files and reports of The Ohio State University were found to be in order:

NOW THEREFORE

BE IT RESOLVED, That this report of the Auditor of State be received and filed with the official documents of the University.

Upon motion of Mr. Devenow, seconded by Mr. Dunlap, the Board of Trustees adopted the foregoing resolution by unanimous roll call vote.

Report from the Educational Affairs Committee-- Graduate Professional Admissions Policy

Resolution No. 76-14

Mr. Gushman reported as follows:

Before making certain recommendations I would like to provide some background as to how we arrived at the recommendations. Over the past two years the Educational Affairs Committee has been reviewing the admissions policy of the Graduate Professional Programs at The Ohio State University, which include Dentistry, Law, Medicine, Optometry, and Veterinary Medicine. We met with Deans and other members of these Colleges, reviewed admissions and enrollment data, and discussed a wide range of problems associated with admissions to these various programs. We have also been provided with a report from an Ad Hoc Committee appointed by President Enarson on this same subject, as well as additional information from the President and the Provost.

After deliberating on all of this information our Committee is now recommending the establishment of the following policies relating to Graduate Professional Admission at this University effective with the classes admitted for the 1977-78 academic year:

June 4, 1976 meeting, Board of Trustees

REPORTS (contd)

Report from the Educational Affairs Committee--  
Graduate Professional Admissions Policy (contd)

Mr. Gushman (contd)

- (1) That in all cases where applicants are ranked as equally qualified by the appropriate admission committees, preference shall be given to those applicants classified as residents of the State of Ohio under the rules of the Board.
- (2) That non-resident enrollment be limited to no more than fifteen percent of the total enrollment in each of the Graduate Professional Programs with exception of Veterinary Medicine and Optometry where there are regional financial arrangements beneficial to the University.
- (3) That all Graduate Professional Programs require an interview as part of the admissions process.

Upon motion of Mr. Gushman, seconded by Dr. Sirak, the Board of Trustees approved the foregoing recommendations by unanimous roll call vote.

Mr. Gushman continued:

Mr. Chairman, I wish to inform the Board that this Committee reviewed the President's recommendation to increase non-resident tuition charges in Graduate Professional Programs by \$100 per quarter so as to bring these charges more in line with similar programs throughout the country and we support this action.

Report by President Harold L. Enarson on Safety  
of Lincoln and Morrill Towers

Resolution No. 76-15

I would like to call your attention to your Board agenda and my statement of May 24 responding to articles which appeared in the Lantern which raised questions about the safety of conditions in Lincoln and Morrill Towers.

As I indicated at that time, we do not believe that there is any cause for alarm about the safety of these or, for that matter, any other University building of the 400 we have. However, I felt then and I feel now that any question which touches in any way on the safety of students, faculty, staff

June 4, 1976 meeting, Board of Trustees

REPORTS (contd)

Report by President Harold L. Enarson on Safety of Lincoln and Morrill Towers (continued)

and visitors to campus requires thorough review and investigation. I did direct Dr. Moulton, Dr. Armitage, and Mr. Smith to investigate each and every allegation or suggestion of a dangerous or unsafe condition. Should any conditions be found to exist which require safety improvements, action will be taken immediately to make those changes.

Work has been planned for this summer on some needed remodeling in Morrill Tower. This came to our attention during the time of the Lincoln Tower remodeling. Work on those improvements will go forward as planned.

We will also issue, at some time, a point by point report of our findings with respect to the questions raised in the Lantern and our review is complete. While I cannot comment any further without the full and complete result of our study, I would emphasize, again, that we have simply found no cause for alarm about safety on campus.

Despite my earlier vow to myself that I wouldn't expand on this I will simply say that the greatest single fire threat in any dormitory that I have ever visited or known is the student who smokes in bed.

Report on the University's Investment Portfolio

Resolution No. 76-16

The report on the University's Investment Portfolio dated June 4, 1976, as submitted to the Fiscal Affairs Committee of the Board of Trustees, was received and ordered to be filed with the official records of the Board.

\*

\*

\*

GUEST SPEAKERS

Mr. Rick Theis, President of the Undergraduate Student Government, had requested permission to speak. Since he was unable to be present because of a scheduled class, the Vice President of the Undergraduate Student Government asked permission to present Mr. Theis' statement.

Mr. Jeffrey Hayman, Vice President of the Undergraduate Student Government, spoke to the Trustees on the role of the student government in the University. He requested on behalf of the Undergraduate Student Government, an opportunity to make a presentation at each Board meeting.



June 4, 1976 meeting, Board of Trustees

GUEST SPEAKERS (contd)

Statement of The Ohio State University Chapter of  
the American Association of University Professors

Professor Stephen LeBrie gave a review of the AAUP position on collective bargaining and requested that the issue of collective bargaining be put to a faculty vote. He requested the Board to act now and to authorize the administration to work with AAUP in arranging for a faculty collective bargaining election.

The Committee Opposed to Faculty Unionization

The Committee Opposed to Faculty Unionization headed by Professor Russel Jones made a presentation in support of the position opposing faculty collective bargaining. Professors James Cerilli, Morgan Shipman, William Petersen, and Laurence C. Gerckens each spoke briefly recommending that the Board not sanction an election in the absence of enabling legislation. However, if an election is ordered then recommendations were made as to election and bargaining units, the size of the vote required for passage, and that faculty compensation and workloads be the only issues covered.

\*

\*

\*

COLLECTIVE BARGAINING

Resolution No. 76-17

WHEREAS the American Association of University Professors has expressed the desire to represent the faculty of The Ohio State University in collective negotiations with this University; and

WHEREAS the Board of Trustees of The Ohio State University is vested by law with full authority and responsibility for the governance of the University; and

WHEREAS there exist no legal provisions to govern the process of public employees collective bargaining in Ohio, though such negotiations are not prohibited by law;

NOW THEREFORE

BE IT RESOLVED:

- (1) That the President of The Ohio State University is authorized to make arrangements to conduct an election for the purpose of giving faculty members the opportunity to decide whether they wish to be represented in collective bargaining negotiations regarding faculty compensation and workloads by the American Association of University Professors; and

June 4, 1976 meeting, Board of Trustees

COLLECTIVE BARGAINING (contd)

- (2) That in such election all members of the regular faculty with the titles of Professor, Associate Professor, Assistant Professor, or Instructor whose appointments total 50% or more service to an instructional unit, the library, or the Cooperative Extension Service shall be eligible to vote except those faculty whose primary duties are administrative (i. e., department chairpersons, directors, deans, associate deans and assistant deans), less than 50% appointments, adjunct faculty, clinical faculty, visiting faculty, lecturers, graduate associates, administrative and professional staff, and all other employees; and
- (3) That for the results of such an election to be considered valid, not less than seventy percent (70%) of those faculty members who are eligible to vote must in fact cast valid ballots; and that the American Association of University Professors must receive affirmative votes from sixty-five (65%) of those voting in order to be designated the bargaining agent for the faculty; and
- (4) That such election take place during Fall Quarter, 1976, but only after full and open discussion by the faculty of the issues involved; and
- (5) That the outcome of such an election will in no way be permitted to diminish this Board's authority and responsibility for the governance of the University, nor will it be permitted to affect the established decision-making procedures in academic, governance, or personnel matters other than compensation and workload; and
- (6) That the cost of this election be borne equally by this Board and The Ohio State University Chapter of the AAUP.

Upon motion of Dr. Sirak, seconded by Mrs. James, the Board of Trustees adopted the foregoing resolution by a five to four roll call vote with affirmative votes being cast by Mr. Smith, Mr. Devenow, Mrs. James, Dr. Sirak, and Mr. Gushman and negative votes being cast by Mr. Hilliker, Dr. Jacob, Mr. Dunlap and Mr. Harrod.

\* \* \*

REQUEST FOR FEDERAL FUNDS

President Enarson asked the Secretary to distribute copies of a report which he presented to the Ohio delegation in Washington, D. C., outlining the need for federal dollars for the University.

\* \* \*

June 4, 1976 meeting, Board of Trustees

Thereupon the Board adjourned to meet Friday, July 9, 1976, at The Ohio State University Fawcett Center for Tomorrow, Columbus, Ohio, at 1:30 p.m.

Attest:

\_\_\_\_\_  
Edward Q. Moulton  
Secretary

\_\_\_\_\_  
M. Merle Harrod  
Chairman

Page 660 Blank

INDEX TO OFFICERS AND EMPLOYEES

1975-1976

A

Abbott, Kenneth M. . . . . 622  
 Ackerman, Norleen . . . . . 42, 621  
 Ahlswede, Rudolf . . . . . 273  
 Angerer, Clifford A. . . . . 622  
 Arns, Robert G. . . . . 151

B

Bailey, Lena M. . . . . 393  
 Bailey, Phyllis J. . . . . 40  
 Bannai, Eiichi . . . . . 491  
 Bartholomew, James R. . . . . 621  
 Batey, Charles F., Jr. . . . . 490  
 Baumler, John V. . . . . 525  
 Beal, Jack L. . . . . 625  
 Bellam, Gwendoline . . . . . 43  
 Bendixen, Leo E. . . . . 151  
 Beran, Robert L. . . . . 526  
 Bjornson, Richard W. . . . . 526  
 Black, Brady . . . . . 151  
 Black, John W. . . . . 622  
 Blackwell, H. Robert. . . . . 625  
 Bolz, Harold A. . . . . 622  
 Breese, Mary S. . . . . 235  
 Brierley, Gerald P. . . . . 235  
 Brilliant, J. David . . . . . 379  
 Broekema, Andrew J. . . . . 525  
 Brooks, James E. E. . . . . 491  
 Brown, George L. . . . . 142  
 Burgess, Philip M. . . . . 273, 490  
 Burnham, John C. . . . . 40, 394  
 Burnham, Walter C. . . . . 330  
 Butter, Reinhart F. H. . . . . 152

C

Cerelli, James . . . . . 372  
 Chapman, Edward S. . . . . 43  
 Close, Darwin B. . . . . 526  
 Cole, David W. . . . . 625  
 Cook, Belinda B. . . . . 274  
 Corbato, Charles E. . . . . 624  
 Cornell, Merriss . . . . . 514  
 Craig, Walt D. . . . . 524  
 Crosswhite, Joseph . . . . . 624  
 Croy, Otto C. . . . . 266

Cummins, Raymond L. . . . . 43  
 Cunningham, Luvern L. . . . . 235

D

Dale, Stephen F. . . . . 41  
 Davis, James H. . . . . 527  
 DeLor, C. Joseph. . . . . 490  
 Demorest, Don Louis . . . . . 603  
 Deutscher, Terence . . . . . 621  
 Devenow, Chester . . . 443, 447, 522, 602  
 Devor, Arthur W. . . . . 274  
 DeVore, Robert V. . . . . 235, 621  
 Dewald, William G. . . . . 372  
 Dickey, Lois E. . . . . 337  
 Dilley, Clyde H. . . . . 235, 621  
 Divis, Zita . . . . . 491  
 Dixon, Paul J. . . . . 379  
 Downey, Ann Marie . . . . . 527  
 Drake, Ernest A. . . . . 142  
 Dunlap, John H. . . . . 92, 211, 230,  
 262, 449, 511, 546, 602

E

Eaton, Antoinette P. . . . . 273  
 Ebling, Sally . . . . . 395  
 Enarson, Harold L. . . . 3, 27, 208, 209,  
 261, 436, 439, 519, 545, 655, 658  
 Engle, Jessie A. . . . . 511  
 Erickson, Richard A. . . . . 235  
 Esselburne, Anne F. . . . . 491, 622  
 Ewing, Patrick . . . . . 41  
 Ezzell, Austin B. . . . . 152

F

Fawcett, Harold P. . . . . 380  
 Ferrar, Joseph C. . . . . 491  
 Fink, Howard P. . . . . 273  
 Fisk, Frank W. . . . . 338  
 Flasher, Wanema C. . . . . 42, 491  
 Fleischhauer, Wolfgang . . . . . 622  
 Fontana, Mars G. . . . . 338  
 Ford, Carl Christian. . . . . 620  
 Francis, David G. . . . . 152  
 Fredericks, Casey L. . . . . 623  
 Fuller, J. Osborn . . . . . 151

## G

Gaines, James R. . . . .	621
Garner, Richard T. . . . .	152
Gatrell, Marion T. . . . .	623
Gatrell, Robert Morris. . . . .	622
Geis, Michael. . . . .	625
Gerckens, Laurence C. . . . .	657
Glatt, Charles A. . . . .	231
Glower, Donald. . . . .	620, 625
Graff, Karl F. . . . .	625
Gray, Hamilton . . . . .	622
Greenball, Melvin N. . . . .	394
Griffing, J. Bruce. . . . .	624
Grimm, Frederick T. . . . .	338
Groves, Harold F. . . . .	338
Groves, Robert . . . . .	373
Grubbs, Robert C. . . . .	622
Gushman, John L. . . . .	210, 448, 602, 654

## H

Haber, Tom B. . . . .	603
Hairston, Elaine Hayden . . . . .	490
Hallam, Clifford B. . . . .	395, 622
Hamelberg, William . . . . .	624
Harding, Lowry W. . . . .	236
Harrod, M. Merle. . . . .	443, 545, 546, 602
Havener, William H. . . . .	624
Hayon, Yehiel . . . . .	625
Heck, Arch O. . . . .	486
Helwig, John H. . . . .	622
Hilliker, Donald J. . . . .	265, 266, 444, 601, 602
Hoagland, Henry E. . . . .	232
Hodge, Daniel B. . . . .	394
Hoelscher, Sharon Lou . . . . .	527
Hoffman, Eldon L. . . . .	515
Howard, R. Richard . . . . .	395
Hudspeth, DeLayne R. . . . .	152
Huelsman, Charles B., Jr. . . . .	487
Hugenberger, Franklin C. . . . .	236
Hughes, Daniel T. . . . .	393, 625

## I

Irwin, Ruth Beckey . . . . .	622
------------------------------	-----

## J

Jaap, R. George. . . . .	623
--------------------------	-----

Jacob, John D. . . . .	1, 2, 446, 602
Jacobson, Robert E. . . . .	40
James, Judith E. . . . .	274
James, Patricia D. . . . .	447, 517, 602
Jewett, Robert . . . . .	624
Johnson, Ernest W. . . . .	269
Johnson, William B. . . . .	40
Jones, Russel C. . . . .	372
Jossem, E. Leonard . . . . .	43

## K

Keenan, Philip C. . . . .	623
Kinsey, Eva M. . . . .	267
Knight, Calvin . . . . .	373
Koestner, Adalbert . . . . .	624
Kraut, Robert . . . . .	152
Kristoffersen, Thorvald . . . . .	624

## L

Lande, Alfred . . . . .	331
LaRocque, Aurele . . . . .	623
Larrimer, Lawrence A. . . . .	395
LeBrie, Stephen . . . . .	657
Leussing, Daniel L. . . . .	525
Li, Tien-yi . . . . .	152, 621
Lichstein, Michael L. . . . .	273
Liddle, R. William . . . . .	526
Lin, Michael . . . . .	152
Llorens, Ana R. . . . .	235
Locher, Barbara. . . . .	623
Ludden, Frank . . . . .	625
Lux, Donald . . . . .	624

## M

Mallett, Marcia A. . . . .	42
Malspeis, Louis . . . . .	625
Mand, Charles . . . . .	625
Markels, Julian H. . . . .	525, 625
Martin, Mary F. . . . .	338, 395, 491
Maynard, C. Eugene . . . . .	511
McCauley, Roy B. . . . .	625
McLachlan, Dan, Jr. . . . .	623
McNaul, James P. . . . .	394
Meacham, Esther A. . . . .	525
Meeks, Linda Ann . . . . .	526
Meeks, Margaret Q. . . . .	622
Merriman, William V. . . . .	40
Miller, Eldon . . . . .	490

Moffitt, Mary I. . . . . 620  
 Moore, Enid Swarner. . . . . 153  
 Moore, Harry D. . . . . 623  
 Morford, Mark. . . . . 625  
 Morganstern, James. . . . . 338  
 Moulton, Edward Q. . . . . 546, 602  
 Mount, John T. . . . . 511  
 Murdick, Philip W. . . . . 624

N

Nelson, John W. . . . . 625

O

Odita, Emmanuel O. . . . . 152  
 Osleeb, Jeffrey P. . . . . 621  
 Oster, Clinton V. . . . . 625

P

Pariser, Melanie Moersch . . . . . 338  
 Patton, Robert Dean . . . . . 331  
 Pease, Frances M. . . . . 274  
 Percival, Milton O. . . . . 2  
 Petersen, William . . . . . 372  
 Powell, Ralph Waterbury. . . . . 381

Q

Quaranta, Joseph. . . . . 624

R

Ray, Edward J. . . . . 393  
 Reay, Neville W. . . . . 273  
 Rice, Gerald B. . . . . 526  
 Rigsby, O. Lee. . . . . 236  
 Ritzman, Larry P. . . . . 625  
 Robbins, Edwin. . . . . 372  
 Roberts, Constance J. . . . . 236  
 Roberts, Linda Kay . . . . . 274  
 Robeson, James F. . . . . 625  
 Robinson, Deanna M. . . . . 338  
 Rohrer, John D. . . . . 42  
 Romig, Robert L. . . . . 42  
 Ross, Arnold E. . . . . 394, 623  
 Rucker, T. Donald. . . . . 625

S

Saddam, Alma M. . . . . 338

Safford, William C. . . . . 230  
 Sani, Giacomo A. . . . . 394, 525  
 Saunders, Elmo S. . . . . 491  
 Scheps, Walter. . . . . 526  
 Schlam, Carl C. . . . . 41  
 Schmidt, Berlie L. . . . . 40  
 Schwartz, Mary Jane . . . . . 274  
 Scothorn, Marion W. . . . . 623  
 Scott, Madison H. . . . . 35, 293  
 Scott, Ruth . . . . . 273  
 Secrest, Daisy Johnson . . . . . 381  
 Serif, George S. . . . . 624  
 Shaffer, Thomas E. . . . . 236  
 Shaffer, Wave H. . . . . 623  
 Shipman, Morgan . . . . . 372  
 Shook, William B. . . . . 625  
 Silbernagel, Wynne M. . . . . 236  
 Singh, Inderjit . . . . . 621  
 Sirak, Howard D. . . . . 444, 602  
 Slain, John J. . . . . 490  
 Slatter, Walter L. . . . . 623  
 Slesman, Jay P. . . . . 43, 143  
 Smith, Guy-Harold . . . . . 515  
 Smith, Merritt Roe . . . . . 273  
 Smith, Thomas B. . . . . 544  
 Smith, Warren J. . . . . 445, 521, 602  
 Snider, Frederick L. . . . . 41  
 Snow, Royall H. . . . . 382  
 Spath, Clara C. . . . . 622  
 Spiess, Lawrence . . . . . 624  
 Sprague, Alan . . . . . 236  
 Stackhouse, John M. . . . . 602  
 Staubus, Alfred E. . . . . 526  
 Steahly, Vivian . . . . . 395  
 Stephens, Thomas . . . . . 624  
 Stewart, Mac A. . . . . 151  
 Stogdill, Emily L. . . . . 488  
 St. Pierre, Ronald L. . . . . 624  
 Strayer, Paula J. . . . . 274  
 Stuckey, Wilbur E. . . . . 527  
 Stull, Robert J. . . . . 235, 625  
 Swaino, Jean M. . . . . 42  
 Syverson, Aldrich . . . . . 625

T

Taylor, Claribel M. . . . . 394  
 Theis, Rick . . . . . 656  
 Thompson, Janis A. . . . . 338  
 Thompson, Ronald B. . . . . 233  
 Thurston, Marlin O. . . . . 269  
 Troxel, Allen W. . . . . 624

Tupps, Doris Rice . . . . .	153
Turnbull, Robert . . . . .	625
Tyler, I. Keith . . . . .	236

U

Uotila, Urho . . . . .	625
------------------------	-----

V

VanBuren, A. J. R. . . . .	337
Van Meter, Donald S. . . . .	395
Vedder, Charles C. . . . .	624
Verhoek, Frank H. . . . .	623
Vitello, Elaine M. . . . .	42, 527
Vitt, Gisela M. . . . .	491
Volkman, M. Frederic . . . . .	40
VonEschen, Garvin L. . . . .	625
Voss, Jerrold R. . . . .	40

W

Wade, Robert E. . . . .	624
Waits, Bert K. . . . .	41
Waldman, Marilyn R. . . . .	42
Walsh, Gertrude M. . . . .	383
Washington, Robert O. . . . .	525, 620
Weaver, Alga D. . . . .	624
Weicher, John C. . . . .	41
Wilson, Richard M. . . . .	41
Windsor, Richard A. . . . .	42
Wisecarver, Daniel L. . . . .	527
Wojcicki, Andrew . . . . .	41
Wolf, Harold H. . . . .	151
Wong, Sia Kow . . . . .	337
Woodson, Thomas. . . . .	625
Worley, Thomas . . . . .	23
Wright, Harvey D. . . . .	43

Y

Yocum, James Carleton. . . . .	623
Young, Donald G., Sr. . . . .	338
Young, Elizabeth L. . . . .	490
Yovits, Marshall C. . . . .	625

Z

Zubovich, Frank M. . . . .	235
Zwettler, Michael James . . . . .	273



GENERAL INDEX

1975-1976 Minutes

A

Absi, Philip E., and Associates, Columbus, Ohio . . . . . 361

ACTION, Procurement Division, Washington, D. C. . . . . 279

ACTION, Small Purchases Branch, Washington, D. C. . . . . 240

Administrative Officials, Expenses for Designated. . . . . 209

Administrative Science, College of . . . . . 19

Adria Laboratories, Inc., Wilmington, Delaware . . . . . 535

Agreements . . . . . 292

Agricultural Technical Institute. . . . . 26, 619

Agricultural Technical Institute (Wooster, Ohio) - Phase II . . . . . 70

Agriculture and Home Economics, College of . . . . . 19

Agriculture, U. S. Department of, Forest Service, Northeastern Forest  
Experiment Station, Upper Darby, Pennsylvania. . . . . 59

Agronomy, Natural Resources and Plant Pathology Building . . . . . 73

Aguiar, Michael S. . . . . 23

Air Force, Department of the, Wright-Patterson Air Force Base, Ohio . . . . . 497

Air Force, Department of the, Air Force Office of Scientific Research,  
Arlington, Virginia (Research Foundation Contracts/Grants) . . . . . 416

Air Force, Department of the, Air Force Office of Scientific Research,  
Bolling Air Force Base, D. C. (Research Foundation Contracts/  
Grants) . . . . . 401, 496, 632, 634

Air Force, Department of the, Air Force Office of Scientific Research,  
Washington, D. C. (Research Foundation Contract/Grant) . . . . . 343

Air Force, Department of the, Air Force Special Weapons Center (PMRB),  
Kirtland Air Force Base, New Mexico (Research Foundation  
Contract/Grant) . . . . . 244

Air Force, Department of the, Air Force Systems Command, Aeronautical  
Systems Division (PPMEA), Wright-Patterson Air Force Base, Ohio  
(Research Foundation Contract/Grant). . . . . 245

Air Force, Department of the, Air Force Systems Command, Aeronautical  
Systems Division, Wright-Patterson Air Force Base, Ohio (Research  
Foundation Contracts/Grants) . . . . . 187, 188, 245, 496, 632, 634

Air Force, Department of the, Air Force Systems Command, Division  
PPMNA, Wright-Patterson Air Force Base, Ohio (Research  
Foundation Contract/Grant) . . . . . 403

Air Force, Department of the, Air Force Systems Command, Electronic  
Systems Division, Hanscom Air Force Base, Massachusetts  
(Research Foundation Contracts/Grants) . . . . . 189, 245

Air Force, Department of the, Electronic Systems Division, Air Force  
Systems Command, Hanscom Air Force Base, Massachusetts  
(Research Foundation Contracts/Grants) . . . . . 403, 633

Air Force, Department of the, Electronic Systems Division, Hanscom  
Air Force Base, Massachusetts (Research Foundation Contract/  
Grant) . . . . . 280

Air Force, Department of the, Rome Air Development Center, (AFSC), Griffiss Air Force Base, New York (Research Foundation Contracts/ Grants) . . . . .	186, 188, 351, 402
Air Force, Department of the, Rome Air Development Center, Air Force Systems Command, Griffiss Air Force Base, New York (Research Foundation Contract/Grant) . . . . .	633
Air Force, Department of the, U. S. Air Force Office of Scientific Research, Arlington, Virginia (Research Foundation Contracts/Grants) . . . . .	170, 171
Air Force, Department of the, U. S. Air Force Systems Command, Aeronautical Systems Division, Wright-Patterson Air Force Base, Ohio (Research Foundation Contract/Grant) . . . . .	171
Air Force, U. S. Air Force Office of Scientific Research, Bolling Air Force Base, D. C. (Research Foundation Contract/Grant) . . . . .	534
Air Force, U. S. Department of the, Air Force Special Weapons Center (PMRB), Kirtland Air Force Base, New Mexico (Research Foundation Contract/Grant) . . . . .	55
Air Force, U. S. Department of the, Air Force Systems Command, Aeronautical Systems Division, Wright-Patterson Air Force Base, Ohio (Research Foundation Contract/Grant) . . . . .	56
Air Force, U. S. Department of the, Air Force Systems Command, Wright-Patterson Air Force Base, Ohio (Research Foundation Contract/Grant) . . . . .	58
Air Force, U. S. Department of the, 2750th Air Base Wing - PMA, Special Procurement Branch, Building 2, Area C, Wright- Patterson Air Force Base, Ohio (Research Foundation Contract/ Grant) . . . . .	413
Air Force, U. S. Department of the, Wright-Patterson Air Force Base, Ohio (Research Foundation Contract/Grant) . . . . .	281
Alcoa Foundation, Pittsburgh, Pennsylvania . . . . .	60, 287
Allen, Florence B., Estate of . . . . .	195
Allen, Florence B., Poetry Awards Fund (The) . . . . .	195
Allied Medical Professions Endowment Fund, School of the . . . . .	640
Allied Medical Professions, School of . . . . .	19
Allstate Foundation (The), Hudson, Ohio . . . . .	408
Aluminum Company of America, Alcoa, Pennsylvania . . . . .	180
American Association of University Professors . . . . .	230, 294, 657
American Cancer Society, Inc., New York, New York (Research Foundation Contracts/Grants) . . . . .	178, 191, 192, 353
American Cancer Society, Ohio Division, Franklin County, Columbus, Ohio (Research Foundation Contract/Grant) . . . . .	354
American Diabetes Association, New York, New York . . . . .	192
American Electric Power Service Corporation, New York, New York . . . . .	181, 407
American Foundation for Pharmaceutical Education, Fair Lawn, New Jersey . . . . .	287, 500
American Heart Association, Central Ohio Heart Chapter, Inc., Columbus, Ohio (Research Foundation Contracts/Grants) . . . . .	248-252, 285, 346
American Heart Association, East Central Ohio Heart, Inc., Canton, Ohio (Research Foundation Contracts/Grants) . . . . .	353, 354
American Heart Association, Eastern Ohio Chapter, Inc., Youngstown, Ohio (Research Foundation Contract/Grant) . . . . .	285
American Heart Association, Inc., New York, New York (Research Foundation Contracts/Grants) . . . . .	178, 285

American Iron and Steel Institute, New York, New York . . . . . 58

American Iron and Steel Institute, Washington, D. C. . . . . 286

American Nurses' Foundation, Kansas City, Missouri . . . . . 179

American Orchid Society Fund for Education and Research, Inc.,  
Cambridge, Massachusetts . . . . . 499

American Pharmaceutical Association Foundation, Washington, D. C. . . . . 284

Amoco Foundation, Inc., Chicago, Illinois . . . . . 288, 408

Anderson Foundation, Maumee, Ohio. . . . . 355

Andersons (The), Maumee, Ohio. . . . . 406

Antique Show Receipts (given in the name of Josephine Failer), Columbus,  
Ohio . . . . . 408, 537

A-1 Plumbing & Heating, Inc. . . . . 645

Appalachian Regional Commission (The), Washington, D. C. . . . . 350

Arby's, Inc., Youngstown, Ohio . . . . . 355

Architecture, School of . . . . . 19

Arjay Construction Company . . . . . 259, 644

Armco Foundation, Middletown, Ohio . . . . . 60

Army, Department of the, Defense Civil Preparedness Agency, Washington,  
D. C. (Research Foundation Contract/Grant) . . . . . 175

Army, Department of the, Defense Supply Service, Washington, D. C.  
(Research Foundation Contract/Grant). . . . . 186

Army, Department of the, Maryland Procurement Office, Fort George  
G. Meade, Maryland (Research Foundation Contract/Grant) . . . . . 353

Army, Department of the, U. S. Army Electronics Command, Fort  
Monmouth, New Jersey (Research Foundation Contract/Grant). . . . . 535

Army, Department of the, U. S. Army Medical Research and Development  
Command, Washington, D. C. (Research Foundation Contract/  
Grant) . . . . . 187

Army, Department of the, U. S. Army Research Office, Research Triangle  
Park, North Carolina (Research Foundation Contracts/Grants). . . . . 283, 344, 416

Ashland County - West Holmes Joint Vocational School, Ashland, Ohio . . . . . 165

Associates of Medicine (The), Columbus, Ohio . . . . . 60, 180, 194, 254, 288

Association of American Railroads, Washington, D. C. . . . . 408

Atlas Electrical Construction, Inc., Elyria, Ohio . . . . . 651

Auditor of State, Report of. . . . . 368, 654

Automated Construction Technology, Inc., Dayton, Ohio . . . . . 361

Ayres, James G. (Mr. and Mrs.) (Gift) . . . . . 411

**B**

Babcock and Wilcox Company (The), Alliance, Ohio . . . . . 346, 408

Bachelor of Science in Labor and Human Resources. . . . . 332

Baltimore - City of, Department of Education (Through Mayor and  
City Council of Baltimore), Baltimore, Maryland . . . . . 530

Barberton Public Schools, Barberton, Ohio. . . . . 530

Bassett, James H., Inc., Lima, Ohio. . . . . 425

Battelle Columbus Laboratories, Columbus, Ohio (Research  
Foundation Contract/Grant). . . . . 635

Battelle Columbus Laboratories, Durham Operations, Durham,  
North Carolina (Research Foundation Contract/Grant) . . . . . 405

Battelle Memorial Institute, Columbus, Ohio . . . . . 60, 537

Battelle Memorial Institute, Columbus Laboratories, Columbus, Ohio (Research Foundation Contract/Grant) . . . . .	.58
Bell Laboratories, Columbus, Ohio . . . . .	500
Bell, Marshall A. . . . .	378
Benedum, Claude Worthington, Foundation, Pittsburgh, Pennsylvania . . . . .	636
Benedum, Paul G., Recreation Center . . . . .	608
Bergemann-Vanek & Associates, Canton, Ohio . . . . .	71
Big Bear Stores Company, Columbus, Ohio. . . . .	288
Biggs, Ernie, Athletic Training Facility Parking Lot Renovation . . . . .	541
Biological Sciences Building--Exhaust and Boiler Revisions. . . . .	74, 291
Biosciences Information Service of Biological Abstracts, Philadelphia, Pennsylvania. . . . .	535
Blue Cross Hospitalization Insurance Benefits. . . . .	652
Blume and Company, Columbus, Ohio . . . . .	542
Board of Education (The), Columbus City School District, Columbus, Ohio . . . . .	243
Board of Education (The), Mansfield City School District, Mansfield, Ohio . . . . .	185
Board of Education, Parma City School District, Parma, Ohio . . . . .	51
Bogart, Lloyd W. and Evelyn M. (Gift) . . . . .	537
Bogart, Lloyd W. and Evelyn M., Fund (The) . . . . .	537
Botany and Zoology Building--Window Replacement . . . . .	643
Branch Bank . . . . .	367
Bremer Foundation (The), Youngstown, Ohio . . . . .	180, 194, 406, 636
Brown Hall--Installation of New Elevator . . . . .	91
Brubaker/Brandt, Inc., Columbus, Ohio . . . . .	73
Bruner, Wilbur H., Pork Industry Award (The) . . . . .	639
Buckeye Association of School Administrators, Westerville, Ohio. . . . .	342
Buckeye Local Schools, Ashtabula, Ohio . . . . .	630
Budget Plans for 1976-77 . . . . .	436
Building, Demolition of. . . . .	544
Buildings and Property, Purchase of . . . . .	200, 208, 509
Burgess & Niple, Ltd., Columbus, Ohio. . . . .	70
Business and Administration, Office of . . . . .	153, 275, 397
<i>Bylaws of the Board of Trustees</i> . . . . .	145, 146, 333, 605

C

C. & E. Mechanical Co., New Albany, Ohio. . . . .	291
Caplan, B. Bernard (Dr.), Columbus, Ohio (Gift) . . . . .	181
Cardiothoracic Surgeons, Inc., Columbus, Ohio . . . . .	420
Carl's Plumbing and Heating, Marion, Ohio. . . . .	650
Carter-Wallace, Inc., Cranbury, New Jersey . . . . .	181, 637
Central Ohio Area Agency on Aging, Parks and Recreation, Columbus, Ohio . . . . .	177, 179
Central Ohio Lung Association, Columbus, Ohio . . . . .	194
Chapman, Anita Esbenshade (Gift) . . . . .	423
Chapman, Anita Esbenshade, Scholarship Fund (The) . . . . .	423
Chapman, James E. (given in the name of Anita E. Chapman), Cleveland, Ohio (Gift) . . . . .	407
Charleston County Schools, Charleston, South Carolina . . . . .	414
Chemistry Laboratories Remodeling (McPherson Chemical Laboratory) and Stillman Hall Alterations . . . . .	503

Chevron Research Company, Richmond, California .....	288, 408
Ciba-Geigy Corporation, Summit, New Jersey. ....	347
City National Bank & Trust Company, Columbus, Ohio .....	367, 407
Civil Service Paybill .....	293
Classroom Improvements .....	257, 426
Clinical Medical Sciences Education Facility (Supporting Services Phase), (Phase I), and Clinical Medical Sciences Education Facility, Phase II .....	261
Clinical Medical Sciences Education Facility, Phase II .....	197
Clow Foundation, Oak Brook, Illinois .....	408
Coates, Bradley T., M. D., Lantana, Florida (Gift-in-Kind) .....	355
<i>Code of Student Rights and Responsibilities</i> .....	151
Cohen, A. B., Dolly & Ralph, Foundation, Cincinnati, Ohio .....	180
Coke, John S., and Associates, Columbus, Ohio .....	504
Collective Bargaining. . . . . 230, 262, 294, 295, 372, 373, 376, 438, 439, 443-449, 545, 657	
Columbia Gas of Ohio, Inc. - Dodd Hall .....	429
Columbia Gas System Service Corporation, Columbus, Ohio .....	193, 253
Columbus, City of, Columbus, Ohio .....	185, 543
Columbus, City of - Columbus Workhouse, Columbus, Ohio .....	179
Columbus Foundation (The), Columbus, Ohio .....	419, 498, 536
Columbus Metropolitan Area Community Action Organization, Columbus, Ohio .....	242, 243, 494, 495
Columbus and Southern Ohio Electric Company .....	429, 499
Committee on Institutional Cooperation, Evanston, Illinois, Subcontract under Alfred P. Sloan Foundation (CIC + Midwestern Program for Minorities in Engineering) .....	414
Commonwealth of Kentucky, Department of Education, Vocational Education Research Development Program, Frankfort, Kentucky .....	279
Commonwealth of Kentucky, Division of Purchases, Executive Department of Finance and Administration, Frankfort, Kentucky .....	243
Conditions for Sale of Tickets .....	523
Consolidated Business Services, Inc., Columbus, Ohio. . . . . 287, 347, 355, 406, 500, 535, 636	
Consumer Guild Foods, Inc., Toledo, Ohio .....	355
Continuing Education .....	19
Cooperative Extension Service .....	24, 618
Corbett Foundation (The), Cincinnati, Ohio .....	287
Corning Glass Works Foundation, Corning, New York .....	288
Council of Chief State School Officers, Office of Special Projects, Washington, D. C. . . . . 350	
Critchfield, Robert M. (The), Professorship in Engineering .....	63
Croce & Abbott, Architects, Columbus, Ohio .....	71
Cuyahoga Heights Board of Education, Cleveland, Ohio .....	342

D

Dairy Research, Inc., Rosemont, Illinois .....	405
Davis, S. Robert, Columbus, Ohio (Gift) .....	287, 406
Dayco Corporation, Springfield, Missouri .....	419
Deaerating Feedwater Heater .....	361, 540
Deafness Research Foundation (The), New York, New York .....	404, 405
Defense Civil Preparedness Agency, Region Four, Federal Center, Battle Creek, Michigan .....	278
Degrees and Certificates .....	35, 268, 332, 389, 516

DeLong, Dwight M. (Dr.) (Gift-in-Kind) . . . . .	638
Demkee, Donald E. (Gift) . . . . .	501
Demkee, Donald E., Dental Scholarship Fund (The) . . . . .	501
Demolition of Building . . . . .	544
Demos Electric Co., Inc., Columbus, Ohio . . . . .	260, 647-649
Dental Hygiene . . . . .	19
Dentistry Building Improvements . . . . .	426, 649
Dentistry Building--Replacement of Basement Fan . . . . .	364
Dentistry, College of . . . . .	20, 654
Derby Hall Remodeling . . . . .	259, 260
Distinguished Service Awards . . . . .	31
Don Scott Field . . . . .	365
Dow Chemical Company, Midland, Michigan . . . . .	346, 355
Drake Union . . . . .	367
du Pont de Nemours, E. I., & Company, Wilmington, Delaware . . . . .	407, 420
Duriron Company (The), Inc., Dayton, Ohio . . . . .	408

E

Easements . . . . .	429, 430, 508, 543
East Stadium Improvements - Research Space . . . . .	72
Eastern Star, Order of the, The Grand Chapter of Ohio, New Lexington, Ohio . . . . .	181
Eastman Kodak Company, Rochester, New York . . . . .	287, 355
Education, College of . . . . .	19
Education Laboratory Improvements (Welding Engineering Laboratories Building) and Poultry Administration Building Improvements . . . . .	504
Educational Affairs Committee . . . . .	92, 210
Eikenberry, Bertha F., Estate of . . . . .	356
Eikenberry, Dan H., Scholarship Fund (The) . . . . .	356
Elano Corporation (given in the name of Ervin J. Nutter), Xenia, Ohio . . . . .	347
Electric Power Equipment Company . . . . .	199
Electric Power Research Institute, New York, New York . . . . .	252
Electric Power Research Institute, Palo Alto, California . . . . .	417, 419
Electrical Expansion - West Campus . . . . .	91
Electrical System Expansion and Telephone Ducts--Phase II . . . . .	362, 542
Eleventh Avenue Parking Ramp . . . . .	198, 367, 507
Endo Laboratories, Inc., Garden City, New York . . . . .	420
Endowed Professorships . . . . .	334, 489
Energy Conservation, Phase II . . . . .	361
Energy Conservation--Phase II (Project A) . . . . .	505
Energy Conservation--Phase II (Project C) . . . . .	540
Energy Research and Development Administration, Argonne, Illinois . . . . .	163
Energy Research and Development Administration, Argonne, Illinois (Research Foundation Contracts/Grants) . . . . .	401, 415
Energy Research and Development Administration, Brookhaven National Laboratory, Associated Universities, Inc., Upton, Long Island, New York (Research Foundation Contract/Grant) . . . . .	246
Engineering, College of . . . . .	19
Engineering Experiment Station . . . . .	24, 154, 276, 398, 618
Enrollment Estimates for 1975-1976 . . . . .	14
Enrollment, Report on . . . . .	209, 261
Environmental Protection Agency, Argonne, Illinois (Research Foundation Contract/Grant) . . . . .	531
Environmental Protection Agency, Chicago, Illinois (Research Foundation Contract/Grant) . . . . .	415

Environmental Protection Agency, Washington, D. C. (Research Foundation Contract/Grant) . . . . .	534
Environmental Protection Agency, Environmental Sciences Research Laboratory, Research Triangle Park, North Carolina (Research Foundation Contract/Grant) . . . . .	496
Environmental Protection Agency, National Environmental Research Center, Research Triangle Park, North Carolina (Research Foundation Contract/Grant) . . . . .	403
Ervin, James . . . . .	262
Eschliman Associates, Columbus, Ohio . . . . .	72
Esswein, Roland A., & Sons Co. . . . .	429
Evans Laboratory Ventilation, Phase II . . . . .	91
Evans, R. T., Company . . . . .	75
Evans, Thomas J., Foundation (The), (given in the name of Thomas J. Evans, deceased), Newark, Ohio . . . . .	420
Expanded Opportunity for Women and Minorities, Proposed Initiatives Concerning . . . . .	27

F

Faculty Appointments, Promotions, and Tenure . . . . .	145
Fawcett Center for Tomorrow . . . . .	24, 619
Fawcett, Novice G. (Mrs.) . . . . .	230
Federal Aviation Administration . . . . .	200, 365, 430
Federal Energy Administration, Washington, D. C. . . . .	628
Fees . . . . .	15, 16, 17, 19
Ferris State College, Big Rapids, Michigan . . . . .	165
Finley, Alice Lloyd, Estate of . . . . .	637
Firestone, Daniel J. L. (Gift) . . . . .	538
Firestone, Daniel J. L., Photography Scholarship (The) . . . . .	538
Fisher, Max M. & Marjorie S., Foundation, Inc. . . . .	408
Flavorland Industries, Inc., Omaha, Nebraska . . . . .	407
Flickinger Memorial Trust Inc. (The), Lima, Ohio . . . . .	408
Flint Community Schools, Flint, Michigan . . . . .	165, 185
Football Broadcasting Contract . . . . .	365
Ford, David L. (Dr.), Columbus, Ohio (Gift) . . . . .	500
Ford Foundation (The), New York, New York . . . . .	279, 406
Ford Motor Company, Dearborn, Michigan . . . . .	409
Foundation for Endowment of a Chair at Ohio State University, Inc., New York, New York . . . . .	287, 535
Franklin - County of, Board of Commissioners . . . . .	508
Franklin - County of, Board of County Commissioners . . . . .	75
Franklin County Halfway House, Inc., Columbus, Ohio . . . . .	635
Franklin County Mental Health and Retardation Board, Columbus, Ohio . . . . .	165
Franklin County Program for the Mentally Retarded, Columbus, Ohio . . . . .	184, 185
Franklin County Prosecuting Attorney's Office, Diversion Unit Grant, Columbus, Ohio . . . . .	342
Franklin Institute Research Laboratories (The), Philadelphia, Pennsylvania . . . . .	353
Freeman, Robert E. and Marguerite R. (Sale of Property) . . . . .	92
French Field House Remodeling . . . . .	363, 647
Fry, Inc., Springfield, Ohio . . . . .	507
Fuhrman, Ernest D., Mr. and Mrs., Lima, Ohio (Gift) . . . . .	359
Fuhrman, Thomas H., Memorial Fund (The) . . . . .	359

G

Gallaudet College, Washington, D. C. . . . . 530  
 Galvin Hall - New Elevator (The Ohio State University Lima Campus, Lima, Ohio) . . . . . 291  
 Gannett, Frank E., Newspaper Foundation, Inc., Rochester, New York . . . . . 406  
 Garage and Laundry Building Remodeling . . . . . 363, 507, 508  
 General Electric Corporation, Aircraft Engine Group, Evendale, Ohio . . . . . 405  
 General Electric Foundation (The), Bridgeport, Connecticut . . . . . 347, 409  
 General Motors Corporation, Detroit, Michigan . . . . . 347  
 George, Alan, and Associates . . . . . 428  
 Gibboney, John P., and Associates, Columbus, Ohio . . . . . 503  
 Gibson, Cable M., Memorial Fund . . . . . 421  
 Gibson, Sally R., Estate of . . . . . 421  
 Gifts-in-Kind . . . . . 61, 254, 355, 409, 637, 638  
 Glaser, Donald L. and Clara G., Scholarship Fund (The) . . . . . 641  
 Golden Giant, Inc., Kenton, Ohio . . . . . 651  
 Gordian Associates, Incorporated, New York, New York . . . . . 180, 346  
 Graduate Education Facility . . . . . 292  
 Graduate Professional Admissions Policy . . . . . 654  
 Graduate School - Master's Degree Fees . . . . . 19  
 Graduate School - Ph. D. Degree Fees . . . . . 19  
 Grasser, Arthur P., Estate of . . . . . 406, 421, 637  
 Greene-Clinton County Board of Mental Health and Retardation, Xenia, Ohio . . . . . 242  
 Grogan, Robert J., Columbus, Ohio (Gift) . . . . . 355  
 Gund, George, Foundation (The), Cleveland, Ohio . . . . . 630  
 Guy, J. A., Inc., Dublin, Ohio . . . . . 199

H

Hahn, James Nick, Bellevue, Ohio (Gift) . . . . . 409  
 Hamilton Hall, Electrical Phase II . . . . . 362  
 Hancock, John, Mutual Life Insurance Company . . . . . 371  
 Harper, George, Memorial Fund . . . . . 256  
 Harper, Mary E., Amlin, Ohio (Gift) . . . . . 256  
 Hartford, John A., Foundation, Inc. (The), New York, New York . . . . . 181, 347  
 Haskett Hall Remodeling . . . . . 645, 646  
 Hatfield, Lester E., Co. . . . . 508  
 Haughton Elevator Co., Lima, Ohio . . . . . 291  
 Hawkins, James M., Jr., D.D.S., Memorial Scholarship Fund (The) . . . . . 501  
 Hayman, Jeffrey . . . . . 656  
 Health, Education, and Welfare, Department of, Division of Associated Health  
     Professions, Bethesda, Maryland . . . . . 47, 48  
 Health, Education, and Welfare, Department of, Grant and Procurement  
     Management Division, Occupational and Adult Education Branch,  
     Washington, D. C. . . . . 157  
 Health, Education, and Welfare, Department of, National Institute of  
     Education, Washington, D. C. (Research Foundation Contracts/  
     Grants) . . . . . 170, 174, 415  
 Health, Education, and Welfare, Department of, National Institute of  
     Education, Contracts/Grants Management Division, Washington, D. C. . . . . 183, 529, 628  
 Health, Education, and Welfare, Department of, National Library of  
     Medicine, Bethesda, Maryland . . . . . 529  
 Health, Education, and Welfare, Department of, Office of the  
     Assistant Secretary for Planning and Evaluation, Washington,  
     D. C. (Research Foundation Contracts/Grants) . . . . . 186, 402



Health, Education, and Welfare, Department of, Office of Child Health and Human Development, Washington, D. C. (Research Foundation Contracts/Grants) . . . . .	53, 280
Health, Education, and Welfare, Department of, Office of Education, Washington, D. C. . . . .	49, 157, 493
Health, Education, and Welfare, Department of, Office of Education, Washington, D. C. (Research Foundation Contracts/Grants) . . . . .	174, 247, 280
Health, Education, and Welfare, Department of, Office of Education, Bureau of Education for the Handicapped, Washington, D. C. (Research Foundation Contract/Grant) . . . . .	175
Health, Education, and Welfare, Department of, Office of Education, Grant and Procurement Management Division, Washington, D. C. . . . .	45, 46, 48, 158-162, 349
Health, Education, and Welfare, Department of, Office of Education, Occupational and Adult Education Branch, Grant and Procurement Management Division, Washington, D. C. . . . .	161
Health, Education, and Welfare, Department of, Office of Human Development, OS, Rehabilitation Services Administration, Chicago, Illinois. . . . .	239
Health, Education, and Welfare, Department of, Office of Human Development, Rehabilitation Services Administration, Chicago, Illinois. . . . .	158
Health, Education, and Welfare, Department of, Office of Rehabilitation Services, Region V, OHD, Chicago, Illinois . . . . .	158
Health, Education, and Welfare, Department of, Office of the Secretary, Washington, D. C. (Research Foundation Contracts/Grants) . . . . .	176, 284
Health, Education, and Welfare, Department of, Office of the Secretary, Office of Human Development, Rehabilitation Services Administration, Washington, D. C. (Research Foundation Contract/Grant) . . . . .	187
Health, Education, and Welfare, Department of, Public Health Service, Bethesda, Maryland. . . . .	46, 162, 278, 529, 628
Health, Education, and Welfare, Department of, Public Health Service, Chicago, Illinois . . . . .	158-161
Health, Education, and Welfare, Department of, Public Health Service, Alcohol, Drug Abuse, and Mental Health Administration, National Institute on Drug Abuse, Rockville, Maryland (Research Foundation Contract/Grant) . . . . .	167, 188, 531, 632
Health, Education, and Welfare, Department of, Public Health Service, Alcohol, Drug Abuse, and Mental Health Administration, National Institute of Mental Health, Bethesda, Maryland (Research Foundation Contract/Grant) . . . . .	416
Health, Education, and Welfare, Department of, Public Health Service, Alcohol, Drug Abuse, and Mental Health Administration, National Institute of Mental Health, Rockville, Maryland (Research Foundation Contracts/Grants) . . . . .	169, 171, 175, 282
Health, Education, and Welfare, Department of, Public Health Service, Bureau of Health Education, Center for Disease Control, Atlanta, Georgia (Research Foundation Contract/Grant) . . . . .	174
Health, Education, and Welfare, Department of, Public Health Service, Bureau of Health Manpower, Bethesda, Maryland. . . . .	278, 279
Health, Education, and Welfare, Department of, Public Health Service, Bureau of Health Manpower, Health Resources Administration, Bethesda, Maryland. . . . .	157, 158

Health, Education, and Welfare, Department of, Public Health Service, Division of Associated Health Professions, Bethesda, Maryland . . . . .	160-162, 183
Health, Education, and Welfare, Department of, Public Health Service, Division of Cancer Research Resources and Centers, National Cancer Institute, Bethesda, Maryland . . . . .	46, 47, 49, 239, 341
Health, Education, and Welfare, Department of, Public Health Service, Division of Extramural Affairs, National Heart and Lung Institute, Bethesda, Maryland . . . . .	341
Health, Education, and Welfare, Department of, Public Health Service, Division of Nursing, Bethesda, Maryland . . . . .	158, 163
Health, Education, and Welfare, Department of, Public Health Service, Food and Drug Administration, Rockville, Maryland (Research Foundation Contracts/Grants) . . . . .	55, 166, 174, 402, 416, 535
Health, Education, and Welfare, Department of, Public Health Service, Grants and Contracts Management Branch, Chicago, Illinois . . . . .	163
Health, Education, and Welfare, Department of, Public Health Service, Grants and Contracts Management Branch, National Institute of Mental Health, Bethesda, Maryland . . . . .	159, 162, 163, 183
Health, Education, and Welfare, Department of, Public Health Service, Grants and Procurement Management Division, Washington, D. C. . . . .	163
Health, Education, and Welfare, Department of, Public Health Service, Grants Management Branch, Bethesda, Maryland . . . . .	157
Health, Education, and Welfare, Department of, Public Health Service, Health Manpower Branch, Regional Health Administration, Chicago, Illinois (Research Foundation Contract/Grant) . . . . .	244
Health, Education, and Welfare, Department of, Public Health Service, Health Resources Administration, Bureau of Health Manpower, Bethesda, Maryland . . . . .	238, 413
Health, Education, and Welfare, Department of, Public Health Service, Health Resources Administration, Bureau of Health Manpower, Grants and Contracts Management Branch, Chicago, Illinois . . . . .	493, 494
Health, Education, and Welfare, Department of, Public Health Service, Health Resources Administration, Bureau of Health Resources Development, Bethesda, Maryland . . . . .	529
Health, Education, and Welfare, Department of, Public Health Service, Health Resources Administration, Bureau of Health Resources Development, Division of Nursing, Bethesda, Maryland (Research Foundation Contract/Grant) . . . . .	166
Health, Education, and Welfare, Department of, Public Health Service, Health Resources Administration, National Center for Health Services Research, Rockville, Maryland (Research Foundation Contract/Grant) . . . . .	166, 415
Health, Education, and Welfare, Department of, Public Health Service, National Cancer Institute, Division of Cancer Research Resources and Centers, Bethesda, Maryland . . . . .	160
Health, Education, and Welfare, Department of, Public Health Service, National Eye Institute, Bethesda, Maryland . . . . .	164
Health, Education, and Welfare, Department of, Public Health Service, National Heart and Lung Institute, Division of Blood Disease and Resources, Bethesda, Maryland . . . . .	160
Health, Education, and Welfare, Department of, Public Health Service, National Institute of Arthritis, Metabolism and Digestive Diseases, Bethesda, Maryland . . . . .	47

Health, Education, and Welfare, Department of, Public Health Service,  
National Institute of Child Health and Human Development,  
Bethesda, Maryland . . . . .47

Health, Education, and Welfare, Department of, Public Health Service,  
National Institute of Child Health and Human Development,  
Bethesda, Maryland (Research Foundation Contracts/Grants) . . . . .169, 173

Health, Education, and Welfare, Department of, Public Health Service,  
National Institute of Dental Research, Bethesda, Maryland . . . . .45

Health, Education, and Welfare, Department of, Public Health Service,  
National Institute of General Medical Sciences, Bethesda, Maryland . . . . .400

Health, Education, and Welfare, Department of, Public Health Service,  
National Institute of Mental Health, Bethesda, Maryland . . . . .46, 48, 49, 238

Health, Education, and Welfare, Department of, Public Health Service,  
National Institute of Neurological and Communicative Disorders  
and Stroke, Bethesda, Maryland . . . . .46, 47, 164

Health, Education, and Welfare, Department of, Public Health Service,  
National Institutes of Health, Division of Research Resources,  
Bethesda, Maryland (Research Foundation Contracts/Grants) . . . . .172, 343, 532

Health, Education, and Welfare, Department of, Public Health Service,  
National Institutes of Health, National Cancer Institute, Bethesda,  
Maryland (Research Foundation Contracts/Grants) . . .52, 166-168, 170, 173, 248, 343,  
344, 401, 403, 415, 497, 531, 532, 631, 633

Health, Education, and Welfare, Department of, Public Health Service,  
National Institutes of Health, National Eye Institute, Bethesda, Maryland  
(Research Foundation Contracts/Grants) . . . . .54, 170, 174, 351, 634

Health, Education, and Welfare, Department of, Public Health Service,  
National Institutes of Health, National Heart and Lung Institute,  
Bethesda, Maryland (Research Foundation Contracts/Grants) . . . .167, 172, 173, 186,  
187, 280, 281, 345, 496, 532, 534, 632, 633

Health, Education, and Welfare, Department of, Public Health Service,  
National Institutes of Health, National Institute of Allergy and  
Infectious Diseases, Bethesda, Maryland (Research Foundation  
Contracts/Grants) . . . . .52, 53, 171, 173

Health, Education, and Welfare, Department of, Public Health Service,  
National Institutes of Health, National Institute of Arthritis and  
Metabolic Diseases, Bethesda, Maryland (Research Foundation  
Contract/Grant) . . . . .172

Health, Education, and Welfare, Department of, Public Health Service,  
National Institutes of Health, National Institute of Arthritis and  
Metabolic and Digestive Diseases, Bethesda, Maryland (Research  
Foundation Contracts/Grants) . . . . .282, 283, 417, 632

Health, Education, and Welfare, Department of, Public Health Service,  
National Institutes of Health, National Institute of Child Health and  
Human Development, Bethesda, Maryland (Research Foundation  
Contracts/Grants) . . . . .244, 246, 283

Health, Education, and Welfare, Department of, Public Health Service,  
National Institutes of Health, National Institute of Dental Research,  
Bethesda, Maryland (Research Foundation Contracts/Grants) . . . . .52, 166, 632

Health, Education, and Welfare, Department of, Public Health Service,  
National Institutes of Health, National Institute of General Medical  
Sciences, Bethesda, Maryland (Research Foundation Contracts/Grants) . . . .53, 54, 56,  
57, 167, 169, 176, 282, 283, 402, 496, 532, 533, 630, 631, 635

Health, Education, and Welfare, Department of, Public Health Service,  
National Institutes of Health, National Institute of General Medical Sciences,  
Washington, D. C. (Research Foundation Contracts/Grants) . . . . .56, 245, 246

Health, Education, and Welfare, Department of, Public Health Service, National Institutes of Health, National Institute of Neurological and Communicative Disorders and Stroke, Bethesda, Maryland (Research Foundation Contracts/Grants) . . . . .	168, 244, 245, 343, 402, 416, 635
Health, Education, and Welfare, Department of, Public Health Service National Institutes of Health, National Library of Medicine, Bethesda, Maryland (Research Foundation Contracts/Grants) . . . . .	244, 531
Health, Education, and Welfare, Department of, Public Health Service, National Library of Medicine, Bethesda, Maryland . . . . .	529
Health, Education, and Welfare, Department of, Public Health Service, Region V Office, Chicago, Illinois (Research Foundation Contract/Grant) . . . . .	352
Health, Education, and Welfare, Department of, Region V, OHD, Office of Rehabilitation Services, Chicago, Illinois . . . . .	45, 183, 239
Health, Education, and Welfare, Department of, Region V, Public Health Service, Chicago, Illinois . . . . .	278
Health, Education, and Welfare, Department of, Social and Rehabilitation Service, Administration on Aging, Bethesda, Maryland . . . . .	163
Health, Education, and Welfare, Department of, Social and Rehabilitation Service, Region V, Chicago, Illinois . . . . .	159
Health, Physical Education and Recreation, School of . . . . .	19
Hebbard, Frederick A. and Betty L. (The) Memorial Fund . . . . .	348
Hebbard, Frederick W., (Dr.), Columbus, Ohio (Gift) . . . . .	348
Henry, Jack R. (The), Memorial Fund . . . . .	62
High, Charles F., Foundation, Bucyrus, Ohio . . . . .	287, 420, 536
Hitchcock, Fred A., Columbus, Ohio (Gift) . . . . .	637
Hoag-Wismar Partnership, Cleveland, Ohio . . . . .	70
Hoffman, Charles, Co., Mansfield, Ohio . . . . .	650
Hoffman-LaRoche, Inc., Nutley, New Jersey . . . . .	408
Holiday, William G. (The), Memorial Fund . . . . .	61
Holland College, Charlottetown, Prince Edward Island . . . . .	51
Home Laundry Division of the Association of Home Appliance Manufacturers . . . . .	422
Honorary Degrees . . . . .	268, 393, 516
Hospital Professional Liability Coverage . . . . .	293, 369
Howard, Jess, Electric Co. . . . .	429, 542
Hughes Hall Remodeling . . . . .	426
Hughes, Merrill P., Memorial Scholarship Fund (The) . . . . .	359
Humanities, College of . . . . .	19
Hunter, Robert B., Mr. and Mrs., Piqua, Ohio (Gift) . . . . .	359
I	
Iddings Benevolent Trust (The), Dayton, Ohio . . . . .	355
Igel, George J., & Co., Inc. . . . .	199
Illuminating Engineering Research Institute, New York, New York (Research Foundation Contracts/Grants) . . . . .	404
Improvements Projects for the Handicapped . . . . .	258
Intercollegiate Athletics . . . . .	24, 619
Interior, Department of the, Bureau of Indian Affairs, Sacramento, California . . . . .	278, 349
Interior, U. S. Department of the, Fish and Wildlife Service, Washington, D. C. (Research Foundation Contract/Grant) . . . . .	175
Interior, U. S. Department of the, Washington, D. C. . . . .	192, 193, 252, 636
Interior, U. S. Department of, Fish and Wildlife Service, Bureau of Sport Fish and Wildlife, Washington, D. C. (Research Foundation Contract/Grant) . . . . .	345

Interior Painting--Botany and Zoology, Campbell Hall and Hughes Hall . . . . .	259, 364
International Business Machines Corporation, Columbus, Ohio. . . . .	181, 537
International Nickel Company of Canada, Limited (The), New York, New York . . . . .	194
Inter-University Council of Ohio. . . . .	35
Ives Hall Improvements and Haskett Hall Remodeling . . . . .	257, 427, 644, 645

J

Japan Foundation, Tokyo, Japan . . . . .	165
Johnson Welding Products, Inc., Urbana, Ohio . . . . .	287
Jones, Frederick E., Estate of . . . . .	289, 347
Journalism, School of . . . . .	19
Joyce, Glenna R., Testamentary Trust, Columbus, Ohio. . . . .	286
Justice, United States Department of, Law Enforcement Assistance Administration, Washington, D. C. . . . .	183, 278

K

Kahliff, Margaret W. (Mrs.), Elyria, Ohio (Gift). . . . .	181
Kalis, Chris . . . . .	294, 372, 378
Keates, Richard H., M.D., Columbus, Ohio (Gift) . . . . .	287
Kellogg, W. K., Foundation, Battle Creek, Michigan . . . . .	407
Kettering, Charles F., Foundation, Dayton, Ohio . . . . .	50
Kilman, James W., M.D., Columbus, Ohio (Gift). . . . .	254
Kiplinger Foundation (The), Washington, D. C. . . . .	406
Klassen, Karl P., Chair of Thoracic Surgery (The) . . . . .	289
Knowlton Construction Company, Bellefontaine, Ohio . . . . .	261
Koehring Road Division, Springfield, Ohio . . . . .	405
Kraus, John D., Delaware, Ohio (Gifts). . . . .	407, 637
Kurtz, Ralph W., Mr. and Mrs., Tampa, Florida (Gifts) . . . . .	348, 420

L

Labor, U. S. Department of, Employment and Training Administration, Washington, D. C. (Research Foundation Contract/Grant) . . . . .	630
Labor, U. S. Department of, Manpower Administration, Washington, D. C. (Research Foundation Contract/Grant). . . . .	169
Laborers' District Council of Ohio, Columbus, Ohio. . . . .	254
Lachner, Bernard J., Mrs. and sons, Bernard J. III, Thomas F., and James T. (Gift) . . . . .	424
Lachner, Bernard J., Graduate Fellowship (The). . . . .	424
Lakota Board of Education, West Chester, Ohio . . . . .	629
Lancione, John B. and Elizabeth, Memorial Scholarship Fund (The) . . . . .	289
Lancione, Nelson (Gift). . . . .	289
Larkins, Richard C., Hall. . . . .	608
Law, College of. . . . .	20, 654
Lazarus, F. & R., & Company (The), Columbus, Ohio . . . . .	500
Lease Agreements . . . . .	75, 91, 200, 367, 430
Lecture Room Improvements . . . . .	648
Lehoczky, Paul N., Memorial Fund (The) . . . . .	358
Leukemia Society of America, New York, New York. . . . .	191, 418
Licking County Welfare Department, Newark, Ohio . . . . .	495
Licking - Delaware Manpower Consortium (The Licking County, Ohio Commissioners), Newark, Ohio. . . . .	242

Licking Economics Action Development Study, Newark, Ohio . . . . .	350
Lilly, Eli, and Company, Indianapolis, Indiana . . . . .	253, 287
Lima Campus . . . . .	26, 619
Lima Campus, Phase IV . . . . .	91
Lincoln and Morrill Towers . . . . .	655
Lincoln Tower Alterations . . . . .	91
Lonz, George F., Foundation, Middle Bass, Ohio . . . . .	194, 348, 637
Lubrizol Foundation (The), Cleveland, Ohio . . . . .	288
Lybrand Foundation, New York, New York . . . . .	636

M

M & P Construction Co. . . . .	648
Machinsky, F. C., Mrs. (Gift) . . . . .	407
MacQuigg Laboratory--Replacement of Arcade Ceiling . . . . .	541
Madison Public Schools, Madison, Wisconsin . . . . .	185
Major Medical Insurance Benefits . . . . .	293
Major Medical Insurance Program Benefits . . . . .	371
Mall Completions - University Hall and North Oval Areas . . . . .	425
Mansfield Campus . . . . .	26, 619
Mansfield Campus, Physical Education Building, Phase V . . . . .	196, 505, 650, 651
Mansfield Campus, Physical Education Building, Phase V (Learning Resources Center and Technical Education Laboratory) . . . . .	197
Mansfield O.S.U. Campus Fund, Mansfield, Ohio . . . . .	288
Mansfield O.S.U. Campus Fund, Mansfield University Foundation, Inc. Mansfield, Ohio . . . . .	194
Marion Campus . . . . .	26, 488, 619
Markwood, Phillip, Architects, Inc., Columbus, Ohio . . . . .	503
Marr, Knapp & Crawfis . . . . .	196
Mason & Isabel, Inc., Columbus, Ohio . . . . .	74
Masonry Repairs, Exterior, 1975 . . . . .	91
Massachusetts Department of Correction, Boston, Massachusetts . . . . .	350
Mathematics and Physical Sciences, College of . . . . .	19
Mavis, Grace B., Estate of, New Haven, Connecticut . . . . .	407, 637
McGean, Ralph L. (Gift) . . . . .	194
McGraw, Max, Wildlife Foundation, Dundee, Illinois . . . . .	285
McMillin Observatory Demolition . . . . .	544
McPherson Chemistry Laboratory and Smith Laboratory--Interior Lighting Improvements . . . . .	363, 542
Means Hall--Renovation of Second Floor East . . . . .	199, 200
Medicine, College of . . . . .	20, 654
Meetings, Notice of . . . . .	335
Mendelson, Louis H., M. D., '23 Award Fund . . . . .	539
Merck & Company, Inc., Rahway, New Jersey . . . . .	420, 537
Merck Company Foundation (The), Rahway, New Jersey . . . . .	194
Merrell-National Laboratories, Division of Richardson-Merrell, Inc., Cincinnati, Ohio . . . . .	253, 355
Michigan State University, East Lansing, Michigan . . . . .	413, 414
Midwest Universities Consortium for International Activities, Inc. (The), Champaign, Illinois . . . . .	349
Midwest Universities Consortium for International Activities, Inc., Michigan State University, East Lansing, Michigan . . . . .	350, 629
Milwaukee Public Schools, Milwaukee, Wisconsin . . . . .	185
Ministry of Education, Imperial Government of Iran, Tehran, Iran . . . . .	242, 629
Mitchell, Edwin L. . . . .	511

Modern Language Association of America, Columbia, South Carolina . . . . .	419
Moffitt, Melvin E., Estate of, San Antonio, Texas. . . . .	181, 347, 407, 637
Mollenauer Painting Company. . . . .	364
Monet, Inc. . . . .	646
Monks, W. E., and Company, Columbus, Ohio . . . . .	362
Morningstar Company, Aspen, Colorado. . . . .	288
Morrill, James Lewis . . . . .	488, 510
Morrill, James Lewis, Hall. . . . .	488
Morris Animal Foundation, Denver, Colorado. . . . .	418
Morris, Philip, Research Center, U.S.A., Richmond, Virginia . . . . .	536
Morris Sheet Metal, Inc. . . . .	644, 647, 648
Moulenbelt and Seifert, Engineers, Dayton, Ohio . . . . .	361
Moxley, John F., Medina, Ohio (Gift). . . . .	406
Moynihan, Daniel Patrick . . . . .	517, 519, 521, 522
Muetzel Plumbing . . . . .	644, 647
Mullet, Emanuel E., Berlin, Ohio (Gift). . . . .	288
Muma, Sidney, and Helen Muma (Sale of Property) . . . . .	369
Muscular Dystrophy Association of America, New York, New York. . . . .	58, 178
Music Addition and Hayes Hall Renovation . . . . .	72
Music, School of . . . . .	19
Mutual of Omaha . . . . .	653

N

Named Chairs . . . . .	289
Named Professorships . . . . .	334, 489
Naming of Buildings . . . . .	488, 523, 608
Naming of University Buildings. . . . .	334
Natatorium and Physical Education Buildings (Recreation, Physical Education, Intramural Facility). . . . .	608
National Advisory Council on Vocational Education, Washington, D. C. . . . .	495
National Aeronautics and Space Administration, Greenbelt, Maryland . . . . .	533
National Aeronautics and Space Administration, Washington, D. C. . . . .	493
National Aeronautics and Space Administration, Washington, D. C. (Research Foundation Contract/Grant). . . . .	351
National Aeronautics and Space Administration, Ames Research Center, Moffett Field, California . . . . .	57, 187, 345
National Aeronautics and Space Administration, George C. Marshall Space Flight Center, Huntsville, Alabama . . . . .	246
National Aeronautics and Space Administration, Goddard Space Flight Center, Greenbelt, Maryland. . . . .	56, 246, 283, 351, 533, 534
National Aeronautics and Space Administration, Langley Research Center, Hampton, Virginia . . . . .	52, 173, 351, 497
National Aeronautics and Space Administration, Lewis Research Center, Cleveland, Ohio. . . . .	55, 534
National Association for Foreign Student Affairs, Washington, D. C. . . . .	630
National Council of Physical Distribution Management, Inc., Chicago, Illinois . . . . .	407
National Council of Teachers of Mathematics, Reston, Virginia . . . . .	248
National Endowment for the Humanities, Washington, D. C. . . . .	172, 186, 403, 496, 497, 532, 633
National Geographic Society, Washington, D. C. . . . .	354, 636
National Institute of Law Enforcement and Criminal Justice, Washington, D. C. . . . .	45
National Institute of Law Enforcement and Criminal Justice, Law Enforcement Assistance Administration, Department of Justice, Washington, D. C. (Research Foundation Contracts/ Grants) . . . . .	244, 246

National Joint Painting, Decorating and Drywall Apprenticeship and Training Committee, Washington, D. C. . . . .	413
National Machinery Foundation, Inc., Tiffin, Ohio . . . . .	348
National Multiple Sclerosis Society, New York, New York . . . . .	178
National Science Foundation, Washington, D. C. . . . .	183, 278, 279, 493
National Science Foundation, Washington, D. C. (Research Foundation Contracts/Grants) . . . . .	52-56, 171-173, 175, 176, 186, 188, 247, 280-282, 284, 343, 344, 351, 352, 402, 403, 415-417, 496-498, 531-534, 630-634
National Steel Corporation, Weirton, West Virginia . . . . .	355
National Training Fund, Washington, D. C. . . . .	629
Natural Resources, School of . . . . .	19
Naval Regional Procurement Office, Long Beach, California (Research Foundation Contract/Grant). . . . .	634
Navy, Department of the, Commander Naval Weapons Center, China Lake, California (Research Foundation Contract/Grant). . . . .	187
Navy, Department of the, Naval Air Development Center, Warminster, Pennsylvania (Research Foundation Contract/Grant) . . . . .	188
Navy, Department of the, Naval Air Systems Command, Washington, D. C. (Research Foundation Contract/Grant). . . . .	352
Navy, U. S. Department of the, Naval Regional Procurement Office, Long Beach, California (Research Foundation Contract/Grant) . . . . .	55
Navy, U. S. Department of the, Naval Undersea Center, San Diego, California (Research Foundation Contract/Grant) . . . . .	55
Navy, Department of the, Office of Naval Research, Arlington, Virginia (Research Foundation Contracts/Grants) . . . . .	173, 175, 176, 189, 352, 402, 415, 417, 532, 533, 535, 631
Neighbor, John C. and Roberta L. (Sale of Property) . . . . .	208, 369
Newark Branch Campus-Phase III. . . . .	71
Newark Campus . . . . .	26, 619
NOBA, Inc. . . . .	182, 500
Norris, Ralph B., Ophthalmology Fund (The). . . . .	641
North Central Regional Center for Rural Development, Iowa State University of Science and Technology, Ames, Iowa . . . . .	243, 530
North Recreation Center, 2151 Neil Avenue. . . . .	523
North Ridgeville City Schools, North Ridgeville, Ohio . . . . .	414
Northern Michigan University, Marquette, Michigan . . . . .	279
Nursing, School of. . . . .	19

O

Office of Business and Administration . . . . .	153
Ohio Advisory Council for Vocational Education, Columbus, Ohio . . . . .	51
Ohio Contractors Association, Columbus, Ohio . . . . .	254
Ohio Electric Utility Institute (The), Columbus, Ohio . . . . .	287, 406, 536
Ohio Florists Association, Columbus, Ohio. . . . .	253
Ohio Fuel Gas Company . . . . .	429
Ohio Harness Horsemen's Association, Inc., Painesville, Ohio . . . . .	420
Ohio High School Athletic Association, Columbus, Ohio . . . . .	418
Ohio Lions Eye Research Foundation, Springfield, Ohio . . . . .	253
Ohio Medical Professional Liability Underwriting Association (The). . . . .	369
Ohio Power Company - Newark Campus. . . . .	430
Ohio Program in the Humanities, Columbus, Ohio . . . . .	51, 530
Ohio Program in the Humanities, Columbus, Ohio (Research Foundation Contracts/Grants) . . . . .	59, 179, 404
Ohio Real Estate Commission, Division of Real Estate, Columbus, Ohio . . . .	349, 400, 628



Ohio Stadium Repairs--1975 . . . . . 74, 75

Ohio - State of, Board of Regents, Columbus, Ohio . . . . . 292, 494

Ohio - State of, Bureau of Employment Services, Columbus, Ohio . . . . . 345

Ohio - State of, Department of Administrative Services, Office of  
Manpower Development, Columbus, Ohio . . . . . 404

Ohio - State of, Department of Economic and Community Development,  
Administration of Justice Division, Columbus, Ohio . . . . . 176

Ohio - State of, Department of Education, Columbus, Ohio . . . . . 50, 341, 494, 530

Ohio - State of, Department of Education, Division of Federal  
Assistance, Columbus, Ohio . . . . . 50

Ohio - State of, Department of Education, Division of Special  
Education, Worthington, Ohio . . . . . 400

Ohio - State of, Department of Education, Division of Vocational  
Education, Columbus, Ohio . . . . . 164, 184, 240-242, 400

Ohio - State of, Department of Health, Columbus, Ohio . . . . . 164, 184, 349

Ohio - State of, Department of Health, Columbus, Ohio (Research  
Foundation Contracts/Grants) . . . . . 177, 178, 190, 346, 635

Ohio - State of, Department of Mental Health and Mental  
Retardation, Columbus, Ohio . . . . . 49, 50, 177, 190, 341

Ohio - State of, Department of Natural Resources, Columbus, Ohio . . . . . 50

Ohio - State of, Department of Natural Resources, Division  
of Wildlife, Columbus, Ohio . . . . . 50, 241

Ohio - State of, Department of Rehabilitation and Correction, Columbus, Ohio . . . . . 498

Ohio - State of, Department of Transportation, Columbus,  
Ohio . . . . . 59, 60, 179, 180, 193, 252, 286, 354

Ohio - State of, Office of Attorney General, Columbus, Ohio . . . . . 400

Ohio - State of, Ohio Arts Council, Columbus, Ohio . . . . . 165

Ohio - State of, Ohio Commission on Aging, Columbus, Ohio . . . . . 353

Ohio - State of, Public Utilities Commission, Columbus, Ohio . . . . . 354, 419

Ohio - State of, Rehabilitation Services Commission, Columbus, Ohio . . . . . 164

Ohio State University (The), Columbus, Ohio . . . . . 286, 419

Ohio State University Development Fund (The) . . . . . 155, 276, 397

Ohio State University Hospitals (The) . . . . . 25, 618

Ohio State University (The), Office of Physical Facilities, Columbus, Ohio . . . . . 60

Ohio State University Research Foundation (The) . . . . . 24, 154, 275, 397, 618

Ohio Turfgrass Foundation, Columbus, Ohio . . . . . 194

Ohio Valley Health Services Foundation, Inc., (The), Athens, Ohio . . . . . 58

Oklahoma Advisory Council, Vocational Education, Oklahoma City, Oklahoma . . . . . 629

Optometry, College of . . . . . 20, 654, 655

P

Page Southerland Page, Austin, Texas . . . . . 197, 261

Palmer, Charles C., Trust Under the Will of, Wilmington, Delaware . . . . . 60

Parking Facilities . . . . . 619

Parma City School District, Parma, Ohio . . . . . 629

Parrett, Katherine E., Scholarship Fund . . . . . 409

Parrett, Katherine E., Trust, Washington Court House, Ohio . . . . . 409

Penney, J. C., Company, Inc., New York, New York . . . . . 400

Peppe, Mike, Aquatic Center . . . . . 608

Petroleum Research Fund (The), Washington, D. C. . . . . 498, 536

Pfizer, Inc., Groton, Connecticut . . . . . 420

Pfizer, Inc., New York, New York . . . . . 254

Pharmaceutical Manufacturers Association Foundation, Inc., (The)  
Washington, D. C. . . . . 420

Pharmacy Addition . . . . . 71

Pharmacy, College of . . . . .	19
Phi Beta Psi Sorority, Bradenton, Florida . . . . .	288
Phi Delta Kappa, Bloomington, Indiana . . . . .	181
Photovolt Corporation, New York, New York . . . . .	406
Picker Corporation, Northford, Connecticut . . . . .	499
Pierce Chemical Company, Rockford, Illinois . . . . .	346
Piqua City Schools, Piqua, Ohio . . . . .	279
Pitman-Moore, Inc., Washington Crossing, New Jersey . . . . .	254, 500
Plans and Specifications . . . . .	74, 198, 259, 290, 362, 363, 426, 427, 505, 540, 541, 643
Polo Field Parking Lot Expansion . . . . .	199
Pomerene, Warner M. (Mr. and Mrs.) Coshocton, Ohio . . . . .	60
Pomerene, Warner M. and Lora Kays, Professorship in Medicine (The) . . . . .	334
Porthouse Foundation (given in the names of Roberta A. Benich, Mr. and Mrs. Cyril Porthouse and Mr. and Mrs. J. David Porthouse), Kent, Ohio . . . . .	408
Powelson, Harry C., Estate of, Zanesville, Ohio . . . . .	500
Powelson, Harry C. and Mary Elizabeth (The), Professorship of Medicine . . . . .	489
PPG Industries Foundation, Pittsburgh, Pennsylvania . . . . .	60, 500
President's Salary . . . . .	92
Pressey, Sidney L., Columbus, Ohio (Gift) . . . . .	535
Procter & Gamble Company (The), Cincinnati, Ohio . . . . .	60, 177, 181, 253, 284, 537, 637
Products Research Committee, Washington, D. C. . . . .	499
Proposed Initiatives Concerning Expanded Opportunity for Women and Minorities . . . . .	27
Public Utilities Commission of Ohio, Columbus, Ohio . . . . .	180

Q

Quarantelli, Ugo, Mr. and Mrs., LaSpezia, Italy . . . . .	348
---	-----

R

Rachelwood Wildlife Research Preserve, Pittsburgh, Pennsylvania . . . . .	418
Racing Research Fund, Inc., (The), Lexington, Kentucky . . . . .	194
Randolph, John W., M.D., Atlantis, Florida (Gift) . . . . .	355
Reeb, R. H., Plumbing & Piping Co., Columbus, Ohio . . . . .	199, 649
Reese, Everett D., Fund of the Columbus Foundation, Columbus, Ohio . . . . .	409
Refractories Institute (The), Pittsburgh, Pennsylvania . . . . .	347, 500
Regents of the University of Colorado (The), Denver, Colorado . . . . .	178, 404
Regional Campuses . . . . .	24
Report on Enrollment . . . . .	261
Report on the University's Investment Portfolio . . . . .	92, 209, 262, 292, 372, 438, 510, 545, 656
Research Center--Roof Repairs . . . . .	74, 260
Research Center--Roof Repair (Phase II) . . . . .	541
Research Foundation of State University of New York (The), Albany, New York . . . . .	418
Resident and Non-Resident Student Status for Tuition Surcharge Purposes, Rule Governing . . . . .	148, 523
Resler, Jack and Eleanor, Dean's Fund (The) . . . . .	255
Resler, Jack S. (Mr. and Mrs.), Columbus, Ohio (Gift) . . . . .	255
Riley, James R., Worthington, Ohio (Gift) . . . . .	407
Rohm and Haas Company, Philadelphia, Pennsylvania . . . . .	254
Ross, Ed, Construction Co. . . . .	507
Ross, Richard M., Columbus, Ohio (Gift) . . . . .	406
Rotary Club (The), Columbus, Ohio . . . . .	629

Royal Electric Construction Co. . . . .	646
Rudolph-Libbe Company, Wallbridge, Ohio . . . . .	291
<i>Rules of the University Faculty</i> . . . . .	31, 144, 146, 147, 384-386, 605-608

S

Sale of Property . . . . .	92, 208, 369
Salinas Union High School District, Salinas, California . . . . .	242
Salsbury, J. E., Foundation (Dr.), Charles City, Iowa . . . . .	254
Sandoz-Wander, Inc., East Hanover, New Jersey . . . . .	418
Santo, Mary, Memorial Scholarship Fund (The) . . . . .	410
Saunders, Melville S., Estate of, Toronto, Canada . . . . .	286
Savage, James E. and Donna M. (Gift). . . . .	411
Savage, James E. and Donna M., Scholarship Fund (The) . . . . .	411
Sayre Charitable Trust of the Columbus Foundation . . . . .	637
School District of Philadelphia (The), Philadelphia, Pennsylvania . . . . .	494
Schooley Cornelius Associates, Columbus, Ohio . . . . .	258
Schultz, L. J., & Company, Inc., Cleveland, Ohio . . . . .	181
Schwartzwalder, Karl, Estate of, Flint, Michigan . . . . .	347
Scioto-Darby City School District, Hilliard, Ohio . . . . .	350
Scott, Louise Orr, Foundation, Columbus, Ohio . . . . .	347, 636
Sears, Roebuck Foundation (The), Chicago, Illinois . . . . .	243
Shaffstall, Everett L., Indianapolis, Indiana (Gift). . . . .	356
Shaffstall, Everett L., Engineering Scholarship Fund. . . . .	356, 637
Shell Companies Foundation, Houston, Texas . . . . .	347
Shocknessy, James W. . . . .	230
Shortz, Gerald K., M. D., Manslapan, Florida (Gift) . . . . .	355
Sills, Philip, Riverdale-on-Hudson, New York (Gift) . . . . .	60, 288
Skilken, Joseph & Helen, Foundation (The) (given in the name of Steven A. Skilken), Columbus, Ohio . . . . .	500
Sloan, Alfred P., Foundation, New York, New York . . . . .	629
Small Business Administration, Washington, D. C. . . . .	239, 341, 530
Smith Electric . . . . .	200
Smith, Mary M. (Mrs.), Sandusky, Ohio (Gift) . . . . .	60
Smith, Wayne E. and Mildred K., Endowment Fund. . . . .	642
Social and Behavioral Sciences, College of. . . . .	19
Social Work, College of . . . . .	604
Social Work, School of . . . . .	19, 604
South Recreation Center, 175 West Eleventh Avenue . . . . .	523
Southwest Oncology Group, Kansas City, Kansas . . . . .	248, 535
Speck, Doctors M. Henry and Myron E., Fund . . . . .	357
Speck, M. Henry (Dr.), Youngstown, Ohio, and Speck, Myron E. (Dr.), Cleveland, Ohio (Gift). . . . .	357
Speer, Julian, Company. . . . .	259, 364, 507, 646
Spencer, John W., & Associates, Inc., Columbus, Ohio . . . . .	73
Sperry Flight System, Phoenix, Arizona . . . . .	409
Sptler, Alice K., Estate of, Dayton, Ohio . . . . .	182
Squire, Sanders & Dempsey. . . . .	367
Stallkamp, Pamela J. and Todd C. (The), Scholarship Fund . . . . .	63
State, Department of, Supply and Transportation Division, Washington, D. C. . . . .	631
<i>Statutes Applying to the University, Bylaws of the Board of Trustees,     and Rules of the University Faculty</i> . . . . .	333
Stephenson, Edward C. and Hazel L., Foundation (The), Grosse Pointe Woods, Michigan . . . . .	406
Stokes, C. Howard, Estate of, Cleveland, Ohio . . . . .	181

Student Health Insurance Contract . . . . .	653
Student Health Service . . . . .	24, 619
Student Unions . . . . .	24, 619
Sunshine Law . . . . .	208, 211, 230, 335
Superior Roofing Company, Columbus, Ohio . . . . .	260, 543
Surington, Cyril T., M.D., Westerville, Ohio (Gift) . . . . .	420
Swine Evaluation Station, Storage Building, 3485 Case Road . . . . .	428, 651
Switzer, Ted W. . . . .	510
Syracuse University, Syracuse, New York . . . . .	635

T

Taft Broadcasting Company . . . . .	91
Taft Broadcasting Tower Lease . . . . .	91
Taylor, Fred R., Scholarship Fund (The) . . . . .	539
Technical Systems, Inc., St. Paul, Minnesota . . . . .	414
Temple University, Philadelphia, Pennsylvania . . . . .	165, 191
Temporary Veterinary Clinic Remodeling . . . . .	504
Tennis Courts - Additional . . . . .	426
The Arts, College of . . . . .	19
Theis, Rick . . . . .	294
Tickets, Conditions for Sale of . . . . .	523
Traffic Improvements/Cannon Drive Improvements . . . . .	70
Transfer of Earned Indirect Costs . . . . .	65
Transfers to Plant Funds . . . . .	68
Transportation, Department of, Federal Aviation Administration, Washington, D. C. . . . .	52, 365
Transportation, Department of, Federal Highway Administration, Washington, D. C. . . . .	52, 189, 351
Transportation Research Center of Ohio . . . . .	292
Transportation, U. S. Department of, National Highway and Traffic Safety Administration, Washington, D. C. . . . .	168
Trapp, Mary Ann, Columbus, Ohio (Gift) . . . . .	182
Trapp, Mary Ann, Scholarship Fund in Architecture (The) . . . . .	182
Travel, Reimbursement for . . . . .	335

U

Union Carbide Corporation, Ashtabula, Ohio . . . . .	537
Union Carbide Corporation, Oak Ridge, Tennessee . . . . .	535
United Sheet Metal Division of United McGill Corporation, Westerville, Ohio . . . . .	499
U. S. Civil Service Commission, Dallas Region, Dallas, Texas . . . . .	57
U. S. Civil Service Commission, Washington, D. C. . . . .	57, 189, 345
U. S. Department of Agriculture, Peoria, Illinois . . . . .	54
U. S. Department of Agriculture, Forest Service, Upper Darby, Pennsylvania . . . . .	56
U. S. Department of Commerce, National Oceanic and Atmospheric Administration, Boulder, Colorado . . . . .	283
U. S. Department of Commerce, National Oceanic and Atmospheric Administration, Rockville, Maryland . . . . .	168
U. S. Department of Justice, Federal Prison Industries, Inc., Education Branch, Washington, D. C. . . . .	159
U. S. Department of Justice, Law Enforcement Assistance Administration, Des Plaines, Illinois . . . . .	164
U. S. Energy Research and Development Administration, Argonne, Illinois . . . . .	53, 281, 284, 345, 531, 532, 631

U. S. Environmental Protection Agency, Chicago, Illinois . . . . .168, 283

U. S. Environmental Protection Agency, Research Triangle Park,  
North Carolina . . . . .170

U. S. Environmental Protection Agency, Washington, D. C. . . . . 53, 167-169, 174, 630

U. S. Nuclear Regulatory Commission, Washington, D. C. . . . .344

U. S. Trotting Association, Columbus, Ohio . . . . .59

University Activities Center. . . . .180, 194, 288, 636

University Airport. . . . .24, 365, 619

University of Alaska, Tundra Biome Center, College, Alaska. . . . .536

University Bookstores. . . . .24, 619

University Budget . . . . .3, 268, 389, 608

University College . . . . .19

University Hall Mall. . . . .541

University Hospitals . . . . .25, 618

University Hospitals--Roof Repairs . . . . .363, 543

University of Maine, College of Education, Orono, Maine. . . . .243

University of Pittsburgh, Pittsburgh, Pennsylvania . . . . .191

University Regional Campuses--Master's Degree Fees . . . . .20

University Regional Campuses--Ph.D. Degree Fees . . . . .20

University Regional Campuses--Undergraduate Fees . . . . .20

University of Wisconsin, Board of Regents, Madison, Wisconsin . . . . .342

Upjohn Company, Kalamazoo, Michigan. . . . .190

Upper Arlington Public Schools, Columbus, Ohio. . . . .495

Utility Tunnel Renovations. . . . .290

Utility Tunnel Renovations (19th Avenue Tunnel) Phase I . . . . .428, 429

Utility Tunnel Renovations (12th and Neil Avenue) Phase II . . . . .643

V

Vasko, John S., M.D., Ashville, Ohio (Gift). . . . .254

Vermont - State of, Department of Education, Vocational-Technical  
Education, Montpelier, Vermont. . . . .342

Veterinary Medicine, College of . . . . .20, 654, 655

Virginia Polytechnic Institute and State University, Blacksburg, Virginia . . . . .191

Vuchnich, Michael N., Toronto, Ontario, Canada (Gift) . . . . .409

W

Waller, Adolph E., Estate of, Columbus, Ohio. . . . .194

Waller, Adolph E., Memorial Lectures. . . . .194

Waller & Lund, Inc. . . . .199

Walter, William A., Columbus, Ohio (Gift) . . . . .288

Wandel & Schnell, Columbus, Ohio. . . . .257

Washburn, Grace High, Trust (The), Bucyrus, Ohio. . . . .287, 420, 537

Weaver, Elaine Knowles, Endowment Fund . . . . .422

Weithman Brothers, Inc., Galion, Ohio . . . . .650

Weller, Helen H. (Mrs.) (Gift) . . . . .60

West Recreation Center, 1031 Carmack Road. . . . .523

Weyerhaeuser Company, Tacoma, Washington . . . . .420, 500

Whirlpool Corporation, Benton Harbor, Michigan. . . . .253

Whitcomb, Jon (Gift) . . . . .254

White Brothers Sand, Inc., Toledo, Ohio. . . . .190, 285

Wildermuth, E. F., Foundation (The), Columbus, Ohio . . . . .406

Wolfe Associates, Inc., Columbus, Ohio . . . . .194, 500

Women and Minorities, Proposed Initiatives Concerning	
Expanded Opportunity for . . . . .	27
Women's Resource and Policy Development Center (The), Academy	
for Contemporary Problems, Columbus, Ohio. . . . .	51
Woodbury, Ethel, Trust, Columbus, Ohio . . . . .	407
World Health Organization, Geneva, Switzerland . . . . .	342, 414
World Health Organization, 1211 Geneva 27, Switzerland	
(Research Foundation Contracts/Grants) . . . . .	59, 190, 248, 498
WOSR - FM License for Station . . . . .	652
Wright Airlines . . . . .	261, 295
Wright, Keske, Kritschgau, Rosen, Buchanan, Inc., Columbus, Ohio. . . . .	257
Wright Patterson Graduate Center . . . . .	26, 619
WTVN - Broadcasting Tower Lease . . . . .	91
WTVN - Radio. . . . .	365

X--Y--Z

X-F Electrical Contractors. . . . .	645
Yassenoff Foundation, Inc. (Purchase of Buildings and Property). . . . .	509
Yassenoff Foundation, Inc. (The), Columbus, Ohio . . . . .	253
Young, M. A., Foundation (given in the name of Maurice A. Young),	
Youngstown, Ohio . . . . .	637
Zarbaugh and Associates, Columbus, Ohio . . . . .	645
Zaugg, Oling, Zaugg. . . . .	197
Ziebold, Edna, Estate of, San Diego, California. . . . .	253